

# HIDROMEK®

EKSKAVATÖR  
EXCAVATOR

**HMK 140W3**



## YEDEK PARÇA KATALOĞU SPARE PARTS CATALOG

SERİ NO / SERIAL NO : E120101- ISUZU  
BASKI TARİHİ / EDITION DATE : 17.04.2015  
KATALOG NO / CATALOG NO : H207322300



# ÖNSÖZ

HMK Ekskavatör İş Makinasını tercih ettiğiniz için teşekkür ederiz.

İyi bir servis hizmeti ve doğru parça seçimi için kataloğun kapsamı ile ilgili aşağıda belirtilen açıklamaları okuyunuz ve anlayınız.

## No

Gösterilen parçanın poz numarasını verir.

## Parça No

Resimde gösterilen parçaların parça numarasını gösterir.

## Parça Adı

Parçanın adını gösterir.

## Adet

Parçanın o sayfada yer alan gruptaki kullanım adedini gösterir.

## SK

Servis kodu kolonunda yer alan kısaltmaların aşağıda gösterildiği gibi kendilerine ait anlamları vardır.

K	→	Parçanın kit içinde yer aldığı anlamına gelir. Kitin içinde yer alan parçalar teker teker tedarik edilemez.
OP	→	Opsiyonel parça
NSP	→	Servis parçası değil.
S	→	Set. Set içinde yer alan parçalar teker teker tedarik edilebilir.

## Başlangıç Seri No (Bas. S. N.)

Parçanın kullanıldığı makinenin başlangıç seri numarasını gösterir.

Örneğin; 9134501 - → gösterilen parça 9134501'den itibaren kullanılmıştır.

## Bitiş Seri No (Bit. S. N.)

Parçanın kullanıldığı makinenin başlangıç seri numarasını gösterir.

Örneğin; - B134124 → gösterilen parça B134124'e kadar kullanılmıştır.

## Yerine Kullanım (Y. Kul.)

Parçaların birbirleri yerine kullanılabilirliğini ifade eder.

- A → Birbirlerinin yerine kullanılabilirler. (eski parça ↔ yeni parça)
- B → Biri diğerinin yerine kullanılabilir. (eski parça → yeni parça)
- C → Biri diğerinin yerine kullanılabilir. (eski parça ← yeni parça)
- D → Birbirlerinin yerine kullanılamaz. (eski parça – yeni parça)

## Not

Parçaların tanımlarında yer almayan açıklamaları gösterir.

## PREFACE

We would like to thank you for purchasing Excavator Construction Equipment.

For satisfactory service and selection of correct part, read and understand instructions as shown below.

### No

This indicates the indicating number of part.

### Part No

It shows the part number of the parts which are included in an illustration.

### Description

It shows the name of the part.

### Q'ty

It shows the quantity use of part for the group that was illustrated on page.

### SC

Abbreviations on service code column have their own meaning as show below.

- K → This means that the part is contained in the kit. Parts are given with KIT, can not be supplied individually.
- OP → Optional part
- NSP → Non service part.
- S → Set. Parts are given with set, can be supplied individually.

### Serial Number From (S./N. From)

It shows the machine serial number in which the parts are used.

For example; 9134501 - → the part that is shown in illustration was used from 9134501.

### Serial Number From (S./N. To)

It shows the machine serial number in which the parts are used.

For example; - B134124 → the part that is shown in illustration was used to D134501.

### ICA

This indicates the interchangeability of the parts between a new one and old one.

- A → Mutual interchangeability (old part ↔ new part)
- B → One way interchangeability (old part → new part)
- C → One way interchangeability (old part ← new part)
- D → No interchangeability (old part – new part)

### Note

It shows explanations, which are not given in description



## KISALTMALAR / ABBREVIATIONS

KISALTMA/ABBREVIATION	AÇIKLAMA	DESCRIPTION
&	VE	AND
A/C		AIR CONDITIONER
A.K.V.	ANA KUMANDA VALFİ	
AM		ARM
AR		AS REQUIRED
ASS'Y		ASSEMBLY
BKT		BUCKET
BM		BOOM
FR	FRANSIZCA	
HYD.		HYDRAULIC
ISP	İSPANYOLCA	
İNG	İNGİLİZCE	
JY	JOYSTICK	
K	KİT	KIT
K.M.	KAYNAKLI MONTAJ	
LH		LEFT HAND
LR		LONG REACH
M.C.V.		MAIN CONTROL VALVE
OP	OPSİYONEL	OPTINAL
PORT	PORTEKİZCE	
REV.	REVİZYON	REVISION
RH		RIGHT HAND
RUS	RUSÇA	
S	SET	SET
STD	STANDART	STD
SW		SWING
TR	TÜRKÇE	
TRV		TRAVEL
W.A.		WELDING ASSEMBLY



## İÇİNDEKİLER / CONTENTS

<b>A</b>	<b>MOTOR SİSTEMİ</b>	<b>ENGINE SYSTEM</b>
A010.00.01	MOTOR MONTAJI	ENGINE MOUNTING
A020.00.01	HAVA EMİŞ SİSTEMİ	AIR INTAKE SYSTEM
A030.00.01	EGZOZ MONTAJI	EXHAUST MOUNTING
A040.00.01	SOĞUTMA SİSTEMİ	COOLING SYSTEM
A050.00.01	RADYATÖR KOMPLESİ	RADIATOR ASS'Y
A060.00.01	YAKIT SİSTEMİ	FUEL SYSTEM
A070.00.01	ÖN YAKIT FİLTRESİ MONTAJI (OP)	PRE-FUEL FILTER ASS'Y (OP)
A080.00.01	YAKIT TRANSFER POMPASI MONTAJI	FUEL FEED PUMP ASS'Y
A090.00.01	KLİMA VE KALORİFER MONTAJI	AIRCONDITION AND HEATER MOUNTING
A100.00.01	KLİMA VE KALORİFER ÜNİTESİ	AIRCONDITION AND HEATER UNIT
<b>B</b>	<b>ŞAŞI VE KAPORTA</b>	<b>FRAME &amp; COWLING</b>
B010.00.01	ÜST ŞAŞI VE ALT KAPAK MONTAJI	UPPER FRAME AND UNDER COVER MOUNTING
B015.00.01	ARKA AĞIRLIK MONTAJI	COUNTER WEIGHT MOUNTING
B030.00.01	KAPAK SACI, FİBER KAPAK VE KORKULUK MONTAJI	COVERS & STAY MOUNTING
B040.00.01	YÜRÜME SAÇLARI	ANTI-SLIP WALKWAY
B050.00.01	KAPORTA MONTAJI, SAĞ	COWLING ASS'Y, RH
B060.00.01	KAPI MONTAJI, SAĞ	DOOR MOUNTING, RH
B070.00.01	KAPORTA MONTAJI, SOL	COWLING ASS'Y, LEFT
B080.00.01	KAPI MONTAJI, SOL	DOOR MOUNTING, LH
B090.00.01	KAPORTA MONTAJI, A.K.V.	COWLING ASS'Y, M.C.V.
B100.00.01	MOTOR KAPUT MONTAJI	ENGINE HOOD MOUNTING
B110.00.01	DEPO KAPAK MONTAJI	TANK COVER MOUNTING
B120.00.01	ALT ŞAŞI MONTAJI	LOWER FRAME MOUNTING
B180.00.01	DOZER BIÇAĞI MONTAJI	DOZER BLADE MOUNTING
B200.00.01	AYAK MONTAJI	OUTRIGGER MOUNTING
<b>C</b>	<b>KABİN</b>	<b>OPERATOR CAB</b>
C010.00.01	KABİN VE BAĞLANTI TAKOZLARI	CAB AND CAB MOUNTING
C010.00.01	KABİN VE BAĞLANTI TAKOZLARI	CAB AND CAB MOUNTING
C010.00.01	KABİN VE BAĞLANTI TAKOZLARI	CAB AND CAB MOUNTING
C020.00.01	KAPILAR	DOORS
C020.00.01	KAPILAR	DOORS
C030.00.01	CAMLAR	WINDOWS
C030.00.01	CAMLAR	WINDOWS
C040.00.01	KABİN DONANIMI	CAB ACCESSORIES
C040.00.01	KABİN DONANIMI	CAB ACCESSORIES
C050.00.01	KONSOL MONTAJI, ÖN	CONSOLE ASS'Y, FRONT
C050.00.01	KONSOL MONTAJI, ÖN	CONSOLE ASS'Y, FRONT
C060.00.01	KONSOL MONTAJI, ARKA	CONSOLE ASS'Y, REAR
C060.00.01	KONSOL MONTAJI, ARKA	CONSOLE ASS'Y, REAR
C070.00.01	KONSOL MONTAJI, SAĞ	CONSOLE ASS'Y, RH
C080.00.01	KONSOL MONTAJI, SOL	CONSOLE ASS'Y, LH
C090.00.01	OPERATÖR KOLTUK MONTAJI	OPERATOR SEAT MOUNTING
C100.00.01	OPERATÖR KOLTUK KOMPLESİ	OPERATOR SEAT ASS'Y
C110.00.01	PLATFORM MONTAJI	PLATFORM ASS'Y
C120.00.01	KABİN ÜST KORUMA MONTAJI, FOPS II (OP)	ROOF GUARD MOUNTING, FOPS II (OP)
C120.00.01	KABİN ÜST KORUMA MONTAJI, FOPS II (OP)	ROOF GUARD MOUNTING, FOPS II (OP)

## İÇİNDEKİLER / CONTENTS

C130.00.01	KABİN KORUMA MONTAJI, FOGS (OP)	GUARD MOUNTING, FOGS (OP)
C130.00.01	KABİN KORUMA MONTAJI, FOGS (OP)	GUARD MOUNTING, FOGS (OP)
C130.01.01	ÖN CAM KORUYUCU MONTAJI ,TAŞ VE MICİR İÇİN (OP)	FRONT GUARD MOUNTING, FOR STONES & DEBRIS (OP)
C130.01.01	ÖN CAM KORUYUCU MONTAJI ,TAŞ VE MICİR İÇİN (OP)	FRONT GUARD MOUNTING, FOR STONES & DEBRIS (OP)
C130.02.01	ÖN CAM KORUYUCU MONTAJI, İKİ PARÇALI (OP)	FRONT GUARD MOUNTING, TWO PIECES (OP)
C140.00.01	DİREKSİYON KOLONU	STEERING COLUMN

<b>D</b>	<b>ATAŞMAN</b>	<b>ATTACHMENT</b>
D010.00.01	BOM MONTAJI	BOOM MOUNTING
D010.01.01	BOM MONTAJI, 2 PARÇALI (OP)	BOOM MOUNTING, 2 PIECES (OP)
D020.00.01	BOM KOMPLESİ (4.6m)	BOOM ASS'Y (4.6m)
D020.01.01	BOM KOMPLESİ, 2 PARÇALI (5.08m)	BOOM ASS'Y, 2 PIECES (5.08m)
D030.00.01	ARM MONTAJI	ARM MOUNTING
D040.00.01	ARM KOMPLESİ (2.3m)	ARM ASS'Y (2.3m)
D040.01.01	ARM KOMPLESİ (2.9m)	ARM ASS'Y (2.9m)
D040.02.01	ARM KOMPLESİ (2.6m)	ARM ASS'Y (2.6m)
D050.00.01	KEPÇE BAĞLANTISI	BUCKET LINKAGE
D060.00.01	KEPÇE, DUAL RADÜS (0.60m³)	BUCKET, DUAL RADIUS (0.60m³)
D060.01.01	KEPÇE, DUAL RADÜS (0.75m³)	BUCKET, DUAL RADIUS (0.75m³)
D060.02.01	KEPÇE, DUAL RADÜS (0.52m³)	BUCKET, DUAL RADIUS (0.52m³)
D060.03.01	KEPÇE, DUAL RADÜS (0.45m³)	BUCKET, DUAL RADIUS (0.45m³)
D060.04.01	KEPÇE, DUAL RADÜS (0.35m³)	BUCKET, DUAL RADIUS (0.35m³)
D060.05.01	KEPÇE, TEMİZLİK (0.6m³)	BUCKET, DITCH CLEANING (0.6m³)
D070.00.01	ÇABUK SÖK-TAK KOMPLESİ (OP)	QUICK COUPLER ASS'Y (OP)
D080.00.01	KIRICI MONTAJI (B140, OP)	BREAKER MOUNTING (B140, OP)
D080.00.02	KIRICI KOMPLESİ (B140, OP)	BREAKER ASS'Y (B140, OP)

<b>E</b>	<b>GÜÇ AKTARMA SİSTEMİ</b>	<b>POWER TRAIN SYSTEM</b>
E010.00.01	GÜÇ AKTARMA MONTAJI	POWER TRAIN MOUNTING
E020.00.01	TEKER VE LASTİK GRUBU (ÇİFT, 9.00/R20)	WHEEL & TIRE GROUP (DOUBLE, 9.00/R20)
E020.01.01	TEKER VE LASTİK GRUBU (TEK, 18.00/R19.5)	WHEEL & TIRE GROUP (SINGLE, 18.00/R19.5)
E020.02.01	TEKER VE LASTİK GRUBU (DOLGU, 10.00/R20)	WHEEL & TIRE GROUP (SOLID, 10.00/R20)
E020.03.01	TEKER VE LASTİK GRUBU (ÇİFT, 10.00/R20)	WHEEL & TIRE GROUP (DOUBLE, 10.00/R20)
E030.00.01	ÖN AKS	FRONT AXLE
E030.00.02	ÖN AKS, AYNA MAHRUTİ	FRONT AXLE, INPUT
E030.00.03	ÖN AKS, DİFERANSİYEL	FRONT AXLE, DIFFERENTIAL
E030.00.04	ÖN AKS, KOVAN PARÇALARI	FRONT AXLE, AXLE CASING PARTS
E030.00.05	ÖN AKS, AKS KOVANI	FRONT AXLE, AXLE CASING
E030.00.06	ÖN AKS, AKS BAŞI	FRONT AXLE, JOINT HOUSING
E030.00.07	ÖN AKS, DİREKSİYON SİLİNDİRİ	FRONT AXLE, STEERING CYLINDER
E030.00.08	ÖN AKS, PLANET DİŞLİ GRUBU	FRONT AXLE, OUTPUT
E040.00.01	ARKA AKS	REAR AXLE
E040.00.02	ARKA AKS, AYNA MAHRUTİ	REAR AXLE, INPUT
E040.00.03	ARKA AKS, DİFERANSİYEL	REAR AXLE, DIFFERENTIAL
E040.00.04	ARKA AKS, KOVAN PARÇALARI	REAR AXLE, AXLE CASING PARTS
E040.00.05	REAR AKS, AKS KOVANI	REAR AXLE, AXLE CASING
E040.00.06	ARKA AKS, DİŞLİ VE TAŞIYICI GRUBU	REAR AXLE, HUB CARRIER
E040.00.07	ARKA AKS, PLANET DİŞLİ GRUBU	REAR AXLE, OUTPUT

## İÇİNDEKİLER / CONTENTS

E050.00.01	ŞANZIMAN	TRANSMISSION
E050.00.02	ŞANZIMAN, TAHRİK GÖVDESİ	TRANSMISSION, INPUT HOUSING
E050.00.03	ŞANZIMAN, GÖVDE	TRANSMISSION, HOUSING
E050.00.04	ŞANZIMAN, ÇOKLU DİSK FRENİ	TRANSMISSION, M-DISK BRAKE
E050.00.05	ŞANZIMAN, KAVRAMA	TRANSMISSION, COUPLING
E050.00.06	ŞANZIMAN, PLANET DİŞLİSİ TAHRİĞİ	TRANSMISSION, PLANETARY DRIVE
E050.00.07	ŞANZIMAN, ÇIKIŞ	TRANSMISSION, OUTPUT
E050.00.08	ŞANZIMAN, VİTES KOLU SENSÖRÜ	TRANSMISSION, GEAR SHIFT SENSOR
E050.00.09	ŞANZIMAN, YAĞLAMA TESİSATI	TRANSMISSION, OIL PIPE
<b>F</b>	<b>HİDROLİK SİSTEM</b>	<b>HYDRAULIC SYSTEM</b>
F010.00.01	HİDROLİK POMPA MONTAJI	HYDRAULIC PUMP MOUNTING
F020.00.01	HİDROLİK TANK MONTAJI	HYDRAULIC TANK ASS'Y
F030.00.01	ÜST ŞAŞI HİDROLİK TESİSATI, ANA	UPPER FRAME HYD. PIPING, BASE
F030.00.02	ÜST ŞAŞI HİDROLİK TESİSATI, ATAÇMAN	UPPER FRAME HYD. PIPING, ATTACHMENT
F030.00.03	ÜST ŞAŞI HİDROLİK TESİSATI, YÜRÜYÜŞ VE DÖNÜŞ	UPPER FRAME HYD. PIPING, TRAVEL&SWING
F040.00.01	DÖNÜŞ VE SIZINTI HATTI HİDROLİK TESİSATI	DRAIN AND RETURN HYD. PIPING
F050.00.02	ALT ŞAŞI HİDROLİK TESİSATI, OSİLYASYON	LOWER FRAME HYDRAULIC PIPING, OSCILATION
F050.00.03	ALT ŞAŞI HİDROLİK TESİSATI, YÜRÜYÜŞ 1	LOWER FRAME HYDRAULIC PIPING, TRAVEL 1
F050.00.04	ALT ŞAŞI HİDROLİK TESİSATI, YÜRÜYÜŞ 2	LOWER FRAME HYDRAULIC PIPING, TRAVEL 2
F050.00.05	ALT ŞAŞI HİDROLİK TESİSATI, DOZER	LOWER FRAME HYDRAULIC PIPING, DOZER
F050.00.06	ALT ŞAŞI HİDROLİK TESİSATI, AYAK	LOWER FRAME HYDRAULIC PIPING, OUTRIGGER
F060.00.03	PİLOT HİDROLİK TESİSATI, ATAÇMAN (1)	PILOT HYD. PIPING, ATTACHMENT (1)
F060.00.04	PİLOT HİDROLİK TESİSATI, ATAÇMAN (2)	PILOT HYD. PIPING, ATTACHMENT (2)
F060.00.05	PİLOT HİDROLİK TESİSATI, AKV	PILOT HYD. PIPING, M.C.V.
F060.00.07	PİLOT VE ŞANZIMAN HİDROLİK TESİSATI (1)	PILOT AND TRANSMISSION HYD. PIPING (1)
F060.00.08	PİLOT VE ŞANZIMAN HİDROLİK TESİSATI (2)	PILOT AND TRANSMISSION HYD. PIPING (2)
F070.00.01	ATAÇMAN TESİSATI (2.3m)	ATTACHMENT PIPING (2.3m)
F070.01.01	ATAÇMAN TESİSATI (2.9m)	ATTACHMENT PIPING (2.9m)
F070.02.01	ATAÇMAN TESİSATI (2.6m)	ATTACHMENT PIPING (2.6m)
F070.03.01	ATAÇMAN TESİSATI (2 PARÇALI BOM, 2.3m)	ATTACHMENT PIPING (TWO PIECES BOOM, 2.3m)
F070.04.01	ATAÇMAN TESİSATI (2 PARÇALI BOM, 2.9m)	ATTACHMENT PIPING (TWO PIECES BOOM, 2.9m)
F080.00.01	TEK ETKİLİ HİDROLİK TESİSATI (2.3m)	SINGLE ACTING HYD. PIPING (2.3m)
F080.01.01	TEK ETKİLİ HİDROLİK TESİSATI (2.6m)	SINGLE ACTING HYD. PIPING (2.6m)
F080.02.01	TEK ETKİLİ HİDROLİK TESİSATI (2.9m)	SINGLE ACTING HYD. PIPING (2.9m)
F080.03.01	TEK ETKİLİ HİDROLİK TESİSATI (2 PARÇALI BOM, 2.3m)	SINGLE ACTING HYD. PIPING (TWO PIECES BOOM, 2.3m)
F090.00.01	ÇİFT ETKİLİ HİDROLİK TESİSATI (2.3m)	DOUBLE ACTING HYD. PIPING (2.3m)
F090.01.01	ÇİFT ETKİLİ HİDROLİK TESİSATI (2 PARÇALI BOM, 2.3m)	DOUBLE ACTING HYD. PIPING (TWO PIECES BOOM, 2.3m)
F100.00.01	ÇABUK SÖK-TAK HİDROLİK TESİSATI, 40 BAR (OP)	QUICK COUPLER HYD. PIPING, 40 BAR (OP)
F120.00.01	ATAÇMAN GRESLEME SİSTEMİ	ATTACHMENT GREASE LUB SYSTEM
F120.01.01	ATAÇMAN GRESLEME SİSTEMİ (2 PARÇALI BOM)	ATTACHMENT GREASE LUB SYSTEM (TWO PIECES BOOM)
F140.00.01	BOM EMNİYET VALFİ SİSTEMİ (OP)	BOOM SAFETY LOCK SYSTEM (OP)
F140.01.01	BOM EMNİYET VALFİ SİSTEMİ (2 PARÇALI BOM, OP)	BOOM SAFETY LOCK SYSTEM (TWO PIECES BOOM, OP)
F150.00.01	BOM EMNİYET VALFİ SİSTEMİ (OP)	BOOM SAFETY LOCK SYSTEM (OP)
F150.01.01	ARM EMNİYET VALFİ SİSTEMİ (2 PARÇALI BOM, OP)	ARM SAFETY LOCK SYSTEM (TWO PIECES BOOM, OP)

## İÇİNDEKİLER / CONTENTS

F160.00.01 AŞIRI YÜK UYARI SİSTEMİ (EMNİYET VALFLİ, OP) OVERLOAD WARNING SYSTEM (WITH RELIEF VALVE, OP)

F160.01.01 AŞIRI YÜK UYARI SİSTEMİ (EMNİYET VALFSİZ, OP) OVERLOAD WARNING SYSTEM (WITHOUT RELIEF VALVE, OP)

### **G HİDROLİK KOMPONENTLER**

### **HYDRAULIC COMPONENTS**

G010.00.01	HİDROLİK POMPA	HYDRAULIC PUMP
G010.00.02	DİŞLİ POMPA	GEAR PUMP
G010.00.03	ORANSAL BASINÇ VALFİ	PROPORTIONAL REDUCING VALVE
G010.00.04	POMPA REGÜLATÖRÜ, ÖN	PUMP REGULATOR, FRONT
G010.00.05	POMPA REGÜLATÖRÜ, ARKA	PUMP REGULATOR, REAR
G010.00.06	DİŞLİ POMPA, DİREKSİYON VE FREN	GEAR PUMP, STEERING & BRAKE
G020.00.01	ANA KUMANDA VALFİ (1)	MAIN CONTROL VALVE (1)
G020.00.02	ANA KUMANDA VALFİ (2)	MAIN CONTROL VALVE (2)
G020.00.03	ANA KUMANDA VALFİ (3)	MAIN CONTROL VALVE (3)
G030.00.01	KULE DÖNÜŞ ÜNİTESİ, MOTOR	SWING UNIT, MOTOR
G040.00.01	KULE DÖNÜŞ ÜNİTESİ, DİŞLİ KUTUSU	SWING UNIT, REDUCTION GEAR
G050.00.01	YÜRÜYÜŞ MOTORU (1)	TRAVEL MOTOR (1)
G050.00.02	YÜRÜYÜŞ MOTORU (2)	TRAVEL MOTOR (2)
G050.00.03	YÜRÜYÜŞ MOTORU (3)	TRAVEL MOTOR (3)
G070.00.01	DÖNER DAĞITICI	TURNING JOINT
G080.00.01	JOYSTİK, SAĞ	JOYSTICK, RH
G080.00.02	JOYSTİK, SOL	JOYSTICK, LH
G090.00.01	JOYSTİK, DOZER VE AYAK (OP)	JOYSTICK, DOZER & OUTRIGGER (OP)
G110.00.01	YÜRÜYÜŞ PEDALI	TRAVEL PEDAL
G120.00.01	ŞANZİMAN VALFİ	TRANSMISSION VALVE
G130.00.01	PİLOT VE ŞANZİMAN VALFİ	PILOT AND TRANSMISSION VALVE
G150.00.01	1'Lİ SOLENOİD VALF	SOLENOID VALVE, 1 SECTION
G160.00.01	2'Lİ SOLENOİD VALF	SOLENOID VALVE, 2 SECTION
G175.00.01	KULE KİLİT VALFİ	SWING SAFETY LOCK VALVE
G180.00.01	BOM SİLİNDİRİ, SAĞ	BOOM CYLINDER, RH
G180.00.02	BOM SİLİNDİRİ, SOL	BOOM CYLINDER, LH
G180.01.01	BOM SİLİNDİRİ, SAĞ (2 PARÇALI BOM 1, OP)	BOOM CYLINDER, RH (2-PIECE BOOM 1, OP)
G180.01.02	BOM SİLİNDİRİ, SOL (2 PARÇALI BOM 1, OP)	BOOM CYLINDER, LH (2-PIECE BOOM 1, OP)
G180.01.03	BOM SİLİNDİRİ, (2 PARÇALI BOM 2, OP)	BOOM CYLINDER, (2-PIECE BOOM 2, OP)
G190.00.01	ARM SİLİNDİRİ	ARM CYLINDER
G200.00.01	KEPÇE SİLİNDİRİ	BUCKET CYLINDER
G210.00.01	ÇABUK SÖK TAK SİLİNDİRİ (OP)	QUICK COUPLER CYLINDER (OP)
G220.00.01	AYAK SİLİNDİRİ, SAĞ	OUTRIGGER CYLINDER, RH
G220.00.02	AYAK SİLİNDİRİ, SOL	OUTRIGGER CYLINDER, LH
G230.00.01	DOZER SİLİNDİRİ, SAĞ	DOZER CYLINDER, RH
G230.00.02	DOZER SİLİNDİRİ, SOL	DOZER CYLINDER, LH
G240.00.01	OSİLASYON SİLİNDİRİ	OSCILLATING CYLINDER

### **H DİREKSİYON SİSTEMİ**

### **STEERING SYSTEM**

H010.00.01	DİREKSİYON HİDROLİK TESİSATI	STEERING HYD. PIPING
H020.00.01	DİREKSİYON ÜNİTESİ	STEERING UNIT

### **J FREN SİSTEMİ**

### **BRAKE SYSTEM**

J010.00.01	FREN HİDROLİK TESİSATI, ÜST	BRAKE HYD. PIPING, UPPER
J020.00.01	FREN HİDROLİK TESİSATI, ALT	BRAKE HYD. PIPING, LOWER

## İÇİNDEKİLER / CONTENTS

J030.00.01	FREN VALFİ	BRAKE VALVE
J040.00.01	FREN AKÜMÜLATÖR ŞARJ VALFİ	BRAKE SUPPLY VALVE
<b>K</b>	<b>ELEKTRİK SİSTEMİ</b>	<b>ELECTRICAL SYSTEM</b>
K010.00.01	ELEKTRİK PARÇALARI (1)	ELECTRIC PARTS (1)
K010.00.01	ELEKTRİK PARÇALARI (1)	ELECTRIC PARTS (1)
K010.00.02	ELEKTRİK PARÇALARI (2)	ELECTRIC PARTS (2)
K020.00.01	ANA ELEKTRİK TESİSATI	MAIN HARNESS
K030.00.01	MOTOR ELEKTRİK TESİSATI, ŞASI	ENGINE HARNESS, FRAME
K040.00.01	KABİN ELEKTRİK TESİSATI	OPERATOR CAB HARNESS
K050.00.01	KABİN İÇİ ELEKTRİK TESİSATI	OPERATOR CAB INTERIOR HARNESS
K060.00.01	TEPE LAMBASI (OP)	BEACON LAMP MOUNTING (OP)
K070.00.01	ÖN ÇALIŞMA LAMBASI MONTAJI (OP)	WORK LAMP MOUNTING, FRONT (OP)
K080.00.01	ARKA ÇALIŞMA LAMBASI MONTAJI (OP)	WORK LAMP MOUNTING, REAR (OP)
K090.00.01	ARKA AĞIRLIK ÇALIŞMA LAMBASI MONTAJI (OP)	WORK LAMP MOUNTING, COUNTER WEIGHT (OP)
K100.00.01	SMARTLINK (OP)	SMARTLINK (OP)
K110.00.01	IMMOBİLİZER (OP)	IMMOBILIZER (OP)
K120.00.01	KAMERA MONTAJI, ARKA GÖRÜŞ (OP)	CAMERA MOUNTING, REAR VIEW (OP)
<b>Y</b>	<b>DİĞERLERİ (ETİKET, AVADANLIK)</b>	<b>OTHERS (DECAL, TOOLS)</b>
Y010.00.01	ETİKETLER (TÜRKÇE)	DECALS (TURKISH)
Y010.01.01	ETİKETLER (İNGİLİZCE)	DECALS (ENGLISH)
Y010.02.01	ETİKETLER (İSPANYOLCA)	DECALS (SPANISH)
Y010.03.01	ETİKETLER (PORTEKİZCE)	DECALS (PORTUGUESE)
Y010.04.01	ETİKETLER (FRANSIZCA)	DECALS (FRENCH)
<b>Z</b>	<b>MOTOR PARÇALARI</b>	<b>ENGINE PARTS</b>
Z010.00.01	MOTOR	ENGINE
Z020.00.01	KÜLBÜTÖR KAPAĞI	ROCKER ARM COVER
Z020.00.02	SİLİNDİR KAPAĞI 1	CYLINDER HEAD 1
Z020.00.03	SİLİNDİR KAPAĞI 2	CYLINDER HEAD 2
Z020.00.04	SİLİNDİR BLOĞU	CYLINDER BLOCK
Z020.00.05	KAM MİLİ VE SUPAPLAR	CAM SHAFT & VALVE
Z020.00.06	ZAMANLAMA DİŞLİSİ	TIMING GEAR
Z020.00.07	DİŞLİ KUTUSU KAPAĞI	GEAR CASE COVER
Z020.00.08	VOLAN MUHAFAZASI	FLYWHEEL HOUSING
Z020.00.09	KRANK MİLİ, PİSTON VE VOLAN	CRANKSHAFT, PISTON & FLYWHEEL
Z020.00.10	MOTOR TAMİR TAKIMI	ENGINE OVERHAUL GASKET KIT
Z020.00.11	SİLİNDİR KAPAĞI TAMİR TAKIMI	CYLINDER HEAD GASKET KIT
Z030.00.01	YAĞ SEVİYE ÇUBUĞU & YAĞ KARTERİ	OIL LEVEL GAUGE & OIL PAN
Z030.00.02	YAĞ FİLTRESİ VE SOĞUTUCUSU	OIL FILTER & COOLER
Z030.00.03	YAĞ POMPASI VE YAĞ SÜZGEÇİ	OIL PUMP & STRAINER
Z030.00.04	YAĞ VE VAKUM TESİSATI	OIL & VACUUM PIPING
Z030.00.05	HAVALANDIRMA SİSTEMİ	VENTILATION SYSTEM
Z040.00.01	SU POMPASI VE KOROZYON ÖNLEYİCİ	WATER PUMP & CORROSION RESISTOR
Z040.00.02	TERMOSTAT	THERMOSTAT
Z040.00.03	FAN VE FAN KAYIŞI	FAN & FAN BELT
Z040.00.04	FAN MUHAFAZASI	FAN GUARD
Z050.00.01	YAKIT BESLEME POMPASI	FUEL FEED PUMP
Z050.00.02	YAKIT ENJEKSİYON SİSTEMİ 1	FUEL INJECTION SYSTEM 1

## İÇİNDEKİLER / CONTENTS

---

Z050.00.03	YAKIT ENJEKSİYON SİSTEMİ 2	FUEL INJECTION SYSTEM 2
Z050.00.04	YAKIT FİLTRESİ	FUEL FILTER
Z060.00.01	MARŞ MOTORU	STARTER
Z060.00.02	ALTERNATÖR	GENARATOR
Z060.00.03	MOTOR ELEKTRİK TESİSATI	ENGINE WIRING HARNESS
Z060.00.04	ELEKTRİK TESİSATI SABİTLEME ELEMANLARI	HARNESS FIXING PARTS
Z060.00.05	ELEKTRİK KONTROL PARÇALARI 1	ELECTRIC CONTROL PARTS 1
Z060.00.06	ELEKTRİK KONTROL PARÇALARI 2	ELECTRIC CONTROL PARTS 2
Z070.00.01	EMME MANİFOLDU	INLET MANIFOLD
Z070.00.02	EGZoz MANİFOLDU	EXHAUST MANIFOLD
Z070.00.03	TURBOŞARJ SİSTEMİ	TURBOCHARGER SYSTEM
Z070.00.04	EGR	EGR
Z070.00.05	EGR SOĞUTUCU TESİSATI	EGR WATER PIPING

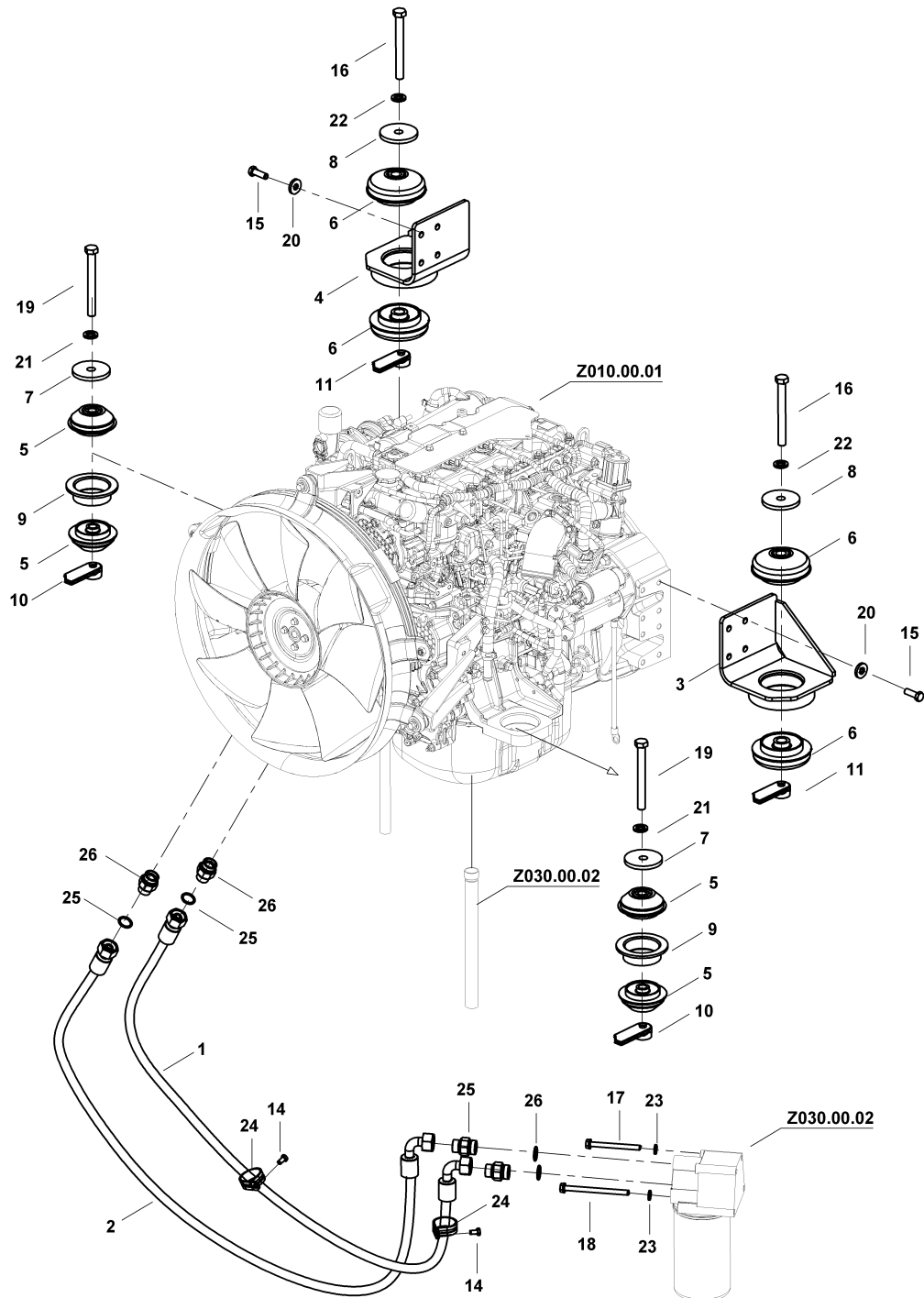


# A - MOTOR SİSTEMİ

## A - ENGINE SYSTEM

Sayfa No / Page No	Sayfa Adı	Page Name	Revizyon / Revision
A010.00.01	MOTOR MONTAJI	ENGINE MOUNTING	
A020.00.01	HAVA EMİŞ SİSTEMİ	AIR INTAKE SYSTEM	
A030.00.01	EGZOZ MONTAJI	EXHAUST MOUNTING	
A040.00.01	SOĞUTMA SİSTEMİ	COOLING SYSTEM	
A050.00.01	RADYATÖR KOMPLESİ	RADIATOR ASS'Y	
A060.00.01	YAKIT SİSTEMİ	FUEL SYSTEM	
A070.00.01	ÖN YAKIT FİLTRESİ MONTAJI (OP)	PRE-FUEL FILTER ASS'Y (OP)	
A080.00.01	YAKIT TRANSFER POMPASI MONTAJI	FUEL FEED PUMP ASS'Y	
A090.00.01	KLİMA VE KALORİFER MONTAJI	AIRCONDITION AND HEATER MOUNTING	
A100.00.01	KLİMA VE KALORİFER ÜNİTESİ	AIRCONDITION AND HEATER UNIT	

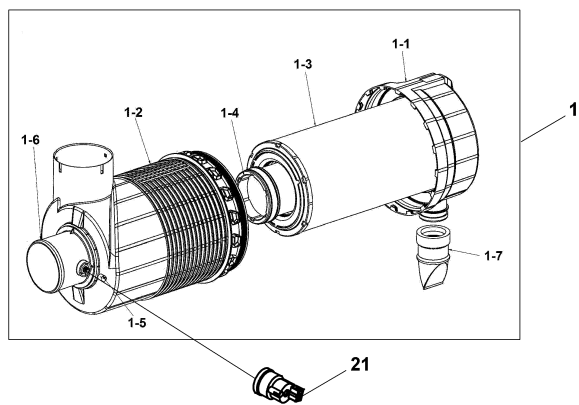
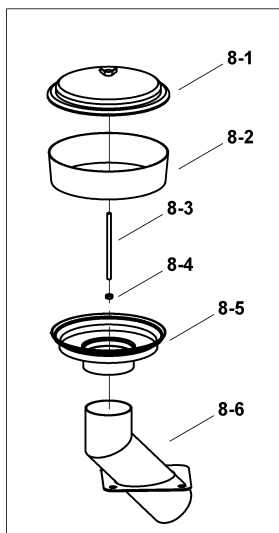
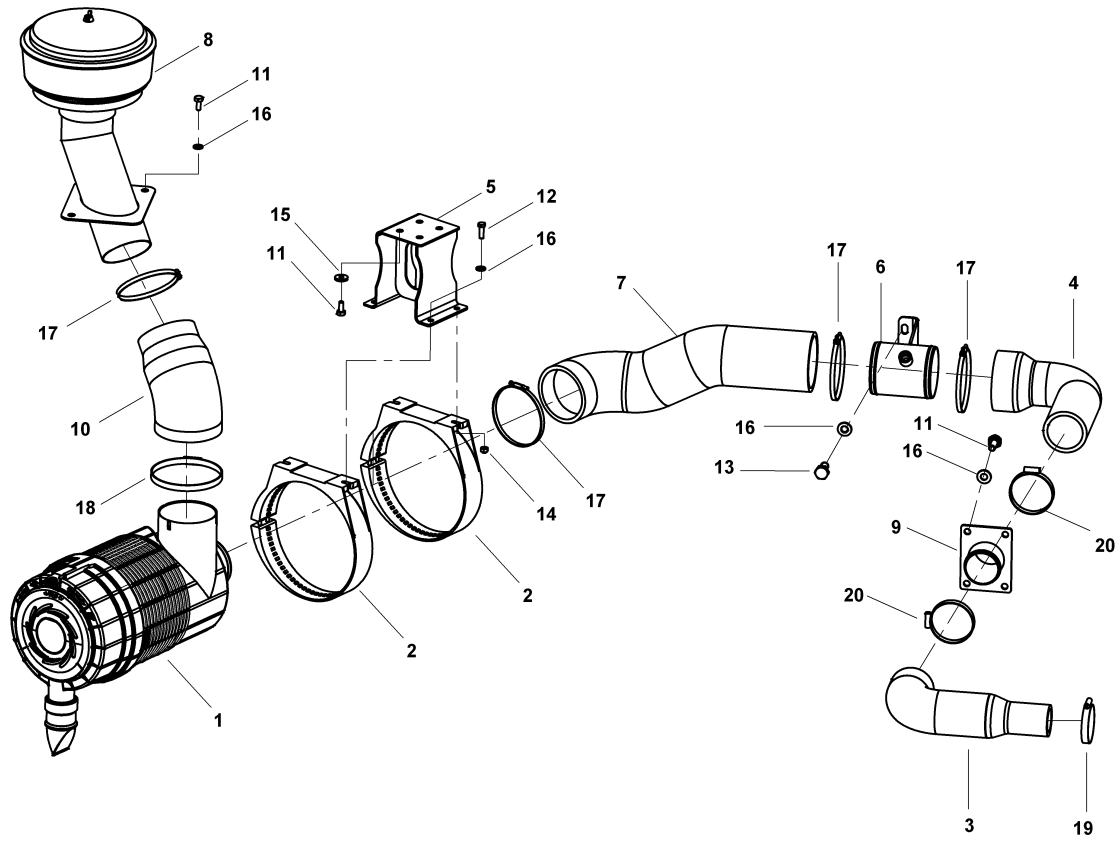
### MOTOR MONTAJI ENGINE MOUNTING



## MOTOR MONTAJI ENGINE MOUNTING

No	Parça No	Parça Adı		Adet	S.K.	Bas.S.N	Bit.S.N	Y.K.	Not
No	Part no	Description		Qty	SC	S/N from	S/N to	ICA	Note
1	99Q094140	HORTUM KOMPLESİ	HOSE ASS'Y	1					
2	99Q094142	HORTUM KOMPLESİ	HOSE ASS'Y	1					
3	H202010200	MOTOR BAĞLANTI KULAĞI K.M.	ENGINE MOUNTING, BRAKET W.A.	1					
4	H202010600	MOTOR BAĞLANTI KULAĞI K.M.	ENGINE MOUNTING, BRAKET W.A.	1					
5	H302000200	MOTOR TAKOZU, ÖN	MOUNTING RUBBER, FRONT	4					
6	H302000300	MOTOR TAKOZU, ARKA	MOUNTING RUBBER, REAR	4					
7	H302000400	PUL	WASHER	2					
8	H302000500	PUL	WASHER	2					
9	H302000600	BURÇ	BUSHING	2					
10	H302000700	SOMUN, DÖVME	FORGED NUT	2					
11	H342031700	SOMUN, DÖVME	FORGED NUT	2					
14	N010232078	CIVATA	BOLT	3					M8x15
15	N010232858	CIVATA	BOLT	8					M12x35
16	N010234502	CIVATA	BOLT	2					M20x180
17	N010380782	CIVATA	BOLT	2					M10x110
18	N010380794	CIVATA	BOLT	2					M10x140
19	N010381418	CIVATA	BOLT	2					M16X150
20	N030560004	PUL	WASHER	8					M12
21	N030810002	PUL	WASHER	2					M16
22	N030810003	PUL	WASHER	2					M20
23	N030810015	PUL	WASHER	4					M10
24	N077014508	KELEPÇE	CLAMP	3					
25	N102002436	O-RİNG	O-RING	4					
26	N16K114344	NIPEL	ADAPTER	4					

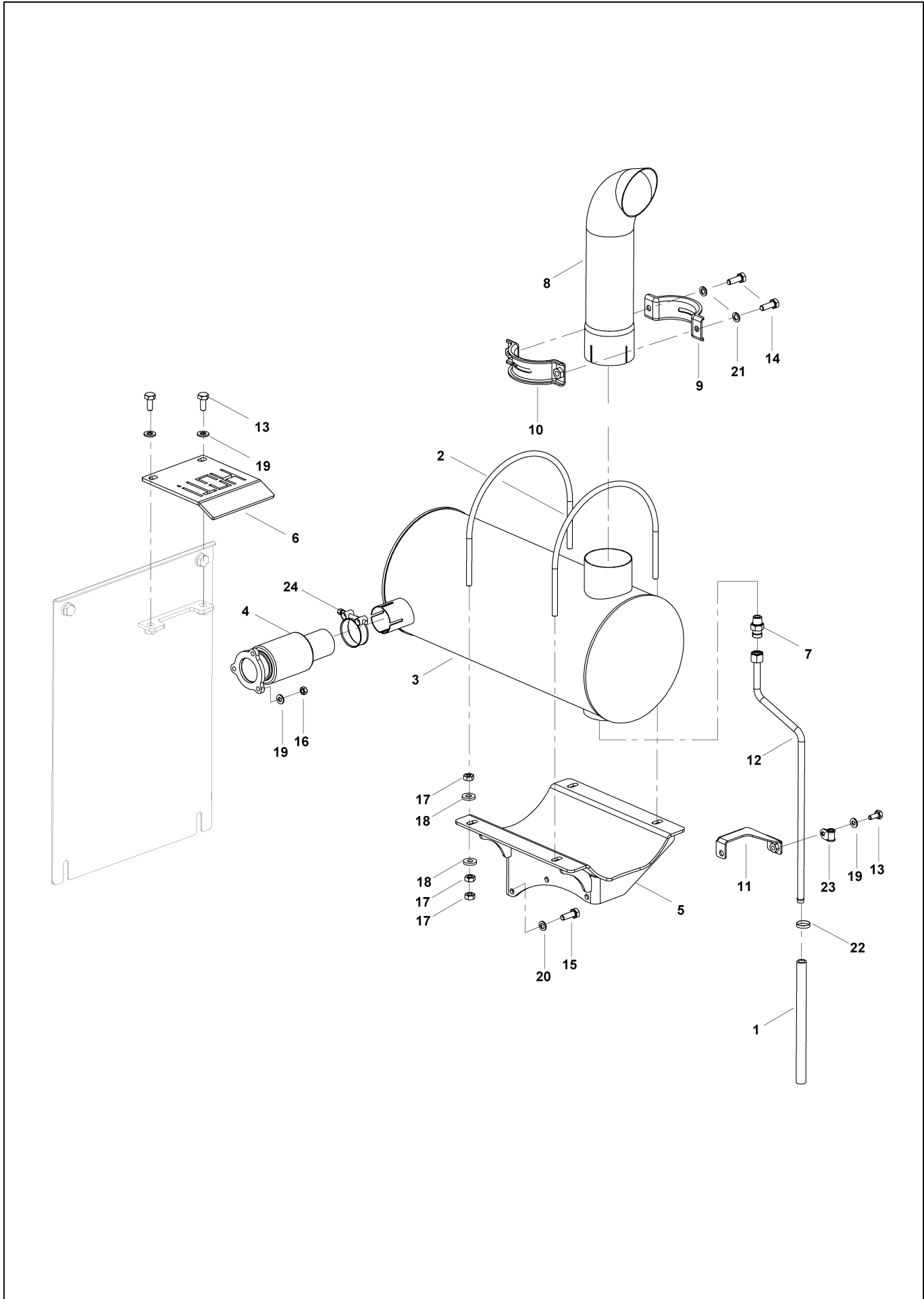
# HAVA EMİŞ SİSTEMİ AIR INTAKE SYSTEM



## HAVA EMİŞ SİSTEMİ AIR INTAKE SYSTEM

No	Parça No	Parça Adı		Adet	S.K.	Bas.S.N	Bit.S.N	Y.K.	Not
No	Part no	Description		Qty	SC	S/N from	S/N to	ICA	Note
1	H202210100	FİLTRE KOMPLESİ, HAVA	FILTER ASS'Y, AIR	1					
1-1	H209039003	KAPAK	COVER ASS'Y	1					
1-2	H209039004	HAVA FİLTRE KABİ	BODY ASS'Y	1					
1-3	H209039001	FİLTRE, HAVA, DIŞ	MAIN ELEMENT	1					
1-4	H209039002	FİLTRE, HAVA, İÇ	SAFETY ELEMENT	1					
1-5	H209039005	TAPA	PROTECTION CAP	1					
1-6	H209039006	ÇIKIŞ BORUSU	TUBE	1					
1-7	H209039007	TAHLİYE LASTİĞİ, HAVA FİLTRESİ	EVACUATOR, AIR FILTER	1					
2	H202210200	KELEPÇE	CLAMP	2					
3	H202210300	HORTUM, HAVA FİLTRESİ	HOSE, AIR CLEANER	1					
4	H202210400	HORTUM, HAVA FİLTRESİ	HOSE, AIR CLEANER	1					
5	H302200100	BRAKET K.M.	BRACKET W.A.	1					
6	H302200400	BORU K.M.	PIPE W.A.	1					
7	H302200700	HORTUM, HAVA FİLTRESİ	HOSE, AIR CLEANER	1					
8	H302200800	ÖN TEMİZLEYİCİ KOMPLESİ, HAVA	PRE CLEANER ASS'Y, AIR	1					
8-1	H302201500	KAPAK	COVER	1					
8-2	H209039010	KOLLEKTÖR	COLLECTOR	1					
8-3	H209039011	SAPLAMA	STUD	1					
8-4	H209039012	SOMUN	NUT	1					
8-5	H209039013	TOZ KABİ	DUST BOWL	1					
8-6	H209039014	BORU K.M.	PIPE W.A.	1					
9	H302200900	BORU K.M.	PIPE W.A.	1					
10	H302201300	HORTUM, HAVA FİLTRESİ	HOSE, AIR CLEANER	1					
11	N010232124	CIVATA	BOLT	11					
12	N010232138	CIVATA	BOLT	4					M8x25
13	N010232438	CIVATA	BOLT	2					M10x20
14	N023570182	SOMUN	NUT	4					M8
15	N030560001	PUL	WASHER	4					M8
16	N030810014	PUL	WASHER	13					M8
17	N074030012	KELEPÇE	CLAMP	4					
18	N074311214	KELEPÇE	CLAMP	1					
19	N074326080	KELEPÇE	CLAMP	1					
20	N074327090	KELEPÇE	CLAMP	2					
21	H348002401	MÜŞİR, TIKANIKLIK	SWITCH, DUST	1					

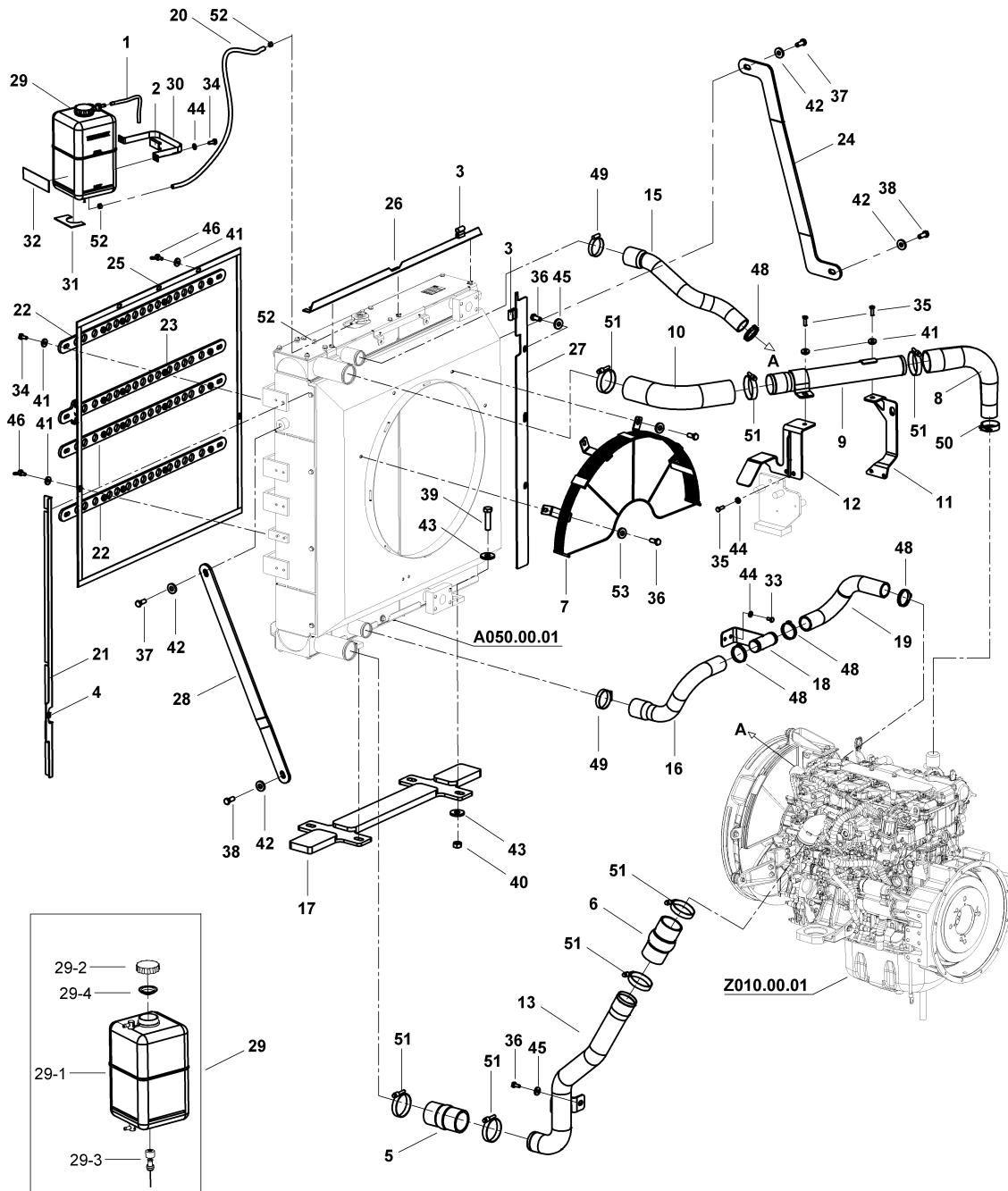
# EGZOZ MONTAJI EXHAUST MOUNTING



**EGZOZ MONTAJI**  
**EXHAUST MOUNTING**

No	Parça No	Parça Adı		Adet	S.K.	Bas.S.N	Bit.S.N	Y.K.	Not
No	Part no	Description		Qty	SC	S/N from	S/N to	ICA	Note
1	H067001102	HORTUM, SU TAHLİYE	HOSE, WATER DRAIN	1					
2	H202301701	U-KELEPÇE	U-BOLT	2					
3	H202310100	EGZOS SUSTURUCU	MUFFLER	1					
4	H202310200	BORU K.M., ADAPTÖR	PIPE W.A., ADAPTER	1					
5	H202310400	BRAKET K.M., EGZOZ	BRACKET W.A., MUFFLER	1					
6	H202312700	KORUMA SACI	COVER, PROTECTION	1					
7	H342311102	NIPEL	ADAPTER	1					
8	H342320201	EGZOZ BORUSU	PIPE, MUFFLER	1					
9	H342321301	KELEPÇE	CLAMP	1					
10	H342322100	KELEPÇE K.M.	CLAMP W.A.	1					
11	H342322200	BRAKET K.M.	BRACKET W.A.	1					
12	H342322400	BORU KOMPLESİ	PIPE ASSY	1					
13	N010232124	CIVATA	BOLT	3					
14	N010232486	CIVATA	BOLT	2					M10x30
15	N010232498	CIVATA	BOLT	3					M10x35
16	N023570182	SOMUN	NUT	3					M8
17	N023570206	SOMUN	NUT	12					M10
18	N030560002	PUL	WASHER	8					M10
19	N030810014	PUL	WASHER	6					M8
20	N030810015	PUL	WASHER	3					M10
21	N031310011	YAYLI RONDELA	SPRING WASHER	2					M10
22	N074016027	KELEPÇE	CLAMP	1					
23	N077011208	KELEPÇE	CLAMP	1					
24	N078205155	KELEPÇE	CLAMP	1					

**SOĞUTMA SİSTEMİ  
COOLING SYSTEM**

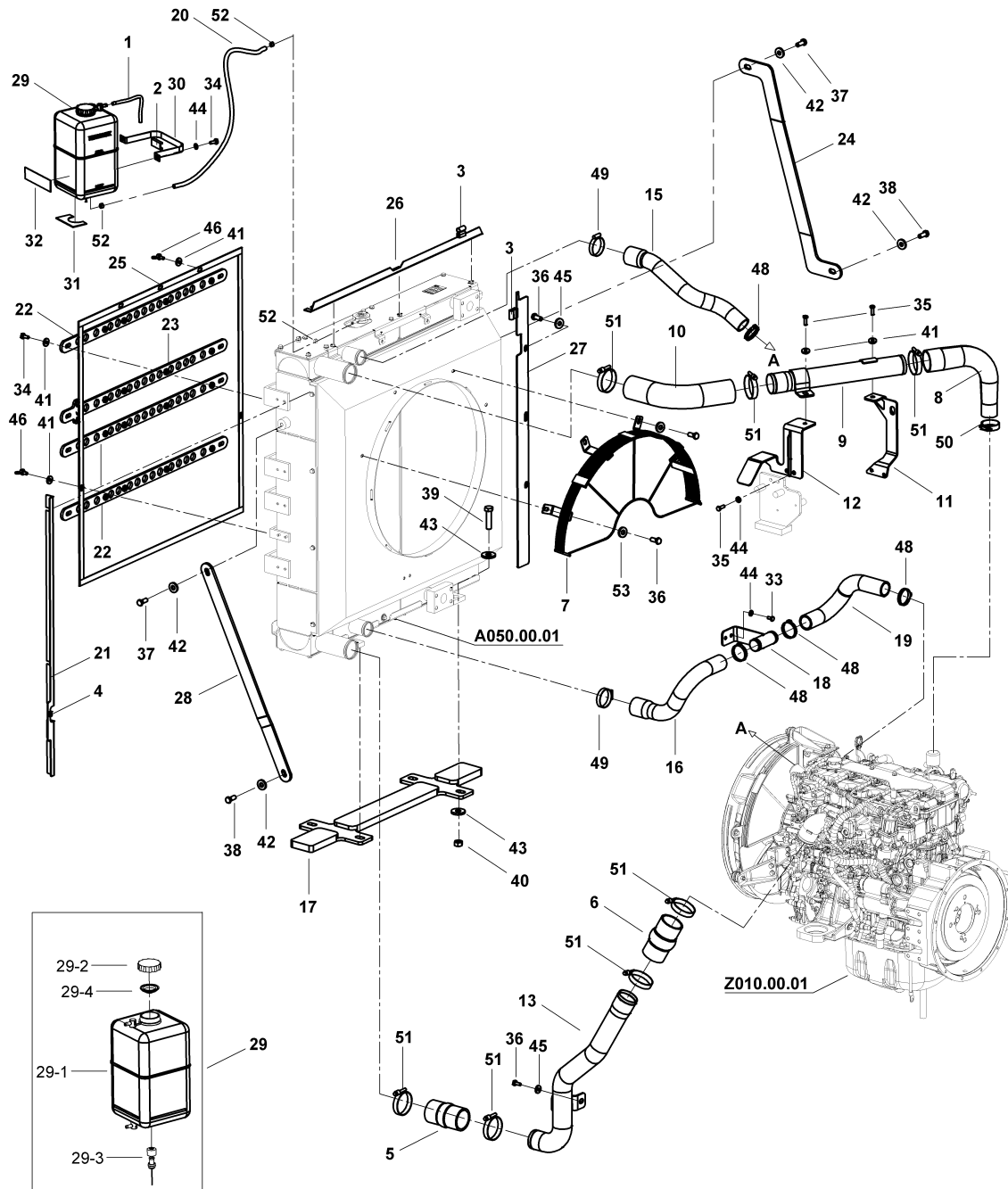




## SOĞUTMA SİSTEMİ COOLING SYSTEM

No	Parça No	Parça Adı	Adet	S.K.	Bas.S.N	Bit.S.N	Y.K.	Not
No	Part no	Description	Qty	SC	S/N from	S/N to	ICA	Note
1	79900450	HORTUM	1					
2	98Y040130	GROMET	1					
3	98Z020010	FİTİL	2					
4	H130135102	FİTİL	1					
5	H202404401	HORTUM, İNTERCOOLER	1					
6	H202410500	HORTUM, İNTERCOOLER	1					
7	H202420201	MUHAFAZA, FAN	1					
8	H202420400	HORTUM, İNTERCOOLER	1					
9	H202420500	BORU K.M.	1					
10	H202420800	HORTUM, İNTERCOOLER	1					
11	H202421000	BRAKET K.M.	1					
12	H202421100	BRAKET K.M.	1					
13	H202423100	BORU K.M., İNTERCOOLER	1					
15	H302400400	HORTUM, SU	1					
16	H302400500	HORTUM, SU	1					
17	H302400800	LASTİK	1					
18	H302401000	BORU K.M.	1					
19	H302401300	HORTUM, SU	1					
20	H302402600	HORTUM, SICAK SU	1					
21	H302402700	HAVA PERDE SACI	1					
22	H302403400	SAC K.M., KONDENSER ASKISI	3					
23	H302403600	SAC K.M., KONDENSER ASKISI	1					
24	H202420300	DESTEK SACI	1					
25	H302402900	ELEK	1					
26	H302403901	HAVA PERDE SACI	1					
27	H302403800	HAVA PERDE SACI	1					
28	H202423000	DESTEK SACI	1					
29	H342405202	REZERVUAR TANK KOMPLESİ	1					
29-1	H349080050A	REZERVUAR TANK	1					
29-2	H349080051B	TANK KAPAĞI, REZERVUAR	1					
29-3	H349080053A	MÜŞİR, REZERVUAR TANK	1					
29-4	H349080054A	CONTA	1					
30	H342410800	KELEPÇE	1					
31	H342442700	LASTİK	1					
32	H342442900	LASTİK	1					
33	N010232078	CIVATA	2					M8x15
34	N010232124	CIVATA	10					M8x20
35	N010232138	CIVATA	4					M8x25
36	N010232438	CIVATA	8					M10x20
37	N010232846	CIVATA	2					M12x30
38	N010232858	CIVATA	2					M12x35
39	N010381262	CIVATA	4					M16x65
40	N023570314	SOMUN	4					M16
41	N030560001	PUL	15					M8
42	N030560004	PUL	4					M12
43	N030560006	PUL	8					M16
44	N030810014	PUL	6					M8
45	N030810015	PUL	4					M10

**SOĞUTMA SİSTEMİ  
COOLING SYSTEM**



**SOĞUTMA SİSTEMİ**  
**COOLING SYSTEM**

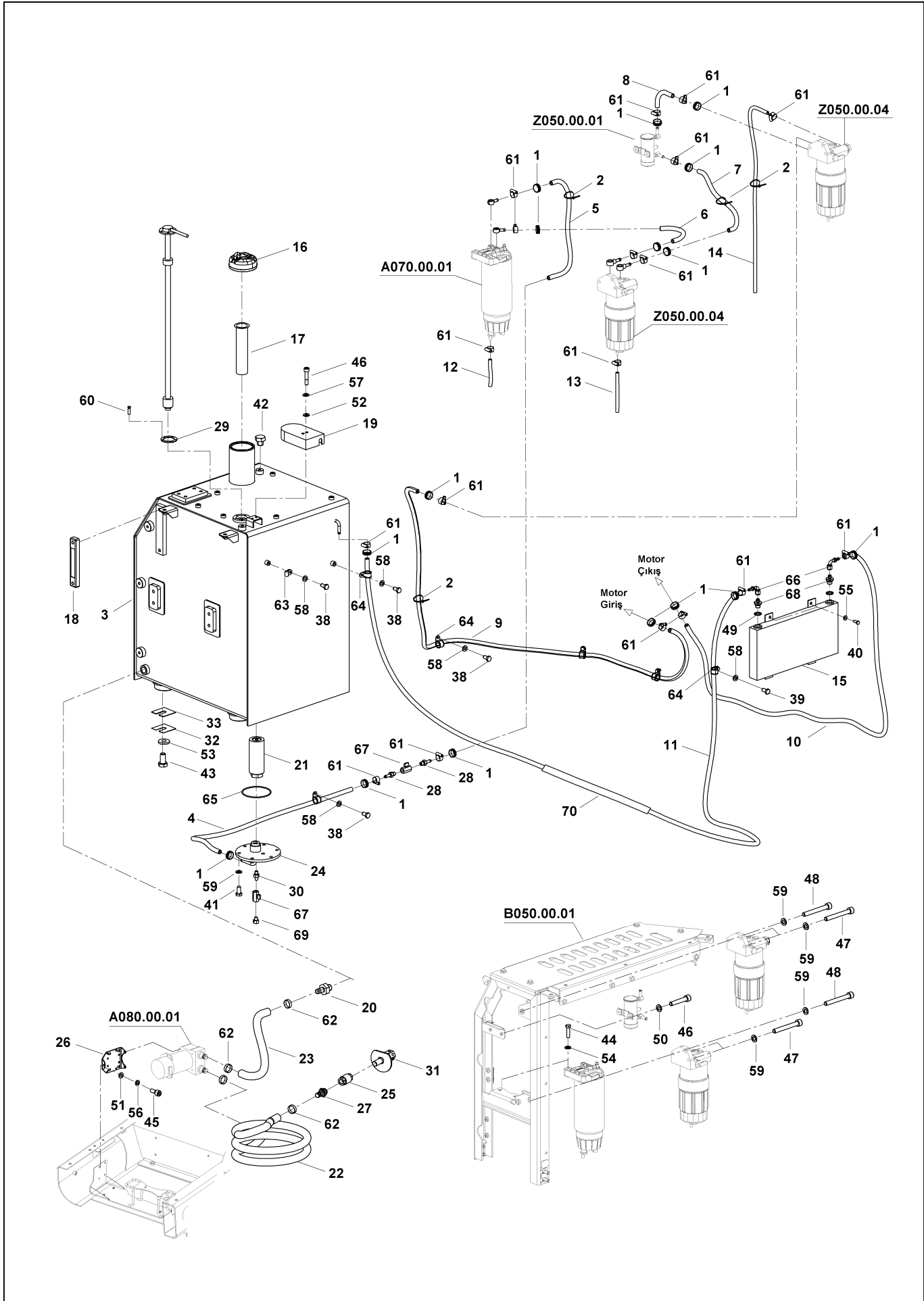
No	Parça No	Parça Adı	Adet	S.K.	Bas.S.N	Bit.S.N	Y.K.	Not
No	Part no	Description	Qty	SC	S/N from	S/N to	ICA	Note
46	N042180398	KELEBEK CIVATA	5					
48	N074324060	KELEPÇE	4					
49	N074325070	KELEPÇE	2					
50	N074834567	KELEPÇE	1					
51	N074835779	KELEPÇE	7					
52	N075221112	KELEPÇE	3					
53	N030560002	PUL	5					M10



**RADYATÖR KOMPLESİ  
RADIATOR ASS'Y**

No	Parça No	Parça Adı		Adet	S.K.	Bas.S.N	Bit.S.N	Y.K.	Not
No	Part no		Description	Qty	SC	S/N from	S/N to	ICA	Note
0	H202420100	RADYATÖR KOMPLESİ	RADIATOR ASS'Y	1					
1	H209061100	İTERCOOLER	INTERCOOLER	1					
2	H209061101	SU SOĞUTUCU	WATER COOLER	1					
3	H209061102	YAĞ SOĞUTUCU	OIL COOLER	1					
4	H309061004	CIVATA	HEXAGON HEAD SCREW	16					M8x16
5	H309061005	CIVATA	HEXAGON HEAD SCREW	12					M8x20
6	H309061006	CIVATA	HEXAGON HEAD SCREW	4					M8x25
7	H309061007	SOMUN	HEXAGON FLANGE NUT	4					M8
8	H309061008	YÜKSÜK	SPACER	4					
9	H209061103	ÇERÇEVE SACI, ÜST	FRAME	1					
10	H209061104	ÇERÇEVE SACI, ALT	FRAME	1					
11	H209061105	DAVLUMBAZ	FAN COWL	1					
14	H309061012	LASTİK	SEALING RUBBER	4					
15	H209061106	PROFİL	CLAMP PROFILE	2					
16	H309061014	RADYATÖR KAPAK	FILLER NECK CAP	1					

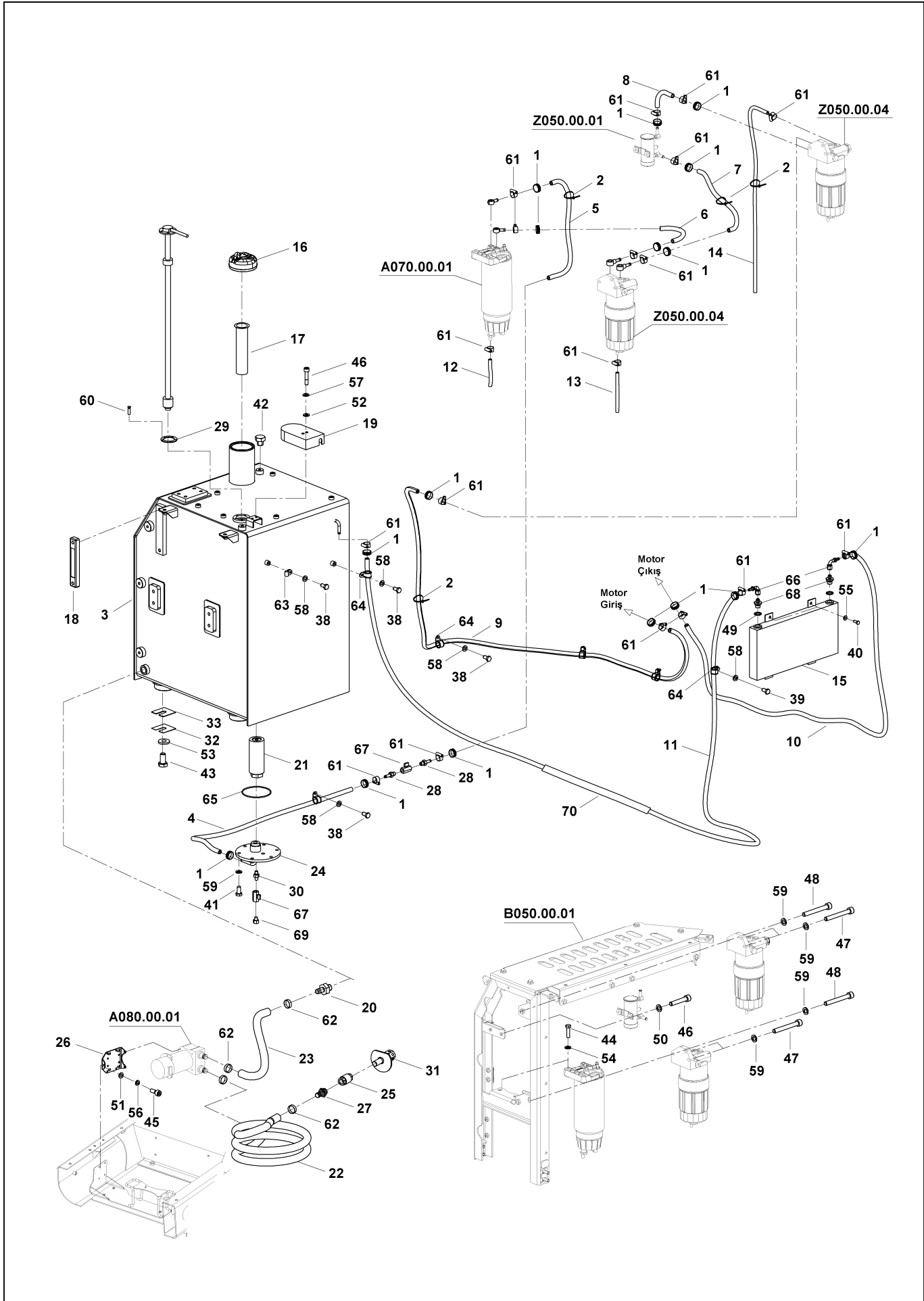
# YAKIT SİSTEMİ FUEL SYSTEM



## YAKIT SİSTEMİ FUEL SYSTEM

No	Parça No	Parça Adı	Adet	S.K.	Bas.S.N	Bit.S.N	Y.K.	Not
No	Part no	Description	Qty	SC	S/N from	S/N to	ICA	Note
1	54502300	TEKSTİL BANT	16					
2	51012200	KABLO BAĞI	7					
3	H202500103	YAKIT TANKI K.M.	1					
4	H202510100	YAKIT HORTUMU	1					
5	H202510200	YAKIT HORTUMU	1					
6	H202510300	YAKIT HORTUMU	1					
7	H202510400	YAKIT HORTUMU	1					
8	H202510500	YAKIT HORTUMU	1					
9	H202510600	YAKIT HORTUMU	1					
10	H202510700	YAKIT HORTUMU	1					
11	H202510800	YAKIT HORTUMU	1					
12	H202510900	HORTUM, TAHLIYE	1					
13	H202511000	HORTUM, TAHLIYE	1					
14	H202511100	HORTUM, TAHLIYE	1					
15	H252512000	YAKIT SOĞUTUCU	1					
16	H342503002	YAKIT TANKI KAPAĞI	1					DJ52
16	H342503003	YAKIT TANKI KAPAĞI	1					DJ53
16	H342503004	YAKIT TANKI KAPAĞI	1					DJ54
16	H342503005	YAKIT TANKI KAPAĞI	1					DJ55
16	H342503006	YAKIT TANKI KAPAĞI	1					DJ56
17	H342503102	SÜZGEÇ, YAKIT	1					
18	H342503202	SEVİYE GÖSTERGESİ, YAKIT	1					
19	H342504000	KAPAK K.M.	1					
20	H342505300	NİPEL	1					
21	H342505500	SÜZGEÇ, YAKIT EMİŞ	1					
22	H342506300	HORTUM, YAKIT EMİŞ	1					
23	H342506401	HORTUM KOMPLESİ	1					
24	H342512601	FLANŞ K.M., EMİŞ	1					
25	H342520100	ÇEK VALF	1					
26	H342520201	BRAKET, POMPA	1					
27	H342520300	NİPEL	1					
28	H342521400	NİPEL	2					
29	H342521500	LASTİK CONTA	1					
30	H342521600	NİPEL	1					
31	H342522400	YAKIT EMİŞ KOMPLESİ	1					
32	H343409500	ŞİM	4					
33	H343410400	ŞİM	4					
38	N010222078	CIVATA	6					M8x16
39	N010222120	CIVATA	1					M8x20
40	N010232114	CIVATA	4					M8x20
41	N010232438	CIVATA	6					M10x20
42	N010232726	CIVATA	2					M12x10
43	N010233578	CIVATA	4					M16x40
44	N010380854	CIVATA	2					M12x45
45	N015870302	CIVATA	4					M6x16
46	N015870352	CIVATA	4					M6x30
47	N015890854	CIVATA	4					M10x45
48	N015890926	CIVATA	2					M10x80
49	N030000015	O-RİNGLİ PUL	2					

# YAKIT SİSTEMİ FUEL SYSTEM

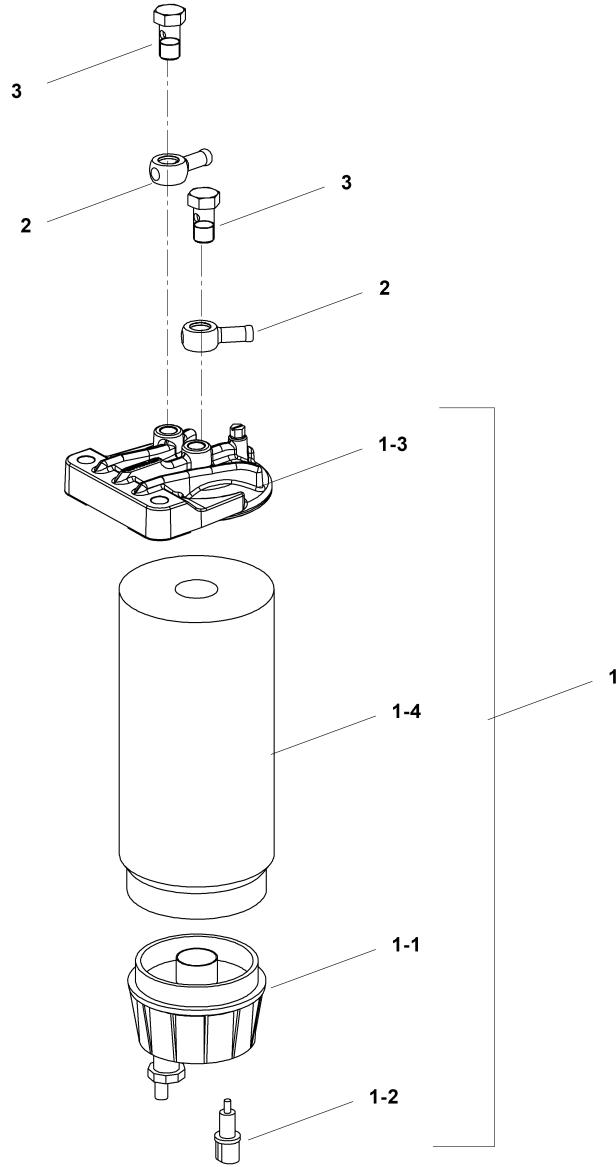




**YAKIT SİSTEMİ**  
**FUEL SYSTEM**

No	Parça No	Parça Adı	Adet	S.K.	Bas.S.N	Bit.S.N	Y.K.	Not
No	Part no	Description	Qty	SC	S/N from	S/N to	ICA	Note
50	N030020004	PUL	2					M6
51	N030100011	PUL	4					M5
52	N030100013	PUL	2					M6
53	N030560006	PUL	4					M16
54	N030810001	PUL	2					M12
55	N030810014	PUL	4					M8
56	N031310007	YAYLI RONDELA	4					M5
57	N031310008	YAYLI RONDELA	2					M6
58	N031310010	YAYLI RONDELA	7					M8
59	N031310011	YAYLI RONDELA	12					
60	N043700952	VİDA	5					
61	N074010016	KELEPÇE	19					
62	N074022032	KELEPÇE	4					
63	N077010908	KELEPÇE	1					
64	N077012508	KELEPÇE	6					
65	N102009936	O-RİNG	1					
66	N115220308	HORTUM BAŞLIĞI	2					
67	N140030200	KÜRESEL VANA	2					
68	N16K520203	NİPEL	2					
69	N16X181002	TAPA	1					
70	N9945C0800	HORTUM KORUYUCU	1					

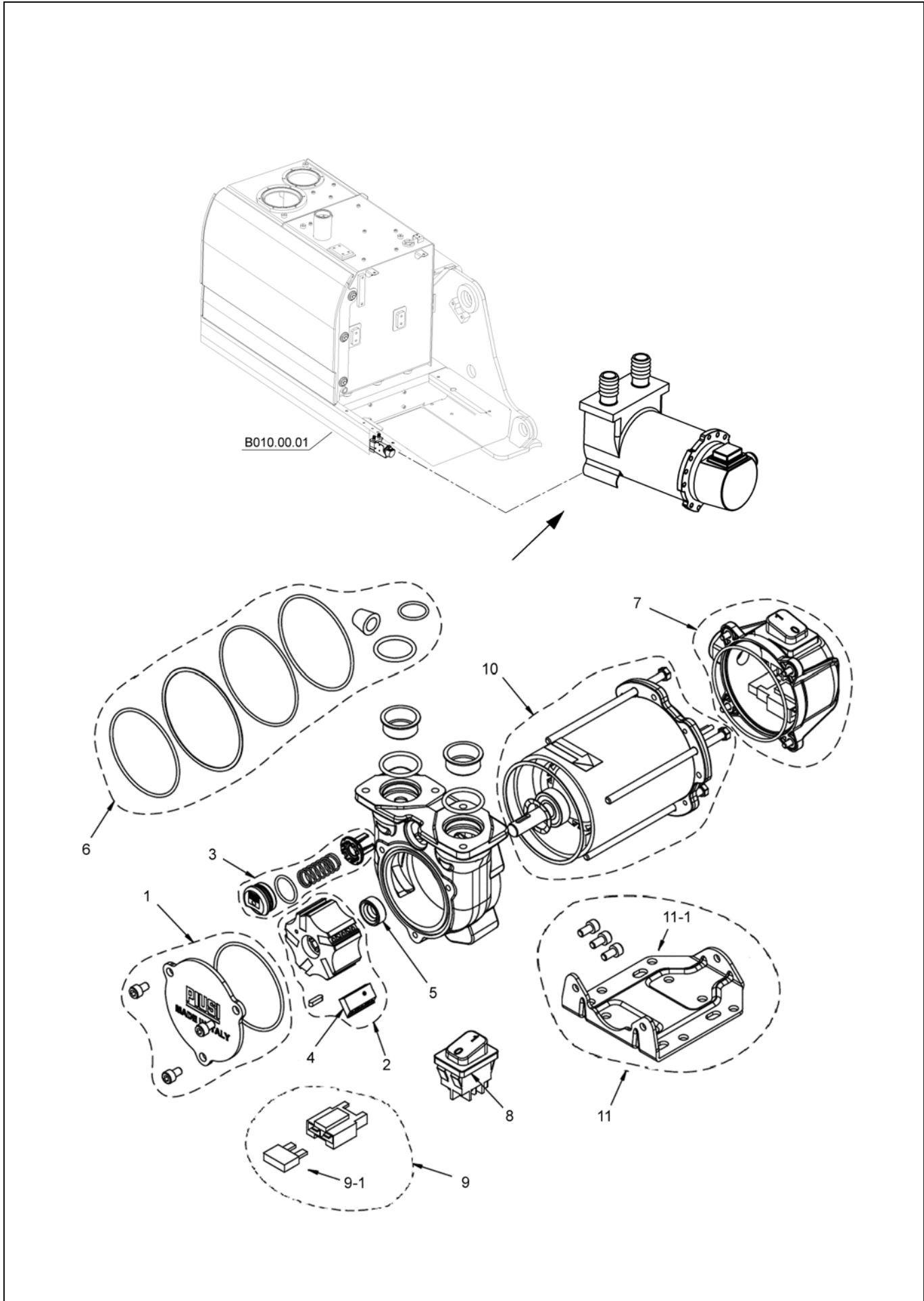
ÖN YAKIT FİLTRESİ MONTAJI (OP)  
PRE-FUEL FILTER ASS'Y (OP)



**ÖN YAKIT FİLTRESİ MONTAJI (OP)  
PRE-FUEL FILTER ASS'Y (OP)**

No	Parça No	Parça Adı		Adet	S.K.	Bas.S.N	Bit.S.N	Y.K.	Not
No	Part no		Description	Qty	SC	S/N from	S/N to	ICA	Note
1	H349004567A	FİLTRE KOMPLESİ, YAKIT ÖN	FILTER ASS'Y, PRE-FUEL	1					
1-1	H909090000	ÇANAK, SU AYIRICI	BOWL, SEDIMENT	1					
1-2	H909090001	SENSÖR, SU UYARICI	SENSOR, WATER WARNING	1					
1-3	H349002400A	FİLTRE KAFASI, YAKIT ÖN	FILTER HEAD, PRE-FUEL	1					
1-4	H349004566A	FİLTRE, YAKIT ÖN	FILTER, PRE-FUEL	1					
2	H349003257	BANJO	BANJO	2					
3	H349003254	BANJO CIVATA	BANJO BOLT	2					

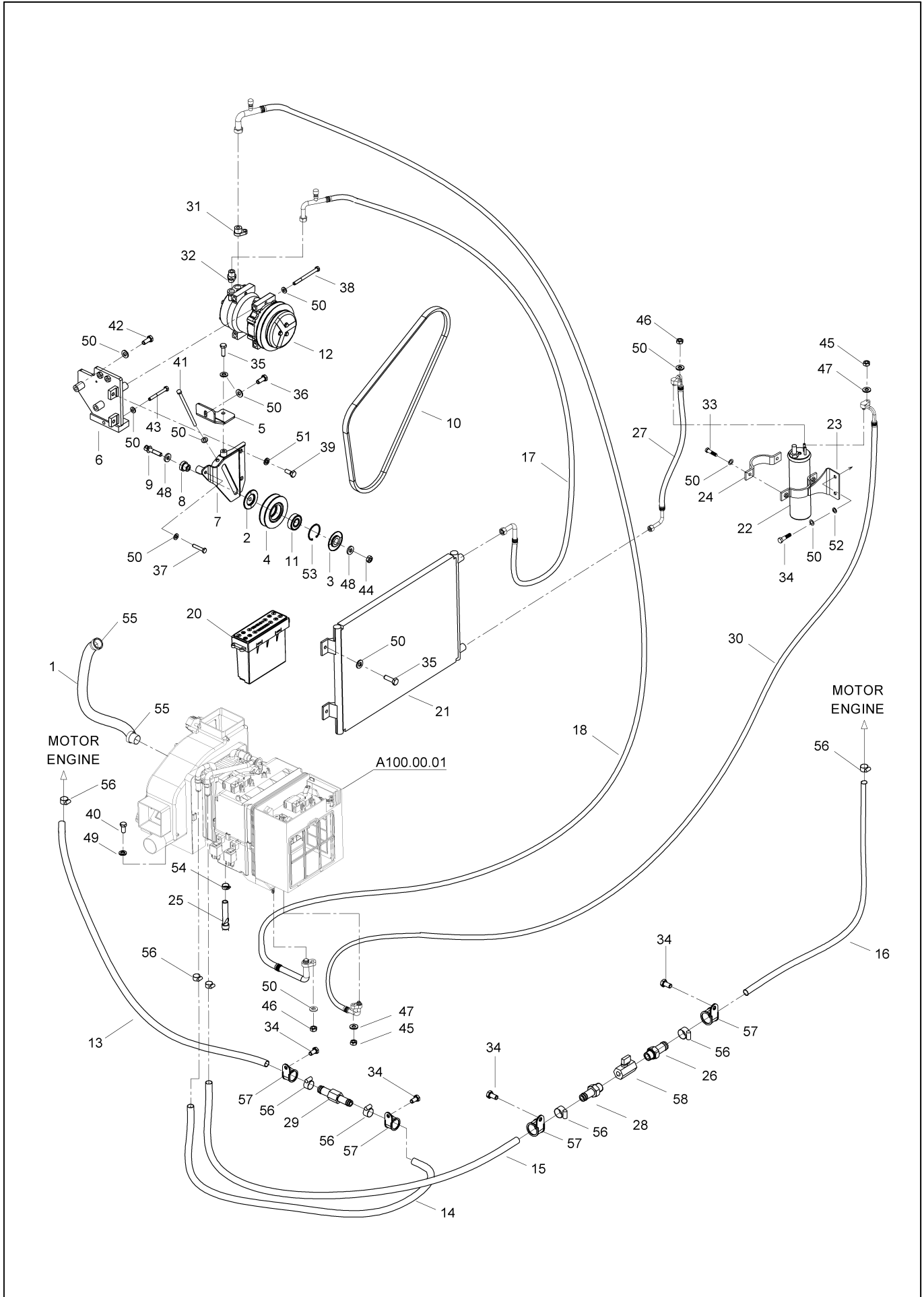
### YAKIT TRANSFER POMPASI MONTAJI FUEL FEED PUMP ASS'Y



**YAKIT TRANSFER POMPASI MONTAJI  
FUEL FEED PUMP ASS'Y**

No	Parça No	Parça Adı	Description	Adet	S.K.	Bas.S.N	Bit.S.N	Y.K.	Not
No	Part no			Qty	SC	S/N from	S/N to	ICA	Note
0	H258003401	YAKIT TRANSFER POMPASI KOMPLESİ	PUMP ASS'Y, FUEL FEED	1					
1	H259080120	KAPAK KİTİ	COVER KIT	1					
2	H259080101A	KANATÇIK VE ROTOR KİTİ	KIT, ROTOR, VANES, KEY	1					
3	H259080121	BY-PASS KİTİ	KIT, BY-PASS	1					
4	H259080102A	KANATÇIK KİTİ	KIT, BLADES	1					
5	H259080122	KEÇE, ŞAFT	SHAFT SEAL	1					
6	H259080123	KEÇE TAKIMI	KIT, SEAL	1					
7	H259080108A	ANAHTARLI ELEKTRİK KİTİ	ELEC. BOX with SWIT.	1					
8	H259080107	ANAHTAR	SWITCH, FUEL FEED PUMP	1					
9	H259080105	SİGORTA KİTİ	FUSE KIT	1					
9-1	52706100	SİGORTA	FUSE	1					
10	H259080104A	ELEKTRİK MOTOR KİTİ, YAKIT POMPASI	KIT, MOTOR with SUP.	1					
11	H259080103A	BRAKET KİTİ	KIT, PUMP SUPPORT	1					
11-1	H259080109A	BRAKET	PUMP SUPPORT	1					

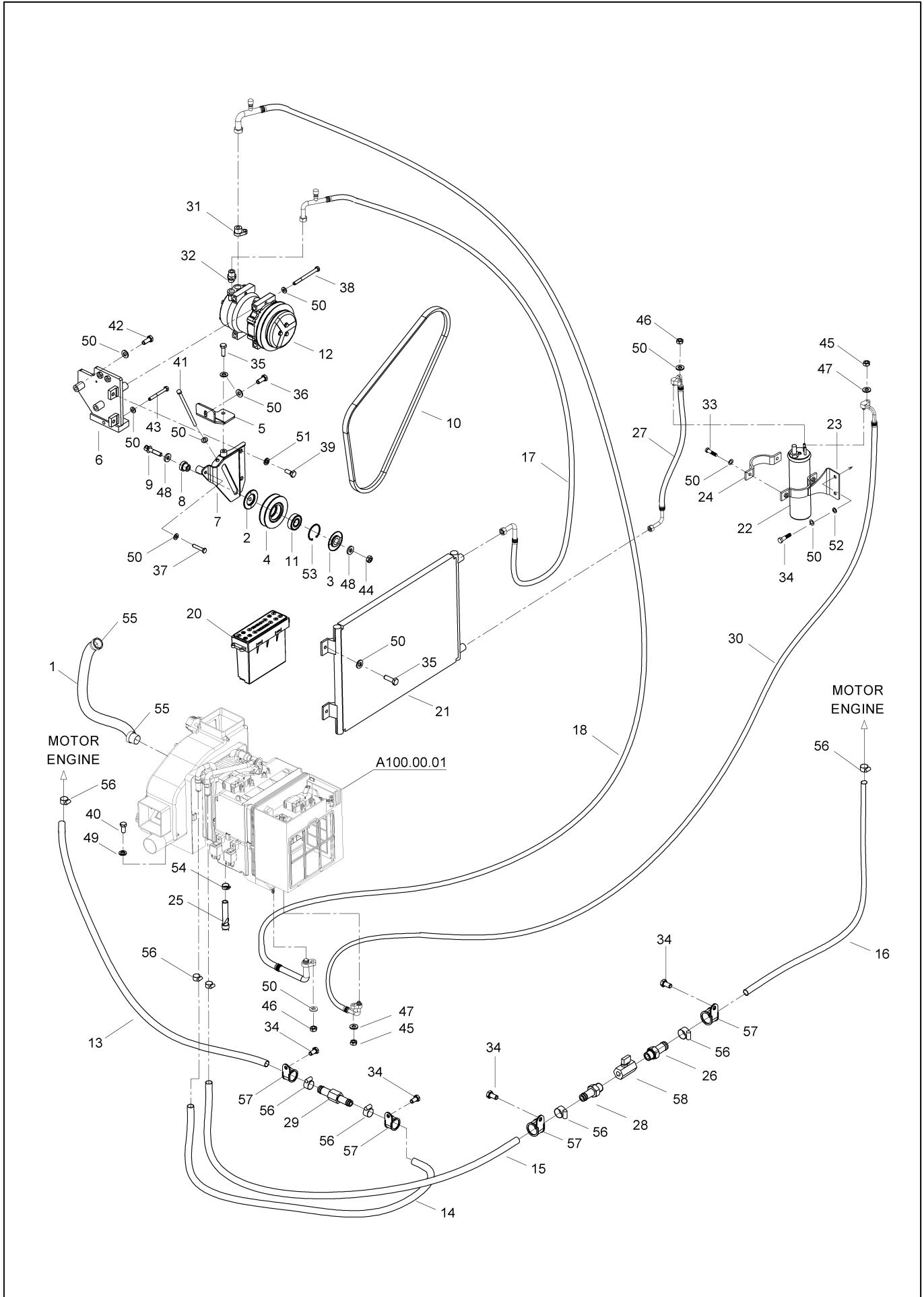
# KLİMA VE KALORİFER MONTAJI AIRCONDITION AND HEATER MOUNTING



**KLİMA VE KALORİFER MONTAJI**  
**AIRCONDITION AND HEATER MOUNTING**

No	Parça No	Parça Adı		Adet	S.K.	Bas.S.N	Bit.S.N	Y.K.	Not
No	Part no	Description		Qty	SC	S/N from	S/N to	ICA	Note
1	H069111000	HORTUM, KAĞIT	AIR HOSE	1					
2	H202710300	KAPAK	COVER	1					
3	H202710400	KAPAK	COVER	1					
4	H202710500	KASNAK	PULLEY	1					
5	H202710600	DESTEK SACI	SUPPORT PLATE	1					
6	H202711600	BRAKET K.M., KOMPRESÖR	BRACKET W.A., COMPRESSOR	1					
7	H202711700	DESTEK K.M.	SUPPORT W.A.	1					
8	H202711800	BURÇ	BUSHING	1					
9	H202711900	AYAR CIVATASI	SCREW, SET	1					
10	H202712000	KAYIŞ, KLİMA	V-BELT	1					
11	H202712100	RULMAN	BEARING	1					
12	H202712400	KOMPRESÖR, A/C	COMPRESSOR, A/C	1					
13	H202712700	HORTUM, KALORİFER	HOSE, HEATER	1					
14	H202712800	HORTUM, KALORİFER	HOSE, HEATER	1					
15	H202712900	HORTUM, KALORİFER	HOSE, HEATER	1					
16	H202713000	HORTUM, KALORİFER	HOSE, HEATER	1					
17	H252721300	HORTUM KOMPLESİ	DISCHARGE HOSE	1					
18	H252721400	HORTUM KOMPLESİ	SUCTION HOSE	1					
20	H342700402	KONTROL ÜNİTESİ, KLİMA	CONTROL UNIT, A/C	1					
21	H342700602	KONDENSER	CONDENSER	1					
22	H342700701	KURUTUCU	DRIER	1					
23	H342700801	BRAKET K.M., KURUTUCU	BRACKET W.A., DRIER	1					
24	H342703502	KELEPÇE, KURUTUCU	CLAMP, DRIER	1					
25	H342704501	ÇAMURLUK, ARA KAPLAMA	FENDER	1					
26	H342711200	NİPEL	ADAPTER	1					
27	H342730301	HORTUM KOMPLESİ	HOSE ASS'Y, A/C	1					
28	H342735901	NİPEL	ADAPTER	1					
29	H342736001	NİPEL	ADAPTER	1					
30	H342741300	HORTUM KOMPLESİ	LIQUID HOSE-B	1					
31	M112700300	NİPEL	ADAPTER	1					
32	M112700400	NİPEL	ADAPTER	1					
33	N010231478	CIVATA	BOLT	2					M6x15
34	N010232078	CIVATA	BOLT	6					M8x15
35	N010232138	CIVATA	BOLT	5					M8x25
36	N010232140	CIVATA	BOLT	1					M8x20
37	N010232186	CIVATA	BOLT	1					M8X40
38	N010232331	CIVATA	BOLT	4					M8x100
39	N010232462	CIVATA	BOLT	2					M10x25
40	N010232822	CIVATA	BOLT	4					M12x25
41	N010236878	CIVATA	BOLT	1					M8x160
42	N010380434	CIVATA	BOLT	2					M8x55
43	N010380446	CIVATA	BOLT	1					M8x60
44	N023570206	SOMUN	NUT	1					M10
45	N025900050	SOMUN	NUT	2					M6
46	N025900062	SOMUN	NUT	2					M8
47	N030100013	PUL	WASHER	2					M6
48	N030560002	PUL	WASHER	2					M10
49	N030810001	PUL	WASHER	4					M12

# KLİMA VE KALORİFER MONTAJI AIRCONDITION AND HEATER MOUNTING

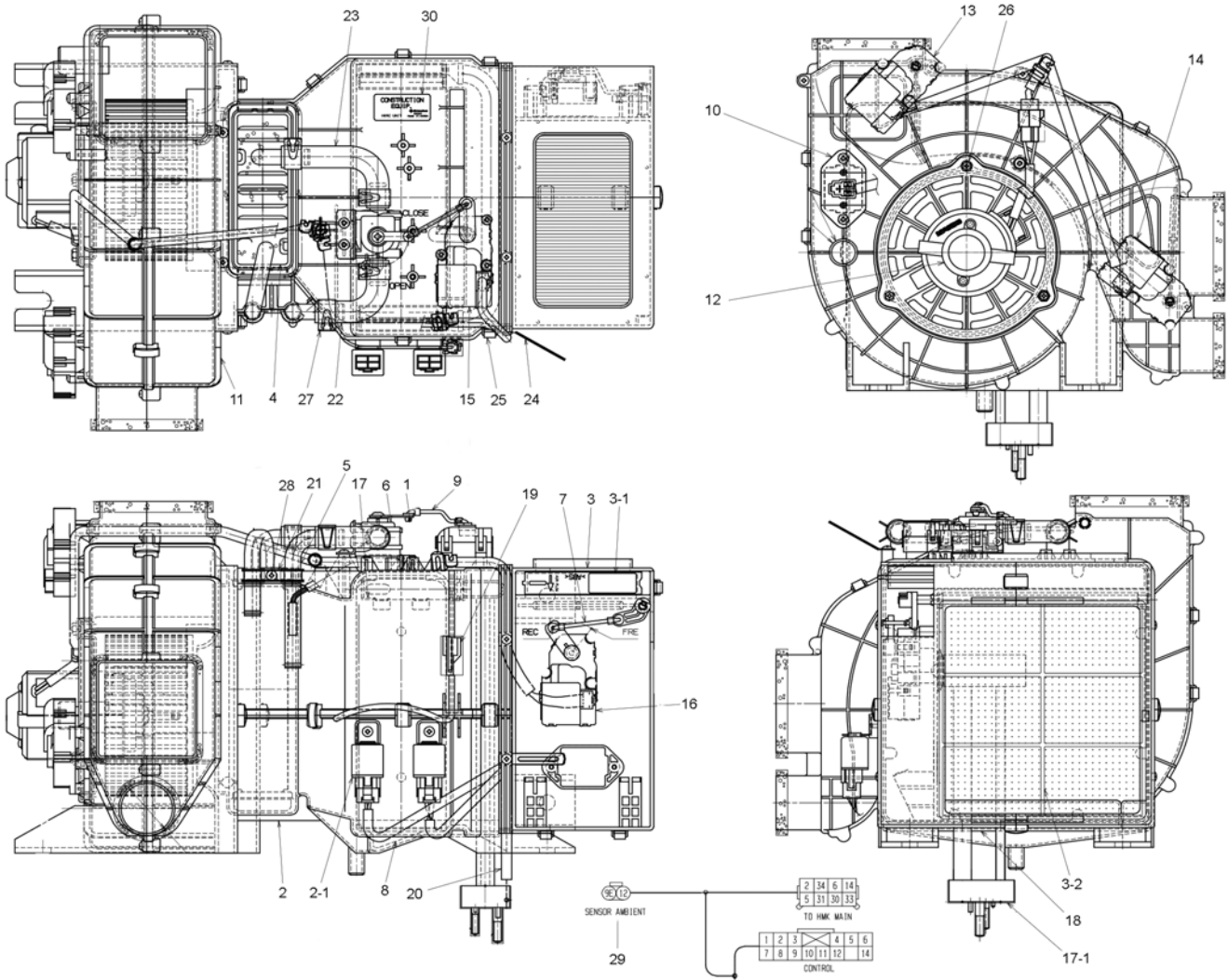




**KLİMA VE KALORİFER MONTAJI  
AIRCONDITION AND HEATER MOUNTING**

No	Parça No	Parça Adı		Adet	S.K.	Bas.S.N	Bit.S.N	Y.K.	Not
No	Part no		Description	Qty	SC	S/N from	S/N to	ICA	Note
50	N030810014	PUL	WASHER	19					M8
51	N030810015	PUL	WASHER	2					M10
52	N031310008	YAYLI RONDELA	SPRING WASHER	2					M6
53	N050220131	SEGMAN	RETAINING RING	1					
54	N074020816	KELEPÇE	CLAMP	1					
55	N074022032	KELEPÇE	CLAMP	2					
56	N074521627	KELEPÇE	CLAMP	8					
57	N077012508	KELEPÇE	CLAMP	4					
58	N140030300	KÜRESEL VANA	BALL VALVE	1					

# KLİMA VE KALORİFER ÜNİTESİ AIRCONDITION AND HEATER UNIT



## KLİMA VE KALORİFER ÜNİTESİ AIRCONDITION AND HEATER UNIT

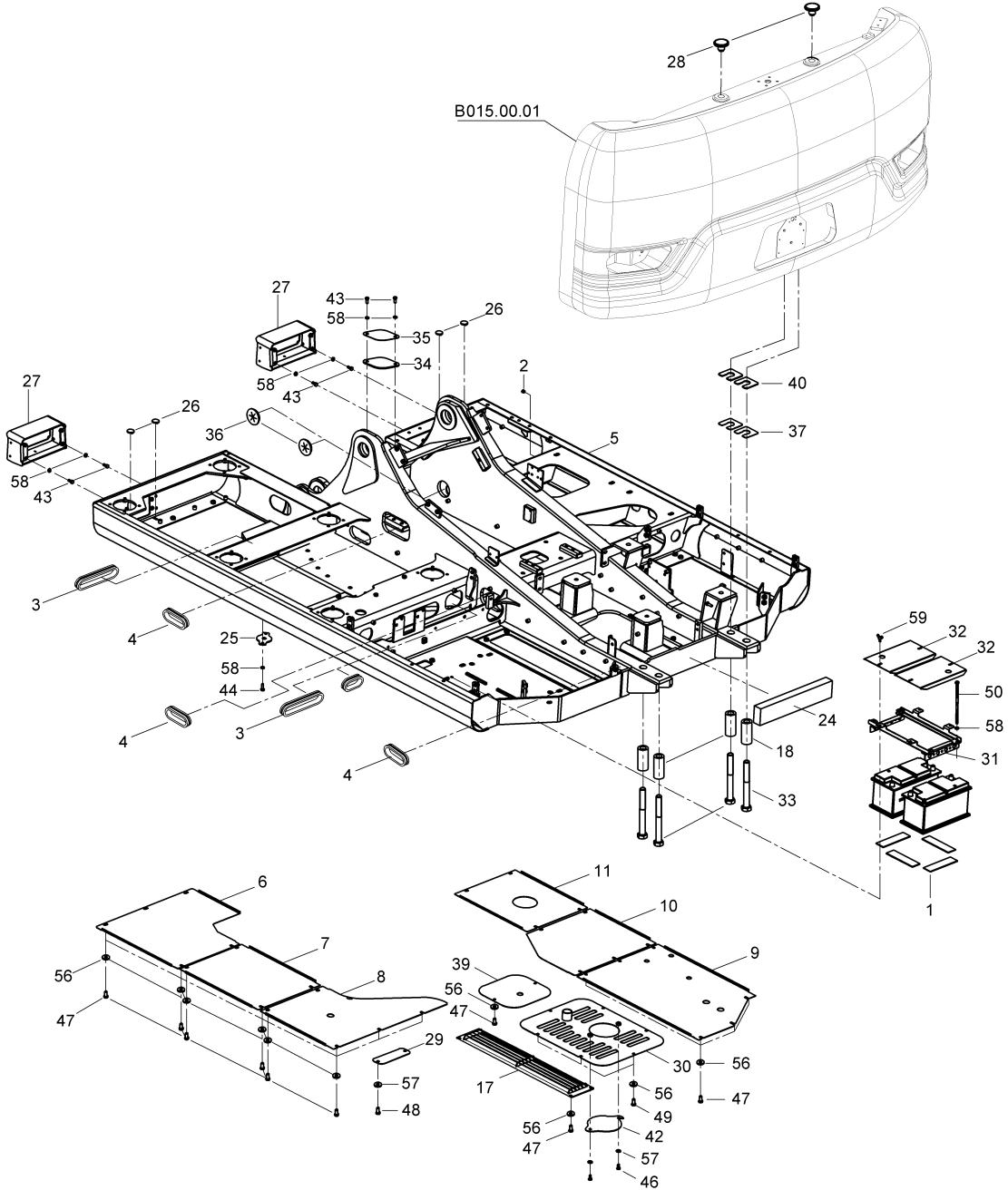
No	Parça No	Parça Adı		Adet	S.K.	Bas.S.N	Bit.S.N	Y.K.	Not
No	Part no	Description		Qty	SC	S/N from	S/N to	ICA	Note
0	H342700302	KLİMA ÜNİTESİ	AIRCONDITION UNIT	1					
1	H349084004	ÜNİTE KASASI, ÜST	CASE ASS'Y, UPPER	1					
2	H349084005	ÜNİTE KASASI, ALT	CASE ASS'Y, LOWER	1					
2-1	H349084032A	RÖLE	RELAY	2					
3	H349084006A	HAVA GİRİŞ HAZNESİ KOMPLESİ	INTAKE CASE ASS'Y	1					
3-1	H349084002	FİLTRE, DIŞ HAVA	EXTERNAL FILTER	1					
3-2	H349084003	FİLTRE, İÇ HAVA	INTERNAL FILTER	1					
4	H349084007	KALORİFER PETEĞİ	HEATER CORE	1					
5	H349084057	GİRİŞ BORUSU VE SICAKLIK SENSÖR KOMPLESİ	INLET PIPE &TEMP.SENSOR ASS'Y	1					
6	H349084051	VANA, SU	VALVE ASS'Y, WATER	1					
7	H349084009	ROD, HAVA GİRİŞ	INTAKE ROD	1					
8	H349084058	SÜNGER	EVAP INSU. LOW	1					
9	H349084052	ÇUBUK	ROD TEMP	1					
10	H349084056	TRANSİSTÖR, GÜÇ	POWER TR	1					
11	H349084012A	BLOWER FAN KASASI	CASE ASS'Y, BLOWER	1					
12	H349084013	FAN MOTORU KOMPLESİ	FAN-MOTOR ASS'Y	1					
13	H349084014	KUMANDA MOTORU, ARKA MENFEZ	MODE/ACTUATOR ASS'Y, VENT	1					
14	H349084015	KUMANDA MOTORU, BUĞU ÇÖZÜCÜ MENFEZ	MODE/ACTUATOR ASS'Y, DEF/FOOT	1					
15	H349084053	KUMANDA MOTORU, SICAKLIK	MODE/ACTUATOR ASS'Y, TEMP	1					
16	H349084017	KUMANDA MOTORU, İÇ HAVA	MODE/ACTUATOR ASS'Y, INTAKE	1					
17	H349084018	EVAPORATÖR PETEK KOMPLESİ	EVAPORATOR CORE ASS'Y	1					
17-1	H349084019	KAPAK	CAP, FLANGE	1					
18	H349084021	YAN PLAKA	SIDE PLATE	1					
19	H349084022	SENSÖR, SICAKLIK	DUCT SENSOR	1					
20	H349084054	ELEKTRİK TESİSATI, KLİMA ÜNİTESİ	HARNESS, A/C	1					
21	H349084024	KELEPÇE	H/RAD. PIPE CLAMP	1					
22	H349084059	HORTUM, SU	WATER HOSE	1					
23	H349084060	HORTUM, SU	WATER HOSE	1					
24	H349084026	KABLO TUTUCU	WIRE HOLDER	6					
25	H349084027	KELEPÇE	CLIP, CASE	9					
26	H349084028	VİDA	HEX. HEAD SCREW	3					
27	H349084029A	KELEPÇE	HOSE CLAMP ASS'Y	1					
28	H349084030	VİDA	SCREW	29					
29	H349084055	SENSÖR, ÇEVRE SICAKLIK	SENSOR, AMBIENT TEMP.	2					
30	H349084031A	İSİM PLAKASI, ORANSAL VALF	NAME PLATE	1					

## B - ŐASİ VE KAPORTA

### B - FRAME & COWLING

Sayfa No / Page No	Sayfa Adı	Page Name	Revizyon / Revision
B010.00.01	ÜST ŐASİ VE ALT KAPAK MONTAJI	UPPER FRAME AND UNDER COVER MOUNTING	
B015.00.01	ARKA AĖIRLIK MONTAJI	COUNTER WEIGHT MOUNTING	
B030.00.01	KAPAK SACI, FİBER KAPAK VE KORKULUK MONTAJI	COVERS & STAY MOUNTING	
B040.00.01	YÜRÜME SAÇLARI	ANTI-SLIP WALKWAY	
B050.00.01	KAPORTA MONTAJI, SAĖ	COWLING ASS'Y, RH	
B060.00.01	KAPI MONTAJI, SAĖ	DOOR MOUNTING, RH	
B070.00.01	KAPORTA MONTAJI, SOL	COWLING ASS'Y, LEFT	
B080.00.01	KAPI MONTAJI, SOL	DOOR MOUNTING, LH	
B090.00.01	KAPORTA MONTAJI, A.K.V.	COWLING ASS'Y, M.C.V.	
B100.00.01	MOTOR KAPUT MONTAJI	ENGINE HOOD MOUNTING	
B110.00.01	DEPO KAPAK MONTAJI	TANK COVER MOUNTING	
B120.00.01	ALT ŐASİ MONTAJI	LOWER FRAME MOUNTING	
B180.00.01	DOZER BIĖAĖI MONTAJI	DOZER BLADE MOUNTING	
B200.00.01	AYAK MONTAJI	OUTRIGGER MOUNTING	

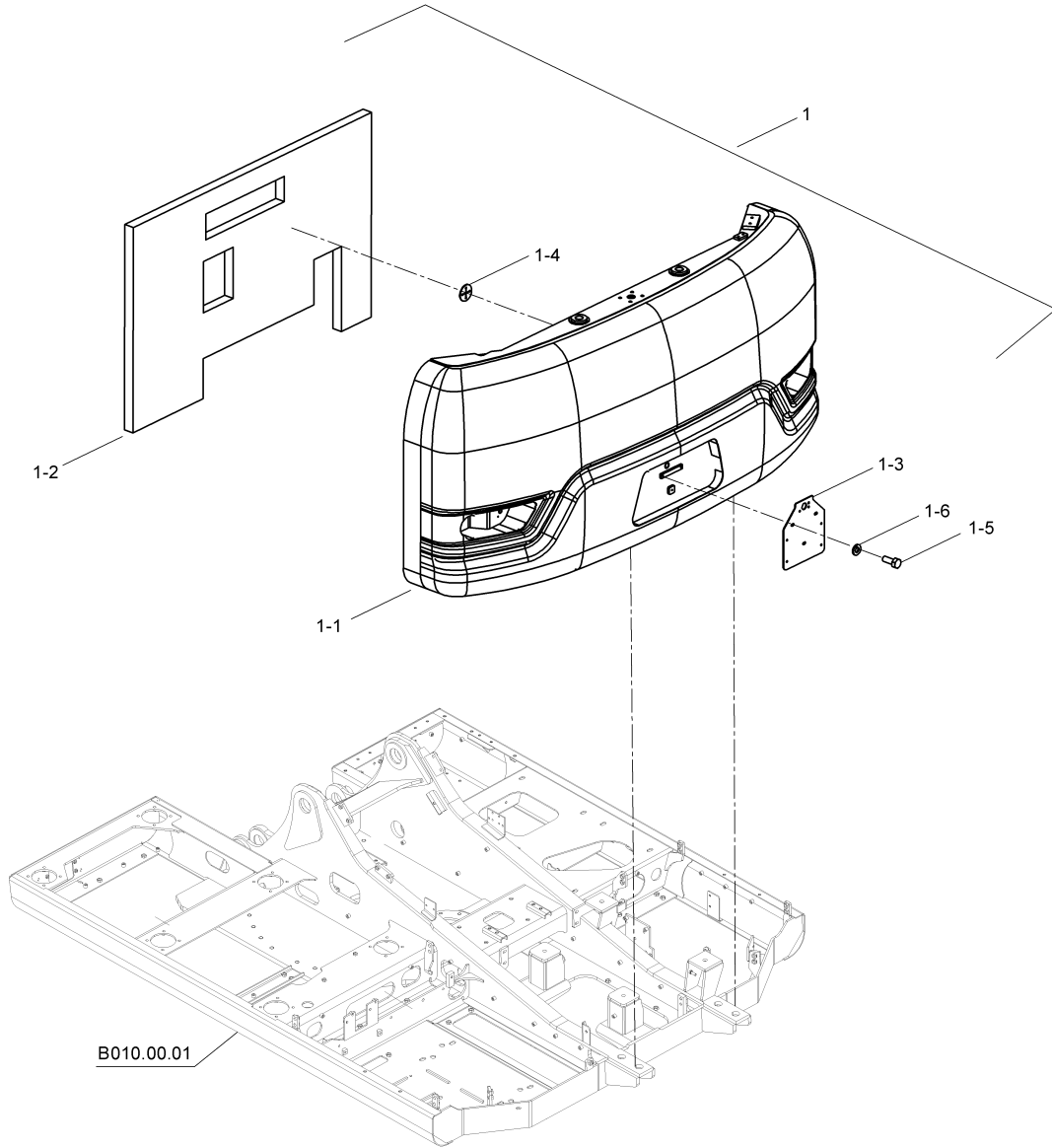
## ÜST ŞAŞI VE ALT KAPAK MONTAJI UPPER FRAME AND UNDER COVER MOUNTING



**ÜST ŞASI VE ALT KAPAK MONTAJI**  
**UPPER FRAME AND UNDER COVER MOUNTING**

No	Parça No	Parça Adı	Adet	S.K.	Bas.S.N	Bit.S.N	Y.K.	Not
No	Part no	Description	Qty	SC	S/N from	S/N to	ICA	Note
1	02040190	LASTİK	4					
2	98U010310	TAPA	4					
3	98Y040110	GROMET	1					
4	98Y040130	GROMET	3					
5	H201020101	ÜST ŞASI K.M.	1					
6	H201200204	KAPAK SACI, ALT	1					
7	H201200302	KAPAK SACI, ALT	1					
8	H201200402	KAPAK SACI, ALT	1					
9	H201200703	KAPAK SACI, ALT	1					
10	H201200801	KAPAK SACI, ALT	1					
11	H201200901	KAPAK SACI, ALT	1					
17	H201202600	KAPAK SACI K.M., ALT	1					
18	H201203900	MESAFE BORUSU	4					
24	H201220400	SÜNGER	1					
25	H221202400	KAPAK SACI	1					
26	H221211400	LASTİK TAPA	4					
27	H231230202	BRAKET K.M.	2					
28	H251210101	TAPA	2					
29	H251220501	KAPAK SACI	1					
30	H301210800	KAPAK SACI K.M., ALT	1					
31	H301211000	AKÜ SABİTLEMESİ	1					
32	H301211500	KAPAK SACI, AKÜ	2					
33	H341201202	CIVATA, ARKA AĞIRLIK	4					
34	H341201500	KAPAK SACI	1					
35	H341201600	KAPAK SACI	1					
36	H341203900	TAPA	2					
37	H341213603	ŞİM	4					
39	H341230400	KAPAK SACI, ALT	1					
40	H341237400	ŞİM	4					
42	H371211700	KAPAK SACI	1					
43	N010232462	CIVATA	10					M10x25
44	N010232486	CIVATA	2					M10x30
46	N010232798	CIVATA	2					M12x20
47	N010232822	CIVATA	35					M12x25
48	N010232846	CIVATA	2					M12x30
49	N010232858	CIVATA	6					M12x35
50	N010380795	CIVATA	4					M10x240
56	N030560004	PUL	41					M12
57	N030810001	PUL	4					M12
58	N030810015	PUL	16					M10
59	N042180374	CIVATA, ÖZEL	4					M8x16

# ARKA AĞIRLIK MONTAJI COUNTER WEIGHT MOUNTING

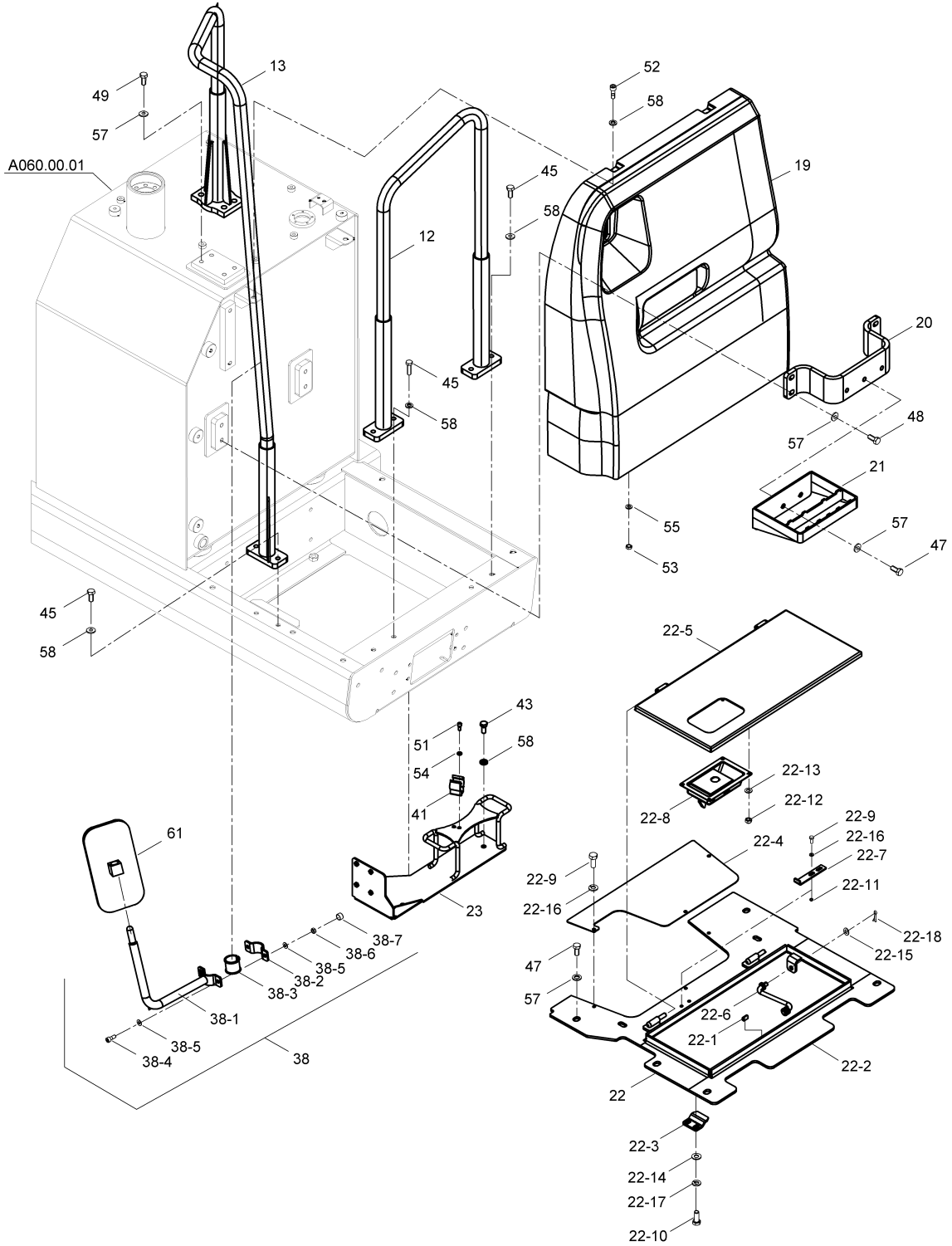


**ARKA AĞIRLIK MONTAJI**  
**COUNTER WEIGHT MOUNTING**

No	Parça No	Parça Adı		Adet	S.K.	Bas.S.N	Bit.S.N	Y.K.	Not
No	Part no		Description	Qty	SC	S/N from	S/N to	ICA	Note
1	H201209000	ARKA AĞIRLIK KOMPLESİ	COUNTER WEIGHT ASS'Y	1					
1-1	H201209100	ARKA AĞIRLIK K.M.	COUNTER WEIGHT W.A.	1					
1-2	H201213301	SÜNGER	SPONGE	1					
1-3	H231211000	SAC, PLAKA	PLATE	1					
1-4	H341139700	SÜNGER TUTUCU	HOLDER, SPONGE	5					
1-5	N010221478	CIVATA	BOLT	3					M6x15
1-6	N031310008	YAYLI RONDELA	SPRING WASHER	3					M6



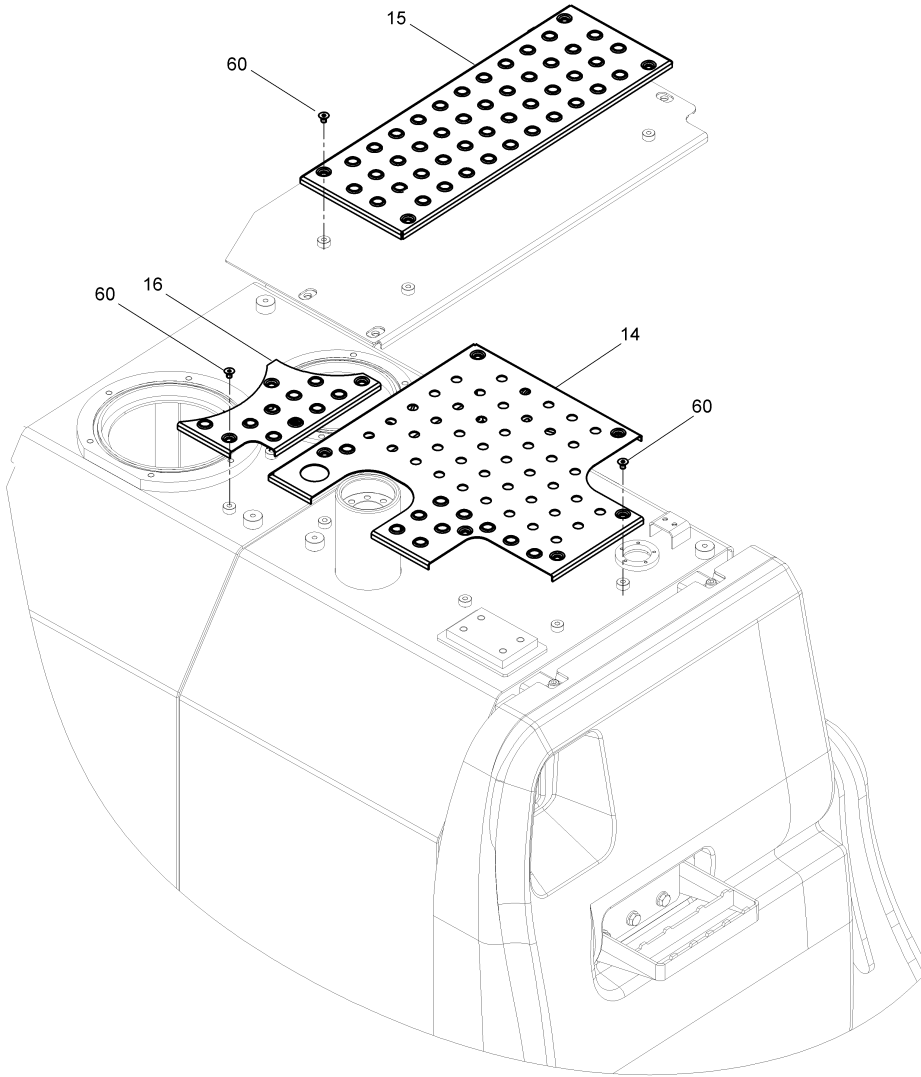
### KAPAK SACI, FİBER KAPAK VE KORKULUK MONTAJI COVERS & STAY MOUNTING



**KAPAK SACI, FİBER KAPAK VE KORKULUK MONTAJI  
COVERS & STAY MOUNTING**

No	Parça No	Parça Adı	Adet	S.K.	Bas.S.N	Bit.S.N	Y.K.	Not
No	Part no	Description	Qty	SC	S/N from	S/N to	ICA	Note
12	H201201100	KORKULUK K.M., ÖN	1					
13	H201201402	KORKULUK K.M.	1					
19	H201206000	TANK KAPAĞI, YAKIT	1					
20	H201206300	BRAKET	1					
21	H201206400	BASAMAK K.M.	1					
22	H201207001	KAPAK SACI KOMPLESİ	1					
22-1	H130135102	FİTİL	1					
22-2	H201207101	KAPAK SACI K.M.	1					
22-3	H201207600	KİLİT KARŞILIĞI	1					
22-4	H201207800	KAPAK SACI	1					
22-5	H201207901	KAPAK K.M.	1					
22-6	H201208401	DESTEK	1					
22-7	H234105400	TAHDİT SACI	1					
22-8	H341182900	KİLİT, KAPI	1					
22-9	N010221478	CIVATA	5					M6x15
22-10	N010232114	CIVATA	2					M8x20
22-11	N024770037	SOMUN	1					M6
22-12	N025880026	SOMUN	4					M5
22-13	N030100011	PUL	4					M5
22-14	N030100016	PUL	2					M8
22-15	N030100020	PUL	1					M10
22-16	N031310008	YAYLI RONDELA	5					M6
22-17	N031310010	YAYLI RONDELA	2					M8
22-18	N061002015	GUPİLYA	1					
23	H201208700	BRAKET K.M.	1					
38	H341217901	AYNA KOLU KOMPLESİ	1					
38-1	H341218700	AYNA KOLU K.M.	1					
38-2	H341218800	KELEPÇE	1					
38-3	H341218900	LASTİK	1					
38-4	N015890458	CIVATA	2					
38-5	N030100017	PUL	2					
38-6	N025900062	SOMUN	2					
38-7	81400155	CIVATA KAPAĞI	4					
41	H341248800	SAC, TUTUCU	1					
43	N010232462	CIVATA	3					M10x25
45	N010232498	CIVATA	6					M10x35
47	N010232822	CIVATA	8					M12x25
48	N010232846	CIVATA	4					M12x30
49	N010232858	CIVATA	4					M12x35
51	N015870302	CIVATA	2					M6x16
52	N015890818	CIVATA	2					M10x30
53	N023570206	SOMUN	2					M10
54	N030090013	PUL	2					M6
55	N030560002	PUL	2					M10
57	N030810001	PUL	16					M12
58	N030810015	PUL	11					M10
61	S9100967	AYNA	1					

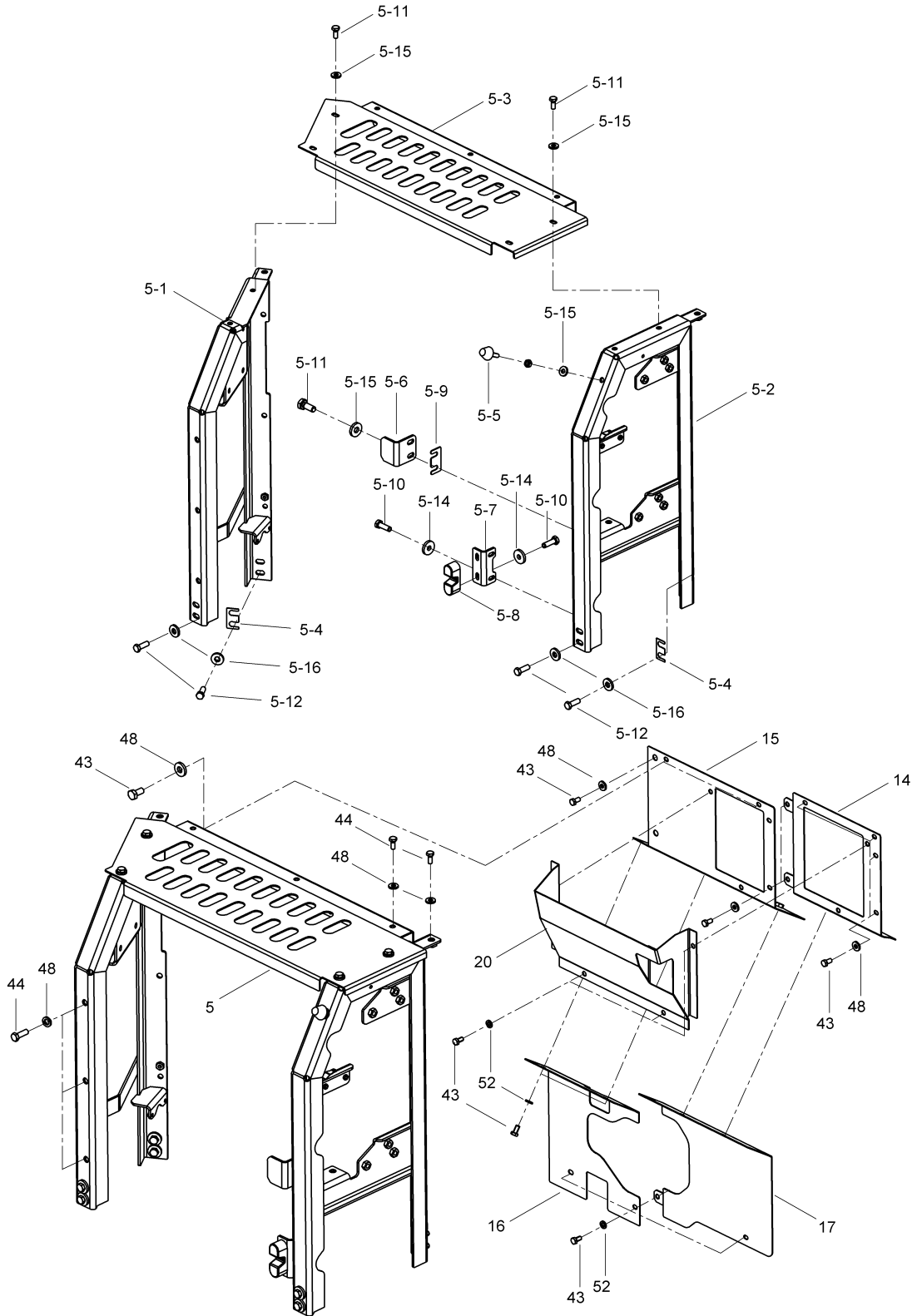
## YÜRÜME SAÇLARI ANTI-SLIP WALKWAY



**YÜRÜME SAÇLARI  
ANTI-SLIP WALKWAY**

No	Parça No	Parça Adı		Adet	S.K.	Bas.S.N	Bit.S.N	Y.K.	Not
No	Part no		Description	Qty	SC	S/N from	S/N to	ICA	Note
14	H201201600	YÜRÜME SACI, KAYDIRMAZ	ANTI-SLIP WALKWAY	1					
15	H201201700	YÜRÜME SACI, KAYDIRMAZ	ANTI-SLIP WALKWAY	1					
16	H201201800	YÜRÜME SACI, KAYDIRMAZ	ANTI-SLIP WALKWAY	1					
60	N044320470	VİDA	SCREW	13					M8x12

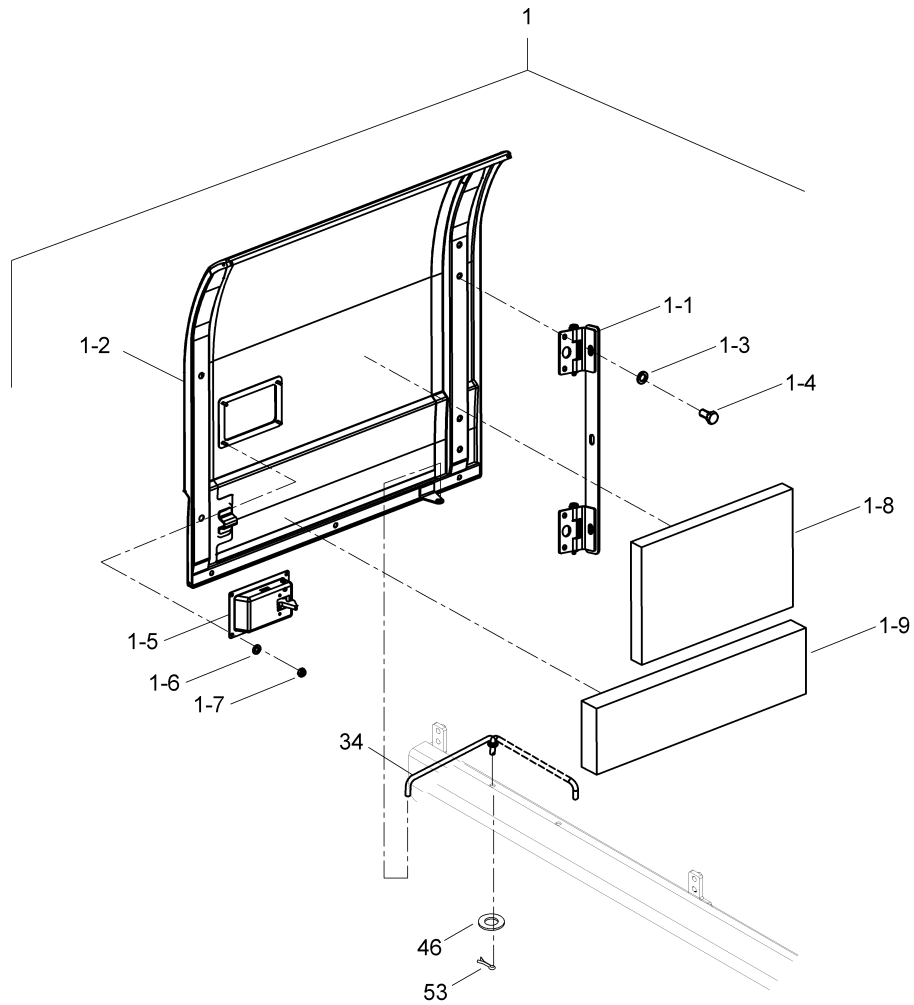
KAPORTA MONTAJI, SAĞ  
COWLING ASS'Y, RH



**KAPORTA MONTAJI, SAĞ  
COWLING ASS'Y, RH**

No	Parça No	Parça Adı		Adet	S.K.	Bas.S.N	Bit.S.N	Y.K.	Not
No	Part no	Description		Qty	SC	S/N from	S/N to	ICA	Note
5	H201133500	ÇERÇEVE KOMPLESİ, POMPA	FRAME ASS'Y, PUMP	1					
5-1	H201133601	DESTEK K.M., SOL	SUPPORT W.A., LH	1					
5-2	H201133901	DESTEK K.M., SAĞ	SUPPORT W.A., RH	1					
5-3	H201134301	DESTEK K.M., ÜST	SUPPORT W.A., UPPER	1					
5-4	H251161500	ŞİM	SHIM	2					
5-5	H341102900	TAHDİT TAKOZU	STOPPER	1					
5-6	H341103104	KİLİT KARŞILIĞI	PLATE, LOCK	1					
5-7	H341183601	BRAKET	BRACKET	1					
5-8	H371128900	TAHDİT TAKOZU	STOPPER	1					
5-9	H371162100	ŞİM	SHIM	1					
5-10	N010232138	CIVATA	BOLT	4					M8x25
5-11	N010232462	CIVATA	BOLT	6					
5-12	N010232858	CIVATA	BOLT	8					M12x35
5-14	N030560001	PUL	WASHER	4					M8
5-15	N030560002	PUL	WASHER	7					M10
5-16	N030560004	PUL	WASHER	8					M12
14	H201136501	ARA SAC K.M., POMPA	COVER W.A., PUMP	1					
15	H201136801	ARA SAC K.M., POMPA	COVER W.A., PUMP	1					
16	H201137001	ARA SAC, POMPA	COVER, PUMP	1					
17	H201137101	ARA SAC K.M., POMPA	COVER W.A., PUMP	1					
20	H201137801	ARA SAC, POMPA	COVER, PUMP	1					
43	N010232438	CIVATA	BOLT	21					
44	N010232462	CIVATA	BOLT	10					M10x2
48	N030560002	PUL	WASHER	16					
52	N030810015	PUL	WASHER	14					

# KAPI MONTAJI, SAĞ DOOR MOUNTING, RH

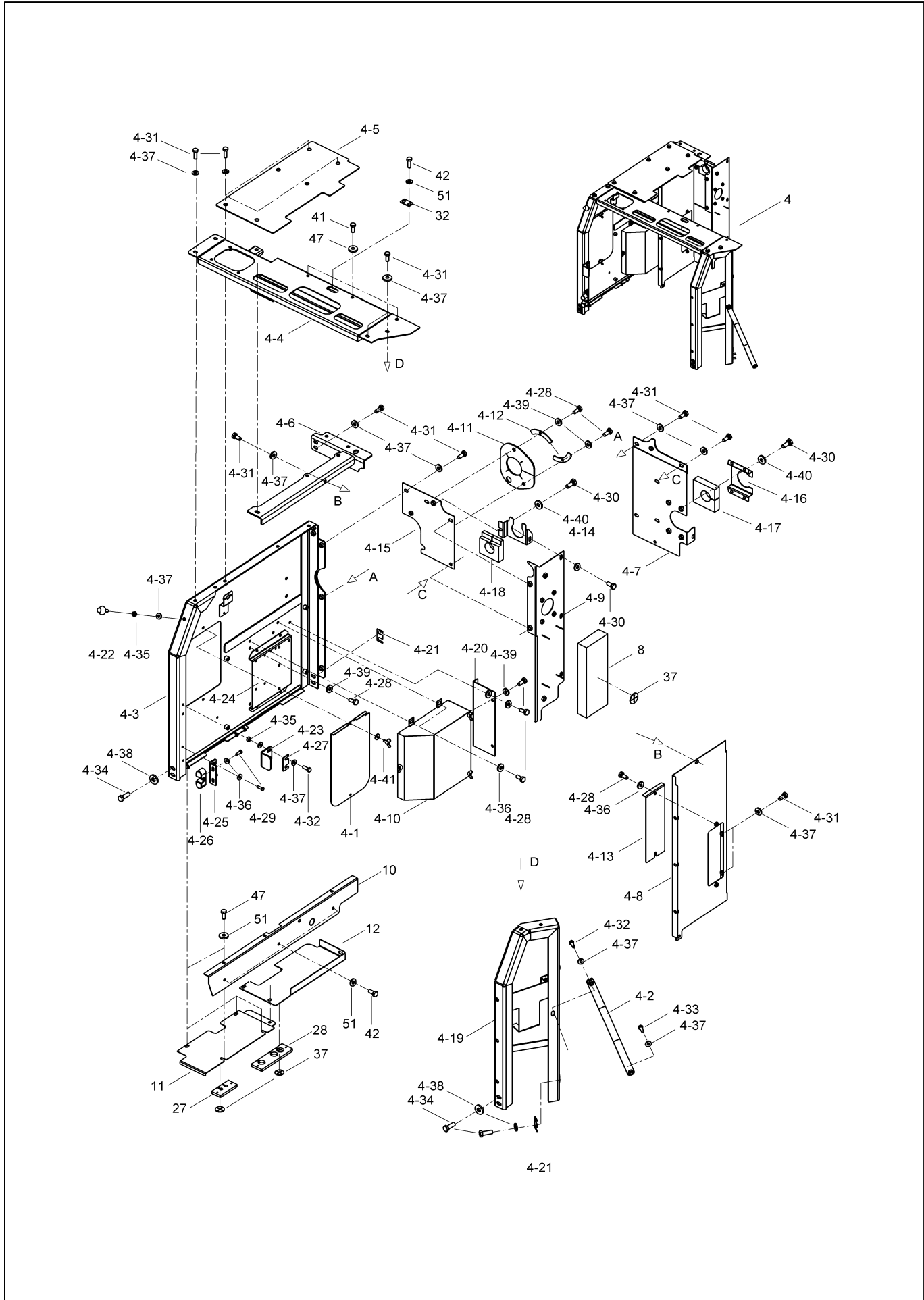


**KAPI MONTAJI, SAĞ**  
**DOOR MOUNTING, RH**

No	Parça No	Parça Adı		Adet	S.K.	Bas.S.N	Bit.S.N	Y.K.	Not
No	Part no	Description		Qty	SC	S/N from	S/N to	ICA	Note
1	H201109002	KAPI KOMPLESİ, POMPA	DOOR ASS'Y, PUMP	1					
1-1	H341185400	MENTEŞE K.M., KAPI	HINGE W.A., DOOR	1					
1-2	H201109102	KAPI K.M., POMPA	DOOR W.A., PUMP	1					
1-3	N031310011	YAYLI RONDELA	SPRING WASHER	4					M10
1-4	N010232438	CIVATA	BOLT	4					M10x20
1-5	H341182900	KİLİT, KAPI	LOCK, DOOR	1					DJ52
1-5	H341182901	KİLİT, KAPI	LOCK, DOOR	1					DJ53
1-5	H341182902	KİLİT, KAPI	LOCK, DOOR	1					DJ54
1-5	H341182903	KİLİT, KAPI	LOCK, DOOR	1					DJ55
1-5	H341182904	KİLİT, KAPI	LOCK, DOOR	1					DJ56
1-6	N030100011	PUL	WASHER	4					
1-7	N025880026	SOMUN	NUT	4					
1-8	H201109500	SÜNGER	SPONGE	1					
1-9	H201135000	SÜNGER	SPONGE	1					
34	H341105301	SABİTLEYİCİ K.M.	FIXING BAR W.A.	1					
46	N030312201	PUL	WASHER	1					
53	N061002530	GUPİLYA	COTTER PIN	1					



### KAPORTA MONTAJI, SOL COWLING ASS'Y, LEFT



**KAPORTA MONTAJI, SOL  
COWLING ASS'Y, LEFT**

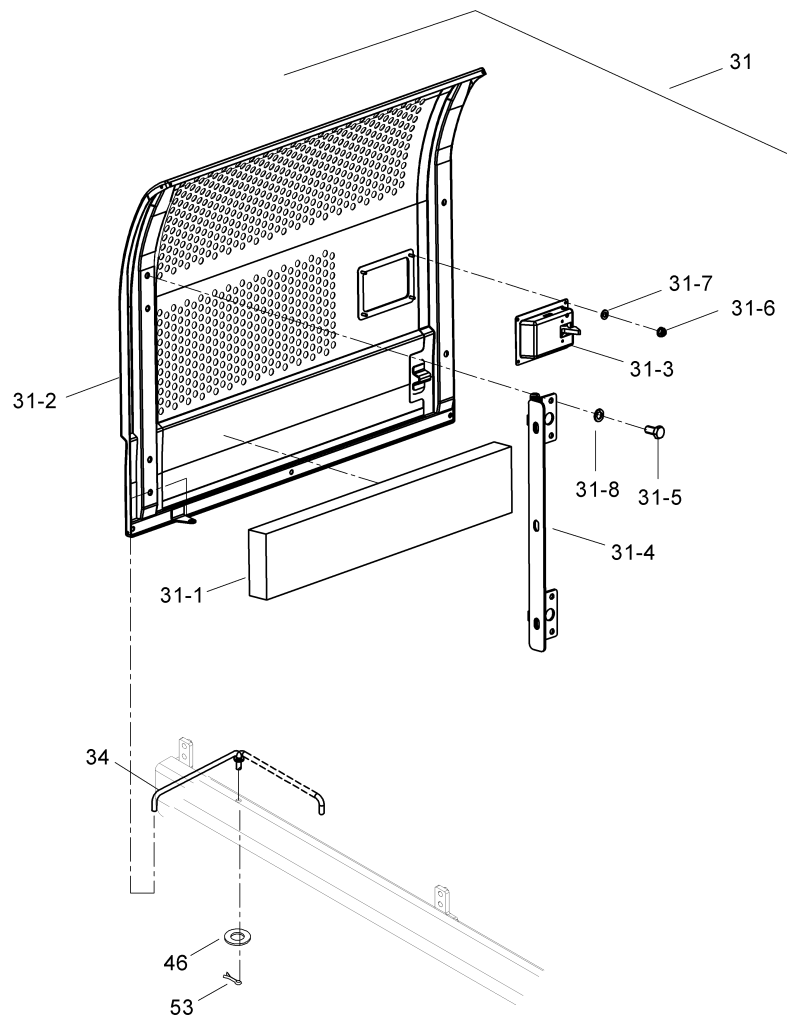
No	Parça No	Parça Adı		Adet	S.K.	Bas.S.N	Bit.S.N	Y.K.	Not
No	Part no	Description		Qty	SC	S/N from	S/N to	ICA	Note
4	H201130101	ÇERÇEVE KOMPLESİ, RADYATÖR	FRAME ASS'Y, RADIATOR	1					
4-1	H201118800	KAPAK SACI	COVER	1					
4-2	H201118900	BAĞLANTI SACI K.M.	PLATE W.A.	1					
4-3	H201130201	DESTEK K.M., SOL	SUPPORT W.A., LH	1					
4-4	H201130801	KAPAK K.M.	COVER W.A.	1					
4-5	H201131201	KAPAK K.M., ÜST	COVER W.A., UPPER	1					
4-6	H201131301	DESTEK K.M.	SUPPORT W.A.	1					
4-7	H201131802	ARA SAC K.M.	COVER W.A.	1					
4-8	H201132001	ARA SAC K.M.	COVER W.A.	1					
4-9	H201132202	ARA SAC K.M.	COVER W.A.	1					
4-10	H201132401	KAPAK SACI K.M.	COVER W.A.	1					
4-11	H201132800	LASTİK	RUBBER	1					
4-12	H201132900	DESTEK SACI	SUPPORT PLATE	2					
4-13	H201139900	KAPAK	COVER	1					
4-14	H201143400	KAPAK SACI	COVER	1					
4-15	H201145400	DESTEK K.M.	SUPPORT W.A.	1					
4-16	H201145601	KAPAK SACI	COVER	1					
4-17	H201145701	SÜNGER	SPONGE	1					
4-18	H201145800	SÜNGER	SPONGE	1					
4-19	H201147000	DESTEK K.M.	SUPPORT W.A.	1					
4-20	H201148800	DESTEK K.M., SAĞ	SUPPORT W.A., RH	1					
4-21	H251161500	ŞİM	SHIM	2					
4-22	H341102900	TAHDİT TAKOZU	STOPPER	1					
4-23	H341103104	KİLİT KARŞILIĞI	PLATE, LOCK	1					
4-24	H341172600	BRAKET K.M.	BRACKET W.A.	1					
4-25	H341183601	BRAKET	BRACKET	1					
4-26	H371128900	TAHDİT TAKOZU	STOPPER	1					
4-27	H371162100	ŞİM	SHIM	1					
4-28	N010232114	CIVATA	BOLT	15					M8x20
4-29	N010232138	CIVATA	BOLT	4					M8x25
4-30	N010232438	CIVATA	BOLT	6					M10x20
4-31	N010232462	CIVATA	BOLT	22					M10x25
4-32	N010232486	CIVATA	BOLT	3					M10x30
4-33	N010232498	CIVATA	BOLT	1					M10x35
4-34	N010232858	CIVATA	BOLT	8					M12x35
4-35	N023570206	SOMUN	NUT	3					M10
4-36	N030560001	PUL	WASHER	11					M8
4-37	N030560002	PUL	WASHER	29					M10
4-38	N030560004	PUL	WASHER	8					M12
4-39	N030810014	PUL	WASHER	10					M8
4-40	N030810015	PUL	WASHER	6					M10
4-41	N042180398	KELEBEK CIVATA	BOLT	2					M8x16
8	H201134900	SÜNGER	SPONGE	1					
10	H201135601	DESTEK K.M.	SUPPORT W.A.	1					
11	H201135801	KAPAK SACI K.M.	COVER W.A.	1					
12	H201136001	KAPAK SACI K.M.	COVER W.A.	1					
27	H201143000	LASTİK	RUBBER	1					
28	H201143100	LASTİK	RUBBER	1					



**KAPORTA MONTAJI, SOL  
COWLING ASS'Y, LEFT**

No	Parça No	Parça Adı		Adet	S.K.	Bas.S.N	Bit.S.N	Y.K.	Not
No	Part no		Description	Qty	SC	S/N from	S/N to	ICA	Note
32	H201149300	ŞİM	SHIM	1					
37	H341139700	SÜNGER TUTUCU	HOLDER, SPONGE	8					
41	N010232114	CIVATA	BOLT	11					
42	N010232138	CIVATA	BOLT	3					
47	N030560001	PUL	WASHER	11					
51	N030810014	PUL	WASHER	3					

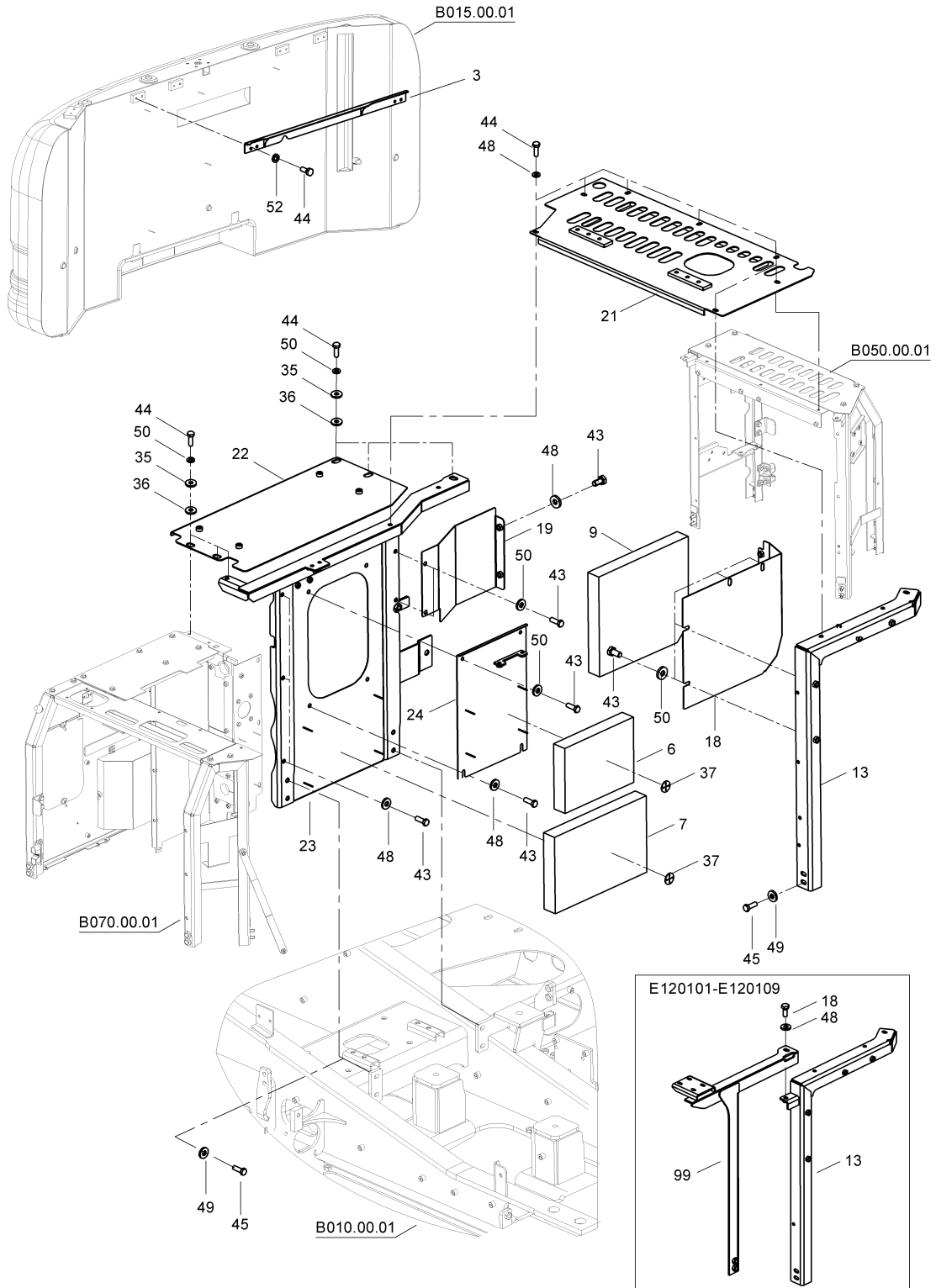
KAPI MONTAJI, SOL  
DOOR MOUNTING, LH



**KAPI MONTAJI, SOL  
DOOR MOUNTING, LH**

No	Parça No	Parça Adı		Adet	S.K.	Bas.S.N	Bit.S.N	Y.K.	Not
No	Part no	Description		Qty	SC	S/N from	S/N to	ICA	Note
31	H201148000	KAPI KOMPLESİ, RADYATÖR	DOOR ASS'Y, RADIATOR	1					
31-1	H201140400	SÜNGER	SPONGE	1					
31-2	H201148100	KAPI K.M., RADYATÖR	DOOR W.A., RADIATOR	1					
31-3	H341182900	KİLİT, KAPI	LOCK, DOOR	1					DJ52
31-3	H341182901	KİLİT, KAPI	LOCK, DOOR	1					DJ53
31-3	H341182902	KİLİT, KAPI	LOCK, DOOR	1					DJ54
31-3	H341182903	KİLİT, KAPI	LOCK, DOOR	1					DJ55
31-3	H341182904	KİLİT, KAPI	LOCK, DOOR	1					DJ56
31-4	H341185200	MENTEŞE K.M., KAPI	HINGE W.A., DOOR	1					
31-5	N010232438	CIVATA	BOLT	4					M10x20
31-6	N025880026	SOMUN	NUT	4					M5
31-7	N030100011	PUL	WASHER	4					M5
31-8	N031310011	YAYLI RONDELA	SPRING WASHER	4					M10
34	H341105301	SABİTLEYİCİ K.M.	FIXING BAR W.A.	1					
46	N030312201	PUL	WASHER	1					
53	N061002530	GUPİLYA	COTTER PIN	1					

### KAPORTA MONTAJI, A.K.V. COWLING ASS'Y, M.C.V.

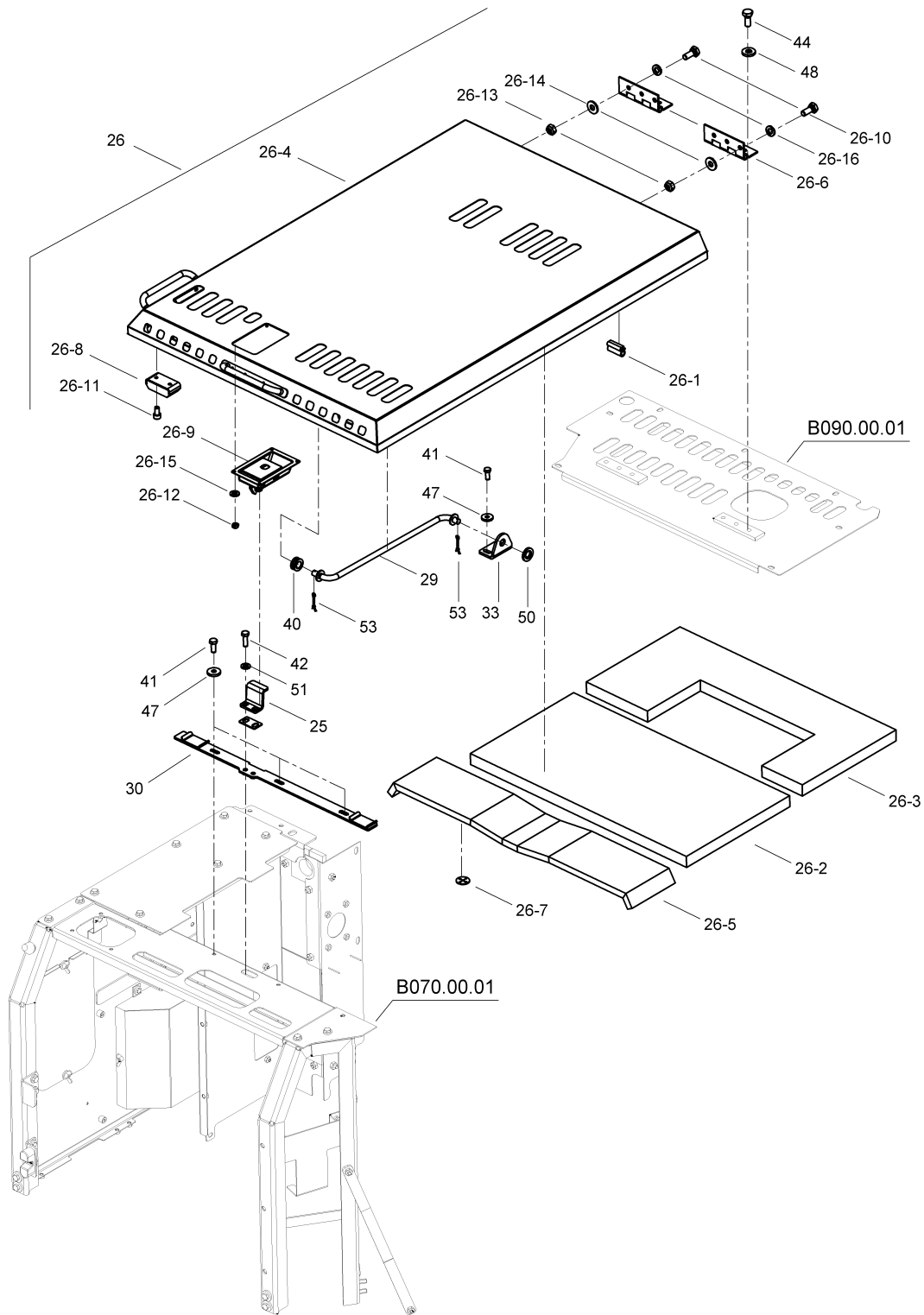


**KAPORTA MONTAJI, A.K.V.  
COWLING ASS'Y, M.C.V.**

No	Parça No	Parça Adı	Description	Adet	S.K.	Bas.S.N	Bit.S.N	Y.K.	Not
No	Part no			Qty	SC	S/N from	S/N to	ICA	Note
3	H201111801	DESTEK K.M.	SUPPORT W.A.	1					
6	H201134700	SÜNGER	SPONGE	1					
7	H201134800	SÜNGER	SPONGE	1					
9	H201135100	SÜNGER	SPONGE	1					
13	H201136201	DESTEK SACI K.M.	SUPPORT PLATE W.A.	1		E120101	E120109		
13	H201136202	DESTEK SACI K.M.	SUPPORT PLATE W.A.	1		E120110		C	
18	H201137401	ARA SAC K.M.	COVER W.A.	1					
19	H201137601	ARA SAC K.M.	COVER W.A.	1					
21	H201137901	ÜST SAC K.M.	COVER PLATE W.A.	1					
22	H201138301	ÜST SAC K.M., A.K.V.	UPPER COVER W.A., M.C.V.	1					
23	H201138501	ARA SAC K.M.	COVER W.A.	1					
24	H201139401	KAPAK K.M.	COVER W.A.	1					
35	H341126600	BAĞLANTI BURCU	BUSHING	6					
36	H341126700	PUL	WASHER	6					
37	H341139700	SÜNGER TUTUCU	HOLDER, SPONGE	12					
43	N010232438	CIVATA	BOLT	14					M10x20
44	N010232462	CIVATA	BOLT	18					M10x2
45	N010232858	CIVATA	BOLT	6					M12x35
48	N030560002	PUL	WASHER	16					M10
49	N030560004	PUL	WASHER	6					M12
50	N030810015	PUL	WASHER	20					M10
99	H201140001	ÜST SAC K.M.	COVER PLATE W.A.	1		E120101	E120109		



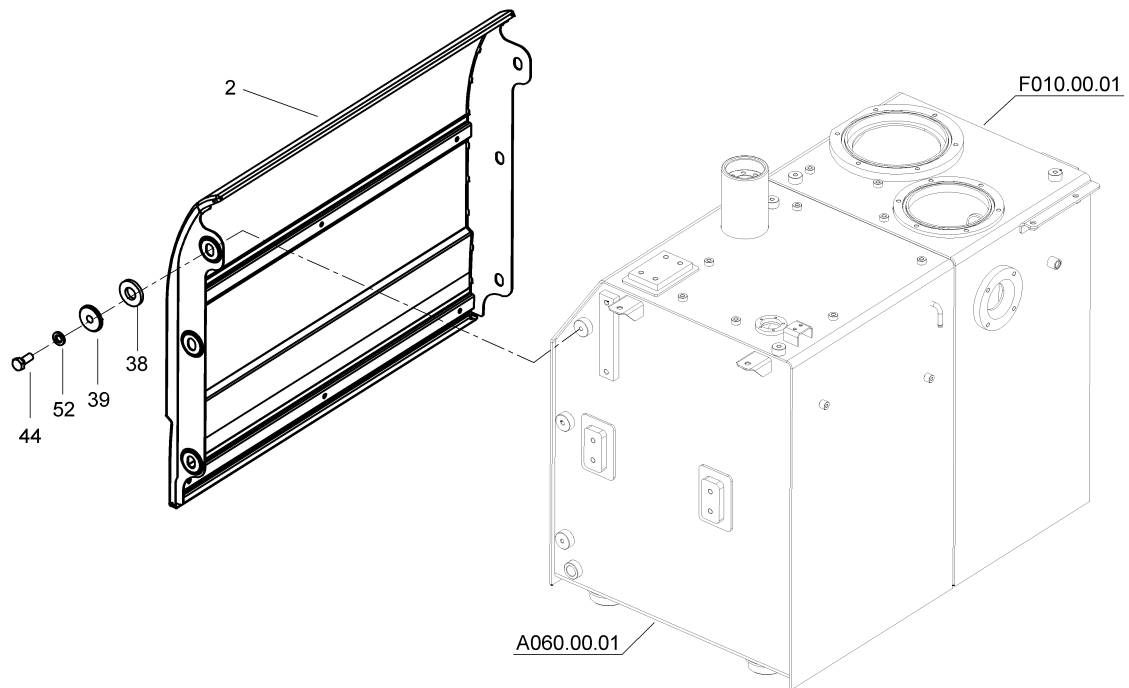
### MOTOR KAPUT MONTAJI ENGINE HOOD MOUNTING



**MOTOR KAPUT MONTAJI  
ENGINE HOOD MOUNTING**

No	Parça No	Parça Adı		Adet	S.K.	Bas.S.N	Bit.S.N	Y.K.	Not
No	Part no	Description		Qty	SC	S/N from	S/N to	ICA	Note
25	H201139800	KİLİT KARŞILIĞI	STRIKER	1					
26	H201141001	MOTOR KAPUTU KOMPLESI	HOOD ASS'Y	1					
26-1	98Z010010	FİTİL	WEATHER STRIP	1					
26-2	H201133100	SÜNGER	SPONGE	1					
26-3	H201133200	SÜNGER	SPONGE	1					
26-4	H201141101	KAPUT K.M.	HOOD W.A.	1					
26-5	H201142500	SÜNGER	SPONGE	1					
26-6	H341126100	MENTEŞE	HINGE	2					
26-7	H341139700	SÜNGER TUTUCU	HOLDER, SPONGE	24					
26-8	H341179000	TAHDİT TAKOZU	STOPPER, RUBBER	2					
26-9	H341182900	KİLİT, KAPI	LOCK, DOOR	1					DJ52
26-9	H341182901	KİLİT, KAPI	LOCK, DOOR	1					DJ53
26-9	H341182902	KİLİT, KAPI	LOCK, DOOR	1					DJ54
26-9	H341182903	KİLİT, KAPI	LOCK, DOOR	1					DJ55
26-9	H341182904	KİLİT, KAPI	LOCK, DOOR	1					DJ56
26-10	N010232462	CIVATA	BOLT	6					M10x25
26-11	N015870290	CIVATA	BOLT	4					M6x12
26-12	N025880026	SOMUN	NUT	4					M5
26-13	N025900086	SOMUN	NUT	6					M10
26-14	N030020121	PUL	WASHER	6					M10.5
26-15	N030100011	PUL	WASHER	4					M5
26-16	N031310011	YAYLI RONDELA	SPRING WASHER	6					M10
29	H201144600	DESTEK KOLU K.M., KAPUT	SUPPORT ARM W.A., HOOD	1					
30	H201146600	SAC K.M.	PLATE W.A.	1					
33	H221109700	BRAKET	BRACKET	1					
40	H371151400	MAKARA	ROLLER	1					
41	N010232114	CIVATA	BOLT	5					M8x20
42	N010232138	CIVATA	BOLT	2					
44	N010232462	CIVATA	BOLT	6					M10x2
47	N030560001	PUL	WASHER	5					M8
48	N030560002	PUL	WASHER	6					M10
50	N030810002	PUL	WASHER	1					M16
51	N030810014	PUL	WASHER	2					
53	N061002530	GUPİLYA	COTTER PIN	2					

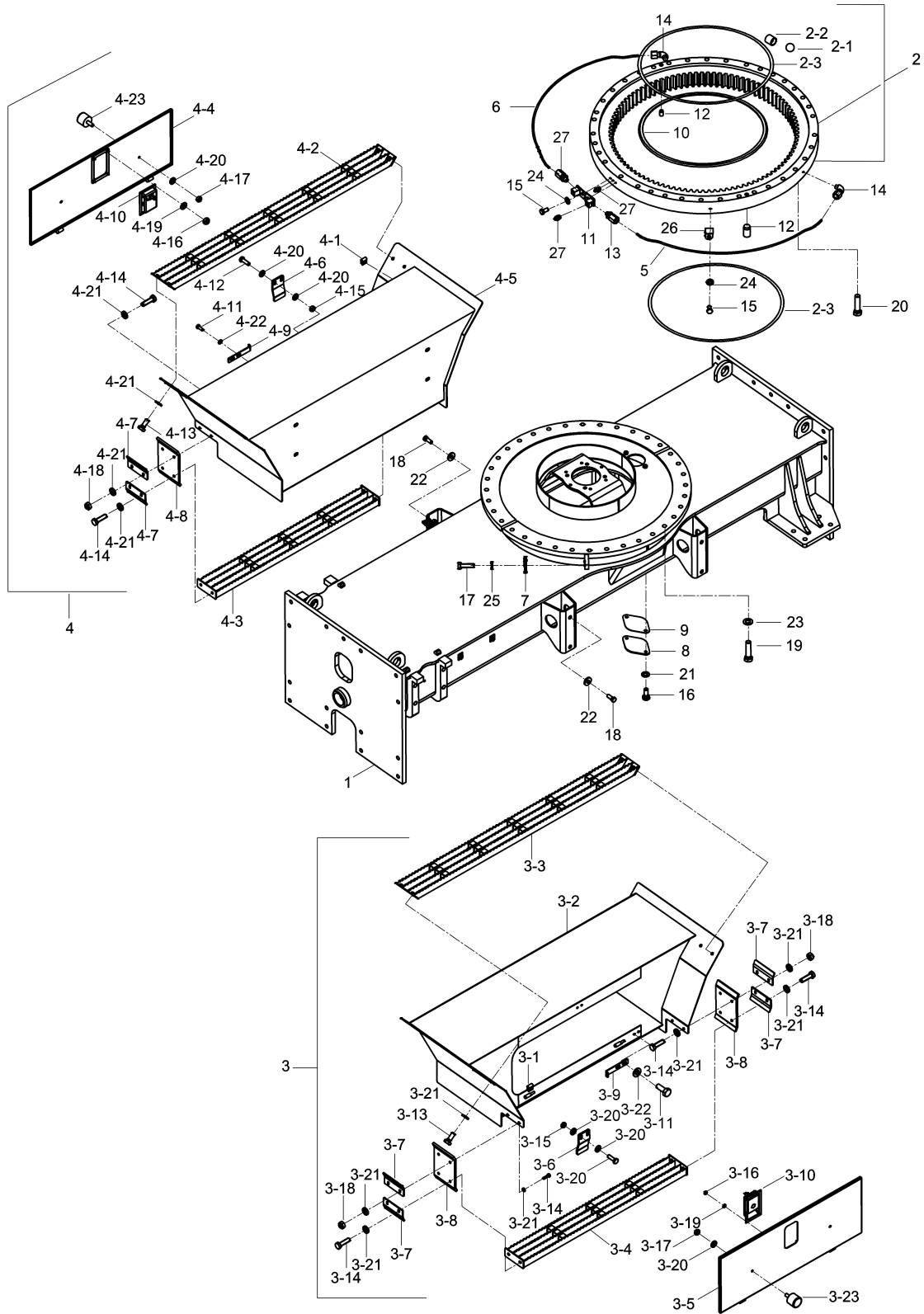
### DEPO KAPAK MONTAJI TANK COVER MOUNTING



**DEPO KAPAK MONTAJI  
TANK COVER MOUNTING**

No	Parça No	Parça Adı		Adet	S.K.	Bas.S.N	Bit.S.N	Y.K.	Not
No	Part no		Description	Qty	SC	S/N from	S/N to	ICA	Note
2	H201110002	KAPAK K.M., TANKLAR	COVER W.A., TANKS	1					
38	H341163700	LASTIK PUL	RUBBER WASHER	6					
39	H341163800	BAĞLANTI BURCU	BUSHING	6					
44	N010232462	CIVATA	BOLT	6					M10x25
52	N030810015	PUL	WASHER	6					M10

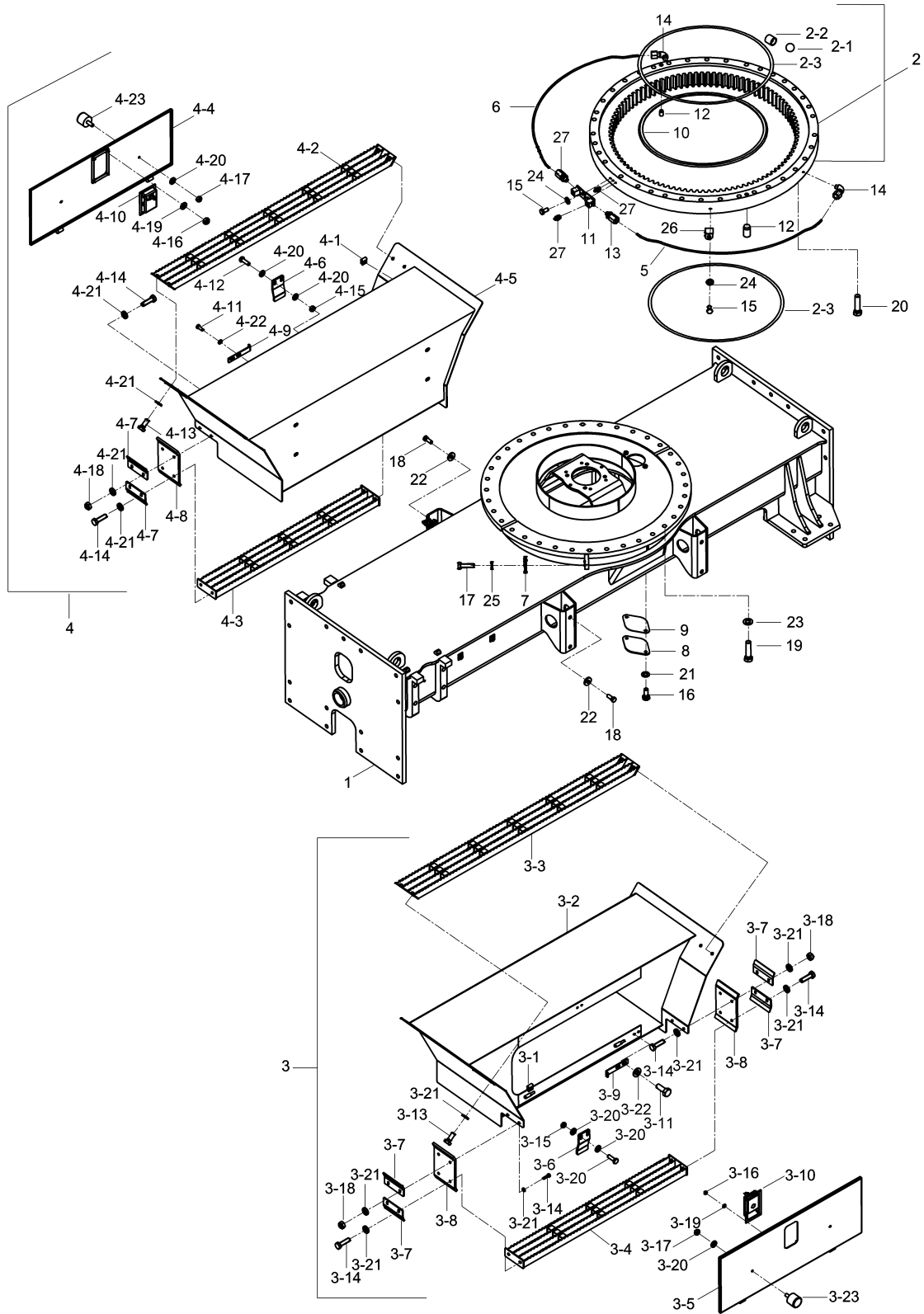
### ALT ŞASI MONTAJI LOWER FRAME MOUNTING



## ALT ŞASI MONTAJI LOWER FRAME MOUNTING

No	Parça No	Parça Adı		Adet	S.K.	Bas.S.N	Bit.S.N	Y.K.	Not
No	Part no	Description		Qty	SC	S/N from	S/N to	ICA	Note
1	H204000103	ALT ŞASI K.M.	LOWER FRAME W.A.	1					
2	H204100102	KULE DÖNDÜRME DIŞLI KOMPLESİ	SWING RING ASS'Y	1					
2-1	H209031005	BİLYE	BALL	110					
2-2	H209031006	DESTEK	SUPPROT	110					
2-3	H209031007A	KEÇE	SEAL	2					
3	H204100302	TAKIM SANDIĞI KOMPLESİ, SOL	TOOL BOX ASS'Y, LH	1					
3-1	98Z020010	FİTİL	WEATHER STRIP	1					
3-2	H204100402	TAKIM SANDIĞI K.M., SOL	TOOL BOX W.A., LH	1					
3-3	H204102000	BASAMAK K.M., ÜST	STEP W.A., UPPER	1					
3-4	H204102400	BASAMAK K.M., ALT	STEP W.A., LOWER	1					
3-5	H204102600	KAPAK K.M.	COVER W.A.	1					
3-6	H204103201	KİLİT KARŞILIĞI	LOCK PLATE	1					
3-7	H224103500	DESTEK SACI	SUPPORT PLATE	4					
3-8	H224103600	DESTEK SACI	SUPPORT PLATE	2					
3-9	H234105400	TAHDİT SACI	PLATE, STOP	1					
3-10	H341182900	KİLİT, KAPI	LOCK, DOOR	1					
3-11	N010221478	CIVATA	BOLT	2					M6x15
3-13	N010232462	CIVATA	BOLT	4					M10x25
3-14	N010232498	CIVATA	BOLT	8					M10x35
3-15	N023570182	SOMUN	NUT	2					M8
3-16	N025880026	SOMUN	NUT	4					M5
3-17	N025900062	SOMUN	NUT	2					M8
3-18	N025910086	SOMUN	NUT	4					M10x35
3-19	N030100011	PUL	WASHER	4					M5
3-20	N030810014	PUL	WASHER	6					M8
3-21	N030810015	PUL	WASHER	16					M10x35
3-22	N031310008	YAYLI RONDELA	SPRING WASHER	2					M6
3-23	N200083025	TAHDİT TAKOZU	STOPPER	2					
4	H204103002	TAKIM SANDIĞI KOMPLESİ, SAĞ	TOOL BOX ASS'Y, RH	1					
4-1	98Z020010	FİTİL	WEATHER STRIP	1					
4-2	H204102000	BASAMAK K.M., ÜST	STEP W.A., UPPER	1					
4-3	H204102400	BASAMAK K.M., ALT	STEP W.A., LOWER	1					
4-4	H204102600	KAPAK K.M.	COVER W.A.	1					
4-5	H204103102	TAKIM SANDIĞI K.M., SAĞ	TOOL BOX W.A., RH	1					
4-6	H204103201	KİLİT KARŞILIĞI	LOCK PLATE	1					
4-7	H224103500	DESTEK SACI	SUPPORT PLATE	4					
4-8	H224103600	DESTEK SACI	SUPPORT PLATE	2					
4-9	H234105400	TAHDİT SACI	PLATE, STOP	1					
4-10	H341182900	KİLİT, KAPI	LOCK, DOOR	1					
4-11	N010221478	CIVATA	BOLT	2					M6x15
4-12	N010232138	CIVATA	BOLT	2					M8x25
4-13	N010232462	CIVATA	BOLT	4					M10x25
4-14	N010232498	CIVATA	BOLT	8					M10x35
4-15	N023570182	SOMUN	NUT	2					M8
4-16	N025880026	SOMUN	NUT	4					M5
4-17	N025900062	SOMUN	NUT	2					M8
4-18	N025910086	SOMUN	NUT	4					M10

### ALT ŞASI MONTAJI LOWER FRAME MOUNTING

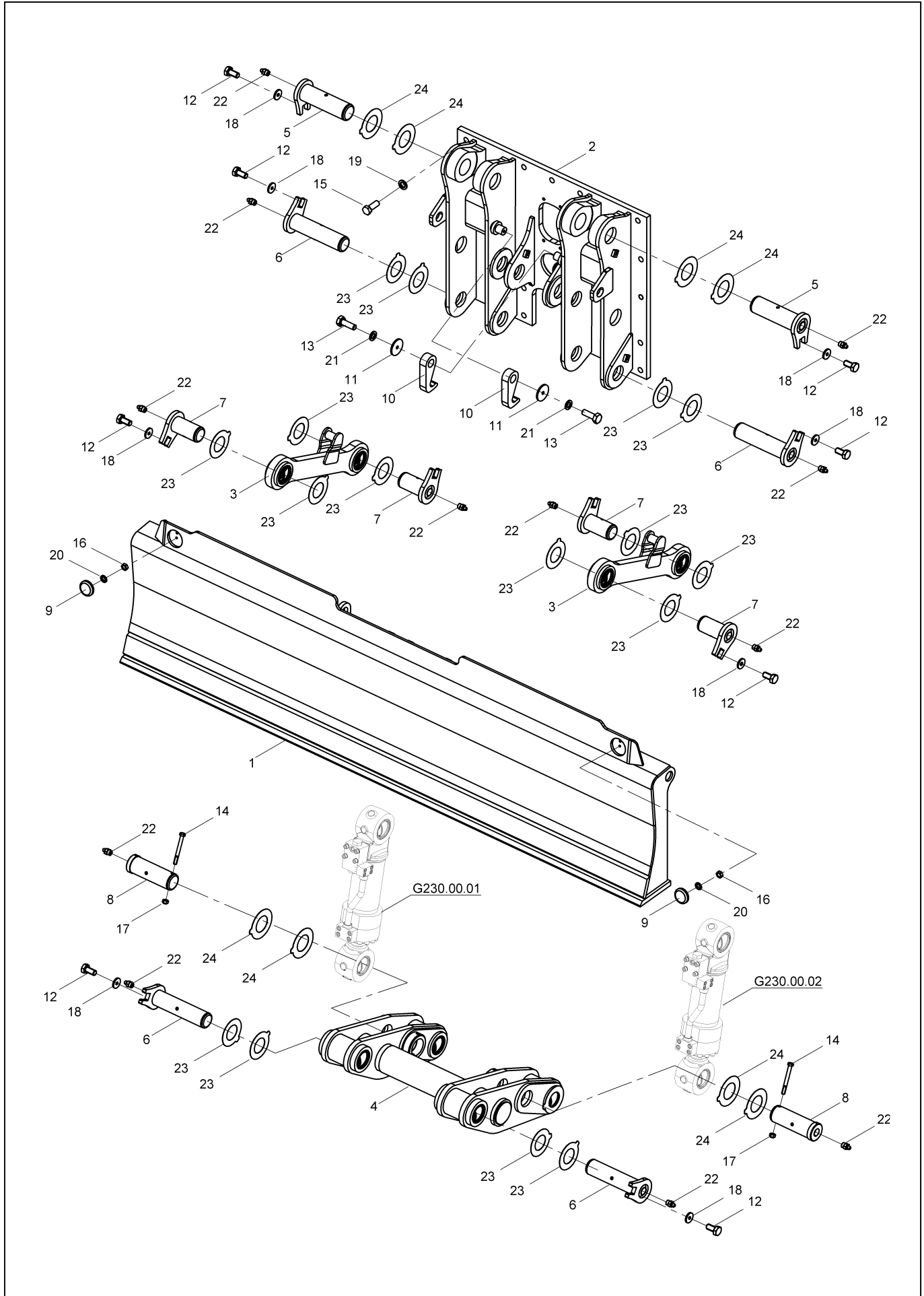


**ALT ŞAŞİ MONTAJI**  
**LOWER FRAME MOUNTING**

No	Parça No	Parça Adı		Adet	S.K.	Bas.S.N	Bit.S.N	Y.K.	Not
No	Part no	Description		Qty	SC	S/N from	S/N to	ICA	Note
4-19	N030100011	PUL	WASHER	4					M5
4-20	N030810014	PUL	WASHER	6					M8
4-21	N030810015	PUL	WASHER	16					M10
4-22	N031310008	YAYLI RONDELA	SPRING WASHER	2					M6
4-23	N200083025	TAHDİT TAKOZU	STOPPER	2					
5	H204103401	BORU, GRES	PIPE, GREASE	1					
6	H204103501	BORU, GRES	PIPE, GREASE	1					
7	H204103800	DESTEK SACI	SUPPORT PLATE	1					
8	H341201500	KAPAK SACI	COVER	1					
9	H341201600	KAPAK SACI	COVER	1					
10	H344104900	GRES FİTİLİ	SEAL GREASE	1					
11	H344106800	BLOK K.M., YAĞLAMA	BLOCK W.A., GREASING	2					
12	H344107300	PİM	PIN	2					
13	H345800700	NİPEL	ADAPTER	2					
14	H345801100	DİRSEK	ELBOW	2					
15	N010232078	CIVATA	BOLT	4					M8x15
16	N010232462	CIVATA	BOLT	2					M10x25
17	N010232498	CIVATA	BOLT	2					M10x35
18	N010233578	CIVATA	BOLT	8					M16x40
19	N010391766	CIVATA	BOLT	36					M20x65
20	N010391872	CIVATA	BOLT	38					M20x105
21	N030100020	PUL	WASHER	2					M10
22	N030560006	PUL	WASHER	8					M16
23	N030800003	PUL	WASHER	36					M20
24	N030810014	PUL	WASHER	4					M8
25	N030810015	PUL	WASHER	2					M10
26	N077010908	KELEPÇE	CLAMP	2					
27	N081110000	GRESÖRLÜK	GREASE NIPPLE	3					



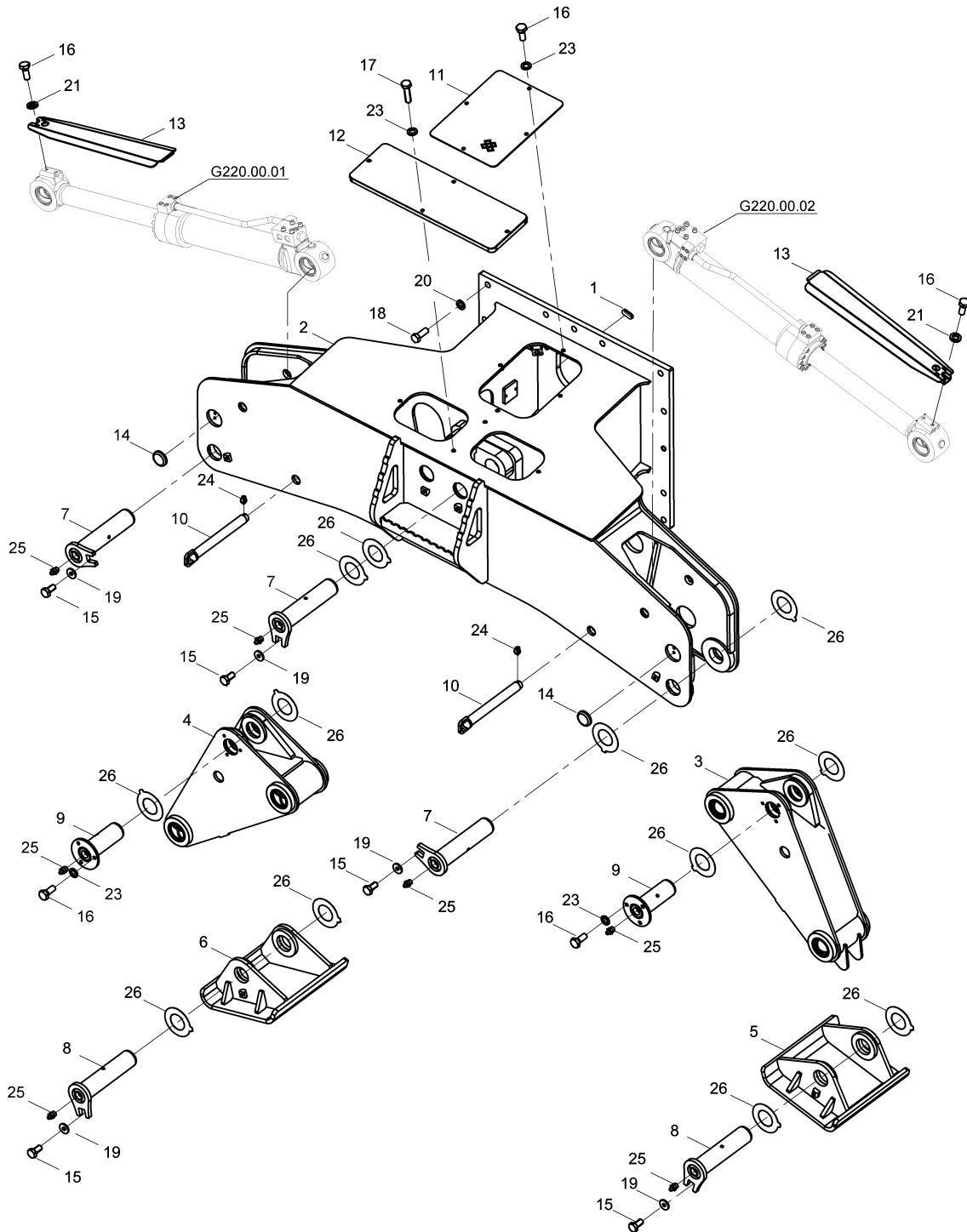
# DOZER BIÇAĞI MONTAJI DOZER BLADE MOUNTING



**DOZER BIÇAĞI MONTAJI**  
**DOZER BLADE MOUNTING**

No	Parça No	Parça Adı		Adet	S.K.	Bas.S.N	Bit.S.N	Y.K.	Not
No	Part no	Description		Qty	SC	S/N from	S/N to	ICA	Note
1	H204300101	DOZER BIÇAĞI K.M.	DOZER BLADE W.A.	1					
2	H204304001	DOZER BIÇAK BAĞLANTISI K.M.	DOZER BLADE LINK W.A.	1					
3	H204306501	DOZER BAĞLANTI KOMPLESİ, ÜST	DOZER LINK ASS'Y, UPPER	2					
4	H204307501	DOZER BAĞLANTI KOMPLESİ, ALT	DOZER LINK ASS'Y, LOWER	1					
5	H204309001	PİM K.M.	PIN W.A.	2					
6	H204309301	PİM K.M.	PIN W.A.	4					
7	H204309800	PİM K.M.	PIN W.A.	4					
8	H204310000	PİM	PIN	2					
9	H234106201	REFLEKTÖR	REFLECTOR	2					
10	H234303202	KANCA	HOOK	2					
11	H234303300	PUL	WASHER	2					
12	N010232438	CIVATA	BOLT	10					M10x20
13	N010232486	CIVATA	BOLT	2					M10x30
14	N010381008	CIVATA	BOLT	2					M12x115
15	N010391752	CIVATA	BOLT	15					M20x55
16	N023570158	SOMUN	NUT	2					M6
17	N025900122	SOMUN	NUT	2					M12
18	N030780002	PUL	WASHER	10					M10
19	N030800003	PUL	WASHER	15					M20
20	N031310008	YAYLI RONDELA	SPRING WASHER	2					M6
21	N031310011	YAYLI RONDELA	SPRING WASHER	2					M10
22	N081110000	GRESÖRLÜK	GREASE NIPPLE	12					
23	N082061111	POLİMER ŞİM	POLIMER SHIM	16					
24	N082066121	POLİMER ŞİM	POLIMER SHIM	8					

### AYAK MONTAJI OUTRIGGER MOUNTING



**AYAK MONTAJI**  
**OUTRIGGER MOUNTING**

No	Parça No	Parça Adı		Adet	S.K.	Bas.S.N	Bit.S.N	Y.K.	Not
No	Part no	Description		Qty	SC	S/N from	S/N to	ICA	Note
1	98Y040140	GROMET	GROMMET	1					
2	H204400102	AYAK ŞASISI K.M.	LEG FRAME W.A.	1					
3	H204402500	AYAK MAFSALI KOMPLESİ, SAG	LEG ASS'Y, RH	1					
4	H204403400	AYAK MAFSALI KOMPLESİ, SOL	LEG ASS'Y, LH	1					
5	H204404100	AYAK PABUCU K.M., SOL	FOOT W.A., LH	1					
6	H204405000	AYAK PABUCU K.M., SAĞ	FOOT W.A., RH	1					
7	H204405101	PİM K.M.	PIN W.A.	4					
8	H204405301	PİM K.M.	PIN W.A.	2					
9	H204405501	PİM K.M.	PIN W.A.	2					
10	H204405800	PİM	PIN	2					
11	H204406100	KAPAK SACI	COVER	1					
12	H204406200	KAPAK K.M.	COVER W.A.	1					
13	H204406602	KORUMA SACI K.M.	COVER W.A., PROTECTION	2					
14	H234106201	REFLEKTÖR	REFLECTOR	2					
15	N010232438	CIVATA	BOLT	6					M10x20
16	N010232462	CIVATA	BOLT	14					M10x25
17	N010232510	CIVATA	BOLT	4					M10x40
18	N010391752	CIVATA	BOLT	15					M20x55
19	N030780002	PUL	WASHER	6					M10
20	N030800003	PUL	WASHER	15					M20
21	N030810015	PUL	WASHER	4					M10
23	N031310011	YAYLI RONDELA	SPRING WASHER	14					M10
24	N063006042	HALKALI PİM	PIN, LINCH	2					
25	N081110000	GRESÖRLÜK	GREASE NIPPLE	8					
26	N082066121	POLİMER ŞİM	POLIMER SHIM	16					

## C - KABİN

### C - OPERATOR CAB

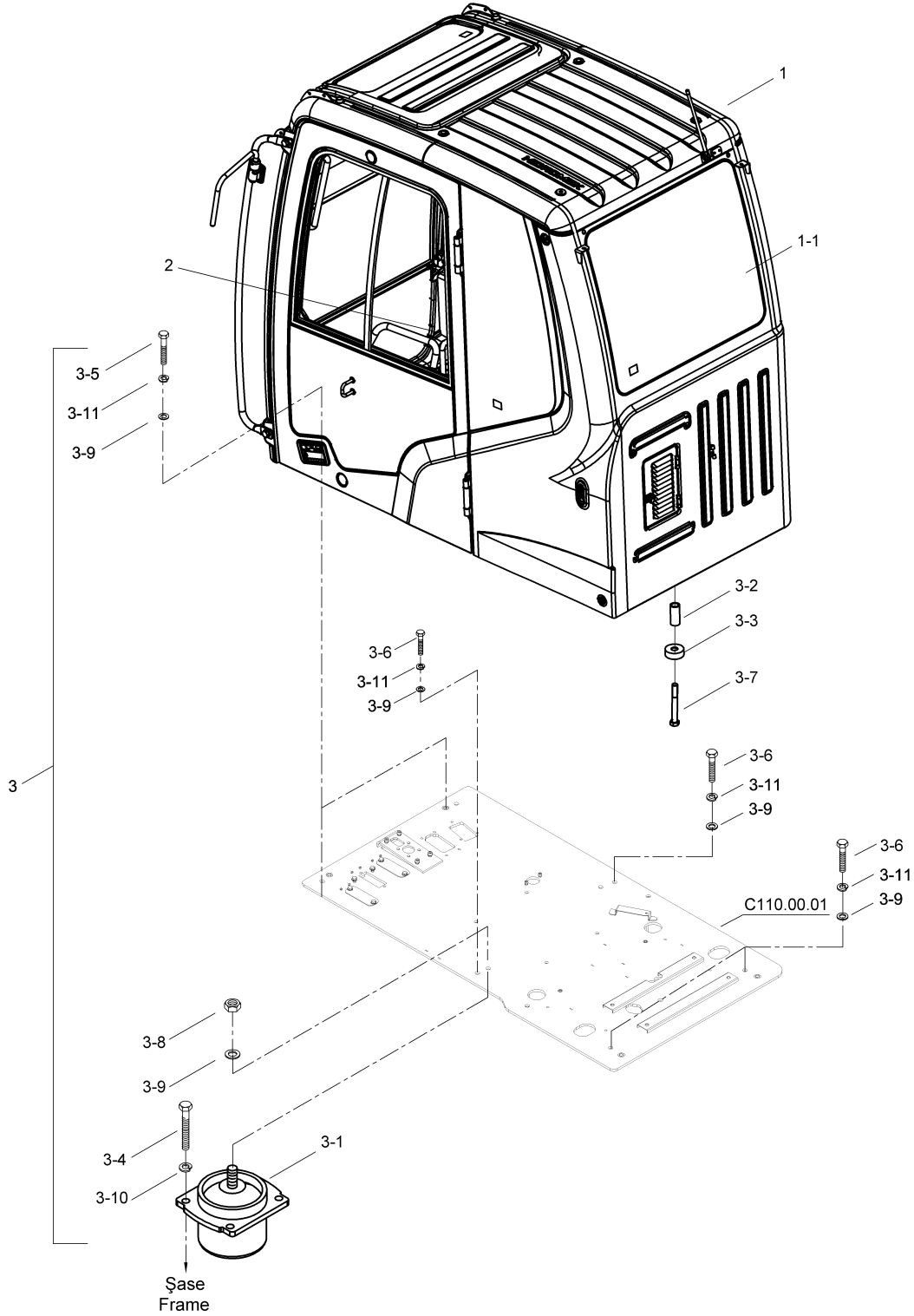
Sayfa No / Page No	Sayfa Adı	Page Name	Revizyon / Revision
C010.00.01	KABİN VE BAĞLANTI TAKOZLARI	CAB AND CAB MOUNTING	
C010.00.01	KABİN VE BAĞLANTI TAKOZLARI	CAB AND CAB MOUNTING	R1
C010.00.01	KABİN VE BAĞLANTI TAKOZLARI	CAB AND CAB MOUNTING	R2
C020.00.01	KAPILAR	DOORS	
C020.00.01	KAPILAR	DOORS	R1
C030.00.01	CAMLAR	WINDOWS	
C030.00.01	CAMLAR	WINDOWS	R1
C040.00.01	KABİN DONANIMI	CAB ACCESSORIES	
C040.00.01	KABİN DONANIMI	CAB ACCESSORIES	R1
C050.00.01	KONSOL MONTAJI, ÖN	CONSOLE ASS'Y, FRONT	
C050.00.01	KONSOL MONTAJI, ÖN	CONSOLE ASS'Y, FRONT	R1
C060.00.01	KONSOL MONTAJI, ARKA	CONSOLE ASS'Y, REAR	
C060.00.01	KONSOL MONTAJI, ARKA	CONSOLE ASS'Y, REAR	R1
C070.00.01	KONSOL MONTAJI, SAĞ	CONSOLE ASS'Y, RH	
C080.00.01	KONSOL MONTAJI, SOL	CONSOLE ASS'Y, LH	
C090.00.01	OPERATÖR KOLTUK MONTAJI	OPERATOR SEAT MOUNTING	
C100.00.01	OPERATÖR KOLTUK KOMPLESİ	OPERATOR SEAT ASS'Y	
C110.00.01	PLATFORM MONTAJI	PLATFORM ASS'Y	
C120.00.01	KABİN ÜST KORUMA MONTAJI, FOPS II (OP)	ROOF GUARD MOUNTING, FOPS II (OP)	
C120.00.01	KABİN ÜST KORUMA MONTAJI, FOPS II (OP)	ROOF GUARD MOUNTING, FOPS II (OP)	R1
C130.00.01	KABİN KORUMA MONTAJI, FOGS (OP)	GUARD MOUNTING, FOGS (OP)	
C130.00.01	KABİN KORUMA MONTAJI, FOGS (OP)	GUARD MOUNTING, FOGS (OP)	R1
C130.01.01	ÖN CAM KORUYUCU MONTAJI ,TAŞ VE MICİR İÇİN (OP)	FRONT GUARD MOUNTING, FOR STONES & DEBRIS (OP)	
C130.01.01	ÖN CAM KORUYUCU MONTAJI ,TAŞ VE MICİR İÇİN (OP)	FRONT GUARD MOUNTING, FOR STONES & DEBRIS (OP)	R1
C130.02.01	ÖN CAM KORUYUCU MONTAJI, İKİ PARÇALI (OP)	FRONT GUARD MOUNTING, TWO PIECES (OP)	
C140.00.01	DİREKSİYON KOLONU	STEERING COLUMN	



**KABİN VE BAĞLANTI TAKOZLARI  
CAB AND CAB MOUNTING**

No	Parça No	Parça Adı	Adet	S.K.	Bas.S.N	Bit.S.N	Y.K.	Not
No	Part no	Description	Qty	SC	S/N from	S/N to	ICA	Note
0	H906000000	KABİN GRUBU	CAB GROUP	1				
1	H906007000	KABİN KOMPLESİ	CAB ASS'Y	1				
1-1	H906008000	KABİN K.M.	CAB W.A.	1				
2	H906100100	KABİN İÇİ KOMPLESİ	CAB INTERIOR ASS'Y	1				
3	H906197500	KABİN KOMPLESİ, ÜST ŞASI GRUBU	CAB ASS'Y, UPPER FRAME GROUP	1				
3-1	H346200201	KABİN TAKOZU	RUBBER MOUNT	6				
3-2	N010381190	CIVATA	BOLT	1				
3-3	N010381238	CIVATA	BOLT	3				
3-4	N030810002	PUL	WASHER	6				
3-5	N031310011	YAYLI RONDELA	SPRING WASHER	24				
3-6	N025900182	SOMUN	NUT	6				
3-7	N010391262	CIVATA	BOLT	1				
3-8	N031310014	YAYLI RONDELA	SPRING WASHER	6				
3-9	N030810002	PUL	WASHER	6				
3-10	N010232462	CIVATA	BOLT	24				

## KABİN VE BAĞLANTI TAKOZLARI CAB AND CAB MOUNTING

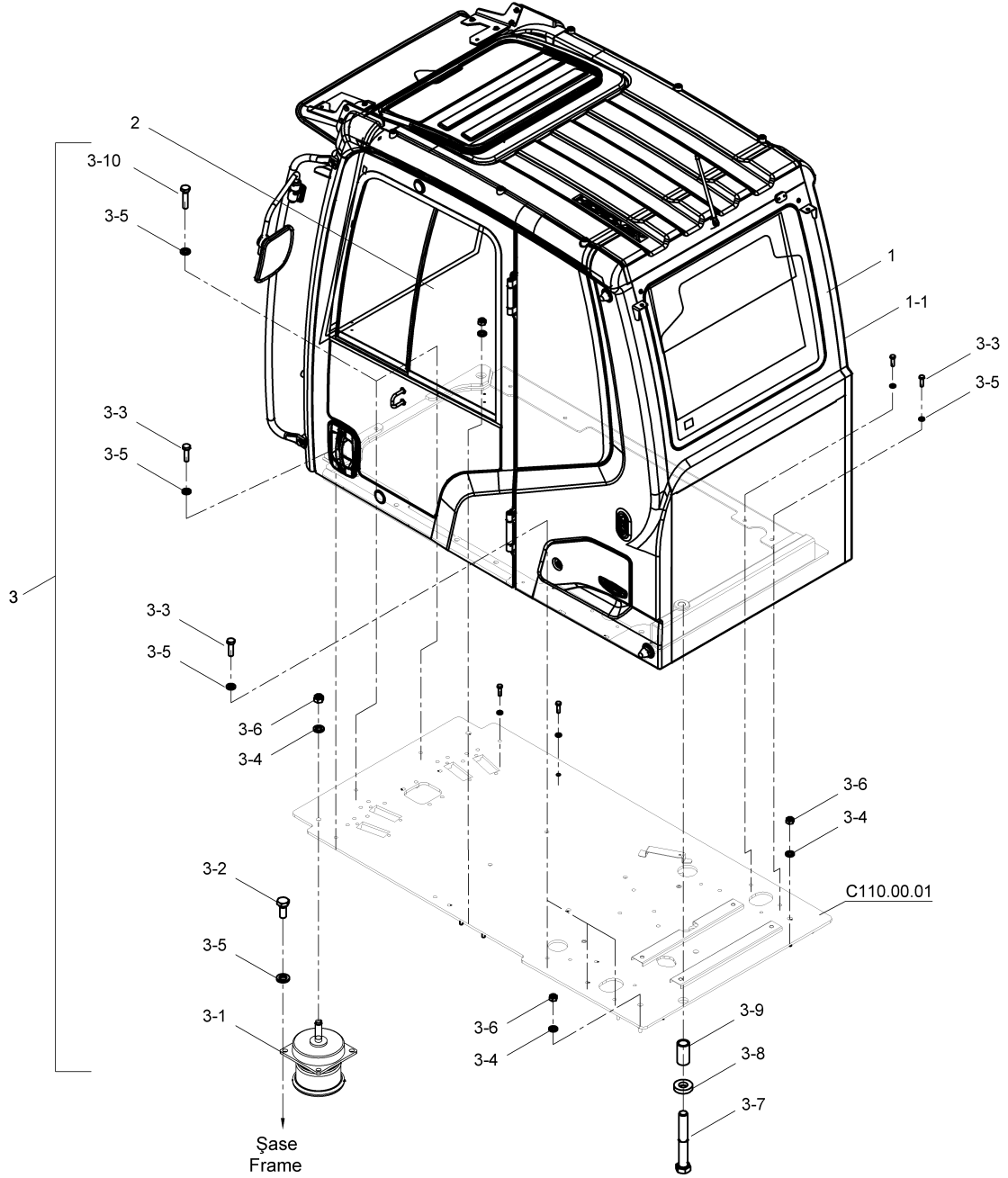




**KABİN VE BAĞLANTI TAKOZLARI**  
**CAB AND CAB MOUNTING**

No	Parça No	Parça Adı	Description	Adet	S.K.	Bas.S.N	Bit.S.N	Y.K.	Not
No	Part no			Qty	SC	S/N from	S/N to	ICA	Note
0	H906000100	KABİN GRUBU	CAB GROUP	1					
1	H906002000	KABİN KOMPLESİ	CAB ASS'Y	1					
1-1	H906003000	KABİN K.M.	CAB W.A.	1					
2	H906100100	KABİN İÇİ KOMPLESİ	CAB INTERIOR ASS'Y	1					
3	H906196000	KABİN KOMPLESİ, ÜST ŞASI GRUBU	CAB ASS'Y, UPPER FRAME GROUP	1					
3-1	H346200201	KABİN TAKOZU	RUBBER MOUNT	6					
3-2	H906196100	BORU	PIPE	1					
3-3	H906196200	PUL	WASHER	1					
3-4	N010232498	CIVATA	BOLT	24					M10x35
3-5	N010233530	CIVATA	BOLT	2					M16x25
3-6	N010381238	CIVATA	BOLT	4					M16x55
3-7	N010381934	CIVATA	BOLT	1					M20x160
3-8	N025900182	SOMUN	NUT	6					M16x2
3-9	N030100027	PUL	WASHER	12					M16
3-10	N031310011	YAYLI RONDELA	SPRING WASHER	24					M10x35
3-11	N031310014	YAYLI RONDELA	SPRING WASHER	6					M16

## KABİN VE BAĞLANTI TAKOZLARI CAB AND CAB MOUNTING



**KABİN VE BAĞLANTI TAKOZLARI**  
**CAB AND CAB MOUNTING**

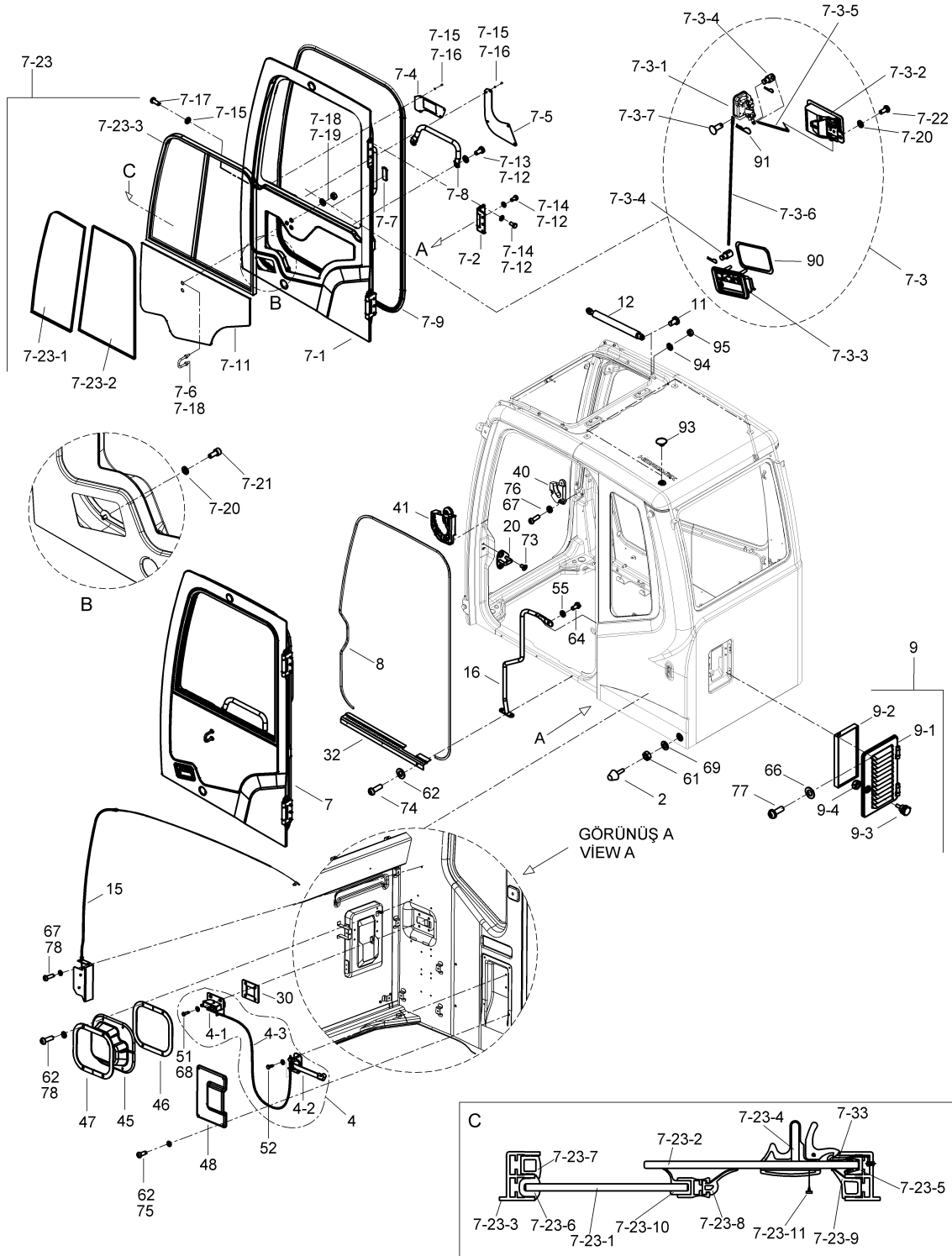
No	Parça No	Parça Adı	Description	Adet	S.K.	Bas.S.N	Bit.S.N	Y.K.	Not
No	Part no			Qty	SC	S/N from	S/N to	ICA	Note
0	H906200000	KABİN GRUBU	CAB GROUP	1					
1	H906200100	KABİN KOMPLESİ	CAB ASS'Y	1					
1-1	H906201000	KABİN K.M.	CAB W.A.	1					
2	H906150000	KABİN İÇİ KOMPLESİ	CAB INTERIOR ASS'Y	1					
3	H906195000	KABİN KOMPLESİ, ÜST ŞASI GRUBU	CAB ASS'Y, UPPER FRAME GROUP	1					
3-1	H906195100	KABİN TAKOZU	RUBBER MOUNT	6					
3-2	N010232462	CIVATA	BOLT	24					M10x25
3-3	N010232498	CIVATA	BOLT	8					M10x35
3-4	N030810002	PUL	WASHER	6					
3-5	N030810015	PUL	WASHER	34					
3-6	N025900182	SOMUN	NUT	6					
3-7	H906195200	CIVATA	BOLT	1					
3-8	H906195300	PUL	WASHER	1					
3-9	H906195400	BORU	PIPE	1					
3-10	N010232522	CIVATA	BOLT	2					M10x45



## KAPILAR DOORS

No	Parça No	Parça Adı	Adet	S.K.	Bas.S.N	Bit.S.N	Y.K.	Not
No	Part no	Description	Qty	SC	S/N from	S/N to	ICA	Note
2	H341102900	TAHDİT TAKOZU	2					
4	H346035700	KİLİT KOMPLESİ, GERİ	1					
4-1	H346036402	KİLİT, GERİ	1					
4-2	H346036002	AÇMA KOLU KOMPLESİ	1					
4-3	H346036301	TEL, GERİ KİLİT	1					
7	H906026000	KAPI KOMPLESİ	1					
7-1	H906026100	KAPI K.M.	1					
7-2	H906028500	MENTEŞE KOMPLESİ	2					
7-3	H906029000	KİLİT KOMPLESİ, KAPI	1					
7-3-1	H346047000	KİLİT, KAPI	1					
7-3-2	H346047200	ELCİK KOMPLESİ, İÇ	1					
7-3-3	H346046800	KAPI KOLU KOMPLESİ, DIŞ	1					
7-3-4	H906041700	PİM	11					
7-3-5	H906029100	ÇUBUK, ÜST	1					
7-3-6	H906029200	ÇUBUK, ALT	1					
7-3-7	H906041600	PİM	1					
7-4	H906029300	KAPAK SACI	1					
7-5	H906029400	KAPAK SACI	1					
7-6	H906029500	KİLİT KARŞILIĞI	1					
7-7	H906029800	GROMET	1					
7-8	H906029900	TUTAMAK	1					
7-9	H906030000	FİTİL	1					
7-11	H906030500	CAM, KAPI ALT	1					
7-12	N030090020	PUL	14					
7-13	N010232440	CIVATA	8					
7-14	N010232464	CIVATA	6					
7-15	N030100013	PUL	12					
7-16	N049560838	VİDA	9					
7-17	N049560844	VİDA	3					
7-18	N030090017	PUL	4					
7-19	N023570184	SOMUN	2					
7-20	N030100011	PUL	6					
7-21	N015870158	CIVATA	4					
7-22	N049561280	VİDA	2					
7-23	H906026800	KAYAR CAM KOMPLESİ	1					
7-23-1	H906030600	CAM, KAPI	1					
7-23-2	H906030700	CAM, KAYAR	1					
7-23-3	H906030800	ÇERÇEVE, KAYAR CAM	1					
7-23-4	H906030900	MANDAL	1					
7-23-5	H906028400	FİTİL	1					
7-23-6	H906028200	FİTİL	1					
7-23-7	H906028300	FİTİL	1					
7-23-8	H906030300	FİTİL	1					
7-23-9	H349089102	FİTİL	1					
7-23-10	H349089103	FİTİL	1					
7-23-11	H349089104	VİDA	2					
7-33	H349089105	KİLİT KARŞILIĞI	1					
8	H906030000	FİTİL	1					
9	H906031000	KAPAK KOMPLESİ	1					

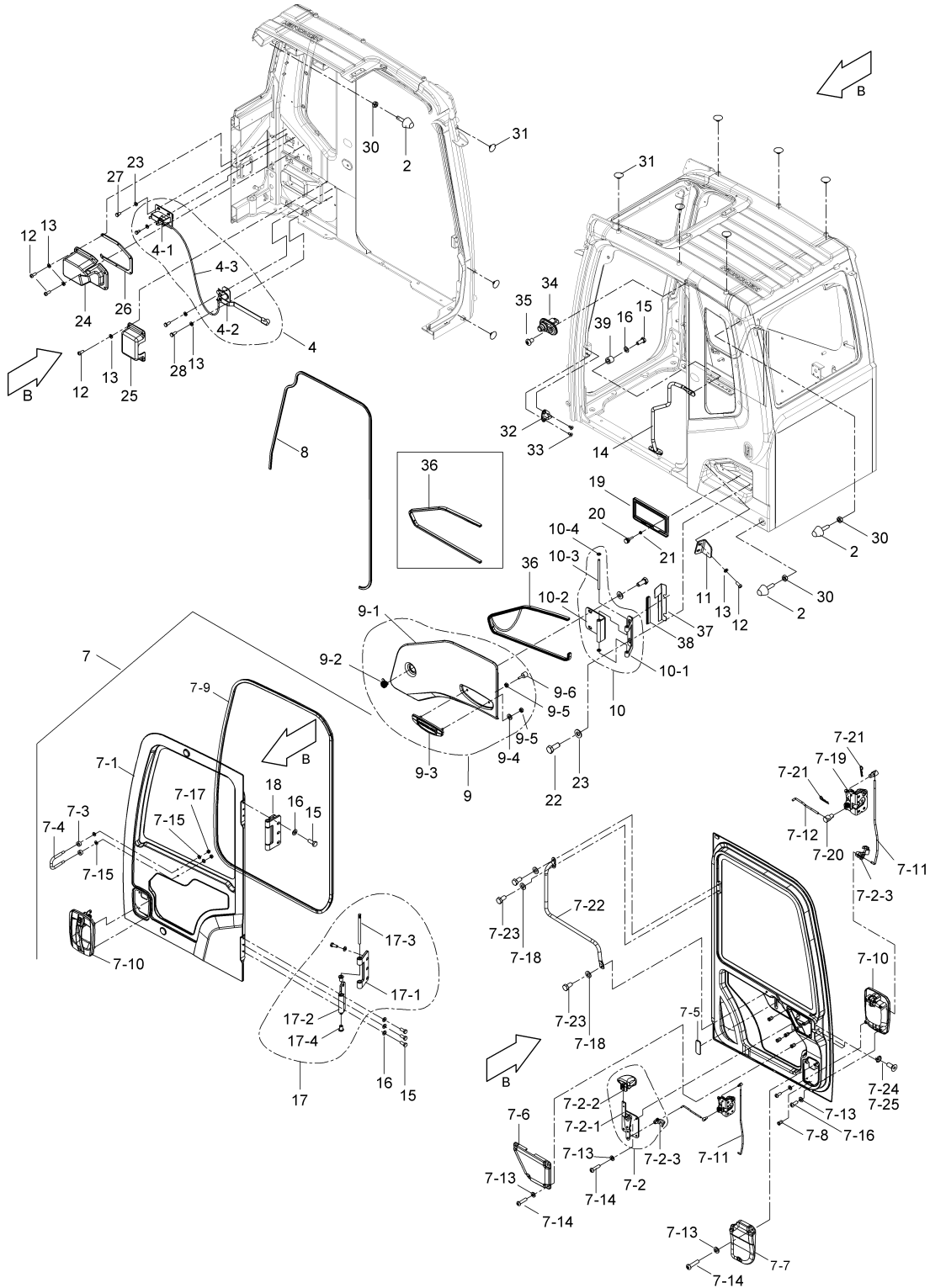
## KAPILAR DOORS



## KAPILAR DOORS

No	Parça No	Parça Adı	Adet	S.K.	Bas.S.N	Bit.S.N	Y.K.	Not
No	Part no	Description	Qty	SC	S/N from	S/N to	ICA	Note
9-1	H906031100	KAPAK K.M.	1					
9-2	H906032900	SÜNGER	1					
9-3	H906032000	VİDA	1					
9-4	N025900050	SOMUN	1					
11	H906250200	PİM	4					
12	H906035400	AMORTİSÖR	2					
15	H906045000	AÇILIR CAM HALAT MEKANİZMASI	1					
16	H906045500	TUTAMAK	1					
20	H906047200	KİLİT KARŞILIĞI	1					
30	H906048700	SAC	1					
32	H906049500	SAC	1					
40	H906052000	DURDURUCU, SOL	1					
41	H906052100	DURDURUCU, SAĞ	1					
45	H906054000	KAPLAMA	1					
46	H906054100	SAC	1					
47	H906054200	LASTİK	1					
48	H906054300	KAPLAMA	1					
51	N010222138	CIVATA	4					M8x25
52	N010231478	CIVATA	2					M6x15
55	N010232440	CIVATA	4					M10
61	N023570206	SOMUN	4					
62	N030090011	PUL	10					
64	N030090020	PUL	3					
66	N030100011	PUL	6					
67	N030100013	PUL	6					
68	N030100016	PUL	4					
69	N030100020	PUL	2					
73	N044320484	VİDA	2					
74	N049560640	VİDA	3					
75	N049560844	VİDA	4					
76	N049560846	VİDA	6					M5x20
77	N049561280	VİDA	4					
78	N049561284	VİDA	8					
90	N030100011	PUL	2					
91	H906032700	MAŞALI PİM	3					
93	H906023800	TAPA	10					
94	N030020006	PUL	4					
95	N025900050	SOMUN	4					

# KAPILAR DOORS

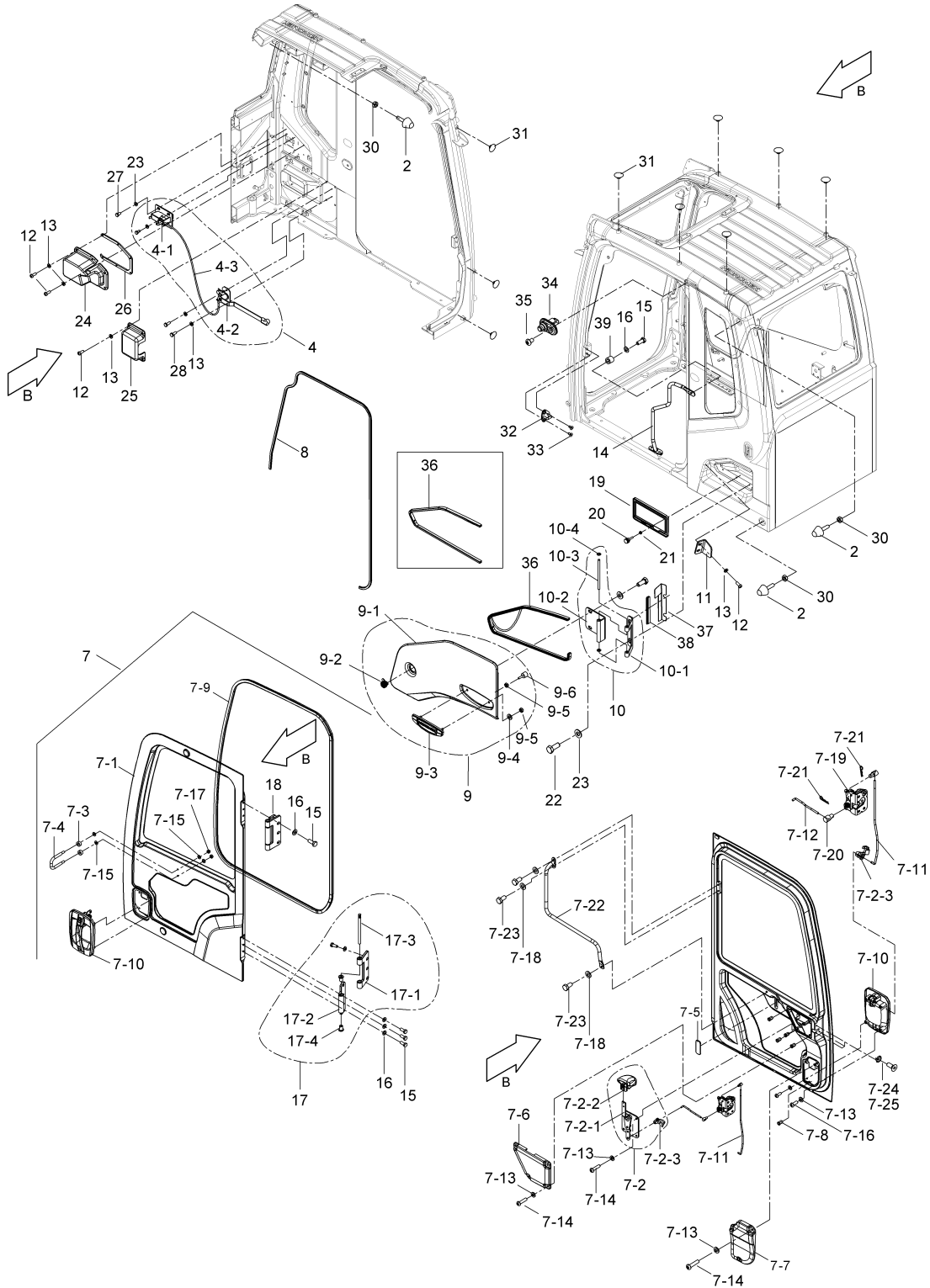




## KAPILAR DOORS

No	Parça No	Parça Adı	Adet	S.K.	Bas.S.N	Bit.S.N	Y.K.	Not
No	Part no	Description	Qty	SC	S/N from	S/N to	ICA	Note
2	H341102900	TAHDİT TAKOZU	4					
4	H906231400	KİLİT KOMPLESİ, GERİ	1					
4-1	H909066001	KİLİT, GERİ	1					
4-2	H909066002	AÇMA KOLU KOMPLESİ	1					
4-3	H909066003	TEL, GERİ KİLİT	1					
7	H906230000	KAPI KOMPLESİ	1					
7-1	H906230500	KAPI K.M.	1					
7-2	H906231100	KAPI KOLU KOMPLESİ, İÇ	1					
7-2-1	H909066004	MEKANİZMA	1					
7-2-2	H909066005	TUTAMAK	1					
7-2-3	H909066006	BAĞLANTI PARÇASI	1					
7-3	H906032500	KAUÇUK	2					
7-4	H906232800	KİLİT KARŞILIĞI	1					
7-5	H906029800	GROMET	1					
7-6	H906144300	KAPAK	1					
7-7	H906144400	KAPAK	1					
7-8	H906024200	SOMUN	7					
7-9	H906231600	FİTİL	1					
7-10	H906231000	KAPI KOLU KOMPLESİ, DIŞ	1					
7-11	H906232600	ÇUBUK, ALT	1					
7-12	H906232700	ÇUBUK, ÜST	1					
7-13	N030100013	PUL	15					
7-14	N049560856	VİDA	11					M6x25
7-15	N030090017	PUL	4					
7-16	N049560844	VİDA	4					M6x15
7-17	N025900062	SOMUN	2					M8
7-18	N030090020	PUL	3					
7-19	H346047000	KİLİT, KAPI	1					
7-20	H906029600	PİM	2					
7-21	H906032700	MAŞALI PİM	2					
7-22	H906232500	TUTAMAK	1					
7-23	N010232440	CIVATA	3					M10x20
7-24	N032060013	RONDELA	3					
7-25	N044320362	VİDA	3					M16x15
8	H906232400	FİTİL	1					
9	H906243000	KAPAK KOMPLESİ	1					
9-1	H906243400	KAPAK K.M.	1					
9-2	H906243500	KİLİT	1					
9-3	Y0620272	LOGO	1					
9-4	N030100013	PUL	2					
9-5	N025880026	SOMUN	4					
9-6	H906223600	STOPER	2					
10	H906214100	MENTEŞE KOMPLESİ	1					
10-1	H906214200	SAC, MENTEŞE	1					
10-2	H906214300	SAC, MENTEŞE	1					
10-3	H906215700	PİM	1					
10-4	H906215800	PUL	2					
11	H906244000	KİLİT KARŞILIĞI	1					
12	N049560844	VİDA	2					M6x15

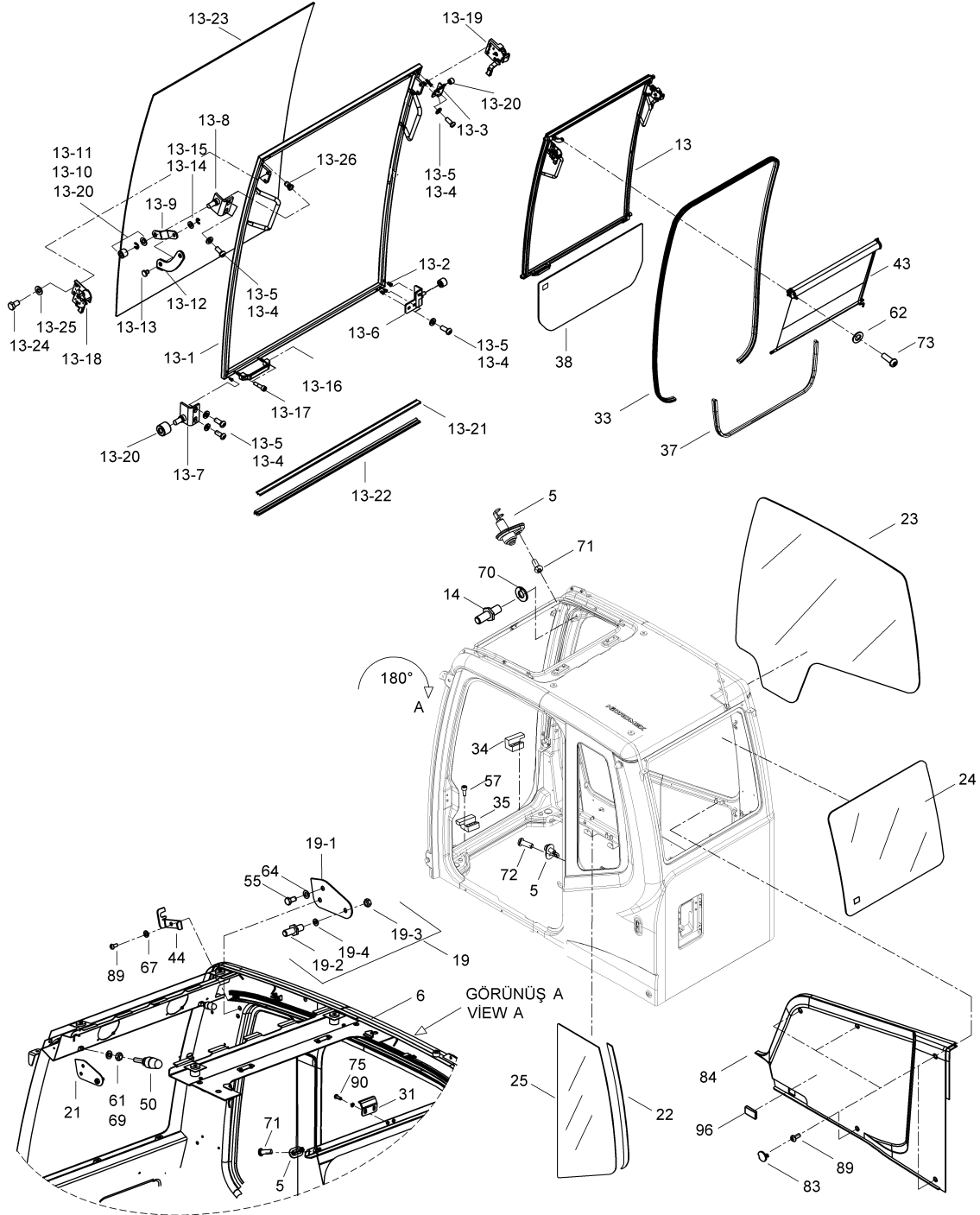
# KAPILAR DOORS



## KAPILAR DOORS

No	Parça No	Parça Adı		Adet	S.K.	Bas.S.N	Bit.S.N	Y.K.	Not
No	Part no	Description		Qty	SC	S/N from	S/N to	ICA	Note
13	N030100013	PUL	WASHER	2					
14	H906213500	TUTAMAK	HANDLE	1					
15	N010222462	CIVATA	BOLT	13					M10x25
16	N030090020	PUL	WASHER	13					
17	H906230100	MENTEŞE, KAPI, ALT	HINGE, DOOR, LOWER	1					
17-1	H906230200	SAC	PLATE	1					
17-2	H906230300	SAC	PLATE	1					
17-3	H906028800	PİM	PIN	1					
17-4	H906028900	BURÇ	BUSHING	2					
18	H906250300	MENTEŞE, KAPI, ÜST	HINGE, DOOR, UPPER	1					
19	H906244500	FİLTRE	FILTER	1					
20	81300035	CIVATA, ÖZEL	BOLT, SPECIAL	1					
21	N025880026	SOMUN	NUT	1					
22	N010222120	CIVATA	BOLT	4					M8x20
23	N030140017	PUL	WASHER	8					
24	H906144500	KAPAK, GERİ KİLİT	COVER, BACK LOCK	1					
25	H906144600	KAPAK, GERİ KİLİT	COVER, BACK LOCK	1					
26	H906218300	KAUÇUK	RUBBER	1					
27	N010222090	CIVATA	BOLT	4					M8x16
28	N010221497	CIVATA	BOLT	2					M6x15
30	N025900086	SOMUN	NUT	4					M10
31	H906023800	TAPA	PLUG	12					
32	H906047200	KİLİT KARŞILIĞI	STRIKER	1					
33	N044320484	VİDA	SCREW	2					M8x16
34	H348025900	ANAHTAR	SWITCH	1					
35	N049560640	VİDA	SCREW	1					M5x8
36	H906232900	FİTİL	WEATHER STRIP	1					
36	H906255500	FİTİL	WEATHER STRIP	1					
37	H906255600	SAC, MENTEŞE	PLATE, HINGE	1					
38	H906255400	FİTİL	WEATHER STRIP	1					
39	H906255000	BURÇ	BUSHING	1					

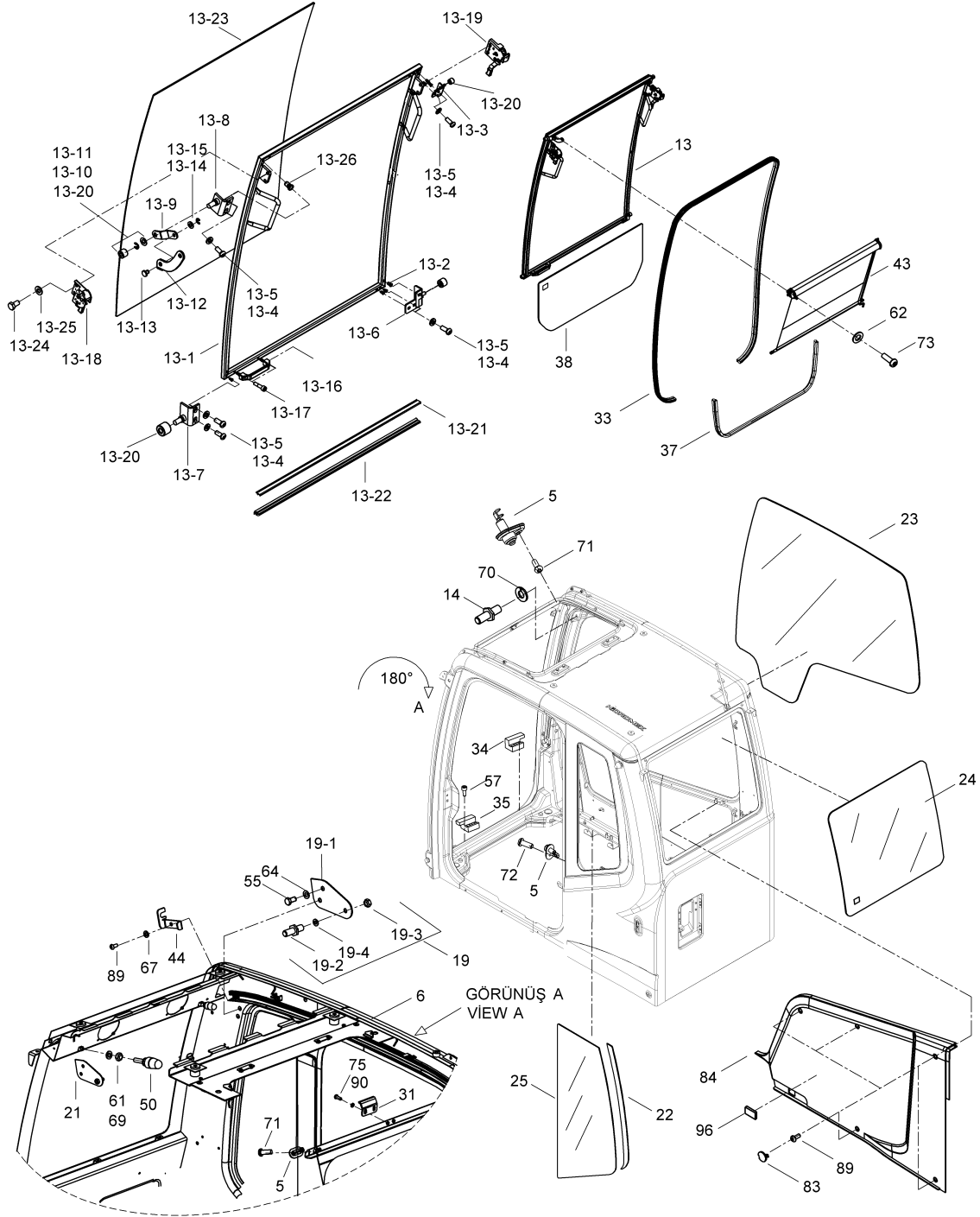
## CAMLAR WINDOWS



## CAMLAR WINDOWS

No	Parça No	Parça Adı	Adet	S.K.	Bas.S.N	Bit.S.N	Y.K.	Not
No	Part no	Description	Qty	SC	S/N from	S/N to	ICA	Note
5	H348025900	ANAHTAR	2					
6	H906008000	KABİN K.M.	1					
13	H906036500	AÇILIR CAM KOMPLESİ	1					
13-1	H906036600	ÇERÇEVE K.M., AÇILIR CAM	14					
13-2	N020000190	SOMUN	12					
13-3	H906037700	BRAKET K.M.	1					
13-4	N030100013	PUL	10					
13-5	N015870302	CIVATA	10					M6x15
13-6	H906037000	BRAKET K.M.	1					
13-7	H906037500	BRAKET K.M.	1					
13-8	H906037600	BRAKET K.M.	1					
13-9	H906037801	SAC	1					
13-10	N030100020	PUL	1					
13-11	N050760003	SEGMAN	1					
13-12	H906037301	SAC	1					
13-13	H906037400	PİM	1					
13-14	N030100016	PUL	1					
13-15	N050760002	SEGMAN	1					
13-16	H906037200	TUTAMAK	1					
13-17	N015870326	CIVATA	2					M5x16
13-18	H906038900	AÇILIR CAM KİLİDİ, SOL	1					
13-19	H906039000	AÇILIR CAM KİLİDİ, SAĞ	1					
13-20	H906036700	MAKARA	4					
13-21	H906036800	FİTİL PROFİLİ	1					
13-22	H906037100	FİTİL	1					
13-23	H906036900	CAM, ÖN	1					
13-24	N010232438	CIVATA	4					M10x20
13-25	N030020018	PUL	4					
13-26	N020000185	SOMUN	2					
14	H906042000	KİLİT KARŞILIĞI	2					
19	H906047000	KİLİT KARŞILIĞI KOMPLESİ	1					
19-1	H906047100	SAC	2					
19-2	H906042000	KİLİT KARŞILIĞI	2					
19-3	N023570206	SOMUN	2					
19-4	N030100020	PUL	2					
21	H906047300	KİLİT KARŞILIĞI KOMPLESİ	1					
22	H906047600	ŞERİT	1					
23	H906047800	CAM, SAĞ	1					
24	H906047900	CAM, ARKA	1					
25	H906048000	CAM, SOL ARKA	1					
31	H906049000	KİLİT KARŞILIĞI	1					
33	H906049600	FİTİL, ÖN CAM	1					
34	H906049700	SABİTLEYİCİ TAKOZ, SAĞ	1					
35	H906049800	SABİTLEYİCİ TAKOZ, SOL	1					
37	H906050200	FİTİL, AÇILIR CAM	1					
38	H906050500	CAM, ÖN ALT	1					
43	H906053100	PERDE	1					
44	H906053500	SAC	1					

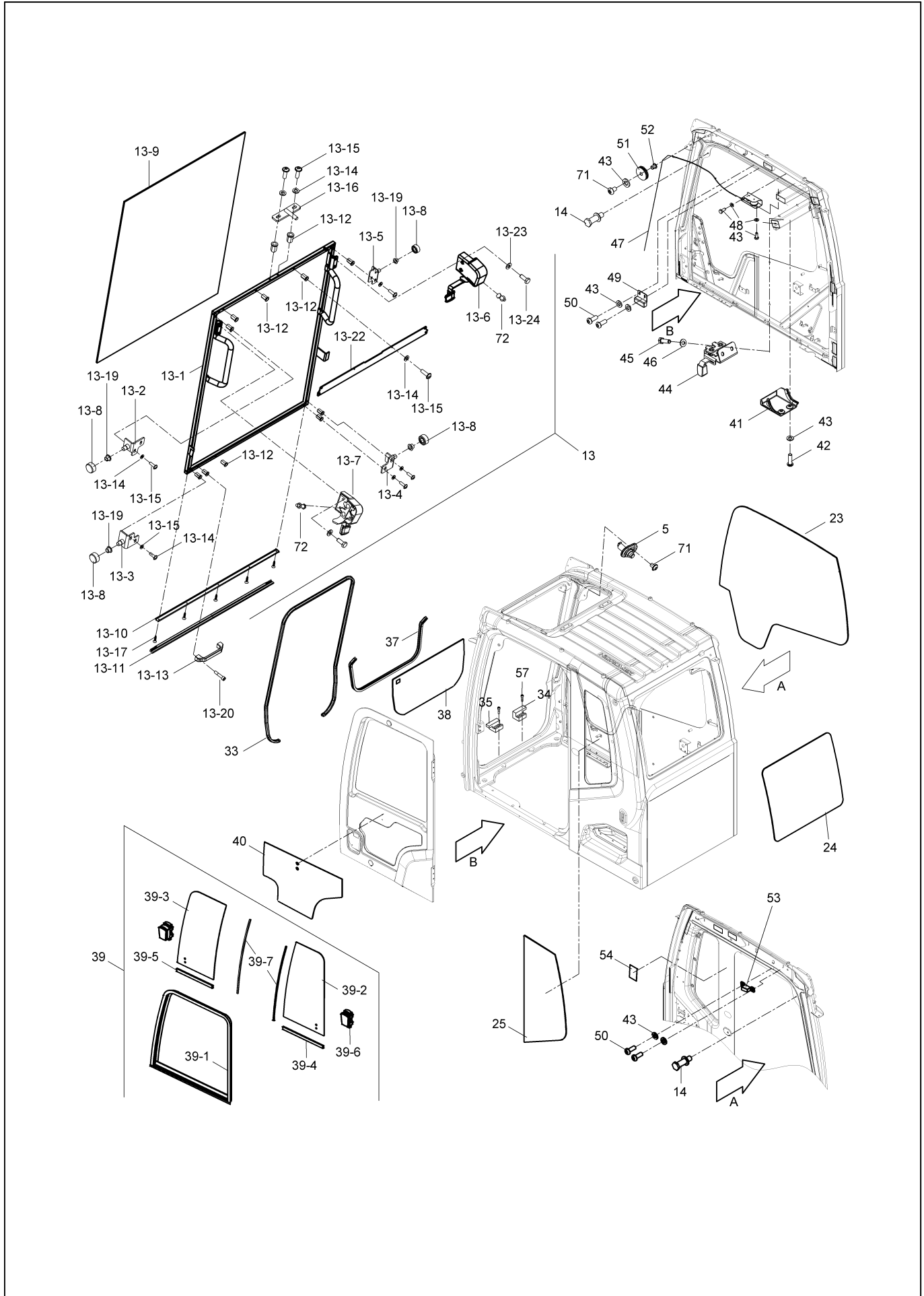
## CAMLAR WINDOWS



## CAMLAR WINDOWS

No	Parça No	Parça Adı		Adet	S.K.	Bas.S.N	Bit.S.N	Y.K.	Not
No	Part no	Description		Qty	SC	S/N from	S/N to	ICA	Note
50	H906055000	TAHDİT TAKOZU	STOPPER	1					
55	N010232440	CIVATA	BOLT	4					M10x20
57	N015870158	CIVATA	BOLT	4					M5x12
61	N023570206	SOMUN	NUT	4					M10
62	N030090011	PUL	WASHER	3					
64	N030090020	PUL	WASHER	2					
67	N030100013	PUL	WASHER	2					
69	N030100020	PUL	WASHER	2					M4x10
70	N031310011	YAYLI RONDELA	SPRING WASHER	2					M4x16
71	N044061084	VİDA	SCREW	1					
72	N044061108	VİDA	SCREW	1					
73	N049561284	VİDA	SCREW	4					
75	N049560844	VİDA	SCREW	2					
83	H906105700	KAPAK	COVER	5					
84	H906116400	KAPLAMA, SAĞ	COVER, RH	1					
89	N049561280	VİDA	SCREW	2					
90	H906026200	FİTİL	WEATHER STRIP	1					
96	H130321012	SÜNGER	SPONGE	3					

# CAMLAR WINDOWS

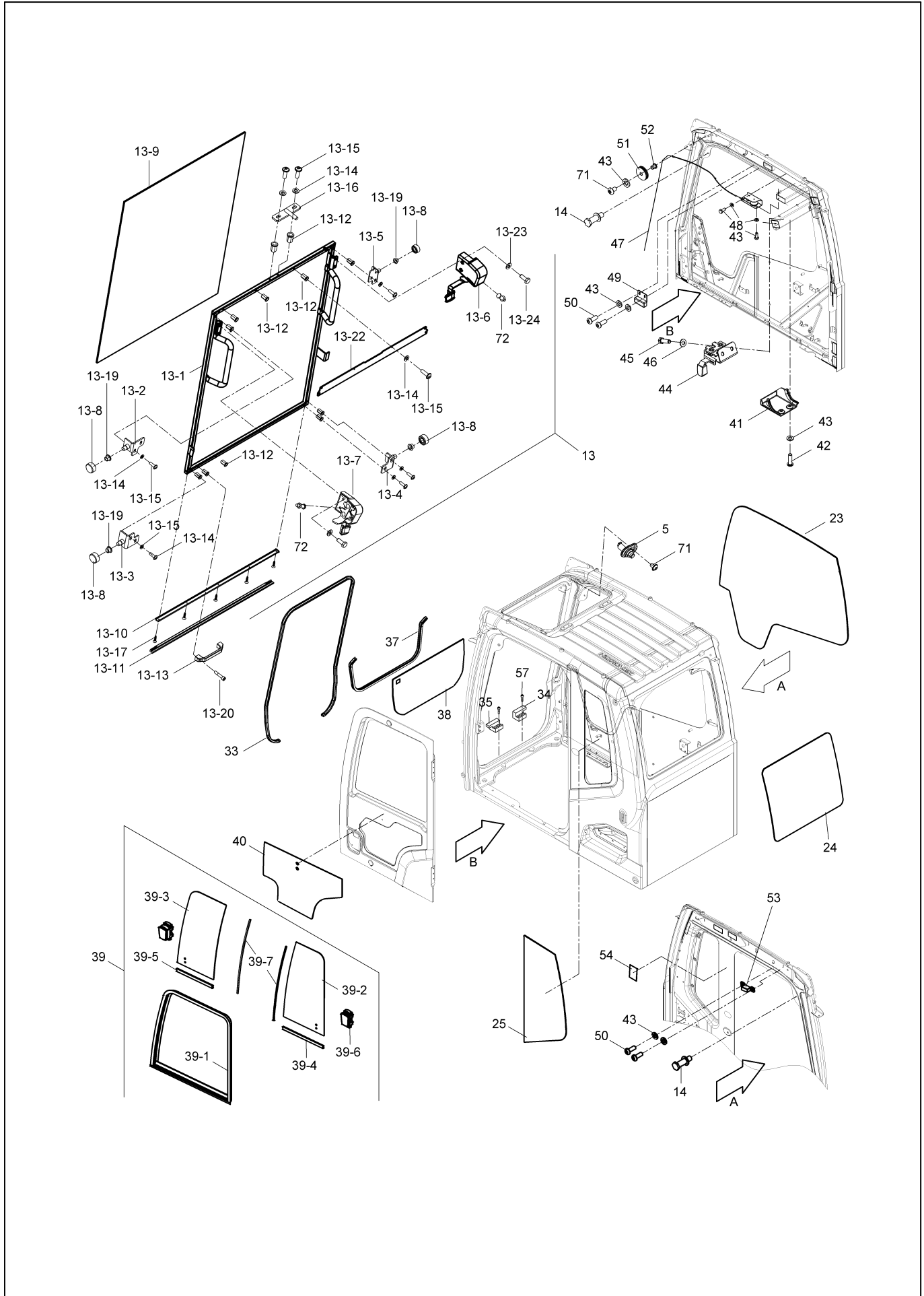




## CAMLAR WINDOWS

No	Parça No	Parça Adı		Adet	S.K.	Bas.S.N	Bit.S.N	Y.K.	Not
No	Part no	Description		Qty	SC	S/N from	S/N to	ICA	Note
5	H348025900	ANAHTAR	SWITCH	1					
13	H906240000	AÇILIR CAM KOMPLESİ	SLIDING GLASS ASS'Y	1					
13-1	H906240100	ÇERÇEVE K.M., AÇILIR CAM	FRAME W.A., SLIDING GLASS	1					
13-2	H906241400	BRAKET K.M.	BRACKET W.A.	1					
13-3	H906242900	BRAKET K.M.	BRACKET W.A.	1					
13-4	H906243800	BRAKET K.M.	BRACKET W.A.	1					
13-5	H906243900	BRAKET K.M.	BRACKET W.A.	1					
13-6	H906249000	AÇILIR CAM KİLİDİ, SAĞ	SLIDING GLASS LATCH, RH	1					
13-7	H906249500	AÇILIR CAM KİLİDİ, SOL	SLIDING GLASS LATCH, LH	1					
13-8	H906242100	TEKER	ROLLER	1					
13-9	H906247200	CAM, ÖN	GLASS, FRONT	1					
13-10	H906242000	PROFİL, FİTİL	PROFILE, WEATHER STRIP	1					
13-11	H906242700	FİTİL	WEATHER STRIP	1					
13-12	H906024200	SOMUN	NUT	16					
13-13	H906037200	TUTAMAK	HANDLE	1					
13-14	N030100013	PUL	WASHER	14					
13-15	N049560846	VİDA	SCREW	14					
13-16	H906248100	KİLİT KARŞILIĞI	STRIKER	1					
13-17	N049530362	VİDA	SCREW	4					
13-19	H906215000	BURÇ	BUSHING	4					
13-20	N015870350	CIVATA	BOLT	2					
13-22	H906250800	SAC K.M., PERDE BAĞLANTI	PLATE W.A., CURTAIN	1					
13-23	N030140017	PUL	WASHER	4					
13-24	N010232140	CIVATA	BOLT	4					
14	H906249101	KİLİT KARŞILIĞI	STRIKER	2					
23	H906247300	CAM, SAĞ	GLASS, RH	1					
24	H906247500	CAM, ARKA	GLASS, REAR	1					
25	H906247400	CAM, SOL ARKA	GLASS, LH-REAR	1					
33	H906248600	FİTİL, ÖN CAM	WEATHER STRIP, FRONT GLASS	1					
34	H906049700	SABİTLEYİCİ TAKOZ, SAĞ	RETAINER, GLASS, RH	1					
35	H906049800	SABİTLEYİCİ TAKOZ, SOL	RETAINER, GLASS, LH	1					
37	H906248700	FİTİL, ÖN ALT CAM	WEATHER STRIP, FRONT LOWER GLASS	1					
38	H906247100	CAM, ÖN ALT	GLASS, FRONT-LOWER	1					
39	H906235000	KAYAR CAM KOMPLESİ	SLIDING GLASS ASS'Y	1					
39-1	H909066007	ÇERÇEVE, KAYAR CAM	SLIDING GLASS FRAME	1					
39-2	H909066008	CAM, SAĞ	GLASS, RIGHT	1					
39-3	H909066009	CAM, SOL	GLASS, LEFT	1					
39-4	H909066010	KIZAK, SAĞ	SLIDING, RIGHT	1					
39-5	H909066011	KIZAK, SOL	SLIDING, LEFT	1					
39-6	H909066012	MANDAL	CATCH	2					
39-7	H909066013	PROFİL, DİREK	PROFILE, POLE	2					
40	H906247000	CAM, ALT, KAPI	GLASS, LOWER, DOOR	1					
41	H906240900	KAPAK	COVER	1					
42	N049561284	VİDA	SCREW	2					
43	N030100013	PUL	WASHER	9					
44	H906241000	GERİ KİLİT, AÇILIR CAM	BACK LOCK, SLIDING GLASS	1					
45	N010222138	CIVATA	BOLT	2					
46	N030140017	PUL	WASHER	2					

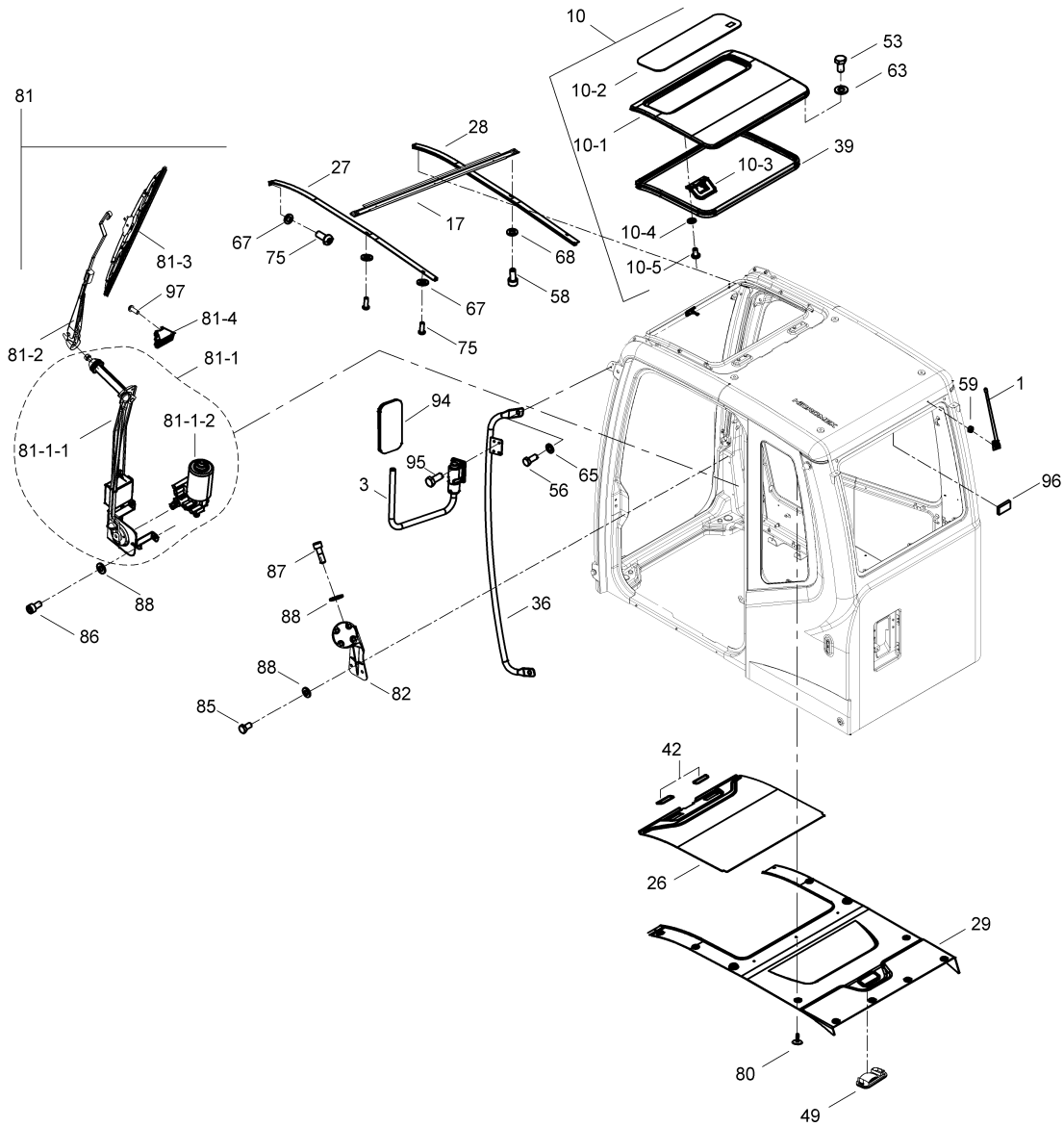
# CAMLAR WINDOWS



**CAMLAR  
WINDOWS**

No	Parça No	Parça Adı	Adet	S.K.	Bas.S.N	Bit.S.N	Y.K.	Not
No	Part no	Description	Qty	SC	S/N from	S/N to	ICA	Note
47	H906249200	AÇILIR CAM HALAT MEKANİZMASI	1					
48	N010231478	CIVATA	2					
49	H906218000	CAM TAKOZU, SAĞ	1					
50	N049560844	VİDA	4					
51	H906240700	MAKARA	1					
52	H906219000	BURÇ	1					
53	H906218200	CAM TAKOZU, SOL	1					
54	H906250700	ETİKET	1					
57	N015870182	CIVATA	4					
71	N049560640	VİDA	2					
72	H906249100	KİLİT KARŞILIĞI, AÇILIR CAM	2					

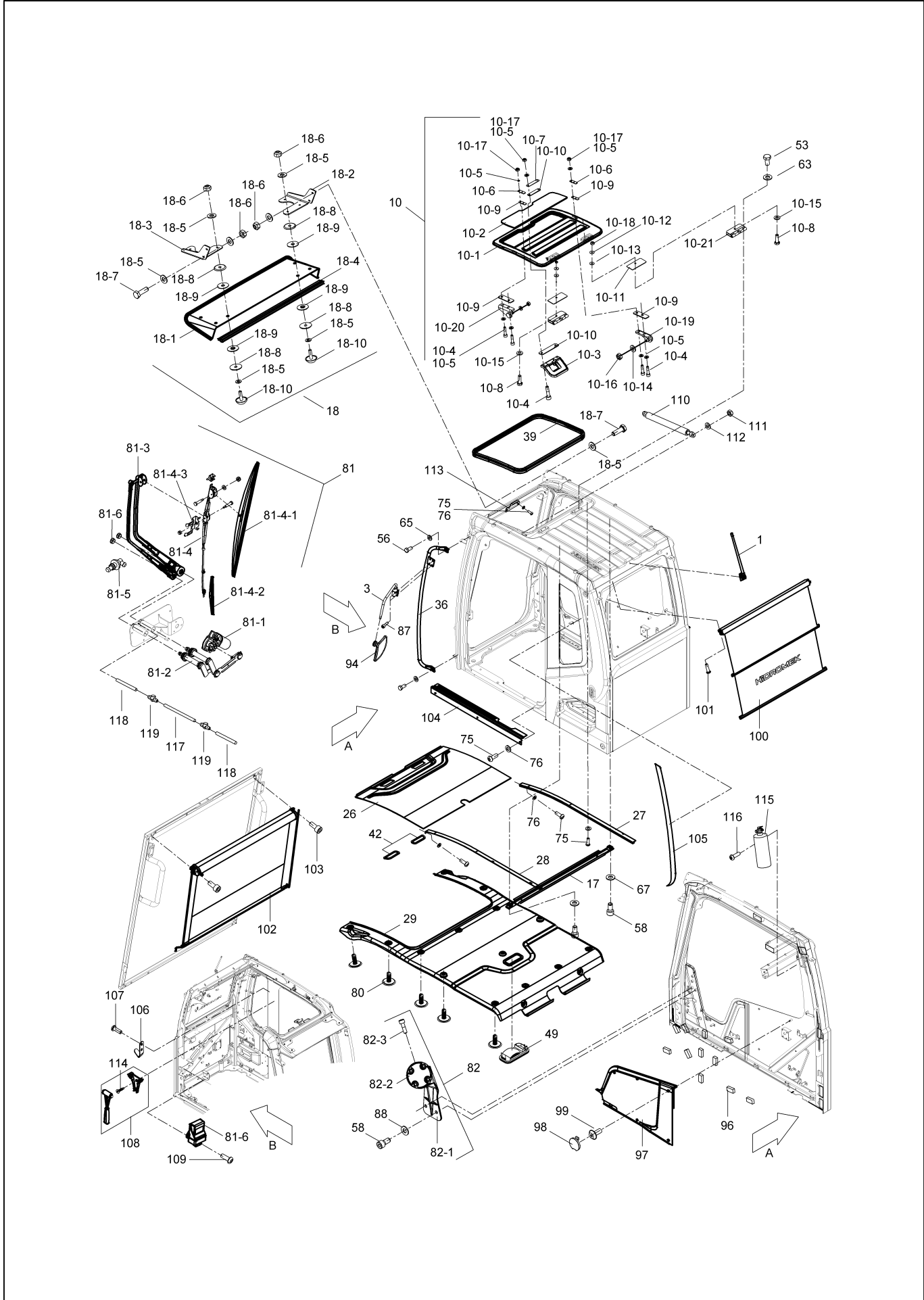
# KABİN DONANIMI CAB ACCESSORIES



## KABİN DONANIMI CAB ACCESSORIES

No	Parça No	Parça Adı		Adet	S.K.	Bas.S.N	Bit.S.N	Y.K.	Not
No	Part no	Description		Qty	SC	S/N from	S/N to	ICA	Note
1	F9925242	ANTEN	ANTENNA	1					
3	M116001100	AYNA KOLU K.M.	STAY W.A., MIRROR	1					
10	H906033500	SUNROOF KOMPLESİ	SUNROOF ASS'Y	1					
10-1	H906033600	SUNROOF K.M.	SUNROOF W.A.	1					
10-2	H906033800	CAM, SUNROOF	GLASS, SUNROOF	1					
10-3	H906033700	KİLİT, SUNROOF	LOCK, SUNROOF	1					
10-4	N030100011	PUL	WASHER	2					
10-5	N049560640	VİDA	SCREW	2					M5x12
17	H906046000	RAY	RAIL BAR	1					
26	H906048200	PERDE	CURTAIN	1					
27	H906048300	RAY	RAIL	1					
28	H906048400	RAY	RAIL	1					
29	H906048500	KAPLAMA, TAVAN	COVER, ROOF	1					
36	H906138100	BİNİŞ TUTAMAĞI, KABİN	HANDRAIL	1					
39	H906050700	FİTİL	WEATHER STRIP	1					
42	H906052500	GROMET	GROMMET	2					
49	H906054900	LAMBA, İÇ AYDINLATMA	LAMP, INTERIOR	1					
53	N010232078	CIVATA	BOLT	4					
56	N010233566	CIVATA	BOLT	2					
58	N015870434	CIVATA	BOLT	2					
59	N023570146	SOMUN	NUT	1					M5
63	N030090017	PUL	WASHER	4					
65	N030090027	PUL	WASHER	2					
67	N030100013	PUL	WASHER	6					
68	N030100016	PUL	WASHER	2					
75	N049560844	VİDA	SCREW	6					
80	N130165200	DÜBEL	FIXING PLUG	15					
81	H346065001	SİLECEK KOMPLESİ	WIPER ASS'Y	1					
81-1	H909090002	SİLECEK MOTOR VE BRAKET KOMPLESİ	WIPER MOTOR & BRACKET ASS'Y	1					
81-1-1	H909090023	BRAKET	BRACKET	1					
81-1-2	H909090024	SİLECEK MOTORU	WIPER MOTOR	1					
81-2	H909090003	SİLECEK KOLU	ARM, WIPER	1					
81-3	H909090004	SİLECEK SÜPÜRGESİ	BLADE, WIPER	1					
81-4	H909090005	DURDURUCU	STOPPER	1					
82	H906051000	BRAKET, LCD	BRACKET, LCD	1					
85	N010232078	CIVATA	BOLT	4					M8x15
86	N015870446	CIVATA	BOLT	7					M8x16
87	N015890458	CIVATA	BOLT	3					M8x20
88	N030100017	PUL	WASHER	7					
94	S9100965	AYNA	MIRROR	1					
95	N015870314	CIVATA	BOLT	2					
96	H130321012	SÜNGER	SPONGE	6					
97	N044061298	VİDA	SCREW	2					

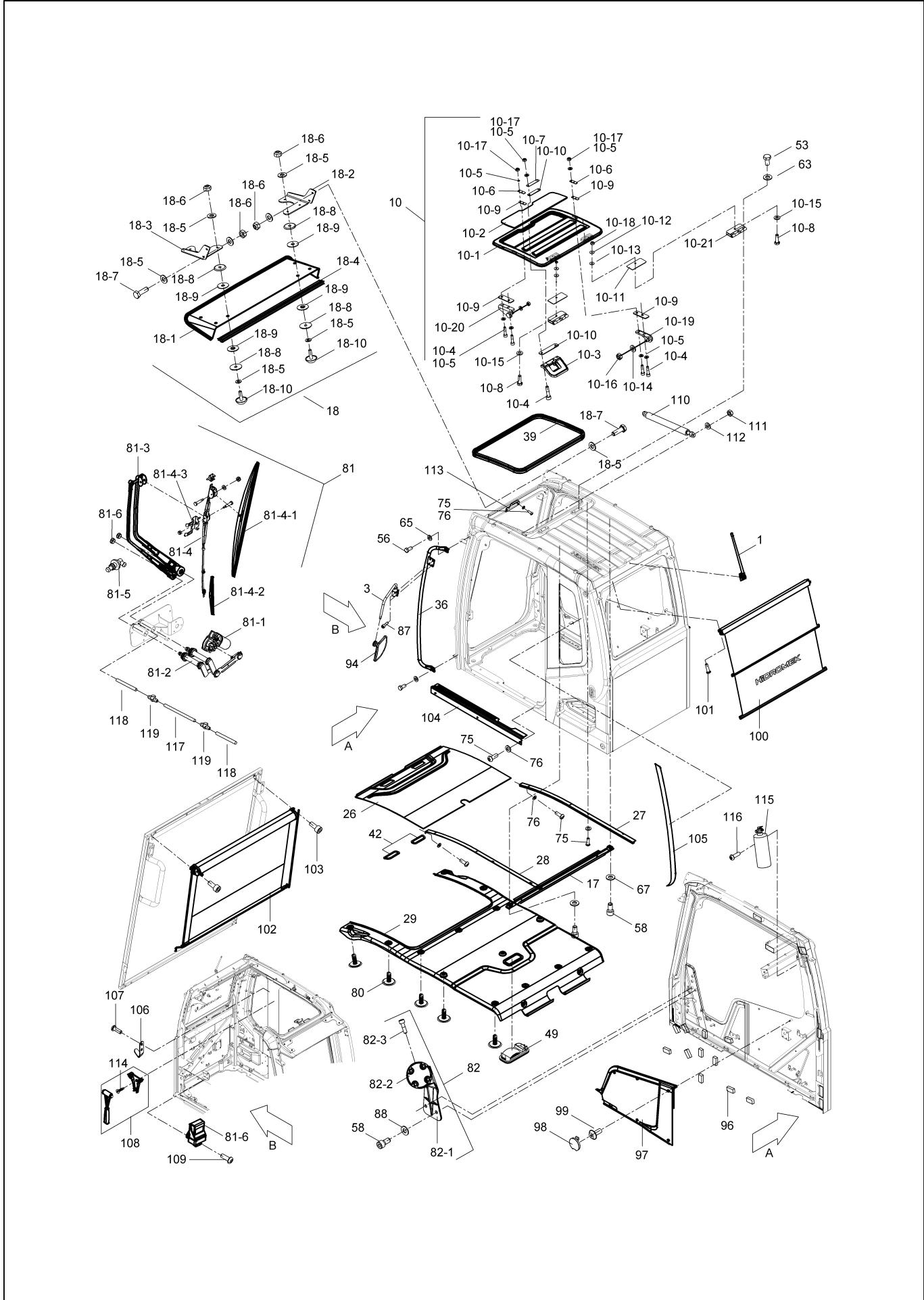
# KABİN DONANIMI CAB ACCESSORIES



## KABİN DONANIMI CAB ACCESSORIES

No	Parça No	Parça Adı	Adet	S.K.	Bas.S.N	Bit.S.N	Y.K.	Not
No	Part no	Description	Qty	SC	S/N from	S/N to	ICA	Note
1	F9925242	ANTEN	1					
3	M116001100	AYNA KOLU K.M.	1					
10	H906245000	SUNROOF KOMPLESİ	1					
10-1	H906245500	SUNROOF K.M.	1					
10-2	H906245100	CAM, SUNROOF	1					
10-3	H906033700	KİLİT, SUNROOF	1					
10-4	N015890326	CIVATA	2					M6x25
10-5	N030090013	PUL	2					
10-6	H906246100	BAĞLANTI SACI	2					
10-7	H906246900	BAĞLANTI SACI	1					
10-8	N010222138	CIVATA	2					M8x25
10-9	H906246200	LASTİK	4					
10-10	H906246300	LASTİK	2					
10-11	H906246400	LASTİK	2					
10-12	H906245700	PUL	2					
10-13	H906245800	PUL	2					
10-14	N030020006	PUL	2					
10-15	N030140017	PUL	2					
10-16	N025900050	SOMUN	2					M6
10-17	N025910050	SOMUN	6					M6
10-18	N025910062	SOMUN	2					M8
10-19	H906250500	BRAKET, SAĞ	1					
10-20	H906250600	BRAKET, SOL	1					
10-21	H906035500	MENTEŞE	2					
17	H906215500	BAĞLANTI SACI	1					
18	H906218700	SİPERLİK KOMPLESİ	1					OP
18-1	H906144900	SİPERLİK	1					OP
18-2	H906218500	BRAKET, SAĞ	1					OP
18-3	H906218400	BRAKET, SOL	1					OP
18-4	H906218600	FİTİL	1					OP
18-5	N030140017	PUL	20					OP
18-6	N025900062	SOMUN	10					M8
18-7	N010222138	CIVATA	4					M8x25
18-8	81040045	PUL, PLASTİK, SERT	12					OP
18-9	81040046	PUL, PLASTİK, YUMUŞAK	12					OP
18-10	N010000008	CIVATA	6					OP
26	H906144800	PERDE, SUNROOF	1					
27	H906215100	RAY	1					
28	H906215200	RAY	1					
29	H906144700	KAPLAMA, TAVAN	1					
36	H906203000	BİNİŞ TUTAMAĞI	1					
39	H906242800	FİTİL	1					
42	H906052500	GROMET	2					
49	H906054900	LAMBA, İÇ AYDINLATMA	1					
53	N010222120	CIVATA	4					M8x20
56	N010232822	CIVATA	2					M12x25
58	N015870446	CIVATA	5					M8x16
63	N030140017	PUL	4					
65	N030100023	PUL	2					

# KABİN DONANIMI CAB ACCESSORIES

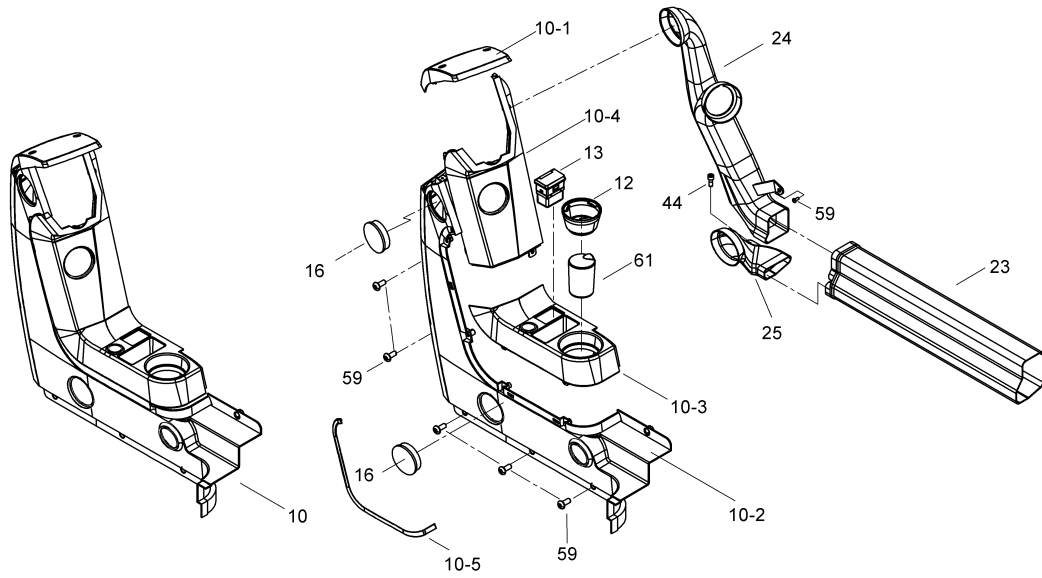




## KABİN DONANIMI CAB ACCESSORIES

No	Parça No	Parça Adı		Adet	S.K.	Bas.S.N	Bit.S.N	Y.K.	Not
No	Part no	Description		Qty	SC	S/N from	S/N to	ICA	Note
67	N030140017	PUL	WASHER	2					
75	N049560844	VİDA	SCREW	11					M6x15
76	N030100013	PUL	WASHER	11					
80	N130165200	DÜBEL	FIXING PLUG	14					
81	H906056000	ŞİLECEK KOMPLESİ	WIPER ASS'Y	1					
81-1	H909060001	ŞİLECEK MOTORU	ROTARY WIPER MOTOR	1					
81-2	H909060002	ŞİLECEK BAĞLANTI KOMPLESİ	LINKAGE ASS'Y	1					
81-3	H909060003	ŞİLECEK KOLU	WIPER ARM	1					
81-4	H909060004	ŞİLECEK SÜPERGE KOMPLESİ	WIPER BLADE ASS'Y	1					
81-4-1	H909060005	ŞİLECEK SÜPÜRGESİ	WIPER BLADE	1					
81-4-2	H909060006	ŞİLECEK SÜPÜRGESİ	WIPER BLADE	1					
81-4-3	H909060007	AKSESUAR	ACCESSORIES	1					
81-5	H909060008	DİRSEK	ELBOW	1					
81-6	H909060009	KAPAK, ŞİLECEK	CAP, WIPER	2					
82	H906051000	BRAKET, LCD	BRACKET, LCD	1					
82-1	H906051100	BRAKET, ALT	BRACKET, LOWER	1					
82-2	H906051200	BRAKET, ÜST	BRACKET, UPPER	1					
82-3	N015870314	CIVATA	BOLT	3					M6x20
87	N015870314	CIVATA	BOLT	4					M6x20
88	N030100017	PUL	WASHER	7					
94	S9100965	AYNA	MIRROR	1					
96	H130321012	SÜNGER	SPONGE	11					
97	H906116400	KAPLAMA, SAĞ	COVER, RH	1					
98	H906105700	KAPAK	COVER	5					
99	N049601838	VİDA	SCREW	5					M5x12
100	H906241300	PERDE, ARKA	CURTAIN, REAR	1					
101	N049601838	VİDA	SCREW	2					
102	H906241200	PERDE, AÇILIR CAM	CURTAIN, SLIDING GLASS	1					
103	N015870158	CIVATA	BOLT	2					M5x12
104	H906231800	SAC, PASPAS	PLATE, FOOT	1					
105	H906247600	ŞERİT	STRIP	1					
106	H906217100	SAC, ASKI	PLATE, HANGER	1					
107	N049561280	VİDA	SCREW	2					
108	H906254300	İMDAT ÇEKİCİ	EMERGENCY HAMMER	1					
109	N049601838	VİDA	SCREW	2					
110	H906247900	AMORTİSÖR, SUNROOF	GAS SPRING, SUNROOF	2					
111	N025900050	SOMUN	NUT	4					M6
112	N030020006	PUL	WASHER	4					
113	H906245900	KİLİT KARŞILIĞI, SUNROOF	STRIKER, SUNROOF	1					
114	N049530362	VİDA	SCREW	2					
115	F9930300	YANGIN TÜPÜ	FIRE EXTINGUISHER	1					
116	N043721265	VİDA	SCREW	2					
117	H906253100	HORTUM, ŞİLECEK SUYU	PIPE, WIPER	1					
118	H906255700	HORTUM, ŞİLECEK SUYU	PIPE, WIPER	2					
119	F3210568	ÇEK VALF, ŞİLECEK	CHECK VALVE, WIPER	1					

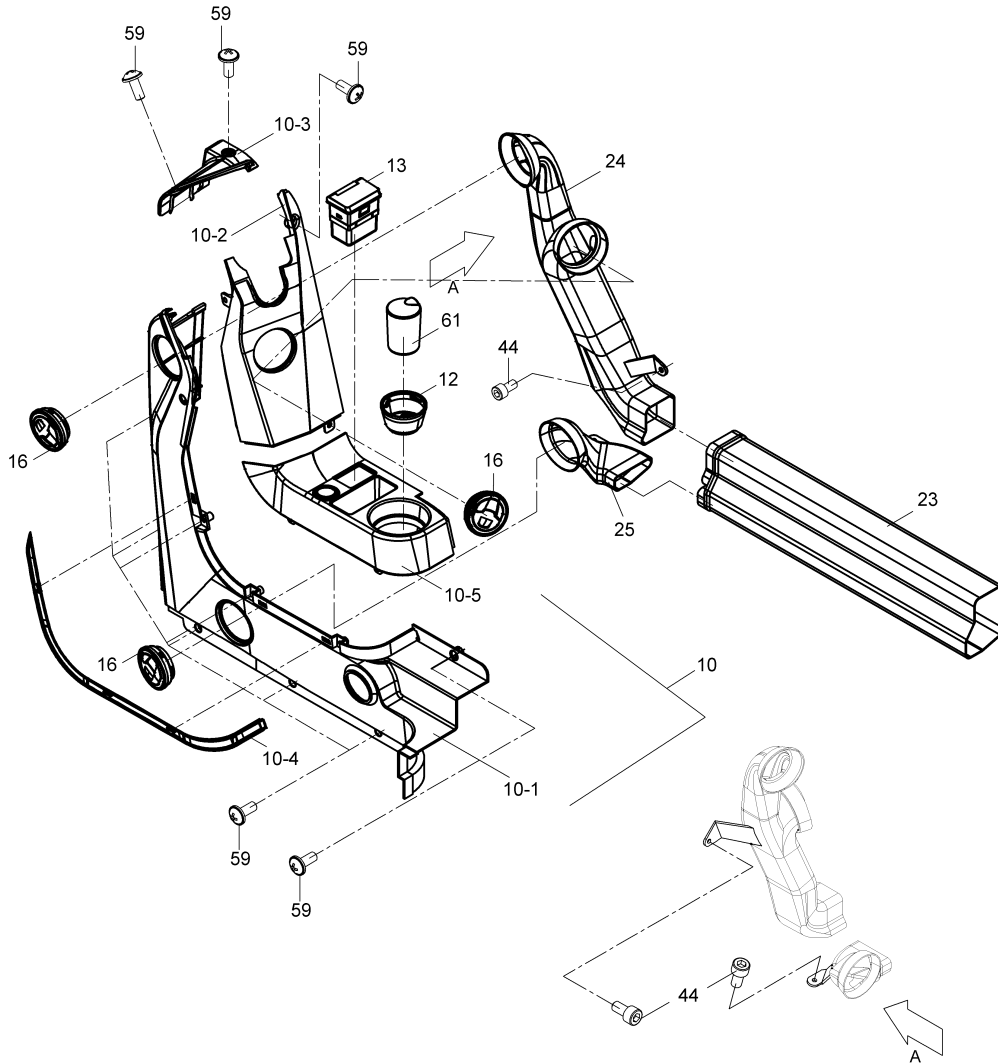
### KONSOL MONTAJI, ÖN CONSOLE ASS'Y, FRONT



**KONSOL MONTAJI, ÖN  
CONSOLE ASS'Y, FRONT**

No	Parça No	Parça Adı		Adet	S.K.	Bas.S.N	Bit.S.N	Y.K.	Not
No	Part no	Description		Qty	SC	S/N from	S/N to	ICA	Note
10	H906115000	KONSOL KOMPLESİ, ÖN	CONSOLE, FRONT	1					
10-1	H906115100	KAPLAMA	COVER	1					
10-2	H906115200	KAPLAMA	COVER	1					
10-3	H906115300	KAPLAMA	COVER	1					
10-4	H906115400	KAPLAMA	COVER	1					
10-5	H906115500	ŞERİT	STRIP	1					
12	H906115700	BARDAKLIK	CUP HOLDER	1					
13	H906116000	USB KUTUSU KOMPLESİ	USB BOX ASS'Y	1					
16	F2520514	HAVA MENFEZİ	AIR VENT	3					
23	H906119400	HAVA KANALI	AIR DUCT	1					
24	H906119500	HAVA KANALI, ÖN	AIR DUCT, FRONT	1					
25	H906119600	HAVA KANALI, ÖN	AIR DUCT, FRONT	1					
44	N015870290	CIVATA	BOLT	1					
59	N049561280	VİDA	SCREW	13					
61	F3218725	KÜLTABLASI	ASHTRAY	1					

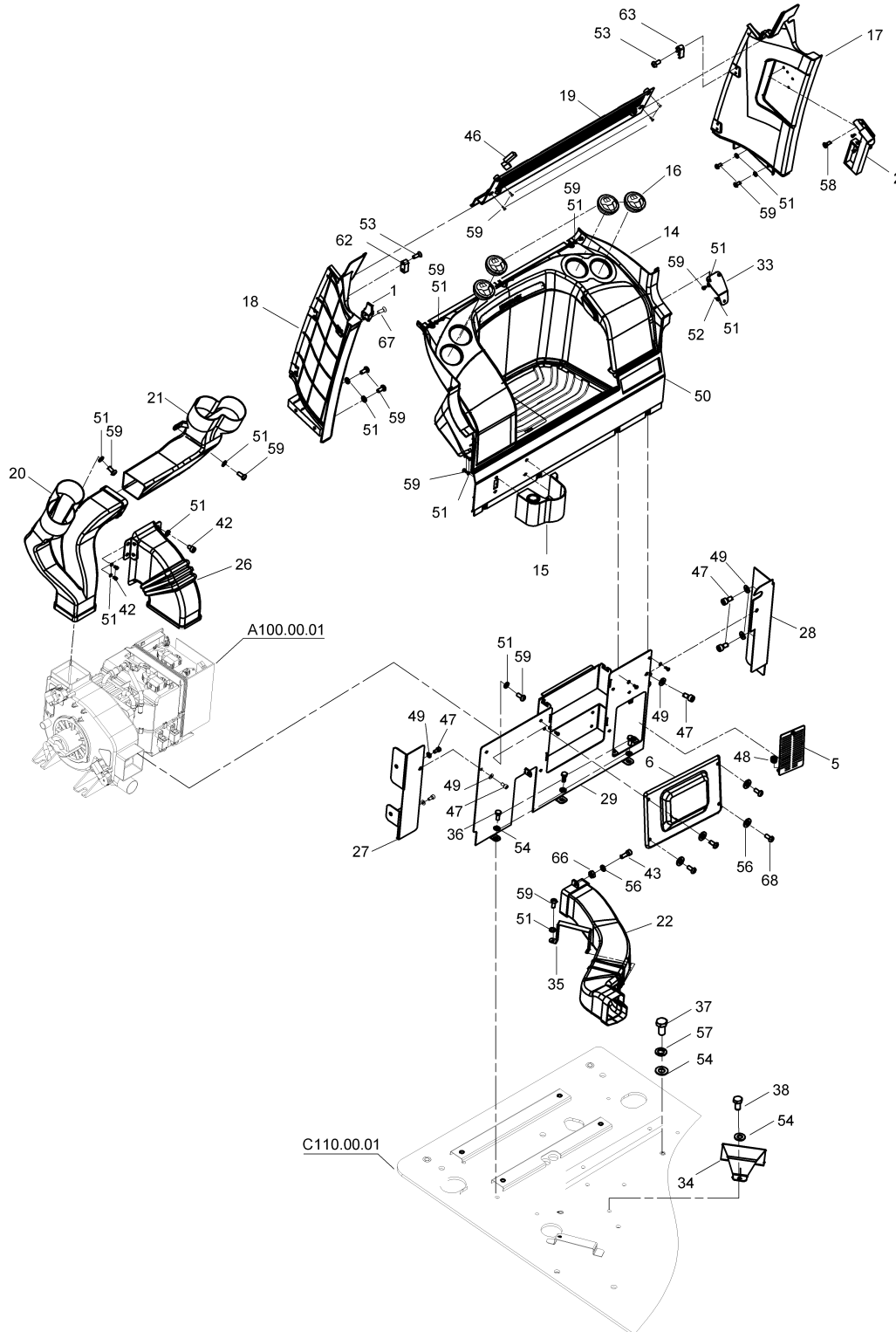
# KONSOL MONTAJI, ÖN CONSOLE ASS'Y, FRONT



**KONSOL MONTAJI, ÖN  
CONSOLE ASS'Y, FRONT**

No	Parça No	Parça Adı		Adet	S.K.	Bas.S.N	Bit.S.N	Y.K.	Not
No	Part no	Description		Qty	SC	S/N from	S/N to	ICA	Note
10	H906115900	KONSOL KOMPLESİ, ÖN	CONSOLE, FRONT	1					
10-1	H906143100	KAPLAMA	COVER	1					
10-2	H906143200	KAPLAMA	COVER	1					
10-3	H906143300	KAPLAMA	COVER	1					
10-4	H906143400	ŞERİT	STRIP	1					
10-5	H906115300	KAPLAMA	COVER	1					
12	H906115700	BARDAKLIK	CUP HOLDER	1					
13	H906116000	USB KUTUSU KOMPLESİ	USB BOX ASS'Y	1					
16	F2520514	HAVA MENFEZİ	AIR VENT	3					
23	H906119400	HAVA KANALI	AIR DUCT	1					
24	H906143700	HAVA KANALI, ÖN	AIR DUCT, FRONT	1					
25	H906119600	HAVA KANALI, ÖN	AIR DUCT, FRONT	1					
44	N015870290	CIVATA	BOLT	3					M6x12
59	N044720662	VİDA	SCREW	13					M5x12
61	F3218725	KÜLTABLASI	ASHTRAY	1					

**KONSOL MONTAJI, ARKA**  
**CONSOLE ASS'Y, REAR**



**KONSOL MONTAJI, ARKA  
CONSOLE ASS'Y, REAR**

No	Parça No	Parça Adı		Adet	S.K.	Bas.S.N	Bit.S.N	Y.K.	Not
No	Part no	Description		Qty	SC	S/N from	S/N to	ICA	Note
1	F3218691	ELBİSE ASKISI	COAT HOOK	1					
2	H346071400	İMDAT ÇEKİCİ	EMERGENCY HAMMER	1					
5	H906132600	KAPAK SACI K.M.	COVER W.A.	1					
6	H906141300	KAPLAMA	COVER	1					
14	H906117000	KAPLAMA KOMPLESİ, ARKA	COVER ASS'Y, REAR	1					
15	H906117600	ŞİŞE TUTUCU	HOLDER, BOTTLE	1					
16	H906117700	HAVA MENFEZİ	AIR VENT	4					
17	H906118100	KAPLAMA, SOL	COVER, LH	1					
18	H906118200	KAPLAMA, SAĞ	COVER, RH	1					
19	H906118300	KAPLAMA, ARKA	COVER, REAR	1					
20	H906119800	HAVA KANALI, ARKA SAĞ	AIR DUCT, REAR-RH	1					
21	H906119200	HAVA KANALI, ARKA SOL	AIR DUCT, REAR-LH	1					
22	H906119300	HAVA KANALI	AIR DUCT	1					
26	H906120000	HAVA KANALI	AIR DUCT	1					
27	H906129501	BRAKET K.M.	BRACKET W.A.	1					SAĞ
28	H906129701	BRAKET K.M.	BRACKET W.A.	1					SOL
29	H906130002	KAPAK SACI K.M.	COVER W.A.	1					
33	H906138500	BRAKET	BRACKET	1					
34	H906140800	KORUMA SACI	COVER, PROTECTION	1					
35	H906138801	KORUMA SACI	COVER, PROTECTION	1					
36	N010232462	CIVATA	BOLT	3					
37	N010232438	CIVATA	BOLT	2					
38	N010232462	CIVATA	BOLT	3					
42	N015870134	CIVATA	BOLT	4					
43	N010231514	CIVATA	BOLT	1					
46	H130321012	SÜNGER	SPONGE	9					
47	N015891168	CIVATA	BOLT	7					
48	81040016	GROMET	GROMMET	1					
49	N030090017	PUL	WASHER	7					
50	H906139000	PASPAS, BAGAJ	MAT, BAGGAGE	1					
51	N030100011	PUL	WASHER	21					
52	N023570146	SOMUN	NUT	1					
53	N043700926	VİDA	SCREW	8					
54	N030100020	PUL	WASHER	8					
56	N030020004	PUL	WASHER	4					
57	N031310011	YAYLI RONDELA	SPRING WASHER	2					
58	N043700976	CIVATA	BOLT	4					
59	N049561280	VİDA	SCREW	24					
62	H906142000	DURDURUCU, SAĞ	STOPPER, RH	2					
63	H906142200	DURDURUCU, SOL	STOPPER, LH	2					
66	N023570158	SOMUN	NUT	1					
67	N044061154	VİDA	SCREW	1					
68	N049561284	VİDA	SCREW	4					





**KONSOL MONTAJI, ARKA  
CONSOLE ASS'Y, REAR**

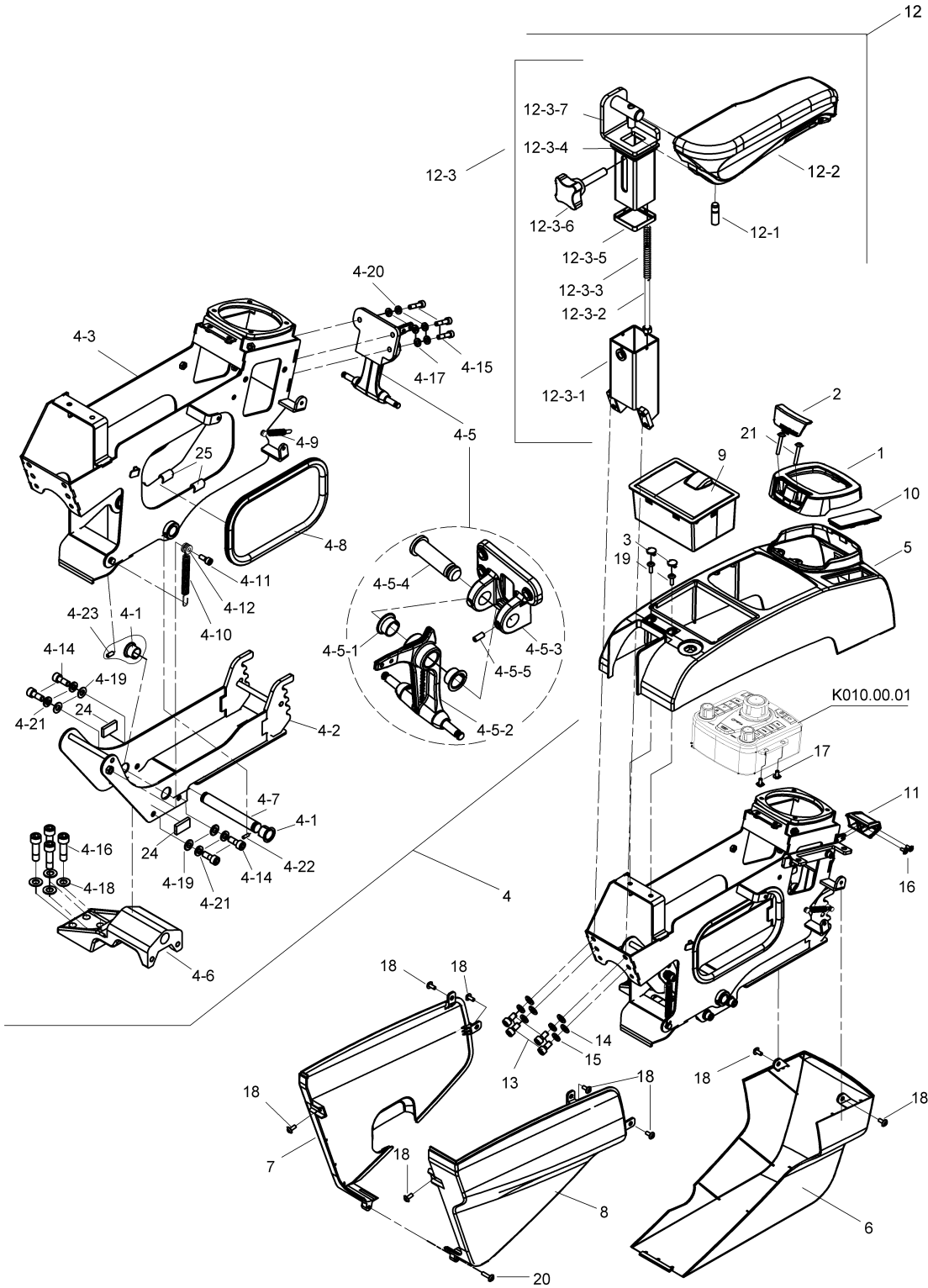
No	Parça No	Parça Adı		Adet	S.K.	Bas.S.N	Bit.S.N	Y.K.	Not
No	Part no	Description		Qty	SC	S/N from	S/N to	ICA	Note
5	H906132600	KAPAK SACI K.M.	COVER W.A.	1					
6	H906141300	KAPLAMA	COVER	1					
14	H906117000	KAPLAMA KOMPLESİ, ARKA	COVER ASS'Y, REAR	1					
14-1	H906117100	GÖVDE, ARKA KONSOL	BODY, CONSOLE ASS'Y	1					
14-2	H906117200	TORPİDO KAPAĞI, SAĞ	COVER, TORPEDO, RH	1					
14-3	H906117300	TORPİDO KAPAĞI, SOL	COVER, TORPEDO, LH	1					
14-4	H906117400	ŞERİT	STRIP	1					
14-5	H906117500	KAPAK	COVER	1					
14-6	H906118500	MENTEŞE	HINGE	4					
14-7	N043701298	VİDA	SCREW	4					M6x15
14-8	N043721262	VİDA	SCREW	4					M6x10
15	H906117600	ŞİŞE TUTUCU	HOLDER, BOTTLE	1					
16	F2520514	HAVA MENFEZİ	AIR VENT	4					
17	H906143500	KAPLAMA, SAĞ	COVER, RH	1					
18	H906143600	KAPLAMA, SOL	COVER, LH	1					
20	H906120500	HAVA KANALI, ARKA SAĞ	AIR DUCT, REAR-RH	1					
21	H906144100	HAVA KANALI, ARKA SOL	AIR DUCT, REAR-LH	1					
22	H906119300	HAVA KANALI	AIR DUCT	1					
26	H906220600	HAVA KANALI	AIR DUCT	1					
27	H906211800	BRAKET K.M.	BRACKET W.A.	1					
28	H906214500	BRAKET K.M.	BRACKET W.A.	1					
29	H906130002	KAPAK SACI K.M.	COVER W.A.	1					
33	H906138500	BRAKET	BRACKET	1					
35	H906138801	KORUMA SACI	COVER, PROTECTION	1					
36	N010232462	CIVATA	BOLT	3					M10x25
42	N015870302	CIVATA	BOLT	1					
43	N010231514	CIVATA	BOLT	1					M6x20
46	H130321012	SÜNGER	SPONGE	8					
47	N015891168	CIVATA	BOLT	2					M8x16
48	81040016	GROMET	GROMMET	2					
49	N030090017	PUL	WASHER	2					
50	H906139000	PASPAS, BAGAJ	MAT, BAGGAGE	1					
51	N030100011	PUL	WASHER	16					
52	N023570146	SOMUN	NUT	1					M5
53	N043700926	VİDA	SCREW	8					M4x12
56	N030020004	PUL	WASHER	9					
59	N044720662	VİDA	SCREW	20					
54	N030100020	PUL	WASHER	3					
62	H906142000	DURDURUCU, SAĞ	STOPPER, RH	2					
63	H906142200	DURDURUCU, SOL	STOPPER, LH	2					
65	N010231478	CIVATA	BOLT	2					
66	N023570158	SOMUN	NUT	1					
68	N049561284	VİDA	SCREW	4					M5x20



## KONSOL MONTAJI, SAĞ CONSOLE ASS'Y, RH

No	Parça No	Parça Adı	Adet	S.K.	Bas.S.N	Bit.S.N	Y.K.	Not
No	Part no	Description	Qty	SC	S/N from	S/N to	ICA	Note
0	H906107400	KONSOL KOMPLESİ, SAĞ	1					
1	H906105500	KAPLAMA, JOYSTİK	1					
2	H906105600	KAPLAMA	1					
3	H906105700	KAPAK	2					
4	H906107500	KONSOL MEKANİZMASI KOMPLESİ, SAĞ	1					
4-1	H906102200	YATAK BURCU	2					
4-2	H906107600	KONSOL ŞAŞI K.M., SAĞ-IÇ	1					
4-3	H906108000	KONSOL ŞAŞI K.M., SAĞ-DIŞ	1					
4-5	H906109400	AYAR KOLU KOMPLESİ	1					
4-5-1	H906104200	YATAK BURCU	2					
4-5-2	H906104800	AYAR KOLU K.M.	1					
4-5-3	H906124500	BRAKET K.M.	1					
4-5-4	H906125000	PİM	1					
4-5-5	N043120564	SETSKUR	1					
4-6	H906109700	DESTEK, SAĞ	1					
4-7	H906109800	PİM	1					
4-8	H130135102	FİTİL	1					
4-9	H906125102	YAY	2					
4-10	H906125200	YAY	1					
4-11	H906161701	TUTUCU	1					
4-12	N015870302	CIVATA	1					M6x16
4-14	N015870458	CIVATA	4					M8x20
4-15	N015890326	CIVATA	3					M6x25
4-16	N015890830	CIVATA	4					M10x35
4-17	N030090013	PUL	5					
4-18	N030100020	PUL	4					
4-19	N030108001	PUL	4					
4-20	N031310008	YAYLI RONDELA	5					
4-21	N031300100	YAYLI RONDELA	4					
4-22	N043120450	SETSKUR	1					
4-23	N043120564	SETSKUR	1					
5	H906110500	KAPLAMA, SAĞ KONSOL, ÜST	1					
6	H906110600	KAPLAMA, SAĞ KONSOL, ÖN	1					
7	H906110700	KAPLAMA, SAĞ KONSOL, SOL YAN	1					
8	H906110800	KAPLAMA, SAĞ KONSOL, SAĞ YAN	1					
9	H906112000	TORPİDO KUTUSU	1					
10	H906112300	KAPLAMA	1					
11	H906133500	ELCİK, AYAR	1					
12	H906136500	KOLÇAK KOMPLESİ, SAĞ	1					
12-1	H906134700	CIVATA	1					
12-2	H906136100	KOLÇAK, SAĞ	1					
12-3	H906136600	KOLÇAK MEKANİZMA KOMPLESİ	1					
12-3-1	H906134100	DIŞ PROFİL K.M.	1					
12-3-2	H906135500	SAPLAMA	1					
12-3-3	H906135600	YAY	1					

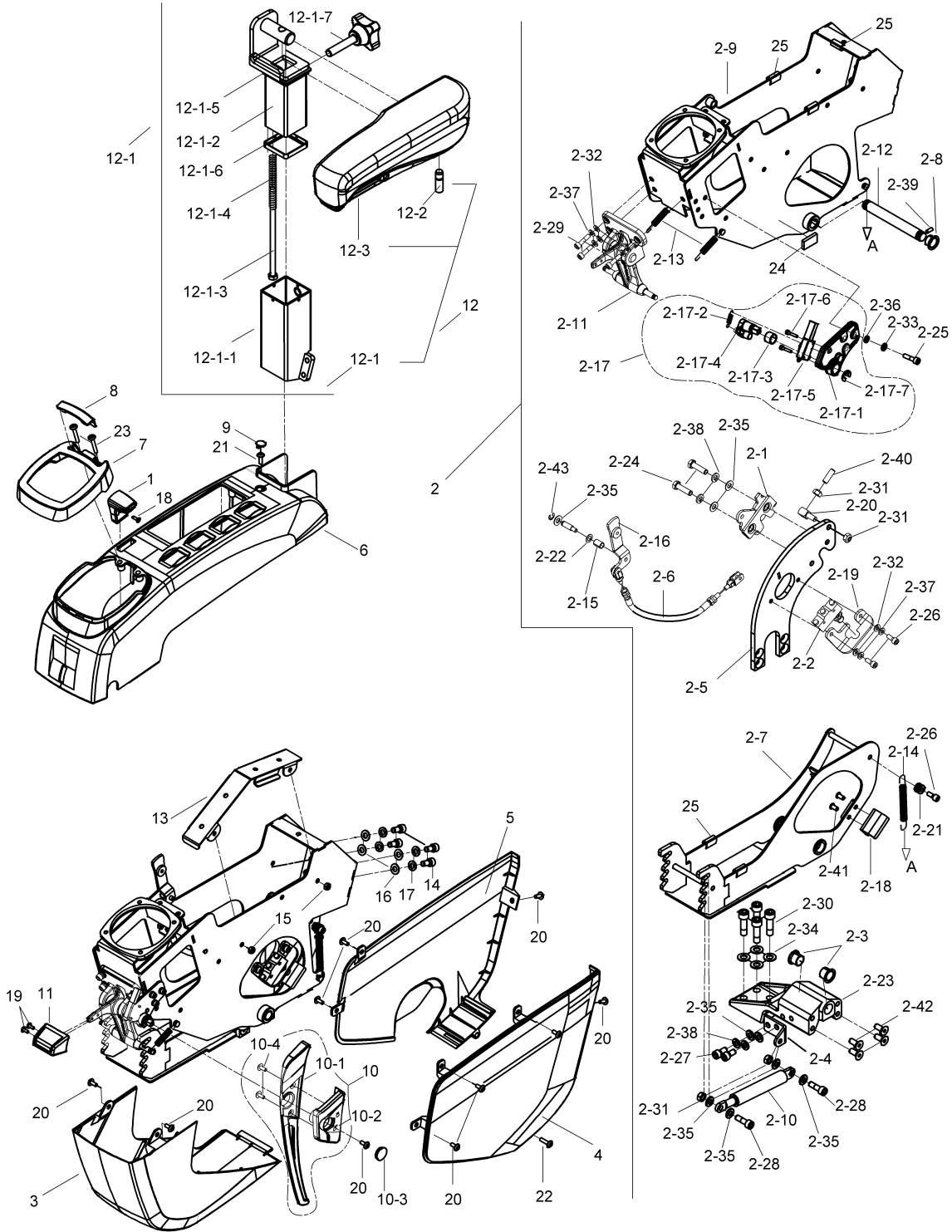
### KONSOL MONTAJI, SAĞ CONSOLE ASS'Y, RH



**KONSOL MONTAJI, SAĞ  
CONSOLE ASS'Y, RH**

No	Parça No	Parça Adı	Adet	S.K.	Bas.S.N	Bit.S.N	Y.K.	Not
No	Part no	Description	Qty	SC	S/N from	S/N to	ICA	Note
12-3-4	H906135700	YATAK, BÜYÜK	1					
12-3-5	H906135800	YATAK	1					
12-3-6	H906135900	TOPUZ VİDA	1					
12-3-7	H906136800	İÇ PROFİL K.M.	1					
13	N015870446	CIVATA	4					M8x16
14	N030108001	PUL	4					
15	N031310010	YAYLI RONDELA	4					
16	N049601622	VİDA	2					M4x10
17	N049601826	VİDA	4					M5x10
18	N049601838	VİDA	8					M5x12
19	N049601862	VİDA	2					M5x16
20	N049601886	VİDA	1					M5x20
21	N049601946	VİDA	2					M5x35
24	H130321012	SÜNGER	3					
25	H130135102	FİTİL	2					

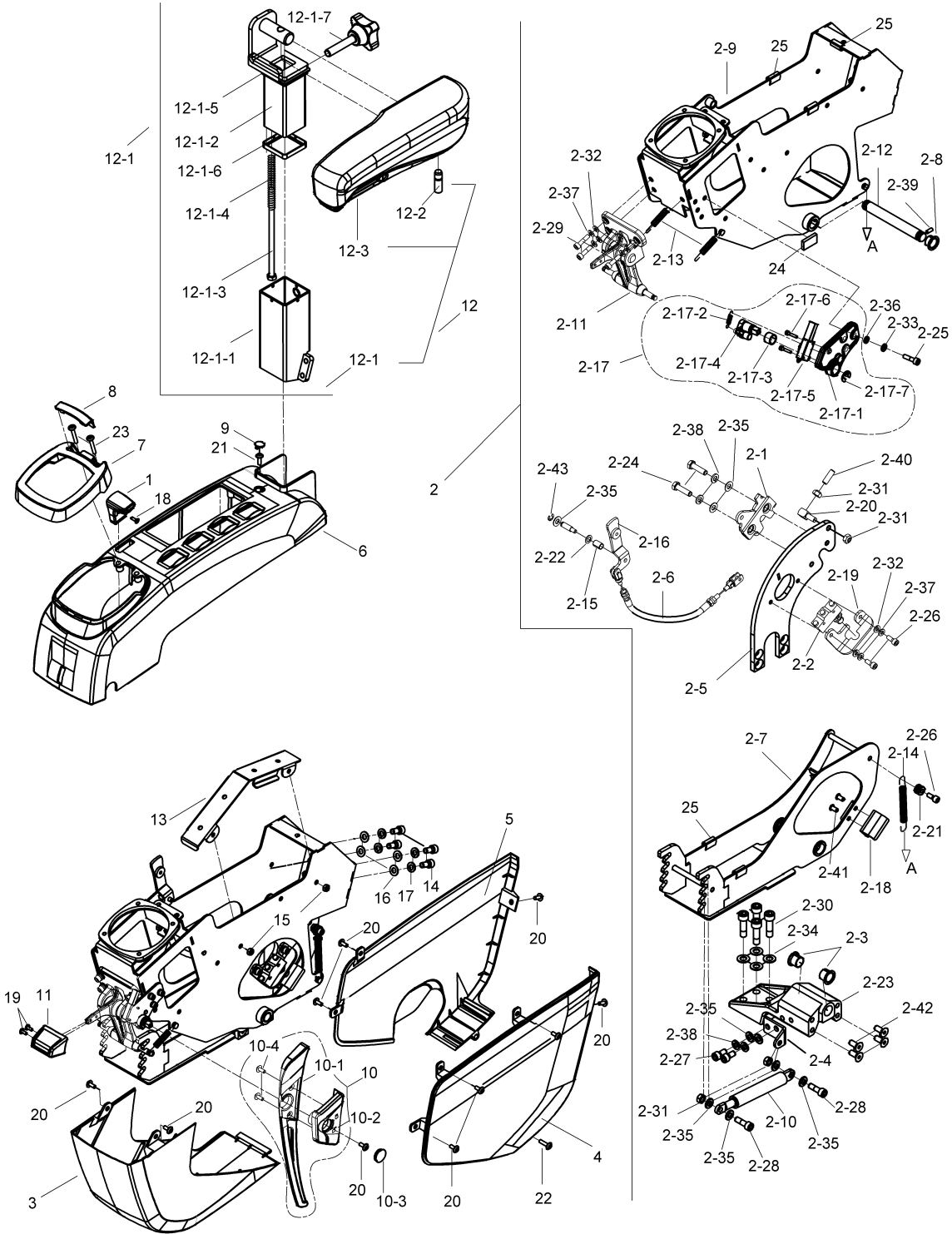
### KONSOL MONTAJI, SOL CONSOLE ASS'Y, LH



### KONSOL MONTAJI, SOL CONSOLE ASS'Y, LH

No	Parça No	Parça Adı	Adet	S.K.	Bas.S.N	Bit.S.N	Y.K.	Not
No	Part no	Description	Qty	SC	S/N from	S/N to	ICA	Note
0	H906102000	KONSOL KOMPLESİ, SOL	1					
1	F9940411	ELCİK	1					
2	H906102100	KONSOL MEKANİZMASI KOMPLESİ, SOL	1					
2-1	F9960260	KİLİT	1					
2-2	H346116100	ANAHTAR	1					
2-3	H906102200	YATAK BURCU	2					
2-4	H906102300	BRAKET, AMORTİSÖR BAĞLANTISI	1					
2-5	H906102400	BRAKET K.M.	1					
2-6	H906102800	TEL, KONSOL KİLİT	1					
2-7	H906103300	KONSOL ŞAŞI K.M., SOL-İÇ	1					
2-8	H906104200	YATAK BURCU	2					
2-9	H906104300	KONSOL ŞAŞI K.M., SOL-DIŞ	1					
2-10	H906105900	AMORTİSÖR	1					
2-11	H906109400	AYAR KOLU KOMPLESİ	1					
2-12	H906124800	PİM	1					
2-13	H906125102	YAY	2					
2-14	H906125200	YAY	1					
2-15	H906125300	YATAK BURCU	1					
2-16	H906125400	ELCİK	1					
2-17	H906124100	ANAHTAR-BRAKET KOMPLESİ	1					
2-17-1	H906124300	BRAKET	1					
2-17-2	H906127300	YAY	1					
2-17-3	H906126500	YATAK BURCU	1	K				
2-17-4	H906124400	KAM K.M.	1	K				
2-17-5	H906131000	ANAHTAR	1					
2-17-6	N015874142	CIVATA	2					M3x16
2-17-7	N050760005	SEGMAN	1	K				
2-18	H906127100	SAC	1					
2-19	H906131500	SAC	1					
2-20	H906131600	KİLİT TAHDİTİ	1					
2-21	H906131701	TUTUCU	1					
2-22	H906131800	PUL	1					
2-23	H906133100	DESTEK, SOL	1					
2-24	N010232162	CIVATA	2					M8x30
2-25	N015870182	CIVATA	3					
2-26	N015870302	CIVATA	3					M6x16
2-27	N015870446	CIVATA	2					M8x16
2-28	N015870470	CIVATA	2					M8x25
2-29	N015890326	CIVATA	3					M6x25
2-30	N015890830	CIVATA	4					M10x35
2-31	N025900062	SOMUN	4					M8
2-32	N030090013	PUL	5					
2-33	N030100011	PUL	3					
2-34	N030100020	PUL	4					
2-35	N030108001	PUL	9					
2-36	N031310007	YAYLI RONDELA	3					M5
2-37	N031310008	YAYLI RONDELA	5					

### KONSOL MONTAJI, SOL CONSOLE ASS'Y, LH

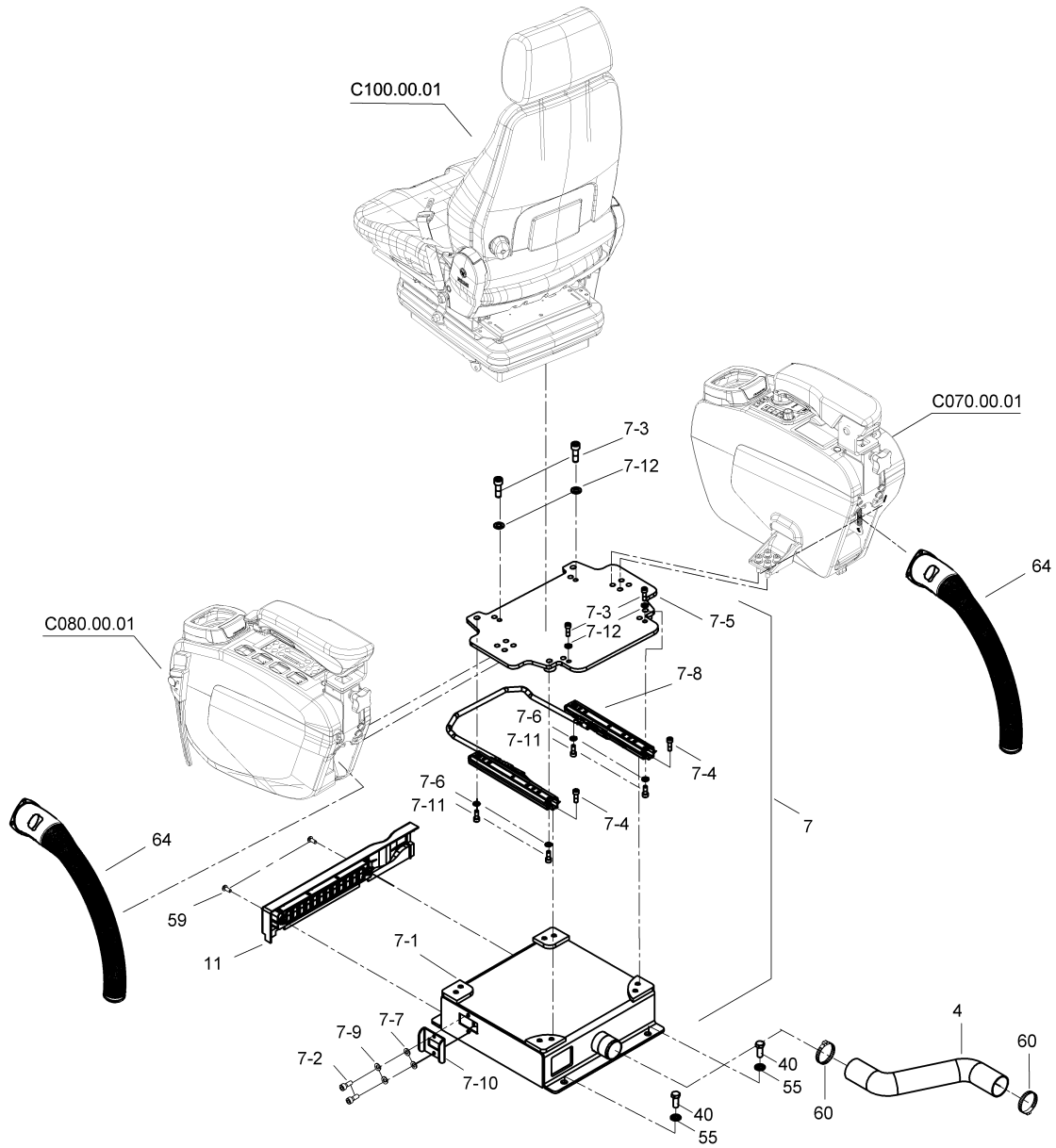




**KONSOL MONTAJI, SOL  
CONSOLE ASS'Y, LH**

No	Parça No	Parça Adı	Adet	S.K.	Bas.S.N	Bit.S.N	Y.K.	Not
No	Part no	Description	Qty	SC	S/N from	S/N to	ICA	Note
2-38	N031310010	YAYLI RONDELA	4					
2-39	N043120564	SETSKUR	2					
2-40	N043120754	SETSKUR	1					
2-41	N044320350	VİDA	2					
2-42	N044320506	VİDA	4					
2-43	N050760001	SEGMAN	1					
3	H906105100	KAPLAMA, SOL KONSOL, ÖN	1					
4	H906105200	KAPLAMA, SOL KONSOL, SOL YAN	1					
5	H906105300	KAPLAMA, SOL KONSOL, SAĞ YAN	1					
6	H906105400	KAPLAMA, SOL KONSOL, ÜST	1					
7	H906105500	KAPLAMA, JOYSTİK	1					
8	H906105600	KAPLAMA	1					
9	H906105700	KAPAK	1					
10	H906112400	EMNİYET ÇUBUĞU KOMPLESİ	1					
10-1	H906112500	EMNİYET ÇUBUĞU	1					
10-2	H906112600	EMNİYET ÇUBUĞU GÖBEĞİ	1					
10-3	H906112700	KAPAK, KIRMIZI	1					
10-4	N049601838	VİDA	2					M5x12
11	H906133500	ELCİK, AYAR	1					
12	H906133900	KOLÇAK KOMPLESİ, SOL	1					
12-1	H906134000	KOLÇAK MEKANİZMA KOMPLESİ	1					
12-1-1	H906134100	DIŞ PROFİL K.M.	1					
12-1-2	H906135000	İÇ PROFİL K.M.	1					
12-1-3	H906135500	SAPLAMA	1					
12-1-4	H906135600	YAY	1					
12-1-5	H906135700	YATAK, BÜYÜK	1					
12-1-6	H906135800	YATAK	1					
12-1-7	H906135900	TOPUZ VİDA	1					
12-2	H906134700	CIVATA	1					
12-3	H906136000	KOLÇAK, SOL	1					
13	H906137700	SAC K.M.	1					
14	N015870446	CIVATA	4					M8x16
15	N025900050	SOMUN	2					
16	N030108001	PUL	4					
17	N031310010	YAYLI RONDELA	4					
18	N044320110	VİDA	1					M4x12
19	N049601622	VİDA	2					M4x10
20	N049601838	VİDA	10					M5x12
21	N049601862	VİDA	5					M5x16
22	N049601886	VİDA	1					M5x20
23	N049601946	VİDA	2					M5x35
24	H130321012	SÜNGER	4					
25	H130135102	FİTİL	6					
K	H906124200	SVİÇ BRAKETİ KOMPLESİ	1					

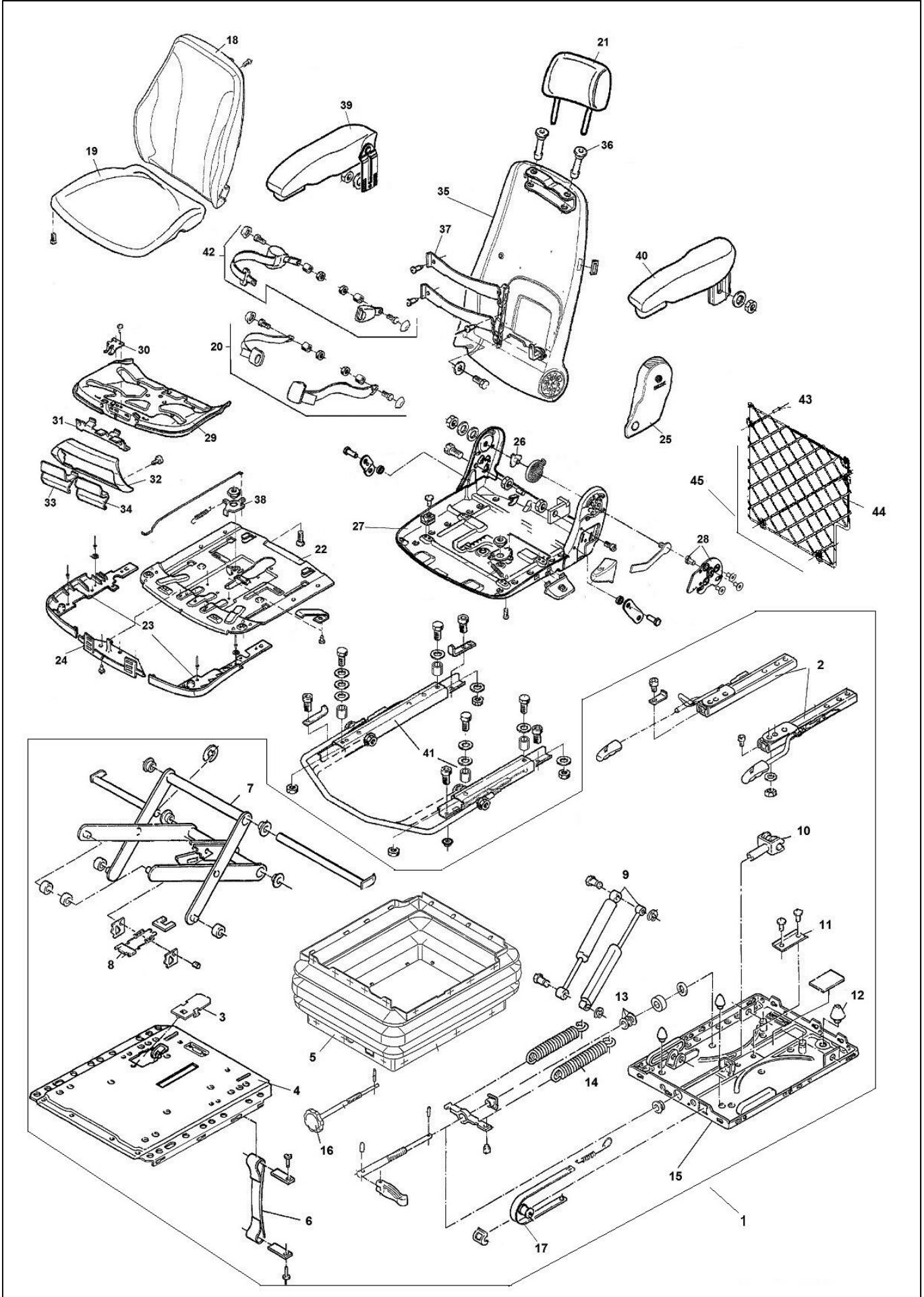
# OPERATÖR KOLTUK MONTAJI OPERATOR SEAT MOUNTING



**OPERATÖR KOLTUK MONTAJI**  
**OPERATOR SEAT MOUNTING**

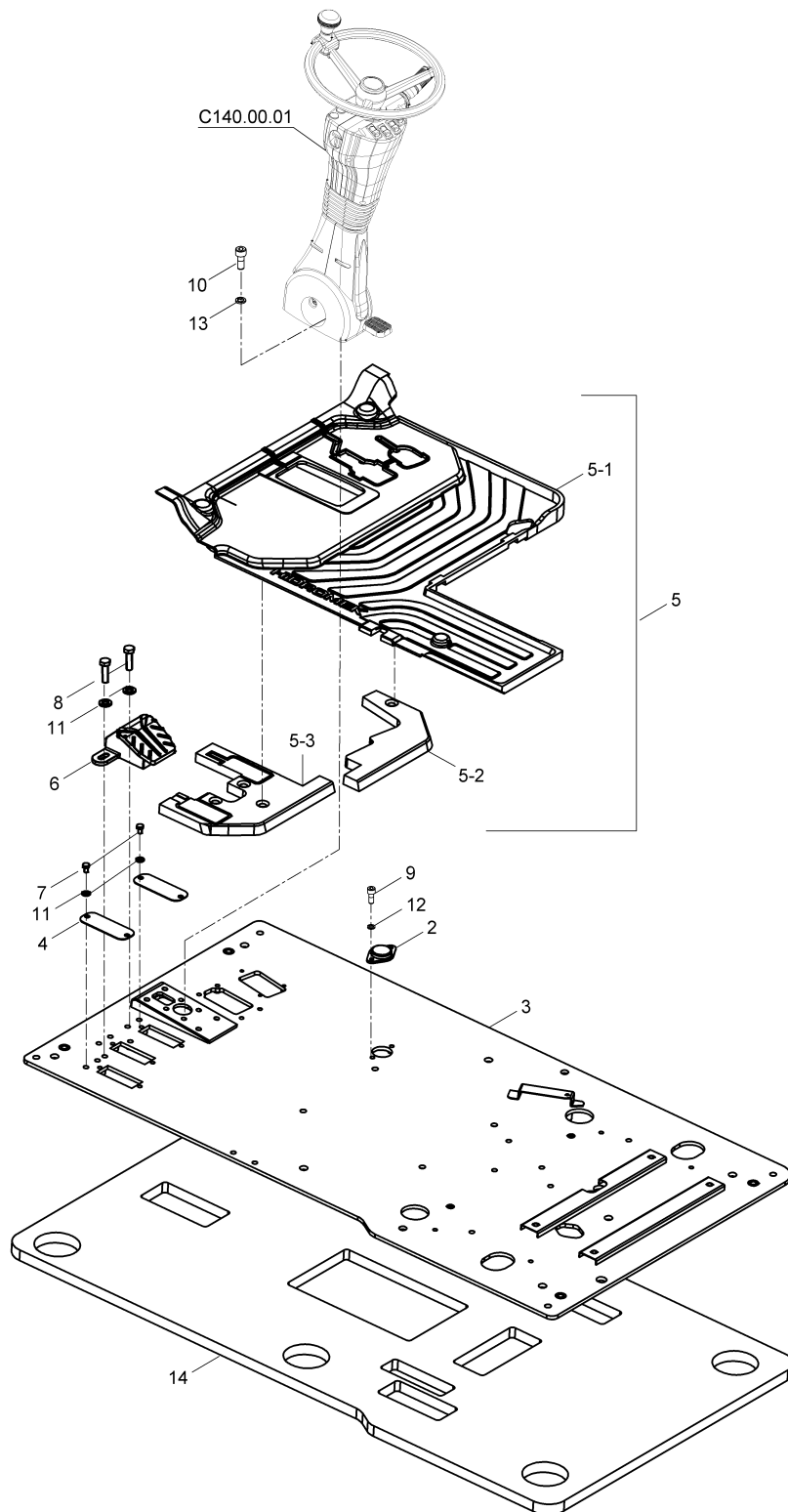
No	Parça No	Parça Adı	Description	Adet	S.K.	Bas.S.N	Bit.S.N	Y.K.	Not
No	Part no			Qty	SC	S/N from	S/N to	ICA	Note
4	H346118102	HORTUM, HAVA	HOSE, AIR	1					
7	H906191000	KOLTUK PLATFORM KOMPLESİ	SEAT SUPPORT ASS'Y	1					
7-1	H906101101	DESTEK K.M.	SUPPORT W.A.	1					
7-2	N015870302	CIVATA	BOLT	2					
7-3	N015870470	CIVATA	BOLT	4					
7-4	N015910494	CIVATA	BOLT	4					
7-5	H906190500	KOLTUK ADAPTÖR SACI K.M.	SEAT ADAPTER PLATE W.A.	1					
7-6	N030020011	PUL	WASHER	4					
7-7	N030090013	PUL	WASHER	2					
7-8	H906190400	RAY KOMPLESİ	ADJUSTER ASS'Y	1					
7-9	N031310008	YAYLI RONDELA	SPRING WASHER	2					
7-10	H906138000	BRAKET	BRACKET	1					
7-11	N015890470	CIVATA	BOLT	4					
7-12	N030090017	PUL	WASHER	4					
11	H906115600	KAPLAMA	COVER	1					
40	N010232846	CIVATA	BOLT	4					
55	N030810001	PUL	WASHER	4					
59	N049561280	VİDA	SCREW	13					
60	N074040060	KELEPÇE	CLAMP	2					
64	H906139700	HORTUM	HOSE	2					

**OPERATÖR KOLTUK KOMPLESİ**  
**OPERATOR SEAT ASS'Y**



**OPERATÖR KOLTUK KOMPLESİ**  
**OPERATOR SEAT ASS'Y**

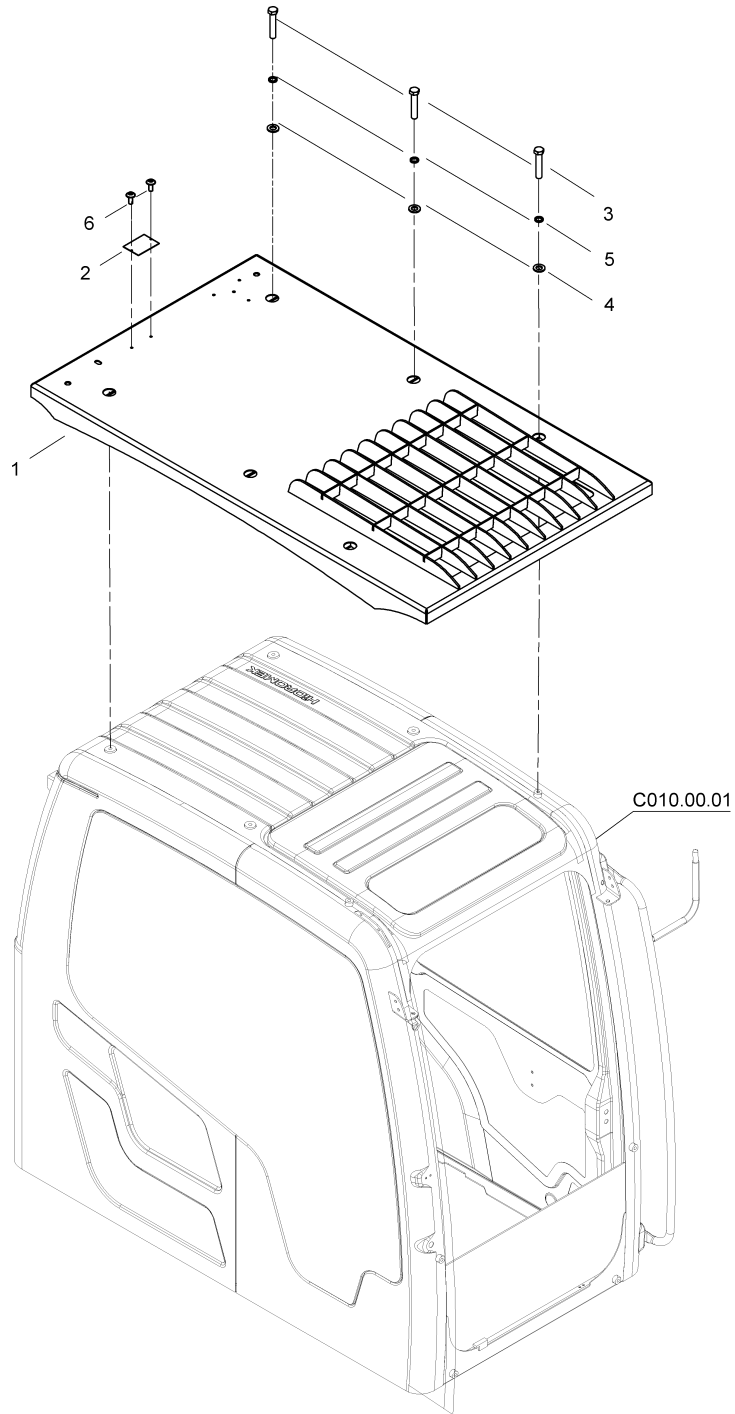
No	Parça No	Parça Adı	Adet	S.K.	Bas.S.N	Bit.S.N	Y.K.	Not
No	Part no	Description	Qty	SC	S/N from	S/N to	ICA	Note
0	H906139500	KOLTUK KOMPLESİ	1					
1	H909090030	ESNEME KOMPLESİ	1					
2	H909090025	KIZAK KOMPLESİ	1					
3	H909065001	KAPAK SACI	1					
4	H909065002	ESNEME, ÜST	1					
5	H909065003	KÖRÜK	1					
6	H909065004	KEMER	1					
7	H909090026	MAKAS KOMPLESİ	1					
8	H909065005	PLAKA	1					
9	H909090027	AMORTİSÖR	1					
10	H909065006	YATAK KOLU	1					
11	H909065007	U-PROFİL	1					
12	H909065008	TAHDİT TAKOZU	1					
13	H909065009	BASKI PULU KİTİ	1					
14	H909090028	YAY KOMPLESİ	1					
15	H909065010	ESNEME, ALT	1					
16	H909090029	AYAR KOLU	1					
17	H909090031	AĞIRLIK GÖSTERGESİ	1					
18	H909065038	ARKALIK SÜNGERİ	1					
19	H909065011	OTURAK SÜNGERİ	1					
20	H909065012	EMNİYET KEMERİ	1					
21	H909065013	KOLTUK BAŞLIĞI	1					
22	H909065014	OTURAK SACI KOMPLESİ	1					
23	H909065015	KAPLAMA	1					
24	H909065016	BRAKET, ÖN	1					
25	H909065017	KAPLAMA	1					
26	H909065018	BAĞLANTI PARÇALARI	1					
27	H909065019	OTURAK SACI	1					
28	H909065020	ARKALIK AYAR SAC KİTİ	1					
29	H909065021	OTURAK SACI	1					
30	H909065022	YAPRAK YAY	1					
31	H909065023	KİLİTLEME KOLU	1					
32	H909065024	KAPLAMA	1					
33	H909065025	ELCİK	1					
34	H909065026	ELCİK	1					
35	H909065027	ARKALIK	1					
36	H909065028	KILAVUZ KOMPLESİ, KOLTUK BAŞLIĞI	1					
37	H909065029	BEL DESTEĞİ KOMPLESİ	1					
38	H909065030	AYAR LEVYE KOMPLESİ	1					
39	H909065031	KOLÇAK, SAĞ	1					
40	H909065032	KOLÇAK, SOL	1					
41	H909065033	İKİNCİL KIZAK KİTİ	1					
42	H909065034	EMNİYET KEMERİ	1					
43	H909065035	PERÇİN	1					
44	H909065036	FİLE	1					
45	H909065037	FİLE KOMPLESİ	1					

PLATFORM MONTAJI  
PLATFORM ASS'Y

**PLATFORM MONTAJI**  
**PLATFORM ASS'Y**

No	Parça No	Parça Adı		Adet	S.K.	Bas.S.N	Bit.S.N	Y.K.	Not
No	Part no		Description	Qty	SC	S/N from	S/N to	ICA	Note
2	H533707000	KULE KİLİT KAPAMA	SWING LOCK	1					
3	H236130501	TABAN SACI K.M.	FLOOR PLATE W.A.	1					
4	H236132400	KAPAK SACI	COVER PLATE	2					
5	H236132000	PASPAS	FLOOR MAT	1					
5-1	H236132500	PASPAS	FLOOR MAT	1					
5-2	H236132700	PASPAS DESTEK, SAĞ	FLOOR MAT, RIGHT	1					
5-3	H236132900	PASPAS DESTEK, SOL	FLOOR MAT, LEFT	1					
6	H906123500	AYAK DAYAMA PEDALI K.M.	FOOT REST W.A.	1					
7	N010232402	CIVATA	BOLT	4					M10x15
8	N010232498	CIVATA	BOLT	2					M10x35
9	N015890458	CIVATA	BOLT	2					M8x20
10	N015890816	CIVATA	BOLT	4					M10x25
11	N030810015	PUL	WASHER	6					
12	N031360009	YAYLI RONDELA	SPRING WASHER	2					
13	N031360010	YAYLI RONDELA	SPRING WASHER	4					
14	H236132600	SÜNGER	SPONGE	1					

**KABİN ÜST KORUMA MONTAJI, FOPS II (OP)**  
**ROOF GUARD MOUNTING, FOPS II (OP)**

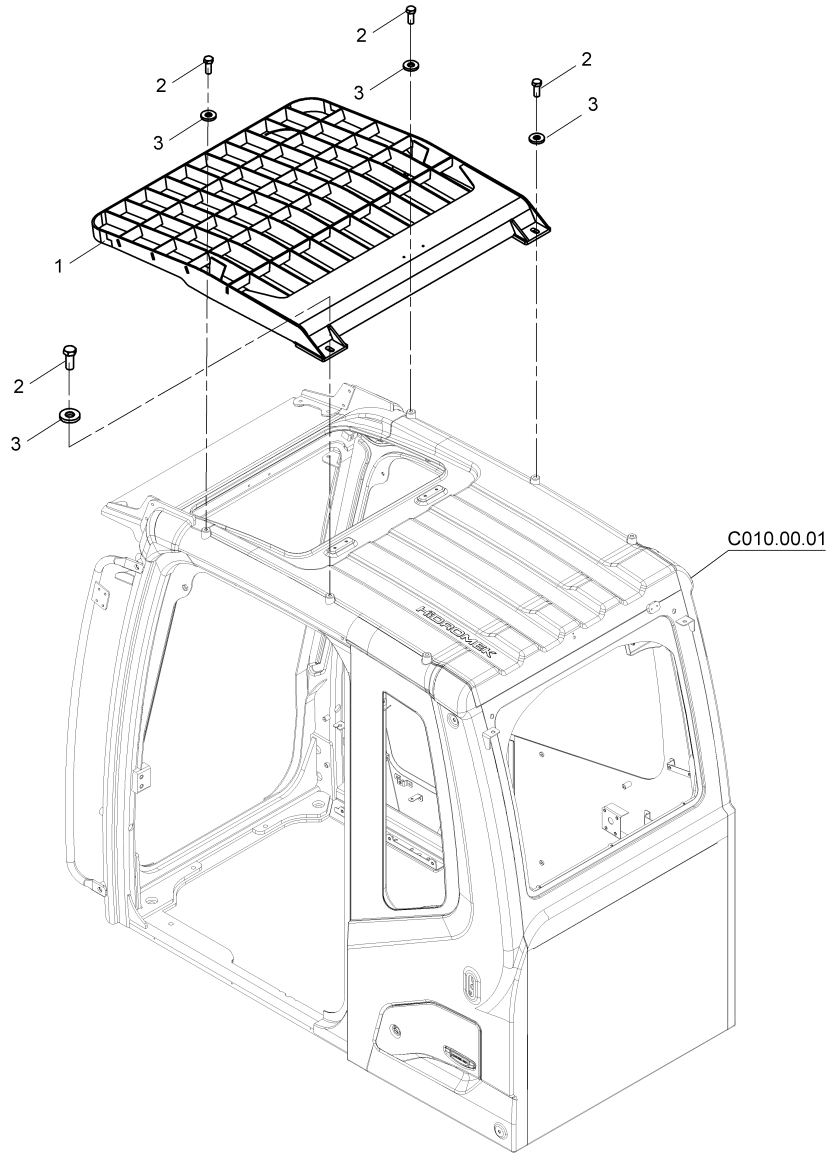




**KABİN ÜST KORUMA MONTAJI, FOPS II (OP)**  
**ROOF GUARD MOUNTING, FOPS II (OP)**

No	Parça No	Parça Adı		Adet	S.K.	Bas.S.N	Bit.S.N	Y.K.	Not
No	Part no		Description	Qty	SC	S/N from	S/N to	ICA	Note
0	H900501000	KABİN KORUMA KOMPLESİ, ÜST	CAB GUARD ASS'Y, ROOF	1					
1	H900501100	KABİN KORUMA K.M., ÜST	CAB GUARD W.A., UPPER	1					
2	H900512500	ETİKET	DECAL	1					
3	N010232930	CIVATA	BOLT	6					M12x65
4	N030100023	PUL	WASHER	6					M12
5	N031310012	YAYLI RONDELA	SPRING WASHER	6					M12
6	N049601622	VİDA	SCREW	2					M4x10

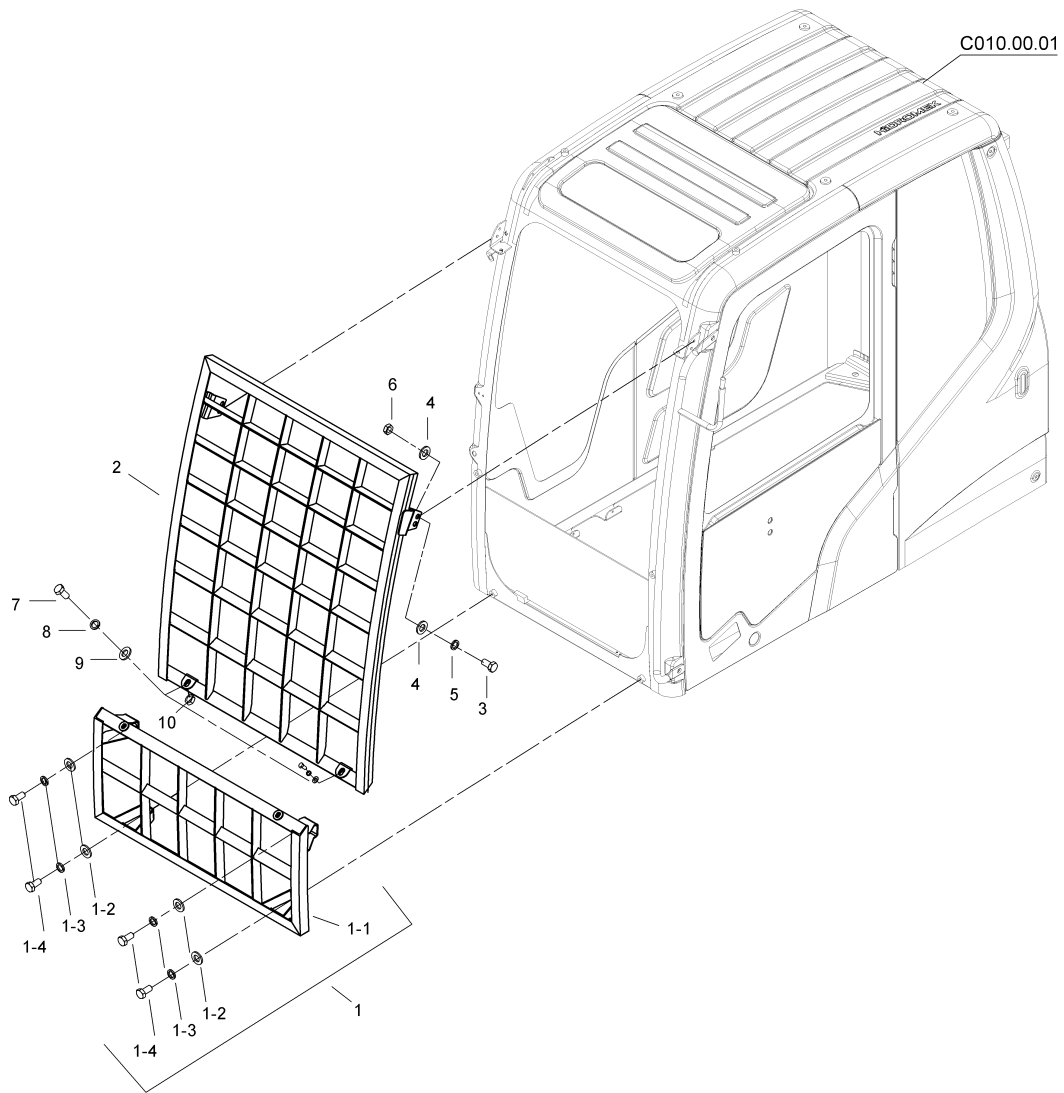
**KABİN ÜST KORUMA MONTAJI, FOPS II (OP)**  
**ROOF GUARD MOUNTING, FOPS II (OP)**



**KABİN ÜST KORUMA MONTAJI, FOPS II (OP)**  
**ROOF GUARD MOUNTING, FOPS II (OP)**

No	Parça No	Parça Adı		Adet	S.K.	Bas.S.N	Bit.S.N	Y.K.	Not
No	Part no		Description	Qty	SC	S/N from	S/N to	ICA	Note
0	H900535000	KABİN KORUMA KOMPLESİ, ÜST	CAB GUARD ASS'Y, ROOF	1					
1	H900535100	KABİN KORUMA K.M., ÜST	CAB GUARD W.A.,UPPER	1					
2	N010232846	CIVATA	BOLT	4					
3	N030560004	PUL	WASHER	4					

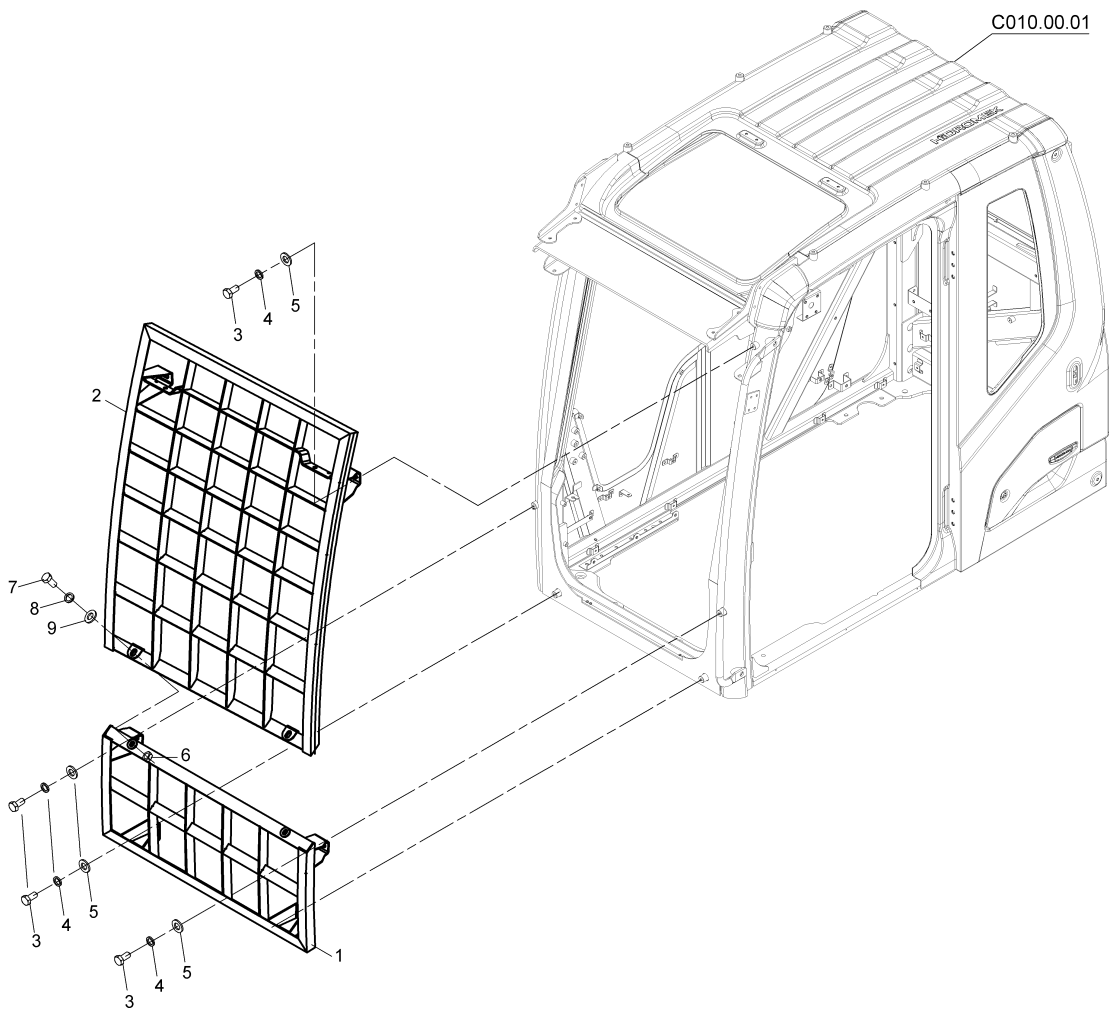
### KABİN KORUMA MONTAJI, FOGS (OP) GUARD MOUNTING, FOGS (OP)



**KABİN KORUMA MONTAJI, FOGS (OP)**  
**GUARD MOUNTING, FOGS (OP)**

No	Parça No	Parça Adı	Description	Adet	S.K.	Bas.S.N	Bit.S.N	Y.K.	Not
No	Part no			Qty	SC	S/N from	S/N to	ICA	Note
0	H900503300	KABİN KORUMA KOMPLESİ, ÖN VE ALT-ÜST	CAB GUARD ASS'Y, FRONT&UPPER-LOWER	1					
1	H900503400	KABİN KORUMA KOMPLESİ, ÖN-ALT	CAB GUARD ASS'Y, FRONT-LOWER	1					
1-1	H900503500	KABİN KORUMA K.M., ÖN-ALT	CAB GUARD W.A., FRONT-LOWER	1					
1-2	N030100023	PUL	WASHER	4					
1-3	N031310012	YAYLI RONDELA	SPRING WASHER	4					
1-4	N010232798	CIVATA	BOLT	4					M12x20
2	H900504500	KABİN KORUMA K.M., ÖN-ÜST	CAB GUARD W.A., FRONT-UPPER	1					
3	N010232498	CIVATA	BOLT	4					M10x35
4	N031310012	YAYLI RONDELA	SPRING WASHER	6					
5	N030100021	PUL	WASHER	8					
5	N031310011	YAYLI RONDELA	SPRING WASHER	4					
6	N023580206	SOMUN	NUT	4					
7	N010232882	CIVATA	BOLT	2					M12x45
8	N031310012	YAYLI RONDELA	SPRING WASHER	2					
9	N030100023	PUL	WASHER	4					
10	N023570242	SOMUN	NUT	2					M12

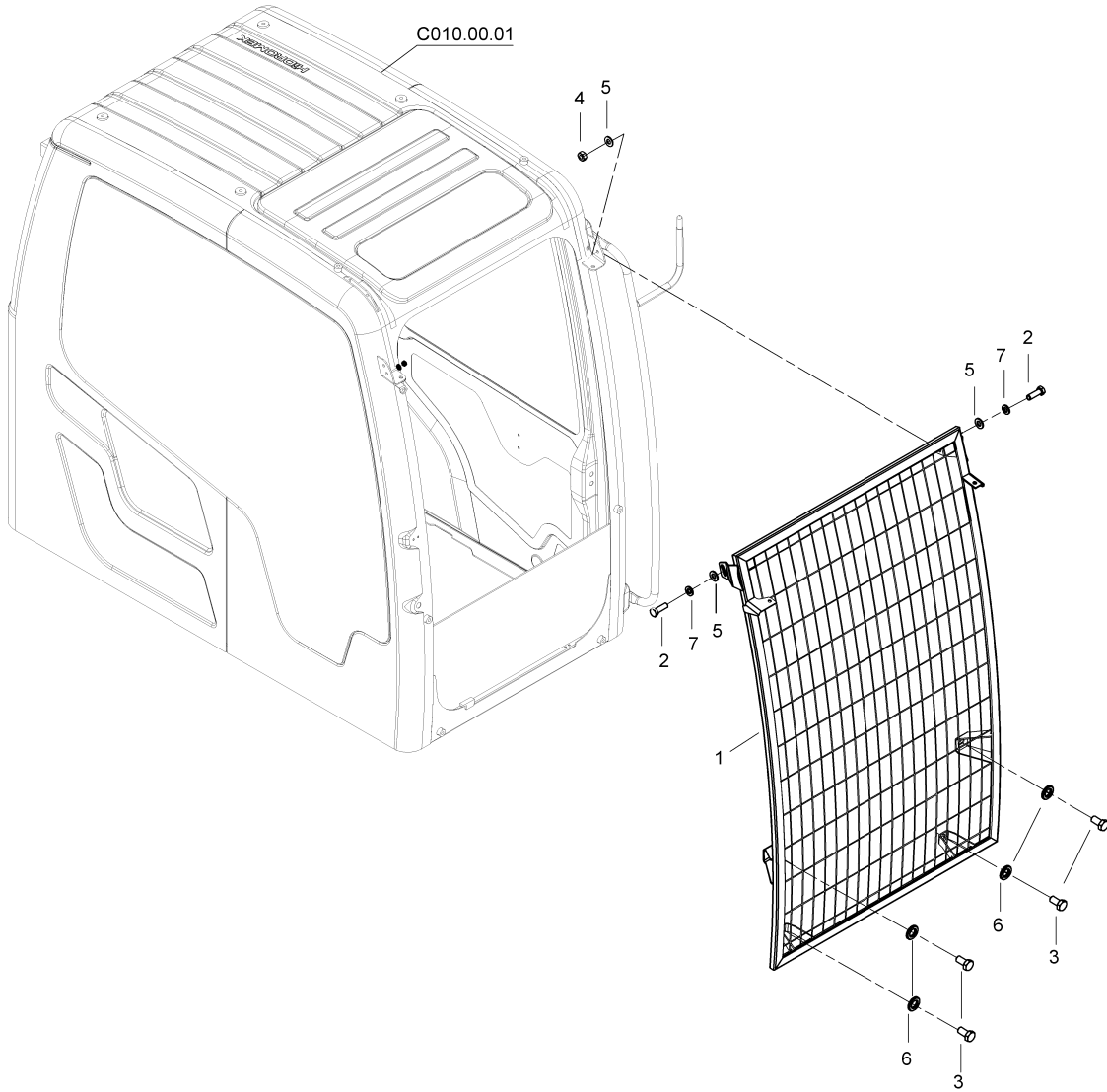
**KABİN KORUMA MONTAJI, FOGS (OP)**  
**GUARD MOUNTING, FOGS (OP)**



**KABİN KORUMA MONTAJI, FOGS (OP)**  
**GUARD MOUNTING, FOGS (OP)**

No	Parça No	Parça Adı	Description	Adet	S.K.	Bas.S.N	Bit.S.N	Y.K.	Not
No	Part no			Qty	SC	S/N from	S/N to	ICA	Note
0	H900532000	KABİN KORUMA KOMPLESİ, ÖN VE ALT-ÜST	CAB GUARD ASS'Y, FRONT&UPPER-LOWER	1					
1	H900532500	KABİN KORUMA K.M, ÖN-ALT	CAB GUARD W.A, FRONT-LOWER	1					
2	H900533000	KABİN KORUMA K.M., ÖN-ÜST	CAB GUARD W.A., FRONT-UPPER	1					
3	N010232798	CIVATA	BOLT	6					M12x20
4	N031310012	YAYLI RONDELA	SPRING WASHER	6					
5	N030100023	PUL	WASHER	6					
6	N023580206	SOMUN	NUT	4					
7	N010232882	CIVATA	BOLT	2					M12x45
8	N031310012	YAYLI RONDELA	SPRING WASHER	2					
9	N030100023	PUL	WASHER	4					

**ÖN CAM KORUYUCU MONTAJI ,TAŞ VE MICİR İÇİN (OP)  
FRONT GUARD MOUNTING, FOR STONES & DEBRIS (OP)**

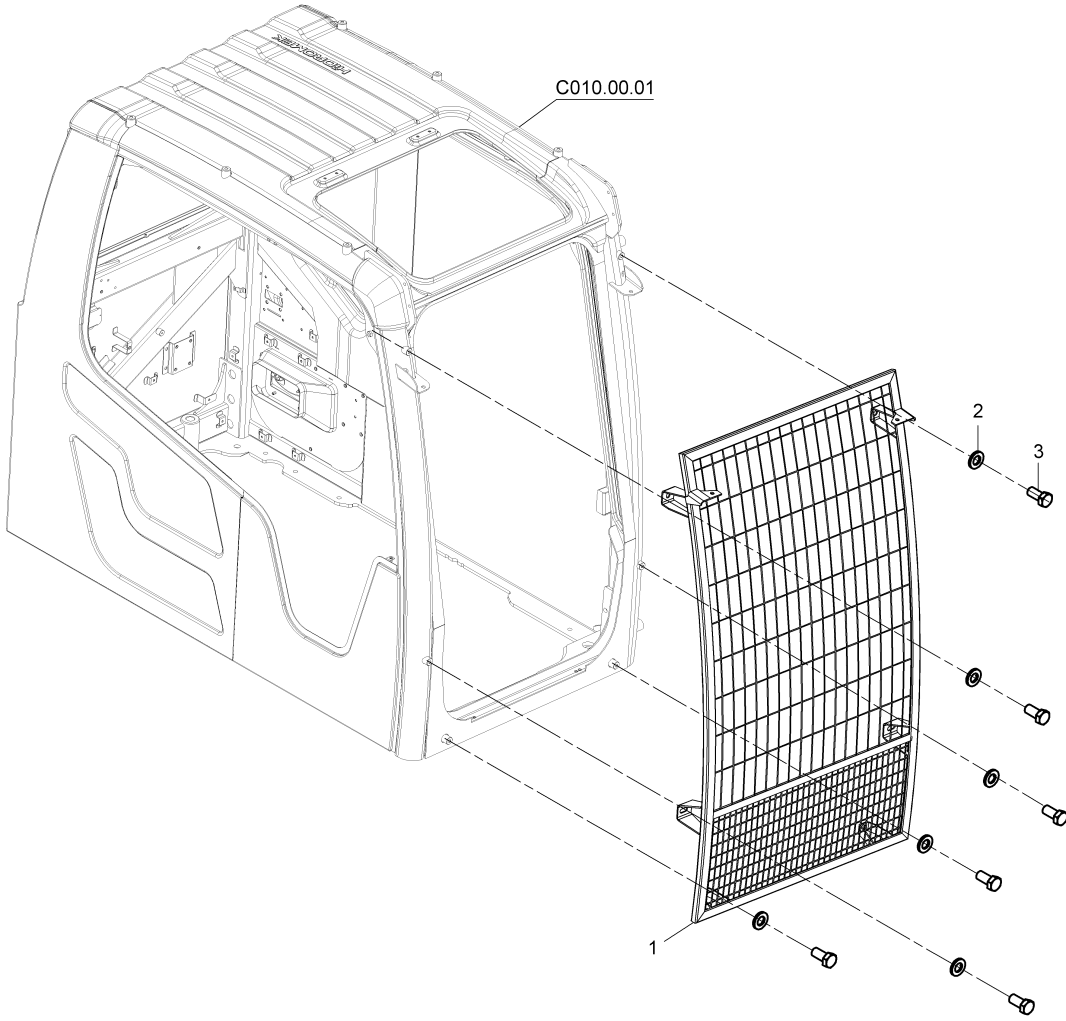




**ÖN CAM KORUYUCU MONTAJI ,TAŞ VE MICİR İÇİN (OP)  
FRONT GUARD MOUNTING, FOR STONES & DEBRIS (OP)**

No	Parça No	Parça Adı	Adet	S.K.	Bas.S.N	Bit.S.N	Y.K.	Not
No	Part no	Description	Qty	SC	S/N from	S/N to	ICA	Note
0	H900508000	KORUYUCU KAFES KOMPLESİ, ÖN CAM	1					
1	H900508100	KORUYUCU KAFES K.M.	1					
2	N010232138	CIVATA	2					M8x25
3	N010232798	CIVATA	4					M12x20
4	N023570182	SOMUN	2					M8
5	N030100017	PUL	4					
6	N030810001	PUL	4					
7	N031310010	YAYLI RONDELA	2					

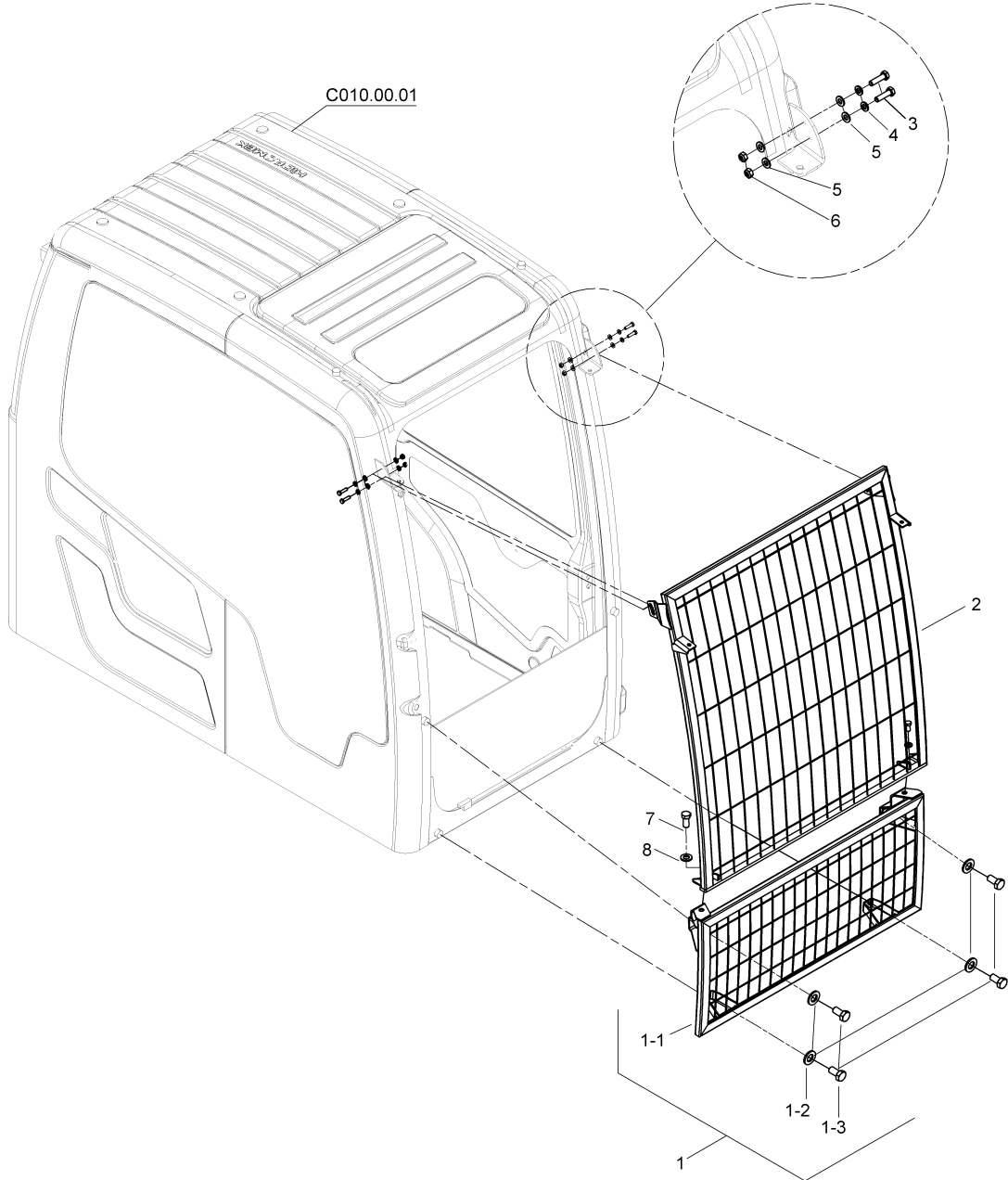
ÖN CAM KORUYUCU MONTAJI ,TAŞ VE MICİR İÇİN (OP)  
FRONT GUARD MOUNTING, FOR STONES & DEBRIS (OP)



**ÖN CAM KORUYUCU MONTAJI ,TAŞ VE MICİR İÇİN (OP)  
FRONT GUARD MOUNTING, FOR STONES & DEBRIS (OP)**

No	Parça No	Parça Adı	Adet	S.K.	Bas.S.N	Bit.S.N	Y.K.	Not
No	Part no	Description	Qty	SC	S/N from	S/N to	ICA	Note
0	H900527000	KORUYUCU KAFES KOMPLESİ, ÖN CAM	1					
1	H900527500	KORUYUCU KAFES K.M.	1					
2	N030810001	PUL	6					
3	N010232822	CIVATA	6					M12x25

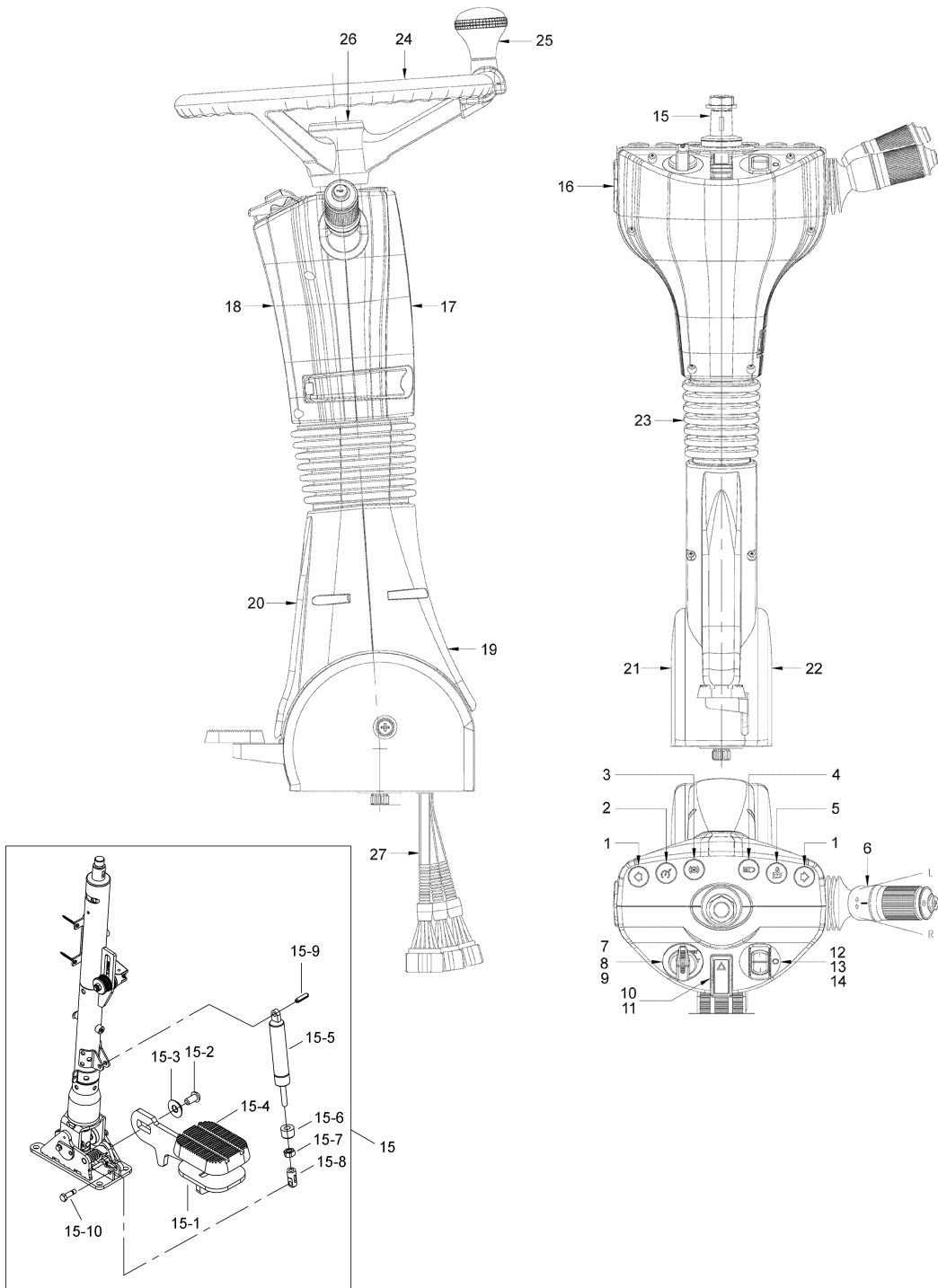
ÖN CAM KORUYUCU MONTAJI, İKİ PARÇALI (OP)  
FRONT GUARD MOUNTING, TWO PIECES (OP)



**ÖN CAM KORUYUCU MONTAJI, İKİ PARÇALI (OP)**  
**FRONT GUARD MOUNTING, TWO PIECES (OP)**

No	Parça No	Parça Adı	Description	Adet	S.K.	Bas.S.N	Bit.S.N	Y.K.	Not
No	Part no			Qty	SC	S/N from	S/N to	ICA	Note
0	H900510000	KABİN KORUMA KOMPLESİ, ÖN, ALT-ÜST	CAB GUARD ASS'Y, FRONT, UPPER-LOWER	1					
1	H900512000	KABİN KORUMA KOMPLESİ, ÖN-ALT	CAB GUARD ASS'Y, FRONT-LOWER	1					
1-1	H900512100	KABİN KORUMA K.M., ÖN-ALT	CAB GUARD W.A., FRONT-LOWER	1					
1-2	N030100023	PUL	WASHER	4					
1-3	N010232798	CIVATA	BOLT	4					M12x20
2	H900511000	KABİN KORUMA K.M., ÖN-ÜST	CAB GUARD W.A., FRONT-UPPER	1					
3	N010232162	CIVATA	BOLT	4					M8x30
4	N031310010	YAYLI RONDELA	SPRING WASHER	4					
5	N030100017	PUL	WASHER	8					
6	N025900062	SOMUN	NUT	4					M8
7	N010232822	CIVATA	BOLT	2					M12x25
8	N030100023	PUL	WASHER	6					

**DİREKSİYON KOLONU**  
**STEERING COLUMN**



## DİREKSİYON KOLONU STEERING COLUMN

No	Parça No	Parça Adı		Adet	S.K.	Bas.S.N	Bit.S.N	Y.K.	Not
No	Part no	Description		Qty	SC	S/N from	S/N to	ICA	Note
0	H236106103	DİREKSİYON KOLONU KOMPLESİ	STEERING COLUMN ASS'Y	1					
1	H239089322	LAMBA, SİNYAL İKAZ	LAMP, DIRECTION SIGNAL	2					
2	H239089323	LAMBA, HIZ SABİTLEYİCİ İKAZ	LAMP, CRUISE CONTROL	1					
3	H239089324	LAMBA, FREN İKAZI	LAMP, BRAKE WARNING	1					
4	H239089325	LAMBA, UZUN FAR İKAZI	HIGH BEAMS WL	1					
5	H239089326	LAMBA, OSİLASYON SİLİNDİR KİLİDİ İKAZ	RAM LOCK WL	1					
6	H239089350	ANAHTAR	STEERING COLUMN SWITCH	1					
7	H239089332	ANAHTAR	SWITCH, WORK & TRAVEL	21					
8	H239089333	ETİKET	LABEL	1					
9	H239089340	DÜĞME, YÜRÜ/ ATACM	ROTARY SWITCH KNOB	1					
10	H239089351	ANAHTAR	ROCKER SWITCH	1					
11	H239089352	KONTAK ANAHTARI	KEY SWITCH	1					
12	H239089353	ANAHTAR	ROCKER SWITCH	1					
13	H239089354	KONTAK ANAHTARI	KEY SWITCH	1					
14	H239089355	ETİKET, HIZ	SPEED LABEL	1					
15	H239089300	DİREKSİYON MEKANİZMASI	MECHANISM, STEERING	1					
15-1	H239089301	PEDAL	PEDAL	1					
15-2	H239089302	VİDA	SCREW	1					
15-3	H239089303	PUL	WASHER	1					
15-4	H239089304	PEDAL LASTİĞİ	PEDAL COVER	1					
15-5	H239089305	AMORTİSÖR	DAMPER	1					
15-6	H239089306	BURÇ	BUSHING	1					
15-7	H239089307	SOMUN	NUT	1					
15-8	H239089308	YAY	HEAD SPRING	1					
15-9	H239089309	PİM	PIN, SPRING TYPE	1					
15-10	H239089310	CIVATA	BOLT	1					
16	H239089356	KAPAK	CAP	1					
17	H239089321	KAPLAMA, ÖN-ÜST	COVER, FRONT-UPPER	1					
18	H239089331A	KAPAK, ARKA-ÜST	REAR UPPER COVER	1					
19	H239089318	KAPLAMA, ÖN-ALT	COVER, FRONT-LOWER	1					
20	H239089312	KAPLAMA, ALT	COVER, LOWER	1					
21	H239089317	KAPLAMA, SOL KORUMA	LEFT PROTECT COVER	1					
22	H239089311	KAPLAMA, SAĞ KORUMA	COVER, RIGHT PROTECT	1					
23	H239089313	KÖRÜK	BELLOWS	1					
24	H239089314	DİREKSİYON SİMİDİ KOMPLESİ	STEERING WHEEL ASS'Y	1					
25	H239089337	DİREKSİYON TOPUZU	KNOB, STEER WHEEL	1					
26	H239089338A	KAPAK	CAP	1					
27	H239089339A	ELEKTRİK TESİSATI	HARNESS	1					

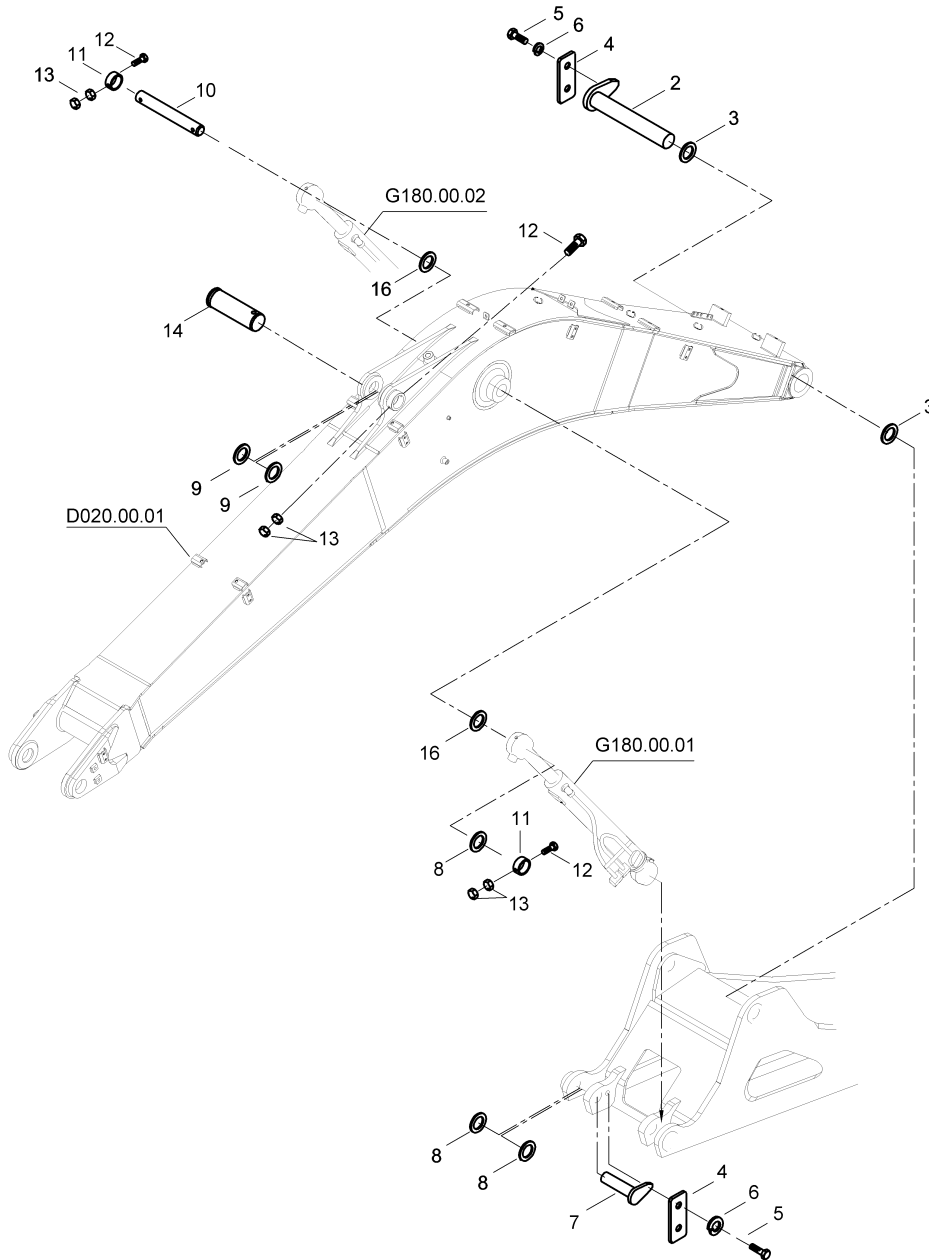
## D - ATAŞMAN

### D - ATTACHMENT

Sayfa No / Page No	Sayfa Adı	Page Name	Revizyon / Revision
D010.00.01	BOM MONTAJI	BOOM MOUNTING	
D010.01.01	BOM MONTAJI, 2 PARÇALI (OP)	BOOM MOUNTING, 2 PIECES (OP)	
D020.00.01	BOM KOMPLESİ (4.6m)	BOOM ASS'Y (4.6m)	
D020.01.01	BOM KOMPLESİ, 2 PARÇALI (5.08m)	BOOM ASS'Y, 2 PIECES (5.08m)	
D030.00.01	ARM MONTAJI	ARM MOUNTING	
D040.00.01	ARM KOMPLESİ (2.3m)	ARM ASS'Y (2.3m)	
D040.01.01	ARM KOMPLESİ (2.9m)	ARM ASS'Y (2.9m)	
D040.02.01	ARM KOMPLESİ (2.6m)	ARM ASS'Y (2.6m)	
D050.00.01	KEPÇE BAĞLANTISI	BUCKET LINKAGE	
D060.00.01	KEPÇE, DUAL RADÜS (0.60m³)	BUCKET, DUAL RADIUS (0.60m³)	
D060.01.01	KEPÇE, DUAL RADÜS (0.75m³)	BUCKET, DUAL RADIUS (0.75m³)	
D060.02.01	KEPÇE, DUAL RADÜS (0.52m³)	BUCKET, DUAL RADIUS (0.52m³)	
D060.03.01	KEPÇE, DUAL RADÜS (0.45m³)	BUCKET, DUAL RADIUS (0.45m³)	
D060.04.01	KEPÇE, DUAL RADÜS (0.35m³)	BUCKET, DUAL RADIUS (0.35m³)	
D060.05.01	KEPÇE, TEMİZLİK (0.6m³)	BUCKET, DITCH CLEANING (0.6m³)	
D070.00.01	ÇABUK SÖK-TAK KOMPLESİ (OP)	QUICK COUPLER ASS'Y (OP)	
D080.00.01	KIRICI MONTAJI (B140, OP)	BREAKER MOUNTING (B140, OP)	
D080.00.02	KIRICI KOMPLESİ (B140, OP)	BREAKER ASS'Y (B140, OP)	



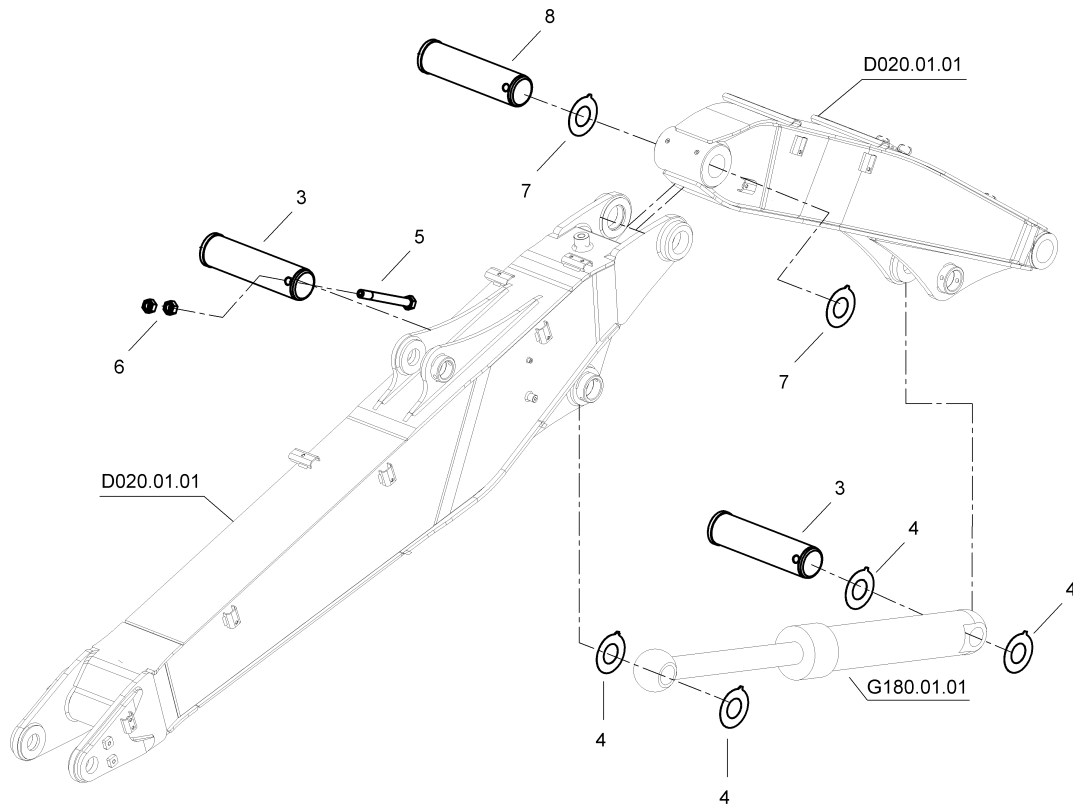
### BOM MONTAJI BOOM MOUNTING



**BOM MONTAJI  
BOOM MOUNTING**

No	Parça No	Parça Adı		Adet	S.K.	Bas.S.N	Bit.S.N	Y.K.	Not
No	Part no		Description	Qty	SC	S/N from	S/N to	ICA	Note
2	H205000100	PİM K.M.	PIN W.A.	1					
3	H205002000	ŞİM	SHIM	2					
4	H205003000	SABİTLEME LAMASI	LOCK PLATE	1					
5	N010233530	CIVATA	BOLT	2					M16x25
6	N031310014	YAYLI RONDELA	SPRING WASHER	4					M16
7	H205000400	PİM K.M.	PIN W.A.	2					
8	H345001601	ŞİM	SHIM	2					
9	H205002200	ŞİM	SHIM	2					
10	H205000701	PİM	PIN	1					
11	H234006200	BİLEZİK	STOPPER, PIN	2					
12	N010381406	CIVATA	BOLT	3					M16x140
13	N023570314	SOMUN	NUT	6					M16
14	H205000800	PİM	PIN	1					
16	H205002100	ŞİM	SHIM	2					

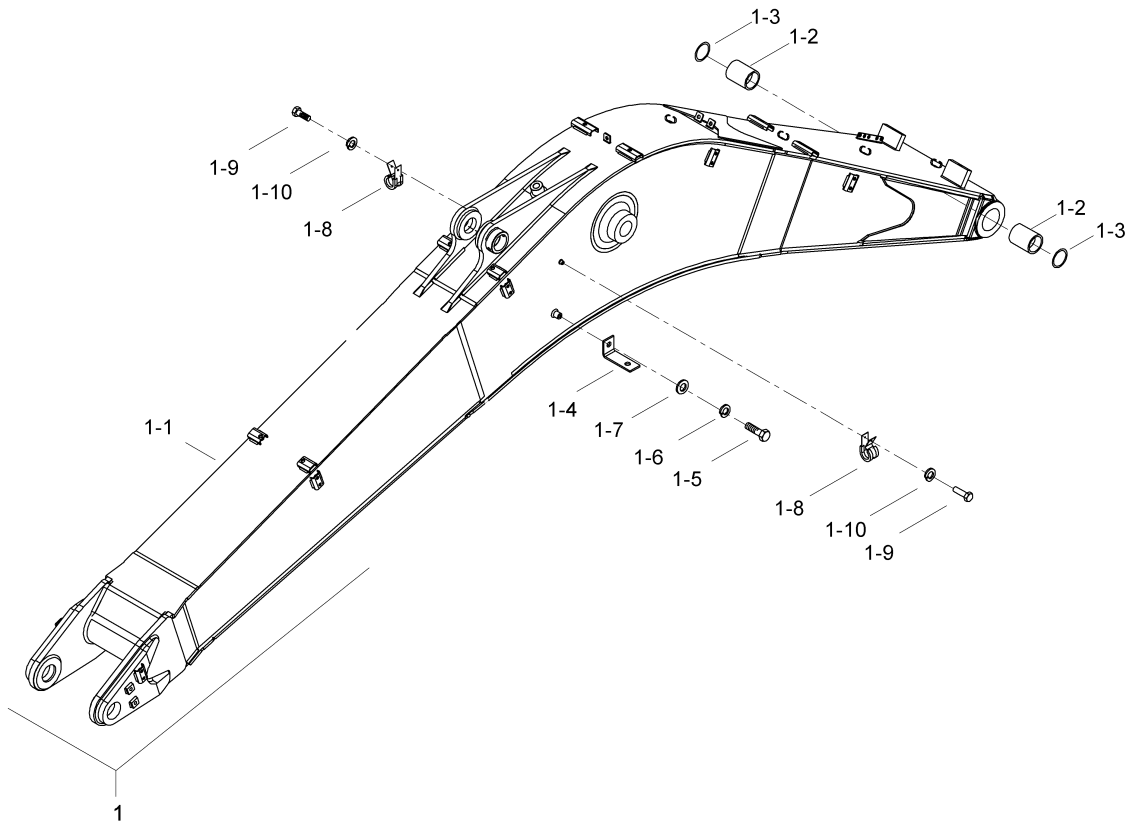
**BOM MONTAJI, 2 PARÇALI (OP)**  
**BOOM MOUNTING, 2 PIECES (OP)**



**BOM MONTAJI, 2 PARÇALI (OP)**  
**BOOM MOUNTING, 2 PIECES (OP)**

No	Parça No	Parça Adı		Adet	S.K.	Bas.S.N	Bit.S.N	Y.K.	Not
No	Part no		Description	Qty	SC	S/N from	S/N to	ICA	Note
3	H205906000	PİM	PIN	2					
4	N082081161	POLİMER ŞİM	POLYMER SHIM	4					
5	N010381418	CIVATA	BOLT	2					M16x150
6	N023570314	SOMUN	NUT	4					M16
7	N082081171	POLİMER ŞİM	POLYMER SHIM	2					
8	H205906100	PİM	PIN	1					

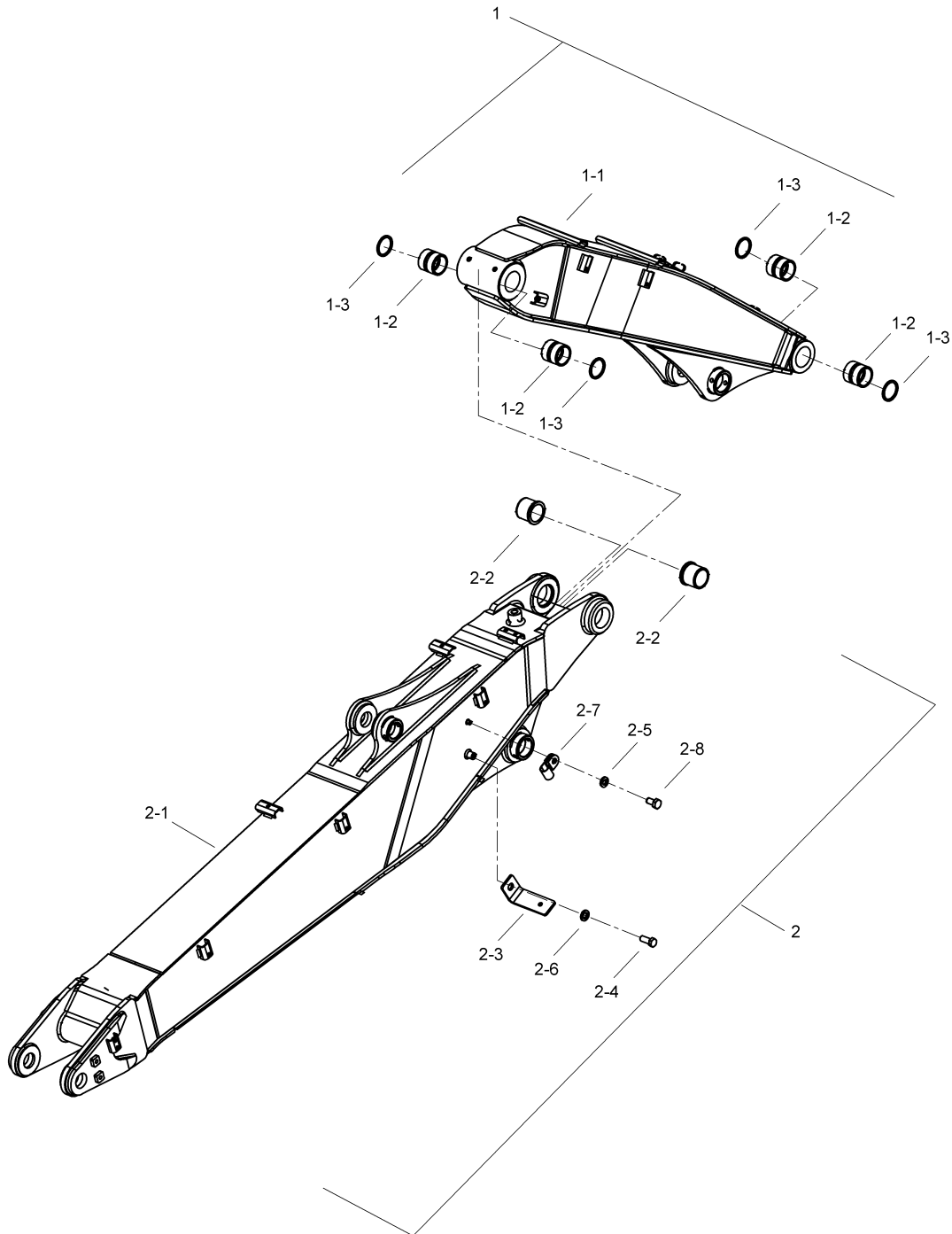
**BOM KOMPLESİ (4.6m)**  
**BOOM ASS'Y (4.6m)**



**BOM KOMPLESİ (4.6m)**  
**BOOM ASS'Y (4.6m)**

No	Parça No	Parça Adı		Adet	S.K.	Bas.S.N	Bit.S.N	Y.K.	Not
No	Part no		Description	Qty	SC	S/N from	S/N to	ICA	Note
1	H205100002	BOM KOMPLESİ	BOOM ASS'Y	1					
1-1	H205100102	BOM K.M.	BOOM W.A.	1					
1-2	H205105000	SERT BURÇ	BUSHING	2					
1-3	N105809505	TOZ KEÇESİ	SEAL DUST	2					
1-4	H345104701	BRAKET	BRACKET	2					
1-5	N010232846	CIVATA	BOLT	2					M12x30
1-6	N031310012	YAYLI RONDELA	SPRING WASHER	2					M12
1-7	N030100023	PUL	WASHER	2					M12
1-8	N077010908	KELEPÇE	CLAMP	2					
1-9	N010222078	CIVATA	BOLT	2					M8x15
1-10	N031310010	YAYLI RONDELA	SPRING WASHER	2					M8

**BOM KOMPLESİ, 2 PARÇALI (5.08m)**  
**BOOM ASS'Y, 2 PIECES (5.08m)**

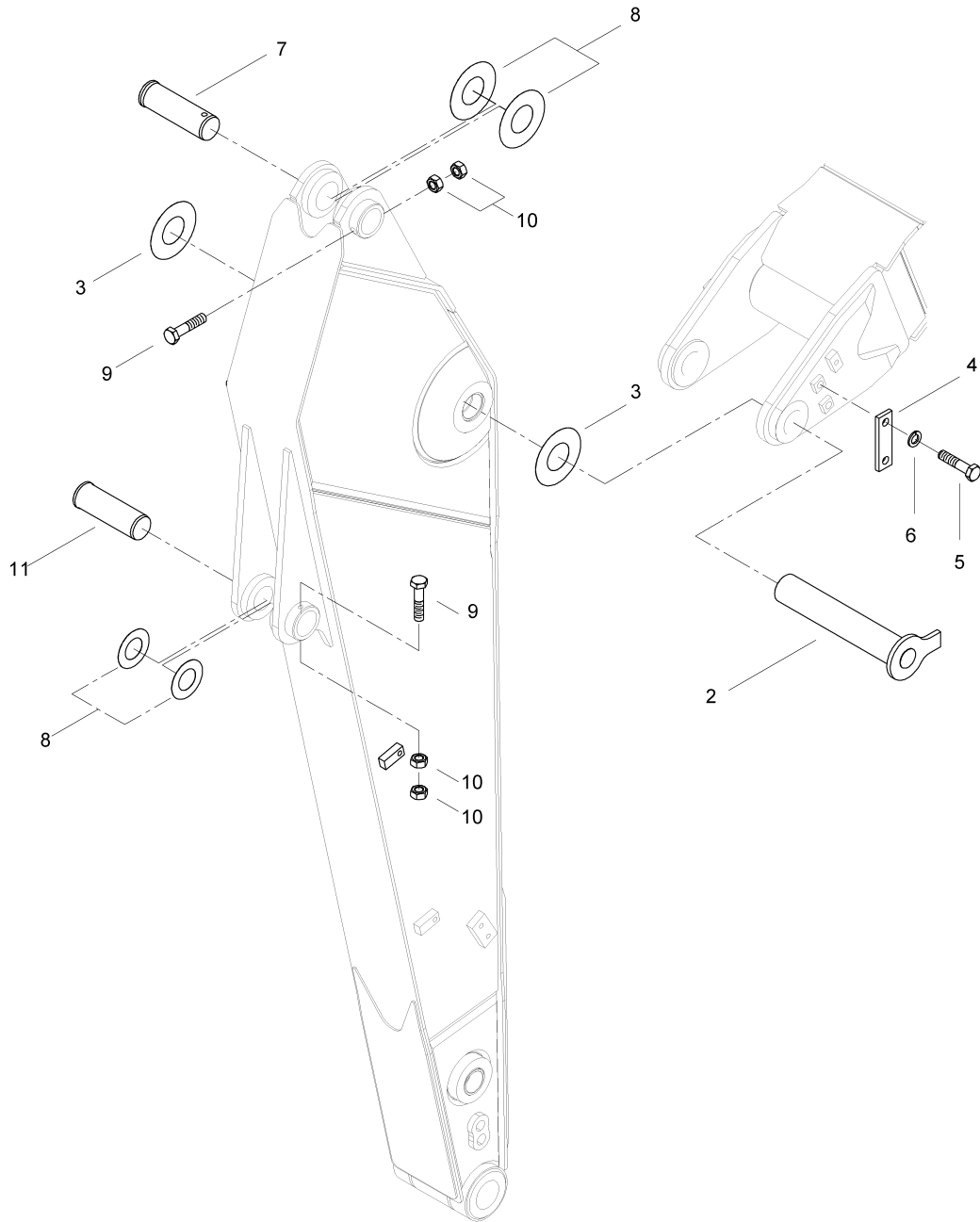


**BOM KOMPLESİ, 2 PARÇALI (5.08m)**  
**BOOM ASS'Y, 2 PIECES (5.08m)**

No	Parça No	Parça Adı		Adet	S.K.	Bas.S.N	Bit.S.N	Y.K.	Not
No	Part no	Description		Qty	SC	S/N from	S/N to	ICA	Note
1	H205900100	BOM 1 KOMPLESİ	BOOM 1 ASS'Y	1					
1-1	H205900200	BOM 1 K.M.	BOM 1 W.A.	1					
1-2	H205105000	SERT BURÇ	BUSHING	4					
1-3	N105809505	TOZ KEÇESİ	SEAL DUST	4					
2	H205903000	BOM 2 KOMPLESİ	BOOM 2 ASS'Y	1					
2-1	H205903100	BOM 2 K.M.	BOM 2 W.A.	1					
2-2	H205907000	SERT BURÇ	BUSHING	2					
2-3	H345104701	BRAKET	BRACKET	2					
2-4	N010232846	CIVATA	BOLT	2					M12x30
2-5	N031310010	YAYLI RONDELA	SPRING WASHER	2					
2-6	N030810001	PUL	WASHER	2					M12
2-7	N077010908	KELEPÇE	CLAMP	2					Ø12
2-8	N010222078	CIVATA	BOLT	2					M8x16
2-9	H207030300	ETİKET, LOGO, ZEMİN	DECAL	1					
2-10	H207030400	ETİKET	DECAL	1					
2-11	H207030200	ETİKET, LOGO, BOM	DECAL	1					



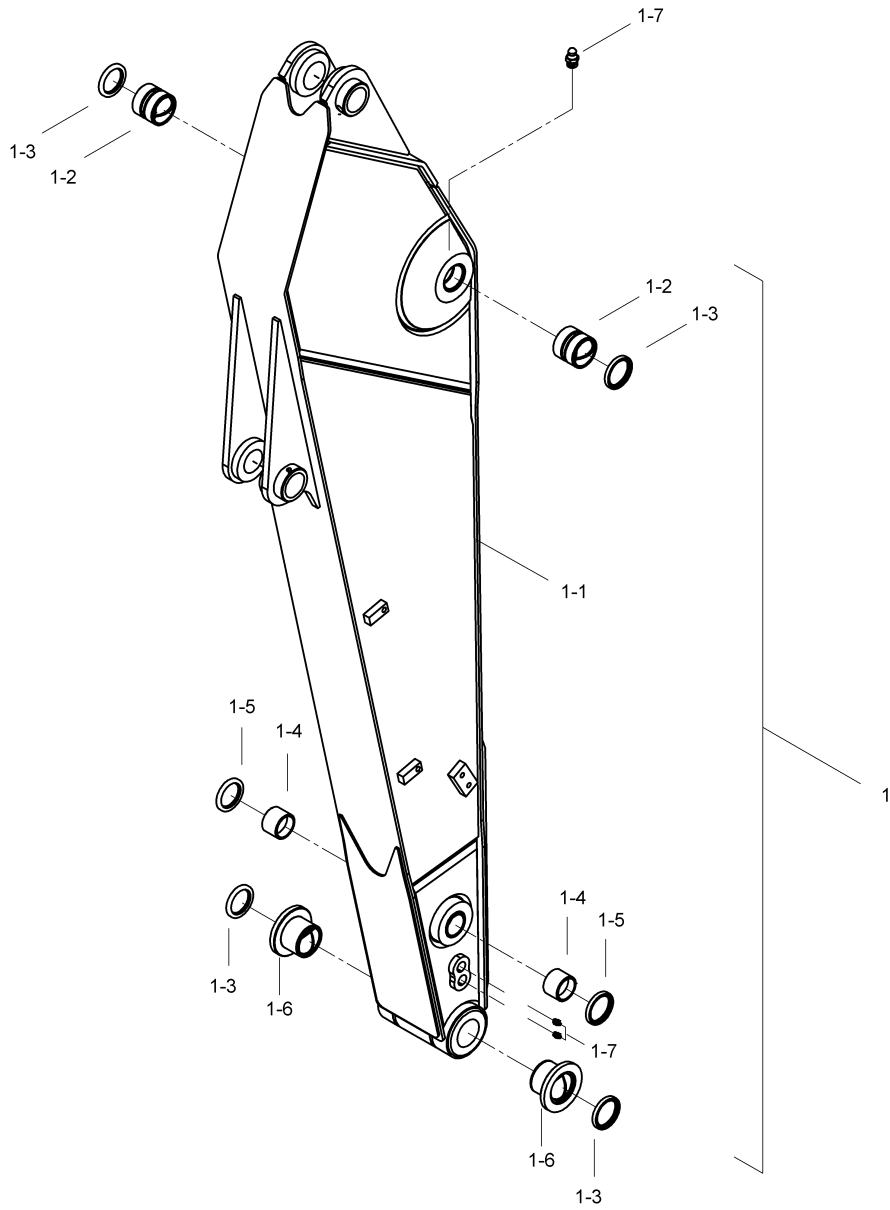
# ARM MONTAJI ARM MOUNTING



**ARM MONTAJI**  
**ARM MOUNTING**

No	Parça No	Parça Adı	Adet	S.K.	Bas.S.N	Bit.S.N	Y.K.	Not
No	Part no	Description	Qty	SC	S/N from	S/N to	ICA	Note
2	H205000901	PİM K.M.	PIN W.A.	1				
3	H205002200	ŞİM	SHIM	2				
4	H205003000	SABİTLEME LAMASI	LOCK PLATE	1				
5	N010233530	CIVATA	BOLT	2				M16x25
6	N031310014	YAYLI RONDELA	SPRING WASHER	2				M16
7	H205000800	PİM	PIN	1				
8	H205002200	ŞİM	SHIM	4				
9	N010381406	CIVATA	BOLT	2				M16x140
10	N023570314	SOMUN	NUT	8				M16
11	H205001200	PİM	PIN	1				

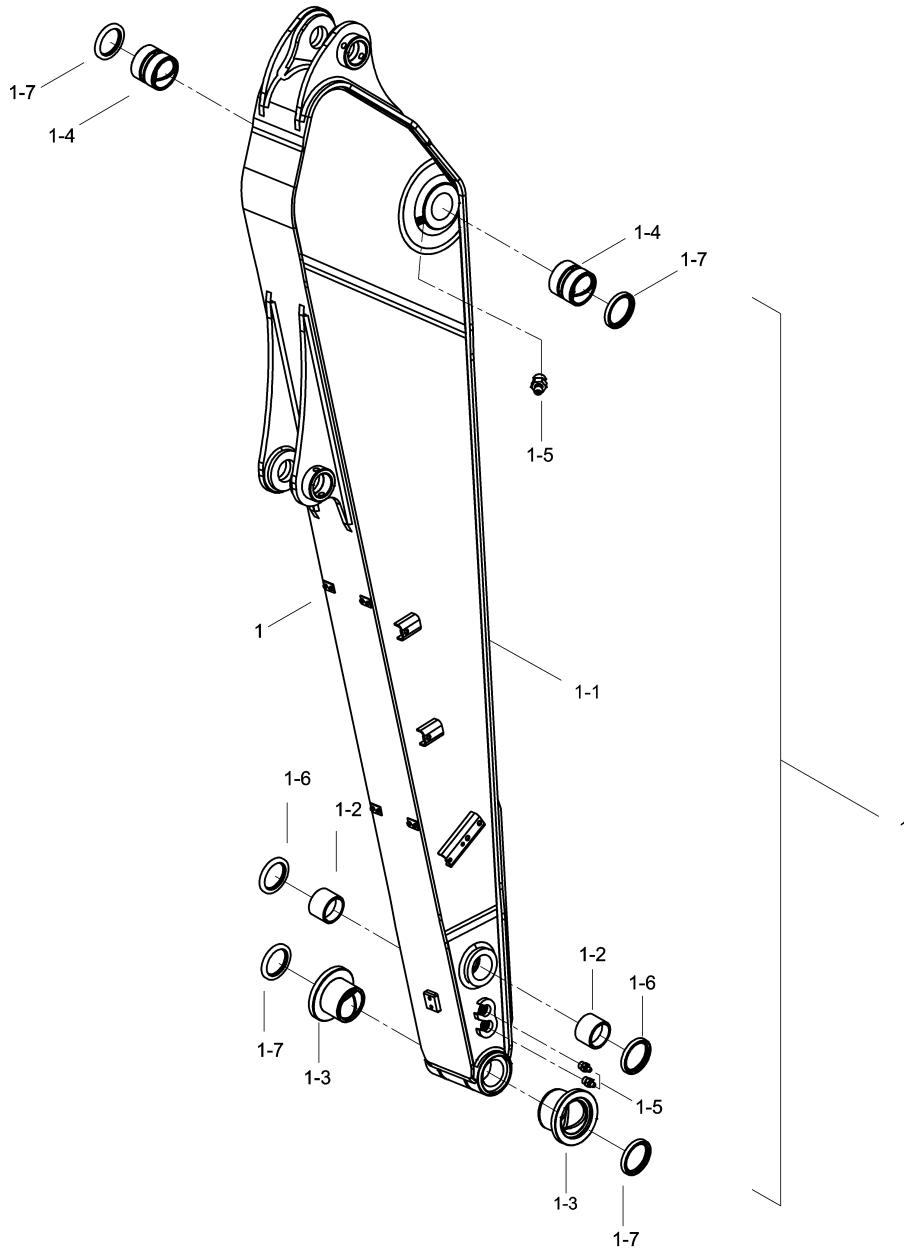
ARM KOMPLESİ (2.3m)  
ARM ASS'Y (2.3m)



**ARM KOMPLESİ (2.3m)**  
**ARM ASS'Y (2.3m)**

No	Parça No	Parça Adı		Adet	S.K.	Bas.S.N	Bit.S.N	Y.K.	Not
No	Part no		Description	Qty	SC	S/N from	S/N to	ICA	Note
1	H205200001	ARM KOMPLESİ	ARM ASS'Y	1					
1-1	H205200102	ARM K.M.	ARM W.A.	1					
1-2	H205203900	SERT BURÇ	BUSHING	2					
1-3	H205204000	SERT BURÇ	BUSHING	2					
1-4	H205205000	SERT BURÇ	BUSHING	2					
1-5	N081110000	GRESÖRLÜK	GREASE NIPPLE	4					
1-6	N105658005	TOZ KEÇESİ	SEAL DUST	2	K				
1-7	N105708505	TOZ KEÇESİ	SEAL DUST	4					

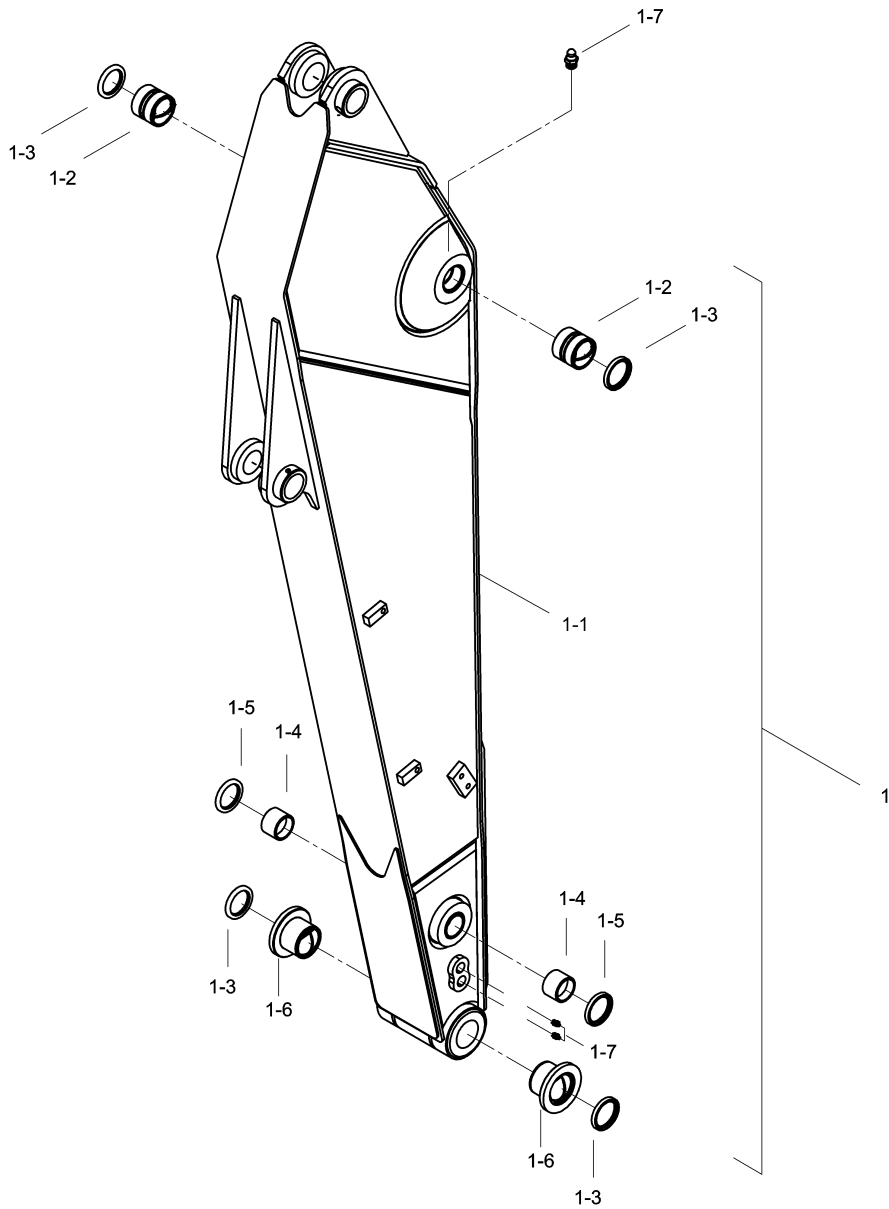
### ARM KOMPLESİ (2.9m) ARM ASS'Y (2.9m)



**ARM KOMPLESİ (2.9m)**  
**ARM ASS'Y (2.9m)**

No	Parça No	Parça Adı		Adet	S.K.	Bas.S.N	Bit.S.N	Y.K.	Not
No	Part no		Description	Qty	SC	S/N from	S/N to	ICA	Note
1	H305200000	ARM KOMPLESİ	ARM ASS'Y	1					
1-1	H305200100	ARM K.M.	ARM W.A.	1					
1-2	H205203900	SERT BURÇ	BUSHING	2					
1-3	H205204000	SERT BURÇ	BUSHING	2					
1-4	H205205000	SERT BURÇ	BUSHING	2					
1-5	N081110000	GRESÖRLÜK	GREASE NIPPLE	4					
1-6	N105658005	TOZ KEÇESİ	SEAL DUST	2	K				
1-7	N105708505	TOZ KEÇESİ	SEAL DUST	4					

**ARM KOMPLESİ (2.6m)**  
**ARM ASS'Y (2.6m)**

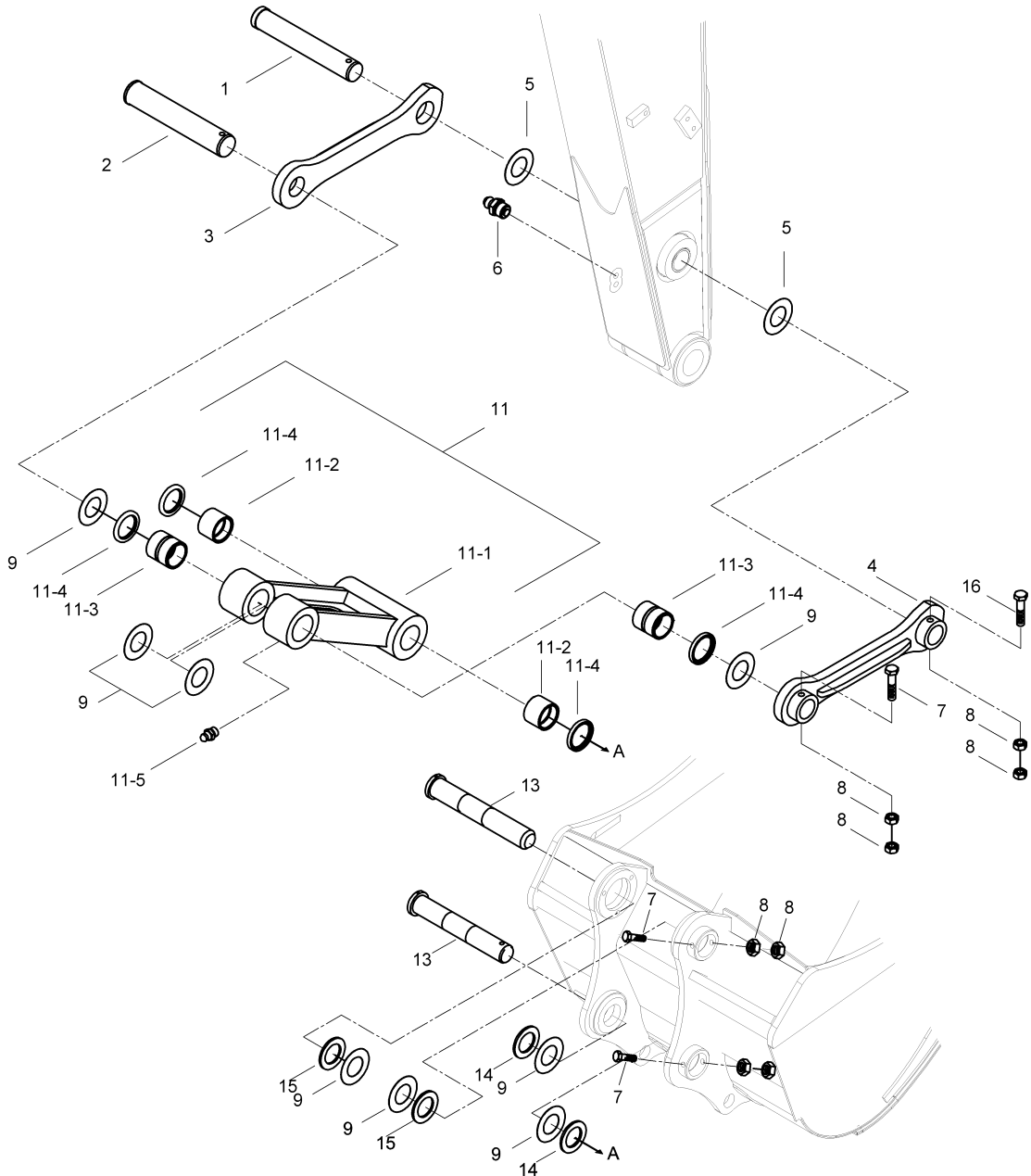


**ARM KOMPLESİ (2.6m)**  
**ARM ASS'Y (2.6m)**

No	Parça No	Parça Adı		Adet	S.K.	Bas.S.N	Bit.S.N	Y.K.	Not
No	Part no		Description	Qty	SC	S/N from	S/N to	ICA	Note
1	H205210000	ARM KOMPLESİ	ARM ASS'Y	1					
1-1	H205210100	ARM K.M.	ARM W.A.	1					
1-2	H205205000	SERT BURÇ	BUSHING	2					
1-3	N105708505	TOZ KEÇESİ	SEAL DUST	2					
1-4	H205203900	SERT BURÇ	BUSHING	2					
1-5	N105658005	TOZ KEÇESİ	SEAL DUST	2	K				
1-6	H205204000	SERT BURÇ	BUSHING	2					
1-7	N081110000	GRESÖRLÜK	GREASE NIPPLE	4					



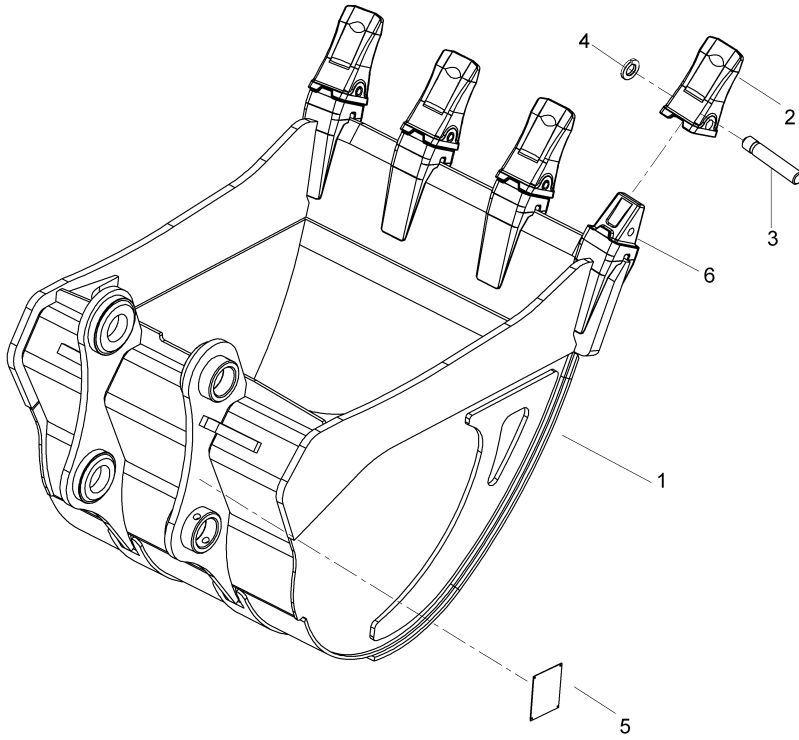
**KEPÇE BAĞLANTISI  
BUCKET LINKAGE**



**KEPÇE BAĞLANTISI**  
**BUCKET LINKAGE**

No	Parça No	Parça Adı		Adet	S.K.	Bas.S.N	Bit.S.N	Y.K.	Not
No	Part no		Description	Qty	SC	S/N from	S/N to	ICA	Note
1	H205001300	PİM	PIN	1					
2	H205001600	PİM	PIN	1					
3	H205400200	DESTEK KOLU K.M., SAĞ	LINK W.A., RH	1					
4	H205400100	DESTEK KOLU K.M., SOL	LINK W.A., LH	1					
5	N082071111	ŞİM	SHIM	2					
6	N081110000	GRESÖRLÜK	GREASE NIPPLE	3					
7	N010381406	CIVATA	BOLT	3					M16x140
8	N023570314	SOMUN	NUT	12					M16
9	N082071131	ŞİM	SHIM	8					
11	H205400400	PALET KOMPLESİ	LINK ASS'Y	1					
11-1	H205400501	PALET K.M.	LINK W.A.	1					
11-2	H345203701	SERT BURÇ	BUSHING	2					
11-3	H205401200	SERT BURÇ	BUSHING	2					
11-4	N105708505	TOZ KEÇESİ	SEAL DUST	6					
11-5	N081110000	GRESÖRLÜK	GREASE NIPPLE	3					
13	H205001500	PİM	PIN	2					
14	H205003400	O-RİNG	O-RING	2					
15	H345002100	O-RİNG	O-RING	2					

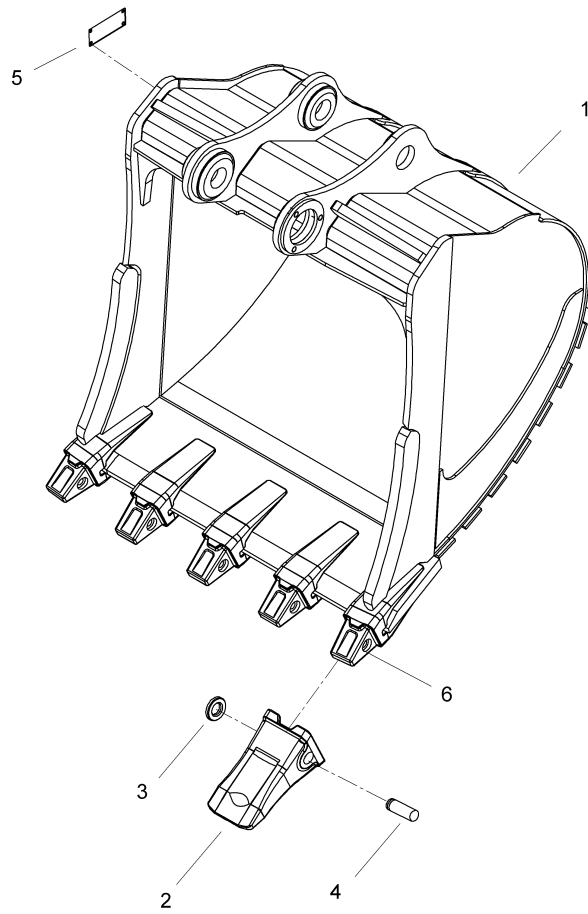
**KEPÇE, DUAL RADÜS (0.60m<sup>3</sup>)**  
**BUCKET, DUAL RADIUS (0.60m<sup>3</sup>)**



**KEPÇE, DUAL RADÜS (0.60m<sup>3</sup>)**  
**BUCKET, DUAL RADIUS (0.60m<sup>3</sup>)**

No	Parça No	Parça Adı		Adet	S.K.	Bas.S.N	Bit.S.N	Y.K.	Not
No	Part no		Description	Qty	SC	S/N from	S/N to	ICA	Note
0	H205310000	KEPÇE KOMPLESİ, DUAL RADÜS	BUCKET ASSY, DUAL RADIUS	1					
1	H205310100	KEPÇE K.M.	BUCKET W.A.	1					
2	H345302801	TIRNAK	TOOTH	4					
3	H345303000	PİM	PIN	4					
4	H345302900	SABİTLEME PULU	LOCK WASHER	4					
5	H347000600	İSİM PLAKASI, ATAŞMAN	NAME PLATE, ATTACHMENT	1					
6	H345302602	ADAPTÖR, TIRNAK	ADAPTER, TOOTH	4					

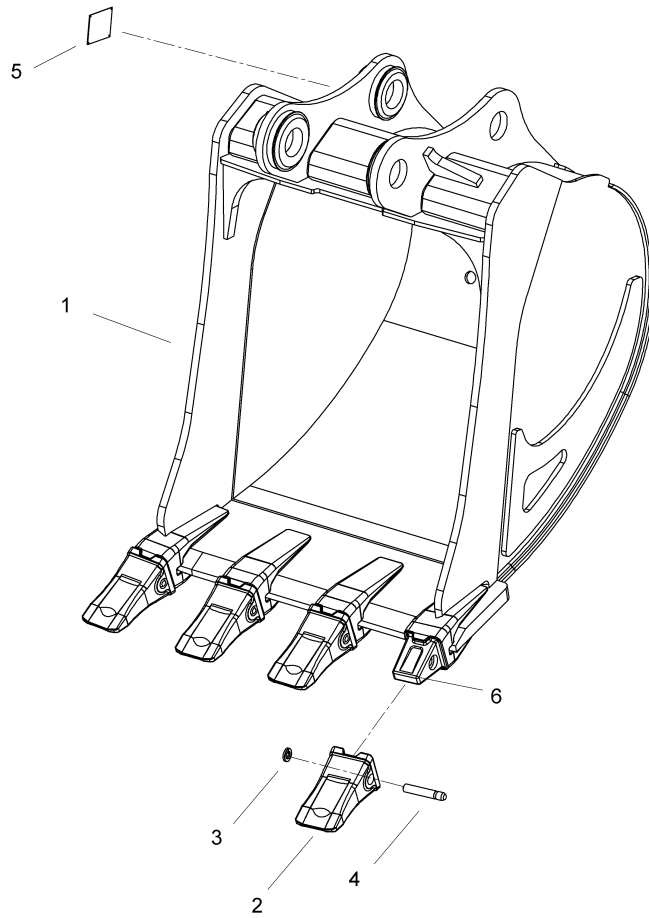
**KEPÇE, DUAL RADÜS (0.75m<sup>3</sup>)**  
**BUCKET, DUAL RADIUS (0.75m<sup>3</sup>)**



**KEPÇE, DUAL RADÜS (0.75m<sup>3</sup>)**  
**BUCKET, DUAL RADIUS (0.75m<sup>3</sup>)**

No	Parça No	Parça Adı		Adet	S.K.	Bas.S.N	Bit.S.N	Y.K.	Not
No	Part no	Description		Qty	SC	S/N from	S/N to	ICA	Note
0	H200345000	KEPÇE KOMPLESİ, DUAL RADÜS	BUCKET ASSY, DUAL RADIUS	1					
1	H200345100	KEPÇE K.M.	BUCKET W.A.	1					
2	H345302801	TIRNAK	TOOTH	5					
3	H345302900	SABİTLEME PULU	LOCK WASHER	5					
4	H345303000	PİM	PIN	5					
5	H347000600	İSİM PLAKASI, ATAŞMAN	NAME PLATE, ATTACHMENT	1					
6	H345302602	ADAPTÖR, TIRNAK	ADAPTER, TOOTH	5					

**KEPÇE, DUAL RADÜS (0.52m<sup>3</sup>)**  
**BUCKET, DUAL RADIUS (0.52m<sup>3</sup>)**

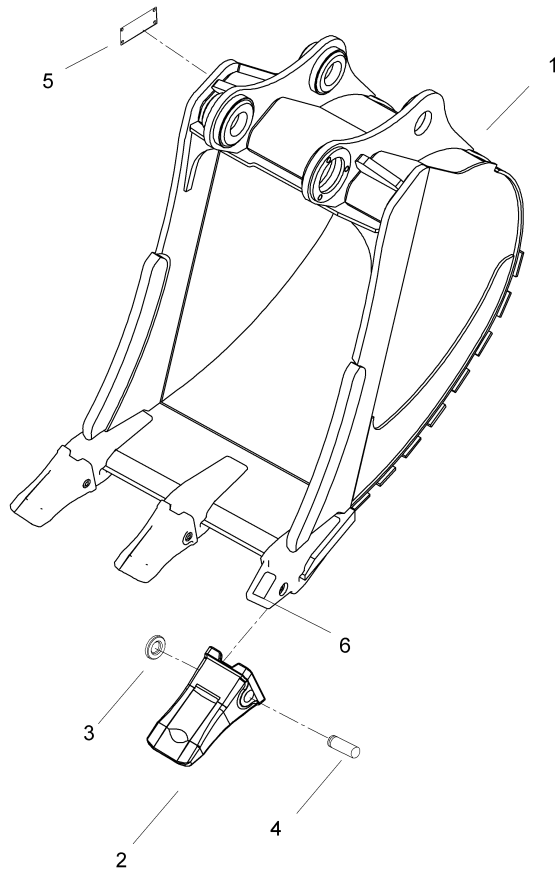


**KEPÇE, DUAL RADÜS (0.52m<sup>3</sup>)**  
**BUCKET, DUAL RADIUS (0.52m<sup>3</sup>)**

No	Parça No	Parça Adı		Adet	S.K.	Bas.S.N	Bit.S.N	Y.K.	Not
No	Part no	Description		Qty	SC	S/N from	S/N to	ICA	Note
0	H200340000	KEPÇE KOMPLESİ, DUAL RADÜS	BUCKET ASSY, DUAL RADIUS	1					
1	H200340100	KEPÇE K.M.	BUCKET W.A.	1					
2	H345302801	TIRNAK	TOOTH	4					
3	H345302900	SABİTLEME PULU	LOCK WASHER	4					
4	H345303000	PİM	PIN	4					
5	H347000600	İSİM PLAKASI, ATAŞMAN	NAME PLATE, ATTACHMENT	1					
6	H345302602	ADAPTÖR, TIRNAK	ADAPTER, TOOTH	4					



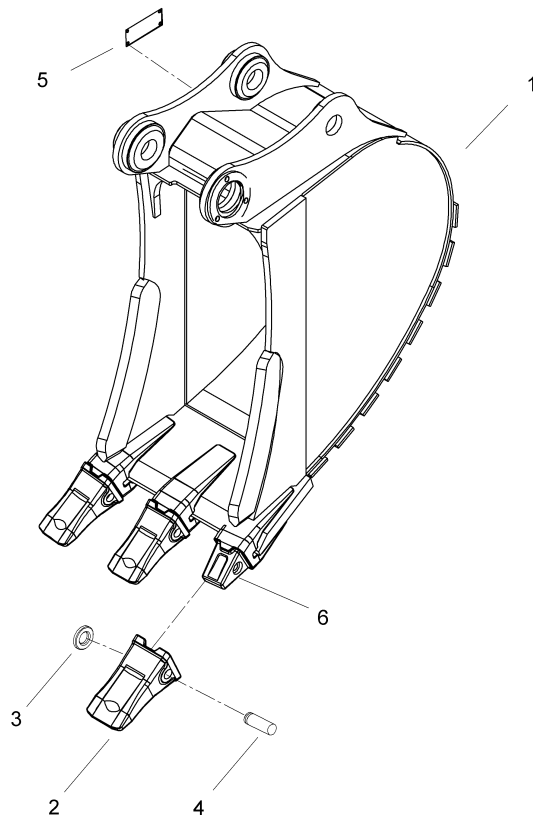
**KEPÇE, DUAL RADÜS (0.45m<sup>3</sup>)**  
**BUCKET, DUAL RADIUS (0.45m<sup>3</sup>)**



**KEPÇE, DUAL RADÜS (0.45m<sup>3</sup>)**  
**BUCKET, DUAL RADIUS (0.45m<sup>3</sup>)**

No	Parça No	Parça Adı		Adet	S.K.	Bas.S.N	Bit.S.N	Y.K.	Not
No	Part no	Description		Qty	SC	S/N from	S/N to	ICA	Note
0	H200335000	KEPÇE KOMPLESİ, DUAL RADÜS	BUCKET ASSY, DUAL RADIUS	1					
1	H200335100	KEPÇE K.M.	BUCKET W.A.	1					
2	H345302801	TIRNAK	TOOTH	3					
3	H345302900	SABİTLEME PULU	LOCK WASHER	3					
4	H345303000	PİM	PIN	3					
5	H347000600	İSİM PLAKASI, ATAŞMAN	NAME PLATE, ATTACHMENT	1					
6	H345302602	ADAPTÖR, TIRNAK	ADAPTER, TOOTH	3					

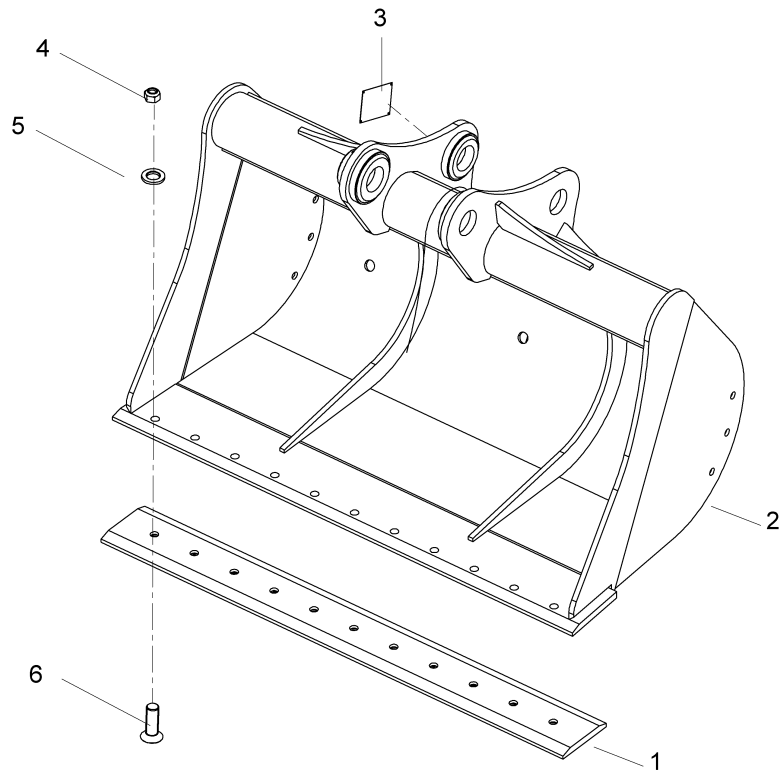
**KEPÇE, DUAL RADÜS (0.35m<sup>3</sup>)**  
**BUCKET, DUAL RADIUS (0.35m<sup>3</sup>)**



**KEPÇE, DUAL RADÜS (0.35m<sup>3</sup>)**  
**BUCKET, DUAL RADIUS (0.35m<sup>3</sup>)**

No	Parça No	Parça Adı		Adet	S.K.	Bas.S.N	Bit.S.N	Y.K.	Not
No	Part no	Description		Qty	SC	S/N from	S/N to	ICA	Note
0	H200330000	KEPÇE KOMPLESİ, DUAL RADÜS	BUCKET ASSY, DUAL RADIUS	1					
1	H200330100	KEPÇE K.M.	BUCKET W.A.	1					
2	H345302801	TIRNAK	TOOTH	3					
3	H345302900	SABİTLEME PULU	LOCK WASHER	3					
4	H345303000	PİM	PIN	3					
5	H347000600	İSİM PLAKASI, ATAŞMAN	NAME PLATE, ATTACHMENT	1					
6	H345302602	ADAPTÖR, TIRNAK	ADAPTER, TOOTH	3					

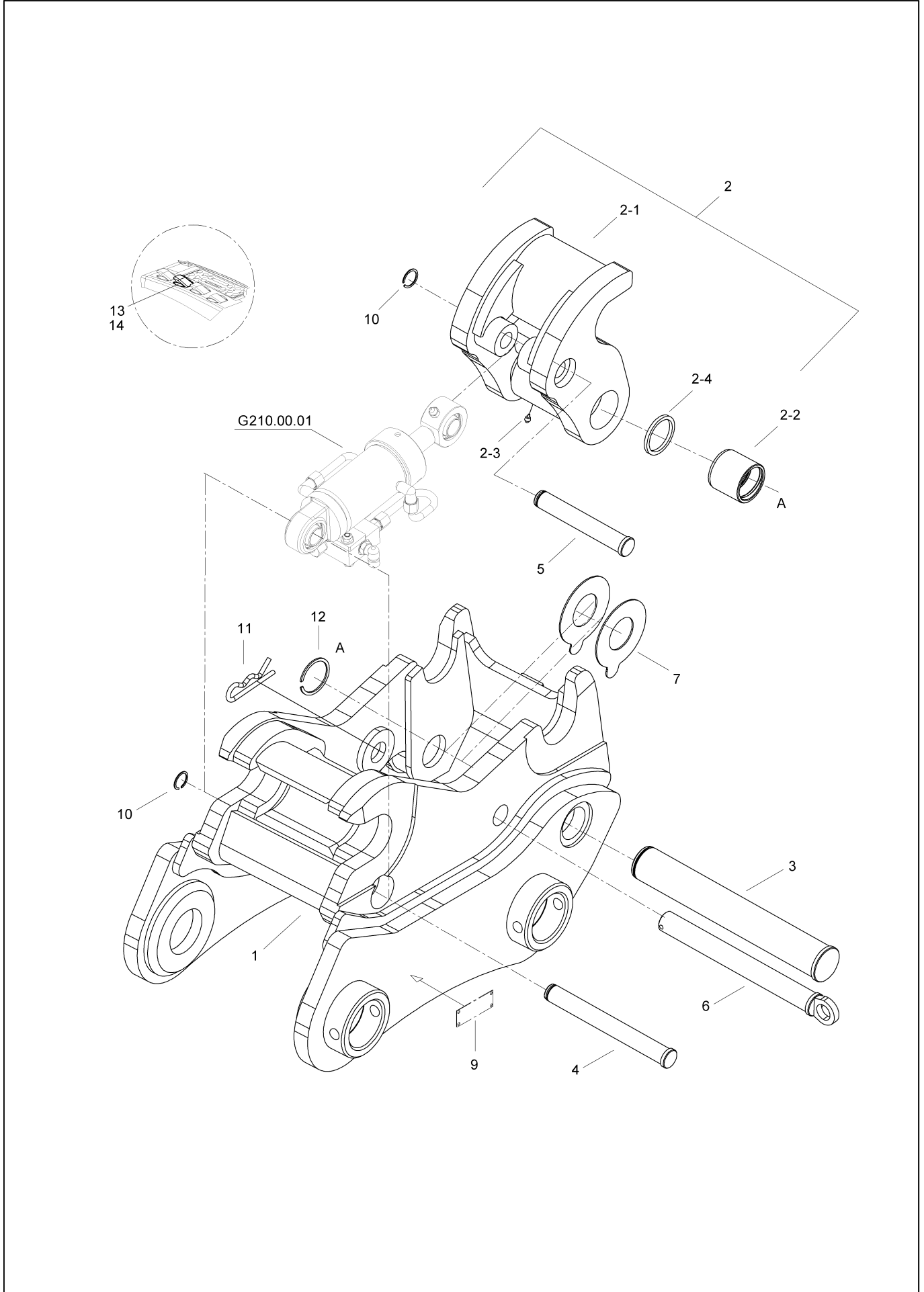
**KEPÇE, TEMİZLİK (0.6m<sup>3</sup>)**  
**BUCKET, DITCH CLEANING (0.6m<sup>3</sup>)**



**KEPÇE, TEMİZLİK (0.6m<sup>3</sup>)**  
**BUCKET, DITCH CLEANING (0.6m<sup>3</sup>)**

No	Parça No	Parça Adı		Adet	S.K.	Bas.S.N	Bit.S.N	Y.K.	Not
No	Part no		Description	Qty	SC	S/N from	S/N to	ICA	Note
0	H200385000	KEPÇE KOMPLESİ, TEMİZLİK	BUCKET ASSY, DITCH CLEANING	1					
1	H200387300	ÖN BIÇAK	CUTTING EDGE	1					
2	H200385100	KEPÇE K.M., TEMİZLİK	BUCKET W.A., DITCH CLEANING	1					
3	H347000600	İSİM PLAKASI, ATAŞMAN	NAME PLATE, ATTACHMENT	1					
4	N025900242	SOMUN	NUT	11					
5	N030810003	PUL	WASHER	11					
6	N044331634	VİDA	SCREW	11					

**ÇABUK SÖK-TAK KOMPLESİ (OP)**  
**QUICK COUPLER ASS'Y (OP)**

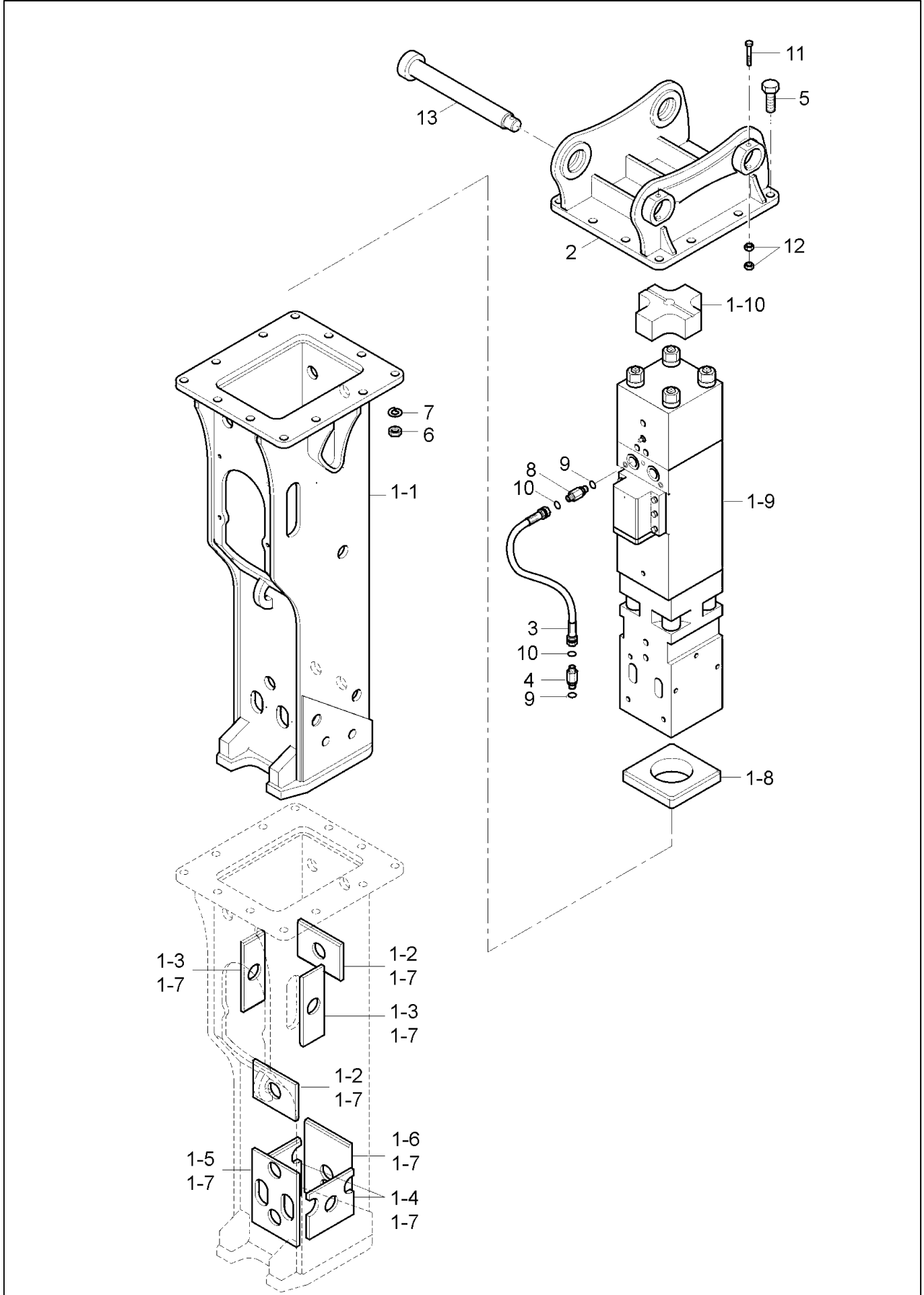


**ÇABUK SÖK-TAK KOMPLESİ (OP)**  
**QUICK COUPLER ASS'Y (OP)**

No	Parça No	Parça Adı	Description	Adet	S.K.	Bas.S.N	Bit.S.N	Y.K.	Not
No	Part no			Qty	SC	S/N from	S/N to	ICA	Note
0	H200110100	ÇABUK SÖK-TAK KOMPLESİ	QUICK COUPLER ASS'Y	1					
1	H200110202	ÇABUK SÖK-TAK K.M.	QUICK COUPLER W.A.	1					
2	H200113001	ÇENE KOMPLESİ	JAW ASS'Y	1					
2-1	H200113101	ÇENE K.M.	JAW W.A.	1					
2-2	H200113800	SERT BURÇ	BUSHING	2					
2-3	N081210020	GRESÖRLÜK	GREASE NIPPLE	1					
2-4	N105506006	TOZ KEÇESİ	SEAL DUST	2					
3	H200114000	PİM	PIN, JAW	1					
4	H200114100	PİM	PIN, JAW	1					
5	H200114200	PİM	PIN, JAW	1					
6	H200114301	PİM	PIN, JAW FIXING	1					
7	H200114500	ŞİM	SHIM	2					
9	H907001800	İSİM PLAKASI, ATAŞMAN	NAME PLATE, ATTACHMENT	1					
10	N050020045	SEGMAN	RETAINING RING	2					
11	N050020090	SEGMAN	RETAINING RING	1					
12	N063006042	HALKALI PİM	PIN, LINCH	1					
13	52031180	DÜĞME, ÇABUK SÖK-TAK	BUTTON, QUICK COUPLER	1					
14	52021030	ANAHTAR	SWITCH	1					



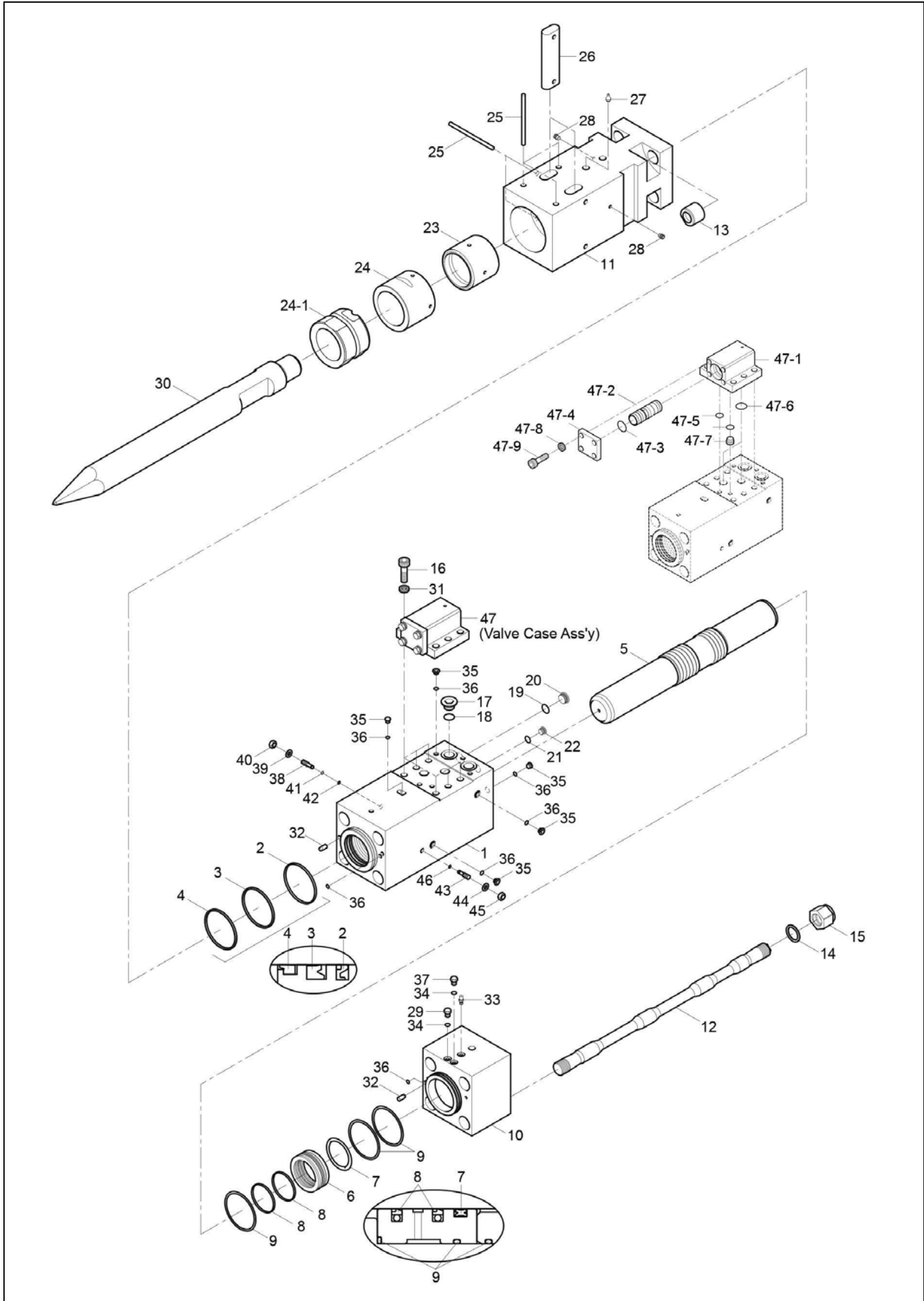
### KIRICI MONTAJI (B140, OP) BREAKER MOUNTING (B140, OP)



**KIRICI MONTAJI (B140, OP)**  
**BREAKER MOUNTING (B140, OP)**

No	Parça No	Parça Adı		Adet	S.K.	Bas.S.N	Bit.S.N	Y.K.	Not
No	Part no	Description		Qty	SC	S/N from	S/N to	ICA	Note
1	H200122600	KIRICI	BREAKER	1					
1-1	H209070069	GÖVDE K.M.	T. BOX HOUSING W.A.	1					
1-2	H209070100	SÖNÜMLEYİCİ TAKOZ, YAN	DAMPER, SIDE	2					
1-3	H209070101	SÖNÜMLEYİCİ TAKOZ, YAN	DAMPER, SIDE	2					
1-4	H209070102	SÖNÜMLEYİCİ TAKOZ, YAN	DAMPER, SIDE	2					
1-5	H209070103	SÖNÜMLEYİCİ TAKOZ, YAN	DAMPER, SIDE	1					
1-6	H209070104	SÖNÜMLEYİCİ TAKOZ, YAN	DAMPER, SIDE	1					
1-7	H259070597	O-RİNG	O-RİNG	8					
1-8	H209070024	SÖNÜMLEYİCİ TAKOZ	DAMPER, BOTTOM	1					
1-9	H209070080	GÖVDE KOMPLESİ, KIRICI	MAIN BODY ASS'Y	1					
1-10	H209070025	SÖNÜMLEYİCİ TAKOZ	DAMPER, UPPER	1					
2	H200122700	BRAKET	BRACKET, BREAKER	1					
3	H200121200	HORTUM KOMPLESİ	HOSE ASS'Y	2					
4	H340122001	NİPEL	ADAPTER	1					
5	H209070076	CIVATA	BOLT	12					
6	H209070077	SOMUN	NUT	12					
7	H209070078	SOMUN	NUT	12					
8	N16K130135	NİPEL	ADAPTER	2					
9	N102002336	O-RİNG	O-RİNG	2					
10	N102001817	O-RİNG	O-RİNG	2					
11	N010381406	CIVATA	BOLT	2					
12	N023570314	SOMUN	NUT	4					
13	H205001400	PİM	PIN	2					

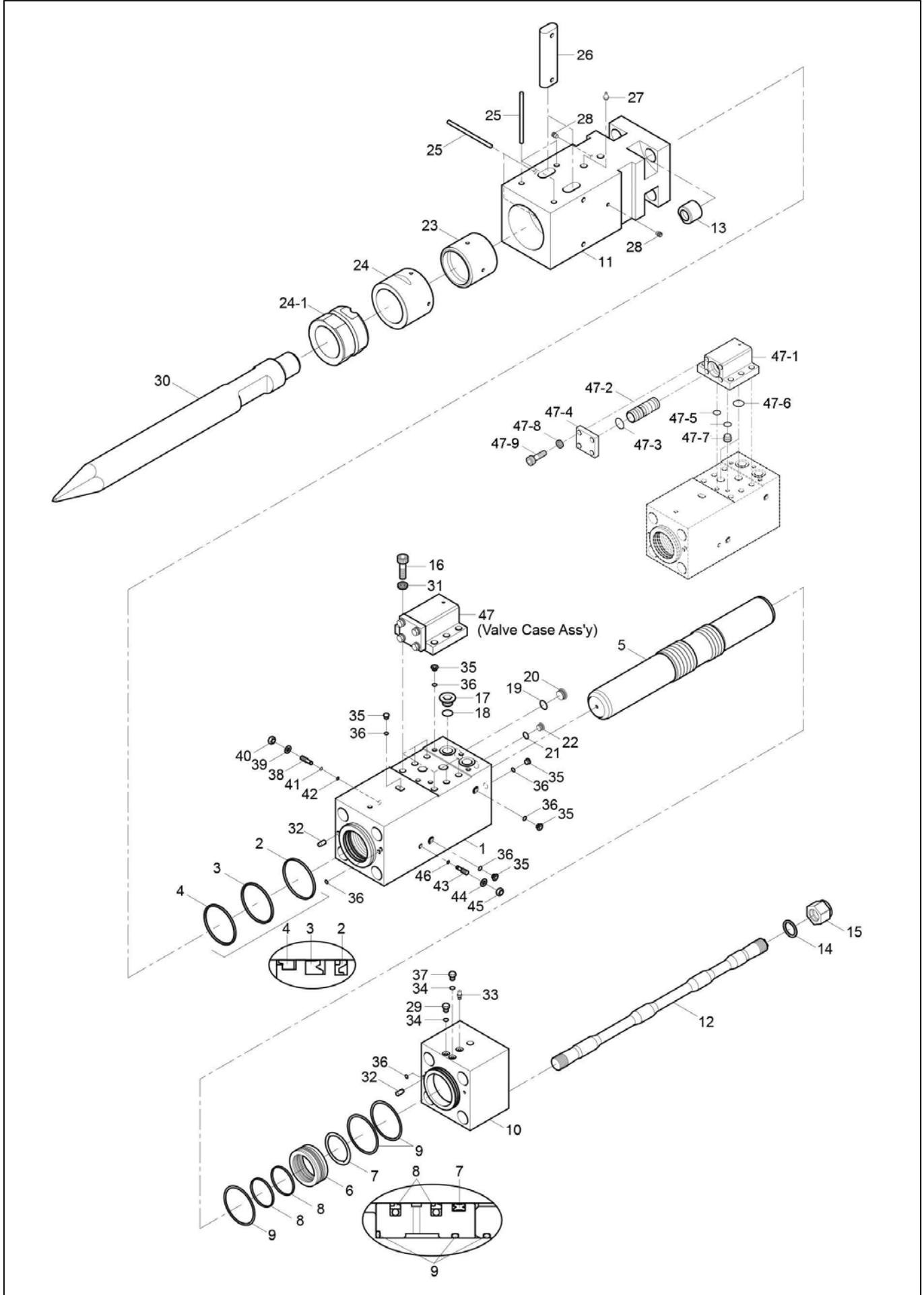
### KIRICI KOMPLESİ (B140, OP) BREAKER ASS'Y (B140, OP)



**KIRICI KOMPLESİ (B140, OP)**  
**BREAKER ASS'Y (B140, OP)**

No	Parça No	Parça Adı		Adet	S.K.	Bas.S.N	Bit.S.N	Y.K.	Not
No	Part no	Description		Qty	SC	S/N from	S/N to	ICA	Note
1	H209070107	SİLİNDİR	CYLINDER	1					
2	H209070027	TAMPON KEÇE	RING, BUFFER	1	K2				
3	H209070028	KEÇE, U-PACKING	U-PACKING	1	K2				
4	H209070029	TOZ KEÇESİ	SEAL DUST	1	K2				
5	H209070108	PISTON	PISTON	1					
6	H209070006	BURÇ	BUSHING, CYLINDER	1					
7	H209070030	KEÇE, DÖRTGEN	QUAD RING	1	K2				
8	H209070031	KEÇE	SEAL, STEP	2	K2				
9	H209070032	O-RİNG	O-RING	3	K2				
10	H209070033	GÖVDE, ÜST	CAP, HEAD	1					
11	H209070034	GÖVDE, KIRICI, ÖN	HEAD, FRONT	1					
12	H209070109	CIVATA	BOLT	4	T1				
13	H209070110	SOMUN	NUT	4	T1				
14	H209070037	PUL	WASHER	4	T1				
15	H209070111	SOMUN	NUT	4	T1				
16	H209070008	CIVATA	BOLT	6					
17	H209070040	TAPA	PLUG, HEX. SOCKET	2					
18	H239070017	O-RİNG	O-RING	2	K1				
19	H259070528	O-RİNG	O-RING	1	K2				
20	H259070530	TAPA	PLUG, HEX. SOCKET	1					
21	H239070021	O-RİNG	O-RING	1	K2				
22	H209070045	TAPA	PLUG, HEX. SOCKET	1					
23	H209070112	BASKI PULU	RING, THRUST	1					
24	H209070010	BURÇ	COVER, FRONT (SLIDING)	1					
24-1	H209070087	BURÇ	COVER, FRONT (TIGHT)	1					
25	H209070113	PİM	PIN, STOP	5					
26	H209070114	KAMA	PIN, CHISEL	2					
27	H259070536	GRESÖRLÜK	GREASE NIPPLE	1					
28	H259070537	TAPA	PLUG, HOLLOW	2					
29	H259070538	HAVA BAŞLIĞI KOMPLESİ	AIR CAP ASS'Y	1					
30	H209070002	KIRICI UCU, SIVRİ	CHISEL (MOIL)	1					
30	H209070001	KIRICI UCU, KESKİ	CHISEL (WEDGE)	1					
30	H209070003	KIRICI UCU, KONİK	CHISEL (CONICAL)	1					
30	H209070004	KIRICI UCU, KÖR	CHISEL (BLUNT)	1					
31	H239070041	PUL	WASHER	6					
32	H239070037	MERKEZLEME PİMİ	PIN, KNOCK	2					
33	H259070539	GAZ BASMA VALFİ	SCREW COUPLING	1					
34	H259070540	O-RİNG	O-RING	2	K1				
35	H209070053	TAPA	PLUG, HEX. SOCKET	7					
36	H259070542	O-RİNG	O-RING	11	K1				
37	H259070541	TAPA	PLUG, HEX. SOCKET	1					
38	H209070115	VURUŞ AYARLAYICI	ADJUSTER, ANTIBLOW	1					
39	H259070550	PUL	WASHER	1					
40	H259070356	SOMUN	NUT	1					
41	H259070552	BACK-UP RİNG	BACK-UP RING	1	K2				
42	H259070553	O-RİNG	O-RING	1	K2				
43	H209070119	VURUŞ AYARLAYICI	ADJUSTER, 2-STROKE	1					
44	H209070120	PUL	WASHER	1					
45	H209070121	SOMUN	NUT	1					

### KIRICI KOMPLESİ (B140, OP) BREAKER ASS'Y (B140, OP)



**KIRICI KOMPLESİ (B140, OP)**  
**BREAKER ASS'Y (B140, OP)**

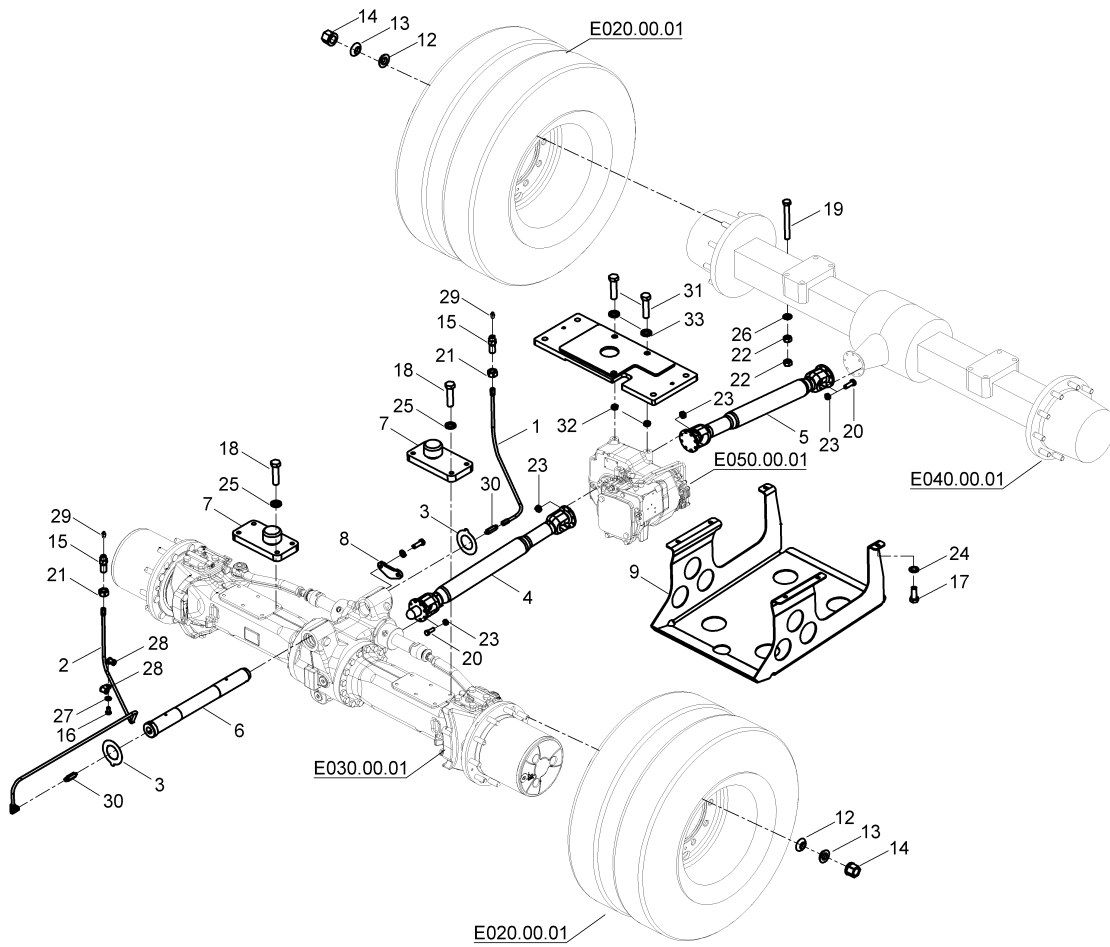
No	Parça No	Parça Adı	Description	Adet	S.K.	Bas.S.N	Bit.S.N	Y.K.	Not
No	Part no			Qty	SC	S/N from	S/N to	ICA	Note
46	H239070051	O-RİNG	O-RING	1	K2				
47	H209070123	VALF KUTUSU KOMPLESİ	VALVE CASE ASS'Y	1					
47-1	H209070124	VALF KUTUSU	CASE, VALVE	1					
47-2	H209070017	VALF	VALVE	1					
47-3	H239070057	O-RİNG	O-RING	1	K3				
47-4	H209070125	SAC	PLATE, VALVE	1					
47-5	H239070058	O-RİNG	O-RING	2	K3				
47-6	H209070065	O-RİNG	O-RING	2	K3				
47-7	H209070066	TAPA	PLUG	1					
47-8	H239070041	PUL	WASHER	4					
47-9	H209070126	CIVATA	BOLT, SOCKET	4					
K1	H209070127	KEÇE TAKIMI, TÜM	SEAL KIT, ALL	1					
K2	H209070128	KEÇE TAKIMI, SİLİNDİR	SEAL KIT, CYLINDER	1					K1+K2+K3
K3	H209070015	KEÇE TAKIMI, VALF GÖVDESİ	SEAL KIT, VALVE CASE	1					
T1	H209070129	CIVATA TAMİR TAKIMI	THROUGH BOLT SET	1					

# E - GÜÇ AKTARMA SİSTEMİ

## E - POWER TRAIN SYSTEM

Sayfa No / Page No	Sayfa Adı	Page Name	Revizyon / Revision
E010.00.01	GÜÇ AKTARMA MONTAJI	POWER TRAIN MOUNTING	
E020.00.01	TEKER VE LASTİK GRUBU (ÇİFT, 9.00/R20)	WHEEL & TIRE GROUP (DOUBLE, 9.00/R20)	
E020.01.01	TEKER VE LASTİK GRUBU (TEK, 18.00/R19.5)	WHEEL & TIRE GROUP (SINGLE, 18.00/R19.5)	
E020.02.01	TEKER VE LASTİK GRUBU (DOLGU, 10.00/R20)	WHEEL & TIRE GROUP (SOLID, 10.00/R20)	
E020.03.01	TEKER VE LASTİK GRUBU (ÇİFT, 10.00/R20)	WHEEL & TIRE GROUP (DOUBLE, 10.00/R20)	
E030.00.01	ÖN AKS	FRONT AXLE	
E030.00.02	ÖN AKS, AYNA MAHRUTİ	FRONT AXLE, INPUT	
E030.00.03	ÖN AKS, DİFERANSİYEL	FRONT AXLE, DIFFERENTIAL	
E030.00.04	ÖN AKS, KOVAN PARÇALARI	FRONT AXLE, AXLE CASING PARTS	
E030.00.05	ÖN AKS, AKS KOVANI	FRONT AXLE, AXLE CASING	
E030.00.06	ÖN AKS, AKS BAŞI	FRONT AXLE, JOINT HOUSING	
E030.00.07	ÖN AKS, DİREKSİYON SİLİNDİRİ	FRONT AXLE, STEERING CYLINDER	
E030.00.08	ÖN AKS, PLANET DİŞLİ GRUBU	FRONT AXLE, OUTPUT	
E040.00.01	ARKA AKS	REAR AXLE	
E040.00.02	ARKA AKS, AYNA MAHRUTİ	REAR AXLE, INPUT	
E040.00.03	ARKA AKS, DİFERANSİYEL	REAR AXLE, DIFFERENTIAL	
E040.00.04	ARKA AKS, KOVAN PARÇALARI	REAR AXLE, AXLE CASING PARTS	
E040.00.05	REAR AKS, AKS KOVANI	REAR AXLE, AXLE CASING	
E040.00.06	ARKA AKS, DİŞLİ VE TAŞIYICI GRUBU	REAR AXLE, HUB CARRIER	
E040.00.07	ARKA AKS, PLANET DİŞLİ GRUBU	REAR AXLE, OUTPUT	
E050.00.01	ŞANZİMAN	TRANSMISSION	
E050.00.02	ŞANZİMAN, TAHRİK GÖVDESİ	TRANSMISSION, INPUT HOUSING	
E050.00.03	ŞANZİMAN, GÖVDE	TRANSMISSION, HOUSING	
E050.00.04	ŞANZİMAN, ÇOKLU DİSK FRENİ	TRANSMISSION, M-DISK BRAKE	
E050.00.05	ŞANZİMAN, KAVRAMA	TRANSMISSION, COUPLING	
E050.00.06	ŞANZİMAN, PLANET DİŞLİSİ TAHİRİĞİ	TRANSMISSION, PLANETARY DRIVE	
E050.00.07	ŞANZİMAN, ÇIKIŞ	TRANSMISSION, OUTPUT	
E050.00.08	ŞANZİMAN, VİTES KOLU SENSÖRÜ	TRANSMISSION, GEAR SHIFT SENSOR	
E050.00.09	ŞANZİMAN, YAĞLAMA TESİSATI	TRANSMISSION, OIL PIPE	

# GÜÇ AKTARMA MONTAJI POWER TRAIN MOUNTING

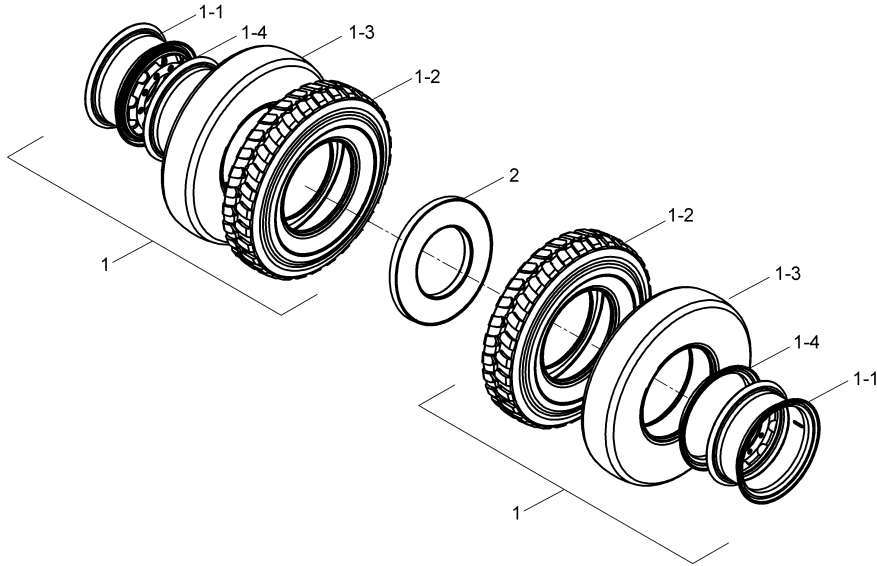




**GÜÇ AKTARMA MONTAJI**  
**POWER TRAIN MOUNTING**

No	Parça No	Parça Adı	Adet	S.K.	Bas.S.N	Bit.S.N	Y.K.	Not
No	Part no	Description	Qty	SC	S/N from	S/N to	ICA	Note
1	97N091217	HORTUM KOMPLESİ	1					
2	97Q091236	HORTUM KOMPLESİ	1					
3	H204309600	ŞİM	2					
4	H204500301	ŞAFT, ÖN	1					
5	H204500401	ŞAFT, ARKA	1					
6	H204500501	PİM, ÖN AKS	1					
7	H204500601	TAHDİT K.M.	2					
8	H204501601	KORUMA SACI	1					
9	H204501701	KORUMA SACI	1					
12	H239032152	YÜKSÜK	40					
13	H239032153	YÜKSÜK	40					
14	H239032154	BİJON SOMUNU	40					
15	H343011300	NİPEL	2					
16	N010232078	CIVATA	1					M8x15
17	N010232858	CIVATA	8					M12x35
18	N010381262	CIVATA	8					M16x65
19	N010391968	CIVATA	8					M20x180
20	N010480470	CIVATA	16					M10x30
21	N023570326	SOMUN	2					M16x1.5
22	N023580374	SOMUN	16					M20
23	N025910110	SOMUN	32					M10x1
24	N030810001	PUL	8					M12
25	N030810002	PUL	8					M16
26	N030810003	PUL	8					M20
27	N031310010	YAYLI RONDELA	1					M8
28	N077011208	KELEPÇE	2					
29	N081130000	GRESÖRLÜK	2					
30	N16K440300	NİPEL	2					
31	N010381754	CIVATA	4					M20x60
32	N023580374	SOMUN	4					M20
33	N030810003	PUL	4					M20

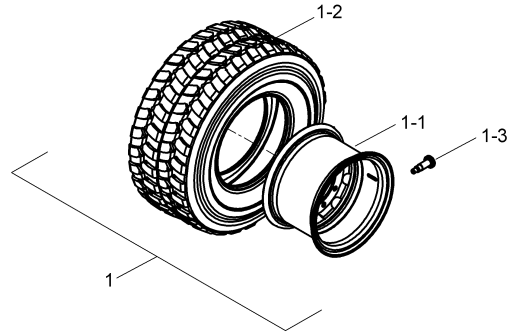
**TEKER VE LASTİK GRUBU (ÇİFT, 9.00/R20)**  
**WHEEL & TIRE GROUP (DOUBLE, 9.00/R20)**



**TEKER VE LASTİK GRUBU (ÇİFT, 9.00/R20)**  
**WHEEL & TIRE GROUP (DOUBLE, 9.00/R20)**

No	Parça No	Parça Adı		Adet	S.K.	Bas.S.N	Bit.S.N	Y.K.	Not
No	Part no		Description	Qty	SC	S/N from	S/N to	ICA	Note
1	H204200101	LASTİK KOMPLESİ	WHEEL ASS'Y	8					
1-1	H204501301	JANT	RIM, WHEEL	8					
1-2	H204200301	DIŞ LASTİK	TIRE	8					
1-3	H204200400	İÇ LASTİK	TUBE	8					
1-4	H204200500	KOLON	FLAP	8					
2	H204200601	ARA LASTİK	RING-STONE RESISTER	4					

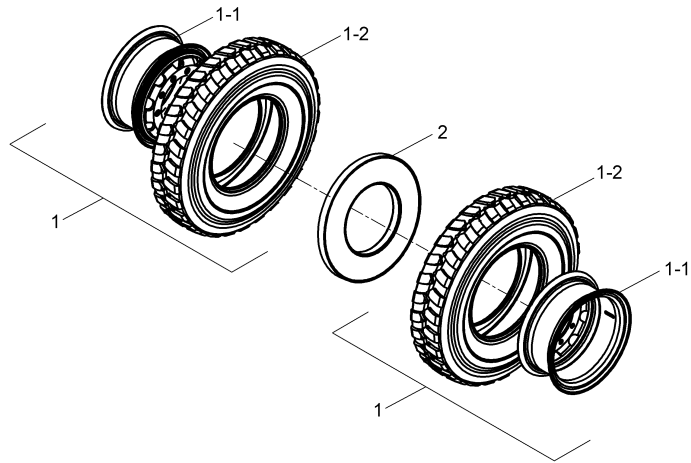
**TEKER VE LASTİK GRUBU (TEK, 18.00/R19.5)**  
**WHEEL & TIRE GROUP (SINGLE, 18.00/R19.5)**



**TEKER VE LASTİK GRUBU (TEK, 18.00/R19.5)**  
**WHEEL & TIRE GROUP (SINGLE, 18.00/R19.5)**

No	Parça No	Parça Adı		Adet	S.K.	Bas.S.N	Bit.S.N	Y.K.	Not
No	Part no		Description	Qty	SC	S/N from	S/N to	ICA	Note
1	H224220100	LASTİK KOMPLESİ	WHEEL ASS'Y	4					
1-1	H224220200	JANT	RIM, WHEEL	4					
1-2	H224220300	LASTİK	TIRE	4					
1-3	H224220400	LASTİK SUPABI	VALVE	4					

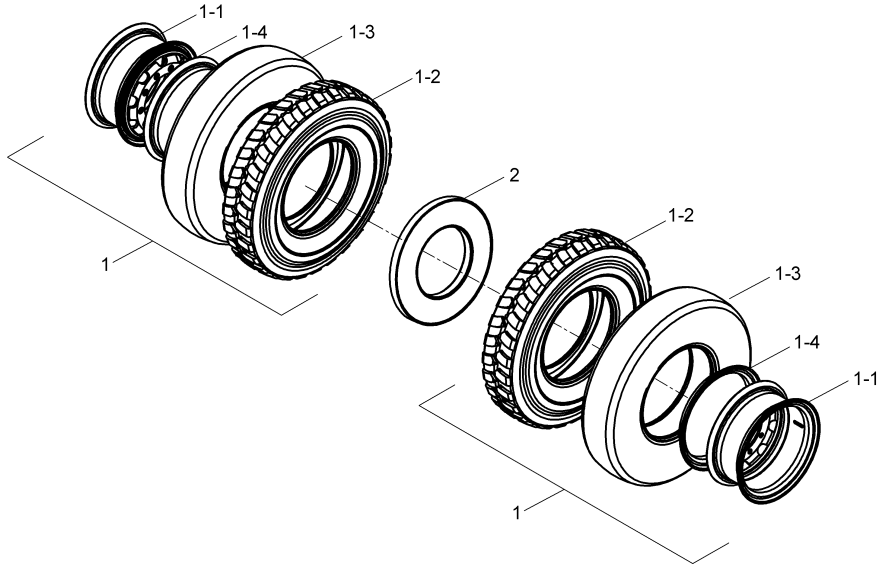
**TEKER VE LASTİK GRUBU (DOLGU, 10.00/R20)**  
**WHEEL & TIRE GROUP (SOLID, 10.00/R20)**



**TEKER VE LASTİK GRUBU (DOLGU, 10.00/R20)**  
**WHEEL & TIRE GROUP (SOLID, 10.00/R20)**

No	Parça No	Parça Adı	Adet	S.K.	Bas.S.N	Bit.S.N	Y.K.	Not
No	Part no	Description	Qty	SC	S/N from	S/N to	ICA	Note
1	H224230100	LASTİK KOMPLESİ	8					
1-1	H224230200	JANT	8					
1-2	H224230300	LASTİK	8					
2	H224230400	ARA LASTİK	4					

**TEKER VE LASTİK GRUBU (ÇİFT, 10.00/R20)**  
**WHEEL & TIRE GROUP (DOUBLE, 10.00/R20)**

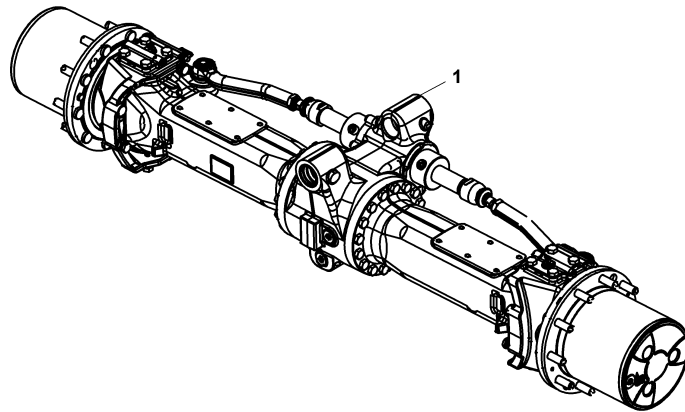




**TEKER VE LASTİK GRUBU (ÇİFT, 10.00/R20)**  
**WHEEL & TIRE GROUP (DOUBLE, 10.00/R20)**

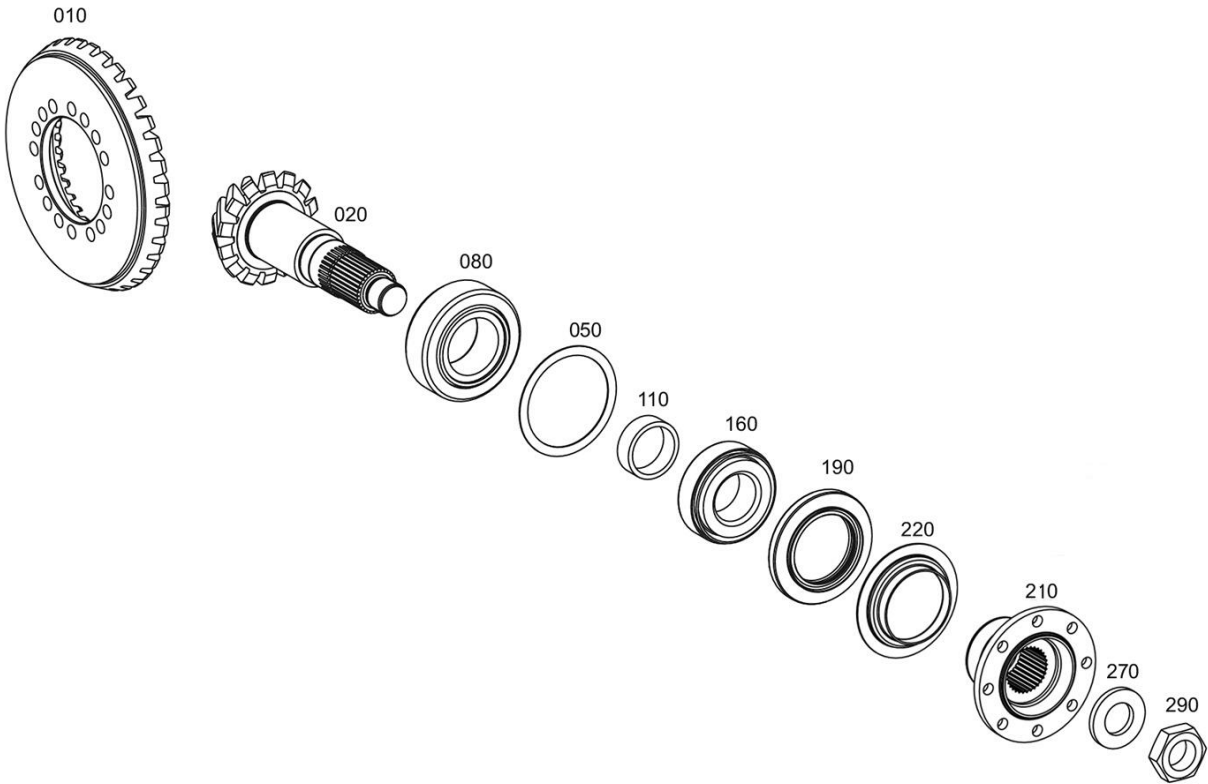
No	Parça No	Parça Adı		Adet	S.K.	Bas.S.N	Bit.S.N	Y.K.	Not
No	Part no		Description	Qty	SC	S/N from	S/N to	ICA	Note
1	H224200100	LASTİK KOMPLESİ	WHEEL ASS'Y	8					
1-1	H224200200	JANT	RIM, WHEEL	8					
1-2	H224200300	DIŞ LASTİK	TIRE	8					
1-3	H224200400	İÇ LASTİK	TUBE	8					
1-4	H224200500	KOLON	FLAP	8					
2	H224200600	ARA LASTİK	RING-STONE RESISTER	4					

ÖN AKS  
FRONT AXLE





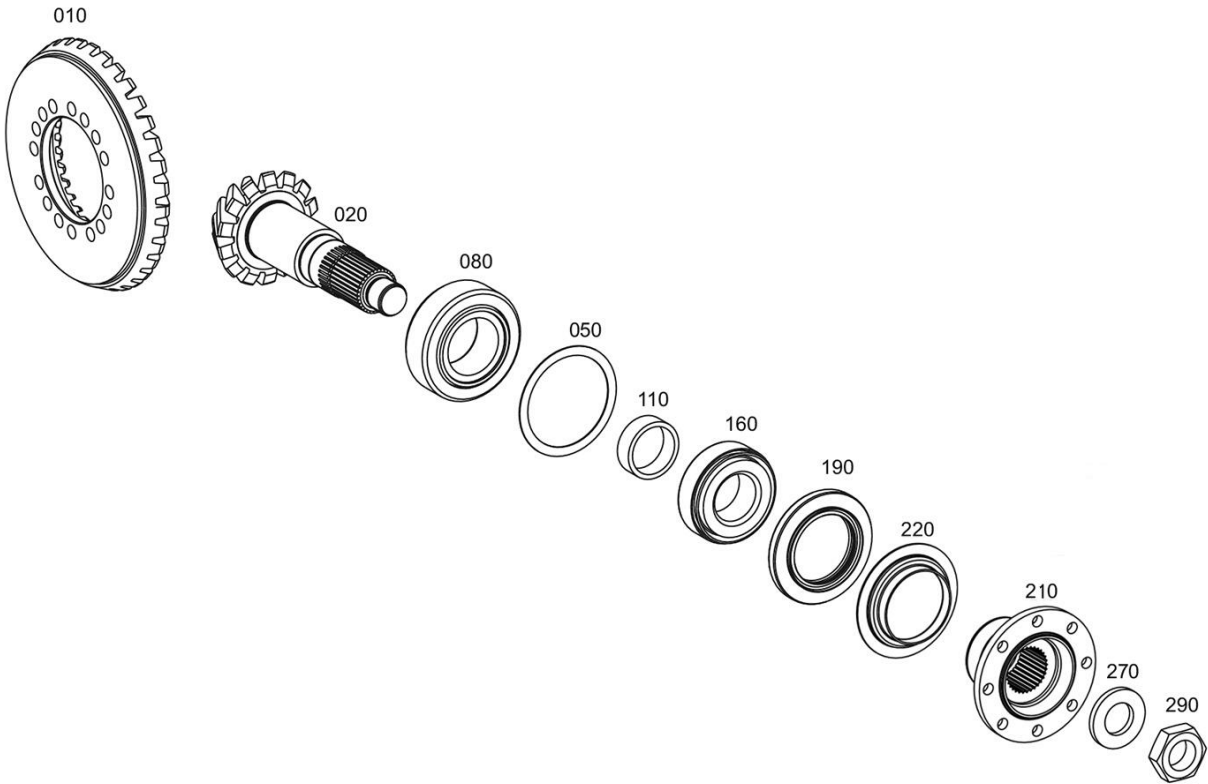
ÖN AKS, AYNA MAHRUTİ  
FRONT AXLE, INPUT



**ÖN AKS, AYNA MAHRUTİ  
FRONT AXLE, INPUT**

No	Parça No	Parça Adı	Adet	S.K.	Bas.S.N	Bit.S.N	Y.K.	Not
No	Part no	Description	Qty	SC	S/N from	S/N to	ICA	Note
0	H209032260	GİRİŞ KOMPLESİ	1					
010	H209032001A	AYNA DIŞLI	1					
020	H209032002A	MAHRUTİ DIŞLI	1					
050	H209032003	ŞİM	1					
050	H209032004	ŞİM	1					S=2,0
050	H209032005	ŞİM	1					S=1,8
050	H209032006	ŞİM	1					S=1,5
050	H209032007	ŞİM	1					S=1,2
050	H209032008	ŞİM	1					S=1,9
050	H209032009	ŞİM	1					S=1,7
050	H209032010	ŞİM	1					S=1,6
050	H209032011	ŞİM	1					S=1,4
050	H209032012	ŞİM	1					S=1,3
050	H209032013	ŞİM	1					S=1,0
050	H209032014	ŞİM	1					S=0,9
050	H209032015	ŞİM	1					S=0,8
050	H209032016	ŞİM	1					S=0,7
050	H209032017	ŞİM	1					S=0,6
050	H209032018	ŞİM	1					S=0,5
050	H209032019	ŞİM	1					S=0,3
050	H209032020	ŞİM	1					S=0,2
050	H209032021	ŞİM	1					S=0,1
050	H209032022	ŞİM	1					S=0,75
050	H209032023	ŞİM	1					S=0,65
050	H209032024	ŞİM	1					S=1,25
050	H209032025	ŞİM	1					S=1,35
050	H209032026	ŞİM	1					S=1,45
050	H209032027	ŞİM	1					S=1,55
050	H209032028	ŞİM	1					S=1,65
050	H209032029	ŞİM	1					S=1,75
050	H209032030	ŞİM	1					S=1,85
080	H209032031A	RULMAN	1					
110	H209032033	SEGMAN	1					S=16,0
110	H209032034	SEGMAN	1					S=16,1
110	H209032035	SEGMAN	1					S=16,2
110	H209032036	SEGMAN	1					S=16,3
110	H209032037	SEGMAN	1					S=16,4
110	H209032038	SEGMAN	1					S=16,5
110	H209032039	SEGMAN	1					S=16,6
110	H209032040	SEGMAN	1					S=16,7
110	H209032041	SEGMAN	1					S=16,8
110	H209032042	SEGMAN	1					S=16,92
110	H209032043	SEGMAN	1					S=17,10
110	H209032044	SEGMAN	1					S=17,2
110	H209032045	SEGMAN	1					S=17,3
110	H209032046	SEGMAN	1					S=17,4
110	H209032047	SEGMAN	1					S=16,86
110	H209032048	SEGMAN	1					S=16,98
110	H209032049	SEGMAN	1					S=17,04

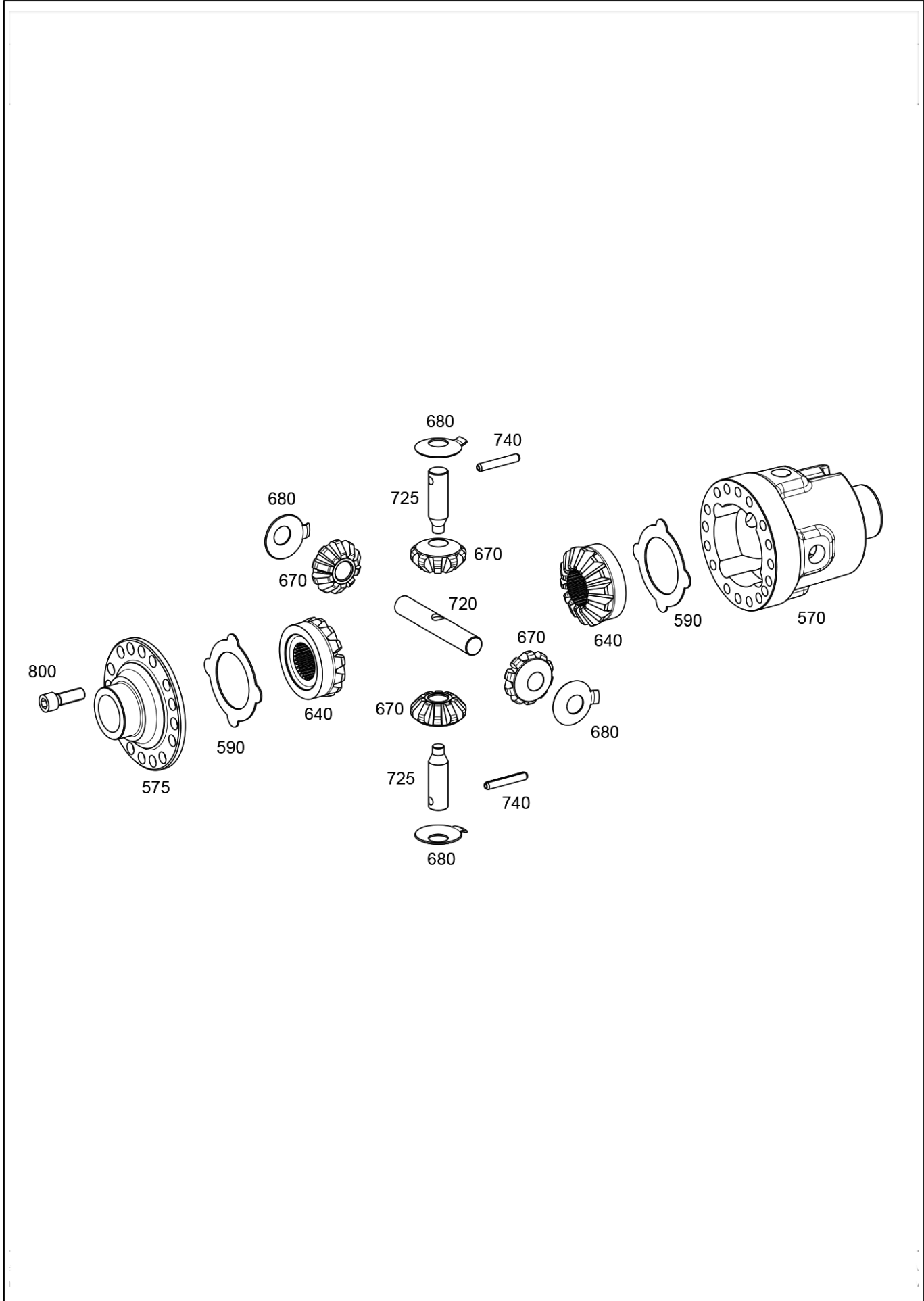
ÖN AKS, AYNA MAHRUTİ  
FRONT AXLE, INPUT



**ÖN AKS, AYNA MAHRUTİ  
FRONT AXLE, INPUT**

No	Parça No	Parça Adı		Adet	S.K.	Bas.S.N	Bit.S.N	Y.K.	Not
No	Part no	Description		Qty	SC	S/N from	S/N to	ICA	Note
110	H209032050	SEGMAN	RING	1					A=16,56
110	H209032051	SEGMAN	RING	1					A=16,62
110	H209032052	SEGMAN	RING	1					A=16,64
110	H209032053	SEGMAN	RING	1					A=16,68
110	H209032054	SEGMAN	RING	1					A=16,72
110	H209032055	SEGMAN	RING	1					A=16,74
110	H209032056	SEGMAN	RING	1					A=16,76
110	H209032057	SEGMAN	RING	1					A=16,78
110	H209032058	SEGMAN	RING	1					A=16,82
110	H209032059	SEGMAN	RING	1					A=16,84
110	H209032060	SEGMAN	RING	1					A=16,88
110	H209032061	SEGMAN	RING	1					A=16,9
110	H209032062	SEGMAN	RING	1					A=16,94
110	H209032063	SEGMAN	RING	1					A=16,66
110	H209032064	SEGMAN	RING	1					A=16,96
110	H209032065	SEGMAN	RING	1					A=17,0
110	H209032066	SEGMAN	RING	1					A=17,02
110	H209032067	SEGMAN	RING	1					A=17,06
110	H209032068	SEGMAN	RING	1					A=17,08
110	H209032069	SEGMAN	RING	1					A=17,12
110	H209032070	SEGMAN	RING	1					A=17,14
110	H209032071	SEGMAN	RING	1					A=17,16
110	H209032072	SEGMAN	RING	1					A=17,18
110	H209032073	SEGMAN	RING	1					A=17,22
110	H209032074	SEGMAN	RING	1					A=17,24
110	H209032075	SEGMAN	RING	1					A=17,26
110	H209032076	SEGMAN	RING	1					A=17,28
160	H209032077	BİLYELİ RULMAN	ROLLER BEARING	1					
190	H209032078A	KEÇE, ŞAFT	SHAFT SEAL	1					
210	H209032083A	FLANŞ	INPUT FLANGE	1	K1				
220	H209032084	SÜZGEÇ	SCREEN SHEET	1	K1				
270	H209032079	PUL	WASHER	1					
290	H209032080	SOMUN	HEXAGON NUT	1					BM 30x1,5
K1	H209032261	GİRİŞ	INPUT	1					INPUT

# ÖN AKS, DİFERANSİYEL FRONT AXLE, DIFFERENTIAL

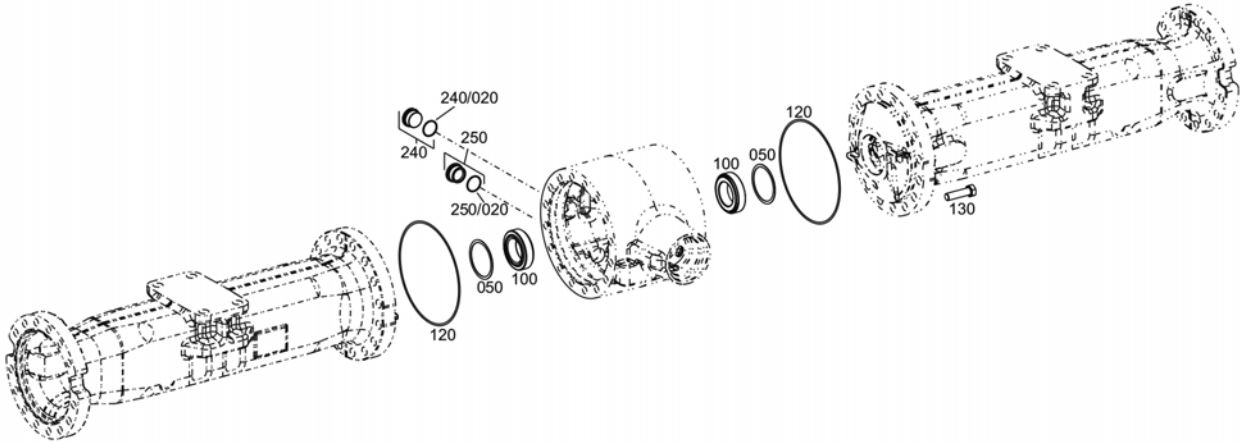




**ÖN AKS, DİFERANSİYEL  
FRONT AXLE, DIFFERENTIAL**

No	Parça No	Parça Adı		Adet	S.K.	Bas.S.N	Bit.S.N	Y.K.	Not
No	Part no		Description	Qty	SC	S/N from	S/N to	ICA	Note
0	H209032262A	DİFERANSİYEL KOMPLESİ	DIFFERENTIAL	1					
570	H209032085A	GÖVDE, DİFERANSİYEL	DIFFERENTIAL CASE	1					
575	H209032086	KAPAK	COVER	1					
590	H209032088	BASKI PULU	THRUST WASHER	2					
640	H209032089A	DİŞLİ, AKS	AXLE BEVEL GEAR	2					
670	H209032090	DİŞLİ, İSTAVROZ	DIFFERENTIAL BEVEL GEAR	4					
680	H209032091	BASKI PULU	THRUST WASHER	4					
720	H209032092	MİL	DIFFERENTIAL AXLE	1					
725	H209032093A	İSTAVROZ	DIFFERENTIAL AXLE	2					
740	H209032094A	PİM	SLOT. PIN	2					
800	H209032095	CIVATA	CAP SCREW	16					

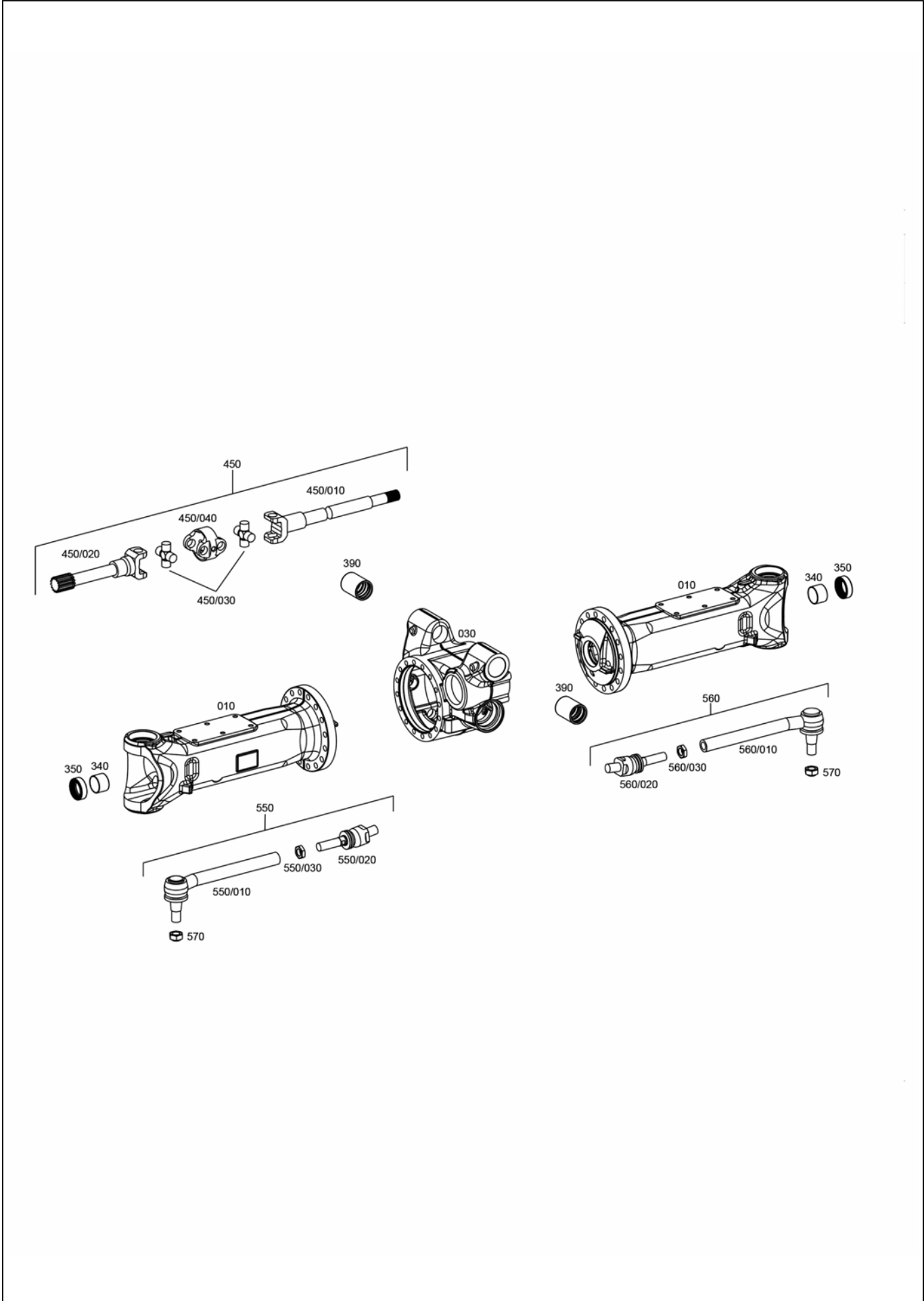
**ÖN AKS, KOVAN PARÇALARI**  
**FRONT AXLE, AXLE CASING PARTS**



**ÖN AKS, KOVAN PARÇALARI**  
**FRONT AXLE, AXLE CASING PARTS**

No	Parça No	Parça Adı		Adet	S.K.	Bas.S.N	Bit.S.N	Y.K.	Not
No	Part no	Description		Qty	SC	S/N from	S/N to	ICA	Note
0	H209032263	AKS KOVANI PARÇALARI	AXLE CASING PARTS	1					
050	H209032097	ŞİM	SHIM	2					A=0,10
050	H209032098	ŞİM	SHIM	2					A=0,15
050	H209032099	ŞİM	SHIM	2					A=0,20
050	H209032100	ŞİM	SHIM	2					A=0,25
050	H209032101	ŞİM	SHIM	2					A=0,30
050	H209032102	ŞİM	SHIM	2					A=0,35
050	H209032103	ŞİM	SHIM	2					A=0,4
050	H209032104	ŞİM	SHIM	2					A=0,45
050	H209032105	ŞİM	SHIM	2					A=0,50
050	H209032106	ŞİM	SHIM	2					A=0,55
050	H209032107	ŞİM	SHIM	2					A=0,6
050	H209032108	ŞİM	SHIM	2					A=0,65
050	H209032109	ŞİM	SHIM	2					A=0,70
050	H209032110	ŞİM	SHIM	2					A=0,75
050	H209032111	ŞİM	SHIM	2					A=0,80
050	H209032112	ŞİM	SHIM	2					A=0,85
050	H209032113	ŞİM	SHIM	2					A=0,90
050	H209032114	ŞİM	SHIM	2					A=0,95
050	H209032115	ŞİM	SHIM	2					A=1,00
050	H209032116	ŞİM	SHIM	2					A=1,05
050	H209032117	ŞİM	SHIM	2					A=1,10
050	H209032118	ŞİM	SHIM	2					A=1,15
050	H209032119	ŞİM	SHIM	2					A=1,20
050	H209032120	ŞİM	SHIM	2					A=1,25
050	H209032121	ŞİM	SHIM	2					A=1,30
050	H209032122	ŞİM	SHIM	2					A=1,35
050	H209032123	ŞİM	SHIM	2					A=1,40
050	H209032124	ŞİM	SHIM	2					A=1,45
050	H209032125	ŞİM	SHIM	2					A=1,50
050	H209032126	ŞİM	SHIM	2					A=1,55
050	H209032127	ŞİM	SHIM	2					A=1,60
050	H209032128	ŞİM	SHIM	2					A=1,65
050	H209032129	ŞİM	SHIM	2					A=2,00
050	H209032130	ŞİM	SHIM	2					A=1,47
050	H209032131	ŞİM	SHIM	2					A=1,63
050	H209032132	ŞİM	SHIM	2					A=1,75
050	H209032133	ŞİM	SHIM	2					A=1,70
050	H209032134	ŞİM	SHIM	2					A=1,80
050	H209032135	ŞİM	SHIM	2					A=1,85
050	H209032136	ŞİM	SHIM	2					A=1,90
050	H209032137	ŞİM	SHIM	2					A=1,95
100	H209032138A	BİLYELİ RULMAN	ROLLER BEARING	2					
120	H209032139	O-RİNG	O-RING	2					224x3
130	H209032140	CIVATA	HEXAGON SCREW	32					M18x60
240	H209032273	TAPA	SCREW PLUG	1					M36x1,5
240/020	H209032143	O-RİNG	O-RING	1					33x2,2
250	H209032274	TAPA	SCREW PLUG	1					
250/020	H209032143	O-RİNG	O-RING	1					33x2,2

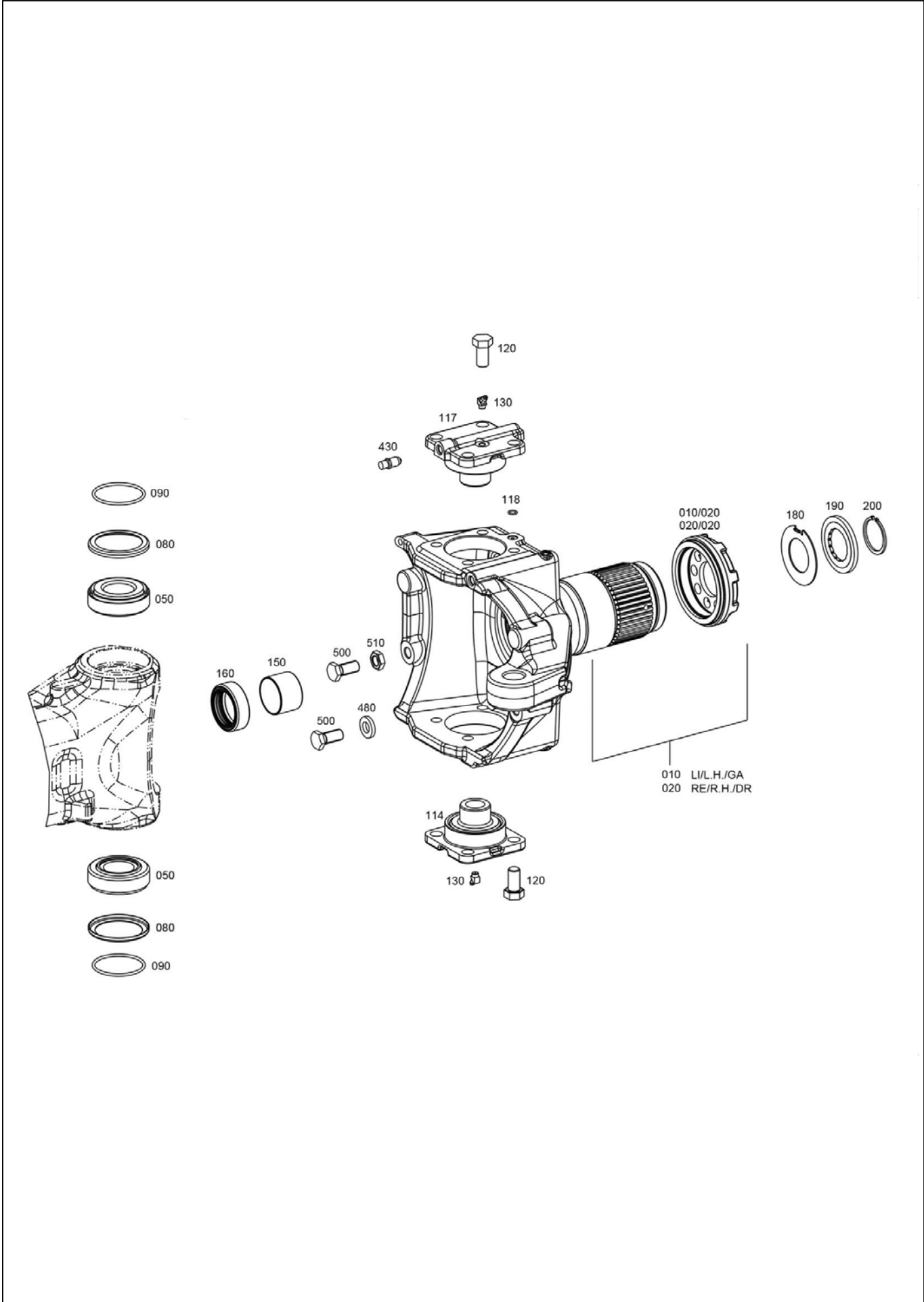
# ÖN AKS, AKS KOVANI FRONT AXLE, AXLE CASING



**ÖN AKS, AKS KOVANI  
FRONT AXLE, AXLE CASING**

No	Parça No	Parça Adı		Adet	S.K.	Bas.S.N	Bit.S.N	Y.K.	Not
No	Part no	Description		Qty	SC	S/N from	S/N to	ICA	Note
0	H209032264A	AKS KOVANI KOMPLESİ	AXLE CASING	1					
010	H209032146A	AKS KOVANI	AXLE BRACKET	2					
030	H209032147	GÖVDE, DİFERANSİYEL	AXLE DRIVE HOUSING	1					
340	H209032148A	BURÇ	BUSH	2					
350	H209032149A	KEÇE, ŞAFT	SHAFT SEAL	2					
390	H209032150A	BURÇ	CLAMPING BUSH	4					
450	H209032151A	AKS MİLİ KOMPLESİ	UNIVERSAL SHAFT	2					
450/010	H209032152A	AKS MİLİ KOMPLESİ, SOL	UNIVERSAL SHAFT	1					
450/020	H209032153A	AKS MİLİ KOMPLESİ, SAĞ	UNIVERSAL SHAFT	1					
450/030	H209032154A	İSTAVROZ	JOINT CROSS	2					
450/040	H209032155A	MERKEZLEME PARÇASI	CENTRAL PIECE	1					
550	H209032156	ROD KOLU	TIE ROD	1					LINKS
550/010	H209032157	KÜRESEL MAFSAL	BALL JOINT	1					
550/020	H209032158A	EKSENEL MAFSAL	AXIAL JOINT	1					
550/030	H209032159	SOMUN	HEXAGON NUT	1					M28x1,5
560	H209032160	ROD KOLU	TIE ROD	1					
560/010	H209032161	KÜRESEL MAFSAL	BALL JOINT	1					
560/020	H209032158A	EKSENEL MAFSAL	AXIAL JOINT	1					
560/030	H209032159	SOMUN	HEXAGON NUT	1					M28x1,5
570	H209032163	SOMUN	LOCKING NUT	2					M27x1,5

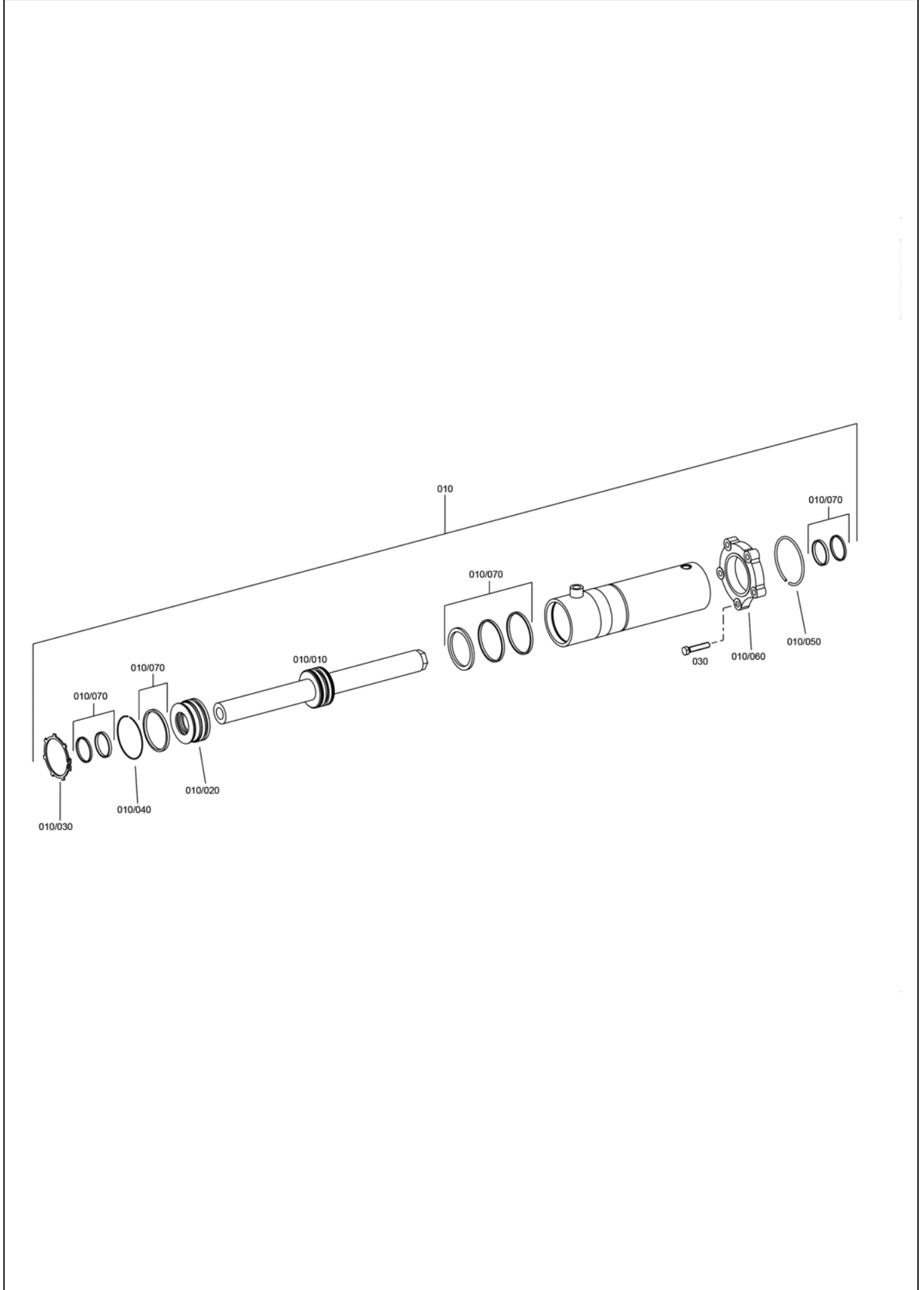
# ÖN AKS, AKS BAŞI FRONT AXLE, JOINT HOUSING



**ÖN AKS, AKS BAŞI**  
**FRONT AXLE, JOINT HOUSING**

No	Parça No	Parça Adı	Adet	S.K.	Bas.S.N	Bit.S.N	Y.K.	Not
No	Part no	Description	Qty	SC	S/N from	S/N to	ICA	Note
0	H209032265A	AKS BAŞI KOMPLESİ	1					
010	H209032164A	AKS BAŞI KOMPLESİ	1					
010	H209032275	AKS BAŞI KOMPLESİ	1					
010/020	H209032165A	SOMUN	1					
020	H209032166A	AKS BAŞI KOMPLESİ	1					
020	H209032276	AKS BAŞI KOMPLESİ	1					
020/020	H209032165A	SOMUN	1					
050	H209032167A	RULMAN	4					
080	H209032168A	KAPAK	4					
090	H209032277	O-RİNG	4					
114	H209032278	PİM	2					
117	H209032279	PİM	2					
118	H209032171	O-RİNG	2					
120	H209032172A	KÖR TAPA	16					
130	H209032174A	GRESÖRLÜK	4					
150	H209032148A	BURÇ	2					
160	H209032149A	KEÇE, ŞAFT	2					
180	H209032175A	BASKI PULU	2					
190	H209032176A	BASKI PULU	2					
200	H209032177A	SEGMAN	2					
430	H209032179	HAVALANDIRMA TAPASI	2					
480	H209032281	PUL	2	K2				A=2,0
480	H209032282	PUL	2	K2				A=3,0
480	H209032283	PUL	2	K2				A=4,0
480	H209032284	PUL	2	K2				A=5,0
480	H209032182	PUL	2	K2				A=6,0
480	H209032183	PUL	2	K2				A=6,5
480	H209032285	PUL	2	K2				A=7,0
480	H209032286	PUL	2	K2				A=7,5
480	H209032190	PUL	2	K2				A=8,0
480	H209032287	PUL	2	K2				A=8,5
480	H209032191	PUL	2	K2				A=9,0
480	H209032288	PUL	2	K2				A=9,5
480	H209032192	PUL	2	K2				S=10,0
480	H209032289	PUL	2	K2				A=10,5
480	H209032193	PUL	2	K2				A=11,0
480	H209032290	PUL	2	K2				A=11,5
480	H209032194	PUL	2	K2				A=12,0
480	H209032291	PUL	2	K2				A=12,5
480	H209032195	PUL	2	K2				A=13,0
480	H209032292	PUL	2	K2				A=13,5
480	H209032196	PUL	2	K2				A=14,0
480	H209032293	PUL	2	K2				A=1,5
480	H209032294	PUL	2	K2				A=1,3
480	H209032295	PUL	2	K2				A=1,2
480	H209032296	PUL	2	K2				A=1,0
500	H209032197	CIVATA	4	K2				M18x40
510	H209032198	SOMUN	2	K2				M18
K2	H209032266	AKS BAŞI KOMPLESİ	1					

# ÖN AKS, DİREKSİYON SİLİNDİRİ FRONT AXLE, STEERING CYLINDER

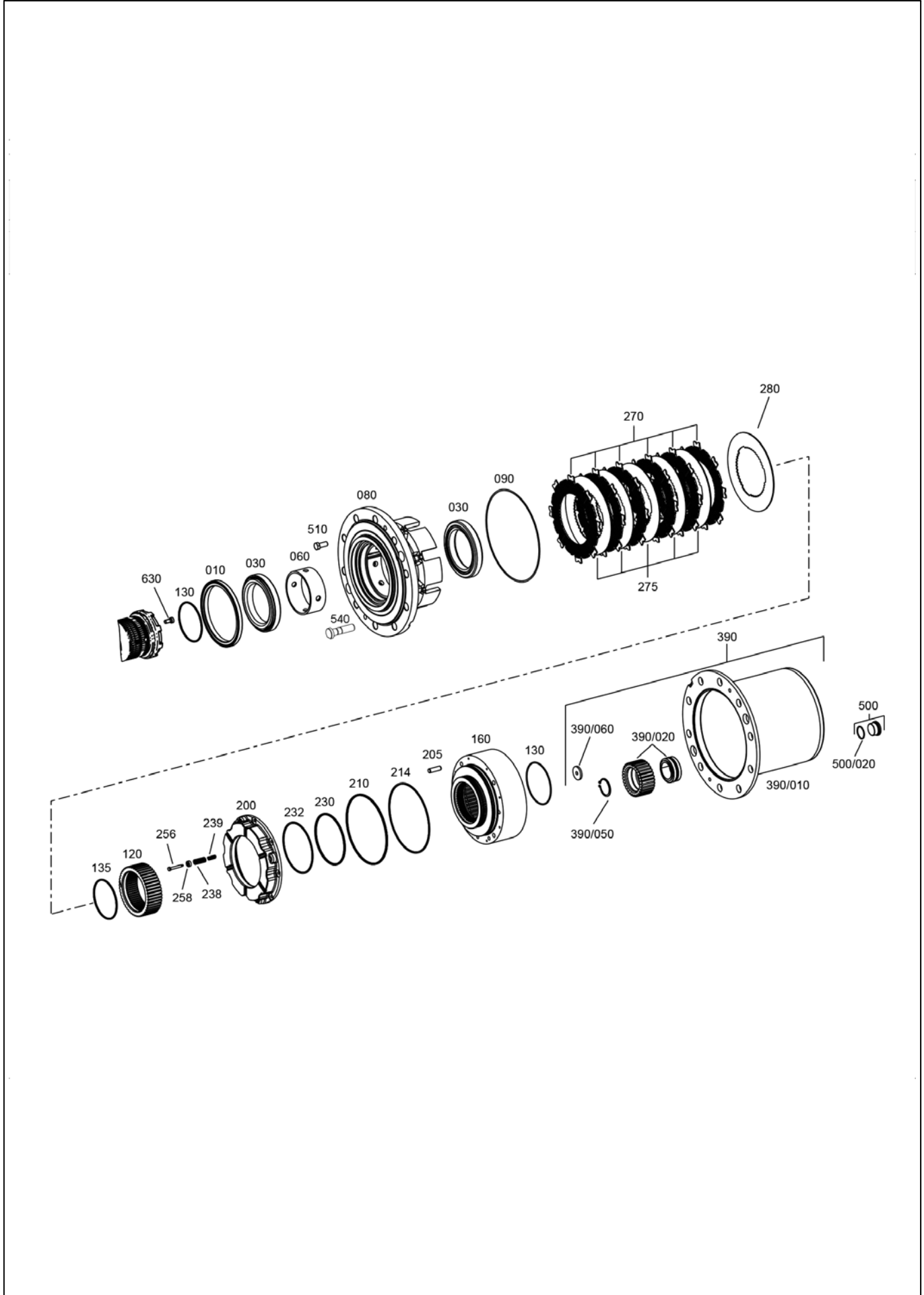




**ÖN AKS, DİREKSİYON SİLİNDİRİ  
FRONT AXLE, STEERING CYLINDER**

No	Parça No	Parça Adı	Adet	S.K.	Bas.S.N	Bit.S.N	Y.K.	Not
No	Part no	Description	Qty	SC	S/N from	S/N to	ICA	Note
0	H209032267	DİREKSİYON SİLİNDİRİ KOMPLESİ	1					
010	H209032199A	DİREKSİYON SİLİNDİRİ KOMPLESİ	1					
010/010	H209032200	SİLİNDİR MİLİ	1					
010/020	H209032201A	FREN KAFASI	1					
010/030	H209032202	SEGMAN	1					
010/040	H209032203	SEGMAN	1					
010/050	H209032204	SEGMAN	1					
010/060	H209032205	FLANŞ	1					
010/070	H209032297	KEÇE KİTİ	1					
030	H209032207	CIVATA	5		M12x60			

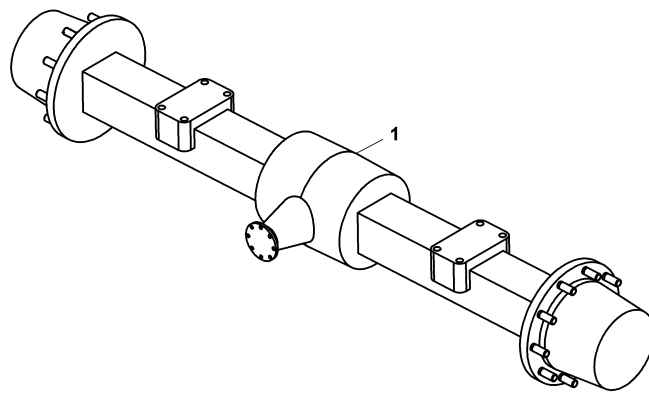
### ÖN AKS, PLANET DİŞLİ GRUBU FRONT AXLE, OUTPUT



**ÖN AKS, PLANET DİŞLİ GRUBU**  
**FRONT AXLE, OUTPUT**

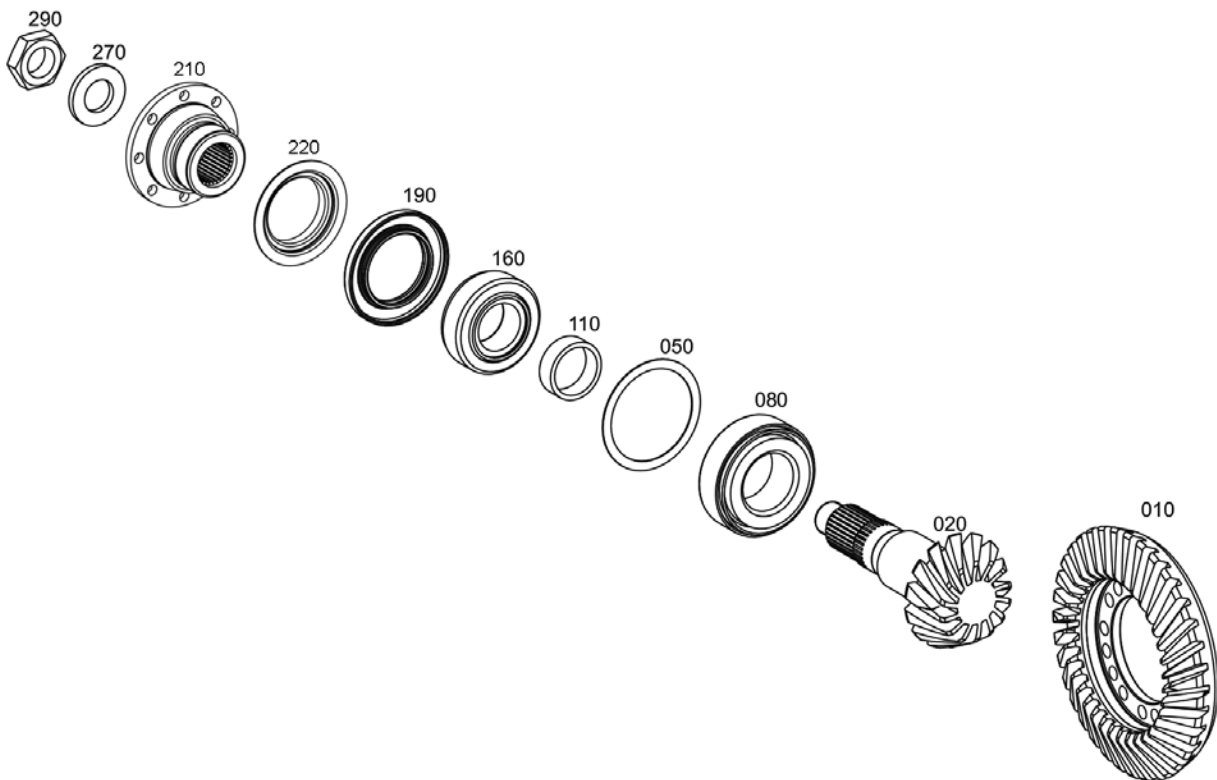
No	Parça No	Parça Adı		Adet	S.K.	Bas.S.N	Bit.S.N	Y.K.	Not
No	Part no	Description		Qty	SC	S/N from	S/N to	ICA	Note
0	H209032268A	ÇIKIŞ KOMPLESİ	OUTPUT	1					
010	H209032298	KEÇE, ŞAFT	SHAFT SEAL	2					
030	H209032209A	RULMAN	TAPERED ROLLER BEARING	4					
060	H209032299	BURÇ	SPACER BUSHING	2					
080	H209032211A	POYRA	HUB	2					
090	H209032212	O-RİNG	O-RING	2					
120	H209032213A	DİSK TAŞIYICI	DISC CARRIER	2					
130	H209032214A	O-RİNG	O-RING	4					
135	H209032215A	O-RİNG	O-RING	2					
160	H209032216A	YÖRÜNGE DİŞLİ	RING GEAR	2					
200	H209032217A	PİSTON	PISTON	2					
205	H209032218A	PİM	CYLINDRICAL PIN	6					
210	H209032219A	BİLEZİK	SLOTTED RING	2					
214	H209032220A	BİLEZİK	SUPPORT RING	2					
230	H209032221A	BİLEZİK	SLOTTED RING	2					
232	H209032222A	BİLEZİK	SUPPORT RING	2					
238	H209032223	YAY	COMPRESSION SPRING	12					
239	H209032224	YAY	COMPRESSION SPRING	12					
256	H209032225	CIVATA	HEXAGON SCREW	12					
258	H209032226	YAY	SPRING SLEEVE	12					
270	H209032227A	KAVRAMA DİSKİ	OUTER CLUTCH DISC	12					
275	H209032300	KAVRAMA BALATASI	INNER CLUTCH DISC	12					
280	H209032301	KAVRAMA BALATASI	INNER CLUTCH DISC	4					A=2,00*Z=48
280	H209032302	KAVRAMA BALATASI	INNER CLUTCH DISC	4					A=3,00*Z=48
280	H209032300	KAVRAMA BALATASI	INNER CLUTCH DISC	4					A=2,50*Z=48
390	H209032304	PLANET TAŞIYICI	PLANET CARRIER	2					
390/010	H209032235A	PLANET TAŞIYICI	PLANET CARRIER	1					
390/020	H209032236A	PLANET DİŞLİ	PLANETARY GEAR	3					
390/020	H209032305	PLANET DİŞLİ	PLANETARY GEAR	1					
390/050	H209032238A	SEGMAN	CIRCLIP	3					50x2
390/060	H209032306	BASKI PULU	THRUST WASHER	1					
500	H209032273	TAPA	SCREW PLUG	2					M36x1,5
500/020	H209032143	O-RİNG	O-RING	1					33x2,2
510	H209032240	CIVATA	HEXAGON SCREW	4					M12x30
540	H209032242A	SAPLAMA	WHEEL STUD	20	K3				M22x1,5
630	S0643116	CIVATA	CAP SCREW	2					M10x20
K3	H209032269	ÇIKIŞ KOMPLESİ	OUTPUT	1					

**ARKA AKS  
REAR AXLE**





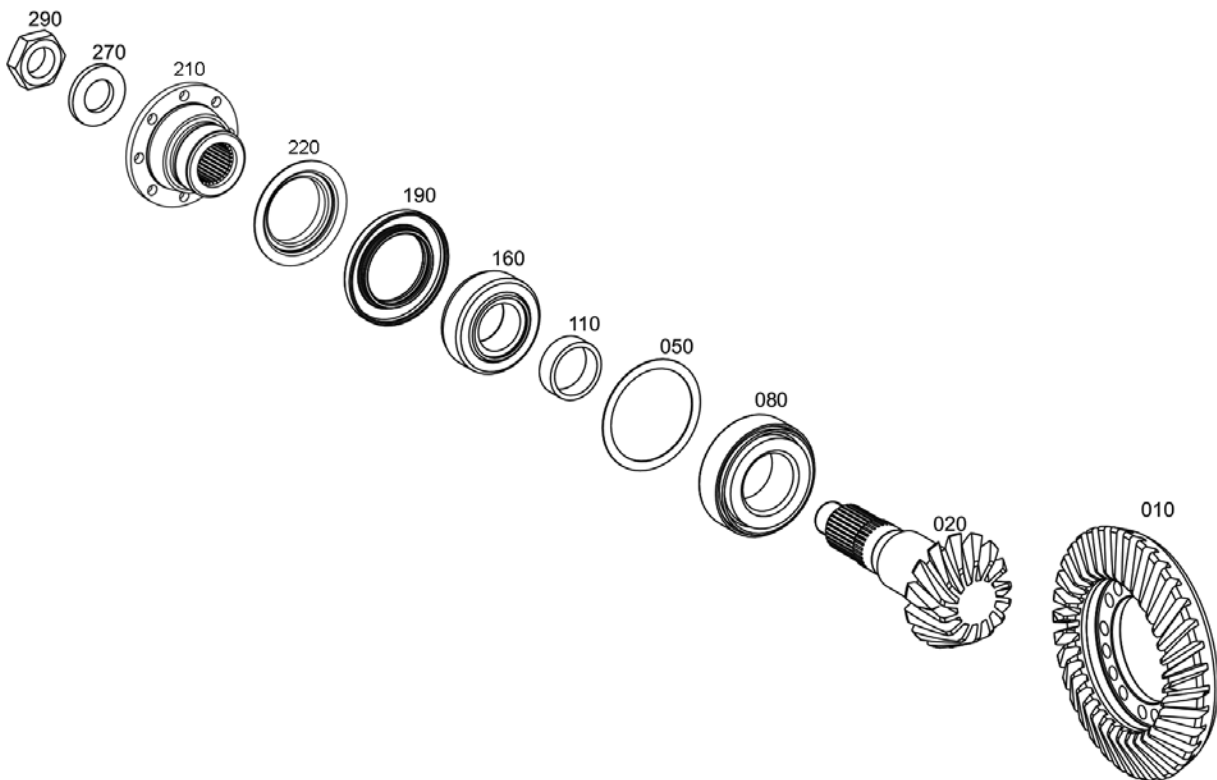
### ARKA AKS, AYNA MAHRUTİ REAR AXLE, INPUT



**ARKA AKS, AYNA MAHRUTİ**  
**REAR AXLE, INPUT**

No	Parça No	Parça Adı	Adet	S.K.	Bas.S.N	Bit.S.N	Y.K.	Not
No	Part no	Description	Qty	SC	S/N from	S/N to	ICA	Note
0	H209032260	GİRİŞ KOMPLESİ	1					
010	H209032001A	AYNA DIŞLI	1					
020	H209032002A	MAHRUTİ DIŞLI	1					
050	H209032003	ŞİM	1					
050	H209032004	ŞİM	1					S=2,0
050	H209032005	ŞİM	1					S=1,8
050	H209032006	ŞİM	1					S=1,5
050	H209032007	ŞİM	1					S=1,2
050	H209032008	ŞİM	1					S=1,9
050	H209032009	ŞİM	1					S=1,7
050	H209032010	ŞİM	1					S=1,6
050	H209032011	ŞİM	1					S=1,4
050	H209032012	ŞİM	1					S=1,3
050	H209032013	ŞİM	1					S=1,0
050	H209032014	ŞİM	1					S=0,9
050	H209032015	ŞİM	1					S=0,8
050	H209032016	ŞİM	1					S=0,7
050	H209032017	ŞİM	1					S=0,6
050	H209032018	ŞİM	1					S=0,5
050	H209032019	ŞİM	1					S=0,3
050	H209032020	ŞİM	1					S=0,2
050	H209032021	ŞİM	1					S=0,1
050	H209032022	ŞİM	1					S=0,75
050	H209032023	ŞİM	1					S=0,65
050	H209032024	ŞİM	1					S=1,25
050	H209032025	ŞİM	1					S=1,35
050	H209032026	ŞİM	1					S=1,45
050	H209032027	ŞİM	1					S=1,55
050	H209032028	ŞİM	1					S=1,65
050	H209032029	ŞİM	1					S=1,75
050	H209032030	ŞİM	1					S=1,85
080	H209032031A	RULMAN	1					
110	H209032033	SEGMAN	1					S=16,0
110	H209032034	SEGMAN	1					S=16,1
110	H209032035	SEGMAN	1					S=16,2
110	H209032036	SEGMAN	1					S=16,3
110	H209032037	SEGMAN	1					S=16,4
110	H209032038	SEGMAN	1					S=16,5
110	H209032039	SEGMAN	1					S=16,6
110	H209032040	SEGMAN	1					S=16,7
110	H209032041	SEGMAN	1					S=16,8
110	H209032042	SEGMAN	1					S=16,92
110	H209032043	SEGMAN	1					S=17,10
110	H209032044	SEGMAN	1					S=17,2
110	H209032045	SEGMAN	1					S=17,3
110	H209032046	SEGMAN	1					S=17,4
110	H209032047	SEGMAN	1					S=16,86
110	H209032048	SEGMAN	1					S=16,98
110	H209032049	SEGMAN	1					S=17,04

### ARKA AKS, AYNA MAHRUTİ REAR AXLE, INPUT

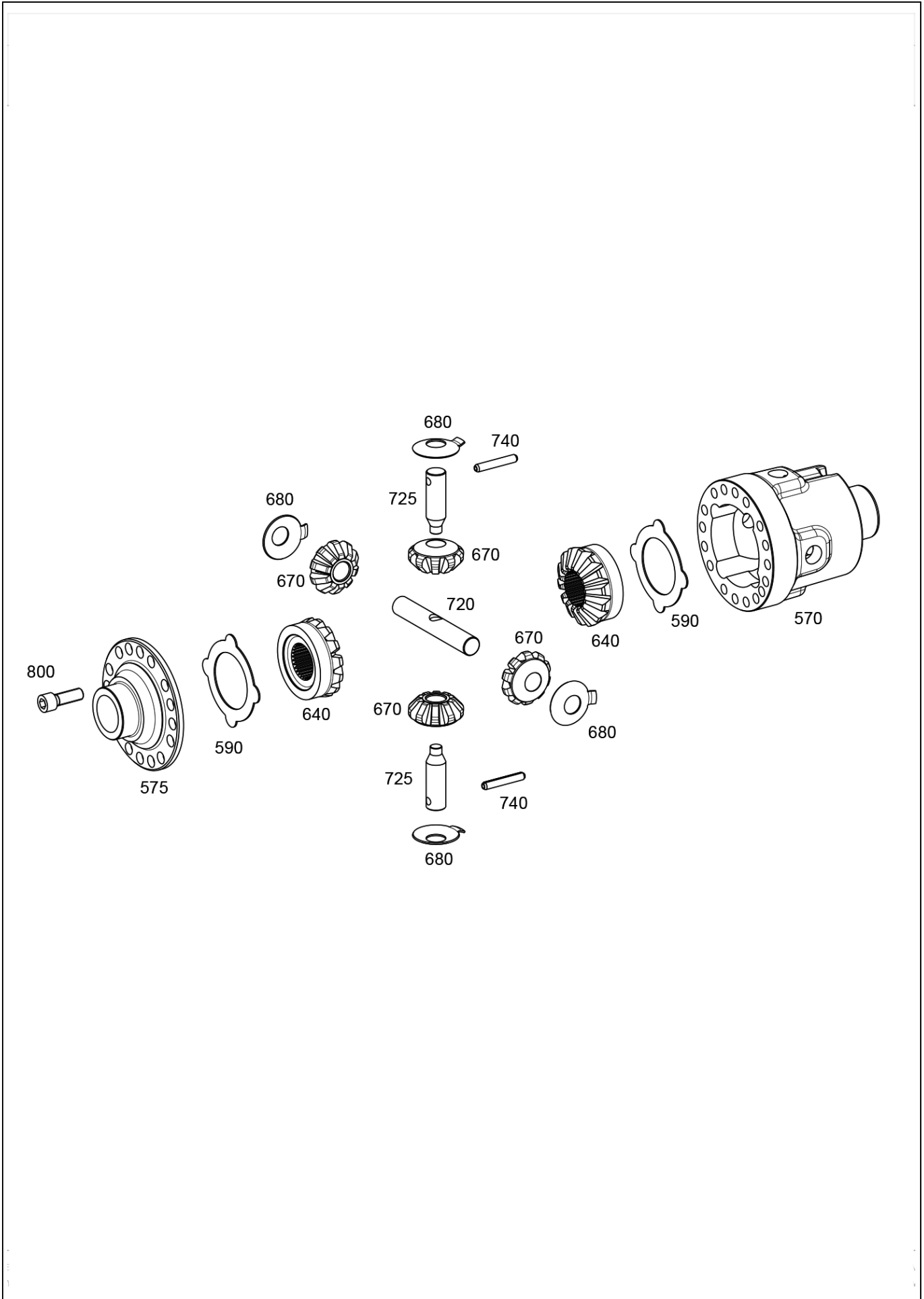




**ARKA AKS, AYNA MAHRUTİ  
REAR AXLE, INPUT**

No	Parça No	Parça Adı		Adet	S.K.	Bas.S.N	Bit.S.N	Y.K.	Not
No	Part no	Description		Qty	SC	S/N from	S/N to	ICA	Note
110	H209032050	SEGMAN	RING	1					A=16,56
110	H209032051	SEGMAN	RING	1					A=16,62
110	H209032052	SEGMAN	RING	1					A=16,64
110	H209032053	SEGMAN	RING	1					A=16,68
110	H209032054	SEGMAN	RING	1					A=16,72
110	H209032055	SEGMAN	RING	1					A=16,74
110	H209032056	SEGMAN	RING	1					A=16,76
110	H209032057	SEGMAN	RING	1					A=16,78
110	H209032058	SEGMAN	RING	1					A=16,82
110	H209032059	SEGMAN	RING	1					A=16,84
110	H209032060	SEGMAN	RING	1					A=16,88
110	H209032061	SEGMAN	RING	1					A=16,9
110	H209032062	SEGMAN	RING	1					A=16,94
110	H209032063	SEGMAN	RING	1					A=16,66
110	H209032064	SEGMAN	RING	1					A=16,96
110	H209032065	SEGMAN	RING	1					A=17,0
110	H209032066	SEGMAN	RING	1					A=17,02
110	H209032067	SEGMAN	RING	1					A=17,06
110	H209032068	SEGMAN	RING	1					A=17,08
110	H209032069	SEGMAN	RING	1					A=17,12
110	H209032070	SEGMAN	RING	1					A=17,14
110	H209032071	SEGMAN	RING	1					A=17,16
110	H209032072	SEGMAN	RING	1					A=17,18
110	H209032073	SEGMAN	RING	1					A=17,22
110	H209032074	SEGMAN	RING	1					A=17,24
110	H209032075	SEGMAN	RING	1					A=17,26
110	H209032076	SEGMAN	RING	1					A=17,28
160	H209032077	BİLYELİ RULMAN	ROLLER BEARING	1					
190	H209032078A	KEÇE, ŞAFT	SHAFT SEAL	1					
210	H209032083A	FLANŞ	INPUT FLANGE	1	K1				
220	H209032084	SÜZGEÇ	SCREEN SHEET	1	K1				
270	H209032079	PUL	WASHER	1					
290	H209032080	SOMUN	HEXAGON NUT	1					BM 30x1,5
K1	H209032261	GİRİŞ	INPUT	1					INPUT

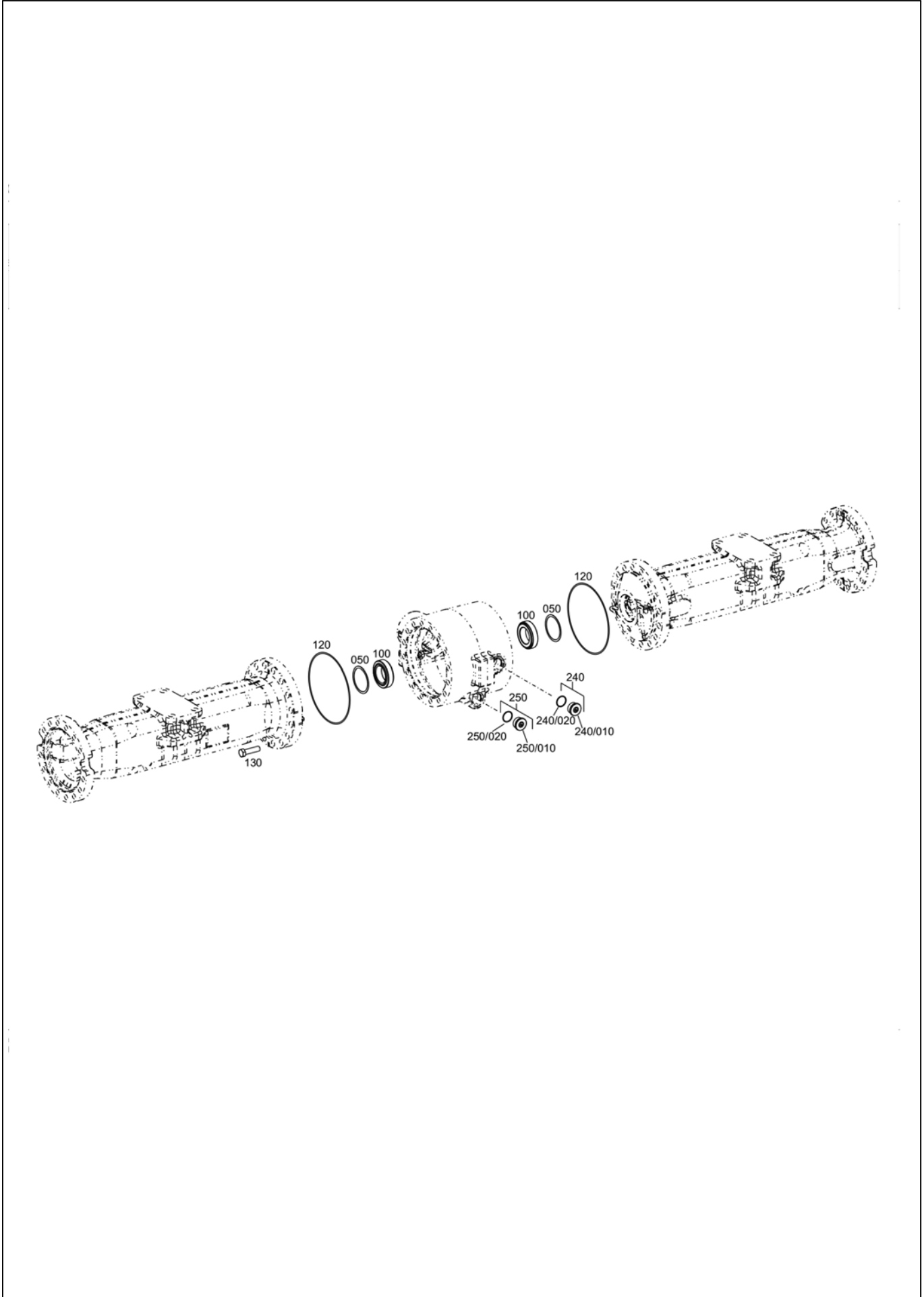
### ARKA AKS, DİFERANSİYEL REAR AXLE, DIFFERENTIAL



**ARKA AKS, DİFERANSİYEL  
REAR AXLE, DIFFERENTIAL**

No	Parça No	Parça Adı		Adet	S.K.	Bas.S.N	Bit.S.N	Y.K.	Not
No	Part no		Description	Qty	SC	S/N from	S/N to	ICA	Note
0	H209032262A	DİFERANSİYEL KOMPLESİ	DIFFERENTIAL	1					
570	H209032085A	GÖVDE, DİFERANSİYEL	DIFFERENTIAL CASE	1					
575	H209032086	KAPAK	COVER	1					
590	H209032088	BASKI PULU	THRUST WASHER	2					
640	H209032089A	DİŞLİ, AKS	AXLE BEVEL GEAR	2					
670	H209032090	DİŞLİ, İSTAVROZ	DIFFERENTIAL BEVEL GEAR	4					
680	H209032091	BASKI PULU	THRUST WASHER	4					
720	H209032092	MİL	DIFFERENTIAL AXLE	1					
725	H209032093A	İSTAVROZ	DIFFERENTIAL AXLE	2					
740	H209032094A	PİM	SLOT. PIN	2					
800	H209032095	CIVATA	CAP SCREW	16					

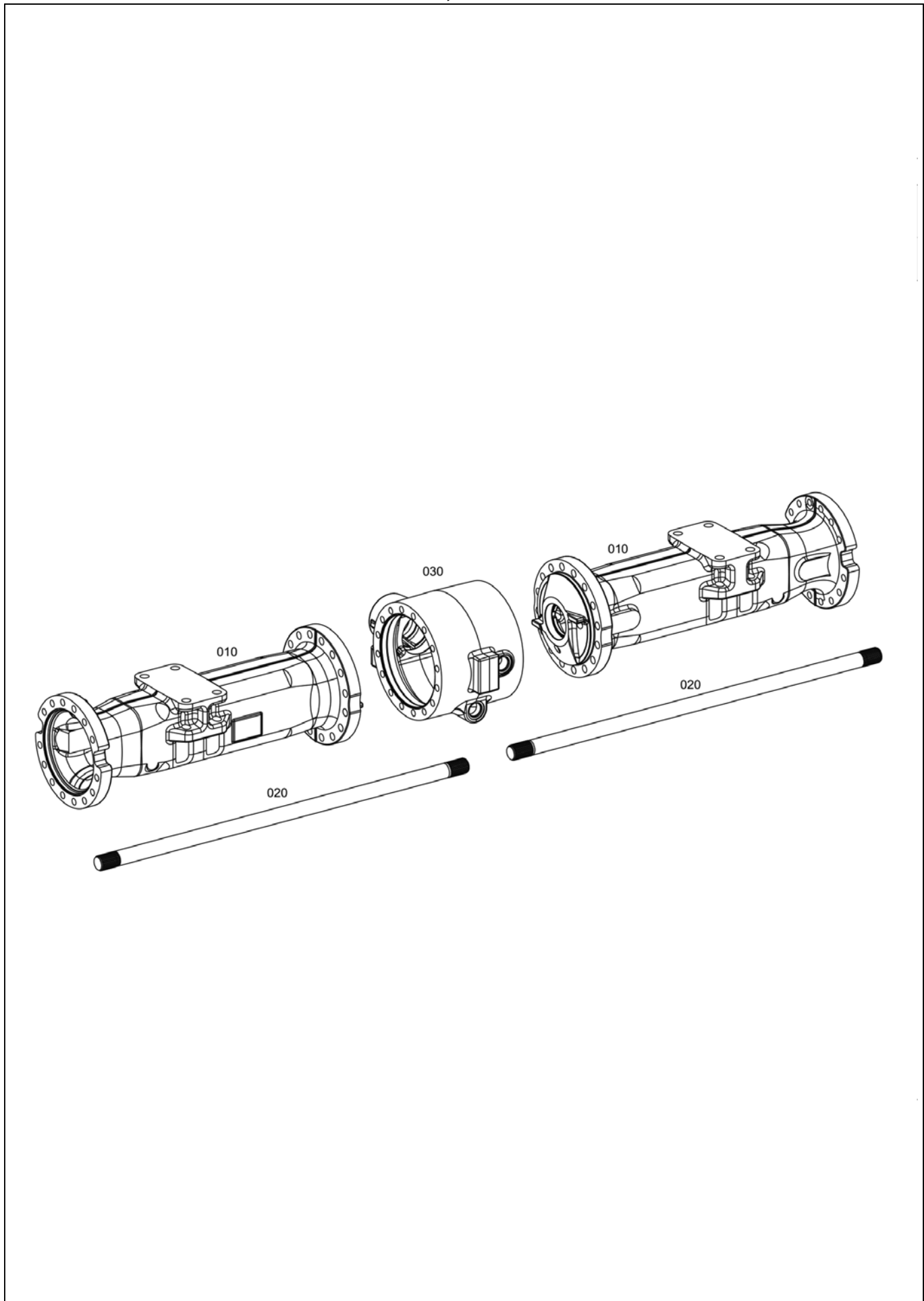
**ARKA AKS, KOVAN PARÇALARI**  
**REAR AXLE, AXLE CASING PARTS**



**ARKA AKS, KOVAN PARÇALARI**  
**REAR AXLE, AXLE CASING PARTS**

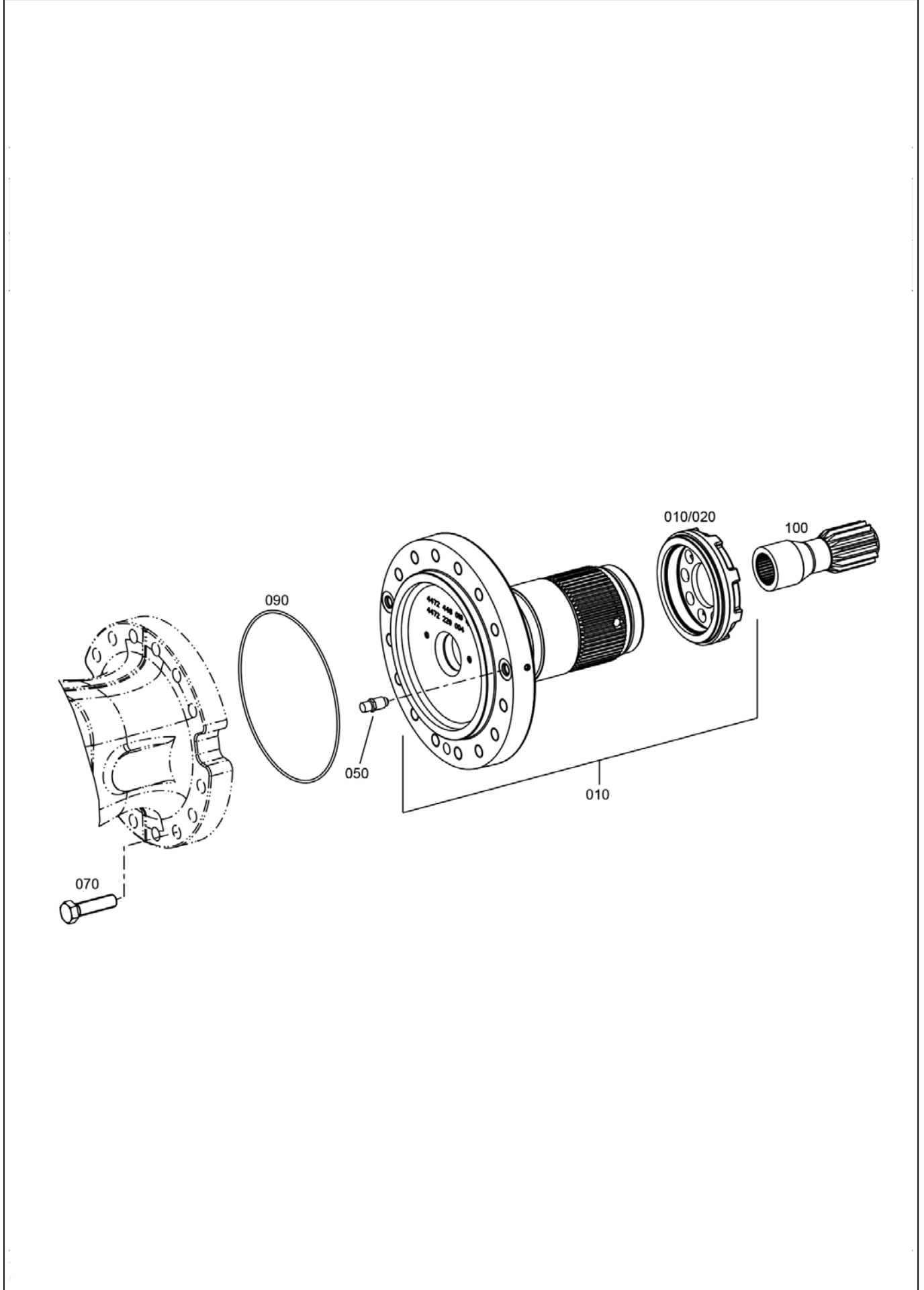
No	Parça No	Parça Adı		Adet	S.K.	Bas.S.N	Bit.S.N	Y.K.	Not
No	Part no	Description		Qty	SC	S/N from	S/N to	ICA	Note
0	H209032263	AKS KOVANI PARÇALARI	AXLE CASING PARTS	1					
050	H209032097	ŞİM	SHIM	2					A=0,10
050	H209032098	ŞİM	SHIM	2					A=0,15
050	H209032099	ŞİM	SHIM	2					A=0,20
050	H209032100	ŞİM	SHIM	2					A=0,25
050	H209032101	ŞİM	SHIM	2					A=0,30
050	H209032102	ŞİM	SHIM	2					A=0,35
050	H209032103	ŞİM	SHIM	2					A=0,4
050	H209032104	ŞİM	SHIM	2					A=0,45
050	H209032105	ŞİM	SHIM	2					A=0,50
050	H209032106	ŞİM	SHIM	2					A=0,55
050	H209032107	ŞİM	SHIM	2					A=0,6
050	H209032108	ŞİM	SHIM	2					A=0,65
050	H209032109	ŞİM	SHIM	2					A=0,70
050	H209032110	ŞİM	SHIM	2					A=0,75
050	H209032111	ŞİM	SHIM	2					A=0,80
050	H209032112	ŞİM	SHIM	2					A=0,85
050	H209032113	ŞİM	SHIM	2					A=0,90
050	H209032114	ŞİM	SHIM	2					A=0,95
050	H209032115	ŞİM	SHIM	2					A=1,00
050	H209032116	ŞİM	SHIM	2					A=1,05
050	H209032117	ŞİM	SHIM	2					A=1,10
050	H209032118	ŞİM	SHIM	2					A=1,15
050	H209032119	ŞİM	SHIM	2					A=1,20
050	H209032120	ŞİM	SHIM	2					A=1,25
050	H209032121	ŞİM	SHIM	2					A=1,30
050	H209032122	ŞİM	SHIM	2					A=1,35
050	H209032123	ŞİM	SHIM	2					A=1,40
050	H209032124	ŞİM	SHIM	2					A=1,45
050	H209032125	ŞİM	SHIM	2					A=1,50
050	H209032126	ŞİM	SHIM	2					A=1,55
050	H209032127	ŞİM	SHIM	2					A=1,60
050	H209032128	ŞİM	SHIM	2					A=1,65
050	H209032129	ŞİM	SHIM	2					A=2,00
050	H209032130	ŞİM	SHIM	2					A=1,47
050	H209032131	ŞİM	SHIM	2					A=1,63
050	H209032132	ŞİM	SHIM	2					A=1,75
050	H209032133	ŞİM	SHIM	2					A=1,70
050	H209032134	ŞİM	SHIM	2					A=1,80
050	H209032135	ŞİM	SHIM	2					A=1,85
050	H209032136	ŞİM	SHIM	2					A=1,90
050	H209032137	ŞİM	SHIM	2					A=1,95
100	H209032138A	BİLYELİ RULMAN	ROLLER BEARING	2					
120	H209032139	O-RİNG	O-RING	2					224x3
130	H209032140	CIVATA	HEXAGON SCREW	32					M18x60
240	H209032273	TAPA	SCREW PLUG	1					M36x1,5
240/020	H209032143	O-RİNG	O-RING	1					33x2,2
250	H209032274	TAPA	SCREW PLUG	1					
250/020	H209032143	O-RİNG	O-RING	1					33x2,2

**REAR AKS, AKS KOVANI**  
**REAR AXLE, AXLE CASING**



**REAR AKS, AKS KOVANI  
REAR AXLE, AXLE CASING**

No	Parça No	Parça Adı		Adet	S.K.	Bas.S.N	Bit.S.N	Y.K.	Not
No	Part no		Description	Qty	SC	S/N from	S/N to	ICA	Note
0	H209032271A	ARKA AKS, AKS KOVANI	REAR AXLE, AXLE CASING	1					
010	H209032244A	AKS KOVANI	AXLE CASING	2					
020	H209032245A	AKS MİLİ	STUB SHAFT	2					
030	H209032246	GÖVDE, DİFERANSİYEL	AXLE DRIVE HOUSING	1					

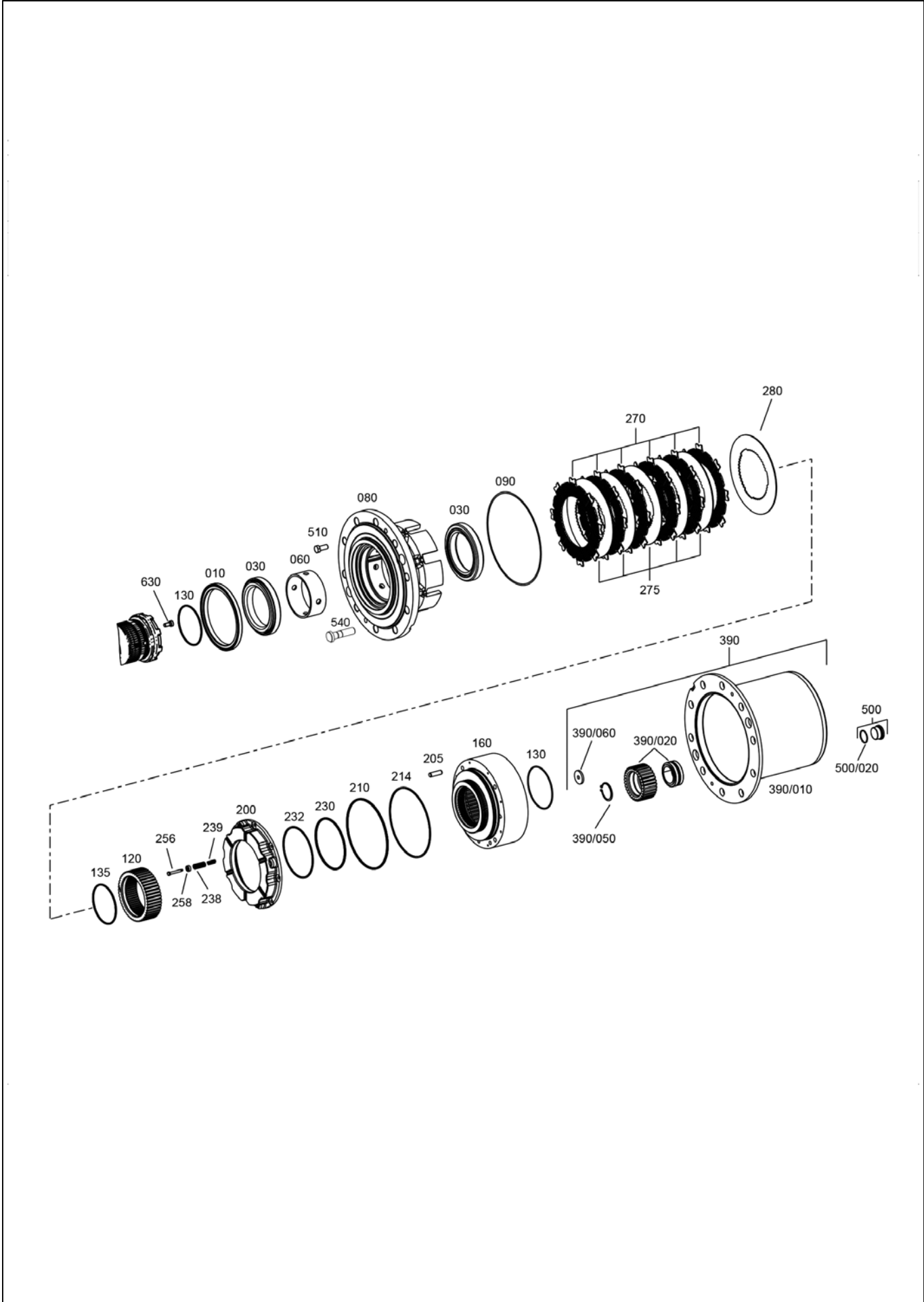
**ARKA AKS, DİŞLİ VE TAŞIYICI GRUBU**  
**REAR AXLE, HUB CARRIER**



**ARKA AKS, DİŐLİ VE TAŐIYICI GRUBU  
REAR AXLE, HUB CARRIER**

No	Parça No	Parça Adı		Adet	S.K.	Bas.S.N	Bit.S.N	Y.K.	Not
No	Part no		Description	Qty	SC	S/N from	S/N to	ICA	Note
0	H209032272A	ARKA AKS, DİŐLİ VE TAŐIYICI GRUBU	REAR AXLE, HUB CARRIER	1					
010	H209032247A	POYRA TAŐIYICI	HUB CARRIER	2					
010	H209032308	POYRA TAŐIYICI	HUB CARRIER	1					
010/020	H209032165A	SOMUN	SLOTTED NUT	1					
050	H209032179	HAVALANDIRMA TAPASI	VENT VALVE	2					
070	H209032249	CIVATA	HEXAGON SCREW	28		M16x60			
090	H209032250	O-RİNG	O-RING	2		185x3			
100	H209032251A	ŐAFT, GÜNEŐ DİŐLİ	SUN GEAR SHAFT	2					

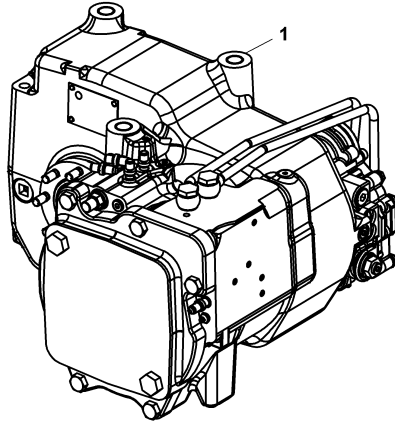
### ARKA AKS, PLANET DİŞLİ GRUBU REAR AXLE, OUTPUT



**ARKA AKS, PLANET DİŞLİ GRUBU**  
**REAR AXLE, OUTPUT**

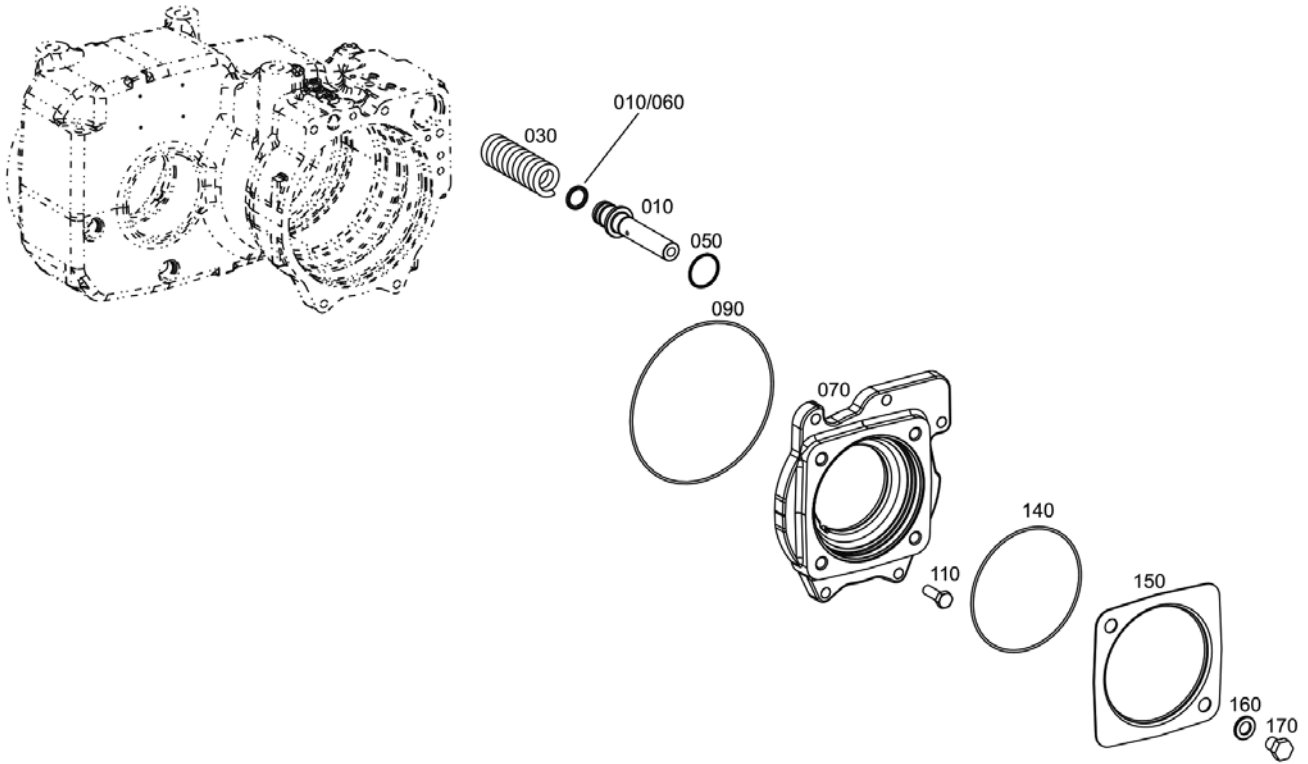
No	Parça No	Parça Adı		Adet	S.K.	Bas.S.N	Bit.S.N	Y.K.	Not
No	Part no	Description		Qty	SC	S/N from	S/N to	ICA	Note
0	H209032268A	ÇIKIŞ KOMPLESİ	OUTPUT	1					
010	H209032298	KEÇE, ŞAFT	SHAFT SEAL	2					
030	H209032209A	RULMAN	TAPERED ROLLER BEARING	4					
060	H209032299	BURÇ	SPACER BUSHING	2					
080	H209032211A	POYRA	HUB	2					
090	H209032212	O-RİNG	O-RING	2					
120	H209032213A	DİSK TAŞIYICI	DISC CARRIER	2					
130	H209032214A	O-RİNG	O-RING	4					
135	H209032215A	O-RİNG	O-RING	2					
160	H209032216A	YÖRÜNGE DİŞLİ	RING GEAR	2					
200	H209032217A	PİSTON	PISTON	2					
205	H209032218A	PİM	CYLINDRICAL PIN	6					
210	H209032219A	BİLEZİK	SLOTTED RING	2					
214	H209032220A	BİLEZİK	SUPPORT RING	2					
230	H209032221A	BİLEZİK	SLOTTED RING	2					
232	H209032222A	BİLEZİK	SUPPORT RING	2					
238	H209032223	YAY	COMPRESSION SPRING	12					
239	H209032224	YAY	COMPRESSION SPRING	12					
256	H209032225	CIVATA	HEXAGON SCREW	12					
258	H209032226	YAY	SPRING SLEEVE	12					
270	H209032227A	KAVRAMA DİSKİ	OUTER CLUTCH DISC	12					
275	H209032300	KAVRAMA BALATASI	INNER CLUTCH DISC	12					
280	H209032301	KAVRAMA BALATASI	INNER CLUTCH DISC	4					A=2,00*Z=48
280	H209032302	KAVRAMA BALATASI	INNER CLUTCH DISC	4					A=3,00*Z=48
280	H209032300	KAVRAMA BALATASI	INNER CLUTCH DISC	4					A=2,50*Z=48
390	H209032304	PLANET TAŞIYICI	PLANET CARRIER	2					
390/010	H209032235A	PLANET TAŞIYICI	PLANET CARRIER	1					
390/020	H209032236A	PLANET DİŞLİ	PLANETARY GEAR	3					
390/020	H209032305	PLANET DİŞLİ	PLANETARY GEAR	1					
390/050	H209032238A	SEGMAN	CIRCLIP	3					50x2
390/060	H209032306	BASKI PULU	THRUST WASHER	1					
500	H209032273	TAPA	SCREW PLUG	2					M36x1,5
500/020	H209032143	O-RİNG	O-RING	1					33x2,2
510	H209032240	CIVATA	HEXAGON SCREW	4					M12x30
540	H209032242A	SAPLAMA	WHEEL STUD	20	K3				M22x1,5
630	S0643116	CIVATA	CAP SCREW	2					M10x20
K3	H209032269	ÇIKIŞ KOMPLESİ	OUTPUT	1					

**ŞANZIMAN  
TRANSMISSION**





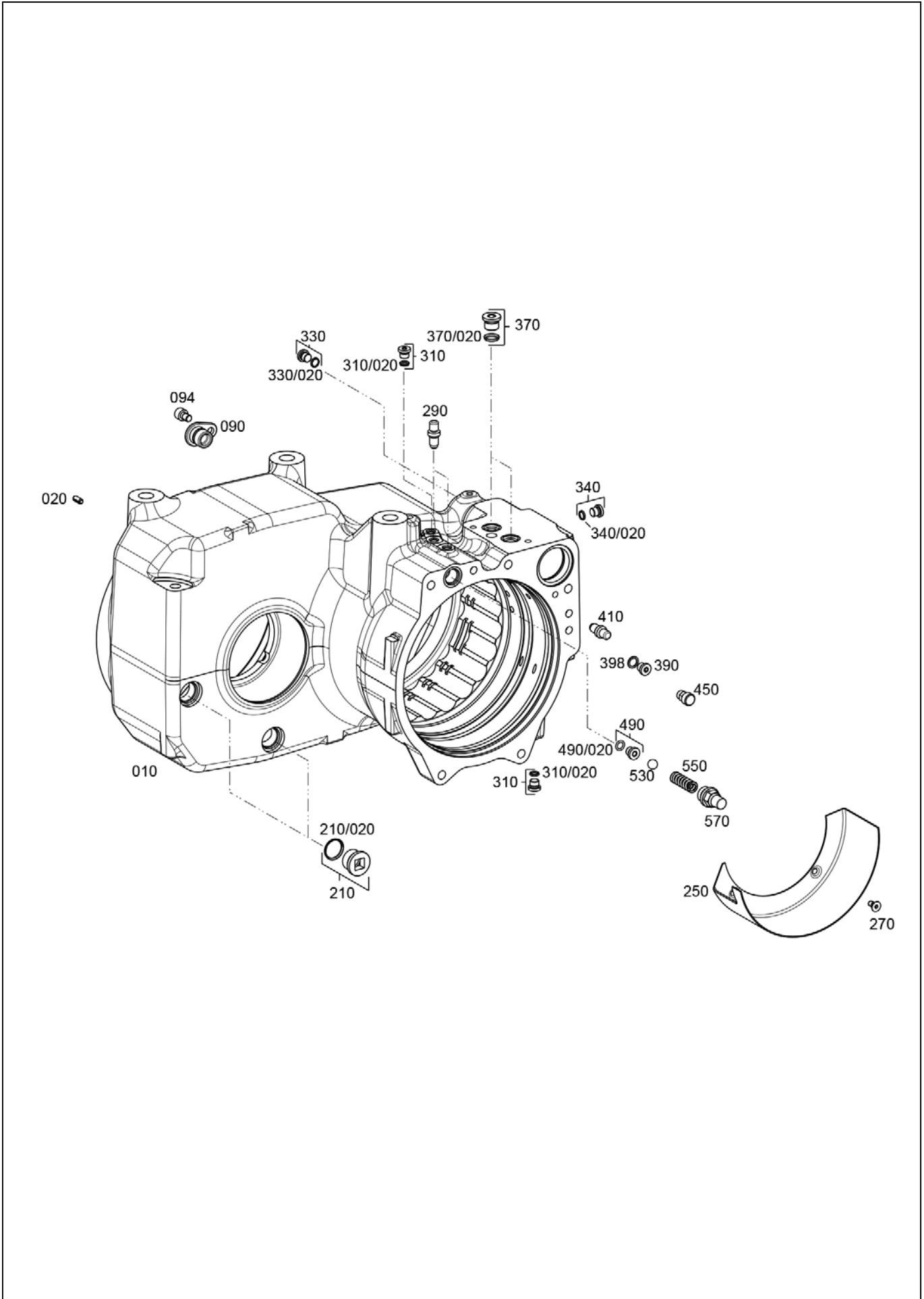
**ŞANZIMAN, TAHRİK GÖVDESİ**  
**TRANSMISSION, INPUT HOUSING**



**ŞANZIMAN, TAHRİK GÖVDESİ  
TRANSMISSION, INPUT HOUSING**

No	Parça No	Parça Adı		Adet	S.K.	Bas.S.N	Bit.S.N	Y.K.	Not
No	Part no		Description	Qty	SC	S/N from	S/N to	ICA	Note
010	H239025251	PİSTON	PISTON	1					
010/060	H209025001	CONTA	GASKET	1					
030	H239025252	YAY	COMPRESSION SPRING	1					
050	H239025253	O-RİNG	O-RING	1					
070	H209025002	GÖVDE, TAHRİK	INPUT HOUSING	1					
090	H239025255	O-RİNG	O-RING	1					
110	H239025256	CIVATA	BOLT	5					
140	H209025003	O-RİNG	O-RING	1					
150	H209025004	KAPAK	COVER	1					
160	H239025259	PUL	WASHER	2					
170	H209025005	CIVATA	BOLT	2					

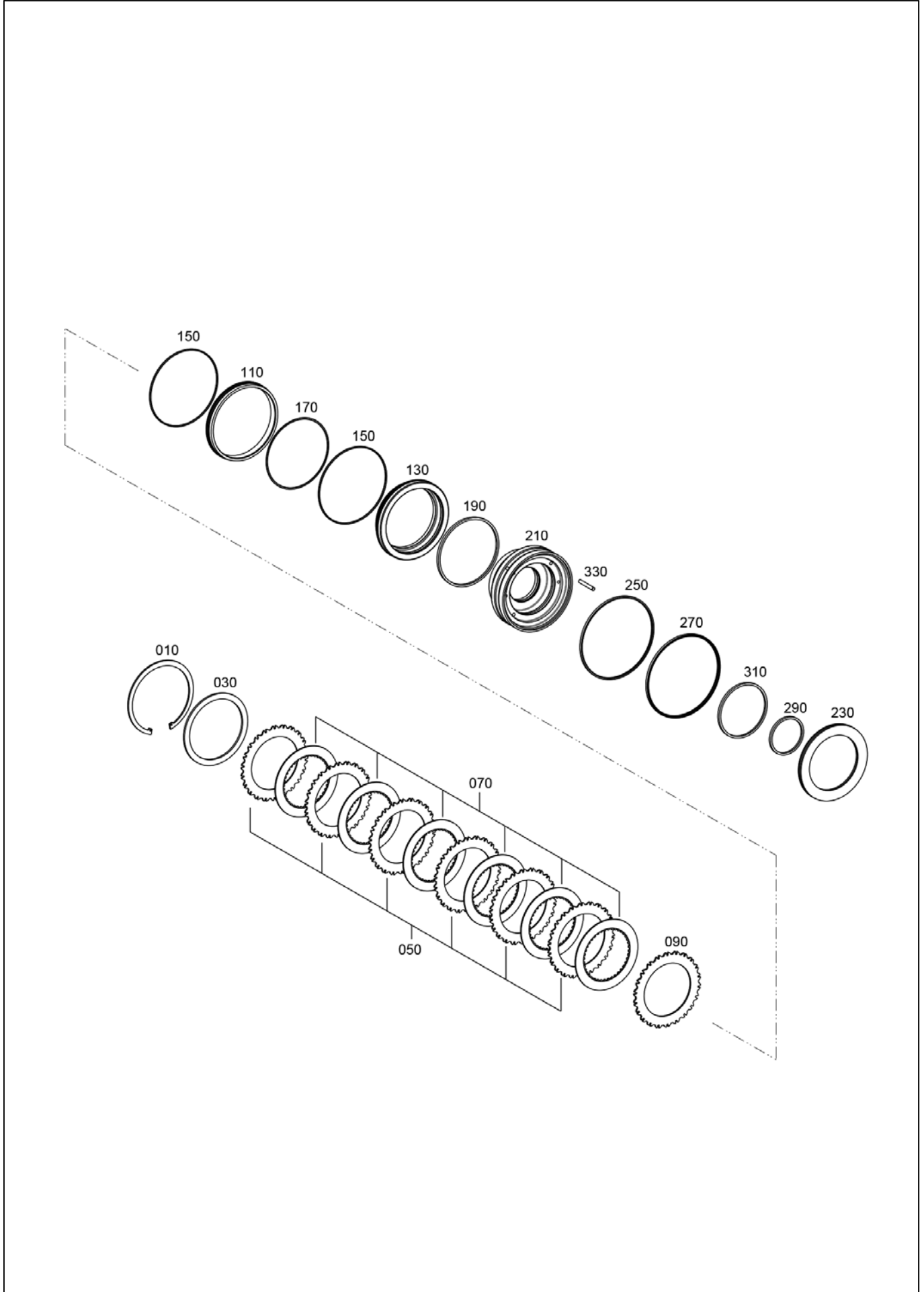
ŞANZIMAN, GÖVDE  
TRANSMISSION, HOUSING





**ŞANZIMAN, GÖVDE  
TRANSMISSION, HOUSING**

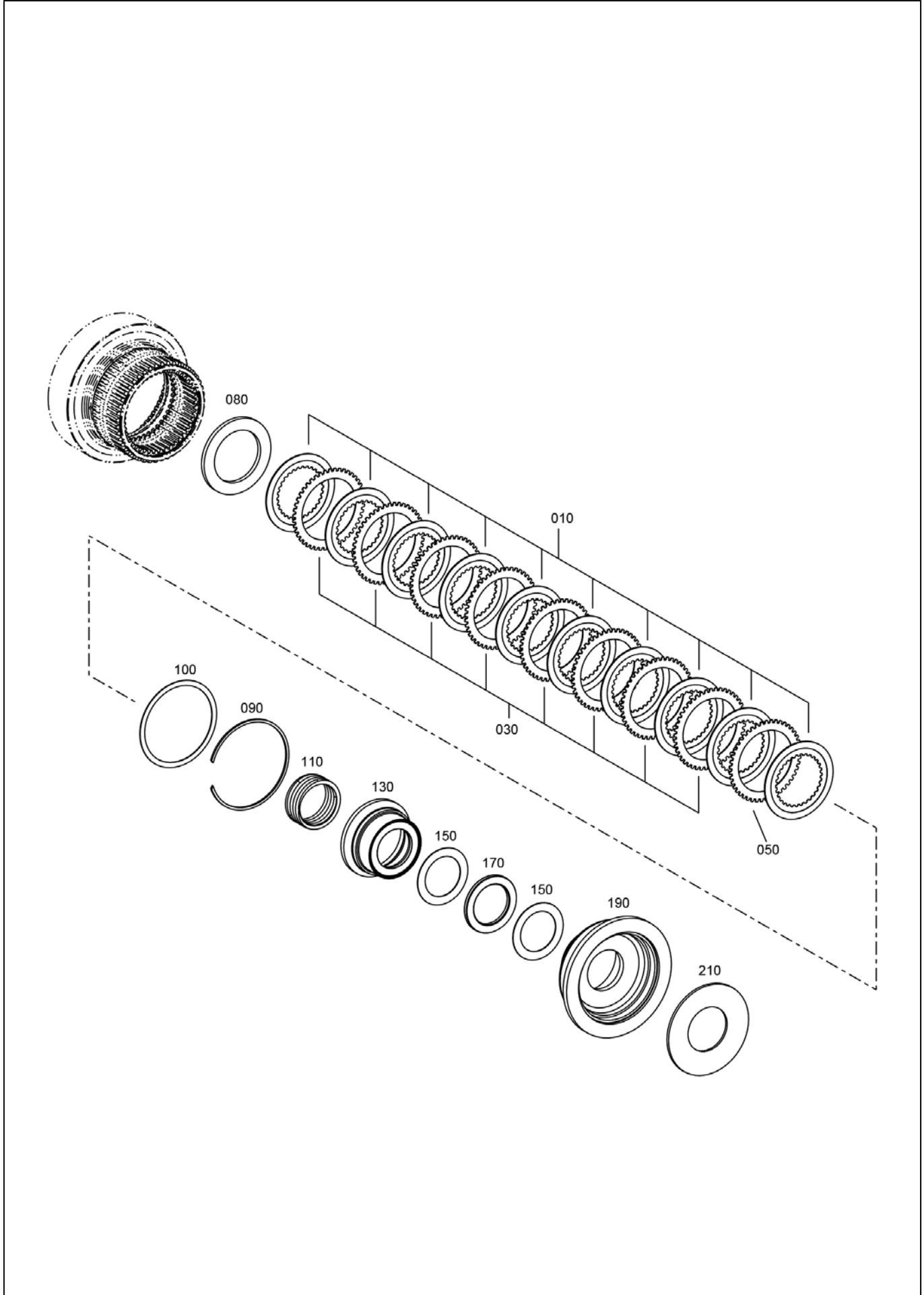
No	Parça No	Parça Adı		Adet	S.K.	Bas.S.N	Bit.S.N	Y.K.	Not
No	Part no	Description		Qty	SC	S/N from	S/N to	ICA	Note
010	H239025262A	GÖVDE	HOUSING	1					
020	H239025263	PİM	SLOT. PIN	1					
090	H239025264	KAPAK	SEALING CAP	1					
094	H239025265	CIVATA	CAP SCREW	1					
210	H239025457	TAPA	SCREW PLUG	2					
210/020	H239025267	O-RİNG	O-RING	1					
250	H239025268	SÜZGEÇ	SCREEN SHEET	1					
270	H239025269	VİDA	COUNTERS. SCREW	2					
290	H239025270	HAVALANDIRMA TAPASI	VENTILATION VALVE	2					
310	H239025458	TAPA	SCREW PLUG	3					
310/020	H239025180	O-RİNG	O-RING	1					
330	H239025458	TAPA	SCREW PLUG	2					
330/020	H239025180	O-RİNG	O-RING	1					
340	H239025458	TAPA	SCREW PLUG	1					
340/020	H239025180	O-RİNG	O-RING	1					
370	H239025459	TAPA	SCREW PLUG	2					
370/020	H239025279	O-RİNG	O-RING	1					
390	H239025043	TAPA	SCREW PLUG	1					
398	H239025281	KEÇE	SEALING RING	1					
410	H239025270	HAVALANDIRMA TAPASI	VENTILATION VALVE	1					
450	H239025283A	GRESÖRLÜK	LUBRICATING NIPPLE	1					
490	H239025460	NIPEL	THREADED PIECE	1					
490/020	H239025285	O-RİNG	O-RING	1					
530	H239025286	BİLYE	BALL	1					
550	H239025287	YAY	COMPRESSION SPRING	1					
570	H239025288	HAVALANDIRMA TAPASI	BREATHER	1					

**ŞANZIMAN, ÇOKLU DİSK FRENİ  
TRANSMISSION, M-DISK BRAKE**

**ŞANZIMAN, ÇOKLU DİSK FRENİ  
TRANSMISSION, M-DISK BRAKE**

No	Parça No	Parça Adı		Adet	S.K.	Bas.S.N	Bit.S.N	Y.K.	Not
No	Part no		Description	Qty	SC	S/N from	S/N to	ICA	Note
010	H239025101	SEGMAN	CIRCLIP	1					
030	H239025318	ŞİM	END SHIM	1					
050	H239025102A	KAVRAMA DİSKİ	OUTER CLUTCH DISC	6					
070	H239025111	KAVRAMA BALATASI	INNER CLUTCH DISC	6					
090	H239025468	KAVRAMA DİSKİ	OUTER CLUTCH DISC	1					
110	H239025329	BİLEZİK	RING	1					
130	H239025330	BASKI PULU	PRESSURE RING	1					
150	H239025331	O-RİNG	O-RING	2					
170	H239025257	O-RİNG	O-RING	1					
190	H239025333	CONTA	GASKET	1					
210	H239025334	PİSTON	PISTON	1					
230	H239025335	YAY SETİ	SET OF SPRINGS	1					
250	H239025336	CONTA	GASKET	1					
270	H239025337	CONTA	GASKET	1					
290	H239025338	CONTA	GASKET	1					
310	H239025339	CONTA	GASKET	1					
330	H239025340	PİM	PIN	2					

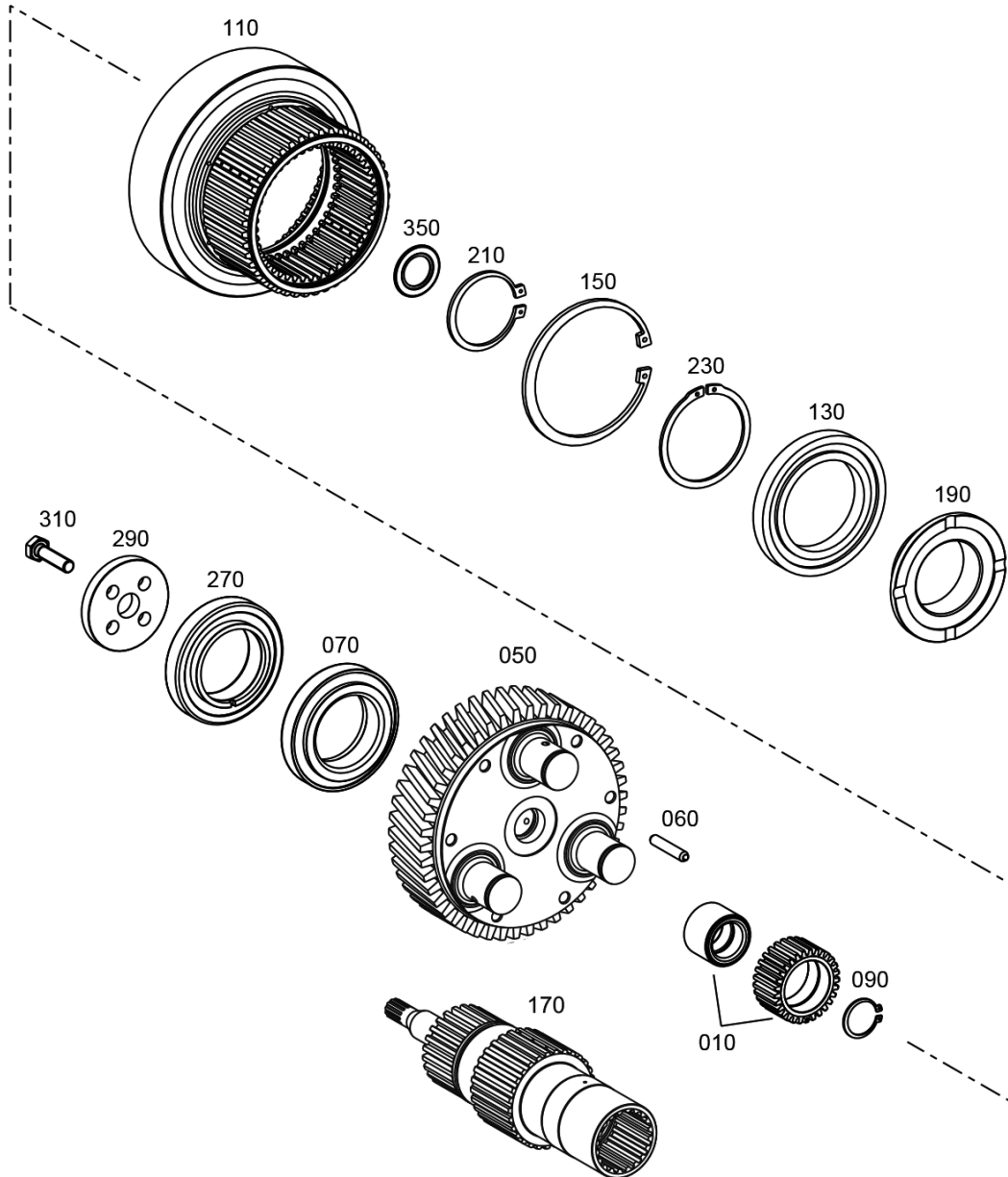
**ŞANZIMAN, KAVRAMA  
TRANSMISSION, COUPLING**



**ŞANZIMAN, KAVRAMA  
TRANSMISSION, COUPLING**

No	Parça No	Parça Adı		Adet	S.K.	Bas.S.N	Bit.S.N	Y.K.	Not
No	Part no		Description	Qty	SC	S/N from	S/N to	ICA	Note
010	H239025301	KAVRAMA BALATASI	LIN. CLUTCH DISC	10					
030	H239025302	KAVRAMA DİSKİ	OUTER CLUTCH DISC	8					
050	H239025303	KAVRAMA DİSKİ	OUTER CLUTCH DISC	1					
080	H239025307	PUL	WASHER	1					
090	H239025308	SEGMAN	SNAP RING	1					
100	H239025309	ŞİM	SHIM	1					
110	H239025310	YAY	COMPRESSION SPRING	1					
130	H239025311	BASKI PARÇASI	PRESSURE PART	1					
150	H239025312	EKSENEL PUL	AXIAL WASHER	2					
170	H239025313	EKSENEL RULMAN KAFESİ	AX. ROLLER CAGE	1					
190	H239025314	PISTON	PISTON	1					
210	H239025315	YAY SETİ	SET OF SPRINGS	1					

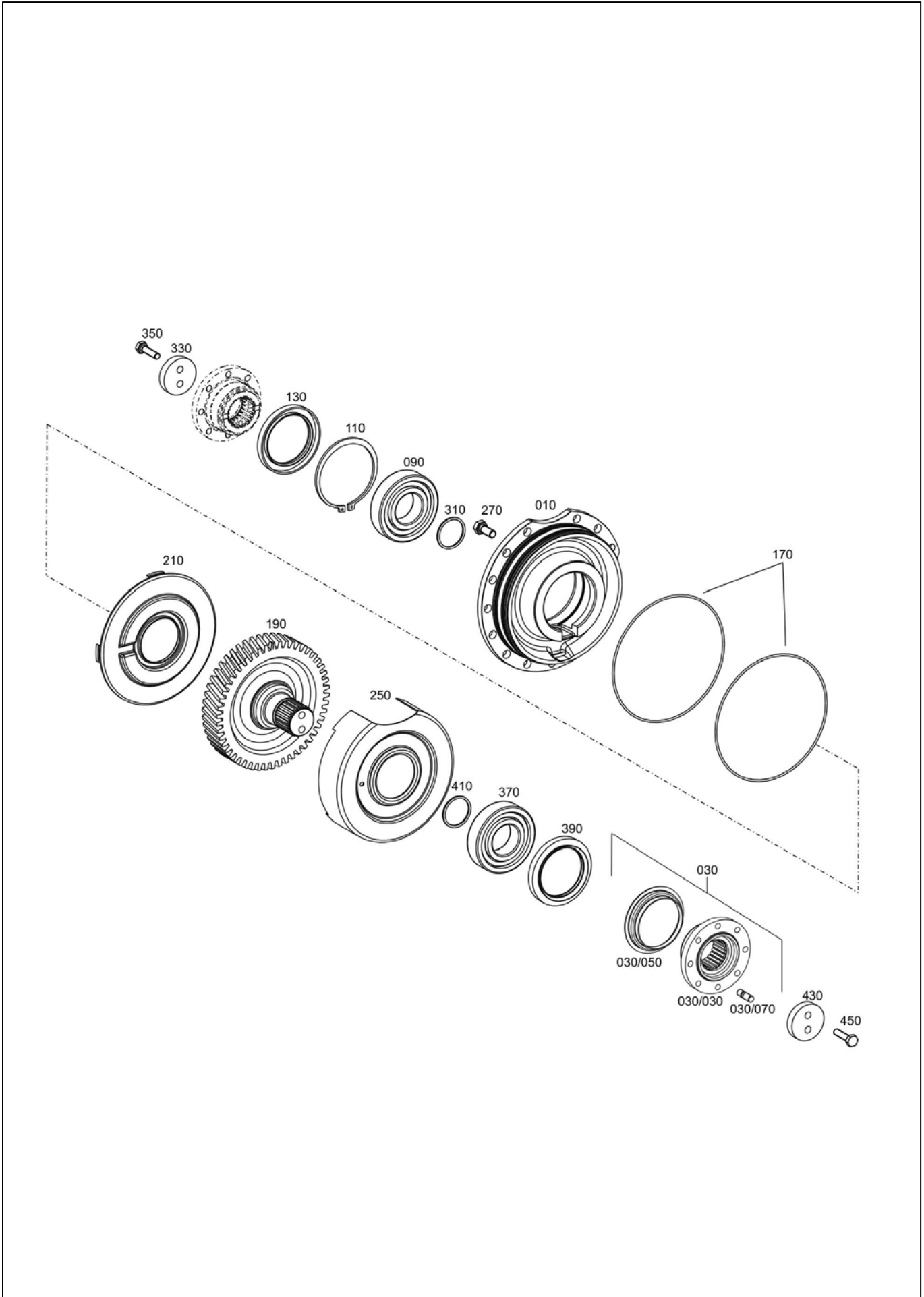
# ŞANZIMAN, PLANET DİŞLİSİ TAHRİĞİ TRANSMISSION, PLANETARY DRIVE



**ŞANZIMAN, PLANET DİŞLİSİ TAHRİĞİ**  
**TRANSMISSION, PLANETARY DRIVE**

No	Parça No	Parça Adı		Adet	S.K.	Bas.S.N	Bit.S.N	Y.K.	Not
No	Part no	Description		Qty	SC	S/N from	S/N to	ICA	Note
010	H239025342	PLANET DİŞLİ	PLANETARY GEAR	3					
050	H239025344A	PLANET TAŞIYICI	PLANETARY CARRIER	1					
060	H239025345	PİM	SLOT. PIN	6					
070	H239025346	RULMAN	TA. ROLLER BEARING	1					
090	H239025347	SEGMAN	CIRCLIP	3					
110	H239025348	YÖRÜNGE DİŞLİ	RING GEAR	1					
130	H239025349	BİLYELİ RULMAN	BALL BEARING	1					
150	H239025350	SEGMAN	CIRCLIP	1					
170	H209025020	GÖVDE, ŞAFT	INPUT SHAFT	1					
190	H239025351	MERKEZLEME DİSKİ	CENTERING DISK	1					
210	H239025352	SEGMAN	CIRCLIP	1					
230	H239025353	SEGMAN	CIRCLIP	1					
270	H239025346	RULMAN	TA. ROLLER BEARING	1					
290	H239025355	PUL	WASHER	1					
310	H239025423	CIVATA	BOLT	4					
350	H239025357	EKSENEL RULMAN KAFESİ	AXIAL NEEDLE CAGE	1					

# ŞANZIMAN, ÇIKIŞ TRANSMISSION, OUTPUT

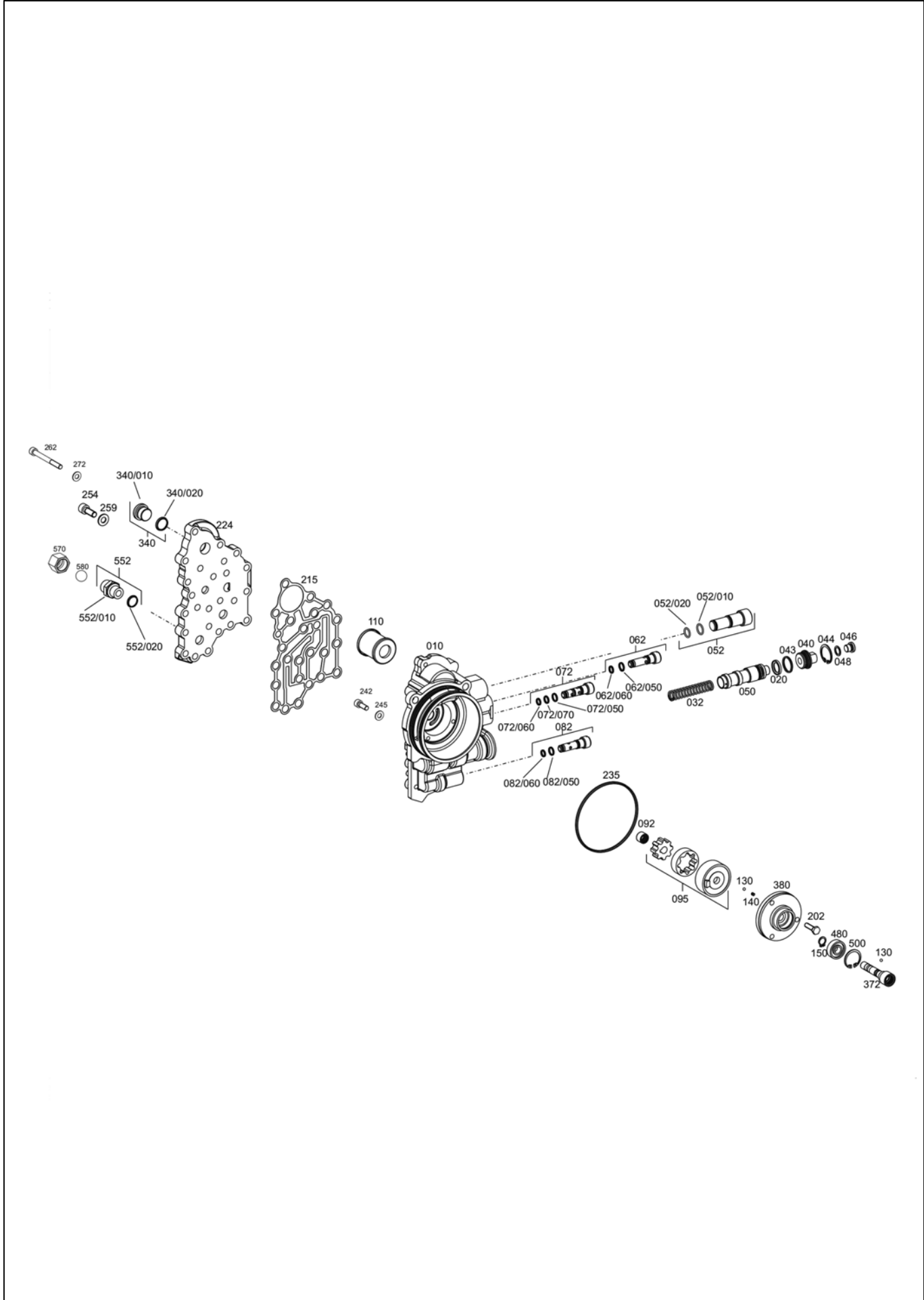




**ŞANZIMAN, ÇIKIŞ  
TRANSMISSION, OUTPUT**

No	Parça No	Parça Adı	Adet	S.K.	Bas.S.N	Bit.S.N	Y.K.	Not
No	Part no	Description	Qty	SC	S/N from	S/N to	ICA	Note
010	H239025408	KAPAK	1					
030	H239025409	ÇIKIŞ FLANŞI	1					
030/030	H239025410	ÇIKIŞ FLANŞI	1					
030/050	H239025411	BİLEZİK	1					
030/070	H239025412	SAPLAMA	8					
090	H239025413	BİLYELİ RULMAN	1					
110	H239025414	SEGMAN	1					
130	H239025415	KEÇE, ŞAFT	1					
170	H239025255	O-RİNG	2					
190	H239025417	DIŞLİ, ÇIKIŞ	1					
210	H239025418	YAĞ YÖN DEĞİŞTİRİCİ	1					
250	H239025419	SÜZGEÇ	1					
270	H239025420	CIVATA	5					
310	H239025421	O-RİNG	1					
330	H239025220	PUL	1					
350	H239025423	CIVATA	2					
370	H239025413	BİLYELİ RULMAN	1					
390	H239025415	KEÇE, ŞAFT	1					
410	H239025421	O-RİNG	1					
430	H239025220	PUL	1					
450	H239025423	CIVATA	2					

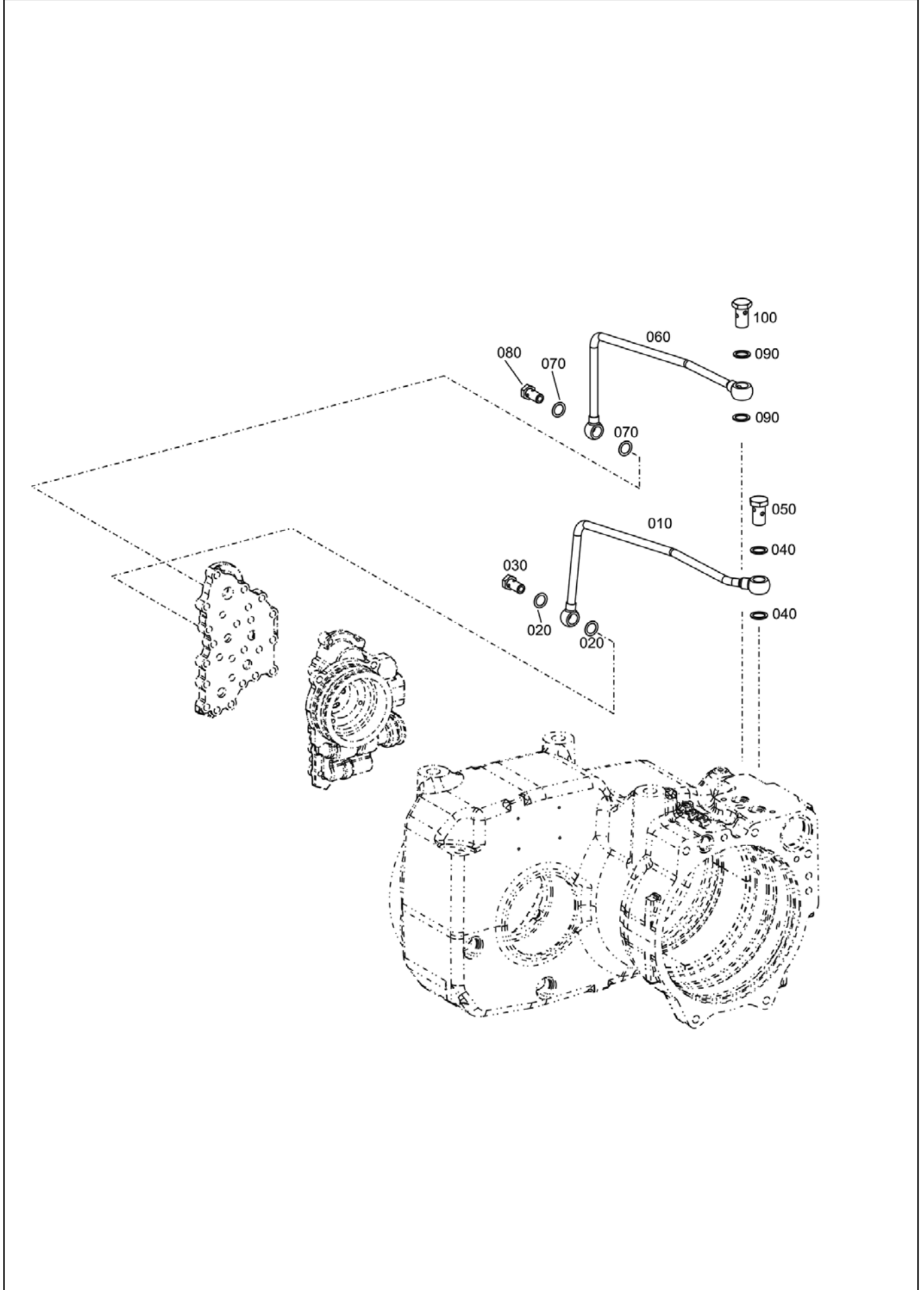
# ŞANZIMAN, VİTES KOLU SENSÖRÜ TRANSMISSION, GEAR SHIFT SENSOR



**ŞANZIMAN, VİTES KOLU SENSÖRÜ**  
**TRANSMISSION, GEAR SHIFT SENSOR**

No	Parça No	Parça Adı		Adet	S.K.	Bas.S.N	Bit.S.N	Y.K.	Not
No	Part no	Description		Qty	SC	S/N from	S/N to	ICA	Note
010	H239025359	GÖVDE	HOUSING	1					
020	H239025163	CONTA	GASKET	1					
032	H239025164	YAY	COMPRESSION SPRING	1					
040	H239025362	TAPA	PLUG	1					
043	H239025032	O-RİNG	O-RING	1					
044	H239025204	SEGMAN	CIRCLIP	1					
046	H239025043	TAPA	SCREW PLUG	1					
048	H239025281	KEÇE	SEALING RING	1					
050	H239025170	PİSTON	PISTON	1					
052	H239025171	EMNİYET VALFİ	PRESSURE LIMITATION VALVE	1					
052/010	H239025369	O-RİNG	O-RING	1					
052/020	H239025173	O-RİNG	O-RING	1					
062	H239025174	ÇEK VALF	CHECK VALVE	1					
062/050	H239025175	O-RİNG	O-RING	1					
062/060	H239025176	O-RİNG	O-RING	1					
072	H239025177	ÇEK VALF	CHECK VALVE	1					
072/050	H239025175	O-RİNG	O-RING	1					
072/060	H239025176	O-RİNG	O-RING	1					
072/070	H239025180	O-RİNG	O-RING	1					
082	H239025181	ÇEK VALF	CHECK VALVE	1					
082/050	H239025175	O-RİNG	O-RING	1					
082/060	H239025176	O-RİNG	O-RING	1					
092	H239025184	İĞNELİ RULMAN	NEEDLE SLEEVE	1					
095	H239025382	POMPA ROTOR DİŞLİ SETİ	ROTOR SET	1					
110	H239025186	SÜZGEÇ	SCREEN FILTER	1					
130	H239025187	BİLYE	BALL	4					
140	H239025188	YAY	COMPRESSION SPRING	3					
150	H239025386	SEGMAN	CIRCLIP	1					
202	H239025190	CIVATA	BOLT	3					
215	H239025388	CONTA	GASKET	1					
224	H239025192	KAPAK	COVER	1					
235	H239025193	O-RİNG	O-RING	2					
242	H239025194	CIVATA	CAP SCREW	1					
245	H239025195	PUL	WASHER	1					
254	H239025393A	CIVATA	BOLT	23					
259	H239025195	PUL	WASHER	23					
262	H239025395	CIVATA	CAP SCREW	2					
272	H239025195	PUL	WASHER	2					
340	H239025461	TAPA	SCREW PLUG	1					
340/020	H239025398	O-RİNG	O-RING	1					
372	H239025399	POMPA MİLİ	PUMP SHAFT	1					
380	H239025202	POMPA KAPAĞI	PUMP COVER	1					
480	H239025203	BİLYELİ RULMAN	BALL BEARING	1					
500	H239025204	SEGMAN	CIRCLIP	1					
552	H239025462	NİPEL	SCREW-IN SLEEVE	2					
552/020	H239025279	O-RİNG	O-RING	1					
570	H239025405	POMPA MİLİ	UNION NUT	2					
580	H239025406	BİLYE	BALL	2					

# ŞANZIMAN, YAĞLAMA TESİSATI TRANSMISSION, OIL PIPE



**ŞANZIMAN, YAĞLAMA TESİSATI  
TRANSMISSION, OIL PIPE**

No	Parça No	Parça Adı		Adet	S.K.	Bas.S.N	Bit.S.N	Y.K.	Not
No	Part no		Description	Qty	SC	S/N from	S/N to	ICA	Note
010	H239025290	BORU, YAĞ	OIL TUBE	1					
020	H239025291	KEÇE	SEALING RING	2					
030	H239025292A	BANJO CIVATA	HOLLOW/UNION SCREW	1					
040	H239025293	KEÇE	SEALING RING	2					
050	H239025294A	BANJO CIVATA	HOLLOW/UNION SCREW	1					
060	H239025295	BORU, YAĞ	OIL TUBE	1					
070	H239025291	KEÇE	SEALING RING	2					
080	H239025292A	BANJO CIVATA	HOLLOW/UNION SCREW	1					
090	H239025293	KEÇE	SEALING RING	2					
100	H239025294A	BANJO CIVATA	HOLLOW/UNION SCREW	1					

# F - HİDROLİK SİSTEM

## F - HYDRAULIC SYSTEM

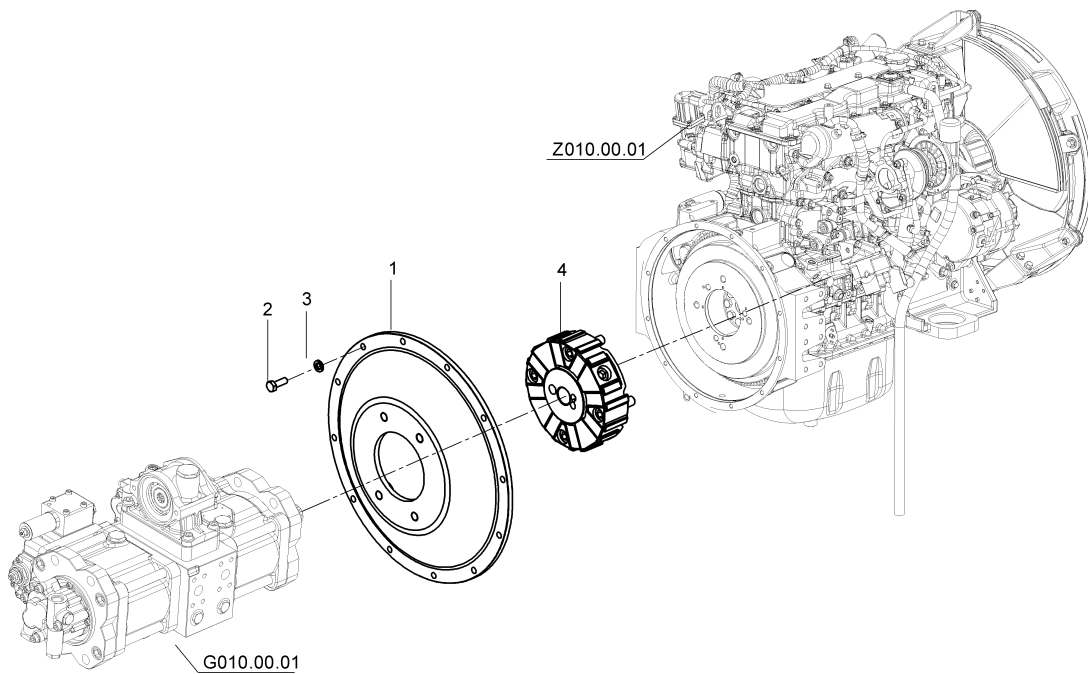
Sayfa No / Page No	Sayfa Adı	Page Name	Revizyon / Revision
F010.00.01	HİDROLİK POMPA MONTAJI	HYDRAULIC PUMP MOUNTING	
F020.00.01	HİDROLİK TANK MONTAJI	HYDRAULIC TANK ASS'Y	
F030.00.01	ÜST ŞAŞI HİDROLİK TESİSATI, ANA	UPPER FRAME HYD. PIPING, BASE	
F030.00.02	ÜST ŞAŞI HİDROLİK TESİSATI, ATAÇMAN	UPPER FRAME HYD. PIPING, ATTACHMENT	
F030.00.03	ÜST ŞAŞI HİDROLİK TESİSATI, YÜRÜYÜŞ VE DÖNÜŞ	UPPER FRAME HYD. PIPING, TRAVEL&SWING	
F040.00.01	DÖNÜŞ VE SIZINTI HATTI HİDROLİK TESİSATI	DRAIN AND RETURN HYD. PIPING	
F050.00.02	ALT ŞAŞI HİDROLİK TESİSATI, OSİLYASYON	LOWER FRAME HYDRAULIC PIPING, OSCILATION	
F050.00.03	ALT ŞAŞI HİDROLİK TESİSATI, YÜRÜYÜŞ 1	LOWER FRAME HYDRAULIC PIPING, TRAVEL 1	
F050.00.04	ALT ŞAŞI HİDROLİK TESİSATI, YÜRÜYÜŞ 2	LOWER FRAME HYDRAULIC PIPING, TRAVEL 2	
F050.00.05	ALT ŞAŞI HİDROLİK TESİSATI, DOZER	LOWER FRAME HYDRAULIC PIPING, DOZER	
F050.00.06	ALT ŞAŞI HİDROLİK TESİSATI, AYAK	LOWER FRAME HYDRAULIC PIPING, OUTRIGGER	
F060.00.03	PİLOT HİDROLİK TESİSATI, ATAÇMAN (1)	PILOT HYD. PIPING, ATTACHMENT (1)	
F060.00.04	PİLOT HİDROLİK TESİSATI, ATAÇMAN (2)	PILOT HYD. PIPING, ATTACHMENT (2)	
F060.00.05	PİLOT HİDROLİK TESİSATI, AKV	PILOT HYD. PIPING, M.C.V.	
F060.00.07	PİLOT VE ŞANZİMAN HİDROLİK TESİSATI (1)	PILOT AND TRANSMISSION HYD. PIPING (1)	
F060.00.08	PİLOT VE ŞANZİMAN HİDROLİK TESİSATI (2)	PILOT AND TRANSMISSION HYD. PIPING (2)	
F070.00.01	ATAÇMAN TESİSATI (2.3m)	ATTACHMENT PIPING (2.3m)	
F070.01.01	ATAÇMAN TESİSATI (2.9m)	ATTACHMENT PIPING (2.9m)	
F070.02.01	ATAÇMAN TESİSATI (2.6m)	ATTACHMENT PIPING (2.6m)	
F070.03.01	ATAÇMAN TESİSATI (2 PARÇALI BOM, 2.3m)	ATTACHMENT PIPING (TWO PIECES BOOM, 2.3m)	
F070.04.01	ATAÇMAN TESİSATI (2 PARÇALI BOM, 2.9m)	ATTACHMENT PIPING (TWO PIECES BOOM, 2.9m)	
F080.00.01	TEK ETKİLİ HİDROLİK TESİSATI (2.3m)	SINGLE ACTING HYD. PIPING (2.3m)	
F080.01.01	TEK ETKİLİ HİDROLİK TESİSATI (2.6m)	SINGLE ACTING HYD. PIPING (2.6m)	
F080.02.01	TEK ETKİLİ HİDROLİK TESİSATI (2.9m)	SINGLE ACTING HYD. PIPING (2.9m)	
F080.03.01	TEK ETKİLİ HİDROLİK TESİSATI (2 PARÇALI BOM, 2.3m)	SINGLE ACTING HYD. PIPING (TWO PIECES BOOM, 2.3m)	
F090.00.01	ÇİFT ETKİLİ HİDROLİK TESİSATI (2.3m)	DOUBLE ACTING HYD. PIPING (2.3m)	
F090.01.01	ÇİFT ETKİLİ HİDROLİK TESİSATI (2 PARÇALI BOM, 2.3m)	DOUBLE ACTING HYD. PIPING (TWO PIECES BOOM, 2.3m)	
F100.00.01	ÇABUK SÖK-TAK HİDROLİK TESİSATI, 40 BAR (OP)	QUICK COUPLER HYD. PIPING, 40 BAR (OP)	
F120.00.01	ATAÇMAN GRESLEME SİSTEMİ	ATTACHMENT GREASE LUB SYSTEM	
F120.01.01	ATAÇMAN GRESLEME SİSTEMİ (2 PARÇALI BOM)	ATTACHMENT GREASE LUB SYSTEM (TWO PIECES BOOM)	
F140.00.01	BOM EMNİYET VALFİ SİSTEMİ (OP)	BOOM SAFETY LOCK SYSTEM (OP)	

# F - HİDROLİK SİSTEM

## F - HYDRAULIC SYSTEM

Sayfa No / Page No	Sayfa Adı	Page Name	Revizyon / Revision
F140.01.01	BOM EMNİYET VALFİ SİSTEMİ (2 PARÇALI BOM, OP)	BOOM SAFETY LOCK SYSTEM (TWO PIECES BOOM, OP)	
F150.00.01	BOM EMNİYET VALFİ SİSTEMİ (OP)	BOOM SAFETY LOCK SYSTEM (OP)	
F150.01.01	ARM EMNİYET VALFİ SİSTEMİ (2 PARÇALI BOM, OP)	ARM SAFETY LOCK SYSTEM (TWO PIECES BOOM, OP)	
F160.00.01	AŞIRI YÜK UYARI SİSTEMİ (EMNİYET VALFLİ, OP)	OVERLOAD WARNING SYSTEM (WITH RELIEF VALVE, OP)	
F160.01.01	AŞIRI YÜK UYARI SİSTEMİ (EMNİYET VALFSİZ, OP)	OVERLOAD WARNING SYSTEM (WITHOUT RELIEF VALVE, OP)	

## HİDROLİK POMPA MONTAJI HYDRAULIC PUMP MOUNTING

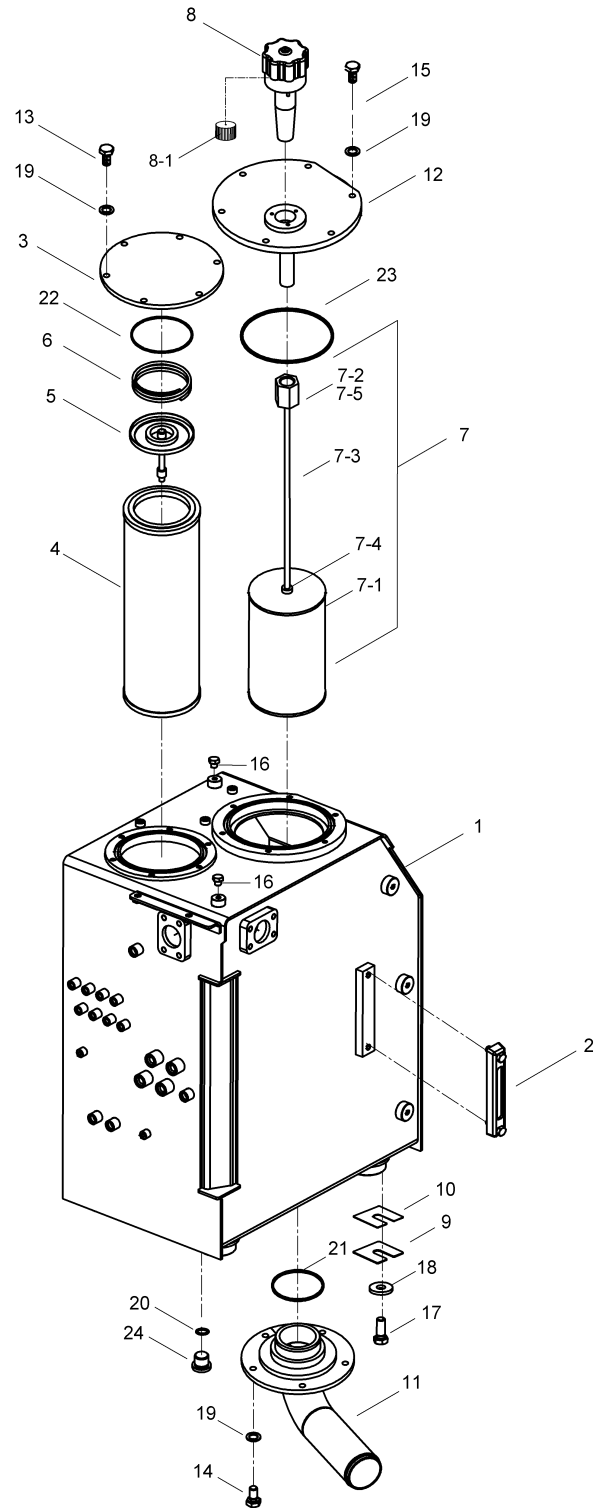




**HİDROLİK POMPA MONTAJI  
HYDRAULIC PUMP MOUNTING**

No	Parça No	Parça Adı	Description	Adet	S.K.	Bas.S.N	Bit.S.N	Y.K.	Not
No	Part no			Qty	SC	S/N from	S/N to	ICA	Note
1	H202100100	FLANŞ, VOLAN MUHAFAZASI	FLANGE, F/W HOUSING	1					
2	N010232486	CIVATA	BOLT	12					M10x30
3	N031310011	YAYLI RONDELA	SPRING WASHER	12					
4	H202100300	KAPLIN	COUPLING	1					

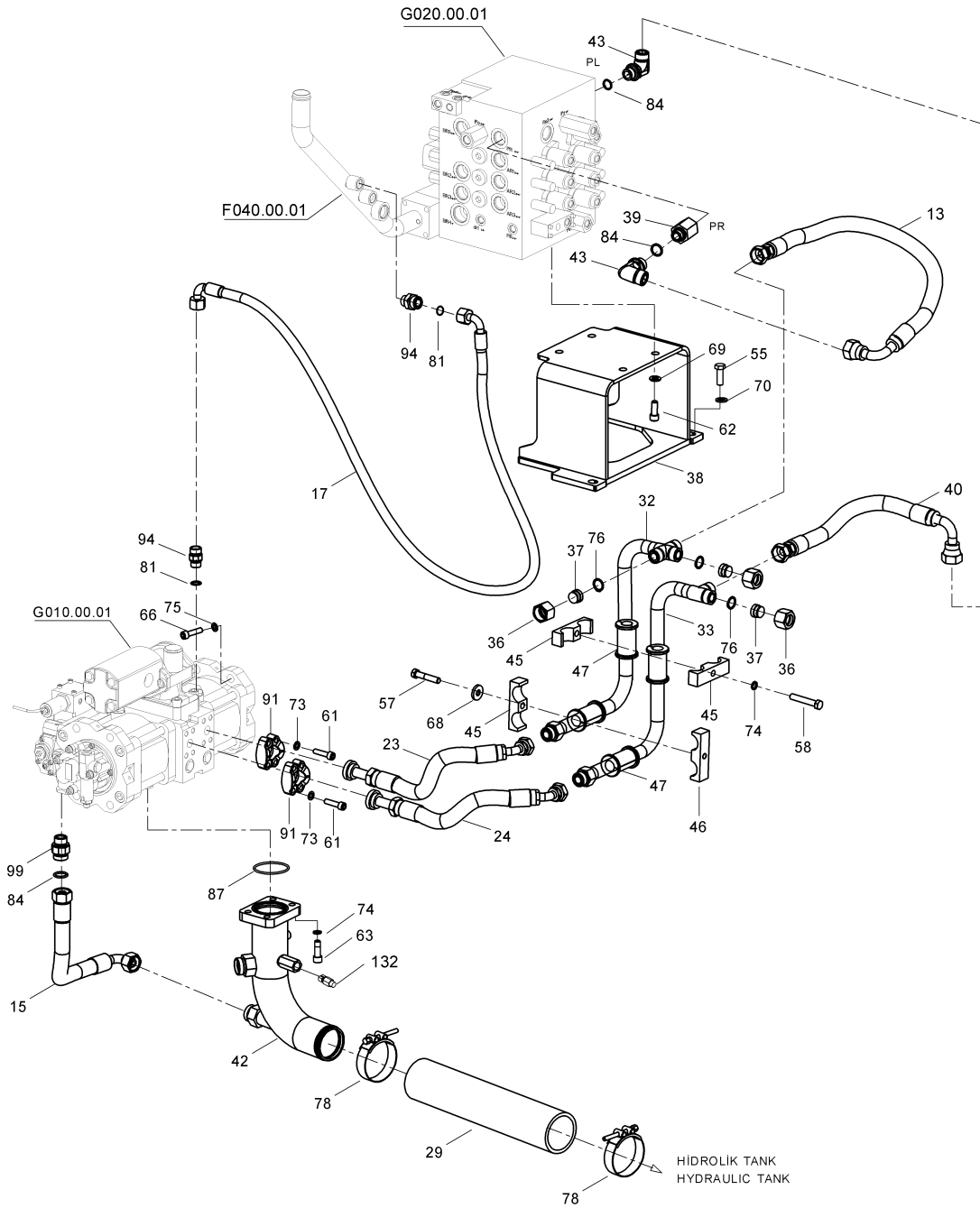
HİDROLİK TANK MONTAJI  
HYDRAULIC TANK ASS'Y



## HİDROLİK TANK MONTAJI HYDRAULIC TANK ASS'Y

No	Parça No	Parça Adı		Adet	S.K.	Bas.S.N	Bit.S.N	Y.K.	Not
No	Part no	Description		Qty	SC	S/N from	S/N to	ICA	Note
1	H203407600	HİDROLİK TANK K.M.	HYDRAULIC TANK W.A.	1					
2	H343403601	SEVİYE GÖSTERGESİ, YAĞ	GAUGE, HYDRAULIC OIL LEVEL	1					
3	H343403700	KAPAK SACI, DÖNÜŞ FİLTRESİ	COVER, RETURN	1					
4	H343403802	FİLTRE, HİDROLİK DÖNÜŞ	FILTER ASS'Y, RETURN	1					
5	H343403901	ÇEK VALF	VALVE, CHECK	1					
6	H343404000	YAY	SPRING	1					
7	H343404601	EMİŞ SÜZGEÇİ KOMPLESİ	STRAINER ASS'Y, SUCTION	1					
7-1	H349081001	EMİŞ SÜZGEÇİ	STRAINER, SUCTION	1					
7-2	H349081002	TUTUCU	GUIDE HOLDER	1					
7-3	H349081007	ÇUBUK	CENTER BOLT	1					
7-4	N023570206	SOMUN	NUT	1					
7-5	H349081005	YAY	SPRING	1					
8	H343405800	TANK KAPAĞI, HİDROLİK	AIR BREATHER	1					
8-1	H349079001	FİLTRE, TANK KAPAĞI	FILTER, AIR BREATHER	1					
9	H343409500	ŞİM	SHIM	1					
10	H343410400	ŞİM	SHIM	1					
11	H343421101	BORU K.M., POMPA EMİŞ	PIPE W.A., PUMP SUCTION	1					
12	H343422000	KAPAK K.M., DÖNÜŞ FİLTRESİ	COVER W.A., DRAIN FILTER	1					
13	N010232438	CIVATA	BOLT	6					M10x20
14	N010232462	CIVATA	BOLT	5					M10x25
15	N010232486	CIVATA	BOLT	6					M10x30
16	N010232726	CIVATA	BOLT	2					M12x10
17	N010233566	CIVATA	BOLT	4					M16x35
18	N030810002	PUL	WASHER	4					M16
19	N030810015	PUL	WASHER	17					M10
20	N102002234	O-RİNG	O-RING	1					
21	N102016457	O-RİNG	O-RING	1					
22	N102018957	O-RİNG	O-RING	1					
23	N102022957	O-RİNG	O-RING	1					
24	N16X120002	TAPA	PLUG	1					

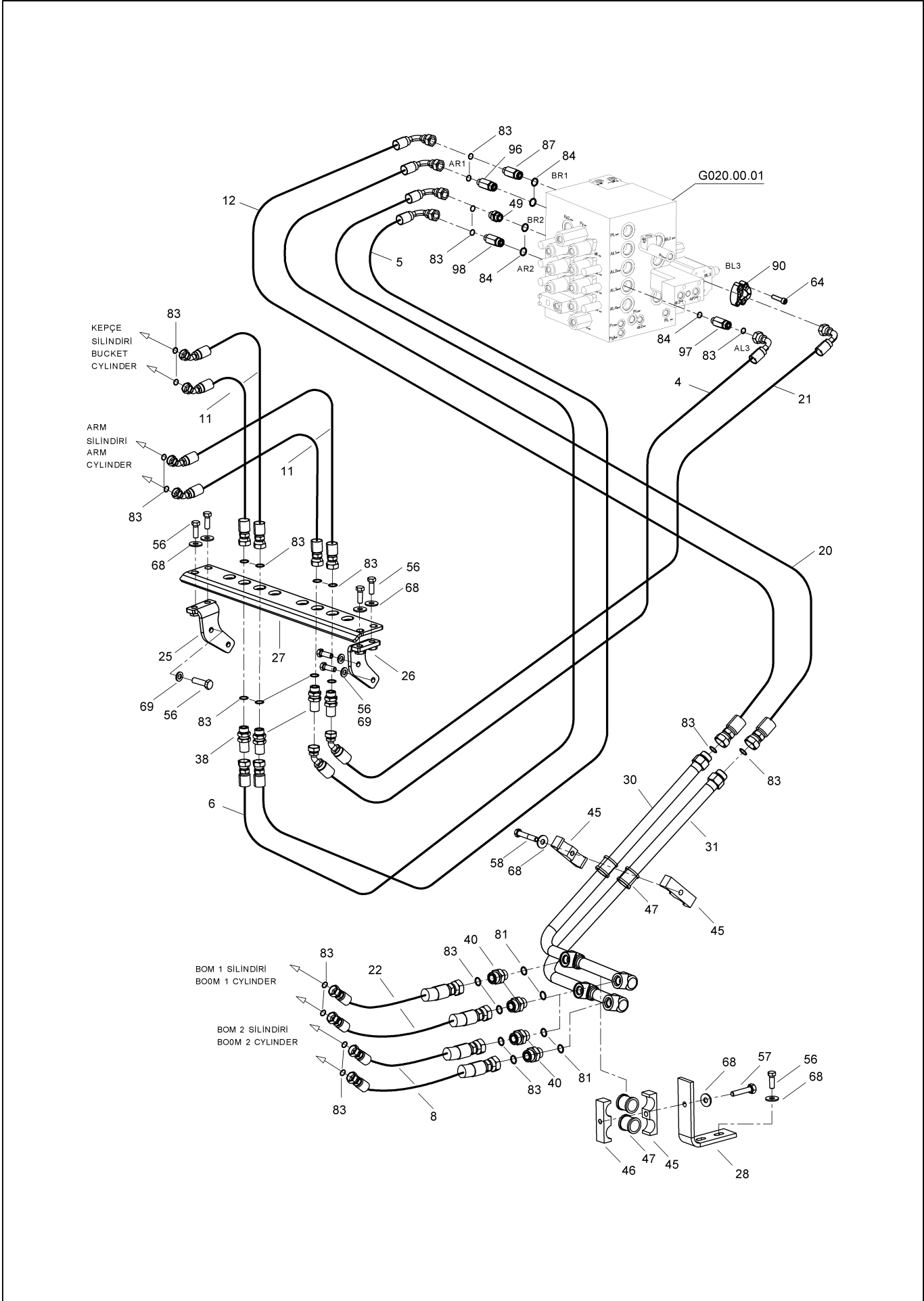
ÜST ŞAŞI HİDROLİK TESİSATI, ANA  
UPPER FRAME HYD. PIPING, BASE



**ÜST ŞASI HİDROLİK TESİSATI, ANA  
UPPER FRAME HYD. PIPING, BASE**

No	Parça No	Parça Adı		Adet	S.K.	Bas.S.N	Bit.S.N	Y.K.	Not
No	Part no	Description		Qty	SC	S/N from	S/N to	ICA	Note
13	99Q074716	HORTUM KOMPLESİ	HOSE ASS'Y	1					
15	99Q094210	HORTUM KOMPLESİ	HOSE ASS'Y	1					
17	99U093228	HORTUM KOMPLESİ	HOSE ASS'Y	1					
23	H203001400	HORTUM KOMPLESİ	HOSE ASS'Y	1					
24	H203001400	HORTUM KOMPLESİ	HOSE ASS'Y	1					
29	H203003000	HORTUM KOMPLESİ	HOSE ASS'Y	1					
32	H203003701	TESİSAT BORUSU K.M.	PIPE W.A.	1					
33	H203003901	TESİSAT BORUSU K.M.	PIPE W.A.	1					
36	H203005200	SOMUN	NUT	3					
37	H203005300	TAPA	PLUG	3					
38	H203006001	BRAKET K.M., A.K.V.	BRACKET, M.C.V.	1					
39	H203006400	NİPEL	ADAPTER	1					
40	H203006600	HORTUM KOMPLESİ	HOSE ASS'Y	1					
42	H203010500	TESİSAT BORUSU, POMPA EMİŞ	PIPE, PUMP SUCTION	1					
43	N16N730003	DIRSEK	ELBOW	2					
45	H203300700	KELEPÇE	CLAMP	3					
46	H203301100	KELEPÇE	CLAMP	1					
47	H203301200	LASTİK	RUBBER	4					
55	N010233590	CIVATA	BOLT	4					
57	N010380890	CIVATA	BOLT	1					
58	N010380914	CIVATA	BOLT	1					
61	N015890842	CIVATA	BOLT	8					
62	N015891166	CIVATA	BOLT	4					
63	N015891178	CIVATA	BOLT	4					
66	N015891586	CIVATA	BOLT	4					
68	N030560004	PUL	WASHER	1					
69	N030810001	PUL	WASHER	4					
70	N030810002	PUL	WASHER	4					
73	N031310011	YAYLI RONDELA	SPRING WASHER	8					
74	N031310012	YAYLI RONDELA	SPRING WASHER	9					
75	N031310014	YAYLI RONDELA	SPRING WASHER	4					
76	N050020044	SEGMAN	RETAINING RING	4					
78	N078308591	KELEPÇE	CLAMP	2					
81	N102001724	O-RİNG	O-RING	2					
84	N102002336	O-RİNG	O-RING	3					
87	N102006935	O-RİNG	O-RING	1					
91	N16J420102	YARIM FLANŞ	FLANGE, SPLIT	4					
94	N16K114343	NİPEL	ADAPTER	2					
99	N16K114344	NİPEL	ADAPTER	1					
132	H348026700	SENSÖR, SICAKLIK	SENSOR, TEMPERATURE	1					

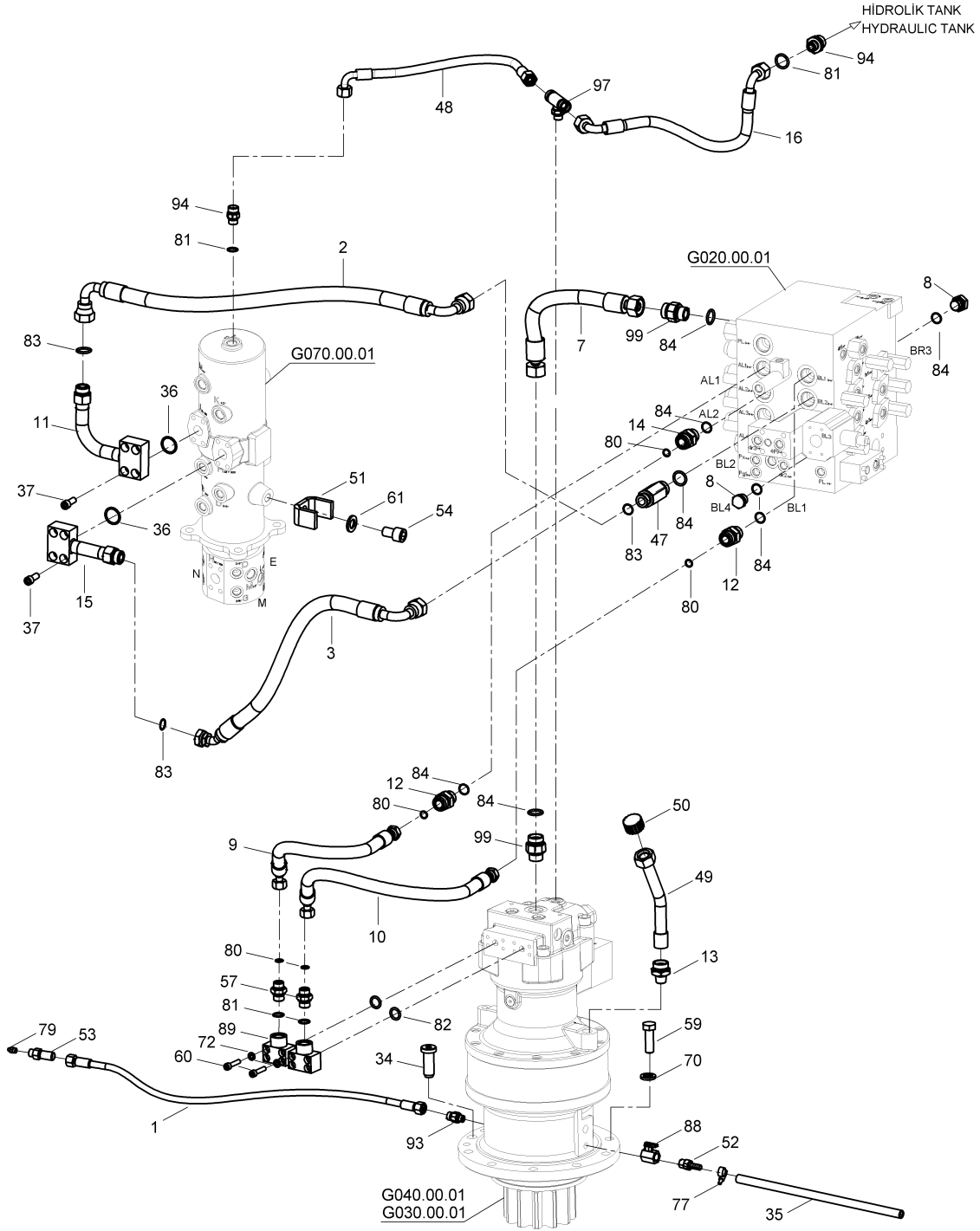
**ÜST ŞAŞI HİDROLİK TESİSATI, ATAÇMAN**  
**UPPER FRAME HYD. PIPING, ATTACHMENT**



**ÜST ŞASI HİDROLİK TESİSATI, ATAÇMAN**  
**UPPER FRAME HYD. PIPING, ATTACHMENT**

No	Parça No	Parça Adı		Adet	S.K.	Bas.S.N	Bit.S.N	Y.K.	Not
No	Part no	Description		Qty	SC	S/N from	S/N to	ICA	Note
4	99K074717	HORTUM KOMPLESİ	HOSE ASS'Y	1					
5	99M074717	HORTUM KOMPLESİ	HOSE ASS'Y	1					
6	99M074719	HORTUM KOMPLESİ	HOSE ASS'Y	1					
8	99N174713	HORTUM KOMPLESİ	HOSE ASS'Y	2					
11	99P374732	HORTUM KOMPLESİ	HOSE ASS'Y	4					
12	99Q074714	HORTUM KOMPLESİ	HOSE ASS'Y	1					
20	H203001000	HORTUM KOMPLESİ	HOSE ASS'Y	1					
21	H203001200	HORTUM KOMPLESİ	HOSE ASS'Y	1					
22	H203001300	HORTUM KOMPLESİ	HOSE ASS'Y	2					
25	H203001602	BRAKET K.M.	BRACKET W.A.	1					
26	H203001802	BRAKET K.M.	BRACKET W.A.	1					
27	H203002001	BRAKET	BRACKET	1					
28	H203002400	BRAKET	BRACKET	2					
30	H203003100	TESİSAT BORUSU K.M.	PIPE W.A.	1					
31	H203003400	TESİSAT BORUSU K.M.	PIPE W.A.	1					
38	N16K600304	NIPEL	ADAPTER	4					
40	N16K130126	NIPEL	ADAPTER	4					
45	H203300700	KELEPÇE	CLAMP	4					
46	H203301100	KELEPÇE	CLAMP	2					
47	H203301200	LASTİK	RUBBER	6					
49	N16K130135	NIPEL	ADAPTER	1					
56	N010380830	CIVATA	BOLT	12					
57	N010380890	CIVATA	BOLT	2					
58	N010380914	CIVATA	BOLT	1					
64	N015891190	CIVATA	BOLT	4					
68	N030560004	PUL	WASHER	11					
69	N030810001	PUL	WASHER	4					
81	N102001724	O-RİNG	O-RING	4					
83	N102001817	O-RİNG	O-RING	26					
84	N102002336	O-RİNG	O-RING	2					
87	N16K130141	NIPEL	ADAPTER	1					
90	N16J360104	YARIM FLANŞ	FLANGE, SPLIT	2					
96	N16K130136	NIPEL	ADAPTER	1					
97	N16K130139	NIPEL	ADAPTER	1					
98	N16K130140	NIPEL	ADAPTER	1					

ÜST ŞAŞİ HİDROLİK TESİSATI, YÜRÜYÜŞ VE DÖNÜŞ  
 UPPER FRAME HYD. PIPING, TRAVEL&SWING

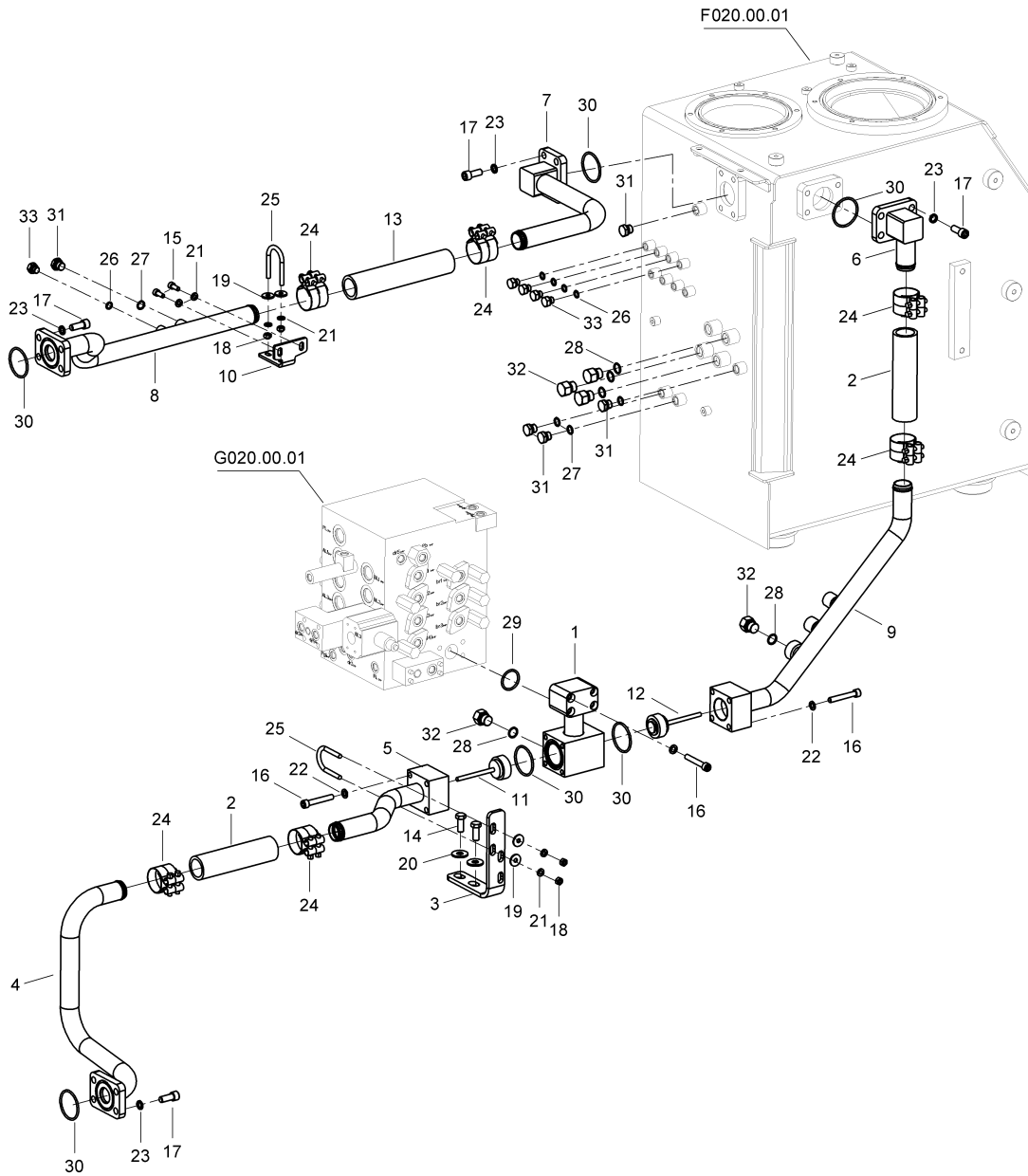




**ÜST ŞAŞI HİDROLİK TESİSATI, YÜRÜYÜŞ VE DÖNÜŞ  
UPPER FRAME HYD. PIPING, TRAVEL&SWING**

No	Parça No	Parça Adı		Adet	S.K.	Bas.S.N	Bit.S.N	Y.K.	Not
No	Part no	Description		Qty	SC	S/N from	S/N to	ICA	Note
1	97N091220	HORTUM KOMPLESİ	HOSE ASS'Y	1					
2	H203001100	HORTUM KOMPLESİ	HOSE ASS'Y	1					
3	99K074714	HORTUM KOMPLESİ	HOSE ASS'Y	1					
7	99N094207	HORTUM KOMPLESİ	HOSE ASS'Y	1					
8	N16X120002	TAPA	PLUG	2					
9	99P073711	HORTUM KOMPLESİ	HOSE ASS'Y	1					
10	99P073718	HORTUM KOMPLESİ	HOSE ASS'Y	1					
11	H203002701	BORU K.M.	PIPE W.A.	1					
12	N16K130123	NIPEL	ADAPTER	2					
13	N16K440304	NIPEL	ADAPTER	1					
14	N16K130135	NIPEL	ADAPTER	1					
15	H203002301	BORU K.M.	PIPE W.A.	1					
16	99T093217	HORTUM KOMPLESİ	HOSE ASS'Y	1					
34	H203004300	PİM	PIN, DOWEL	1					
35	H203004400	HORTUM	HOSE	1					
36	N102003335	O-RİNG	O-RING	2					
37	N015891166	CIVATA	BOLT	8					
47	N16K130138	NIPEL	ADAPTER	1					
48	99Q093213	HORTUM KOMPLESİ	HOSE ASS'Y	1					
49	H253005000	BORU KOMPLESİ	PIPE ASS'Y	1					
50	H253005300	KAPAK	COVER	1					
51	H343002100	DESTEK	SUPPORT	1					
52	H343008100	NIPEL	ADAPTER	1					
53	H343011300	NIPEL	ADAPTER	1					
54	N015891982	CIVATA	BOLT	1					
57	N16K130124	NIPEL	ADAPTER	2					
59	N010381226	CIVATA	BOLT	9					
60	N015870506	CIVATA	BOLT	8					
61	N030810003	PUL	WASHER	1					
70	N030810002	PUL	WASHER	9					
72	N031310010	YAYLI RONDELA	SPRING WASHER	8					
77	N074010016	KELEPÇE	CLAMP	1					
79	N081110000	GRESÖRLÜK	GREASE NIPPLE	1					
80	N102001216	O-RİNG	O-RING	6					
81	N102001724	O-RİNG	O-RING	5					
82	N102001803	O-RİNG	O-RING	2					
83	N102001817	O-RİNG	O-RING	3					
84	N102002336	O-RİNG	O-RING	6					
88	N140020300	KÜRESEL VANA	BALL VALVE	1					
89	N16D125101	FLANŞ	FLANGE	2					
93	N16K114341	NIPEL	ADAPTER	1					
94	N16K114343	NIPEL	ADAPTER	1					
97	N16R040606	T ADAPTÖR	TEE	1					
99	N16K114344	NIPEL	ADAPTER	2					

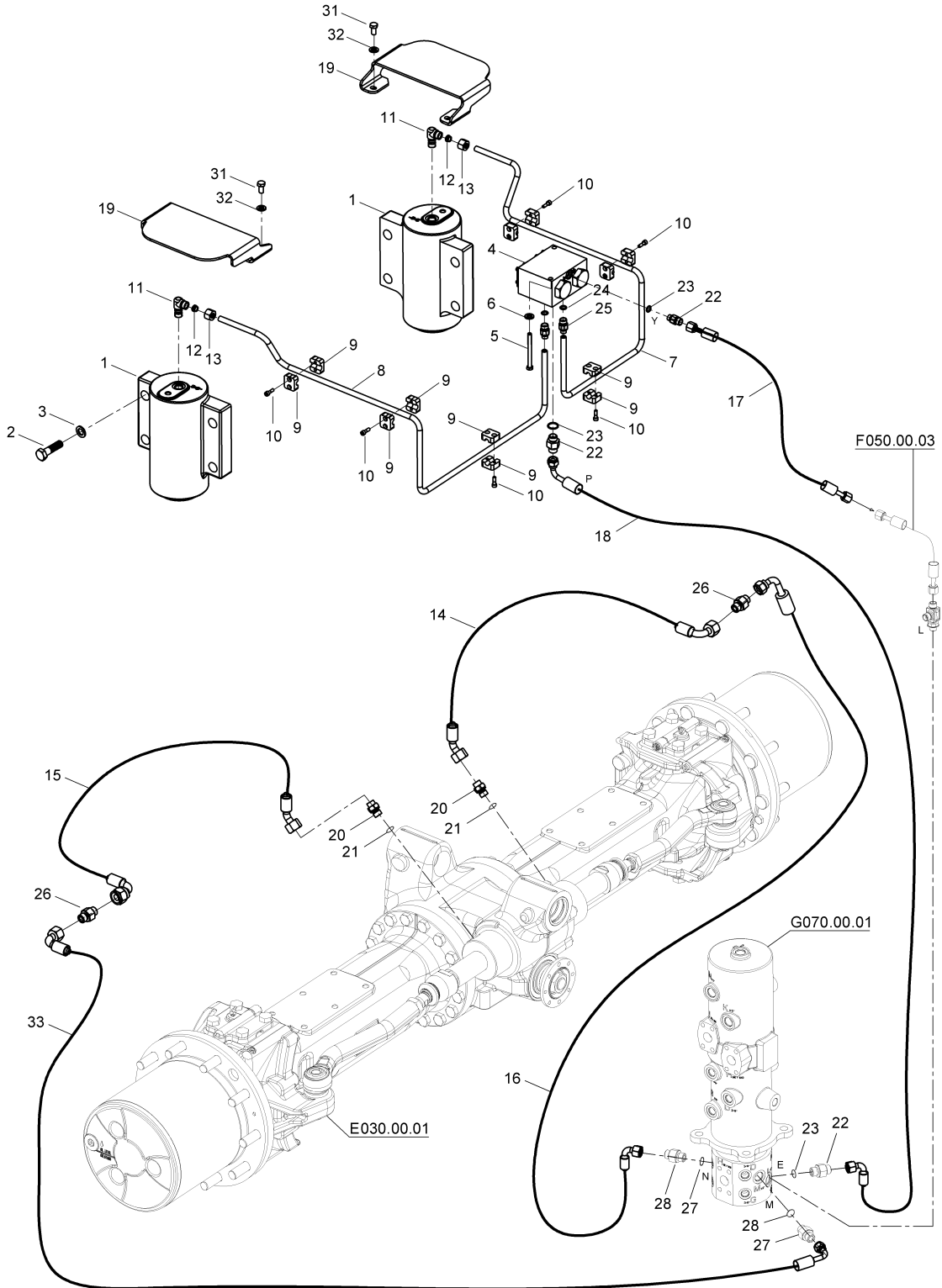
**DÖNÜŞ VE SIZINTI HATTI HİDROLİK TESİSATI**  
**DRAIN AND RETURN HYD. PIPING**



**DÖNÜŞ VE SIZINTI HATTI HİDROLİK TESİSATI**  
**DRAIN AND RETURN HYD. PIPING**

No	Parça No	Parça Adı		Adet	S.K.	Bas.S.N	Bit.S.N	Y.K.	Not
No	Part no	Description		Qty	SC	S/N from	S/N to	ICA	Note
1	H203600100	BORU K.M.	PIPE W.A.	1					
2	H203602400	HORTUM	HOSE	2					
3	H203602501	BRAKET	BRACKET	2					
4	H203610502	TESİSAT BORUSU K.M.	PIPE W.A.	1					
5	H203610701	TESİSAT BORUSU K.M.	PIPE W.A.	1					
6	H203611501	BORU K.M.	PIPE W.A.	1					
7	H203611900	TESİSAT BORUSU K.M.	PIPE W.A.	1					
8	H203612000	TESİSAT BORUSU K.M.	PIPE W.A.	1					
9	H203612201	TESİSAT BORUSU K.M.	PIPE W.A.	1					
10	H203612400	BRAKET	BRACKET	1					
11	H233601200	ÇEK VALF	CHECK VALVE	1					
12	H233601300	ÇEK VALF	CHECK VALVE	1					
13	H303610101	HORTUM	HOSE	1					
14	N010232846	CIVATA	BOLT	4					
15	N015890458	CIVATA	BOLT	2					
16	N015890902	CIVATA	BOLT	12					
17	N015891166	CIVATA	BOLT	16					
18	N023570182	SOMUN	NUT	6					
19	N030020111	PUL	WASHER	6					
20	N030020123	PUL	WASHER	4					
21	N031310010	YAYLI RONDELA	SPRING WASHER	8					
22	N031360010	YAYLI RONDELA	SPRING WASHER	12					
23	N031360011	YAYLI RONDELA	SPRING WASHER	16					
24	N078204751	KELEPÇE	CLAMP	12					
25	N07C6203900	U-KELEPÇE	U-BOLT	3					
26	N102001024	O-RİNG	O-RING	5					
27	N102001323	O-RİNG	O-RING	4					
28	N102001724	O-RİNG	O-RING	5					
29	N102003736	O-RİNG	O-RING	1					
30	N102005636	O-RİNG	O-RING	6					
31	N16X120001	TAPA	PLUG	5					
32	N16X120003	TAPA	PLUG	5					
33	N16X120004	TAPA	PLUG	5					

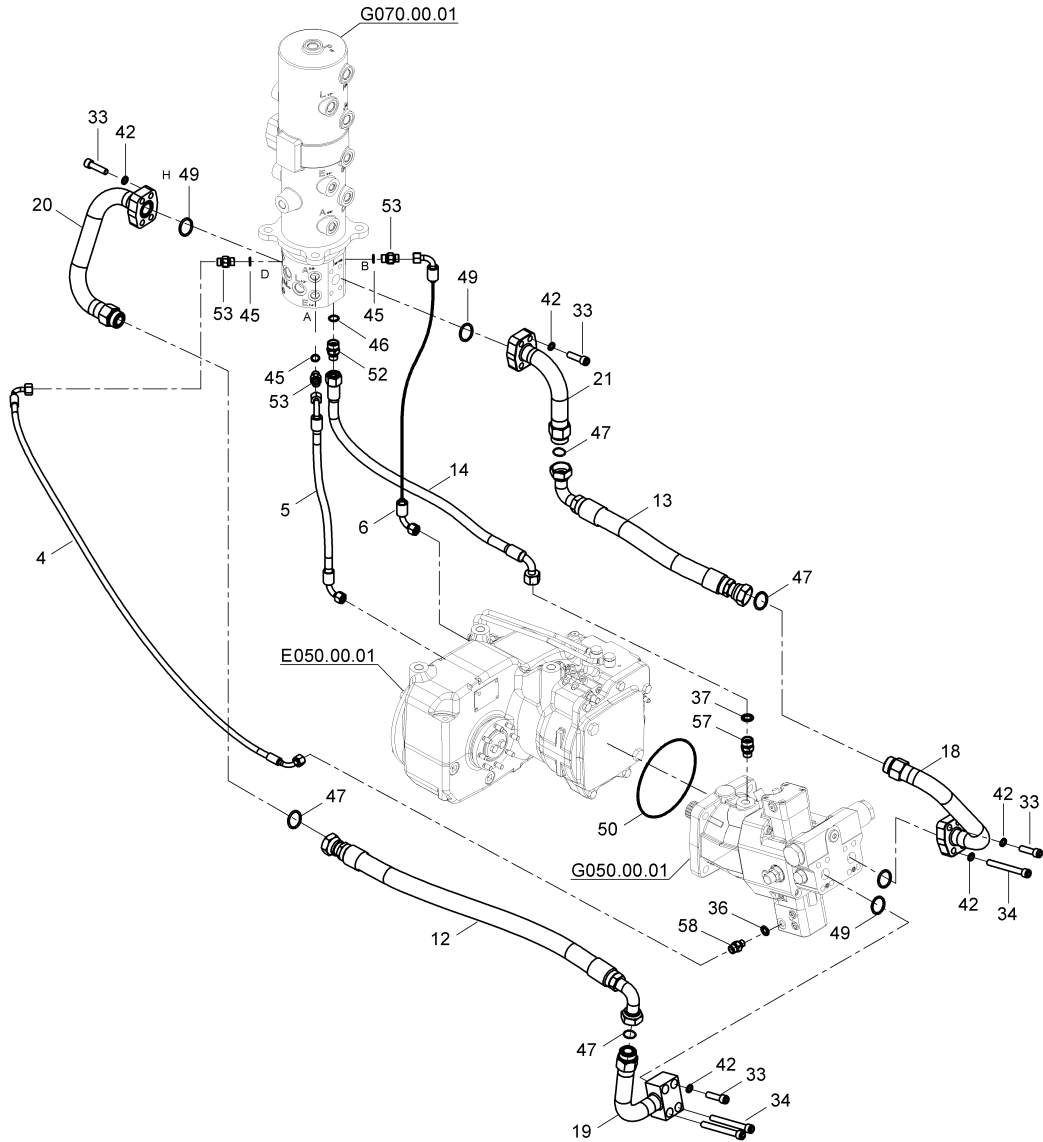
### ALT ŞAŞI HİDROLİK TESİSATI, OSİLASYON LOWER FRAME HYDRAULIC PIPING, OSCILATION



**ALT ŞASI HİDROLİK TESİSATI, OSİLASYON**  
**LOWER FRAME HYDRAULIC PIPING, OSCILATION**

No	Parça No	Parça Adı		Adet	S.K.	Bas.S.N	Bit.S.N	Y.K.	Not
No	Part no	Description		Qty	SC	S/N from	S/N to	ICA	Note
1	H233100100	SİLİNDİR KOMPLESİ, OSİLASYON	CYLINDER ASS'Y, OSCILLATING	2					
2	N010384684	CIVATA	BOLT	8					M22x75
3	N030810005	PUL	WASHER	8					M22
4	H233101100	KİLİT VALFİ	VALVE , LOCK	1					
5	N010380494	CIVATA	BOLT	2					M8x90
6	N030810014	PUL	WASHER	2					M8
7	H203100200	BORU, SOL	PIPE, LH	1					
8	H203100300	BORU, SAĞ	PIPE, RH	1					
9	N072012003	KELEPÇE	CLAMP	12					
10	N015870316	CIVATA	BOLT	12					M6x20
11	N16N910002	DİRSEK	ELBOW	4					90°
12	N183570192	YÜKSÜK	RING	4					
13	N173570192	YÜKSÜKLÜ SOMUN	NUT	4					
14	99M193312	HORTUM KOMPLESİ	HOSE ASS'Y	1					
15	99K193312	HORTUM KOMPLESİ	HOSE ASS'Y	1					
16	99S093337	HORTUM KOMPLESİ	HOSE ASS'Y	1					
17	97Q091225	HORTUM KOMPLESİ	HOSE ASS'Y	1					
18	97Q091223	HORTUM KOMPLESİ	HOSE ASS'Y	1					
19	H203100400	KORUMA SACI	PROTECTION COVER, OSC. CYL.	2					
20	N16K214460	NİPEL	ADAPTER	2					
21	N102001527	O-RİNG	O-RING	2					
22	N16K114341	NİPEL	ADAPTER	2					
23	N102001024	O-RİNG	O-RING	2					
24	N102001322	O-RİNG	O-RING	2					
25	N16K114342	NİPEL	ADAPTER	1					
26	N16K200303	NİPEL	ADAPTER	2					
27	N16K114343	NİPEL	ADAPTER	2					
28	N102001724	O-RİNG	O-RING	2					
31	N010232438	CIVATA	BOLT	6					M10x20
32	N030810015	PUL	WASHER	6					M10
33	99S093328	HORTUM KOMPLESİ	HOSE ASS'Y	6					

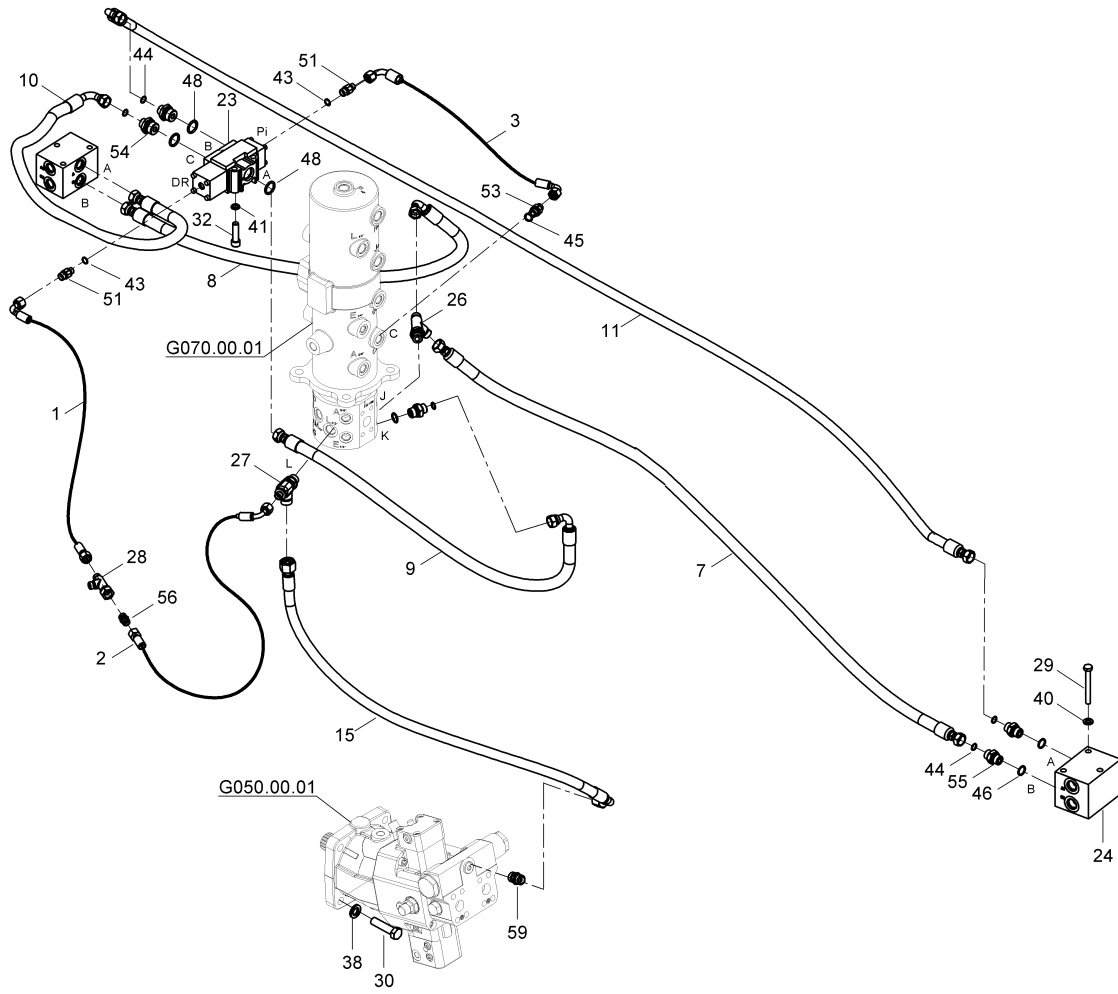
**ALT ŞAŞI HİDROLİK TESİSATI, YÜRÜYÜŞ 1**  
**LOWER FRAME HYDRAULIC PIPING, TRAVEL 1**



**ALT ŞASI HİDROLİK TESİSATI, YÜRÜYÜŞ 1**  
**LOWER FRAME HYDRAULIC PIPING, TRAVEL 1**

No	Parça No	Parça Adı		Adet	S.K.	Bas.S.N	Bit.S.N	Y.K.	Not
No	Part no	Description		Qty	SC	S/N from	S/N to	ICA	Note
4	97S091225	HORTUM KOMPLESİ	HOSE ASS'Y	1					
5	97U092217	HORTUM KOMPLESİ	HOSE ASS'Y	1					
6	97V092217	HORTUM KOMPLESİ	HOSE ASS'Y	1					
12	99Q077710	HORTUM KOMPLESİ	HOSE ASS'Y	1					
13	99Q077717	HORTUM KOMPLESİ	HOSE ASS'Y	1					
14	99Q093216	HORTUM KOMPLESİ	HOSE ASS'Y	1					
18	H203140200	BORU K.M.	PIPE W.A.	1					
19	H203140400	BORU K.M.	PIPE W.A.	1					
20	H203140600	BORU K.M.	PIPE W.A.	1					
21	H203140800	BORU K.M.	PIPE W.A.	1					
33	N015891202	CIVATA	BOLT	10					
34	N015891310	CIVATA	BOLT	6					
36	N030000009	O-RİNGLİ PUL	WASHER	1					
37	N030011109	PUL	WASHER	1					
42	N031360011	YAYLI RONDELA	SPRING WASHER	12					
45	N102001322	O-RİNG	O-RING	3					
46	N102001724	O-RİNG	O-RING	2					
47	N102002317	O-RİNG	O-RING	4					
49	N102003335	O-RİNG	O-RING	4					
50	N102018003	O-RİNG	O-RING	1					
52	N16K114343	NIPEL	ADAPTER	1					
53	N16K114348	NIPEL	ADAPTER	3					
57	N16K214460	NIPEL	ADAPTER	1					
58	N16K220455	NIPEL	ADAPTER	1					

**ALT ŞASI HİDROLİK TESİSATI, YÜRÜYÜŞ 2**  
**LOWER FRAME HYDRAULIC PIPING, TRAVEL 2**

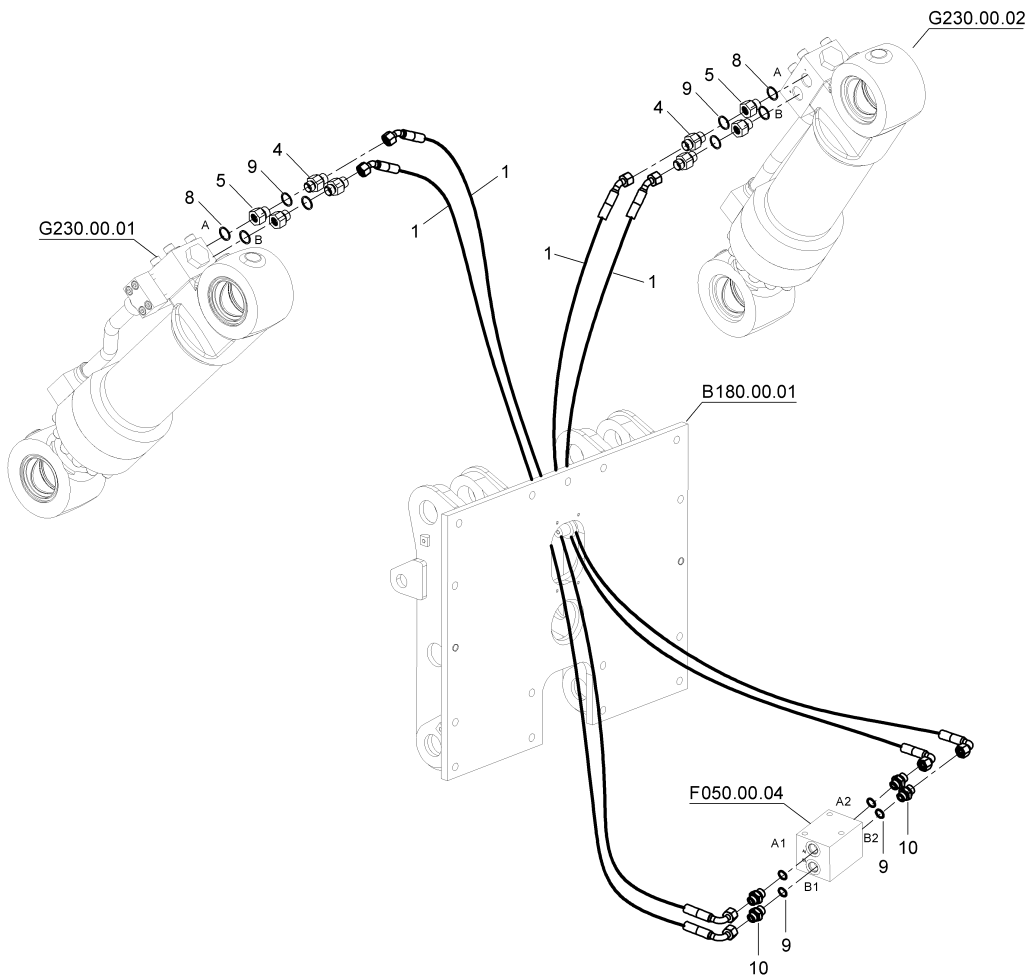




**ALT ŞASI HİDROLİK TESİSATI, YÜRÜYÜŞ 2**  
**LOWER FRAME HYDRAULIC PIPING, TRAVEL 2**

No	Parça No	Parça Adı		Adet	S.K.	Bas.S.N	Bit.S.N	Y.K.	Not
No	Part no	Description		Qty	SC	S/N from	S/N to	ICA	Note
1	97Q091222	HORTUM KOMPLESİ	HOSE ASS'Y	1					
2	97Q091224	HORTUM KOMPLESİ	HOSE ASS'Y	1					
3	97S091225	HORTUM KOMPLESİ	HOSE ASS'Y	1					
7	99N073750	HORTUM KOMPLESİ	HOSE ASS'Y	1					
8	99Q073720	HORTUM KOMPLESİ	HOSE ASS'Y	1					
9	99Q073724	HORTUM KOMPLESİ	HOSE ASS'Y	1					
10	99Q073726	HORTUM KOMPLESİ	HOSE ASS'Y	1					
11	99Q073770	HORTUM KOMPLESİ	HOSE ASS'Y	1					
15	99Q093425	HORTUM KOMPLESİ	HOSE ASS'Y	1					
23	H233125500	SEÇİCİ VALF	SELECTOR VALVE	1					
24	H233125700	T-BLOK	T-BLOCK	2					
26	H323102100	T ADAPTÖR	TEE	1					
27	H343201401	T ADAPTÖR	TEE	1					
28	H343202801	T ADAPTÖR	TEE	1					
29	N010380746	CIVATA	BOLT	6					
30	N010381262	CIVATA	BOLT	4					
32	N015890914	CIVATA	BOLT	3					
38	N030810002	PUL	WASHER	4					
40	N030810015	PUL	WASHER	6					
41	N031360010	YAYLI RONDELA	SPRING WASHER	3					
43	N102001024	O-RİNG	O-RING	2					
44	N102001216	O-RİNG	O-RING	8					
45	N102001322	O-RİNG	O-RING	1					
46	N102001724	O-RİNG	O-RING	4					
48	N102002436	O-RİNG	O-RING	3					
51	N16K114341	NIPEL	ADAPTER	2					
53	N16K114348	NIPEL	ADAPTER	1					
54	N16K130123	NIPEL	ADAPTER	3					
55	N16K130124	NIPEL	ADAPTER	5					
56	N16K200321	NIPEL	ADAPTER	1					
59	N16K250300	NIPEL	ADAPTER	1					

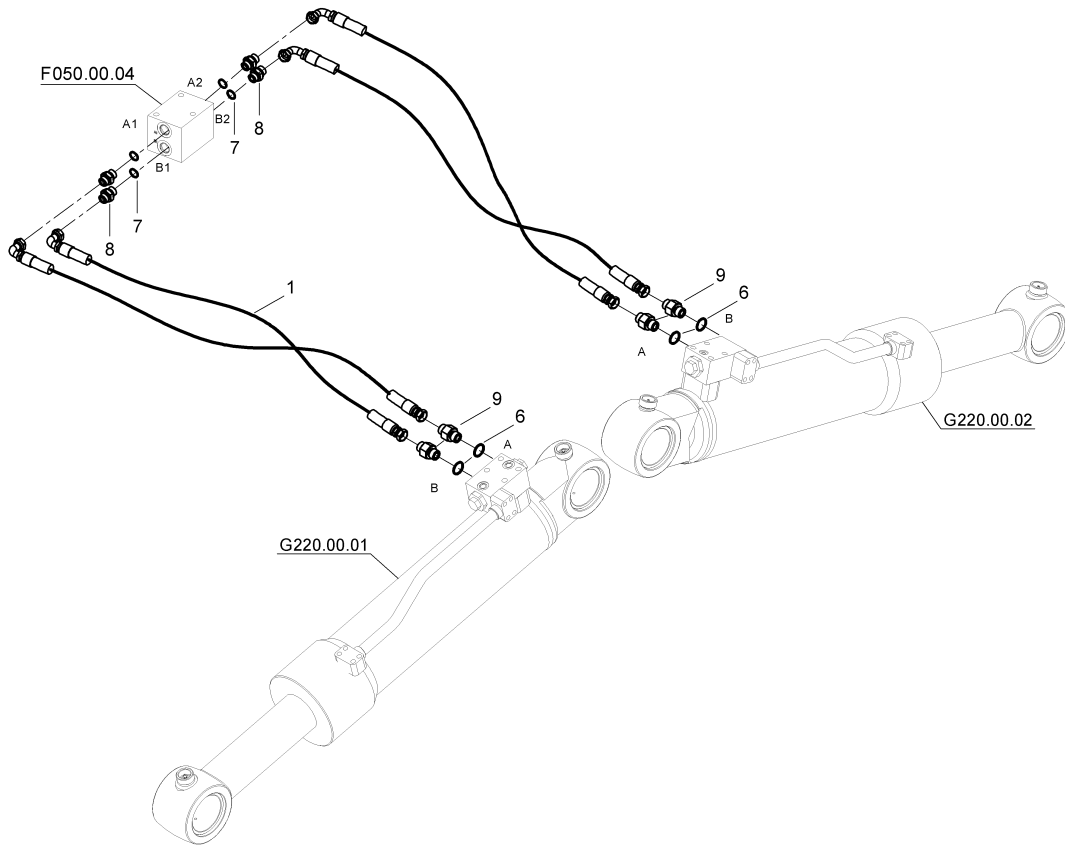
### ALT ŞAŞI HİDROLİK TESİSATI, DOZER LOWER FRAME HYDRAULIC PIPING, DOZER



**ALT ŐASI HİDROLİK TESİSATI, DOZER**  
**LOWER FRAME HYDRAULIC PIPING, DOZER**

No	Parça No	Parça Adı		Adet	S.K.	Bas.S.N	Bit.S.N	Y.K.	Not
No	Part no		Description	Qty	SC	S/N from	S/N to	ICA	Note
1	99L173716	HORTUM KOMPLESİ	HOSE ASS'Y	4					
4	H203123700	NIPEL	ADAPTER	4					
5	H233125800	NIPEL	ADAPTER	4					
8	N102001322	O-RİNG	O-RING	4					
9	N102001724	O-RİNG	O-RING	10					
10	N16K130124	NIPEL	ADAPTER	6					

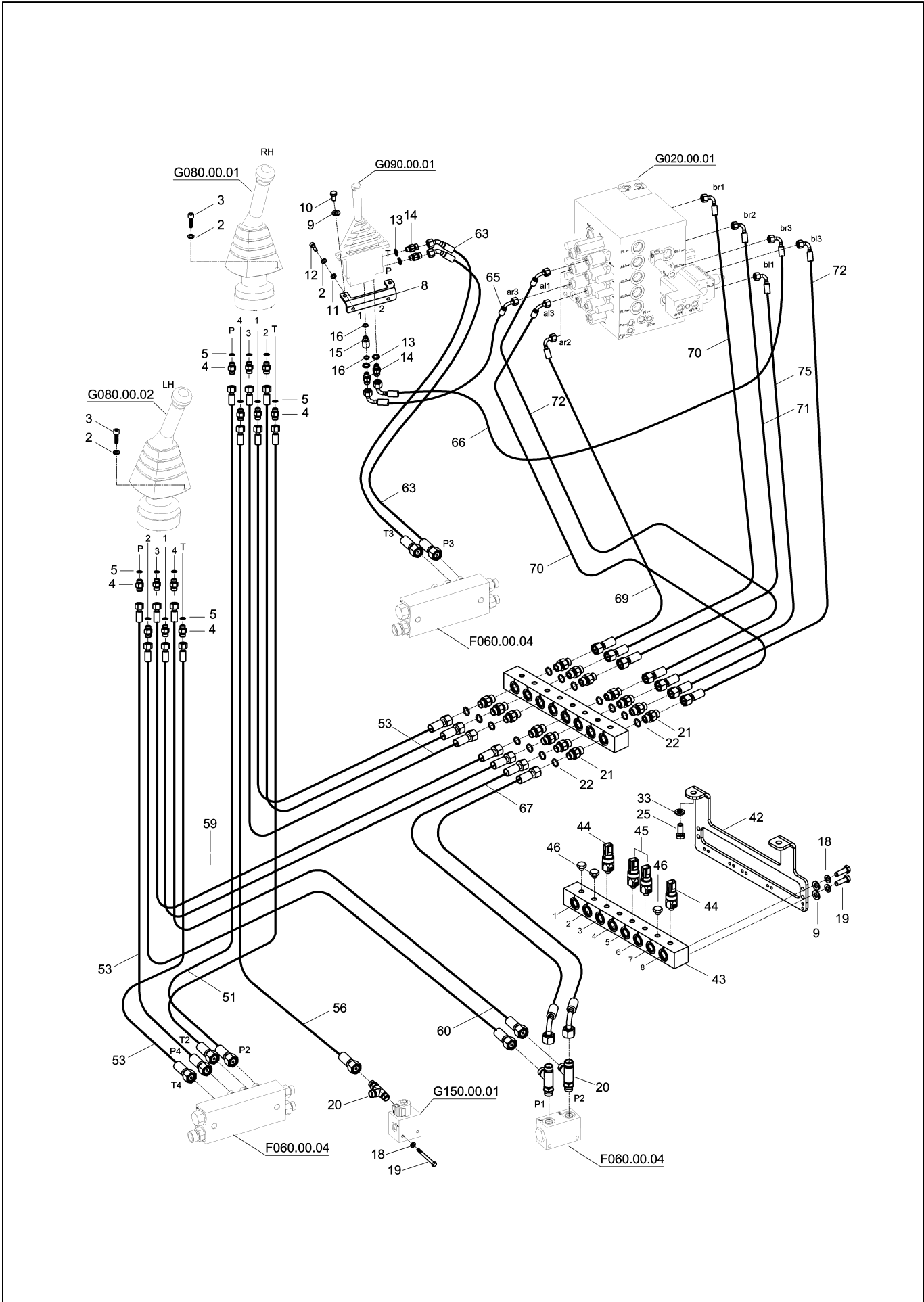
### ALT ŞAŞİ HİDROLİK TESİSATI, AYAK LOWER FRAME HYDRAULIC PIPING, OUTRIGGER



**ALT ŐASI HİDROLİK TESİSATI, AYAK**  
**LOWER FRAME HYDRAULIC PIPING, OUTRIGGER**

No	Parça No	Parça Adı		Adet	S.K.	Bas.S.N	Bit.S.N	Y.K.	Not
No	Part no		Description	Qty	SC	S/N from	S/N to	ICA	Note
1	99Q173712	HORTUM KOMPLESİ	HOSE ASS'Y	4					
6	N102001322	O-RİNG	O-RING	4					
7	N102001724	O-RİNG	O-RING	4					
8	N16K130124	NİPEL	ADAPTER	6					
9	H203122300	NİPEL	ADAPTER	4					

**PİLOT HİDROLİK TESİSATI, ATAÇMAN (1)**  
**PILOT HYD. PIPING, ATTACHMENT (1)**



**PİLOT HİDROLİK TESİSATI, ATAÇMAN (1)**  
**PILOT HYD. PIPING, ATTACHMENT (1)**

No	Parça No	Parça Adı		Adet	S.K.	Bas.S.N	Bit.S.N	Y.K.	Not
No	Part no	Description		Qty	SC	S/N from	S/N to	ICA	Note
2	N031310008	YAYLI RONDELA	SPRING WASHER	10					
3	N015870376	CIVATA	BOLT	8					
4	N16K310365	NİPEL	ADAPTER	12					
5	N102001119	O-RİNG	O-RING	12					
8	H906108700	SAC	PLATE	1					
9	N030810014	PUL	WASHER	6					
10	N010232078	CIVATA	BOLT	2					
11	N030100013	PUL	WASHER	2					
12	N015870314	CIVATA	BOLT	2					
13	N030000004	O-RİNGLİ PUL	WASHER	3					
14	N16K114341	NİPEL	ADAPTER	4					
15	H233521700	NİPEL	ADAPTER	1					
16	N102001024	O-RİNG	O-RING	2					
18	N031310010	YAYLI RONDELA	SPRING WASHER	6					
19	N010232138	CIVATA	BOLT	6					
20	N16T020202	T ADAPTÖR	TEE	3					
21	N16K114348	NİPEL	ADAPTER	14					
22	N102001322	O-RİNG	O-RING	14					
25	N010232462	CIVATA	BOLT	2					
33	N030810015	PUL	WASHER	2					
42	H253210101	BRAKET	BRACKET	1					
43	H253210300	BLOK, PİLOT	BLOCK, PILOT	1					
44	H343201802	MÜŞİR, BASINÇ	SWITCH, PRESSURE	2					
45	H233520601	MÜŞİR, BASINÇ	SWITCH, PRESSURE	2					
46	H253210500	TAPA	PLUG	3					
51	97N091230	HORTUM KOMPLESİ	HOSE ASS'Y	2					
53	97N091228	HORTUM KOMPLESİ	HOSE ASS'Y	5					
56	97N091246	HORTUM KOMPLESİ	HOSE ASS'Y	1					
59	97N091229	HORTUM KOMPLESİ	HOSE ASS'Y	2					
60	97N091239	HORTUM KOMPLESİ	HOSE ASS'Y	2					
63	97P091230	HORTUM KOMPLESİ	HOSE ASS'Y	2					
65	97U091250	HORTUM KOMPLESİ	HOSE ASS'Y	1					
66	97S091250	HORTUM KOMPLESİ	HOSE ASS'Y	1					
67	97Q091223	HORTUM KOMPLESİ	HOSE ASS'Y	2					
69	97Q091230	HORTUM KOMPLESİ	HOSE ASS'Y	1					
70	97Q091229	HORTUM KOMPLESİ	HOSE ASS'Y	2					
71	97Q091228	HORTUM KOMPLESİ	HOSE ASS'Y	1					
72	97Q091231	HORTUM KOMPLESİ	HOSE ASS'Y	2					
75	97Q091232	HORTUM KOMPLESİ	HOSE ASS'Y	1					





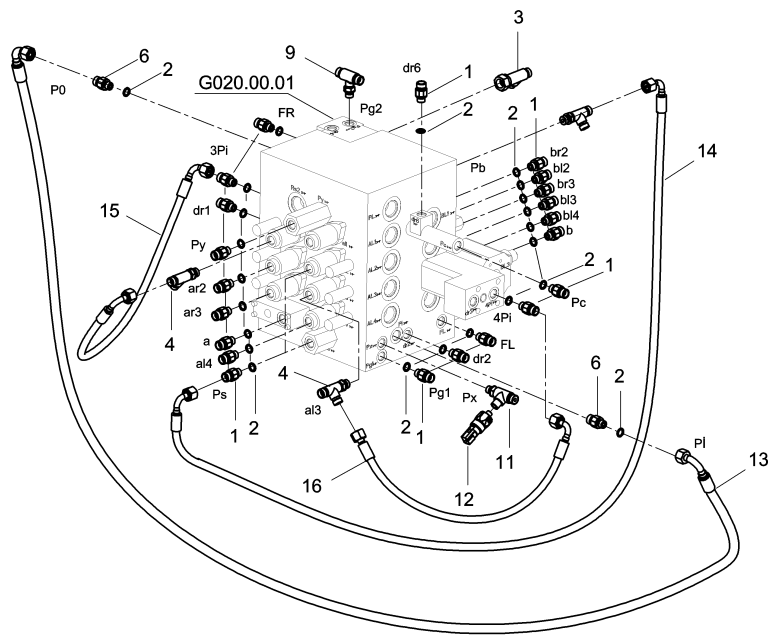
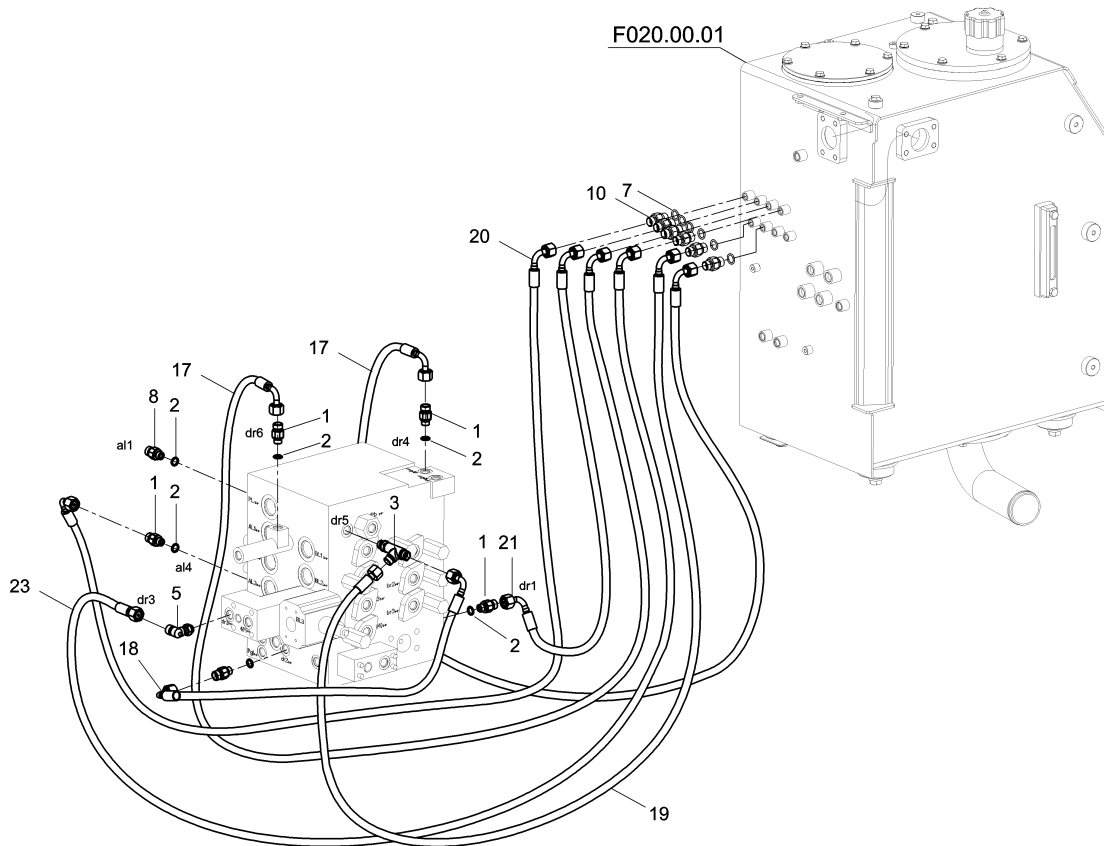
**PİLOT HİDROLİK TESİSATI, ATAÇMAN (2)**  
**PILOT HYD. PIPING, ATTACHMENT (2)**

No	Parça No	Parça Adı		Adet	S.K.	Bas.S.N	Bit.S.N	Y.K.	Not
No	Part no	Description		Qty	SC	S/N from	S/N to	ICA	Note
11	N030100013	PUL	WASHER	4					
13	N102001024	O-RİNG	O-RİNG	7					
14	N16K114341	NİPEL	ADAPTER	7					
18	N031310010	YAYLI RONDELA	SPRING WASHER	4					
19	N010232138	CIVATA	BOLT	2					
20	N16T020202	T ADAPTÖR	TEE	2					
21	N16K114348	NİPEL	ADAPTER	9					
22	N102001322	O-RİNG	O-RİNG	9					
23	H203201000	BRAKET K.M.	BRACKET W.A.	1					
24	N030020121	PUL	WASHER	12					
25	N010232462	CIVATA	BOLT	2					
27	H343201601	VEYA VALFİ	SHUTTLE VALVE	2					
28	N010380302	CIVATA	BOLT	4					
29	N16N910001	DİRSEK	ELBOW	1					
30	H233203100	DAĞITICI KOMPLESİ, PİLOT	MANIFOLD ASS'Y, PILOT	1					
30-1	H343200600	BLOK, PİLOT DAĞITICI	MANIFOLD, PILOT	1					
30-2	N16K114343	NİPEL	ADAPTER	1					
30-3	N102001724	O-RİNG	O-RİNG	4					
30-4	N16K114341	NİPEL	ADAPTER	6					
30-5	N102001024	O-RİNG	O-RİNG	10					
30-6	N16X120003	TAPA	PLUG	1					
30-7	N16X120004	TAPA	PLUG	4					
30-9	H343200700	NİPEL	ADAPTER	1					
31	N010380674	CIVATA	BOLT	2					
32	H343204100	SAC	PLATE	2					
33	N030810015	PUL	WASHER	4					
34	N015890794	CIVATA	BOLT	4					
35	H343202000	KELEPÇE K.M.	CLAMP W.A.	1					
36	N010232486	CIVATA	BOLT	8					
37	H343201901	KELEPÇE	CLAMP	1					
38	H340102500	LASTİK	RUBBER	1					
39	H253210600	KELEPÇE K.M.	CLAMP W.A.	1					
40	H253210401	KELEPÇE	CLAMP	1					
41	H250102100	LASTİK	RUBBER	1					
48	N16K114343	NİPEL	ADAPTER	1					
49	N102001723	O-RİNG	O-RİNG	1					
50	N010222138	CIVATA	BOLT	2					
76	97T091219	HORTUM KOMPLESİ	HOSE ASS'Y	1					
77	97S091209	HORTUM KOMPLESİ	HOSE ASS'Y	2					
78	97Q091208	HORTUM KOMPLESİ	HOSE ASS'Y	1					
79	97Q091236	HORTUM KOMPLESİ	HOSE ASS'Y	2					
80	97V091239	HORTUM KOMPLESİ	HOSE ASS'Y	1					
81	97U091256	HORTUM KOMPLESİ	HOSE ASS'Y	1					
83	97N091256	HORTUM KOMPLESİ	HOSE ASS'Y	1					
84	97Q091256	HORTUM KOMPLESİ	HOSE ASS'Y	1					
85	97S091236	HORTUM KOMPLESİ	HOSE ASS'Y	1					
86	99V093263	HORTUM KOMPLESİ	HOSE ASS'Y	1					
87	97Q091250	HORTUM KOMPLESİ	HOSE ASS'Y	1					
89	97T091209	HORTUM KOMPLESİ	HOSE ASS'Y	1					





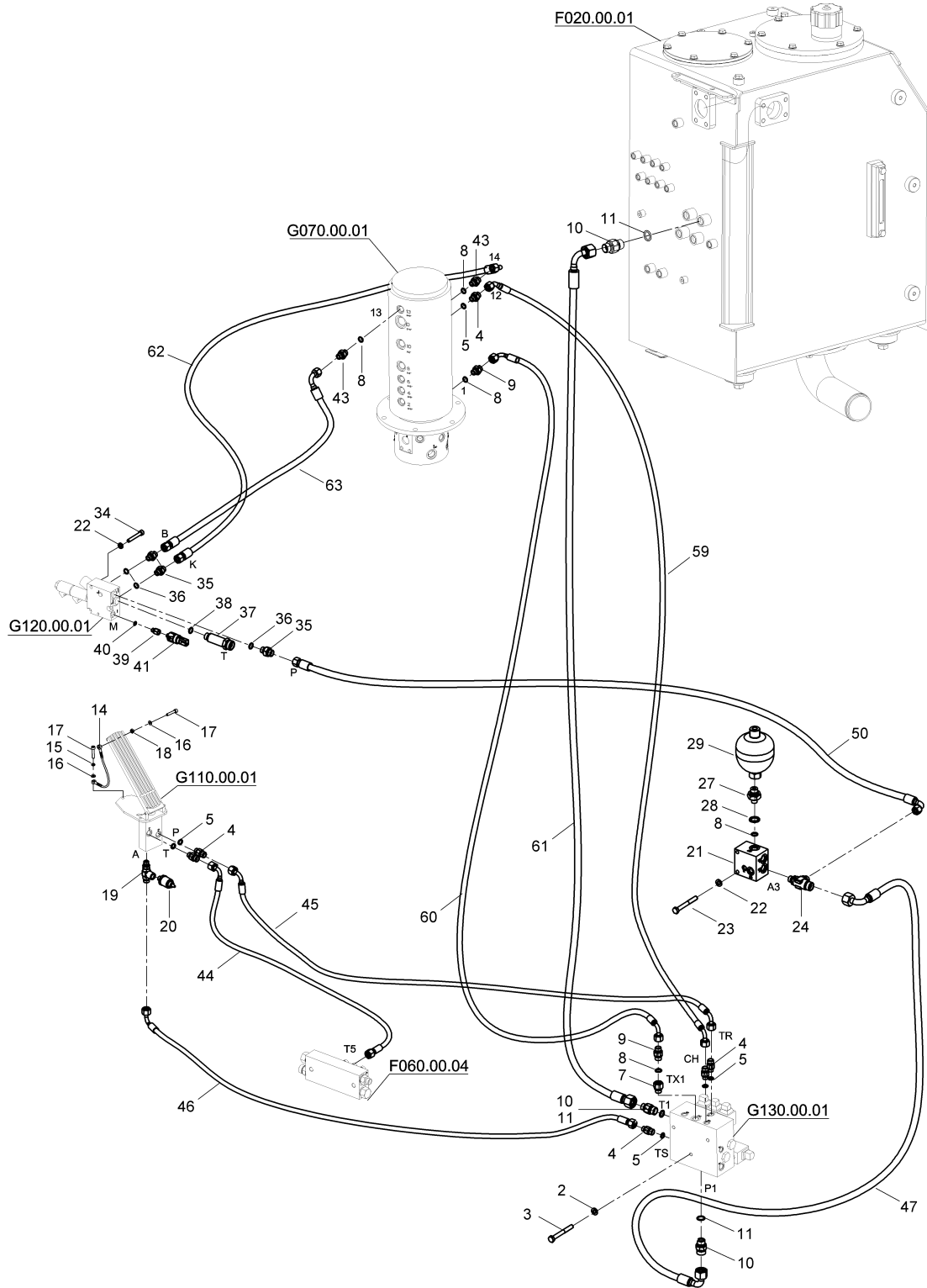
**PILOT HİDROLİK TESİSATI, AKV  
PILOT HYD. PIPING, M.C.V.**



**PİLOT HİDROLİK TESİSATI, AKV  
PILOT HYD. PIPING, M.C.V.**

No	Parça No	Parça Adı		Adet	S.K.	Bas.S.N	Bit.S.N	Y.K.	Not
No	Part no	Description		Qty	SC	S/N from	S/N to	ICA	Note
1	N16K114341	NİPEL	ADAPTER	25					
2	N102001024	O-RİNG	O-RİNG	27					
3	H343202801	T ADAPTÖR	TEE	2					
4	N16T020202	T ADAPTÖR	TEE	3					
5	N16N910001	DIRSEK	ELBOW	1					
6	N16K114342	NİPEL	ADAPTER	2					
7	N102001322	O-RİNG	O-RİNG	8					
8	N16K114391	NİPEL	ADAPTER	2					
9	N16R020202	T ADAPTÖR	TEE	1					
10	N16K114348	NİPEL	ADAPTER	6					
11	H343201702	T ADAPTÖR	TEE	1					
12	H343201802	MÜŞİR, BASINÇ	SWITCH, PRESSURE	1					
13	99S092524	HORTUM KOMPLESİ	HOSE ASS'Y	1					
14	97S091218	HORTUM KOMPLESİ	HOSE ASS'Y	1					
15	97S091222	HORTUM KOMPLESİ	HOSE ASS'Y	1					
16	97Q091214	HORTUM KOMPLESİ	HOSE ASS'Y	1					
17	97V091240	HORTUM KOMPLESİ	HOSE ASS'Y	2					
18	97V091210	HORTUM KOMPLESİ	HOSE ASS'Y	1					
19	97Q091238	HORTUM KOMPLESİ	HOSE ASS'Y	1					
20	97V091234	HORTUM KOMPLESİ	HOSE ASS'Y	1					
21	97S091234	HORTUM KOMPLESİ	HOSE ASS'Y	1					
23	97Q091240	HORTUM KOMPLESİ	HOSE ASS'Y	1					

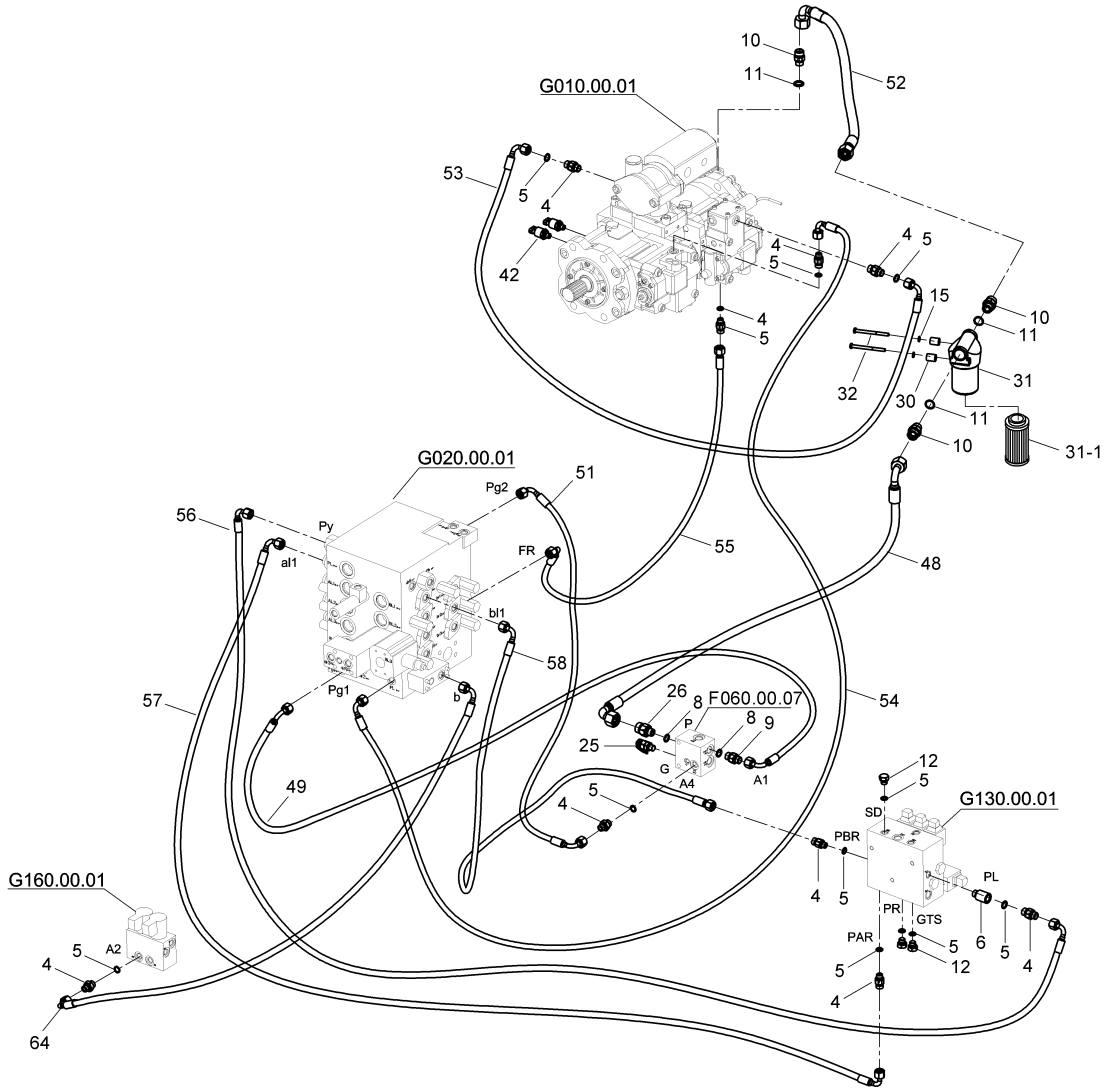
# PILOT VE ŞANZIMAN HİDROLİK TESİSATI (1) PILOT AND TRANSMISSION HYD. PIPING (1)



**PİLOT VE ŞANZIMAN HİDROLİK TESİSATI (1)**  
**PILOT AND TRANSMISSION HYD. PIPING (1)**

No	Parça No	Parça Adı		Adet	S.K.	Bas.S.N	Bit.S.N	Y.K.	Not
No	Part no	Description		Qty	SC	S/N from	S/N to	ICA	Note
2	N031310011	YAYLI RONDELA	SPRING WASHER	3					
3	N010232462	CIVATA	BOLT	3					
4	N16K114341	NIPEL	ADAPTER	6					
5	N102001024	O-RİNG	O-RING	6					
7	H233521800	NIPEL	ADAPTER	1					
8	N102001322	O-RİNG	O-RING	6					
9	N16K114348	NIPEL	ADAPTER	2					
10	N16K114343	NIPEL	ADAPTER	3					
11	N102001724	O-RİNG	O-RING	3					
14	H233521900	TEL, PEDAL	CABLE, PILOT V/V	1					
15	N031310008	YAYLI RONDELA	SPRING WASHER	3					
16	N030100013	PUL	WASHER	4					
17	N015890350	CIVATA	BOLT	4					
18	N023570158	SOMUN	NUT	1					
19	H233520800	T ADAPTÖR	TEE	1					
20	H233520701	SENSÖR, BASINÇ	SENSOR, PRESSURE	1					
21	H343202301	ÇEK VALF, PİLOT	CHECK VALVE, PILOT	1					
22	N031310010	YAYLI RONDELA	SPRING WASHER	5					
23	N010380470	CIVATA	BOLT	2					
24	H233522400	T ADAPTÖR	TEE	1					
27	N16K520107	NIPEL	ADAPTER	1					
28	N030000015	O-RİNGLİ PUL	WASHER	1					
29	H233520400	AKÜMÜLATÖR	ACCUMULATOR	1					
34	N015890554	CIVATA	BOLT	3					
35	N16K214454	NIPEL	ADAPTER	3					
36	N102001321	O-RİNG	O-RING	3					
37	H233522500	NIPEL	ADAPTER	1					
38	N102001527	O-RİNG	O-RING	1					
39	H233522300	NIPEL	ADAPTER	1					
40	N102000816	O-RİNG	O-RING	1					
41	H233520601	MÜŞİR, BASINÇ	SWITCH, PRESSURE	1					
43	N16K114342	NIPEL	ADAPTER	2					
44	97Q091220	HORTUM KOMPLESİ	HOSE ASS'Y	1					
45	97S091278	HORTUM KOMPLESİ	HOSE ASS'Y	1					
46	97Q091282	HORTUM KOMPLESİ	HOSE ASS'Y	1					
47	99T093210	HORTUM KOMPLESİ	HOSE ASS'Y	1					
50	97Q092260	HORTUM KOMPLESİ	HOSE ASS'Y	1					
59	97M091232	HORTUM KOMPLESİ	HOSE ASS'Y	1					
60	97V091244	HORTUM KOMPLESİ	HOSE ASS'Y	1					
61	99Q093237	HORTUM KOMPLESİ	HOSE ASS'Y	1					
62	97Q092224	HORTUM KOMPLESİ	HOSE ASS'Y	1					
63	97Q092222	HORTUM KOMPLESİ	HOSE ASS'Y	1					

### PİLOT VE ŞANZIMAN HİDROLİK TESİSATI (2) PILOT AND TRANSMISSION HYD. PIPING (2)

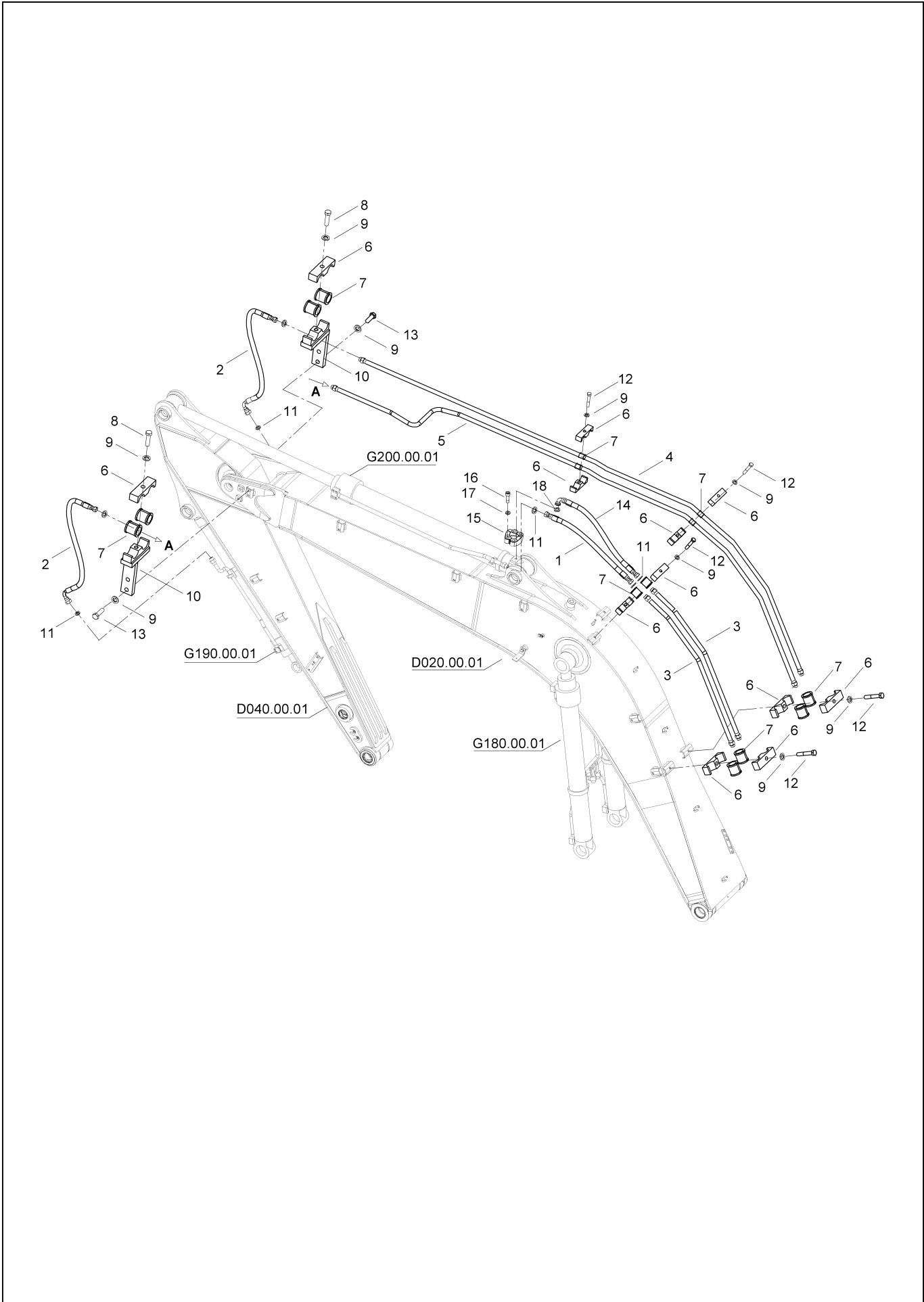




**PİLOT VE ŞANZIMAN HİDROLİK TESİSATI (2)**  
**PILOT AND TRANSMISSION HYD. PIPING (2)**

No	Parça No	Parça Adı		Adet	S.K.	Bas.S.N	Bit.S.N	Y.K.	Not
No	Part no	Description		Qty	SC	S/N from	S/N to	ICA	Note
4	N16K114341	NİPEL	ADAPTER	9					
5	N102001024	O-RİNG	O-RING	12					
6	H233521700	NİPEL	ADAPTER	1					
8	N102001322	O-RİNG	O-RING	2					
9	N16K114348	NİPEL	ADAPTER	1					
10	N16K114343	NİPEL	ADAPTER	3					
11	N102001724	O-RİNG	O-RING	3					
12	N16X120004	TAPA	PLUG	3					
15	N031310008	YAYLI RONDELA	SPRING WASHER	2					
25	F9970100	MANOMETRE PRİZİ	COUPLING, PRESSURE	1					
26	N16K114357	NİPEL	ADAPTER	1					
30	H343201300	YÜKSÜK	SPACER	2					
31	H343201100	FİLTRE KOMPLESİ, PİLOT	FILTER ASS'Y, PILOT	1					
31-1	H343201200	FİLTRE, PİLOT	FILTER, PILOT	1					
32	N010370356	CIVATA	BOLT	2					
42	H343206202	SENSÖR, BASINÇ	SENSOR, PRESSURE	2					
48	99V093215	HORTUM KOMPLESİ	HOSE ASS'Y	1					
49	97U091240	HORTUM KOMPLESİ	HOSE ASS'Y	1					
51	97S091242	HORTUM KOMPLESİ	HOSE ASS'Y	1					
52	99Q093211	HORTUM KOMPLESİ	HOSE ASS'Y	1					
53	97S091213	HORTUM KOMPLESİ	HOSE ASS'Y	1					
54	97S091257	HORTUM KOMPLESİ	HOSE ASS'Y	1					
55	97Q091247	HORTUM KOMPLESİ	HOSE ASS'Y	1					
56	97S091234	HORTUM KOMPLESİ	HOSE ASS'Y	1					
57	97S091238	HORTUM KOMPLESİ	HOSE ASS'Y	1					
58	97Q091238	HORTUM KOMPLESİ	HOSE ASS'Y	1					
64	97S091256	HORTUM KOMPLESİ	HOSE ASS'Y	1					

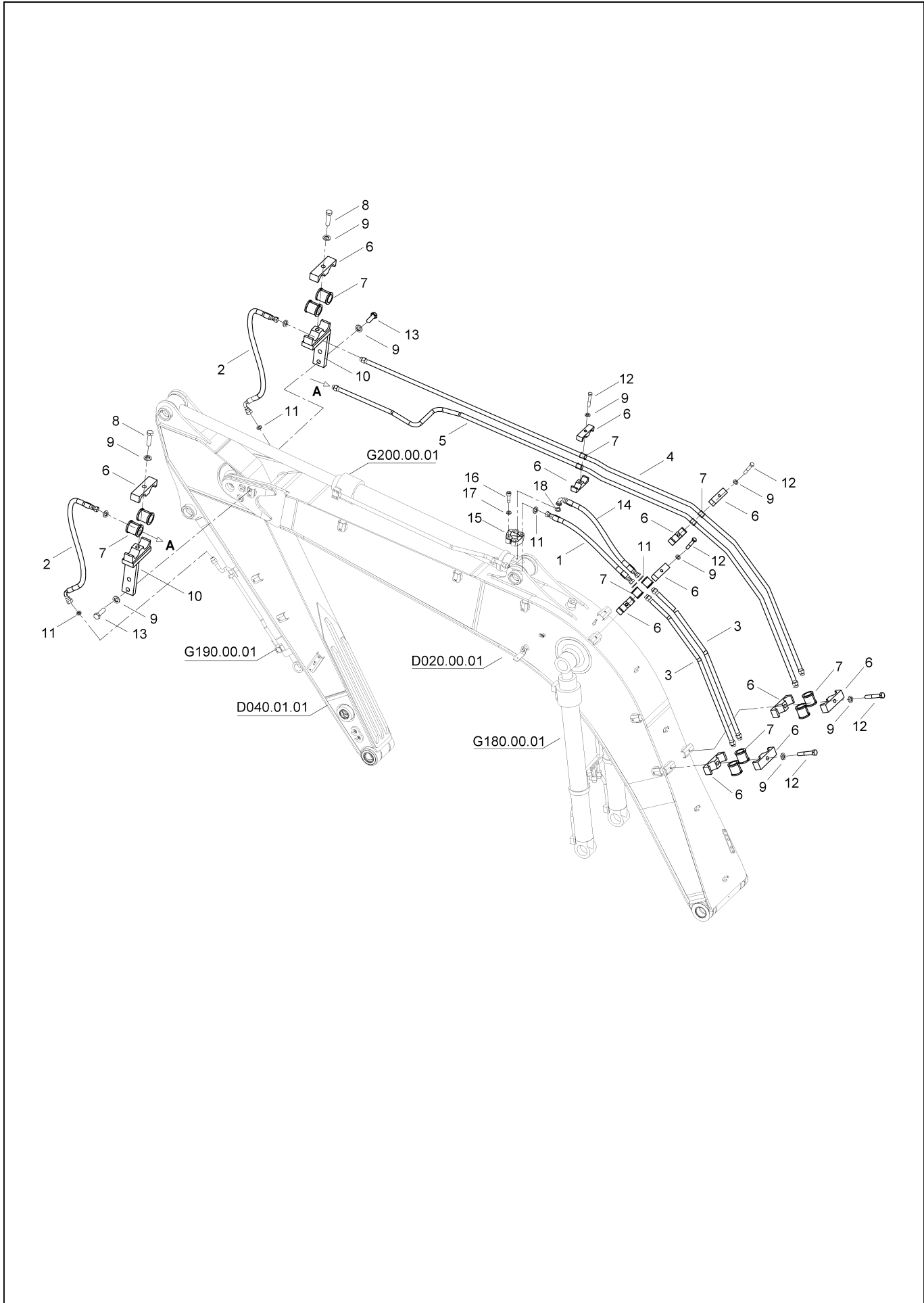
### ATAÇMAN TESİSATI (2.3m) ATTACHMENT PIPING (2.3m)



**ATAÇMAN TESİSATI (2.3m)**  
**ATTACHMENT PIPING (2.3m)**

No	Parça No	Parça Adı	Description	Adet	S.K.	Bas.S.N	Bit.S.N	Y.K.	Not
No	Part no			Qty	SC	S/N from	S/N to	ICA	Note
1	99N074716	HORTUM KOMPLESİ	HOSE ASS'Y	1					
2	H203302700	HORTUM KOMPLESİ	HOSE ASS'Y	2					
3	H203302101	TESİSAT BORUSU K.M.	PIPE W.A.	2					
4	H203302301	TESİSAT BORUSU K.M.	PIPE W.A.	1					
5	H203302501	TESİSAT BORUSU K.M.	PIPE W.A.	1					
6	H203300700	KELEPÇE	CLAMP	12					
7	H203301200	LASTİK	RUBBER	14					
8	N010232882	CIVATA	BOLT	2					M12x45
9	N030810001	PUL	WASHER	11					M12
10	H203300800	KELEPÇE K.M.	CLAMP W.A.	2					
11	N102001817	O-RİNG	O-RING	7					
12	N010380914	CIVATA	BOLT	5					M12x70
13	N010232870	CIVATA	BOLT	4					M12x40
14	H203302900	HORTUM KOMPLESİ	HOSE ASS'Y	1					
15	N16J420102	YARIM FLANŞ	FLANGE, SPLIT	2					
16	N015890830	CIVATA	BOLT	4					M10x35
17	N031310011	YAYLI RONDELA	SPRING WASHER	4					
18	N102003335	O-RİNG	O-RING	1					

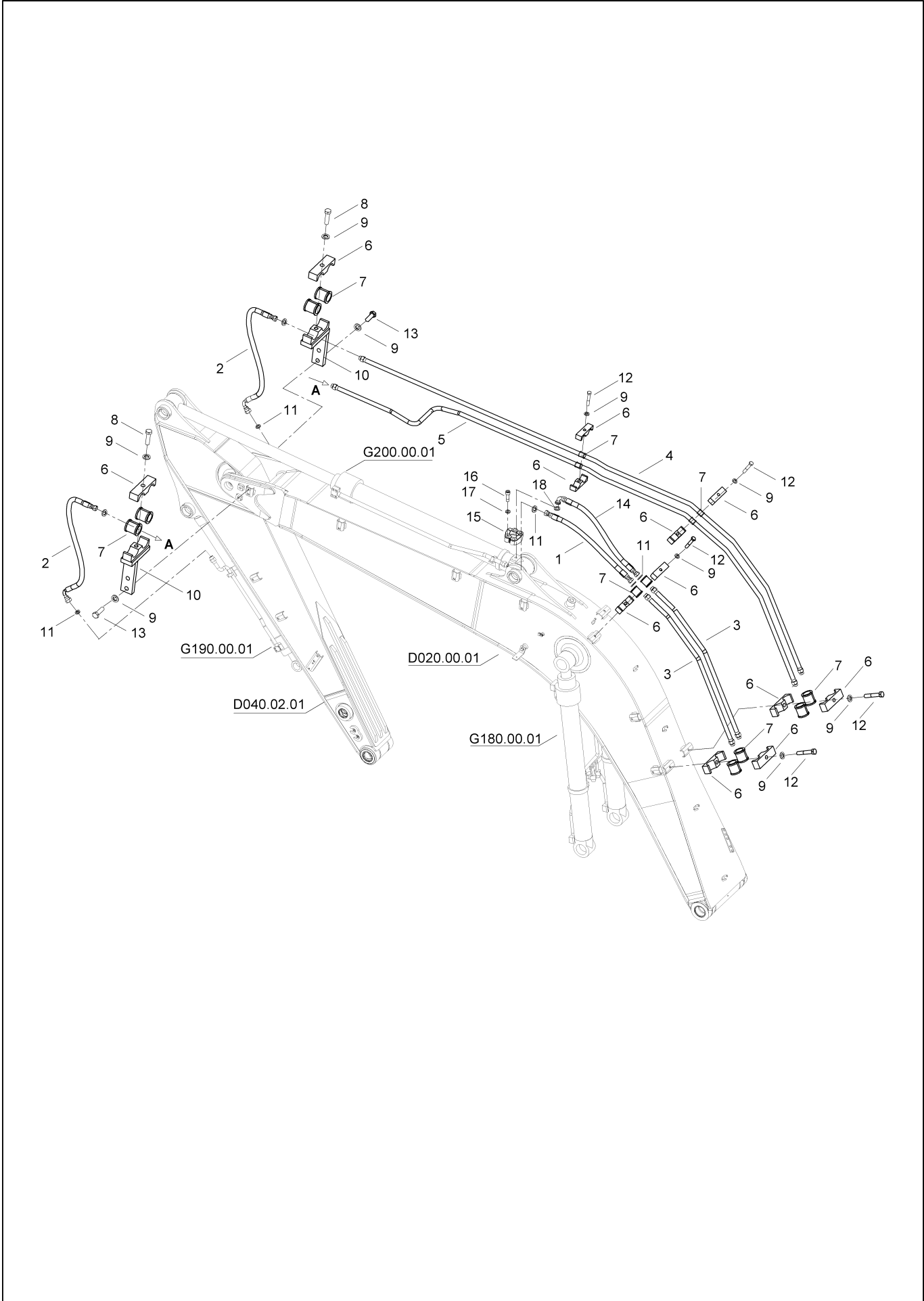
### ATAÇMAN TESİSATI (2.9m) ATTACHMENT PIPING (2.9m)



**ATAÇMAN TESİSATI (2.9m)**  
**ATTACHMENT PIPING (2.9m)**

No	Parça No	Parça Adı	Description	Adet	S.K.	Bas.S.N	Bit.S.N	Y.K.	Not
No	Part no			Qty	SC	S/N from	S/N to	ICA	Note
1	99N074716	HORTUM KOMPLESİ	HOSE ASS'Y	1					
2	99Q174736	HORTUM KOMPLESİ	HOSE ASS'Y	2					
3	H203302101	TESİSAT BORUSU K.M.	PIPE W.A.	2					
4	H203302301	TESİSAT BORUSU K.M.	PIPE W.A.	1					
5	H203302501	TESİSAT BORUSU K.M.	PIPE W.A.	1					
6	H203300700	KELEPÇE	CLAMP	12					
7	H203301200	LASTİK	RUBBER	14					
8	N010232882	CIVATA	BOLT	2					M12x45
9	N030810001	PUL	WASHER	11					M12
10	H203300800	KELEPÇE K.M.	CLAMP W.A.	2					
11	N102001817	O-RİNG	O-RING	7					
12	N010380914	CIVATA	BOLT	5					M12x70
13	N010232870	CIVATA	BOLT	4					M12x40
14	H203302900	HORTUM KOMPLESİ	HOSE ASS'Y	1					
15	N16J420102	YARIM FLANŞ	FLANGE, SPLIT	2					
16	N015890830	CIVATA	BOLT	4					M10x35
17	N031310011	YAYLI RONDELA	SPRING WASHER	4					
18	N102003335	O-RİNG	O-RING	1					

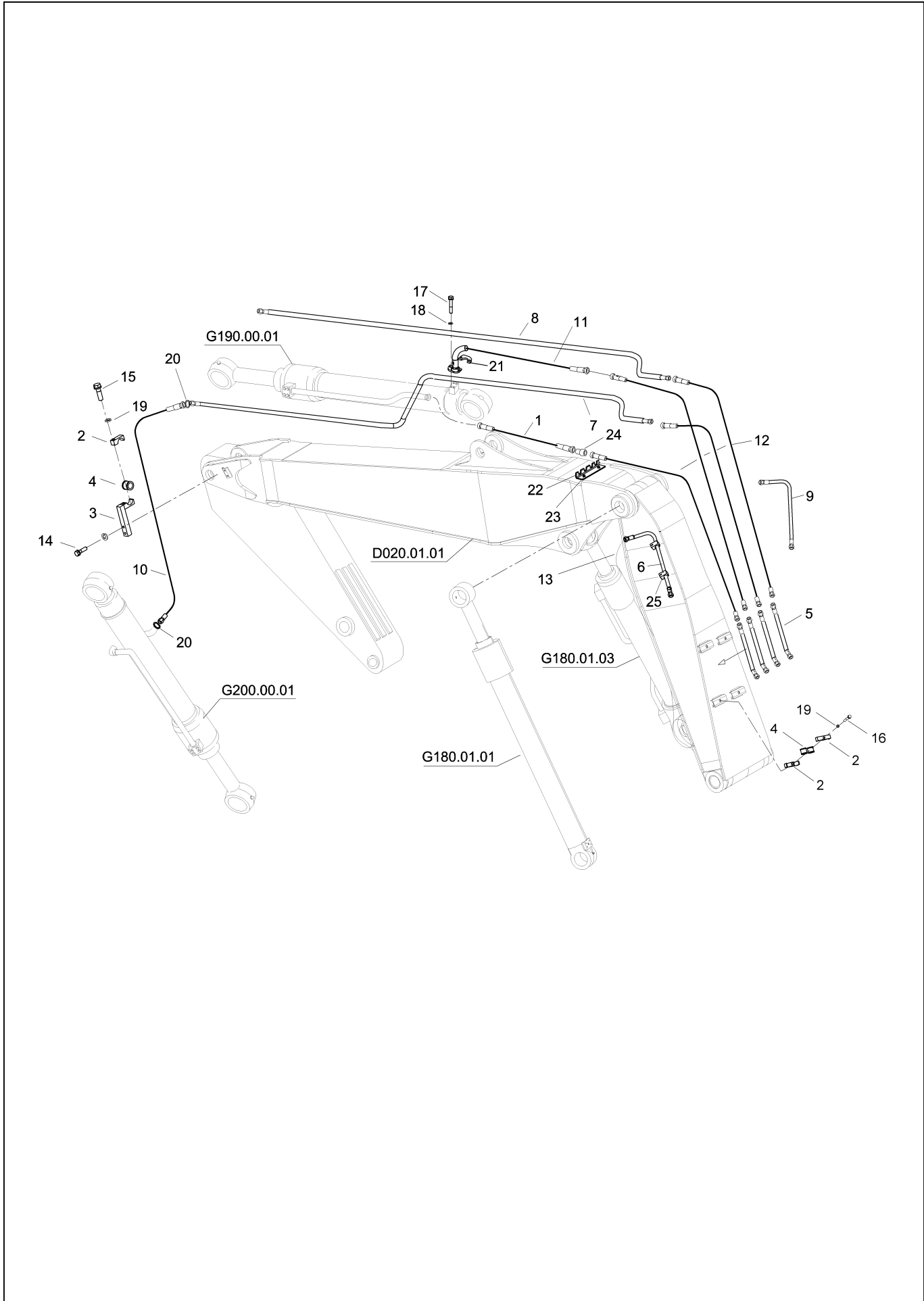
### ATAÇMAN TESİSATI (2.6m) ATTACHMENT PIPING (2.6m)



**ATAÇMAN TESİSATI (2.6m)**  
**ATTACHMENT PIPING (2.6m)**

No	Parça No	Parça Adı	Description	Adet	S.K.	Bas.S.N	Bit.S.N	Y.K.	Not
No	Part no			Qty	SC	S/N from	S/N to	ICA	Note
1	99N074716	HORTUM KOMPLESİ	HOSE ASS'Y	1					
2	99Q174732	HORTUM KOMPLESİ	HOSE ASS'Y	2					
3	H203302101	TESİSAT BORUSU K.M.	PIPE W.A.	2					
4	H203302301	TESİSAT BORUSU K.M.	PIPE W.A.	1					
5	H203302501	TESİSAT BORUSU K.M.	PIPE W.A.	1					
6	H203300700	KELEPÇE	CLAMP	12					
7	H203301200	LASTİK	RUBBER	14					
8	N010232882	CIVATA	BOLT	2					M12x45
9	N030810001	PUL	WASHER	11					M12
10	H203300800	KELEPÇE K.M.	CLAMP W.A.	2					
11	N102001817	O-RİNG	O-RING	7					
12	N010380914	CIVATA	BOLT	5					M12x70
13	N010232870	CIVATA	BOLT	4					M12x40
14	H203302900	HORTUM KOMPLESİ	HOSE ASS'Y	1					
15	N16J420102	YARIM FLANŞ	FLANGE, SPLIT	2					
16	N015890830	CIVATA	BOLT	4					M10x35
17	N031310011	YAYLI RONDELA	SPRING WASHER	4					
18	N102003335	O-RİNG	O-RING	1					

**ATAÇMAN TESİSATI (2 PARÇALI BOM, 2.3m)**  
**ATTACHMENT PIPING (TWO PIECES BOOM, 2.3m)**





**ATAÇMAN TESİSATI (2 PARÇALI BOM, 2.3m)**  
**ATTACHMENT PIPING (TWO PIECES BOOM, 2.3m)**

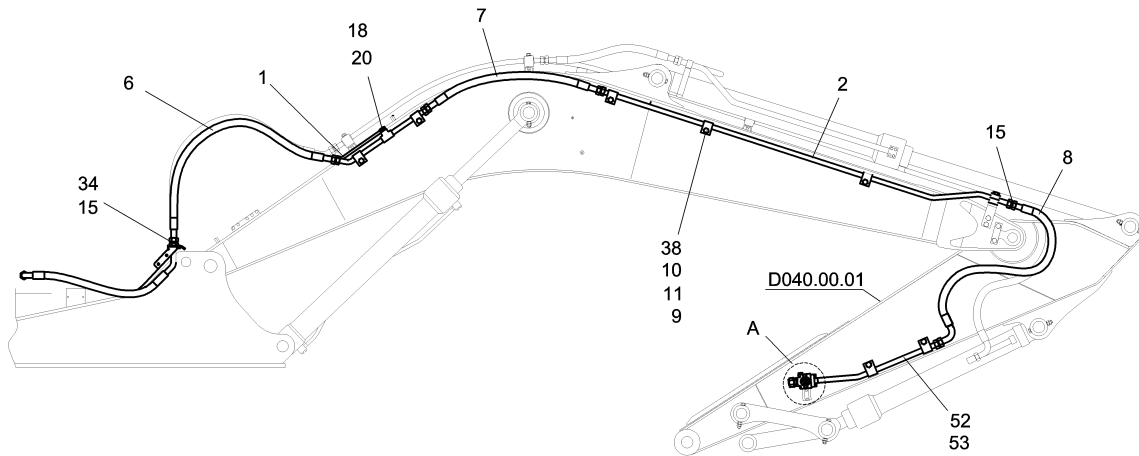
No	Parça No	Parça Adı		Adet	S.K.	Bas.S.N	Bit.S.N	Y.K.	Not
No	Part no	Description		Qty	SC	S/N from	S/N to	ICA	Note
1	99N074716	HORTUM KOMPLESİ	HOSE ASS'Y	1					
2	H203300700	KELEPÇE	CLAMP	20					
3	H203300800	KELEPÇE K.M.	CLAMP W.A.	2					
4	H203301200	LASTİK	RUBBER	20					
5	H203311500	TESİSAT BORUSU K.M.	PIPE W.A.	4					
6	H203311700	TESİSAT BORUSU K.M.	PIPE W.A.	1					
7	H203311900	TESİSAT BORUSU K.M.	PIPE W.A.	1					
8	H203312100	TESİSAT BORUSU K.M.	PIPE W.A.	1					
9	H203312400	TESİSAT BORUSU K.M.	PIPE W.A.	1					
10	99N074722	HORTUM KOMPLESİ	HOSE ASS'Y	2					
11	H203302900	HORTUM KOMPLESİ	HOSE ASS'Y	1					
12	99N074722	HORTUM KOMPLESİ	HOSE ASS'Y	4					
13	H203310700	HORTUM KOMPLESİ	HOSE ASS'Y	2					
14	N010232870	CIVATA	BOLT	4					M12x40
15	N010232882	CIVATA	BOLT	2					M12x45
16	N010380914	CIVATA	BOLT	15					M12x70
17	N015890830	CIVATA	BOLT	4					M10x35
18	N031310011	YAYLI RONDELA	SPRING WASHER	4					
19	N031310012	YAYLI RONDELA	SPRING WASHER	15					
20	N102001817	O-RİNG	O-RING	15					
21	N16J420102	YARIM FLANŞ	FLANGE, SPLIT	2					
22	H203312200	BRAKET	BRACKET	1					
23	N010232822	CIVATA	BOLT	2					M12x25
24	N16K600304	NIPEL	ADAPTER	2					
25	H200100900	KELEPÇE	CLAMP	4					



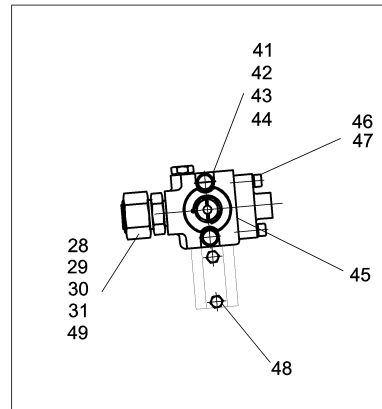
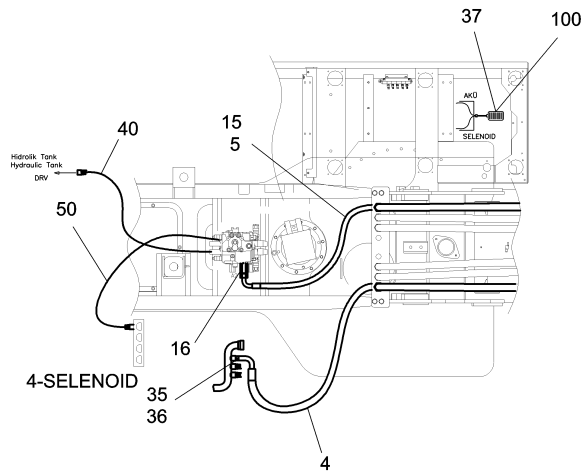
**ATAÇMAN TESİSATI (2 PARÇALI BOM, 2.9m)**  
**ATTACHMENT PIPING (TWO PIECES BOOM, 2.9m)**

No	Parça No	Parça Adı	Description	Adet	S.K.	Bas.S.N	Bit.S.N	Y.K.	Not
No	Part no			Qty	SC	S/N from	S/N to	ICA	Note
1	99N074716	HORTUM KOMPLESİ	HOSE ASS'Y	1					
2	H203300700	KELEPÇE	CLAMP	20					
3	H203300800	KELEPÇE K.M.	CLAMP W.A.	2					
4	H203301200	LASTİK	RUBBER	20					
5	H203311500	TESİSAT BORUSU K.M.	PIPE W.A.	4					
6	H203311400	TESİSAT BORUSU K.M.	PIPE W.A.	1					
7	H203311900	TESİSAT BORUSU K.M.	PIPE W.A.	1					
8	H203312100	TESİSAT BORUSU K.M.	PIPE W.A.	1					
9	H203312400	TESİSAT BORUSU K.M.	PIPE W.A.	1					
10	99Q174736	HORTUM KOMPLESİ	HOSE ASS'Y	2					
11	H203302900	HORTUM KOMPLESİ	HOSE ASS'Y	1					
12	H203302700	HORTUM KOMPLESİ	HOSE ASS'Y	4					
13	H203310700	HORTUM KOMPLESİ	HOSE ASS'Y	2					
14	N010232870	CIVATA	BOLT	4					M12x40
15	N010232882	CIVATA	BOLT	2					M12x45
16	N010380914	CIVATA	BOLT	15					M12x70
17	N015890830	CIVATA	BOLT	4					M10x35
18	N031310011	YAYLI RONDELA	SPRING WASHER	4					
19	N031310012	YAYLI RONDELA	SPRING WASHER	15					
20	N102001817	O-RİNG	O-RING	15					
21	N16J420102	YARIM FLANŞ	FLANGE, SPLIT	2					
22	H203312200	BRAKET	BRACKET	1					
23	N010232822	CIVATA	BOLT	2					M12x25
24	N16K600304	NIPEL	ADAPTER	2					
25	H200100900	KELEPÇE	CLAMP	4					

**TEK ETKİLİ HİDROLİK TESİSATI (2.3m)**  
**SINGLE ACTING HYD. PIPING (2.3m)**



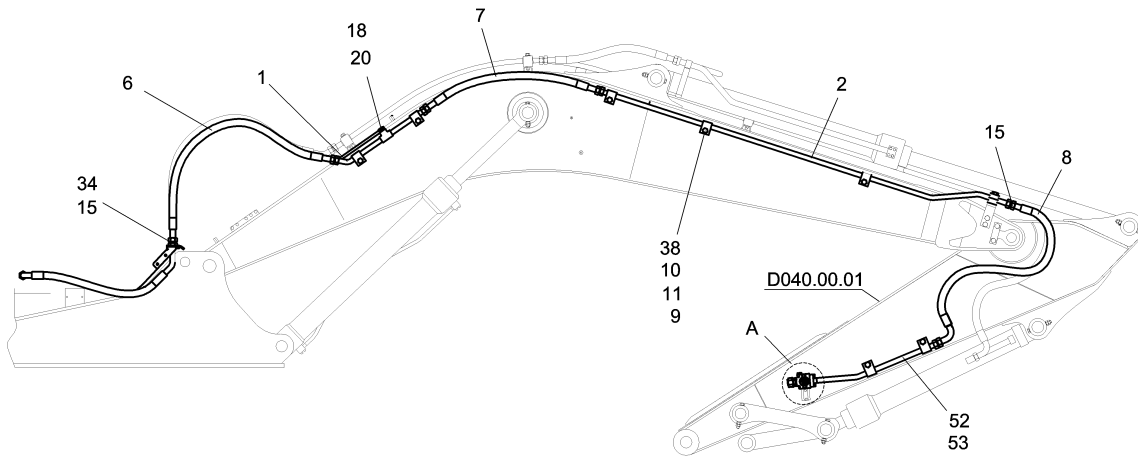
DETAY A



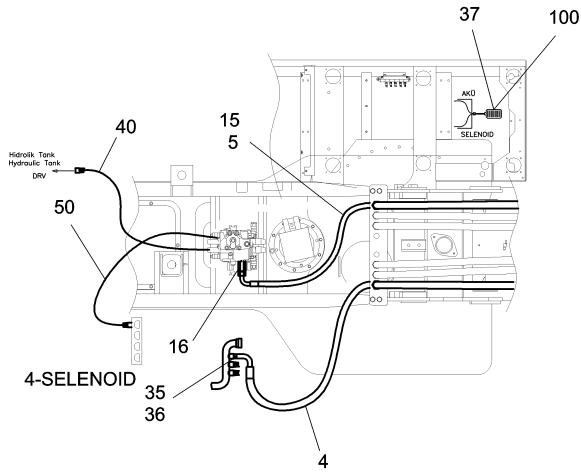
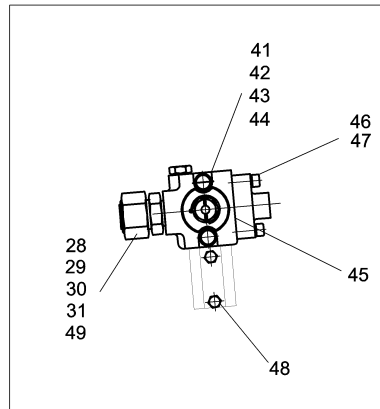
**TEK ETKİLİ HİDROLİK TESİSATI (2.3m)**  
**SINGLE ACTING HYD. PIPING (2.3m)**

No	Parça No	Parça Adı		Adet	S.K.	Bas.S.N	Bit.S.N	Y.K.	Not
No	Part no	Description		Qty	SC	S/N from	S/N to	ICA	Note
1	H200100201	TESİSAT BORUSU K.M.	PIPE W.A.	2					
2	H200100501	TESİSAT BORUSU K.M.	PIPE W.A.	2					
4	99M074722	HORTUM KOMPLESİ	HOSE ASS'Y	1					
5	99K074719	HORTUM KOMPLESİ	HOSE ASS'Y	1					
6	99N374730	HORTUM KOMPLESİ	HOSE ASS'Y	2					
7	H200101300	HORTUM KOMPLESİ	HOSE ASS'Y	2					
8	H200101200	HORTUM KOMPLESİ	HOSE ASS'Y	2					
9	H200100900	KELEPÇE	CLAMP	28					
10	H203301200	LASTİK	RUBBER	16					
11	N010380914	CIVATA	BOLT	14					M12x70
15	N102001817	O-RİNG	O-RING	18					
16	N102002336	O-RİNG	O-RING	1					
18	H200101100	NİPEL	ADAPTER	2					
20	F9970100	MANOMETRE PRİZİ	COUPLING, PRESSURE	2					
28	N16K114205	NİPEL	ADAPTER	2					
29	H340101901	YÜKSÜK	RING	2					
30	H340102001	TAPA	PLUG	2					
31	N050020051	SEGMAN	RETAINING RING	2					
34	N16K600304	NİPEL	ADAPTER	2					
35	N16K130126	NİPEL	ADAPTER	1					
36	N102001724	O-RİNG	O-RING	1					
37	H340103800	KIRICI PEDALI, ELEKTRİKLİ	BREAKER PEDAL, ELECTRICAL	1					
38	N030810001	PUL	WASHER	22					
40	97Q091236	HORTUM KOMPLESİ	HOSE ASS'Y	1					
41	H200101500	KÜRESEL VANA, SOL	BALL VALVE, LH	1					
42	H200101400	KÜRESEL VANA, SAĞ	BALL VALVE, RH	1					
43	N015891250	CIVATA	BOLT	4					
44	N031360011	YAYLI RONDELA	SPRING WASHER	4					
45	N102002435	O-RİNG	O-RING	2					
46	N015890842	CIVATA	BOLT	8					
47	N031360010	YAYLI RONDELA	SPRING WASHER	8					
48	N010222078	CIVATA	BOLT	4					
49	N102002436	O-RİNG	O-RING	6					
50	97S091238	HORTUM KOMPLESİ	HOSE ASS'Y	1					
52	H300115100	TESİSAT BORUSU K.M.	PIPE W.A.	1					
53	H300115300	TESİSAT BORUSU K.M.	PIPE W.A.	1					
100	H238016900	ELEKTRİK TESİSATI, KIRICI PEDALI	HARNESS, BREAKER PEDAL	1					

**TEK ETKİLİ HİDROLİK TESİSATI (2.6m)**  
**SINGLE ACTING HYD. PIPING (2.6m)**



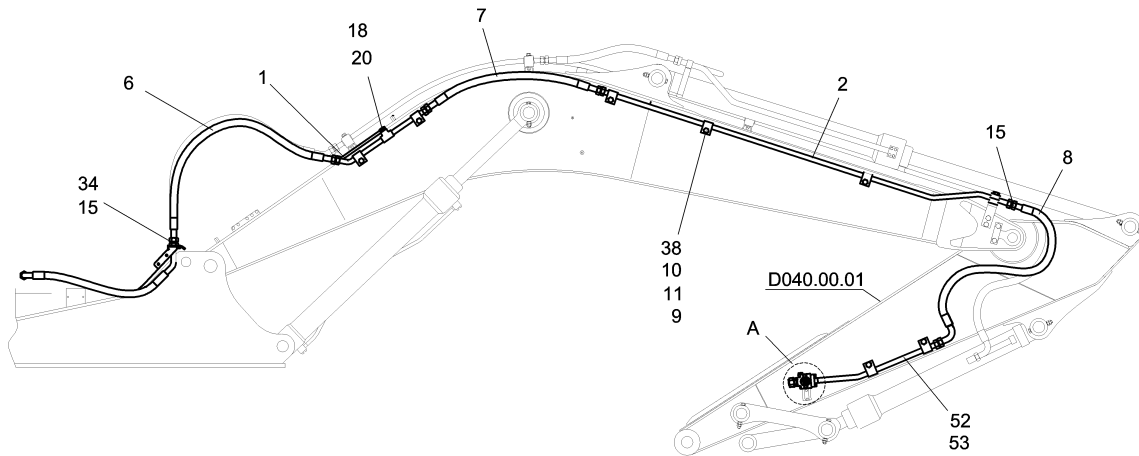
DETAY A



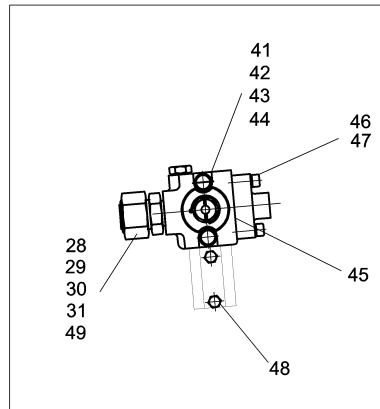
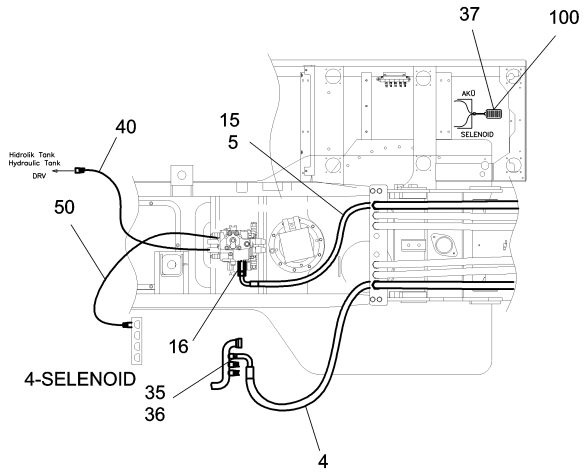
**TEK ETKİLİ HİDROLİK TESİSATI (2.6m)**  
**SINGLE ACTING HYD. PIPING (2.6m)**

No	Parça No	Parça Adı		Adet	S.K.	Bas.S.N	Bit.S.N	Y.K.	Not
No	Part no	Description		Qty	SC	S/N from	S/N to	ICA	Note
1	H200100201	TESİSAT BORUSU K.M.	PIPE W.A.	2					
2	H200100501	TESİSAT BORUSU K.M.	PIPE W.A.	2					
4	99M074722	HORTUM KOMPLESİ	HOSE ASS'Y	1					
5	99K074719	HORTUM KOMPLESİ	HOSE ASS'Y	1					
6	99N374730	HORTUM KOMPLESİ	HOSE ASS'Y	2					
7	H200101300	HORTUM KOMPLESİ	HOSE ASS'Y	2					
8	H200101200	HORTUM KOMPLESİ	HOSE ASS'Y	2					
9	H200100900	KELEPÇE	CLAMP	28					
10	H203301200	LASTİK	RUBBER	16					
11	N010380914	CIVATA	BOLT	14					M12x70
15	N102001817	O-RİNG	O-RING	18					
16	N102002336	O-RİNG	O-RING	1					
18	H200101100	NIPEL	ADAPTER	2					
20	F9970100	MANOMETRE PRİZİ	COUPLING, PRESSURE	2					
28	N16K114205	NIPEL	ADAPTER	2					
29	H340101901	YÜKSÜK	RING	2					
30	H340102001	TAPA	PLUG	2					
31	N050020051	SEGMAN	RETAINING RING	2					
34	N16K600304	NIPEL	ADAPTER	2					
35	N16K130126	NIPEL	ADAPTER	1					
36	N102001724	O-RİNG	O-RING	1					
37	H340103800	KIRICI PEDALI, ELEKTRİKLİ	BREAKER PEDAL, ELECTRICAL	1					
38	N030810001	PUL	WASHER	22					
40	97Q091236	HORTUM KOMPLESİ	HOSE ASS'Y	1					
41	H200101500	KÜRESEL VANA, SOL	BALL VALVE, LH	1					
42	H200101400	KÜRESEL VANA, SAĞ	BALL VALVE, RH	1					
43	N015891250	CIVATA	BOLT	4					
44	N031360011	YAYLI RONDELA	SPRING WASHER	4					
45	N102002435	O-RİNG	O-RING	2					
46	N015890842	CIVATA	BOLT	8					
47	N031360010	YAYLI RONDELA	SPRING WASHER	8					
48	N010222078	CIVATA	BOLT	4					
49	N102002436	O-RİNG	O-RING	6					
50	97S091238	HORTUM KOMPLESİ	HOSE ASS'Y	1					
52	H300115100	TESİSAT BORUSU K.M.	PIPE W.A.	1					
53	H300115300	TESİSAT BORUSU K.M.	PIPE W.A.	1					
100	H238016900	ELEKTRİK TESİSATI, KIRICI PEDALI	HARNESS, BREAKER PEDAL	1					

**TEK ETKİLİ HİDROLİK TESİSATI (2.9m)**  
**SINGLE ACTING HYD. PIPING (2.9m)**



DETAY A

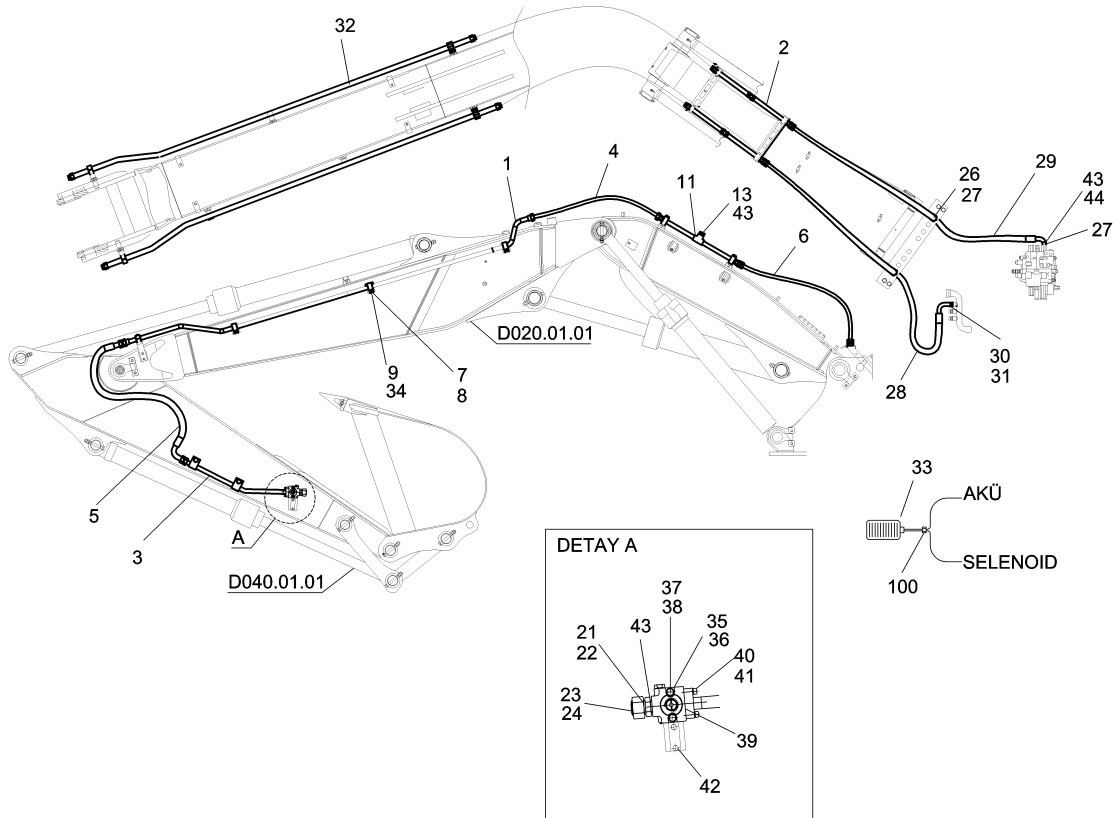




**TEK ETKİLİ HİDROLİK TESİSATI (2.9m)**  
**SINGLE ACTING HYD. PIPING (2.9m)**

No	Parça No	Parça Adı		Adet	S.K.	Bas.S.N	Bit.S.N	Y.K.	Not
No	Part no	Description		Qty	SC	S/N from	S/N to	ICA	Note
1	H200100201	TESİSAT BORUSU K.M.	PIPE W.A.	2					
2	H200100501	TESİSAT BORUSU K.M.	PIPE W.A.	2					
4	99M074722	HORTUM KOMPLESİ	HOSE ASS'Y	1					
5	99R074624	HORTUM KOMPLESİ	HOSE ASS'Y	1					
6	99N374730	HORTUM KOMPLESİ	HOSE ASS'Y	2					
7	H200101300	HORTUM KOMPLESİ	HOSE ASS'Y	2					
8	99Q174634	HORTUM KOMPLESİ	HOSE ASS'Y	2					
9	H200100900	KELEPÇE	CLAMP	28					
10	H203301200	LASTİK	RUBBER	16					
11	N010380914	CIVATA	BOLT	14					M12x70
15	N102001817	O-RİNG	O-RING	18					
16	N102002336	O-RİNG	O-RING	1					
18	H200101100	NIPEL	ADAPTER	2					
20	F9970100	MANOMETRE PRİZİ	COUPLING, PRESSURE	2					
28	N16K114205	NIPEL	ADAPTER	2					
29	H340101901	YÜKSÜK	RING	2					
30	H340102001	TAPA	PLUG	2					
31	N050020051	SEGMAN	RETAINING RING	2					
34	N16K600304	NIPEL	ADAPTER	2					
35	N16K130126	NIPEL	ADAPTER	1					
36	N102001724	O-RİNG	O-RING	1					
37	H340103800	KIRICI PEDALI, ELEKTRİKLİ	BREAKER PEDAL, ELECTRICAL	1					
38	N030810001	PUL	WASHER	22					
40	97Q091236	HORTUM KOMPLESİ	HOSE ASS'Y	1					
41	H200101500	KÜRESEL VANA, SOL	BALL VALVE, LH	1					
42	H200101400	KÜRESEL VANA, SAĞ	BALL VALVE, RH	1					
43	N015891250	CIVATA	BOLT	4					
44	N031360011	YAYLI RONDELA	SPRING WASHER	4					
45	N102002435	O-RİNG	O-RING	2					
46	N015890842	CIVATA	BOLT	8					
47	N031360010	YAYLI RONDELA	SPRING WASHER	8					
48	N010222078	CIVATA	BOLT	4					
49	N102002436	O-RİNG	O-RING	6					
50	97S091238	HORTUM KOMPLESİ	HOSE ASS'Y	1					
52	H300115100	TESİSAT BORUSU K.M.	PIPE W.A.	1					
53	H300115300	TESİSAT BORUSU K.M.	PIPE W.A.	1					
100	H238016900	ELEKTRİK TESİSATI, KIRICI PEDALI	HARNESS, BREAKER PEDAL	1					

**TEK ETKİLİ HİDROLİK TESİSATI (2 PARÇALI BOM, 2.3m)**  
**SINGLE ACTING HYD. PIPING (TWO PIECES BOOM, 2.3m)**



**TEK ETKİLİ HİDROLİK TESİSATI (2 PARÇALI BOM, 2.3m)**  
**SINGLE ACTING HYD. PIPING (TWO PIECES BOOM, 2.3m)**

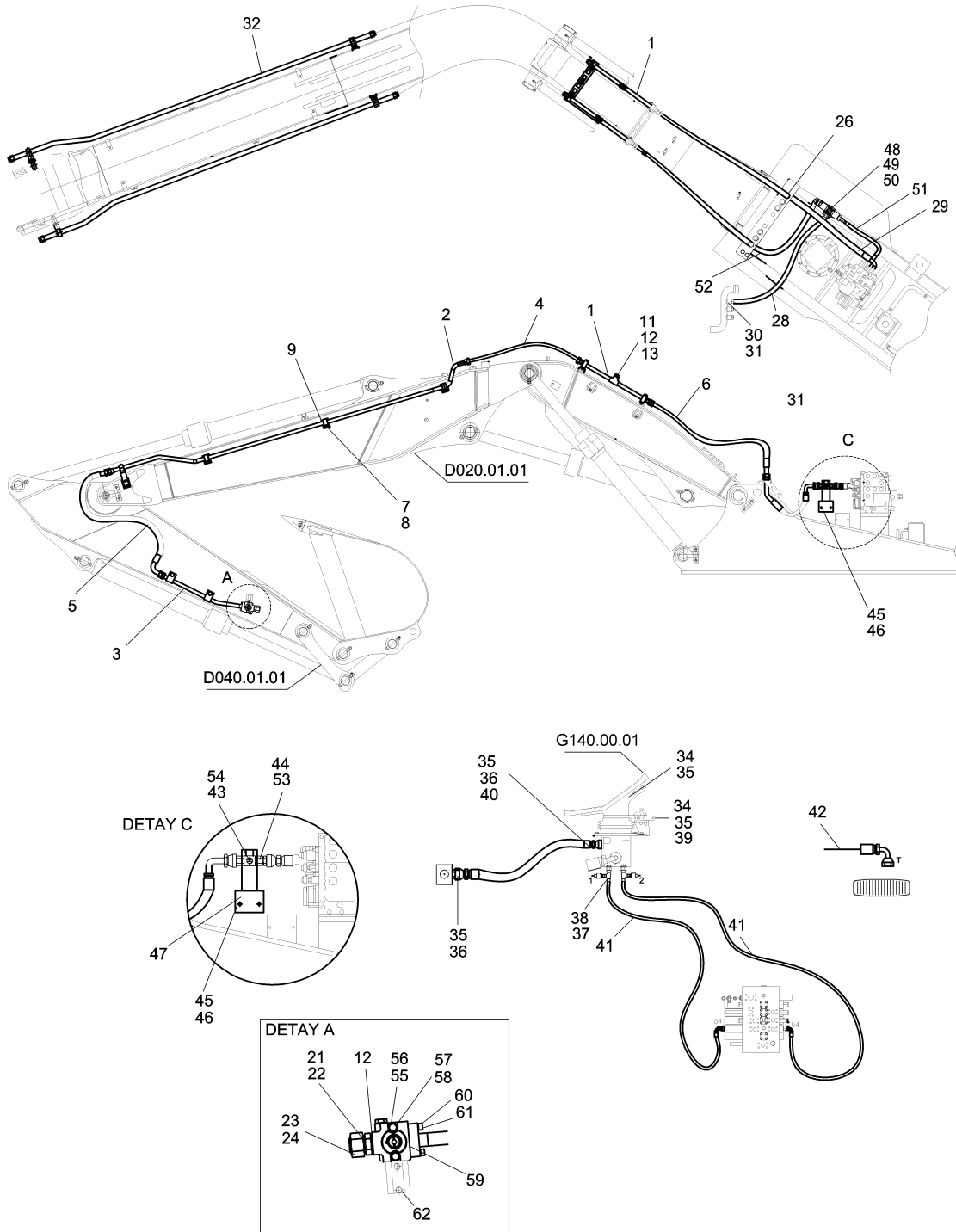
No	Parça No	Parça Adı		Adet	S.K.	Bas.S.N	Bit.S.N	Y.K.	Not
No	Part no	Description		Qty	SC	S/N from	S/N to	ICA	Note
1	H200105200	TESİSAT BORUSU K.M.	PIPE W.A.	1					
2	H200105400	TESİSAT BORUSU K.M.	PIPE W.A.	2					
3	H200100702	TESİSAT BORUSU K.M.	PIPE W.A.	2					
4	H200105100	HORTUM KOMPLESİ	HOSE ASS'Y	2					
5	H200101200	HORTUM KOMPLESİ	HOSE ASS'Y	2					
6	99P374732	HORTUM KOMPLESİ	HOSE ASS'Y	2					
7	H200100900	KELEPÇE	CLAMP	20					
8	H203301200	LASTİK	RUBBER	10					
9	N010380914	CIVATA	BOLT	14					M12x70
11	H200101100	NİPEL	ADAPTER	2					
13	F9970100	MANOMETRE PRİZİ	COUPLING, PRESSURE	2					
21	N16K114205	NİPEL	ADAPTER	2					
22	H340101901	YÜKSÜK	RING	2					
23	H340102001	TAPA	PLUG	2					
24	N050020051	SEGMAN	RETAINING RING	2					
26	N16K600304	NİPEL	ADAPTER	2					
27	N102001817	O-RİNG	O-RING	16					
28	99M074722	HORTUM KOMPLESİ	HOSE ASS'Y	1					
29	99K074719	HORTUM KOMPLESİ	HOSE ASS'Y	1					
30	N16K130126	NİPEL	ADAPTER	1					
31	N102001724	O-RİNG	O-RING	1					
32	H200105600	TESİSAT BORUSU K.M.	PIPE W.A.	1					
33	H340103800	KIRICI PEDALI, ELEKTRİKLİ	BREAKER PEDAL, ELECTRICAL	1					
34	N030810001	PUL	WASHER	10					M12
35	H200101500	KÜRESEL VANA, SOL	BALL VALVE, LH	1					
36	H200101400	KÜRESEL VANA, SAĞ	BALL VALVE, RH	1					
37	N015891250	CIVATA	BOLT	4					M12x65
38	N031360011	YAYLI RONDELA	SPRING WASHER	4					M12
39	N102002435	O-RİNG	O-RING	2					
40	N015890842	CIVATA	BOLT	8					M10x40
41	N031360010	YAYLI RONDELA	SPRING WASHER	8					M10
42	N010222078	CIVATA	BOLT	4					M8x16
43	N102002436	O-RİNG	O-RING	6					
44	N16K130136	NİPEL	ADAPTER	1					
100	H238016900	ELEKTRİK TESİSATI, KIRICI PEDALI	HARNESS, BREAKER PEDAL	1					



**ÇİFT ETKİLİ HİDROLİK TESİSATI (2.3m)**  
**DOUBLE ACTING HYD. PIPING (2.3m)**

No	Parça No	Parça Adı		Adet	S.K.	Bas.S.N	Bit.S.N	Y.K.	Not
No	Part no	Description		Qty	SC	S/N from	S/N to	ICA	Note
1	H200100201	TESİSAT BORUSU K.M.	PIPE W.A.	2					
2	H200100501	TESİSAT BORUSU K.M.	PIPE W.A.	2					
4	99Q074709	HORTUM KOMPLESİ	HOSE ASS'Y	1					
5	99K074714	HORTUM KOMPLESİ	HOSE ASS'Y	1					
6	99N374730	HORTUM KOMPLESİ	HOSE ASS'Y	2					
7	H200101300	HORTUM KOMPLESİ	HOSE ASS'Y	2					
8	H200101200	HORTUM KOMPLESİ	HOSE ASS'Y	2					
9	H200100900	KELEPÇE	CLAMP	28					
10	H203301200	LASTİK	RUBBER	16					M12x70
11	N010380914	CIVATA	BOLT	14					
13	N16K130136	NIPEL	ADAPTER	2					
14	N16K130134	NIPEL	ADAPTER	2					
17	N102002835	O-RİNG	O-RING	10					
18	F9970100	MANOMETRE PRİZİ	COUPLING, PRESSURE	2					
26	N16K114205	NIPEL	ADAPTER	2					
27	H340101901	YÜKSÜK	RING	2					
28	H340102001	TAPA	PLUG	2					
29	N050020051	SEGMAN	RETAINING RING	2					
31	N16K600304	NIPEL	ADAPTER	2					
32	H200180100	KÜRESEL VANA, 3 YOLLU	BALL VALVE, 3 WAY	1					
33	N010232140	CIVATA	BOLT	4					
34	N030810014	PUL	WASHER	4					
35	N010232114	CIVATA	BOLT	4					
36	N030810015	PUL	WASHER	8					
37	H200180201	BRAKET	BRACKET	1					
39	N010232486	CIVATA	BOLT	4					
40	N16K114341	NIPEL	ADAPTER	4					
41	N102001024	O-RİNG	O-RING	4					
42	H343201702	T ADAPTÖR	TEE	2					
43	H233511001	MÜŞİR, BASINÇ	SWITCH, PRESSURE	2					
45	H250186000	KİLİT KOMPLESİ	LOCK ASS'Y, PEDAL	1					
46	97Q091274	HORTUM KOMPLESİ	HOSE ASS'Y	1					
47	97S091260	HORTUM KOMPLESİ	HOSE ASS'Y	2					
48	97Q091224	HORTUM KOMPLESİ	HOSE ASS'Y	1					
49	99P074710	HORTUM KOMPLESİ	HOSE ASS'Y	1					
50	99K074717	HORTUM KOMPLESİ	HOSE ASS'Y	1					
52	N16K130126	NIPEL	ADAPTER	1					
53	N102001724	O-RİNG	O-RING	1					
54	H200101500	KÜRESEL VANA, SOL	BALL VALVE, LH	1					
55	H200101400	KÜRESEL VANA, SAĞ	BALL VALVE, RH	1					
56	N015891250	CIVATA	BOLT	4					
57	N031360011	YAYLI RONDELA	SPRING WASHER	4					
58	N102002435	O-RİNG	O-RING	2					
59	N015890842	CIVATA	BOLT	8					
60	N031360010	YAYLI RONDELA	SPRING WASHER	8					
61	N010222078	CIVATA	BOLT	4					

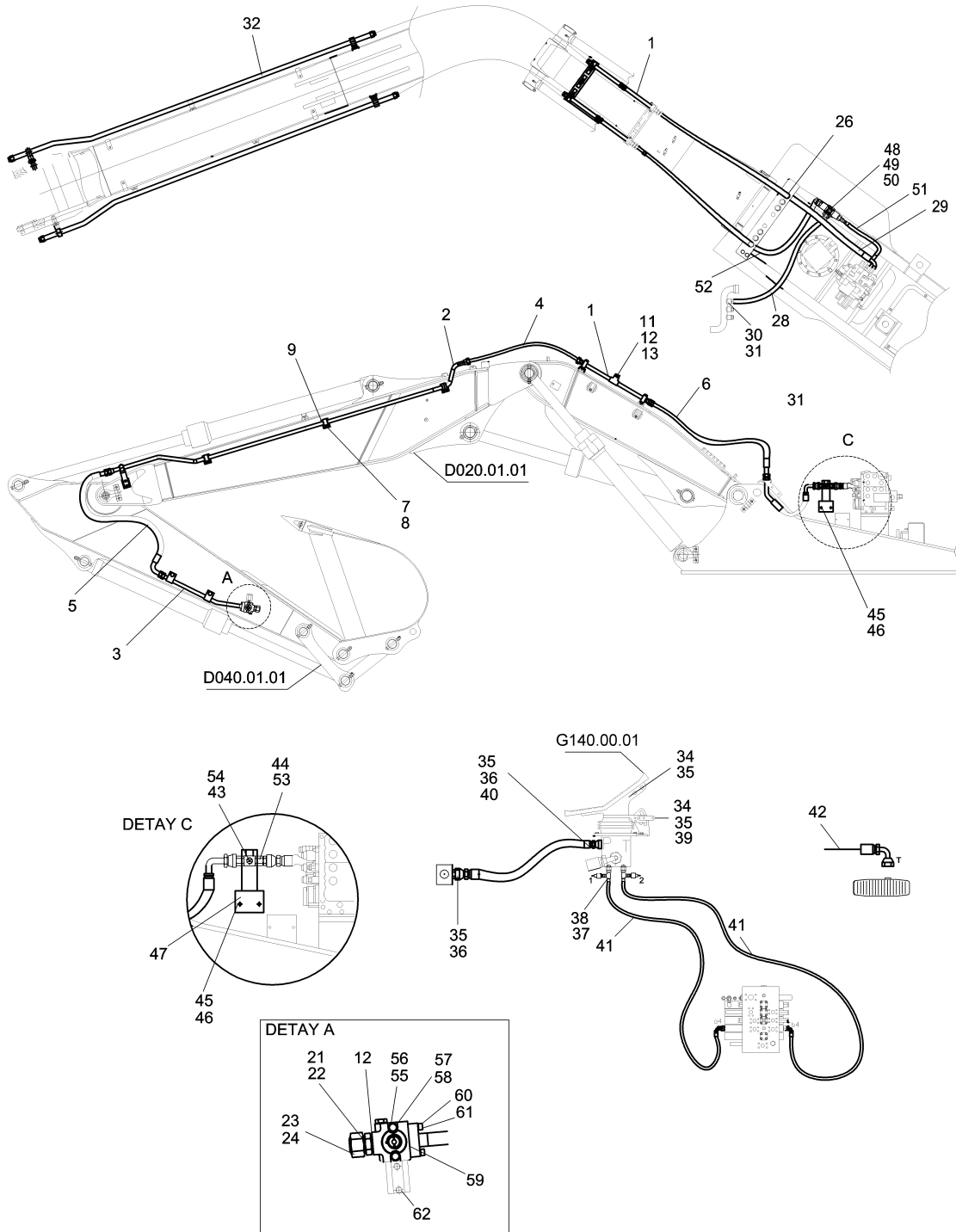
**ÇİFT ETKİLİ HİDROLİK TESİSATI (2 PARÇALI BOM, 2.3m)**  
**DOUBLE ACTING HYD. PIPING (TWO PIECES BOOM, 2.3m)**



**ÇİFT ETKİLİ HİDROLİK TESİSATI (2 PARÇALI BOM, 2.3m)**  
**DOUBLE ACTING HYD. PIPING (TWO PIECES BOOM, 2.3m)**

No	Parça No	Parça Adı	Adet	S.K.	Bas.S.N	Bit.S.N	Y.K.	Not
No	Part no	Description	Qty	SC	S/N from	S/N to	ICA	Note
1	H200105200	TESİSAT BORUSU K.M.	2					
2	H200105400	TESİSAT BORUSU K.M.	1					
3	H200100701	TESİSAT BORUSU K.M.	2					
4	H200105100	HORTUM KOMPLESİ	2					
5	H200101200	HORTUM KOMPLESİ	2					
6	99P374732	HORTUM KOMPLESİ	2					
7	H200100900	KELEPÇE	20					
8	H203301200	LASTİK	10					
9	N010380914	CIVATA	14					
11	H200101100	NIPEL	2					M12x70
12	N102002835	O-RİNG	12					
13	F9970100	MANOMETRE PRİZİ	2					
21	N16K114205	NIPEL	2					
22	H340101901	YÜKSÜK	2					
23	H340102001	TAPA	2					
24	N050020051	SEGMAN	2					
26	N16K600304	NIPEL	2					
28	99Q074720	HORTUM KOMPLESİ	1					
29	99K074719	HORTUM KOMPLESİ	1					
30	N16K130126	NIPEL	1					
31	N102001724	O-RİNG	1					
32	H200105600	TESİSAT BORUSU K.M.	1					
34	N010232486	CIVATA	2					M10x30
35	N16K114341	NIPEL	3					
36	N102001024	O-RİNG	3					
37	H343201702	T ADAPTÖR	2					
38	H233511001	MÜŞİR, BASINÇ	2					
39	H250186000	KİLİT KOMPLESİ	1					
40	97Q091274	HORTUM KOMPLESİ	1					
41	97S091260	HORTUM KOMPLESİ	2					
42	97Q091224	HORTUM KOMPLESİ	1					
43	N16K130136	NIPEL	5					
44	N16K130134	NIPEL	5					
45	N010232114	CIVATA	4					M10x20
46	N030810015	PUL	6					M10
47	H200180201	BRAKET	1					
48	H200180100	KÜRESEL VANA, 3 YOLLU	1					
49	N010232140	CIVATA	4					M8x20
50	N038010014	YAYLI RONDELA	4					M8
51	99P074710	HORTUM KOMPLESİ	1					
52	99K074717	HORTUM KOMPLESİ	1					
53	N102002835	O-RİNG	2					
54	N102002836	O-RİNG	1					
55	H200101500	KÜRESEL VANA, SOL	1					
56	H200101400	KÜRESEL VANA, SAĞ	1					
57	N015891250	CIVATA	4					M12x65
58	N031360011	YAYLI RONDELA	4					M12
59	N102002435	O-RİNG	2					
60	N015890842	CIVATA	8					M10x40

**ÇİFT ETKİLİ HİDROLİK TESİSATI (2 PARÇALI BOM, 2.3m)**  
**DOUBLE ACTING HYD. PIPING (TWO PIECES BOOM, 2.3m)**

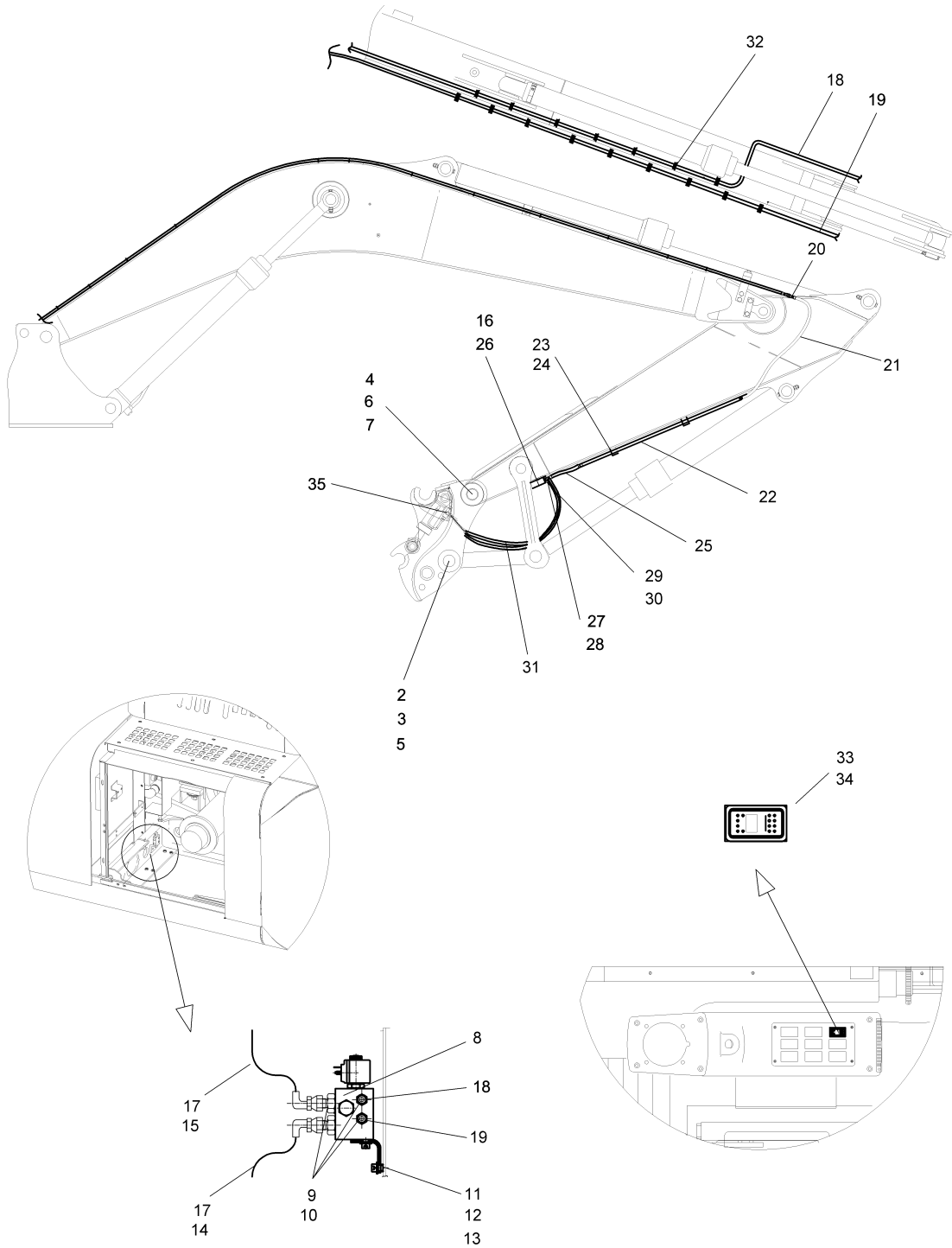




**ÇİFT ETKİLİ HİDROLİK TESİSATI (2 PARÇALI BOM, 2.3m)**  
**DOUBLE ACTING HYD. PIPING (TWO PIECES BOOM, 2.3m)**

No	Parça No	Parça Adı		Adet	S.K.	Bas.S.N	Bit.S.N	Y.K.	Not
No	Part no		Description	Qty	SC	S/N from	S/N to	ICA	Note
61	N031360010	YAYLI RONDELA	SPRING WASHER	8					M10
62	N010222078	CIVATA	BOLT	4					M8x16

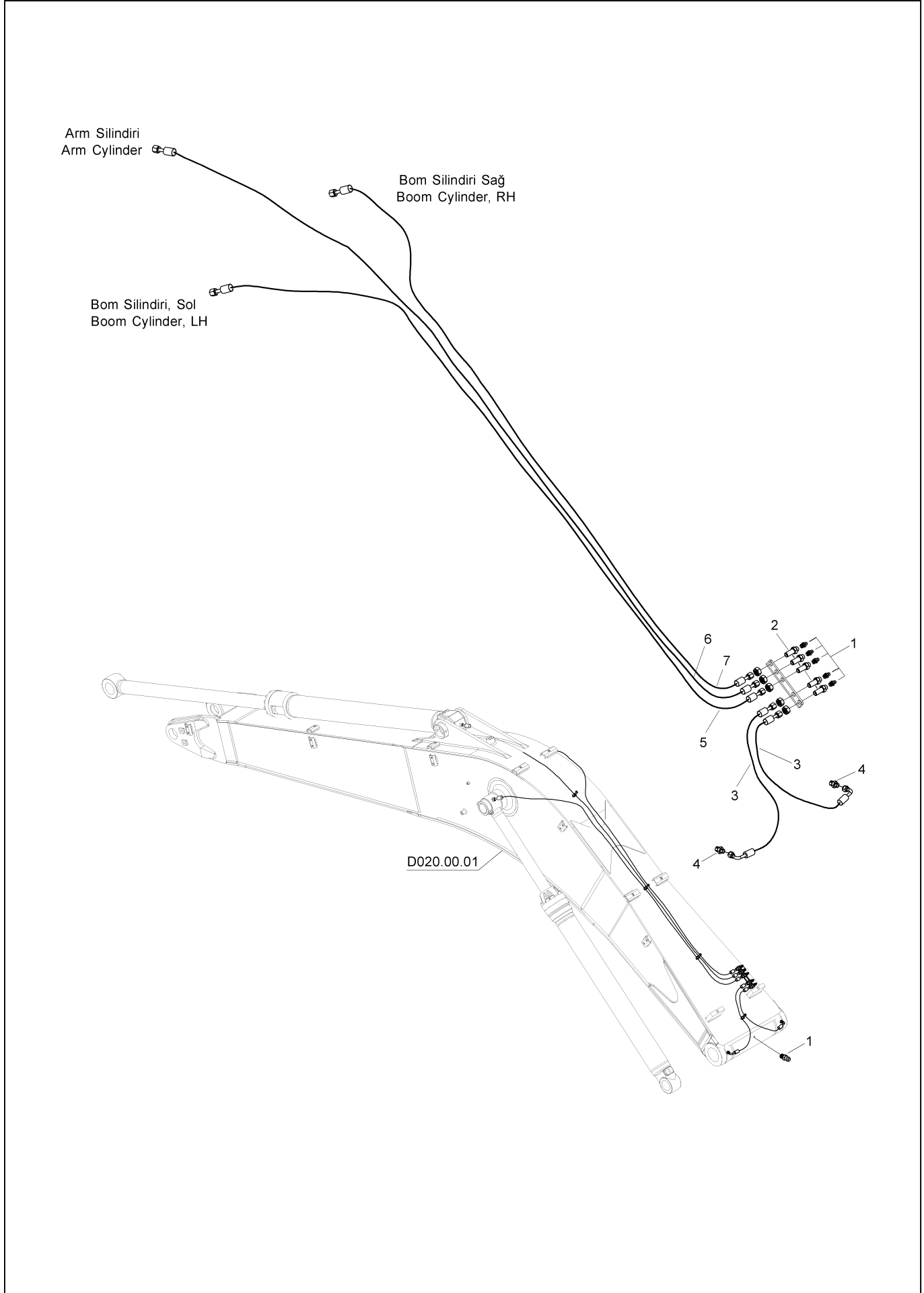
**ÇABUK SÖK-TAK HİDROLİK TESİSATI, 40 BAR (OP)**  
**QUICK COUPLER HYD. PIPING, 40 BAR (OP)**



**ÇABUK SÖK-TAK HİDROLİK TESİSATI, 40 BAR (OP)**  
**QUICK COUPLER HYD. PIPING, 40 BAR (OP)**

No	Parça No	Parça Adı		Adet	S.K.	Bas.S.N	Bit.S.N	Y.K.	Not
No	Part no	Description		Qty	SC	S/N from	S/N to	ICA	Note
2	H205001500	PİM	PIN	1					
3	H205002500	ŞİM	SHIM	2					
4	H345002100	O-RİNG	O-RING	2					
5	H205003400	O-RİNG	O-RING	2					
6	N010381406	CIVATA	BOLT	2					M16x140
7	N023570314	SOMUN	NUT	4					M16
8	H340112400	VALF, ÇABUK SÖK-TAK	VALVE, QUICK COUPLER	1					
9	N16K114348	NIPEL	ADAPTER	4					
10	N102001322	O-RİNG	O-RING	4					
11	H200111100	BRAKET, ÇABUK SÖK-TAK VALF	BRACKET, QUICK COUPLER VALVE	1					
12	N015870458	CIVATA	BOLT	2					
13	N031310010	YAYLI RONDELA	SPRING WASHER	2					
14	97Q091241	HORTUM KOMPLESİ	HOSE ASS'Y	1					
15	97U091231	HORTUM KOMPLESİ	HOSE ASS'Y	1					
16	N16K114341	NIPEL	ADAPTER	6					
17	N102001024	O-RİNG	O-RING	2					
18	99Q0982176	HORTUM KOMPLESİ	HOSE ASS'Y	1					
19	99Q0982171	HORTUM KOMPLESİ	HOSE ASS'Y	1					
20	N16K200321	NIPEL	ADAPTER	2					
21	99Q198224	HORTUM KOMPLESİ	HOSE ASS'Y	2					
22	H200114800	TESİSAT BORUSU K.M.	PIPE W.A.	2					
23	N072016003	KELEPÇE	CLAMP	4					
24	N015870326	CIVATA	BOLT	4					
25	99N098209	HORTUM KOMPLESİ	HOSE ASS'Y	2					
26	H340114700	BLOK, ÇABUK SÖK-TAK	BLOCK, QUICK COUPLER	1					
27	N102001024	O-RİNG	O-RING	6					
28	N16X120004	TAPA	PLUG	2					
29	N010222486	CIVATA	BOLT	2					
30	N030100021	PUL	WASHER	2					
31	99Q398220	HORTUM KOMPLESİ	HOSE ASS'Y	2					
32	51012200	KABLO BAĞI	TIE, CABLE	30					
33	52021030	ANAHTAR	SWITCH	1					
34	52031180	DÜĞME, ÇABUK SÖK-TAK	BUTTON, QUICK COUPLER	1					
35	N16N910001	DİRSEK	ELBOW	2					

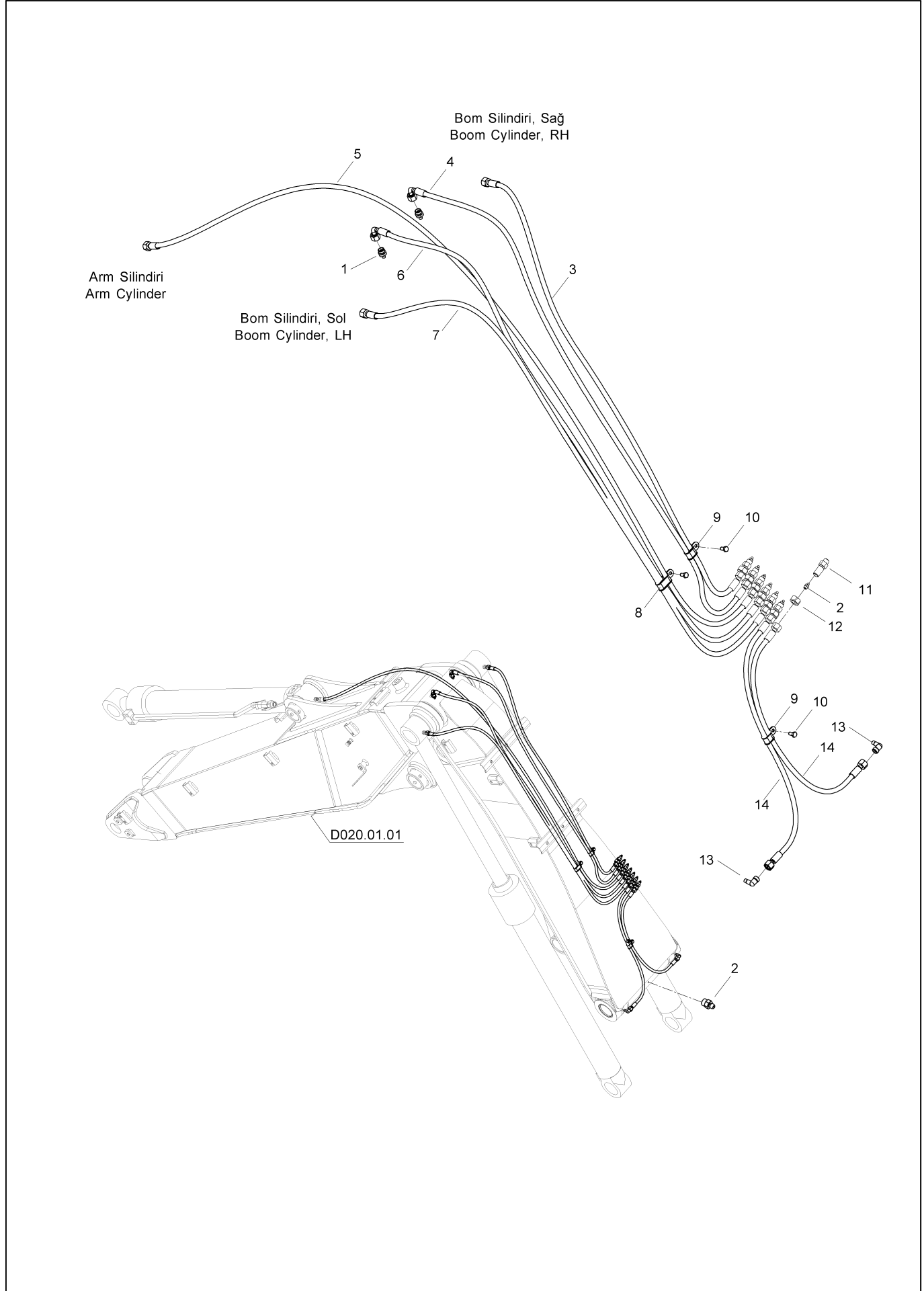
## ATAÇMAN GRESLEME SİSTEMİ ATTACHMENT GREASE LUB SYSTEM



**ATAÇMAN GRESLEME SİSTEMİ**  
**ATTACHMENT GREASE LUB SYSTEM**

No	Parça No	Parça Adı		Adet	S.K.	Bas.S.N	Bit.S.N	Y.K.	Not
No	Part no		Description	Qty	SC	S/N from	S/N to	ICA	Note
1	N081110000	GRESÖRLÜK	GREASE NIPPLE	6					
2	H343011300	NIPEL	ADAPTER	5					
3	97N091211	HORTUM KOMPLESİ	HOSE ASS'Y	2					
4	N164500001	DİRSEK	ELBOW	2					
5	97N091247	HORTUM KOMPLESİ	HOSE ASS'Y	1					
6	97N091254	HORTUM KOMPLESİ	HOSE ASS'Y	1					
7	97N091245	HORTUM KOMPLESİ	HOSE ASS'Y	1					

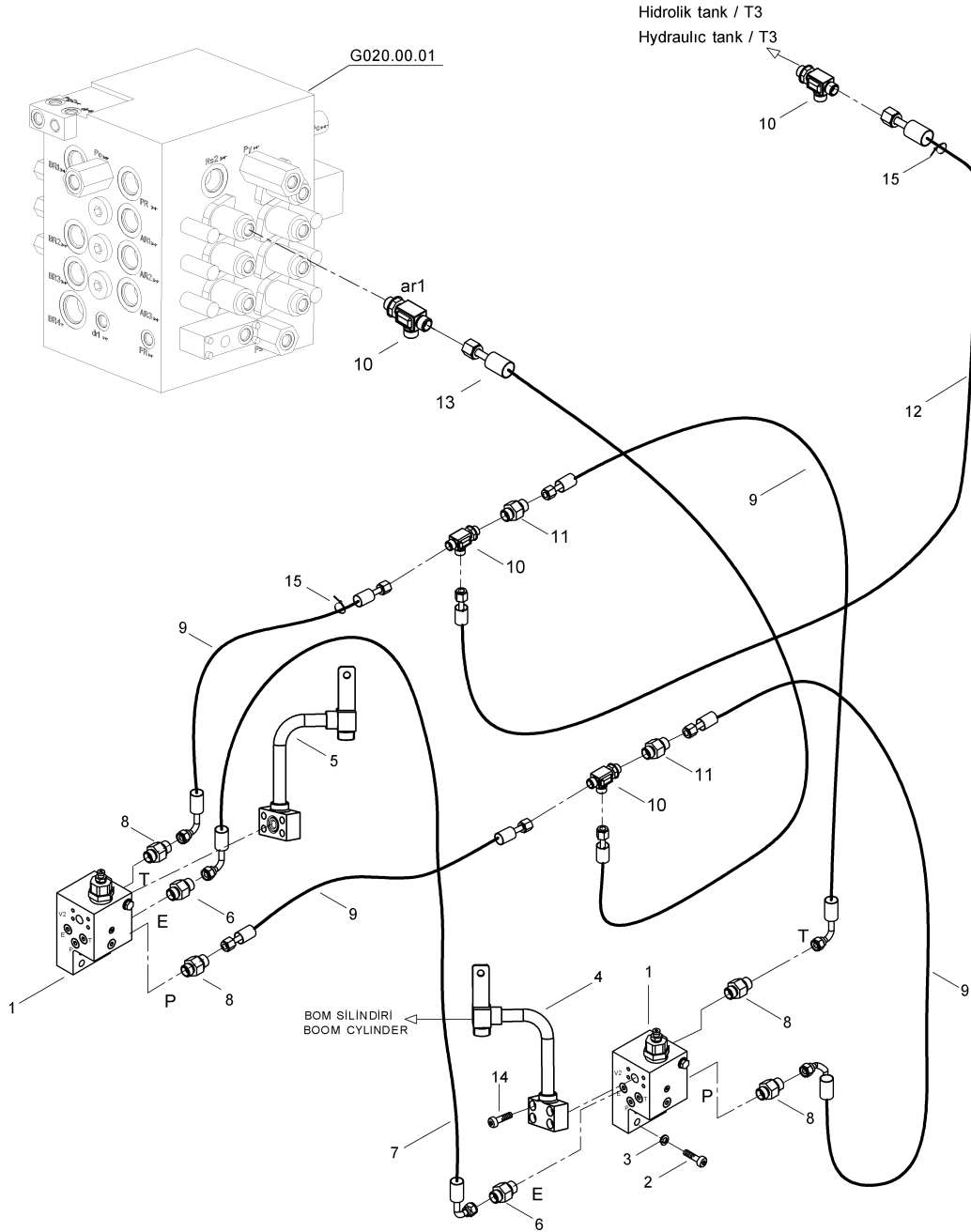
## ATAÇMAN GRESLEME SİSTEMİ (2 PARÇALI BOM) ATTACHMENT GREASE LUB SYSTEM (TWO PIECES BOOM)



**ATAÇMAN GRESLEME SİSTEMİ (2 PARÇALI BOM)**  
**ATTACHMENT GREASE LUB SYSTEM (TWO PIECES BOOM)**

No	Parça No	Parça Adı		Adet	S.K.	Bas.S.N	Bit.S.N	Y.K.	Not
No	Part no		Description	Qty	SC	S/N from	S/N to	ICA	Note
1	N16K440301	NIPEL	ADAPTER	2					
2	N081110000	GRESÖRLÜK	GREASE NIPPLE	8					
3	97N091234	HORTUM KOMPLESİ	HOSE ASS'Y	1					
4	97Q091235	HORTUM KOMPLESİ	HOSE ASS'Y	1					
5	97N091261	HORTUM KOMPLESİ	HOSE ASS'Y	1					
6	97Q091237	HORTUM KOMPLESİ	HOSE ASS'Y	1					
7	97N091235	HORTUM KOMPLESİ	HOSE ASS'Y	1					
8	N077221208	KELEPÇE	CLAMP	1					
9	N077121208	KELEPÇE	CLAMP	2					
10	N010222078	CIVATA	BOLT	3					M8x16
11	H343011300	NIPEL	ADAPTER	7					
12	N023560326	SOMUN	NUT	7					
13	N164500001	DİRSEK	ELBOW	2					
14	97N091216	HORTUM KOMPLESİ	HOSE ASS'Y	2					

## BOM EMNİYET VALFİ SİSTEMİ (OP) BOOM SAFETY LOCK SYSTEM (OP)

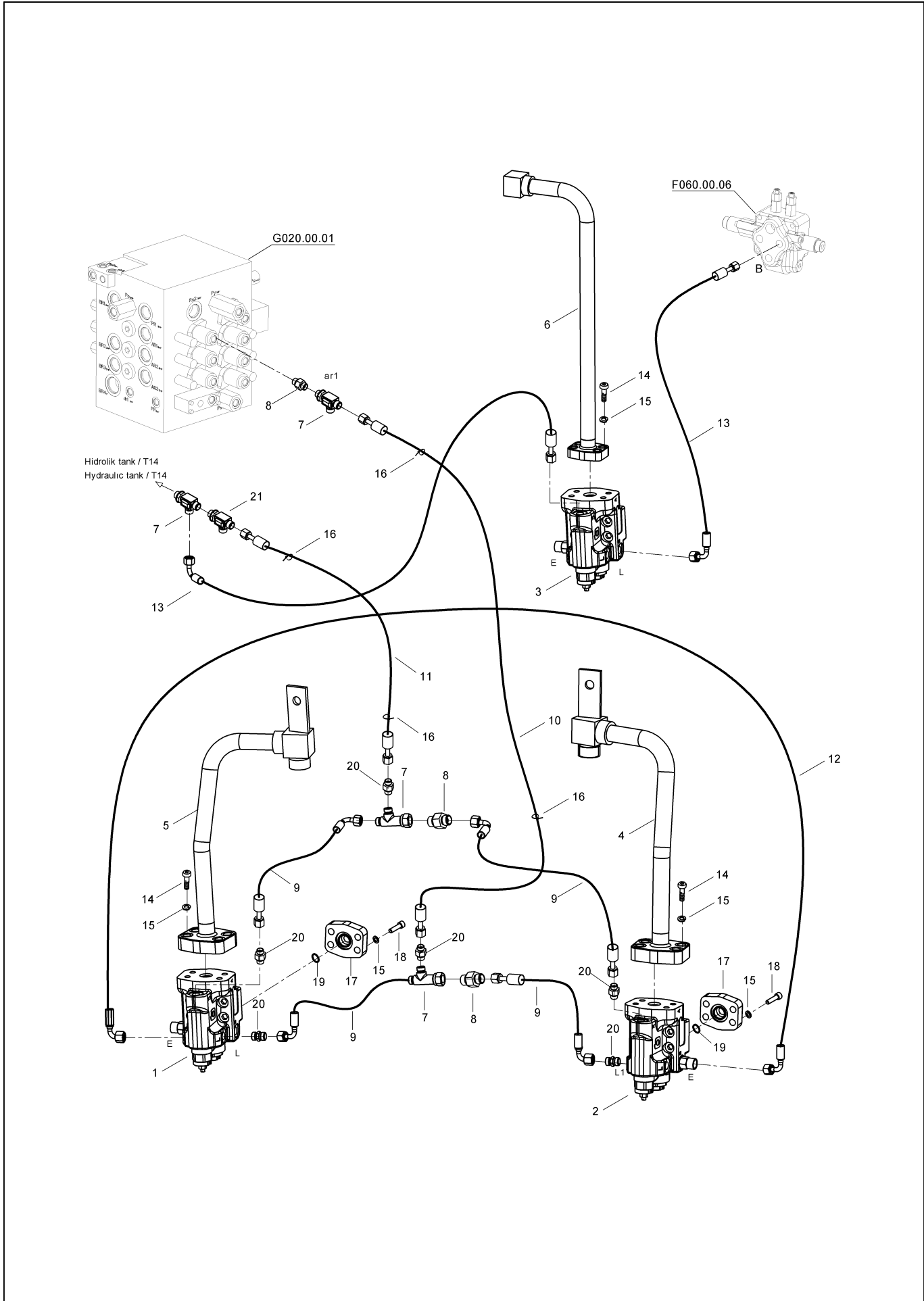




**BOM EMNİYET VALFİ SİSTEMİ (OP)**  
**BOOM SAFETY LOCK SYSTEM (OP)**

No	Parça No	Parça Adı		Adet	S.K.	Bas.S.N	Bit.S.N	Y.K.	Not
No	Part no	Description		Qty	SC	S/N from	S/N to	ICA	Note
1	H200190400	EMNİYET KİLİT VALFİ, BOM	SAFETY LOCK VALVE, BOOM	2					
2	N015890878	CIVATA	BOLT	8					M10x55
3	N031360010	YAYLI RONDELA	SPRING WASHER	8					M10
4	H200190300	TESİSAT BORUSU K.M., SAĞ	PIPE W.A., RH	1					
5	H200190500	TESİSAT BORUSU K.M., SOL	PIPE W.A., LH	1					
6	N16K550312	NIPEL	ADAPTER	2					
7	99S092721	HORTUM KOMPLESİ	HOSE ASS'Y	1					
8	N16K550310	NIPEL	ADAPTER	6					
9	97Q091230	HORTUM KOMPLESİ	HOSE ASS'Y	4					
10	H343202801	T ADAPTÖR	TEE	4					
11	N16K200321	NIPEL	ADAPTER	2					
12	97Q091231	HORTUM KOMPLESİ	HOSE ASS'Y	1					
13	97Q091223	HORTUM KOMPLESİ	HOSE ASS'Y	1					
14	N015890854	CIVATA	BOLT	8					M10x45
15	51012200	KABLO BAĞI	TIE, CABLE	30					

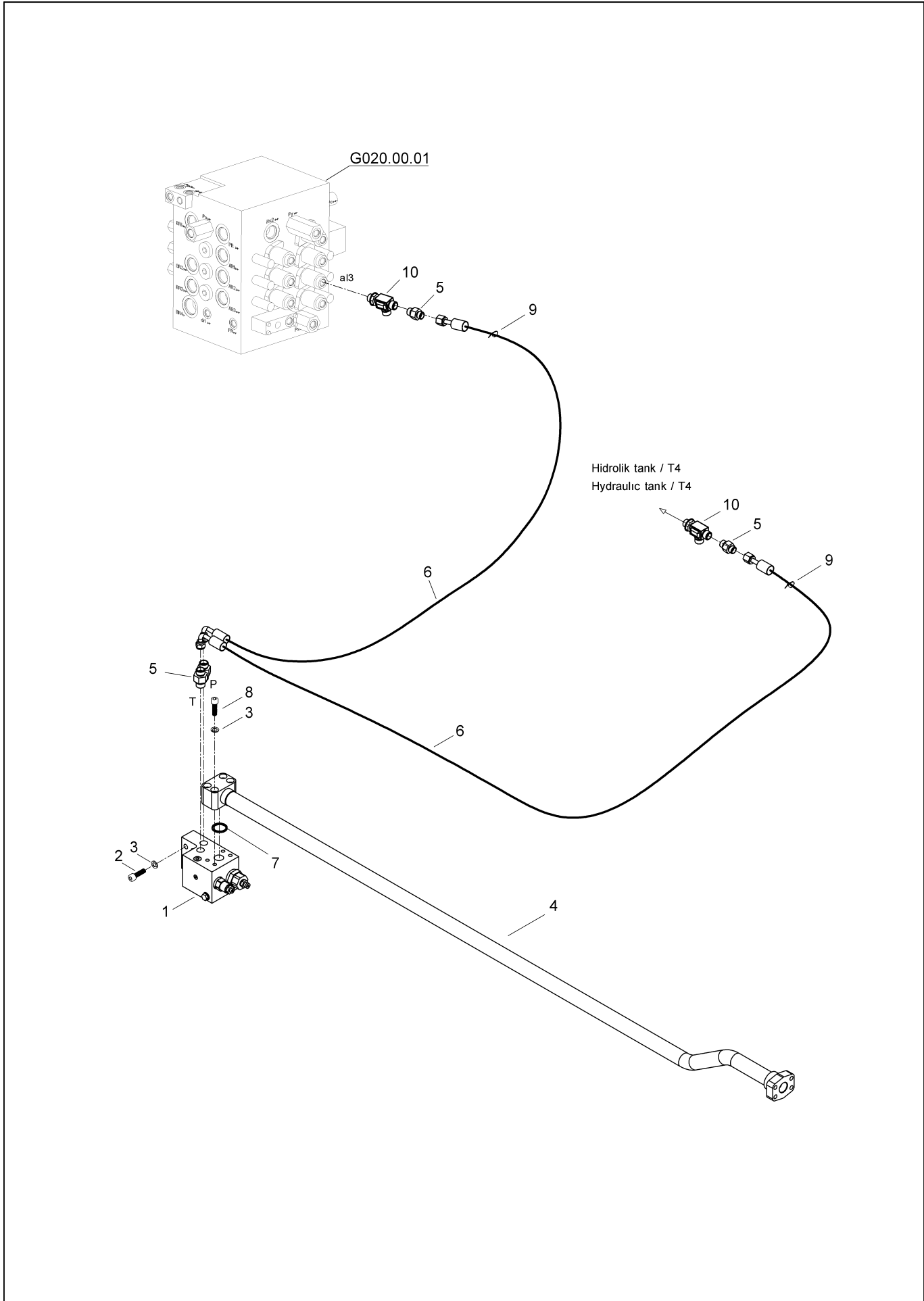
**BOM EMNİYET VALFİ SİSTEMİ (2 PARÇALI BOM, OP)**  
**BOOM SAFETY LOCK SYSTEM (TWO PIECES BOOM, OP)**



**BOM EMNİYET VALFİ SİSTEMİ (2 PARÇALI BOM, OP)**  
**BOOM SAFETY LOCK SYSTEM (TWO PIECES BOOM, OP)**

No	Parça No	Parça Adı		Adet	S.K.	Bas.S.N	Bit.S.N	Y.K.	Not
No	Part no	Description		Qty	SC	S/N from	S/N to	ICA	Note
1	H200190700	EMNİYET KİLİT VALFİ, BOM, SAĞ	SAFETY LOCK VALVE, BOOM, RH	1					
2	H200190800	EMNİYET KİLİT VALFİ, BOM, SOL	SAFETY LOCK VALVE, BOOM, LH	1					
3	H200192000	EMNİYET KİLİT VALFİ, BOM	SAFETY LOCK VALVE, BOOM	1					
4	H200190301	TESİSAT BORUSU K.M., SAĞ	PIPE W.A., RH	1					
5	H200190501	TESİSAT BORUSU K.M., SOL	PIPE W.A., LH	1					
6	H200191401	TESİSAT BORUSU K.M.	PIPE W.A.	1					
7	H343202801	T ADAPTÖR	TEE	4					
8	N16K200321	NİPEL	ADAPTER	4					
9	97Q091230	HORTUM KOMPLESİ	HOSE ASS'Y	4					
10	97Q091223	HORTUM KOMPLESİ	HOSE ASS'Y	1					
11	97Q091231	HORTUM KOMPLESİ	HOSE ASS'Y	1					
12	99S091726	HORTUM KOMPLESİ	HOSE ASS'Y	1					
13	97Q0912108	HORTUM KOMPLESİ	HOSE ASS'Y	2					
14	N015890830	CIVATA	BOLT	12					M10x35
15	N031360010	YAYLI RONDELA	SPRING WASHER	24					M10
16	51012200	KABLO BAĞI	TIE, CABLE	30					
17	H200191800	FLANŞ	FLANGE	2					
18	N015890890	CIVATA	BOLT	8					
19	N102002435	O-RİNG	O-RING	2					
20	N16K550310	NİPEL	ADAPTER	6					
21	N16T020202	T ADAPTÖR	TEE	2					

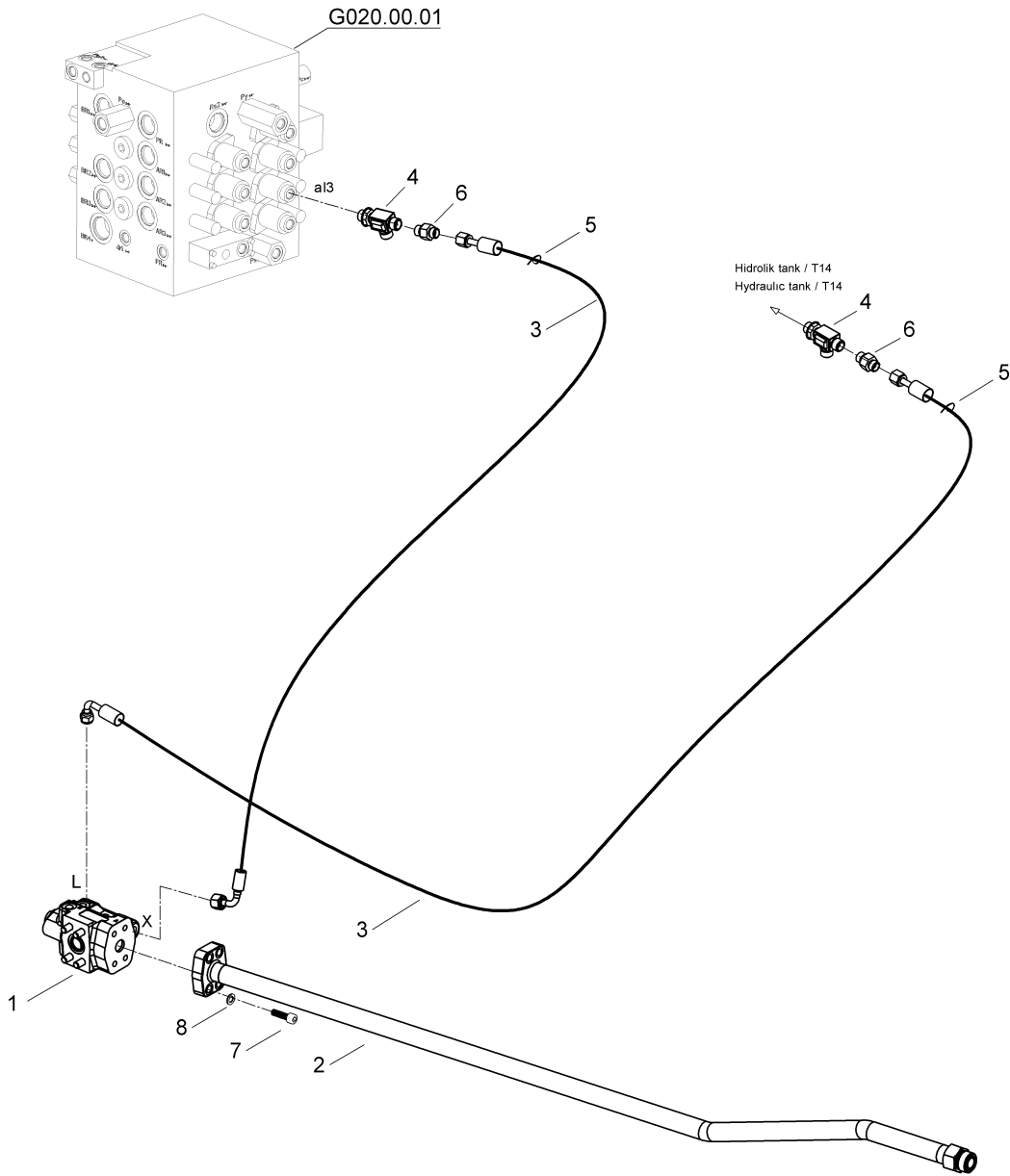
**BOM EMNİYET VALFİ SİSTEMİ (OP)**  
**BOOM SAFETY LOCK SYSTEM (OP)**



**BOM EMNİYET VALFİ SİSTEMİ (OP)**  
**BOOM SAFETY LOCK SYSTEM (OP)**

No	Parça No	Parça Adı		Adet	S.K.	Bas.S.N	Bit.S.N	Y.K.	Not
No	Part no		Description	Qty	SC	S/N from	S/N to	ICA	Note
1	H340190401	EMNİYET KİLİT VALFİ	SAFETY LOCK VALVE	1					
2	N015890878	CIVATA	BOLT	4					
3	N031360010	YAYLI RONDELA	SPRING WASHER	8					
4	H200195300	TESİSAT BORUSU K.M.	PIPE W.A.	1					
5	N16K550310	NİPEL	ADAPTER	4					
6	97Q0912134	HORTUM KOMPLESİ	HOSE ASS'Y	2					
7	N102002435	O-RİNG	O-RING	1					
8	N015890830	CIVATA	BOLT	4					
9	51012200	KABLO BAĞI	TIE, CABLE	60					
10	H343202801	T ADAPTÖR	TEE	2					

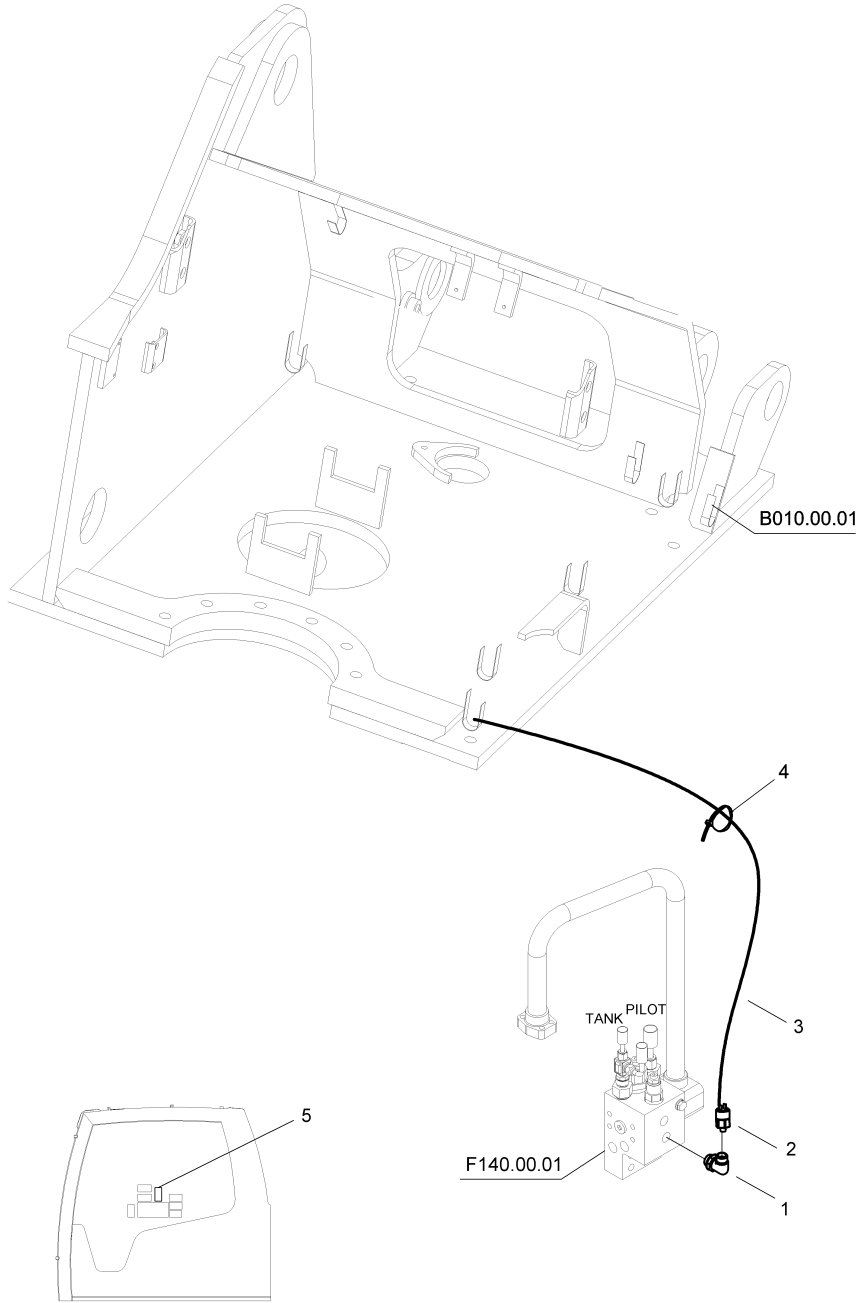
**ARM EMNİYET VALFİ SİSTEMİ (2 PARÇALI BOM, OP)**  
**ARM SAFETY LOCK SYSTEM (TWO PIECES BOOM, OP)**



**ARM EMNİYET VALFİ SİSTEMİ (2 PARÇALI BOM, OP)**  
**ARM SAFETY LOCK SYSTEM (TWO PIECES BOOM, OP)**

No	Parça No	Parça Adı		Adet	S.K.	Bas.S.N	Bit.S.N	Y.K.	Not
No	Part no		Description	Qty	SC	S/N from	S/N to	ICA	Note
1	H200195500	EMNİYET KİLİT VALFİ	SAFETY LOCK VALVE	1					
2	H200195301	TESİSAT BORUSU K.M.	PIPE W.A.	1					
3	97Q0912138	HORTUM KOMPLESİ	HOSE ASS'Y	2					
4	N16T020202	T ADAPTÖR	TEE	2					
5	51012200	KABLO BAĞI	TIE, CABLE	60					
6	N16K550310	NİPEL	ADAPTER	2					
7	N015890830	CIVATA	BOLT	4					
8	N031360010	YAYLI RONDELA	SPRING WASHER	4					

**AŞIRI YÜK UYARI SİSTEMİ (EMNİYET VALFLİ, OP)**  
**OVERLOAD WARNING SYSTEM (WITH RELIEF VALVE, OP)**

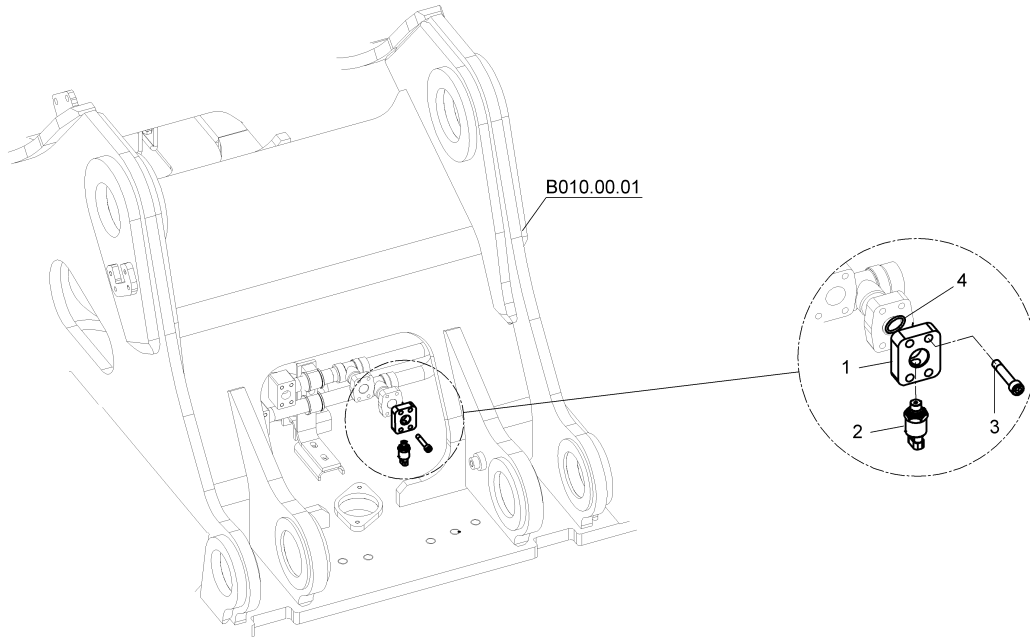




**AŞIRI YÜK UYARI SİSTEMİ (EMNİYET VALFLİ, OP)**  
**OVERLOAD WARNING SYSTEM (WITH RELIEF VALVE, OP)**

No	Parça No	Parça Adı		Adet	S.K.	Bas.S.N	Bit.S.N	Y.K.	Not
No	Part no		Description	Qty	SC	S/N from	S/N to	ICA	Note
1	H343206202	SENSÖR, BASINÇ	SENSOR, PRESSURE	1					
2	N16M041000	DIRSEK	ELBOW	1					
3	H208001500	ELEKTRİK TESİSATI	HARNESS	1					
4	51011700	KABLO BAĞI	TIE, CABLE	10					
5	H907002000	ETİKET	DECAL	1					

**AŞIRI YÜK UYARI SİSTEMİ (EMNİYET VALFSİZ, OP)**  
**OVERLOAD WARNING SYSTEM (WITHOUT RELIEF VALVE, OP)**



**AŞIRI YÜK UYARI SİSTEMİ (EMNİYET VALFSİZ, OP)**  
**OVERLOAD WARNING SYSTEM (WITHOUT RELIEF VALVE, OP)**

No	Parça No	Parça Adı	Adet	S.K.	Bas.S.N	Bit.S.N	Y.K.	Not
No	Part no	Description	Qty	SC	S/N from	S/N to	ICA	Note
1	H340198100	FLANŞ	1					
2	H343206202	SENSÖR, BASINÇ	1					
3	N015890878	CIVATA	4					M10x55
4	N102003335	O-RİNG	1					

# G - HİDROLİK KOMPONENTLER

## G - HYDRAULIC COMPONENTS

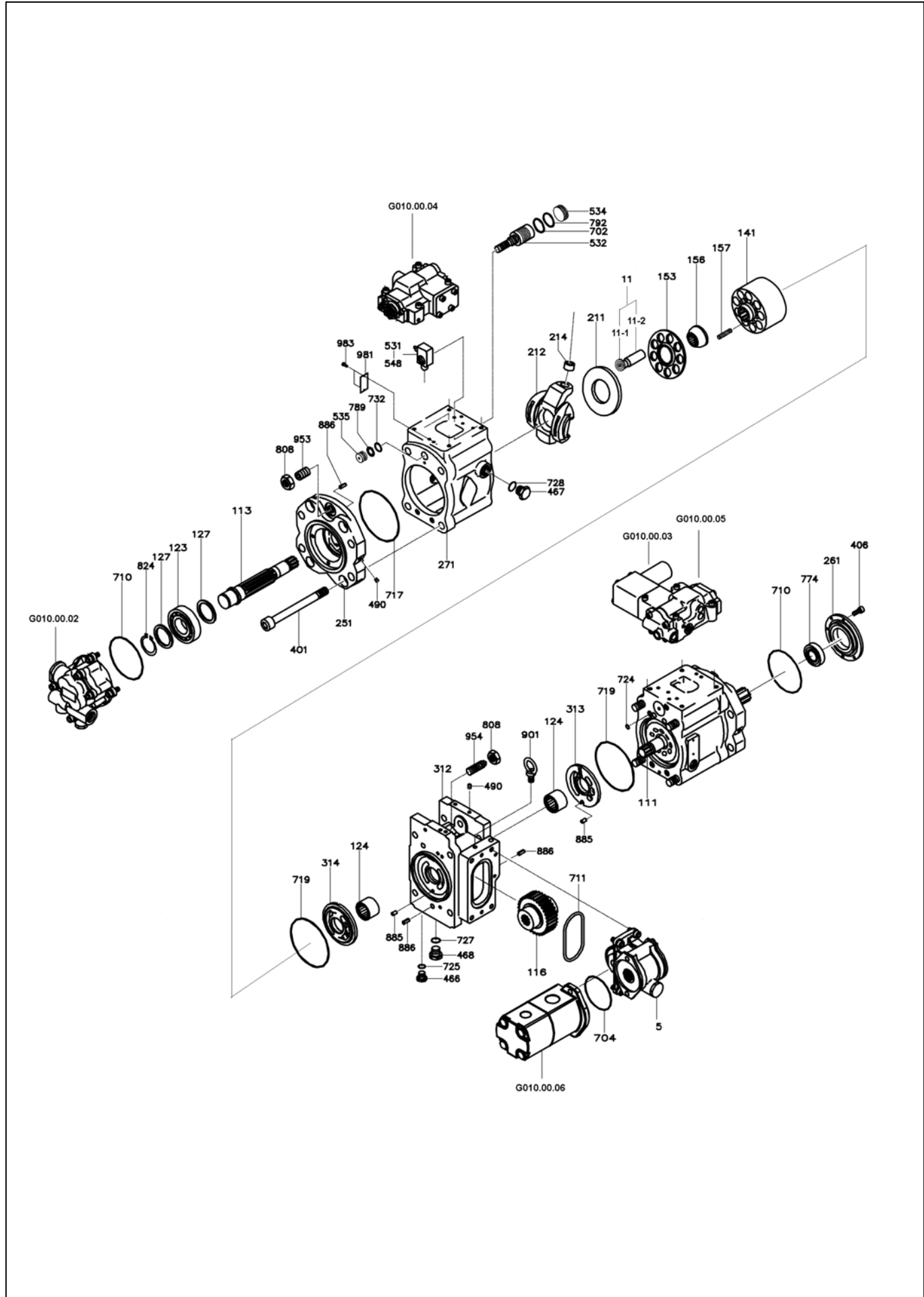
Sayfa No / Page No	Sayfa Adı	Page Name	Revizyon / Revision
G010.00.01	HİDROLİK POMPA	HYDRAULIC PUMP	
G010.00.02	DİŞLİ POMPA	GEAR PUMP	
G010.00.03	ORANSAL BASINÇ VALFİ	PROPORTIONAL REDUCING VALVE	
G010.00.04	POMPA REGÜLATÖRÜ, ÖN	PUMP REGULATOR, FRONT	
G010.00.05	POMPA REGÜLATÖRÜ, ARKA	PUMP REGULATOR, REAR	
G010.00.06	DİŞLİ POMPA, DİREKSİYON VE FREN	GEAR PUMP, STEERING & BRAKE	
G020.00.01	ANA KUMANDA VALFİ (1)	MAIN CONTROL VALVE (1)	
G020.00.02	ANA KUMANDA VALFİ (2)	MAIN CONTROL VALVE (2)	
G020.00.03	ANA KUMANDA VALFİ (3)	MAIN CONTROL VALVE (3)	
G030.00.01	KULE DÖNÜŞ ÜNİTESİ, MOTOR	SWING UNIT, MOTOR	
G040.00.01	KULE DÖNÜŞ ÜNİTESİ, DİŞLİ KUTUSU	SWING UNIT, REDUCTION GEAR	
G050.00.01	YÜRÜYÜŞ MOTORU (1)	TRAVEL MOTOR (1)	
G050.00.02	YÜRÜYÜŞ MOTORU (2)	TRAVEL MOTOR (2)	
G050.00.03	YÜRÜYÜŞ MOTORU (3)	TRAVEL MOTOR (3)	
G070.00.01	DÖNER DAĞITICI	TURNING JOINT	
G080.00.01	JOYSTİK, SAĞ	JOYSTICK, RH	
G080.00.02	JOYSTİK, SOL	JOYSTICK, LH	
G090.00.01	JOYSTİK, DOZER VE AYAK (OP)	JOYSTICK, DOZER & OUTRIGGER (OP)	
G110.00.01	YÜRÜYÜŞ PEDALI	TRAVEL PEDAL	
G120.00.01	ŞANZİMAN VALFİ	TRANSMISSION VALVE	
G130.00.01	PİLOT VE ŞANZİMAN VALFİ	PILOT AND TRANSMISSION VALVE	
G150.00.01	1'Lİ SOLENOİD VALF	SOLENOID VALVE, 1 SECTION	
G160.00.01	2'Lİ SOLENOİD VALF	SOLENOID VALVE, 2 SECTION	
G175.00.01	KULE KİLİT VALFİ	SWING SAFETY LOCK VALVE	
G180.00.01	BOM SİLİNDİRİ, SAĞ	BOOM CYLINDER, RH	
G180.00.02	BOM SİLİNDİRİ, SOL	BOOM CYLINDER, LH	
G180.01.01	BOM SİLİNDİRİ, SAĞ (2 PARÇALI BOM 1, OP)	BOOM CYLINDER, RH (2-PIECE BOOM 1, OP)	
G180.01.02	BOM SİLİNDİRİ, SOL (2 PARÇALI BOM 1, OP)	BOOM CYLINDER, LH (2-PIECE BOOM 1, OP)	
G180.01.03	BOM SİLİNDİRİ, (2 PARÇALI BOM 2, OP)	BOOM CYLINDER, (2-PIECE BOOM 2, OP)	
G190.00.01	ARM SİLİNDİRİ	ARM CYLINDER	
G200.00.01	KEPÇE SİLİNDİRİ	BUCKET CYLINDER	
G210.00.01	ÇABUK SÖK TAK SİLİNDİRİ (OP)	QUICK COUPLER CYLINDER (OP)	
G220.00.01	AYAK SİLİNDİRİ, SAĞ	OUTRIGGER CYLINDER, RH	

# G - HİDROLİK KOMPONENTLER

## G - HYDRAULIC COMPONENTS

Sayfa No / Page No	Sayfa Adı	Page Name	Revizyon / Revision
G220.00.02	AYAK SİLİNDİRİ, SOL	OUTRIGGER CYLINDER, LH	
G230.00.01	DOZER SİLİNDİRİ, SAĞ	DOZER CYLINDER, RH	
G230.00.02	DOZER SİLİNDİRİ, SOL	DOZER CYLINDER, LH	
G240.00.01	OSİLASYON SİLİNDİRİ	OSCILLATING CYLINDER	

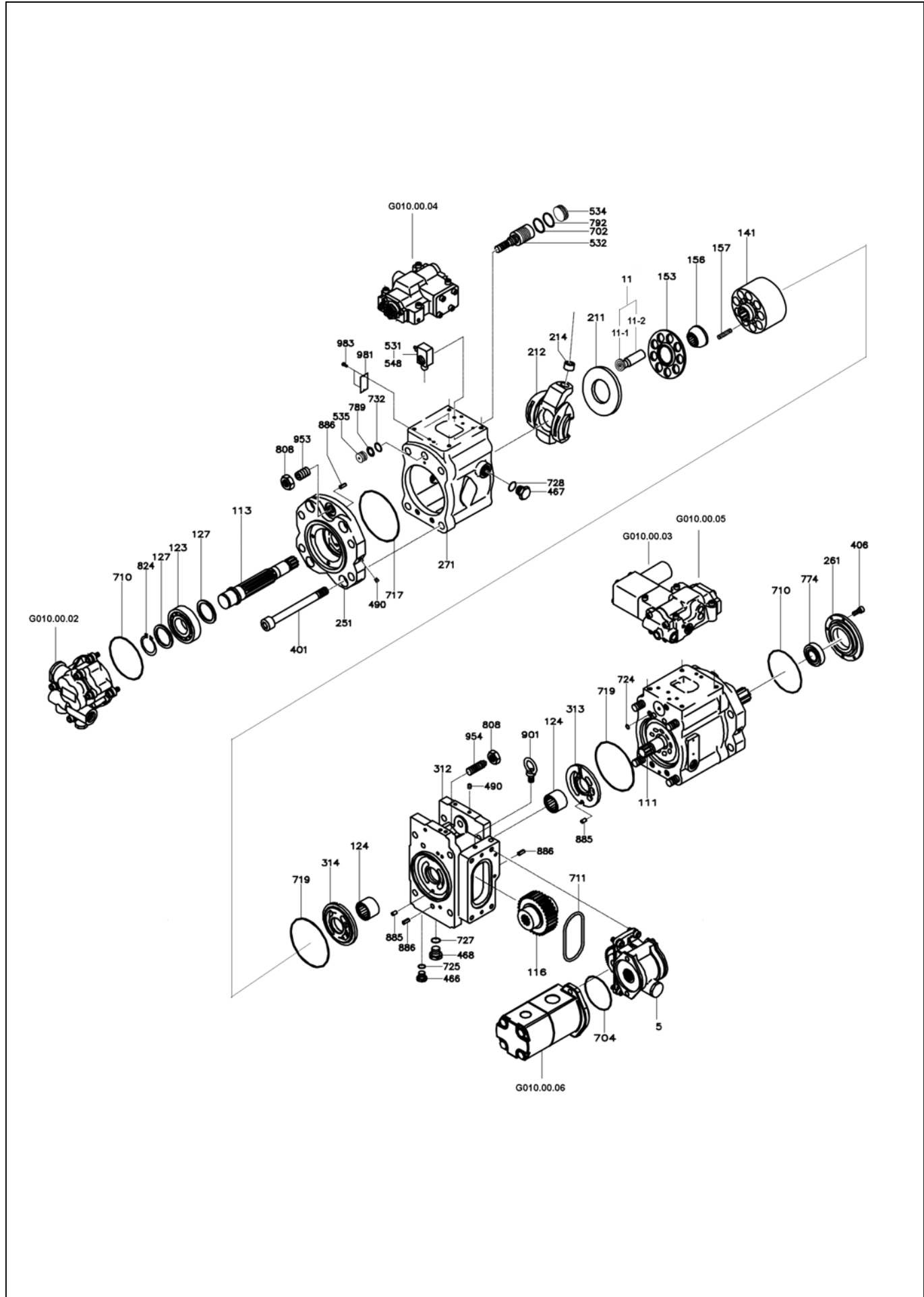
HÍDROLİK POMPA  
HYDRAULIC PUMP



## HİDROLİK POMPA HYDRAULIC PUMP

No	Parça No	Parça Adı	Adet	S.K.	Bas.S.N	Bit.S.N	Y.K.	Not
No	Part no	Description	Qty	SC	S/N from	S/N to	ICA	Note
0	H203010100	HİDROLİK POMPA	1					
5	H239010051	POMPA TAHRIK KOMPLESİ	1					
11	H209010031	PISTON KOMPLESİ	1					K3,K4,K7,K8
11-1	H309010003	PISTON	18					
11-2	H309010004	PISTON PABUCU	18					
111	H209010011	ŞAFT, ÖN	1					
113	H209010012	ŞAFT, ARKA	1					
116	H209010013	DIŞLİ	1					
123	H209010007	RULMAN	2					K10
124	H209010014	RULMAN	2					K10
127	H209010015	BOŞLUK PULU	4					K10
141	H209010016	SİLİNDİR BLOK, HİDROLİK POMPA	2					K7,K8
153	H209010017	TUTUCU PLAKA	2					K7,K8
156	H209010008	BURÇ	2					K7,K8
157	H209010018	YAY	18					K7,K8
211	H209010019	DAYANMA PLAKASI	2					K7,K8
212	H209010034	EĞİK PLAKA	2					K5
214	H209010035	BURÇ	2					K5
251	H209010036	GÖVDE, BAĞLANTI	2					K5
261	H209010020	KAPAK	1					
271	H209010021	GÖVDE, HİDROLİK POMPA	2					
312	H209010022	BLOK, VALF	1					
313	H309010005	VALF PLAKASI	1					K3,K8
314	H309010006	VALF PLAKASI	1					K4,K7
401	H209010023	CIVATA	8					K9
406	H209010039	CIVATA	4					K9
466	H349010026	TAPA	2					K9
467	H209010040	TAPA	4					K9
468	H209010041	TAPA	2					K9
490	H349010028	TAPA	15					K5
531	H209010042	PİM	2					K2
532	H209010043	PISTON KOMPLESİ	2					K2
534	H209010027	DURDURUCU	2					
535	H209010028	DURDURUCU	2					
548	H239010077	PİM	2					K2
702	H209010045	O-RİNG	2					K1
704	H309010037	O-RİNG	1					K1
710	H209010046	O-RİNG	1					K1
711	H349010087	O-RİNG	1					K1
717	H209010047	O-RİNG	2					K1
719	H209010048	O-RİNG	2					K1
724	H239010134A	O-RİNG	18					K1
725	H349010088	O-RİNG	2					K1
727	H239010080	O-RİNG	2					K1
728	H239010136	O-RİNG	4					K1
732	H239010138	O-RİNG	2					K1
774	H309010016	KEÇE, YAĞ	1					K1
789	H209010053	BACK-UP RİNG	2					K1

# HÍDROLIK POMPA HYDRAULIC PUMP

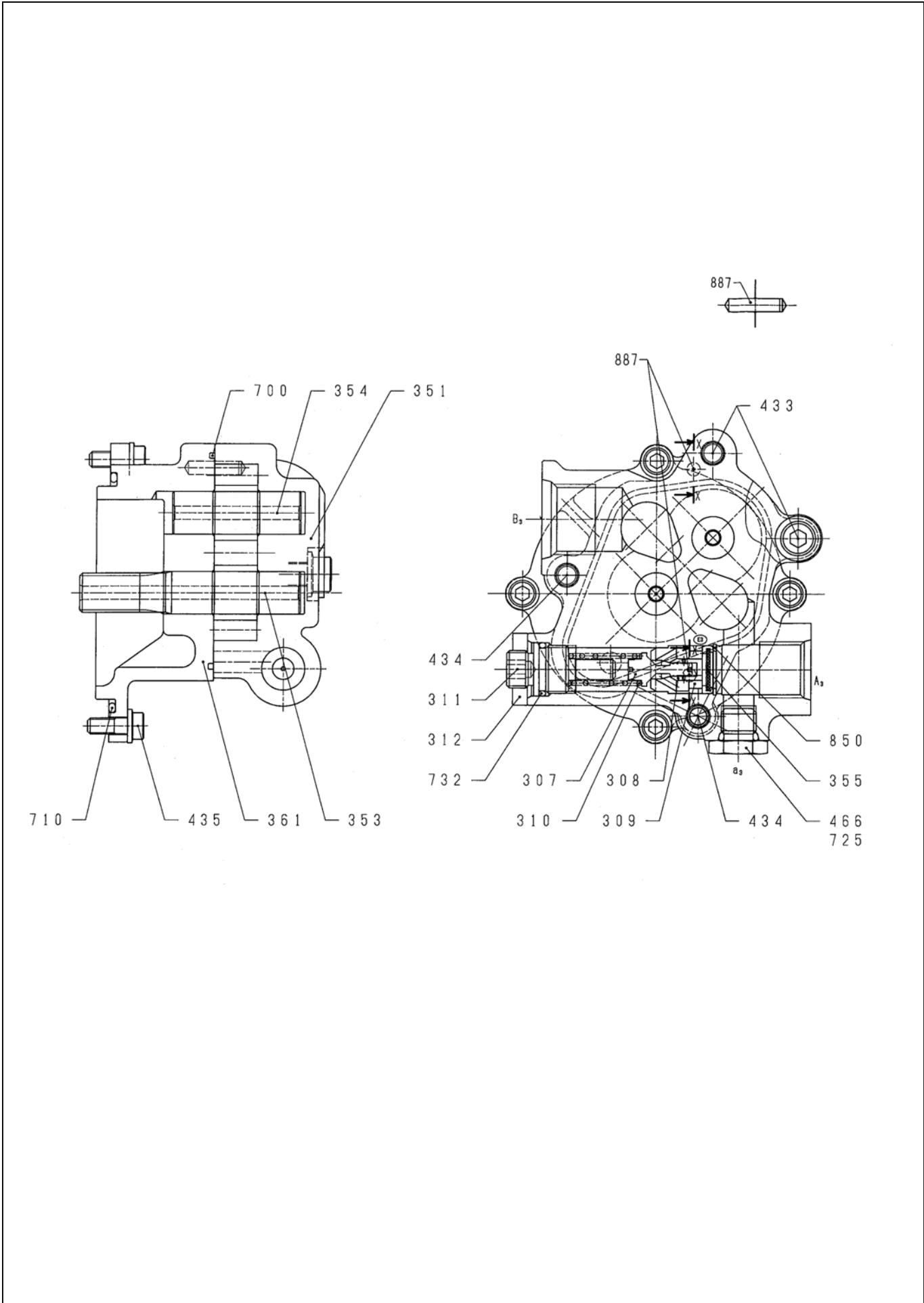




## HİDROLİK POMPA HYDRAULIC PUMP

No	Parça No	Parça Adı		Adet	S.K.	Bas.S.N	Bit.S.N	Y.K.	Not
No	Part no	Description		Qty	SC	S/N from	S/N to	ICA	Note
792	H209010054	BACK-UP RİNG	RING, BACK-UP	2					K1
808	H349010048	SOMUN	NUT	4					K9
824	H209010055	SEGMAN	RING, SNAP	2					
885	H239010174	PİM	PIN, VALVE PLATE	2					
886	H349010052	PİM	PIN, SPRING	4					K5
901	H349010053	KALDIRMA MAPASI	BOLT, EYE	2					
953	H349010054	AYAR CIVATASI	SCREW, SET	2					K9
954	H259010016	İSİM PLAKASI	PLATE, NAME	2					K9
981	H259010015	PİM	PIN	1					
983	H259010015	PİM	PIN	2					
K1	H209010030	KEÇE TAKIMI	SEAL KIT	1					
K2	H209010006	SERVO PİSTON KOMPLESİ	SERVO PISTON ASS'Y	2					
K3	H309010012	SİLİNDİR KOMPLESİ, SAĞ	ASS'Y, CYLINDER (R)	1					
K4	H309010013	SİLİNDİR KOMPLESİ, SOL	ASS'Y, CYLINDER (L)	1					
K5	H209010009	EĞİK PLAKA KOMPLESİ	SWASH PLATE ASS'Y	2					
K6	H309010017	KEÇE TAKIMI, REGULATOR	REGULATOR SEAL KIT	1					
K7	H209010004	DÖNER GRUP, SOL	ROTARY, GROUP (L)	1					
K8	H209010005	DÖNER GRUP, SAĞ	ROTARY, GROUP (R)	1					
K9	H209010096	CIVATA VE TAPA KİTİ	BOLT & PLUG KIT	1					
K10	H309010019	RULMAN KİTİ	BEARING KIT	1					

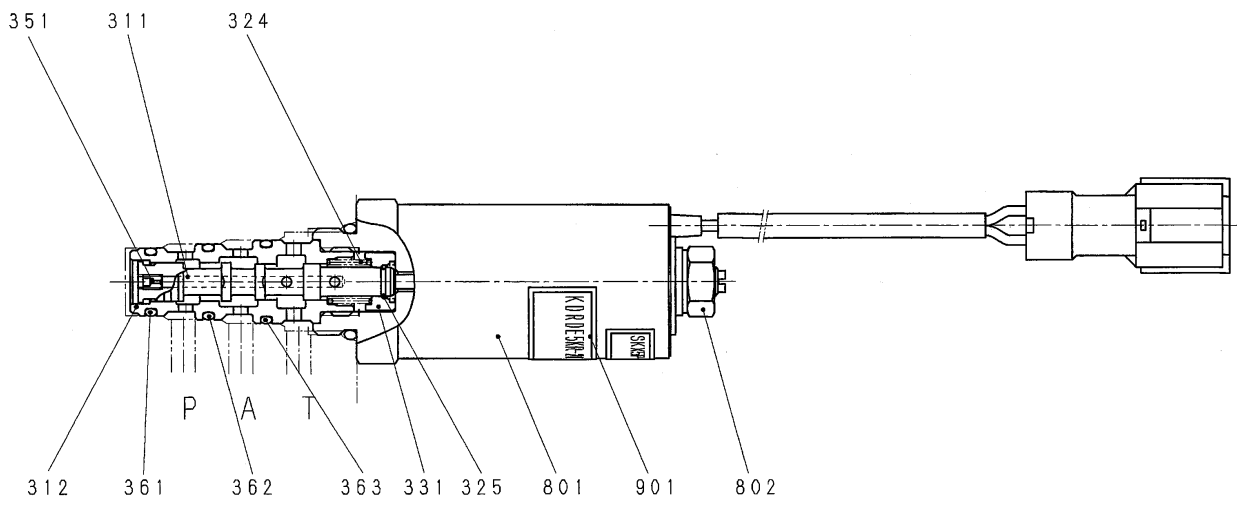
# DİŞLİ POMPA GEAR PUMP



## DİŞLİ POMPA GEAR PUMP

No	Parça No	Parça Adı		Adet	S.K.	Bas.S.N	Bit.S.N	Y.K.	Not
No	Part no	Description		Qty	SC	S/N from	S/N to	ICA	Note
0	H203000300	PİLOT POMPA	PUMP, GEAR	1					
307	H349010130	POPET	POPPET	1	K1				
308	H349010131	POPET YUVASI	SEAT	1	K1				
309	H349010132	BİLEZİK	RING	1					
310	H349010133	YAY	SPRING	1					
311	H349010134	CIVATA	SCREW, ADJUSTING	1					
312	H349010076	SOMUN	NUT, LOCK	1					
351	H349010135	GÖVDE, DİŞLİ POMPA	CASE, GEAR	1	NSP				
353	H349010078	DİŞLİ, TAHRİK	GEAR, DRIVE	1	NSP				
354	H349010079	DİŞLİ, TAHRİK EDİLEN	GEAR, DRIVEN	1	NSP				
355	H349010123	FİLTRE	FILTER	1					
361	H209010080	GÖVDE, POMPA ÖN	CASE, FRONT	1	NSP				
433	H349010082	CIVATA	SOCKET, FLANGE	2					
434	H349010083	CIVATA	SOCKET, FLANGE	2					
435	H209010081	CIVATA	SOCKET, FLANGE	4					
466	H349010026	TAPA	PLUG	1					
700	H349010086	BİLEZİK	RING	1					
710	H209010046	O-RİNG	O-RING	1					
725	H349010088	O-RİNG	O-RING	1					
732	H349010089	O-RİNG	O-RING	1					
850	H349010090	SEGMAN	RING, SNAP	1					
887	H239010154	PİM	PIN	2					
K1	H349010174	POPET KOMPLESİ	ASS'Y, POPPET	1					

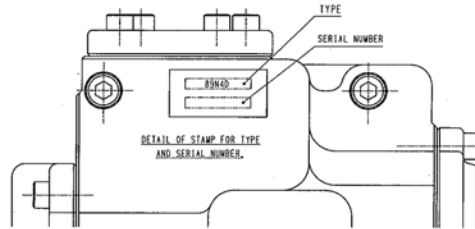
# ORANSAL BASINÇ VALFİ PROPORTIONAL REDUCING VALVE



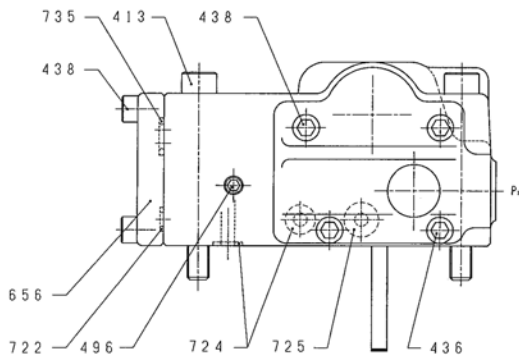
**ORANSAL BASINÇ VALFİ**  
**PROPORTIONAL REDUCING VALVE**

No	Parça No	Parça Adı		Adet	S.K.	Bas.S.N	Bit.S.N	Y.K.	Not
No	Part no		Description	Qty	SC	S/N from	S/N to	ICA	Note
0	H349010093	ORANSAL VALF	PROPORTIONAL VALVE	1					
311	H349010094	SÜRGÜ	SPOOL	1					
312	H349010095	KOVAN	SLEEVE	1					
324	H349010096	YAY	SPRING	1					
325	H349010097	C-RİNG	C-RING	1					
331	H349010098	YAY TUTUCU	SPRING SEAT	1					
351	H349010099	KISICI	ORIFICE	1					
361	H349010100	O-RİNG	O-RING	1					
362	H349010101	O-RİNG	O-RING	1					
363	H349010102	O-RİNG	O-RING	1					
801	H349010103	SOLENOID	SOLENOID	1					
802	H349010107	SOMUN	SEAL NUT	1					
901	H349010104	İSİM PLAKASI	NAME PLATE	1					

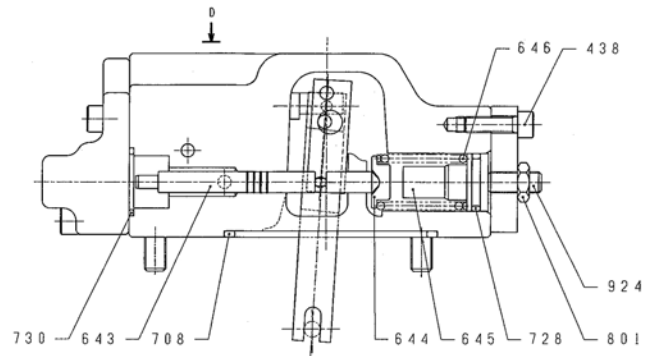
**POMPA REGÜLATÖRÜ, ÖN**  
**PUMP REGULATOR, FRONT**



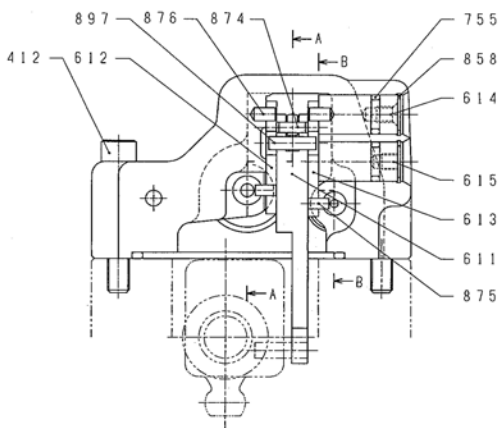
VIEW D



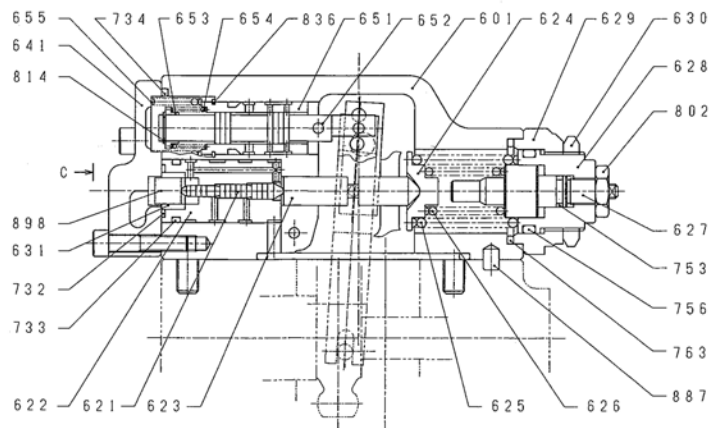
VIEW C



SECTION B-B



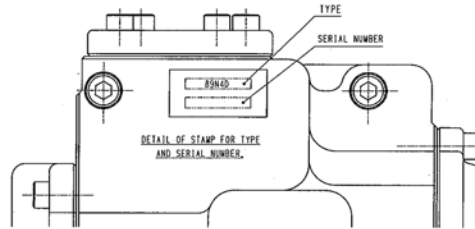
SECTION A-A



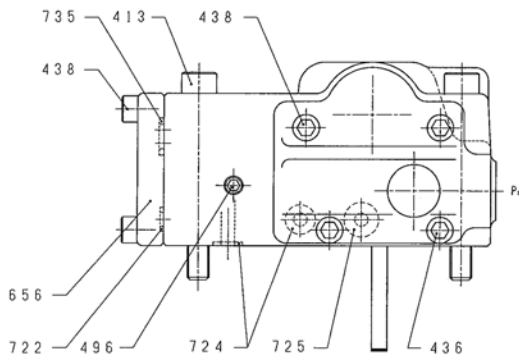
**POMPA REGÜLATÖRÜ, ÖN  
PUMP REGULATOR, FRONT**

No	Parça No	Parça Adı		Adet	S.K.	Bas.S.N	Bit.S.N	Y.K.	Not
No	Part no	Description		Qty	SC	S/N from	S/N to	ICA	Note
0	H209010001	REGÜLATÖR KOMPLESİ, ÖN	REGULATOR ASS'Y, FRONT						
412	H239010100	CIVATA	SCREW, HEX. S. H. C.	2					
413	H239010101	CIVATA	SCREW, HEX. S. H. C.	2					
436	H239010102	CIVATA	SCREW, HEX. S. H. C.	2					
438	H239010103	CIVATA	SCREW, HEX. S. H. C.	6					
496	H349010028	TAPA	PLUG	6					
601	H239010104	GÖVDE, REGÜLATÖR	CASING	1					
611	H209010091	LEVYE, GERİ BESLEME	LEVER, FEEDBACK	1					
612	H239010106	LEVYE	LEVER (1)	1					
613	H239010107	LEVYE	LEVER (2)	1					
614	H239010108	TAPA	PLUG, CENTER	1					
615	H239010109	AYAR TAPASI	PLUG, ADJUST	1					
621	H349010153	PİSTON, KOMPANSATÖR	PISTON, COMPENSATOR	1					
622	H209010093	KOVAN, PİSTON	CASE, PISTON	1					
623	H239010112	ÇUBUK	ROD	1					
624	H239010113	YAY TUTUCU	SEAT (C), SPRING	1					
625	H209010094	YAY	SPRING, OUTER	1					
626	H209010095	YAY	SPRING, INNER	1					
627	H209010092	AYAR MİLİ	STEM ( C), ADJUST	1					
628	H239010117	AYAR TAPASI	SCREW (C), ADJUST	1					
629	H239010118	KAPAK	COVER (C)	1					
630	H239010119	SOMUN	NUT	1					
641	H239010121	KAPAK	COVER, PILOT	1					
643	H239010122	PİSTON	PISTON, PILOT	1					
644	H239010123	YAY TUTUCU	SEAT (Q), SPRING	1					
645	H239010124	AYAR MİLİ	STEM (Q), ADJUST	1					
646	H239010125	YAY	SPRING, PILOT	1					
651	H349010156	KOVAN	SLEEVE	1					
652	H239010127	SÜRGÜ	SPOOL	1					
653	H239010128	YAY TUTUCU	SEAT, SPRING	1					
654	H239010129	YAY	SPRING, RETURN	1					
655	H239010130	YAY	SPRING, SET	1					
656	H239010131	KAPAK, BLOK	COVER, BLOCK	1					
708	H239010132	O-RİNG	O-RING	1					
722	H239010133	O-RİNG	O-RING	1					
724	H239010134A	O-RİNG	O-RING	9					
725	H239010135	O-RİNG	O-RING	1					
728	H239010136	O-RİNG	O-RING	1					
730	H239010137	O-RİNG	O-RING	1					
732	H239010138	O-RİNG	O-RING	1					
733	H239010139	O-RİNG	O-RING	1					
734	H239010140	O-RİNG	O-RING	1					
735	H239010141	O-RİNG	O-RING	1					
753	H239010142	O-RİNG	O-RING	2					
755	H349010088	O-RİNG	O-RING	3					
756	H239010143	O-RİNG	O-RING	1					
763	H239010144	O-RİNG	O-RING	1					
801	H239010145	SOMUN	NUT	1					
802	H239010146	SOMUN	NUT	1					

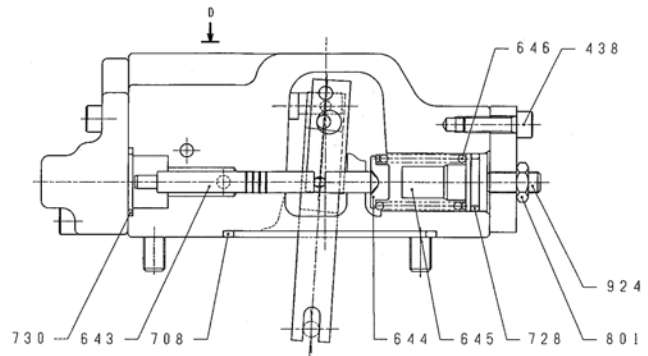
**POMPA REGÜLATÖRÜ, ÖN**  
**PUMP REGULATOR, FRONT**



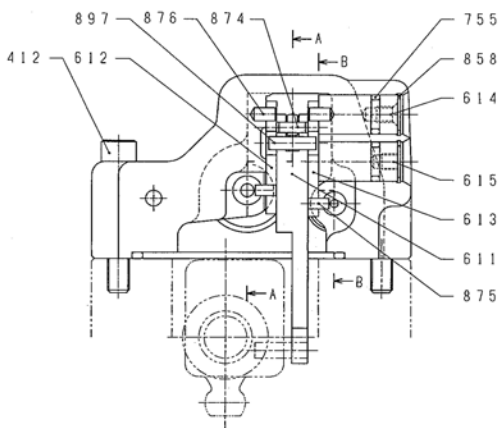
VIEW D



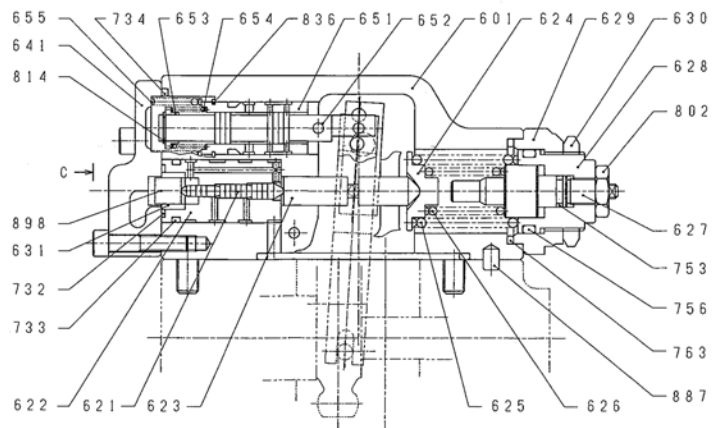
VIEW C



SECTION B-B



SECTION A-A

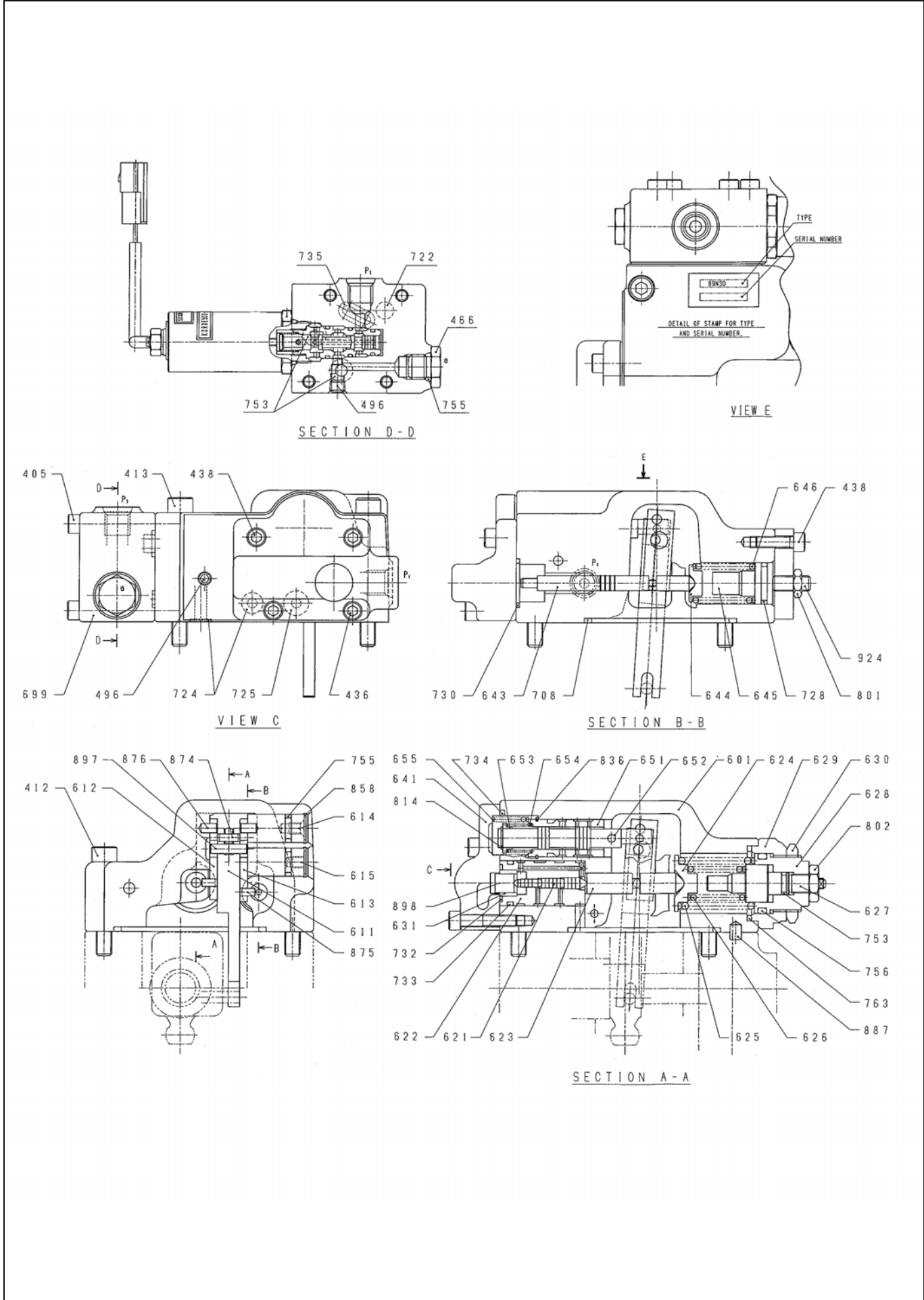




**POMPA REGÜLATÖRÜ, ÖN  
PUMP REGULATOR, FRONT**

No	Parça No	Parça Adı		Adet	S.K.	Bas.S.N	Bit.S.N	Y.K.	Not
No	Part no		Description	Qty	SC	S/N from	S/N to	ICA	Note
814	H239010147	SEGMAN	RING, SNAP	1					
836	H239010148	SEGMAN	RING, SNAP	1					
858	H239010149	SEGMAN	RING, SNAP	2					
874	H239010150	PİM	PIN	1					
875	H239010151	PİM	PIN	2					
876	H239010152	PİM	PIN	2					
887	H239010153	PİM	PIN	1					
897	H239010154	PİM	PIN	1					
898	H209010101	PİM	PIN	1					
924	H239010156	SETSKUR	SCREW, SET	1					

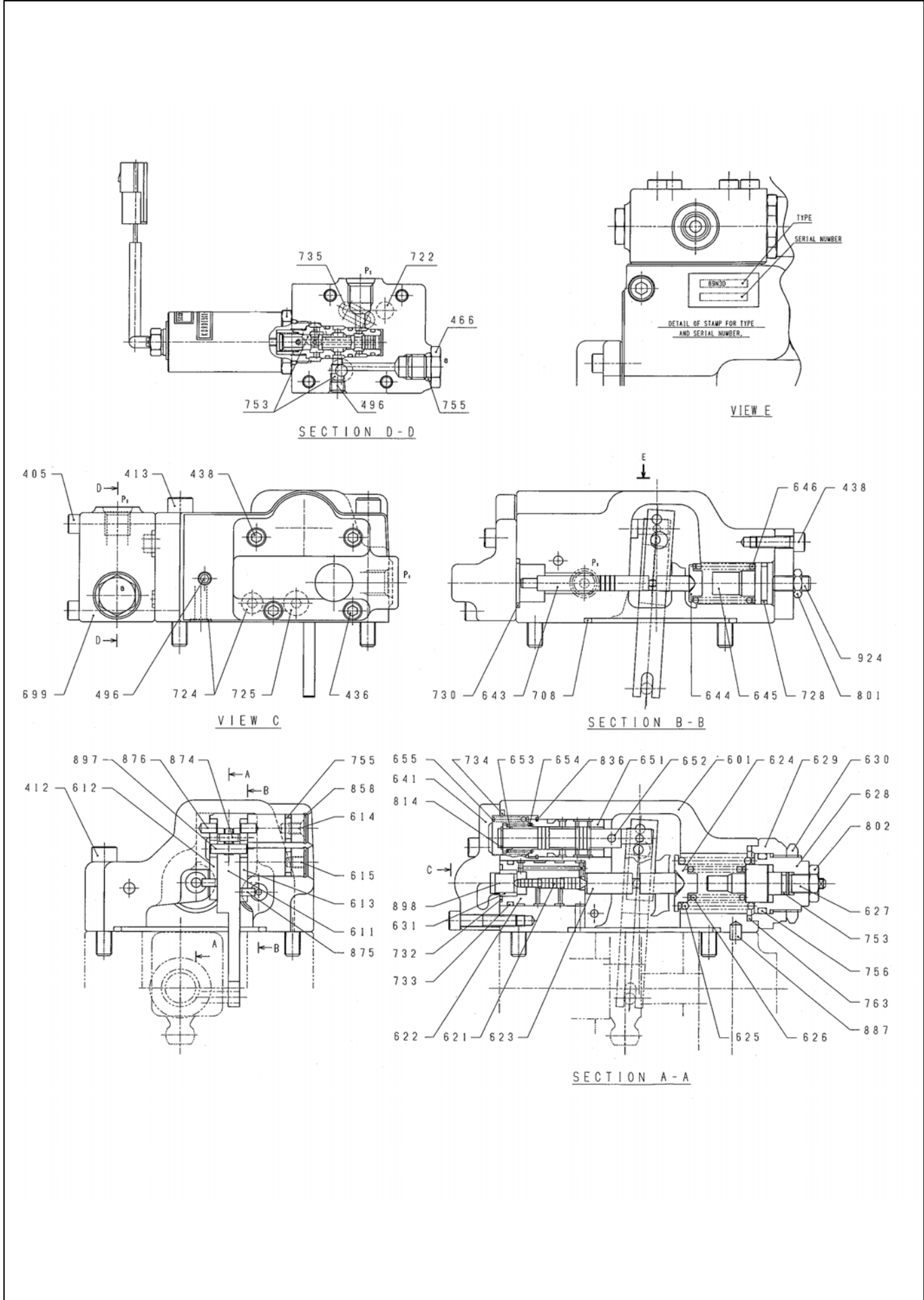
# POMPA REGÜLATÖRÜ, ARKA PUMP REGULATOR, REAR



**POMPA REGÜLATÖRÜ, ARKA  
PUMP REGULATOR, REAR**

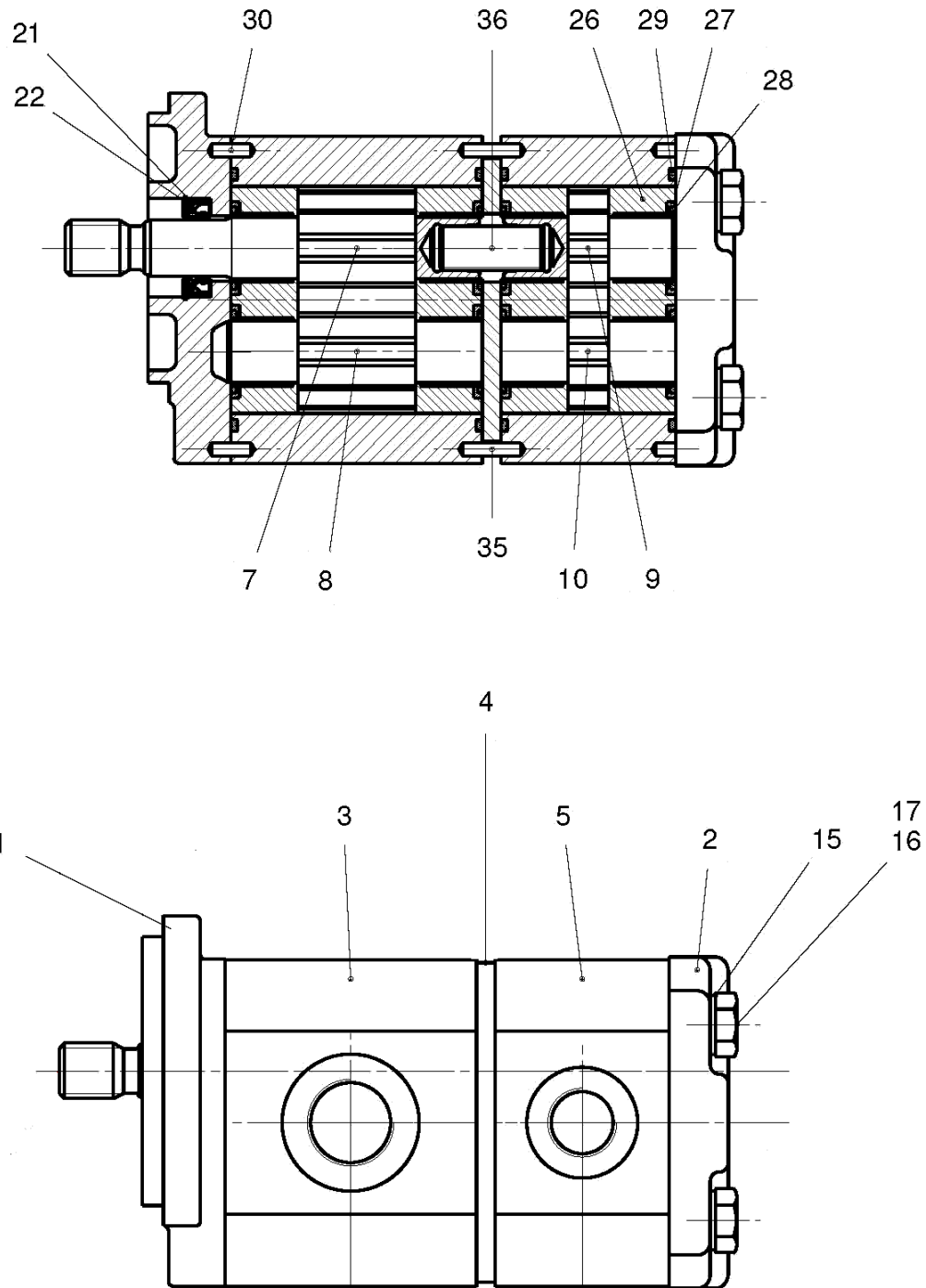
No	Parça No	Parça Adı		Adet	S.K.	Bas.S.N	Bit.S.N	Y.K.	Not
No	Part no	Description		Qty	SC	S/N from	S/N to	ICA	Note
0	H209010002	REGÜLATÖR KOMPLESİ, ARKA	REGULATOR ASS'Y, REAR						
405	H209010090	CIVATA	BOLT	4					
412	H239010100	CIVATA	SCREW, HEX. S. H. C.	2					
413	H239010101	CIVATA	SCREW, HEX. S. H. C.	2					
436	H239010102	CIVATA	SCREW, HEX. S. H. C.	2					
438	H239010103	CIVATA	SCREW, HEX. S. H. C.	6					
466	H309010035	TAPA	PLUG	1					
496	H349010028	TAPA	PLUG	6					
601	H239010104	GÖVDE, REGÜLATÖR	CASING	1					
611	H209010091	LEVYE, GERİ BESLEME	LEVER, FEEDBACK	1					
612	H239010106	LEVYE	LEVER (1)	1					
613	H239010107	LEVYE	LEVER (2)	1					
614	H239010108	TAPA	PLUG, CENTER	1					
615	H239010109	AYAR TAPASI	PLUG, ADJUST	1					
621	H349010153	PISTON, KOMPANSATÖR	PISTON, COMPENSATOR	1					
622	H209010093	KOVAN, PİSTON	CASE, PISTON	1					
623	H239010112	ÇUBUK	ROD	1					
624	H239010113	YAY TUTUCU	SEAT (C), SPRING	1					
625	H209010094	YAY	SPRING, OUTER	1					
626	H209010095	YAY	SPRING, INNER	1					
627	H209010092	AYAR MİLİ	STEM (C), ADJUST	1					
628	H239010117	AYAR TAPASI	SCREW (C), ADJUST	1					
629	H239010118	KAPAK	COVER (C)	1					
630	H239010119	SOMUN	NUT	1					
641	H239010121	KAPAK	COVER, PILOT	1					
643	H239010122	PİSTON	PISTON, PILOT	1					
644	H239010123	YAY TUTUCU	SEAT (Q), SPRING	1					
645	H239010124	AYAR MİLİ	STEM (Q), ADJUST	1					
646	H239010125	YAY	SPRING, PILOT	1					
651	H349010156	KOVAN	SLEEVE	1					
652	H239010127	SÜRGÜ	SPOOL	1					
653	H239010128	YAY TUTUCU	SEAT, SPRING	1					
654	H239010129	YAY	SPRING, RETURN	1					
655	H239010130	YAY	SPRING, SET	1					
699	H309010036	KAPAK, BLOK	COVER, BLOCK	1					
708	H239010132	O-RİNG	O-RING	1					
722	H239010133	O-RİNG	O-RING	1					
724	H239010134A	O-RİNG	O-RING	9					
725	H239010135	O-RİNG	O-RING	1					
728	H239010136	O-RİNG	O-RING	1					
730	H239010137	O-RİNG	O-RING	1					
732	H239010138	O-RİNG	O-RING	1					
733	H239010139	O-RİNG	O-RING	1					
734	H239010140	O-RİNG	O-RING	1					
735	H239010141	O-RİNG	O-RING	1					
753	H209010100	O-RİNG	O-RING	1					
753	H239010142	O-RİNG	O-RING	2					
755	H349010088	O-RİNG	O-RING	3					

# POMPA REGÜLATÖRÜ, ARKA PUMP REGULATOR, REAR



**POMPA REGÜLATÖRÜ, ARKA  
PUMP REGULATOR, REAR**

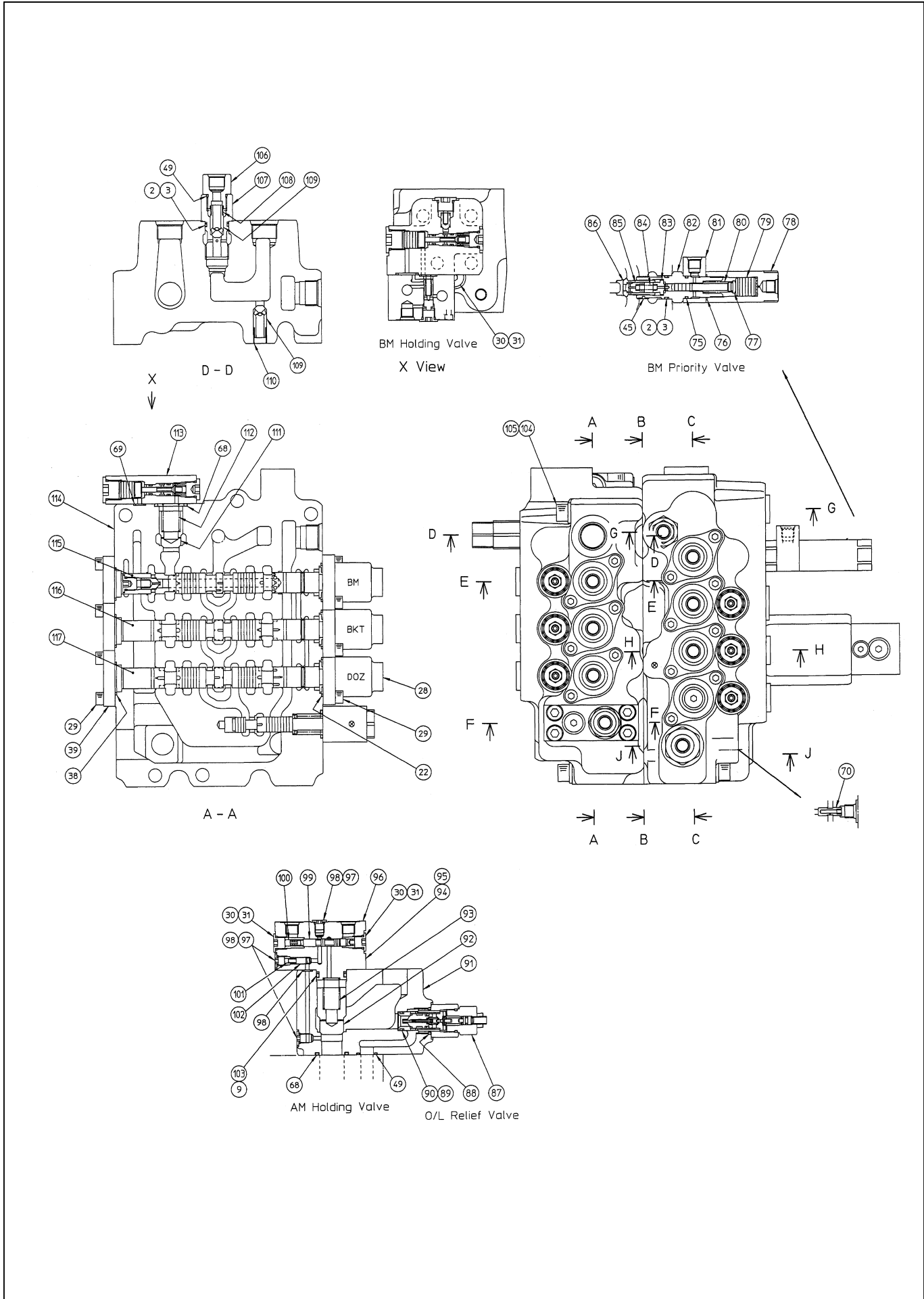
No	Parça No	Parça Adı		Adet	S.K.	Bas.S.N	Bit.S.N	Y.K.	Not
No	Part no		Description	Qty	SC	S/N from	S/N to	ICA	Note
756	H239010143	O-RİNG	O-RING	1					
763	H239010144	O-RİNG	O-RING	1					
801	H239010145	SOMUN	NUT	1					
802	H239010146	SOMUN	NUT	1					
814	H239010147	SEGMAN	RING, SNAP	1					
836	H239010148	SEGMAN	RING, SNAP	1					
858	H239010149	SEGMAN	RING, SNAP	2					
874	H239010150	PİM	PIN	1					
875	H239010151	PİM	PIN	2					
876	H239010152	PİM	PIN	2					
887	H239010153	PİM	PIN	1					
897	H239010154	PİM	PIN	1					
898	H209010101	PİM	PIN	1					
924	H239010156	SETSKUR	SCREW, SET	1					

**DİŞLİ POMPA, DİREKSİYON VE FREN  
GEAR PUMP, STEERING & BRAKE**

**DİŞLİ POMPA, DİREKSİYON VE FREN  
GEAR PUMP, STEERING & BRAKE**

No	Parça No	Parça Adı		Adet	S.K.	Bas.S.N	Bit.S.N	Y.K.	Not
No	Part no	Description		Qty	SC	S/N from	S/N to	ICA	Note
0	H209010003	DİŞLİ POMPA, DİREKSİYON VE FREN	GEAR PUMP, STEERING & BRAKE	1					
1	H239010002	GÖVDE, DİŞLİ POMPA	HOUSING SEC	1					
2	H239010003	GÖVDE, DİŞLİ POMPA	HOUSING PEC	1					
3	H209011001	GÖVDE, DİŞLİ POMPA	HOUSING, GEAR	1					
4	H239010005	ORTA PLAKA	PLATE, MID.	1					
5	H209011002	GÖVDE, DİŞLİ POMPA	HOUSING, GEAR	1					
7	H209011003	DİŞLİ, TAHRIK	GEAR, DRIVE	1					
8	H209011004	DİŞLİ, TAHRIK EDİLEN	GEAR, DRIVEN	1					
9	H209011005	DİŞLİ, TAHRIK	GEAR, DRIVE	1					
10	H209011006	DİŞLİ, TAHRIK EDİLEN	GEAR, DRIVEN	1					
15	H239010010	PUL	WASHER	4					
16	H209011007	CIVATA	BOLT	4					
17	H209011008	SOMUN	NUT	4					
21	H239010012	KEÇE, YAĞ	SEAL, LIP	1					
22	H239010013	SEGMAN	RING, SNAP	1					
26	H239010014	BASKI YATAĞI	THRBLK/BSGH	4					
27	H239010015	KEÇE	SEAL, CHAN.	4					
28	H239010016	BACK-UP RİNG	BACK-UP RING	4					
29	H239010017	KEÇE	SEAL, SECT.	4					
30	H239010018	PİM	PIN DOWEL	2					
35	H239010019	PİM	PIN DOWEL	2					
36	H239010020	ŞAFT	SHAFT	1					

# ANA KUMANDA VALFİ (1) MAIN CONTROL VALVE (1)

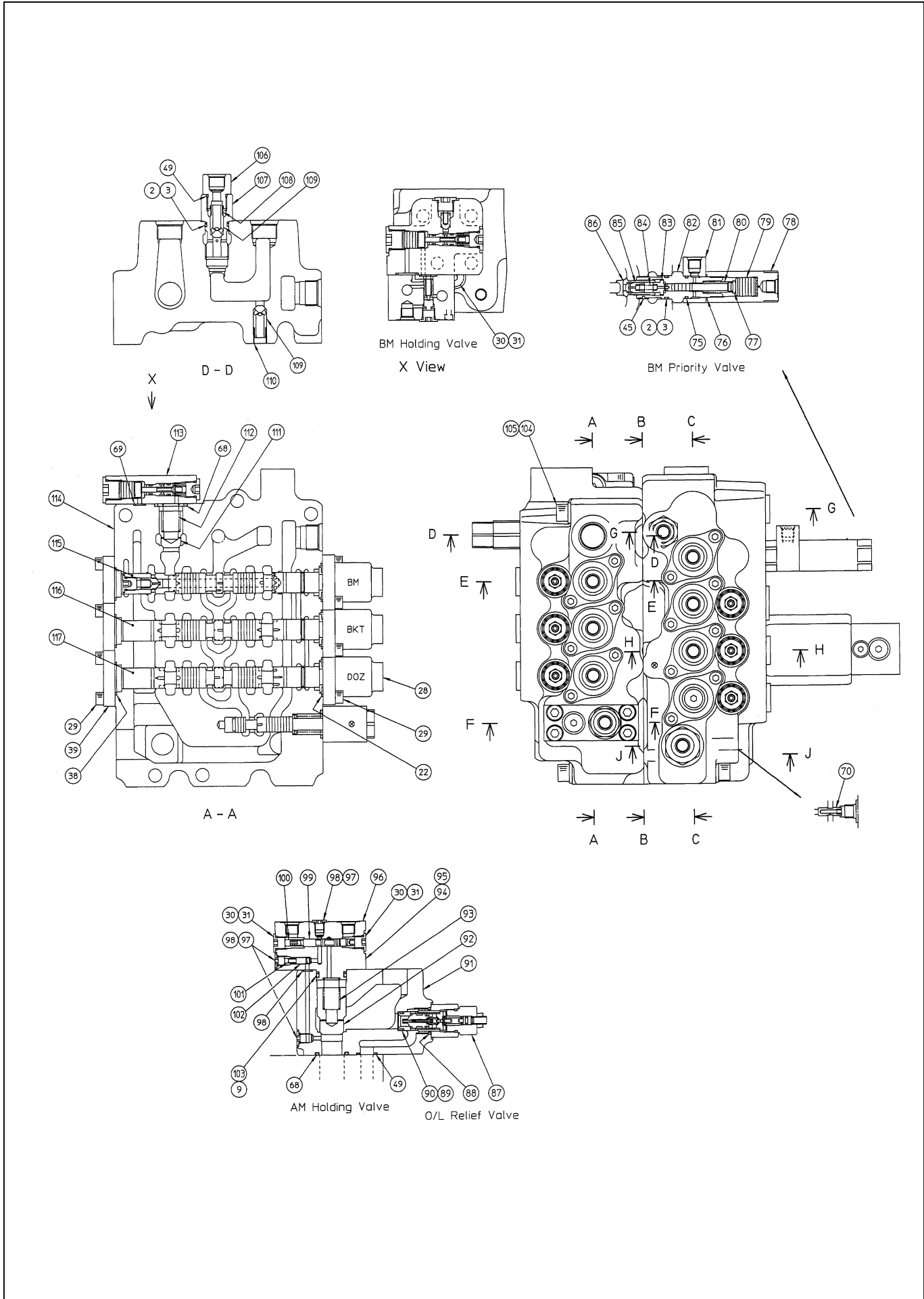




**ANA KUMANDA VALFİ (1)**  
**MAIN CONTROL VALVE (1)**

No	Parça No	Parça Adı		Adet	S.K.	Bas.S.N	Bit.S.N	Y.K.	Not
No	Part no	Description		Qty	SC	S/N from	S/N to	ICA	Note
2	H349015008	O-RİNG	O-RING	2					
3	H349015076	BACK-UP RİNG	BACK-UP RING	2					
9	H349015001	O-RİNG	O-RING	1					
22	H349015027	O-RİNG	O-RING	3					
28	H209015019	SÜRGÜ KAPAĞI	COVER	3					
29	H209015020	CIVATA	BOLT	12					M8x25
30	H349015004	TAPA	CAP	3					
31	H349015003	O-RİNG	O-RING	3					
38	H209015027	O-RİNG	O-RING	3					
39	H209015028	SAC, TUTUCU	RETAINER	3					
45	H349015035	NAYLON YONGA	NYLON CHIP	1					
49	H349015081	O-RİNG	O-RING	2					
68	H349015045	O-RİNG	O-RING	2					
69	H349015012	O-RİNG	O-RING	1					
70	H209015052	KISICI	ORIFICE	1					
75	H209015057	O-RİNG	O-RING	1					
76	H209015058	O-RİNG	O-RING	1					
77	H209015059	PİSTON	PISTON	1					
78	H209015060	TAPA	CAP	1					
79	H209015061	PİSTON	PISTON	1					
80	H209015062	YAY	SPRING	1					
81	H209015063	NIPEL	UNION	1					
82	H209015064	KOVAN	SLEEVE	1					
83	H209015065	YAY KILAVUZU	SPRING GUIDE	1					
84	H209015066	YAY	SPRING	1					
85	H209015067	ÇEK	CHECK	1					
86	H209015068	POPET	POPPET	1					
87	H349015079B	ANTİŞOK VALFİ	O/L RELIEF ASS'Y	1					37.2 Mpa-23L
88	H349015056	O-RİNG	O-RING	1					
89	H349015089	BACK-UP RİNG	BACK-UP RING	1					
90	H349015090	O-RİNG	O-RING	1					
91	H209015069	MANİFOLD	MANIFOLD	1					
92	H349015096	POPET	POPPET	1					
93	H349015095	YAY	SPRING	1					
94	H209015070	KAPAK KOMPLESİ	COVER ASS'Y	1					
95	H209015071	CIVATA	BOLT	1					M10x135
96	H209015072	KAPAK	COVER	3					
97	H209015073	TAPA	CAP	4					
98	H349015139	O-RİNG	O-RING	1					
99	H209015100	SÜRGÜ	SPOOL	1					
100	H209015074	YAY	SPRING	1					
101	H349015201	YAY	SPRING	1					
102	H209015075	ÇEK	CHECK	1					
103	H349015002	BACK-UP RİNG	BACK-UP RING	1					
104	H209015076	CIVATA	BOLT	7					M12x95
105	H209015077	YAYLI RONDELA	SPRING WASHER	7					
106	H209015078	TAPA	CAP	1					
107	H209015079	TAPA	CAP	1					
108	H209015080	YAY	SPRING	1					

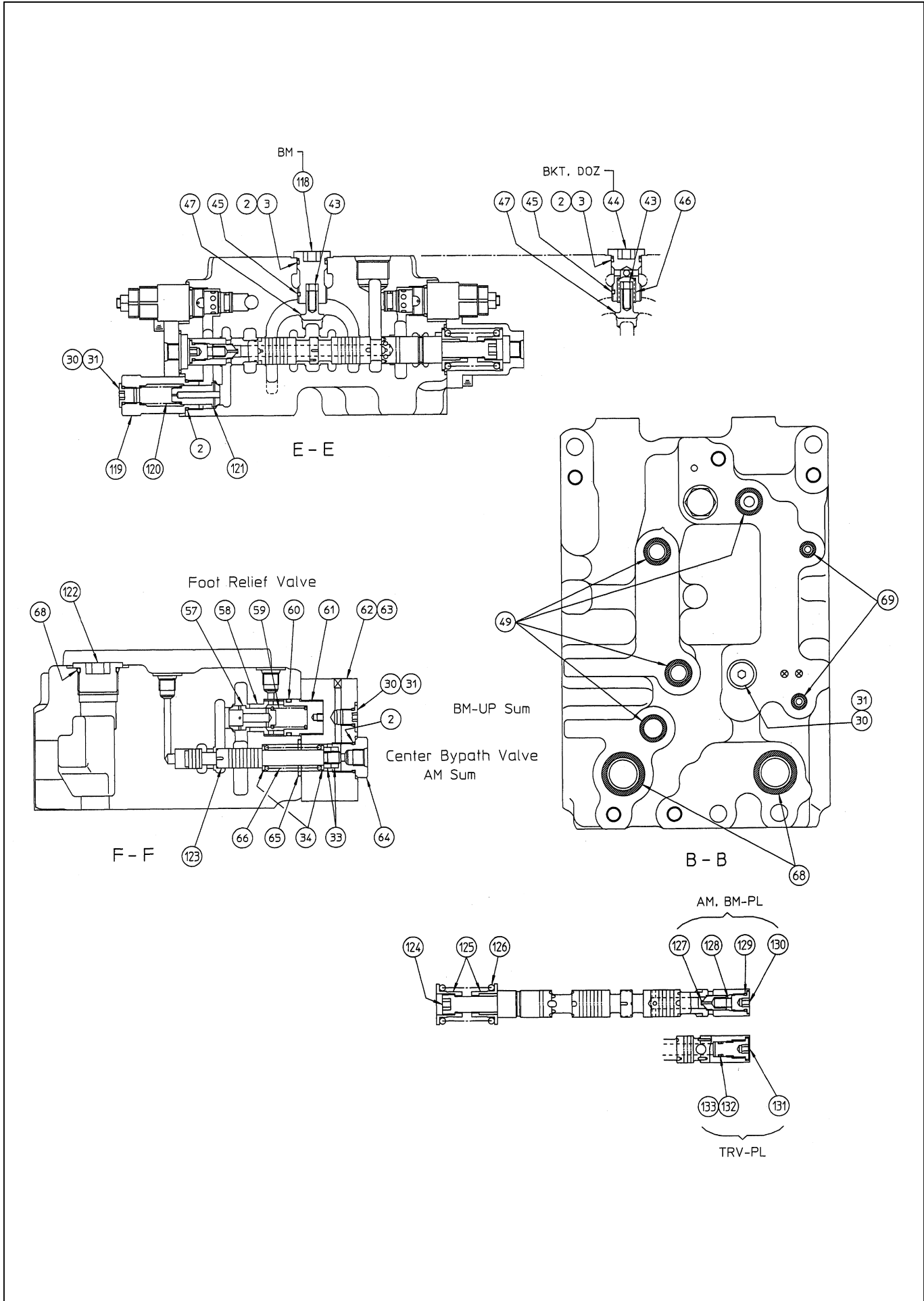
# ANA KUMANDA VALFİ (1) MAIN CONTROL VALVE (1)



**ANA KUMANDA VALFİ (1)**  
**MAIN CONTROL VALVE (1)**

No	Parça No	Parça Adı		Adet	S.K.	Bas.S.N	Bit.S.N	Y.K.	Not
No	Part no		Description	Qty	SC	S/N from	S/N to	ICA	Note
109	H349015063	ÇEK	CHECK	2					
110	H349015064	YAY	SPRING	1					
111	H209015081	POPET	POPPET	1					
112	H209015082	YAY	SPRING	1					
113	H349015013	KAPAK KOMPLESİ	COVER ASS'Y	1					
114	H209015083	GÖVDE	HOUSING	1					
115	H209015084	SÜRGÜ KOMPLESİ, B25	PLUNGER B25 AS	1					BM
116	H209015085	SÜRGÜ KOMPLESİ, C7	PLUNGER C7 AS	1					BKT
117	H209015086	SÜRGÜ KOMPLESİ, D4	PLUNGER D4 AS	1					DOZ

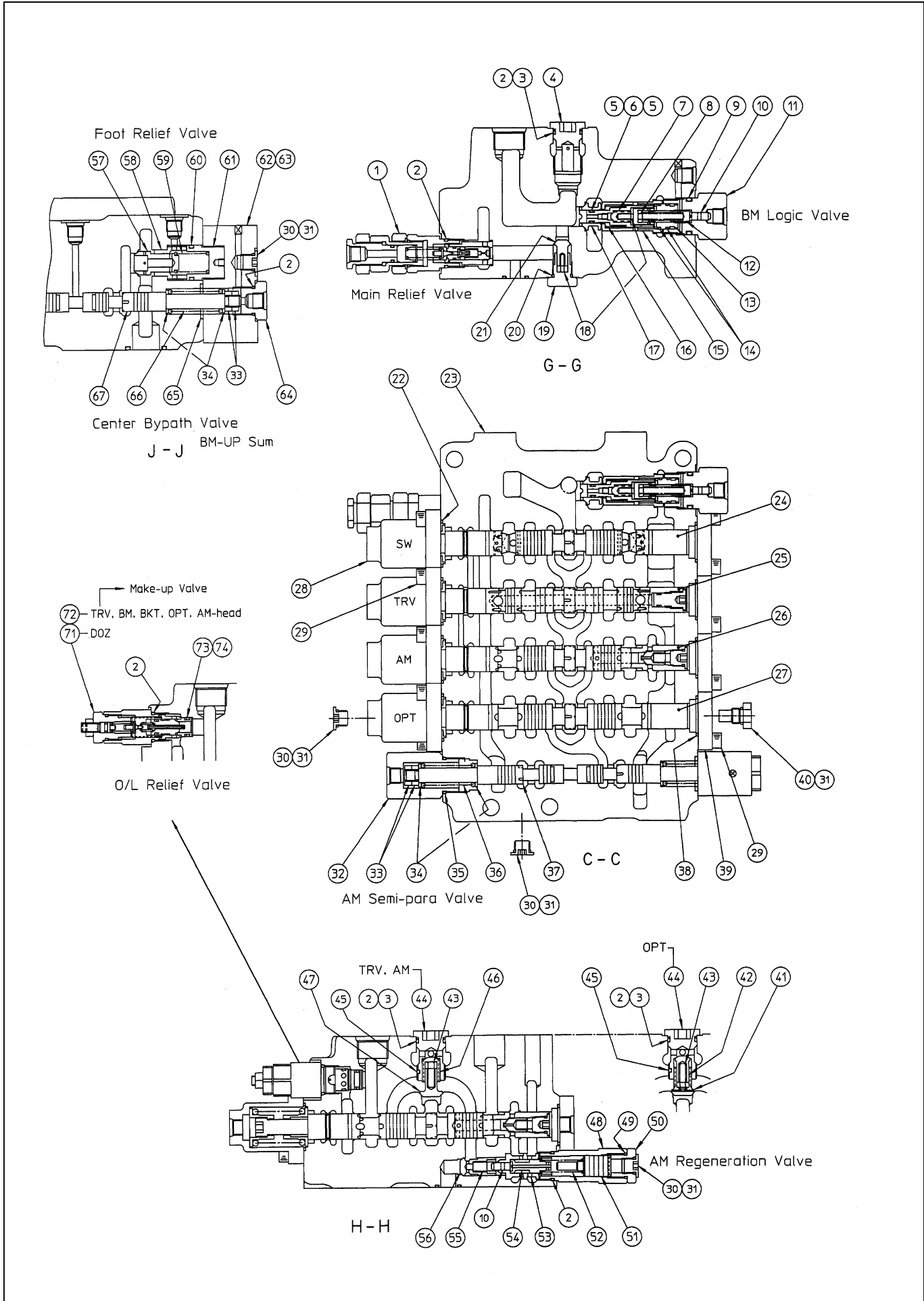
### ANA KUMANDA VALFİ (2) MAIN CONTROL VALVE (2)



**ANA KUMANDA VALFİ (2)**  
**MAIN CONTROL VALVE (2)**

No	Parça No	Parça Adı		Adet	S.K.	Bas.S.N	Bit.S.N	Y.K.	Not
No	Part no	Description		Qty	SC	S/N from	S/N to	ICA	Note
2	H349015008	O-RİNG	O-RING	5					
3	H349015076	BACK-UP RİNG	BACK-UP RING	4					
30	H349015004	TAPA	CAP	2					
31	H349015003	O-RİNG	O-RING	2					
33	H209015022	SOMUN	NUT	2					
34	H209015023	YAY KILAVUZU	SPRING GUIDE	2					
43	H349015036	YAY	SPRING	3					
44	H209015032	TAPA	CAP	2					
45	H349015035	NAYLON YONGA	NYLON CHIP	3					
46	H209015033	ÇEK	CHECK	2					
47	H349015077	ÇEK	CHECK	3					
49	H349015081	O-RİNG	O-RING	4					
57	H209015041	POPET	POPPET	1					
58	H209015042	KOVAN	SLEEVE	1					
59	H209015043	YAY	SPRING	1					
60	H209015044	O-RİNG	O-RING	1					
61	H209015045	YAY KILAVUZU	SPRING GUIDE	1					
62	H209015046	KAPAK	COVER CB	1					
63	H209015047	CIVATA	BOLT	4					M10x45
64	H209015048	TAPA	CAP	1					
65	H209015049	O-RİNG	O-RING	1					
66	H209015050	YAY	SPRING	1					
68	H349015045	O-RİNG	O-RING	3					
69	H349015012	O-RİNG	O-RING	2					
118	H209015087	TAPA	CAP	1					
119	H349015049	TAPA	CAP	1					
120	H349015048	YAY	SPRING	1					
121	H349015047	POPET	POPPET	1					
122	H209015088	TAPA	CAP	1					
123	H209015089	SÜRGÜ	SPOOL	1					
124	H209015090	SÜRGÜ KAPAĞI	PLUNGER CAP	7					
125	H209015091	YAY KILAVUZU	SPRING GUIDE	14					
126	H209015092	YAY	SPRING	7					
127	H209015093	ÇEK	CHECK	2					
128	H209015094	YAY	SPRING	2					
129	H209015095	O-RİNG	O-RING	2					
130	H209015096	TAPA	CAP	2					
131	H209015097	TAPA	CAP	1					
132	H209015098	BACK-UP RİNG	BACK-UP RING	1					
133	H209015099	O-RİNG	O-RING	1					

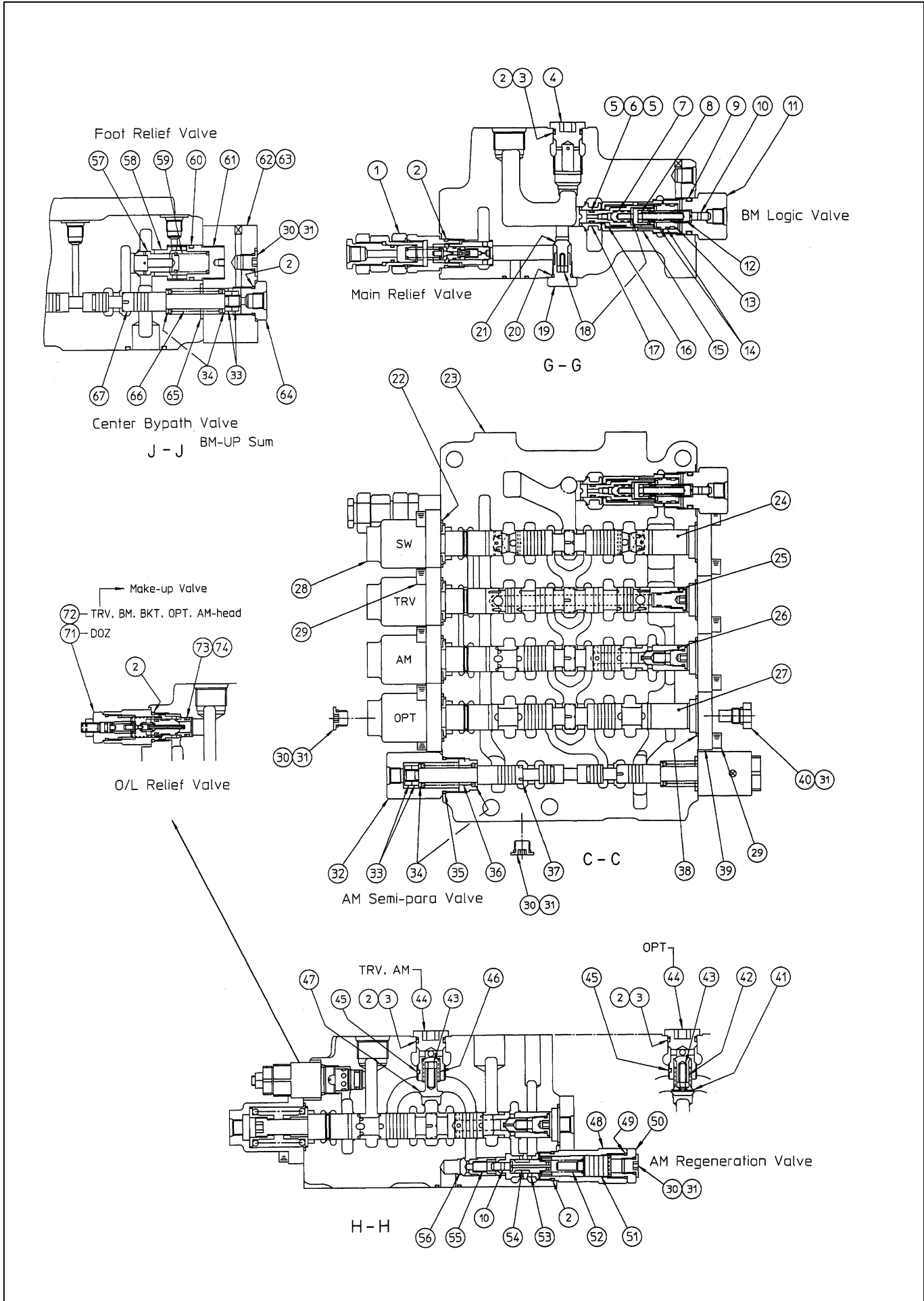
### ANA KUMANDA VALFİ (3) MAIN CONTROL VALVE (3)



**ANA KUMANDA VALFİ (3)**  
**MAIN CONTROL VALVE (3)**

No	Parça No	Parça Adı		Adet	S.K.	Bas.S.N	Bit.S.N	Y.K.	Not
No	Part no	Description		Qty	SC	S/N from	S/N to	ICA	Note
1	H209015010	ANA EMNİYET VALFİ	MAIN RELIEF ASS'Y	1					
2	H349015008	O-RİNG	O-RING	13					
3	H349015076	BACK-UP RİNG	BACK-UP RING	4					
4	H209015011	TAPA	CAP	1					
5	H349015068	BACK-UP RİNG	BACK-UP RING	2					
6	H349015069	O-RİNG	O-RING	1					
7	H349015119	ÇEK	CHECK	1					
8	H349015121	YAY	SPRING	1					
9	H349015001	O-RİNG	O-RING	1					
10	H349015087	PISTON	PISTON	2					
11	H349015073	TAPA	CAP	1					
12	H349015074	PISTON	PISTON	1					
13	H349015123	KOVAN	SLEEVE	1					
14	H349015122	O-RİNG	O-RING	2					
15	H349015072	KOVAN	SLEEVE	1					
16	H349015071	YAY	SPRING	1					
17	H349015070	POPET	POPPET	1					
18	H349015120	YAY	SPRING	2					
19	H209015012	TAPA	CAP	1					
20	H349015066	O-RİNG	O-RING	1					
21	H209015013	ÇEK	CHECK	1					
22	H349015027	O-RİNG	O-RING	4					
23	H209015014	GÖVDE	HOUSING	1					
24	H209015015	SÜRGÜ KOMPLESİ, T7	PLUNGER T7 AS	1					SW
25	H209015016	SÜRGÜ KOMPLESİ, Z	PLUNGER Z AS	1					TRV
26	H209015017	SÜRGÜ KOMPLESİ, A20	PLUNGER A20 AS	1					ARM
27	H209015018	SÜRGÜ KOMPLESİ, D5	PLUNGER D5 AS	1					OPT
28	H209015019	SÜRGÜ KAPAĞI	COVER	4					
29	H209015020	CIVATA	BOLT	16					M8x25
30	H349015004	TAPA	CAP	3					
31	H349015003	O-RİNG	O-RING	4					
32	H209015021	TAPA	CAP	1					
33	H209015022	SOMUN	NUT	4					
34	H209015023	YAY KILAVUZU	SPRING GUIDE	4					
35	H209015024	O-RİNG	O-RING	1					
36	H209015025	YAY	SPRING	1					
37	H209015026	SÜRGÜ	SPOOL	1					
38	H209015027	O-RİNG	O-RING	4					
39	H209015028	SAC, TUTUCU	RETAINER	4					
40	H209015029	TAPA	CAP	1					
41	H209015030	ÇEK	CHECK	1					
42	H209015031	ÇEK	CHECK	1					
43	H349015036	YAY	SPRING	3					
44	H209015032	TAPA	CAP	3					
45	H349015035	NAYLON YONGA	NYLON CHIP	3					
46	H209015033	ÇEK	CHECK	2					
47	H349015077	ÇEK	CHECK	2					
48	H209015034	TAPA	CAP	1					
49	H349015081	O-RİNG	O-RING	3					

### ANA KUMANDA VALFİ (3) MAIN CONTROL VALVE (3)

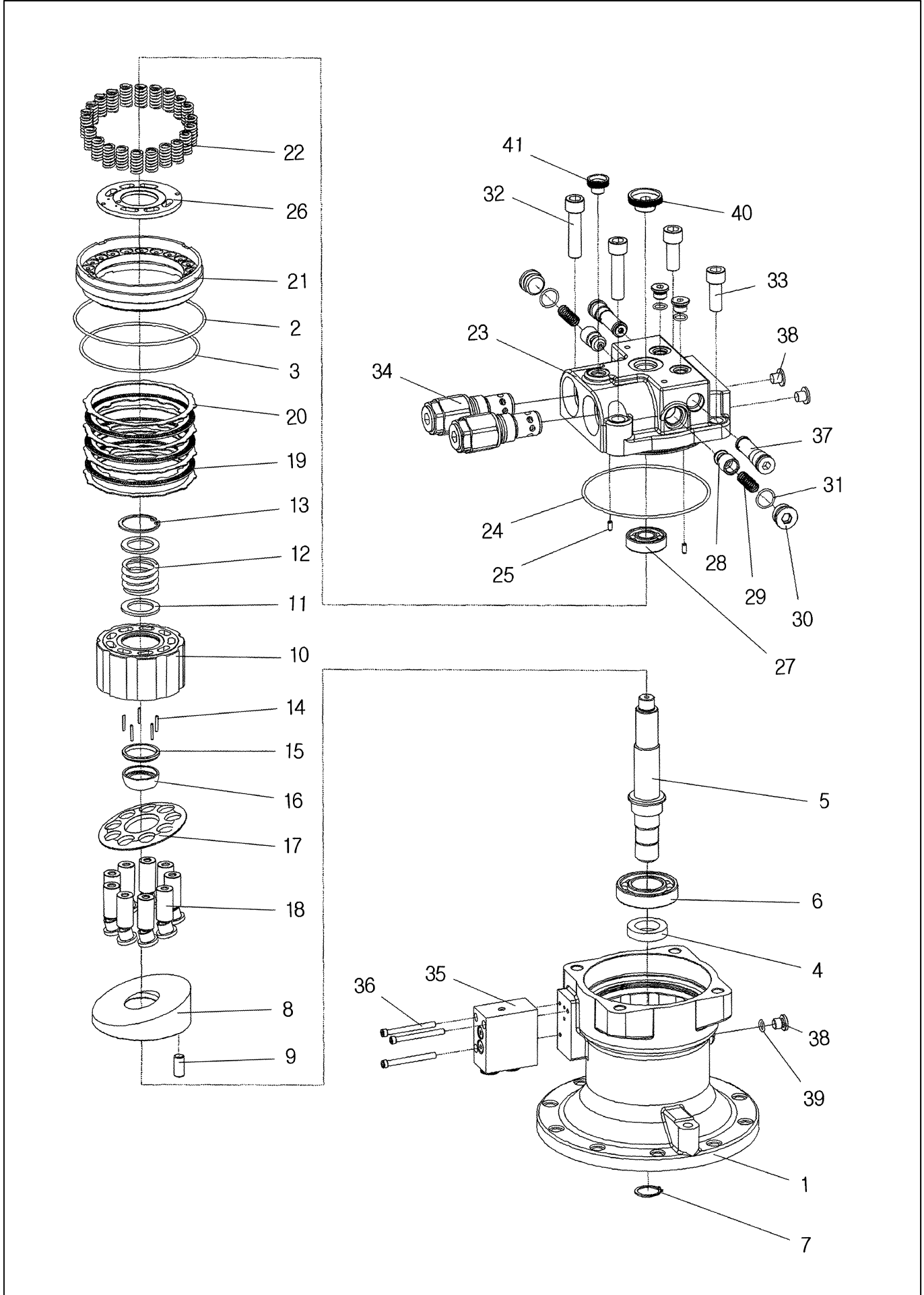




**ANA KUMANDA VALFİ (3)**  
**MAIN CONTROL VALVE (3)**

No	Parça No	Parça Adı		Adet	S.K.	Bas.S.N	Bit.S.N	Y.K.	Not
No	Part no	Description		Qty	SC	S/N from	S/N to	ICA	Note
50	H209015035	TAPA	CAP	1					
51	H209015036	PISTON	PISTON	1					
52	H209015037	YAY	SPRING	1					
53	H209015038	KOVAN	SLEEVE	1					
54	H209015039	SÜRGÜ	SPOOL	1					
55	H349015210	YAY	SPRING	1					
56	H209015040	ÇEK	CHECK	1					
57	H209015041	POPET	POPPET	1					
58	H209015042	KOVAN	SLEEVE	1					
59	H209015043	YAY	SPRING	1					
60	H209015044	O-RİNG	O-RING	1					
61	H209015045	YAY KILAVUZU	SPRING GUIDE	1					
62	H209015046	KAPAK	COVER CB	1					
63	H209015047	CIVATA	BOLT	4					M10x45
64	H209015048	TAPA	CAP	1					
65	H209015049	O-RİNG	O-RING	1					
66	H209015050	YAY	SPRING	1					
67	H209015051	SÜRGÜ	SPOOL	1					
71	H209015053	ANTİŞOK VALFİ	O/L RELIEF AS	2					27.5 Mpa-23L
72	H209015054	ANTİŞOK VALFİ	O/L RELIEF AS	9					37.2 Mpa-23L
73	H209015055	BACK-UP RİNG	BACK-UP RING	11					
74	H209015056	O-RİNG	O-RING	11					

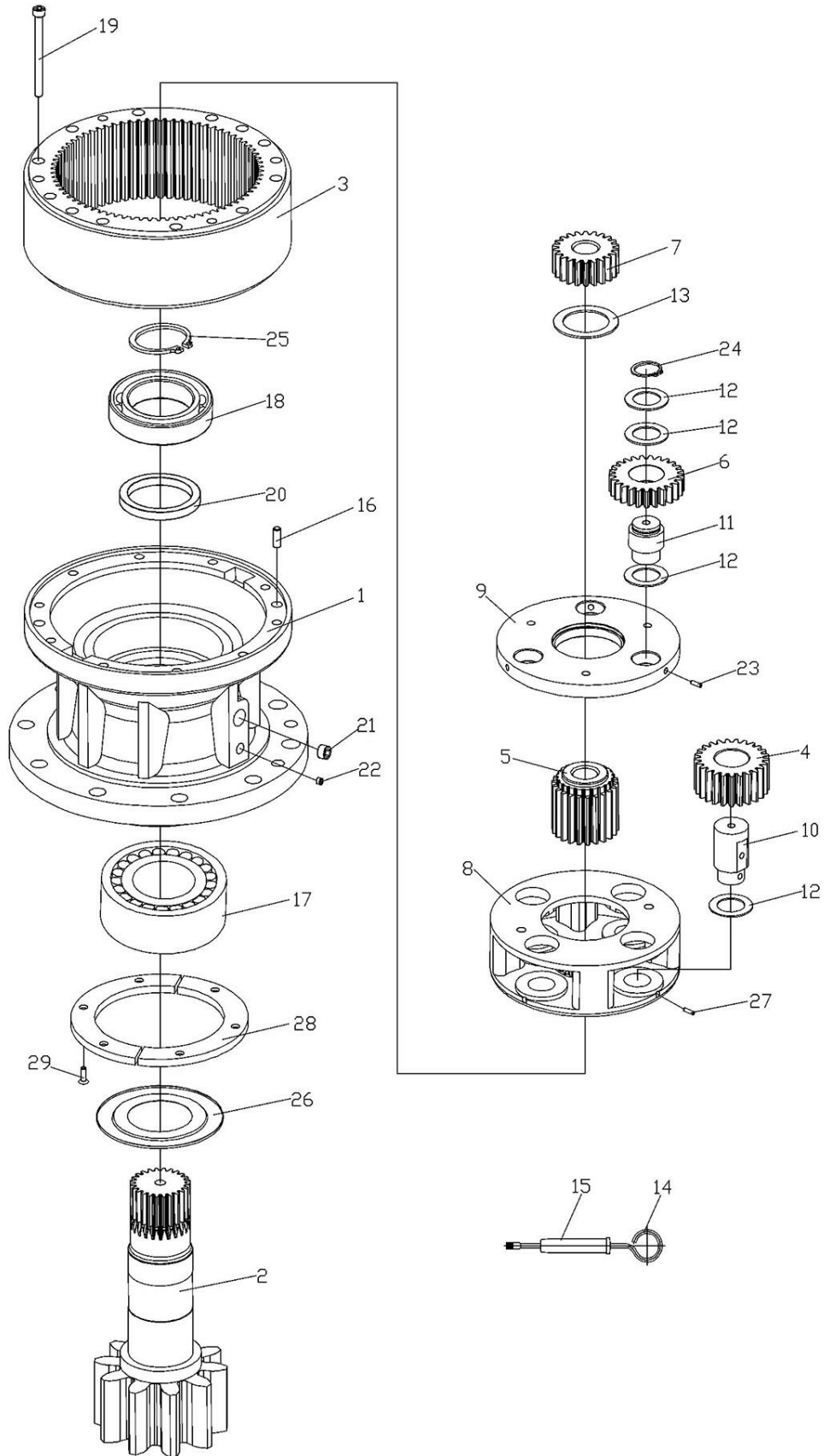
**KULE DÖNÜŞ ÜNİTESİ, MOTOR**  
**SWING UNIT, MOTOR**



## KULE DÖNÜŞ ÜNİTESİ, MOTOR SWING UNIT, MOTOR

No	Parça No	Parça Adı		Adet	S.K.	Bas.S.N	Bit.S.N	Y.K.	Not
No	Part no	Description		Qty	SC	S/N from	S/N to	ICA	Note
0	H203000600	KULE DÖNÜŞ MOTORU KOMPLESİ	SWING MOTOR ASSY	1					
1	H209021012	GÖVDE	BODY	1					
2	H209021002	O-RİNG	O-RING	1					
3	H209021003	O-RİNG	O-RING	1					
4	H209021004	KEÇE, YAĞ	OIL SEAL	1					
5	H209021013	MİL	SHAFT	1					
6	H209021014	BİLYELİ RULMAN	BALL BEARING	1					
7	H209021015	SEGMAN	SNAP RING	1					
8	H209021016	PABUÇ PLAKASI	SHOE PLATE	1					
9	H209021017	PİM	PIN, SHOE PLATE	1					
10	H209021005	SİLİNDİR BLOK, KULE MOTORU	CYLINDER BLOCK	1					
11	H209021018	PUL	WASHER	2					
12	H209021019	YAY	SPRING	1					
13	H209021020	SEGMAN	SNAP RING	1					
14	H209021021	PİM	PIN	5					
15	H209021022	ARA PARÇA	SPACER	1					
16	H209021023	BİLEZİK	SPHERICAL BUSH	1					
17	H209021006	TUTUCU PLAKA	PUSH PLATE	1					
18	H209021007	PISTON KOMPLESİ	PISTON ASS'Y	9					
19	H209021008	KAVRAMA BALATASI	FRICITION PLATE	3					
20	H209021009	AYIRICI PLAKA	SEPARATE PLATE	4					
21	H209021026	FREN PİSTONU	BRAKE PISTON	1					
22	H209021027	YAY	SPRING	22					
23	H209021028	GÖVDE, ARKA	REAR CASING	1					
24	H209021010	O-RİNG	O-RING	1					
25	H209021029	PİM	SPRING PIN	2					
26	H209021030	VALF PLAKASI	VALVE PLATE	1					
27	H209021031	BİLYELİ RULMAN	BALL BEARING	1					
28	H209021032	POPET	POPPET	2					
29	H209021033	YAY	SPRING	2					
30	H209021034	TAPA	PLUG	2					
31	H209021035	O-RİNG	O-RING	2					
32	H209021036	CIVATA	BOLT	2					
33	H209021037	CIVATA	BOLT	2					
34	H209021011	EMNİYET VALFİ	RELIEF VALVE	2					
35	H209021038	ZAMAN GECİKTİRİCİ VALF	TIME DELAY V/V ASSY	1					
36	H209021039	CIVATA	BOLT	3					
37	H209021001	ANTIŞOK VALFİ	S/R VALVE ASS'Y	2					
38	H209021040	TAPA	PLUG	3					
39	H209021041	O-RİNG	O-RING	3					
40	H209021042	TAPA	PLUG	3					
41	H209021044	TAPA	PLUG	1					

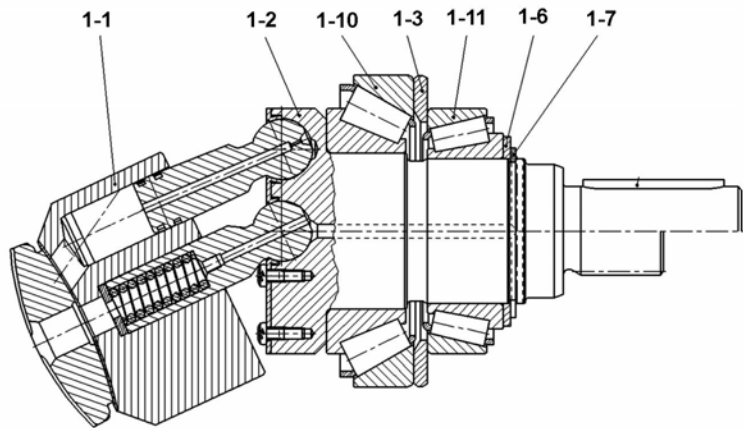
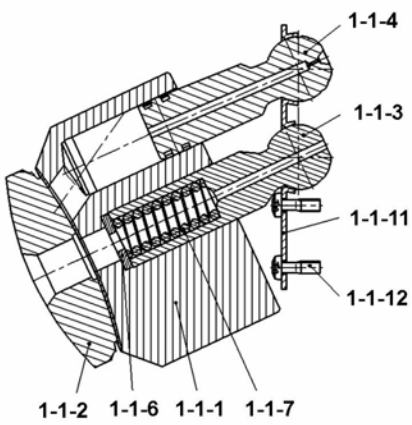
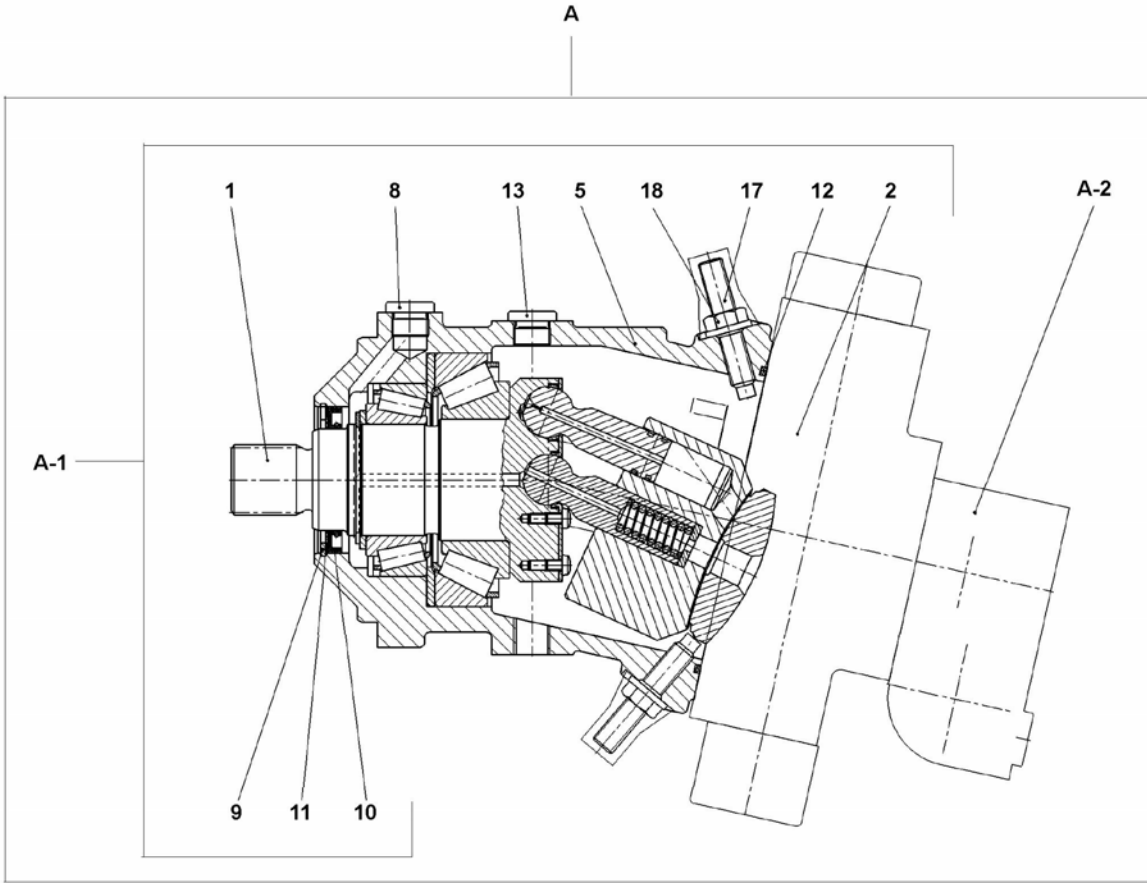
### KULE DÖNÜŞ ÜNİTESİ, DİŞLİ KUTUSU SWING UNIT, REDUCTION GEAR



**KULE DÖNÜŞ ÜNİTESİ, DİŞLİ KUTUSU**  
**SWING UNIT, REDUCTION GEAR**

No	Parça No	Parça Adı		Adet	S.K.	Bas.S.N	Bit.S.N	Y.K.	Not
No	Part no	Description		Qty	SC	S/N from	S/N to	ICA	Note
0	H203000700	KULE DÖNÜŞ REDÜKTÖRÜ KOMPLESİ	REDUCTION GEAR ASSY	1					
1	H209021054	GÖVDE, KULE REDÜKTÖRÜ	CASING	1					
2	H209021055	TAHRİK MİLİ	DRIVE SHAFT	1					
3	H209021056A	YÖRÜNGE DİŞLİ	RING GEAR	1					
4	H209021057A	PLANET DİŞLİ, No.2	PLANET GEAR No.2	4					
5	H209021058A	GÜNEŞ DİŞLİ, No.2	SUN GEAR No.2	1					
6	H209021059A	PLANET DİŞLİ, No.1	PLANET GEAR No.1	3					
7	H209021060A	GÜNEŞ DİŞLİ, No.1	SUN GEAR No.1	1					
8	H209021061	PLANET TAŞIYICI, No.2	CARRIER No.2	1					
9	H209021062A	PLANET TAŞIYICI, No.1	CARRIER No.1	1					
10	H209021063	PİM KOMPLESİ, No.2	PIN No.2 ASSY	4					
11	H209021064	PİM KOMPLESİ, No.1	PIN No.1 ASSY	3					
12	H209021065	BASKI PULU(B)	THRUST WASHER(B)	13					
13	H209021066	BASKI PULU(A)	THRUST WASHER(A)	1					
14	H209021067	YAĞ SEVİYE ÇUBUĞU	DIPSTICK, OIL LEVEL	1					
15	H209021068	BORU KOMPLESİ	PIPE, LEVEL GAUGE	1					
16	H209021069	PİM	KNOCK PIN	2					
17	H209021070	RULMAN	SPH. ROLLER BEARING	1					
18	H209021071	RULMAN	BEARING, CYLINDRICAL ROLLER	1					
19	H209021072	CIVATA	BOLT	10					
20	H209021073	KEÇE, YAĞ	OIL SEAL	1					
21	H209021074	TAPA	PLUG(B)	1					
22	H209021075	TAPA	PLUG(A)	2					
23	H209021076	PİM	PIN SPRING	3					
24	H209021077	SEGMAN	RING RETAINER	4					
25	H209021078	SEGMAN	RING RETAINER	1					
26	H209021079	KEÇE	NILOS RING	1					
27	H209021080	PİM	PIN SPRING	4					
28	H209021081	DESTEK PLAKASI	PLATE, SUPPORT	2					
29	H209021082	CIVATA	SCREW BOLT	6					

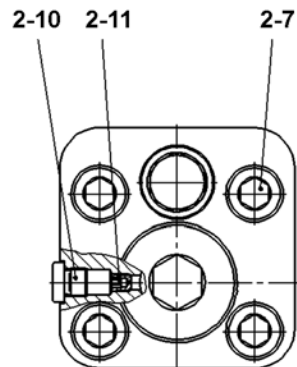
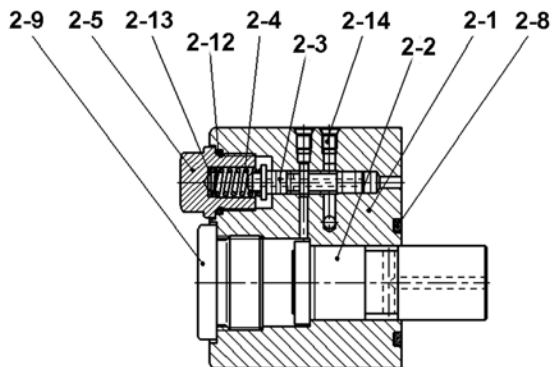
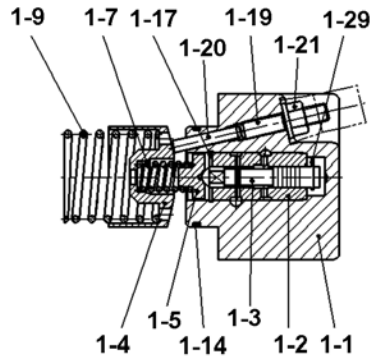
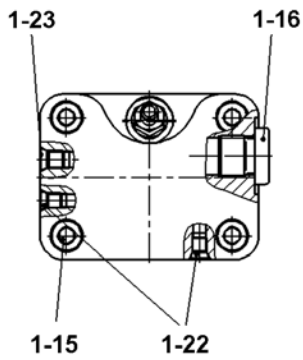
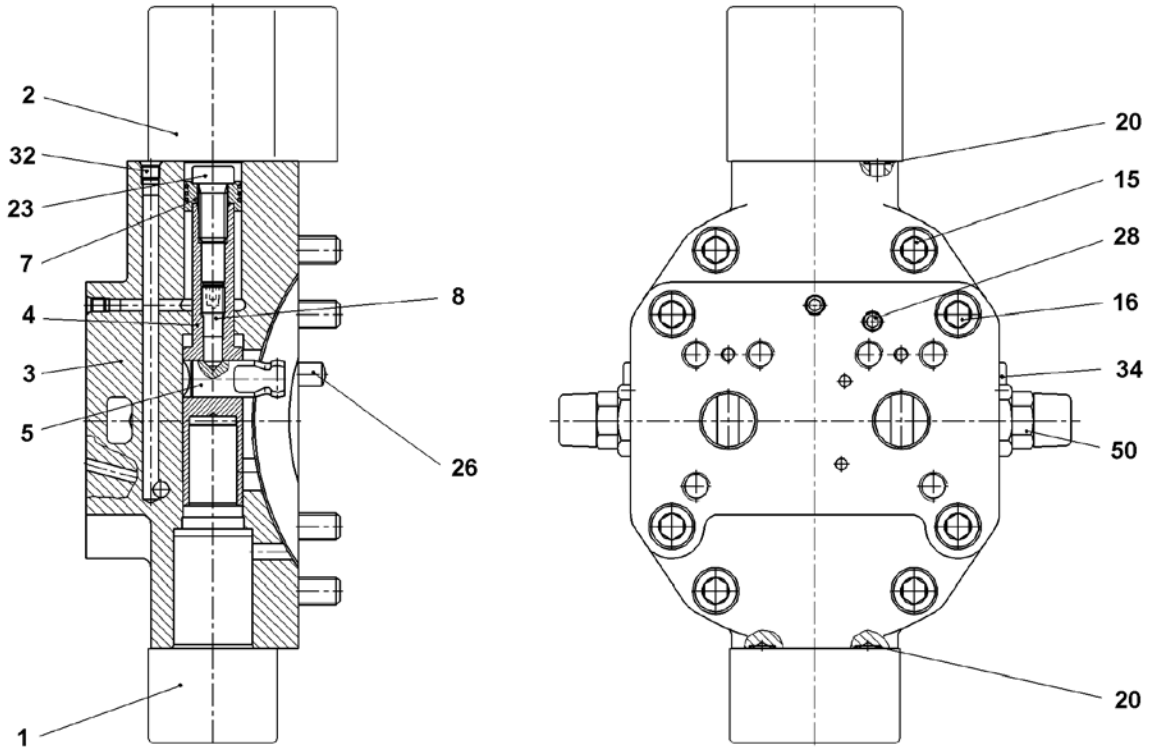
# YÜRÜYÜŞ MOTORU (1) TRAVEL MOTOR (1)



## YÜRÜYÜŞ MOTORU (1) TRAVEL MOTOR (1)

No	Parça No	Parça Adı		Adet	S.K.	Bas.S.N	Bit.S.N	Y.K.	Not
No	Part no	Description		Qty	SC	S/N from	S/N to	ICA	Note
0	H203104100	YÜRÜYÜŞ MOTORU KOMPLESİ	TRAVEL MOTOR ASS'Y	1					
A	H209028020	MOTOR GRUBU VE KARŞI DENGİ VALFİ	MOTOR, VARIABLE DISP. AND C. BALANCE V/V	1					
A-1	H209028021	MOTOR GRUBU	MOTOR, VARIABLE DISP.	1					
A-2	H209028022	KARŞI DENGİ VALFİ	COUNTER BALANCE V/V	1					
1	H209028001	DÖNER GRUP	ROTARY GROUP	1					
1-1	H209028027	HİDROLİK KISIM	HYDRAULIC SECTION	1					
1-1-1	H209028005	SİLİNDİR	CYLINDER	1					
1-1-2	H209028006	KONTROL LENSİ	CONTROL LENS	1					
1-1-3	H209028007	MERKEZ PİMİ	CENTER PIN	1					
1-1-4	H209028008	PİSTON (SEGMAN DAHİL)	PISTON WITH PISTON RINGS	7					
1-1-6	H209028039	ŞİM	ADJUSTMENT SHIM	1					
1-1-6	H209028040	ŞİM	ADJUSTMENT SHIM	1					
1-1-6	H209028041	ŞİM	ADJUSTMENT SHIM	1					
1-1-6	H209028042	ŞİM	ADJUSTMENT SHIM	1					
1-1-6	H209028043	ŞİM	ADJUSTMENT SHIM	1					
1-1-6	H209028044	ŞİM	ADJUSTMENT SHIM	1					
1-1-7	H209028045	YAY	PRESSURE SPRING	1					
1-1-11	H209028009	TUTUCU PLAKA	RETAINING PLATE	1					
1-1-12	H209028010	CIVATA	SCREW, COUNTERSUNK	14					
1-2	H209028002	TAHRİK MİLİ	DRIVE SHAFT	1					
1-3	H209028028	ŞİM	SHIM	1					
1-6	H209028029	DESTEK PLAKA	BACK-UP PLATE	1					
1-6	H209028030	DESTEK PLAKA	BACK-UP PLATE	1					
1-6	H209028031	DESTEK PLAKA	BACK-UP PLATE	1					
1-6	H209028032	DESTEK PLAKA	BACK-UP PLATE	1					
1-6	H209028033	DESTEK PLAKA	BACK-UP PLATE	1					
1-6	H209028034	DESTEK PLAKA	BACK-UP PLATE	1					
1-6	H209028035	DESTEK PLAKA	BACK-UP PLATE	1					
1-6	H209028036	DESTEK PLAKA	BACK-UP PLATE	1					
1-6	H209028037	DESTEK PLAKA	BACK-UP PLATE	1					
1-7	H209028038	SEGMAN	RETAINING RING	1					
1-10	H209028003	KONİK RULMAN	TAPERED ROLLER BEARING	1					
1-11	H209028004	KONİK RULMAN	TAPERED ROLLER BEARING	1					
2	H209028023	KONTROL GRUBU	CONTROL	1					
5	H209028024	GÖVDE	HOUSING	1					
8	H239028294	KÖR TAPA	LOCKING SCREW	1					
9	H239028207	SEGMAN	RETAINING RING	1					
10	H239028208	KEÇE, ŞAFT	SHAFT SEAL RING	1					
11	H239028209	DESTEK PLAKA	BACK-UP PLATE	1					
12	H209028025	O-RİNG	O-RING	1					
13	H239028294	KÖR TAPA	LOCKING SCREW	1					
17	H239028212	DİŞLİ PİM GRUBU	THREADED PIN GROUP	2					
18	H239028220	SOMUN	SEAL LOCK NUT	2					

### YÜRÜYÜŞ MOTORU (2) TRAVEL MOTOR (2)

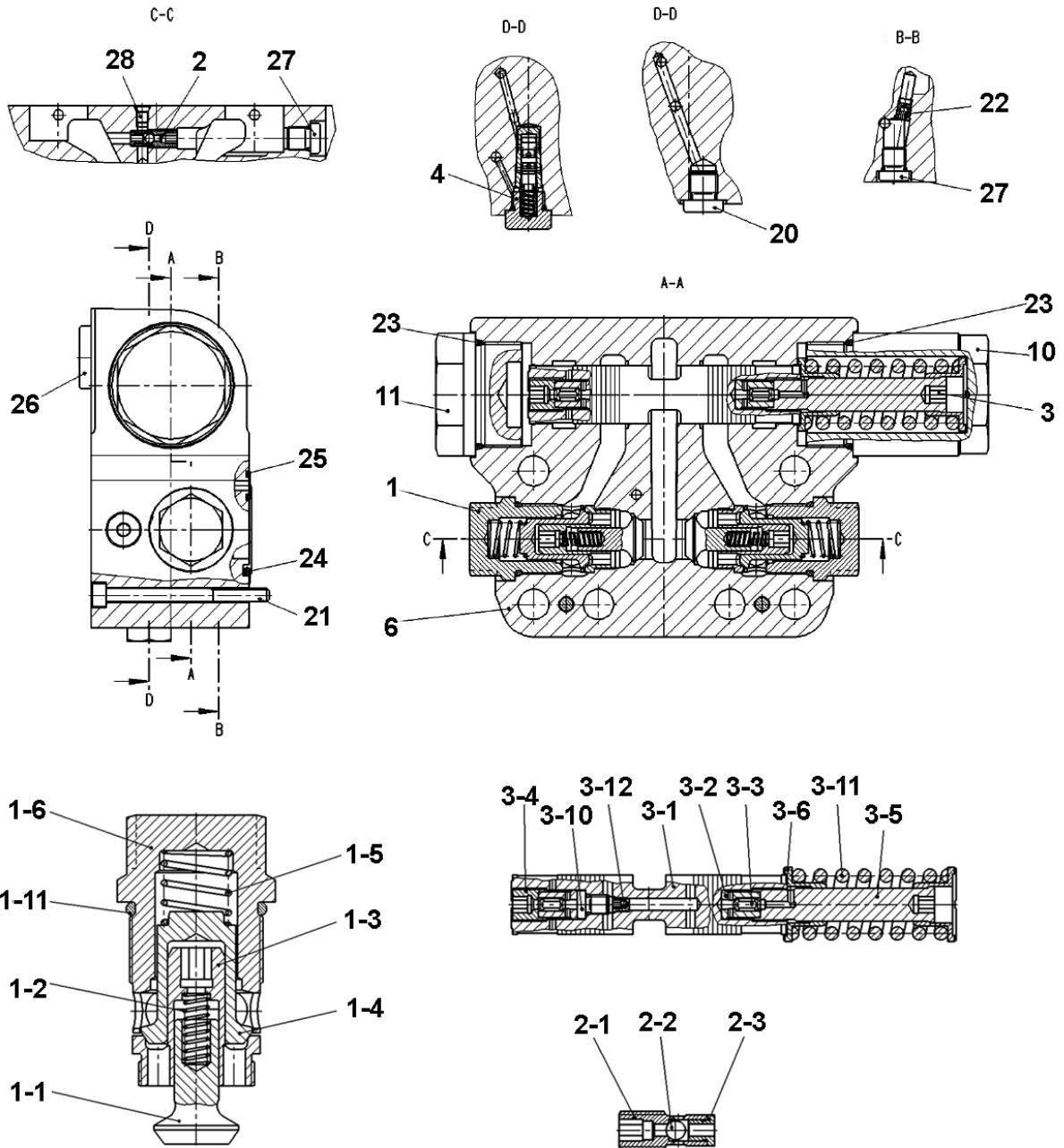




## YÜRÜYÜŞ MOTORU (2) TRAVEL MOTOR (2)

No	Parça No	Parça Adı	Adet	S.K.	Bas.S.N	Bit.S.N	Y.K.	Not
No	Part no	Description	Qty	SC	S/N from	S/N to	ICA	Note
1	H239028249	KONTROL PARÇALARI	1					
1-1	H239028250	GÖVDE	1					
1-2	H239028251	BURÇ	1					
1-3	H239028252	PİSTON	1					
1-4	H239028253	AYAR BURCU	1					
1-5	H239028254	YAY KILAVUZU	1					
1-7	H239028255	YAY	1					
1-9	H239028256	YAY	1					
1-14	H239028257	O-RİNG	1					
1-15	H239028258	CIVATA	4					
1-16	H239028259	KÖR TAPA	1					
1-17	H239028260	SEGMAN	1					
1-19	H239028261	DİŞLİ PİM	1					
1-20	H239028262	PİM	1					
1-21	H239028263	SOMUN	1					
1-22	H239028264	AYIRICI PİM	1					
1-23	H239028265	AYIRICI PİM	1					
1-29	H239028266	TUTUCU DİSK	1					
2	H209028046	STROK KISITLAYICI	1					
2-1	H209028047	GÖVDE	1					
2-2	H209028048	PİSTON	1					
2-3	H239028270	PİSTON	1					
2-4	H239028271	YAY	1					
2-5	H239028272	KÖR TAPA	1					
2-7	H209028049	CIVATA	4					
2-8	H209028050	O-RİNG	1					
2-9	H239028275	KÖR TAPA	1					
2-10	H239028276	KÖR TAPA	2					
2-11	H239028277	KISICI	1					
2-12	H239028278	O-RİNG	1					
2-13	H239028279	ŞİM	1					
2-14	H239028264	AYIRICI PİM	2					
3	H209028051	PORT PLAKASI	1					
4	H209028013	KONUMLANDIRMA PİSTONU	1					
5	H209028052	KONUMLANDIRMA MUYLUSU	1					
7	H209028014	PİSTON (SEGMAN DAHİL)	1					
8	H209028015	DİŞLİ PİM	1					
15	H209028053	CIVATA	4					
16	H209028054	CIVATA	4					
20	H239028287	O-RİNG	8					
23	H209028055	CIVATA	1					
26	H209028056	PİM	2					
28	H239028292	AYIRICI PİM	1					
32	H239028265	AYIRICI PİM	1					
34	H239028294	KÖR TAPA	2					
50	H239028295A	EMNİYET VALFİ	2					

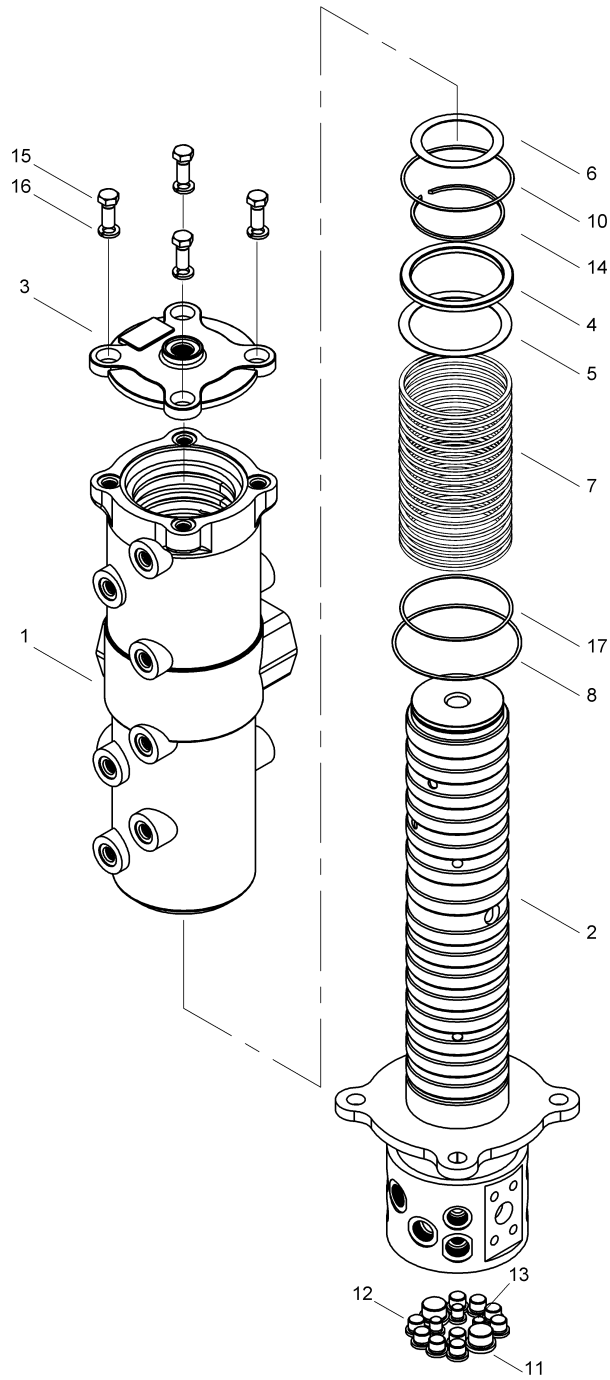
**YÜRÜYÜŞ MOTORU (3)**  
**TRAVEL MOTOR (3)**



**YÜRÜYÜŞ MOTORU (3)**  
**TRAVEL MOTOR (3)**

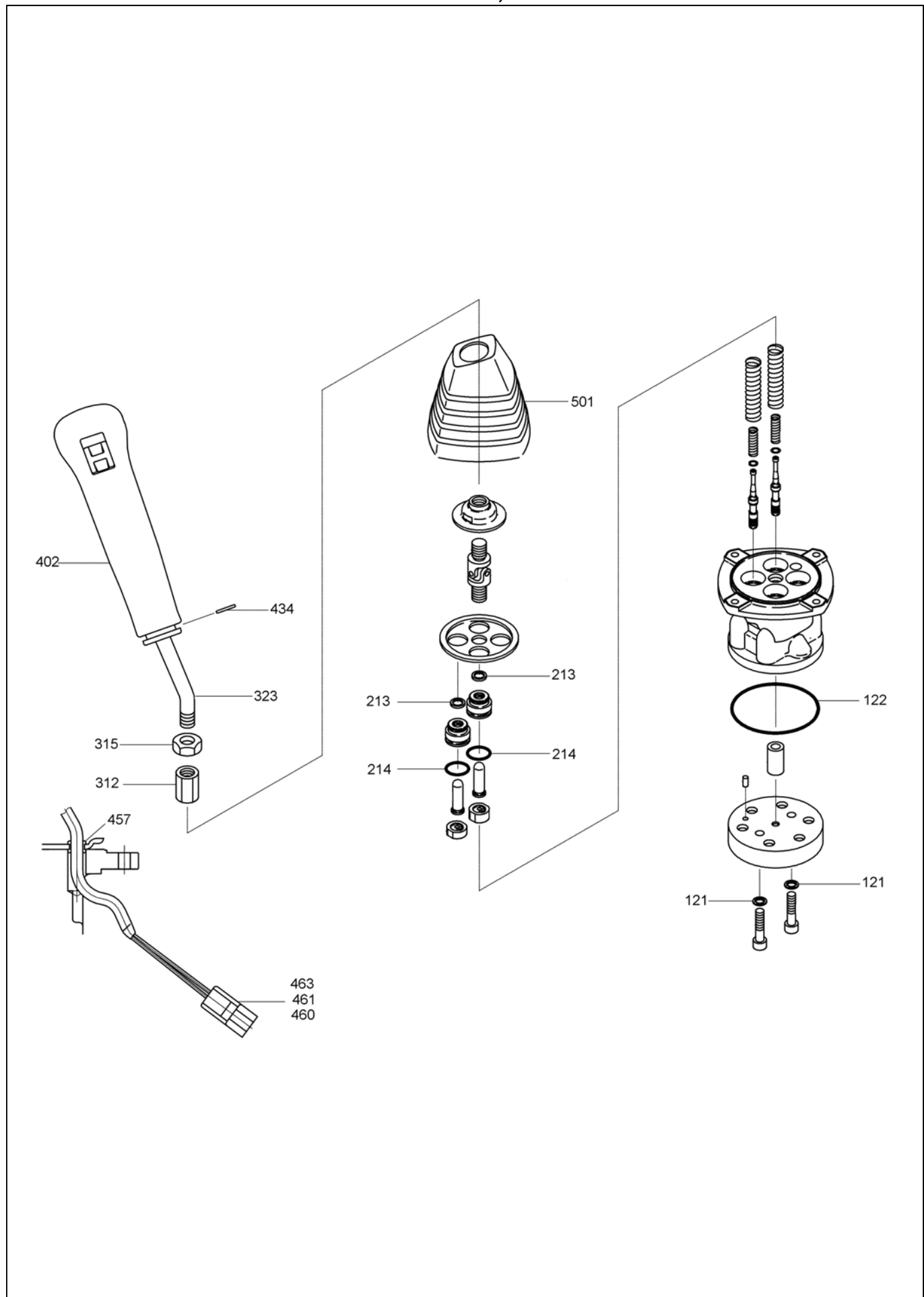
No	Parça No	Parça Adı		Adet	S.K.	Bas.S.N	Bit.S.N	Y.K.	Not
No	Part no	Description		Qty	SC	S/N from	S/N to	ICA	Note
1	H209028016	VALF	VALVE	2					
1-1	H209028057	POPET	VALVE POPPET	1					
1-2	H209028058	YAY	PRESSURE SPRING	1					
1-3	H209028059	POPET YUVASI	POPPET SEAT	1					
1-4	H209028060	POPET	VALVE POPPET	1					
1-5	H209028061	YAY	PRESSURE SPRING	1					
1-6	H209028062	KÖR TAPA	LOCKING SCREW	1					
1-11	H209028063	O-RİNG	O-RİNG	1					
2	H239028304	VEYA VALFİ	SHUTTLE VALVE	1					
2-1	H239028305	CIVATA	VALVE SCREW	1					
2-2	H239028306	BİLYE	BALL	1					
2-3	H239028307	BURÇ	BUSHING	1					
3	H209028017	FREN VALFİ	BRAKE VALVE	1					
3-1	H209028064	PİSTON, FREN	BRAKE PISTON	1					
3-2	H239028310	BURÇ	VALVE BUSHING	2					
3-3	H239028311	PİM	THROTTLE PIN	2					
3-4	H239028312	CIVATA	BOLT	1					
3-5	H209028065	CIVATA	BOLT	1					
3-6	H209028066	YAY KILAVUZU	SPRING COLLAR	2					
3-10	H239028315	KÖR TAPA	LOCKING SCREW	1					
3-11	H209028067	YAY	PRESSURE SPRING	1					
3-12	H209028068	KISICI	ORIFICE	1					
6	H209028069	GÖVDE	HOUSING	1					
10	H209028070	KÖR TAPA	LOCKING SCREW	1					
11	H209028071	KÖR TAPA	LOCKING SCREW	1					
20	H239028321	KÖR TAPA	LOCKING SCREW	1					
21	H209028072	CIVATA	BOLT	2					
22	H239028323	TAPA	PLUG	1					
23	H209028073	O-RİNG	O-RİNG	2					
24	H209028050	O-RİNG	O-RİNG	2					
25	H239028326	O-RİNG	O-RİNG	2					
26	H239028206	KÖR TAPA	LOCKING SCREW	1					
27	H239028328	KÖR TAPA	LOCKING SCREW	2					
28	H239028264	AYIRICI PİM	DOUBLE BREAK OFF PIN	1					
K	H209028098	TAMİR TAKIMI	SEAL KIT, COMPLETE	1					

### DÖNER DAĞITICI TURNING JOINT



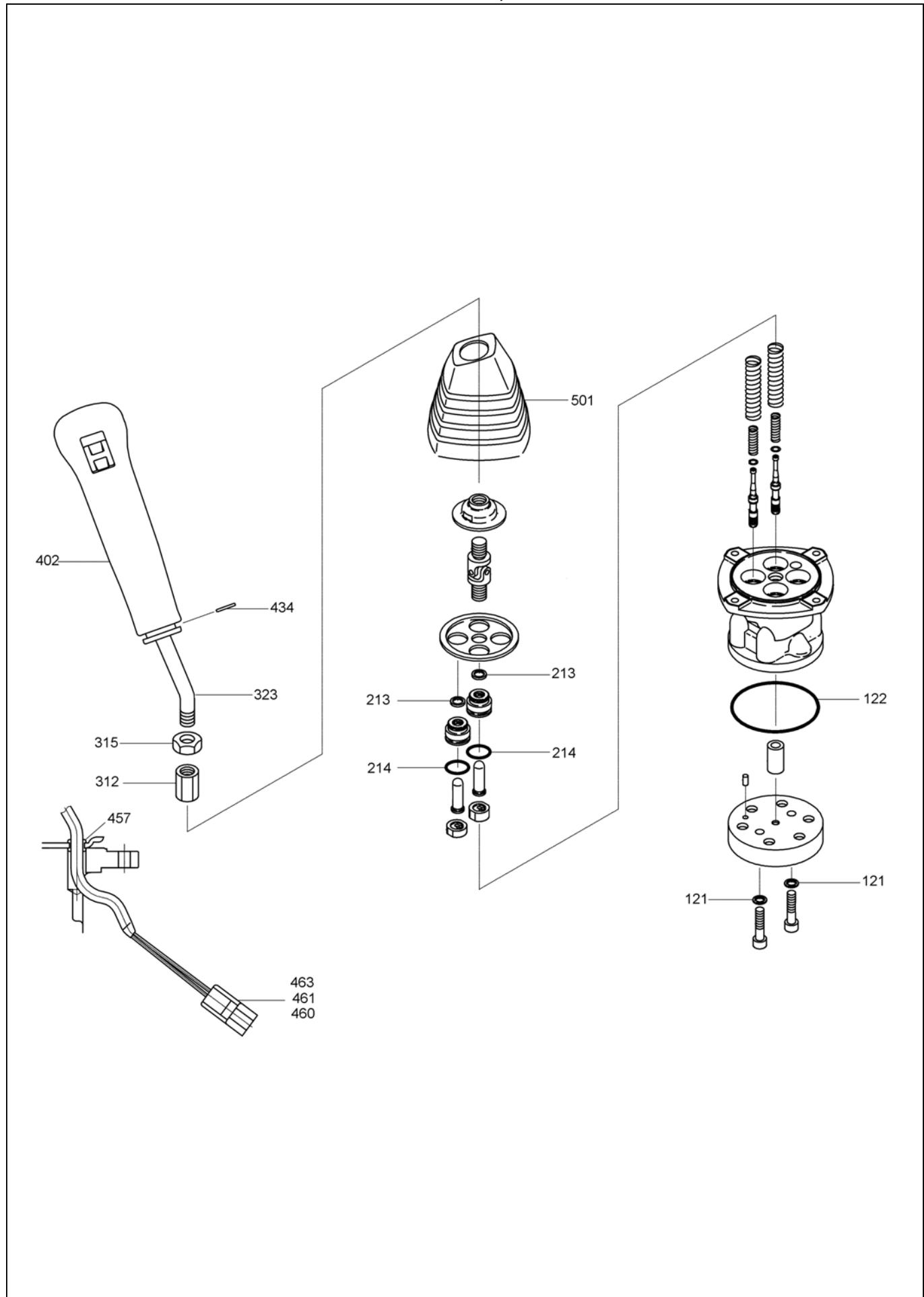
**DÖNER DAĞITICI  
TURNING JOINT**

No	Parça No	Parça Adı		Adet	S.K.	Bas.S.N	Bit.S.N	Y.K.	Not
No	Part no		Description	Qty	SC	S/N from	S/N to	ICA	Note
0	H233141101	DÖNER DAĞITICI KOMPLESİ	TURNING JOINT ASS'Y	1					
1	H239030001	GÖVDE	HUB	1					
2	H239030002	ŞAFT KOMPLESİ	SHAFT ASS'Y	1					
3	H239030003	KAPAK	COVER	1					
4	H239030004	MESAFE BİLEZİĞİ	SPACER	1					
5	H239030005	ŞİM	SHIM	1					
6	H239030006	ŞİM	SHIM	1					
7	H239030007	KEÇE	SEAL, SLIPPER	16					
8	H239030008	O-RİNG	O-RING	1					
10	H239030010	O-RİNG	O-RING	1					
11	H239030011	TAPA	PLUG-PT	2					
12	H239030012	TAPA	PLUG-PT	9					
13	H239030013	TAPA	PLUG-PT	7					
14	H239030014	SEGMAN	RETAINER RING	1					
15	H239030015	CIVATA	BOLT	4					
16	H239030016	YAYLI RONDELA	SPRING WASHER	4					
17	H239030017	TOZ KEÇESİ	SEAL DUST	1					

JOYSTİK, SAĞ  
JOYSTICK, RH

**JOYSTİK, SAĞ**  
**JOYSTICK, RH**

No	Parça No	Parça Adı		Adet	S.K.	Bas.S.N	Bit.S.N	Y.K.	Not
No	Part no	Description		Qty	SC	S/N from	S/N to	ICA	Note
0	H233205100	JOYSTİK KOMPLESİ, SAĞ	JOYSTICK ASSY, RH	1					
121	H239042100	PUL	WASHER, SEAT	2	K1				
122	H239042101	O-RİNG	O-RING	1	K1				
213	H239042102	KEÇE	SEAL	4	K1				
214	H239042103	O-RİNG	O-RING	4	K1				
315	H349042026	SOMUN	NUT	1					
323	H239042104	KOL	LEVER	1					
402	H239042105	TOPUZ	HANDLE	1	K2				
434	H239042106	PİM	PIN, SPRING	1					
457	H239042107	BURÇ	BUSHING	1	K1				
460	H239042108	GÖVDE	HOUSING	1	K2				
461	H239042109	KİLİT SACI	DOUBLE LOCK PLATE	1	K2				
463	H239042110	TAPA	CAVITY PLUG	2	K2				
501	H239042111	KÖRÜK	BELLOWS	1					
K1	H239042112	KEÇE TAKIMI	SEAL KIT	1					
K2	H239042113	TOPUZ KOMPLESİ, JOYSTİK	HANDLE ASS'Y, JOYSTICK	1					

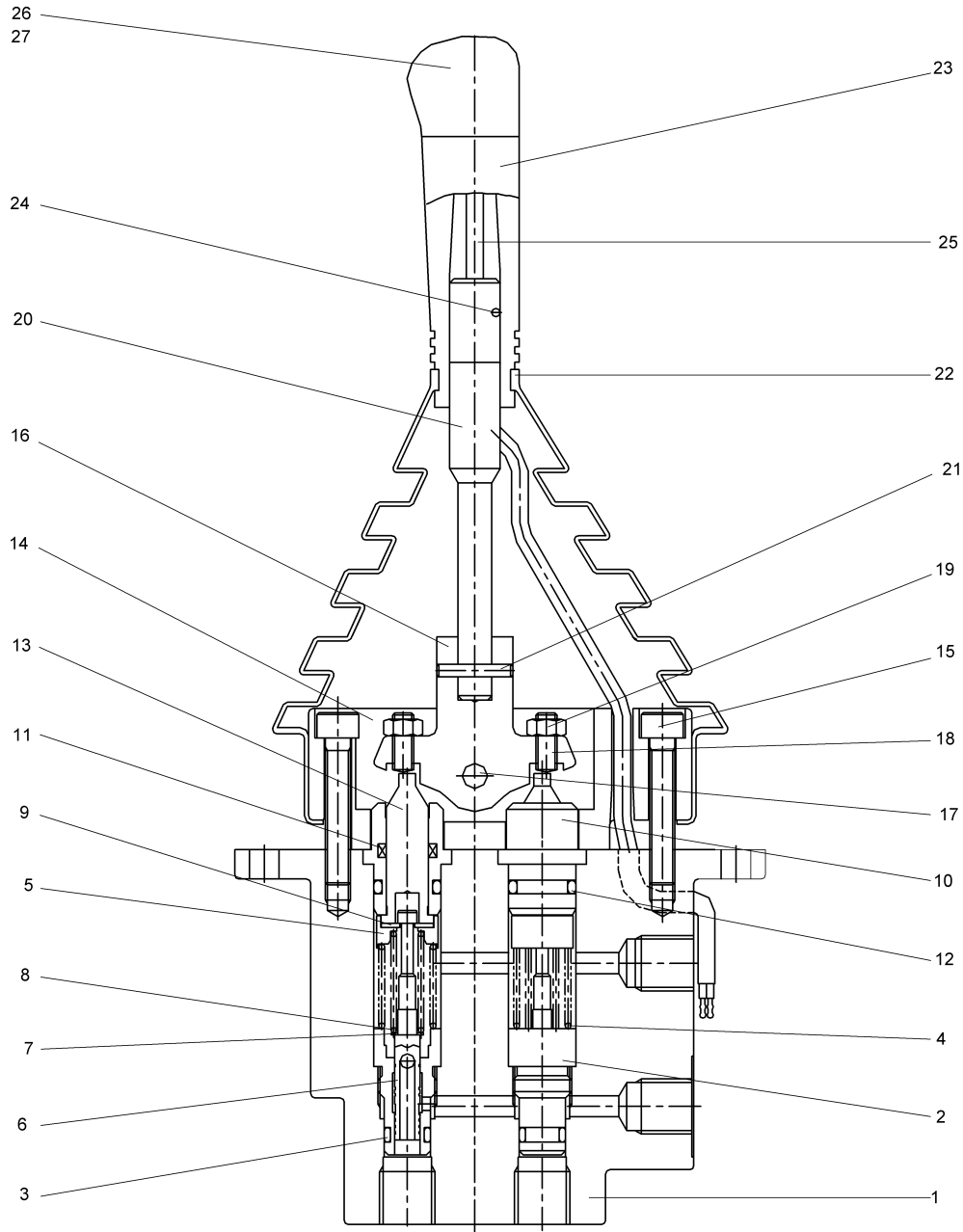
JOYSTIK, SOL  
JOYSTICK, LH



**JOYSTİK, SOL  
JOYSTICK, LH**

No	Parça No	Parça Adı		Adet	S.K.	Bas.S.N	Bit.S.N	Y.K.	Not
No	Part no	Description		Qty	SC	S/N from	S/N to	ICA	Note
0	H233205200	JOYSTİK KOMPLESİ, SOL	JOYSTICK ASSY, LH	1					
121	H239042100	PUL	WASHER, SEAT	2	K1				
122	H239042101	O-RİNG	O-RING	1	K1				
213	H239042102	KEÇE	SEAL	4	K1				
214	H239042103	O-RİNG	O-RING	4	K1				
315	H349042026	SOMUN	NUT	1					
323	H239042104	KOL	LEVER	1					
402	H239042105	TOPUZ	HANDLE	1	K2				
434	H239042106	PİM	PIN, SPRING	1					
457	H239042107	BURÇ	BUSHING	1	K1				
460	H239042108	GÖVDE	HOUSING	1	K2				
461	H239042109	KİLİT SACI	DOUBLE LOCK PLATE	1	K2				
463	H239042110	TAPA	CAVITY PLUG	2	K2				
501	H239042111	KÖRÜK	BELLOWS	1					
K1	H239042112	KEÇE TAKIMI	SEAL KIT	1					
K2	H239042113	TOPUZ KOMPLESİ, JOYSTİK	HANDLE ASS'Y, JOYSTICK	1					

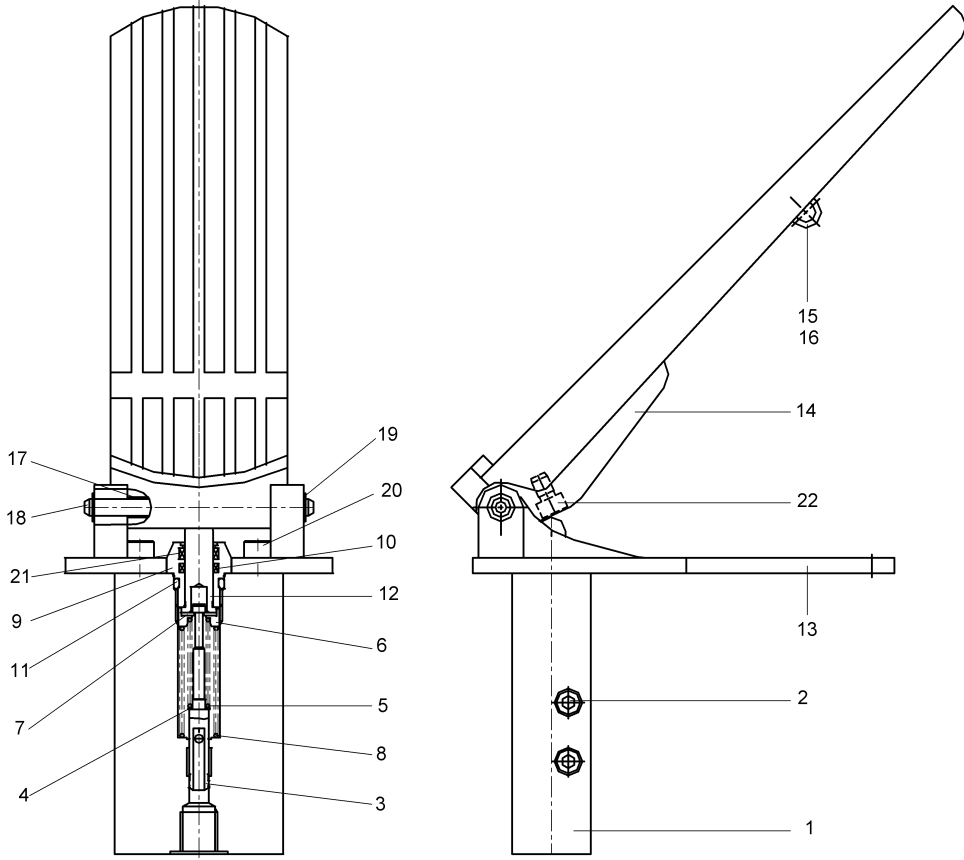
**JOYSTİK, DOZER VE AYAK (OP)**  
**JOYSTICK, DOZER & OUTRIGGER (OP)**



**JOYSTİK, DOZER VE AYAK (OP)**  
**JOYSTICK, DOZER & OUTRIGGER (OP)**

No	Parça No	Parça Adı		Adet	S.K.	Bas.S.N	Bit.S.N	Y.K.	Not
No	Part no	Description		Qty	SC	S/N from	S/N to	ICA	Note
0	H233200200	JOYSTİK KOMPLESİ, DOZER-AYAK	JOYSTICK ASSY, DOZER-OUTRIGGER	1					
1	H239042001	GÖVDE	BODY	1					
2	H239042002	TAPA	PLUG	2					
3	H239042003	O-RİNG	O-RING	2	K3				
4	H239042004	YAY	SPRING	2					
5	H239042005	YAY TUTUCU	SPRING SEAT	2	K1				
6	H239042006	SÜRGÜ	SPOOL	2	K1				
7	H239042007	YAY TUTUCU	SPRING SEAT	2	K1				
8	H239042008	YAY	SPRING	2	K1				
9	H239042009	DURDURUCU	STOPPER	2	K1				
10	H239042010	TAPA	PLUG	2	K2				
11	H239042011	KEÇE, İTİCİ PİM	ROD SEAL	2	K2, K				
12	H239042012	O-RİNG	O-RING	2	K2, K				
13	H239042013	İTİCİ PİM	PUSH ROD	2	K2				
14	H239042014	KAPAK	COVER	1					
15	H239042015	CIVATA	BOLT	2					
16	H239042016	KILAVUZ	GUIDE	1					
17	H239042017	PİM	PIN	1					
18	H239042018	CIVATA	BOLT	2					
19	H239042019	SOMUN	NUT	2					
20	H239042020	ÇUBUK	BAR	1					
21	H239042021	PİM	SPRING PIN	1					
22	H239042022	KÖRÜK	BOOT	1					
23	H239042023	LEVYE	LEVER	1					
24	H239042024	PİM	SPRING PIN	1					
25	H239042025	ANAHTAR KOMPLESİ	SWITCH ASSY	1					
26	H239042026	BAŞLIK	CAP	1					
27	H239042027	CIVATA	TAPPING SCREW	1					
K1	H239042028	SÜRGÜ KİTİ	SPOOL KIT	1					
K2	H239042029	TAPA KİTİ	PLUG KIT	1					
K3	H239042030	KEÇE TAKIMI	SEAL KIT	1					

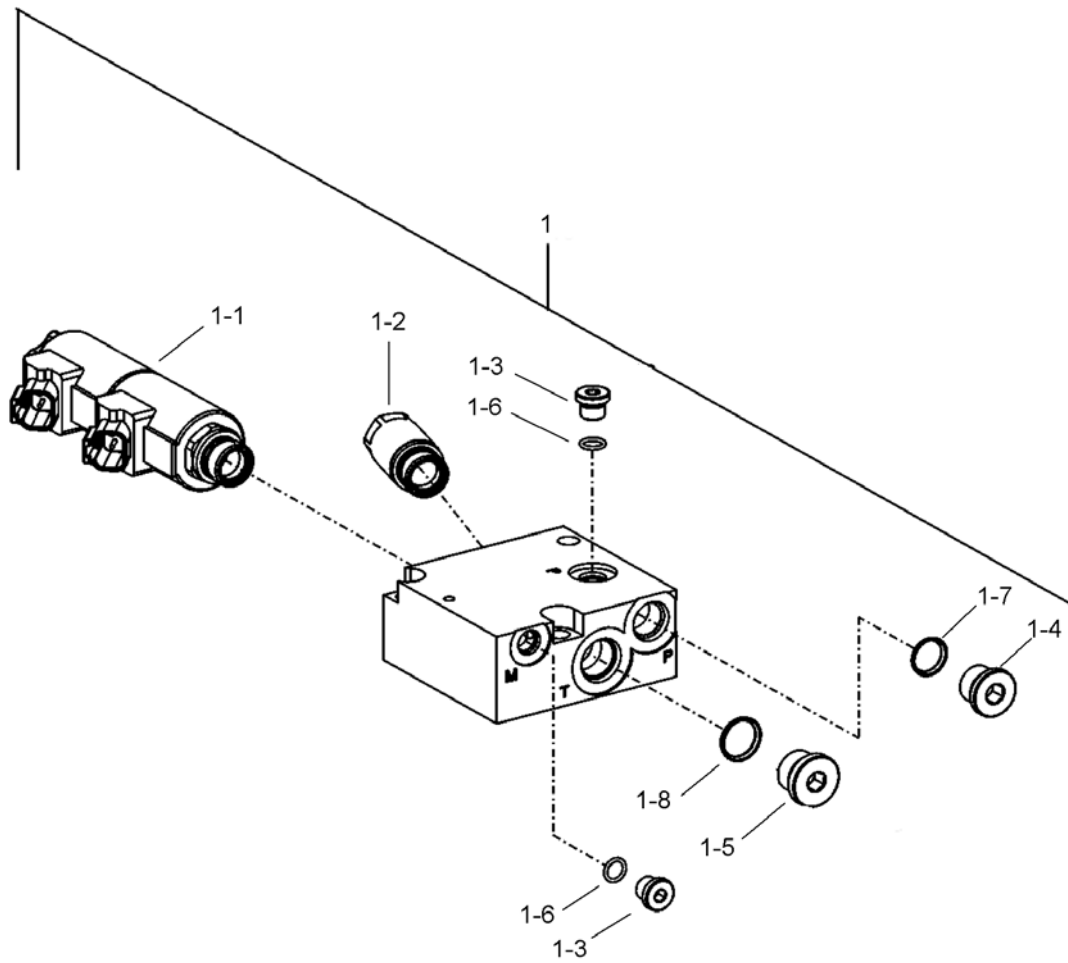
## YÜRÜYÜŞ PEDALI TRAVEL PEDAL



## YÜRÜYÜŞ PEDALI TRAVEL PEDAL

No	Parça No	Parça Adı		Adet	S.K.	Bas.S.N	Bit.S.N	Y.K.	Not
No	Part no	Description		Qty	SC	S/N from	S/N to	ICA	Note
0	H233520300	YÜRÜYÜŞ PEDALI KOMPLESİ	PILOT VALVE ASS'Y	1					
1	H239043001	GÖVDE	BODY	1					
2	H239043002	TAPA	PLUG	2					
3	H239043003	SÜRGÜ	SPOOL	1	K1				
4	H239043004	YAY TUTUCU	SPRING SEAT	1	K1				
5	H239043005	YAY	SPRING	1	K1				
6	H239043006	YAY TUTUCU	SPRING SEAT	1	K1				
7	H239043007	DURDURUCU	STOPPER	1	K1				
8	H239043008	YAY	SPRING	1					
9	H239043009	TAPA	PLUG	1	K2				
10	H239043010	KEÇE	SEAL	1	K2				
11	H239043011	O-RİNG	O-RING	1	K2				
12	H239043012	İTİCİ PİM	PUSH ROD	1	K2				
13	H239043013	PEDAL SACI	PEDAL PLATE	1					
14	H239043014	PEDAL	PEDAL	1	K3				
15	H239043015	KANCA	HOOK	1	K3				
16	H239043016	CIVATA	BOLT	2	K3				
17	H239043017	BURÇ	BUSHING	1	K3				
18	H239043018	KILAVUZ	GUIDE PIN	1					
19	H239043019	SEGMAN	SNAP RING	2					
20	H239043020	CIVATA	BOLT	2					
21	H239043021	TOZ KEÇESİ	SEAL DUST	1	K2				
22	H239043022	PİM	PIN	1	K3				
K1	H239043023	SÜRGÜ KİTİ	SPOOL KIT	1					
K2	H239043024	TAPA KİTİ	PLUG KIT	1					
K3	H239043025	PEDAL KİTİ	PEDAL KIT	1					

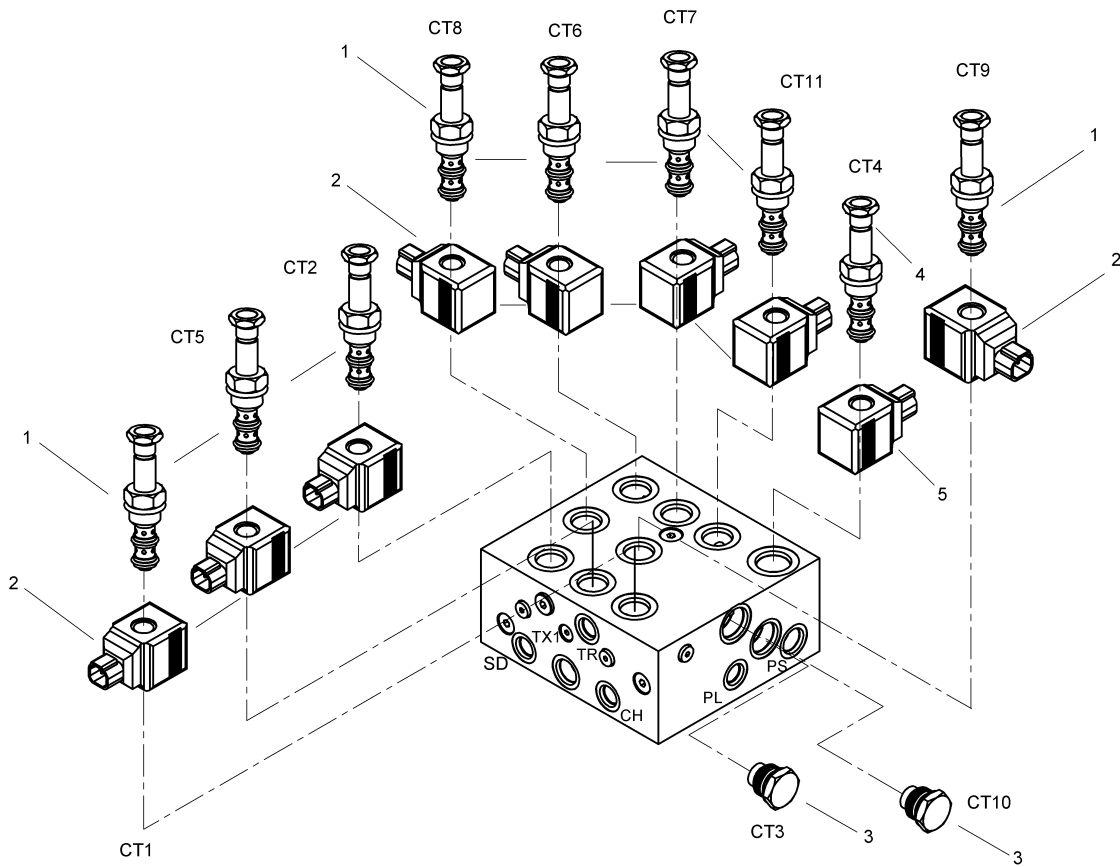
# ŞANZIMAN VALFİ TRANSMISSION VALVE



**ŞANZIMAN VALFİ  
TRANSMISSION VALVE**

No	Parça No	Parça Adı		Adet	S.K.	Bas.S.N	Bit.S.N	Y.K.	Not
No	Part no		Description	Qty	SC	S/N from	S/N to	ICA	Note
0	H233522000	ŞANZIMAN VALFİ KOMPLESİ	TRANSMISSION VALVE ASS'Y	1					
1	H239025429	VALF BLOĞU	VALVE BLOCK	1					
1-1	H239025430	SEÇİCİ VALF	SELECTOR VALVE	1					
1-2	H239025431	VALF	VALVE	1					
1-3	H239025435	TAPA	PLUG	2					
1-4	H239025436	TAPA	PLUG	1					
1-5	H239025437	TAPA	PLUG	1					
1-6	H239025180	O-RİNG	O-RING	2					
1-7	H239025279	O-RİNG	O-RING	1					
1-8	H239025398	O-RİNG	O-RING	1					

### PİLOT VE ŞANZIMAN VALFİ PILOT AND TRANSMISSION VALVE

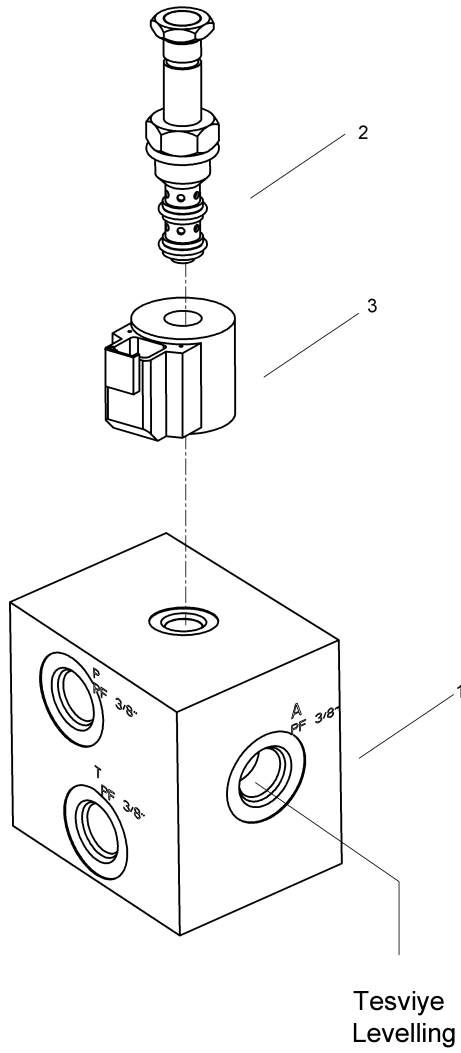




**PİLOT VE ŞANZİMAN VALFİ**  
**PILOT AND TRANSMISSION VALVE**

No	Parça No	Parça Adı		Adet	S.K.	Bas.S.N	Bit.S.N	Y.K.	Not
No	Part no		Description	Qty	SC	S/N from	S/N to	ICA	Note
0	H233520202	PİLOT VE ŞANZİMAN VALFİ	PILOT AND TRANSMISSION VALVE						
1	H239046021	SOLENOID VALF	SOLENOID VALVE	1		K1			
2	H239046028	BOBİN	COIL	1		K1			
3	H239046020	ÇEK VALF	CHECK VALVE	1		K2			
4	H239046023	SOLENOID VALF	SOLENOID VALVE	1		K3			
5	H239046029	BOBİN	COIL	1		K3			
K1	H239046034	KEÇE TAKIMI	SEAL KIT						
K2	H239046035	KEÇE TAKIMI	SEAL KIT						
K3	H239046032	KEÇE TAKIMI	SEAL KIT						

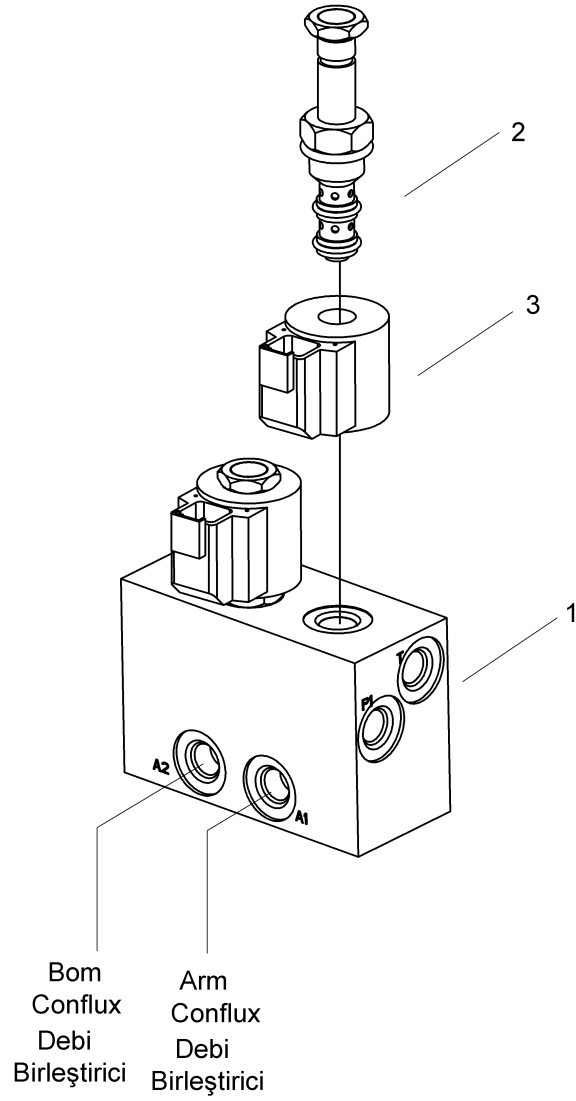
1'Lİ SOLENOİD VALF  
SOLENOID VALVE, 1 SECTION



**1'Lİ SOLENOİD VALF**  
**SOLENOID VALVE, 1 SECTION**

No	Parça No	Parça Adı		Adet	S.K.	Bas.S.N	Bit.S.N	Y.K.	Not
No	Part no		Description	Qty	SC	S/N from	S/N to	ICA	Note
0	H253201502	SOLENOİD VALF KOMPLESİ, 1'Lİ	SOLENOID VALVE ASS'Y, 1 SECTION	1					
1	H259041010	GÖVDE	BODY	1					
2	H349041013	SOLENOİD VALF	SOLENOID VALVE	1					
3	H259041011	BOBİN	COIL	1					

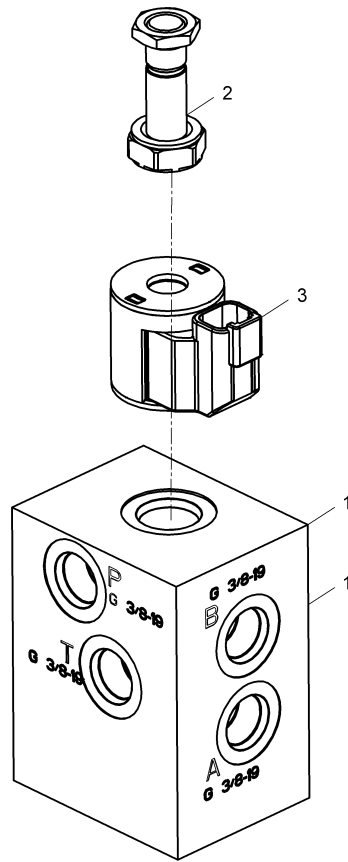
## 2'Lİ SOLENOİD VALF SOLENOID VALVE, 2 SECTION



**2'Lİ SOLENOİD VALF**  
**SOLENOID VALVE, 2 SECTION**

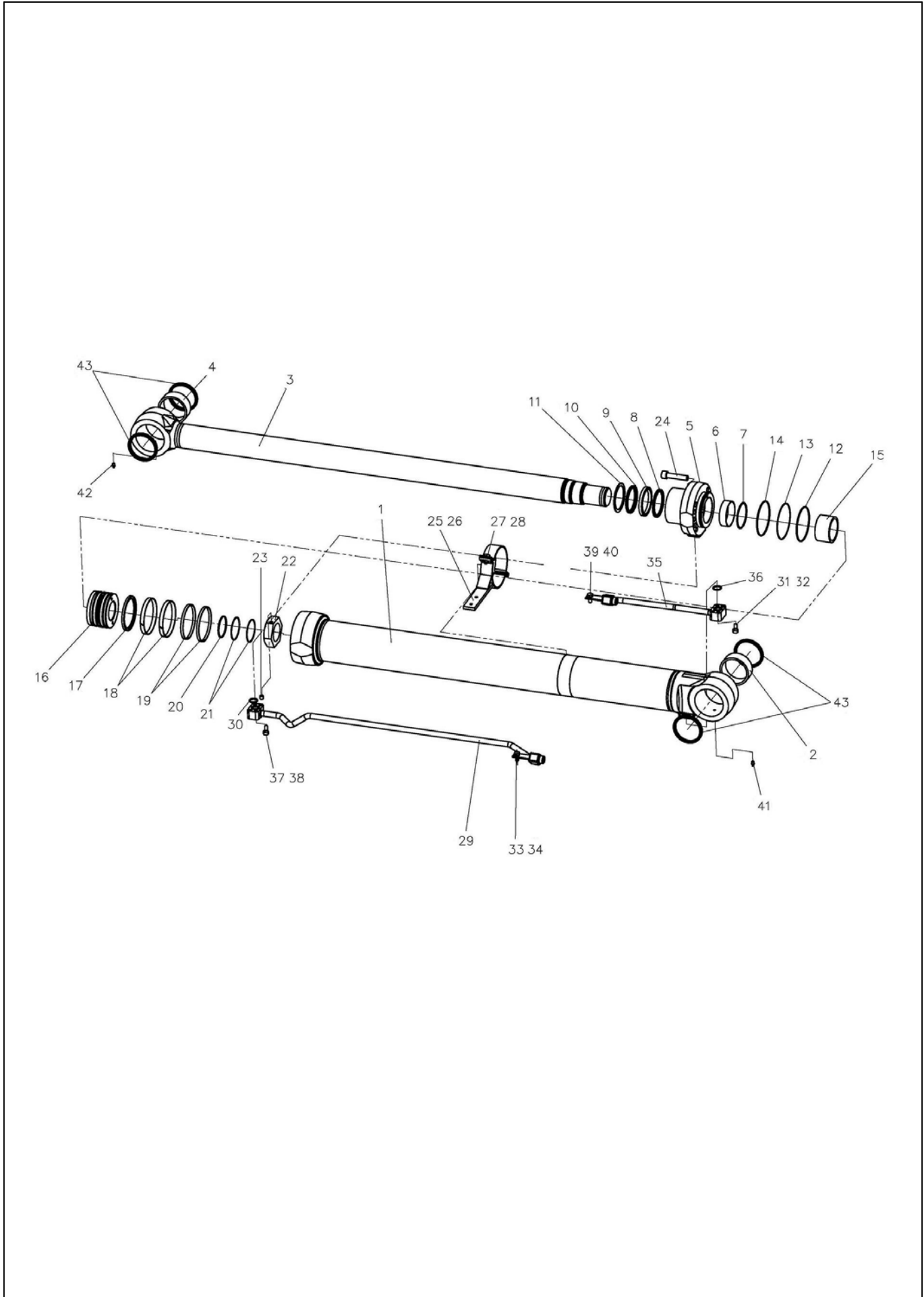
No	Parça No	Parça Adı		Adet	S.K.	Bas.S.N	Bit.S.N	Y.K.	Not
No	Part no		Description	Qty	SC	S/N from	S/N to	ICA	Note
0	H343203401	SOLENOİD VALF KOMPLESİ, 2'Lİ	SOLENOID VALVE ASS'Y, 2 SECTION	1					
1	H349040010	GÖVDE	BODY	1					
2	H349040011	SOLENOİD VALF	SOLENOID VALVE	1					
3	H349040012	BOBİN	COIL	1					

# KULE KİLİT VALFİ SWING SAFETY LOCK VALVE



**KULE KİLİT VALFİ**  
**SWING SAFETY LOCK VALVE**

No	Parça No	Parça Adı		Adet	S.K.	Bas.S.N	Bit.S.N	Y.K.	Not
No	Part no		Description	Qty	SC	S/N from	S/N to	ICA	Note
0	H223200200	KULE KİLİT VALFİ	SWING SAFETY LOCK VALVE	1					
1	H229040001	GÖVDE	BODY	1					
2	H229040002	SOLENOID VALF	SOLENOID VALVE	1					
3	H259041011	BOBİN	COIL	1					

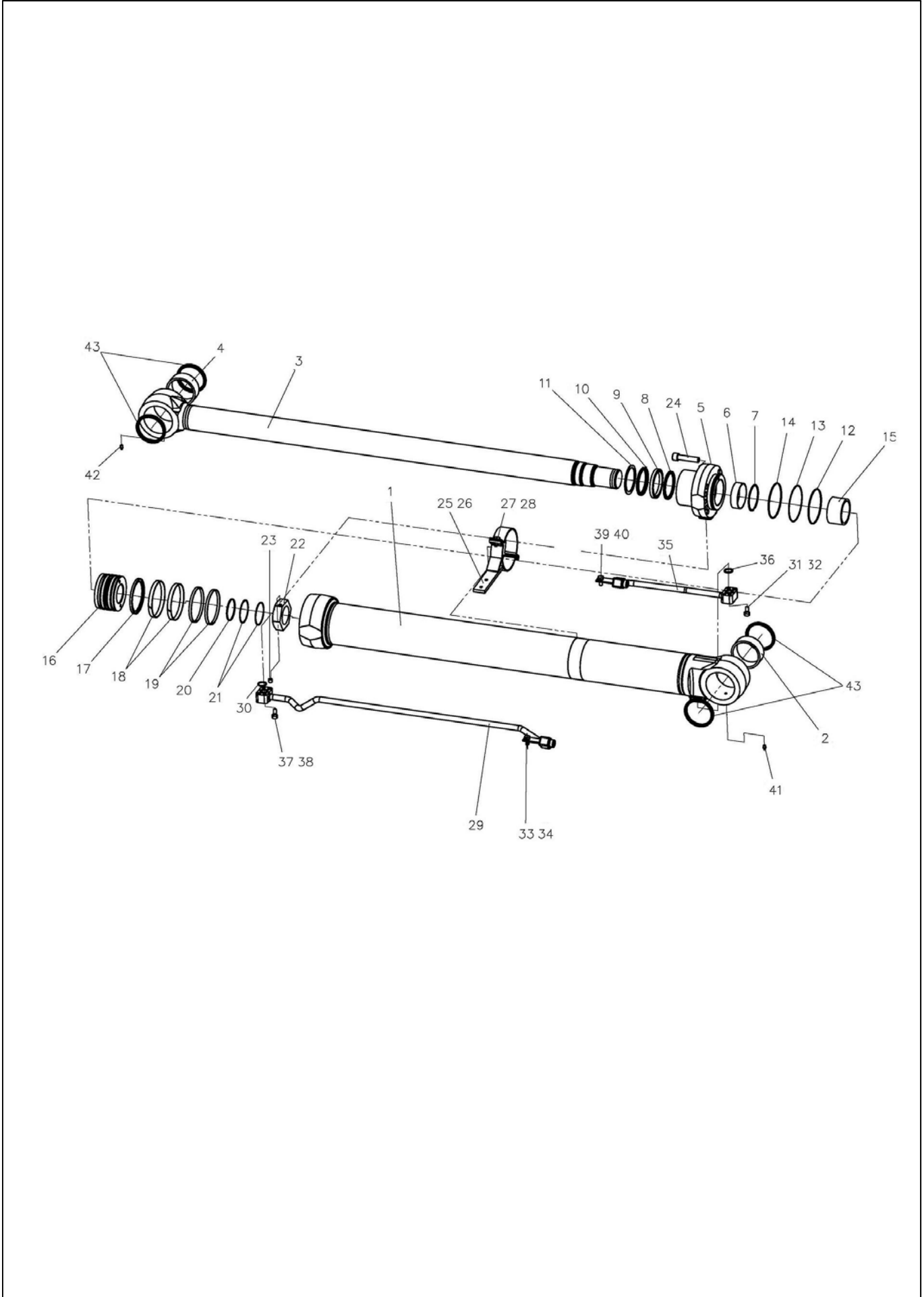
**BOM SİLİNDİRİ, SAĞ  
BOOM CYLINDER, RH**



## BOM SİLİNDİRİ, SAĞ BOOM CYLINDER, RH

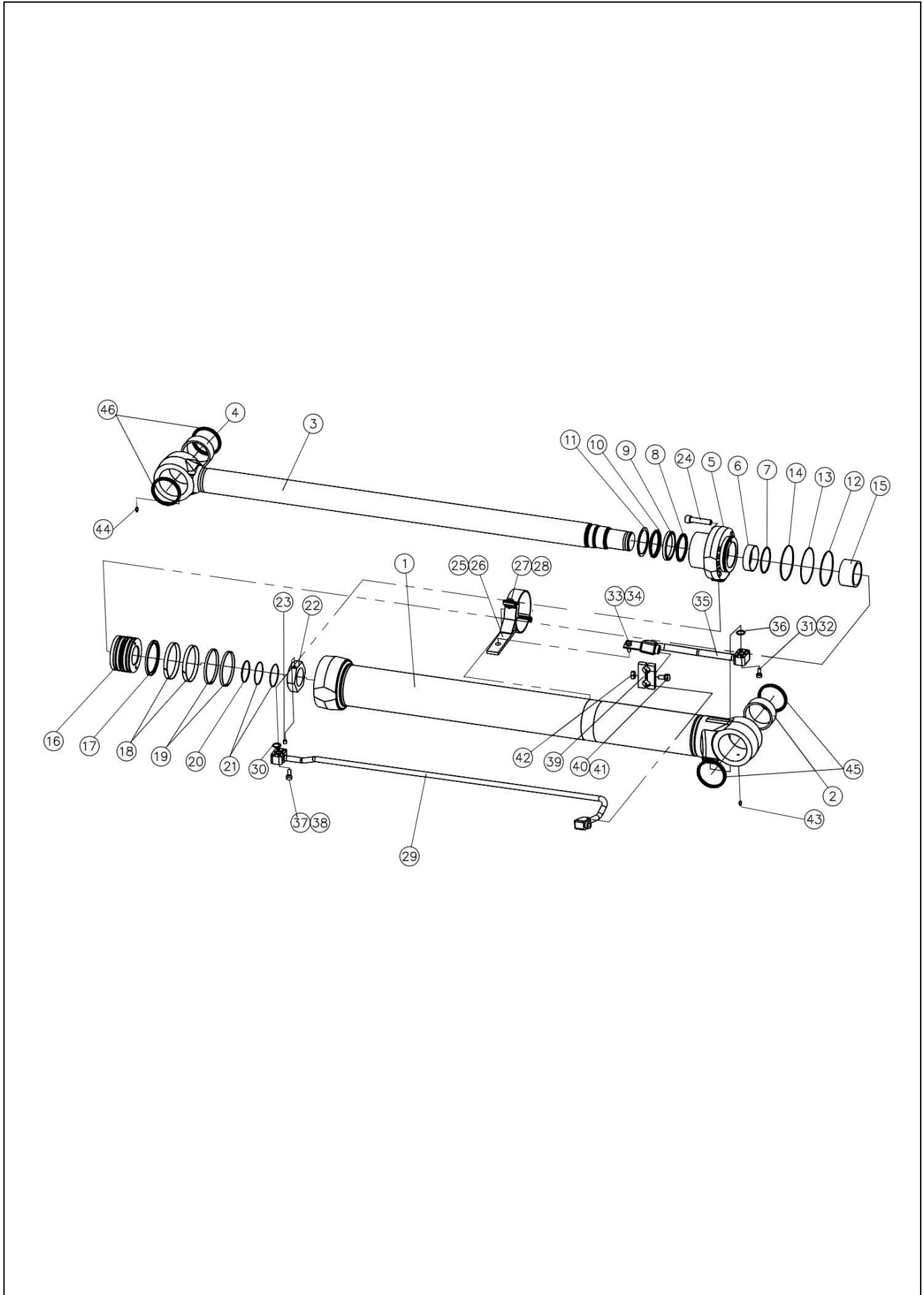
No	Parça No	Parça Adı	Adet	S.K.	Bas.S.N	Bit.S.N	Y.K.	Not
No	Part no	Description	Qty	SC	S/N from	S/N to	ICA	Note
0	H203300100	SİLİNDİR KOMPLESİ, BOM, SAĞ	1					
1	H209038039	SİLİNDİR BORUSU K.M.	1					
2	H209038040	BURÇ	1					
3	H209038041	SİLİNDİR MİLİ K.M.	1					
4	H209038040	BURÇ	1					
5	H209038042	BOĞAZ	1					
6	H209038043	BURÇ	1					
7	H209038044	SEGMAN	1	K				
8	H209038045	TAMPON KEÇE	1	K				
9	H209038046	BOĞAZ KEÇESİ	1	K				
10	H209038047	TOZ KEÇESİ	1	K				
11	H209038048	SEGMAN	1	K				
12	H209038049	O-RİNG	1	K				
13	H209038050	BACK-UP RİNG	1	K				
14	H209038051	O-RİNG	1	K				
15	H209038052	YASTIKLAMA BİLEZİĞİ	1					
16	H209038053	PİSTON	1					
17	H209038054	PİSTON KEÇESİ	1	K				
18	H209038055	YATAKLAMA BANDI	2	K				
19	H209038056	TOZ KEÇESİ	2	K				
20	H209038057	O-RİNG	1	K				
21	H209038058	BACK-UP RİNG	2	K				
22	H209038059	SOMUN	1					
23	H209038060	SETSKUR	1					
24	H209038126	CIVATA	10					
25	H209038062	KELEPÇE K.M., BORU	1					
26	H209038063	KELEPÇE K.M., BORU	1					
27	H209038026	YAYLI RONDELA	2					
28	H209038027	CIVATA	2					
29	H209038064	TESİSAT BORUSU K.M.	1					
30	H209038065	O-RİNG	1					
31	H209038026	YAYLI RONDELA	4					
32	H209038066	CIVATA	4					
33	H209038026	YAYLI RONDELA	2					
34	H209038027	CIVATA	2					
35	H209038067	TESİSAT BORUSU K.M.	1					
36	H209038065	O-RİNG	1					
37	H209038026	YAYLI RONDELA	4					
38	H209038066	CIVATA	4					
39	H209038026	YAYLI RONDELA	2					
40	H209038027	CIVATA	2					
41	H209038036	GRESÖRLÜK	2					
42	H209038070	NIPEL	1					
43	H209038037	TOZ KEÇESİ	4					
K	H209038071	KEÇE TAKIMI	1					

### BOM SİLİNDİRİ, SOL BOOM CYLINDER, LH



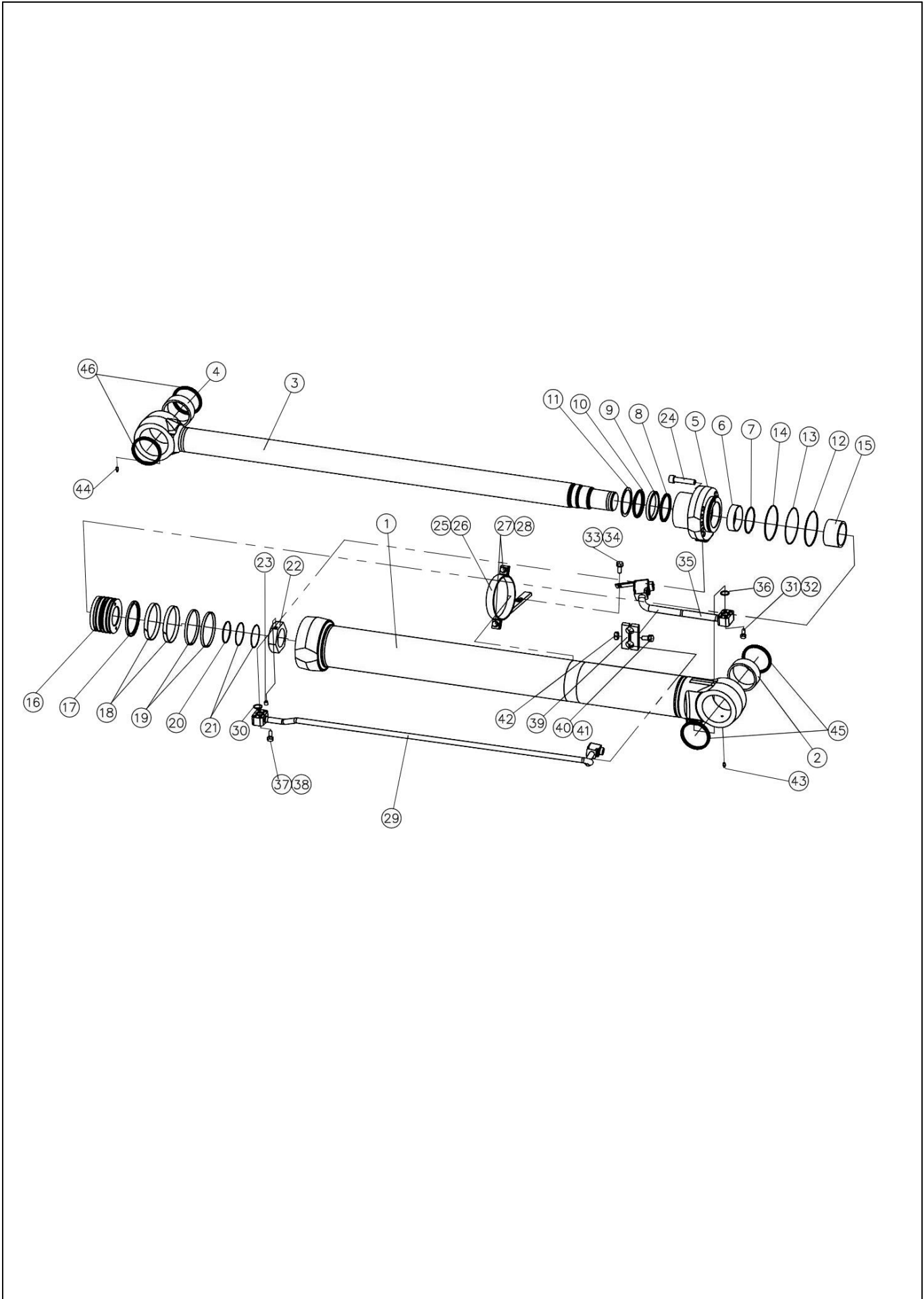
## BOM SİLİNDİRİ, SOL BOOM CYLINDER, LH

No	Parça No	Parça Adı		Adet	S.K.	Bas.S.N	Bit.S.N	Y.K.	Not
No	Part no	Description		Qty	SC	S/N from	S/N to	ICA	Note
0	H203300200	SİLİNDİR KOMPLESİ, BOM, SOL	CYLINDER ASS'Y, BOOM, LH	1					
1	H209038039	SİLİNDİR BORUSU K.M.	CYLINDER TUBE W.A.	1					
2	H209038040	BURÇ	BUSHING	1					
3	H209038041	SİLİNDİR MİLİ K.M.	CYLINDER ROD W.A.	1					
4	H209038040	BURÇ	BUSHING	1					
5	H209038042	BOĞAZ	HEAD, CYLINDER	1					
6	H209038043	BURÇ	BUSHING, HEAD	1					
7	H209038044	SEGMAN	RETAINING RING	1	K				
8	H209038045	TAMPON KEÇE	BUFFER SEAL, HEAD	1	K				
9	H209038046	BOĞAZ KEÇESİ	SEAL, HEAD	1	K				
10	H209038047	TOZ KEÇESİ	SEAL DUST	1	K				
11	H209038048	SEGMAN	RETAINING RING	1	K				
12	H209038049	O-RİNG	O-RING	1	K				
13	H209038050	BACK-UP RİNG	BACK-UP RING	1	K				
14	H209038051	O-RİNG	O-RING	1	K				
15	H209038052	YASTIKLAMA BİLEZİĞİ	CUSHION RING	1					
16	H209038053	PİSTON	PISTON	1					
17	H209038054	PİSTON KEÇESİ	PISTON SEAL	1	K				
18	H209038055	YATAKLAMA BANDI	WEAR RING	2	K				
19	H209038056	TOZ KEÇESİ	SEAL DUST	2	K				
20	H209038057	O-RİNG	O-RING	1	K				
21	H209038058	BACK-UP RİNG	BACK-UP RING	2	K				
22	H209038059	SOMUN	PISTON NUT	1					
23	H209038060	SETSKUR	SET SCREW	1					
24	H209038126	CIVATA	HEX SOCKET BOLT	10					
25	H209038062	KELEPÇE K.M., BORU	PIPE BAND ASS'Y	1					
26	H209038063	KELEPÇE K.M., BORU	PIPE BAND	1					
27	H209038026	YAYLI RONDELA	SPRING WASHER	2					
28	H209038027	CIVATA	BOLT	2					
29	H209038073	TESİSAT BORUSU K.M.	PIPE W.A., LH	1					
30	H209038065	O-RİNG	O-RING	1					
31	H209038026	YAYLI RONDELA	SPRING WASHER	4					
32	H209038066	CIVATA	BOLT	4					
33	H209038026	YAYLI RONDELA	SPRING WASHER	2					
34	H209038027	CIVATA	BOLT	2					
35	H209038072	TESİSAT BORUSU K.M.	PIPE W.A., LH	1					
36	H209038065	O-RİNG	O-RING	1					
37	H209038026	YAYLI RONDELA	SPRING WASHER	4					
38	H209038066	CIVATA	BOLT	4					
39	H209038026	YAYLI RONDELA	SPRING WASHER	2					
40	H209038027	CIVATA	BOLT	2					
41	H209038036	GRESÖRLÜK	GREASE NIPPLE	2					
42	H209038070	NIPEL	NIPPLE	1					
43	H209038037	TOZ KEÇESİ	SEAL DUST	4					
K	H209038071	KEÇE TAKIMI	SEAL KIT	1					

**BOM SİLİNDİRİ, SAĞ (2 PARÇALI BOM 1, OP)  
BOOM CYLINDER, RH (2-PIECE BOOM 1, OP)**

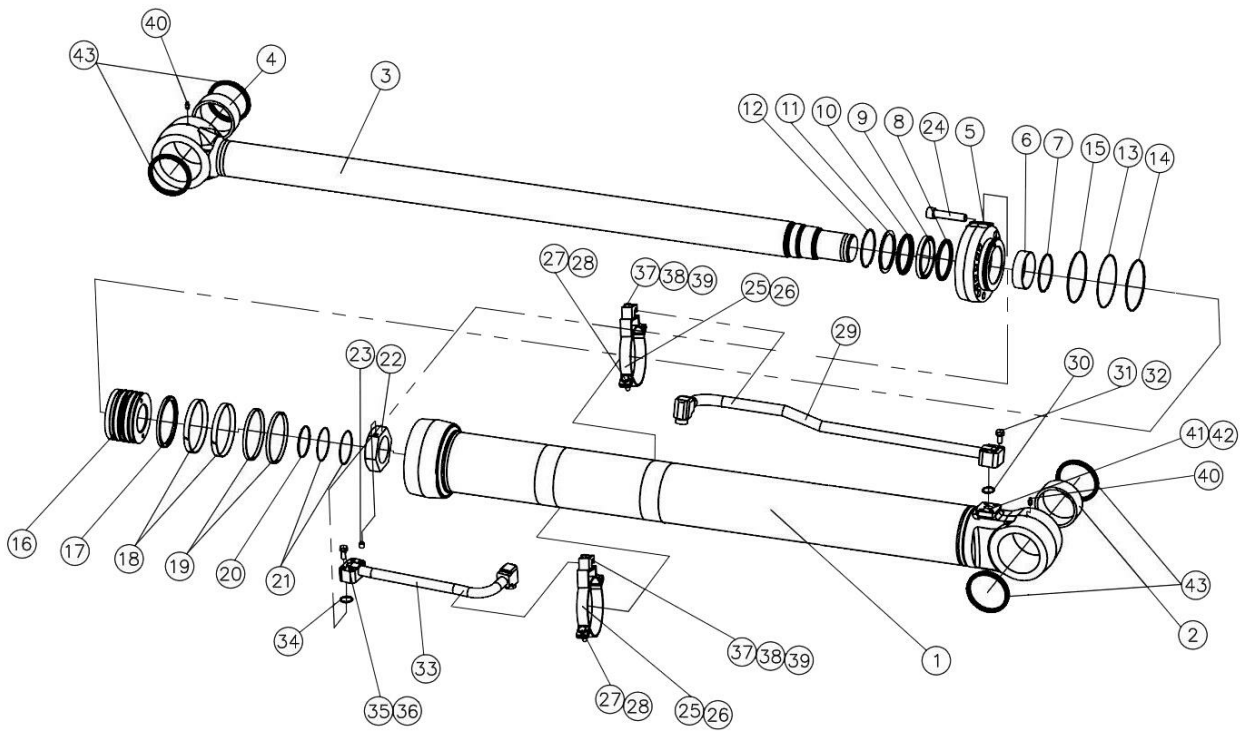
**BOM SİLİNDİRİ, SAĞ (2 PARÇALI BOM 1, OP)**  
**BOOM CYLINDER, RH (2-PIECE BOOM 1, OP)**

No	Parça No	Parça Adı		Adet	S.K.	Bas.S.N	Bit.S.N	Y.K.	Not
No	Part no	Description		Qty	SC	S/N from	S/N to	ICA	Note
0	H203310102	SİLİNDİR KOMPLESİ, BOM, SAĞ	CYLINDER ASS'Y, BOOM, RH	1					
1	H209038109	SİLİNDİR BORUSU K.M.	TUBE W.A., CYLINDER	1					
2	H209038040	BURÇ	BUSHING	1					
3	H209038110A	SİLİNDİR MİLİ K.M.	CYLINDER ROD W.A.	1					
4	H209038111	BURÇ	BUSHING	1					
5	H209038112	BOĞAZ	HEAD, CYLINDER	1					
6	H209038043	BURÇ	BUSHING, HEAD	1					
7	H209038113	SEGMAN	RETINING RING	1	K				
8	H209038045	TAMPON KEÇE	BUFFER SEAL, HEAD	1	K				
9	H209038046	BOĞAZ KEÇESİ	SEAL, HEAD	1	K				
10	H209038047	TOZ KEÇESİ	SEAL DUST	1	K				
11	N051350066	SEGMAN	RETAINING RING	1	K				
12	H209038118	O-RİNG	O-RING	1	K				
13	H209038050	BACK-UP RİNG	BACK-UP RING	1	K				
14	H209038120	O-RİNG	O-RING	1	K				
15	H209038052	YASTIKLAMA BİLEZİĞİ	CUSHION RING	1					
16	H209038053	PİSTON	PISTON	1					
17	H209038054	PİSTON KEÇESİ	PISTON SEAL	1	K				
18	H209038055	YATAKLAMA BANDI	WEAR RING	2	K				
19	H209038056	TOZ KEÇESİ	SEAL DUST	1	K				
20	H209038057	O-RİNG	O-RING	1	K				
21	H209038058	BACK-UP RİNG	BACK-UP RING	2	K				
22	H209038059	SOMUN	PISTON NUT	1					
23	H209038060	SETSKUR	SET SCREW	1					
24	H209038126	CIVATA	HEX SOCKET BOLT	10					
25	H209038127	KELEPÇE K.M., BORU	PIPE BAND ASS'Y	1					
26	H209038063	KELEPÇE K.M., BORU	PIPE BAND	1					
27	N031310011	YAYLI RONDELA	SPRING WASHER	2					
28	N010380566	CIVATA	BOLT	2					
29	H209038130	TESİSAT BORUSU K.M.	PIPE W.A., RH	1					
30	H379038090	O-RİNG	O-RING	1					
31	N031310011	YAYLI RONDELA	SPRING WASHER	4					
32	H209038133	CIVATA	BOLT	4					
33	N031310011	YAYLI RONDELA	SPRING WASHER	1					
34	H209038134	CIVATA	BOLT	1					
35	H209038135	TESİSAT BORUSU K.M.	PIPE W.A., RH	1					
36	H379038090	O-RİNG	O-RING	1					
37	N031310011	YAYLI RONDELA	SPRING WASHER	4					
38	H209038133	CIVATA	BOLT	4					
39	H209038137	KELEPÇE	CLAMP	2					
40	N031310011	YAYLI RONDELA	SPRING WASHER	1					
41	H209038138	CIVATA	BOLT	1					
42	N023570206	SOMUN	NUT	1					
43	H209038036	GRESÖRLÜK	GREASE NIPPLE	1					
44	H209038070	NİPEL	NIPPLE	1					
45	H209038037	TOZ KEÇESİ	SEAL DUST	4					
46	H209038140	TOZ KEÇESİ	PIN WIPER	4					
K	H209038141	KEÇE TAKIMI	KIT SEAL	1					

**BOM SİLİNDİRİ, SOL (2 PARÇALI BOM 1, OP)**  
**BOOM CYLINDER, LH (2-PIECE BOOM 1, OP)**

**BOM SİLİNDİRİ, SOL (2 PARÇALI BOM 1, OP)**  
**BOOM CYLINDER, LH (2-PIECE BOOM 1, OP)**

No	Parça No	Parça Adı		Adet	S.K.	Bas.S.N	Bit.S.N	Y.K.	Not
No	Part no	Description		Qty	SC	S/N from	S/N to	ICA	Note
0	H203310202	SİLİNDİR KOMPLESİ, BOM, SOL	CYLINDER ASS'Y, BOOM, LH	1					
1	H209038109	SİLİNDİR BORUSU K.M.	TUBE W.A., CYLINDER	1					
2	H209038040	BURÇ	BUSHING	1					
3	H209038110A	SİLİNDİR MİLİ K.M.	CYLINDER ROD W.A.	1					
4	H209038111	BURÇ	BUSHING	1					
5	H209038112	BOĞAZ	HEAD, CYLINDER	1					
6	H209038043	BURÇ	BUSHING, HEAD	1					
7	H209038113	SEGMAN	RETINING RING	1	K				
8	H209038045	TAMPON KEÇE	BUFFER SEAL, HEAD	1	K				
9	H209038046	BOĞAZ KEÇESİ	SEAL, HEAD	1	K				
10	H209038047	TOZ KEÇESİ	SEAL DUST	1	K				
11	N051350066	SEGMAN	RETAINING RING	1	K				
12	H209038118	O-RİNG	O-RING	1	K				
13	H209038050	BACK-UP RİNG	BACK-UP RING	1	K				
14	H209038120	O-RİNG	O-RING	1	K				
15	H209038052	YASTIKLAMA BİLEZİĞİ	CUSHION RING	1					
16	H209038053	PİSTON	PISTON	1					
17	H209038054	PİSTON KEÇESİ	PISTON SEAL	1	K				
18	H209038055	YATAKLAMA BANDI	WEAR RING	2	K				
19	H209038056	TOZ KEÇESİ	SEAL DUST	1	K				
20	H209038057	O-RİNG	O-RING	1	K				
21	H209038058	BACK-UP RİNG	BACK-UP RING	2	K				
22	H209038059	SOMUN	PISTON NUT	1					
23	H209038060	SETSKUR	SET SCREW	1					
24	H209038126	CIVATA	HEX SOCKET BOLT	10					
25	H209038127	KELEPÇE K.M., BORU	PIPE BAND ASS'Y	1					
26	H209038063	KELEPÇE K.M., BORU	PIPE BAND	1					
27	N031310011	YAYLI RONDELA	SPRING WASHER	2					
28	N010380566	CIVATA	BOLT	2					
29	H209038131	TESİSAT BORUSU K.M.	PIPE W.A., LH	1					
30	H379038090	O-RİNG	O-RING	1					
31	N031310011	YAYLI RONDELA	SPRING WASHER	4					
32	H209038133	CIVATA	BOLT	4					
33	N031310011	YAYLI RONDELA	SPRING WASHER	1					
34	H209038134	CIVATA	BOLT	1					
35	H209038136	TESİSAT BORUSU K.M.	PIPE W.A., LH	1					
36	H379038090	O-RİNG	O-RING	1					
37	N031310011	YAYLI RONDELA	SPRING WASHER	4					
38	H209038133	CIVATA	BOLT	4					
39	H209038137	KELEPÇE	CLAMP	2					
40	N031310011	YAYLI RONDELA	SPRING WASHER	1					
41	H209038138	CIVATA	BOLT	1					
42	N023570206	SOMUN	NUT	1					
43	H209038036	GRESÖRLÜK	GREASE NIPPLE	1					
44	H209038070	NİPEL	NIPPLE	1					
45	H209038037	TOZ KEÇESİ	SEAL DUST	4					
46	H209038140	TOZ KEÇESİ	PIN WIPER	4					
K	H209038141	KEÇE TAKIMI	KIT SEAL	1					

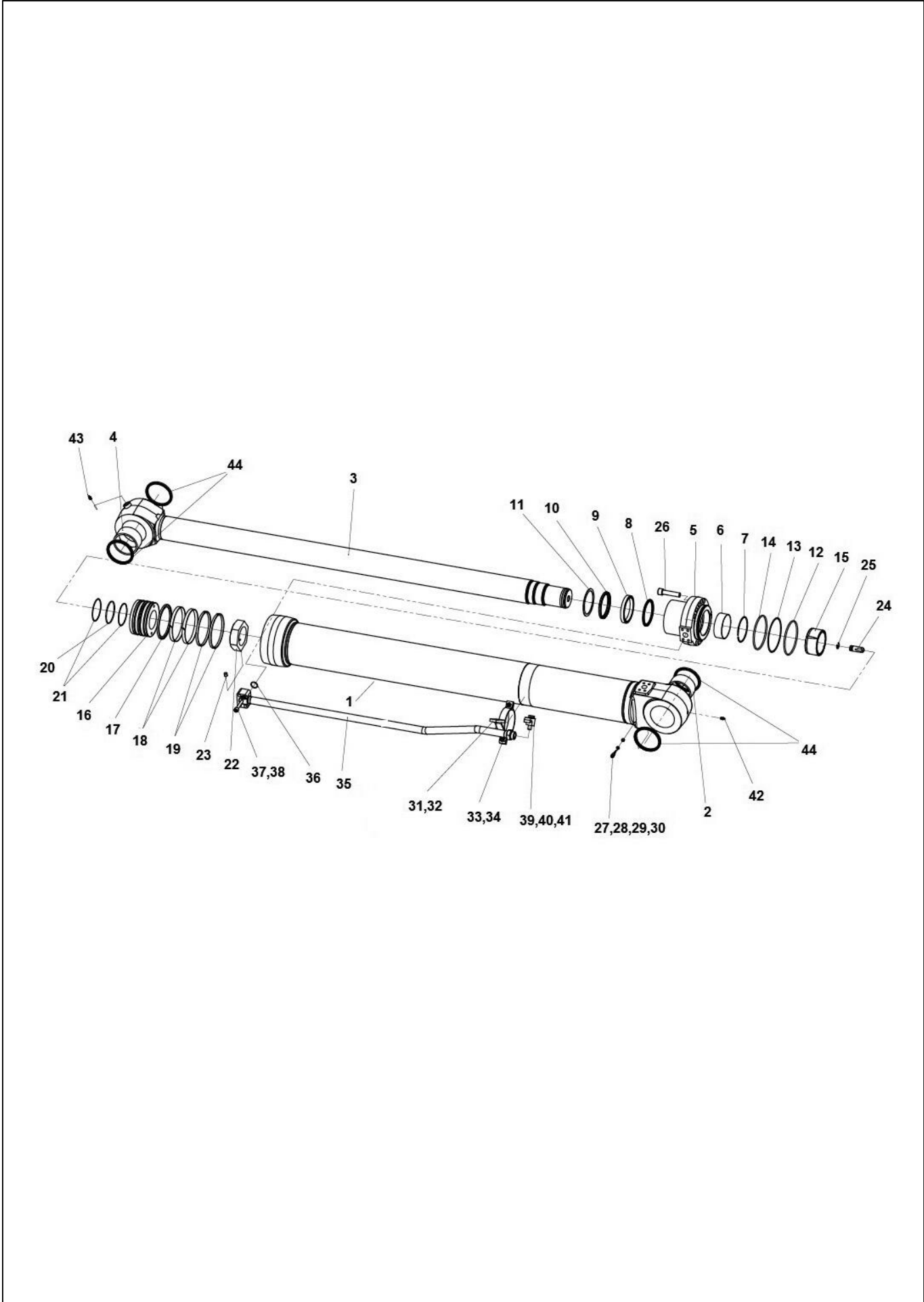
**BOM SİLİNDİRİ, (2 PARÇALI BOM 2, OP)**  
**BOOM CYLINDER, (2-PIECE BOOM 2, OP)**



**BOM SİLİNDİRİ, (2 PARÇALI BOM 2, OP)**  
**BOOM CYLINDER, (2-PIECE BOOM 2, OP)**

No	Parça No	Parça Adı		Adet	S.K.	Bas.S.N	Bit.S.N	Y.K.	Not
No	Part no	Description		Qty	SC	S/N from	S/N to	ICA	Note
0	H203310300	SİLİNDİR KOMPLESİ, BOM 2	CYLINDER ASS'Y, BOOM 2	1					
1	H209038142	SİLİNDİR BORUSU K.M.	TUBE W.A., CYLINDER	1					
2	H209038143	BURÇ	BUSHING	1					
3	H209038144	SİLİNDİR MİLİ K.M.	CYLINDER ROD W.A.	1					
4	H209038143	BURÇ	BUSHING	1					
5	H209038145	BOĞAZ	HEAD, CYLINDER	1					
6	H209038146	BURÇ	BUSHING, HEAD	1					
7	H209038147	SEGMAN	RETAINING RING	1	K				
8	H209038148	TAMPON KEÇE	BUFFER SEAL	1	K				
9	H209038149	KEÇE, U-PACKING	U PACKING	1	K				
10	H209038150	BACK-UP RİNG	BACK-UP RING	1	K				
11	H209038151	TOZ KEÇESİ	SEAL DUST	1	K				
12	H209038152	SEGMAN	RETAINING RING	1	K				
13	H209038153	O-RİNG	O-RING	1	K				
14	H209038154	BACK-UP RİNG	BACK-UP RING	1	K				
15	H209038155	O-RİNG	O-RING	1	K				
16	H209038156	PISTON	PISTON	1					
17	H209038157	PISTON KEÇESİ	PISTON SEAL	1	K				
18	H209038158	YATAKLAMA BANDI	WEAR RING	1	K				
19	H209038159	TOZ KEÇESİ	SEAL DUST	1	K				
20	H209038160	O-RİNG	O-RING	1	K				
21	H209038161	BACK-UP RİNG	BACK-UP RING	2	K				
22	H209038162	SOMUN	PISTON NUT	1					
23	H209038163	SETSKUR	SET SCREW	1					
24	H209038164	CIVATA	BOLT	14					
25	H209038165	KELEPÇE K.M., BORU	PIPE BAND ASS'Y	2					
26	H209038166	KELEPÇE K.M., BORU	PIPE BAND	2					
27	N031310011	YAYLI RONDELA	SPRING WASHER	4					
28	H209038167	CIVATA	BOLT	4					
29	H209038168	TESİSAT BORUSU K.M.	PIPE W.A.	1					
30	H379038090	O-RİNG	O-RING	1					
31	N031310011	YAYLI RONDELA	SPRING WASHER	4					
32	H209038139	SOMUN	NUT	4					
33	H209038169	TESİSAT BORUSU K.M.	PIPE W.A.	1					
34	H379038090	O-RİNG	O-RING	1					
35	N031310011	YAYLI RONDELA	SPRING WASHER	4					
36	H209038170	CIVATA	BOLT	4					
37	H209038105	KELEPÇE	CLAMP	2					
38	H209038172	YAYLI RONDELA	SPRING WASHER	2					
39	H209038173	CIVATA	BOLT	2					
40	H209038036	GRESÖRLÜK	GREASE NIPPLE	2					
41	H209038174	ARA PARÇA	SPACER	1					
42	H379038090	O-RİNG	O-RING	1					
43	H209038175	TOZ KEÇESİ	PIN WIPER	4					
K	H209038176	KEÇE TAKIMI	KIT, SEAL	1					

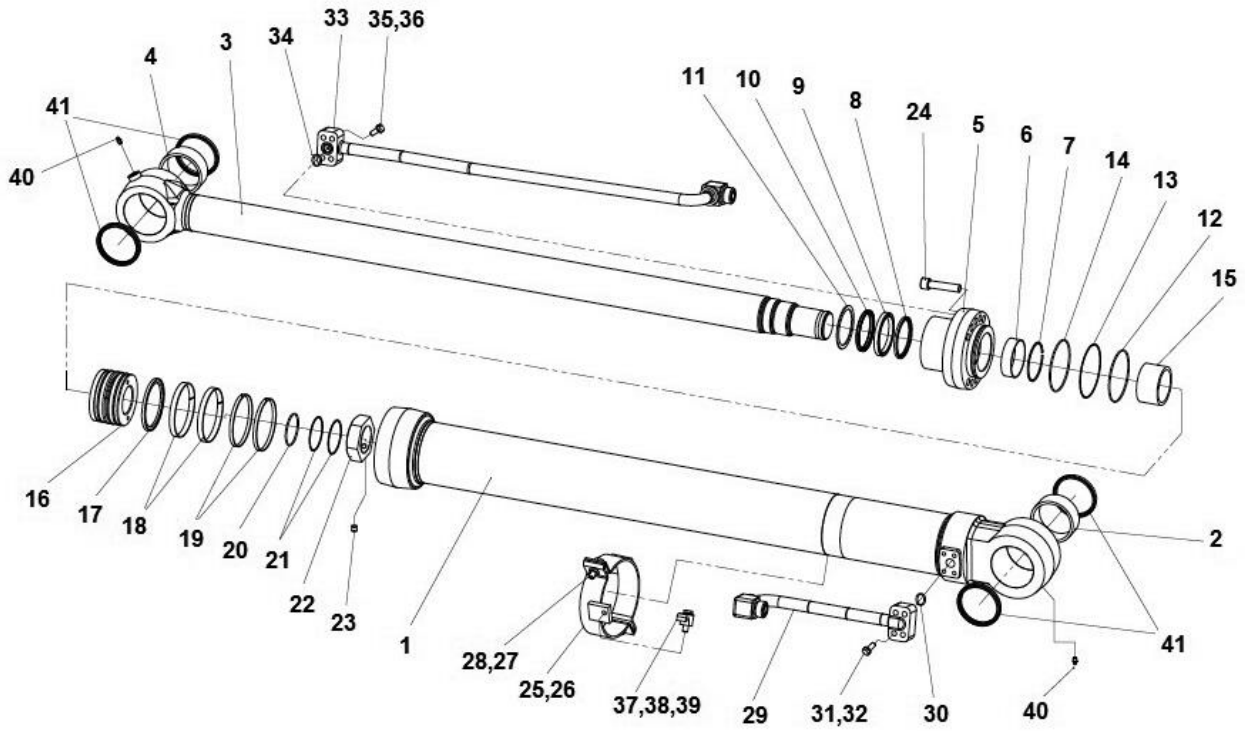
# ARM SİLİNDİRİ ARM CYLINDER



## ARM SİLİNDİRİ ARM CYLINDER

No	Parça No	Parça Adı	Adet	S.K.	Bas.S.N	Bit.S.N	Y.K.	Not
No	Part no	Description	Qty	SC	S/N from	S/N to	ICA	Note
0	H203300300	SİLİNDİR KOMPLESİ, ARM	1					
1	H209038074	SİLİNDİR BORUSU K.M.	1					
2	H209038075	BURÇ	1					
3	H209038076	SİLİNDİR MİLİ K.M.	1					
4	H209038075	BURÇ	1					
5	H209038077	BOĞAZ	1					
6	H209038078	BURÇ	1					
7	H209038010	SEGMAN	1	K				
8	H209038079	TAMPON KEÇE	1	K				
9	H209038080	BOĞAZ KEÇESİ	1	K				
10	H209038081	TOZ KEÇESİ	1	K				
11	H209038147	SEGMAN	1	K				
12	H209038051	O-RİNG	1	K				
13	H209038083	BACK-UP RİNG	1	K				
14	H209038084	O-RİNG	1	K				
15	H209038085	YASTIKLAMA BİLEZİĞİ	1					
16	H209038086	PISTON	1					
17	H209038087	PISTON KEÇESİ	1	K				
18	H209038088	YATAKLAMA BANDI	2	K				
19	H209038089	TOZ KEÇESİ	2	K				
20	H209038090	O-RİNG	1	K				
21	H209038091	BACK-UP RİNG	2	K				
22	H209038092	SOMUN	1					
23	H209038022	SETSKUR	1					
24	H209038093	YASTIKLAMA MİLİ	1					
25	H209038094	SEGMAN	1					
26	H209038095	CIVATA	10					
27	H209038096	ÇEK	1					
28	H209038097	YAY	1					
29	H209038098	BRAKET	1					
30	N16X683001	TAPA	1					
31	H209038100	KELEPÇE K.M., BORU	1					
32	H209038101	KELEPÇE K.M., BORU	1					
33	H209038026	YAYLI RONDELA	2					
34	H209038102	CIVATA	2					
35	H209038103	TESİSAT BORUSU K.M.	1					
36	N102002435	O-RİNG	1					
37	H209038026	YAYLI RONDELA	4					
38	N015900878	CIVATA	4					
39	H209038105	KELEPÇE	1					
40	H209038172	YAYLI RONDELA	1					
41	H209038107	CIVATA	1					
42	H209038070	NİPEL	1					
43	H209038036	GRESÖRLÜK	1					
44	H209038037	TOZ KEÇESİ	4					
K	H209038108	KEÇE TAKIMI	1					

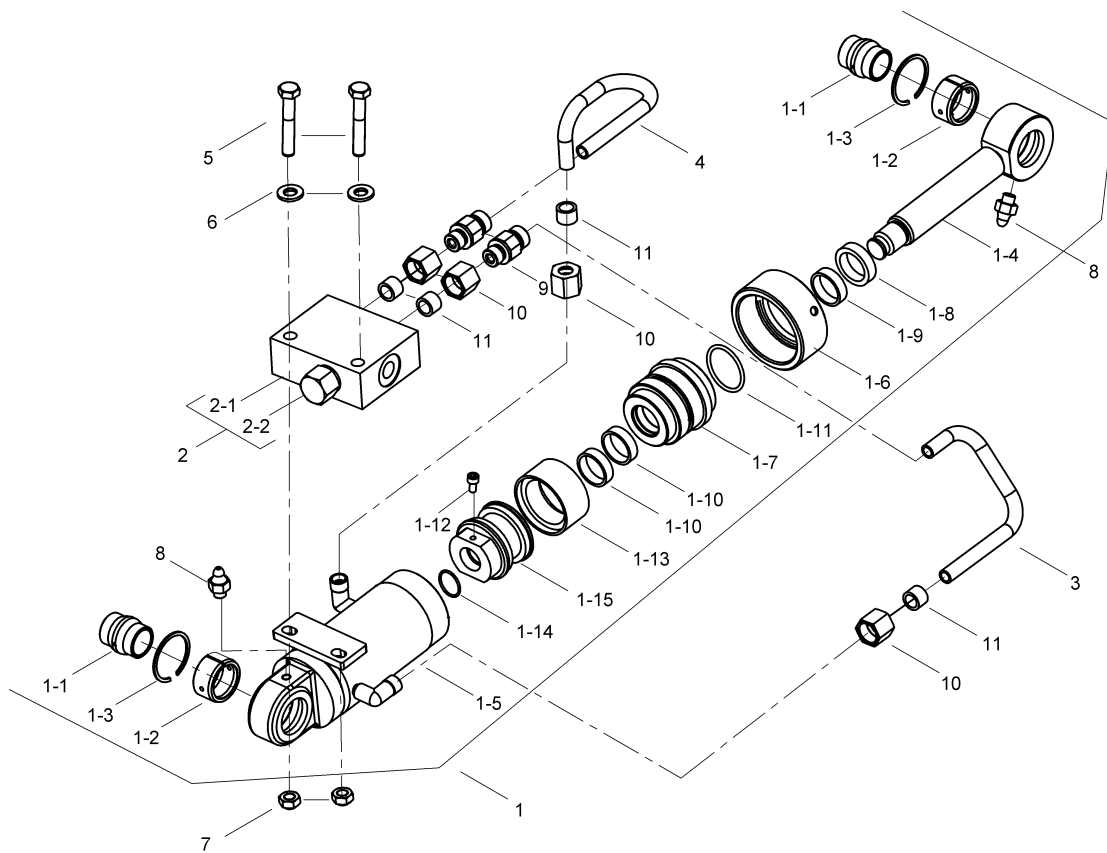
# KEPÇE SİLİNDİRİ BUCKET CYLINDER



## KEPÇE SİLİNDİRİ BUCKET CYLINDER

No	Parça No	Parça Adı	Adet	S.K.	Bas.S.N	Bit.S.N	Y.K.	Not
No	Part no	Description	Qty	SC	S/N from	S/N to	ICA	Note
0	H203300400	SİLİNDİR KOMPLESİ, KEPÇE	1					
1	H209038001	SİLİNDİR BORUSU K.M.	1					
2	H209038002	BURÇ	1					
3	H209038003	SİLİNDİR MİLİ K.M.	1					
4	H209038002	BURÇ	1					
5	H209038004	BOĞAZ	1					
6	H209038005	BURÇ	1					
7	H209038006	SEGMAN	1	K				
8	H209038007	TAMPON KEÇE	1	K				
9	H209038008	BOĞAZ KEÇESİ	1	K				
10	H209038009	TOZ KEÇESİ	1	K				
11	H209038010	SEGMAN	1	K				
12	H209038011	O-RİNG	1	K				
13	H209038012	BACK-UP RİNG	1	K				
14	H209038013	O-RİNG	1	K				
15	H209038014	YASTIKLAMA BİLEZİĞİ	1					
16	H209038015	PISTON	1					
17	H209038016	PISTON KEÇESİ	1	K				
18	H209038017	YATAKLAMA BANDI	2	K				
19	H209038018	TOZ KEÇESİ	2	K				
20	H209038019	O-RİNG	1	K				
21	H209038020	BACK-UP RİNG	2	K				
22	H209038021	SOMUN	1					
23	H209038022	SETSKUR	1					
24	H209038023	CIVATA	10					
25	H209038024	KELEPÇE K.M., BORU	1					
26	H209038025	KELEPÇE K.M., BORU	1					
27	H209038026	YAYLI RONDELA	2					
28	H209038027	CIVATA	2					
29	H209038028	TESİSAT BORUSU K.M.	1					
30	H209038029	O-RİNG	1					
31	H209038030	YAYLI RONDELA	4					
32	H209038031	CIVATA	4					
33	H209038032	TESİSAT BORUSU K.M.	1					
34	H209038033	O-RİNG	1					
35	H209038030	YAYLI RONDELA	4					
36	H209038031	CIVATA	4					
37	H209038034	KELEPÇE	2					
38	H209038026	YAYLI RONDELA	2					
39	H209038035	CIVATA	2					
40	H209038036	GRESÖRLÜK	2					
41	H209038037	TOZ KEÇESİ	4					
K	H209038038	KEÇE TAKIMI	1					

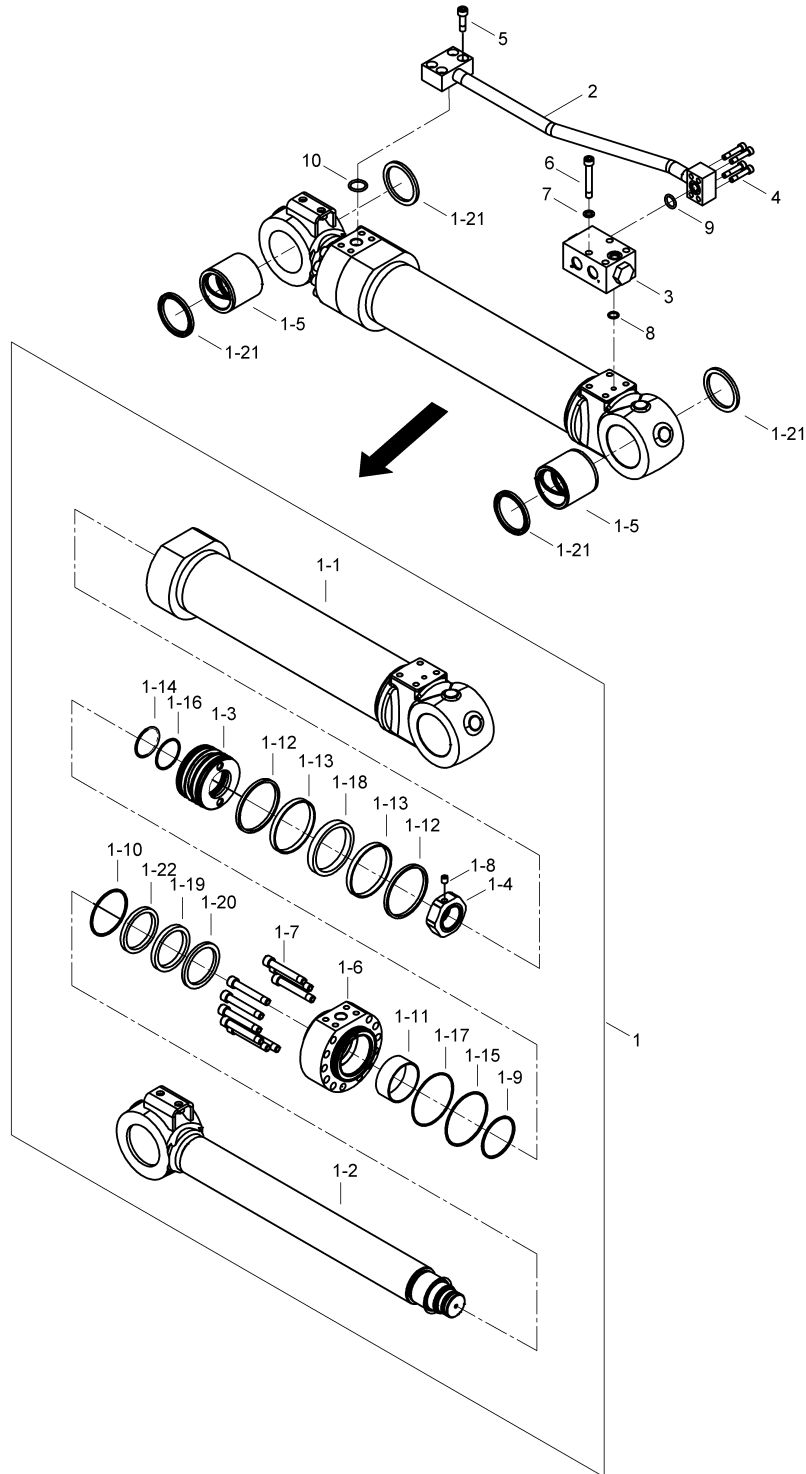
# ÇABUK SÖK TAK SİLİNDİRİ (OP) QUICK COUPLER CYLINDER (OP)



**ÇABUK SÖK TAK SİLİNDİRİ (OP)**  
**QUICK COUPLER CYLINDER (OP)**

No	Parça No	Parça Adı		Adet	S.K.	Bas.S.N	Bit.S.N	Y.K.	Not
No	Part no	Description		Qty	SC	S/N from	S/N to	ICA	Note
0	H200115000	SİLİNDİR VE VALF KOMPLESİ, ÇABUK SÖK-TAK	CYLINDER AND VALVE ASS'Y, QUICK COUPLER	1					
1	H200115100	SİLİNDİR KOMPLESİ, ÇABUK SÖK-TAK	CYLINDER ASS'Y, QUICK COUPLER	1					
1-1	80204070	BURÇ	BUSHING	2					
1-2	80205100	BURÇ	BUSHING	2					
1-3	N050220114	SEGMAN	RETAINING RING	2					
1-4	H200115500	SİLİNDİR MİLİ K.M.	CYLINDER ROD W.A.	1					
1-5	H200115200	SİLİNDİR BORUSU K.M.	CYLINDER TUBE W.A.	1					
1-6	20305500	KAPAK	COVER	1					
1-7	20203000	BOĞAZ	GLAND	1					
1-8	N105303807	TOZ KEÇESİ	SEAL DUST	1					
1-9	N104304010	BOĞAZ KEÇESİ	SEAL, HEAD	1					
1-10	N100303595	YATAKLAMA BANDI	WEAR RING	2					
1-11	N102005835	O-RİNG	O-RING	1					
1-12	N015870290	CIVATA	BOLT	1					
1-13	N103476300	PISTON KEÇESİ	PISTON SEAL	1					
1-14	N102002935	O-RİNG	O-RING	1					
1-15	20102050	PISTON	PISTON	1					
2	H340115001	ÇEK VALF KOMPLESİ	CHECK VALVE ASS'Y	1					
2-1	H349048001A	GÖVDE	BODY	1					
2-2	H349048002	ÇEK VALF	CHECK VALVE	1					
3	H200115700	TESİSAT BORUSU	PIPE	1					
4	H200115800	TESİSAT BORUSU	PIPE	1					
5	N010380398	CIVATA	BOLT	2					
6	N031360009	YAYLI RONDELA	SPRING WASHER	2					
7	N025910062	SOMUN	NUT	2					
8	N081210020	GRESÖRLÜK	GREASE NIPPLE	2					
9	N16K114341	NİPEL	ADAPTER	2					
10	N173570164	YÜKSÜKLÜ SOMUN	NUT	4					
11	N183570164	YÜKSÜK	RING	4					

**AYAK SİLİNDİRİ, SAĞ**  
**OUTRIGGER CYLINDER, RH**

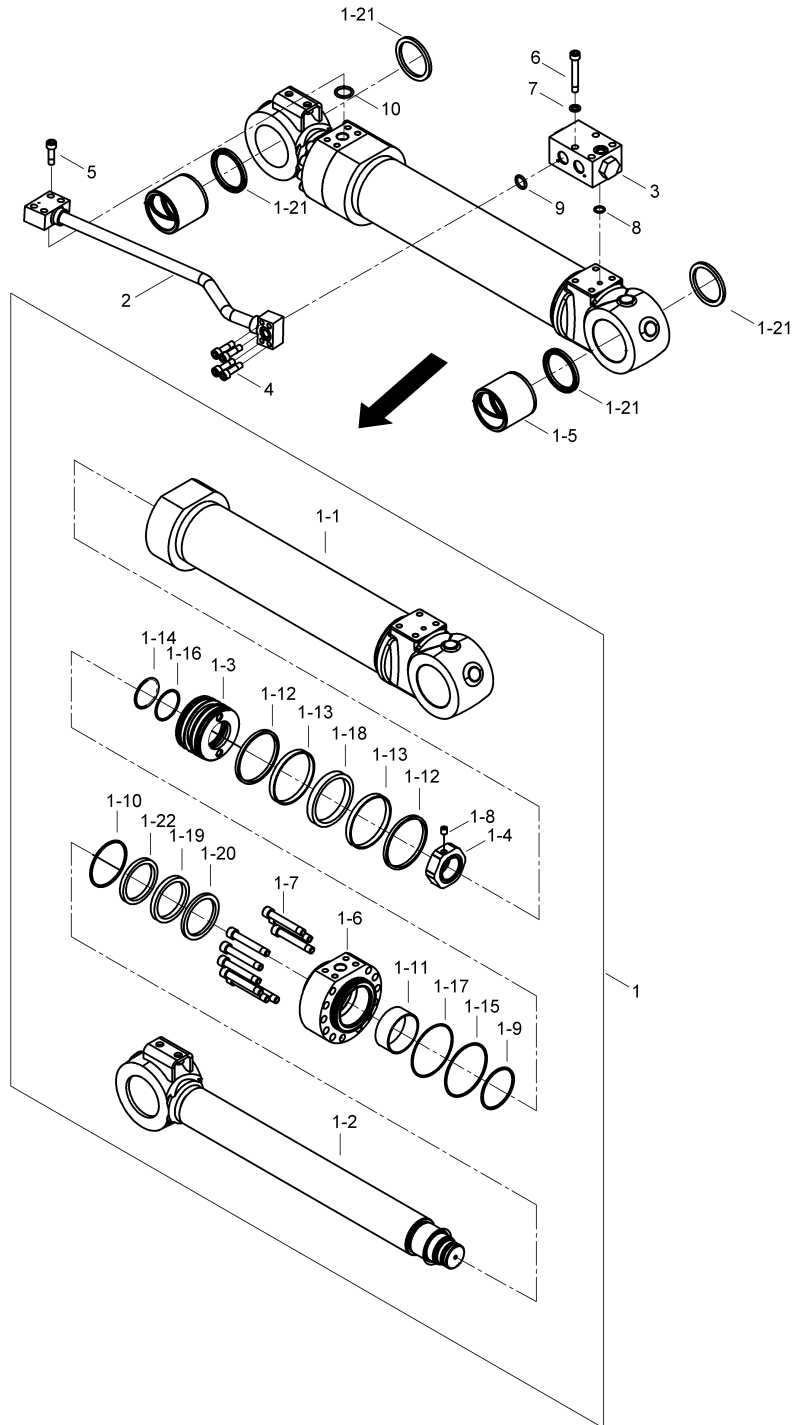




## AYAK SİLİNDİRİ, SAĞ OUTRIGGER CYLINDER, RH

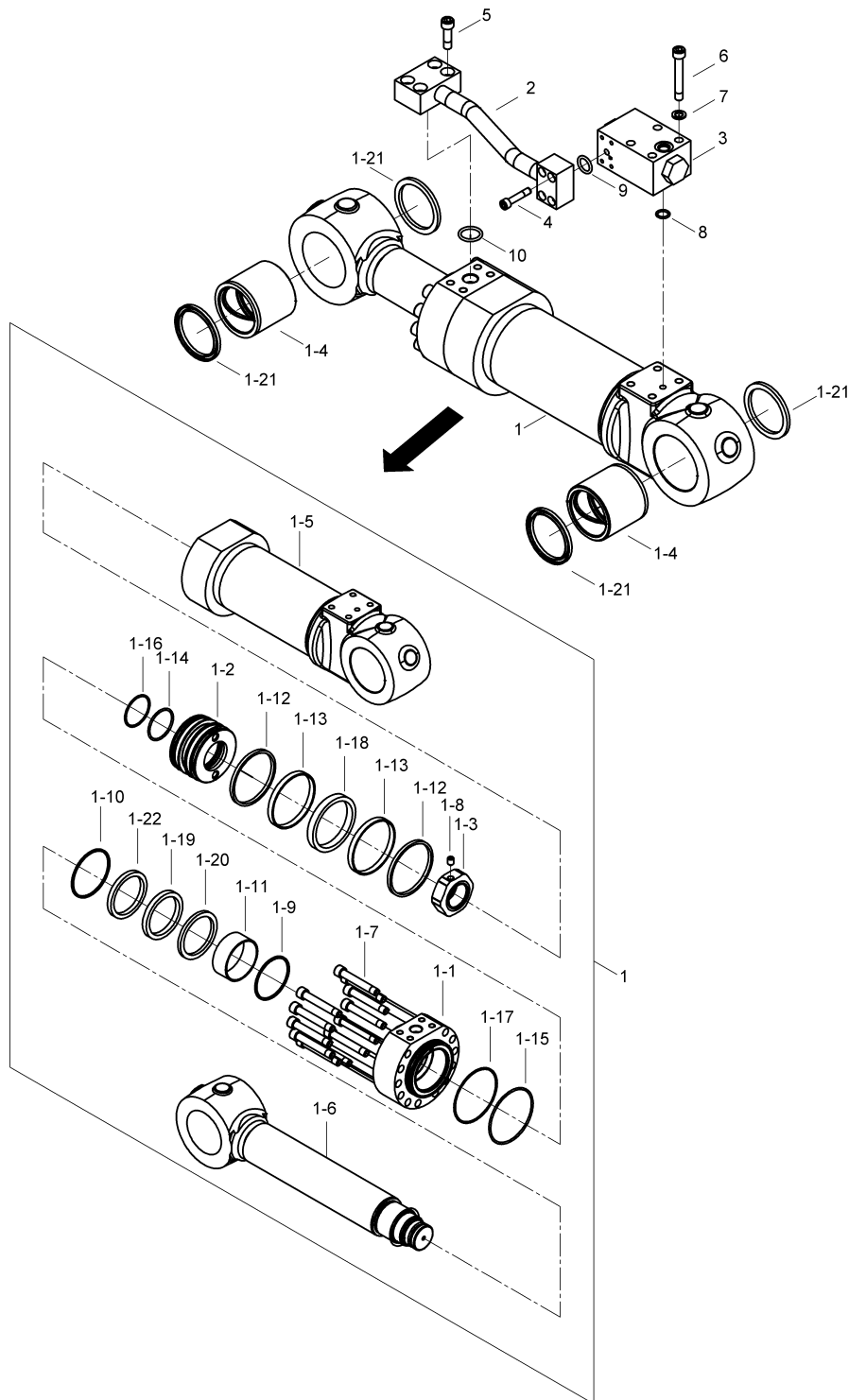
No	Parça No	Parça Adı		Adet	S.K.	Bas.S.N	Bit.S.N	Y.K.	Not
No	Part no	Description		Qty	SC	S/N from	S/N to	ICA	Note
0	H203120101	SİLİNDİR KOMPLESİ, AYAK, SAĞ	CYLINDER ASS'Y, OUTRIGGER, RH	1					
1	H203120202	SİLİNDİR KOMPLESİ, AYAK-GÖVDE	CYLINDER ASS'Y, OUTRIGGER - BODY	1					
1-1	H203120301	TESİSAT BORUSU K.M.	PIPE W.A.	1					
1-2	H203120802	SİLİNDİR MİLİ K.M.	ROD W.A.	1					
1-3	H203121201	PISTON	PISTON	1					
1-4	H203121301	SOMUN	NUT	1					M45x2
1-5	H203121401	SERT BURÇ	BUSHING	2					
1-6	H203121101	BOĞAZ	HEAD, CYLINDER	1					
1-7	N015901284	CIVATA	BOLT	12					M12x80
1-8	N043050868	CIVATA	BOLT	1					M8x15
1-9	N05135056	SEGMAN	RETAINING RING	1					
1-10	N05135063	SEGMAN	RETAINING RING	1	K				
1-11	N100007030	BURÇ	BUSHING, HEAD	1					
1-12	N100910006	YATAKLAMA BANDI	WEAR RING	2	K				
1-13	N101910009	YATAKLAMA BANDI	RING, WEAR	2	K				
1-14	N102005203	O-RİNG	O-RING	1	K				
1-15	N102009403	O-RİNG	O-RING	1					
1-16	N102605301	O-RİNG	O-RING	2	K				
1-17	N102610001	O-RİNG	O-RING	1	K				
1-18	N103910012	PISTON KEÇESİ	PISTON SEAL	1	K				
1-19	N104700009	BOĞAZ KEÇESİ	SEAL, HEAD	1	K				
1-20	N104708506	BOĞAZ KEÇESİ	SEAL, HEAD	1	K				
1-21	N105658005	TOZ KEÇESİ	SEAL DUST	4	K				
1-22	N105708408	TOZ KEÇESİ	SEAL DUST	1	K				
2	H203121501	TESİSAT BORUSU K.M., SOL	PIPE W.A., LH	1					
3	H233124901	ÇEK VALF	CHECK VALVE	1					
4	N015890518	CIVATA	BOLT	4					
5	N015890830	CIVATA	BOLT	4					M10x35
6	N015890914	CIVATA	BOLT	4					M10x70
7	N031310011	YAYLI RONDELA	SPRING WASHER	4					M10
8	N102001322	O-RİNG	O-RING	1					
9	N102001803	O-RİNG	O-RING	1					
K	H203124600	TAMİR TAKIMI	SEAL KIT	1					

### AYAK SİLİNDİRİ, SOL OUTRIGGER CYLINDER, LH



## AYAK SİLİNDİRİ, SOL OUTRIGGER CYLINDER, LH

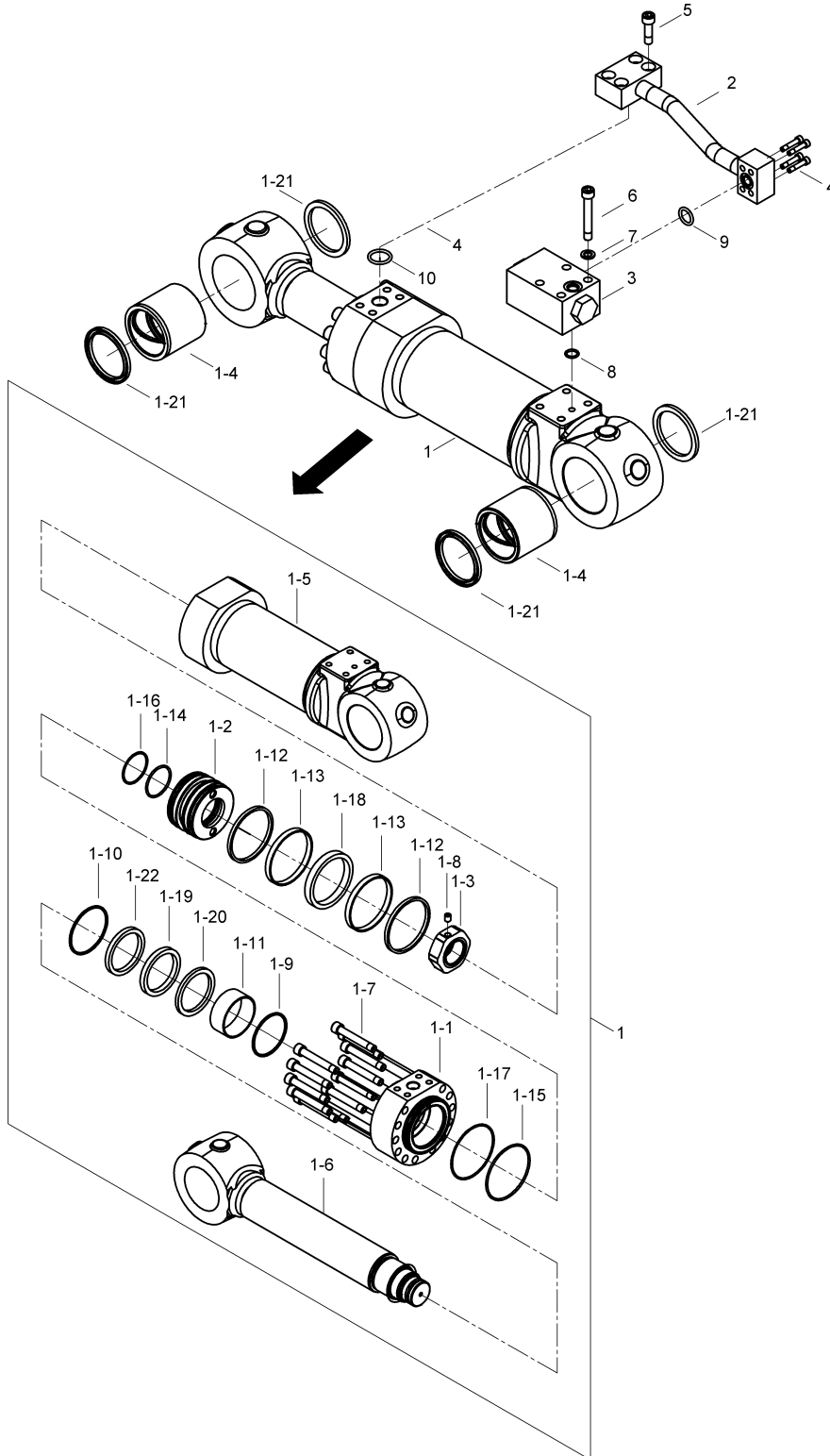
No	Parça No	Parça Adı		Adet	S.K.	Bas.S.N	Bit.S.N	Y.K.	Not
No	Part no	Description		Qty	SC	S/N from	S/N to	ICA	Note
0	H203121701	SİLİNDİR KOMPLESİ, AYAK, SOL	CYLINDER ASS'Y, OUTRIGGER, LH	1					
1	H203120202	SİLİNDİR KOMPLESİ, AYAK-GÖVDE	CYLINDER ASS'Y, OUTRIGGER - BODY	1					
1-1	H203120301	TESİSAT BORUSU K.M.	PIPE W.A.	1					
1-2	H203120802	SİLİNDİR MİLİ K.M.	ROD W.A.	1					
1-3	H203121201	PİSTON	PISTON	1					
1-4	H203121301	SOMUN	NUT	1					M45x2
1-5	H203121401	SERT BURÇ	BUSHING	2					
1-6	H203121101	BOĞAZ	HEAD, CYLINDER	1					
1-7	N015901284	CIVATA	BOLT	12					M12x80
1-8	N043050868	CIVATA	BOLT	1					M8x15
1-9	N05135056	SEGMAN	RETAINING RING	1					
1-10	N05135063	SEGMAN	RETAINING RING	1	K				
1-11	N100007030	BURÇ	BUSHING, HEAD	1					
1-12	N100910006	YATAKLAMA BANDI	WEAR RING	2	K				
1-13	N101910009	YATAKLAMA BANDI	RING, WEAR	2	K				
1-14	N102005203	O-RİNG	O-RING	1	K				
1-15	N102009403	O-RİNG	O-RING	1					
1-16	N102605301	O-RİNG	O-RING	2	K				
1-17	N102610001	O-RİNG	O-RING	1	K				
1-18	N103910012	PİSTON KEÇESİ	PISTON SEAL	1	K				
1-19	N104700009	BOĞAZ KEÇESİ	SEAL, HEAD	1	K				
1-20	N104708506	BOĞAZ KEÇESİ	SEAL, HEAD	1	K				
1-21	N105658005	TOZ KEÇESİ	SEAL DUST	4	K				
1-22	N105708408	TOZ KEÇESİ	SEAL DUST	1	K				
2	H203121801	TESİSAT BORUSU K.M., SAĞ	PIPE W.A., RH	1					
3	H233124801	ÇEK VALF	CHECK VALVE	1					
4	N015890518	CIVATA	BOLT	4					
5	N015890830	CIVATA	BOLT	4					M10x35
6	N015890914	CIVATA	BOLT	4					M10x70
7	N031310011	YAYLI RONDELA	SPRING WASHER	4					M10
8	N102001322	O-RİNG	O-RING	1					
9	N102001803	O-RİNG	O-RING	1					
K	H203124600	TAMİR TAKIMI	SEAL KIT	1					

**DOZER SİLİNDİRİ, SAĞ**  
**DOZER CYLINDER, RH**

**DOZER SİLİNDİRİ, SAĞ**  
**DOZER CYLINDER, RH**

No	Parça No	Parça Adı		Adet	S.K.	Bas.S.N	Bit.S.N	Y.K.	Not
No	Part no	Description		Qty	SC	S/N from	S/N to	ICA	Note
0	H203123501	SİLİNDİR KOMPLESİ, DOZER, SAĞ	CYLINDER ASS'Y, DOZER, RH	1					
1	H203122701	SİLİNDİR KOMPLESİ, DOZER-GÖVDE	CYLINDER ASS'Y, DOZER - BODY	1					
1-1	H203121101	BOĞAZ	HEAD, CYLINDER	1					
1-2	H203121201	PISTON	PISTON	1					
1-3	H203121301	SOMUN	NUT	1					
1-4	H203121401	SERT BURÇ	BUSHING	2					
1-5	H203122801	TESİSAT BORUSU K.M.	PIPE W.A.	1					
1-6	H203123101	SİLİNDİR MİLİ K.M.	ROD W.A.	1					
1-7	N015901284	CIVATA	BOLT	12					M12x80
1-8	N043050868	CIVATA	BOLT	1					M8x15
1-9	N05135056	SEGMAN	RETAINING RING	1					
1-10	N05135063	SEGMAN	RETAINING RING	1	K				
1-11	N100007030	BURÇ	BUSHING, HEAD	1					
1-12	N10091006	YATAKLAMA BANDI	WEAR RING	2	K				
1-13	N101910009	YATAKLAMA BANDI	RING, WEAR	2	K				
1-14	N102005203	O-RİNG	O-RING	1	K				
1-15	N102009603	O-RİNG	O-RING	1					
1-16	N102605301	O-RİNG	O-RING	2	K				
1-17	N102610001	O-RİNG	O-RING	1	K				
1-18	N103910012	PISTON KEÇESİ	PISTON SEAL	1	K				
1-19	N104700009	BOĞAZ KEÇESİ	SEAL, HEAD	1	K				
1-20	N104708506	BOĞAZ KEÇESİ	SEAL, HEAD	1	K				
1-21	N105658005	TOZ KEÇESİ	SEAL DUST	4	K				
1-22	N105708408	TOZ KEÇESİ	SEAL DUST	1	K				
2	H203123301	TESİSAT BORUSU K.M.	PIPE W.A.	1					
3	H233124901	ÇEK VALF	CHECK VALVE	1					
4	N015890518	CIVATA	BOLT	4					M8x40
5	N015890830	CIVATA	BOLT	4					M10x35
6	N015890914	CIVATA	BOLT	4					M10x70
7	N031310011	YAYLI RONDELA	SPRING WASHER	4					M10
8	N102001322	O-RİNG	O-RING	1					
9	N102001803	O-RİNG	O-RING	1					
10	N102002435	O-RİNG	O-RING	1					
K	H203124600	TAMİR TAKIMI	SEAL KIT	1					

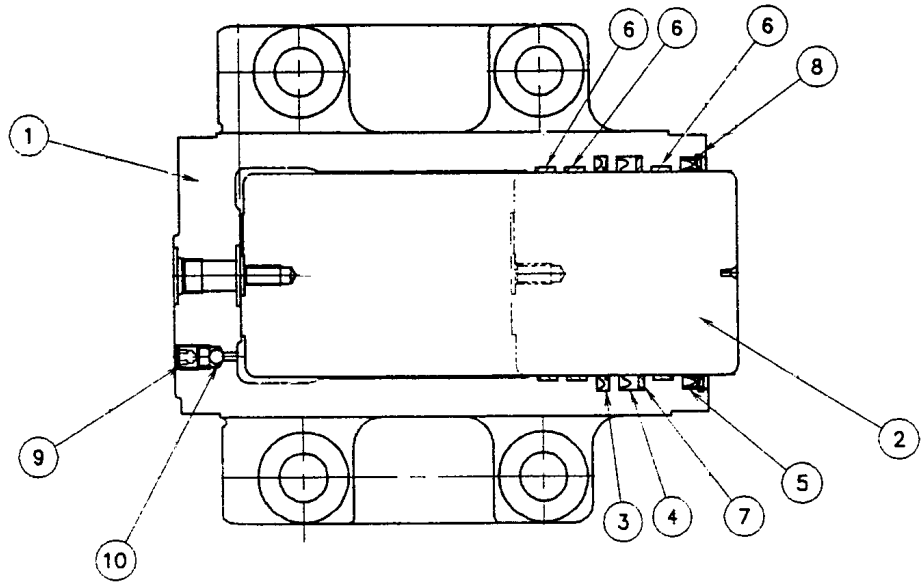
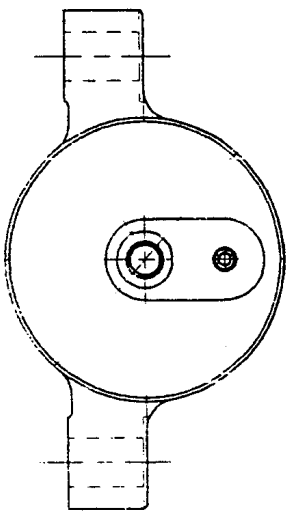
### DOZER SİLİNDİRİ, SOL DOZER CYLINDER, LH



**DOZER SİLİNDİRİ, SOL**  
**DOZER CYLINDER, LH**

No	Parça No	Parça Adı	Adet	S.K.	Bas.S.N	Bit.S.N	Y.K.	Not
No	Part no	Description	Qty	SC	S/N from	S/N to	ICA	Note
0	H203122601	SİLİNDİR KOMPLESİ, DOZER, SOL	1					
1	H203122701	SİLİNDİR KOMPLESİ, DOZER-GÖVDE	1					
1-1	H203121101	BOĞAZ	1					
1-2	H203121201	PISTON	1					
1-3	H203121301	SOMUN	1					
1-4	H203121401	SERT BURÇ	2					
1-5	H203122801	TESİSAT BORUSU K.M.	1					
1-6	H203123101	SİLİNDİR MİLİ K.M.	1					
1-7	N015901284	CIVATA	12					M12x80
1-8	N043050868	CIVATA	1					M8x15
1-9	N05135056	SEGMAN	1					
1-10	N05135063	SEGMAN	1	K				
1-11	N100007030	BURÇ	1					
1-12	N10091006	YATAKLAMA BANDI	2	K				
1-13	N101910009	YATAKLAMA BANDI	2	K				
1-14	N102005203	O-RİNG	1	K				
1-15	N102009603	O-RİNG	1					
1-16	N102605301	O-RİNG	2	K				
1-17	N102610001	O-RİNG	1	K				
1-18	N103910012	PISTON KEÇESİ	1	K				
1-19	N104700009	BOĞAZ KEÇESİ	1	K				
1-20	N104708506	BOĞAZ KEÇESİ	1	K				
1-21	N105658005	TOZ KEÇESİ	4	K				
1-22	N105708408	TOZ KEÇESİ	1	K				
2	H203123601	TESİSAT BORUSU K.M.	1					
3	H233124801	ÇEK VALF	1					
4	N015890518	CIVATA	4					M8x40
5	N015890830	CIVATA	4					M10x35
6	N015890914	CIVATA	4					M10x70
7	N031310011	YAYLI RONDELA	4					M10
8	N102001322	O-RİNG	1					
9	N102001803	O-RİNG	1					
10	N102002435	O-RİNG	1					
K	H203124600	TAMİR TAKIMI	1					

**OSİLASYON SİLİNDİRİ**  
**OSCILLATING CYLINDER**





**OSİLASYON SİLİNDİRİ  
OSCILLATING CYLINDER**

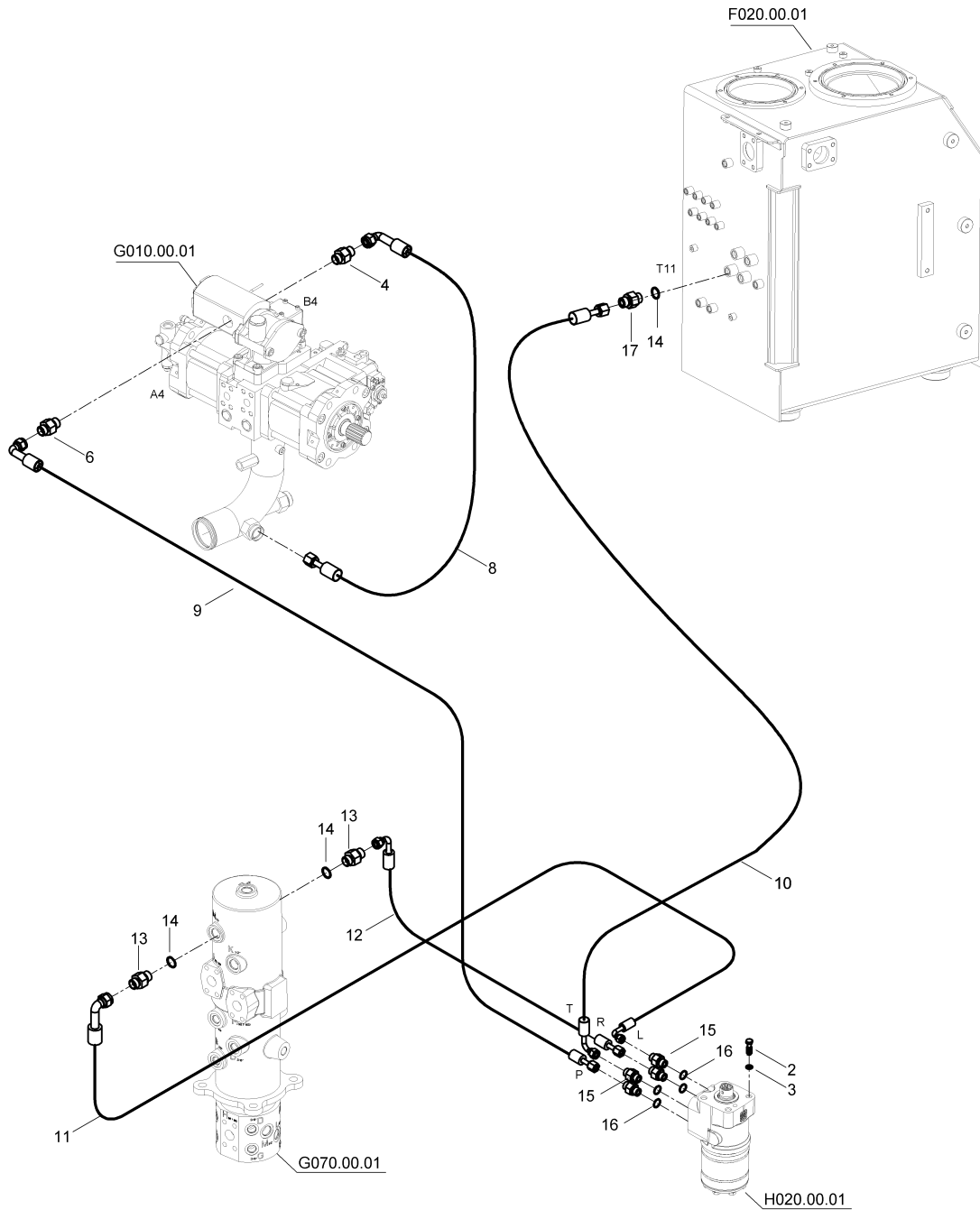
No	Parça No	Parça Adı		Adet	S.K.	Bas.S.N	Bit.S.N	Y.K.	Not
No	Part no		Description	Qty	SC	S/N from	S/N to	ICA	Note
0	H233100100	SİLİNDİR KOMPLESİ, OSİLASYON	CYLINDER ASS'Y, OSCILLATING	1					
1	H239031001	SİLİNDİR GÖVDESİ	CYLINDER BODY	1					
2	H239031002	SİLİNDİR MİLİ K.M.	CYLINDER ROD W.A.	1					
3	H239031003	TAMPON KEÇE	BUFFER RING	1					
4	H239031004	KEÇE, U-PACKING	U-PACKING	1					
5	H239031005	TOZ KEÇESİ	SEAL DUST	1	K				
6	H239031006	YATAKLAMA BANDI	WEAR RING	3	K				
7	H239031007	BACK-UP RİNG	BACK UP RING	1	K				
8	H239031008	SEGMAN	RING RETAINER	1					
9	H239031009	SETSKUR	SCREW SET	1					
10	H239031010	BİLYE	BALL	1					
K	H239031011	KEÇE TAKIMI	SEAL KIT						

# H - DİREKSİYON SİSTEMİ

## H - STEERING SYSTEM

Sayfa No / Page No	Sayfa Adı	Page Name	Revizyon / Revision
H010.00.01	DİREKSİYON HİDROLİK TESİSATI	STEERING HYD. PIPING	
H020.00.01	DİREKSİYON ÜNİTESİ	STEERING UNIT	

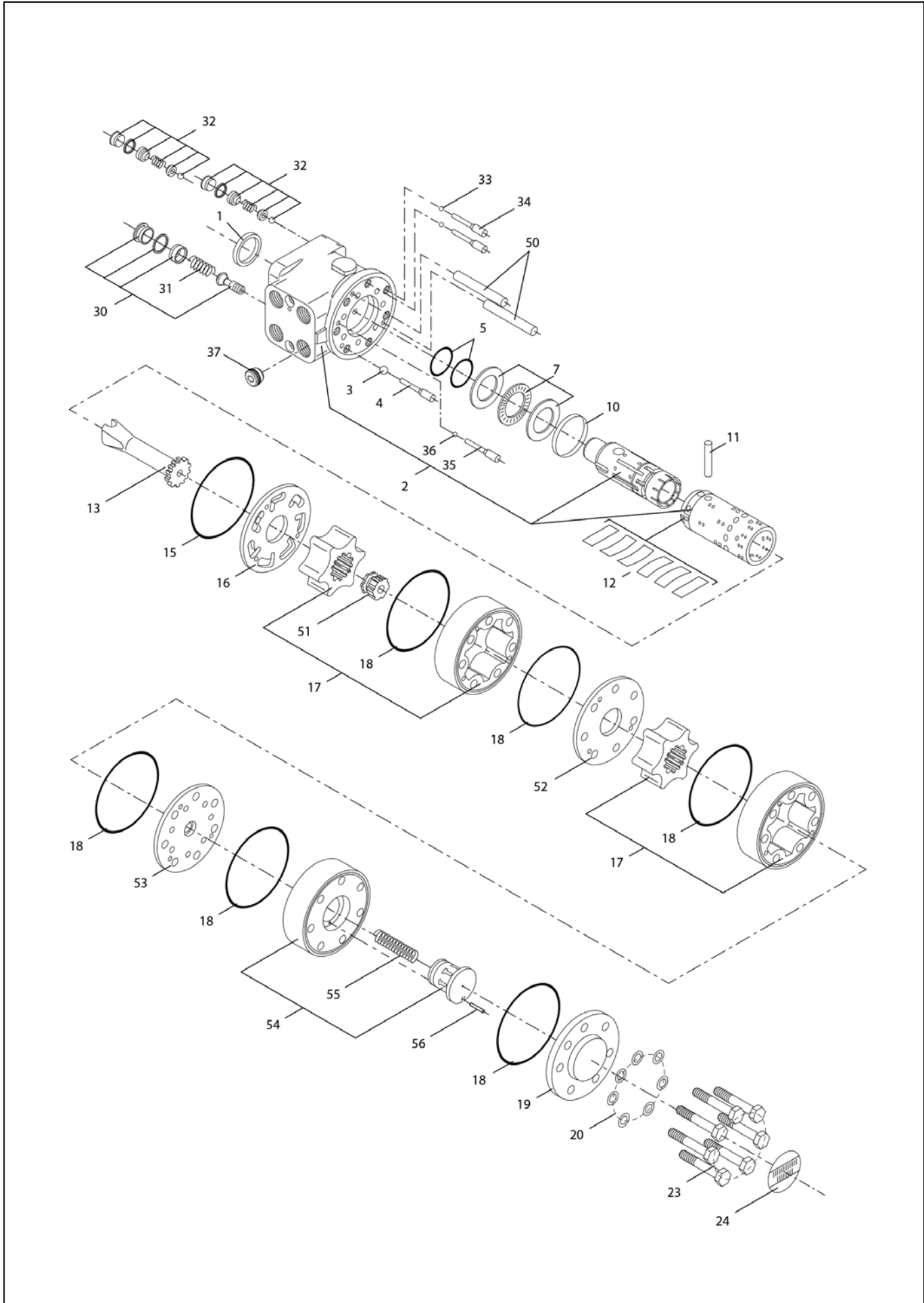
### DİREKSİYON HİDROLİK TESİSATI STEERING HYD. PIPING



**DİREKSİYON HİDROLİK TESİSATI  
STEERING HYD. PIPING**

No	Parça No	Parça Adı		Adet	S.K.	Bas.S.N	Bit.S.N	Y.K.	Not
No	Part no		Description	Qty	SC	S/N from	S/N to	ICA	Note
2	N015890794	CIVATA	BOLT	4					M10x20
3	N031360010	YAYLI RONDELA	SPRING WASHER	4					M10
4	N16K550305	NIPEL	ADAPTER	1					
6	N16K550306	NIPEL	ADAPTER	1					
8	99Q095214	HORTUM KOMPLESİ	HOSE ASS'Y	1					
9	99Q093376	HORTUM KOMPLESİ	HOSE ASS'Y	1					
10	99Q093273	HORTUM KOMPLESİ	HOSE ASS'Y	1					
11	99Q093432	HORTUM KOMPLESİ	HOSE ASS'Y	1					
12	99Q093435	HORTUM KOMPLESİ	HOSE ASS'Y	1					
13	N16K114343	NIPEL	ADAPTER	2					
14	N102001724	O-RİNG	O-RING	2					
15	N16K310373	NIPEL	ADAPTER	4					
16	N102001622	O-RİNG	O-RING	4					
17	N16K114343	NIPEL	ADAPTER	1					

**DİREKSİYON ÜNİTESİ  
STEERING UNIT**



## DİREKSİYON ÜNİTESİ STEERING UNIT

No	Parça No	Parça Adı		Adet	S.K.	Bas.S.N	Bit.S.N	Y.K.	Not
No	Part no	Description		Qty	SC	S/N from	S/N to	ICA	Note
0	H203500601	DİREKSİYON ÜNİTESİ KOMPLESİ	STEERING UNIT ASS'Y	1					
1	H239088001	TOZ KEÇESİ	SEAL DUST	1	K				
2	H239088002	GÖVDE-KOVAN-SÜRGÜ KOMPLESİ	HOUSING, SPOOL, SLEEVE	1					
3	H239088003	BİLYE	BALL	1					
4	H239088004	BURÇ	THREAD BUSH. WITH PIN	1					
5	H239088005	KEÇE, ŞAFT	SHAFT SEAL	1	K				
7	H239088007	RULMAN	BEARING	1					
10	H239088010	SEGMAN	RING	1					
11	H239088011	PİM	CROSS PIN	1					
12	H239088012	YAY SETİ	SET OF SPRINGS	1					
13	H239088013	KARDAN MİLİ	CARDAN SHAFT	1					
15	H239088015	O-RİNG	O-RING	1	K				
16	H239088016	DAĞITICI PLAKA	DISTRIBUTOR PLATE	1					
17	H209088001	DİŞLİ ÇARK SETİ	GEAR WHEEL SET	1					
18	H239088018	O-RİNG	O-RING	6	K				
19	H239088019	ÇIKIŞ KAPAĞI	END COVER	1					
20	H239088020	PUL	WASHER	1	K				
23	H209088002	CIVATA	SCREWS	1					
24	H239088024	ETİKET	NAME PLATE	1					
30	H239088030	EMNİYET VALFİ	RELIEF VALVE	1					
31	H239088031	YAY	SPRING, RELIEF VALVE	1					
32	H239088032	ŞOK VALFİ KOMPLESİ	SHOCK VALVE COMP.	2					
33	H239088033	BİLYE	BALL	2					
34	H239088034	PİM	PIN	2					
35	H239088035	CIVATA	SCREW, CHECK VALVE	1					
36	H239088036	BİLYE	BALL, CHECK VALVE	1					
37	H239088037	ÇEK VALF	CHECK VALVE	1					
50	H209088003	PİM	MOUNTING PIN	2					
51	H239088051	KARDAN MİLİ	CARDAN SHAFT	1					
52	H239088052	DAĞITICI PLAKA	DISTRIBUTOR PLATE	1					
53	H239088053	DAĞITICI PLAKA	DISTRIBUTOR PLATE	1					
54	H239088054	VALF VE VALF YUVASI	VALVE&VALVE HOUSING	1					
55	H239088055	YAY	SPRING	1					
56	H239088056	KILAVUZ PİM	GUIDE PIN	1					
K	H239088065	KEÇE TAKIMI	SEAL OF SEALS	1					

# J - FREN SİSTEMİ

## J - BRAKE SYSTEM

Sayfa No / Page No	Sayfa Adı	Page Name	Revizyon / Revision
J010.00.01	FREN HİDROLİK TESİSATI, ÜST	BRAKE HYD. PIPING, UPPER	
J020.00.01	FREN HİDROLİK TESİSATI, ALT	BRAKE HYD. PIPING, LOWER	
J030.00.01	FREN VALFİ	BRAKE VALVE	
J040.00.01	FREN AKÜMÜLATÖR ŞARJ VALFİ	BRAKE SUPPLY VALVE	





**FREN HİDROLİK TESİSATI, ÜST  
BRAKE HYD. PIPING, UPPER**

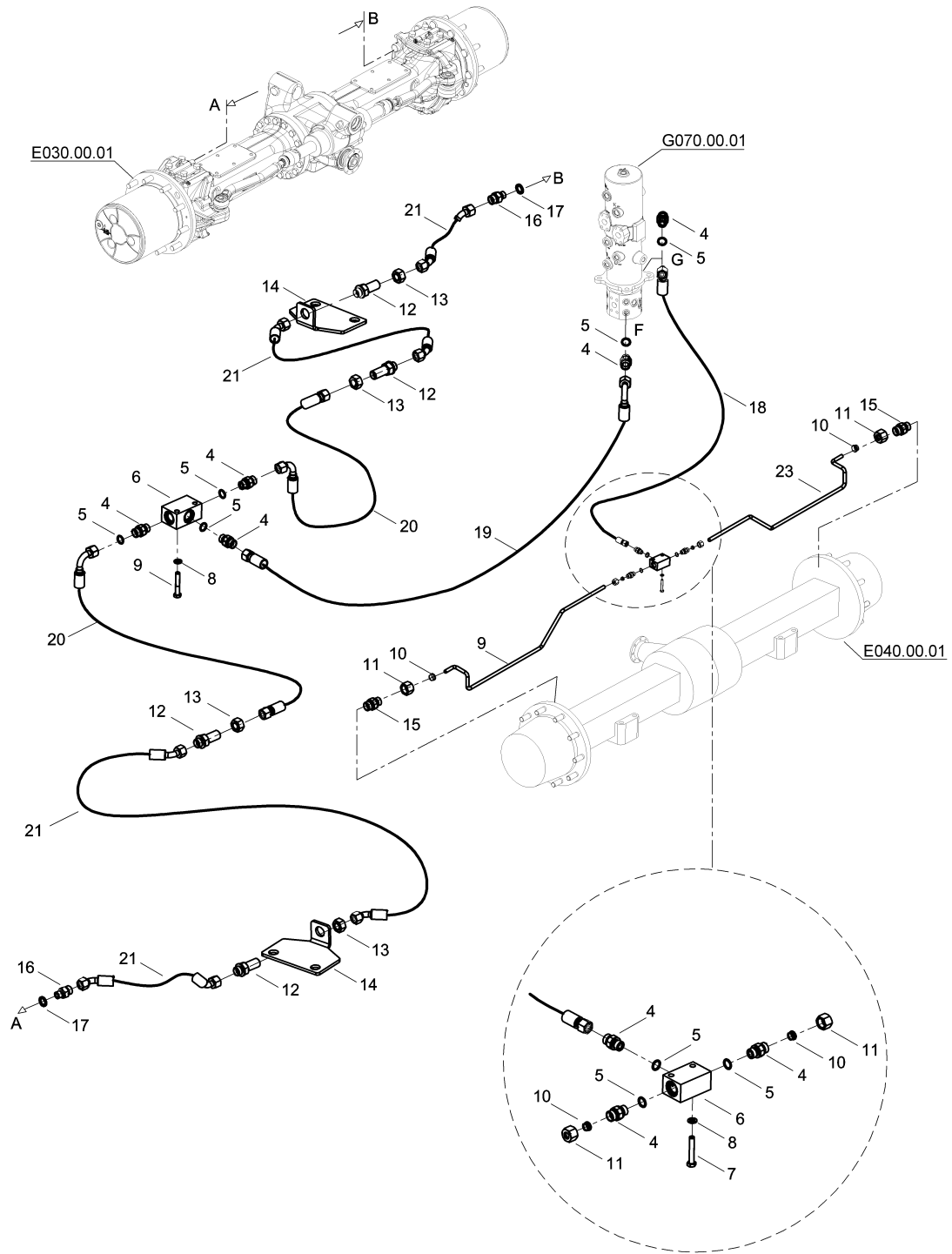
No	Parça No	Parça Adı		Adet	S.K.	Bas.S.N	Bit.S.N	Y.K.	Not
No	Part no	Description		Qty	SC	S/N from	S/N to	ICA	Note
2	N010380722	CIVATA	BOLT	2					M10x80
3	N031310011	YAYLI RONDELA	SPRING WASHER	2					M10
4	N16K114354	NIPEL	ADAPTER	2					
5	N102001724	O-RİNG	O-RING	2					
6	N16K114342	NIPEL	ADAPTER	2					
7	N102001322	O-RİNG	O-RING	2					
8	N16K114343	NIPEL	ADAPTER	6					
9	N102001724	O-RİNG	O-RING	6					
11	N102001724	O-RİNG	O-RING	1					
12	H233510802	MÜŞİR, BASINÇ	SWITCH, PRESSURE	2					5 BAR
14	N015890470	CIVATA	BOLT	4					M8x25
15	N031310010	YAYLI RONDELA	SPRING WASHER	4					M8
16	N16K114342	NIPEL	ADAPTER	4					
17	N102001322	O-RİNG	O-RING	4					
18	N16N910002	DİRSEK	ELBOW	1					90'
19	N102001322	O-RİNG	O-RING	2					
20	H233511001	MÜŞİR, BASINÇ	SWITCH, PRESSURE	1					5 BAR
21	N16K550303	NIPEL	ADAPTER	1					
22	N102701801	KARE RİNG	SQUARE RING	1					
23	99U093357	HORTUM KOMPLESİ	HOSE ASS'Y	1					
24	99V093320	HORTUM KOMPLESİ	HOSE ASS'Y	1					
25	H203510500	FİLTRE KOMPLESİ, FREN	FILTER ASS'Y, BRAKE	1					
25-1	H209072001	FİLTRE ELEMANI	FILTER, BRAKE	1					
26	H203510600	BAĞLANTI SACI	PLATE	1					
27	N015890878	CIVATA	BOLT	2					
28	N16K114342	NIPEL	ADAPTER	2					
29	N102001322	O-RİNG	O-RING	2					
30	99L093244	HORTUM KOMPLESİ	HOSE ASS'Y	1					
31	97Q092247	HORTUM KOMPLESİ	HOSE ASS'Y	1					
32	97Q092247	HORTUM KOMPLESİ	HOSE ASS'Y	1					
33	N16K114342	NIPEL	ADAPTER	2					
34	N102001322	O-RİNG	O-RING	2					
35	97T092337	HORTUM KOMPLESİ	HOSE ASS'Y	1					
36	97Q092333	HORTUM KOMPLESİ	HOSE ASS'Y	1					
37	H233510700	AKÜMÜLATÖR	ACCUMULATOR, BRAKE	2					5 BAR
38	N030000015	O-RİNGLİ PUL	WASHER	2					
39	N16K520107	NIPEL	ADAPTER	2					
40	N102001322	O-RİNG	O-RING	2					
41	H343202600	BLOK, AKÜMÜLATÖR	BLOCK, ACCUMULATOR	2					
42	N010380650	CIVATA	BOLT	4					M10x50
43	N031310011	YAYLI RONDELA	SPRING WASHER	4					M10
44	N16K114341	NIPEL	ADAPTER	2					
45	N102001024	O-RİNG	O-RING	2					
46	N030810001	PUL	WASHER	2					
47	99Q092338	HORTUM KOMPLESİ	HOSE ASS'Y	2					
48	97Q091318	HORTUM KOMPLESİ	HOSE ASS'Y	1					
49	N16K114342	NIPEL	ADAPTER	1					
50	97Q091323	HORTUM KOMPLESİ	HOSE ASS'Y	1					
51	F9970100	MANOMETRE PRİZİ	COUPLING, PRESSURE	1					



**FREN HİDROLİK TESİSATI, ÜST  
BRAKE HYD. PIPING, UPPER**

No	Parça No	Parça Adı	Description	Adet	S.K.	Bas.S.N	Bit.S.N	Y.K.	Not
No	Part no			Qty	SC	S/N from	S/N to	ICA	Note
52	H203510800	SAPLAMA KOMPLESİ	STUD ASS'Y	2					
53	H233512100	NIPEL	ADAPTER	2					
54	N102001322	O-RİNG	O-RING	2					
55	H343203500	NIPEL	ADAPTER	2					
56	N102001024	O-RİNG	O-RING	2					
57	H233516000	MÜŞİR, BASINÇ	SWITCH, PRESSURE	1					40 BAR
58	H203510300	DESTEK SACI K.M.	SUPPORT PLATE W.A.	1					
59	N030560002	PUL	WASHER	2					
60	N010232438	CIVATA	BOLT	2					

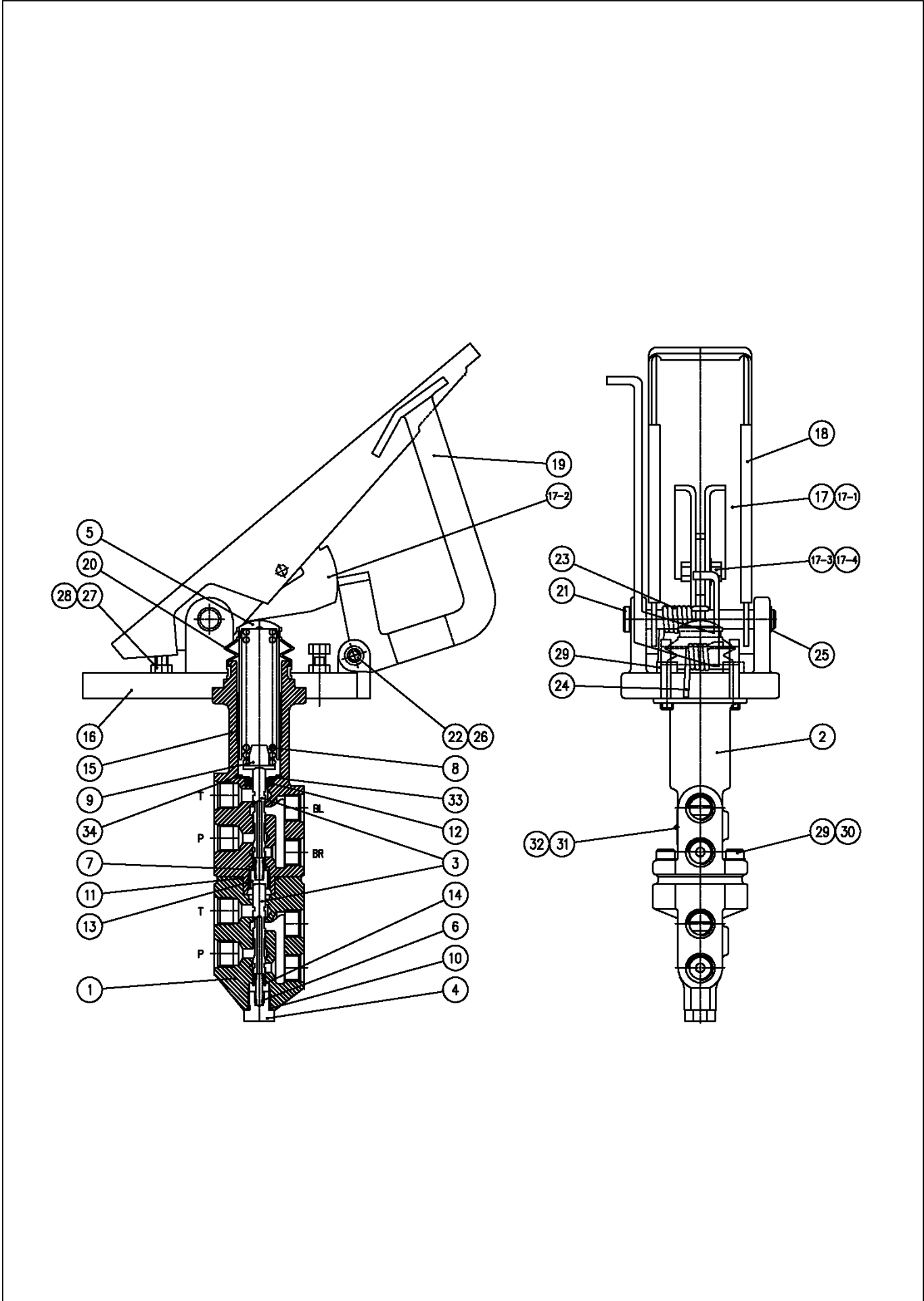
### FREN HİDROLİK TESİSATI, ALT BRAKE HYD. PIPING, LOWER



**FREN HİDROLİK TESİSATI, ALT  
BRAKE HYD. PIPING, LOWER**

No	Parça No	Parça Adı		Adet	S.K.	Bas.S.N	Bit.S.N	Y.K.	Not
No	Part no	Description		Qty	SC	S/N from	S/N to	ICA	Note
4	N16K114342	NIPEL	ADAPTER	6					
5	N102001322	O-RİNG	O-RING	6					
6	H233110200	BLOK, ÖN FREN	BLOCK, FRONT BRAKE	2					
7	N010380410	CIVATA	BOLT	4					M8x50
8	N031310010	YAYLI RONDELA	SPRING WASHER	4					M8
9	H203110800	BORU, FREN	PIPE, BRAKE	1					
10	N183570192	YÜKSÜK	RING	4					M18x1.5
11	N173570192	YÜKSÜKLÜ SOMUN	NUT	4					M18x1.5
12	N16K200302	NIPEL	ADAPTER	4					
13	N023570350	SOMUN	NUT	4					M18x1.5
14	H203110600	FREN SACI, ÖN	BRACKET, BRAKE, FRONT	2					
15	H203110700	NIPEL	ADAPTER	2					
16	N16K214453	NIPEL	ADAPTER	2					
17	N102001024	O-RİNG	O-RING	2					
18	97Q092223	HORTUM KOMPLESİ	HOSE ASS'Y	1					
19	97Q092220	HORTUM KOMPLESİ	HOSE ASS'Y	1					
20	99Q092213	HORTUM KOMPLESİ	HOSE ASS'Y	2					
21	99H192211	HORTUM KOMPLESİ	HOSE ASS'Y	4					
23	H203111100	BORU, FREN	PIPE, BRAKE	1					

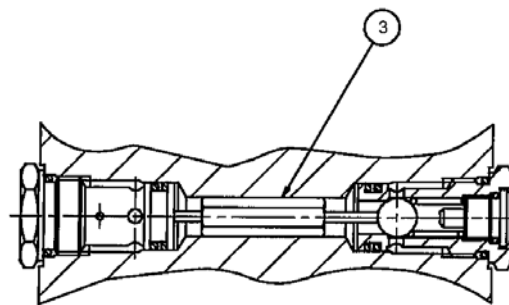
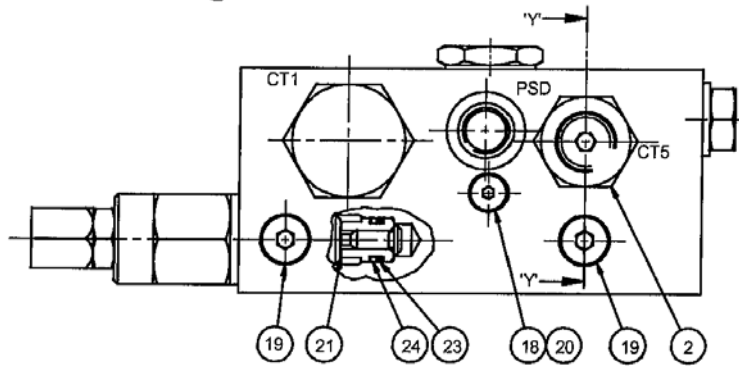
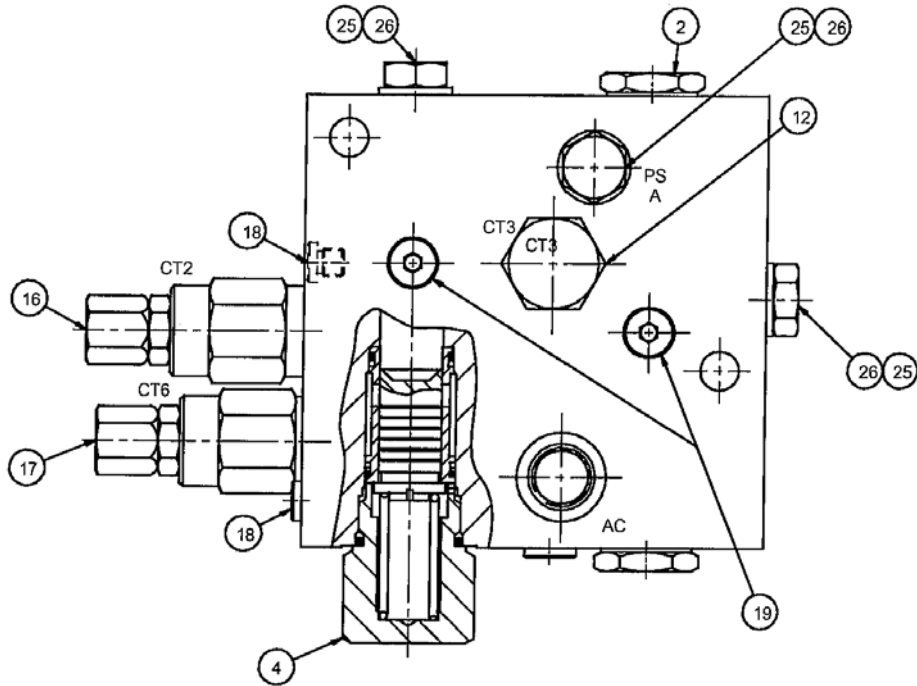
**FREN VALFI  
BRAKE VALVE**



## FREN VALFİ BRAKE VALVE

No	Parça No	Parça Adı		Adet	S.K.	Bas.S.N	Bit.S.N	Y.K.	Not
No	Part no	Description		Qty	SC	S/N from	S/N to	ICA	Note
0	H233510301	FREN PEDAL VALFİ KOMPLESİ	FOOT BRAKE VALVE	1					
1	H239044001	ALT GÖVDE	BODY, LOWER	1					
2	H239044002	ÜST GÖVDE	BODY, UPPER	1					
3	H239044003	SÜRGÜ	SPOOL	2					
4	H239044004	TAPA	PLUG	1					
5	H239044005A	TUTUCU	HOLDER	1	K				
6	H239044006	YAY	SPRING, LOWER	1					
7	H239044007	YAY	SPRING, UPPER	1					
8	H239044008A	YAY	MAIN SPRING	1					
9	H239044009A	YAY TUTUCU	SPRING RETAINER	1					
10	H239044010	O-RİNG	O-RING	1					
11	H239044011	O-RİNG	O-RING	1					
12	H239044012	KEÇE, YAĞ	OIL SEAL	1					
13	H239044013	KILAVUZ	S/P GUIDE	1					
14	H239044014	SEGMAN	C TYPE RING RETAINER	2					
15	H239044015	BURÇ	DU BUSH	1					
16	H239044016A	PEDAL SACI	PEDAL PLATE	1					
17	H239044017	PEDAL KOMPLESİ	PEDAL ASS'Y	1					
17-1	H239044018	PEDAL	PEDAL	1					
17-2	H239044019A	KİLİT SACI	LOCK PLATE	1	K				
17-3	H239044020	CIVATA	BOLT	1					
17-4	H239044021	PUL	PLAT WASHER	1					
19	H239044023A	MANDAL	LATCH	1					
20	H239044044	KÖRÜK	RUBBER COVER	1					
21	H239044025	PİM	LOCK PIN 1	1					
22	H239044026	PİM	LOCK PIN 2	1					
23	H239044027	YAY	TORSION SPRING 1	1					
24	H239044028A	YAY	TORSION SPRING 2	1					
25	H239044029	SEGMAN	C TYPE RING RETAINER	1					
26	H239044030	SEGMAN	E-RING	1					
27	H239044031	CIVATA	BOLT	2					
28	H239044032	SOMUN	NUT	2					
29	H239044033	CIVATA	BOLT	2					
30	H239044034	YAYLI RONDELA	SPRING WASHER	4					
31	H239044036A	ETİKET	NAME PLATE	1					
32	H239044037	VİDA	DRIVE SCREW	2					
33	H239044038	PUL	PLAT WASHER	1					
34	H239044039	SEGMAN	C TYPE RING RETAINER	1					
K	H239044045	TUTUCU VE KİLİT SACI	HOLDER&LOCK PLATE	1					

### FREN AKÜMÜLATÖR ŞARJ VALFİ BRAKE SUPPLY VALVE



SECTION "Y-Y"



**FREN AKÜMÜLATÖR ŞARJ VALFİ**  
**BRAKE SUPPLY VALVE**

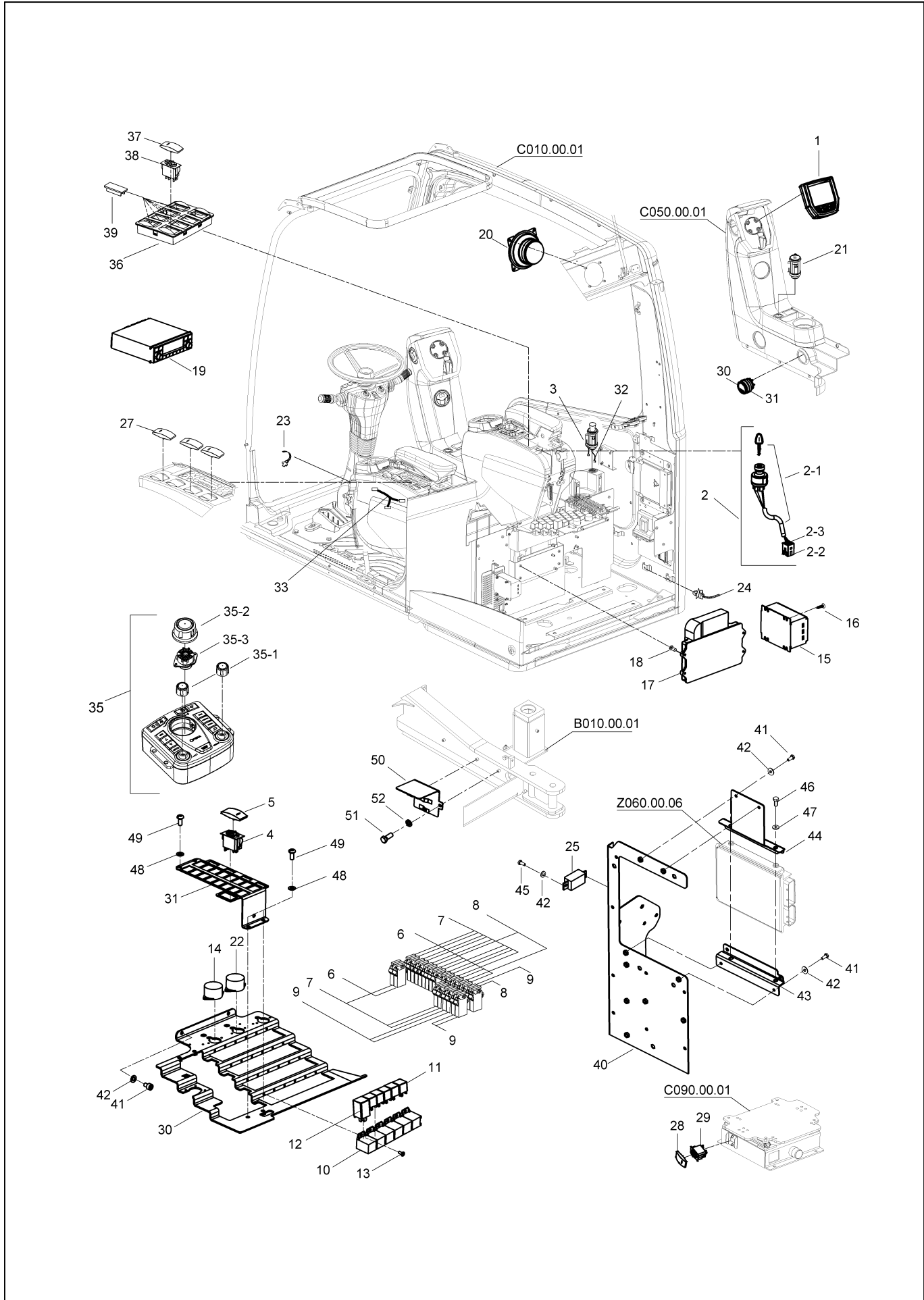
No	Parça No	Parça Adı		Adet	S.K.	Bas.S.N	Bit.S.N	Y.K.	Not
No	Part no		Description	Qty	SC	S/N from	S/N to	ICA	Note
0	H233510200	FREN AKÜMÜLATÖR ŞARJ VALFİ	BRAKE SUPPLY VALVE	1					
2	H239043201	ÇEK VALF	CHECK VALVE	2					
3	H239043202	SÜRGÜ	SPOOL	1					
4	H239043203	KİT	PARTS KIT	1					
12	H239043204	ÇEK VALF	CHECK VALVE	1					
16	H239043205	EMNİYET VALFİ	RELIEF VALVE	1					
17	H239043206	YÜKSÜZLEŞTİRME VALFİ	UNLOADER VALVE	1					
18	H239043207	TAPA	PLUG	3					
19	H239043208	TAPA	PLUG	4					
20	H239043209	TAPA	ORIFICE PLUG	1					
21	H239043210	YUVA	HONED ASS'Y	1					
23	H239043211	O-RİNG	O-RING	1					
24	H239043212	BACK-UP RİNG	BACK-UP RING	1					
25	H239043213	KÖR TAPA	BLANKING PLUG	3					
26	H239043214	O-RİNG	O-RING	3					

# K - ELEKTRİK SİSTEMİ

## K - ELECTRICAL SYSTEM

Sayfa No / Page No	Sayfa Adı	Page Name	Revizyon / Revision
K010.00.01	ELEKTRİK PARÇALARI (1)	ELECTRIC PARTS (1)	
K010.00.01	ELEKTRİK PARÇALARI (1)	ELECTRIC PARTS (1)	R1
K010.00.02	ELEKTRİK PARÇALARI (2)	ELECTRIC PARTS (2)	
K020.00.01	ANA ELEKTRİK TESİSATI	MAIN HARNESS	
K030.00.01	MOTOR ELEKTRİK TESİSATI, ŞASI	ENGINE HARNESS, FRAME	
K040.00.01	KABİN ELEKTRİK TESİSATI	OPERATOR CAB HARNESS	
K050.00.01	KABİN İÇİ ELEKTRİK TESİSATI	OPERATOR CAB INTERIOR HARNESS	
K060.00.01	TEPE LAMBASI (OP)	BEACON LAMP MOUNTING (OP)	
K070.00.01	ÖN ÇALIŞMA LAMBASI MONTAJI (OP)	WORK LAMP MOUNTING, FRONT (OP)	
K080.00.01	ARKA ÇALIŞMA LAMBASI MONTAJI (OP)	WORK LAMP MOUNTING, REAR (OP)	
K090.00.01	ARKA AĞIRLIK ÇALIŞMA LAMBASI MONTAJI (OP)	WORK LAMP MOUNTING, COUNTER WEIGHT (OP)	
K100.00.01	SMARTLİNK (OP)	SMARTLINK (OP)	
K110.00.01	IMMOBİLİZER (OP)	IMMOBILIZER (OP)	
K120.00.01	KAMERA MONTAJI, ARKA GÖRÜŞ (OP)	CAMERA MOUNTING, REAR VIEW (OP)	

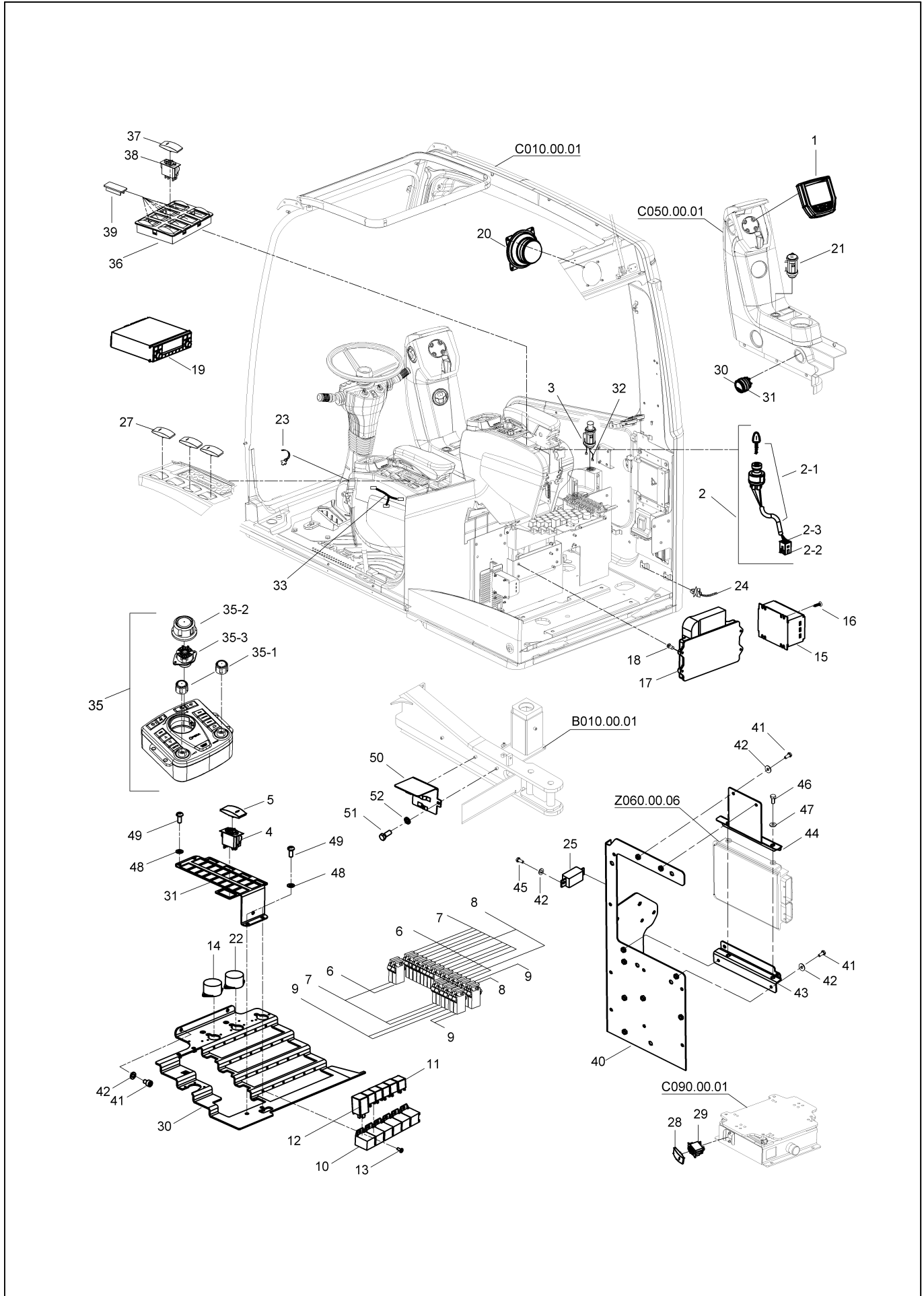
**ELEKTRİK PARÇALARI (1)**  
**ELECTRIC PARTS (1)**



**ELEKTRİK PARÇALARI (1)**  
**ELECTRIC PARTS (1)**

No	Parça No	Parça Adı		Adet	S.K.	Bas.S.N	Bit.S.N	Y.K.	Not
No	Part no	Description		Qty	SC	S/N from	S/N to	ICA	Note
1	H348021801	KUMANDA PANELİ, TFT	INSTRUMENT PANEL, TFT	1					
2	H348025510	KONTAK ANAHTARI	STARTER SWITCH	1					DJ052
2	H348025511	KONTAK ANAHTARI	STARTER SWITCH	1					DJ053
2	H348025512	KONTAK ANAHTARI	STARTER SWITCH	1					DJ054
2	H348025513	KONTAK ANAHTARI	STARTER SWITCH	1					DJ055
2	H348025514	KONTAK ANAHTARI	STARTER SWITCH	1					DJ056
2-1	H348025503	KONTAK ANAHTARI	STARTER SWITCH	1					DJ052
2-1	H348025504	KONTAK ANAHTARI	STARTER SWITCH	1					DJ053
2-1	H348025505	KONTAK ANAHTARI	STARTER SWITCH	1					DJ054
2-1	H348025506	KONTAK ANAHTARI	STARTER SWITCH	1					DJ055
2-1	H348025507	KONTAK ANAHTARI	STARTER SWITCH	1					DJ056
2-2	50614110	KONNEKTÖR, DIŞİ, 4'LÜ	CONNECTOR, FEMALE, 4 PIN	1					
2-3	50614120	TERMİNAL	TERMINAL	1					
3	H348002002	ÇAKMAK	LIGHTER, CIGAR	1					
4	52021110	ANAHTAR	SWITCH	1					
5	52031230	DÜĞME, OTO/MANUEL	BUTTON, AUTO/MANUEL	1					
6	52705500	SİGORTA	FUSE	7					
7	52706050	SİGORTA	FUSE	16					
8	52706100	SİGORTA	FUSE	5					
9	52706200	SİGORTA	FUSE	7					
10	H348007100	RÖLE YUVASI	RELAY HOUSING	8					
11	H348015400	RÖLE	RELAY	8					24V
12	H238005500	RÖLE, FLAŞÖR	RELAY, FLASHER	1					
13	N015870014	CIVATA	BOLT	8					
14	H348007200	İKAZ ZİLİ	BUZZER	1					24V
15	H348007501	VOLTAJ ÇEVİRİCİ	CONVERTOR	1					
16	N015870037	CIVATA	BOLT	4					
17	H348025603	KONTROL ÜNİTESİ, MAKİNE (MCU)	CONTROL UNIT, MACHINE (MCU)	1					M4x12
18	N049561280	VİDA	SCREW	4					
19	H348026001	CD ÇALAR	CD PLAYER	1					M5x12
20	F9925256	HOPARLÖR	SPEAKER	1					
21	H348026201	PRİZ	SOCKET	1					
22	52803000	KORNA, BUZZER	BUZZER	1					
23	51001510	KABLO BAĞI	TIE, CABLE	2					
24	51001810	KABLO BAĞI	TIE, CABLE	30					
25	H349060015	KONTROL ÜNİTESİ, SİLECEK	CONTROL UNIT, WIPER	1					
27	52036000	KAPAK	COVER	3					
28	52031240	DÜĞME, ACİL STOP	BUTTON, EMERGENCY	1					
29	52021020	ANAHTAR	SWITCH	1					
30	H258009001	ÇALIŞMA SAATİ	HOURLY METER	1					
31	H258009100	BİLEZİK	RING, HOURLY METER	1					
32	H348026101	ELEKTRİK TESİSATI, ÇAKMAK	HARNESS, LIGHTER	1					
33	H348002503	ELEKTRİK TESİSATI, EMNİYET KİLİDİ	HARNESS, SAFETY LOCK	1					
35	H238021301	OPERA KUMANDA KOMPLESİ	OPERA CONTROL ASS'Y	1					
35-1	H906113700	TOPUZ	KNOB	2					
35-2	H906114100	TOPUZ	KNOB	1					
35-3	H348021501	POTANSİYOMETRE, MOTOR DEVRİ	POTENTIOMETER, THROTTLE CONTROL	1					

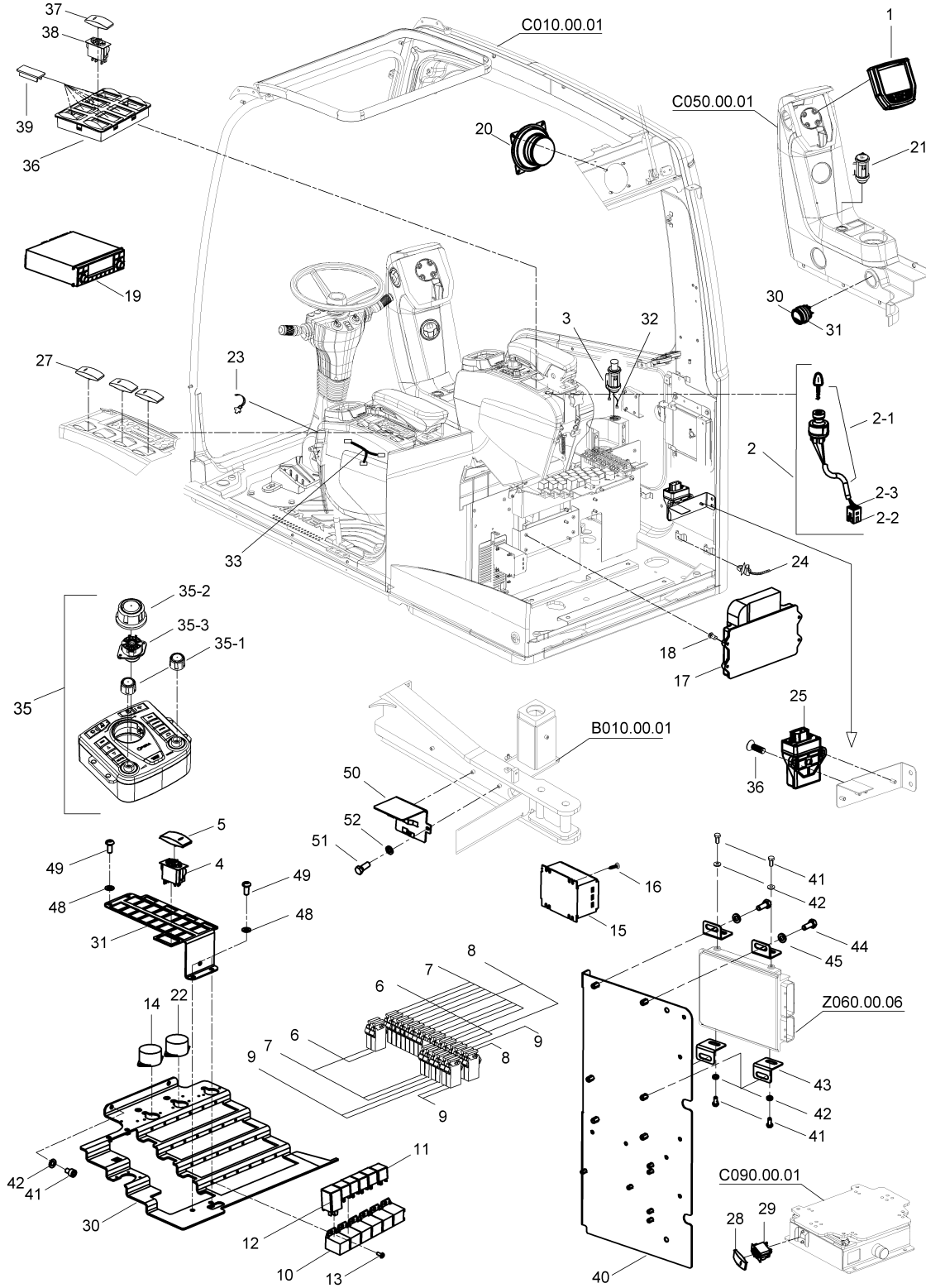
**ELEKTRİK PARÇALARI (1)**  
**ELECTRIC PARTS (1)**



**ELEKTRİK PARÇALARI (1)**  
**ELECTRIC PARTS (1)**

No	Parça No	Parça Adı		Adet	S.K.	Bas.S.N	Bit.S.N	Y.K.	Not
No	Part no	Description		Qty	SC	S/N from	S/N to	ICA	Note
36	H906110900	PANEL, DÜĞME	PANEL, BUTTON	1					
37	52031420	DÜĞME, KULE KİLİT	BUTTON, SWING LOCK	1					
38	52021020	ANAHTAR	SWITCH	1					
39	52036000	KAPAK	COVER	7					
40	H208023000	DESTEK SACI K.M.	SUPPORT PLATE W.A.	1					
41	N010231478	CIVATA	BOLT	4					M6x16
42	N030100013	PUL	WASHER	6					M6
43	H208023200	BRAKET	BRACKET	1					
44	H208023300	BRAKET	BRACKET	1					
45	N010221442	CIVATA	BOLT	2					M6x10
46	N010222078	CIVATA	BOLT	4					M6
47	N030100017	PUL	WASHER	4					
48	N030100011	PUL	WASHER	4					M5
49	N049601886	VİDA	SCREW	4					M5x20
50	H348023200	SAC, KONNEKTÖR	PLATE, CONNECTOR	1					
51	N010232078	CIVATA	BOLT	2					M8x16
52	N030100016	PUL	WASHER	2					M8

**ELEKTRİK PARÇALARI (1)**  
**ELECTRIC PARTS (1)**



**ELEKTRİK PARÇALARI (1)**  
**ELECTRIC PARTS (1)**

No	Parça No	Parça Adı	Adet	S.K.	Bas.S.N	Bit.S.N	Y.K.	Not
No	Part no	Description	Qty	SC	S/N from	S/N to	ICA	Note
1	H348021801	KUMANDA PANELİ, TFT	1					
2	H348025510	KONTAK ANAHTARI	1					DJ052
2	H348025511	KONTAK ANAHTARI	1					DJ053
2	H348025512	KONTAK ANAHTARI	1					DJ054
2	H348025513	KONTAK ANAHTARI	1					DJ055
2	H348025514	KONTAK ANAHTARI	1					DJ056
2-1	H348025503	KONTAK ANAHTARI	1					DJ052
2-1	H348025504	KONTAK ANAHTARI	1					DJ053
2-1	H348025505	KONTAK ANAHTARI	1					DJ054
2-1	H348025506	KONTAK ANAHTARI	1					DJ055
2-1	H348025507	KONTAK ANAHTARI	1					DJ056
2-2	50614110	KONNEKTÖR, DIŞİ, 4'LÜ	1					
2-3	50614120	TERMİNAL	1					
3	H348002002	ÇAKMAK	1					
4	52021110	ANAHTAR	1					
5	52031230	DÜĞME, OTO/MANUEL	1					
6	52705500	SİGORTA	7					
7	52706050	SİGORTA	16					
8	52706100	SİGORTA	5					
9	52706200	SİGORTA	7					
10	H348007100	RÖLE YUVASI	8					
11	H348015400	RÖLE	8					24V
12	H238005500	RÖLE, FLAŞÖR	1					
13	N015870014	CIVATA	8					
14	H348007200	İKAZ ZİLİ	1					24V
15	H348007501	VOLTAJ ÇEVİRİCİ	1					
16	N015870037	CIVATA	4					
17	H348025603	KONTROL ÜNİTESİ, MAKİNE (MCU)	1					M4x12
18	N049561280	VİDA	4					
19	H348026001	CD ÇALAR	1					M5x12
20	F9925256	HOPARLÖR	1					
21	H348026201	PRİZ	1					
22	52803000	KORNA, BUZZER	1					
23	51001510	KABLO BAĞI	2					
24	51001810	KABLO BAĞI	30					
25	H348027500	KONTROL ÜNİTESİ, SİLECEK	1					
27	52036000	KAPAK	3					
28	52031240	DÜĞME, ACİL STOP	1					
29	52021020	ANAHTAR	1					
30	H258009001	ÇALIŞMA SAATİ	1					
31	H258009100	BİLEZİK	1					
32	H348026101	ELEKTRİK TESİSATI, ÇAKMAK	1					
33	H348002503	ELEKTRİK TESİSATI, EMNİYET KİLİDİ	1					
35	H238021301	OPERA KUMANDA KOMPLESİ	1					
35-1	H906113700	TOPUZ	2					
35-2	H906114100	TOPUZ	1					
35-3	H348021501	POTANSİYOMETRE, MOTOR DEVRİ	1					



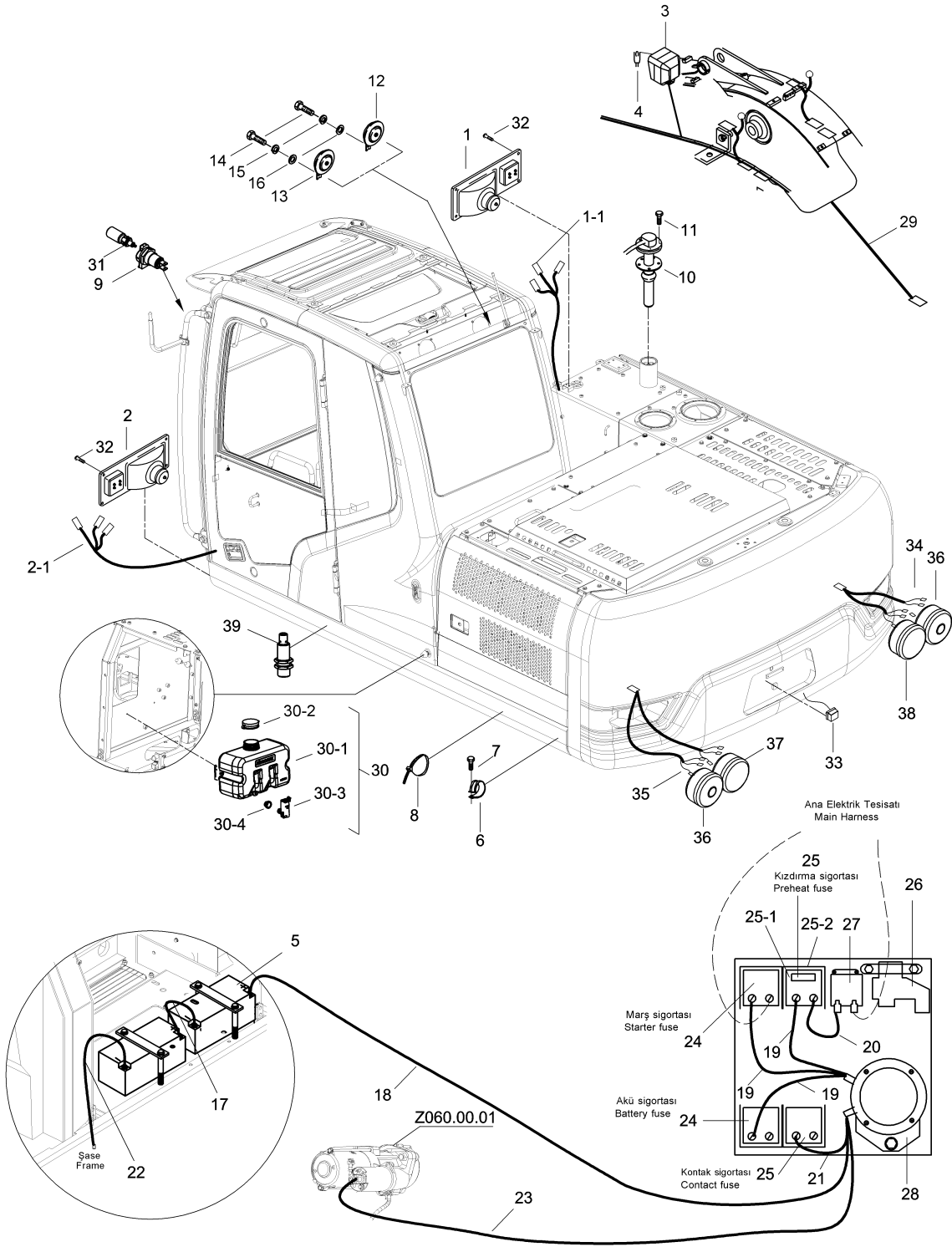


**ELEKTRİK PARÇALARI (1)**  
**ELECTRIC PARTS (1)**

No	Parça No	Parça Adı		Adet	S.K.	Bas.S.N	Bit.S.N	Y.K.	Not
No	Part no		Description	Qty	SC	S/N from	S/N to	ICA	Note
36	H906110900	PANEL, DÜĞME	PANEL, BUTTON	1					
37	52031420	DÜĞME, KULE KİLİT	BUTTON, SWING LOCK	1					
38	52021020	ANAHTAR	SWITCH	1					
39	52036000	KAPAK	COVER	7					
40	H348028000	DESTEK SACI K.M.	SUPPORT PLATE W.A.	1					
41	N010232114	CIVATA	BOLT	4					
42	N030810014	PUL	WASHER	4					
43	H348028200	BAĞLANTI SACI, ECU	PLATE, ECU	4					
44	N010231478	CIVATA	BOLT	4					
45	N030020004	PUL	WASHER	4					
48	N030100011	PUL	WASHER	4					
49	N049601886	VİDA	SCREW	4					
50	H348023200	SAC, KONNEKTÖR	PLATE, CONNECTOR	1					
51	N010232078	CIVATA	BOLT	2					M8x16
52	N030100016	PUL	WASHER	2					M8

## ELEKTRİK PARÇALARI (2)

## ELECTRIC PARTS (2)

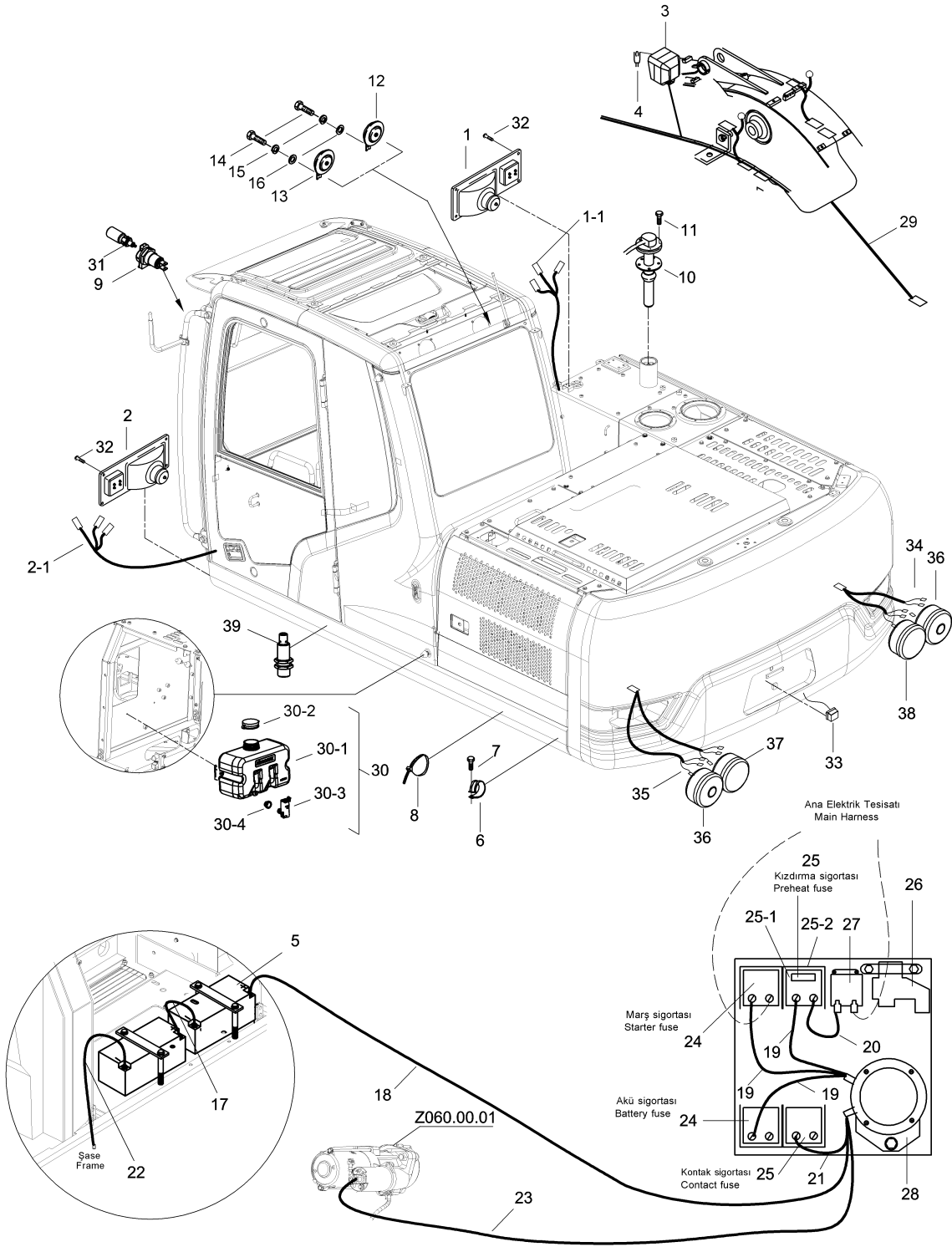


**ELEKTRİK PARÇALARI (2)**  
**ELECTRIC PARTS (2)**

No	Parça No	Parça Adı	Adet	S.K.	Bas.S.N	Bit.S.N	Y.K.	Not
No	Part no	Description	Qty	SC	S/N from	S/N to	ICA	Note
1	H238024100	FAR, SAĞ	1					
1-1	H238024301	ELEKTRİK TESİSATI, SAĞ SINYAL	1					
2	H238024200	FAR, SOL	1					
2-1	H238024401	ELEKTRİK TESİSATI, SOL SINYAL	1					
3	H348004301	ÇALIŞMA LAMBASI	2					
4	H349095112	AMPUL	2					
5	H348003001	AKÜ	2					
6	N077011008	KELEPÇE	6					
6	N077011408	KELEPÇE	10					
6	N077011608	KELEPÇE	6					
6	N077013008	KELEPÇE	8					
6	N077013508	KELEPÇE	2					
6	N077013508	KELEPÇE	4					
6	N077012208	KELEPÇE	5					
6	N077011908	KELEPÇE	2					
6	N077012508	KELEPÇE	4					
7	N010232078	CIVATA	60					
8	51011700	KABLO BAĞI	80					4.8x270
8	51012200	KABLO BAĞI	30					7.6x380
9	H348004901	SERVİS PRİZİ	1					
10	H348003304	SENSÖR, YAKIT SEVİYE	1					
11	N015870026	CIVATA	5					M4x10
12	H348002901	KORNA, YÜKSEK	1					
13	H348002801	KORNA, ALÇAK	1					
14	N010221478	CIVATA	2					M6x15
15	N031310008	YAYLI RONDELA	2					M6
16	N030020004	PUL	2					M6
17	H208010900	KABLO	1					
18	H208010701	KABLO	1					
19	H348024100	KABLO	1					
20	H348024200	KABLO	1					
21	H348024300	KABLO	1					
22	H208000700	KABLO	1					
23	H208010801	KABLO	1					
24	52706620	SİGORTA	2					50 AMPER
25	52706640	SİGORTA	2					70 AMPER
25-1	52707710	SİGORTA YUVASI	4					
25-2	52777778	KAPAK	4					
26	H349004023	RÖLE, MARŞ MOTORU	1					
27	H349004024	RÖLE, KIZDIRMA BUJİSİ	1					
28	H348024000	AKÜ RÖLESİ	1					24V, 100A
29	H208001401	ELEKTRİK TESİSATI, ÇALIŞMA LAMBASI	1					
30	H348009002	CAM SUYU TANK KOMPLESİ	1					
30-1	H348009101	CAM SUYU TANKI	1					
30-2	H348009201	TANK KAPAĞI, CAM SUYU	1					
30-3	H349080102	FİSKİYE POMPASI	1					
30-4	H348009401	CONTA	1					

## ELEKTRİK PARÇALARI (2)

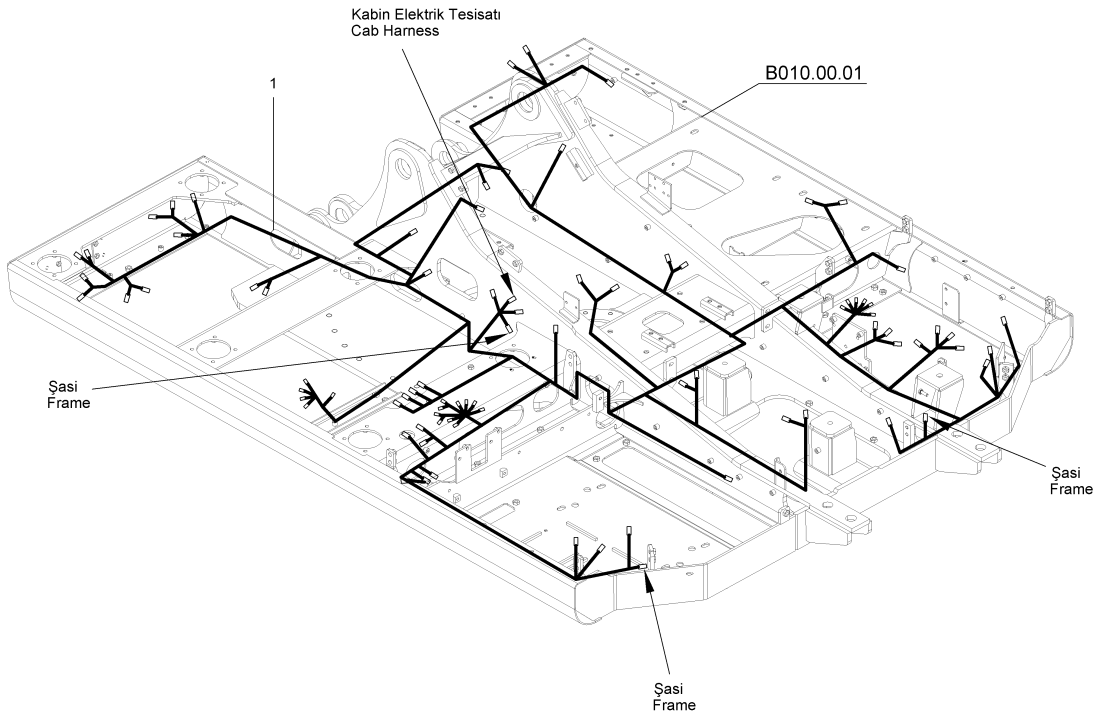
## ELECTRIC PARTS (2)



**ELEKTRİK PARÇALARI (2)**  
**ELECTRIC PARTS (2)**

No	Parça No	Parça Adı	Adet	S.K.	Bas.S.N	Bit.S.N	Y.K.	Not
No	Part no	Description	Qty	SC	S/N from	S/N to	ICA	Note
31	H348005101	SERVİS SOKETİ	1					
32	N049561286	VİDA	8					
33	H238004101	PLAKA LAMBASI	1					
34	H238001002	ELEKTRİK TESİSATI, İKAZ LAMBASI	1					
35	H238001102	ELEKTRİK TESİSATI, İKAZ LAMBASI	1					
36	H208001000	LAMBA, PARK-SİNYAL	2					
37	H208001100	LAMBA, PARK-FREN	1					
38	H208001200	LAMBA, GERİ VİTES	1					
39	H228000500	SENSÖR, PROXIMITY	1					

## ANA ELEKTRİK TESİSATI MAIN HARNESS

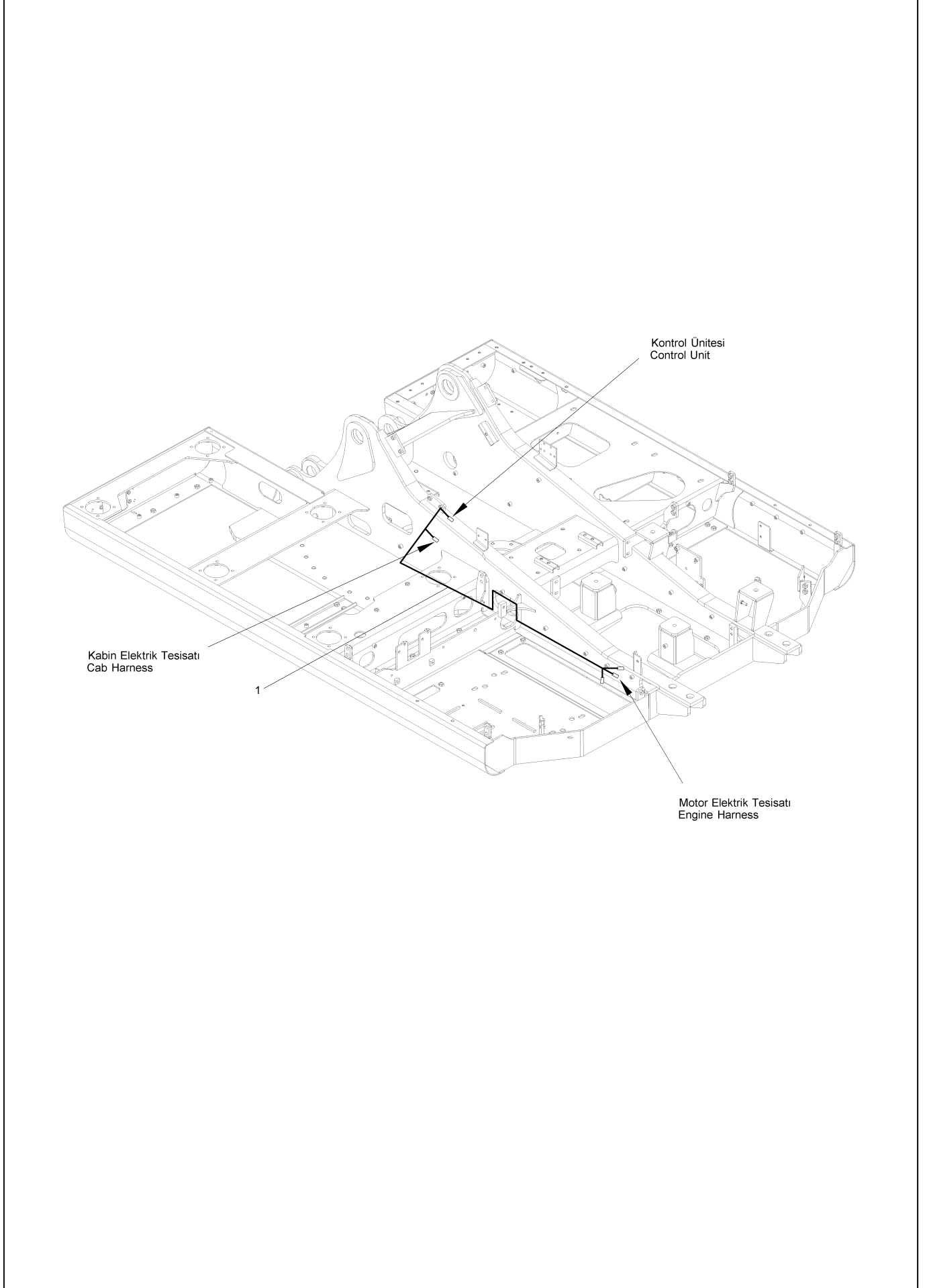


**ANA ELEKTRİK TESİSATI  
MAIN HARNESS**

No	Parça No	Parça Adı	Adet	S.K.	Bas.S.N	Bit.S.N	Y.K.	Not
No	Part no	Description	Qty	SC	S/N from	S/N to	ICA	Note
1	H208010302	ELEKTRİK TESİSATI, ANA	1					
		MAIN HARNESS						



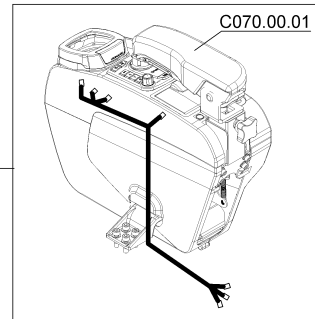
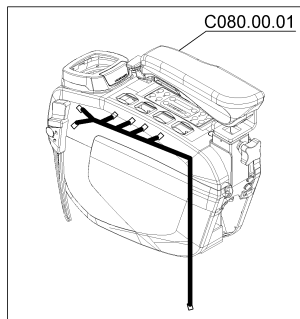
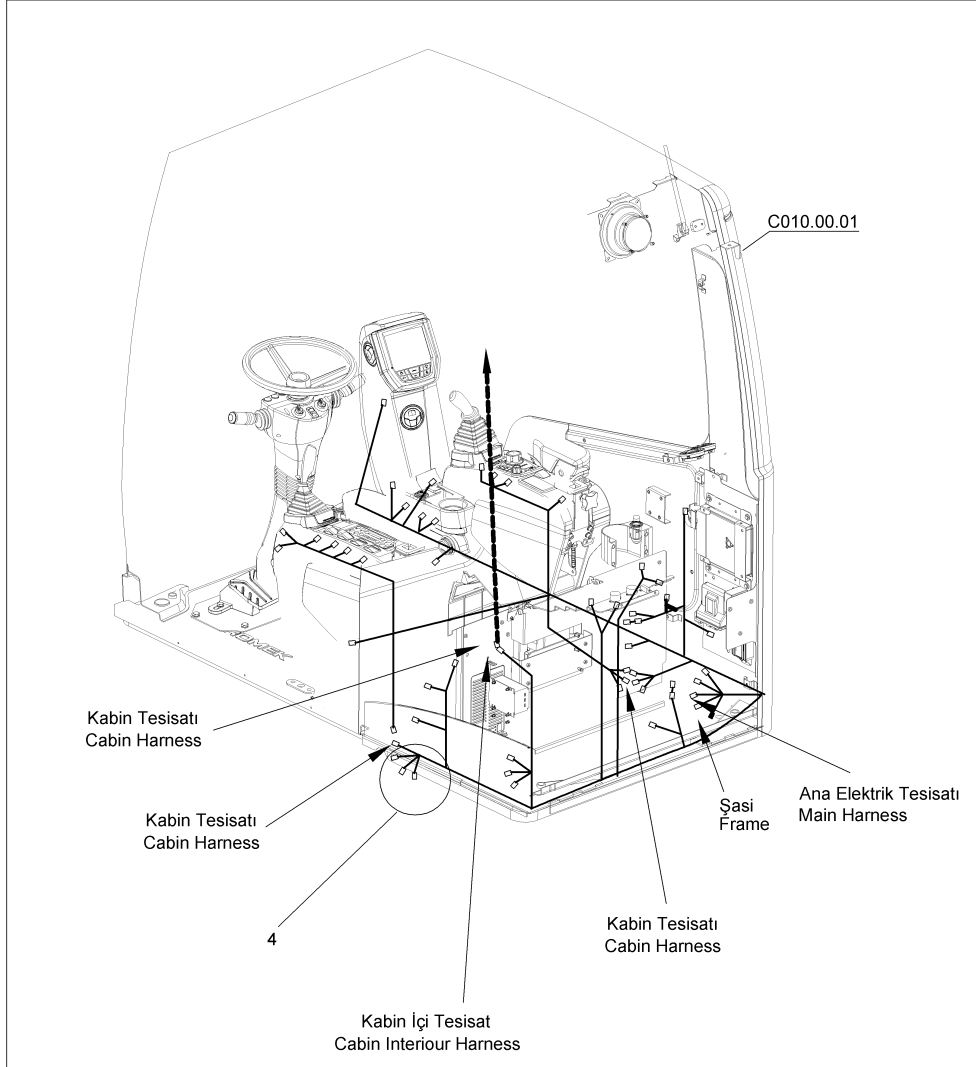
## MOTOR ELEKTRİK TESİSATI, ŞAŞİ ENGINE HARNESS, FRAME



**MOTOR ELEKTRİK TESİSATI, ŞASI  
ENGINE HARNESS, FRAME**

No	Parça No	Parça Adı	Adet	S.K.	Bas.S.N	Bit.S.N	Y.K.	Not
No	Part no	Description	Qty	SC	S/N from	S/N to	ICA	Note
1	H208010201	ELEKTRİK TESİSATI, MOTOR HARNESS, ENGINE	1					

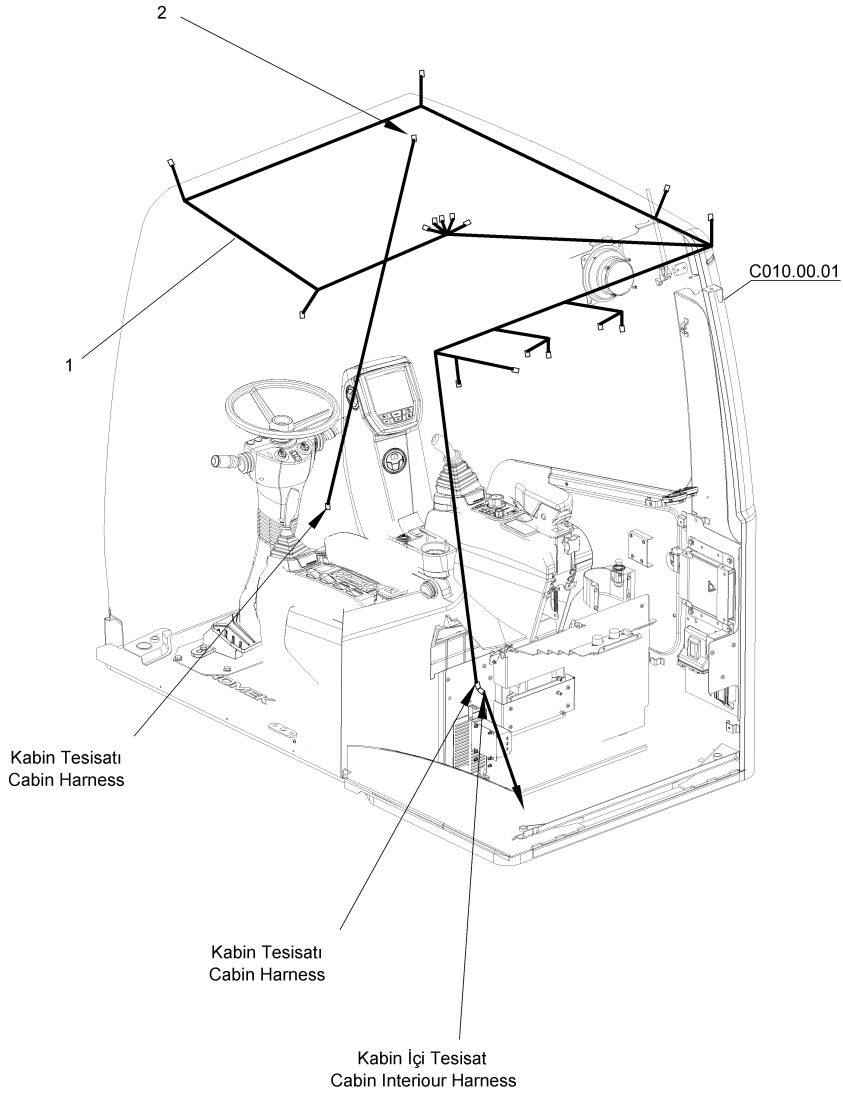
## KABİN ELEKTRİK TESİSATI OPERATOR CAB HARNESS



**KABİN ELEKTRİK TESİSATI  
OPERATOR CAB HARNESS**

No	Parça No	Parça Adı		Adet	S.K.	Bas.S.N	Bit.S.N	Y.K.	Not
No	Part no		Description	Qty	SC	S/N from	S/N to	ICA	Note
1	H228010400B	ELEKTRİK TESİSATI, KABİN	HARNESS, CAB	1		E120101	E120111		
1	H228010400C	ELEKTRİK TESİSATI, KABİN	HARNESS, CAB	1		E120112		D	
2	H348020502	ELEKTRİK TESİSATI, SOL KONSOL	HARNESS, CONSOLE LH	1					
3	H238020603	ELEKTRİK TESİSATI, SAĞ KONSOL	HARNESS, CONSOLE RH	1		E120101	E120111		
3	H238020604	ELEKTRİK TESİSATI, SAĞ KONSOL	HARNESS, CONSOLE RH	1		E120112		D	
4	H238020701	ELEKTRİK TESİSATI, DİREKSİYON	HARNESS, STEERING	1					

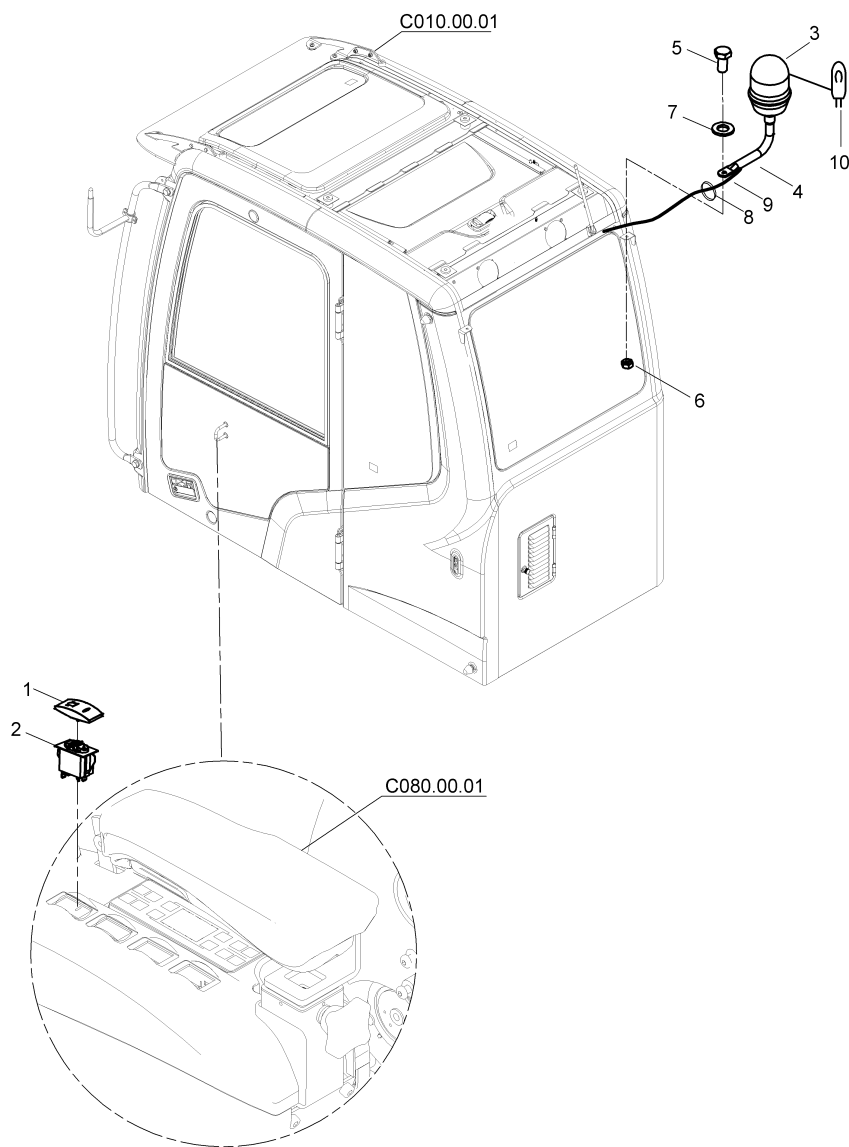
## KABİN İÇİ ELEKTRİK TESİSATI OPERATOR CAB INTERIOR HARNESS



**KABİN İÇİ ELEKTRİK TESİSATI  
OPERATOR CAB INTERIOR HARNESS**

No	Parça No	Parça Adı		Adet	S.K.	Bas.S.N	Bit.S.N	Y.K.	Not
No	Part no		Description	Qty	SC	S/N from	S/N to	ICA	Note
1	H349089002	ELEKTRİK TESİSATI, KABİN İÇİ	HARNESS, CAB INTERIOR	1					
2	H349089101	KABLO, SİLECEK MOTORU EMNİYET ANAHTARI	CABLE, WIPER MOTOR SAFETY SWITCH	1					

### TEPE LAMBASI (OP) BEACON LAMP MOUNTING (OP)

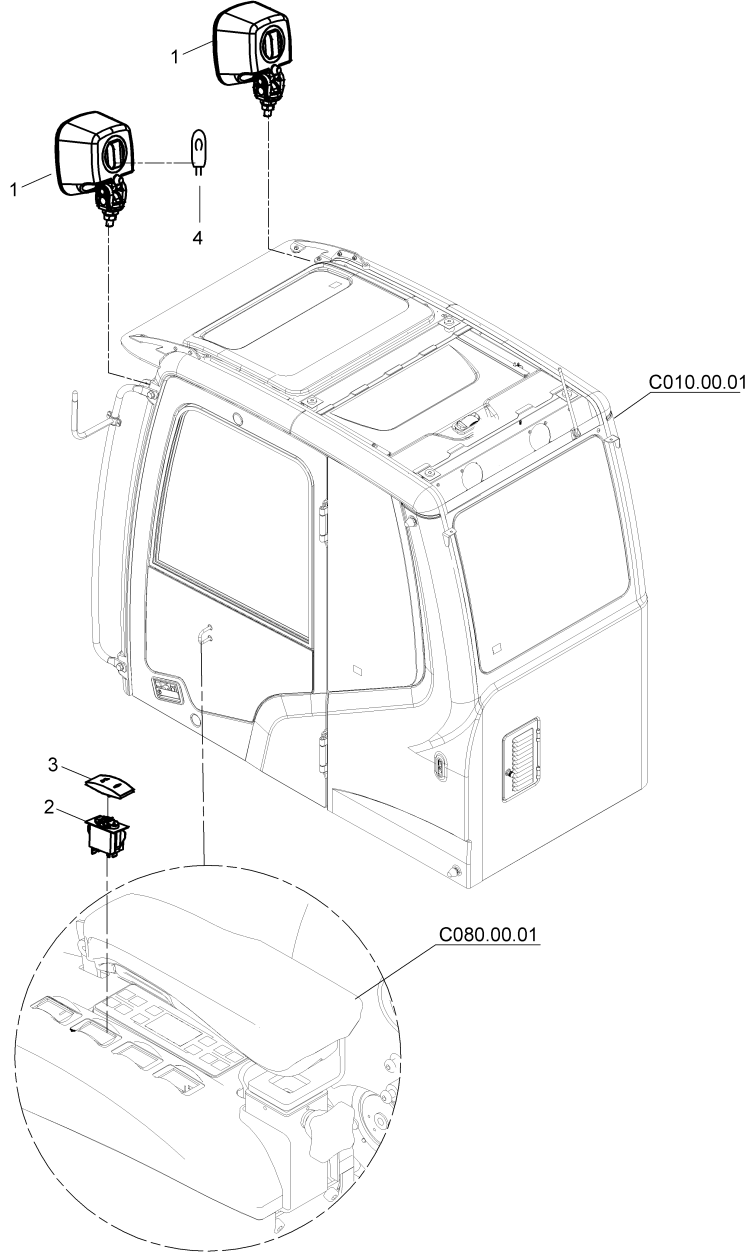


**TEPE LAMBASI (OP)**  
**BEACON LAMP MOUNTING (OP)**

No	Parça No	Parça Adı		Adet	S.K.	Bas.S.N	Bit.S.N	Y.K.	Not
No	Part no		Description	Qty	SC	S/N from	S/N to	ICA	Note
0	H900515000	TEPE İKAZ LAMBASI KOMPLESİ	BEACON LAMP ASS'Y	1					
1	52031000	DÜĞME	BUTTON	1					
2	52021020	ANAHTAR	SWITCH	1					
3	H900515200	TEPE İKAZ LAMBASI	BEACON	1					
4	H900515100	BAĞLANTI AYAĞI, TEPE LAMBASI	STAY, BEACON LAMP	1					
5	N010232438	CIVATA	BOLT	1					M10x20
6	N023570206	SOMUN	NUT	1					M10
7	N030100020	PUL	WASHER	1					
8	51002000	KABLO BAĞI	TIE, CABLE	1					
9	H900515300	ELEKTRİK TESİSATI, TEPE İKAZ LAMBASI	HARNESS, BEACON LAMP	1					
10	H349095112	AMPUL	BULB	1					



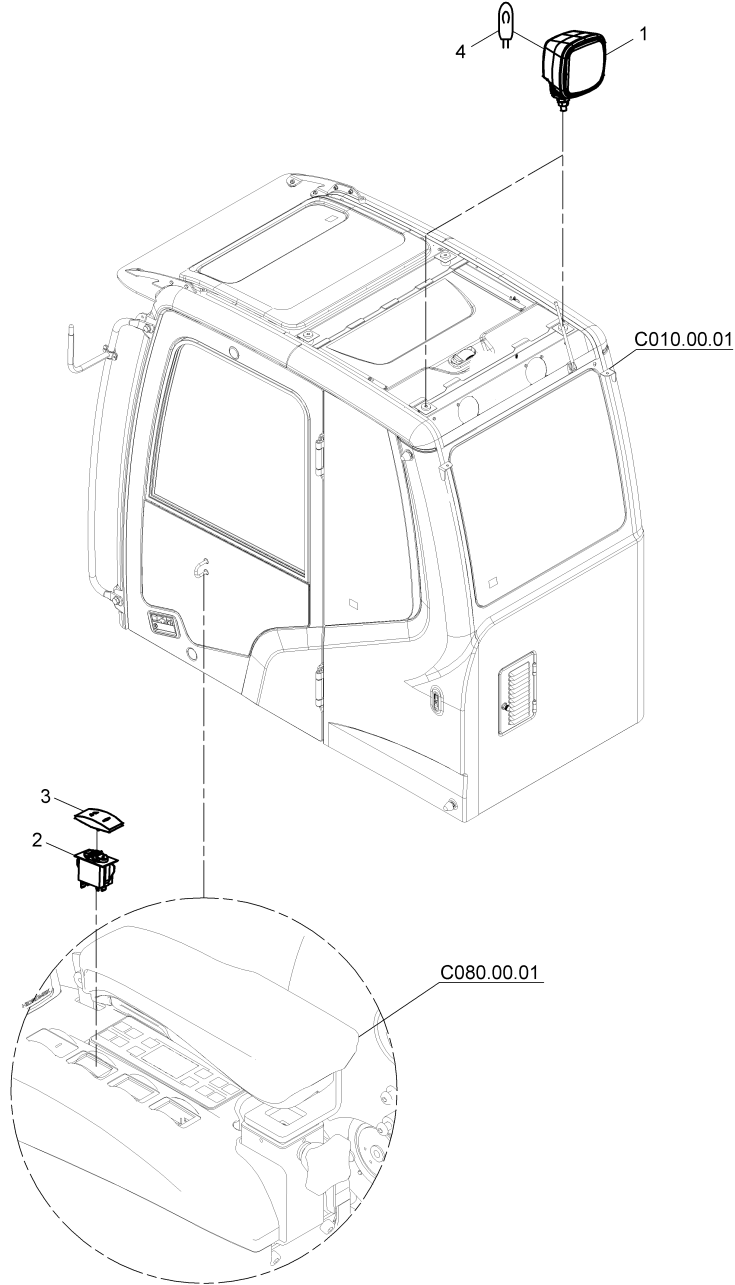
**ÖN ÇALIŞMA LAMBASI MONTAJI (OP)**  
**WORK LAMP MOUNTING, FRONT (OP)**



**ÖN ÇALIŞMA LAMBASI MONTAJI (OP)**  
**WORK LAMP MOUNTING, FRONT (OP)**

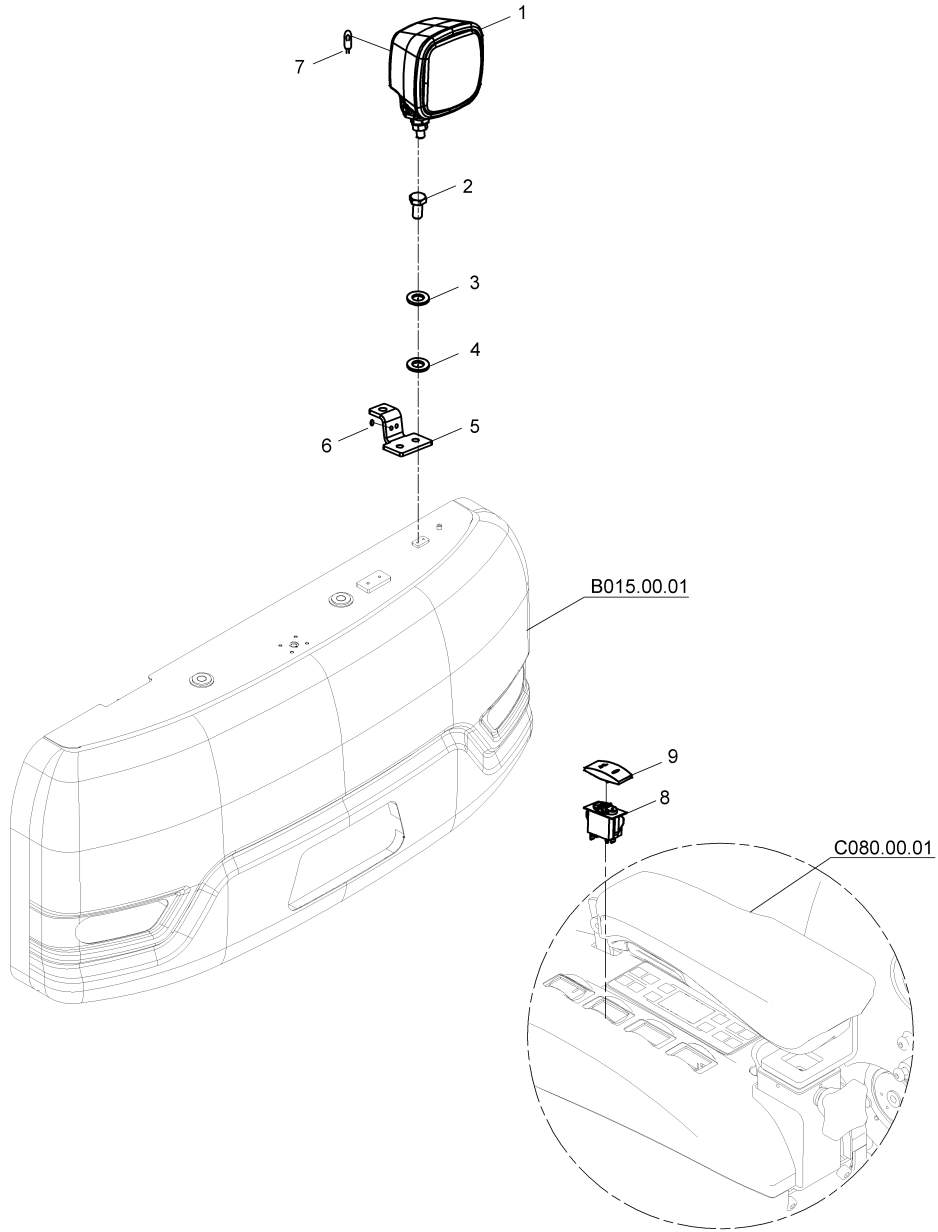
No	Parça No	Parça Adı	Adet	S.K.	Bas.S.N	Bit.S.N	Y.K.	Not
No	Part no	Description	Qty	SC	S/N from	S/N to	ICA	Note
0	H348026500	ÇALIŞMA LAMBASI KOMPLESİ, ÖN	1					
1	H348026600	ÇALIŞMA LAMBASI	2					
2	52021010	ANAHTAR	1					
3	52031015	DÜĞME	1					
4	H349095112	AMPUL	2					

ARKA ÇALIŞMA LAMBASI MONTAJI (OP)  
WORK LAMP MOUNTING, REAR (OP)



**ARKA ÇALIŞMA LAMBASI MONTAJI (OP)**  
**WORK LAMP MOUNTING, REAR (OP)**

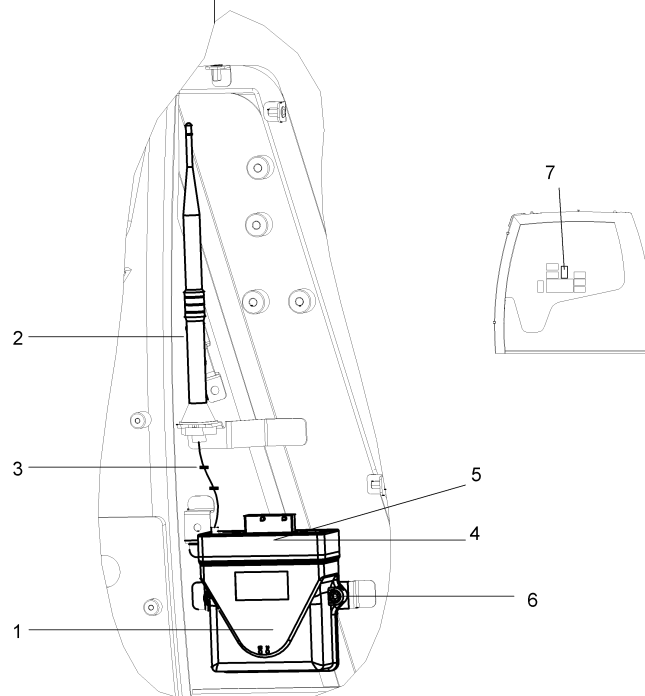
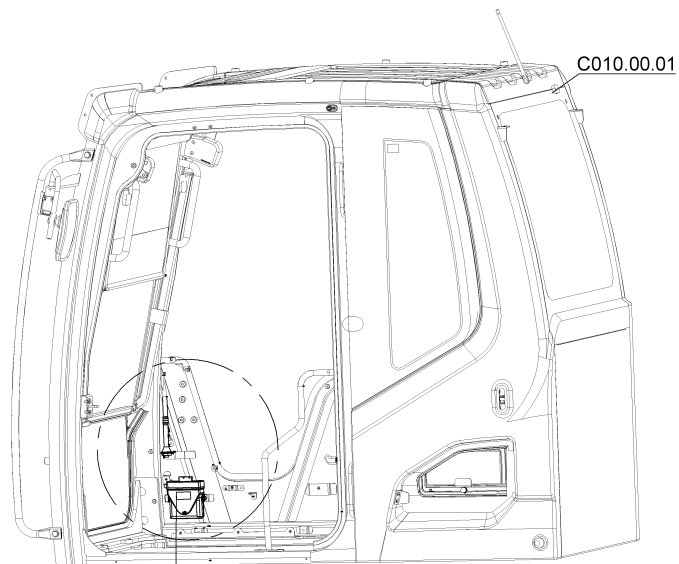
No	Parça No	Parça Adı	Adet	S.K.	Bas.S.N	Bit.S.N	Y.K.	Not
No	Part no	Description	Qty	SC	S/N from	S/N to	ICA	Note
0	H900516000	ÇALIŞMA LAMBASI KOMPLESİ, ARKA	1					
1	H348026600	ÇALIŞMA LAMBASI	2					
2	52021010	ANAHTAR	1					
3	52031015	DÜĞME	1					
4	H349095112	AMPUL	2					

**ARKA AĞIRLIK ÇALIŞMA LAMBASI MONTAJI (OP)  
WORK LAMP MOUNTING, COUNTER WEIGHT (OP)**

**ARKA AĞIRLIK ÇALIŞMA LAMBASI MONTAJI (OP)**  
**WORK LAMP MOUNTING, COUNTER WEIGHT (OP)**

No	Parça No	Parça Adı	Description	Adet	S.K.	Bas.S.N	Bit.S.N	Y.K.	Not
No	Part no			Qty	SC	S/N from	S/N to	ICA	Note
0	H348027000	ÇALIŞMA LAMBASI KOMPLESİ, ARKA AĞIRLIK	WORKING LAMP ASS'Y, COUNTER WEIGHT	1					
1	H348026600	ÇALIŞMA LAMBASI	WORKING LAMP	1					
2	N010222078	CIVATA	BOLT	2					M8x16
3	N031310010	YAYLI RONDELA	SPRING WASHER	2					M8
4	N030100017	PUL	WASHER	2					
5	H348027100	BRAKET	BRACKET	1					
6	51002000	KABLO BAĞI	TIE, CABLE	1					
7	H349095112	AMPUL	BULB	2					
8	52021010	ANAHTAR	SWITCH	1					
9	52031015	DÜĞME	BUTTON	1					

**SMARTLINK (OP)**  
**SMARTLINK (OP)**

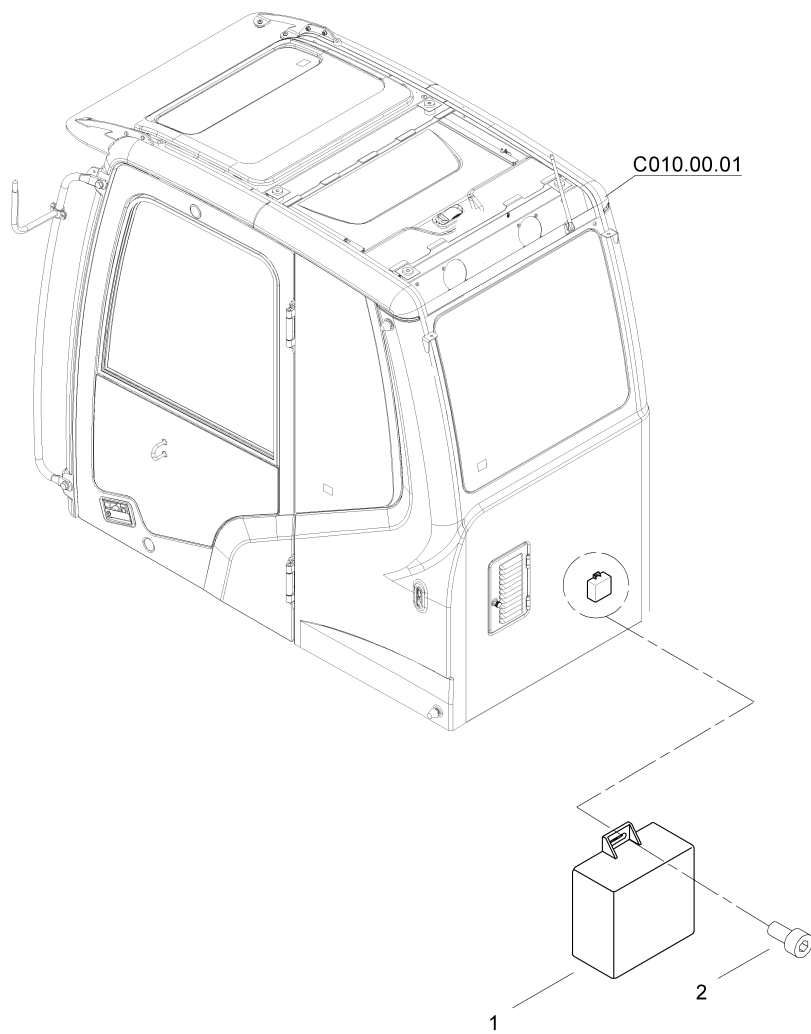


**SMARTLINK (OP)**  
**SMARTLINK (OP)**

No	Parça No	Parça Adı	Adet	S.K.	Bas.S.N	Bit.S.N	Y.K.	Not
No	Part no	Description	Qty	SC	S/N from	S/N to	ICA	Note
0	H900523000	SMARTLINK KOMPLESİ	1					
1	H900522101	SMARTLINK HABERLEŞME ÜNİTESİ	1					
2	H900522200	ANTEN, GSM	1					
3	51011700	KABLO BAĞI	2					
4	H900522600	SİM KART	1					
5	H900522701	LİSANS, SMARTLINK	1					
6	N015870314	CİVATA	2					M6x20
7	H907002100	ETİKET	1					



**IMMOBILIZER (OP)**  
**IMMOBILIZER (OP)**



**IMMOBILIZER (OP)**  
**IMMOBILIZER (OP)**

No	Parça No	Parça Adı		Adet	S.K.	Bas.S.N	Bit.S.N	Y.K.	Not
No	Part no		Description	Qty	SC	S/N from	S/N to	ICA	Note
1	H230504100	İMMOBİLİZER	IMMOBILIZER	1					
2	N015870014	CIVATA	BOLT	2					M4x8



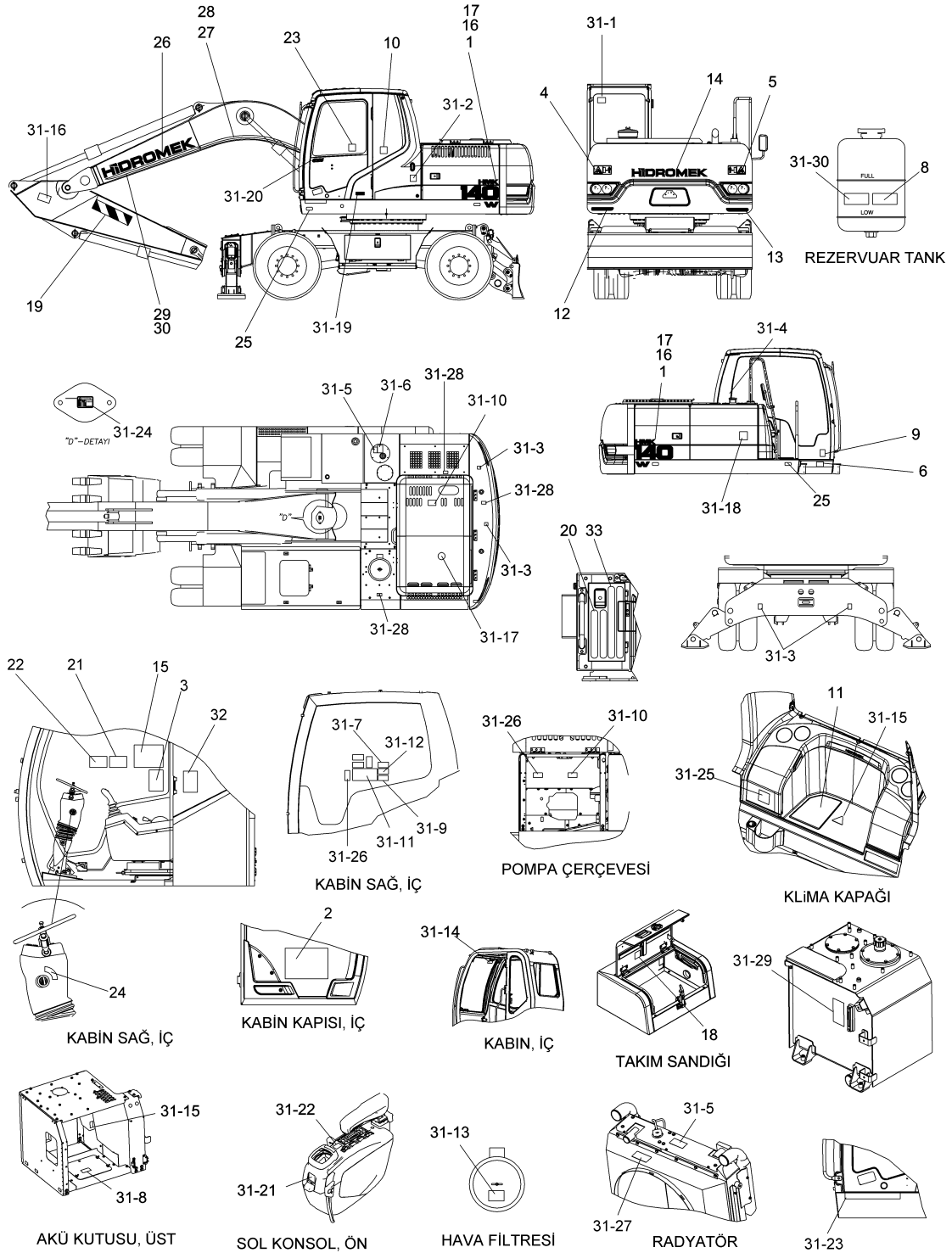
**KAMERA MONTAJI, ARKA GÖRÜŞ (OP)**  
**CAMERA MOUNTING, REAR VIEW (OP)**

No	Parça No	Parça Adı		Adet	S.K.	Bas.S.N	Bit.S.N	Y.K.	Not
No	Part no		Description	Qty	SC	S/N from	S/N to	ICA	Note
1	H340515200	KAMERA, ARKA GÖRÜŞ	CAMERA, REAR VIEW	1					
3	H340520400	KABLO	CABLE	1					
4	H200501500	BRAKET K.M.	BRACKET W.A.	1					
5	N010221514	CIVATA	BOLT	2					M6x20
6	N023560158	SOMUN	NUT	2					M6
7	N030020004	PUL	WASHER	2					
8	N031310008	YAYLI RONDELA	SPRING WASHER	2					
9	N010232522	CIVATA	BOLT	4					M10x45
10	N030560002	PUL	WASHER	4					
11	98U010110	TAPA	PLUG	2					

**Y - DİĞERLERİ (ETİKET, AVADANLIK)**  
**Y - OTHERS (DECAL, TOOLS)**

<b>Sayfa No / Page No</b>	<b>Sayfa Adı</b>	<b>Page Name</b>	<b>Revizyon / Revision</b>
Y010.00.01	ETİKETLER (TÜRKÇE)	DECALS (TURKISH)	
Y010.01.01	ETİKETLER (İNGİLİZCE)	DECALS (ENGLISH)	
Y010.02.01	ETİKETLER (İSPANYOLCA)	DECALS (SPANISH)	
Y010.03.01	ETİKETLER (PORTEKİZCE)	DECALS (PORTUGUESE)	
Y010.04.01	ETİKETLER (FRANSIZCA)	DECALS (FRENCH)	

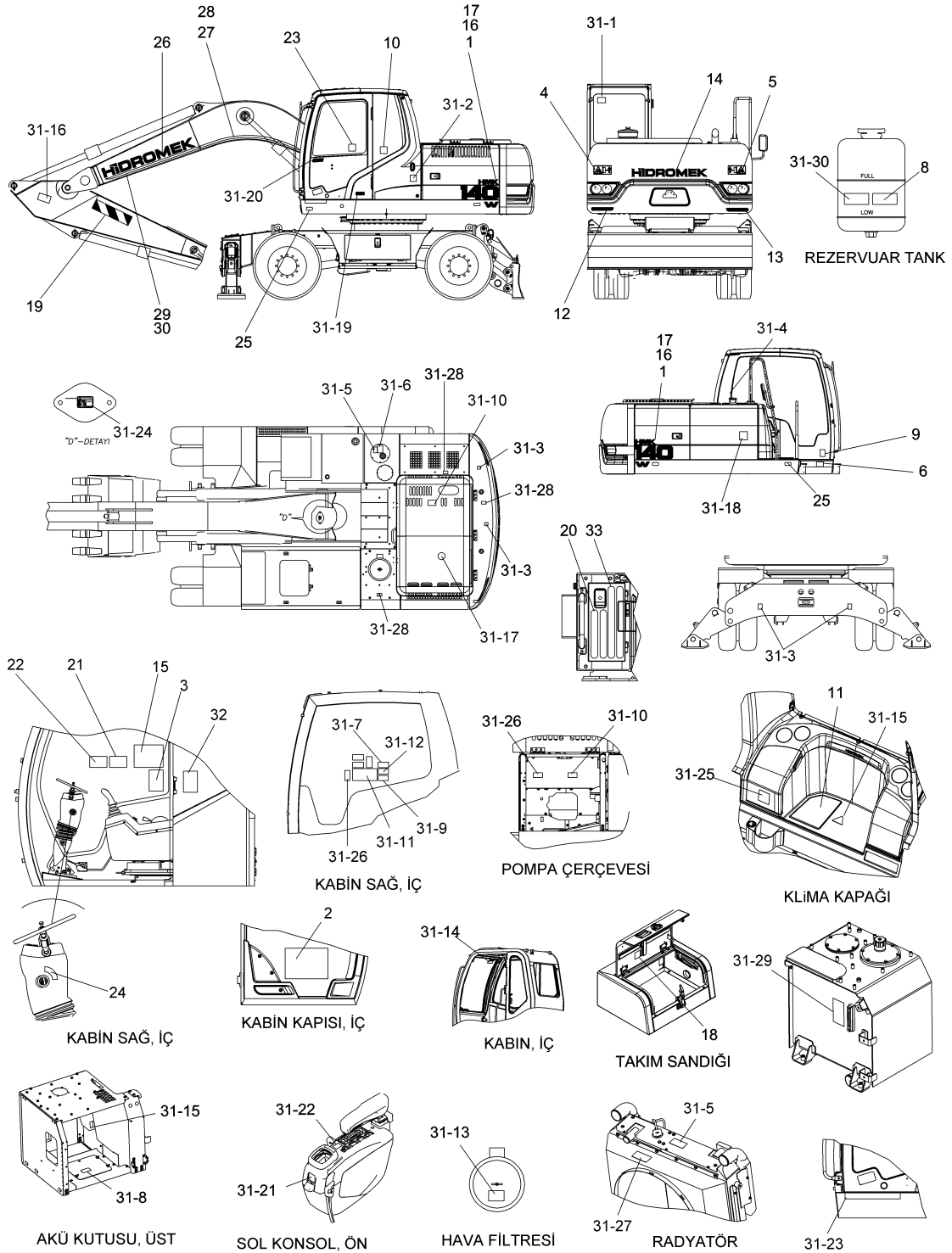
## ETİKETLER (TÜRKÇE) DECALS (TURKISH)



**ETİKETLER (TÜRKÇE)  
DECALS (TURKISH)**

No	Parça No	Parça Adı		Adet	S.K.	Bas.S.N	Bit.S.N	Y.K.	Not
No	Part no	Description		Qty	SC	S/N from	S/N to	ICA	Note
1	H307000100	ETİKET, MODEL	DECAL, MODEL	2					
2	H207042600	ETİKET, YAĞLAMA TABLOSU	DECAL, LUBRICATION TABLE	1					
3	H207042700	ETİKET, TEKNİK ÖZELLİKLER	DECAL, TECHNICAL SPECS	1					
4	H347000801	ETİKET, EMNİYETLİ MESAFE, SOL	DECAL, KEEP AWAY, LH	1					
5	H347000901	ETİKET, EMNİYETLİ MESAFE, SAĞ	DECAL, KEEP AWAY, RH	1					
6	H347001104	İSİM PLAKASI, MAKİNE	NAME PLATE, MACHINE	1					
8	H347050800	ETİKET, ANTIFRİZ	DECAL, ANTIFREEZE	1					
9	H207042900	ETİKET, GÜRÜLTÜ SEVİYESİ, DIŞ	DECAL, SOUND LEVEL, OUTSIDE	1					
10	H207043000	ETİKET, GÜRÜLTÜ SEVİYESİ, İÇ	DECAL, NOISE LEVEL, INNER	1					
11	H237030604	ETİKET, SİGORTA KUTUSU	DECAL, FUSE BOX	1					
12	H257006500	REFLEKTÖR, SOL	REFLECTOR, LH	1					
13	H257006400	REFLEKTÖR, SAĞ	REFLECTOR, RH	1					
14	H207000500	ETİKET, LOGO, ARKA AĞIRLIK	DECAL, LOGO, C/WEIGHT	1					
15	H207042800	ETİKET, KALDIRMA KAPASİTESİ	DECAL, LIFTING CAPACITY	1					
16	H347055400	ETİKET, MODEL, HMK	DECAL, MODEL, HMK	2					
17	H237030800	ETİKET, MODEL, W	DECAL, MODEL, W	2					
18	H347050500	ETİKET, YAKIT UYARI	DECAL, WARNING, FUEL	1					
19	H227001500	ETİKET, REFLEKTÖR, ARM	DECAL, REFLECTOR, ARM	2					
20	H207043100	ETİKET, ŞERİT, KAYMA ÖNLEYİCİ	DECAL, STRIP, ANTI-SLIP	2					
21	H237000800	ETİKET, UYARI	DECAL, WARNING	1					
22	H237000702	ETİKET, DOZER-AYAK KUMANDA	DECAL, DOZER-OUTRIGGER OPERATION	1					
23	H347008800	ETİKET, ÇAĞRI MERKEZİ	DECAL, CALL CENTER	1					
24	H237000900	ETİKET, MOD SEÇİMİ	DECAL, MODE SELECTION	1					
25	H237005400	REFLEKTÖR	REFLECTOR	4					
26	H307001000	ETİKET, LOGO, BOM	DECAL, LOGO, BOOM	2					
27	H307001100	ETİKET, ŞERİT, BOM	DECAL, STRIP, BOOM	1					
28	H307001300	ETİKET, ŞERİT, BOM	DECAL, STRIP, BOOM	1					
29	H307001200	ETİKET, ŞERİT, BOM	DECAL, STRIP, BOOM	1					
30	H307001400	ETİKET, ŞERİT, BOM	DECAL, STRIP, BOOM	1					
31	H907000000	ETİKETLER, ORTAK	DECALS, COMMON	1					
31-1	H347000501	ETİKET, ACİL ÇIKIŞ	DECAL, EMERGENCY EXIT	1					
31-2	H347009500	ETİKET, TASARIM ÖDÜLÜ	DECAL, DESIGN AWARD	1					
31-3	H347004300	ETİKET, KALDIRMA NOKTASI	DECAL, LIFTING POINT	6					
31-4	H907000500	ETİKET, UYARI, DİSEL	DECAL, WARNING, DIESEL	1					
31-5	H907000600	ETİKET, HİDROLİK YAĞ	DECAL, HYDRAULIC OIL	2					
31-6	H907000700	ETİKET, UYARI, HİDROLİK	DECAL, WARNING, HYDRAULIC	1					
31-7	H907001900	ETİKET, GÜVENLİK, KABİN KORUMA	DECAL, SAFETY, CAB GUARD	1					
31-8	H907001000	ETİKET, AKÜ UYARI	DECAL, WARNING, BATTERY	1					
31-9	H907001100	ETİKET, EMNİYETLİ KULLANIM	DECAL, SAFETY USAGE	1					
31-10	H907001200	ETİKET, UYARI, SICAKLIK	DECAL, WARNING, TEMPERATURE	2					
31-11	H907000300	ETİKET, GÜVENLİK, GENEL	DECAL, SAFETY, GENERAL	1					
31-12	H347002400	ETİKET, JOYSTİK KULLANIM	DECAL, JOYSTICK OPERATION	1					
31-13	H907001600	ETİKET, HAVA FİLTRESİ	DECAL, AIR FILTER	1					

## ETİKETLER (TÜRKÇE) DECALS (TURKISH)

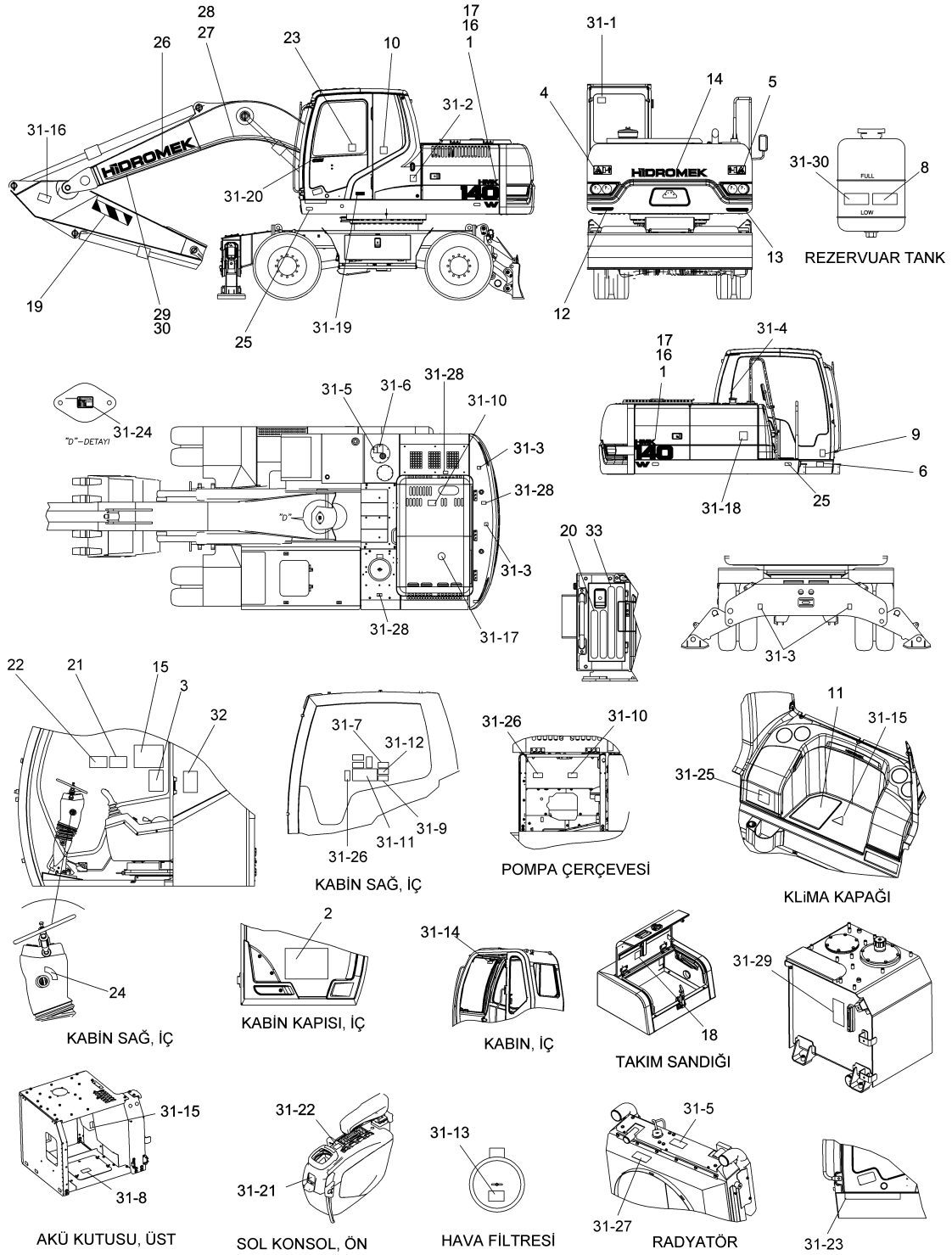




**ETİKETLER (TÜRKÇE)  
DECALS (TURKISH)**

No	Parça No	Parça Adı	Description	Adet	S.K.	Bas.S.N	Bit.S.N	Y.K.	Not
No	Part no			Qty	SC	S/N from	S/N to	ICA	Note
31-14	H907001400	ETİKET, GÜVENLİK, ÖN CAM	DECAL, SAFETY, FRONT WINDOW	1					
31-15	Y0611340	ETİKET, ELEKTRİK İKAZ	DECAL, ELECTRIC WARNING	2					
31-16	H377007200	ETİKET, ARM	DECAL, ARM	1					
31-17	H907001300	ETİKET, UYARI, MOTOR KAPUTU	DECAL, WARNING, ENGINE HOOD	1					
31-18	H347051300	ETİKET, TURQUALITY	DECAL, TURQUALITY	1					
31-19	H347007700	ETİKET, OPERA	DECAL, OPERA	1					
31-20	H347007801	ETİKET, GEN	DECAL, GEN	1					
31-21	H347007900	ETİKET, JOYSTİK POZİSYON AYARI	DECAL, JOYSTICK POSITION ADJUSTING	1					
31-22	H347008000	ETİKET, EMNİYET KİLİDİ	DECAL, SAFETY LOCK	1					
31-23	H347008100	ETİKET, ŞERİT, KAYMA ÖNLEYİCİ	DECAL, STRIP, ANTI-SLIP	1					
31-24	H347010500	ETİKET, KULE DİŞLİSİ, GRES MİKTARI	DECAL, SWING RING GREASE	1					
31-25	Y0620495	ETİKET, SOĞUTUCU TORPİDO	DECAL, COOLBOX	1					
31-26	H907000200	ETİKET, UYARI, OPERATÖR EL KİTABI	DECAL, WARNING, OPERATOR'S BOOK	2					
31-27	H907000800	ETİKET, GÜVENLİK, FAN, KAYIŞ	DECAL, WARNING, FAN, BELT	1					
31-28	H907000900	ETİKET, GÜVENLİK, DÜŞME TEHLİKESİ	DECAL, SAFETY, DANGER OF FALLING	3					
31-29	H907002200	ETİKET, YAĞ SEVİYESİ	DECAL, OIL LEVEL	1					
31-30	H907002300	ETİKET, REZERVUAR TANK	DECAL, RESERVOIR TANK	1					
32	H207005700	ETİKET, UYARI	DECAL, WARNING	1					
33	H207043200	ETİKET, ŞERİT, KAYMA ÖNLEYİCİ	DECAL, STRIP, ANTI-SLIP	2					

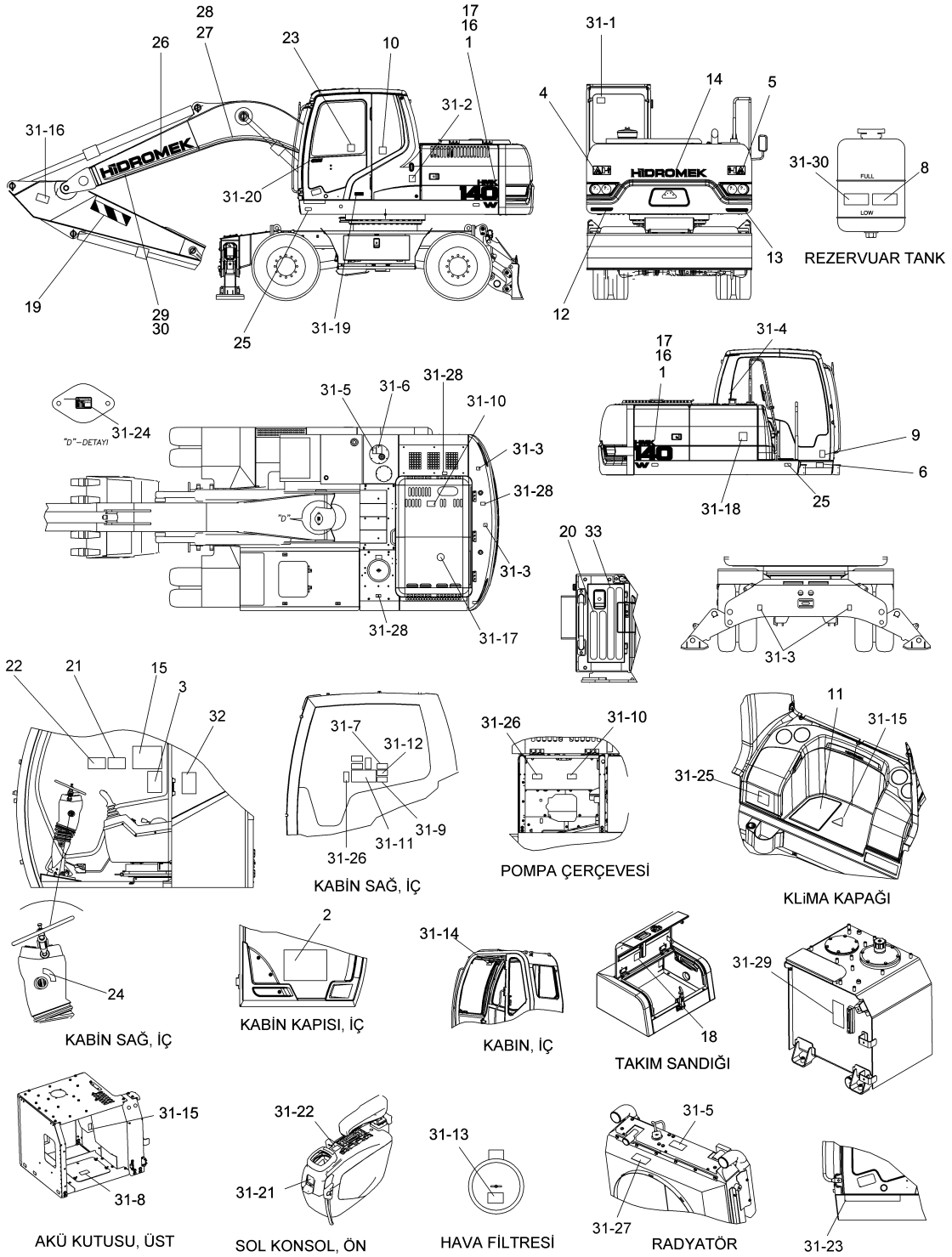
## ETİKETLER (İNGİLİZCE) DECALS (ENGLISH)



**ETİKETLER (İNGİLİZCE)**  
**DECALS (ENGLISH)**

No	Parça No	Parça Adı	Adet	S.K.	Bas.S.N	Bit.S.N	Y.K.	Not
No	Part no	Description	Qty	SC	S/N from	S/N to	ICA	Note
1	H307000100	ETİKET, MODEL	2					
2	H207045100	ETİKET, YAĞLAMA TABLOSU	1					
3	H207045200	ETİKET, TEKNİK ÖZELLİKLER	1					
4	H347000801	ETİKET, EMNİYETLİ MESAFE, SOL	1					
5	H347000901	ETİKET, EMNİYETLİ MESAFE, SAĞ	1					
6	H347001104	İSİM PLAKASI, MAKİNE	1					
8	H347051800	ETİKET, ANTIFRİZ	1					
9	H207042900	ETİKET, GÜRÜLTÜ SEVİYESİ, DIŞ	1					
10	H207043000	ETİKET, GÜRÜLTÜ SEVİYESİ, İÇ	1					
11	H237040604	ETİKET, SİGORTA KUTUSU	1					
12	H257006500	REFLEKTÖR, SOL	1					
13	H257006400	REFLEKTÖR, SAĞ	1					
14	H207000500	ETİKET, LOGO, ARKA AĞIRLIK	1					
15	H207045300	ETİKET, KALDIRMA KAPASİTESİ	1					
16	H347055400	ETİKET, MODEL, HMK	2					
17	H237030800	ETİKET, MODEL, W	2					
18	H347051500	ETİKET, YAKIT UYARI	1					
19	H227001500	ETİKET, REFLEKTÖR, ARM	2					
20	H207043100	ETİKET, ŞERİT, KAYMA ÖNLEYİCİ	2					
21	H237010800	ETİKET, UYARI	1					
22	H237000702	ETİKET, DOZER-AYAK KUMANDA	1					
24	H237000900	ETİKET, MOD SEÇİMİ	1					
25	H237005400	REFLEKTÖR	4					
26	H307001000	ETİKET, LOGO, BOM	2					
27	H307001100	ETİKET, ŞERİT, BOM	1					
28	H307001300	ETİKET, ŞERİT, BOM	1					
29	H307001200	ETİKET, ŞERİT, BOM	1					
30	H307001400	ETİKET, ŞERİT, BOM	1					
31	H907000000	ETİKETLER, ORTAK	1					
31-1	H347000501	ETİKET, ACİL ÇIKIŞ	1					
31-2	H347009500	ETİKET, TASARIM ÖDÜLÜ	1					
31-3	H347004300	ETİKET, KALDIRMA NOKTASI	6					
31-4	H907000500	ETİKET, UYARI, DİSEL	1					
31-5	H907000600	ETİKET, HİDROLİK YAĞ	2					
31-6	H907000700	ETİKET, UYARI, HİDROLİK	1					
31-7	H907001900	ETİKET, GÜVENLİK, KABİN KORUMA	1					
31-8	H907001000	ETİKET, AKÜ UYARI	1					
31-9	H907001100	ETİKET, EMNİYETLİ KULLANIM	1					
31-10	H907001200	ETİKET, UYARI, SICAKLIK	2					
31-11	H907000300	ETİKET, GÜVENLİK, GENEL	1					
31-12	H347002400	ETİKET, JOYSTİK KULLANIM	1					
31-13	H907001600	ETİKET, HAVA FİLTRESİ	1					
31-14	H907001400	ETİKET, GÜVENLİK, ÖN CAM	1					

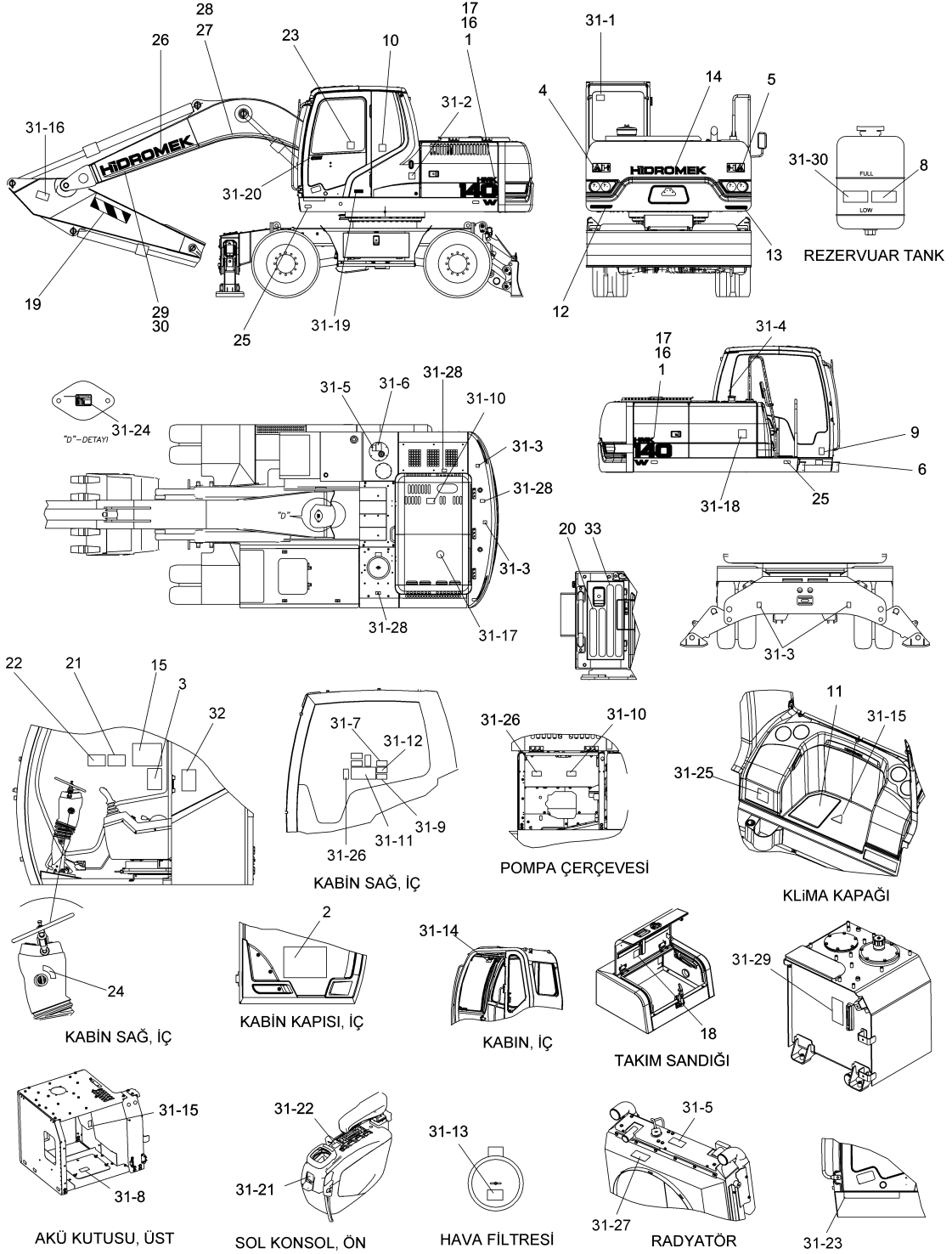
## ETİKETLER (İNGİLİZCE) DECALS (ENGLISH)



**ETİKETLER (İNGİLİZCE)**  
**DECALS (ENGLISH)**

No	Parça No	Parça Adı	Description	Adet	S.K.	Bas.S.N	Bit.S.N	Y.K.	Not
No	Part no			Qty	SC	S/N from	S/N to	ICA	Note
31-15	Y0611340	ETİKET, ELEKTRİK İKAZ	DECAL, ELECTRIC WARNING	2					
31-16	H377007200	ETİKET, ARM	DECAL, ARM	1					
31-17	H907001300	ETİKET, UYARI, MOTOR KAPUTU	DECAL, WARNING, ENGINE HOOD	1					
31-18	H347051300	ETİKET, TURQUALITY	DECAL, TURQUALITY	1					
31-19	H347007700	ETİKET, OPERA	DECAL, OPERA	1					
31-20	H347007801	ETİKET, GEN	DECAL, GEN	1					
31-21	H347007900	ETİKET, JOYSTİK POZİSYON AYARI	DECAL, JOYSTICK POSITION ADJUSTING	1					
31-22	H347008000	ETİKET, EMNİYET KİLİDİ	DECAL, SAFETY LOCK	1					
31-23	H347008100	ETİKET, ŞERİT, KAYMA ÖNLEYİCİ	DECAL, STRIP, ANTI-SLIP	1					
31-24	H347010500	ETİKET, KULE DİŞLİSİ, GRES MİKTARI	DECAL, SWING RING GREASE	1					
31-25	Y0620495	ETİKET, SOĞUTUCU TORPİDO	DECAL, COOLBOX	1					
31-26	H907000200	ETİKET, UYARI, OPERATÖR EL KİTABI	DECAL, WARNING, OPERATOR'S BOOK	2					
31-27	H907000800	ETİKET, GÜVENLİK, FAN, KAYIŞ	DECAL, WARNING, FAN, BELT	1					
31-28	H907000900	ETİKET, GÜVENLİK, DÜŞME TEHLİKESİ	DECAL, SAFETY, DANGER OF FALLING	3					
31-29	H907002200	ETİKET, YAĞ SEVİYESİ	DECAL, OIL LEVEL	1					
31-30	H907002300	ETİKET, REZERVUAR TANK	DECAL, RESERVOIR TANK	1					
32	H207005700	ETİKET, UYARI	DECAL, WARNING	1					
33	H207043200	ETİKET, ŞERİT, KAYMA ÖNLEYİCİ	DECAL, STRIP, ANTI-SLIP	2					

## ETİKETLER (İSPANYOLCA) DECALS (SPANISH)



**ETİKETLER (İSPANYOLCA)**  
**DECALS (SPANISH)**

No	Parça No	Parça Adı	Adet	S.K.	Bas.S.N	Bit.S.N	Y.K.	Not
No	Part no	Description	Qty	SC	S/N from	S/N to	ICA	Note
1	H307000100	ETİKET, MODEL	2					
2	H207047600	ETİKET, YAĞLAMA TABLOSU	1					
3	H207047700	ETİKET, TEKNİK ÖZELLİKLER	1					
4	H347000801	ETİKET, EMNİYETLİ MESAFE, SOL	1					
5	H347000901	ETİKET, EMNİYETLİ MESAFE, SAĞ	1					
6	H347027001	İSİM PLAKASI, MAKİNE	1					
8	H347053800	ETİKET, ANTIFRİZ	1					
9	H207042900	ETİKET, GÜRÜLTÜ SEVİYESİ, DIŞ	1					
10	H207043000	ETİKET, GÜRÜLTÜ SEVİYESİ, İÇ	1					
11	H237042602	ETİKET, SİGORTA KUTUSU	1					
12	H257006500	REFLEKTÖR, SOL	1					
13	H257006400	REFLEKTÖR, SAĞ	1					
14	H207000500	ETİKET, LOGO, ARKA AĞIRLIK	1					
15	H207047800	ETİKET, KALDIRMA KAPASİTESİ	1					
16	H347055400	ETİKET, MODEL, HMK	2					
17	H237030800	ETİKET, MODEL, W	2					
18	H347051500	ETİKET, YAKIT UYARI	1					
19	H227001500	ETİKET, REFLEKTÖR, ARM	2					
20	H207043100	ETİKET, ŞERİT, KAYMA ÖNLEYİCİ	2					
21	H237025400	ETİKET, UYARI	1					
22	H237000702	ETİKET, DOZER-AYAK KUMANDA	1					
24	H237000900	ETİKET, MOD SEÇİMİ	1					
25	H237005400	REFLEKTÖR	4					
26	H307001000	ETİKET, LOGO, BOM	2					
27	H307001100	ETİKET, ŞERİT, BOM	1					
28	H307001300	ETİKET, ŞERİT, BOM	1					
29	H307001200	ETİKET, ŞERİT, BOM	1					
30	H307001400	ETİKET, ŞERİT, BOM	1					
31	H907000000	ETİKETLER, ORTAK	1					
31-1	H347000501	ETİKET, ACİL ÇIKIŞ	1					
31-2	H347009500	ETİKET, TASARIM ÖDÜLÜ	1					
31-3	H347004300	ETİKET, KALDIRMA NOKTASI	6					
31-4	H907000500	ETİKET, UYARI, DİSEL	1					
31-5	H907000600	ETİKET, HİDROLİK YAĞ	2					
31-6	H907000700	ETİKET, UYARI, HİDROLİK	1					
31-7	H907001900	ETİKET, GÜVENLİK, KABİN KORUMA	1					
31-8	H907001000	ETİKET, AKÜ UYARI	1					
31-9	H907001100	ETİKET, EMNİYETLİ KULLANIM	1					
31-10	H907001200	ETİKET, UYARI, SICAKLIK	2					
31-11	H907000300	ETİKET, GÜVENLİK, GENEL	1					
31-12	H347002400	ETİKET, JOYSTİK KULLANIM	1					
31-13	H907001600	ETİKET, HAVA FİLTRESİ	1					
31-14	H907001400	ETİKET, GÜVENLİK, ÖN CAM	1					

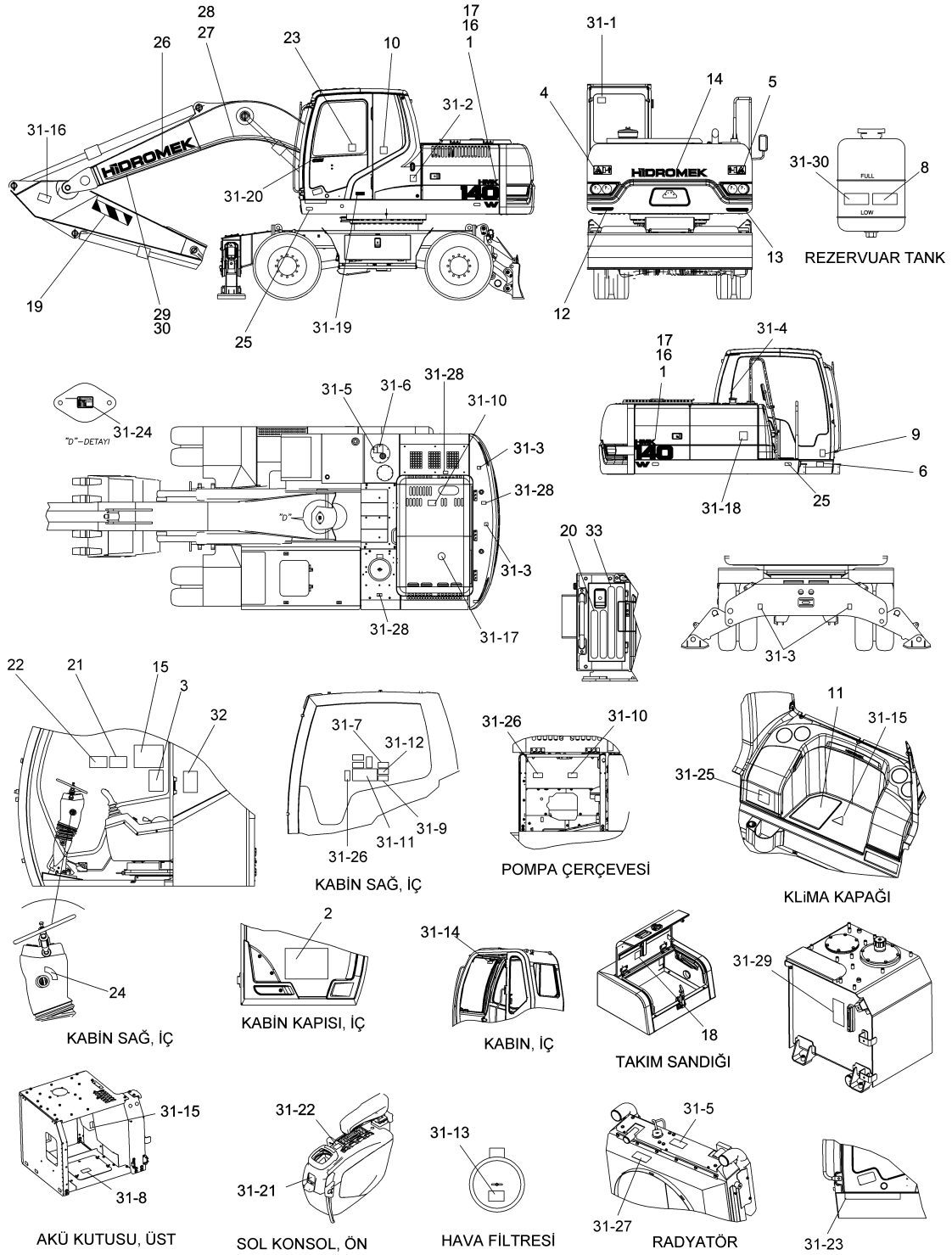




**ETİKETLER (İSPANYOLCA)**  
**DECALS (SPANISH)**

No	Parça No	Parça Adı	Description	Adet	S.K.	Bas.S.N	Bit.S.N	Y.K.	Not
No	Part no			Qty	SC	S/N from	S/N to	ICA	Note
31-15	Y0611340	ETİKET, ELEKTRİK İKAZ	DECAL, ELECTRIC WARNING	2					
31-16	H377007200	ETİKET, ARM	DECAL, ARM	1					
31-17	H907001300	ETİKET, UYARI, MOTOR KAPUTU	DECAL, WARNING, ENGINE HOOD	1					
31-18	H347051300	ETİKET, TURQUALITY	DECAL, TURQUALITY	1					
31-19	H347007700	ETİKET, OPERA	DECAL, OPERA	1					
31-20	H347007801	ETİKET, GEN	DECAL, GEN	1					
31-21	H347007900	ETİKET, JOYSTİK POZİSYON AYARI	DECAL, JOYSTICK POSITION ADJUSTING	1					
31-22	H347008000	ETİKET, EMNİYET KİLİDİ	DECAL, SAFETY LOCK	1					
31-23	H347008100	ETİKET, ŞERİT, KAYMA ÖNLEYİCİ	DECAL, STRIP, ANTI-SLIP	1					
31-24	H347010500	ETİKET, KULE DİŞLİSİ, GRES MİKTARI	DECAL, SWING RING GREASE	1					
31-25	Y0620495	ETİKET, SOĞUTUCU TORPİDO	DECAL, COOLBOX	1					
31-26	H907000200	ETİKET, UYARI, OPERATÖR EL KİTABI	DECAL, WARNING, OPERATOR'S BOOK	2					
31-27	H907000800	ETİKET, GÜVENLİK, FAN, KAYIŞ	DECAL, WARNING, FAN, BELT	1					
31-28	H907000900	ETİKET, GÜVENLİK, DÜŞME TEHLİKESİ	DECAL, SAFETY, DANGER OF FALLING	3					
31-29	H907002200	ETİKET, YAĞ SEVİYESİ	DECAL, OIL LEVEL	1					
31-30	H907002300	ETİKET, REZERVUAR TANK	DECAL, RESERVOIR TANK	1					
32	H207005700	ETİKET, UYARI	DECAL, WARNING	1					
33	H207043200	ETİKET, ŞERİT, KAYMA ÖNLEYİCİ	DECAL, STRIP, ANTI-SLIP	2					

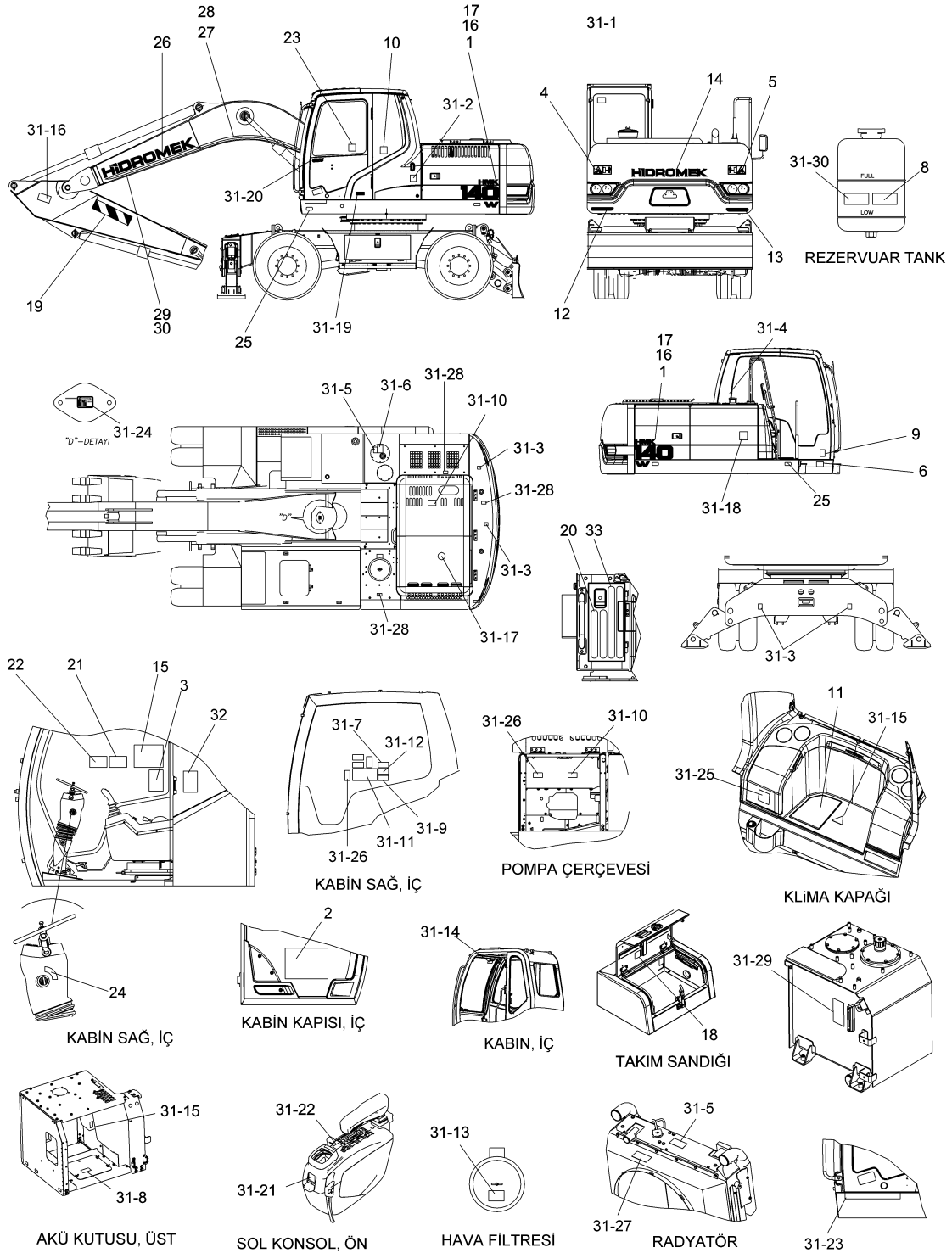
## ETİKETLER (PORTEKİZCE) DECALS (PORTUGUESE)



**ETİKETLER (PORTEKİZCE)  
DECALS (PORTUGUESE)**

No	Parça No	Parça Adı		Adet	S.K.	Bas.S.N	Bit.S.N	Y.K.	Not
No	Part no	Description		Qty	SC	S/N from	S/N to	ICA	Note
1	H307000100	ETİKET, MODEL	DECAL, MODEL	2					
2	H207050100	ETİKET, YAĞLAMA TABLOSU	DECAL, LUBRICATION TABLE	1					
3	H207050200	ETİKET, TEKNİK ÖZELLİKLER	DECAL, TECHNICAL SPECS	1					
4	H347000801	ETİKET, EMNİYETLİ MESAFE, SOL	DECAL, KEEP AWAY, LH	1					
5	H347000901	ETİKET, EMNİYETLİ MESAFE, SAĞ	DECAL, KEEP AWAY, RH	1					
6	H347060500	İSİM PLAKASI, MAKİNE	NAME PLATE, MACHINE	1					
8	H347018700	ETİKET, ANTIFRİZ	DECAL, ANTIFREEZE	1					
9	H207042900	ETİKET, GÜRÜLTÜ SEVİYESİ, DIŞ	DECAL, SOUND LEVEL, OUTSIDE	1					
10	H207043000	ETİKET, GÜRÜLTÜ SEVİYESİ, İÇ	DECAL, NOISE LEVEL, INNER	1					
11	H237043901	ETİKET, SİGORTA KUTUSU	DECAL, FUSE BOX	1					
12	H257006500	REFLEKTÖR, SOL	REFLECTOR, LH	1					
13	H257006400	REFLEKTÖR, SAĞ	REFLECTOR, RH	1					
14	H207000500	ETİKET, LOGO, ARKA AĞIRLIK	DECAL, LOGO, C/WEIGHT	1					
15	H207050300	ETİKET, KALDIRMA KAPASİTESİ	DECAL, LIFTING CAPACITY	1					
16	H347055400	ETİKET, MODEL, HMK	DECAL, MODEL, HMK	2					
17	H237030800	ETİKET, MODEL, W	DECAL, MODEL, W	2					
18	H347018800	ETİKET, YAKIT UYARI	DECAL, WARNING, FUEL	1					
19	H227001500	ETİKET, REFLEKTÖR, ARM	DECAL, REFLECTOR, ARM	2					
20	H207043100	ETİKET, ŞERİT, KAYMA ÖNLEYİCİ	DECAL, STRIP, ANTI-SLIP	2					
21	H237043800	ETİKET, UYARI	DECAL, WARNING	1					
22	H237000702	ETİKET, DOZER-AYAK KUMANDA	DECAL, DOZER-OUTRIGGER OPERATION	1					
24	H237000900	ETİKET, MOD SEÇİMİ	DECAL, MODE SELECTION	1					
25	H237005400	REFLEKTÖR	REFLECTOR	4					
26	H307001000	ETİKET, LOGO, BOM	DECAL, LOGO, BOOM	2					
27	H307001100	ETİKET, ŞERİT, BOM	DECAL, STRIP, BOOM	1					
28	H307001300	ETİKET, ŞERİT, BOM	DECAL, STRIP, BOOM	1					
29	H307001200	ETİKET, ŞERİT, BOM	DECAL, STRIP, BOOM	1					
30	H307001400	ETİKET, ŞERİT, BOM	DECAL, STRIP, BOOM	1					
31	H907000000	ETİKETLER, ORTAK	DECALS, COMMON	1					
31-1	H347000501	ETİKET, ACİL ÇIKIŞ	DECAL, EMERGENCY EXIT	1					
31-2	H347009500	ETİKET, TASARIM ÖDÜLÜ	DECAL, DESIGN AWARD	1					
31-3	H347004300	ETİKET, KALDIRMA NOKTASI	DECAL, LIFTING POINT	6					
31-4	H907000500	ETİKET, UYARI, DİSEL	DECAL, WARNING, DIESEL	1					
31-5	H907000600	ETİKET, HİDROLİK YAĞ	DECAL, HYDRAULIC OIL	2					
31-6	H907000700	ETİKET, UYARI, HİDROLİK	DECAL, WARNING, HYDRAULIC	1					
31-7	H907001900	ETİKET, GÜVENLİK, KABİN KORUMA	DECAL, SAFETY, CAB GUARD	1					
31-8	H907001000	ETİKET, AKÜ UYARI	DECAL, WARNING, BATTERY	1					
31-9	H907001100	ETİKET, EMNİYETLİ KULLANIM	DECAL, SAFETY USAGE	1					
31-10	H907001200	ETİKET, UYARI, SICAKLIK	DECAL, WARNING, TEMPERATURE	2					
31-11	H907000300	ETİKET, GÜVENLİK, GENEL	DECAL, SAFETY, GENERAL	1					
31-12	H347002400	ETİKET, JOYSTİK KULLANIM	DECAL, JOYSTICK OPERATION	1					
31-13	H907001600	ETİKET, HAVA FİLTRESİ	DECAL, AIR FILTER	1					
31-14	H907001400	ETİKET, GÜVENLİK, ÖN CAM	DECAL, SAFETY, FRONT WINDOW	1					

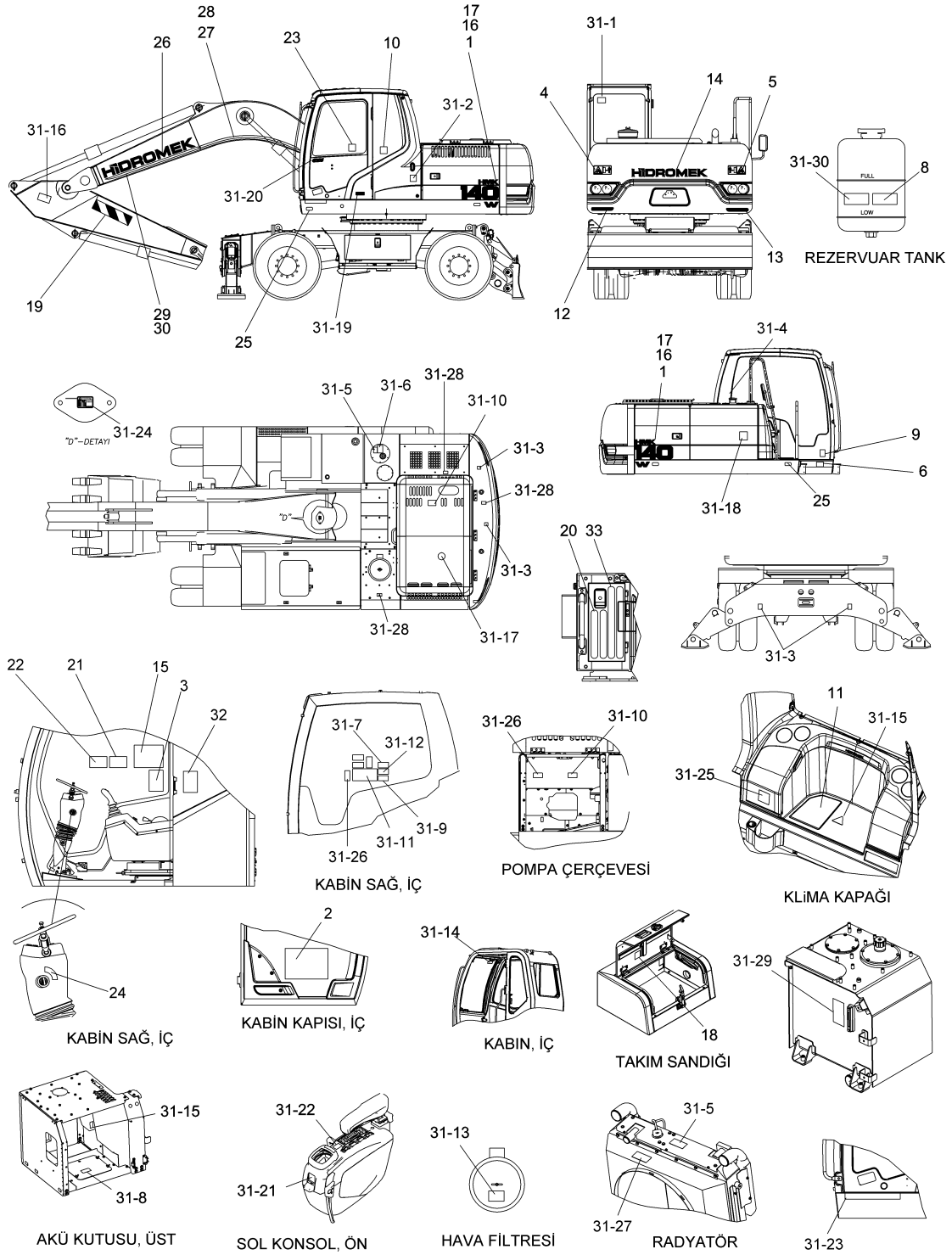
## ETİKETLER (PORTEKİZCE) DECALS (PORTUGUESE)



**ETİKETLER (PORTEKİZCE)  
DECALS (PORTUGUESE)**

No	Parça No	Parça Adı	Description	Adet	S.K.	Bas.S.N	Bit.S.N	Y.K.	Not
No	Part no			Qty	SC	S/N from	S/N to	ICA	Note
31-15	Y0611340	ETİKET, ELEKTRİK İKAZ	DECAL, ELECTRIC WARNING	2					
31-16	H377007200	ETİKET, ARM	DECAL, ARM	1					
31-17	H907001300	ETİKET, UYARI, MOTOR KAPUTU	DECAL, WARNING, ENGINE HOOD	1					
31-18	H347051300	ETİKET, TURQUALITY	DECAL, TURQUALITY	1					
31-19	H347007700	ETİKET, OPERA	DECAL, OPERA	1					
31-20	H347007801	ETİKET, GEN	DECAL, GEN	1					
31-21	H347007900	ETİKET, JOYSTİK POZİSYON AYARI	DECAL, JOYSTICK POSITION ADJUSTING	1					
31-22	H347008000	ETİKET, EMNİYET KİLİDİ	DECAL, SAFETY LOCK	1					
31-23	H347008100	ETİKET, ŞERİT, KAYMA ÖNLEYİCİ	DECAL, STRIP, ANTI-SLIP	1					
31-24	H347010500	ETİKET, KULE DİŞLİSİ, GRES MİKTARI	DECAL, SWING RING GREASE	1					
31-25	Y0620495	ETİKET, SOĞUTUCU TORPİDO	DECAL, COOLBOX	1					
31-26	H907000200	ETİKET, UYARI, OPERATÖR EL KİTABI	DECAL, WARNING, OPERATOR'S BOOK	2					
31-27	H907000800	ETİKET, GÜVENLİK, FAN, KAYIŞ	DECAL, WARNING, FAN, BELT	1					
31-28	H907000900	ETİKET, GÜVENLİK, DÜŞME TEHLİKESİ	DECAL, SAFETY, DANGER OF FALLING	3					
31-29	H907002200	ETİKET, YAĞ SEVİYESİ	DECAL, OIL LEVEL	1					
31-30	H907002300	ETİKET, REZERVUAR TANK	DECAL, RESERVOIR TANK	1					
32	H207005700	ETİKET, UYARI	DECAL, WARNING	1					
33	H207043200	ETİKET, ŞERİT, KAYMA ÖNLEYİCİ	DECAL, STRIP, ANTI-SLIP	2					

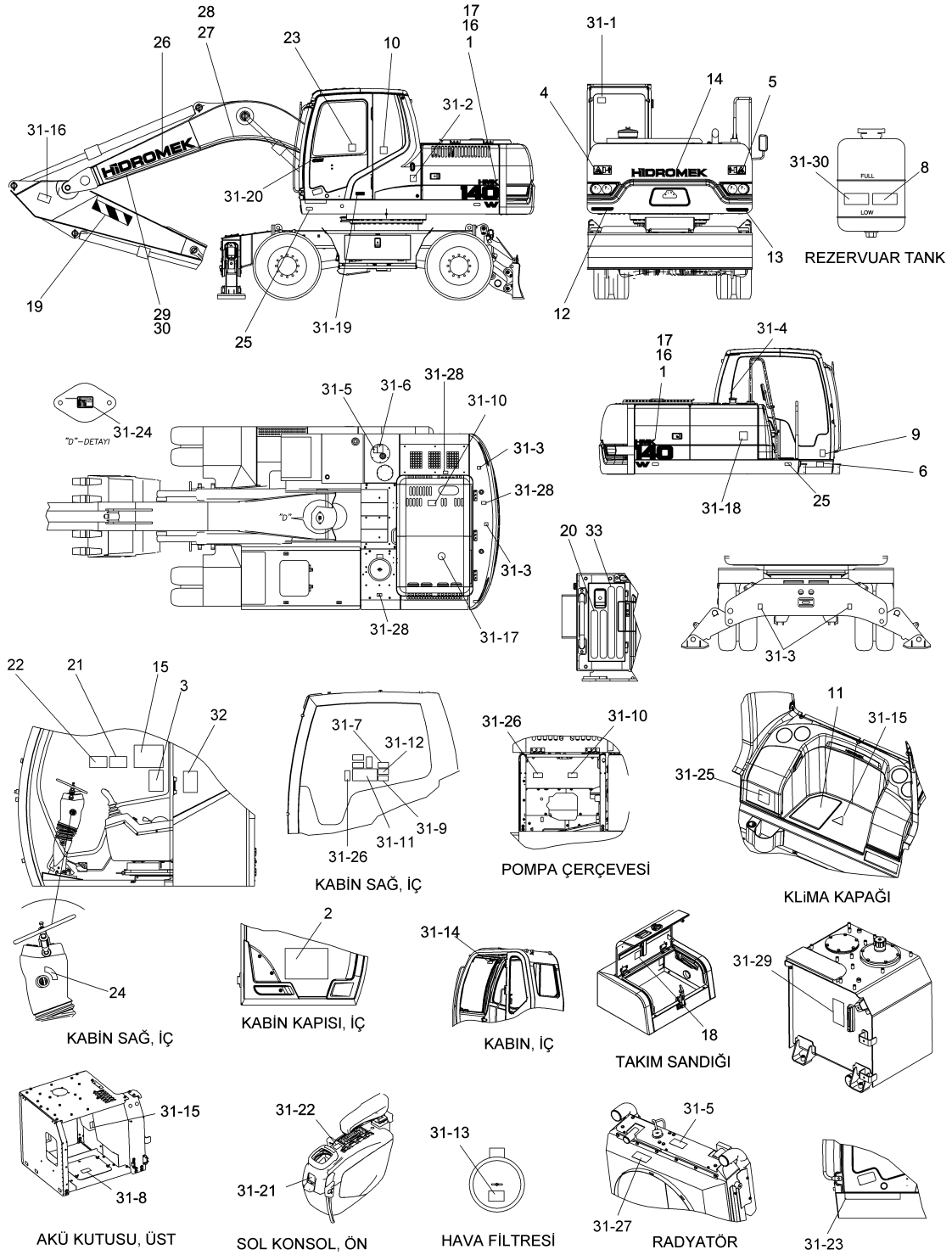
## ETİKETLER (FRANSIZCA) DECALS (FRENCH)



**ETİKETLER (FRANSIZCA)  
DECALS (FRENCH)**

No	Parça No	Parça Adı	Adet	S.K.	Bas.S.N	Bit.S.N	Y.K.	Not
No	Part no	Description	Qty	SC	S/N from	S/N to	ICA	Note
1	H307000100	ETİKET, MODEL	2					
2	H207052600	ETİKET, YAĞLAMA TABLOSU	1					
3	H207052700	ETİKET, TEKNİK ÖZELLİKLER	1					
4	H347000801	ETİKET, EMNİYETLİ MESAFE, SOL	1					
5	H347000901	ETİKET, EMNİYETLİ MESAFE, SAĞ	1					
6	H347015200	İSİM PLAKASI, MAKİNE	1					
8	H347016900	ETİKET, ANTIFRİZ	1					
9	H207042900	ETİKET, GÜRÜLTÜ SEVİYESİ, DIŞ	1					
10	H207043000	ETİKET, GÜRÜLTÜ SEVİYESİ, İÇ	1					
11	H237053400	ETİKET, SİGORTA KUTUSU	1					
12	H257006500	REFLEKTÖR, SOL	1					
13	H257006400	REFLEKTÖR, SAĞ	1					
14	H207000500	ETİKET, LOGO, ARKA AĞIRLIK	1					
15	H207052800	ETİKET, KALDIRMA KAPASİTESİ	1					
16	H347055400	ETİKET, MODEL, HMK	2					
17	H237030800	ETİKET, MODEL, W	2					
18	H347050500	ETİKET, YAKIT UYARI	1					
19	H227001500	ETİKET, REFLEKTÖR, ARM	2					
20	H207043100	ETİKET, ŞERİT, KAYMA ÖNLEYİCİ	2					
21	H237029500	ETİKET, UYARI	1					
22	H237000702	ETİKET, DOZER-AYAK KUMANDA	1					
24	H237000900	ETİKET, MOD SEÇİMİ	1					
25	H237005400	REFLEKTÖR	4					
26	H307001000	ETİKET, LOGO, BOM	2					
27	H307001100	ETİKET, ŞERİT, BOM	1					
28	H307001300	ETİKET, ŞERİT, BOM	1					
29	H307001200	ETİKET, ŞERİT, BOM	1					
30	H307001400	ETİKET, ŞERİT, BOM	1					
31	H907000000	ETİKETLER, ORTAK	1					
31-1	H347000501	ETİKET, ACİL ÇIKIŞ	1					
31-2	H347009500	ETİKET, TASARIM ÖDÜLÜ	1					
31-3	H347004300	ETİKET, KALDIRMA NOKTASI	6					
31-4	H907000500	ETİKET, UYARI, DİSEL	1					
31-5	H907000600	ETİKET, HİDROLİK YAĞ	2					
31-6	H907000700	ETİKET, UYARI, HİDROLİK	1					
31-7	H907001900	ETİKET, GÜVENLİK, KABİN KORUMA	1					
31-8	H907001000	ETİKET, AKÜ UYARI	1					
31-9	H907001100	ETİKET, EMNİYETLİ KULLANIM	1					
31-10	H907001200	ETİKET, UYARI, SICAKLIK	2					
31-11	H907000300	ETİKET, GÜVENLİK, GENEL	1					
31-12	H347002400	ETİKET, JOYSTİK KULLANIM	1					
31-13	H907001600	ETİKET, HAVA FİLTRESİ	1					
31-14	H907001400	ETİKET, GÜVENLİK, ÖN CAM	1					

## ETİKETLER (FRANSIZCA) DECALS (FRENCH)





**ETİKETLER (FRANSIZCA)  
DECALS (FRENCH)**

No	Parça No	Parça Adı	Description	Adet	S.K.	Bas.S.N	Bit.S.N	Y.K.	Not
No	Part no			Qty	SC	S/N from	S/N to	ICA	Note
31-15	Y0611340	ETİKET, ELEKTRİK İKAZ	DECAL, ELECTRIC WARNING	2					
31-16	H377007200	ETİKET, ARM	DECAL, ARM	1					
31-17	H907001300	ETİKET, UYARI, MOTOR KAPUTU	DECAL, WARNING, ENGINE HOOD	1					
31-18	H347051300	ETİKET, TURQUALITY	DECAL, TURQUALITY	1					
31-19	H347007700	ETİKET, OPERA	DECAL, OPERA	1					
31-20	H347007801	ETİKET, GEN	DECAL, GEN	1					
31-21	H347007900	ETİKET, JOYSTİK POZİSYON AYARI	DECAL, JOYSTICK POSITION ADJUSTING	1					
31-22	H347008000	ETİKET, EMNİYET KİLİDİ	DECAL, SAFETY LOCK	1					
31-23	H347008100	ETİKET, ŞERİT, KAYMA ÖNLEYİCİ	DECAL, STRIP, ANTI-SLIP	1					
31-24	H347010500	ETİKET, KULE DİŞLİSİ, GRES MİKTARI	DECAL, SWING RING GREASE	1					
31-25	Y0620495	ETİKET, SOĞUTUCU TORPİDO	DECAL, COOLBOX	1					
31-26	H907000200	ETİKET, UYARI, OPERATÖR EL KİTABI	DECAL, WARNING, OPERATOR'S BOOK	2					
31-27	H907000800	ETİKET, GÜVENLİK, FAN, KAYIŞ	DECAL, WARNING, FAN, BELT	1					
31-28	H907000900	ETİKET, GÜVENLİK, DÜŞME TEHLİKESİ	DECAL, SAFETY, DANGER OF FALLING	3					
31-29	H907002200	ETİKET, YAĞ SEVİYESİ	DECAL, OIL LEVEL	1					
31-30	H907002300	ETİKET, REZERVUAR TANK	DECAL, RESERVOIR TANK	1					
32	H207005700	ETİKET, UYARI	DECAL, WARNING	1					
33	H207043200	ETİKET, ŞERİT, KAYMA ÖNLEYİCİ	DECAL, STRIP, ANTI-SLIP	2					

# Z - MOTOR PARÇALARI

## Z - ENGINE PARTS

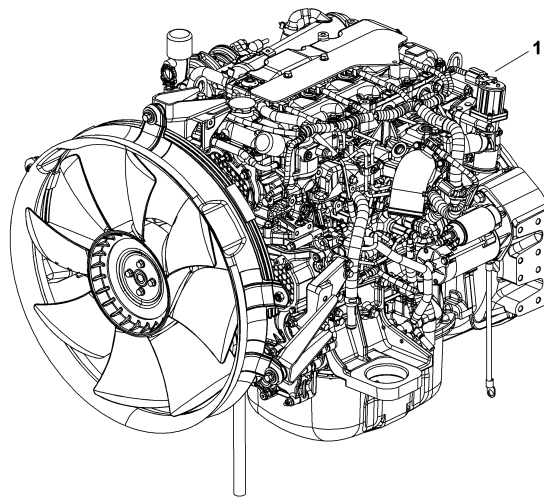
Sayfa No / Page No	Sayfa Adı	Page Name	Revizyon / Revision
Z010.00.01	MOTOR	ENGINE	
Z020.00.01	KÜLBÜTÖR KAPAĞI	ROCKER ARM COVER	
Z020.00.02	SİLİNDİR KAPAĞI 1	CYLINDER HEAD 1	
Z020.00.03	SİLİNDİR KAPAĞI 2	CYLINDER HEAD 2	
Z020.00.04	SİLİNDİR BLOĞU	CYLINDER BLOCK	
Z020.00.05	KAM MİLİ VE SUPAPLAR	CAM SHAFT & VALVE	
Z020.00.06	ZAMANLAMA DİŞLİSİ	TIMING GEAR	
Z020.00.07	DİŞLİ KUTUSU KAPAĞI	GEAR CASE COVER	
Z020.00.08	VOLAN MUHAFAZASI	FLYWHEEL HOUSING	
Z020.00.09	KRANK MİLİ, PİSTON VE VOLAN	CRANKSHAFT, PISTON & FLYWHEEL	
Z020.00.10	MOTOR TAMİR TAKIMI	ENGINE OVERHAUL GASKET KIT	
Z020.00.11	SİLİNDİR KAPAĞI TAMİR TAKIMI	CYLINDER HEAD GASKET KIT	
Z030.00.01	YAĞ SEVİYE ÇUBUĞU & YAĞ KARTERİ	OIL LEVEL GAUGE & OIL PAN	
Z030.00.02	YAĞ FİLTRESİ VE SOĞUTUCUSU	OIL FILTER & COOLER	
Z030.00.03	YAĞ POMPASI VE YAĞ SÜZGEÇİ	OIL PUMP & STRAINER	
Z030.00.04	YAĞ VE VAKUM TESİSATI	OIL & VACUUM PIPING	
Z030.00.05	HAVALANDIRMA SİSTEMİ	VENTILATION SYSTEM	
Z040.00.01	SU POMPASI VE KOROZYON ÖNLEYİCİ	WATER PUMP & CORROSION RESISTOR	
Z040.00.02	TERMOSTAT	THERMOSTAT	
Z040.00.03	FAN VE FAN KAYIŞI	FAN & FAN BELT	
Z040.00.04	FAN MUHAFAZASI	FAN GUARD	
Z050.00.01	YAKIT BESLEME POMPASI	FUEL FEED PUMP	
Z050.00.02	YAKIT ENJEKSİYON SİSTEMİ 1	FUEL INJECTION SYSTEM 1	
Z050.00.03	YAKIT ENJEKSİYON SİSTEMİ 2	FUEL INJECTION SYSTEM 2	
Z050.00.04	YAKIT FİLTRESİ	FUEL FILTER	
Z060.00.01	MARŞ MOTORU	STARTER	
Z060.00.02	ALTERNATÖR	GENERATOR	
Z060.00.03	MOTOR ELEKTRİK TESİSATI	ENGINE WIRING HARNESS	
Z060.00.04	ELEKTRİK TESİSATI SABİTLEME ELEMANLARI	HARNESS FIXING PARTS	
Z060.00.05	ELEKTRİK KONTROL PARÇALARI 1	ELECTRIC CONTROL PARTS 1	
Z060.00.06	ELEKTRİK KONTROL PARÇALARI 2	ELECTRIC CONTROL PARTS 2	
Z070.00.01	EMME MANİFOLDU	INLET MANIFOLD	
Z070.00.02	EGZOZ MANİFOLDU	EXHAUST MANIFOLD	

## Z - MOTOR PARÇALARI

### Z - ENGINE PARTS

Sayfa No / Page No	Sayfa Adı	Page Name	Revizyon / Revision
Z070.00.03	TURBOŞARJ SİSTEMİ	TURBOCHARGER SYSTEM	
Z070.00.04	EGR	EGR	
Z070.00.05	EGR SOĞUTUCU TESİSATI	EGR WATER PIPING	

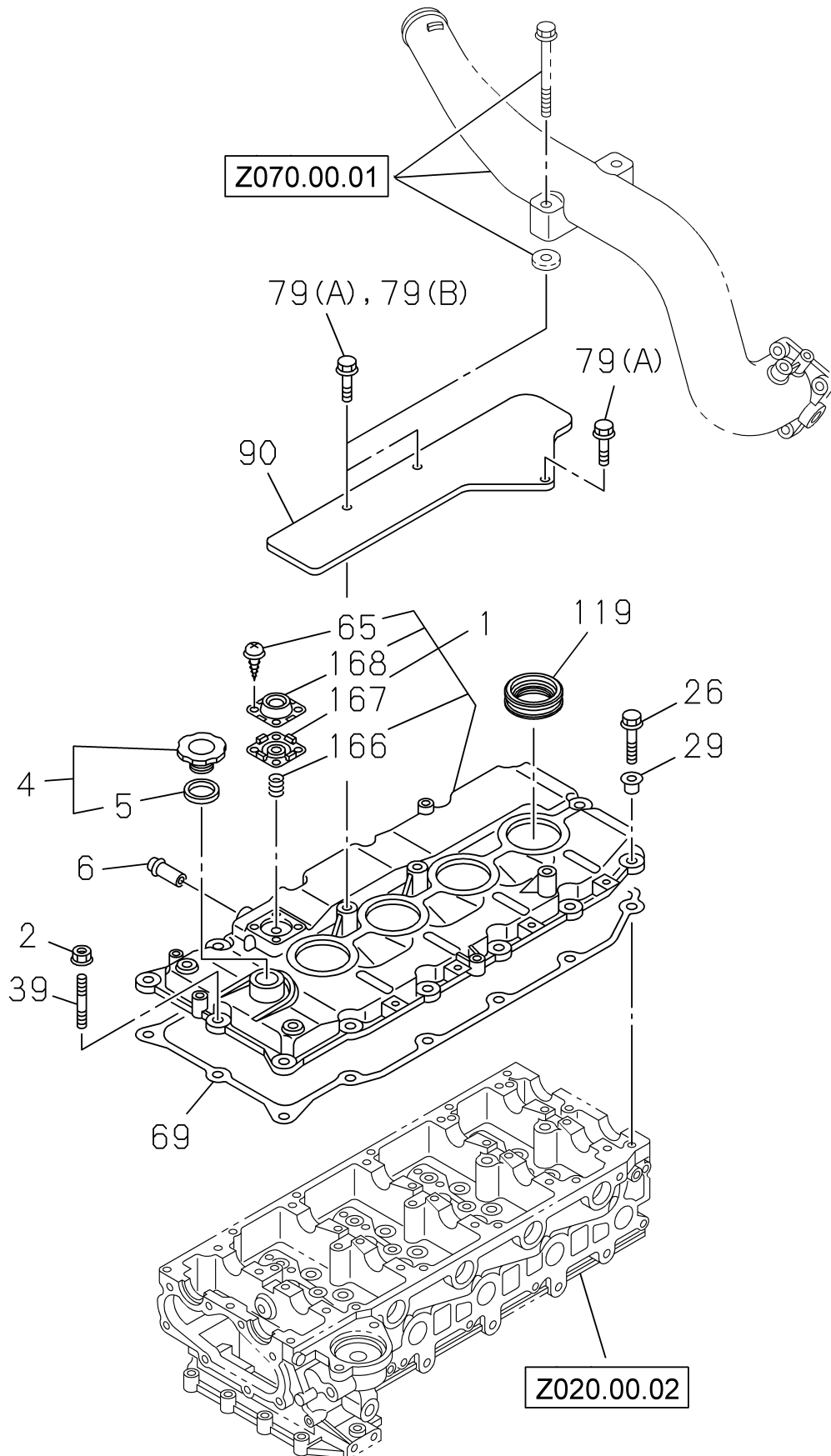
# MOTOR ENGINE



**MOTOR  
ENGINE**

No	Parça No	Parça Adı		Adet	S.K.	Bas.S.N	Bit.S.N	Y.K.	Not
No	Part no		Description	Qty	SC	S/N from	S/N to	ICA	Note
1	H202010100	MOTOR, 4JJ1X	ENGINE, 4JJ1X	1					

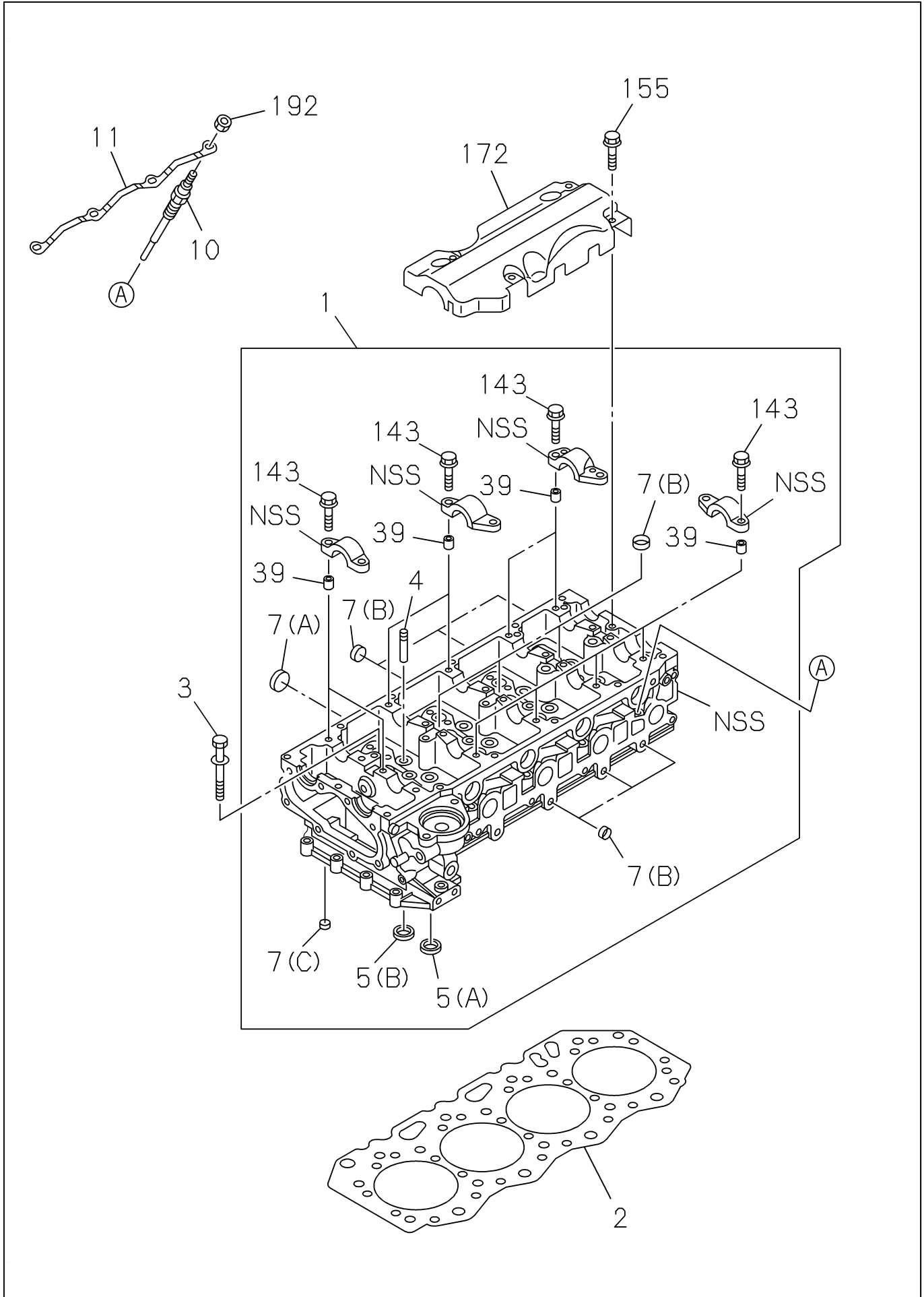
### KÜLBÜTÖR KAPAĞI ROCKER ARM COVER



## KÜLBÜTÖR KAPAĞI ROCKER ARM COVER

No	Parça No	Parça Adı	Description	Adet	S.K.	Bas.S.N	Bit.S.N	Y.K.	Not
No	Part no			Qty	SC	S/N from	S/N to	ICA	Note
1	H209004299	SİLİNDİR KAPAĞI	COVER, CYL HD	1				A	201205-2013 02
1	H209004352	SİLİNDİR KAPAĞI	COVER, CYL HD	1				A	201303-
2	H209004039	SOMUN	NUT	1					M6
4	H209004090	YAĞ DOLDURMA KAPAĞI	CAP, OIL FILLER	1					
5	H209004088	CONTA	GASKET	1					ID=32 OD=40
6	H209004292	BORU	PIPE, PCV HOSE	1					
26	H209004018	CIVATA	BOLT	13					M6x30
29	H209004182	LASTİK	RUBBER, MTG, HD COVER, OUTER	14					200610-2013 11
29	H209004182A	LASTİK	RUBBER, MTG, HD COVER, OUTER	14				A	201312-
39	H209004175	SAPLAMA	STUD, COVER, HD	1					M6x30
65	H209004412	VİDA	SCREW, ADAPTER	4					M5x10
69	H209004416	CONTA	GASKET, HD TO COVER	1					
79A	H349004357	CIVATA	BOLT	3					M8x20
79B	H349004381	CIVATA	BOLT	2					M8x25
90	H209004345	KAPAK	COVER, NOZZLE, INJ	1					
119	H209004262	KAPAK	COVER, SEAL, NOZZLE	4					
166	H209004165	YAY	SPRING, VENTILATOR	1					
167	H209004351	DİYAFRAM, VANTİLATÖR	DIAPHRAGM, VENTILATOR	1					
168	H209004164	KAPAK	COVER, VENTILATOR	1					

**SİLİNDİR KAPAĞI 1**  
**CYLINDER HEAD 1**

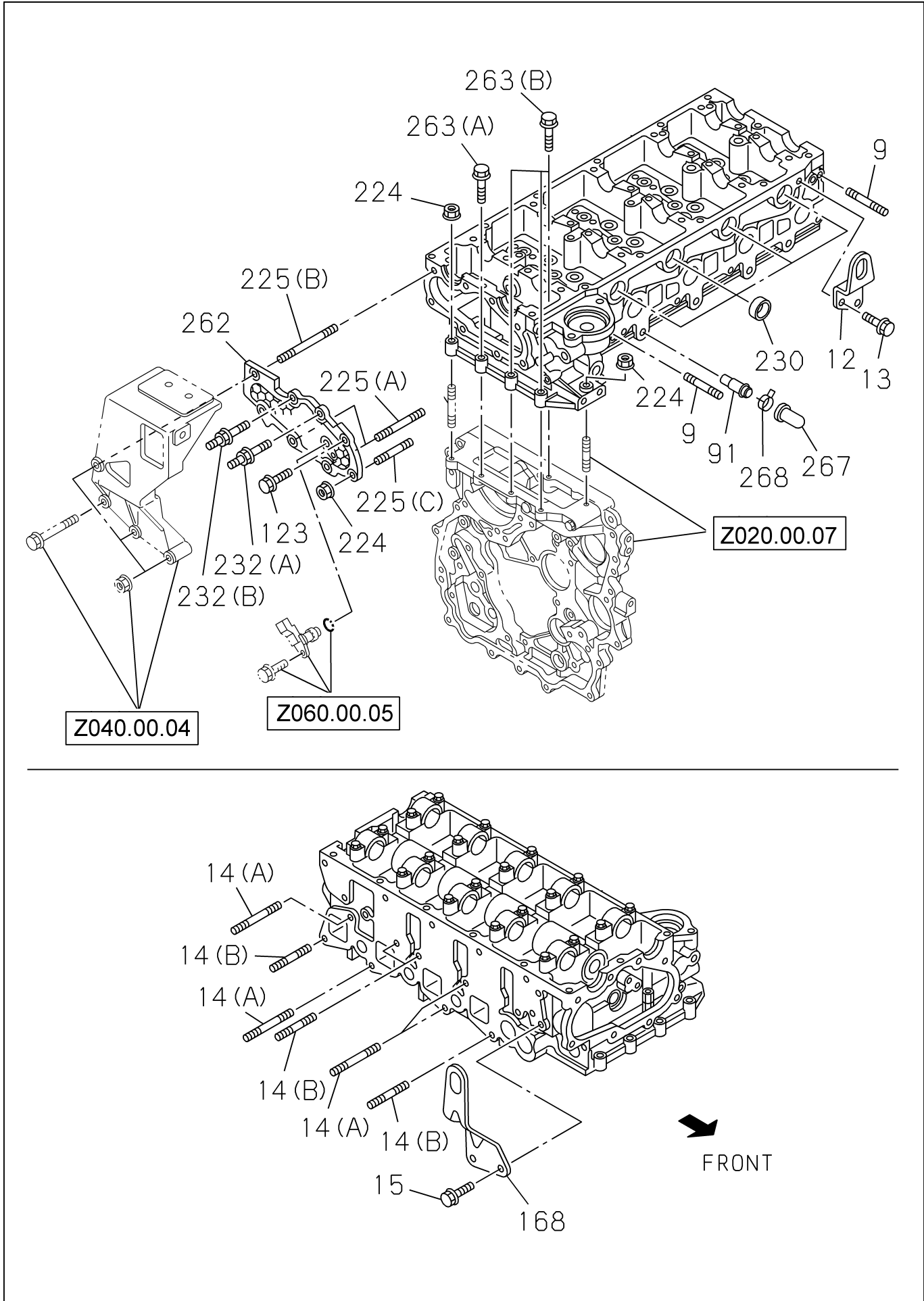




## SİLİNDİR KAPAĞI 1 CYLINDER HEAD 1

No	Parça No	Parça Adı	Adet	S.K.	Bas.S.N	Bit.S.N	Y.K.	Not
No	Part no	Description	Qty	SC	S/N from	S/N to	ICA	Note
1	H209004331A	SİLİNDİR KAPAĞI KOMPLESİ	1					201101-2013 06
1	H209004331B	SİLİNDİR KAPAĞI KOMPLESİ	1					201307-
2	H209004144	CONTA	1					T=1.05
2	H209004144A	CONTA	1					T=1.05
2	H209004145	CONTA	1					T=1.10
2	H209004145A	CONTA	1					T=1.10
2	H209004146	CONTA	1					T=1.15
2	H209004146A	CONTA	1					T=1.15
3	H209004344	CIVATA	18					M11x114
4	H209004094	KILAVUZ, SUPAP	16					
5A	H209004128	YÜKSÜK	8					
5B	H209004129	YÜKSÜK	8					
7A	H259002071	SIZDIRMAZLIK ELEMANI	2					OD=32
7B	H209004065	SIZDIRMAZLIK ELEMANI	13					OD=18
7C	H209004066	SIZDIRMAZLIK ELEMANI	7					OD=14
10	H209004300	KIZDIRMA BUJİSİ	4					
11	H209004214	ENERJİ SACI, KIZDIRMA BUJİSİ	1					
39	H209004147	DÜBEL	20					
143	H259002271	CIVATA	20					M8X40
155	H209004033	CIVATA	4					M6X10
172	H209004217	SAC	1					
192	H349004186	SOMUN	4					M4

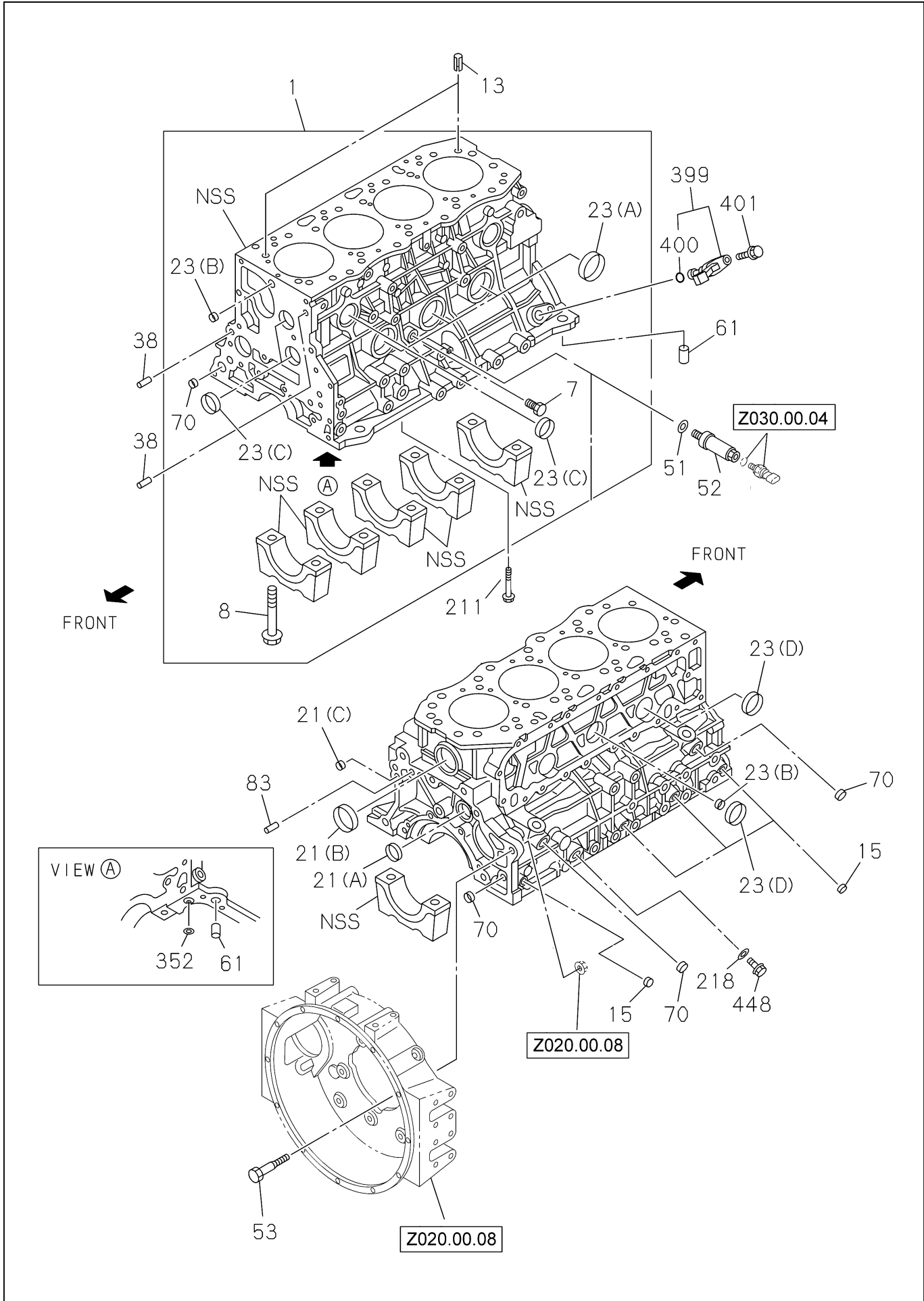
### SİLİNDİR KAPAĞI 2 CYLINDER HEAD 2



## SİLİNDİR KAPAĞI 2 CYLINDER HEAD 2

No	Parça No	Parça Adı		Adet	S.K.	Bas.S.N	Bit.S.N	Y.K.	Not
No	Part no	Description		Qty	SC	S/N from	S/N to	ICA	Note
9	H349004317A	SAPLAMA	STUD	2					M8x71
12	H209004298	ASKI	HANGER, ENG, RR	1					
13	H349004357	CIVATA	BOLT	2					M8x20
14A	H209004127	SAPLAMA	STUD, EXH MANIF	4					M10x33
14B	H209004294	SAPLAMA	STUD	4					M10x70
15	H209004020	CIVATA	BOLT, HANGER, FRT	2					M10x25
91	H209004097	BORU	PIPE, HTR	1					
123	H209004166	CIVATA	BOLT, COVER	1					M8x20
168	H209004250	ASKI	HANGER, ENG, FRT	1					
224	H349004179	SOMUN	NUT	3					M8
225A	H209004028	SAPLAMA	STUD	2					M8x50
225B	H209004204	SAPLAMA	STUD, COVER	1					M8x80
225C	H209004223	SAPLAMA	STUD, COVER	1					M8x15.5
230	H349004187	CONTA	GASKET	4					
232A	H209004167	SAPLAMA	STUD, CAM, CARRIER	1					M8x15 M8x17
232B	H209004176	SAPLAMA	STUD, CAM, CARRIER	1					M6x12 M8x17
262	H209004154	KAPAK	COVER, CYL HEAD	1					
263A	H349004432	CIVATA	BOLT	1					M8x60
263B	H349004162	CIVATA	BOLT	3					M8x35
267	H209004086	KAPAK	CAP, RUBBER	1					
268	H209004089	KELEPÇE	CLIP, WATER HOSE	1					ID=20.8

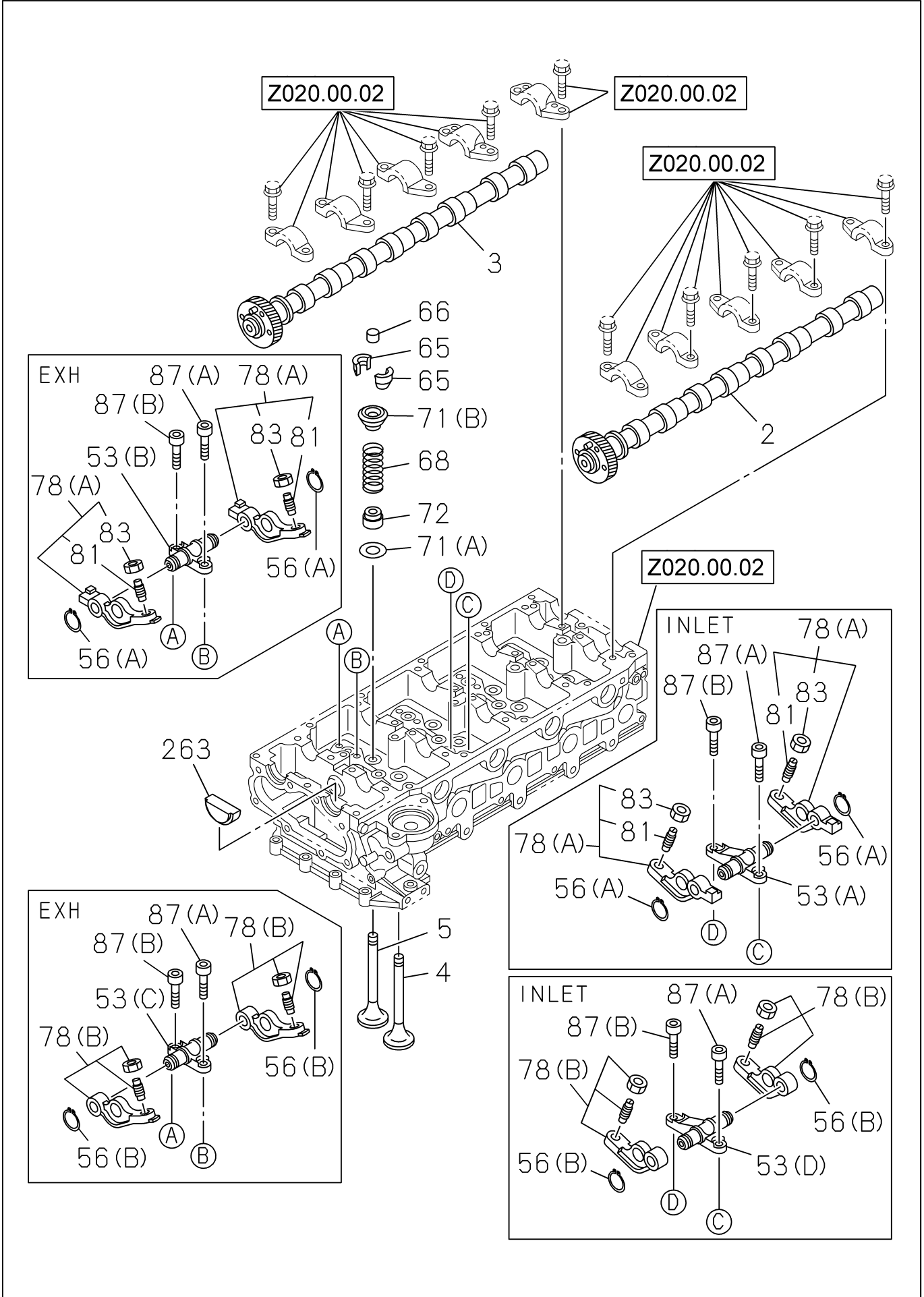
### SİLİNDİR BLOĞU CYLINDER BLOCK



**SİLİNDİR BLOĞU  
CYLINDER BLOCK**

No	Parça No	Parça Adı		Adet	S.K.	Bas.S.N	Bit.S.N	Y.K.	Not
No	Part no	Description		Qty	SC	S/N from	S/N to	ICA	Note
1	H209004354	SİLİNDİR BLOĞU KOMPLESİ	BLOCK ASM, CYL	1				A	201210-2013 02
1	H209004350	SİLİNDİR BLOĞU KOMPLESİ	BLOCK ASM, CYL	1				A	201303-
7	H209004364	TAPA	PLUG, WATER DRAIN	1					
8	H209004103	CIVATA	BOLT, BRG CAP	10					M14X89
13	H209004107	DÜBEL	DOWEL, C/BL TO HD	2					
15	H349004416	TAPA	PLUG	5					
21A	H349004211	SIZDIRMAZLIK ELEMANI	CUP, SEALING	1					OD=12.3
21B	H209004068	SIZDIRMAZLIK ELEMANI	CUP, SEALING	1					OD=38
21C	H209004069	SIZDIRMAZLIK ELEMANI	CUP, SEALING	1					OD=36
23A	H209004065	SIZDIRMAZLIK ELEMANI	CUP, SEALING	2					OD=18
23B	H209004067	SIZDIRMAZLIK ELEMANI	CUP, SEALING	4					OD=32
23C	H209004069	SIZDIRMAZLIK ELEMANI	CUP, SEALING	2					OD=36
23D	H349004200	SIZDIRMAZLIK ELEMANI	CUP, SEALING	3					OD=45
38	H349004205	PİM	PIN	2					L=20 OD=10
51	H209004096	CONTA	GASKET, OIL PRESS WARNING SW, C/BL	1					
52	H209004227	NİPEL	NIPPLE, OIL PRESS WARNING SW, C/BL	1					
53	H209004363	CIVATA	BOLT, REAMER	1					M10X43
61	H209004365	PİM	PIN, STRAIGHT	2					
70	H349004177	SIZDIRMAZLIK ELEMANI	CUP, SEALING	6					OD=16
83	H209004355	PİM	PIN, FLYWHEEL HSG	1					
211	H349004441	CIVATA	BOLT	19					M8X25
218	H209004362	CONTA	GASKET, PLUG, C/BL SIDE	1					ID=14.2 OD=20
352	H209004313	CONTA	GASKET, C/BL TO CRANKCASE	1					
399	H209004130	SENSÖR, KAM MİLİ AÇISI	SENSOR, CAMSHAFT POSITION	1					
400	H209004169	CONTA	GASKET, SENSOR	1					
401	H349004555	CIVATA	BOLT	1					M6X16
448	H209004092	TAPA	PLUG, C/BL	1					M14X14

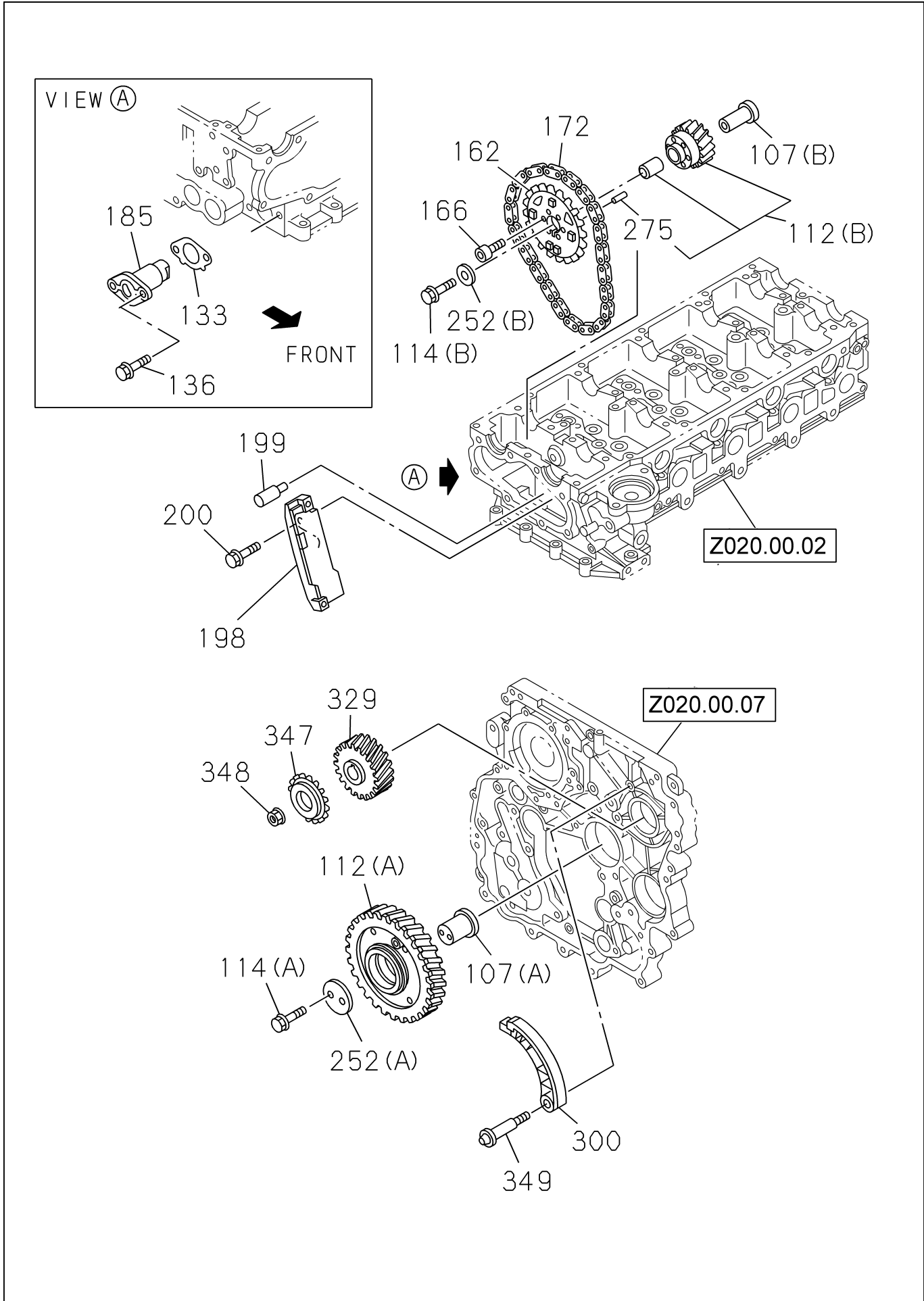
### KAM MİLİ VE SUPAPLAR CAM SHAFT & VALVE



### KAM MİLİ VE SUPAPLAR CAM SHAFT & VALVE

No	Parça No	Parça Adı		Adet	S.K.	Bas.S.N	Bit.S.N	Y.K.	Not
No	Part no	Description		Qty	SC	S/N from	S/N to	ICA	Note
2	H209004201	KAM MİLİ, EMME	CAMSHAFT, INL	1					
3	H209004202	KAM MİLİ, EGZOZ	CAMSHAFT, EXH	1					
4	H209004220	SUPAP, EMME	VALVE, INL	8					
5	H209004221	SUPAP, EGZOZ	VALVE, EXH	8					
53A	H209004162	KÜLBÜTÖR MİLİ	SHAFT, ROCKER ARM	4					
53B	H209004163	KÜLBÜTÖR MİLİ	SHAFT, ROCKER ARM	4					
53C	H209004252	KÜLBÜTÖR MİLİ	SHAFT, ROCKER ARM	4					
53D	H209004253	KÜLBÜTÖR MİLİ	SHAFT, ROCKER ARM	4					
56A	H209004254	SEGMAN	RING, SNAP, ROCKER ARM	16					
56B	H209004315	SEGMAN	RING, SNAP, ROCKER ARM	16					
65	H209004095	SEGMAN	COLLAR, SPLIT	32					
66	H209004321	KAPAK	CAP, VLV STEM END	16					
68	H209004282	YAY	SPRING, VLV	16					
71A	H209004115	YAY TUTUCU	SEAT, SPR	16					
71B	H209004224	YAY TUTUCU	SEAT, SPR	16					
72	H209004142	KEÇE	SEAL, VLV GUIDE	16					
78A	H209004251	KOL, KÜLBÜTÖR	ARM, ROCKER	16					
78B	H209004258	KOL, KÜLBÜTÖR	ARM, ROCKER	16					
81	H209004259	CIVATA	SCREW, ROCKER ARM	16					
83	H349004235	SOMUN	NUT, ADJ SCREW LK BRIDGE	16					
87A	H209004035	CIVATA	BOLT, ROCKER SHAFT	8					M8X25
87B	H209004036	CIVATA	BOLT, ROCKER SHAFT	8					M8X40

### ZAMANLAMA DİŞLİSİ TIMING GEAR





## ZAMANLAMA DİŞLİSİ TIMING GEAR

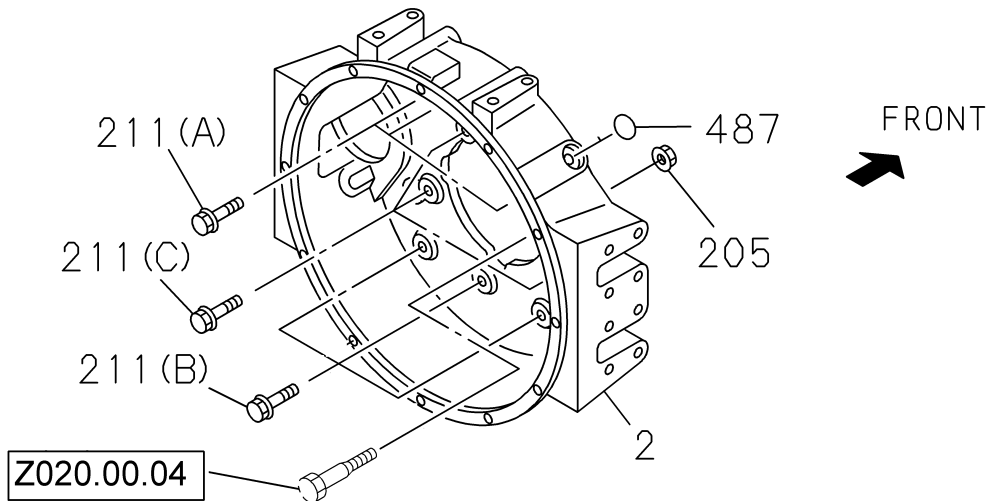
No	Parça No	Parça Adı	Adet	S.K.	Bas.S.N	Bit.S.N	Y.K.	Not
No	Part no	Description	Qty	SC	S/N from	S/N to	ICA	Note
107A	H209004134	ŞAFT, AVARE DİŞLİ	1					
107B	H209004135	ŞAFT, AVARE DİŞLİ	1					
112A	H209004180	AVARE DİŞLİ	1					200610-2013 11
112A	H209004180A	AVARE DİŞLİ	1					201312-
112B	H209004181	AVARE DİŞLİ	1					
114A	H209004015	CIVATA	2					M10X60
114B	H209004016	CIVATA	1					M12X60
133	H209004138	CONTA	1					
136	H349004555	CIVATA	2					M6X16
162	H209004343	DİŞLİ ÇARK	1					
166	H209004034	CIVATA	6					M6X16
172	H209004195	ZİNCİR	1					
185	H209004196	ZİNCİRLİ GİRDİRME MEKANİZMASI	1					
198	H209004197	KILAVUZ	1					
199	H209004156	YAĞ JETİ	1					
200	H209004047	CIVATA	2					M8X20
252A	H209004218	FLANŞ	1					
252B	H209004219	FLANŞ	1					
275	H209004414	PİM	1					
300	H209004198	LEVYE	1					
329	H209004225	DİŞLİ, ENJEKSİYON POMPASI	1					
347	H209004137	DİŞLİ ÇARK	1					
348	H209004139	SOMUN	1					M14
349	H209004136	PİVOT	1					



## DİŞLİ KUTUSU KAPAĞI GEAR CASE COVER

No	Parça No	Parça Adı		Adet	S.K.	Bas.S.N	Bit.S.N	Y.K.	Not
No	Part no	Description		Qty	SC	S/N from	S/N to	ICA	Note
1	H209004199	GÖVDE	CASE, TIMING GEAR	1					
32	H209004133	CONTA	GASKET, GEAR CASE	1					
36A	H349004560	CIVATA	BOLT	1					M8X16
36B	H349004357	CIVATA	BOLT	16					M8X20
36C	H349004185	CIVATA	BOLT	1					M8X35
36D	H349004193	CIVATA	BOLT	2					M8X45
36E	H349004432	CIVATA	BOLT	1					M8X60
36F	H349004295	CIVATA	BOLT	3					M8X30
38	H349004205	PİM	PIN	2					
49	H209004200	CONTA	GASKET, GEAR CASE TO COVER	1					
50A	H209004153	SAPLAMA	STUD	5					M8X50.5
50B	H209004160	SAPLAMA	STUD	1					M8X87
51	H209004152	CIVATA	BOLT, GEAR CASE COVER	14					
54	H209004212	KAPAK	COVER, GEAR CASE	1					200706-2013 08
54	H209004212A	KAPAK	COVER, GEAR CASE	1					201309-
63	H209004168	KAPAK	COVER, P/S	1					
64	H209004112	CONTA	GASKET, COVER,P/S	1					
79	H209004172	BRACKET	BRACKET, GEAR CASE COVER	1					
80A	H209004039	SOMUN	NUT	2					M6
80B	H349004179	SOMUN	NUT	3					M8
81A	H209004022	SAPLAMA	STUD, GEAR CASE COVER FIX	2					M6X16
81B	H209004030	SAPLAMA	STUD, GEAR CASE COVER FIX	2					M8X30
98	H349004179	SOMUN	NUT	2					M8
99A	H209004170	SAPLAMA	STUD, INJ PUMP	1					M8X30
99B	H209004171	SAPLAMA	STUD, INJ PUMP	1					M8X45
103	H209004150	KEÇE, YAĞ	SEAL, OIL, CR/SHF, FRT	1					200706-2013 08
103	H209004150A	KEÇE, YAĞ	SEAL, OIL, CR/SHF, FRT	1					201309-
123	H209004173	KAPAK	COVER, TIMING, LWR	1					
124	H349004555	CIVATA	BOLT	3					M6X16
172	H209004179	SEGMAN	RETAINER, CR/SHF	1					
175	H209004111	KEÇE, YAĞ	SEAL, OIL, CR/SHF, RR	1					
185	H349004441	CIVATA	BOLT	5					M8X25
418	H349004179	SOMUN	NUT	2					M8
428	H209004339	KAPAK	COVER, VACUUM PUMP HOLE	1					
429	H209004045	CONTA	GASKET	1					
620	H209004143	CONTA	GASKET, GEAR CASE	1					T=1.40
620	H209004148	CONTA	GASKET, GEAR CASE	1					T=1.45
620	H209004149	CONTA	GASKET, GEAR CASE	1					T=1.50

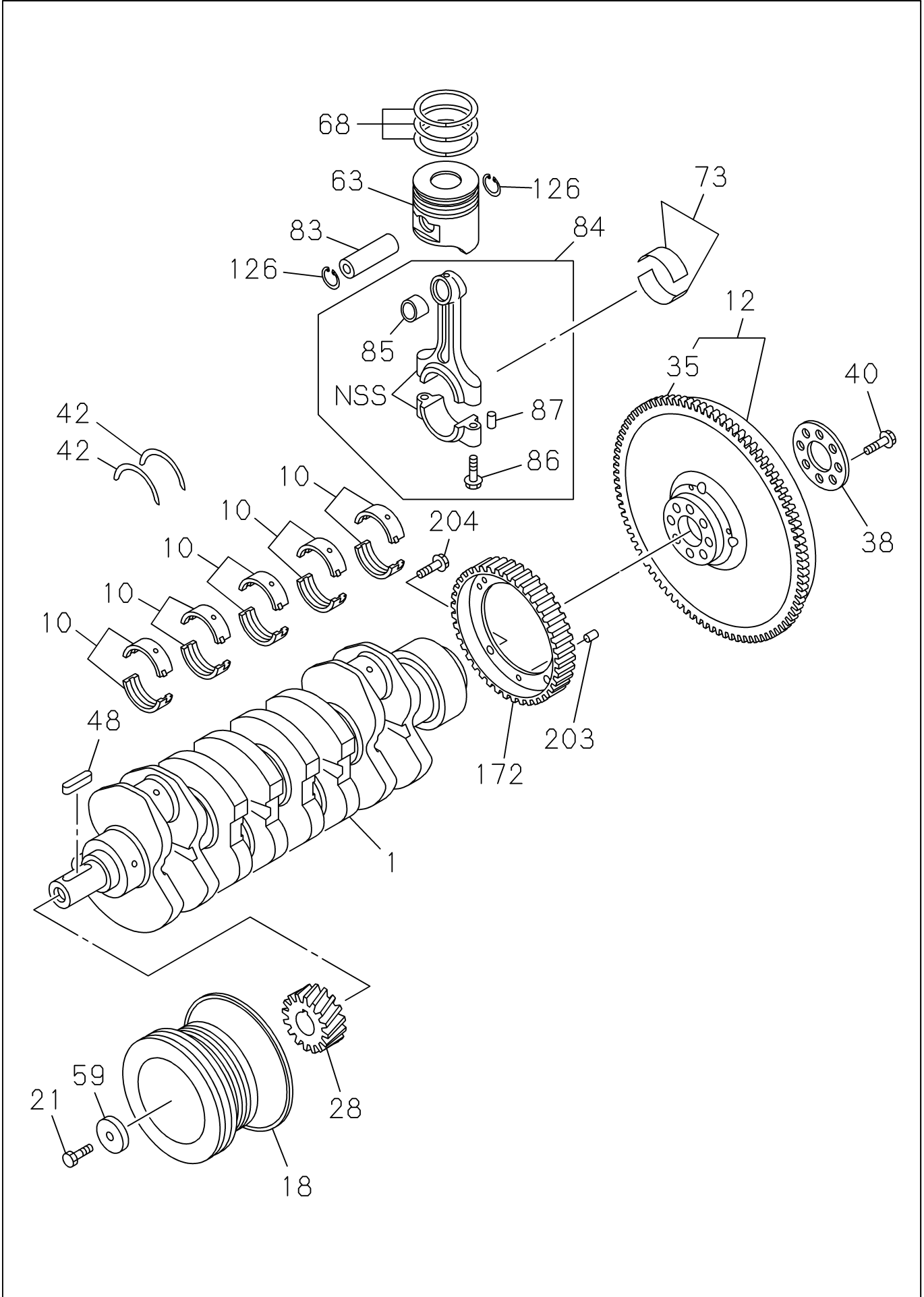
**VOLAN MUHAFAZASI  
FLYWHEEL HOUSING**



**VOLAN MUHAFAZASI  
FLYWHEEL HOUSING**

No	Parça No	Parça Adı		Adet	S.K.	Bas.S.N	Bit.S.N	Y.K.	Not
No	Part no		Description	Qty	SC	S/N from	S/N to	ICA	Note
2	H209004289	VOLAN MUHAFAZASI	HOUSING, FLYWHEEL	1					
205	H349004389	SOMUN	NUT	1					M10
211A	H209004019	CIVATA	BOLT	3					M10X30
211B	H209004021	CIVATA	BOLT	4					M12X35
211C	H209004060	CIVATA	BOLT	3					M12X25
487	H209004122	KAPAK	COVER, HOLE	1					

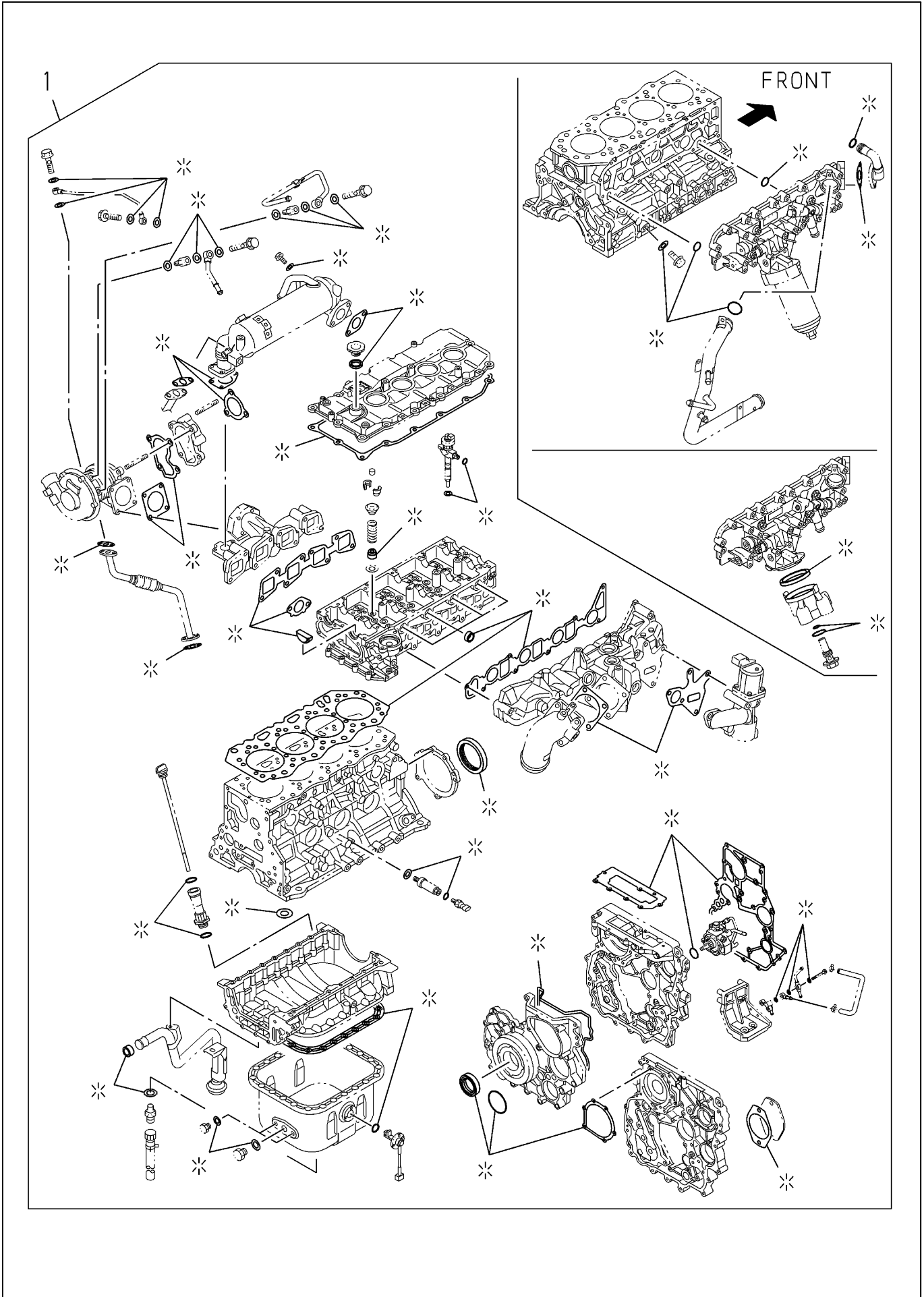
**KRANK MİLİ, PİSTON VE VOLAN**  
**CRANKSHAFT, PISTON & FLYWHEEL**



**KRANK MİLİ, PİSTON VE VOLAN  
CRANKSHAFT, PISTON & FLYWHEEL**

No	Parça No	Parça Adı		Adet	S.K.	Bas.S.N	Bit.S.N	Y.K.	Not
No	Part no	Description		Qty	SC	S/N from	S/N to	ICA	Note
1	H209004192	KRANK MİLİ	CRANKSHAFT	1					200610-2013 08
1	H209004192A	KRANK MİLİ	CRANKSHAFT	1					201309-
10	H209004187	YATAK SETİ, KRANK MİLİ	METAL SET, CRANKSHAFT	5					GRADE=1
10	H209004188	YATAK SETİ, KRANK MİLİ	METAL SET, CRANKSHAFT	5					GRADE=2
10	H209004189	YATAK SETİ, KRANK MİLİ	METAL SET, CRANKSHAFT	5					GRADE=3
10	H209004190	YATAK SETİ, KRANK MİLİ	METAL SET, CRANKSHAFT	5					GRADE=4
10	H209004191	YATAK SETİ, KRANK MİLİ	METAL SET, CRANKSHAFT	5					GRADE=5
12	H209004290	VOLAN	FLYWHEEL	1					
18	H209004274	KASNAK, KRANK	PULLEY, CR/SHF	1					200610-2013 08
18	H209004274A	KASNAK, KRANK	PULLEY, CR/SHF	1					201309-
21	H209004061	CIVATA	BOLT, PULLEY FIX	1					200610-2013 08
21	H209004061A	CIVATA	BOLT, PULLEY FIX	6					201309-
28	H209004186	DİŞLİ, KRANK MİLİ	GEAR, CR/SHF	1					200610-2013 08
28	H209004186A	DİŞLİ, KRANK MİLİ	GEAR, CR/SHF	1					201309-
35	H209004368	DİŞLİ, VOLAN	GEAR, RING	1					
38	H209004091	PUL	WASHER, FLYWHEEL	1					
40	H209004102	CIVATA	BOLT, FLYWHEEL	8					M13x45
42	H209004285	PUL	WASHER, THRUST, CR/SHF	2					
48	H209004093	KAMA	KEY, WOODRUFF, CR/SHF	1					
59	H209004063	PUL	WASHER, CR/SHF PULLEY	1					200610-2013 08
59	H209004063A	PUL	WASHER, CR/SHF PULLEY	1					201309-
63	H209004340	PİSTON	PISTON	4					GRADE=A
63	H209004341	PİSTON	PISTON	4					GRADE=B
63	H209004342	PİSTON	PISTON	4					GRADE=C
68	H209004303	SEGMAN SETİ, PİSTON, STANDART	RING SET, PISTON, STANDARD	4					
73	H209004159	YATAK SETİ, BİYEL KOLU	METAL SET, CONN ROD, STANDARD	4					
83	H209004216	PİM	PIN, PISTON	4					
84	H209004194	BİYEL KOLU KOMPLESİ	ROD ASM, CONN	4					
85	H209004185	BURÇ	BUSHING, CONN ROD	4					
86	H209004295	CIVATA	BOLT, CONN ROD	8					M11x44.5
87	H209004356	PİM	PIN	8					
126	H209004108	SEGMAN	RING, SNAP, PISTON PIN	8					
172	H209004327	ROTOR	ROTOR, CRANK SENSOR	1					
203	H209004356	PİM	PIN	1					
204	H209004263	CIVATA	BOLT, ROTOR	3					

### MOTOR TAMİR TAKIMI ENGINE OVERHAUL GASKET KIT



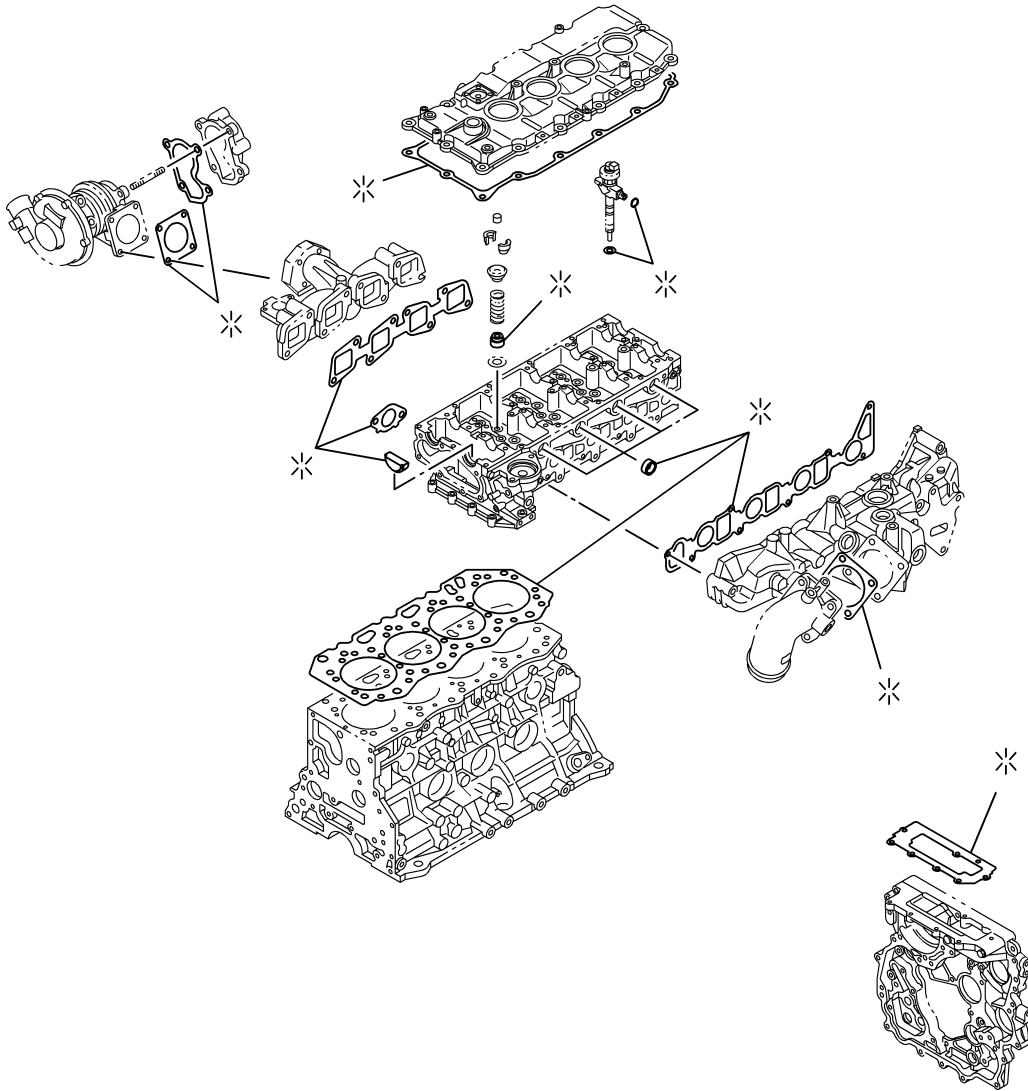


**MOTOR TAMİR TAKIMI  
ENGINE OVERHAUL GASKET KIT**

No	Parça No	Parça Adı	Adet	S.K.	Bas.S.N	Bit.S.N	Y.K.	Not
No	Part no	Description	Qty	SC	S/N from	S/N to	ICA	Note
1	H209004078	CONTA TAKIMI, SİLİNDİR KAPAĞI	1					T=1.05
1	H209004079	CONTA TAKIMI, SİLİNDİR KAPAĞI	1					T=1.10
1	H209004080	CONTA TAKIMI, SİLİNDİR KAPAĞI	1					T=1.15

## SİLİNDİR KAPAĞI TAMİR TAKIMI CYLINDER HEAD GASKET KIT

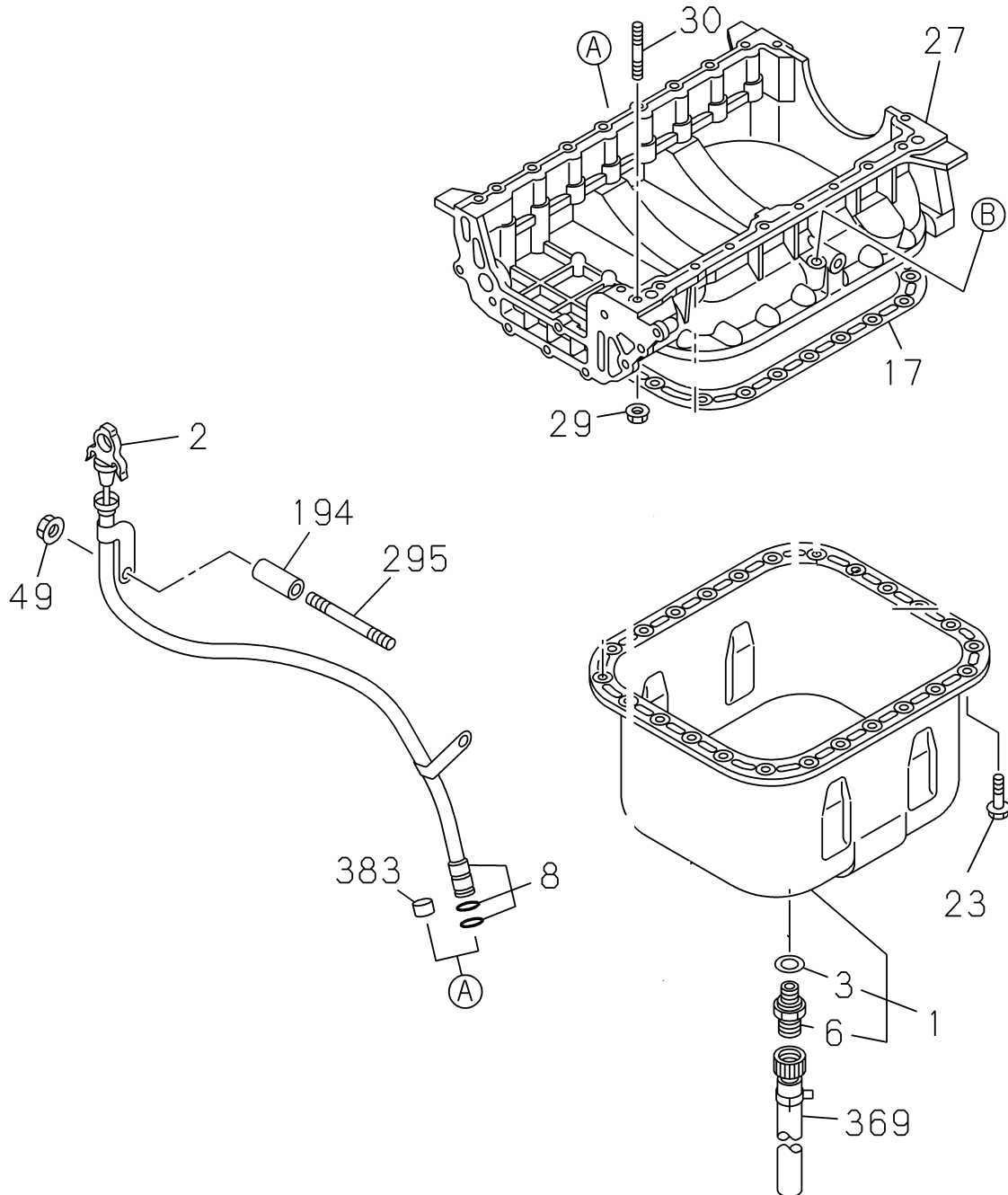
2



**SİLİNDİR KAPAĞI TAMİR TAKIMI  
CYLINDER HEAD GASKET KIT**

No	Parça No	Parça Adı	Description	Adet	S.K.	Bas.S.N	Bit.S.N	Y.K.	Not
No	Part no			Qty	SC	S/N from	S/N to	ICA	Note
2	H209004081	KEÇE TAKIMI, BOĞAZ	GASKET SET, CYLINDER HEAD	1					T=1.05
2	H209004082	KEÇE TAKIMI, BOĞAZ	GASKET SET, CYLINDER HEAD	1					T=1.10
2	H209004083	KEÇE TAKIMI, BOĞAZ	GASKET SET, CYLINDER HEAD	1					T=1.15

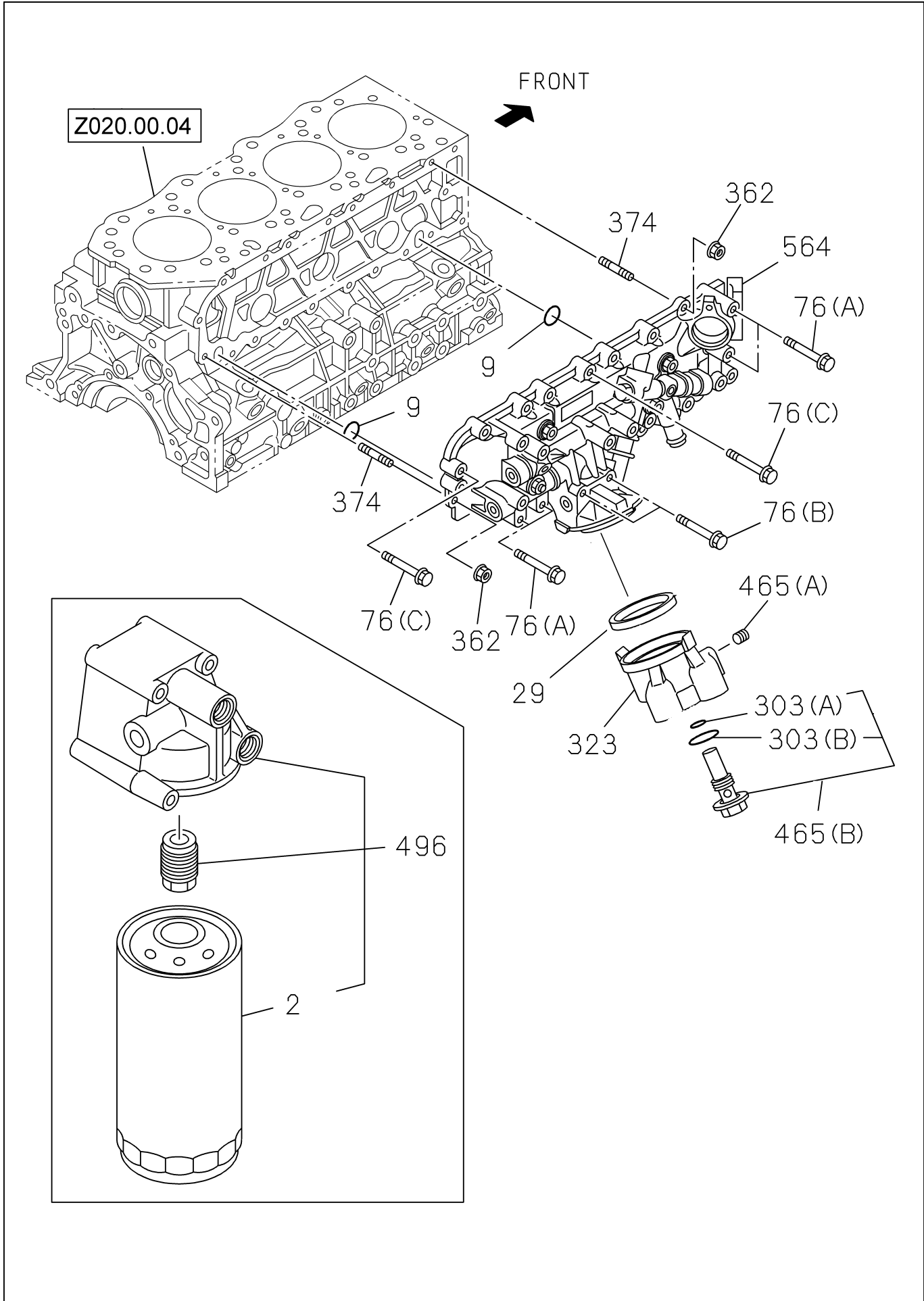
# YAĞ SEVİYE ÇUBUĞU & YAĞ KARTERİ OIL LEVEL GAUGE & OIL PAN



**YAĞ SEVİYE ÇUBUĞU & YAĞ KARTERİ  
OIL LEVEL GAUGE & OIL PAN**

No	Parça No	Parça Adı		Adet	S.K.	Bas.S.N	Bit.S.N	Y.K.	Not
No	Part no	Description		Qty	SC	S/N from	S/N to	ICA	Note
1	H209004264	YAĞ KARTERİ KOMPLESİ	PAN ASM, OIL	1					200610-2013 05
1	H209004264A	YAĞ KARTERİ KOMPLESİ	PAN ASM, OIL	1				C	201306-
2	H209004280	YAĞ SEVİYE ÇUBUĞU	GAUGE, OIL LEVEL	1					
3	H259002099	CONTA	GASKET	1					
6	H349004563	TAPA	PLUG, OIL DRAIN	1					200610-2013 05
6	H349004563A	TAPA	PLUG, OIL DRAIN	1				C	201306-
8	H209004232	BORU KOMPLESİ, YAĞ SEVİYESİ	TUBE, GUIDE, OIL LEVEL GAUGE	1					
17	H209004228	CONTA	GASKET, OIL PAN	1					200610-2013 11
17	H209004228A	CONTA	GASKET, OIL PAN	1				C	201312-
23	H209004031	CIVATA	BOLT, OIL PAN	24					
27	H209004215	KRANK KARTERİ	CRANKCASE	1				C	200610-2014 08
27	H209004215A	KRANK KARTERİ	CRANKCASE	1					201409-
29	H349004179	SOMUN	NUT	1					M8
30	H209004027	SAPLAMA	STUD, CRANKCASE	1					M8X40
49	H259002145	SOMUN	NUT	1					M10
194	H349004360	YÜKSÜK	SPACER	1					
295	H209004029	SAPLAMA	STUD, GUIDE TUBE	1					
369	H349004565	HORTUM KOMPLESİ	OIL DRAINER ASM	1					201007-2013 11
369	H349004565A	HORTUM KOMPLESİ	OIL DRAINER ASM	1				C	201312-
383	H259002093	SIZDIRMAZLIK ELEMANI	CUP, SEALING	1					

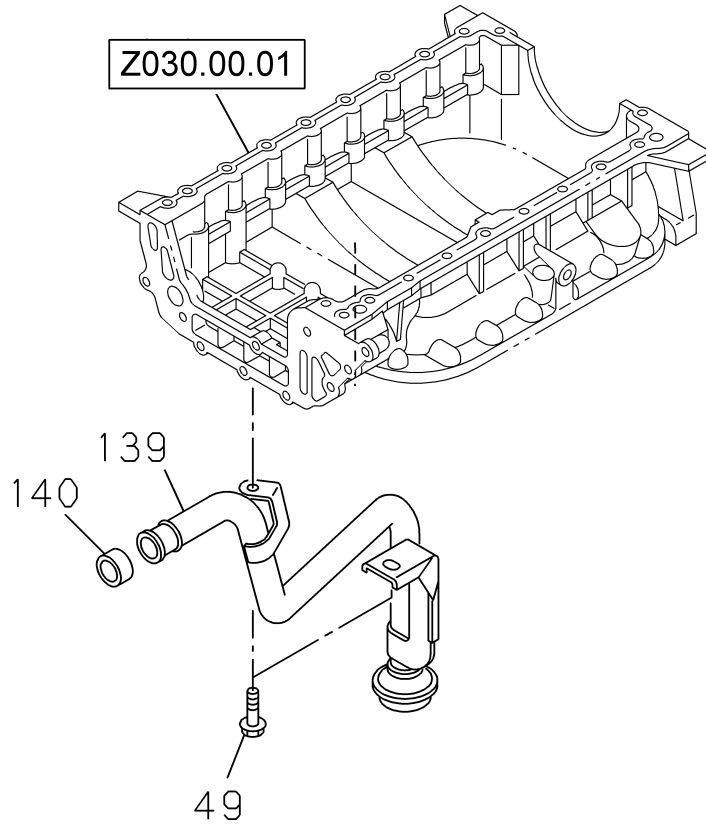
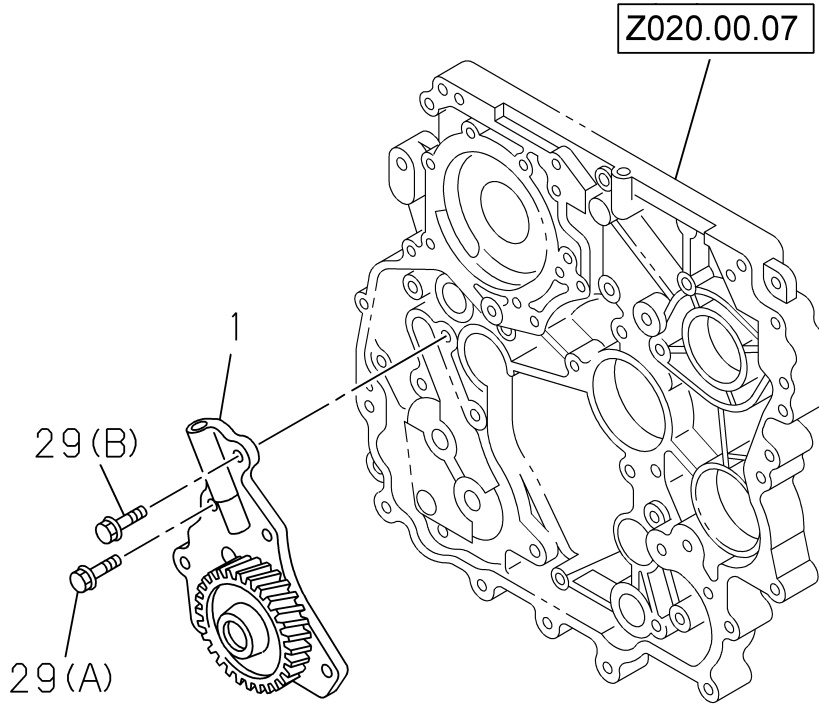
**YAĞ FİLTRESİ VE SOĞUTUCUSU**  
**OIL FILTER & COOLER**



**YAĞ FİLTRESİ VE SOĞUTUCUSU  
OIL FILTER & COOLER**

No	Parça No	Parça Adı	Description	Adet	S.K.	Bas.S.N	Bit.S.N	Y.K.	Not
No	Part no			Qty	SC	S/N from	S/N to	ICA	Note
2	H349004016	FİLTRE, MOTOR YAĞ	ELEMENT, OIL FILTER	1					
9	H209004359	CONTA	GASKET, CENTER BOLT	2					
29	H209004369	CONTA	GASKET, COVER, OIL PORT	1					
76A	H349004332	CIVATA	BOLT	4					M8X70
76B	H209004007	CIVATA	BOLT	2					M8X90
76C	H349004162	CIVATA	BOLT	12					M8X35
303A	H209004360	CONTA	GASKET, PLUG	1					
303B	H209004361	CONTA	GASKET, PLUG	1					
323	H209004322	KAPAK, YAĞ PORTU	COVER, OIL PORT	1					
362	H349004179	SOMUN	NUT	2					
374	H209004025	SAPLAMA	STUD, OIL FILTER	2					M8
465A	H209004110	TAPA	PLUG	1					
465B	H209004277	TAPA	PLUG	1					
496	H349004088	FİLTRE KOMPLESİ, MOTOR YAĞ	FILTER ASM, OIL	1					M8X20
564	H209004233	YAĞ SOĞUTUCU KOMPLESİ, MOTOR	COOLER ASM, OIL, W/O FILTER	1					

## YAĞ POMPASI VE YAĞ SÜZGEÇİ OIL PUMP & STRAINER

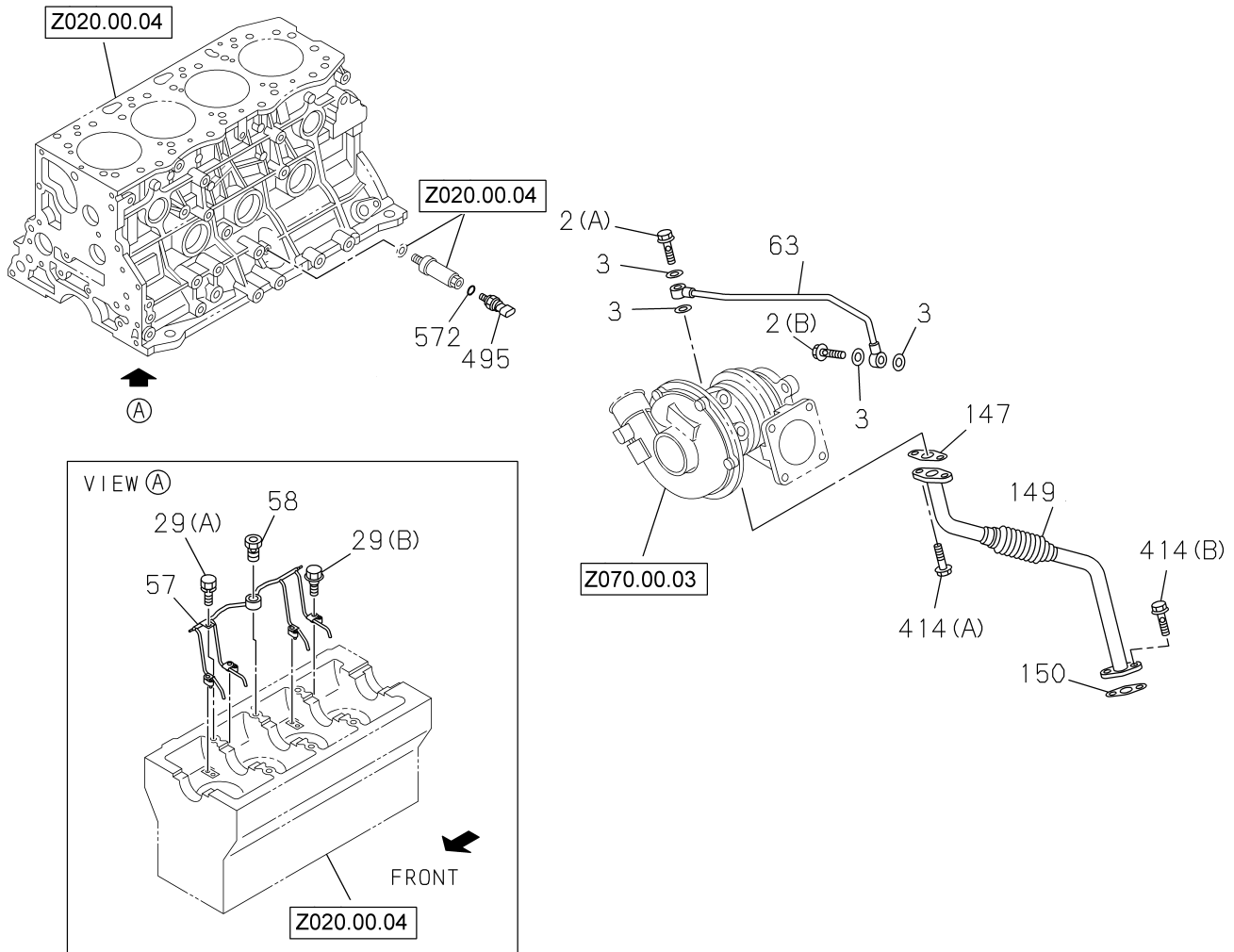




**YAĞ POMPASI VE YAĞ SÜZGEÇİ  
OIL PUMP & STRAINER**

No	Parça No	Parça Adı	Description	Adet	S.K.	Bas.S.N	Bit.S.N	Y.K.	Not
No	Part no			Qty	SC	S/N from	S/N to	ICA	Note
1	H209004319	YAĞ POMPASI KOMPLESİ, MOTOR	PUMP ASM, OIL	1					
29A	H349004294	CIVATA	BOLT	4					M8x30
29B	H349004193	CIVATA	BOLT	2					M8x45
49	H349004560	CIVATA	BOLT	2					M8x16
139	H209004229	BORU, YAĞ SÜZGEÇİ	PIPE, OIL STRAINER	1					
140	H209004157	CONTA	GASKET, OIL STRAINER	1					

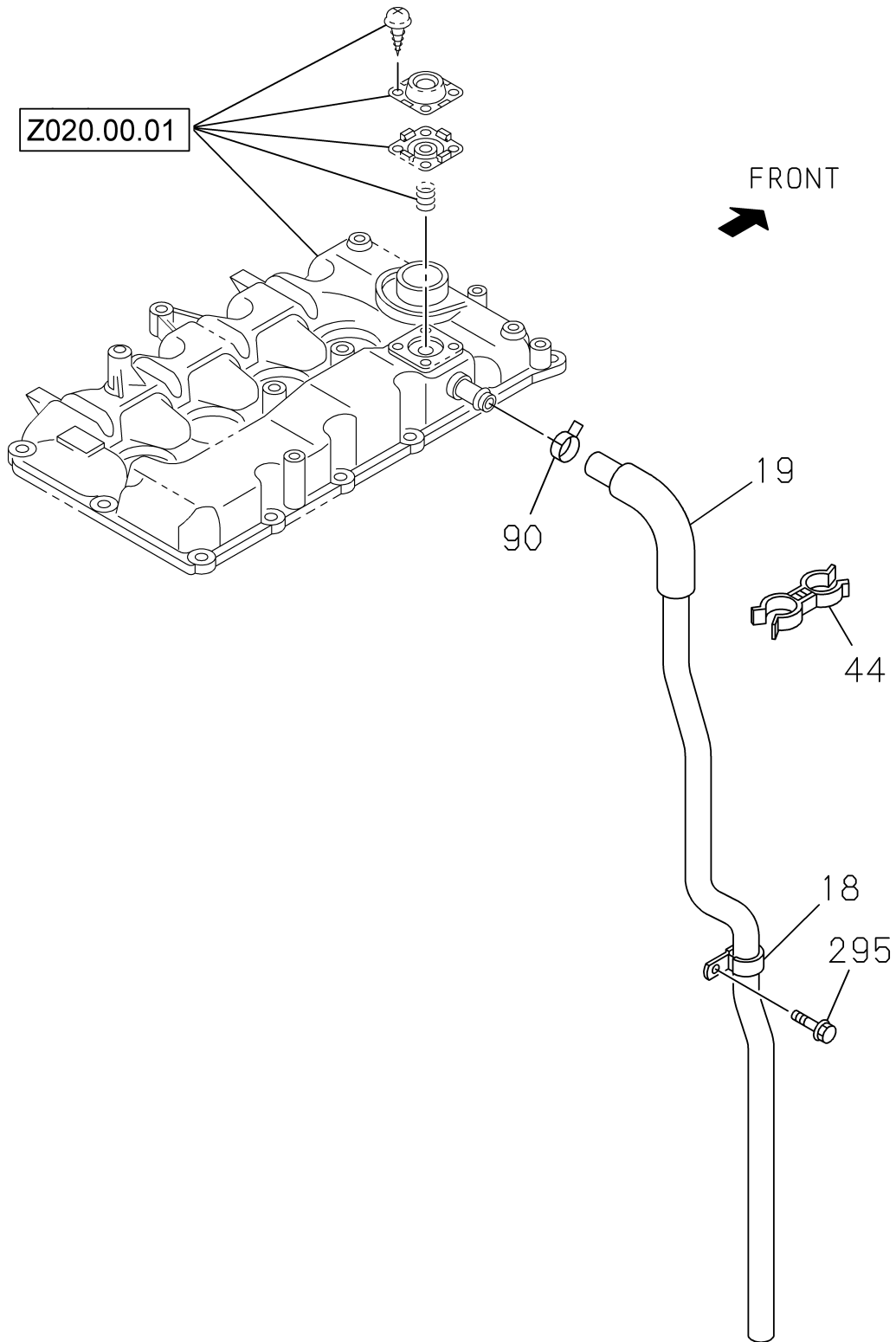
**YAĞ VE VAKUM TESİSATI  
OIL & VACUUM PIPING**



**YAĞ VE VAKUM TESİSATI  
OIL & VACUUM PIPING**

No	Parça No	Parça Adı		Adet	S.K.	Bas.S.N	Bit.S.N	Y.K.	Not
No	Part no	Description		Qty	SC	S/N from	S/N to	ICA	Note
2A	H209004106	BANJO CIVATA	BOLT, EYE, OIL PIPE	1					M10X27
2B	H209004366	BANJO CIVATA	BOLT, EYE, OIL PIPE	1					M10X24
3	H349004429	CONTA	GASKET	4					
29A	H209004005	CIVATA	BOLT, OIL PIPE, OIL JET	1					M8X10
29B	H209004113	CIVATA	BOLT, OIL PIPE, OIL JET	4					M6X20
57	H209004230	BORU KOMPLESİ, YAĞ	PIPE, OIL, OIL JET	1					
58	H209004256	CONTA	VALVE, RELIEF, OIL JET, PISTON COOLING	1					
63	H209004231	BORU KOMPLESİ, TURBOŞARJ BESLEME	PIPE, OIL, TURBOCHARGER FEED	1					
147	H209004257	CONTA	GASKET, OIL PIPE TO TURBOCHARGER	1					
149	H209004017	BORU KOMPLESİ, TURBOŞARJ GERİ DÖNÜŞ	PIPE, OIL RETURN, TURBOCHARGER	1					
150	H209004166	CIVATA	BOLT, COVER	1					
414A	H349004034	SENSÖR, BASINÇ	SENSOR, PRESSURE	2					M6X20
414B	H209004131	CIVATA	BOLT, OIL PIPE	2					M8X20
495	H209004123	SENSÖR, BASINÇ	SENSOR, OIL PRESS	1					
572	H349004214	CONTA	GASKET	1					

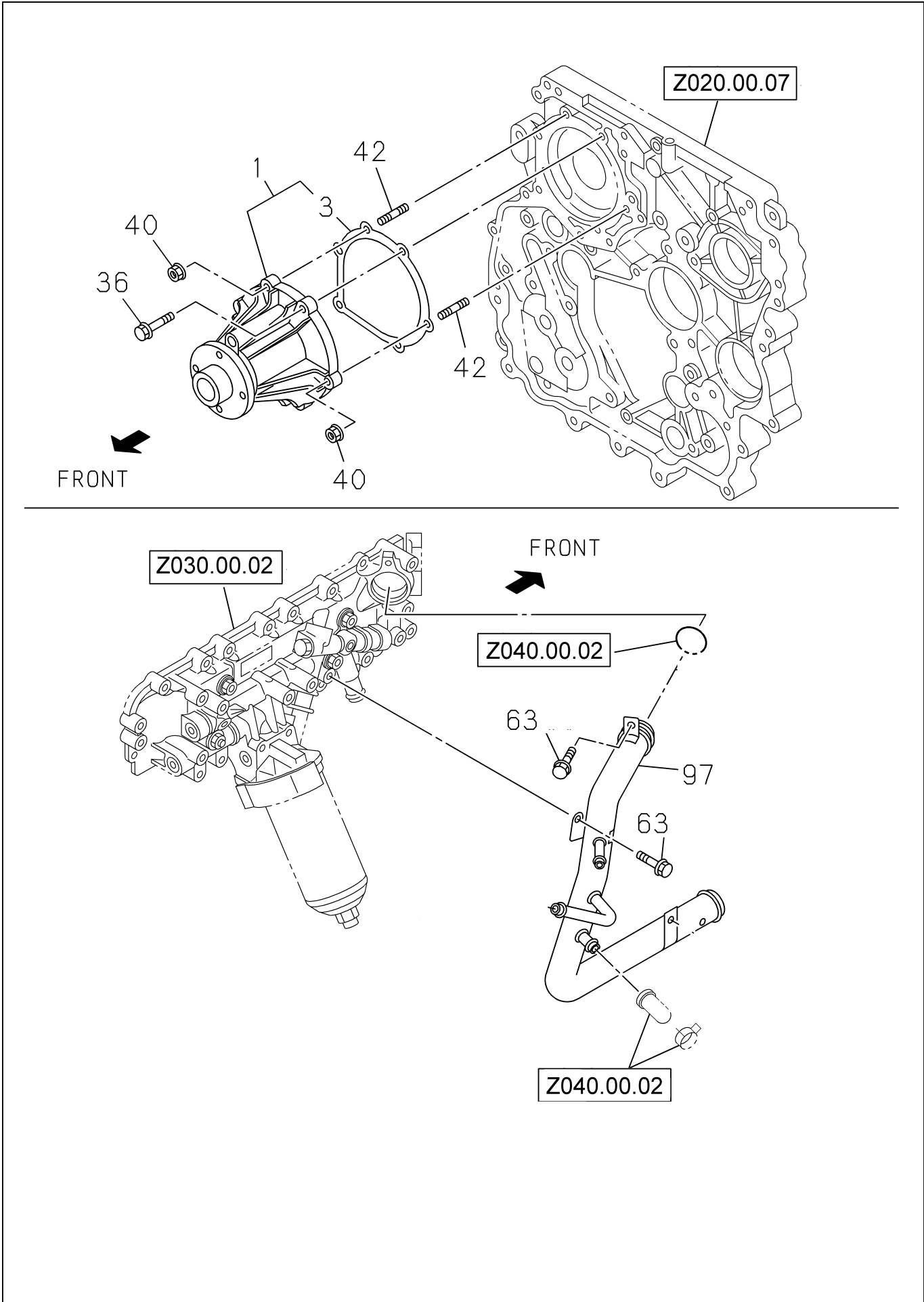
### HAVALANDIRMA SİSTEMİ VENTILATION SYSTEM



**HAVALANDIRMA SİSTEMİ  
VENTILATION SYSTEM**

No	Parça No	Parça Adı		Adet	S.K.	Bas.S.N	Bit.S.N	Y.K.	Not
No	Part no		Description	Qty	SC	S/N from	S/N to	ICA	Note
18	H209004054	KELEPÇE	CLIP, RUBBER HOSE, AIR BREATHER	1					
19	H209004302	HORTUM, HAVA	HOSE, RUBBER BREATHER	1					
90	H209004087	KELEPÇE	CLIP, RUBBER HOSE	1					
295	H349004357	CIVATA	BOLT	1					M8X20

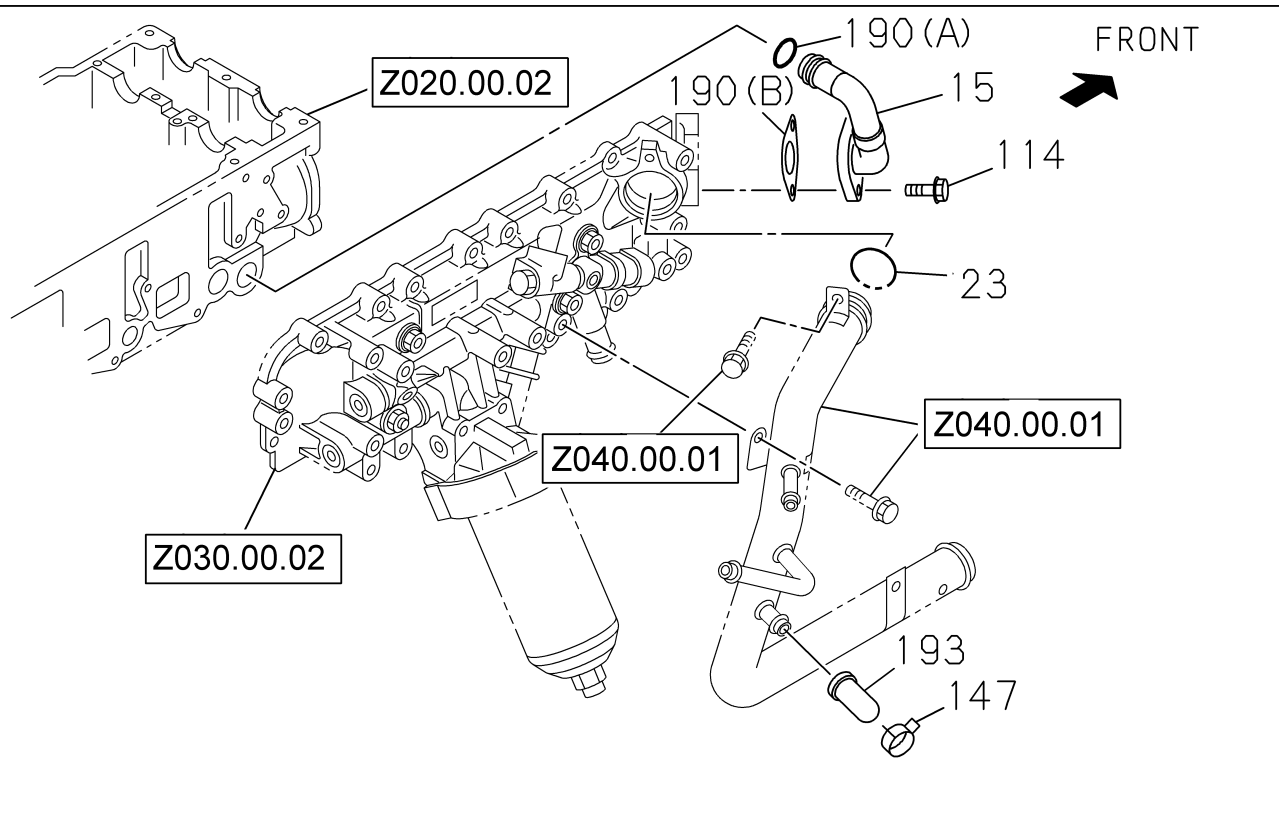
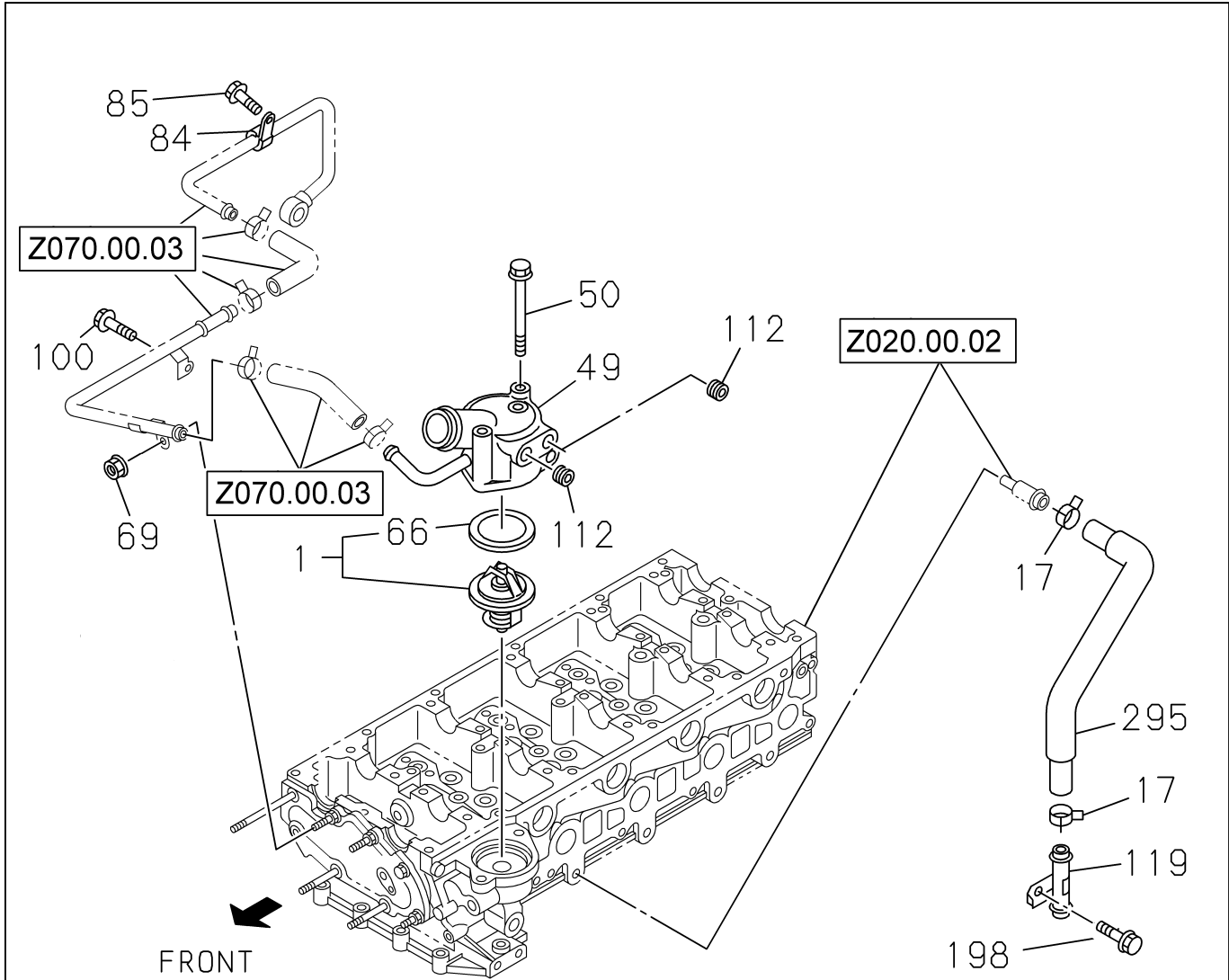
### SU POMPASI VE KOROZYON ÖNLEYİCİ WATER PUMP & CORROSION RESISTOR



**SU POMPASI VE KOROZYON ÖNLEYİCİ  
WATER PUMP & CORROSION RESISTOR**

No	Parça No	Parça Adı		Adet	S.K.	Bas.S.N	Bit.S.N	Y.K.	Not
No	Part no		Description	Qty	SC	S/N from	S/N to	ICA	Note
1	H209004293A	SU POMPASI KOMPLESİ	PUMP ASM, WATER	1					
3	H209004132	CONTA	GASKET, PUMP TO C/BL	1					
36	H349004432	CIVATA	BOLT	4					
40	H349004179	SOMUN	NUT	2					
42	H259002095	SAPLAMA	STUD	2					
63	H349004560	CIVATA	BOLT	2					
97	H209004333	BORU, SU	PIPE, WATER	1					

**TERMOSTAT  
THERMOSTAT**

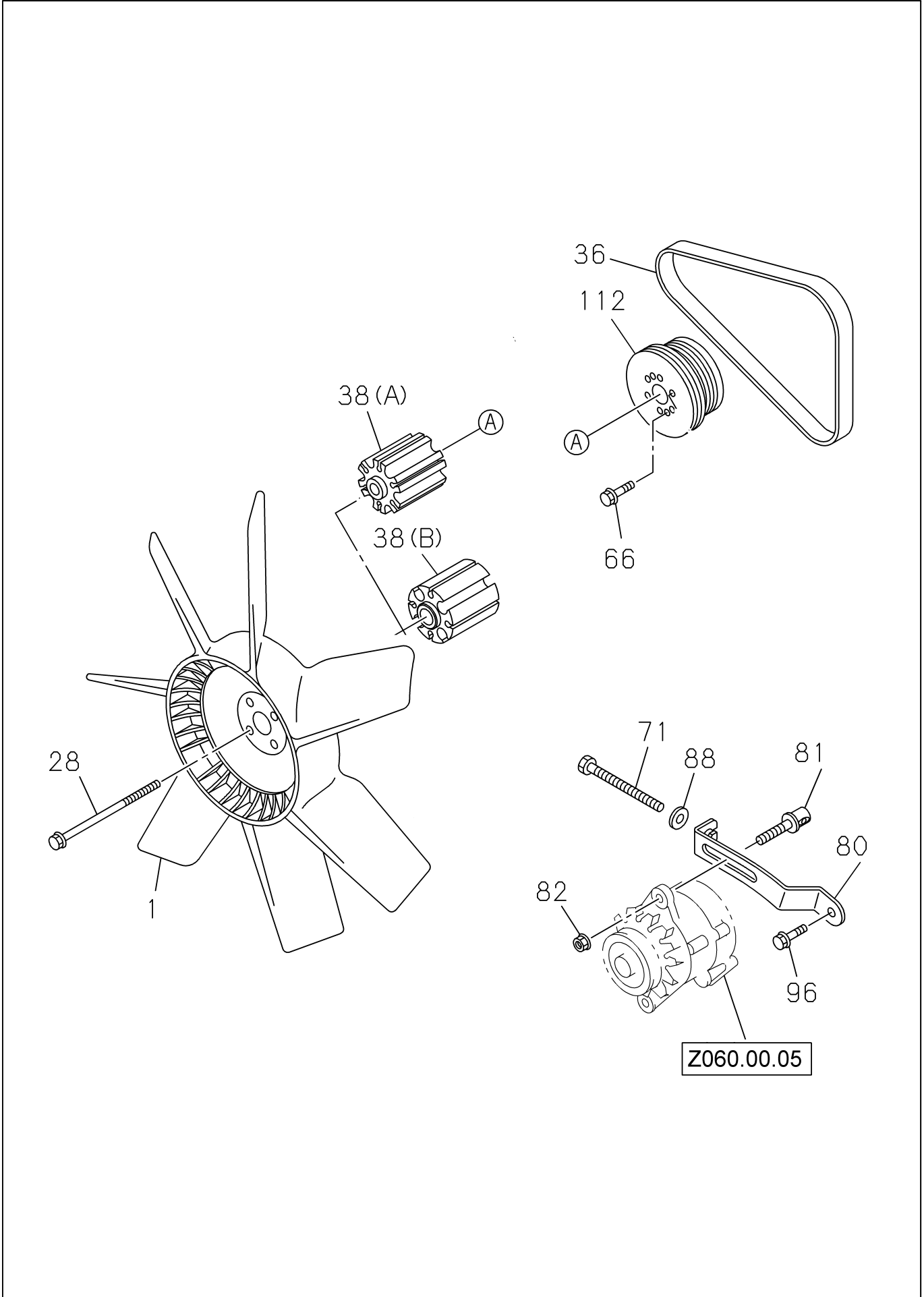




**TERMOSTAT  
THERMOSTAT**

No	Parça No	Parça Adı		Adet	S.K.	Bas.S.N	Bit.S.N	Y.K.	Not
No	Part no	Description		Qty	SC	S/N from	S/N to	ICA	Note
1	H209004001	TERMOSTAT, 85 CELCIUS	THERMOSTAT, 85 CELCIUS	1					200610-2013 03
1	H209004222	TERMOSTAT, 82 CELCIUS	THERMOSTAT, 82 CELCIUS	1					201304-
15	H209004141	BORU, BAYPAS	PIPE, BYPASS	1					
17	H209004089	KELEPÇE	CLIP, WATER HOSE	2					
23	H209004046	CONTA	GASKET, SUCTION PIPE TO BLOCK	1					
49	H209004237	BORU KOMPLESİ, SOĞUTMA SUYU, ÇIKIŞ	PIPE, WATER OUTLET	1					
50	H259002159	CIVATA	BOLT	2					M8X80
66	H209004316	CONTA	GASKET, THERMOSTAT	1					
69	H209004039	SOMUN	NUT	1					M6
84	H209004043	KELEPÇE	CLIP, WATER PIPE	1					
85	H349004268	CIVATA	BOLT	1					M6X12
100	H349004268	CIVATA	BOLT	1					M6X12
112	H349004206	TAPA	PLUG	2					
114	H349004441	CIVATA	BOLT	2					M8X25
119	H209004267	BORU	PIPE, HTR	1					
147	H209004089	KELEPÇE	CLIP, WATER HOSE	1					
190A	H209004044	CONTA	GASKET, BYPASS PIPE	1					
190B	H209004205	CONTA	GASKET, BYPASS PIPE	1					
193	H209004086	KAPAK	CAP, RUBBER	1					
198	H349004560	CIVATA	BOLT	1					M8X16
295	H209004301	HORTUM	HOSE, RUBBER, HTR	1					

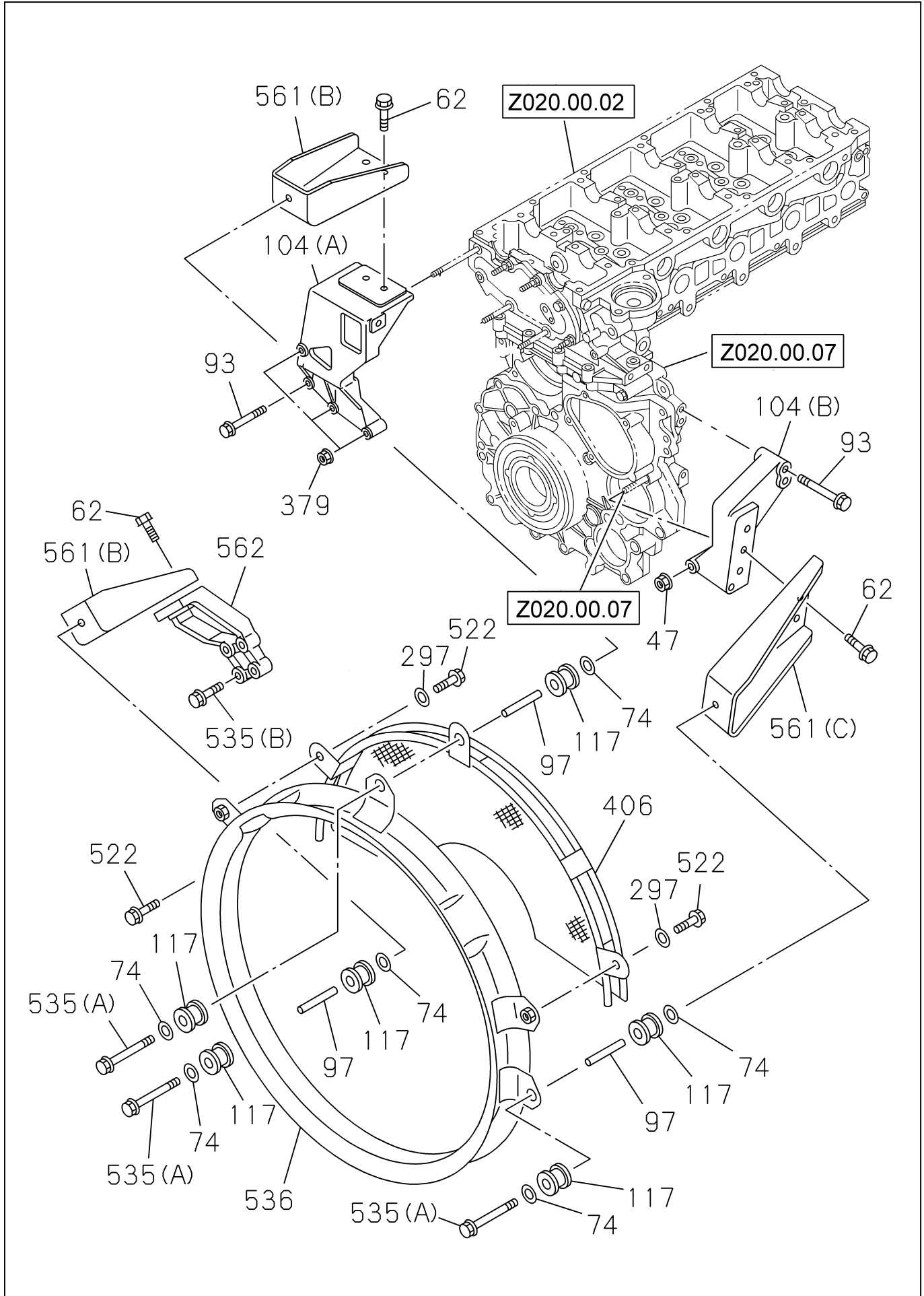
FAN VE FAN KAYIŞI  
FAN & FAN BELT



**FAN VE FAN KAYIŞI  
FAN & FAN BELT**

No	Parça No	Parça Adı		Adet	S.K.	Bas.S.N	Bit.S.N	Y.K.	Not
No	Part no		Description	Qty	SC	S/N from	S/N to	ICA	Note
1	H209004116A	FAN, SOĞUTMA	FAN, COOLING	1					7 BLADE OD=600
28	H209004013	CIVATA	BOLT, COOLING FAN	4					M8X120
36	H209004279	KAYIŞ, FAN	BELT, COOLING FAN	1					
38A	H209004059	FLANŞ, FAN	SPACER, FAN	1					
38B	H209004283	FLANŞ, FAN	SPACER, FAN	1					
66	H209004413	CIVATA	BOLT, PULLEY	2					M6X12
71	H209004100	CIVATA	BOLT, ADJ PLATE, GEN	1					
80	H209004273	BRAKET	PLATE, ADJ	1					
81	H209004125	CIVATA	PIECE, SLIDING	1					
82	H349004179	SOMUN	NUT	1					M8
88	H349004340	PUL	WASHER	1					
96	H349004223	CIVATA	BOLT	1					M8X20
112	H209004281	KASNAK, FAN	PULLEY, FAN CENTER	1					

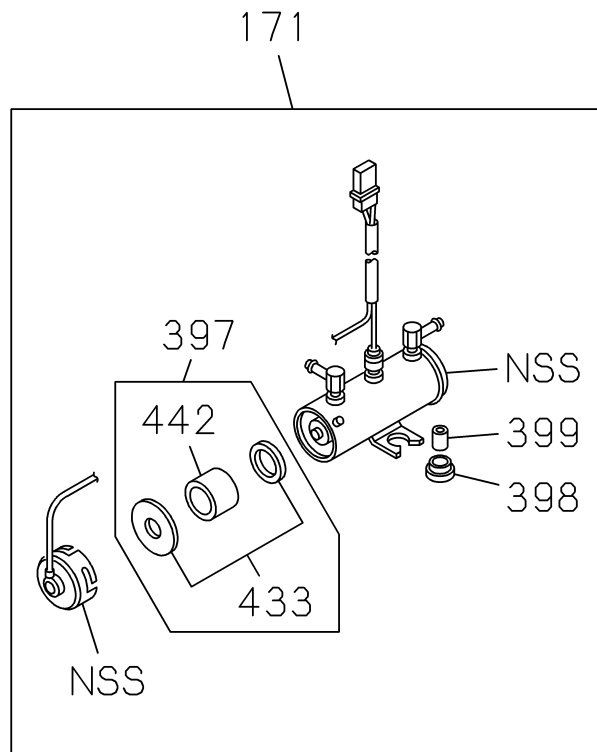
FAN MUHAFAZASI  
FAN GUARD



**FAN MUHAFAZASI**  
**FAN GUARD**

No	Parça No	Parça Adı		Adet	S.K.	Bas.S.N	Bit.S.N	Y.K.	Not
No	Part no		Description	Qty	SC	S/N from	S/N to	ICA	Note
47	H349004179	SOMUN	NUT	1					M8
62	H209004009	CIVATA	BOLT, STAY	6					M10X25
74	H349004533	PUL	WASHER	6					
93	H349004364	CIVATA	BOLT	3					M8X50
97	H349004536	BORU, ARA MESAFE	TUBE, DISTANCE, FAN GUIDE	3					200610-2012 08
97	H349004536A	BORU, ARA MESAFE	TUBE, DISTANCE, FAN GUIDE	3					201209-
104A	H209004234	BRAKET, FAN MUHAFAZA	BRACKET, STAY	1					200610-
104B	H209004235	BRAKET, FAN MUHAFAZA	BRACKET, STAY	1					200610-2012 11
104B	H209004329	BRAKET, FAN MUHAFAZA	BRACKET, STAY	1					201212-
117	H349004539	LASTİK, FAN SABİTLEME	RUBBER, MTG, FAN GUIDE	6					
297	H349004533	PUL	WASHER	2					
379	H349004179	SOMUN	NUT	3					M8
406	H209004124	MUHAFAZA, FAN	GUARD, FAN	1					
522	H349004543	CIVATA	BOLT	2					M10X20
535A	H349004193	CIVATA	BOLT	4					M8X45
535B	H349004545	CIVATA	BOLT, SHROUD FIXING	3					M10X50
536	H209004276	DAVLUMBAZ	SHROUD, FAN	1					
561B	H209004236	MESNET, BRAKET, FAN KILAVUZ	STAY, SHROUD	2					
561C	H209004266	MESNET, BRAKET, FAN KILAVUZ	STAY, SHROUD	1					
562	H209004265	BRAKET, FAN	BRACKET, FAN SHROUD	1					

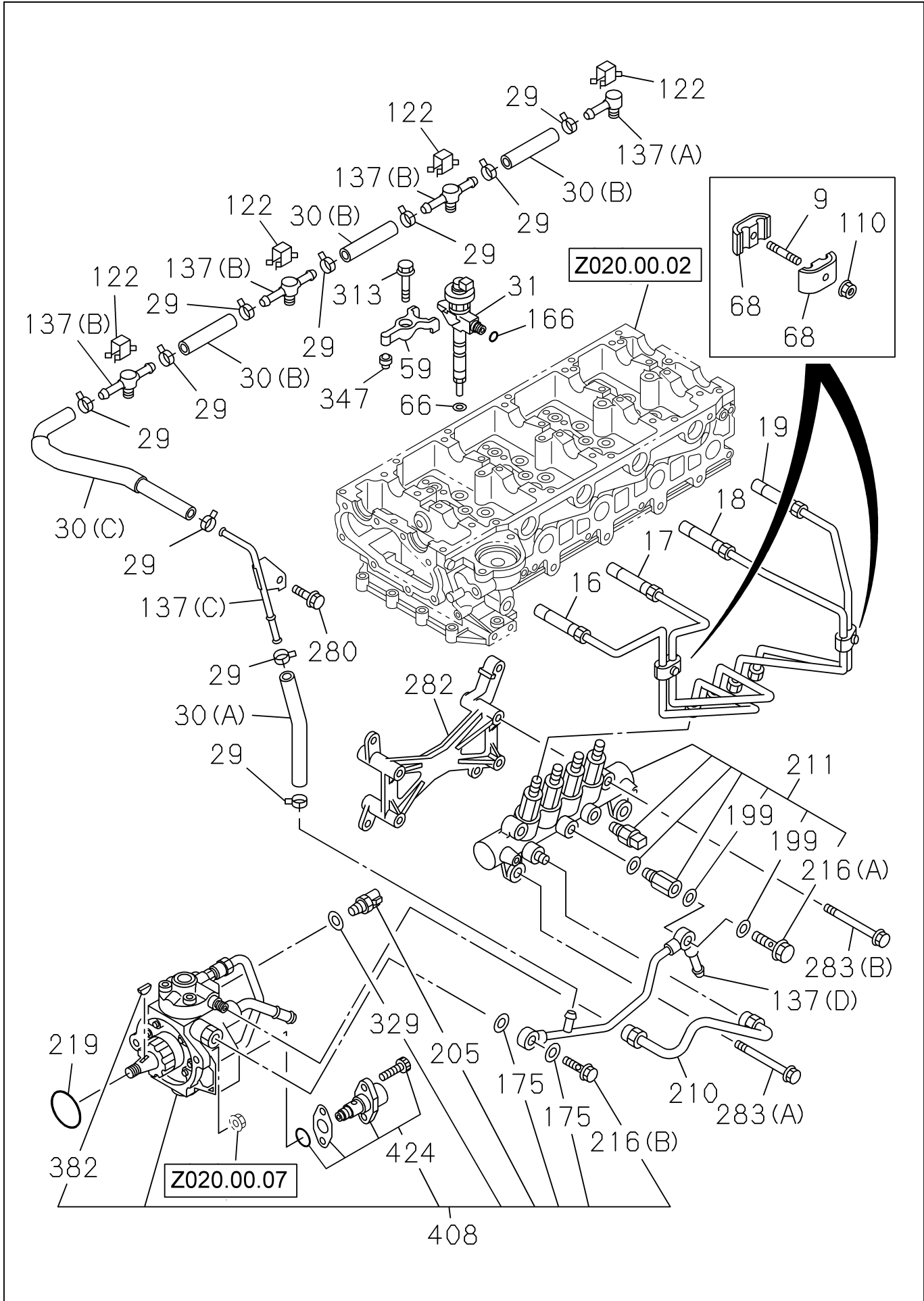
### YAKIT BESLEME POMPASI FUEL FEED PUMP



**YAKIT BESLEME POMPASI  
FUEL FEED PUMP**

No	Parça No	Parça Adı	Adet	S.K.	Bas.S.N	Bit.S.N	Y.K.	Not
No	Part no	Description	Qty	SC	S/N from	S/N to	ICA	Note
171	H349004019	YAKIT BESLEME POMPASI	1					24V
397	H209004330	TAMİR TAKIMI, BESLEME POMPASI	1					
398	H349004397	GROMET	2					
399	H349004398	YÜKSÜK	2					
433	H349004021	CONTA KİTİ	1					
442	H349004020	FİLTRE KİTİ, BESLEME POMPASI	1					

### YAKIT ENJEKSİYON SİSTEMİ 1 FUEL INJECTION SYSTEM 1

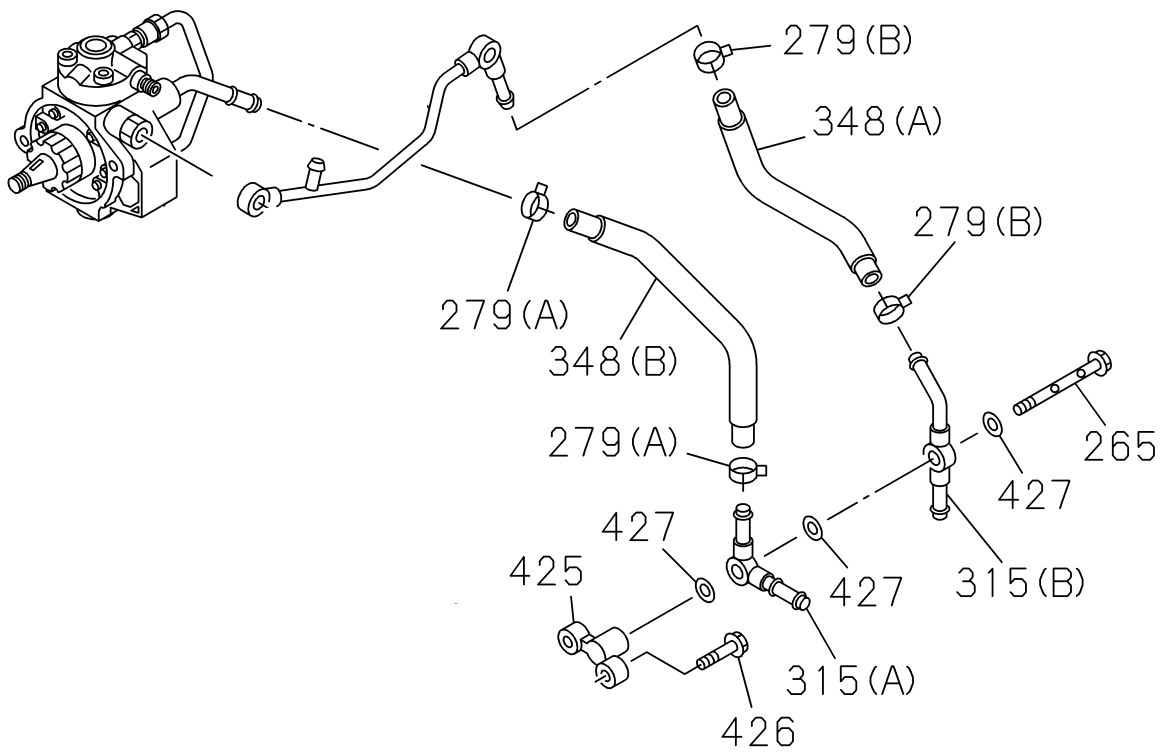




## YAKIT ENJEKSİYON SİSTEMİ 1 FUEL INJECTION SYSTEM 1

No	Parça No	Parça Adı		Adet	S.K.	Bas.S.N	Bit.S.N	Y.K.	Not
No	Part no	Description		Qty	SC	S/N from	S/N to	ICA	Note
9	H209004120	SAPLAMA	STUD, CLIP	2					
16	H209004207	YAKIT BORUSU, ENJEKTÖR NO.1	PIPE, INJ NO.1	1					
17	H209004288	YAKIT BORUSU, ENJEKTÖR NO.2	PIPE, INJ NO.2	1					
18	H209004208	YAKIT BORUSU, ENJEKTÖR NO.3	PIPE, INJ NO.3	1					
19	H209004209	YAKIT BORUSU, ENJEKTÖR NO.4	PIPE, INJ NO.4	1					
29	H259002148	KELEPÇE	CLIP	10					
30A	H209004002	HORTUM	HOSE, RUBBER, FUEL LEAK	1					
30B	H209004151	HORTUM	HOSE, RUBBER, FUEL LEAK	3					
30C	H209004161	HORTUM	HOSE, RUBBER, FUEL LEAK	1					
31	H209004206	ENJEKTÖR KOMPLESİ	NOZZLE ASM, INJ	4					
59	H209004310	KELEPÇE	CLAMP, NOZZLE HOLDER	4					
66	H209004335	CONTA	GASKET, INJ NOZZLE	4					
68	H209004119	KELEPÇE	CLIP, INJ PIPE	4					
110	H349004377	SOMUN	NUT	2					M6
122	H209004140	KELEPÇE	CLIP, LEAK OFF PIPE	4					
137A	H209004261	YAKIT BORUSU, GERİ DÖNÜŞ	PIPE ASM, LEAK OFF	1					
137B	H209004268	YAKIT BORUSU, GERİ DÖNÜŞ	PIPE ASM, LEAK OFF	1					
137C	H209004324	YAKIT BORUSU, GERİ DÖNÜŞ	PIPE ASM, LEAK OFF	3					
137D	H209004325	YAKIT BORUSU, GERİ DÖNÜŞ	PIPE ASM, LEAK OFF	1					
166	H209004358	CONTA	GASKET	4					
175	H349004218	CONTA	GASKET	2					
199	H349004369	CONTA	GASKET	2					
205	H349004035	SENSÖR, YAKIT SICAKLIK	SENSOR, FUEL TEMP	1					
210	H209004193	YAKIT BORUSU, COMMON RAIL	PIPE, INJ, C/R	1					
211	H209004210	COMMON RAIL KOMPLESİ	RAIL ASM, COMMON	1					
216A	H209004287	BANJO CIVATA	BOLT, EYE	1					
216B	H209004370	BANJO CIVATA	BOLT, EYE	1					
219	H209004051	CONTA	GASKET	1					
280	H349004192	CIVATA	BOLT	1					M8X12
282	H209004211	BRACKET, COMMON RAIL	BRACKET, COMMON RAIL	1					
283A	H349004332	CIVATA	BOLT	2					M8X70
283B	H209004415	CIVATA	BOLT, COMMON RAIL	2					M8X81
313	H209004174	CIVATA	BOLT, BRKT, INJ NOZZLE	4					
329	H209004357	CONTA	GASKET, SENSOR, FUEL PUMP	1					
347	H209004328	PİM	PIN	4					
382	H349004395A	KAMA	KEY, DRIVE SHAFT	1					
408	H209004183	YAKIT POMPA KOMPLESİ	PUMP ASM, FUEL, SUPPLY	1					
424	H209004320	BAKIM KİTİ, YAKIT POMPASI	OVERHAUL KIT, SUPPLY PUMP	1					

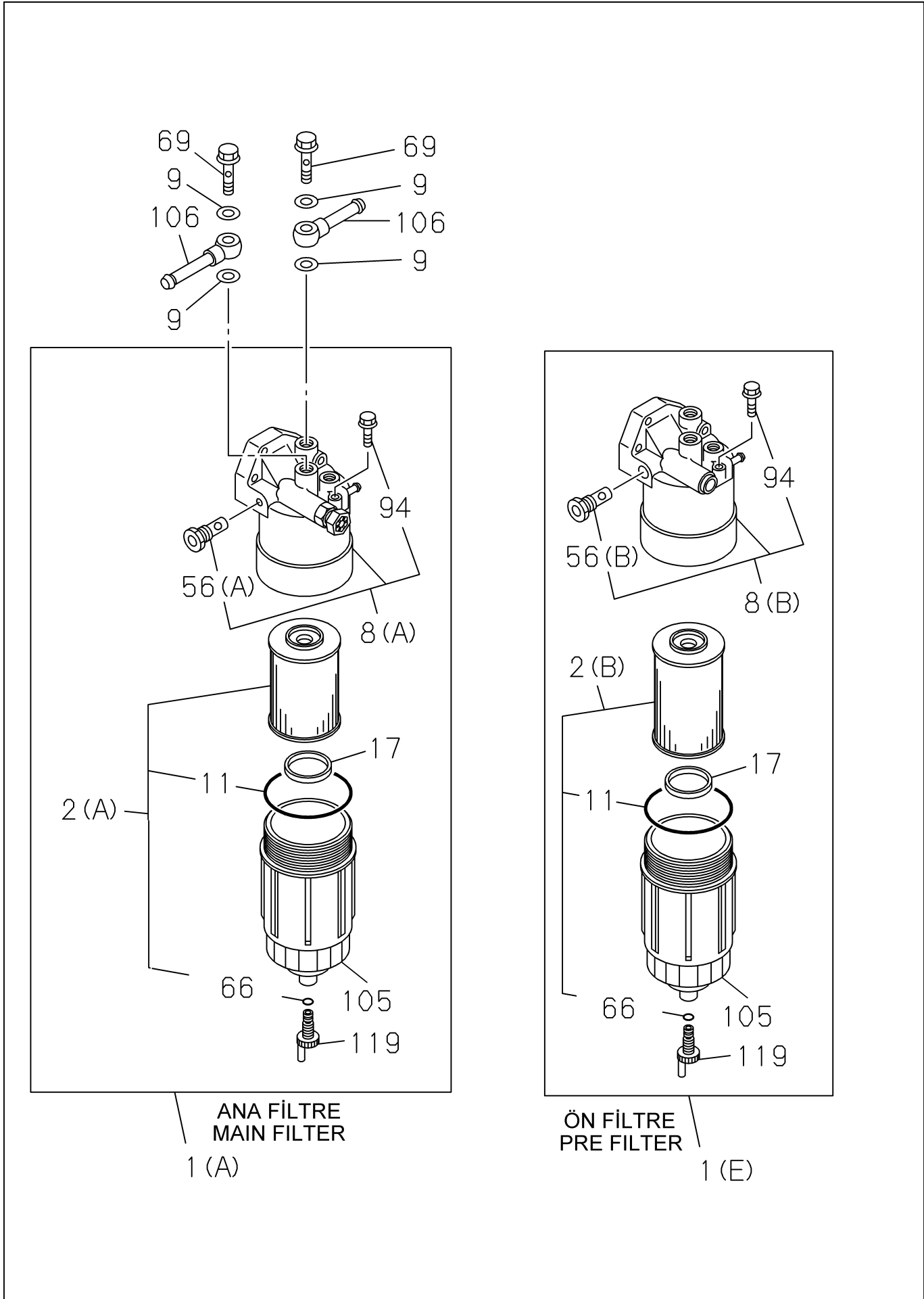
### YAKIT ENJEKSİYON SİSTEMİ 2 FUEL INJECTION SYSTEM 2



**YAKIT ENJEKSİYON SİSTEMİ 2**  
**FUEL INJECTION SYSTEM 2**

No	Parça No	Parça Adı		Adet	S.K.	Bas.S.N	Bit.S.N	Y.K.	Not
No	Part no		Description	Qty	SC	S/N from	S/N to	ICA	Note
265	H349004393	VALF, BESLEME POMPASI	VALVE, FEED PUMP	1					
279A	H209004101	KELEPÇE	CLIP, FUEL HOSE	2					
279B	H209004177	KELEPÇE	CLIP, FUEL HOSE	2					
315A	H209004070	YAKIT BORUSU, POMPA EMİŞ	PIPE, FUEL, SUCTION	1					
315B	H209004269	YAKIT BORUSU, POMPA EMİŞ	PIPE, FUEL, SUCTION	1					
348A	H209004284	HORTUM, YAKIT	HOSE, FUEL	1					
348B	H209004297	HORTUM, YAKIT	HOSE, FUEL	1					
425	H209004307	BRAKET, VALF	BRACKET, VALVE	1					
426	H349004441	CIVATA	BOLT	2					M8X25
427	H349004214	CONTA	GASKET	3					

**YAKIT FİLTRESİ  
FUEL FILTER**



**ANA FİLTRE  
MAIN FILTER**

1 (A)

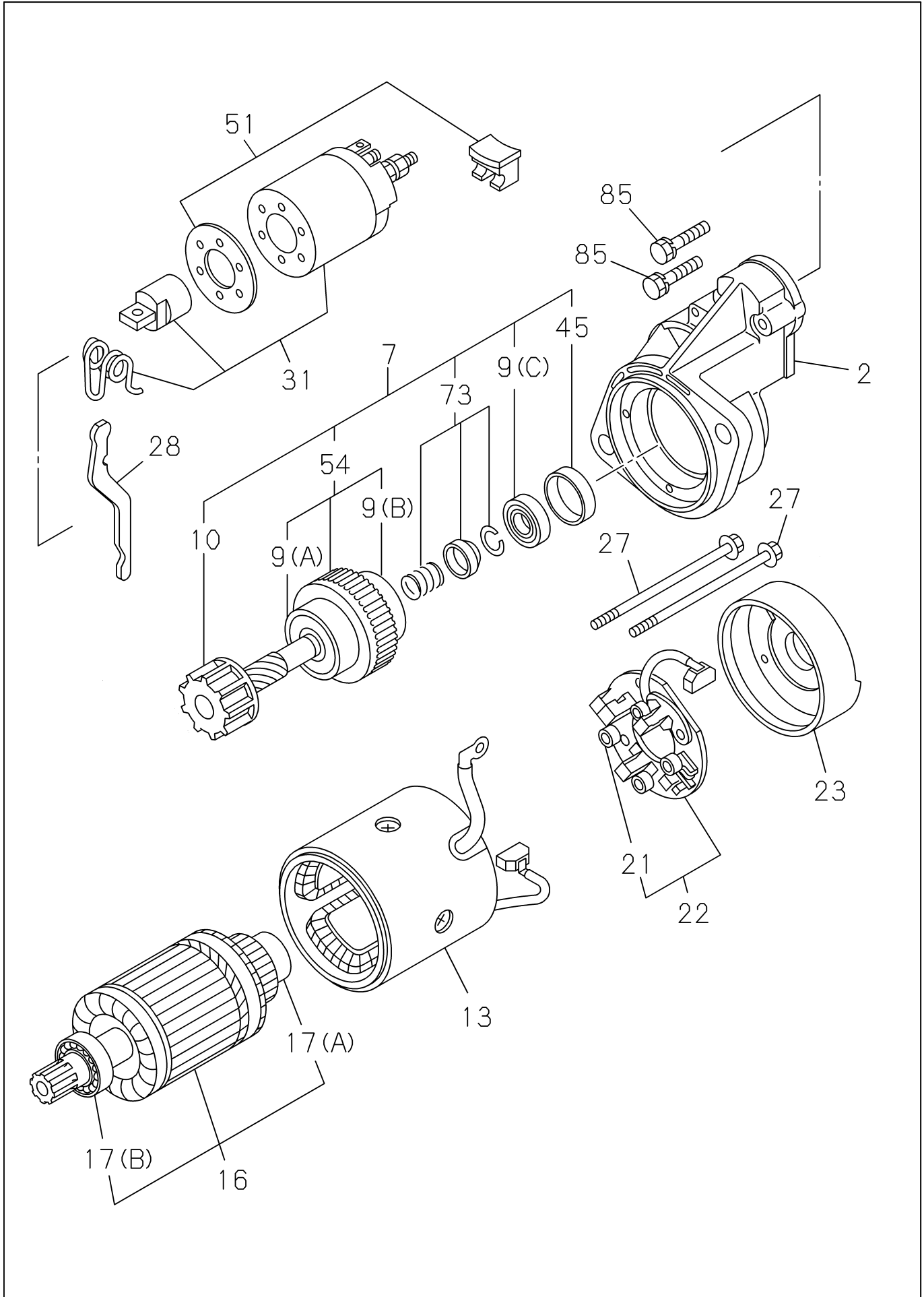
**ÖN FİLTRE  
PRE FILTER**

1 (E)

## YAKIT FİLTRESİ FUEL FILTER

No	Parça No	Parça Adı		Adet	S.K.	Bas.S.N	Bit.S.N	Y.K.	Not
No	Part no	Description		Qty	SC	S/N from	S/N to	ICA	Note
1A	H349004140A	FİLTRE KOMPLESİ, YAKIT ÖN	FILTER ASM, SUB FUEL	1					
1E	H349004142B	FİLTRE KOMPLESİ, YAKIT ANA	FILTER ASM, FUEL	1					
2A	H349004017A	FİLTRE KİTİ, YAKIT ÖN	ELEMENT KIT, FUEL FILTER	1					
2B	H349004018B	FİLTRE KİTİ, YAKIT ANA	ELEMENT KIT, FUEL FILTER	1					
2B	H349004018C	FİLTRE KİTİ, YAKIT ANA	ELEMENT KIT, FUEL FILTER	1					
8A	H349004399	FİLTRE KAFASI	COVER, FUEL FILTER	1					
8B	H349004022	FİLTRE KAFASI	COVER, FUEL FILTER	1					
9	H349004573	CONTA	GASKET	8					
11	H349004129	CONTA	GASKET	2					
17	H349004130	YÜZER HALKA	FLOAT, WATER SEPARATOR	2					
56A	H349004401	TAPA	PLUG, FUEL FILTER	1					
56B	H349004402	TAPA	PLUG	1					
66	H349004403	CONTA	GASKET	2					
69	H349004574	BANJO CIVATA	BOLT, EYE FUEL FILT	4					M16X30
94	H349004400	TAPA	PLUG	2					
105	H349004404	ÇANAK, SU AYIRICI	CASE, FUEL FILTER	2					
106	H349004575	YAKIT BORUSU	PIPE, FUEL	4					
119	H349004405	TAPA	PLUG	2					

**MARŞ MOTORU  
STARTER**



## MARŞ MOTORU STARTER

No	Parça No	Parça Adı		Adet	S.K.	Bas.S.N	Bit.S.N	Y.K.	Not
No	Part no	Description		Qty	SC	S/N from	S/N to	ICA	Note
0	H209004291	MARŞ MOTORU KOMPLESİ	STARTER MOTOR ASS'Y	1					
2	H209004398	GÖVDE, MARŞ MOTORU	CASE, PINION, STARTER	1					
7	H209004388	KAVRAMA KOMPLESİ, PİNYON, MARŞ	CLUTCH ASM, PINION, STARTER	1					
9A	H209004390	RULMAN	BEARING, GEAR SHAFT STARTER	1					
9B	H209004391	RULMAN	BEARING, GEAR SHAFT STARTER	1					
9C	H209004394	RULMAN	BEARING, GEAR SHAFT STARTER	1					
10	H209004392	MİL, DIŞLI MARŞ	SHAFT, GEAR STARTER	1					
13	H209004383	SARGI KOVANI	YOKE, STARTER	1					
16	H209004380	ENDÜVİ, MARŞ MOTORU	ARMATURE, STARTER	1					
17A	H209004381	RULMAN	BEARING, ARMATURE, STARTER	1					
17B	H209004382	RULMAN	BEARING, ARMATURE, STARTER	1					
21	H209004387	YAY	SPRING, BRUSH HOLDER STARTER	4					
22	H209004386	KÖMÜR TUTUCU	HOLDER, BRUSH STARTER	1					
23	H209004385	KAPAK, ARKA, MARŞ	COVER, RR COVER STARTER	1					
27	H209004402	CIVATA	BOLT, THROUGH, STARTER	2					
28	H209004399	LEVYE, MARŞ KAVRAMA	LEVER, SHIFT, STARTER	1					
31	H209004396	MARŞ SOLENOİDİ	SWITCH, ENGAGE STARTER	1					
45	H209004395	SEGMAN	RETAINER, BEARING, STARTER	1					
51	H209004400	KAPAK SETİ	COVER SET, DUST ENGAGE SW STARTER	1					
54	H209004389	KAVRAMA, PİNYON, MARŞ	CLUTCH, PINION, STARTER	1					
73	H209004393	STOPER	STOPPER SET, PINION	1					
85	H209004401	CIVATA	BOLT, ENGAGE SW FIX, STARTER	2					

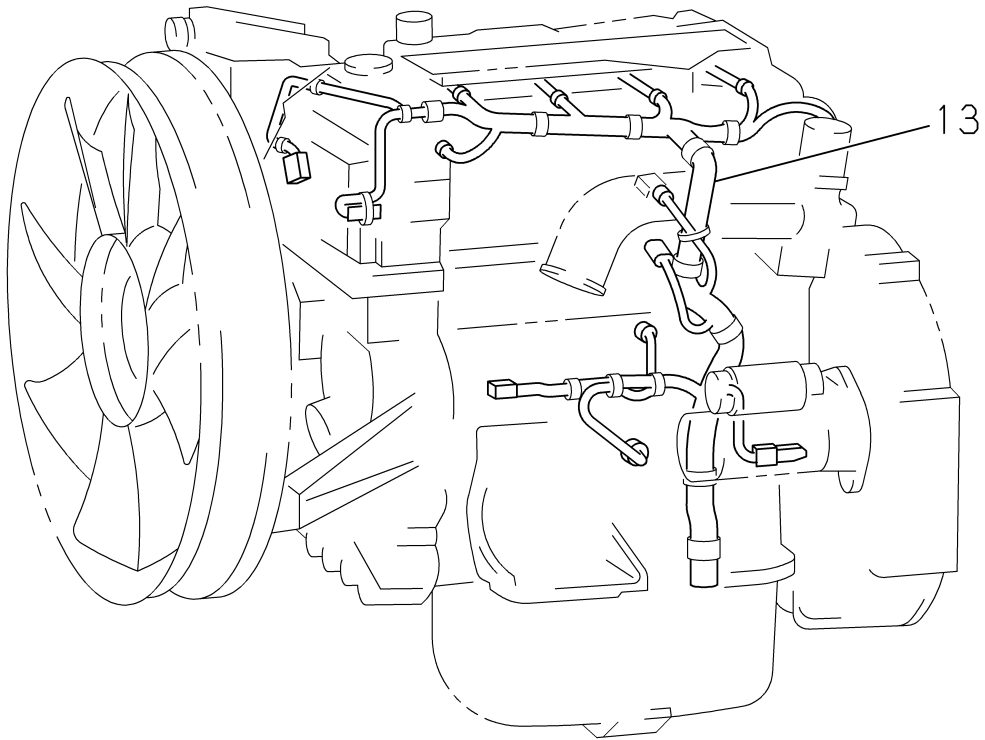




## ALTERNATÖR GENARATOR

No	Parça No	Parça Adı		Adet	S.K.	Bas.S.N	Bit.S.N	Y.K.	Not
No	Part no		Description	Qty	SC	S/N from	S/N to	ICA	Note
0	H209004309	ALTERNATÖR KOMPLESİ	GENERATOR ASS'Y	1					
1	H209004407	KAPAK KOMPLESİ, ALTERNATÖR ARKA	COVER ASS'Y, REAR, GENERATOR	1					
2	H349004507	ROTOR KİTİ, ALTERNATÖR	ROTOR, GENERATOR	1					
3A	H349004509	RULMAN	BEARING, ROTOR, GEN	1					
3B	H349004508	RULMAN	BEARING, ROTOR, GEN	1					
4	H349004510	TERMİNAL	TERMINAL, BRUSH, GEN	1					
6	H349004511	REGÜLATÖR KOMPLESİ, ALTERNATÖR	REGULATOR ASS'Y, GENERATOR	1					
10	H349004512	REKTEFİYER, GEN	RECTIFIER, GEN	1					
14	H349004513	BİLEZİK, ÇELİK	COLLAR, STEEL	2					
15	H209004405	RULMAN YATAĞI	RETAINER, ROTOR	1					
17	H209004404	KAPAK KOMPLESİ, ALTERNATÖR ÖN	COVER ASS'Y, FRONT, GENERATOR	1					
18	H349004516	SOMUN	NUT	1					
19	H209004406	KASNAK, ALTERNATÖR	PULLEY, GENARATOR	1					
20	H349004518	FAN, ALTERNATÖR	FAN, GEN	1					
21	H349004519	CIVATA	BOLT, THROUGH	3					
22	H349004520	STATÖR, ALTERNATÖR	STATOR, ALTERNATOR	1					
23	H349004521	BOBİN	COIL, ROTOR GEN	1					
39	H209004409	KAPAK, ALTERNATÖR ARKA	COVER, END, REAR	1					
43	H349004523	CIVATA	SCREW, RR END CVR	3					
49	H349004525	BURÇ	BUSHING, RECTIFIER	2					
62	H349004526	KELEPÇE	CLIP, TERMINAL, BRUSH	1					
65	H349004527	SOĞUTUCU, ALTERNATÖR	CONDENSER, GENARATOR	1					
71	H349004528	KABLO TUTUCU	HOLDER, TERMINAL	1					
87	H349004529	PUL	WASHER, PULLEY, GEN	1					
88	H349004530	PUL	WASHER, PL, PULLEY GEN	1					
89	H349004531	CIVATA	BOLT, RECTIFIER, GEN	1					

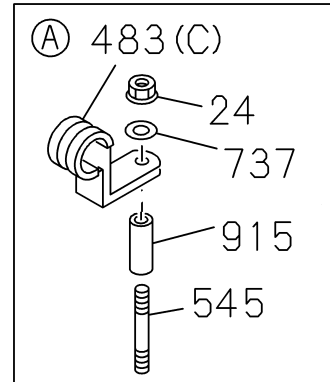
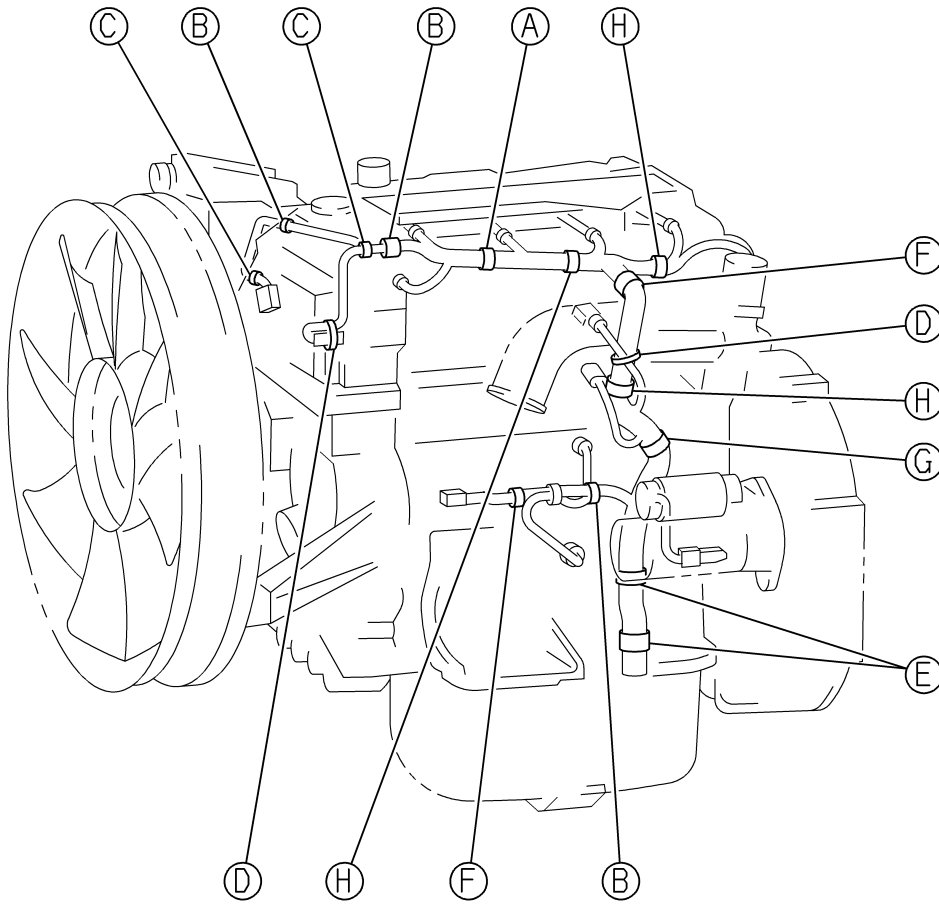
**MOTOR ELEKTRİK TESİSATI  
ENGINE WIRING HARNESS**



**MOTOR ELEKTRİK TESİSATI  
ENGINE WIRING HARNESS**

No	Parça No	Parça Adı		Adet	S.K.	Bas.S.N	Bit.S.N	Y.K.	Not
No	Part no		Description	Qty	SC	S/N from	S/N to	ICA	Note
13	H209004260	ELEKTRİK TESİSATI, MOTOR	HARNESS, ENGINE	1					

**ELEKTRİK TESİSATI SABİTLEME ELEMANLARI  
HARNESS FIXING PARTS**

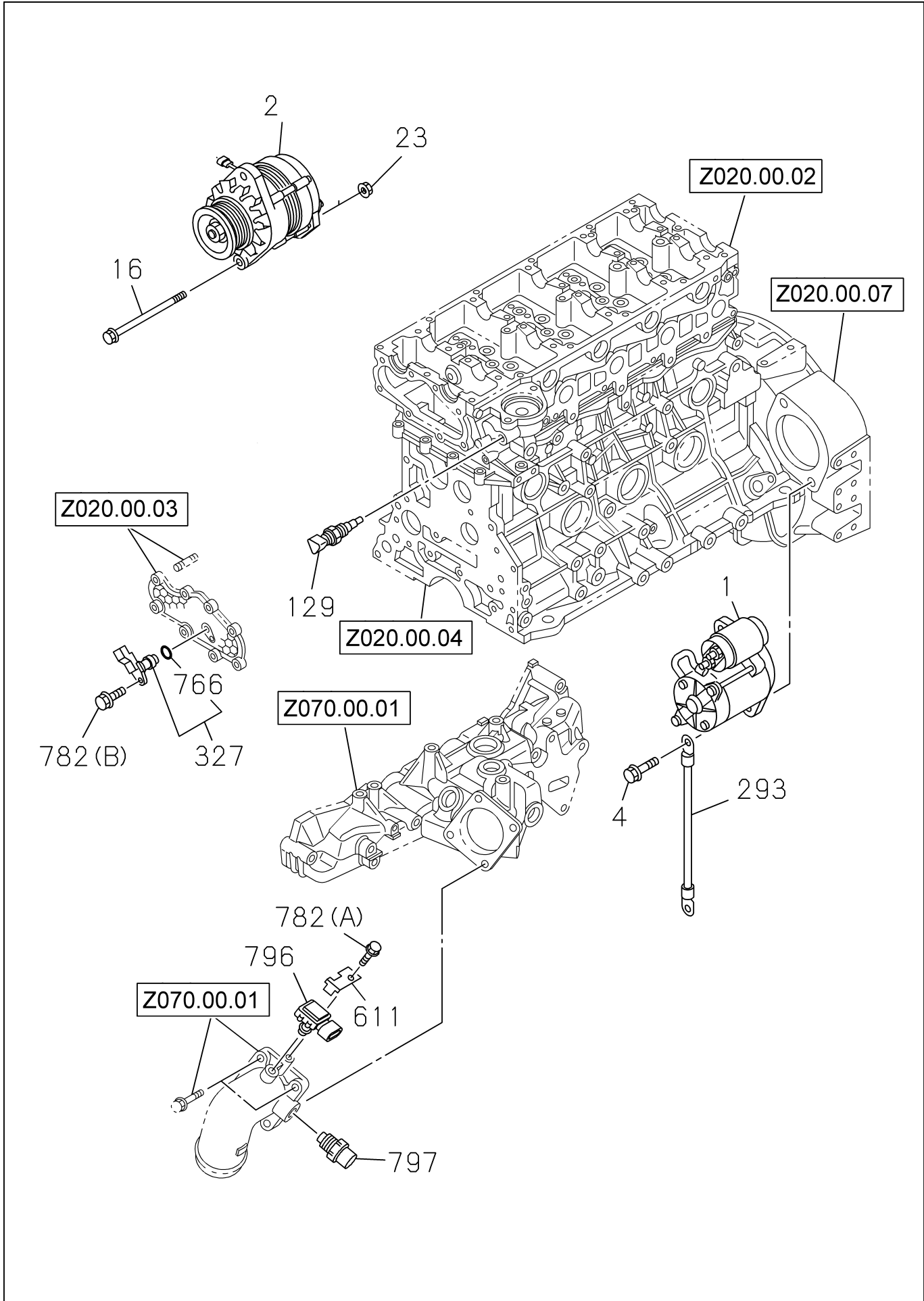


<p>Ⓑ</p> <p>150 (B)</p> <p>483 (A)</p>	<p>Ⓒ</p> <p>102 (A)</p>	<p>Ⓓ</p> <p>102 (B)</p>	<p>Ⓔ</p> <p>483 (B)</p> <p>150 (C)</p>	<p>24V SPEC</p> <p>483 (B)</p> <p>150 (C)</p>
<p>Ⓕ</p> <p>150 (B)</p> <p>483 (D)</p>	<p>Ⓖ</p> <p>150 (A)</p> <p>483 (D)</p>	<p>Ⓖ</p> <p>150 (B)</p> <p>483 (C)</p>	<p>Ⓖ</p> <p>Z060.00.05</p> <p>483 (B)</p> <p>150 (C)</p>	

**ELEKTRİK TESİSATI SABİTLEME ELEMANLARI  
HARNESS FIXING PARTS**

No	Parça No	Parça Adı		Adet	S.K.	Bas.S.N	Bit.S.N	Y.K.	Not
No	Part no		Description	Qty	SC	S/N from	S/N to	ICA	Note
24	H349004179	SOMUN	NUT	1					M8
102A	H349004552	KABLO BAĞI	CLIP, BAND, HARNESS	4					
102B	H349004472	KELEPÇE	CLIP, HARNESS	3					
150A	H349004268	CIVATA	BOLT	1					M6X12
150B	H349004192	CIVATA	BOLT	8					M8X12
150C	H209004008	CIVATA	BOLT, CLIP	2					M10X16
483A	H259002653	KELEPÇE	CLIP, HARNESS	2					
483B	H349004467	KELEPÇE	CLIP, HARNESS	2					
483C	H209004055	KELEPÇE	CLIP, HARNESS	3					
483D	H209004056	KELEPÇE	CLIP, HARNESS	1					
545	H259002160	SAPLAMA	STUD	1					M8X55
737	H209004042	PUL	WASHER, PL	1					
915	H259002565	ARA PARÇA	SPACER	1					

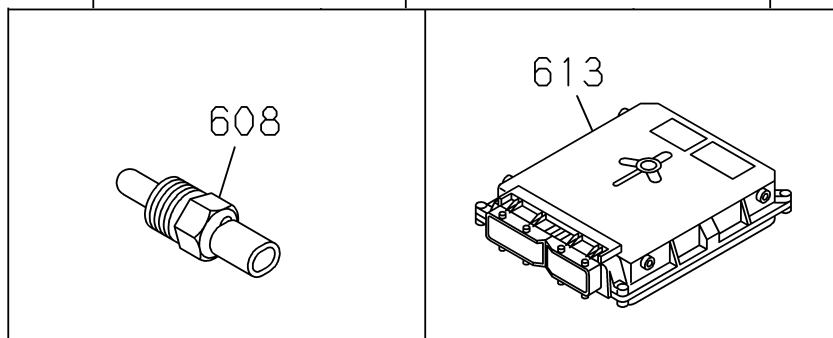
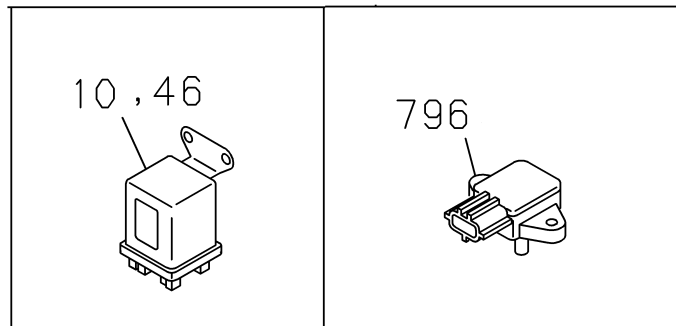
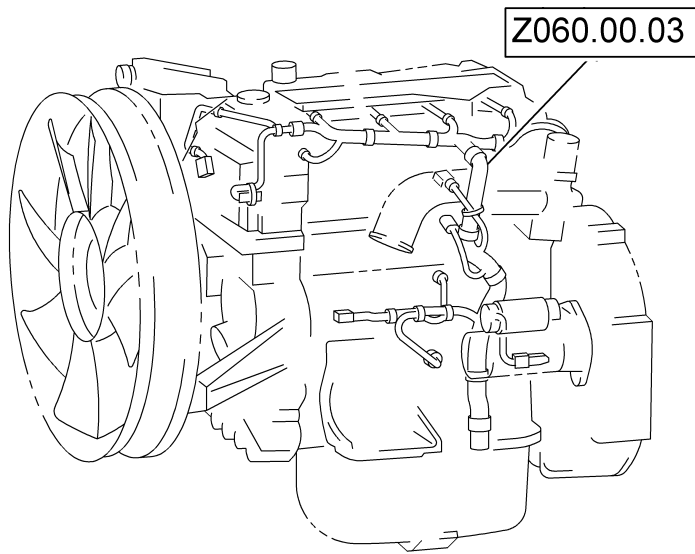
### ELEKTRİK KONTROL PARÇALARI 1 ELECTRIC CONTROL PARTS 1



**ELEKTRİK KONTROL PARÇALARI 1**  
**ELECTRIC CONTROL PARTS 1**

No	Parça No	Parça Adı		Adet	S.K.	Bas.S.N	Bit.S.N	Y.K.	Not
No	Part no	Description		Qty	SC	S/N from	S/N to	ICA	Note
1	H209004291	MARŞ MOTORU KOMPLESİ	STARTER MOTOR ASS'Y	1					24V
2	H209004309	ALTERNATÖR KOMPLESİ	GENERATOR ASS'Y	1					24V
4	H209004021	CIVATA	BOLT	2					M12X35
16	H209004014	CIVATA	BOLT, GEN	1					M10X130
23	H259002145	SOMUN	NUT	1					M10
129	H209004323	SENSÖR, KIZDIRMA BUJİSİ	SENSOR, GLOW PLUG, THERMO	1					
293	H209004118	KABLO, MARŞ ŞASI	CABLE, STARTER EARTH	1					
327	H209004130	SENSÖR, KAM MİLİ AÇISI	SENSOR, CAMSHAFT POSITION	1					
611	H209004121	BRAKET, SENSÖR	BRACKET, SENSOR	1					
766	H209004169	CONTA	GASKET, SENSOR	1					
782A	H349004268	CIVATA	BOLT	1					M6X12
782B	H349004555	CIVATA	BOLT	1					M6X16
796	H209004085	SENSÖR, BAROMETRİK	SENSOR, MAP	1					
797	H349004032	SENSÖR, SICAKLIK	SENSOR, MAT	1					

**ELEKTRİK KONTROL PARÇALARI 2**  
**ELECTRIC CONTROL PARTS 2**

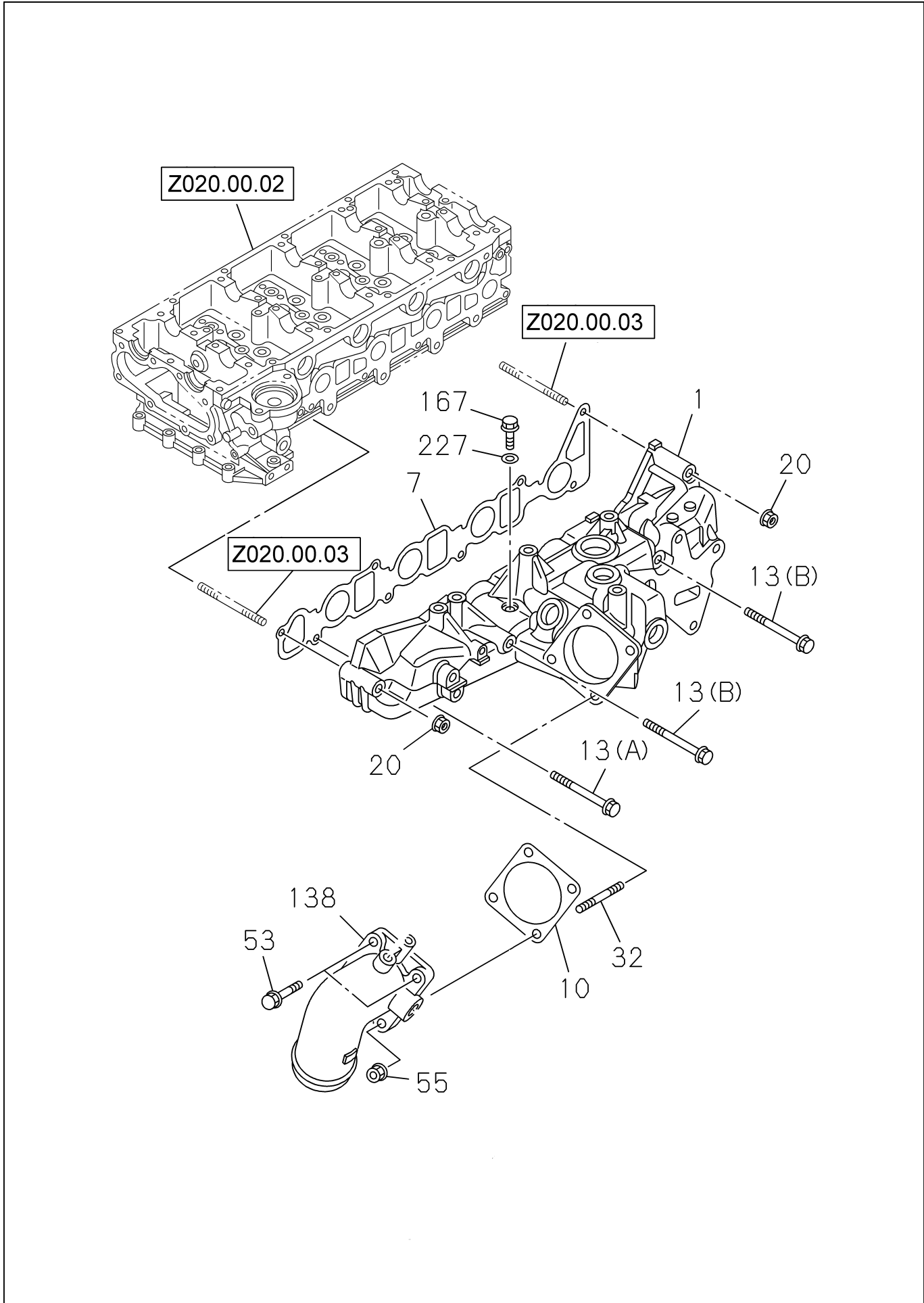




**ELEKTRİK KONTROL PARÇALARI 2**  
**ELECTRIC CONTROL PARTS 2**

No	Parça No	Parça Adı		Adet	S.K.	Bas.S.N	Bit.S.N	Y.K.	Not
No	Part no		Description	Qty	SC	S/N from	S/N to	ICA	Note
10	H349004023	RÖLE, MARŞ MOTORU	RELAY, STARTER	1					24V
46	H349004024	RÖLE, KIZDIRMA BUJİSİ	RELAY, GLOW PLUG	1					24V
608	H349004032	SENSÖR, SICAKLIK	SENSOR, MAT	1					
613	H209004317	KONTROL ÜNİTESİ, MOTOR (ECU)	CONTROL UNIT, ENGINE (ECU)	1					
796	H349004031	SENSÖR, BAROMETRİK	SENSOR, MAP	1					

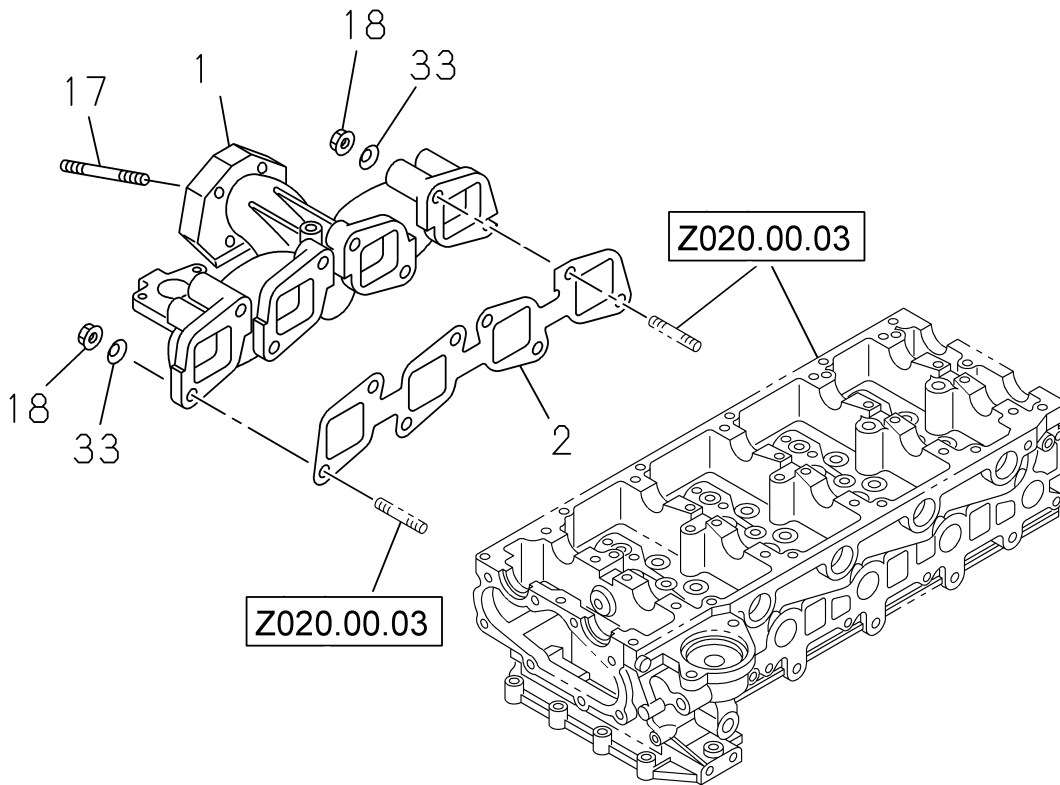
### EMME MANIFOLDU INLET MANIFOLD



**EMME MANİFOLDU  
INLET MANIFOLD**

No	Parça No	Parça Adı		Adet	S.K.	Bas.S.N	Bit.S.N	Y.K.	Not
No	Part no		Description	Qty	SC	S/N from	S/N to	ICA	Note
1	H209004332	EMME MANİFOLDU	MANIFOLD, INL	1					201201-2014 09
1	H209004332A	EMME MANİFOLDU	MANIFOLD, INL	1					201410-
7	H209004304	CONTA	GASKET, INL MANIF TO HD	1					200909-2013 02
7	H209004304A	CONTA	GASKET, INL MANIF TO HD	1					201303-
10	H209004312	CONTA	GASKET, INL PIPE TO MANIF	1					
13A	H349004332	CIVATA	BOLT	4					M8X70
13B	H349004534	CIVATA	BOLT	2					M8X110
20	H349004179	SOMUN	NUT	2					M8
32	H209004023	SAPLAMA	STUD, INL PIPE	2					M6X20
53	H209004018	CIVATA	BOLT	2					M6X30
55	H209004037	SOMUN	NUT, INL PIPE	2					M6
138	H209004270	BORU KOMPLESİ, HAVA GİRİŞ	PIPE, INLET	1					
167	H209004049	TAPA	PLUG, INL MANIF	1					
227	H349004429	CONTA	GASKET	1					

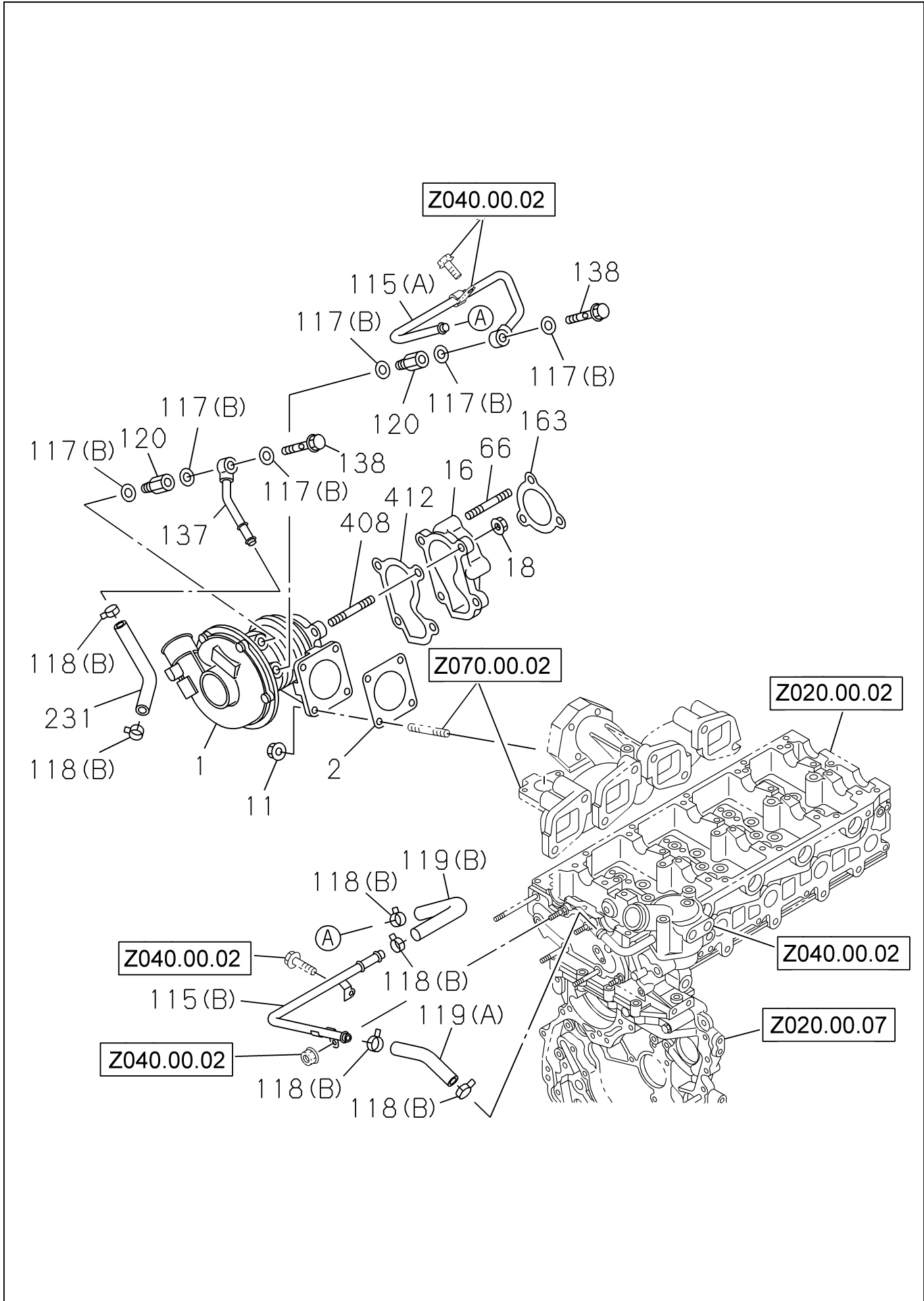
**EGZOZ MANİFOLDU**  
**EXHAUST MANIFOLD**



**EGZOZ MANİFOLDU  
EXHAUST MANIFOLD**

No	Parça No	Parça Adı	Adet	S.K.	Bas.S.N	Bit.S.N	Y.K.	Not
No	Part no	Description	Qty	SC	S/N from	S/N to	ICA	Note
1	H209004246	MANİFOLD, EGZOZ	1					
2	H209004348	CONTA	1					
17	H209004178	SAPLAMA	4					M8X20
18	H209004184	SOMUN	8					M10
33	H209004062	PUL	8					

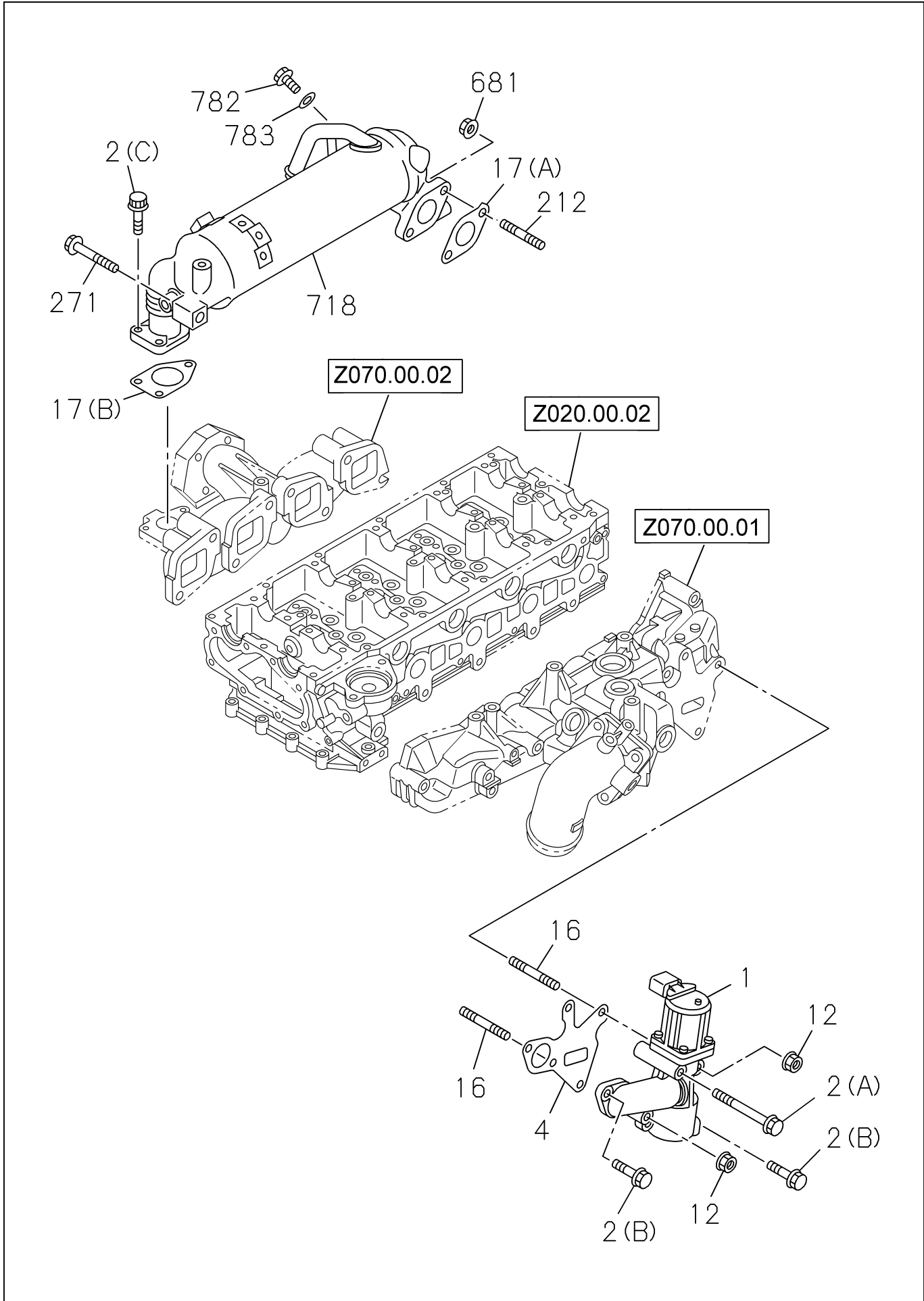
### TURBOŞARJ SİSTEMİ TURBOCHARGER SYSTEM



**TURBOŞARJ SİSTEMİ**  
**TURBOCHARGER SYSTEM**

No	Parça No	Parça Adı		Adet	S.K.	Bas.S.N	Bit.S.N	Y.K.	Not
No	Part no	Description		Qty	SC	S/N from	S/N to	ICA	Note
1	H209004337	TURBOŞARJ KOMPLESİ	TURBOCHARGER ASM	1					
2	H209004105	CONTA	GASKET, TURBOCHARGER TO EXH MANIF	1					
11	H209004117	SOMUN	NUT	4					M8
16	H209004248	ADAPTÖR	ADAPTER, EXH PIPE	1					
18	H209004117	SOMUN	NUT	4					M8
66	H349004346	SAPLAMA	STUD	3					
115A	H209004238	BORU KOMPLESİ, SU, TURBOŞARJ ÇIKIŞI	PIPE, WATER, TURBOCHARGER OUT	1					
115B	H209004239	BORU KOMPLESİ, SU, TURBOŞARJ ÇIKIŞI	PIPE, WATER, TURBOCHARGER OUT	1					
117B	H209004367	CONTA	GASKET, WATER PIPE	6					
118B	H209004098	KELEPÇE	CLIP, WATER HOSE	2					
119A	H209004003	HORTUM KOMPLESİ, SU, TURBOŞARJ	HOSE, WATER, TURBOCHARGER	1					
119B	H209004243	HORTUM KOMPLESİ, SU, TURBOŞARJ	HOSE, WATER, TURBOCHARGER	1					
120	H209004109	ADAPTÖR	ADAPTER	2					
137	H209004240	BORU KOMPLESİ, SU, TURBOŞARJ GİRİŞ	PIPE, WATER, TURBOCHARGER IN	1					
138	H209004053	CIVATA	BOLT, EYE, WATER PIPE	2					M12X24
163	H209004099	CONTA	GASKET, ADAPTER TO EXH PIPE	1					
231	H209004244	HORTUM KOMPLESİ, LASTİK, TURBOŞARJ ÇIKIŞ	HOSE, RUBBER, TURBOCHARGER OUT	1					
408	H209004178	SAPLAMA	STUD	4					M8X20
412	H209004104	CONTA	GASKET, TURBOCHARGER	1					

EGR  
EGR

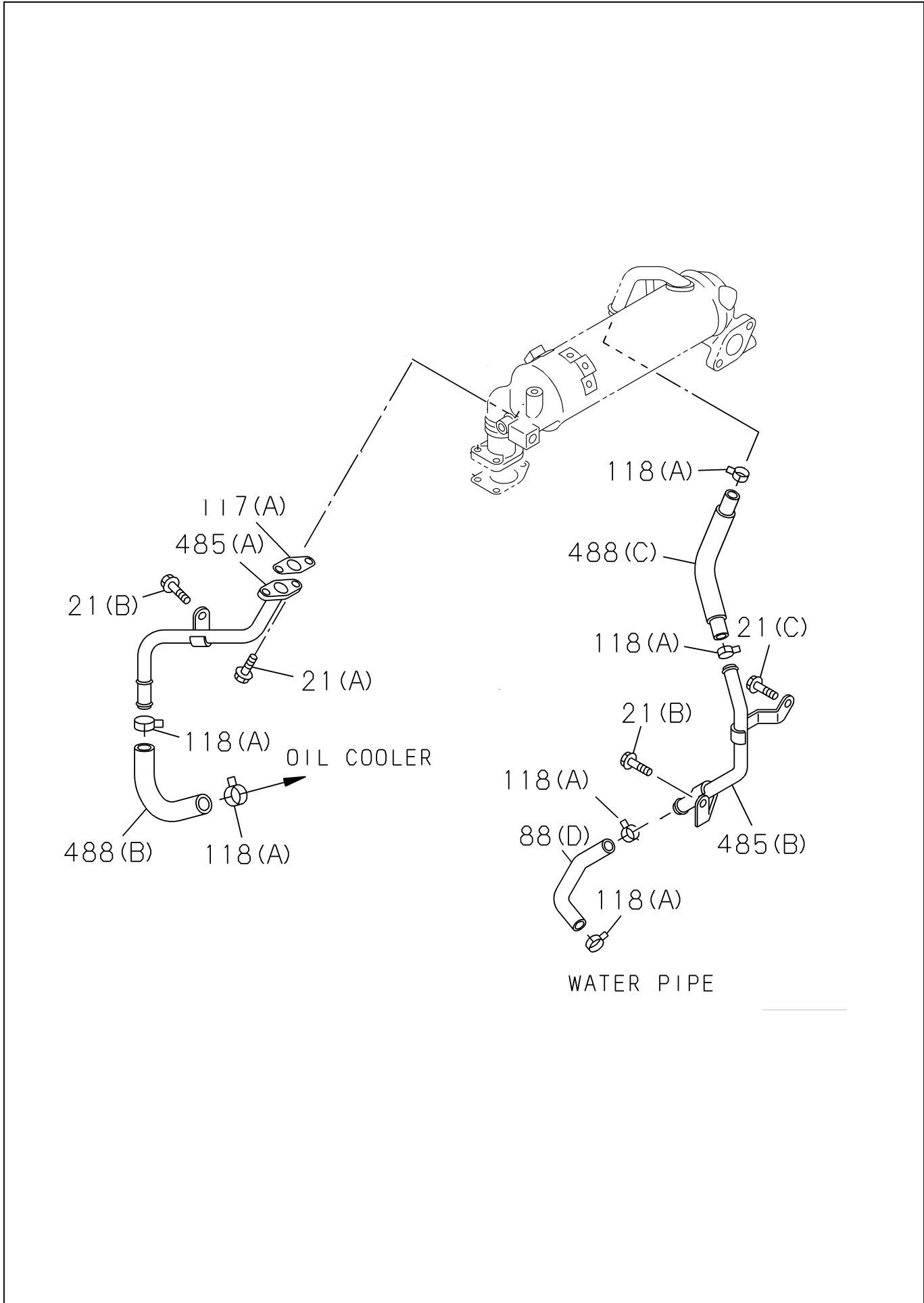




**EGR  
EGR**

No	Parça No	Parça Adı		Adet	S.K.	Bas.S.N	Bit.S.N	Y.K.	Not
No	Part no		Description	Qty	SC	S/N from	S/N to	ICA	Note
1	H209004336	EGR VALFİ	VALVE, EGR	1					200706-2014 04
1	H209004336A	EGR VALFİ	VALVE, EGR	1					201405-
2A	H259002159	CIVATA	BOLT	1					
2B	H349004441	CIVATA	BOLT	2					
2C	H209004114	CIVATA	BOLT, EGR VLV	3					
4	H209004311	CONTA	GASKET, EGR VLV	1					
12	H349004179	SOMUN	NUT	2					
16	H209004028	SAPLAMA	STUD	2					
17A	H209004158	CONTA	GASKET, EGR PIPE	1					
17B	H209004226	CONTA	GASKET, EGR PIPE	1					
212	H349004434	SAPLAMA	STUD	2					M8X25
271	H259002195	CIVATA	BOLT	1					
681	H349004179	SOMUN	NUT	2					
718	H209004305	SOĞUTUCU KOMPLESİ, EGR	COOLER, EGR	1					
782	H349004454A	TAPA	PLUG	1					
783	H349004429	CONTA	GASKET	1					

### EGR SOĞUTUCU TESİSATI EGR WATER PIPING



**EGR SOĞUTUCU TESİSATI  
EGR WATER PIPING**

No	Parça No	Parça Adı		Adet	S.K.	Bas.S.N	Bit.S.N	Y.K.	Not
No	Part no		Description	Qty	SC	S/N from	S/N to	ICA	Note
21A	H209004004	CIVATA	BOLT	2					M6X20
21B	H349004192	CIVATA	BOLT	2					M8X12
21C	H349004560	CIVATA	BOLT	1					M8X16
117A	H209004126	CONTA	GASKET, WATER PIPE	1					
118A	H209004089	KELEPÇE	CLIP, WATER HOSE	6					
485A	H209004241	BORU, SU	PIPE, WATER EGR	1					
485B	H209004242	BORU, SU	PIPE, WATER EGR	1					
488B	H209004286	HORTUM	HOSE, RUBBER	1					
488C	H209004245	HORTUM	HOSE, RUBBER	1					



# INDEX

# INDEX

Parça No	Sayfa No	No
Part no	Page No	No
97M091232	F060.00.07	59
97N091211	F120.00.01	3
97N091216	F120.01.01	14
97N091217	E010.00.01	1
97N091220	F030.00.03	1
97N091228	F060.00.03	53
97N091229	F060.00.03	59
97N091230	F060.00.03	51
97N091234	F120.01.01	3
97N091235	F120.01.01	7
97N091239	F060.00.03	60
97N091245	F120.00.01	7
97N091246	F060.00.03	56
97N091247	F120.00.01	5
97N091254	F120.00.01	6
97N091256	F060.00.04	83
97N091261	F120.01.01	5
97P091230	F060.00.03	63
97Q091205	F060.00.04	90
97Q091208	F060.00.04	78
97Q091214	F060.00.05	16
97Q091220	F060.00.07	44
97Q091222	F050.00.04	1
97Q091223	F050.00.02	18
97Q091223	F060.00.03	67
97Q091223	F140.00.01	13
97Q091223	F140.01.01	10
97Q091224	F050.00.04	2
97Q091224	F090.00.01	48
97Q091224	F090.01.01	42
97Q091225	F050.00.02	17
97Q091228	F060.00.03	71
97Q091229	F060.00.03	70
97Q091230	F060.00.03	69
97Q091230	F140.00.01	9
97Q091230	F140.01.01	9
97Q091231	F060.00.03	72
97Q091231	F140.00.01	12
97Q091231	F140.01.01	11
97Q091232	F060.00.03	75
97Q091235	F120.01.01	4
97Q091236	E010.00.01	2
97Q091236	F060.00.04	79
97Q091236	F080.00.01	40
97Q091236	F080.01.01	40
97Q091236	F080.02.01	40
97Q091237	F120.01.01	6
97Q091238	F060.00.05	19
97Q091238	F060.00.08	58
97Q091240	F060.00.05	23
97Q091241	F100.00.01	14
97Q091247	F060.00.08	55
97Q091250	F060.00.04	87
97Q091256	F060.00.04	84
97Q091274	F090.00.01	46
97Q091274	F090.01.01	40
97Q091282	F060.00.07	46
97Q091318	J010.00.01	48
97Q091323	J010.00.01	50
97Q092220	J020.00.01	19
97Q092222	F060.00.07	63
97Q092223	J020.00.01	18

Parça No	Sayfa No	No
Part no	Page No	No
97Q092224	F060.00.07	62
97Q092247	J010.00.01	31
97Q092247	J010.00.01	32
97Q092260	F060.00.07	50
97Q092333	J010.00.01	36
97Q0912108	F140.01.01	13
97Q0912134	F150.00.01	6
97Q0912138	F150.01.01	3
97S091209	F060.00.04	77
97S091213	F060.00.08	53
97S091218	F060.00.05	14
97S091222	F060.00.05	15
97S091225	F050.00.03	4
97S091225	F050.00.04	3
97S091234	F060.00.05	21
97S091234	F060.00.08	56
97S091236	F060.00.04	85
97S091238	F060.00.08	57
97S091238	F080.00.01	50
97S091238	F080.01.01	50
97S091238	F080.02.01	50
97S091242	F060.00.08	51
97S091250	F060.00.03	66
97S091256	F060.00.08	64
97S091257	F060.00.08	54
97S091260	F090.00.01	47
97S091260	F090.01.01	41
97S091278	F060.00.07	45
97T091209	F060.00.04	89
97T091219	F060.00.04	76
97T092337	J010.00.01	35
97U091231	F100.00.01	15
97U091240	F060.00.08	49
97U091250	F060.00.03	65
97U091256	F060.00.04	81
97U092217	F050.00.03	5
97V091210	F060.00.05	18
97V091234	F060.00.05	20
97V091239	F060.00.04	80
97V091240	F060.00.05	17
97V091244	F060.00.07	60
97V092217	F050.00.03	6
98U010110	K120.00.01	11
98U010310	B010.00.01	2
98Y040110	B010.00.01	3
98Y040130	A040.00.01	2
98Y040130	B010.00.01	4
98Y040140	B200.00.01	1
98Z010010	B100.00.01	26-1
98Z020010	A040.00.01	3
98Z020010	B120.00.01	3-1
98Z020010	B120.00.01	4-1
99H192211	J020.00.01	21
99K074714	F030.00.03	3
99K074714	F090.00.01	5
99K074717	F030.00.02	4
99K074717	F090.00.01	50
99K074717	F090.01.01	52
99K074719	F080.00.01	5
99K074719	F080.01.01	5
99K074719	F080.03.01	29
99K074719	F090.01.01	29

Parça No	Sayfa No	No
Part no	Page No	No
99K193312	F050.00.02	15
99L093244	J010.00.01	30
99L173716	F050.00.05	1
99M074717	F030.00.02	5
99M074719	F030.00.02	6
99M074722	F080.00.01	4
99M074722	F080.01.01	4
99M074722	F080.02.01	4
99M074722	F080.03.01	28
99M193312	F050.00.02	14
99N073750	F050.00.04	7
99N074716	F070.00.01	1
99N074716	F070.01.01	1
99N074716	F070.02.01	1
99N074716	F070.03.01	1
99N074716	F070.04.01	1
99N074722	F070.03.01	10
99N074722	F070.03.01	12
99N094207	F030.00.03	7
99N098209	F100.00.01	25
99N174713	F030.00.02	8
99N374730	F080.00.01	6
99N374730	F080.01.01	6
99N374730	F080.02.01	6
99N374730	F090.00.01	6
99P073711	F030.00.03	9
99P073718	F030.00.03	10
99P074710	F090.00.01	49
99P074710	F090.01.01	51
99P374732	F030.00.02	11
99P374732	F080.03.01	6
99P374732	F090.01.01	6
99Q073720	F050.00.04	8
99Q073724	F050.00.04	9
99Q073726	F050.00.04	10
99Q073770	F050.00.04	11
99Q074709	F090.00.01	4
99Q074714	F030.00.02	12
99Q074716	F030.00.01	13
99Q074720	F090.01.01	28
99Q077710	F050.00.03	12
99Q077717	F050.00.03	13
99Q092213	J020.00.01	20
99Q092338	J010.00.01	47
99Q093211	F060.00.08	52
99Q093213	F030.00.03	48
99Q093216	F050.00.03	14
99Q093237	F060.00.07	61
99Q093273	H010.00.01	10
99Q093376	H010.00.01	9
99Q093425	F050.00.04	15
99Q093432	H010.00.01	11
99Q093435	H010.00.01	12
99Q094140	A010.00.01	1
99Q094142	A010.00.01	2
99Q094210	F030.00.01	15
99Q095214	H010.00.01	8
99Q173712	F050.00.06	1
99Q174634	F080.02.01	8
99Q174732	F070.02.01	2
99Q174736	F070.01.01	2
99Q174736	F070.04.01	10

# INDEX

Parça No	Sayfa No	No
Part no	Page No	No
99Q198224	F100.00.01	21
99Q398220	F100.00.01	31
99Q0982171	F100.00.01	19
99Q0982176	F100.00.01	18
99R074624	F080.02.01	5
99S091726	F140.01.01	12
99S092524	F060.00.05	13
99S092721	F140.00.01	7
99S093328	F050.00.02	33
99S093337	F050.00.02	16
99T093210	F060.00.07	47
99T093217	F030.00.03	16
99U093228	F030.00.01	17
99U093357	J010.00.01	23
99V093215	F060.00.08	48
99V093263	F060.00.04	86
99V093320	J010.00.01	24
02040190	B010.00.01	1
20102050	G210.00.01	1-15
20203000	G210.00.01	1-7
20305500	G210.00.01	1-6
50614110	K010.00.01	2-2
50614110	K010.00.01	2-2
50614120	K010.00.01	2-3
50614120	K010.00.01	2-3
51001510	K010.00.01	23
51001510	K010.00.01	23
51001810	K010.00.01	24
51001810	K010.00.01	24
51002000	K060.00.01	8
51002000	K090.00.01	6
51011700	F160.00.01	4
51011700	K010.00.02	8
51011700	K100.00.01	3
51012200	A060.00.01	2
51012200	F100.00.01	32
51012200	F140.00.01	15
51012200	F140.01.01	16
51012200	F150.00.01	9
51012200	F150.01.01	5
51012200	K010.00.02	8
52021010	K070.00.01	2
52021010	K080.00.01	2
52021010	K090.00.01	8
52021020	K010.00.01	29
52021020	K010.00.01	38
52021020	K010.00.01	29
52021020	K010.00.01	38
52021020	K060.00.01	2
52021030	D070.00.01	14
52021030	F100.00.01	33
52021110	K010.00.01	4
52021110	K010.00.01	4
52031000	K060.00.01	1
52031015	K070.00.01	3
52031015	K080.00.01	3
52031015	K090.00.01	9
52031180	D070.00.01	13
52031180	F100.00.01	34
52031230	K010.00.01	5
52031230	K010.00.01	5
52031240	K010.00.01	28

Parça No	Sayfa No	No
Part no	Page No	No
52031240	K010.00.01	28
52031420	K010.00.01	37
52031420	K010.00.01	37
52036000	K010.00.01	27
52036000	K010.00.01	39
52036000	K010.00.01	27
52036000	K010.00.01	39
52036000	K010.00.01	39
52705500	K010.00.01	6
52705500	K010.00.01	6
52706050	K010.00.01	7
52706050	K010.00.01	7
52706100	A080.00.01	9-1
52706100	K010.00.01	8
52706100	K010.00.01	8
52706200	K010.00.01	9
52706200	K010.00.01	9
52706620	K010.00.02	24
52706640	K010.00.02	25
52707710	K010.00.02	25-1
52777778	K010.00.02	25-2
52803000	K010.00.01	22
52803000	K010.00.01	22
54502300	A060.00.01	1
79900450	A040.00.01	1
80204070	G210.00.01	1-1
80205100	G210.00.01	1-2
81040016	C060.00.01	48
81040016	C060.00.01	48
81040045	C040.00.01	18-8
81040046	C040.00.01	18-9
81300035	C020.00.01	20
81400155	B030.00.01	38-7
F2520514	C050.00.01	16
F2520514	C050.00.01	16
F2520514	C060.00.01	16
F3210568	C040.00.01	119
F3218691	C060.00.01	1
F3218725	C050.00.01	61
F3218725	C050.00.01	61
F9925242	C040.00.01	1
F9925242	C040.00.01	1
F9925256	K010.00.01	20
F9925256	K010.00.01	20
F9930300	C040.00.01	115
F9940411	C080.00.01	1
F9960260	C080.00.01	2-1
F9970100	F060.00.08	25
F9970100	F080.00.01	20
F9970100	F080.01.01	20
F9970100	F080.02.01	20
F9970100	F080.03.01	13
F9970100	F090.00.01	18
F9970100	F090.01.01	13
F9970100	J010.00.01	51
H067001102	A030.00.01	1
H069111000	A090.00.01	1
H130135102	A040.00.01	4
H130135102	B030.00.01	22-1
H130135102	C070.00.01	4-8
H130135102	C070.00.01	25
H130135102	C080.00.01	25
H130321012	C030.00.01	96

Parça No	Sayfa No	No
Part no	Page No	No
H130321012	C040.00.01	96
H130321012	C040.00.01	96
H130321012	C060.00.01	46
H130321012	C060.00.01	46
H130321012	C070.00.01	24
H130321012	C080.00.01	24
H200100201	F080.00.01	1
H200100201	F080.01.01	1
H200100201	F080.02.01	1
H200100201	F090.00.01	1
H200100501	F080.00.01	2
H200100501	F080.01.01	2
H200100501	F080.02.01	2
H200100501	F090.00.01	2
H200100701	F090.01.01	3
H200100702	F080.03.01	3
H200100900	F070.03.01	25
H200100900	F070.04.01	25
H200100900	F080.00.01	9
H200100900	F080.01.01	9
H200100900	F080.02.01	9
H200100900	F080.03.01	7
H200100900	F090.00.01	9
H200100900	F090.01.01	7
H200101100	F080.00.01	18
H200101100	F080.01.01	18
H200101100	F080.02.01	18
H200101100	F080.03.01	11
H200101100	F090.01.01	11
H200101200	F080.00.01	8
H200101200	F080.01.01	8
H200101200	F080.03.01	5
H200101200	F090.00.01	8
H200101200	F090.01.01	5
H200101300	F080.00.01	7
H200101300	F080.01.01	7
H200101300	F080.02.01	7
H200101300	F090.00.01	7
H200101400	F080.00.01	42
H200101400	F080.01.01	42
H200101400	F080.02.01	42
H200101400	F080.03.01	36
H200101400	F090.00.01	55
H200101400	F090.01.01	56
H200101500	F080.00.01	41
H200101500	F080.01.01	41
H200101500	F080.02.01	41
H200101500	F080.03.01	35
H200101500	F090.00.01	54
H200101500	F090.01.01	55
H200105100	F080.03.01	4
H200105100	F090.01.01	4
H200105200	F080.03.01	1
H200105200	F090.01.01	1
H200105400	F080.03.01	2
H200105400	F090.01.01	2
H200105600	F080.03.01	32
H200105600	F090.01.01	32
H200110100	D070.00.01	0
H200110202	D070.00.01	1
H200111100	F100.00.01	11
H200113001	D070.00.01	2

# INDEX

Parça No	Sayfa No	No
Part no	Page No	No
H200113101	D070.00.01	2-1
H200113800	D070.00.01	2-2
H200114000	D070.00.01	3
H200114100	D070.00.01	4
H200114200	D070.00.01	5
H200114301	D070.00.01	6
H200114500	D070.00.01	7
H200114800	F100.00.01	22
H200115000	G210.00.01	0
H200115100	G210.00.01	1
H200115200	G210.00.01	1-5
H200115500	G210.00.01	1-4
H200115700	G210.00.01	3
H200115800	G210.00.01	4
H200121200	D080.00.01	3
H200122600	D080.00.01	1
H200122700	D080.00.01	2
H200180100	F090.00.01	32
H200180100	F090.01.01	48
H200180201	F090.00.01	37
H200180201	F090.01.01	47
H200190300	F140.00.01	4
H200190301	F140.01.01	4
H200190400	F140.00.01	1
H200190500	F140.00.01	5
H200190501	F140.01.01	5
H200190700	F140.01.01	1
H200190800	F140.01.01	2
H200191401	F140.01.01	6
H200191800	F140.01.01	17
H200192000	F140.01.01	3
H200195300	F150.00.01	4
H200195301	F150.01.01	2
H200195500	F150.01.01	1
H200330000	D060.04.01	0
H200330100	D060.04.01	1
H200335000	D060.03.01	0
H200335100	D060.03.01	1
H200340000	D060.02.01	0
H200340100	D060.02.01	1
H200345000	D060.01.01	0
H200345100	D060.01.01	1
H200385000	D060.05.01	0
H200385100	D060.05.01	2
H200387300	D060.05.01	1
H200501500	K120.00.01	4
H201020101	B010.00.01	5
H20109002	B060.00.01	1
H201109102	B060.00.01	1-2
H201109500	B060.00.01	1-8
H201110002	B110.00.01	2
H201111801	B090.00.01	3
H201118800	B070.00.01	4-1
H201118900	B070.00.01	4-2
H201130101	B070.00.01	4
H201130201	B070.00.01	4-3
H201130801	B070.00.01	4-4
H201131201	B070.00.01	4-5
H201131301	B070.00.01	4-6
H201131802	B070.00.01	4-7
H201132001	B070.00.01	4-8
H201132202	B070.00.01	4-9

Parça No	Sayfa No	No
Part no	Page No	No
H201132401	B070.00.01	4-10
H201132800	B070.00.01	4-11
H201132900	B070.00.01	4-12
H201133100	B100.00.01	26-2
H201133200	B100.00.01	26-3
H201133500	B050.00.01	5
H201133601	B050.00.01	5-1
H201133901	B050.00.01	5-2
H201134301	B050.00.01	5-3
H201134700	B090.00.01	6
H201134800	B090.00.01	7
H201134900	B070.00.01	8
H201135000	B060.00.01	1-9
H201135100	B090.00.01	9
H201135601	B070.00.01	10
H201135801	B070.00.01	11
H201136001	B070.00.01	12
H201136201	B090.00.01	13
H201136202	B090.00.01	13
H201136501	B050.00.01	14
H201136801	B050.00.01	15
H201137001	B050.00.01	16
H201137101	B050.00.01	17
H201137401	B090.00.01	18
H201137601	B090.00.01	19
H201137801	B050.00.01	20
H201137901	B090.00.01	21
H201138301	B090.00.01	22
H201138501	B090.00.01	23
H201139401	B090.00.01	24
H201139800	B100.00.01	25
H201139900	B070.00.01	4-13
H201140001	B090.00.01	99
H201140400	B080.00.01	31-1
H201141001	B100.00.01	26
H201141101	B100.00.01	26-4
H201142500	B100.00.01	26-5
H201143000	B070.00.01	27
H201143100	B070.00.01	28
H201143400	B070.00.01	4-14
H201144600	B100.00.01	29
H201145400	B070.00.01	4-15
H201145601	B070.00.01	4-16
H201145701	B070.00.01	4-17
H201145800	B070.00.01	4-18
H201146600	B100.00.01	30
H201147000	B070.00.01	4-19
H201148000	B080.00.01	31
H201148100	B080.00.01	31-2
H201148800	B070.00.01	4-20
H201149300	B070.00.01	32
H201200204	B010.00.01	6
H201200302	B010.00.01	7
H201200402	B010.00.01	8
H201200703	B010.00.01	9
H201200801	B010.00.01	10
H201200901	B010.00.01	11
H201201100	B030.00.01	12
H201201402	B030.00.01	13
H201201600	B040.00.01	14
H201201700	B040.00.01	15
H201201800	B040.00.01	16

Parça No	Sayfa No	No
Part no	Page No	No
H201202600	B010.00.01	17
H201203900	B010.00.01	18
H201206000	B030.00.01	19
H201206300	B030.00.01	20
H201206400	B030.00.01	21
H201207001	B030.00.01	22
H201207101	B030.00.01	22-2
H201207600	B030.00.01	22-3
H201207800	B030.00.01	22-4
H201207901	B030.00.01	22-5
H201208401	B030.00.01	22-6
H201208700	B030.00.01	23
H201209000	B015.00.01	1
H201209100	B015.00.01	1-1
H201213301	B015.00.01	1-2
H201220400	B010.00.01	24
H202010100	Z010.00.01	1
H202010200	A010.00.01	3
H202010600	A010.00.01	4
H202100100	F010.00.01	1
H202100300	F010.00.01	4
H202210100	A020.00.01	1
H202210200	A020.00.01	2
H202210300	A020.00.01	3
H202210400	A020.00.01	4
H202301701	A030.00.01	2
H202310100	A030.00.01	3
H202310200	A030.00.01	4
H202310400	A030.00.01	5
H202312700	A030.00.01	6
H202404401	A040.00.01	5
H202410500	A040.00.01	6
H202420100	A050.00.01	0
H202420201	A040.00.01	7
H202420300	A040.00.01	24
H202420400	A040.00.01	8
H202420500	A040.00.01	9
H202420800	A040.00.01	10
H202421000	A040.00.01	11
H202421100	A040.00.01	12
H202423000	A040.00.01	28
H202423100	A040.00.01	13
H202500103	A060.00.01	3
H202510100	A060.00.01	4
H202510200	A060.00.01	5
H202510300	A060.00.01	6
H202510400	A060.00.01	7
H202510500	A060.00.01	8
H202510600	A060.00.01	9
H202510700	A060.00.01	10
H202510800	A060.00.01	11
H202510900	A060.00.01	12
H202511000	A060.00.01	13
H202511100	A060.00.01	14
H202710300	A090.00.01	2
H202710400	A090.00.01	3
H202710500	A090.00.01	4
H202710600	A090.00.01	5
H202711600	A090.00.01	6
H202711700	A090.00.01	7
H202711800	A090.00.01	8
H202711900	A090.00.01	9



# INDEX

Parça No	Sayfa No	No
Part no	Page No	No
H202712000	A090.00.01	10
H202712100	A090.00.01	11
H202712400	A090.00.01	12
H202712700	A090.00.01	13
H202712800	A090.00.01	14
H202712900	A090.00.01	15
H202713000	A090.00.01	16
H203000300	G010.00.02	0
H203000600	G030.00.01	0
H203000700	G040.00.01	0
H203001000	F030.00.02	20
H203001100	F030.00.03	2
H203001200	F030.00.02	21
H203001300	F030.00.02	22
H203001400	F030.00.01	23
H203001400	F030.00.01	24
H203001602	F030.00.02	25
H203001802	F030.00.02	26
H203002001	F030.00.02	27
H203002301	F030.00.03	15
H203002400	F030.00.02	28
H203002701	F030.00.03	11
H203003000	F030.00.01	29
H203003100	F030.00.02	30
H203003400	F030.00.02	31
H203003701	F030.00.01	32
H203003901	F030.00.01	33
H203004300	F030.00.03	34
H203004400	F030.00.03	35
H203005200	F030.00.01	36
H203005300	F030.00.01	37
H203006001	F030.00.01	38
H203006400	F030.00.01	39
H203006600	F030.00.01	40
H203010100	G010.00.01	0
H203010500	F030.00.01	42
H203100200	F050.00.02	7
H203100300	F050.00.02	8
H203100400	F050.00.02	19
H203104100	G050.00.01	0
H203110600	J020.00.01	14
H203110700	J020.00.01	15
H203110800	J020.00.01	9
H203111100	J020.00.01	23
H203120101	G220.00.01	0
H203120202	G220.00.01	1
H203120202	G220.00.02	1
H203120301	G220.00.01	1-1
H203120301	G220.00.02	1-1
H203120802	G220.00.01	1-2
H203120802	G220.00.02	1-2
H203121101	G220.00.01	1-6
H203121101	G220.00.02	1-6
H203121101	G230.00.01	1-1
H203121101	G230.00.02	1-1
H203121201	G220.00.01	1-3
H203121201	G220.00.02	1-3
H203121201	G230.00.01	1-2
H203121201	G230.00.02	1-2
H203121301	G220.00.01	1-4
H203121301	G220.00.02	1-4
H203121301	G230.00.01	1-3

Parça No	Sayfa No	No
Part no	Page No	No
H203121301	G230.00.02	1-3
H203121401	G220.00.01	1-5
H203121401	G220.00.02	1-5
H203121401	G230.00.01	1-4
H203121401	G230.00.02	1-4
H203121501	G220.00.01	2
H203121701	G220.00.02	0
H203121801	G220.00.02	2
H203122300	F050.00.06	9
H203122601	G230.00.02	0
H203122701	G230.00.01	1
H203122701	G230.00.02	1
H203122801	G230.00.01	1-5
H203122801	G230.00.02	1-5
H203123101	G230.00.01	1-6
H203123101	G230.00.02	1-6
H203123301	G230.00.01	2
H203123501	G230.00.01	0
H203123601	G230.00.02	2
H203123700	F050.00.05	4
H203124600	G220.00.01	K
H203124600	G220.00.02	K
H203124600	G230.00.01	K
H203124600	G230.00.02	K
H203140101	E050.00.01	1
H203140200	F050.00.03	18
H203140400	F050.00.03	19
H203140600	F050.00.03	20
H203140800	F050.00.03	21
H203201000	F060.00.04	23
H203300100	G180.00.01	0
H203300200	G180.00.02	0
H203300300	G190.00.01	0
H203300400	G200.00.01	0
H203300700	F030.00.01	45
H203300700	F030.00.02	45
H203300700	F070.00.01	6
H203300700	F070.01.01	6
H203300700	F070.02.01	6
H203300700	F070.03.01	2
H203300700	F070.04.01	2
H203300800	F070.00.01	10
H203300800	F070.01.01	10
H203300800	F070.02.01	10
H203300800	F070.03.01	3
H203300800	F070.04.01	3
H203301100	F030.00.01	46
H203301100	F030.00.02	46
H203301200	F030.00.01	47
H203301200	F030.00.02	47
H203301200	F070.00.01	7
H203301200	F070.01.01	7
H203301200	F070.02.01	7
H203301200	F070.03.01	4
H203301200	F070.04.01	4
H203301200	F080.00.01	10
H203301200	F080.01.01	10
H203301200	F080.02.01	10
H203301200	F080.03.01	8
H203301200	F090.00.01	10
H203301200	F090.01.01	8
H203302101	F070.00.01	3

Parça No	Sayfa No	No
Part no	Page No	No
H203302101	F070.01.01	3
H203302101	F070.02.01	3
H203302301	F070.00.01	4
H203302301	F070.01.01	4
H203302301	F070.02.01	4
H203302501	F070.00.01	5
H203302501	F070.01.01	5
H203302501	F070.02.01	5
H203302700	F070.00.01	2
H203302700	F070.04.01	12
H203302900	F070.00.01	14
H203302900	F070.01.01	14
H203302900	F070.02.01	14
H203302900	F070.03.01	11
H203302900	F070.04.01	11
H203310102	G180.01.01	0
H203310202	G180.01.02	0
H203310300	G180.01.03	0
H203310700	F070.03.01	13
H203310700	F070.04.01	13
H203311400	F070.04.01	6
H203311500	F070.03.01	5
H203311500	F070.04.01	5
H203311700	F070.03.01	6
H203311900	F070.03.01	7
H203311900	F070.04.01	7
H203312100	F070.03.01	8
H203312100	F070.04.01	8
H203312200	F070.03.01	22
H203312200	F070.04.01	22
H203312400	F070.03.01	9
H203312400	F070.04.01	9
H203407600	F020.00.01	1
H203500601	H020.00.01	0
H203510300	J010.00.01	58
H203510500	J010.00.01	25
H203510600	J010.00.01	26
H203510800	J010.00.01	52
H203600100	F040.00.01	1
H203602400	F040.00.01	2
H203602501	F040.00.01	3
H203610502	F040.00.01	4
H203610701	F040.00.01	5
H203611501	F040.00.01	6
H203611900	F040.00.01	7
H203612000	F040.00.01	8
H203612201	F040.00.01	9
H203612400	F040.00.01	10
H204000103	B120.00.01	1
H204100102	B120.00.01	2
H204100302	B120.00.01	3
H204100402	B120.00.01	3-2
H204102000	B120.00.01	3-3
H204102000	B120.00.01	4-2
H204102400	B120.00.01	3-4
H204102400	B120.00.01	4-3
H204102600	B120.00.01	3-5
H204102600	B120.00.01	4-4
H204103002	B120.00.01	4
H204103102	B120.00.01	4-5
H204103201	B120.00.01	3-6
H204103201	B120.00.01	4-6

# INDEX

Parça No	Sayfa No	No
Part no	Page No	No
H204103401	B120.00.01	5
H204103501	B120.00.01	6
H204103800	B120.00.01	7
H204200101	E020.00.01	1
H204200301	E020.00.01	1-2
H204200400	E020.00.01	1-3
H204200500	E020.00.01	1-4
H204200601	E020.00.01	2
H204300101	B180.00.01	1
H204304001	B180.00.01	2
H204306501	B180.00.01	3
H204307501	B180.00.01	4
H204309001	B180.00.01	5
H204309301	B180.00.01	6
H204309600	E010.00.01	3
H204309800	B180.00.01	7
H204310000	B180.00.01	8
H204400102	B200.00.01	2
H204402500	B200.00.01	3
H204403400	B200.00.01	4
H204404100	B200.00.01	5
H204405000	B200.00.01	6
H204405101	B200.00.01	7
H204405301	B200.00.01	8
H204405501	B200.00.01	9
H204405800	B200.00.01	10
H204406100	B200.00.01	11
H204406200	B200.00.01	12
H204406602	B200.00.01	13
H204500301	E010.00.01	4
H204500401	E010.00.01	5
H204500501	E010.00.01	6
H204500601	E010.00.01	7
H204501301	E020.00.01	1-1
H204501601	E010.00.01	8
H204501701	E010.00.01	9
H204501800	E030.00.01	1
H204501900	E040.00.01	1
H205000100	D010.00.01	2
H205000400	D010.00.01	7
H205000701	D010.00.01	10
H205000800	D010.00.01	14
H205000800	D030.00.01	7
H205000901	D030.00.01	2
H205001200	D030.00.01	11
H205001300	D050.00.01	1
H205001400	D080.00.01	13
H205001500	D050.00.01	13
H205001500	F100.00.01	2
H205001600	D050.00.01	2
H205002000	D010.00.01	3
H205002100	D010.00.01	16
H205002200	D010.00.01	9
H205002200	D030.00.01	3
H205002200	D030.00.01	8
H205002500	F100.00.01	3
H205003000	D010.00.01	4
H205003000	D030.00.01	4
H205003400	D050.00.01	14
H205003400	F100.00.01	5
H205100002	D020.00.01	1
H205100102	D020.00.01	1-1

Parça No	Sayfa No	No
Part no	Page No	No
H205105000	D020.00.01	1-2
H205105000	D020.01.01	1-2
H205200001	D040.00.01	1
H205200102	D040.00.01	1-1
H205203900	D040.00.01	1-2
H205203900	D040.01.01	1-2
H205203900	D040.02.01	1-4
H205204000	D040.00.01	1-3
H205204000	D040.01.01	1-3
H205204000	D040.02.01	1-6
H205205000	D040.00.01	1-4
H205205000	D040.01.01	1-4
H205205000	D040.02.01	1-2
H205210000	D040.02.01	1
H205210100	D040.02.01	1-1
H205310000	D060.00.01	0
H205310100	D060.00.01	1
H205400100	D050.00.01	4
H205400200	D050.00.01	3
H205400400	D050.00.01	11
H205400501	D050.00.01	11-1
H205401200	D050.00.01	11-3
H205900100	D020.01.01	1
H205900200	D020.01.01	1-1
H205903000	D020.01.01	2
H205903100	D020.01.01	2-1
H205906000	D010.01.01	3
H205906100	D010.01.01	8
H205907000	D020.01.01	2-2
H207000500	Y010.00.01	14
H207000500	Y010.01.01	14
H207000500	Y010.02.01	14
H207000500	Y010.03.01	14
H207000500	Y010.04.01	14
H207005700	Y010.00.01	32
H207005700	Y010.01.01	32
H207005700	Y010.02.01	32
H207005700	Y010.03.01	32
H207005700	Y010.04.01	32
H207030200	D020.01.01	2-11
H207030300	D020.01.01	2-9
H207030400	D020.01.01	2-10
H207042600	Y010.00.01	2
H207042700	Y010.00.01	3
H207042800	Y010.00.01	15
H207042900	Y010.00.01	9
H207042900	Y010.01.01	9
H207042900	Y010.02.01	9
H207042900	Y010.03.01	9
H207042900	Y010.04.01	9
H207043000	Y010.00.01	10
H207043000	Y010.01.01	10
H207043000	Y010.02.01	10
H207043000	Y010.03.01	10
H207043000	Y010.04.01	10
H207043100	Y010.00.01	20
H207043100	Y010.01.01	20
H207043100	Y010.02.01	20
H207043100	Y010.03.01	20
H207043100	Y010.04.01	20
H207043200	Y010.00.01	33
H207043200	Y010.01.01	33

Parça No	Sayfa No	No
Part no	Page No	No
H207043200	Y010.02.01	33
H207043200	Y010.03.01	33
H207043200	Y010.04.01	33
H207045100	Y010.01.01	2
H207045200	Y010.01.01	3
H207045300	Y010.01.01	15
H207047600	Y010.02.01	2
H207047700	Y010.02.01	3
H207047800	Y010.02.01	15
H207050100	Y010.03.01	2
H207050200	Y010.03.01	3
H207050300	Y010.03.01	15
H207052600	Y010.04.01	2
H207052700	Y010.04.01	3
H207052800	Y010.04.01	15
H208000700	K010.00.02	22
H208001000	K010.00.02	36
H208001100	K010.00.02	37
H208001200	K010.00.02	38
H208001401	K010.00.02	29
H208001500	F160.00.01	3
H208010201	K030.00.01	1
H208010302	K020.00.01	1
H208010701	K010.00.02	18
H208010801	K010.00.02	23
H208010900	K010.00.02	17
H208023000	K010.00.01	40
H208023200	K010.00.01	43
H208023300	K010.00.01	44
H209004001	Z040.00.02	1
H209004002	Z050.00.02	30A
H209004003	Z070.00.03	119A
H209004004	Z070.00.05	21A
H209004005	Z030.00.04	29A
H209004007	Z030.00.02	76B
H209004008	Z060.00.04	150C
H209004009	Z040.00.04	62
H209004013	Z040.00.03	28
H209004014	Z060.00.05	16
H209004015	Z020.00.06	114A
H209004016	Z020.00.06	114B
H209004017	Z030.00.04	149
H209004018	Z020.00.01	26
H209004018	Z070.00.01	53
H209004019	Z020.00.08	211A
H209004020	Z020.00.03	15
H209004021	Z020.00.08	211B
H209004021	Z060.00.05	4
H209004022	Z020.00.07	81A
H209004023	Z070.00.01	32
H209004025	Z030.00.02	374
H209004027	Z030.00.01	30
H209004028	Z020.00.03	225A
H209004028	Z070.00.04	16
H209004029	Z030.00.01	295
H209004030	Z020.00.07	81B
H209004031	Z030.00.01	23
H209004033	Z020.00.02	155
H209004034	Z020.00.06	166
H209004035	Z020.00.05	87A
H209004036	Z020.00.05	87B
H209004037	Z070.00.01	55

# INDEX

Parça No	Sayfa No	No
Part no	Page No	No
H209004039	Z020.00.01	2
H209004039	Z020.00.07	80A
H209004039	Z040.00.02	69
H209004042	Z060.00.04	737
H209004043	Z040.00.02	84
H209004044	Z040.00.02	190A
H209004045	Z020.00.07	429
H209004046	Z040.00.02	23
H209004047	Z020.00.06	200
H209004049	Z070.00.01	167
H209004051	Z050.00.02	219
H209004053	Z070.00.03	138
H209004054	Z030.00.05	18
H209004055	Z060.00.04	483C
H209004056	Z060.00.04	483D
H209004059	Z040.00.03	38A
H209004060	Z020.00.08	211C
H209004061	Z020.00.09	21
H209004061A	Z020.00.09	21
H209004062	Z070.00.02	33
H209004063	Z020.00.09	59
H209004063A	Z020.00.09	59
H209004065	Z020.00.02	7B
H209004065	Z020.00.04	23A
H209004066	Z020.00.02	7C
H209004067	Z020.00.04	23B
H209004068	Z020.00.04	21B
H209004069	Z020.00.04	21C
H209004069	Z020.00.04	23C
H209004070	Z050.00.03	315A
H209004078	Z020.00.10	1
H209004079	Z020.00.10	1
H209004080	Z020.00.10	1
H209004081	Z020.00.11	2
H209004082	Z020.00.11	2
H209004083	Z020.00.11	2
H209004085	Z060.00.05	796
H209004086	Z020.00.03	267
H209004086	Z040.00.02	193
H209004087	Z030.00.05	90
H209004088	Z020.00.01	5
H209004089	Z020.00.03	268
H209004089	Z040.00.02	17
H209004089	Z040.00.02	147
H209004089	Z070.00.05	118A
H209004090	Z020.00.01	4
H209004091	Z020.00.09	38
H209004092	Z020.00.04	448
H209004093	Z020.00.09	48
H209004094	Z020.00.02	4
H209004095	Z020.00.05	65
H209004096	Z020.00.04	51
H209004097	Z020.00.03	91
H209004098	Z070.00.03	118B
H209004099	Z070.00.03	163
H209004100	Z040.00.03	71
H209004101	Z050.00.03	279A
H209004102	Z020.00.09	40
H209004103	Z020.00.04	8
H209004104	Z070.00.03	412
H209004105	Z070.00.03	2
H209004106	Z030.00.04	2A

Parça No	Sayfa No	No
Part no	Page No	No
H209004107	Z020.00.04	13
H209004108	Z020.00.09	126
H209004109	Z070.00.03	120
H209004110	Z030.00.02	465A
H209004111	Z020.00.07	175
H209004112	Z020.00.07	64
H209004113	Z030.00.04	29B
H209004114	Z070.00.04	2C
H209004115	Z020.00.05	71A
H209004116A	Z040.00.03	1
H209004117	Z070.00.03	11
H209004117	Z070.00.03	18
H209004118	Z060.00.05	293
H209004119	Z050.00.02	68
H209004120	Z050.00.02	9
H209004121	Z060.00.05	611
H209004122	Z020.00.08	487
H209004123	Z030.00.04	495
H209004124	Z040.00.04	406
H209004125	Z040.00.03	81
H209004126	Z070.00.05	117A
H209004127	Z020.00.03	14A
H209004128	Z020.00.02	5A
H209004129	Z020.00.02	5B
H209004130	Z020.00.04	399
H209004130	Z060.00.05	327
H209004131	Z030.00.04	414B
H209004132	Z040.00.01	3
H209004133	Z020.00.07	32
H209004134	Z020.00.06	107A
H209004135	Z020.00.06	107B
H209004136	Z020.00.06	349
H209004137	Z020.00.06	347
H209004138	Z020.00.06	133
H209004139	Z020.00.06	348
H209004140	Z050.00.02	122
H209004141	Z040.00.02	15
H209004142	Z020.00.05	72
H209004143	Z020.00.07	620
H209004144	Z020.00.02	2
H209004144A	Z020.00.02	2
H209004145	Z020.00.02	2
H209004145A	Z020.00.02	2
H209004146	Z020.00.02	2
H209004146A	Z020.00.02	2
H209004147	Z020.00.02	39
H209004148	Z020.00.07	620
H209004149	Z020.00.07	620
H209004150	Z020.00.07	103
H209004150A	Z020.00.07	103
H209004151	Z050.00.02	30B
H209004152	Z020.00.07	51
H209004153	Z020.00.07	50A
H209004154	Z020.00.03	262
H209004156	Z020.00.06	199
H209004157	Z030.00.03	140
H209004158	Z070.00.04	17A
H209004159	Z020.00.09	73
H209004160	Z020.00.07	50B
H209004161	Z050.00.02	30C
H209004162	Z020.00.05	53A
H209004163	Z020.00.05	53B

Parça No	Sayfa No	No
Part no	Page No	No
H209004164	Z020.00.01	168
H209004165	Z020.00.01	166
H209004166	Z020.00.03	123
H209004166	Z030.00.04	150
H209004167	Z020.00.03	232A
H209004168	Z020.00.07	63
H209004169	Z020.00.04	400
H209004169	Z060.00.05	766
H209004170	Z020.00.07	99A
H209004171	Z020.00.07	99B
H209004172	Z020.00.07	79
H209004173	Z020.00.07	123
H209004174	Z050.00.02	313
H209004175	Z020.00.01	39
H209004176	Z020.00.03	232B
H209004177	Z050.00.03	279B
H209004178	Z070.00.02	17
H209004178	Z070.00.03	408
H209004179	Z020.00.07	172
H209004180	Z020.00.06	112A
H209004180A	Z020.00.06	112A
H209004181	Z020.00.06	112B
H209004182	Z020.00.01	29
H209004182A	Z020.00.01	29
H209004183	Z050.00.02	408
H209004184	Z070.00.02	18
H209004185	Z020.00.09	85
H209004186	Z020.00.09	28
H209004186A	Z020.00.09	28
H209004187	Z020.00.09	10
H209004188	Z020.00.09	10
H209004189	Z020.00.09	10
H209004190	Z020.00.09	10
H209004191	Z020.00.09	10
H209004192	Z020.00.09	1
H209004192A	Z020.00.09	1
H209004193	Z050.00.02	210
H209004194	Z020.00.09	84
H209004195	Z020.00.06	172
H209004196	Z020.00.06	185
H209004197	Z020.00.06	198
H209004198	Z020.00.06	300
H209004199	Z020.00.07	1
H209004200	Z020.00.07	49
H209004201	Z020.00.05	2
H209004202	Z020.00.05	3
H209004204	Z020.00.03	225B
H209004205	Z040.00.02	190B
H209004206	Z050.00.02	31
H209004207	Z050.00.02	16
H209004208	Z050.00.02	18
H209004209	Z050.00.02	19
H209004210	Z050.00.02	211
H209004211	Z050.00.02	282
H209004212	Z020.00.07	54
H209004212A	Z020.00.07	54
H209004214	Z020.00.02	11
H209004215	Z030.00.01	27
H209004215A	Z030.00.01	27
H209004216	Z020.00.09	83
H209004217	Z020.00.02	172
H209004218	Z020.00.06	252A

# INDEX

Parça No	Sayfa No	No
Part no	Page No	No
H209004219	Z020.00.06	252B
H209004220	Z020.00.05	4
H209004221	Z020.00.05	5
H209004222	Z040.00.02	1
H209004223	Z020.00.03	225C
H209004224	Z020.00.05	71B
H209004225	Z020.00.06	329
H209004226	Z070.00.04	17B
H209004227	Z020.00.04	52
H209004228	Z030.00.01	17
H209004228A	Z030.00.01	17
H209004229	Z030.00.03	139
H209004230	Z030.00.04	57
H209004231	Z030.00.04	63
H209004232	Z030.00.01	8
H209004233	Z030.00.02	564
H209004234	Z040.00.04	104A
H209004235	Z040.00.04	104B
H209004236	Z040.00.04	561B
H209004237	Z040.00.02	49
H209004238	Z070.00.03	115A
H209004239	Z070.00.03	115B
H209004240	Z070.00.03	137
H209004241	Z070.00.05	485A
H209004242	Z070.00.05	485B
H209004243	Z070.00.03	119B
H209004244	Z070.00.03	231
H209004245	Z070.00.05	488C
H209004246	Z070.00.02	1
H209004248	Z070.00.03	16
H209004250	Z020.00.03	168
H209004251	Z020.00.05	78A
H209004252	Z020.00.05	53C
H209004253	Z020.00.05	53D
H209004254	Z020.00.05	56A
H209004256	Z030.00.04	58
H209004257	Z030.00.04	147
H209004258	Z020.00.05	78B
H209004259	Z020.00.05	81
H209004260	Z060.00.03	13
H209004261	Z050.00.02	137A
H209004262	Z020.00.01	119
H209004263	Z020.00.09	204
H209004264	Z030.00.01	1
H209004264A	Z030.00.01	1
H209004265	Z040.00.04	562
H209004266	Z040.00.04	561C
H209004267	Z040.00.02	119
H209004268	Z050.00.02	137B
H209004269	Z050.00.03	315B
H209004270	Z070.00.01	138
H209004273	Z040.00.03	80
H209004274	Z020.00.09	18
H209004274A	Z020.00.09	18
H209004276	Z040.00.04	536
H209004277	Z030.00.02	465B
H209004279	Z040.00.03	36
H209004280	Z030.00.01	2
H209004281	Z040.00.03	112
H209004282	Z020.00.05	68
H209004283	Z040.00.03	38B
H209004284	Z050.00.03	348A

Parça No	Sayfa No	No
Part no	Page No	No
H209004285	Z020.00.09	42
H209004286	Z070.00.05	488B
H209004287	Z050.00.02	216A
H209004288	Z050.00.02	17
H209004289	Z020.00.08	2
H209004290	Z020.00.09	12
H209004291	Z060.00.01	0
H209004291	Z060.00.05	1
H209004292	Z020.00.01	6
H209004293A	Z040.00.01	1
H209004294	Z020.00.03	14B
H209004295	Z020.00.09	86
H209004297	Z050.00.03	348B
H209004298	Z020.00.03	12
H209004299	Z020.00.01	1
H209004300	Z020.00.02	10
H209004301	Z040.00.02	295
H209004302	Z030.00.05	19
H209004303	Z020.00.09	68
H209004304	Z070.00.01	7
H209004304A	Z070.00.01	7
H209004305	Z070.00.04	718
H209004307	Z050.00.03	425
H209004309	Z060.00.02	0
H209004309	Z060.00.05	2
H209004310	Z050.00.02	59
H209004311	Z070.00.04	4
H209004312	Z070.00.01	10
H209004313	Z020.00.04	352
H209004315	Z020.00.05	56B
H209004316	Z040.00.02	66
H209004317	Z060.00.06	613
H209004319	Z030.00.03	1
H209004320	Z050.00.02	424
H209004321	Z020.00.05	66
H209004322	Z030.00.02	323
H209004323	Z060.00.05	129
H209004324	Z050.00.02	137C
H209004325	Z050.00.02	137D
H209004327	Z020.00.09	172
H209004328	Z050.00.02	347
H209004329	Z040.00.04	104B
H209004330	Z050.00.01	397
H209004331A	Z020.00.02	1
H209004331B	Z020.00.02	1
H209004332	Z070.00.01	1
H209004332A	Z070.00.01	1
H209004333	Z040.00.01	97
H209004335	Z050.00.02	66
H209004336	Z070.00.04	1
H209004336A	Z070.00.04	1
H209004337	Z070.00.03	1
H209004339	Z020.00.07	428
H209004340	Z020.00.09	63
H209004341	Z020.00.09	63
H209004342	Z020.00.09	63
H209004343	Z020.00.06	162
H209004344	Z020.00.02	3
H209004345	Z020.00.01	90
H209004348	Z070.00.02	2
H209004350	Z020.00.04	1
H209004351	Z020.00.01	167

Parça No	Sayfa No	No
Part no	Page No	No
H209004352	Z020.00.01	1
H209004354	Z020.00.04	1
H209004355	Z020.00.04	83
H209004356	Z020.00.09	87
H209004356	Z020.00.09	203
H209004357	Z050.00.02	329
H209004358	Z050.00.02	166
H209004359	Z030.00.02	9
H209004360	Z030.00.02	303A
H209004361	Z030.00.02	303B
H209004362	Z020.00.04	218
H209004363	Z020.00.04	53
H209004364	Z020.00.04	7
H209004365	Z020.00.04	61
H209004366	Z030.00.04	2B
H209004367	Z070.00.03	117B
H209004368	Z020.00.09	35
H209004369	Z030.00.02	29
H209004370	Z050.00.02	216B
H209004380	Z060.00.01	16
H209004381	Z060.00.01	17A
H209004382	Z060.00.01	17B
H209004383	Z060.00.01	13
H209004385	Z060.00.01	23
H209004386	Z060.00.01	22
H209004387	Z060.00.01	21
H209004388	Z060.00.01	7
H209004389	Z060.00.01	54
H209004390	Z060.00.01	9A
H209004391	Z060.00.01	9B
H209004392	Z060.00.01	10
H209004393	Z060.00.01	73
H209004394	Z060.00.01	9C
H209004395	Z060.00.01	45
H209004396	Z060.00.01	31
H209004398	Z060.00.01	2
H209004399	Z060.00.01	28
H209004400	Z060.00.01	51
H209004401	Z060.00.01	85
H209004402	Z060.00.01	27
H209004404	Z060.00.02	17
H209004405	Z060.00.02	15
H209004406	Z060.00.02	19
H209004407	Z060.00.02	1
H209004409	Z060.00.02	39
H209004412	Z020.00.01	65
H209004413	Z040.00.03	66
H209004414	Z020.00.06	275
H209004415	Z050.00.02	283B
H209004416	Z020.00.01	69
H209010001	G010.00.04	0
H209010002	G010.00.05	0
H209010003	G010.00.06	0
H209010004	G010.00.01	K7
H209010005	G010.00.01	K8
H209010006	G010.00.01	K2
H209010007	G010.00.01	123
H209010008	G010.00.01	156
H209010009	G010.00.01	K5
H209010011	G010.00.01	111
H209010012	G010.00.01	113
H209010013	G010.00.01	116

# INDEX

Parça No	Sayfa No	No
Part no	Page No	No
H209010014	G010.00.01	124
H209010015	G010.00.01	127
H209010016	G010.00.01	141
H209010017	G010.00.01	153
H209010018	G010.00.01	157
H209010019	G010.00.01	211
H209010020	G010.00.01	261
H209010021	G010.00.01	271
H209010022	G010.00.01	312
H209010023	G010.00.01	401
H209010027	G010.00.01	534
H209010028	G010.00.01	535
H209010030	G010.00.01	K1
H209010031	G010.00.01	11
H209010034	G010.00.01	212
H209010035	G010.00.01	214
H209010036	G010.00.01	251
H209010039	G010.00.01	406
H209010040	G010.00.01	467
H209010041	G010.00.01	468
H209010042	G010.00.01	531
H209010043	G010.00.01	532
H209010045	G010.00.01	702
H209010046	G010.00.01	710
H209010046	G010.00.02	710
H209010047	G010.00.01	717
H209010048	G010.00.01	719
H209010053	G010.00.01	789
H209010054	G010.00.01	792
H209010055	G010.00.01	824
H209010080	G010.00.02	361
H209010081	G010.00.02	435
H209010090	G010.00.05	405
H209010091	G010.00.04	611
H209010091	G010.00.05	611
H209010092	G010.00.04	627
H209010092	G010.00.05	627
H209010093	G010.00.04	622
H209010093	G010.00.05	622
H209010094	G010.00.04	625
H209010094	G010.00.05	625
H209010095	G010.00.04	626
H209010095	G010.00.05	626
H209010096	G010.00.01	K9
H209010100	G010.00.05	753
H209010101	G010.00.04	898
H209010101	G010.00.05	898
H209011001	G010.00.06	3
H209011002	G010.00.06	5
H209011003	G010.00.06	7
H209011004	G010.00.06	8
H209011005	G010.00.06	9
H209011006	G010.00.06	10
H209011007	G010.00.06	16
H209011008	G010.00.06	17
H209015010	G020.00.03	1
H209015011	G020.00.03	4
H209015012	G020.00.03	19
H209015013	G020.00.03	21
H209015014	G020.00.03	23
H209015015	G020.00.03	24
H209015016	G020.00.03	25

Parça No	Sayfa No	No
Part no	Page No	No
H209015017	G020.00.03	26
H209015018	G020.00.03	27
H209015019	G020.00.01	28
H209015019	G020.00.03	28
H209015020	G020.00.01	29
H209015020	G020.00.03	29
H209015021	G020.00.03	32
H209015022	G020.00.02	33
H209015022	G020.00.03	33
H209015023	G020.00.02	34
H209015023	G020.00.03	34
H209015024	G020.00.03	35
H209015025	G020.00.03	36
H209015026	G020.00.03	37
H209015027	G020.00.01	38
H209015027	G020.00.03	38
H209015028	G020.00.01	39
H209015028	G020.00.03	39
H209015029	G020.00.03	40
H209015030	G020.00.03	41
H209015031	G020.00.03	42
H209015032	G020.00.02	44
H209015032	G020.00.03	44
H209015033	G020.00.02	46
H209015033	G020.00.03	46
H209015034	G020.00.03	48
H209015035	G020.00.03	50
H209015036	G020.00.03	51
H209015037	G020.00.03	52
H209015038	G020.00.03	53
H209015039	G020.00.03	54
H209015040	G020.00.03	56
H209015041	G020.00.02	57
H209015041	G020.00.03	57
H209015042	G020.00.02	58
H209015042	G020.00.03	58
H209015043	G020.00.02	59
H209015043	G020.00.03	59
H209015044	G020.00.02	60
H209015044	G020.00.03	60
H209015045	G020.00.02	61
H209015045	G020.00.03	61
H209015046	G020.00.02	62
H209015046	G020.00.03	62
H209015047	G020.00.02	63
H209015047	G020.00.03	63
H209015048	G020.00.02	64
H209015048	G020.00.03	64
H209015049	G020.00.02	65
H209015049	G020.00.03	65
H209015050	G020.00.02	66
H209015050	G020.00.03	66
H209015051	G020.00.03	67
H209015052	G020.00.01	70
H209015053	G020.00.03	71
H209015054	G020.00.03	72
H209015055	G020.00.03	73
H209015056	G020.00.03	74
H209015057	G020.00.01	75
H209015058	G020.00.01	76
H209015059	G020.00.01	77
H209015060	G020.00.01	78

Parça No	Sayfa No	No
Part no	Page No	No
H209015061	G020.00.01	79
H209015062	G020.00.01	80
H209015063	G020.00.01	81
H209015064	G020.00.01	82
H209015065	G020.00.01	83
H209015066	G020.00.01	84
H209015067	G020.00.01	85
H209015068	G020.00.01	86
H209015069	G020.00.01	91
H209015070	G020.00.01	94
H209015071	G020.00.01	95
H209015072	G020.00.01	96
H209015073	G020.00.01	97
H209015074	G020.00.01	100
H209015075	G020.00.01	102
H209015076	G020.00.01	104
H209015077	G020.00.01	105
H209015078	G020.00.01	106
H209015079	G020.00.01	107
H209015080	G020.00.01	108
H209015081	G020.00.01	111
H209015082	G020.00.01	112
H209015083	G020.00.01	114
H209015084	G020.00.01	115
H209015085	G020.00.01	116
H209015086	G020.00.01	117
H209015087	G020.00.02	118
H209015088	G020.00.02	122
H209015089	G020.00.02	123
H209015090	G020.00.02	124
H209015091	G020.00.02	125
H209015092	G020.00.02	126
H209015093	G020.00.02	127
H209015094	G020.00.02	128
H209015095	G020.00.02	129
H209015096	G020.00.02	130
H209015097	G020.00.02	131
H209015098	G020.00.02	132
H209015099	G020.00.02	133
H209015100	G020.00.01	99
H209021001	G030.00.01	37
H209021002	G030.00.01	2
H209021003	G030.00.01	3
H209021004	G030.00.01	4
H209021005	G030.00.01	10
H209021006	G030.00.01	17
H209021007	G030.00.01	18
H209021008	G030.00.01	19
H209021009	G030.00.01	20
H209021010	G030.00.01	24
H209021011	G030.00.01	34
H209021012	G030.00.01	1
H209021013	G030.00.01	5
H209021014	G030.00.01	6
H209021015	G030.00.01	7
H209021016	G030.00.01	8
H209021017	G030.00.01	9
H209021018	G030.00.01	11
H209021019	G030.00.01	12
H209021020	G030.00.01	13
H209021021	G030.00.01	14
H209021022	G030.00.01	15

# INDEX

Parça No	Sayfa No	No
Part no	Page No	No
H209021023	G030.00.01	16
H209021026	G030.00.01	21
H209021027	G030.00.01	22
H209021028	G030.00.01	23
H209021029	G030.00.01	25
H209021030	G030.00.01	26
H209021031	G030.00.01	27
H209021032	G030.00.01	28
H209021033	G030.00.01	29
H209021034	G030.00.01	30
H209021035	G030.00.01	31
H209021036	G030.00.01	32
H209021037	G030.00.01	33
H209021038	G030.00.01	35
H209021039	G030.00.01	36
H209021040	G030.00.01	38
H209021041	G030.00.01	39
H209021042	G030.00.01	40
H209021044	G030.00.01	41
H209021054	G040.00.01	1
H209021055	G040.00.01	2
H209021056A	G040.00.01	3
H209021057A	G040.00.01	4
H209021058A	G040.00.01	5
H209021059A	G040.00.01	6
H209021060A	G040.00.01	7
H209021061	G040.00.01	8
H209021062A	G040.00.01	9
H209021063	G040.00.01	10
H209021064	G040.00.01	11
H209021065	G040.00.01	12
H209021066	G040.00.01	13
H209021067	G040.00.01	14
H209021068	G040.00.01	15
H209021069	G040.00.01	16
H209021070	G040.00.01	17
H209021071	G040.00.01	18
H209021072	G040.00.01	19
H209021073	G040.00.01	20
H209021074	G040.00.01	21
H209021075	G040.00.01	22
H209021076	G040.00.01	23
H209021077	G040.00.01	24
H209021078	G040.00.01	25
H209021079	G040.00.01	26
H209021080	G040.00.01	27
H209021081	G040.00.01	28
H209021082	G040.00.01	29
H209025001	E050.00.02	010/060
H209025002	E050.00.02	070
H209025003	E050.00.02	140
H209025004	E050.00.02	150
H209025005	E050.00.02	170
H209025020	E050.00.06	170
H209028001	G050.00.01	1
H209028002	G050.00.01	1-2
H209028003	G050.00.01	1-10
H209028004	G050.00.01	1-11
H209028005	G050.00.01	1-1-1
H209028006	G050.00.01	1-1-2
H209028007	G050.00.01	1-1-3
H209028008	G050.00.01	1-1-4

Parça No	Sayfa No	No
Part no	Page No	No
H209028009	G050.00.01	1-1-11
H209028010	G050.00.01	1-1-12
H209028013	G050.00.02	4
H209028014	G050.00.02	7
H209028015	G050.00.02	8
H209028016	G050.00.03	1
H209028017	G050.00.03	3
H209028020	G050.00.01	A
H209028021	G050.00.01	A-1
H209028022	G050.00.01	A-2
H209028023	G050.00.01	2
H209028024	G050.00.01	5
H209028025	G050.00.01	12
H209028027	G050.00.01	1-1
H209028028	G050.00.01	1-3
H209028029	G050.00.01	1-6
H209028030	G050.00.01	1-6
H209028031	G050.00.01	1-6
H209028032	G050.00.01	1-6
H209028033	G050.00.01	1-6
H209028034	G050.00.01	1-6
H209028035	G050.00.01	1-6
H209028036	G050.00.01	1-6
H209028037	G050.00.01	1-6
H209028038	G050.00.01	1-7
H209028039	G050.00.01	1-1-6
H209028040	G050.00.01	1-1-6
H209028041	G050.00.01	1-1-6
H209028042	G050.00.01	1-1-6
H209028043	G050.00.01	1-1-6
H209028044	G050.00.01	1-1-6
H209028045	G050.00.01	1-1-7
H209028046	G050.00.02	2
H209028047	G050.00.02	2-1
H209028048	G050.00.02	2-2
H209028049	G050.00.02	2-7
H209028050	G050.00.02	2-8
H209028050	G050.00.03	24
H209028051	G050.00.02	3
H209028052	G050.00.02	5
H209028053	G050.00.02	15
H209028054	G050.00.02	16
H209028055	G050.00.02	23
H209028056	G050.00.02	26
H209028057	G050.00.03	1-1
H209028058	G050.00.03	1-2
H209028059	G050.00.03	1-3
H209028060	G050.00.03	1-4
H209028061	G050.00.03	1-5
H209028062	G050.00.03	1-6
H209028063	G050.00.03	1-11
H209028064	G050.00.03	3-1
H209028065	G050.00.03	3-5
H209028066	G050.00.03	3-6
H209028067	G050.00.03	3-11
H209028068	G050.00.03	3-12
H209028069	G050.00.03	6
H209028070	G050.00.03	10
H209028071	G050.00.03	11
H209028072	G050.00.03	21
H209028073	G050.00.03	23
H209028098	G050.00.03	K

Parça No	Sayfa No	No
Part no	Page No	No
H209031005	B120.00.01	2-1
H209031006	B120.00.01	2-2
H209031007A	B120.00.01	2-3
H209032001A	E030.00.02	010
H209032001A	E040.00.02	010
H209032002A	E030.00.02	020
H209032002A	E040.00.02	020
H209032003	E030.00.02	050
H209032003	E040.00.02	050
H209032004	E030.00.02	050
H209032004	E040.00.02	050
H209032005	E030.00.02	050
H209032005	E040.00.02	050
H209032006	E030.00.02	050
H209032006	E040.00.02	050
H209032007	E030.00.02	050
H209032007	E040.00.02	050
H209032008	E030.00.02	050
H209032008	E040.00.02	050
H209032009	E030.00.02	050
H209032009	E040.00.02	050
H209032010	E030.00.02	050
H209032010	E040.00.02	050
H209032011	E030.00.02	050
H209032011	E040.00.02	050
H209032012	E030.00.02	050
H209032012	E040.00.02	050
H209032013	E030.00.02	050
H209032013	E040.00.02	050
H209032014	E030.00.02	050
H209032014	E040.00.02	050
H209032015	E030.00.02	050
H209032015	E040.00.02	050
H209032016	E030.00.02	050
H209032016	E040.00.02	050
H209032017	E030.00.02	050
H209032017	E040.00.02	050
H209032018	E030.00.02	050
H209032018	E040.00.02	050
H209032019	E030.00.02	050
H209032019	E040.00.02	050
H209032020	E030.00.02	050
H209032020	E040.00.02	050
H209032021	E030.00.02	050
H209032021	E040.00.02	050
H209032022	E030.00.02	050
H209032022	E040.00.02	050
H209032023	E030.00.02	050
H209032023	E040.00.02	050
H209032024	E030.00.02	050
H209032024	E040.00.02	050
H209032025	E030.00.02	050
H209032025	E040.00.02	050
H209032026	E030.00.02	050
H209032026	E040.00.02	050
H209032027	E030.00.02	050
H209032027	E040.00.02	050
H209032028	E030.00.02	050
H209032028	E040.00.02	050
H209032029	E030.00.02	050
H209032029	E040.00.02	050
H209032030	E030.00.02	050



# INDEX

Parça No	Sayfa No	No
Part no	Page No	No
H209032128	E040.00.04	050
H209032129	E030.00.04	050
H209032129	E040.00.04	050
H209032130	E030.00.04	050
H209032130	E040.00.04	050
H209032131	E030.00.04	050
H209032131	E040.00.04	050
H209032132	E030.00.04	050
H209032132	E040.00.04	050
H209032133	E030.00.04	050
H209032133	E040.00.04	050
H209032134	E030.00.04	050
H209032134	E040.00.04	050
H209032135	E030.00.04	050
H209032135	E040.00.04	050
H209032136	E030.00.04	050
H209032136	E040.00.04	050
H209032137	E030.00.04	050
H209032137	E040.00.04	050
H209032138A	E030.00.04	100
H209032138A	E040.00.04	100
H209032139	E030.00.04	120
H209032139	E040.00.04	120
H209032140	E030.00.04	130
H209032140	E040.00.04	130
H209032143	E030.00.04	240/020
H209032143	E030.00.04	250/020
H209032143	E030.00.08	500/020
H209032143	E040.00.04	240/020
H209032143	E040.00.04	250/020
H209032143	E040.00.07	500/020
H209032146A	E030.00.05	010
H209032147	E030.00.05	030
H209032148A	E030.00.05	340
H209032148A	E030.00.06	150
H209032149A	E030.00.05	350
H209032149A	E030.00.06	160
H209032150A	E030.00.05	390
H209032151A	E030.00.05	450
H209032152A	E030.00.05	450/010
H209032153A	E030.00.05	450/020
H209032154A	E030.00.05	450/030
H209032155A	E030.00.05	450/040
H209032156	E030.00.05	550
H209032157	E030.00.05	550/010
H209032158A	E030.00.05	550/020
H209032158A	E030.00.05	560/020
H209032159	E030.00.05	550/030
H209032159	E030.00.05	560/030
H209032160	E030.00.05	560
H209032161	E030.00.05	560/010
H209032163	E030.00.05	570
H209032164A	E030.00.06	010
H209032165A	E030.00.06	010/020
H209032165A	E030.00.06	020/020
H209032165A	E040.00.06	010/020
H209032166A	E030.00.06	020
H209032167A	E030.00.06	050
H209032168A	E030.00.06	080
H209032171	E030.00.06	118
H209032172A	E030.00.06	120
H209032174A	E030.00.06	130

Parça No	Sayfa No	No
Part no	Page No	No
H209032175A	E030.00.06	180
H209032176A	E030.00.06	190
H209032177A	E030.00.06	200
H209032179	E030.00.06	430
H209032179	E040.00.06	050
H209032182	E030.00.06	480
H209032183	E030.00.06	480
H209032190	E030.00.06	480
H209032191	E030.00.06	480
H209032192	E030.00.06	480
H209032193	E030.00.06	480
H209032194	E030.00.06	480
H209032195	E030.00.06	480
H209032196	E030.00.06	480
H209032197	E030.00.06	500
H209032198	E030.00.06	510
H209032199A	E030.00.07	010
H209032200	E030.00.07	010/010
H209032201A	E030.00.07	010/020
H209032202	E030.00.07	010/030
H209032203	E030.00.07	010/040
H209032204	E030.00.07	010/050
H209032205	E030.00.07	010/060
H209032207	E030.00.07	030
H209032209A	E030.00.08	030
H209032209A	E040.00.07	030
H209032211A	E030.00.08	080
H209032211A	E040.00.07	080
H209032212	E030.00.08	090
H209032212	E040.00.07	090
H209032213A	E030.00.08	120
H209032213A	E040.00.07	120
H209032214A	E030.00.08	130
H209032214A	E040.00.07	130
H209032215A	E030.00.08	135
H209032215A	E040.00.07	135
H209032216A	E030.00.08	160
H209032216A	E040.00.07	160
H209032217A	E030.00.08	200
H209032217A	E040.00.07	200
H209032218A	E030.00.08	205
H209032218A	E040.00.07	205
H209032219A	E030.00.08	210
H209032219A	E040.00.07	210
H209032220A	E030.00.08	214
H209032220A	E040.00.07	214
H209032221A	E030.00.08	230
H209032221A	E040.00.07	230
H209032222A	E030.00.08	232
H209032222A	E040.00.07	232
H209032223	E030.00.08	238
H209032223	E040.00.07	238
H209032224	E030.00.08	239
H209032224	E040.00.07	239
H209032225	E030.00.08	256
H209032225	E040.00.07	256
H209032226	E030.00.08	258
H209032226	E040.00.07	258
H209032227A	E030.00.08	270
H209032227A	E040.00.07	270
H209032235A	E030.00.08	390/010
H209032235A	E040.00.07	390/010

Parça No	Sayfa No	No
Part no	Page No	No
H209032236A	E030.00.08	390/020
H209032236A	E040.00.07	390/020
H209032238A	E030.00.08	390/050
H209032238A	E040.00.07	390/050
H209032240	E030.00.08	510
H209032240	E040.00.07	510
H209032242A	E030.00.08	540
H209032242A	E040.00.07	540
H209032244A	E040.00.05	010
H209032245A	E040.00.05	020
H209032246	E040.00.05	030
H209032247A	E040.00.06	010
H209032249	E040.00.06	070
H209032250	E040.00.06	090
H209032251A	E040.00.06	100
H209032260	E030.00.02	0
H209032260	E040.00.02	0
H209032261	E030.00.02	K1
H209032261	E040.00.02	K1
H209032262A	E030.00.03	0
H209032262A	E040.00.03	0
H209032263	E030.00.04	0
H209032263	E040.00.04	0
H209032264A	E030.00.05	0
H209032265A	E030.00.06	0
H209032266	E030.00.06	K2
H209032267	E030.00.07	0
H209032268A	E030.00.08	0
H209032268A	E040.00.07	0
H209032269	E030.00.08	K3
H209032269	E040.00.07	K3
H209032271A	E040.00.05	0
H209032272A	E040.00.06	0
H209032273	E030.00.04	240
H209032273	E030.00.08	500
H209032273	E040.00.04	240
H209032273	E040.00.07	500
H209032274	E030.00.04	250
H209032274	E040.00.04	250
H209032275	E030.00.06	010
H209032276	E030.00.06	020
H209032277	E030.00.06	090
H209032278	E030.00.06	114
H209032279	E030.00.06	117
H209032281	E030.00.06	480
H209032282	E030.00.06	480
H209032283	E030.00.06	480
H209032284	E030.00.06	480
H209032285	E030.00.06	480
H209032286	E030.00.06	480
H209032287	E030.00.06	480
H209032288	E030.00.06	480
H209032289	E030.00.06	480
H209032290	E030.00.06	480
H209032291	E030.00.06	480
H209032292	E030.00.06	480
H209032293	E030.00.06	480
H209032294	E030.00.06	480
H209032295	E030.00.06	480
H209032296	E030.00.06	480
H209032297	E030.00.07	010/070
H209032298	E030.00.08	010



# INDEX

Parça No	Sayfa No	No
Part no	Page No	No
H209032298	E040.00.07	010
H209032299	E030.00.08	060
H209032299	E040.00.07	060
H209032300	E030.00.08	275
H209032300	E030.00.08	280
H209032300	E040.00.07	275
H209032300	E040.00.07	280
H209032301	E030.00.08	280
H209032301	E040.00.07	280
H209032302	E030.00.08	280
H209032302	E040.00.07	280
H209032304	E030.00.08	390
H209032304	E040.00.07	390
H209032305	E030.00.08	390/020
H209032305	E040.00.07	390/020
H209032306	E030.00.08	390/060
H209032306	E040.00.07	390/060
H209032308	E040.00.06	010
H209038001	G200.00.01	1
H209038002	G200.00.01	2
H209038002	G200.00.01	4
H209038003	G200.00.01	3
H209038004	G200.00.01	5
H209038005	G200.00.01	6
H209038006	G200.00.01	7
H209038007	G200.00.01	8
H209038008	G200.00.01	9
H209038009	G200.00.01	10
H209038010	G190.00.01	7
H209038010	G200.00.01	11
H209038011	G200.00.01	12
H209038012	G200.00.01	13
H209038013	G200.00.01	14
H209038014	G200.00.01	15
H209038015	G200.00.01	16
H209038016	G200.00.01	17
H209038017	G200.00.01	18
H209038018	G200.00.01	19
H209038019	G200.00.01	20
H209038020	G200.00.01	21
H209038021	G200.00.01	22
H209038022	G190.00.01	23
H209038022	G200.00.01	23
H209038023	G200.00.01	24
H209038024	G200.00.01	25
H209038025	G200.00.01	26
H209038026	G180.00.01	27
H209038026	G180.00.01	31
H209038026	G180.00.01	33
H209038026	G180.00.01	37
H209038026	G180.00.01	39
H209038026	G180.00.02	27
H209038026	G180.00.02	31
H209038026	G180.00.02	33
H209038026	G180.00.02	37
H209038026	G180.00.02	39
H209038026	G190.00.01	33
H209038026	G190.00.01	37
H209038026	G200.00.01	27
H209038026	G200.00.01	38
H209038027	G180.00.01	28
H209038027	G180.00.01	34

Parça No	Sayfa No	No
Part no	Page No	No
H209038027	G180.00.01	40
H209038027	G180.00.02	28
H209038027	G180.00.02	34
H209038027	G180.00.02	40
H209038027	G200.00.01	28
H209038028	G200.00.01	29
H209038029	G200.00.01	30
H209038030	G200.00.01	31
H209038030	G200.00.01	35
H209038031	G200.00.01	32
H209038031	G200.00.01	36
H209038032	G200.00.01	33
H209038033	G200.00.01	34
H209038034	G200.00.01	37
H209038035	G200.00.01	39
H209038036	G180.00.01	41
H209038036	G180.00.02	41
H209038036	G180.01.01	43
H209038036	G180.01.02	43
H209038036	G180.01.03	40
H209038036	G190.00.01	43
H209038036	G200.00.01	40
H209038037	G180.00.01	43
H209038037	G180.00.02	43
H209038037	G180.01.01	45
H209038037	G180.01.02	45
H209038037	G190.00.01	44
H209038037	G200.00.01	41
H209038038	G200.00.01	K
H209038039	G180.00.01	1
H209038039	G180.00.02	1
H209038040	G180.00.01	2
H209038040	G180.00.01	4
H209038040	G180.00.02	2
H209038040	G180.00.02	4
H209038040	G180.01.01	2
H209038040	G180.01.02	2
H209038041	G180.00.01	3
H209038041	G180.00.02	3
H209038042	G180.00.01	5
H209038042	G180.00.02	5
H209038043	G180.00.01	6
H209038043	G180.00.02	6
H209038043	G180.01.01	6
H209038043	G180.01.02	6
H209038044	G180.00.01	7
H209038044	G180.00.02	7
H209038045	G180.00.01	8
H209038045	G180.00.02	8
H209038045	G180.01.01	8
H209038045	G180.01.02	8
H209038046	G180.00.01	9
H209038046	G180.00.02	9
H209038046	G180.01.01	9
H209038046	G180.01.02	9
H209038047	G180.00.01	10
H209038047	G180.00.02	10
H209038047	G180.01.01	10
H209038047	G180.01.02	10
H209038048	G180.00.01	11
H209038048	G180.00.02	11
H209038049	G180.00.01	12

Parça No	Sayfa No	No
Part no	Page No	No
H209038049	G180.00.02	12
H209038050	G180.00.01	13
H209038050	G180.00.02	13
H209038050	G180.01.01	13
H209038050	G180.01.02	13
H209038051	G180.00.01	14
H209038051	G180.00.02	14
H209038051	G190.00.01	12
H209038052	G180.00.01	15
H209038052	G180.00.02	15
H209038052	G180.01.01	15
H209038052	G180.01.02	15
H209038053	G180.00.01	16
H209038053	G180.00.02	16
H209038053	G180.01.01	16
H209038053	G180.01.02	16
H209038054	G180.00.01	17
H209038054	G180.00.02	17
H209038054	G180.01.01	17
H209038054	G180.01.02	17
H209038055	G180.00.01	18
H209038055	G180.00.02	18
H209038055	G180.01.01	18
H209038055	G180.01.02	18
H209038056	G180.00.01	19
H209038056	G180.00.02	19
H209038056	G180.01.01	19
H209038056	G180.01.02	19
H209038057	G180.00.01	20
H209038057	G180.00.02	20
H209038057	G180.01.01	20
H209038057	G180.01.02	20
H209038058	G180.00.01	21
H209038058	G180.00.02	21
H209038058	G180.01.01	21
H209038058	G180.01.02	21
H209038059	G180.00.01	22
H209038059	G180.00.02	22
H209038059	G180.01.01	22
H209038059	G180.01.02	22
H209038060	G180.00.01	23
H209038060	G180.00.02	23
H209038060	G180.01.01	23
H209038060	G180.01.02	23
H209038062	G180.00.01	25
H209038062	G180.00.02	25
H209038063	G180.00.01	26
H209038063	G180.00.02	26
H209038063	G180.01.01	26
H209038063	G180.01.02	26
H209038064	G180.00.01	29
H209038065	G180.00.01	30
H209038065	G180.00.01	36
H209038065	G180.00.02	30
H209038065	G180.00.02	36
H209038066	G180.00.01	32
H209038066	G180.00.01	38
H209038066	G180.00.02	32
H209038066	G180.00.02	38
H209038067	G180.00.01	35
H209038070	G180.00.01	42
H209038070	G180.00.02	42

# INDEX

Parça No	Sayfa No	No
Part no	Page No	No
H209038070	G180.01.01	44
H209038070	G180.01.02	44
H209038070	G190.00.01	42
H209038071	G180.00.01	K
H209038071	G180.00.02	K
H209038072	G180.00.02	35
H209038073	G180.00.02	29
H209038074	G190.00.01	1
H209038075	G190.00.01	2
H209038075	G190.00.01	4
H209038076	G190.00.01	3
H209038077	G190.00.01	5
H209038078	G190.00.01	6
H209038079	G190.00.01	8
H209038080	G190.00.01	9
H209038081	G190.00.01	10
H209038083	G190.00.01	13
H209038084	G190.00.01	14
H209038085	G190.00.01	15
H209038086	G190.00.01	16
H209038087	G190.00.01	17
H209038088	G190.00.01	18
H209038089	G190.00.01	19
H209038090	G190.00.01	20
H209038091	G190.00.01	21
H209038092	G190.00.01	22
H209038093	G190.00.01	24
H209038094	G190.00.01	25
H209038095	G190.00.01	26
H209038096	G190.00.01	27
H209038097	G190.00.01	28
H209038098	G190.00.01	29
H209038100	G190.00.01	31
H209038101	G190.00.01	32
H209038102	G190.00.01	34
H209038103	G190.00.01	35
H209038105	G180.01.03	37
H209038105	G190.00.01	39
H209038107	G190.00.01	41
H209038108	G190.00.01	K
H209038109	G180.01.01	1
H209038109	G180.01.02	1
H209038110A	G180.01.01	3
H209038110A	G180.01.02	3
H209038111	G180.01.01	4
H209038111	G180.01.02	4
H209038112	G180.01.01	5
H209038112	G180.01.02	5
H209038113	G180.01.01	7
H209038113	G180.01.02	7
H209038118	G180.01.01	12
H209038118	G180.01.02	12
H209038120	G180.01.01	14
H209038120	G180.01.02	14
H209038126	G180.00.01	24
H209038126	G180.00.02	24
H209038126	G180.01.01	24
H209038126	G180.01.02	24
H209038127	G180.01.01	25
H209038127	G180.01.02	25
H209038130	G180.01.01	29
H209038131	G180.01.02	29

Parça No	Sayfa No	No
Part no	Page No	No
H209038133	G180.01.01	32
H209038133	G180.01.01	38
H209038133	G180.01.02	32
H209038133	G180.01.02	38
H209038134	G180.01.01	34
H209038134	G180.01.02	34
H209038135	G180.01.01	35
H209038136	G180.01.02	35
H209038137	G180.01.01	39
H209038137	G180.01.02	39
H209038138	G180.01.01	41
H209038138	G180.01.02	41
H209038139	G180.01.03	32
H209038140	G180.01.01	46
H209038140	G180.01.02	46
H209038141	G180.01.01	K
H209038141	G180.01.02	K
H209038142	G180.01.03	1
H209038143	G180.01.03	2
H209038143	G180.01.03	4
H209038144	G180.01.03	3
H209038145	G180.01.03	5
H209038146	G180.01.03	6
H209038147	G180.01.03	7
H209038147	G190.00.01	11
H209038148	G180.01.03	8
H209038149	G180.01.03	9
H209038150	G180.01.03	10
H209038151	G180.01.03	11
H209038152	G180.01.03	12
H209038153	G180.01.03	13
H209038154	G180.01.03	14
H209038155	G180.01.03	15
H209038156	G180.01.03	16
H209038157	G180.01.03	17
H209038158	G180.01.03	18
H209038159	G180.01.03	19
H209038160	G180.01.03	20
H209038161	G180.01.03	21
H209038162	G180.01.03	22
H209038163	G180.01.03	23
H209038164	G180.01.03	24
H209038165	G180.01.03	25
H209038166	G180.01.03	26
H209038167	G180.01.03	28
H209038168	G180.01.03	29
H209038169	G180.01.03	33
H209038170	G180.01.03	36
H209038172	G180.01.03	38
H209038172	G190.00.01	40
H209038173	G180.01.03	39
H209038174	G180.01.03	41
H209038175	G180.01.03	43
H209038176	G180.01.03	K
H209039001	A020.00.01	1-3
H209039002	A020.00.01	1-4
H209039003	A020.00.01	1-1
H209039004	A020.00.01	1-2
H209039005	A020.00.01	1-5
H209039006	A020.00.01	1-6
H209039007	A020.00.01	1-7
H209039010	A020.00.01	8-2

Parça No	Sayfa No	No
Part no	Page No	No
H209039011	A020.00.01	8-3
H209039012	A020.00.01	8-4
H209039013	A020.00.01	8-5
H209039014	A020.00.01	8-6
H209061100	A050.00.01	1
H209061101	A050.00.01	2
H209061102	A050.00.01	3
H209061103	A050.00.01	9
H209061104	A050.00.01	10
H209061105	A050.00.01	11
H209061106	A050.00.01	15
H209070001	D080.00.02	30
H209070002	D080.00.02	30
H209070003	D080.00.02	30
H209070004	D080.00.02	30
H209070006	D080.00.02	6
H209070008	D080.00.02	16
H209070010	D080.00.02	24
H209070015	D080.00.02	K3
H209070017	D080.00.02	47-2
H209070024	D080.00.01	1-8
H209070025	D080.00.01	1-10
H209070027	D080.00.02	2
H209070028	D080.00.02	3
H209070029	D080.00.02	4
H209070030	D080.00.02	7
H209070031	D080.00.02	8
H209070032	D080.00.02	9
H209070033	D080.00.02	10
H209070034	D080.00.02	11
H209070037	D080.00.02	14
H209070040	D080.00.02	17
H209070045	D080.00.02	22
H209070053	D080.00.02	35
H209070065	D080.00.02	47-6
H209070066	D080.00.02	47-7
H209070069	D080.00.01	1-1
H209070076	D080.00.01	5
H209070077	D080.00.01	6
H209070078	D080.00.01	7
H209070080	D080.00.01	1-9
H209070087	D080.00.02	24-1
H209070100	D080.00.01	1-2
H209070101	D080.00.01	1-3
H209070102	D080.00.01	1-4
H209070103	D080.00.01	1-5
H209070104	D080.00.01	1-6
H209070107	D080.00.02	1
H209070108	D080.00.02	5
H209070109	D080.00.02	12
H209070110	D080.00.02	13
H209070111	D080.00.02	15
H209070112	D080.00.02	23
H209070113	D080.00.02	25
H209070114	D080.00.02	26
H209070115	D080.00.02	38
H209070119	D080.00.02	43
H209070120	D080.00.02	44
H209070121	D080.00.02	45
H209070123	D080.00.02	47
H209070124	D080.00.02	47-1
H209070125	D080.00.02	47-4

# INDEX

Parça No	Sayfa No	No
Part no	Page No	No
H209070126	D080.00.02	47-9
H209070127	D080.00.02	K1
H209070128	D080.00.02	K2
H209070129	D080.00.02	T1
H209072001	J010.00.01	25-1
H209088001	H020.00.01	17
H209088002	H020.00.01	23
H209088003	H020.00.01	50
H221109700	B100.00.01	33
H221202400	B010.00.01	25
H221211400	B010.00.01	26
H223200200	G175.00.01	0
H224103500	B120.00.01	3-7
H224103500	B120.00.01	4-7
H224103600	B120.00.01	3-8
H224103600	B120.00.01	4-8
H224200100	E020.03.01	1
H224200200	E020.03.01	1-1
H224200300	E020.03.01	1-2
H224200400	E020.03.01	1-3
H224200500	E020.03.01	1-4
H224200600	E020.03.01	2
H224220100	E020.01.01	1
H224220200	E020.01.01	1-1
H224220300	E020.01.01	1-2
H224220400	E020.01.01	1-3
H224230100	E020.02.01	1
H224230200	E020.02.01	1-1
H224230300	E020.02.01	1-2
H224230400	E020.02.01	2
H227001500	Y010.00.01	19
H227001500	Y010.01.01	19
H227001500	Y010.02.01	19
H227001500	Y010.03.01	19
H227001500	Y010.04.01	19
H228000500	K010.00.02	39
H228010400B	K040.00.01	1
H228010400C	K040.00.01	1
H229040001	G175.00.01	1
H229040002	G175.00.01	2
H230504100	K110.00.01	1
H231211000	B015.00.01	1-3
H231230202	B010.00.01	27
H233100100	F050.00.02	1
H233100100	G240.00.01	0
H233101100	F050.00.02	4
H233110200	J020.00.01	6
H233124801	G220.00.02	3
H233124801	G230.00.02	3
H233124901	G220.00.01	3
H233124901	G230.00.01	3
H233125500	F050.00.04	23
H233125700	F050.00.04	24
H233125800	F050.00.05	5
H233141101	G070.00.01	0
H233200200	G090.00.01	0
H233203100	F060.00.04	30
H233205100	G080.00.01	0
H233205200	G080.00.02	0
H233510200	J040.00.01	0
H233510301	J030.00.01	0
H233510700	J010.00.01	37

Parça No	Sayfa No	No
Part no	Page No	No
H233510802	J010.00.01	12
H233511001	F090.00.01	43
H233511001	F090.01.01	38
H233511001	J010.00.01	20
H233512100	J010.00.01	53
H233516000	J010.00.01	57
H233520202	G130.00.01	0
H233520300	G110.00.01	0
H233520400	F060.00.07	29
H233520601	F060.00.03	45
H233520601	F060.00.07	41
H233520701	F060.00.07	20
H233520800	F060.00.07	19
H233521700	F060.00.03	15
H233521700	F060.00.08	6
H233521800	F060.00.07	7
H233521900	F060.00.07	14
H233522000	G120.00.01	0
H233522300	F060.00.07	39
H233522400	F060.00.07	24
H233522500	F060.00.07	37
H233601200	F040.00.01	11
H233601300	F040.00.01	12
H234006200	D010.00.01	11
H234105400	B030.00.01	22-7
H234105400	B120.00.01	3-9
H234105400	B120.00.01	4-9
H234106201	B180.00.01	9
H234106201	B200.00.01	14
H234303202	B180.00.01	10
H234303300	B180.00.01	11
H236106103	C140.00.01	0
H236130501	C110.00.01	3
H236132000	C110.00.01	5
H236132400	C110.00.01	4
H236132500	C110.00.01	5-1
H236132600	C110.00.01	14
H236132700	C110.00.01	5-2
H236132900	C110.00.01	5-3
H237000702	Y010.00.01	22
H237000702	Y010.01.01	22
H237000702	Y010.02.01	22
H237000702	Y010.03.01	22
H237000702	Y010.04.01	22
H237000800	Y010.00.01	21
H237000900	Y010.00.01	24
H237000900	Y010.01.01	24
H237000900	Y010.02.01	24
H237000900	Y010.03.01	24
H237000900	Y010.04.01	24
H237005400	Y010.00.01	25
H237005400	Y010.01.01	25
H237005400	Y010.02.01	25
H237005400	Y010.03.01	25
H237005400	Y010.04.01	25
H237010800	Y010.01.01	21
H237025400	Y010.02.01	21
H237029500	Y010.04.01	21
H237030604	Y010.00.01	11
H237030800	Y010.00.01	17
H237030800	Y010.01.01	17
H237030800	Y010.02.01	17

Parça No	Sayfa No	No
Part no	Page No	No
H237030800	Y010.03.01	17
H237030800	Y010.04.01	17
H237040604	Y010.01.01	11
H237042602	Y010.02.01	11
H237043800	Y010.03.01	21
H237043901	Y010.03.01	11
H237053400	Y010.04.01	11
H238001002	K010.00.02	34
H238001102	K010.00.02	35
H238004101	K010.00.02	33
H238005500	K010.00.01	12
H238005500	K010.00.01	12
H238016900	F080.00.01	100
H238016900	F080.01.01	100
H238016900	F080.02.01	100
H238016900	F080.03.01	100
H238020603	K040.00.01	3
H238020604	K040.00.01	3
H238020701	K040.00.01	4
H238021301	K010.00.01	35
H238021301	K010.00.01	35
H238024100	K010.00.02	1
H238024200	K010.00.02	2
H238024301	K010.00.02	1-1
H238024401	K010.00.02	2-1
H239010002	G010.00.06	1
H239010003	G010.00.06	2
H239010005	G010.00.06	4
H239010010	G010.00.06	15
H239010012	G010.00.06	21
H239010013	G010.00.06	22
H239010014	G010.00.06	26
H239010015	G010.00.06	27
H239010016	G010.00.06	28
H239010017	G010.00.06	29
H239010018	G010.00.06	30
H239010019	G010.00.06	35
H239010020	G010.00.06	36
H239010051	G010.00.01	5
H239010077	G010.00.01	548
H239010080	G010.00.01	727
H239010100	G010.00.04	412
H239010100	G010.00.05	412
H239010101	G010.00.04	413
H239010101	G010.00.05	413
H239010102	G010.00.04	436
H239010102	G010.00.05	436
H239010103	G010.00.04	438
H239010103	G010.00.05	438
H239010104	G010.00.04	601
H239010104	G010.00.05	601
H239010106	G010.00.04	612
H239010106	G010.00.05	612
H239010107	G010.00.04	613
H239010107	G010.00.05	613
H239010108	G010.00.04	614
H239010108	G010.00.05	614
H239010109	G010.00.04	615
H239010109	G010.00.05	615
H239010112	G010.00.04	623
H239010112	G010.00.05	623
H239010113	G010.00.04	624

# INDEX

Parça No	Sayfa No	No
Part no	Page No	No
H239010113	G010.00.05	624
H239010117	G010.00.04	628
H239010117	G010.00.05	628
H239010118	G010.00.04	629
H239010118	G010.00.05	629
H239010119	G010.00.04	630
H239010119	G010.00.05	630
H239010121	G010.00.04	641
H239010121	G010.00.05	641
H239010122	G010.00.04	643
H239010122	G010.00.05	643
H239010123	G010.00.04	644
H239010123	G010.00.05	644
H239010124	G010.00.04	645
H239010124	G010.00.05	645
H239010125	G010.00.04	646
H239010125	G010.00.05	646
H239010127	G010.00.04	652
H239010127	G010.00.05	652
H239010128	G010.00.04	653
H239010128	G010.00.05	653
H239010129	G010.00.04	654
H239010129	G010.00.05	654
H239010130	G010.00.04	655
H239010130	G010.00.05	655
H239010131	G010.00.04	656
H239010132	G010.00.04	708
H239010132	G010.00.05	708
H239010133	G010.00.04	722
H239010133	G010.00.05	722
H239010134A	G010.00.01	724
H239010134A	G010.00.04	724
H239010134A	G010.00.05	724
H239010135	G010.00.04	725
H239010135	G010.00.05	725
H239010136	G010.00.01	728
H239010136	G010.00.04	728
H239010136	G010.00.05	728
H239010137	G010.00.04	730
H239010137	G010.00.05	730
H239010138	G010.00.01	732
H239010138	G010.00.04	732
H239010138	G010.00.05	732
H239010139	G010.00.04	733
H239010139	G010.00.05	733
H239010140	G010.00.04	734
H239010140	G010.00.05	734
H239010141	G010.00.04	735
H239010141	G010.00.05	735
H239010142	G010.00.04	753
H239010142	G010.00.05	753
H239010143	G010.00.04	756
H239010143	G010.00.05	756
H239010144	G010.00.04	763
H239010144	G010.00.05	763
H239010145	G010.00.04	801
H239010145	G010.00.05	801
H239010146	G010.00.04	802
H239010146	G010.00.05	802
H239010147	G010.00.04	814
H239010147	G010.00.05	814
H239010148	G010.00.04	836

Parça No	Sayfa No	No
Part no	Page No	No
H239010148	G010.00.05	836
H239010149	G010.00.04	858
H239010149	G010.00.05	858
H239010150	G010.00.04	874
H239010150	G010.00.05	874
H239010151	G010.00.04	875
H239010151	G010.00.05	875
H239010152	G010.00.04	876
H239010152	G010.00.05	876
H239010153	G010.00.04	887
H239010153	G010.00.05	887
H239010154	G010.00.02	887
H239010154	G010.00.04	897
H239010154	G010.00.05	897
H239010156	G010.00.04	924
H239010156	G010.00.05	924
H239010174	G010.00.01	885
H239025032	E050.00.08	043
H239025043	E050.00.03	390
H239025043	E050.00.08	046
H239025101	E050.00.04	010
H239025102A	E050.00.04	050
H239025111	E050.00.04	070
H239025163	E050.00.08	020
H239025164	E050.00.08	032
H239025170	E050.00.08	050
H239025171	E050.00.08	052
H239025173	E050.00.08	052/020
H239025174	E050.00.08	062
H239025175	E050.00.08	062/050
H239025175	E050.00.08	072/050
H239025175	E050.00.08	082/050
H239025176	E050.00.08	062/060
H239025176	E050.00.08	072/060
H239025176	E050.00.08	082/060
H239025177	E050.00.08	072
H239025180	E050.00.03	310/020
H239025180	E050.00.03	330/020
H239025180	E050.00.03	340/020
H239025180	E050.00.08	072/070
H239025180	G120.00.01	1-6
H239025181	E050.00.08	082
H239025184	E050.00.08	092
H239025186	E050.00.08	110
H239025187	E050.00.08	130
H239025188	E050.00.08	140
H239025190	E050.00.08	202
H239025192	E050.00.08	224
H239025193	E050.00.08	235
H239025194	E050.00.08	242
H239025195	E050.00.08	245
H239025195	E050.00.08	259
H239025195	E050.00.08	272
H239025202	E050.00.08	380
H239025203	E050.00.08	480
H239025204	E050.00.08	044
H239025204	E050.00.08	500
H239025220	E050.00.07	330
H239025220	E050.00.07	430
H239025251	E050.00.02	010
H239025252	E050.00.02	030
H239025253	E050.00.02	050

Parça No	Sayfa No	No
Part no	Page No	No
H239025255	E050.00.02	090
H239025255	E050.00.07	170
H239025256	E050.00.02	110
H239025257	E050.00.04	170
H239025259	E050.00.02	160
H239025262A	E050.00.03	010
H239025263	E050.00.03	020
H239025264	E050.00.03	090
H239025265	E050.00.03	094
H239025267	E050.00.03	210/020
H239025268	E050.00.03	250
H239025269	E050.00.03	270
H239025270	E050.00.03	290
H239025270	E050.00.03	410
H239025279	E050.00.03	370/020
H239025279	E050.00.08	552/020
H239025279	G120.00.01	1-7
H239025281	E050.00.03	398
H239025281	E050.00.08	048
H239025283A	E050.00.03	450
H239025285	E050.00.03	490/020
H239025286	E050.00.03	530
H239025287	E050.00.03	550
H239025288	E050.00.03	570
H239025290	E050.00.09	010
H239025291	E050.00.09	020
H239025291	E050.00.09	070
H239025292A	E050.00.09	030
H239025292A	E050.00.09	080
H239025293	E050.00.09	040
H239025293	E050.00.09	090
H239025294A	E050.00.09	050
H239025294A	E050.00.09	100
H239025295	E050.00.09	060
H239025301	E050.00.05	010
H239025302	E050.00.05	030
H239025303	E050.00.05	050
H239025307	E050.00.05	080
H239025308	E050.00.05	090
H239025309	E050.00.05	100
H239025310	E050.00.05	110
H239025311	E050.00.05	130
H239025312	E050.00.05	150
H239025313	E050.00.05	170
H239025314	E050.00.05	190
H239025315	E050.00.05	210
H239025318	E050.00.04	030
H239025329	E050.00.04	110
H239025330	E050.00.04	130
H239025331	E050.00.04	150
H239025333	E050.00.04	190
H239025334	E050.00.04	210
H239025335	E050.00.04	230
H239025336	E050.00.04	250
H239025337	E050.00.04	270
H239025338	E050.00.04	290
H239025339	E050.00.04	310
H239025340	E050.00.04	330
H239025342	E050.00.06	010
H239025344A	E050.00.06	050
H239025345	E050.00.06	060
H239025346	E050.00.06	070

# INDEX

Parça No	Sayfa No	No
Part no	Page No	No
H239025346	E050.00.06	270
H239025347	E050.00.06	090
H239025348	E050.00.06	110
H239025349	E050.00.06	130
H239025350	E050.00.06	150
H239025351	E050.00.06	190
H239025352	E050.00.06	210
H239025353	E050.00.06	230
H239025355	E050.00.06	290
H239025357	E050.00.06	350
H239025359	E050.00.08	010
H239025362	E050.00.08	040
H239025369	E050.00.08	052/010
H239025382	E050.00.08	095
H239025386	E050.00.08	150
H239025388	E050.00.08	215
H239025393A	E050.00.08	254
H239025395	E050.00.08	262
H239025398	E050.00.08	340/020
H239025398	G120.00.01	1-8
H239025399	E050.00.08	372
H239025405	E050.00.08	570
H239025406	E050.00.08	580
H239025408	E050.00.07	010
H239025409	E050.00.07	030
H239025410	E050.00.07	030/030
H239025411	E050.00.07	030/050
H239025412	E050.00.07	030/070
H239025413	E050.00.07	090
H239025413	E050.00.07	370
H239025414	E050.00.07	110
H239025415	E050.00.07	130
H239025415	E050.00.07	390
H239025417	E050.00.07	190
H239025418	E050.00.07	210
H239025419	E050.00.07	250
H239025420	E050.00.07	270
H239025421	E050.00.07	310
H239025421	E050.00.07	410
H239025423	E050.00.06	310
H239025423	E050.00.07	350
H239025423	E050.00.07	450
H239025429	G120.00.01	1
H239025430	G120.00.01	1-1
H239025431	G120.00.01	1-2
H239025435	G120.00.01	1-3
H239025436	G120.00.01	1-4
H239025437	G120.00.01	1-5
H239025457	E050.00.03	210
H239025458	E050.00.03	310
H239025458	E050.00.03	330
H239025458	E050.00.03	340
H239025459	E050.00.03	370
H239025460	E050.00.03	490
H239025461	E050.00.08	340
H239025462	E050.00.08	552
H239025468	E050.00.04	090
H239028206	G050.00.03	26
H239028207	G050.00.01	9
H239028208	G050.00.01	10
H239028209	G050.00.01	11
H239028212	G050.00.01	17

Parça No	Sayfa No	No
Part no	Page No	No
H239028220	G050.00.01	18
H239028249	G050.00.02	1
H239028250	G050.00.02	1-1
H239028251	G050.00.02	1-2
H239028252	G050.00.02	1-3
H239028253	G050.00.02	1-4
H239028254	G050.00.02	1-5
H239028255	G050.00.02	1-7
H239028256	G050.00.02	1-9
H239028257	G050.00.02	1-14
H239028258	G050.00.02	1-15
H239028259	G050.00.02	1-16
H239028260	G050.00.02	1-17
H239028261	G050.00.02	1-19
H239028262	G050.00.02	1-20
H239028263	G050.00.02	1-21
H239028264	G050.00.02	1-22
H239028264	G050.00.02	2-14
H239028264	G050.00.03	28
H239028265	G050.00.02	1-23
H239028265	G050.00.02	32
H239028266	G050.00.02	1-29
H239028270	G050.00.02	2-3
H239028271	G050.00.02	2-4
H239028272	G050.00.02	2-5
H239028275	G050.00.02	2-9
H239028276	G050.00.02	2-10
H239028277	G050.00.02	2-11
H239028278	G050.00.02	2-12
H239028279	G050.00.02	2-13
H239028287	G050.00.02	20
H239028292	G050.00.02	28
H239028294	G050.00.01	8
H239028294	G050.00.01	13
H239028294	G050.00.02	34
H239028295A	G050.00.02	50
H239028304	G050.00.03	2
H239028305	G050.00.03	2-1
H239028306	G050.00.03	2-2
H239028307	G050.00.03	2-3
H239028310	G050.00.03	3-2
H239028311	G050.00.03	3-3
H239028312	G050.00.03	3-4
H239028315	G050.00.03	3-10
H239028321	G050.00.03	20
H239028323	G050.00.03	22
H239028326	G050.00.03	25
H239028328	G050.00.03	27
H239030001	G070.00.01	1
H239030002	G070.00.01	2
H239030003	G070.00.01	3
H239030004	G070.00.01	4
H239030005	G070.00.01	5
H239030006	G070.00.01	6
H239030007	G070.00.01	7
H239030008	G070.00.01	8
H239030010	G070.00.01	10
H239030011	G070.00.01	11
H239030012	G070.00.01	12
H239030013	G070.00.01	13
H239030014	G070.00.01	14
H239030015	G070.00.01	15

Parça No	Sayfa No	No
Part no	Page No	No
H239030016	G070.00.01	16
H239030017	G070.00.01	17
H239031001	G240.00.01	1
H239031002	G240.00.01	2
H239031003	G240.00.01	3
H239031004	G240.00.01	4
H239031005	G240.00.01	5
H239031006	G240.00.01	6
H239031007	G240.00.01	7
H239031008	G240.00.01	8
H239031009	G240.00.01	9
H239031010	G240.00.01	10
H239031011	G240.00.01	K
H239032152	E010.00.01	12
H239032153	E010.00.01	13
H239032154	E010.00.01	14
H239042001	G090.00.01	1
H239042002	G090.00.01	2
H239042003	G090.00.01	3
H239042004	G090.00.01	4
H239042005	G090.00.01	5
H239042006	G090.00.01	6
H239042007	G090.00.01	7
H239042008	G090.00.01	8
H239042009	G090.00.01	9
H239042010	G090.00.01	10
H239042011	G090.00.01	11
H239042012	G090.00.01	12
H239042013	G090.00.01	13
H239042014	G090.00.01	14
H239042015	G090.00.01	15
H239042016	G090.00.01	16
H239042017	G090.00.01	17
H239042018	G090.00.01	18
H239042019	G090.00.01	19
H239042020	G090.00.01	20
H239042021	G090.00.01	21
H239042022	G090.00.01	22
H239042023	G090.00.01	23
H239042024	G090.00.01	24
H239042025	G090.00.01	25
H239042026	G090.00.01	26
H239042027	G090.00.01	27
H239042028	G090.00.01	K1
H239042029	G090.00.01	K2
H239042030	G090.00.01	K3
H239042100	G080.00.01	121
H239042100	G080.00.02	121
H239042101	G080.00.01	122
H239042101	G080.00.02	122
H239042102	G080.00.01	213
H239042102	G080.00.02	213
H239042103	G080.00.01	214
H239042103	G080.00.02	214
H239042104	G080.00.01	323
H239042104	G080.00.02	323
H239042105	G080.00.01	402
H239042105	G080.00.02	402
H239042106	G080.00.01	434
H239042106	G080.00.02	434
H239042107	G080.00.01	457
H239042107	G080.00.02	457

# INDEX

Parça No	Sayfa No	No
Part no	Page No	No
H239042108	G080.00.01	460
H239042108	G080.00.02	460
H239042109	G080.00.01	461
H239042109	G080.00.02	461
H239042110	G080.00.01	463
H239042110	G080.00.02	463
H239042111	G080.00.01	501
H239042111	G080.00.02	501
H239042112	G080.00.01	K1
H239042112	G080.00.02	K1
H239042113	G080.00.01	K2
H239042113	G080.00.02	K2
H239043001	G110.00.01	1
H239043002	G110.00.01	2
H239043003	G110.00.01	3
H239043004	G110.00.01	4
H239043005	G110.00.01	5
H239043006	G110.00.01	6
H239043007	G110.00.01	7
H239043008	G110.00.01	8
H239043009	G110.00.01	9
H239043010	G110.00.01	10
H239043011	G110.00.01	11
H239043012	G110.00.01	12
H239043013	G110.00.01	13
H239043014	G110.00.01	14
H239043015	G110.00.01	15
H239043016	G110.00.01	16
H239043017	G110.00.01	17
H239043018	G110.00.01	18
H239043019	G110.00.01	19
H239043020	G110.00.01	20
H239043021	G110.00.01	21
H239043022	G110.00.01	22
H239043023	G110.00.01	K1
H239043024	G110.00.01	K2
H239043025	G110.00.01	K3
H239043201	J040.00.01	2
H239043202	J040.00.01	3
H239043203	J040.00.01	4
H239043204	J040.00.01	12
H239043205	J040.00.01	16
H239043206	J040.00.01	17
H239043207	J040.00.01	18
H239043208	J040.00.01	19
H239043209	J040.00.01	20
H239043210	J040.00.01	21
H239043211	J040.00.01	23
H239043212	J040.00.01	24
H239043213	J040.00.01	25
H239043214	J040.00.01	26
H239044001	J030.00.01	1
H239044002	J030.00.01	2
H239044003	J030.00.01	3
H239044004	J030.00.01	4
H239044005A	J030.00.01	5
H239044006	J030.00.01	6
H239044007	J030.00.01	7
H239044008A	J030.00.01	8
H239044009A	J030.00.01	9
H239044010	J030.00.01	10
H239044011	J030.00.01	11

Parça No	Sayfa No	No
Part no	Page No	No
H239044012	J030.00.01	12
H239044013	J030.00.01	13
H239044014	J030.00.01	14
H239044015	J030.00.01	15
H239044016A	J030.00.01	16
H239044017	J030.00.01	17
H239044018	J030.00.01	17-1
H239044019A	J030.00.01	17-2
H239044020	J030.00.01	17-3
H239044021	J030.00.01	17-4
H239044023A	J030.00.01	19
H239044025	J030.00.01	21
H239044026	J030.00.01	22
H239044027	J030.00.01	23
H239044028A	J030.00.01	24
H239044029	J030.00.01	25
H239044030	J030.00.01	26
H239044031	J030.00.01	27
H239044032	J030.00.01	28
H239044033	J030.00.01	29
H239044034	J030.00.01	30
H239044036A	J030.00.01	31
H239044037	J030.00.01	32
H239044038	J030.00.01	33
H239044039	J030.00.01	34
H239044044	J030.00.01	20
H239044045	J030.00.01	K
H239046020	G130.00.01	3
H239046021	G130.00.01	1
H239046023	G130.00.01	4
H239046028	G130.00.01	2
H239046029	G130.00.01	5
H239046032	G130.00.01	K3
H239046034	G130.00.01	K1
H239046035	G130.00.01	K2
H239070017	D080.00.02	18
H239070021	D080.00.02	21
H239070037	D080.00.02	32
H239070041	D080.00.02	31
H239070041	D080.00.02	47-8
H239070051	D080.00.02	46
H239070057	D080.00.02	47-3
H239070058	D080.00.02	47-5
H239088001	H020.00.01	1
H239088002	H020.00.01	2
H239088003	H020.00.01	3
H239088004	H020.00.01	4
H239088005	H020.00.01	5
H239088007	H020.00.01	7
H239088010	H020.00.01	10
H239088011	H020.00.01	11
H239088012	H020.00.01	12
H239088013	H020.00.01	13
H239088015	H020.00.01	15
H239088016	H020.00.01	16
H239088018	H020.00.01	18
H239088019	H020.00.01	19
H239088020	H020.00.01	20
H239088024	H020.00.01	24
H239088030	H020.00.01	30
H239088031	H020.00.01	31
H239088032	H020.00.01	32

Parça No	Sayfa No	No
Part no	Page No	No
H239088033	H020.00.01	33
H239088034	H020.00.01	34
H239088035	H020.00.01	35
H239088036	H020.00.01	36
H239088037	H020.00.01	37
H239088051	H020.00.01	51
H239088052	H020.00.01	52
H239088053	H020.00.01	53
H239088054	H020.00.01	54
H239088055	H020.00.01	55
H239088056	H020.00.01	56
H239088065	H020.00.01	K
H239089300	C140.00.01	15
H239089301	C140.00.01	15-1
H239089302	C140.00.01	15-2
H239089303	C140.00.01	15-3
H239089304	C140.00.01	15-4
H239089305	C140.00.01	15-5
H239089306	C140.00.01	15-6
H239089307	C140.00.01	15-7
H239089308	C140.00.01	15-8
H239089309	C140.00.01	15-9
H239089310	C140.00.01	15-10
H239089311	C140.00.01	22
H239089312	C140.00.01	20
H239089313	C140.00.01	23
H239089314	C140.00.01	24
H239089317	C140.00.01	21
H239089318	C140.00.01	19
H239089321	C140.00.01	17
H239089322	C140.00.01	1
H239089323	C140.00.01	2
H239089324	C140.00.01	3
H239089325	C140.00.01	4
H239089326	C140.00.01	5
H239089331A	C140.00.01	18
H239089332	C140.00.01	7
H239089333	C140.00.01	8
H239089337	C140.00.01	25
H239089338A	C140.00.01	26
H239089339A	C140.00.01	27
H239089340	C140.00.01	9
H239089350	C140.00.01	6
H239089351	C140.00.01	10
H239089352	C140.00.01	11
H239089353	C140.00.01	12
H239089354	C140.00.01	13
H239089355	C140.00.01	14
H239089356	C140.00.01	16
H250102100	F060.00.04	41
H250186000	F090.00.01	45
H250186000	F090.01.01	39
H251161500	B050.00.01	5-4
H251161500	B070.00.01	4-21
H251210101	B010.00.01	28
H251220501	B010.00.01	29
H252512000	A060.00.01	15
H252721300	A090.00.01	17
H252721400	A090.00.01	18
H253005000	F030.00.03	49
H253005300	F030.00.03	50
H253201502	G150.00.01	0

# INDEX

Parça No	Sayfa No	No
Part no	Page No	No
H253210101	F060.00.03	42
H253210300	F060.00.03	43
H253210401	F060.00.04	40
H253210500	F060.00.03	46
H253210600	F060.00.04	39
H257006400	Y010.00.01	13
H257006400	Y010.01.01	13
H257006400	Y010.02.01	13
H257006400	Y010.03.01	13
H257006400	Y010.04.01	13
H257006500	Y010.00.01	12
H257006500	Y010.01.01	12
H257006500	Y010.02.01	12
H257006500	Y010.03.01	12
H257006500	Y010.04.01	12
H258003401	A080.00.01	0
H258009001	K010.00.01	30
H258009001	K010.00.01	30
H258009100	K010.00.01	31
H258009100	K010.00.01	31
H259002071	Z020.00.02	7A
H259002093	Z030.00.01	383
H259002095	Z040.00.01	42
H259002099	Z030.00.01	3
H259002145	Z030.00.01	49
H259002145	Z060.00.05	23
H259002148	Z050.00.02	29
H259002159	Z040.00.02	50
H259002159	Z070.00.04	2A
H259002160	Z060.00.04	545
H259002195	Z070.00.04	271
H259002271	Z020.00.02	143
H259002565	Z060.00.04	915
H259002653	Z060.00.04	483A
H259010015	G010.00.01	981
H259010015	G010.00.01	983
H259010016	G010.00.01	954
H259041010	G150.00.01	1
H259041011	G150.00.01	3
H259041011	G175.00.01	3
H259070356	D080.00.02	40
H259070528	D080.00.02	19
H259070530	D080.00.02	20
H259070536	D080.00.02	27
H259070537	D080.00.02	28
H259070538	D080.00.02	29
H259070539	D080.00.02	33
H259070540	D080.00.02	34
H259070541	D080.00.02	37
H259070542	D080.00.02	36
H259070550	D080.00.02	39
H259070552	D080.00.02	41
H259070553	D080.00.02	42
H259070597	D080.00.01	1-7
H259080101A	A080.00.01	2
H259080102A	A080.00.01	4
H259080103A	A080.00.01	11
H259080104A	A080.00.01	10
H259080105	A080.00.01	9
H259080107	A080.00.01	8
H259080108A	A080.00.01	7
H259080109A	A080.00.01	11-1

Parça No	Sayfa No	No
Part no	Page No	No
H259080120	A080.00.01	1
H259080121	A080.00.01	3
H259080122	A080.00.01	5
H259080123	A080.00.01	6
H300115100	F080.00.01	52
H300115100	F080.01.01	52
H300115100	F080.02.01	52
H300115300	F080.00.01	53
H300115300	F080.01.01	53
H300115300	F080.02.01	53
H301210800	B010.00.01	30
H301211000	B010.00.01	31
H301211500	B010.00.01	32
H302000200	A010.00.01	5
H302000300	A010.00.01	6
H302000400	A010.00.01	7
H302000500	A010.00.01	8
H302000600	A010.00.01	9
H302000700	A010.00.01	10
H302200100	A020.00.01	5
H302200400	A020.00.01	6
H302200700	A020.00.01	7
H302200800	A020.00.01	8
H302200900	A020.00.01	9
H302201300	A020.00.01	10
H302201500	A020.00.01	8-1
H302400400	A040.00.01	15
H302400500	A040.00.01	16
H302400800	A040.00.01	17
H302401000	A040.00.01	18
H302401300	A040.00.01	19
H302402600	A040.00.01	20
H302402700	A040.00.01	21
H302402900	A040.00.01	25
H302403400	A040.00.01	22
H302403600	A040.00.01	23
H302403800	A040.00.01	27
H302403901	A040.00.01	26
H303610101	F040.00.01	13
H305200000	D040.01.01	1
H305200100	D040.01.01	1-1
H307000100	Y010.00.01	1
H307000100	Y010.01.01	1
H307000100	Y010.02.01	1
H307000100	Y010.03.01	1
H307000100	Y010.04.01	1
H307001000	Y010.00.01	26
H307001000	Y010.01.01	26
H307001000	Y010.02.01	26
H307001000	Y010.03.01	26
H307001000	Y010.04.01	26
H307001100	Y010.00.01	27
H307001100	Y010.01.01	27
H307001100	Y010.02.01	27
H307001100	Y010.03.01	27
H307001100	Y010.04.01	27
H307001200	Y010.00.01	29
H307001200	Y010.01.01	29
H307001200	Y010.02.01	29
H307001200	Y010.03.01	29
H307001200	Y010.04.01	29
H307001300	Y010.00.01	28

Parça No	Sayfa No	No
Part no	Page No	No
H307001300	Y010.01.01	28
H307001300	Y010.02.01	28
H307001300	Y010.03.01	28
H307001300	Y010.04.01	28
H307001400	Y010.00.01	30
H307001400	Y010.01.01	30
H307001400	Y010.02.01	30
H307001400	Y010.03.01	30
H307001400	Y010.04.01	30
H309010003	G010.00.01	11-1
H309010004	G010.00.01	11-2
H309010005	G010.00.01	313
H309010006	G010.00.01	314
H309010012	G010.00.01	K3
H309010013	G010.00.01	K4
H309010016	G010.00.01	774
H309010017	G010.00.01	K6
H309010019	G010.00.01	K10
H309010035	G010.00.05	466
H309010036	G010.00.05	699
H309010037	G010.00.01	704
H309061004	A050.00.01	4
H309061005	A050.00.01	5
H309061006	A050.00.01	6
H309061007	A050.00.01	7
H309061008	A050.00.01	8
H309061012	A050.00.01	14
H309061014	A050.00.01	16
H323102100	F050.00.04	26
H340101901	F080.00.01	29
H340101901	F080.01.01	29
H340101901	F080.02.01	29
H340101901	F080.03.01	22
H340101901	F090.00.01	27
H340101901	F090.01.01	22
H340102001	F080.00.01	30
H340102001	F080.01.01	30
H340102001	F080.02.01	30
H340102001	F080.03.01	23
H340102001	F090.00.01	28
H340102001	F090.01.01	23
H340102500	F060.00.04	38
H340103800	F080.00.01	37
H340103800	F080.01.01	37
H340103800	F080.02.01	37
H340103800	F080.03.01	33
H340112400	F100.00.01	8
H340114700	F100.00.01	26
H340115001	G210.00.01	2
H340122001	D080.00.01	4
H340190401	F150.00.01	1
H340198100	F160.01.01	1
H340515200	K120.00.01	1
H340520400	K120.00.01	3
H341102900	B050.00.01	5-5
H341102900	B070.00.01	4-22
H341102900	C020.00.01	2
H341102900	C020.00.01	2
H341103104	B050.00.01	5-6
H341103104	B070.00.01	4-23
H341105301	B060.00.01	34
H341105301	B080.00.01	34

# INDEX

Parça No	Sayfa No	No
Part no	Page No	No
H341126100	B100.00.01	26-6
H341126600	B090.00.01	35
H341126700	B090.00.01	36
H341139700	B015.00.01	1-4
H341139700	B070.00.01	37
H341139700	B090.00.01	37
H341139700	B100.00.01	26-7
H341163700	B110.00.01	38
H341163800	B110.00.01	39
H341172600	B070.00.01	4-24
H341179000	B100.00.01	26-8
H341182900	B030.00.01	22-8
H341182900	B060.00.01	1-5
H341182900	B080.00.01	31-3
H341182900	B100.00.01	26-9
H341182900	B120.00.01	3-10
H341182900	B120.00.01	4-10
H341182901	B060.00.01	1-5
H341182901	B080.00.01	31-3
H341182901	B100.00.01	26-9
H341182902	B060.00.01	1-5
H341182902	B080.00.01	31-3
H341182902	B100.00.01	26-9
H341182903	B060.00.01	1-5
H341182903	B080.00.01	31-3
H341182903	B100.00.01	26-9
H341182904	B060.00.01	1-5
H341182904	B080.00.01	31-3
H341182904	B100.00.01	26-9
H341183601	B050.00.01	5-7
H341183601	B070.00.01	4-25
H341185200	B080.00.01	31-4
H341185400	B060.00.01	1-1
H341201202	B010.00.01	33
H341201500	B010.00.01	34
H341201500	B120.00.01	8
H341201600	B010.00.01	35
H341201600	B120.00.01	9
H341203900	B010.00.01	36
H341213603	B010.00.01	37
H341217901	B030.00.01	38
H341218700	B030.00.01	38-1
H341218800	B030.00.01	38-2
H341218900	B030.00.01	38-3
H341230400	B010.00.01	39
H341237400	B010.00.01	40
H341248800	B030.00.01	41
H342031700	A010.00.01	11
H342311102	A030.00.01	7
H342320201	A030.00.01	8
H342321301	A030.00.01	9
H342322100	A030.00.01	10
H342322200	A030.00.01	11
H342322400	A030.00.01	12
H342405202	A040.00.01	29
H342410800	A040.00.01	30
H342442700	A040.00.01	31
H342442900	A040.00.01	32
H342503002	A060.00.01	16
H342503003	A060.00.01	16
H342503004	A060.00.01	16
H342503005	A060.00.01	16

Parça No	Sayfa No	No
Part no	Page No	No
H342503006	A060.00.01	16
H342503102	A060.00.01	17
H342503202	A060.00.01	18
H342504000	A060.00.01	19
H342505300	A060.00.01	20
H342505500	A060.00.01	21
H342506300	A060.00.01	22
H342506401	A060.00.01	23
H342512601	A060.00.01	24
H342520100	A060.00.01	25
H342520201	A060.00.01	26
H342520300	A060.00.01	27
H342521400	A060.00.01	28
H342521500	A060.00.01	29
H342521600	A060.00.01	30
H342522400	A060.00.01	31
H342700302	A100.00.01	0
H342700402	A090.00.01	20
H342700602	A090.00.01	21
H342700701	A090.00.01	22
H342700801	A090.00.01	23
H342703502	A090.00.01	24
H342704501	A090.00.01	25
H342711200	A090.00.01	26
H342730301	A090.00.01	27
H342735901	A090.00.01	28
H342736001	A090.00.01	29
H342741300	A090.00.01	30
H343002100	F030.00.03	51
H343008100	F030.00.03	52
H343011300	E010.00.01	15
H343011300	F030.00.03	53
H343011300	F120.00.01	2
H343011300	F120.01.01	11
H343200600	F060.00.04	30-1
H343200700	F060.00.04	30-9
H343201100	F060.00.08	31
H343201200	F060.00.08	31-1
H343201300	F060.00.08	30
H343201401	F050.00.04	27
H343201601	F060.00.04	27
H343201702	F060.00.05	11
H343201702	F090.00.01	42
H343201702	F090.01.01	37
H343201802	F060.00.03	44
H343201802	F060.00.05	12
H343201901	F060.00.04	37
H343202000	F060.00.04	35
H343202301	F060.00.07	21
H343202600	J010.00.01	41
H343202801	F050.00.04	28
H343202801	F060.00.05	3
H343202801	F140.00.01	10
H343202801	F140.01.01	7
H343202801	F150.00.01	10
H343203401	G160.00.01	0
H343203500	J010.00.01	55
H343204100	F060.00.04	32
H343206202	F060.00.08	42
H343206202	F160.00.01	1
H343206202	F160.01.01	2
H343403601	F020.00.01	2

Parça No	Sayfa No	No
Part no	Page No	No
H343403700	F020.00.01	3
H343403802	F020.00.01	4
H343403901	F020.00.01	5
H343404000	F020.00.01	6
H343404601	F020.00.01	7
H343405800	F020.00.01	8
H343409500	A060.00.01	32
H343409500	F020.00.01	9
H343410400	A060.00.01	33
H343410400	F020.00.01	10
H343421101	F020.00.01	11
H343422000	F020.00.01	12
H344104900	B120.00.01	10
H344106800	B120.00.01	11
H344107300	B120.00.01	12
H345001601	D010.00.01	8
H345002100	D050.00.01	15
H345002100	F100.00.01	4
H345104701	D020.00.01	1-4
H345104701	D020.01.01	2-3
H345203701	D050.00.01	11-2
H345302602	D060.00.01	6
H345302602	D060.01.01	6
H345302602	D060.02.01	6
H345302602	D060.03.01	6
H345302602	D060.04.01	6
H345302801	D060.00.01	2
H345302801	D060.01.01	2
H345302801	D060.02.01	2
H345302801	D060.03.01	2
H345302801	D060.04.01	2
H345302900	D060.00.01	4
H345302900	D060.01.01	3
H345302900	D060.02.01	3
H345302900	D060.03.01	3
H345302900	D060.04.01	3
H345303000	D060.00.01	3
H345303000	D060.01.01	4
H345303000	D060.02.01	4
H345303000	D060.03.01	4
H345303000	D060.04.01	4
H345800700	B120.00.01	13
H345801100	B120.00.01	14
H346035700	C020.00.01	4
H346036002	C020.00.01	4-2
H346036301	C020.00.01	4-3
H346036402	C020.00.01	4-1
H346046800	C020.00.01	7-3-3
H346047000	C020.00.01	7-3-1
H346047000	C020.00.01	7-19
H346047200	C020.00.01	7-3-2
H346065001	C040.00.01	81
H346071400	C060.00.01	2
H346116100	C080.00.01	2-2
H346118102	C090.00.01	4
H346200201	C010.00.01	3-1
H346200201	C010.00.01	3-1
H347000501	Y010.00.01	31-1
H347000501	Y010.01.01	31-1
H347000501	Y010.02.01	31-1
H347000501	Y010.03.01	31-1
H347000501	Y010.04.01	31-1



# INDEX

Parça No	Sayfa No	No
Part no	Page No	No
H347000600	D060.00.01	5
H347000600	D060.01.01	5
H347000600	D060.02.01	5
H347000600	D060.03.01	5
H347000600	D060.04.01	5
H347000600	D060.05.01	3
H347000801	Y010.00.01	4
H347000801	Y010.01.01	4
H347000801	Y010.02.01	4
H347000801	Y010.03.01	4
H347000801	Y010.04.01	4
H347000901	Y010.00.01	5
H347000901	Y010.01.01	5
H347000901	Y010.02.01	5
H347000901	Y010.03.01	5
H347000901	Y010.04.01	5
H347001104	Y010.00.01	6
H347001104	Y010.01.01	6
H347002400	Y010.00.01	31-12
H347002400	Y010.01.01	31-12
H347002400	Y010.02.01	31-12
H347002400	Y010.03.01	31-12
H347002400	Y010.04.01	31-12
H347004300	Y010.00.01	31-3
H347004300	Y010.01.01	31-3
H347004300	Y010.02.01	31-3
H347004300	Y010.03.01	31-3
H347004300	Y010.04.01	31-3
H347007700	Y010.00.01	31-19
H347007700	Y010.01.01	31-19
H347007700	Y010.02.01	31-19
H347007700	Y010.03.01	31-19
H347007700	Y010.04.01	31-19
H347007801	Y010.00.01	31-20
H347007801	Y010.01.01	31-20
H347007801	Y010.02.01	31-20
H347007801	Y010.03.01	31-20
H347007801	Y010.04.01	31-20
H347007900	Y010.00.01	31-21
H347007900	Y010.01.01	31-21
H347007900	Y010.02.01	31-21
H347007900	Y010.03.01	31-21
H347007900	Y010.04.01	31-21
H347008000	Y010.00.01	31-22
H347008000	Y010.01.01	31-22
H347008000	Y010.02.01	31-22
H347008000	Y010.03.01	31-22
H347008000	Y010.04.01	31-22
H347008100	Y010.00.01	31-23
H347008100	Y010.01.01	31-23
H347008100	Y010.02.01	31-23
H347008100	Y010.03.01	31-23
H347008100	Y010.04.01	31-23
H347008800	Y010.00.01	23
H347009500	Y010.00.01	31-2
H347009500	Y010.01.01	31-2
H347009500	Y010.02.01	31-2
H347009500	Y010.03.01	31-2
H347009500	Y010.04.01	31-2
H347010500	Y010.00.01	31-24
H347010500	Y010.01.01	31-24
H347010500	Y010.02.01	31-24

Parça No	Sayfa No	No
Part no	Page No	No
H347010500	Y010.03.01	31-24
H347010500	Y010.04.01	31-24
H347015200	Y010.04.01	6
H347016900	Y010.04.01	8
H347018700	Y010.03.01	8
H347018800	Y010.03.01	18
H347027001	Y010.02.01	6
H347050500	Y010.00.01	18
H347050500	Y010.04.01	18
H347050800	Y010.00.01	8
H347051300	Y010.00.01	31-18
H347051300	Y010.01.01	31-18
H347051300	Y010.02.01	31-18
H347051300	Y010.03.01	31-18
H347051300	Y010.04.01	31-18
H347051500	Y010.01.01	18
H347051500	Y010.02.01	18
H347051800	Y010.01.01	8
H347053800	Y010.02.01	8
H347055400	Y010.00.01	16
H347055400	Y010.01.01	16
H347055400	Y010.02.01	16
H347055400	Y010.03.01	16
H347055400	Y010.04.01	16
H347060500	Y010.03.01	6
H348002002	K010.00.01	3
H348002002	K010.00.01	3
H348002401	A020.00.01	21
H348002503	K010.00.01	33
H348002503	K010.00.01	33
H348002801	K010.00.02	13
H348002901	K010.00.02	12
H348003001	K010.00.02	5
H348003304	K010.00.02	10
H348004301	K010.00.02	3
H348004901	K010.00.02	9
H348005101	K010.00.02	31
H348007100	K010.00.01	10
H348007100	K010.00.01	10
H348007200	K010.00.01	14
H348007200	K010.00.01	14
H348007501	K010.00.01	15
H348007501	K010.00.01	15
H348009002	K010.00.02	30
H348009101	K010.00.02	30-1
H348009201	K010.00.02	30-2
H348009401	K010.00.02	30-4
H348015400	K010.00.01	11
H348015400	K010.00.01	11
H348020502	K040.00.01	2
H348021501	K010.00.01	35-3
H348021501	K010.00.01	35-3
H348021801	K010.00.01	1
H348021801	K010.00.01	1
H348023200	K010.00.01	50
H348023200	K010.00.01	50
H348024000	K010.00.02	28
H348024100	K010.00.02	19
H348024200	K010.00.02	20
H348024300	K010.00.02	21
H348025503	K010.00.01	2-1
H348025503	K010.00.01	2-1

Parça No	Sayfa No	No
Part no	Page No	No
H348025504	K010.00.01	2-1
H348025504	K010.00.01	2-1
H348025505	K010.00.01	2-1
H348025505	K010.00.01	2-1
H348025506	K010.00.01	2-1
H348025506	K010.00.01	2-1
H348025507	K010.00.01	2-1
H348025507	K010.00.01	2-1
H348025510	K010.00.01	2
H348025510	K010.00.01	2
H348025511	K010.00.01	2
H348025511	K010.00.01	2
H348025512	K010.00.01	2
H348025512	K010.00.01	2
H348025513	K010.00.01	2
H348025513	K010.00.01	2
H348025514	K010.00.01	2
H348025514	K010.00.01	2
H348025603	K010.00.01	17
H348025603	K010.00.01	17
H348025900	C020.00.01	34
H348025900	C030.00.01	5
H348025900	C030.00.01	5
H348026001	K010.00.01	19
H348026001	K010.00.01	19
H348026101	K010.00.01	32
H348026101	K010.00.01	32
H348026201	K010.00.01	21
H348026201	K010.00.01	21
H348026500	K070.00.01	0
H348026600	K070.00.01	1
H348026600	K080.00.01	1
H348026600	K090.00.01	1
H348026700	F030.00.01	132
H348027000	K090.00.01	0
H348027100	K090.00.01	5
H348027500	K010.00.01	25
H348028000	K010.00.01	40
H348028200	K010.00.01	43
H349002400A	A070.00.01	1-3
H349003254	A070.00.01	3
H349003257	A070.00.01	2
H349004016	Z030.00.02	2
H349004017A	Z050.00.04	2A
H349004018B	Z050.00.04	2B
H349004018C	Z050.00.04	2B
H349004019	Z050.00.01	171
H349004020	Z050.00.01	442
H349004021	Z050.00.01	433
H349004022	Z050.00.04	8B
H349004023	K010.00.02	26
H349004023	Z060.00.06	10
H349004024	K010.00.02	27
H349004024	Z060.00.06	46
H349004031	Z060.00.06	796
H349004032	Z060.00.05	797
H349004032	Z060.00.06	608
H349004034	Z030.00.04	414A
H349004035	Z050.00.02	205
H349004088	Z030.00.02	496
H349004129	Z050.00.04	11
H349004130	Z050.00.04	17

# INDEX

Parça No	Sayfa No	No
Part no	Page No	No
H349004140A	Z050.00.04	1A
H349004142B	Z050.00.04	1E
H349004162	Z020.00.03	263B
H349004162	Z030.00.02	76C
H349004177	Z020.00.04	70
H349004179	Z020.00.03	224
H349004179	Z020.00.07	80B
H349004179	Z020.00.07	98
H349004179	Z020.00.07	418
H349004179	Z030.00.01	29
H349004179	Z030.00.02	362
H349004179	Z040.00.01	40
H349004179	Z040.00.03	82
H349004179	Z040.00.04	47
H349004179	Z040.00.04	379
H349004179	Z060.00.04	24
H349004179	Z070.00.01	20
H349004179	Z070.00.04	12
H349004179	Z070.00.04	681
H349004185	Z020.00.07	36C
H349004186	Z020.00.02	192
H349004187	Z020.00.03	230
H349004192	Z050.00.02	280
H349004192	Z060.00.04	150B
H349004192	Z070.00.05	21B
H349004193	Z020.00.07	36D
H349004193	Z030.00.03	29B
H349004193	Z040.00.04	535A
H349004200	Z020.00.04	23D
H349004205	Z020.00.04	38
H349004205	Z020.00.07	38
H349004206	Z040.00.02	112
H349004211	Z020.00.04	21A
H349004214	Z030.00.04	572
H349004214	Z050.00.03	427
H349004218	Z050.00.02	175
H349004223	Z040.00.03	96
H349004235	Z020.00.05	83
H349004268	Z040.00.02	85
H349004268	Z040.00.02	100
H349004268	Z060.00.04	150A
H349004268	Z060.00.05	782A
H349004294	Z030.00.03	29A
H349004295	Z020.00.07	36F
H349004317A	Z020.00.03	9
H349004332	Z030.00.02	76A
H349004332	Z050.00.02	283A
H349004332	Z070.00.01	13A
H349004340	Z040.00.03	88
H349004346	Z070.00.03	66
H349004357	Z020.00.01	79A
H349004357	Z020.00.03	13
H349004357	Z020.00.07	36B
H349004357	Z030.00.05	295
H349004360	Z030.00.01	194
H349004364	Z040.00.04	93
H349004369	Z050.00.02	199
H349004377	Z050.00.02	110
H349004381	Z020.00.01	79B
H349004389	Z020.00.08	205
H349004393	Z050.00.03	265
H349004395A	Z050.00.02	382

Parça No	Sayfa No	No
Part no	Page No	No
H349004397	Z050.00.01	398
H349004398	Z050.00.01	399
H349004399	Z050.00.04	8A
H349004400	Z050.00.04	94
H349004401	Z050.00.04	56A
H349004402	Z050.00.04	56B
H349004403	Z050.00.04	66
H349004404	Z050.00.04	105
H349004405	Z050.00.04	119
H349004416	Z020.00.04	15
H349004429	Z030.00.04	3
H349004429	Z070.00.01	227
H349004429	Z070.00.04	783
H349004432	Z020.00.03	263A
H349004432	Z020.00.07	36E
H349004432	Z040.00.01	36
H349004434	Z070.00.04	212
H349004441	Z020.00.04	211
H349004441	Z020.00.07	185
H349004441	Z040.00.02	114
H349004441	Z050.00.03	426
H349004441	Z070.00.04	2B
H349004454A	Z070.00.04	782
H349004467	Z060.00.04	483B
H349004472	Z060.00.04	102B
H349004507	Z060.00.02	2
H349004508	Z060.00.02	3B
H349004509	Z060.00.02	3A
H349004510	Z060.00.02	4
H349004511	Z060.00.02	6
H349004512	Z060.00.02	10
H349004513	Z060.00.02	14
H349004516	Z060.00.02	18
H349004518	Z060.00.02	20
H349004519	Z060.00.02	21
H349004520	Z060.00.02	22
H349004521	Z060.00.02	23
H349004523	Z060.00.02	43
H349004525	Z060.00.02	49
H349004526	Z060.00.02	62
H349004527	Z060.00.02	65
H349004528	Z060.00.02	71
H349004529	Z060.00.02	87
H349004530	Z060.00.02	88
H349004531	Z060.00.02	89
H349004533	Z040.00.04	74
H349004533	Z040.00.04	297
H349004534	Z070.00.01	13B
H349004536	Z040.00.04	97
H349004536A	Z040.00.04	97
H349004539	Z040.00.04	117
H349004543	Z040.00.04	522
H349004545	Z040.00.04	535B
H349004552	Z060.00.04	102A
H349004555	Z020.00.04	401
H349004555	Z020.00.06	136
H349004555	Z020.00.07	124
H349004555	Z060.00.05	782B
H349004560	Z020.00.07	36A
H349004560	Z030.00.03	49
H349004560	Z040.00.01	63
H349004560	Z040.00.02	198

Parça No	Sayfa No	No
Part no	Page No	No
H349004560	Z070.00.05	21C
H349004563	Z030.00.01	6
H349004563A	Z030.00.01	6
H349004565	Z030.00.01	369
H349004565A	Z030.00.01	369
H349004566A	A070.00.01	1-4
H349004567A	A070.00.01	1
H349004573	Z050.00.04	9
H349004574	Z050.00.04	69
H349004575	Z050.00.04	106
H349010026	G010.00.01	466
H349010026	G010.00.02	466
H349010028	G010.00.01	490
H349010028	G010.00.04	496
H349010028	G010.00.05	496
H349010048	G010.00.01	808
H349010052	G010.00.01	886
H349010053	G010.00.01	901
H349010054	G010.00.01	953
H349010076	G010.00.02	312
H349010078	G010.00.02	353
H349010079	G010.00.02	354
H349010082	G010.00.02	433
H349010083	G010.00.02	434
H349010086	G010.00.02	700
H349010087	G010.00.01	711
H349010088	G010.00.01	725
H349010088	G010.00.02	725
H349010088	G010.00.04	755
H349010088	G010.00.05	755
H349010089	G010.00.02	732
H349010090	G010.00.02	850
H349010093	G010.00.03	0
H349010094	G010.00.03	311
H349010095	G010.00.03	312
H349010096	G010.00.03	324
H349010097	G010.00.03	325
H349010098	G010.00.03	331
H349010099	G010.00.03	351
H349010100	G010.00.03	361
H349010101	G010.00.03	362
H349010102	G010.00.03	363
H349010103	G010.00.03	801
H349010104	G010.00.03	901
H349010107	G010.00.03	802
H349010123	G010.00.02	355
H349010130	G010.00.02	307
H349010131	G010.00.02	308
H349010132	G010.00.02	309
H349010133	G010.00.02	310
H349010134	G010.00.02	311
H349010135	G010.00.02	351
H349010153	G010.00.04	621
H349010153	G010.00.05	621
H349010156	G010.00.04	651
H349010156	G010.00.05	651
H349010174	G010.00.02	K1
H349015001	G020.00.01	9
H349015001	G020.00.03	9
H349015002	G020.00.01	103
H349015003	G020.00.01	31
H349015003	G020.00.02	31

# INDEX

Parça No	Sayfa No	No
Part no	Page No	No
H349015003	G020.00.03	31
H349015004	G020.00.01	30
H349015004	G020.00.02	30
H349015004	G020.00.03	30
H349015008	G020.00.01	2
H349015008	G020.00.02	2
H349015008	G020.00.03	2
H349015012	G020.00.01	69
H349015012	G020.00.02	69
H349015013	G020.00.01	113
H349015027	G020.00.01	22
H349015027	G020.00.03	22
H349015035	G020.00.01	45
H349015035	G020.00.02	45
H349015035	G020.00.03	45
H349015036	G020.00.02	43
H349015036	G020.00.03	43
H349015045	G020.00.01	68
H349015045	G020.00.02	68
H349015047	G020.00.02	121
H349015048	G020.00.02	120
H349015049	G020.00.02	119
H349015056	G020.00.01	88
H349015063	G020.00.01	109
H349015064	G020.00.01	110
H349015066	G020.00.03	20
H349015068	G020.00.03	5
H349015069	G020.00.03	6
H349015070	G020.00.03	17
H349015071	G020.00.03	16
H349015072	G020.00.03	15
H349015073	G020.00.03	11
H349015074	G020.00.03	12
H349015076	G020.00.01	3
H349015076	G020.00.02	3
H349015076	G020.00.03	3
H349015077	G020.00.02	47
H349015077	G020.00.03	47
H349015079B	G020.00.01	87
H349015081	G020.00.01	49
H349015081	G020.00.02	49
H349015081	G020.00.03	49
H349015087	G020.00.03	10
H349015089	G020.00.01	89
H349015090	G020.00.01	90
H349015095	G020.00.01	93
H349015096	G020.00.01	92
H349015119	G020.00.03	7
H349015120	G020.00.03	18
H349015121	G020.00.03	8
H349015122	G020.00.03	14
H349015123	G020.00.03	13
H349015139	G020.00.01	98
H349015201	G020.00.01	101
H349015210	G020.00.03	55
H349040010	G160.00.01	1
H349040011	G160.00.01	2
H349040012	G160.00.01	3
H349041013	G150.00.01	2
H349042026	G080.00.01	315
H349042026	G080.00.02	315
H349048001A	G210.00.01	2-1

Parça No	Sayfa No	No
Part no	Page No	No
H349048002	G210.00.01	2-2
H349060015	K010.00.01	25
H349079001	F020.00.01	8-1
H349080050A	A040.00.01	29-1
H349080051B	A040.00.01	29-2
H349080053A	A040.00.01	29-3
H349080054A	A040.00.01	29-4
H349080102	K010.00.02	30-3
H349081001	F020.00.01	7-1
H349081002	F020.00.01	7-2
H349081005	F020.00.01	7-5
H349081007	F020.00.01	7-3
H349084002	A100.00.01	3-1
H349084003	A100.00.01	3-2
H349084004	A100.00.01	1
H349084005	A100.00.01	2
H349084006A	A100.00.01	3
H349084007	A100.00.01	4
H349084009	A100.00.01	7
H349084012A	A100.00.01	11
H349084013	A100.00.01	12
H349084014	A100.00.01	13
H349084015	A100.00.01	14
H349084017	A100.00.01	16
H349084018	A100.00.01	17
H349084019	A100.00.01	17-1
H349084021	A100.00.01	18
H349084022	A100.00.01	19
H349084024	A100.00.01	21
H349084026	A100.00.01	24
H349084027	A100.00.01	25
H349084028	A100.00.01	26
H349084029A	A100.00.01	27
H349084030	A100.00.01	28
H349084031A	A100.00.01	30
H349084032A	A100.00.01	2-1
H349084051	A100.00.01	6
H349084052	A100.00.01	9
H349084053	A100.00.01	15
H349084054	A100.00.01	20
H349084055	A100.00.01	29
H349084056	A100.00.01	10
H349084057	A100.00.01	5
H349084058	A100.00.01	8
H349084059	A100.00.01	22
H349084060	A100.00.01	23
H349089002	K050.00.01	1
H349089101	K050.00.01	2
H349089102	C020.00.01	7-23-9
H349089103	C020.00.01	7-23-10
H349089104	C020.00.01	7-23-11
H349089105	C020.00.01	7-33
H349095112	K010.00.02	4
H349095112	K060.00.01	10
H349095112	K070.00.01	4
H349095112	K080.00.01	4
H349095112	K090.00.01	7
H371128900	B050.00.01	5-8
H371128900	B070.00.01	4-26
H371151400	B100.00.01	40
H371162100	B050.00.01	5-9
H371162100	B070.00.01	4-27

Parça No	Sayfa No	No
Part no	Page No	No
H371211700	B010.00.01	42
H377007200	Y010.00.01	31-16
H377007200	Y010.01.01	31-16
H377007200	Y010.02.01	31-16
H377007200	Y010.03.01	31-16
H377007200	Y010.04.01	31-16
H379038090	G180.01.01	30
H379038090	G180.01.01	36
H379038090	G180.01.02	30
H379038090	G180.01.02	36
H379038090	G180.01.03	30
H379038090	G180.01.03	34
H379038090	G180.01.03	42
H533707000	C110.00.01	2
H900501000	C120.00.01	0
H900501100	C120.00.01	1
H900503300	C130.00.01	0
H900503400	C130.00.01	1
H900503500	C130.00.01	1-1
H900504500	C130.00.01	2
H900508000	C130.01.01	0
H900508100	C130.01.01	1
H900510000	C130.02.01	0
H900511000	C130.02.01	2
H900512000	C130.02.01	1
H900512100	C130.02.01	1-1
H900512500	C120.00.01	2
H900515000	K060.00.01	0
H900515100	K060.00.01	4
H900515200	K060.00.01	3
H900515300	K060.00.01	9
H900516000	K080.00.01	0
H900522101	K100.00.01	1
H900522200	K100.00.01	2
H900522600	K100.00.01	4
H900522701	K100.00.01	5
H900523000	K100.00.01	0
H900527000	C130.01.01	0
H900527500	C130.01.01	1
H900532000	C130.00.01	0
H900532500	C130.00.01	1
H900533000	C130.00.01	2
H900535000	C120.00.01	0
H900535100	C120.00.01	1
H906000000	C010.00.01	0
H906000100	C010.00.01	0
H906002000	C010.00.01	1
H906003000	C010.00.01	1-1
H906007000	C010.00.01	1
H906008000	C010.00.01	1-1
H906008000	C030.00.01	6
H906023800	C020.00.01	93
H906023800	C020.00.01	31
H906024200	C020.00.01	7-8
H906024200	C030.00.01	13-12
H906026000	C020.00.01	7
H906026100	C020.00.01	7-1
H906026200	C030.00.01	90
H906026800	C020.00.01	7-23
H906028200	C020.00.01	7-23-6
H906028300	C020.00.01	7-23-7
H906028400	C020.00.01	7-23-5

# INDEX

Parça No	Sayfa No	No
Part no	Page No	No
H906028500	C020.00.01	7-2
H906028800	C020.00.01	17-3
H906028900	C020.00.01	17-4
H906029000	C020.00.01	7-3
H906029100	C020.00.01	7-3-5
H906029200	C020.00.01	7-3-6
H906029300	C020.00.01	7-4
H906029400	C020.00.01	7-5
H906029500	C020.00.01	7-6
H906029600	C020.00.01	7-20
H906029800	C020.00.01	7-7
H906029800	C020.00.01	7-5
H906029900	C020.00.01	7-8
H906030000	C020.00.01	7-9
H906030000	C020.00.01	8
H906030300	C020.00.01	7-23-8
H906030500	C020.00.01	7-11
H906030600	C020.00.01	7-23-1
H906030700	C020.00.01	7-23-2
H906030800	C020.00.01	7-23-3
H906030900	C020.00.01	7-23-4
H906031000	C020.00.01	9
H906031100	C020.00.01	9-1
H906032000	C020.00.01	9-3
H906032500	C020.00.01	7-3
H906032700	C020.00.01	91
H906032700	C020.00.01	7-21
H906032900	C020.00.01	9-2
H906033500	C040.00.01	10
H906033600	C040.00.01	10-1
H906033700	C040.00.01	10-3
H906033700	C040.00.01	10-3
H906033800	C040.00.01	10-2
H906035400	C020.00.01	12
H906035500	C040.00.01	10-21
H906036500	C030.00.01	13
H906036600	C030.00.01	13-1
H906036700	C030.00.01	13-20
H906036800	C030.00.01	13-21
H906036900	C030.00.01	13-23
H906037000	C030.00.01	13-6
H906037100	C030.00.01	13-22
H906037200	C030.00.01	13-16
H906037200	C030.00.01	13-13
H906037301	C030.00.01	13-12
H906037400	C030.00.01	13-13
H906037500	C030.00.01	13-7
H906037600	C030.00.01	13-8
H906037700	C030.00.01	13-3
H906037801	C030.00.01	13-9
H906038900	C030.00.01	13-18
H906039000	C030.00.01	13-19
H906041600	C020.00.01	7-3-7
H906041700	C020.00.01	7-3-4
H906042000	C030.00.01	14
H906042000	C030.00.01	19-2
H906045000	C020.00.01	15
H906045500	C020.00.01	16
H906046000	C040.00.01	17
H906047000	C030.00.01	19
H906047100	C030.00.01	19-1
H906047200	C020.00.01	20

Parça No	Sayfa No	No
Part no	Page No	No
H906047200	C020.00.01	32
H906047300	C030.00.01	21
H906047600	C030.00.01	22
H906047800	C030.00.01	23
H906047900	C030.00.01	24
H906048000	C030.00.01	25
H906048200	C040.00.01	26
H906048300	C040.00.01	27
H906048400	C040.00.01	28
H906048500	C040.00.01	29
H906048700	C020.00.01	30
H906049000	C030.00.01	31
H906049500	C020.00.01	32
H906049600	C030.00.01	33
H906049700	C030.00.01	34
H906049700	C030.00.01	34
H906049800	C030.00.01	35
H906049800	C030.00.01	35
H906050200	C030.00.01	37
H906050500	C030.00.01	38
H906050700	C040.00.01	39
H906051000	C040.00.01	82
H906051000	C040.00.01	82
H906051100	C040.00.01	82-1
H906051200	C040.00.01	82-2
H906052000	C020.00.01	40
H906052100	C020.00.01	41
H906052500	C040.00.01	42
H906052500	C040.00.01	42
H906053100	C030.00.01	43
H906053500	C030.00.01	44
H906054000	C020.00.01	45
H906054100	C020.00.01	46
H906054200	C020.00.01	47
H906054300	C020.00.01	48
H906054900	C040.00.01	49
H906054900	C040.00.01	49
H906055000	C030.00.01	50
H906056000	C040.00.01	81
H906100100	C010.00.01	2
H906100100	C010.00.01	2
H906101101	C090.00.01	7-1
H906102000	C080.00.01	0
H906102100	C080.00.01	2
H906102200	C070.00.01	4-1
H906102200	C080.00.01	2-3
H906102300	C080.00.01	2-4
H906102400	C080.00.01	2-5
H906102800	C080.00.01	2-6
H906103300	C080.00.01	2-7
H906104200	C070.00.01	4-5-1
H906104200	C080.00.01	2-8
H906104300	C080.00.01	2-9
H906104800	C070.00.01	4-5-2
H906105100	C080.00.01	3
H906105200	C080.00.01	4
H906105300	C080.00.01	5
H906105400	C080.00.01	6
H906105500	C070.00.01	1
H906105500	C080.00.01	7
H906105600	C070.00.01	2
H906105600	C080.00.01	8

Parça No	Sayfa No	No
Part no	Page No	No
H906105700	C030.00.01	83
H906105700	C040.00.01	98
H906105700	C070.00.01	3
H906105700	C080.00.01	9
H906105900	C080.00.01	2-10
H906107400	C070.00.01	0
H906107500	C070.00.01	4
H906107600	C070.00.01	4-2
H906108000	C070.00.01	4-3
H906108700	F060.00.03	8
H906109400	C070.00.01	4-5
H906109400	C080.00.01	2-11
H906109700	C070.00.01	4-6
H906109800	C070.00.01	4-7
H906110500	C070.00.01	5
H906110600	C070.00.01	6
H906110700	C070.00.01	7
H906110800	C070.00.01	8
H906110900	K010.00.01	36
H906110900	K010.00.01	36
H906112000	C070.00.01	9
H906112300	C070.00.01	10
H906112400	C080.00.01	10
H906112500	C080.00.01	10-1
H906112600	C080.00.01	10-2
H906112700	C080.00.01	10-3
H906113700	K010.00.01	35-1
H906113700	K010.00.01	35-1
H906114100	K010.00.01	35-2
H906114100	K010.00.01	35-2
H906115000	C050.00.01	10
H906115100	C050.00.01	10-1
H906115200	C050.00.01	10-2
H906115300	C050.00.01	10-3
H906115300	C050.00.01	10-5
H906115400	C050.00.01	10-4
H906115500	C050.00.01	10-5
H906115600	C090.00.01	11
H906115700	C050.00.01	12
H906115700	C050.00.01	12
H906115900	C050.00.01	10
H906116000	C050.00.01	13
H906116000	C050.00.01	13
H906116400	C030.00.01	84
H906116400	C040.00.01	97
H906117000	C060.00.01	14
H906117000	C060.00.01	14
H906117100	C060.00.01	14-1
H906117200	C060.00.01	14-2
H906117300	C060.00.01	14-3
H906117400	C060.00.01	14-4
H906117500	C060.00.01	14-5
H906117600	C060.00.01	15
H906117600	C060.00.01	15
H906117700	C060.00.01	16
H906118100	C060.00.01	17
H906118200	C060.00.01	18
H906118300	C060.00.01	19
H906118500	C060.00.01	14-6
H906119200	C060.00.01	21
H906119300	C060.00.01	22
H906119300	C060.00.01	22

# INDEX

Parça No	Sayfa No	No
Part no	Page No	No
H906119400	C050.00.01	23
H906119400	C050.00.01	23
H906119500	C050.00.01	24
H906119600	C050.00.01	25
H906119600	C050.00.01	25
H906119800	C060.00.01	20
H906120000	C060.00.01	26
H906120500	C060.00.01	20
H906123500	C110.00.01	6
H906124100	C080.00.01	2-17
H906124200	C080.00.01	K
H906124300	C080.00.01	2-17-1
H906124400	C080.00.01	2-17-4
H906124500	C070.00.01	4-5-3
H906124800	C080.00.01	2-12
H906125000	C070.00.01	4-5-4
H906125102	C070.00.01	4-9
H906125102	C080.00.01	2-13
H906125200	C070.00.01	4-10
H906125200	C080.00.01	2-14
H906125300	C080.00.01	2-15
H906125400	C080.00.01	2-16
H906126500	C080.00.01	2-17-3
H906127100	C080.00.01	2-18
H906127300	C080.00.01	2-17-2
H906129501	C060.00.01	27
H906129701	C060.00.01	28
H906130002	C060.00.01	29
H906130002	C060.00.01	29
H906131000	C080.00.01	2-17-5
H906131500	C080.00.01	2-19
H906131600	C080.00.01	2-20
H906131701	C080.00.01	2-21
H906131800	C080.00.01	2-22
H906132600	C060.00.01	5
H906132600	C060.00.01	5
H906133100	C080.00.01	2-23
H906133500	C070.00.01	11
H906133500	C080.00.01	11
H906133900	C080.00.01	12
H906134000	C080.00.01	12-1
H906134100	C070.00.01	12-3-1
H906134100	C080.00.01	12-1-1
H906134700	C070.00.01	12-1
H906134700	C080.00.01	12-2
H906135000	C080.00.01	12-1-2
H906135500	C070.00.01	12-3-2
H906135500	C080.00.01	12-1-3
H906135600	C070.00.01	12-3-3
H906135600	C080.00.01	12-1-4
H906135700	C070.00.01	12-3-4
H906135700	C080.00.01	12-1-5
H906135800	C070.00.01	12-3-5
H906135800	C080.00.01	12-1-6
H906135900	C070.00.01	12-3-6
H906135900	C080.00.01	12-1-7
H906136000	C080.00.01	12-3
H906136100	C070.00.01	12-2
H906136500	C070.00.01	12
H906136600	C070.00.01	12-3
H906136800	C070.00.01	12-3-7
H906137700	C080.00.01	13

Parça No	Sayfa No	No
Part no	Page No	No
H906138000	C090.00.01	7-10
H906138100	C040.00.01	36
H906138500	C060.00.01	33
H906138500	C060.00.01	33
H906138801	C060.00.01	35
H906138801	C060.00.01	35
H906139000	C060.00.01	50
H906139000	C060.00.01	50
H906139500	C100.00.01	0
H906139700	C090.00.01	64
H906140800	C060.00.01	34
H906141300	C060.00.01	6
H906141300	C060.00.01	6
H906142000	C060.00.01	62
H906142000	C060.00.01	62
H906142200	C060.00.01	63
H906142200	C060.00.01	63
H906143100	C050.00.01	10-1
H906143200	C050.00.01	10-2
H906143300	C050.00.01	10-3
H906143400	C050.00.01	10-4
H906143500	C060.00.01	17
H906143600	C060.00.01	18
H906143700	C050.00.01	24
H906144100	C060.00.01	21
H906144300	C020.00.01	7-6
H906144400	C020.00.01	7-7
H906144500	C020.00.01	24
H906144600	C020.00.01	25
H906144700	C040.00.01	29
H906144800	C040.00.01	26
H906144900	C040.00.01	18-1
H906150000	C010.00.01	2
H906161701	C070.00.01	4-11
H906190400	C090.00.01	7-8
H906190500	C090.00.01	7-5
H906191000	C090.00.01	7
H906195000	C010.00.01	3
H906195100	C010.00.01	3-1
H906195200	C010.00.01	3-7
H906195300	C010.00.01	3-8
H906195400	C010.00.01	3-9
H906196000	C010.00.01	3
H906196100	C010.00.01	3-2
H906196200	C010.00.01	3-3
H906197500	C010.00.01	3
H906200000	C010.00.01	0
H906200100	C010.00.01	1
H906201000	C010.00.01	1-1
H906203000	C040.00.01	36
H906211800	C060.00.01	27
H906213500	C020.00.01	14
H906214100	C020.00.01	10
H906214200	C020.00.01	10-1
H906214300	C020.00.01	10-2
H906214500	C060.00.01	28
H906215000	C030.00.01	13-19
H906215100	C040.00.01	27
H906215200	C040.00.01	28
H906215500	C040.00.01	17
H906215700	C020.00.01	10-3
H906215800	C020.00.01	10-4

Parça No	Sayfa No	No
Part no	Page No	No
H906217100	C040.00.01	106
H906218000	C030.00.01	49
H906218200	C030.00.01	53
H906218300	C020.00.01	26
H906218400	C040.00.01	18-3
H906218500	C040.00.01	18-2
H906218600	C040.00.01	18-4
H906218700	C040.00.01	18
H906219000	C030.00.01	52
H906220600	C060.00.01	26
H906223600	C020.00.01	9-6
H906230000	C020.00.01	7
H906230100	C020.00.01	17
H906230200	C020.00.01	17-1
H906230300	C020.00.01	17-2
H906230500	C020.00.01	7-1
H906231000	C020.00.01	7-10
H906231100	C020.00.01	7-2
H906231400	C020.00.01	4
H906231600	C020.00.01	7-9
H906231800	C040.00.01	104
H906232400	C020.00.01	8
H906232500	C020.00.01	7-22
H906232600	C020.00.01	7-11
H906232700	C020.00.01	7-12
H906232800	C020.00.01	7-4
H906232900	C020.00.01	36
H906235000	C030.00.01	39
H906240000	C030.00.01	13
H906240100	C030.00.01	13-1
H906240700	C030.00.01	51
H906240900	C030.00.01	41
H906241000	C030.00.01	44
H906241200	C040.00.01	102
H906241300	C040.00.01	100
H906241400	C030.00.01	13-2
H906242000	C030.00.01	13-10
H906242100	C030.00.01	13-8
H906242700	C030.00.01	13-11
H906242800	C040.00.01	39
H906242900	C030.00.01	13-3
H906243000	C020.00.01	9
H906243400	C020.00.01	9-1
H906243500	C020.00.01	9-2
H906243800	C030.00.01	13-4
H906243900	C030.00.01	13-5
H906244000	C020.00.01	11
H906244500	C020.00.01	19
H906245000	C040.00.01	10
H906245100	C040.00.01	10-2
H906245500	C040.00.01	10-1
H906245700	C040.00.01	10-12
H906245800	C040.00.01	10-13
H906245900	C040.00.01	113
H906246100	C040.00.01	10-6
H906246200	C040.00.01	10-9
H906246300	C040.00.01	10-10
H906246400	C040.00.01	10-11
H906246900	C040.00.01	10-7
H906247000	C030.00.01	40
H906247100	C030.00.01	38
H906247200	C030.00.01	13-9

# INDEX

Parça No	Sayfa No	No
Part no	Page No	No
H906247300	C030.00.01	23
H906247400	C030.00.01	25
H906247500	C030.00.01	24
H906247600	C040.00.01	105
H906247900	C040.00.01	110
H906248100	C030.00.01	13-16
H906248600	C030.00.01	33
H906248700	C030.00.01	37
H906249000	C030.00.01	13-6
H906249100	C030.00.01	72
H906249101	C030.00.01	14
H906249200	C030.00.01	47
H906249500	C030.00.01	13-7
H906250200	C020.00.01	11
H906250300	C020.00.01	18
H906250500	C040.00.01	10-19
H906250600	C040.00.01	10-20
H906250700	C030.00.01	54
H906250800	C030.00.01	13-22
H906253100	C040.00.01	117
H906254300	C040.00.01	108
H906255000	C020.00.01	39
H906255400	C020.00.01	38
H906255500	C020.00.01	36
H906255600	C020.00.01	37
H906255700	C040.00.01	118
H907000000	Y010.00.01	31
H907000000	Y010.01.01	31
H907000000	Y010.02.01	31
H907000000	Y010.03.01	31
H907000000	Y010.04.01	31
H907000200	Y010.00.01	31-26
H907000200	Y010.01.01	31-26
H907000200	Y010.02.01	31-26
H907000200	Y010.03.01	31-26
H907000200	Y010.04.01	31-26
H907000300	Y010.00.01	31-11
H907000300	Y010.01.01	31-11
H907000300	Y010.02.01	31-11
H907000300	Y010.03.01	31-11
H907000300	Y010.04.01	31-11
H907000500	Y010.00.01	31-4
H907000500	Y010.01.01	31-4
H907000500	Y010.02.01	31-4
H907000500	Y010.03.01	31-4
H907000500	Y010.04.01	31-4
H907000600	Y010.00.01	31-5
H907000600	Y010.01.01	31-5
H907000600	Y010.02.01	31-5
H907000600	Y010.03.01	31-5
H907000600	Y010.04.01	31-5
H907000700	Y010.00.01	31-6
H907000700	Y010.01.01	31-6
H907000700	Y010.02.01	31-6
H907000700	Y010.03.01	31-6
H907000700	Y010.04.01	31-6
H907000800	Y010.00.01	31-27
H907000800	Y010.01.01	31-27
H907000800	Y010.02.01	31-27
H907000800	Y010.03.01	31-27
H907000800	Y010.04.01	31-27
H907000900	Y010.00.01	31-28

Parça No	Sayfa No	No
Part no	Page No	No
H907000900	Y010.01.01	31-28
H907000900	Y010.02.01	31-28
H907000900	Y010.03.01	31-28
H907000900	Y010.04.01	31-28
H907001000	Y010.00.01	31-8
H907001000	Y010.01.01	31-8
H907001000	Y010.02.01	31-8
H907001000	Y010.03.01	31-8
H907001000	Y010.04.01	31-8
H907001100	Y010.00.01	31-9
H907001100	Y010.01.01	31-9
H907001100	Y010.02.01	31-9
H907001100	Y010.03.01	31-9
H907001100	Y010.04.01	31-9
H907001200	Y010.00.01	31-10
H907001200	Y010.01.01	31-10
H907001200	Y010.02.01	31-10
H907001200	Y010.03.01	31-10
H907001200	Y010.04.01	31-10
H907001300	Y010.00.01	31-17
H907001300	Y010.01.01	31-17
H907001300	Y010.02.01	31-17
H907001300	Y010.03.01	31-17
H907001300	Y010.04.01	31-17
H907001400	Y010.00.01	31-14
H907001400	Y010.01.01	31-14
H907001400	Y010.02.01	31-14
H907001400	Y010.03.01	31-14
H907001400	Y010.04.01	31-14
H907001600	Y010.00.01	31-13
H907001600	Y010.01.01	31-13
H907001600	Y010.02.01	31-13
H907001600	Y010.03.01	31-13
H907001600	Y010.04.01	31-13
H907001800	D070.00.01	9
H907001900	Y010.00.01	31-7
H907001900	Y010.01.01	31-7
H907001900	Y010.02.01	31-7
H907001900	Y010.03.01	31-7
H907001900	Y010.04.01	31-7
H907002000	F160.00.01	5
H907002100	K100.00.01	7
H907002200	Y010.00.01	31-29
H907002200	Y010.01.01	31-29
H907002200	Y010.02.01	31-29
H907002200	Y010.03.01	31-29
H907002200	Y010.04.01	31-29
H907002300	Y010.00.01	31-30
H907002300	Y010.01.01	31-30
H907002300	Y010.02.01	31-30
H907002300	Y010.03.01	31-30
H907002300	Y010.04.01	31-30
H909060001	C040.00.01	81-1
H909060002	C040.00.01	81-2
H909060003	C040.00.01	81-3
H909060004	C040.00.01	81-4
H909060005	C040.00.01	81-4-1
H909060006	C040.00.01	81-4-2
H909060007	C040.00.01	81-4-3
H909060008	C040.00.01	81-5
H909060009	C040.00.01	81-6
H909065001	C100.00.01	3

Parça No	Sayfa No	No
Part no	Page No	No
H909065002	C100.00.01	4
H909065003	C100.00.01	5
H909065004	C100.00.01	6
H909065005	C100.00.01	8
H909065006	C100.00.01	10
H909065007	C100.00.01	11
H909065008	C100.00.01	12
H909065009	C100.00.01	13
H909065010	C100.00.01	15
H909065011	C100.00.01	19
H909065012	C100.00.01	20
H909065013	C100.00.01	21
H909065014	C100.00.01	22
H909065015	C100.00.01	23
H909065016	C100.00.01	24
H909065017	C100.00.01	25
H909065018	C100.00.01	26
H909065019	C100.00.01	27
H909065020	C100.00.01	28
H909065021	C100.00.01	29
H909065022	C100.00.01	30
H909065023	C100.00.01	31
H909065024	C100.00.01	32
H909065025	C100.00.01	33
H909065026	C100.00.01	34
H909065027	C100.00.01	35
H909065028	C100.00.01	36
H909065029	C100.00.01	37
H909065030	C100.00.01	38
H909065031	C100.00.01	39
H909065032	C100.00.01	40
H909065033	C100.00.01	41
H909065034	C100.00.01	42
H909065035	C100.00.01	43
H909065036	C100.00.01	44
H909065037	C100.00.01	45
H909065038	C100.00.01	18
H909066001	C020.00.01	4-1
H909066002	C020.00.01	4-2
H909066003	C020.00.01	4-3
H909066004	C020.00.01	7-2-1
H909066005	C020.00.01	7-2-2
H909066006	C020.00.01	7-2-3
H909066007	C030.00.01	39-1
H909066008	C030.00.01	39-2
H909066009	C030.00.01	39-3
H909066010	C030.00.01	39-4
H909066011	C030.00.01	39-5
H909066012	C030.00.01	39-6
H909066013	C030.00.01	39-7
H909090000	A070.00.01	1-1
H909090001	A070.00.01	1-2
H909090002	C040.00.01	81-1
H909090003	C040.00.01	81-2
H909090004	C040.00.01	81-3
H909090005	C040.00.01	81-4
H909090023	C040.00.01	81-1-1
H909090024	C040.00.01	81-1-2
H909090025	C100.00.01	2
H909090026	C100.00.01	7
H909090027	C100.00.01	9
H909090028	C100.00.01	14

# INDEX

Parça No	Sayfa No	No
Part no	Page No	No
H909090029	C100.00.01	16
H909090030	C100.00.01	1
H909090031	C100.00.01	17
M112700300	A090.00.01	31
M112700400	A090.00.01	32
M116001100	C040.00.01	3
M116001100	C040.00.01	3
N07C6203900	F040.00.01	25
N16D125101	F030.00.03	89
N16J360104	F030.00.02	90
N16J420102	F030.00.01	91
N16J420102	F070.00.01	15
N16J420102	F070.01.01	15
N16J420102	F070.02.01	15
N16J420102	F070.03.01	21
N16J420102	F070.04.01	21
N16K114205	F080.00.01	28
N16K114205	F080.01.01	28
N16K114205	F080.02.01	28
N16K114205	F080.03.01	21
N16K114205	F090.00.01	26
N16K114205	F090.01.01	21
N16K114341	F030.00.03	93
N16K114341	F050.00.02	22
N16K114341	F050.00.04	51
N16K114341	F060.00.03	14
N16K114341	F060.00.04	14
N16K114341	F060.00.04	30-4
N16K114341	F060.00.05	1
N16K114341	F060.00.07	4
N16K114341	F060.00.08	4
N16K114341	F090.00.01	40
N16K114341	F090.01.01	35
N16K114341	F100.00.01	16
N16K114341	G210.00.01	9
N16K114341	J010.00.01	44
N16K114342	F050.00.02	25
N16K114342	F060.00.05	6
N16K114342	F060.00.07	43
N16K114342	J010.00.01	6
N16K114342	J010.00.01	16
N16K114342	J010.00.01	28
N16K114342	J010.00.01	33
N16K114342	J010.00.01	49
N16K114342	J020.00.01	4
N16K114343	F030.00.01	94
N16K114343	F030.00.03	94
N16K114343	F050.00.02	27
N16K114343	F050.00.03	52
N16K114343	F060.00.04	30-2
N16K114343	F060.00.04	48
N16K114343	F060.00.07	10
N16K114343	F060.00.08	10
N16K114343	H010.00.01	13
N16K114343	H010.00.01	17
N16K114343	J010.00.01	8
N16K114344	A010.00.01	26
N16K114344	F030.00.01	99
N16K114344	F030.00.03	99
N16K114348	F050.00.03	53
N16K114348	F050.00.04	53
N16K114348	F060.00.03	21

Parça No	Sayfa No	No
Part no	Page No	No
N16K114348	F060.00.04	21
N16K114348	F060.00.05	10
N16K114348	F060.00.07	9
N16K114348	F060.00.08	9
N16K114348	F100.00.01	9
N16K114354	J010.00.01	4
N16K114357	F060.00.08	26
N16K114391	F060.00.05	8
N16K130123	F030.00.03	12
N16K130123	F050.00.04	54
N16K130124	F030.00.03	57
N16K130124	F050.00.04	55
N16K130124	F050.00.05	10
N16K130124	F050.00.06	8
N16K130126	F030.00.02	40
N16K130126	F080.00.01	35
N16K130126	F080.01.01	35
N16K130126	F080.02.01	35
N16K130126	F080.03.01	30
N16K130126	F090.00.01	52
N16K130126	F090.01.01	30
N16K130134	F090.00.01	14
N16K130134	F090.01.01	44
N16K130135	D080.00.01	8
N16K130135	F030.00.02	49
N16K130135	F030.00.03	14
N16K130136	F030.00.02	96
N16K130136	F080.03.01	44
N16K130136	F090.00.01	13
N16K130136	F090.01.01	43
N16K130138	F030.00.03	47
N16K130139	F030.00.02	97
N16K130140	F030.00.02	98
N16K130141	F030.00.02	87
N16K200302	J020.00.01	12
N16K200303	F050.00.02	26
N16K200321	F050.00.04	56
N16K200321	F100.00.01	20
N16K200321	F140.00.01	11
N16K200321	F140.01.01	8
N16K214453	J020.00.01	16
N16K214454	F060.00.07	35
N16K214460	F050.00.02	20
N16K214460	F050.00.03	57
N16K220455	F050.00.03	58
N16K250300	F050.00.04	59
N16K310365	F060.00.03	4
N16K310373	H010.00.01	15
N16K440300	E010.00.01	30
N16K440301	F120.01.01	1
N16K440304	F030.00.03	13
N16K520107	F060.00.07	27
N16K520107	J010.00.01	39
N16K520203	A060.00.01	68
N16K550303	J010.00.01	21
N16K550305	H010.00.01	4
N16K550306	H010.00.01	6
N16K550310	F140.00.01	8
N16K550310	F140.01.01	20
N16K550310	F150.00.01	5
N16K550310	F150.01.01	6
N16K550312	F140.00.01	6

Parça No	Sayfa No	No
Part no	Page No	No
N16K600304	F030.00.02	38
N16K600304	F070.03.01	24
N16K600304	F070.04.01	24
N16K600304	F080.00.01	34
N16K600304	F080.01.01	34
N16K600304	F080.02.01	34
N16K600304	F080.03.01	26
N16K600304	F090.00.01	31
N16K600304	F090.01.01	26
N16M041000	F160.00.01	2
N16N730003	F030.00.01	43
N16N910001	F060.00.04	29
N16N910001	F060.00.05	5
N16N910001	F100.00.01	35
N16N910002	F050.00.02	11
N16N910002	J010.00.01	18
N16R020202	F060.00.05	9
N16R040606	F030.00.03	97
N16T020202	F060.00.03	20
N16T020202	F060.00.04	20
N16T020202	F060.00.05	4
N16T020202	F140.01.01	21
N16T020202	F150.01.01	4
N16X120001	F040.00.01	31
N16X120002	F020.00.01	24
N16X120002	F030.00.03	8
N16X120003	F040.00.01	32
N16X120003	F060.00.04	30-6
N16X120004	F040.00.01	33
N16X120004	F060.00.04	30-7
N16X120004	F060.00.08	12
N16X120004	F100.00.01	28
N16X181002	A060.00.01	69
N16X683001	G190.00.01	30
N9945C0800	A060.00.01	70
N010000008	C040.00.01	18-10
N010221442	K010.00.01	45
N010221478	B015.00.01	1-5
N010221478	B030.00.01	22-9
N010221478	B120.00.01	3-11
N010221478	B120.00.01	4-11
N010221478	K010.00.02	14
N010221497	C020.00.01	28
N010221514	K120.00.01	5
N010222078	A060.00.01	38
N010222078	D020.00.01	1-9
N010222078	D020.01.01	2-8
N010222078	F080.00.01	48
N010222078	F080.01.01	48
N010222078	F080.02.01	48
N010222078	F080.03.01	42
N010222078	F090.00.01	61
N010222078	F090.01.01	62
N010222078	F120.01.01	10
N010222078	K010.00.01	46
N010222078	K090.00.01	2
N010222090	C020.00.01	27
N010222120	A060.00.01	39
N010222120	C020.00.01	22
N010222120	C040.00.01	53
N010222138	C020.00.01	51
N010222138	C030.00.01	45

# INDEX

Parça No	Sayfa No	No
Part no	Page No	No
N010222138	C040.00.01	10-8
N010222138	C040.00.01	18-7
N010222138	F060.00.04	50
N010222462	C020.00.01	15
N010222486	F100.00.01	29
N010231478	A090.00.01	33
N010231478	C020.00.01	52
N010231478	C030.00.01	48
N010231478	C060.00.01	65
N010231478	K010.00.01	41
N010231478	K010.00.01	44
N010231514	C060.00.01	43
N010231514	C060.00.01	43
N010232078	A010.00.01	14
N010232078	A040.00.01	33
N010232078	A090.00.01	34
N010232078	B120.00.01	15
N010232078	C040.00.01	53
N010232078	C040.00.01	85
N010232078	E010.00.01	16
N010232078	F060.00.03	10
N010232078	K010.00.01	51
N010232078	K010.00.01	51
N010232078	K010.00.02	7
N010232114	A060.00.01	40
N010232114	B030.00.01	22-10
N010232114	B070.00.01	4-28
N010232114	B070.00.01	41
N010232114	B100.00.01	41
N010232114	F090.00.01	35
N010232114	F090.01.01	45
N010232114	K010.00.01	41
N010232124	A020.00.01	11
N010232124	A030.00.01	13
N010232124	A040.00.01	34
N010232138	A020.00.01	12
N010232138	A040.00.01	35
N010232138	A090.00.01	35
N010232138	B050.00.01	5-10
N010232138	B070.00.01	4-29
N010232138	B070.00.01	42
N010232138	B100.00.01	42
N010232138	B120.00.01	4-12
N010232138	C130.01.01	2
N010232138	F060.00.03	19
N010232138	F060.00.04	19
N010232140	A090.00.01	36
N010232140	C030.00.01	13-24
N010232140	F090.00.01	33
N010232140	F090.01.01	49
N010232162	C080.00.01	2-24
N010232162	C130.02.01	3
N010232186	A090.00.01	37
N010232331	A090.00.01	38
N010232402	C110.00.01	7
N010232438	A020.00.01	13
N010232438	A040.00.01	36
N010232438	A060.00.01	41
N010232438	B050.00.01	43
N010232438	B060.00.01	1-4
N010232438	B070.00.01	4-30
N010232438	B080.00.01	31-5

Parça No	Sayfa No	No
Part no	Page No	No
N010232438	B090.00.01	43
N010232438	B180.00.01	12
N010232438	B200.00.01	15
N010232438	C030.00.01	13-24
N010232438	C060.00.01	37
N010232438	F020.00.01	13
N010232438	F050.00.02	31
N010232438	J010.00.01	60
N010232438	K060.00.01	5
N010232440	C020.00.01	7-13
N010232440	C020.00.01	55
N010232440	C020.00.01	7-23
N010232440	C030.00.01	55
N010232462	A090.00.01	39
N010232462	B010.00.01	43
N010232462	B030.00.01	43
N010232462	B050.00.01	5-11
N010232462	B050.00.01	44
N010232462	B070.00.01	4-31
N010232462	B090.00.01	44
N010232462	B100.00.01	26-10
N010232462	B100.00.01	44
N010232462	B110.00.01	44
N010232462	B120.00.01	3-13
N010232462	B120.00.01	4-13
N010232462	B120.00.01	16
N010232462	B200.00.01	16
N010232462	C010.00.01	3-10
N010232462	C010.00.01	3-2
N010232462	C060.00.01	36
N010232462	C060.00.01	38
N010232462	C060.00.01	36
N010232462	F020.00.01	14
N010232462	F060.00.03	25
N010232462	F060.00.04	25
N010232462	F060.00.07	3
N010232464	C020.00.01	7-14
N010232486	A030.00.01	14
N010232486	B010.00.01	44
N010232486	B070.00.01	4-32
N010232486	B180.00.01	13
N010232486	F010.00.01	2
N010232486	F020.00.01	15
N010232486	F060.00.04	36
N010232486	F090.00.01	39
N010232486	F090.01.01	34
N010232498	A030.00.01	15
N010232498	B030.00.01	45
N010232498	B070.00.01	4-33
N010232498	B120.00.01	3-14
N010232498	B120.00.01	4-14
N010232498	B120.00.01	17
N010232498	C010.00.01	3-4
N010232498	C010.00.01	3-3
N010232498	C110.00.01	8
N010232498	C130.00.01	3
N010232510	B200.00.01	17
N010232522	C010.00.01	3-10
N010232522	K120.00.01	9
N010232726	A060.00.01	42
N010232726	F020.00.01	16
N010232798	B010.00.01	46

Parça No	Sayfa No	No
Part no	Page No	No
N010232798	C130.00.01	1-4
N010232798	C130.00.01	3
N010232798	C130.01.01	3
N010232798	C130.02.01	1-3
N010232822	A090.00.01	40
N010232822	B010.00.01	47
N010232822	B030.00.01	47
N010232822	C040.00.01	56
N010232822	C130.01.01	3
N010232822	C130.02.01	7
N010232822	F070.03.01	23
N010232822	F070.04.01	23
N010232846	A040.00.01	37
N010232846	B010.00.01	48
N010232846	B030.00.01	48
N010232846	C090.00.01	40
N010232846	C120.00.01	2
N010232846	D020.00.01	1-5
N010232846	D020.01.01	2-4
N010232846	F040.00.01	14
N010232858	A010.00.01	15
N010232858	A040.00.01	38
N010232858	B010.00.01	49
N010232858	B030.00.01	49
N010232858	B050.00.01	5-12
N010232858	B070.00.01	4-34
N010232858	B090.00.01	45
N010232858	E010.00.01	17
N010232870	F070.00.01	13
N010232870	F070.01.01	13
N010232870	F070.02.01	13
N010232870	F070.03.01	14
N010232870	F070.04.01	14
N010232882	C130.00.01	7
N010232882	C130.00.01	7
N010232882	F070.00.01	8
N010232882	F070.01.01	8
N010232882	F070.02.01	8
N010232882	F070.03.01	15
N010232882	F070.04.01	15
N010232930	C120.00.01	3
N010233530	C010.00.01	3-5
N010233530	D010.00.01	5
N010233530	D030.00.01	5
N010233566	C040.00.01	56
N010233566	F020.00.01	17
N010233578	A060.00.01	43
N010233578	B120.00.01	18
N010233590	F030.00.01	55
N010234502	A010.00.01	16
N010236878	A090.00.01	41
N010370356	F060.00.08	32
N010380302	F060.00.04	28
N010380398	G210.00.01	5
N010380410	J020.00.01	7
N010380434	A090.00.01	42
N010380446	A090.00.01	43
N010380470	F060.00.07	23
N010380494	F050.00.02	5
N010380566	G180.01.01	28
N010380566	G180.01.02	28
N010380650	J010.00.01	42



# INDEX

Parça No	Sayfa No	No
Part no	Page No	No
N010380674	F060.00.04	31
N010380722	J010.00.01	2
N010380746	F050.00.04	29
N010380782	A010.00.01	17
N010380794	A010.00.01	18
N010380795	B010.00.01	50
N010380830	F030.00.02	56
N010380854	A060.00.01	44
N010380890	F030.00.01	57
N010380890	F030.00.02	57
N010380914	F030.00.01	58
N010380914	F030.00.02	58
N010380914	F070.00.01	12
N010380914	F070.01.01	12
N010380914	F070.02.01	12
N010380914	F070.03.01	16
N010380914	F070.04.01	16
N010380914	F080.00.01	11
N010380914	F080.01.01	11
N010380914	F080.02.01	11
N010380914	F080.03.01	9
N010380914	F090.00.01	11
N010380914	F090.01.01	9
N010381008	B180.00.01	14
N010381190	C010.00.01	3-2
N010381226	F030.00.03	59
N010381238	C010.00.01	3-3
N010381238	C010.00.01	3-6
N010381262	A040.00.01	39
N010381262	E010.00.01	18
N010381262	F050.00.04	30
N010381406	D010.00.01	12
N010381406	D030.00.01	9
N010381406	D050.00.01	7
N010381406	D080.00.01	11
N010381406	F100.00.01	6
N010381418	A010.00.01	19
N010381418	D010.01.01	5
N010381754	E010.00.01	31
N010381934	C010.00.01	3-7
N010384684	F050.00.02	2
N010391262	C010.00.01	3-7
N010391752	B180.00.01	15
N010391752	B200.00.01	18
N010391766	B120.00.01	19
N010391872	B120.00.01	20
N010391968	E010.00.01	19
N010480470	E010.00.01	20
N015870014	K010.00.01	13
N015870014	K010.00.01	13
N015870014	K110.00.01	2
N015870026	K010.00.02	11
N015870037	K010.00.01	16
N015870037	K010.00.01	16
N015870134	C060.00.01	42
N015870158	C020.00.01	7-21
N015870158	C030.00.01	57
N015870158	C040.00.01	103
N015870182	C030.00.01	57
N015870182	C080.00.01	2-25
N015870290	B100.00.01	26-11
N015870290	C050.00.01	44

Parça No	Sayfa No	No
Part no	Page No	No
N015870290	C050.00.01	44
N015870290	G210.00.01	1-12
N015870302	A060.00.01	45
N015870302	B030.00.01	51
N015870302	C030.00.01	13-5
N015870302	C060.00.01	42
N015870302	C070.00.01	4-12
N015870302	C080.00.01	2-26
N015870302	C090.00.01	7-2
N015870314	C040.00.01	95
N015870314	C040.00.01	82-3
N015870314	C040.00.01	87
N015870314	F060.00.03	12
N015870314	K100.00.01	6
N015870316	F050.00.02	10
N015870326	C030.00.01	13-17
N015870326	F100.00.01	24
N015870350	C030.00.01	13-20
N015870352	A060.00.01	46
N015870376	F060.00.03	3
N015870434	C040.00.01	58
N015870446	C040.00.01	86
N015870446	C040.00.01	58
N015870446	C070.00.01	13
N015870446	C080.00.01	2-27
N015870446	C080.00.01	14
N015870458	C070.00.01	4-14
N015870458	F100.00.01	12
N015870470	C080.00.01	2-28
N015870470	C090.00.01	7-3
N015870506	F030.00.03	60
N015874142	C080.00.01	2-17-6
N015890326	C040.00.01	10-4
N015890326	C070.00.01	4-15
N015890326	C080.00.01	2-29
N015890350	F060.00.07	17
N015890458	B030.00.01	38-4
N015890458	C040.00.01	87
N015890458	C110.00.01	9
N015890458	F040.00.01	15
N015890470	C090.00.01	7-11
N015890470	J010.00.01	14
N015890518	G220.00.01	4
N015890518	G220.00.02	4
N015890518	G230.00.01	4
N015890518	G230.00.02	4
N015890554	F060.00.07	34
N015890794	F060.00.04	34
N015890794	H010.00.01	2
N015890816	C110.00.01	10
N015890818	B030.00.01	52
N015890830	C070.00.01	4-16
N015890830	C080.00.01	2-30
N015890830	F070.00.01	16
N015890830	F070.01.01	16
N015890830	F070.02.01	16
N015890830	F070.03.01	17
N015890830	F070.04.01	17
N015890830	F140.01.01	14
N015890830	F150.00.01	8
N015890830	F150.01.01	7
N015890830	G220.00.01	5

Parça No	Sayfa No	No
Part no	Page No	No
N015890830	G220.00.02	5
N015890830	G230.00.01	5
N015890830	G230.00.02	5
N015890842	F030.00.01	61
N015890842	F080.00.01	46
N015890842	F080.01.01	46
N015890842	F080.02.01	46
N015890842	F080.03.01	40
N015890842	F090.00.01	59
N015890842	F090.01.01	60
N015890854	A060.00.01	47
N015890854	F140.00.01	14
N015890878	F140.00.01	2
N015890878	F150.00.01	2
N015890878	F160.01.01	3
N015890878	J010.00.01	27
N015890890	F140.01.01	18
N015890902	F040.00.01	16
N015890914	F050.00.04	32
N015890914	G220.00.01	6
N015890914	G220.00.02	6
N015890914	G230.00.01	6
N015890914	G230.00.02	6
N015890926	A060.00.01	48
N015891166	F030.00.01	62
N015891166	F030.00.03	37
N015891166	F040.00.01	17
N015891168	C060.00.01	47
N015891168	C060.00.01	47
N015891178	F030.00.01	63
N015891190	F030.00.02	64
N015891202	F050.00.03	33
N015891250	F080.00.01	43
N015891250	F080.01.01	43
N015891250	F080.02.01	43
N015891250	F080.03.01	37
N015891250	F090.00.01	56
N015891250	F090.01.01	57
N015891310	F050.00.03	34
N015891586	F030.00.01	66
N015891982	F030.00.03	54
N015900878	G190.00.01	38
N015901284	G220.00.01	1-7
N015901284	G220.00.02	1-7
N015901284	G230.00.01	1-7
N015901284	G230.00.02	1-7
N015910494	C090.00.01	7-4
N020000185	C030.00.01	13-26
N020000190	C030.00.01	13-2
N023560158	K120.00.01	6
N023560326	F120.01.01	12
N023570146	C040.00.01	59
N023570146	C060.00.01	52
N023570146	C060.00.01	52
N023570158	B180.00.01	16
N023570158	C060.00.01	66
N023570158	C060.00.01	66
N023570158	F060.00.07	18
N023570182	A020.00.01	14
N023570182	A030.00.01	16
N023570182	B120.00.01	3-15
N023570182	B120.00.01	4-15

# INDEX

Parça No	Sayfa No	No
Part no	Page No	No
N023570182	C130.01.01	4
N023570182	F040.00.01	18
N023570184	C020.00.01	7-19
N023570206	A030.00.01	17
N023570206	A090.00.01	44
N023570206	B030.00.01	53
N023570206	B070.00.01	4-35
N023570206	C020.00.01	61
N023570206	C030.00.01	19-3
N023570206	C030.00.01	61
N023570206	F020.00.01	7-4
N023570206	G180.01.01	42
N023570206	G180.01.02	42
N023570206	K060.00.01	6
N023570242	C130.00.01	10
N023570314	A040.00.01	40
N023570314	D010.00.01	13
N023570314	D010.01.01	6
N023570314	D030.00.01	10
N023570314	D050.00.01	8
N023570314	D080.00.01	12
N023570314	F100.00.01	7
N023570326	E010.00.01	21
N023570350	J020.00.01	13
N023580206	C130.00.01	6
N023580206	C130.00.01	6
N023580374	E010.00.01	22
N023580374	E010.00.01	32
N024770037	B030.00.01	22-11
N025880026	B030.00.01	22-12
N025880026	B060.00.01	1-7
N025880026	B080.00.01	31-6
N025880026	B100.00.01	26-12
N025880026	B120.00.01	3-16
N025880026	B120.00.01	4-16
N025880026	C020.00.01	9-5
N025880026	C020.00.01	21
N025900050	A090.00.01	45
N025900050	C020.00.01	9-4
N025900050	C020.00.01	95
N025900050	C040.00.01	10-16
N025900050	C040.00.01	111
N025900050	C080.00.01	15
N025900062	A090.00.01	46
N025900062	B030.00.01	38-6
N025900062	B120.00.01	3-17
N025900062	B120.00.01	4-17
N025900062	C020.00.01	7-17
N025900062	C040.00.01	18-6
N025900062	C080.00.01	2-31
N025900062	C130.02.01	6
N025900086	B100.00.01	26-13
N025900086	C020.00.01	30
N025900122	B180.00.01	17
N025900182	C010.00.01	3-6
N025900182	C010.00.01	3-8
N025900182	C010.00.01	3-6
N025900242	D060.05.01	4
N025910050	C040.00.01	10-17
N025910062	C040.00.01	10-18
N025910062	G210.00.01	7
N025910086	B120.00.01	3-18

Parça No	Sayfa No	No
Part no	Page No	No
N025910086	B120.00.01	4-18
N025910110	E010.00.01	23
N030000004	F060.00.03	13
N030000009	F050.00.03	36
N030000015	A060.00.01	49
N030000015	F060.00.07	28
N030000015	J010.00.01	38
N030011109	F050.00.03	37
N030020004	A060.00.01	50
N030020004	C060.00.01	56
N030020004	C060.00.01	56
N030020004	K010.00.01	45
N030020004	K010.00.02	16
N030020004	K120.00.01	7
N030020006	C020.00.01	94
N030020006	C040.00.01	10-14
N030020006	C040.00.01	112
N030020011	C090.00.01	7-6
N030020018	C030.00.01	13-25
N030020111	F040.00.01	19
N030020121	B100.00.01	26-14
N030020121	F060.00.04	24
N030020123	F040.00.01	20
N030090011	C020.00.01	62
N030090011	C030.00.01	62
N030090013	B030.00.01	54
N030090013	C040.00.01	10-5
N030090013	C070.00.01	4-17
N030090013	C080.00.01	2-32
N030090013	C090.00.01	7-7
N030090017	C020.00.01	7-18
N030090017	C020.00.01	7-15
N030090017	C040.00.01	63
N030090017	C060.00.01	49
N030090017	C060.00.01	49
N030090017	C090.00.01	7-12
N030090020	C020.00.01	7-12
N030090020	C020.00.01	64
N030090020	C020.00.01	7-18
N030090020	C020.00.01	16
N030090020	C030.00.01	64
N030090027	C040.00.01	65
N030100011	A060.00.01	51
N030100011	B030.00.01	22-13
N030100011	B060.00.01	1-6
N030100011	B080.00.01	31-7
N030100011	B100.00.01	26-15
N030100011	B120.00.01	3-19
N030100011	B120.00.01	4-19
N030100011	C020.00.01	7-20
N030100011	C020.00.01	66
N030100011	C020.00.01	90
N030100011	C040.00.01	10-4
N030100011	C060.00.01	51
N030100011	C060.00.01	51
N030100011	C080.00.01	2-33
N030100011	K010.00.01	48
N030100011	K010.00.01	48
N030100013	A060.00.01	52
N030100013	A090.00.01	47
N030100013	C020.00.01	7-15
N030100013	C020.00.01	67

Parça No	Sayfa No	No
Part no	Page No	No
N030100013	C020.00.01	7-13
N030100013	C020.00.01	9-4
N030100013	C020.00.01	13
N030100013	C030.00.01	13-4
N030100013	C030.00.01	67
N030100013	C030.00.01	13-14
N030100013	C030.00.01	43
N030100013	C040.00.01	67
N030100013	C040.00.01	76
N030100013	F060.00.03	11
N030100013	F060.00.04	11
N030100013	F060.00.07	16
N030100013	K010.00.01	42
N030100016	B030.00.01	22-14
N030100016	C020.00.01	68
N030100016	C030.00.01	13-14
N030100016	C040.00.01	68
N030100016	K010.00.01	52
N030100016	K010.00.01	52
N030100017	B030.00.01	38-5
N030100017	C040.00.01	88
N030100017	C040.00.01	88
N030100017	C130.01.01	5
N030100017	C130.02.01	5
N030100017	K010.00.01	47
N030100017	K090.00.01	4
N030100020	B030.00.01	22-15
N030100020	B120.00.01	21
N030100020	C020.00.01	69
N030100020	C030.00.01	13-10
N030100020	C030.00.01	19-4
N030100020	C030.00.01	69
N030100020	C060.00.01	54
N030100020	C060.00.01	54
N030100020	C070.00.01	4-18
N030100020	C080.00.01	2-34
N030100020	K060.00.01	7
N030100021	C130.00.01	5
N030100021	F100.00.01	30
N030100023	C040.00.01	65
N030100023	C120.00.01	4
N030100023	C130.00.01	1-2
N030100023	C130.00.01	9
N030100023	C130.00.01	5
N030100023	C130.00.01	9
N030100023	C130.02.01	1-2
N030100023	C130.02.01	8
N030100023	D020.00.01	1-7
N030100027	C010.00.01	3-9
N030108001	C070.00.01	4-19
N030108001	C070.00.01	14
N030108001	C080.00.01	2-35
N030108001	C080.00.01	16
N030140017	C020.00.01	23
N030140017	C030.00.01	13-23
N030140017	C030.00.01	46
N030140017	C040.00.01	10-15
N030140017	C040.00.01	18-5
N030140017	C040.00.01	63
N030140017	C040.00.01	67
N030312201	B060.00.01	46
N030312201	B080.00.01	46

# INDEX

Parça No	Sayfa No	No
Part no	Page No	No
N030560001	A020.00.01	15
N030560001	A040.00.01	41
N030560001	B050.00.01	5-14
N030560001	B070.00.01	4-36
N030560001	B070.00.01	47
N030560001	B100.00.01	47
N030560002	A030.00.01	18
N030560002	A040.00.01	53
N030560002	A090.00.01	48
N030560002	B030.00.01	55
N030560002	B050.00.01	5-15
N030560002	B050.00.01	48
N030560002	B070.00.01	4-37
N030560002	B090.00.01	48
N030560002	B100.00.01	48
N030560002	J010.00.01	59
N030560002	K120.00.01	10
N030560004	A010.00.01	20
N030560004	A040.00.01	42
N030560004	B010.00.01	56
N030560004	B050.00.01	5-16
N030560004	B070.00.01	4-38
N030560004	B090.00.01	49
N030560004	C120.00.01	3
N030560004	F030.00.01	68
N030560004	F030.00.02	68
N030560006	A040.00.01	43
N030560006	A060.00.01	53
N030560006	B120.00.01	22
N030780002	B180.00.01	18
N030780002	B200.00.01	19
N030800003	B120.00.01	23
N030800003	B180.00.01	19
N030800003	B200.00.01	20
N030810001	A060.00.01	54
N030810001	A090.00.01	49
N030810001	B010.00.01	57
N030810001	B030.00.01	57
N030810001	C090.00.01	55
N030810001	C130.01.01	6
N030810001	C130.01.01	2
N030810001	D020.01.01	2-6
N030810001	E010.00.01	24
N030810001	F030.00.01	69
N030810001	F030.00.02	69
N030810001	F070.00.01	9
N030810001	F070.01.01	9
N030810001	F070.02.01	9
N030810001	F080.00.01	38
N030810001	F080.01.01	38
N030810001	F080.02.01	38
N030810001	F080.03.01	34
N030810001	J010.00.01	46
N030810002	A010.00.01	21
N030810002	B100.00.01	50
N030810002	C010.00.01	3-4
N030810002	C010.00.01	3-9
N030810002	C010.00.01	3-4
N030810002	E010.00.01	25
N030810002	F020.00.01	18
N030810002	F030.00.01	70
N030810002	F030.00.03	70

Parça No	Sayfa No	No
Part no	Page No	No
N030810002	F050.00.04	38
N030810003	A010.00.01	22
N030810003	D060.05.01	5
N030810003	E010.00.01	26
N030810003	E010.00.01	33
N030810003	F030.00.03	61
N030810005	F050.00.02	3
N030810014	A020.00.01	16
N030810014	A030.00.01	19
N030810014	A040.00.01	44
N030810014	A060.00.01	55
N030810014	A090.00.01	50
N030810014	B070.00.01	4-39
N030810014	B070.00.01	51
N030810014	B100.00.01	51
N030810014	B120.00.01	3-20
N030810014	B120.00.01	4-20
N030810014	B120.00.01	24
N030810014	F050.00.02	6
N030810014	F060.00.03	9
N030810014	F090.00.01	34
N030810014	K010.00.01	42
N030810015	A010.00.01	23
N030810015	A030.00.01	20
N030810015	A040.00.01	45
N030810015	A090.00.01	51
N030810015	B010.00.01	58
N030810015	B030.00.01	58
N030810015	B050.00.01	52
N030810015	B070.00.01	4-40
N030810015	B090.00.01	50
N030810015	B110.00.01	52
N030810015	B120.00.01	3-21
N030810015	B120.00.01	4-21
N030810015	B120.00.01	25
N030810015	B200.00.01	21
N030810015	C010.00.01	3-5
N030810015	C110.00.01	11
N030810015	F020.00.01	19
N030810015	F050.00.02	32
N030810015	F050.00.04	40
N030810015	F060.00.03	33
N030810015	F060.00.04	33
N030810015	F090.00.01	36
N030810015	F090.01.01	46
N031300100	C070.00.01	4-21
N031310007	A060.00.01	56
N031310007	C080.00.01	2-36
N031310008	A060.00.01	57
N031310008	A090.00.01	52
N031310008	B015.00.01	1-6
N031310008	B030.00.01	22-16
N031310008	B120.00.01	3-22
N031310008	B120.00.01	4-22
N031310008	B180.00.01	20
N031310008	C070.00.01	4-20
N031310008	C080.00.01	2-37
N031310008	C090.00.01	7-9
N031310008	F060.00.03	2
N031310008	F060.00.07	15
N031310008	F060.00.08	15
N031310008	K010.00.02	15

Parça No	Sayfa No	No
Part no	Page No	No
N031310008	K120.00.01	8
N031310010	A060.00.01	58
N031310010	B030.00.01	22-17
N031310010	C070.00.01	15
N031310010	C080.00.01	2-38
N031310010	C080.00.01	17
N031310010	C130.01.01	7
N031310010	C130.02.01	4
N031310010	D020.00.01	1-10
N031310010	D020.01.01	2-5
N031310010	E010.00.01	27
N031310010	F030.00.03	72
N031310010	F040.00.01	21
N031310010	F060.00.03	18
N031310010	F060.00.04	18
N031310010	F060.00.07	22
N031310010	F100.00.01	13
N031310010	J010.00.01	15
N031310010	J020.00.01	8
N031310010	K090.00.01	3
N031310011	A030.00.01	21
N031310011	A060.00.01	59
N031310011	B060.00.01	1-3
N031310011	B080.00.01	31-8
N031310011	B100.00.01	26-16
N031310011	B180.00.01	21
N031310011	B200.00.01	23
N031310011	C010.00.01	3-5
N031310011	C010.00.01	3-10
N031310011	C030.00.01	70
N031310011	C060.00.01	57
N031310011	C130.00.01	5
N031310011	F010.00.01	3
N031310011	F030.00.01	73
N031310011	F060.00.07	2
N031310011	F070.00.01	17
N031310011	F070.01.01	17
N031310011	F070.02.01	17
N031310011	F070.03.01	18
N031310011	F070.04.01	18
N031310011	G180.01.01	27
N031310011	G180.01.01	31
N031310011	G180.01.01	33
N031310011	G180.01.01	37
N031310011	G180.01.01	40
N031310011	G180.01.02	27
N031310011	G180.01.02	31
N031310011	G180.01.02	33
N031310011	G180.01.02	37
N031310011	G180.01.02	40
N031310011	G180.01.03	27
N031310011	G180.01.03	31
N031310011	G180.01.03	35
N031310011	G220.00.01	7
N031310011	G220.00.02	7
N031310011	G230.00.01	7
N031310011	G230.00.02	7
N031310011	J010.00.01	3
N031310011	J010.00.01	43
N031310012	C120.00.01	5
N031310012	C130.00.01	1-3
N031310012	C130.00.01	4

# INDEX

Parça No	Sayfa No	No
Part no	Page No	No
N031310012	C130.00.01	8
N031310012	C130.00.01	4
N031310012	C130.00.01	8
N031310012	D020.00.01	1-6
N031310012	F030.00.01	74
N031310012	F070.03.01	19
N031310012	F070.04.01	19
N031310014	C010.00.01	3-8
N031310014	C010.00.01	3-11
N031310014	D010.00.01	6
N031310014	D030.00.01	6
N031310014	F030.00.01	75
N031360009	C110.00.01	12
N031360009	G210.00.01	6
N031360010	C110.00.01	13
N031360010	F040.00.01	22
N031360010	F050.00.04	41
N031360010	F080.00.01	47
N031360010	F080.01.01	47
N031360010	F080.02.01	47
N031360010	F080.03.01	41
N031360010	F090.00.01	60
N031360010	F090.01.01	61
N031360010	F140.00.01	3
N031360010	F140.01.01	15
N031360010	F150.00.01	3
N031360010	F150.01.01	8
N031360010	H010.00.01	3
N031360011	F040.00.01	23
N031360011	F050.00.03	42
N031360011	F080.00.01	44
N031360011	F080.01.01	44
N031360011	F080.02.01	44
N031360011	F080.03.01	38
N031360011	F090.00.01	57
N031360011	F090.01.01	58
N032060013	C020.00.01	7-24
N038010014	F090.01.01	50
N042180374	B010.00.01	59
N042180398	A040.00.01	46
N042180398	B070.00.01	4-41
N043050868	G220.00.01	1-8
N043050868	G220.00.02	1-8
N043050868	G230.00.01	1-8
N043050868	G230.00.02	1-8
N043120450	C070.00.01	4-22
N043120564	C070.00.01	4-5-5
N043120564	C070.00.01	4-23
N043120564	C080.00.01	2-39
N043120754	C080.00.01	2-40
N043700926	C060.00.01	53
N043700926	C060.00.01	53
N043700952	A060.00.01	60
N043700976	C060.00.01	58
N043701298	C060.00.01	14-7
N043721262	C060.00.01	14-8
N043721265	C040.00.01	116
N044061084	C030.00.01	71
N044061108	C030.00.01	72
N044061154	C060.00.01	67
N044061298	C040.00.01	97
N044320110	C080.00.01	18

Parça No	Sayfa No	No
Part no	Page No	No
N044320350	C080.00.01	2-41
N044320362	C020.00.01	7-25
N044320470	B040.00.01	60
N044320484	C020.00.01	73
N044320484	C020.00.01	33
N044320506	C080.00.01	2-42
N044331634	D060.05.01	6
N044720662	C050.00.01	59
N044720662	C060.00.01	59
N049530362	C030.00.01	13-17
N049530362	C040.00.01	114
N049560640	C020.00.01	74
N049560640	C020.00.01	35
N049560640	C030.00.01	71
N049560640	C040.00.01	10-5
N049560838	C020.00.01	7-16
N049560844	C020.00.01	7-17
N049560844	C020.00.01	75
N049560844	C020.00.01	7-16
N049560844	C020.00.01	12
N049560844	C030.00.01	75
N049560844	C030.00.01	50
N049560844	C040.00.01	75
N049560844	C040.00.01	75
N049560846	C020.00.01	76
N049560846	C030.00.01	13-15
N049560856	C020.00.01	7-14
N049561280	C020.00.01	7-22
N049561280	C020.00.01	77
N049561280	C030.00.01	89
N049561280	C040.00.01	107
N049561280	C050.00.01	59
N049561280	C060.00.01	59
N049561280	C090.00.01	59
N049561280	K010.00.01	18
N049561280	K010.00.01	18
N049561284	C020.00.01	78
N049561284	C030.00.01	73
N049561284	C030.00.01	42
N049561284	C060.00.01	68
N049561284	C060.00.01	68
N049561286	K010.00.02	32
N049601622	C070.00.01	16
N049601622	C080.00.01	19
N049601622	C120.00.01	6
N049601826	C070.00.01	17
N049601838	C040.00.01	99
N049601838	C040.00.01	101
N049601838	C040.00.01	109
N049601838	C070.00.01	18
N049601838	C080.00.01	10-4
N049601838	C080.00.01	20
N049601862	C070.00.01	19
N049601862	C080.00.01	21
N049601886	C070.00.01	20
N049601886	C080.00.01	22
N049601886	K010.00.01	49
N049601886	K010.00.01	49
N049601946	C070.00.01	21
N049601946	C080.00.01	23
N050020044	F030.00.01	76
N050020045	D070.00.01	10

Parça No	Sayfa No	No
Part no	Page No	No
N050020051	F080.00.01	31
N050020051	F080.01.01	31
N050020051	F080.02.01	31
N050020051	F080.03.01	24
N050020051	F090.00.01	29
N050020051	F090.01.01	24
N050020090	D070.00.01	11
N050220114	G210.00.01	1-3
N050220131	A090.00.01	53
N050760001	C080.00.01	2-43
N050760002	C030.00.01	13-15
N050760003	C030.00.01	13-11
N050760005	C080.00.01	2-17-7
N051350066	G180.01.01	11
N051350066	G180.01.02	11
N051350056	G220.00.01	1-9
N051350056	G220.00.02	1-9
N051350056	G230.00.01	1-9
N051350056	G230.00.02	1-9
N051350063	G220.00.01	1-10
N051350063	G220.00.02	1-10
N051350063	G230.00.01	1-10
N051350063	G230.00.02	1-10
N061002015	B030.00.01	22-18
N061002530	B060.00.01	53
N061002530	B080.00.01	53
N061002530	B100.00.01	53
N063006042	B200.00.01	24
N063006042	D070.00.01	12
N072012003	F050.00.02	9
N072016003	F100.00.01	23
N074010016	A060.00.01	61
N074010016	F030.00.03	77
N074016027	A030.00.01	22
N074020816	A090.00.01	54
N074022032	A060.00.01	62
N074022032	A090.00.01	55
N074030012	A020.00.01	17
N074040060	C090.00.01	60
N074311214	A020.00.01	18
N074324060	A040.00.01	48
N074325070	A040.00.01	49
N074326080	A020.00.01	19
N074327090	A020.00.01	20
N074521627	A090.00.01	56
N074834567	A040.00.01	50
N074835779	A040.00.01	51
N075221112	A040.00.01	52
N077010908	A060.00.01	63
N077010908	B120.00.01	26
N077010908	D020.00.01	1-8
N077010908	D020.01.01	2-7
N077011008	K010.00.02	6
N077011208	A030.00.01	23
N077011208	E010.00.01	28
N077011408	K010.00.02	6
N077011608	K010.00.02	6
N077011908	K010.00.02	6
N077012208	K010.00.02	6
N077012508	A060.00.01	64
N077012508	A090.00.01	57
N077012508	K010.00.02	6

# INDEX

Parça No	Sayfa No	No
Part no	Page No	No
N077013008	K010.00.02	6
N077013508	K010.00.02	6
N077013508	K010.00.02	6
N077014508	A010.00.01	24
N077121208	F120.01.01	9
N077221208	F120.01.01	8
N078204751	F040.00.01	24
N078205155	A030.00.01	24
N078308591	F030.00.01	78
N081110000	B120.00.01	27
N081110000	B180.00.01	22
N081110000	B200.00.01	25
N081110000	D040.00.01	1-5
N081110000	D040.01.01	1-5
N081110000	D040.02.01	1-7
N081110000	D050.00.01	6
N081110000	D050.00.01	11-5
N081110000	F030.00.03	79
N081110000	F120.00.01	1
N081110000	F120.01.01	2
N081130000	E010.00.01	29
N081210020	D070.00.01	2-3
N081210020	G210.00.01	8
N082061111	B180.00.01	23
N082066121	B180.00.01	24
N082066121	B200.00.01	26
N082071111	D050.00.01	5
N082071131	D050.00.01	9
N082081161	D010.01.01	4
N082081171	D010.01.01	7
N100007030	G220.00.01	1-11
N100007030	G220.00.02	1-11
N100007030	G230.00.01	1-11
N100007030	G230.00.02	1-11
N100303595	G210.00.01	1-10
N100910006	G220.00.01	1-12
N100910006	G220.00.02	1-12
N10091006	G230.00.01	1-12
N10091006	G230.00.02	1-12
N101910009	G220.00.01	1-13
N101910009	G220.00.02	1-13
N101910009	G230.00.01	1-13
N101910009	G230.00.02	1-13
N102000816	F060.00.07	40
N102001024	F040.00.01	26
N102001024	F050.00.02	23
N102001024	F050.00.04	43
N102001024	F060.00.03	16
N102001024	F060.00.04	13
N102001024	F060.00.04	30-5
N102001024	F060.00.05	2
N102001024	F060.00.07	5
N102001024	F060.00.08	5
N102001024	F090.00.01	41
N102001024	F090.01.01	36
N102001024	F100.00.01	17
N102001024	F100.00.01	27
N102001024	J010.00.01	45
N102001024	J010.00.01	56
N102001024	J020.00.01	17
N102001119	F060.00.03	5
N102001216	F030.00.03	80

Parça No	Sayfa No	No
Part no	Page No	No
N102001216	F050.00.04	44
N102001321	F060.00.07	36
N102001322	F050.00.02	24
N102001322	F050.00.03	45
N102001322	F050.00.04	45
N102001322	F050.00.05	8
N102001322	F050.00.06	6
N102001322	F060.00.03	22
N102001322	F060.00.04	22
N102001322	F060.00.05	7
N102001322	F060.00.07	8
N102001322	F060.00.08	8
N102001322	F100.00.01	10
N102001322	G220.00.01	8
N102001322	G220.00.02	8
N102001322	G230.00.01	8
N102001322	G230.00.02	8
N102001322	J010.00.01	7
N102001322	J010.00.01	17
N102001322	J010.00.01	19
N102001322	J010.00.01	29
N102001322	J010.00.01	34
N102001322	J010.00.01	40
N102001322	J010.00.01	54
N102001322	J020.00.01	5
N102001323	F040.00.01	27
N102001527	F050.00.02	21
N102001527	F060.00.07	38
N102001622	H010.00.01	16
N102001723	F060.00.04	49
N102001724	F030.00.01	81
N102001724	F030.00.02	81
N102001724	F030.00.03	81
N102001724	F040.00.01	28
N102001724	F050.00.02	28
N102001724	F050.00.03	46
N102001724	F050.00.04	46
N102001724	F050.00.05	9
N102001724	F050.00.06	7
N102001724	F060.00.04	30-3
N102001724	F060.00.07	11
N102001724	F060.00.08	11
N102001724	F080.00.01	36
N102001724	F080.01.01	36
N102001724	F080.02.01	36
N102001724	F080.03.01	31
N102001724	F090.00.01	53
N102001724	F090.01.01	31
N102001724	H010.00.01	14
N102001724	J010.00.01	5
N102001724	J010.00.01	9
N102001724	J010.00.01	11
N102001803	F030.00.03	82
N102001803	G220.00.01	9
N102001803	G220.00.02	9
N102001803	G230.00.01	9
N102001803	G230.00.02	9
N102001817	D080.00.01	10
N102001817	F030.00.02	83
N102001817	F030.00.03	83
N102001817	F070.00.01	11
N102001817	F070.01.01	11

Parça No	Sayfa No	No
Part no	Page No	No
N102001817	F070.02.01	11
N102001817	F070.03.01	20
N102001817	F070.04.01	20
N102001817	F080.00.01	15
N102001817	F080.01.01	15
N102001817	F080.02.01	15
N102001817	F080.03.01	27
N102002234	F020.00.01	20
N102002317	F050.00.03	47
N102002336	D080.00.01	9
N102002336	F030.00.01	84
N102002336	F030.00.02	84
N102002336	F030.00.03	84
N102002336	F080.00.01	16
N102002336	F080.01.01	16
N102002336	F080.02.01	16
N102002435	F080.00.01	45
N102002435	F080.01.01	45
N102002435	F080.02.01	45
N102002435	F080.03.01	39
N102002435	F090.00.01	58
N102002435	F090.01.01	59
N102002435	F140.01.01	19
N102002435	F150.00.01	7
N102002435	G190.00.01	36
N102002435	G230.00.01	10
N102002435	G230.00.02	10
N102002436	A010.00.01	25
N102002436	F050.00.04	48
N102002436	F080.00.01	49
N102002436	F080.01.01	49
N102002436	F080.02.01	49
N102002436	F080.03.01	43
N102002835	F090.00.01	17
N102002835	F090.01.01	12
N102002835	F090.01.01	53
N102002836	F090.01.01	54
N102002935	G210.00.01	1-14
N102003335	F030.00.03	36
N102003335	F050.00.03	49
N102003335	F070.00.01	18
N102003335	F070.01.01	18
N102003335	F070.02.01	18
N102003335	F160.01.01	4
N102003736	F040.00.01	29
N102005203	G220.00.01	1-14
N102005203	G220.00.02	1-14
N102005203	G230.00.01	1-14
N102005203	G230.00.02	1-14
N102005636	F040.00.01	30
N102005835	G210.00.01	1-11
N102006935	F030.00.01	87
N102009403	G220.00.01	1-15
N102009403	G220.00.02	1-15
N102009603	G230.00.01	1-15
N102009603	G230.00.02	1-15
N102009936	A060.00.01	65
N102016457	F020.00.01	21
N102018003	F050.00.03	50
N102018957	F020.00.01	22
N102022957	F020.00.01	23
N102605301	G220.00.01	1-16

# INDEX

Parça No	Sayfa No	No
Part no	Page No	No
N102605301	G220.00.02	1-16
N102605301	G230.00.01	1-16
N102605301	G230.00.02	1-16
N102610001	G220.00.01	1-17
N102610001	G220.00.02	1-17
N102610001	G230.00.01	1-17
N102610001	G230.00.02	1-17
N102701801	J010.00.01	22
N103476300	G210.00.01	1-13
N103910012	G220.00.01	1-18
N103910012	G220.00.02	1-18
N103910012	G230.00.01	1-18
N103910012	G230.00.02	1-18
N104304010	G210.00.01	1-9
N104700009	G220.00.01	1-19
N104700009	G220.00.02	1-19
N104700009	G230.00.01	1-19
N104700009	G230.00.02	1-19
N104708506	G220.00.01	1-20
N104708506	G220.00.02	1-20
N104708506	G230.00.01	1-20
N104708506	G230.00.02	1-20
N105303807	G210.00.01	1-8
N105506006	D070.00.01	2-4
N105658005	D040.00.01	1-6
N105658005	D040.01.01	1-6
N105658005	D040.02.01	1-5
N105658005	G220.00.01	1-21
N105658005	G220.00.02	1-21
N105658005	G230.00.01	1-21
N105658005	G230.00.02	1-21
N105708408	G220.00.01	1-22
N105708408	G220.00.02	1-22
N105708408	G230.00.01	1-22
N105708408	G230.00.02	1-22
N105708505	D040.00.01	1-7
N105708505	D040.01.01	1-7
N105708505	D040.02.01	1-3
N105708505	D050.00.01	11-4
N105809505	D020.00.01	1-3
N105809505	D020.01.01	1-3
N115220308	A060.00.01	66
N130165200	C040.00.01	80
N130165200	C040.00.01	80
N140020300	F030.00.03	88
N140030200	A060.00.01	67
N140030300	A090.00.01	58
N164500001	F120.00.01	4
N164500001	F120.01.01	13
N173570164	G210.00.01	10
N173570192	F050.00.02	13
N173570192	J020.00.01	11
N183570164	G210.00.01	11
N183570192	F050.00.02	12
N183570192	J020.00.01	10
N200083025	B120.00.01	3-23
N200083025	B120.00.01	4-23
S0643116	E030.00.08	630
S0643116	E040.00.07	630
S9100965	C040.00.01	94
S9100965	C040.00.01	94
S9100967	B030.00.01	61

Parça No	Sayfa No	No
Part no	Page No	No
Y0611340	Y010.00.01	31-15
Y0611340	Y010.01.01	31-15
Y0611340	Y010.02.01	31-15
Y0611340	Y010.03.01	31-15
Y0611340	Y010.04.01	31-15
Y0620272	C020.00.01	9-3
Y0620495	Y010.00.01	31-25
Y0620495	Y010.01.01	31-25
Y0620495	Y010.02.01	31-25
Y0620495	Y010.03.01	31-25
Y0620495	Y010.04.01	31-25