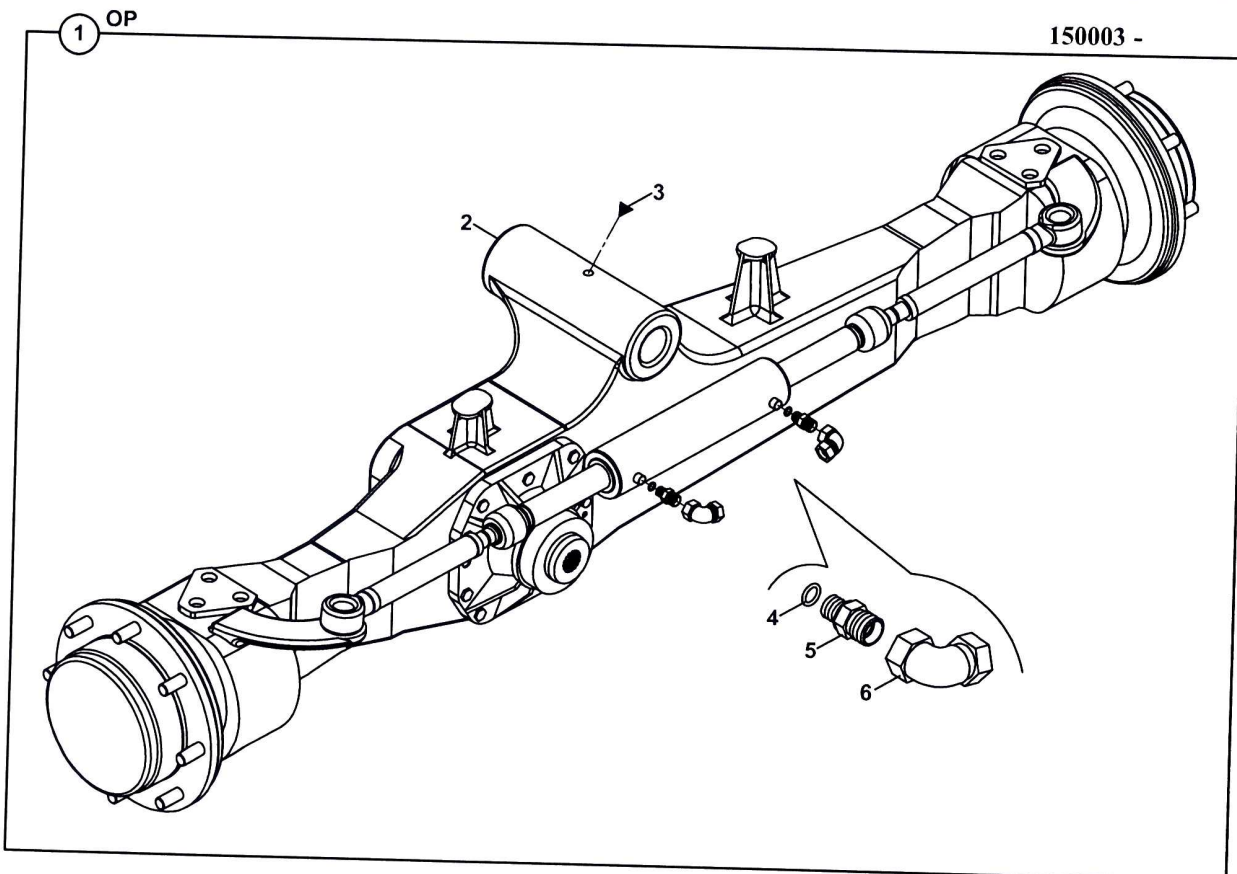
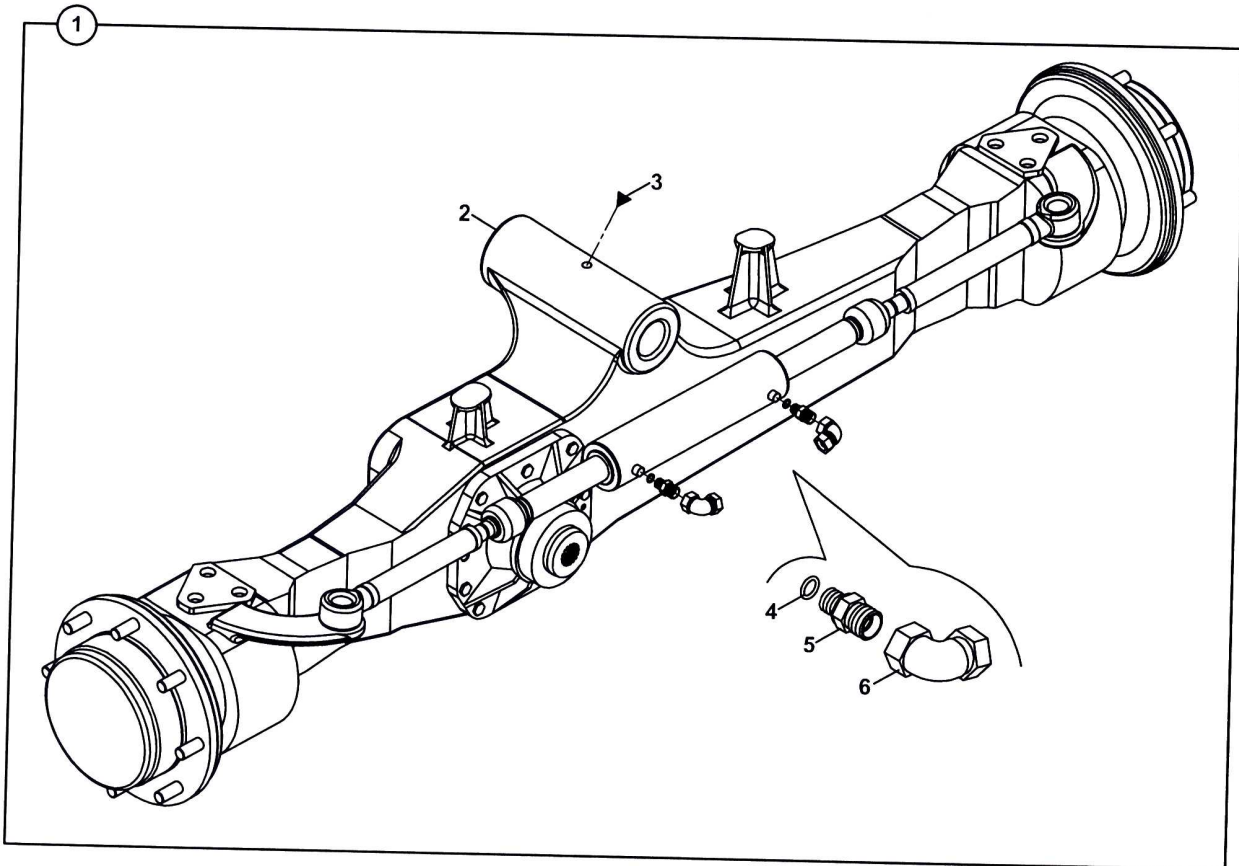


AKS MONTAJI, ÖN (26.22 SD)
AXLE ASSEMBLY, FRONT (26.22 SD)

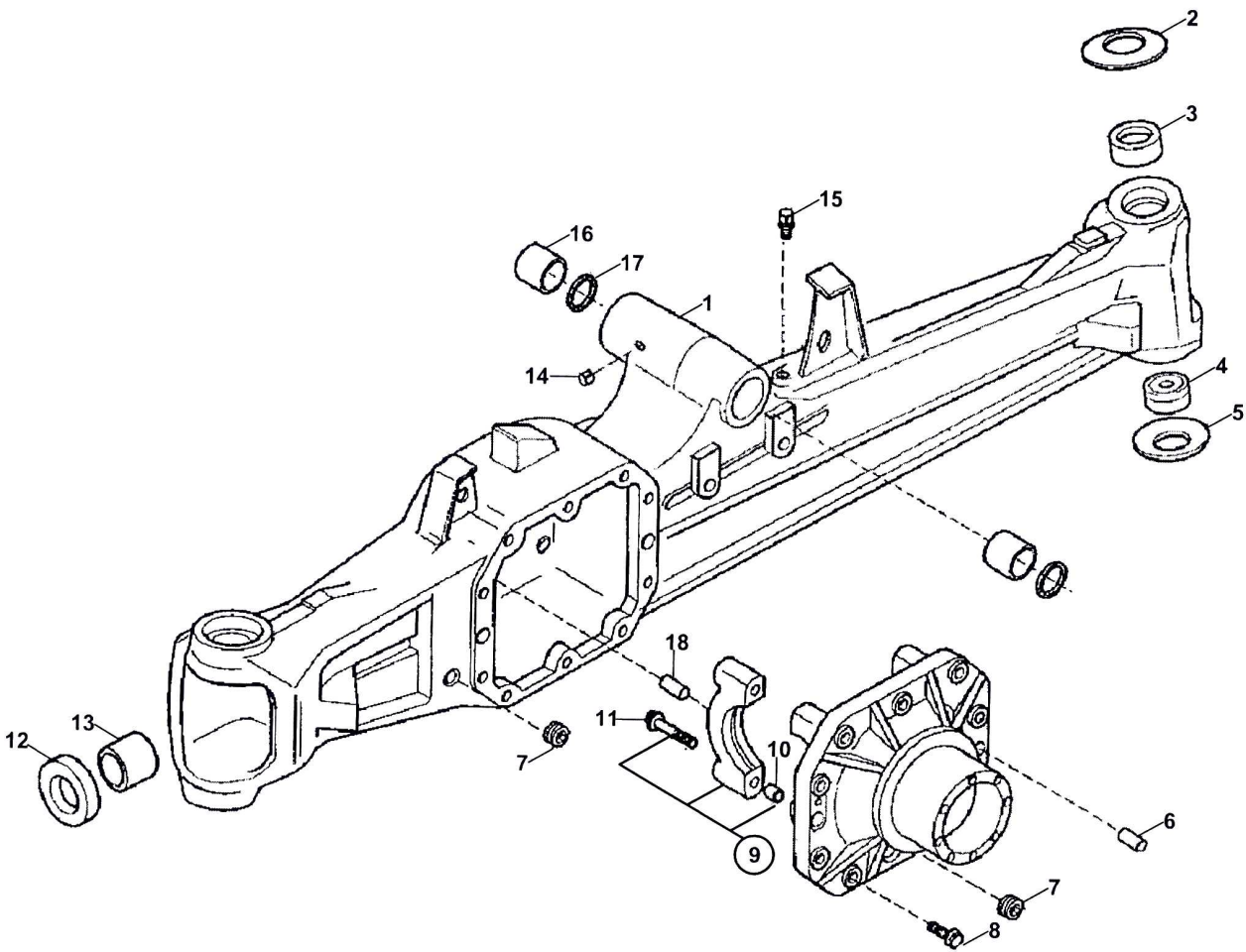


AKS MONTAJI, ÖN (26.22 SD)
AXLE ASSEMBLY, FRONT (26.22)

NO NO	PARÇA NO PART NO	TANIM	DESCRIPTION	ADET QTY	S.K. S.C.	SERİ NO SERIAL NO	D.T. ICA	NOT NOTE
	*V015/24/01				RK			
	*V015/24/11							
1	018/63130	ÖN AKS KOMPLE	AXLE ASSEMBLY. FRONT	1				
	018/63131	ÖN AKS KOMPLE	AXLE ASSEMBLY. FRONT	1		150003 -	OP	(1)
2	F06/15880	ÖN AKS	AXLE, FRONT	1				
	F06/15881	ÖN AKS	AXLE, FRONT	1		150003 -	OP	(1)
3	N08/1130000	GRESÖRLÜK	GREASE NIPPLE	1				
4	N10/2001119	O-RİNG	O-RING	2				
5	806/24019	NIPEL	ADAPTER	2				
6	N16/3750045	RAKOR, DİRSEK	ADAPTER, ELBOW	2				

NOT / NOTE: (1) 102B+PLUS MODELLERDE KULLANILIR./ USED WITH 120B+PLUS MODELS.

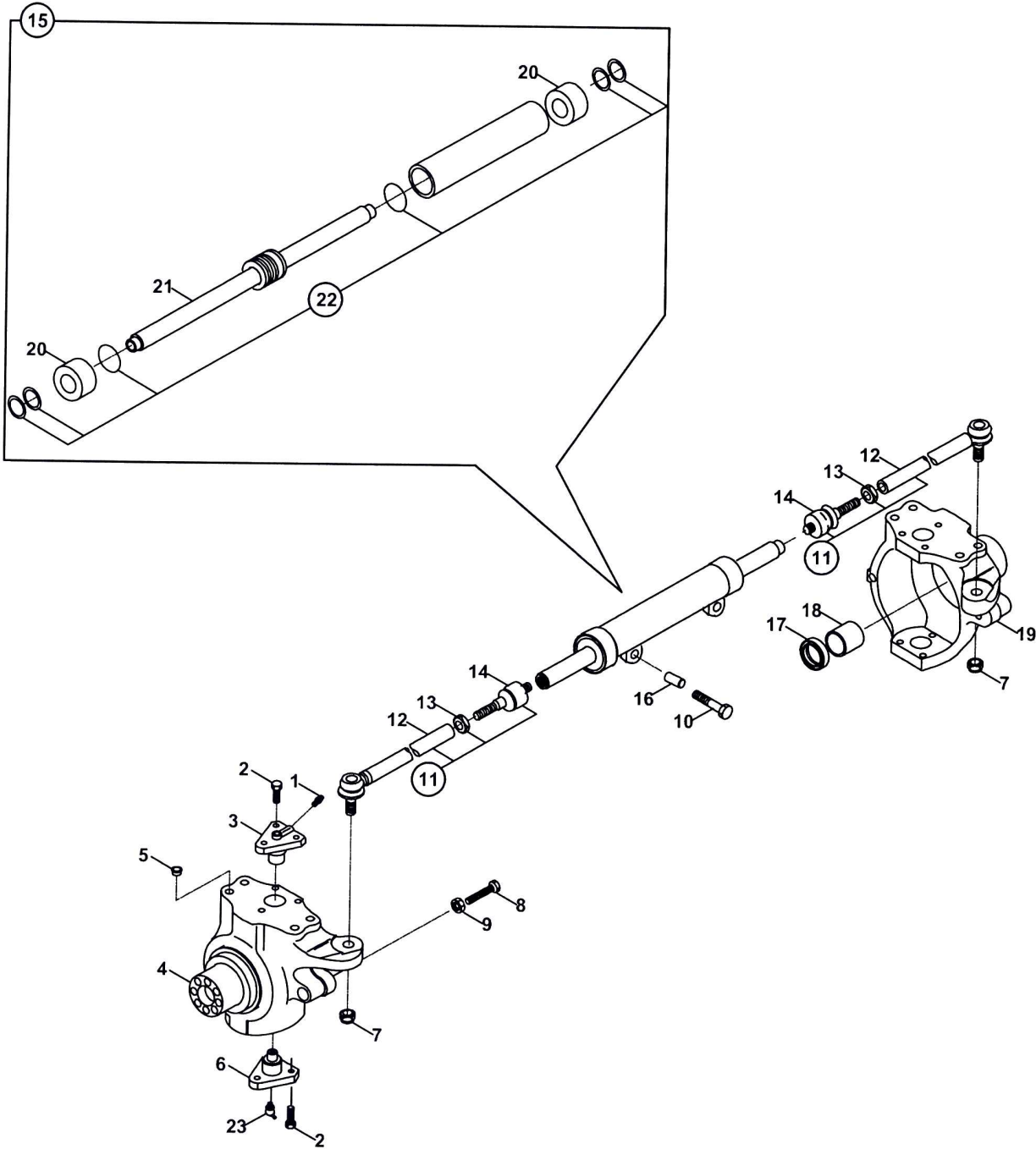
AKS GÖVDESİ, ÖN
AXLE HOUSING



**AKS GÖVDESİ ÖN
AXLE HOUSING**

NO NO	PARÇA NO PART NO	TANIM	DESCRIPTION	ADET QTY	S.K. S.C.	SERİ NO SERIAL NO	D.T. ICA	NOT NOTE
	S06/41700							
1	S06/41546	AKS GÖVDESİ	AXLE HOUSING	1				
2	S06/41348	KONİK PUL	BELLEVILLE WASHER	2				
3	S06/41533	YATAK BURCU	BUSH	2				
4	S06/41216	RULMAN	SPHERICAL BEARING	2				
5	S06/41345	KONİK PUL	BELLEVILLE WASHER	2				
6	S06/40415	PİM, Ø15x35	PIN D15x35	2				
7	S06/40440	TAPA M22x1.5	PLUG M22x1.5	2				
8	S06/41277	CIVATA, M12x33	BOLT M12x33	10				
9	S06/41487	DİFERANSİYEL DESTEĞİ	DIFFERENTIAL SUPPORT	1	K1			
10	S06/40385	MARKEZLEME BURCU	CENTERING BUSH	4	(K1)			
11	S06/41285	CIVATA, M14x75	BOLT M14x75	4	(K1)			
12	S06/41684	YAĞ KEÇESİ	OIL SEAL RING	2				
13	S06/41062	YATAK BURCU	BUSH	2				
14	S06/40088	TAPA, M10x1	PLUG M10x1	1				
15	S06/41018	HAVA DELİĞİ, M10x1	BREATHER M10x1	1				
16	S06/41608	YATAK BURCU 55x68x55	BUSHING 55x68x55	2				
17	S06/41566	YAĞ KEÇESİ	OIL SEAL	2				
18	S06/41149	PİM	PIN D16x40	1				

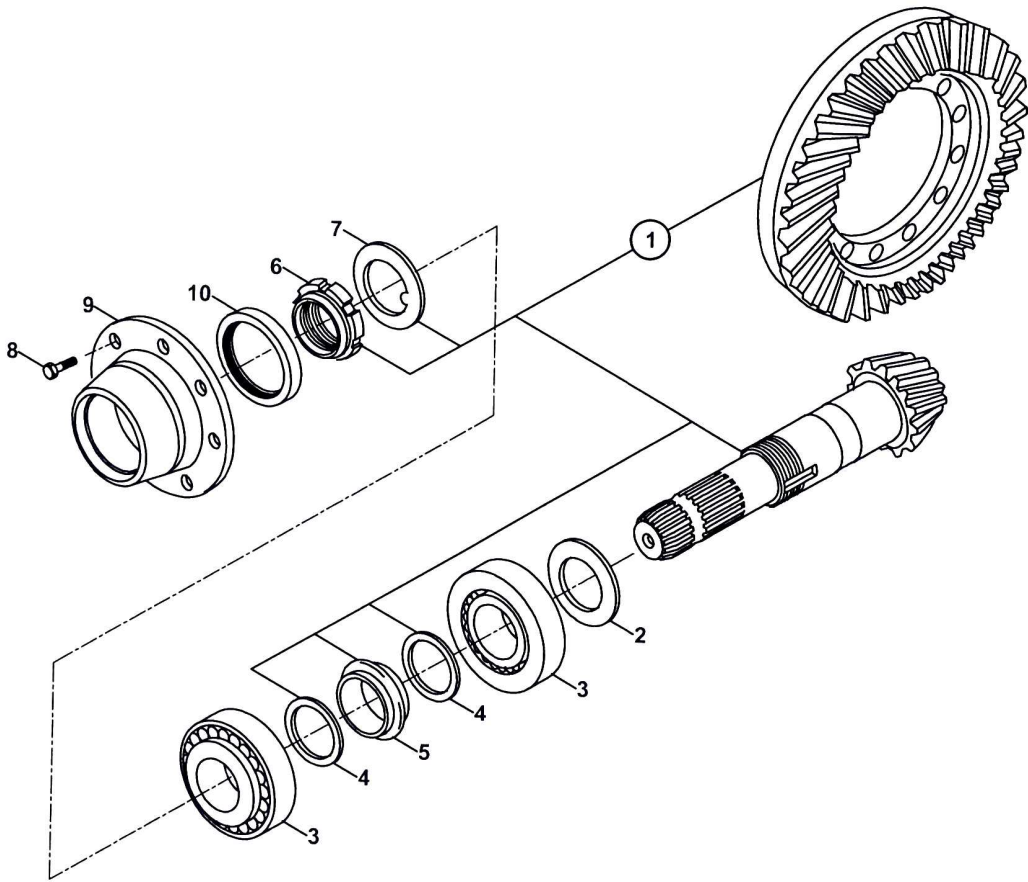
MAFSAL GÖVDESİ VE DİREKSİYON SİLİNDİRİ
 SWIVEL HOUSING AND STEERING CYLINDER



MAFSAL GÖVDESİ VE DİREKSİYON SİLİNDİRİ
SWIVEL HOUSING AND STEERING CYLINDER

NO NO	PARÇA NO PART NO	TANIM	DESCRIPTION	ADET QTY	S.K. S.C.	SERİ NO SERIAL NO	D.T. ICA	NOT NOTE
	S06/41705				RK			
1	S06/40155	GRESÖRLÜK, M6x1	GREASER M6x1	2				
2	S06/41296	CIVATA, M14x35	SCREW M14x35	12				
3	S06/41360	ÖN AKS SAPLAMASI	KING PIN	2				
4	S06/41575	MUYLU GÖVDESİ	LH SWIVEL HOUSING	1				
5	S06/40223	TAPA	PLUG D14.5	8				
6	S06/41361	ÖN AKS SAPLAMASI	KING PIN	2				
7	S06/40131	SOMUN, M20x1.5	NUT M20x1.5	2				
8	S06/41313	CIVATA, M16x75	SCREW M16x75	2				
9	S06/40119	SOMUN, M16	NUT M16	2				
10	S06/41553	CIVATA, M18x95	SCREW M18x95	2				
11	S06/41581	DİREKSİYON KOLU	STEERING ARM	2	K1			
12	S06/41664	GERGİ ÇUBUĞU	TIE ROD	2	(K1)			
13	S06/40377	SOMUN	NUT	2	(K1)			
14	S06/41648	KÜRESEL MAFSAL	BALL JOINT	2	(K1)			
15	S06/41599	DİREKSİYON SİLİNDİRİ	STEERING CYLINDER	1	K2			
16	S06/41502	YATAK BURCU	BUSHING	1				
17	S06/41685	KEÇE	SEAL RING	2				
18	S06/41250	YATAK BURCU	BUSHING	2				
19	S06/41574	MUYLU GÖVDESİ	RH SWIVEL HOUSING	1				
20	S06/40293	SİLİNDİR KAFASI	CYLINDER HEAD	2	(K2)			
21	S06/40303	ROD	ROD	1	(K2)			
22	S06/40294	KEÇE KITI	SEAL KIT	1	(K2)			
23	S06/40156	GRESÖRLÜK	GREASER M6x1	2				

AYNA MAHRUTU DİŞLİ SETİ, ÖN AKS
BEVEL GEAR SET, FRONT AXLE

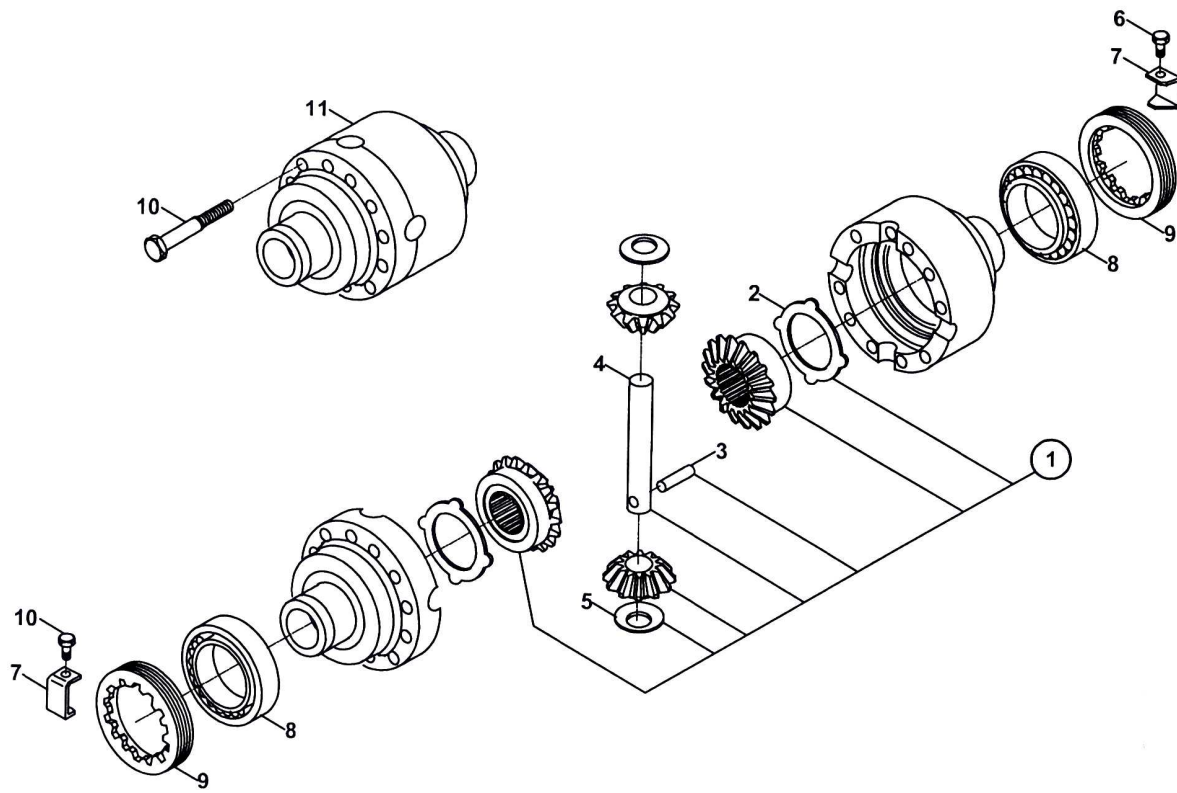


AYNA MAHRUTI DİŞLİ SETİ, ÖN AKS
BEVEL GEAR SET, FRONT AXLE

NO NO	PARÇA NO PART NO	TANIM	DESCRIPTION	ADET QTY	S.K. S.C.	SERİ NO SERIAL NO	D.T. ICA	NOT NOTE
	S06/41710				RK			
1	S06/41711							
	S06/40355	KONİK DİŞLİ SETİ,15/31DİŞ	BEVEL GEAR SET Z15/31	1	K1			
	S06/40356	KONİK DİŞLİ SETİ,14/31DİŞ	BEVEL GEAR SET Z14/31	1	K1	150003 -	OP	(1)
2	S06/41415	ŞİM, 2.5mm	SHIM 2.5 mm	*	GK			
	S06/41416	ŞİM, 2.6mm	SHIM 2.6 mm	*	GK			
	S06/41417	ŞİM, 2.7mm	SHIM 2.7 mm	*	GK			
	S06/41418	ŞİM, 2.8mm	SHIM 2.8 mm	*	GK			
	S06/41419	ŞİM, 2.9mm	SHIM 2.9 mm	*	GK			
	S06/41420	ŞİM,3.0mm	SHIM 3.0 mm	*	GK			
	S06/41421	ŞİM,3.1mm	SHIM 3.1 mm	*	GK			
	S06/41422	ŞİM,3.2mm	SHIM 3.2 mm	*	GK			
	S06/41423	ŞİM,3.3mm	SHIM 3.3 mm	*	GK			
	S06/41424	ŞİM,3.4mm	SHIM 3.4 mm	*	GK			
3	S06/40198	RULMAN	BEARING	2				
4	S06/41279	PUL	WASHER	2	(K1)			
5	S06/41270	ARA HALKASI	COLLAPSIBLE SPACER	1	(K1)			
6	S06/41104	HALKALI SOMUN	RING NUT M40x1.5	1	(K1)			
7	S06/41092	EMNİYET PULU	LOCK WASHER	1	(K1)			
8	S06/40056	CIVATA,M6x16	BOLT M6x16	6				
9	S06/41452	FLANŞ	FLANGE	1				
10	S06/41434	YAĞ KEÇESİ	OIL SEAL RING	1				

NOT / NOTE: (1) 102B+PLUS MODELLERDE KULLANILIR./ USED WITH 120B+PLUS MODELS.

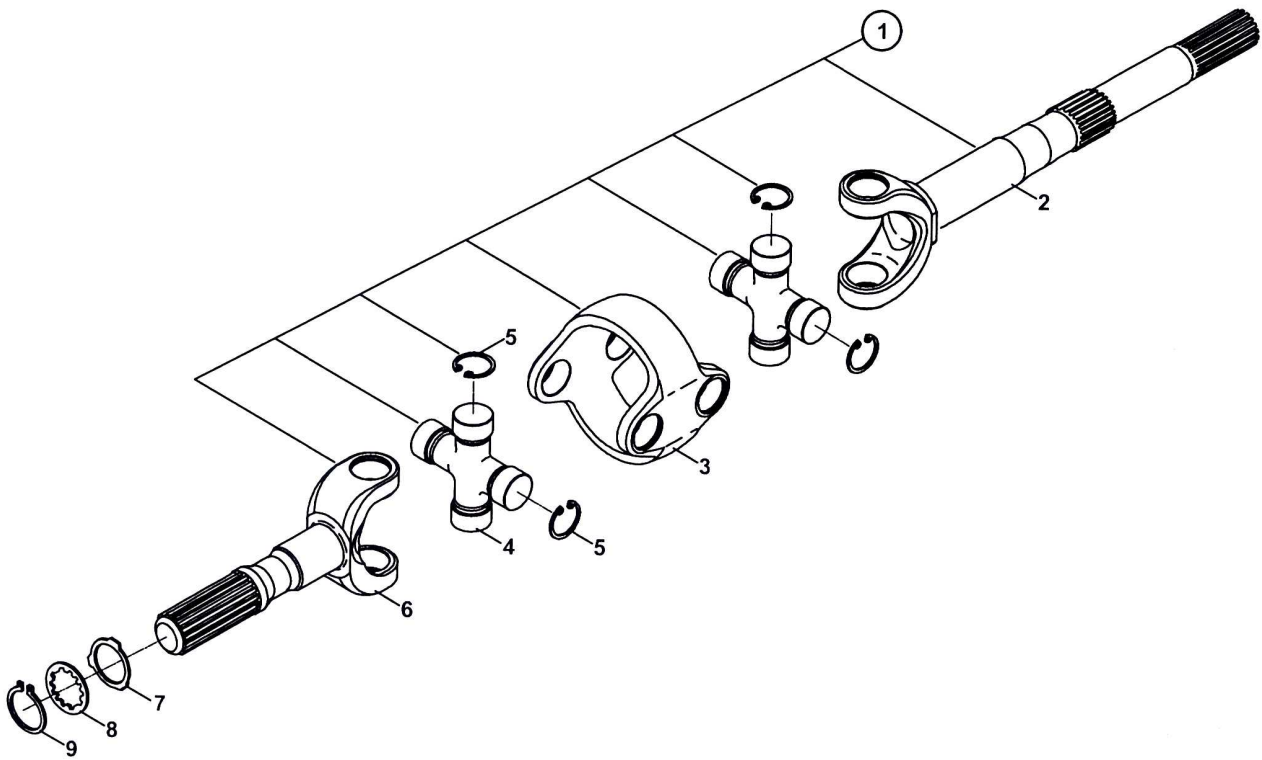
DİFERANSİYEL, ÖN AKS
DIFFERENTIAL, FRONT AXLE



DİFERANSİYEL, ÖN AKS
DIFFERENTIAL, FRONT AXLE

NO NO	PARÇA NO PART NO	TANIM	DESCRIPTION	ADET QTY	S.K. S.C.	SERİ NO SERIAL NO	D.T. ICA	NOT NOTE
1	S06/41715	DİFERANSİYEL KİTİ	DIFFERENTIAL KIT	1	RK			
2	S06/40321	AYAR PULU	THRUST WASHER	2	K1			
3	S06/41201	PİM	PIN D7x40	1	(K1)			
4	S06/41131	ŞAFT	SHAFT	1	(K1)			
5	S06/41121	AYAR PULU	THRUST WASHER	2	(K1)			
6	S06/41330	CİVATA,M6x10	BOLT M6x10	2				
7	S06/41374	EMNİYET PLAKASI	LOCKING PLATE	2				
8	S06/40194	RULMAN	BEARING	2				
9	S06/41040	HALKALI SOMUN	RING NUT	2				
10	S06/41262	CİVATA,M10x75	BOLT M10x75	12				
11	S06/41461	DİFERANSİYEL GÖVDESİ	DIFFERENTIAL HOUSING	1				

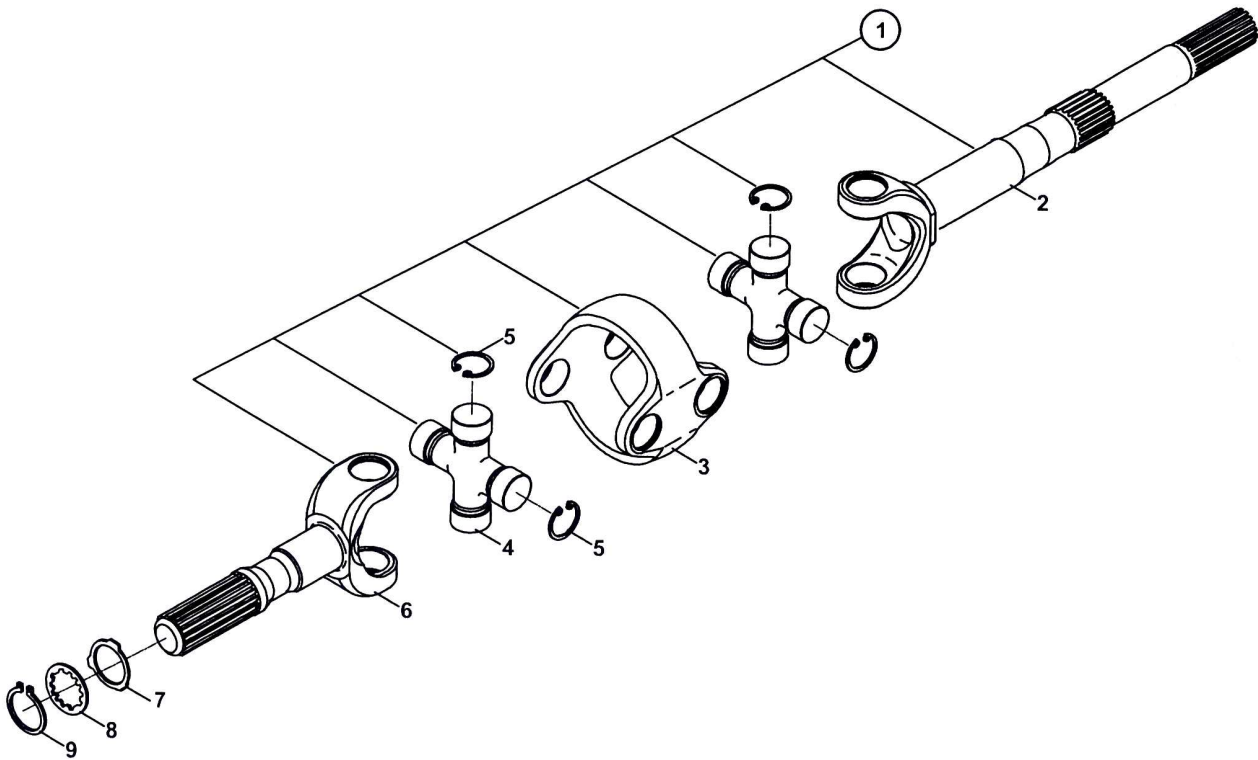
ÇİFTLİ U BAĞLANTI, SAĞ
DOUBLE U JOINT, RIGHT



ÇİFTLİ U BAĞLANTI, SAĞ
DOUBLE U JOINT, RIGHT

NO NO	PARÇA NO PART NO	TANIM	DESCRIPTION	ADET QTY	S.K. S.C.	SERİ NO SERIAL NO	D.T. ICA	NOT NOTE
1	*S06/41720 S06/41590	İKİLİ U-ŞAFT, SAĞ, POYRA	RH DOUBLE U JOINT	1	RK K1			
2	S06/40247	ÇATAL, DİFERANSİYEL TARAFI	FORK (DIFFERENTIAL SIDE)	1	(K1)			
3	S06/40260	MERKEZ GÖVDE	CENTRAL BODY	1	(K1)			
4	S06/40261	İSTAVROZ	SPIDER	2	(K1)			
5	S06/40262	SEGMAN	LOCKRING	8	(K1)			
6	S06/40246	ÇATAL, TEKER TARAFI	FORK (WHEEL SIDE)	1				
7	S06/41405	PUL	WASHER	1				
8	S06/41474	PUL	WASHER	1				
9	F03/30414	TESBİT SEGMANI	SNAP RING D45	1				

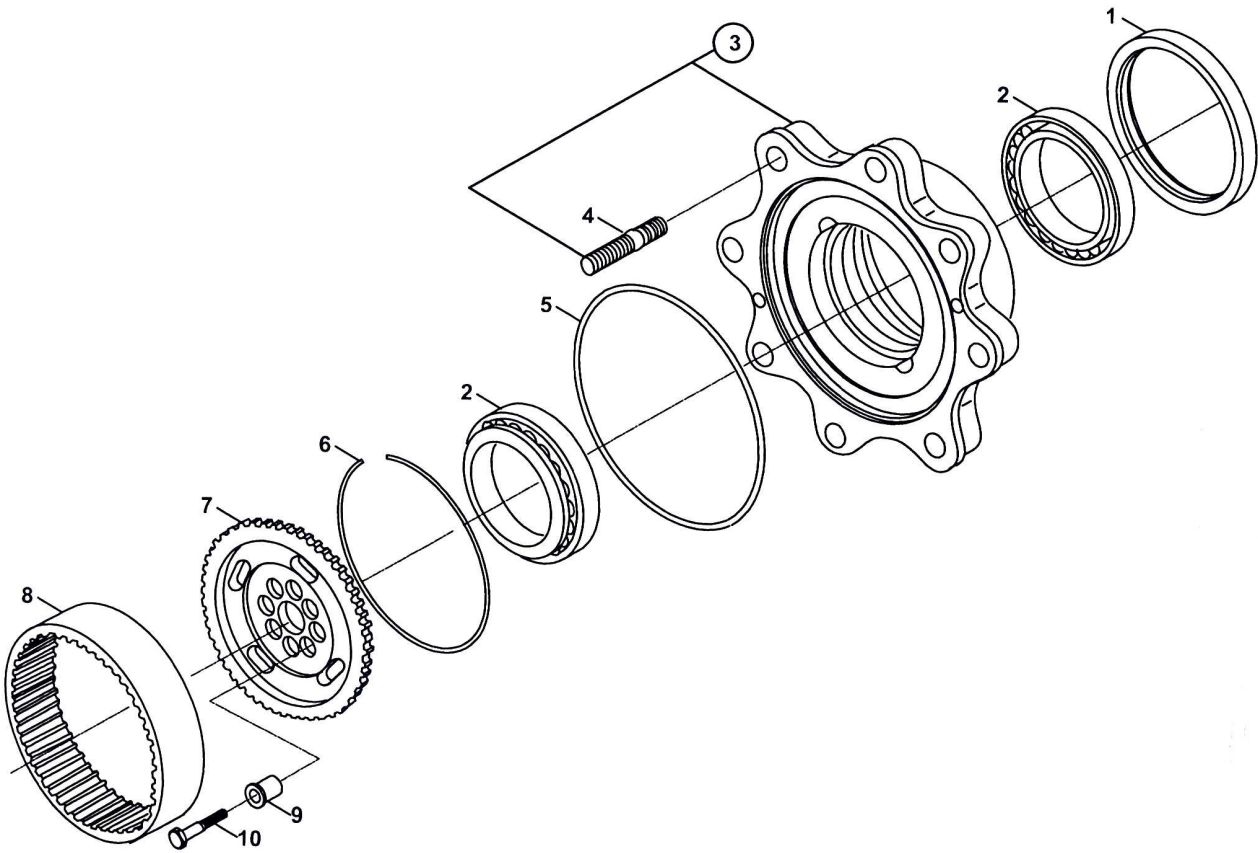
ÇİFTLİ U BAĞLANTI, SOL
DOUBLE U JOINT, RIGHT



**ÇİFTLİ U BAĞLANTI, SOL
DOUBLE U JOINT, LEFT**

NO NO	PARÇA NO PART NO	TANIM	DESCRIPTION	ADET QTY	S.K. S.C.	SERİ NO SERIAL NO	D.T. ICA	NOT NOTE
	*S06/41720				RK			
1	S06/41591	İKİLİ U-ŞAFT,SOL,POYRA	LH DOUBLE U JOINT	1	K1			
2	S06/40248	ÇATAL, DİFERANSİYEL TARAFI	FORK (DIFFERENTIAL SIDE)	1	(K1)			
3	S06/40260	MERKEZ GÖVDE	CENTRAL BODY	1	(K1)			
4	S06/40261	İSTAVROZ	SPIDER	2	(K1)			
5	S06/40262	SEGMAN	LOCKRING	8	(K1)			
6	S06/40246	ÇATAL,TEKER TARAFI	FORK (WHEEL SIDE)	1				
7	S06/41405	PUL	WASHER	1				
8	S06/41474	PUL	WASHER	1				
9	F03/30414	TESBİT SEGMANI	SNAP RING D45	1				

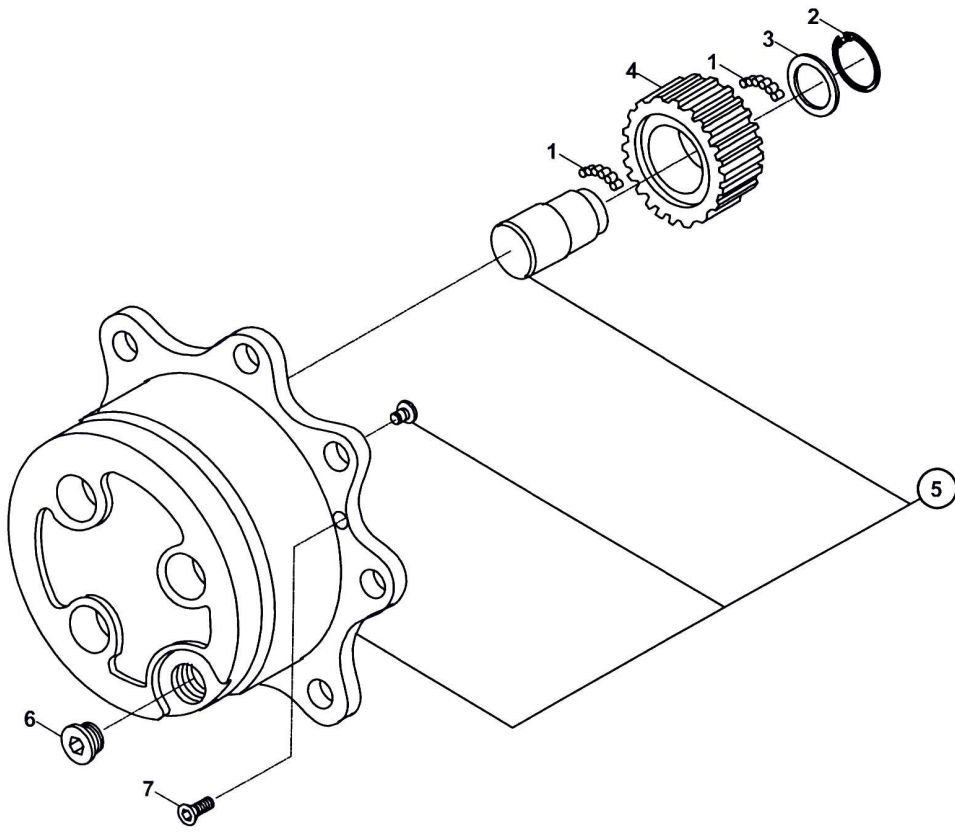
POYRA, ÖN AKS
WHEEL HUB, FRONT AXLE



POYRA, ÖN AKS
WHEEL HUB, FRONT AXLE

NO NO	PARÇA NO PART NO	TANIM	DESCRIPTION	ADET QTY	S.K. S.C.	SERİ NO SERIAL NO	D.T. ICA	NOT NOTE
1	S06/41725				RK			
2	S06/40272	YAĞ KEÇESİ	OIL SEAL	2				
3	S06/41170	RULMAN	BEARING	4				
4	S06/40343	POYRA KİTİ	WHEEL HUB KIT	2	K1			
5	S06/41385	TESBİT CIVATASI	STUD	16	(K1)			
6	S06/40213	O-RING	O-RING	2				
7	S06/41244	TESBİT HALKASI	RING	2				
8	S06/41395	TEKERLEK MESNEDİ	WHEEL CARRIER	2				
9	S06/41394	DİŞLİ,60 DİŞ	CROWN GEAR Z60	2				
10	S06/41516	YATAK BURCU	BUSH	16				
	S06/41493	CIVATA,M12x45	SCREW M12x45	16				

SON REDÜKSİYON, ÖN AKS
FINAL REDUCTION, FRONT AXLE



SON REDÜKSİYON, ÖN AKS
FINAL REDUCTION, FRONT AXLE

NO NO	PARÇA NO PART NO	TANIM	DESCRIPTION	ADET QTY	S.K. S.C.	SERİ NO SERIAL NO	D.T. ICA	NOT NOTE
1	S06/41730	İĞNELİ RULMAN	NEEDLE BEARING	336	RK			(1)
2	S06/40205	TESBİT SEGMANI	SNAP RING D38	6				
3	S06/41437	PUL	WASHER	6				
4	S06/41444	DİŞLİ, 23 DİŞ	GEAR Z23	6				
5	S06/40335	PLANET DİŞLİ TAŞIYICI KİTİ	PLANETARY CARRIER KIT	2				
6	F03/31285	TAPA, M30x2	PLUG M30x2	2				
7	S06/40015	CİVATA, M8x20	SCREW M8x20	2				

NOT / NOTE: (1) BİR DİŞLİDE ARKALI ÖNLÜ 28'ER ADET RULMAN İĞNESİ KULLANILMAKTADIR. / 28 PIECES OF NEEDLE BEARING USING FOR EACH SIDE OF ONE GEAR .

F

**TAHRİK ELEMANLARI
TRANSMISSION COMPONENTS**

F1

**ÖN AKS
FRONT AXLE**

F2

**ARKA AKS
REAR AXLE**

F3

**ŞANZUMAN
TRANSMISSION**

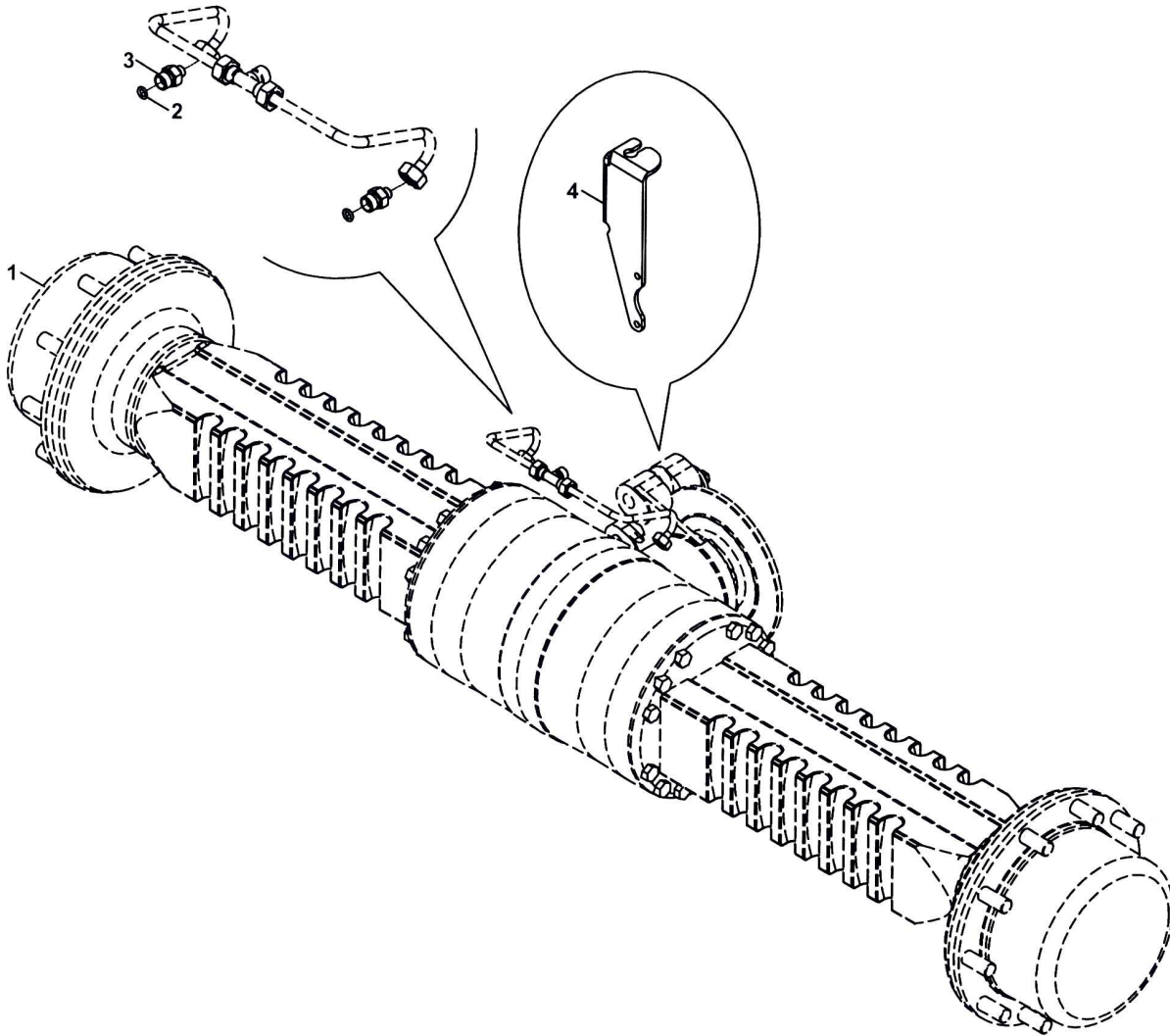
F4

**ŞANZUMAN ELEMANLARI
TRANSMISSION COMPONENTS**

F5

**TEKER VE ŞAFTLAR
WHEELS & SHAFTS**

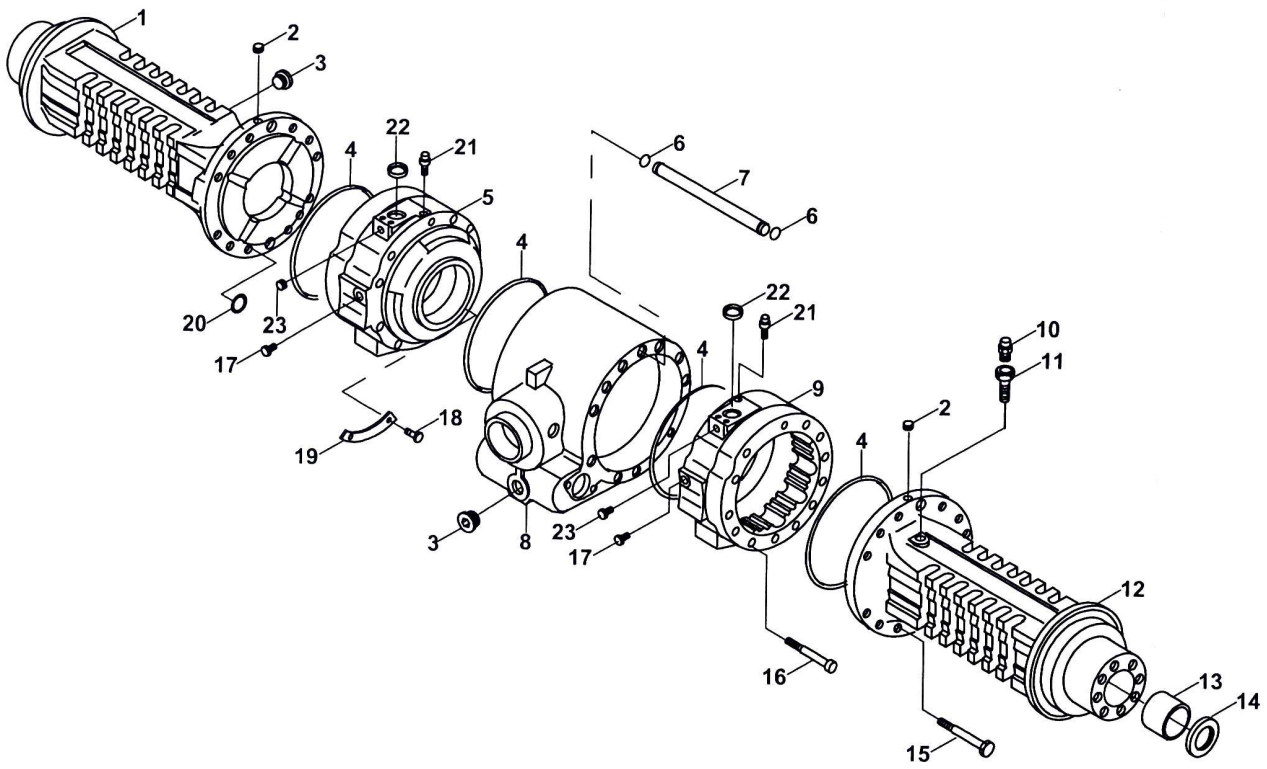
AKS MONTAJI, ARKA
AXLE ASSEMBLY, REAR



AKS MONTAJI, ARKA
AXLE ASSEMBLY, REAR

NO NO	PARÇA NO PART NO	TANIM	DESCRIPTION	ADET QTY	S.K. S.C.	SERİ NO SERIAL NO	D.T. ICA	NOT NOTE
	*V015/24/01 018/63141				RK			
1	F06/16531	ARKA AKS	AXLE, REAR	1				
2	N10/2000818	O-RİNG	O-RING	2				
3	806/24080	NİPEL	ADAPTERS	2				
4	020/11902	PARK FRENİ SACI	BRACKET	1				

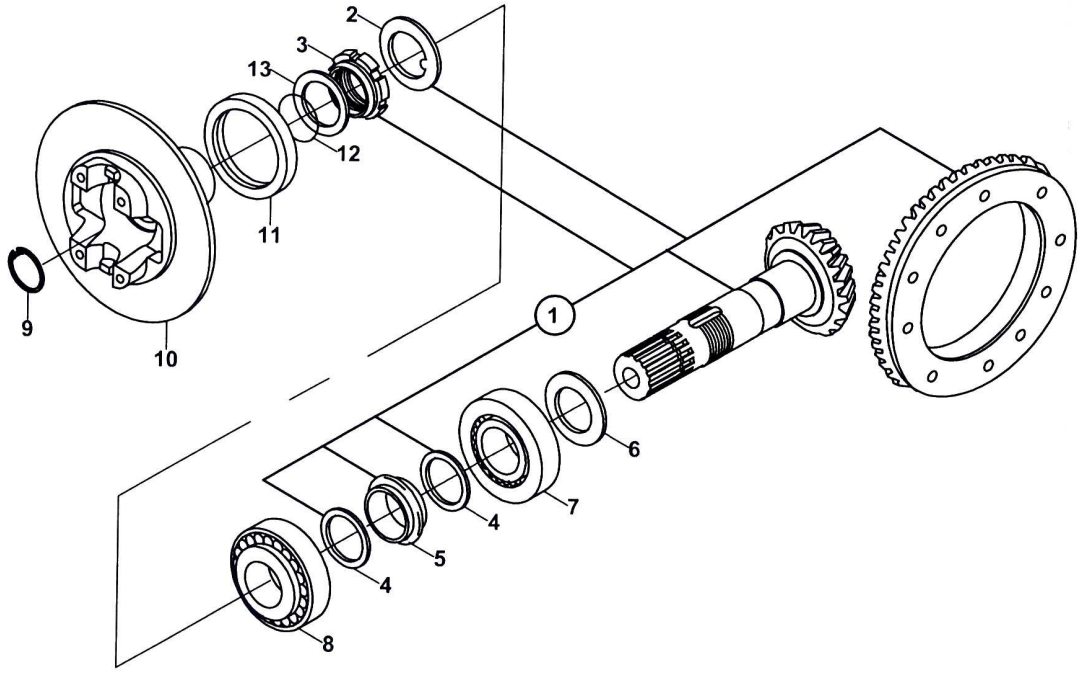
AKS GÖVDESİ, ARKA
AXLE HOUSING



**AKS GÖVDESİ, ARKA
AXLE HOUSING**

NO NO	PARÇA NO PART NO	TANIM	DESCRIPTION	ADET QTY	S.K. S.C.	SERİ NO SERIAL NO	D.T. ICA	NOT NOTE
	S06/42410				RK			
1	S06/42382	AKS KOVANI, SOL	BEAM TRUMPET LH	1				
2	S06/40088	TAPA	PLUG M10x1	2				
3	F03/31285	TAPA	PLUG M30x 2	2				
4	S06/42111	O-RING	O-RING	4				
5	S06/42371	FREN SİLİNDİRİ (SOL)	BRAKE CYLINDER LH	1				
6	S06/42101	O-RING	O-RING	2				
7	S06/42362	BORU	PIPE	1				
8	S06/42399	MERKEZ GÖVDE	CENTRAL BODY	1				
9	S06/42372	FREN SİLİNDİRİ (SAĞ)	BRAKE CLINDER RH	1				
10	S06/41018	HAVA DELİĞİ, M10x1	BREATHER M10x1	1				
11	S06/42194	HAVALANDIRMA BORUSU	BREATHER PIPE	1				
12	S06/42383	AKS KOVANI, SAĞ	BEAM TRUMPET RH	1				
13	S06/42260	YATAK BURCU	BUSH	2				
14	S06/42066	KEÇE	SEAL RING	2				
15	S06/42015	CİVATA M14x140	BOLT M14x140	22				
16	S06/42010	CİVATA M14x130	BOLT M14x130	2				
17	S06/42390	TAPA	PLUG	2				
18	S06/42035	PERÇİN	RIVET 4.8x6	4				
19	S06/42367	PLAKA	PLATE	2				
20	S06/42099	O-RING	O-RING	8				
21	S06/42162	HAVA DELİĞİ, M10x1	BREATHER M10x1	2				
22	S06/42290	TAPA	PLUG D26x8	2				
23	S06/40086	TAPA M8x1	PLUG M8x1	2				

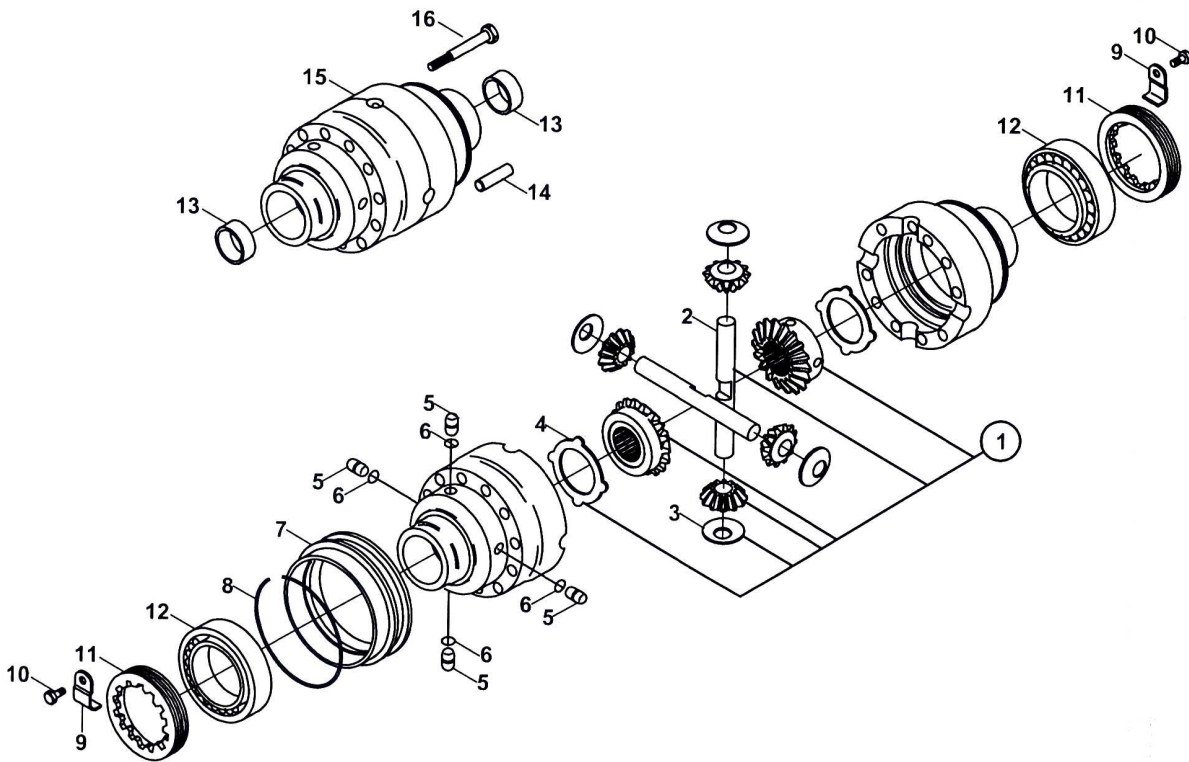
AYNA MAHRUTI DİŞLİ SETİ
BEVEL GEAR SET



AYNA MAHRUTI DİŞLİ SETİ
BEVEL GEAR SET

NO NO	PARÇA NO PART NO	TANIM	DESCRIPTION	ADET QTY	S.K. S.C.	SERİ NO SERIAL NO	D.T. ICA	NOT NOTE
	S06/42414				RK			
1	S06/42142	KONİK DİŞLİ SETİ,15/37DİŞ	BEVEL GEAR SET Z15/37	1	K1			
2	S06/41092	EMNİYET PULU	LOCK WASHER	1	(K1)			
3	S06/41104	HALKALI SOMUN	RING NUT M40x1.5	1	(K1)			
4	S06/41279	PUL	WASHER	2	(K1)			
5	S06/42318	ARA HALKASI	COLLAPSIBLE SPACER	1	(K1)			
6	S06/42276	ŞİM, 2.5mm	SHIM 2.6 mm	*	GK			
6	S06/42277	ŞİM, 2.6mm	SHIM 2.6 mm	*	GK			
6	S06/42278	ŞİM, 2.7mm	SHIM 2.7 mm	*	GK			
6	S06/42279	ŞİM, 2.8mm	SHIM 2.8 mm	*	GK			
6	S06/42280	ŞİM, 2.9mm	SHIM 2.9 mm	*	GK			
6	S06/42281	ŞİM,3.0mm	SHIM 3.0 mm	*	GK			
6	S06/42282	ŞİM,3.1mm	SHIM 3.1 mm	*	GK			
6	S06/42283	ŞİM,3.2mm	SHIM 3.2 mm	*	GK			
6	S06/42284	ŞİM,3.3mm	SHIM 3.3 mm	*	GK			
6	S06/42285	ŞİM,3.4mm	SHIM 3.4 mm	*	GK			
7	S06/42071	RULMAN	BEARING	1				
8	S06/40198	RULMAN	BEARING	1				
9	S06/42049	SEGMAN	SNAP RING D34	1				
10	S06/42393	FLANŞLI FREN DİSKİ	BRAKE DISK+FLANGE	1				
11	S06/42387	KEÇE	SEAL RING	1				
12	S06/42104	O-RING	O-RING	1				
13	S06/42205	PUL	WASHER	1				

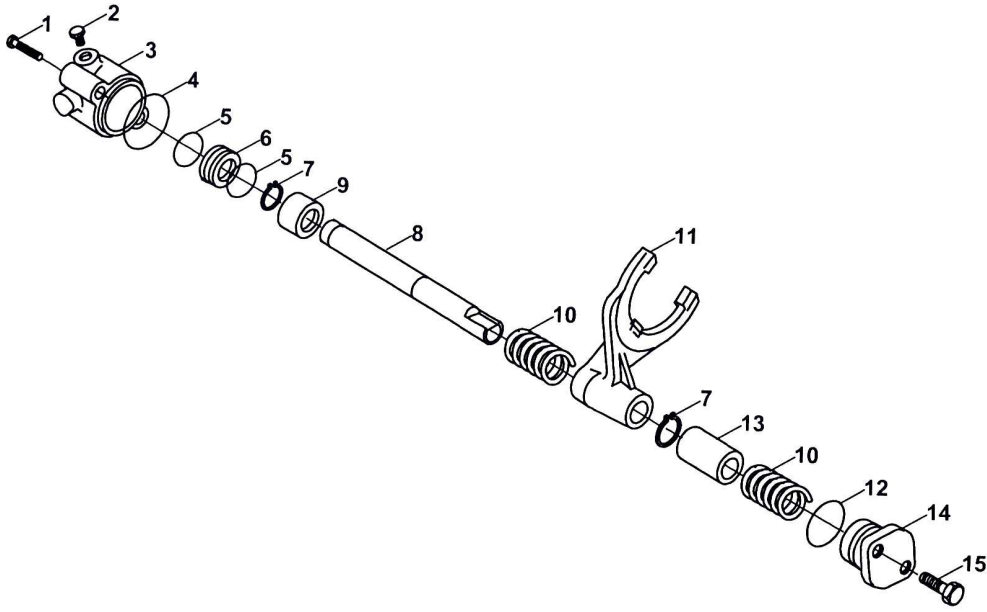
DİFERANSİYEL
DIFFERENTIAL



**DİFERANSİYEL
DIFFERENTIAL**

NO NO	PARÇA NO PART NO	TANIM	DESCRIPTION	ADET QTY	S.K. S.C.	SERİ NO SERIAL NO	D.T. ICA	NOT NOTE
1	S06/42417				RK			
1	S06/42132	DİFERANSİYEL KİTİ	DIFFERENTIAL KIT	1	K1			
2	S06/42265	ŞAFT	SHAFT	2	(K1)			
3	S06/42171	AYAR PULU	THRUST WASHER	4	(K1)			
4	S06/42266	TAHRİK TABLASI	DRIVE PLATE	2	(K1)			
5	S06/42307	PİM	PIN	4				
6	S06/42089	O-RING	O-RING	4				
7	S06/42252	KOVAN	SLEEVE	1				
8	S06/42060	TESPİT HALKASI	RING	1				
9	S06/41374	EMNİYET PLAKASI	LOCKING PLATE	2				
10	S06/41330	CİVATA,M6x10	BOLT M6x10	2				
11	S06/42226	HALKALI SOMUN	RING NUT M104x2	2				
12	S06/42077	RULMAN	BEARING	2				
13	S06/42256	YATAK BURCU	BUSH	2				
14	S06/42179	PİM	PIN D12x40	2				
15	S06/42310	DİFERANSİYEL GÖVDESİ	DIFFERENTIAL HOUSING	1				
16	S06/42229	CİVATA M12x90	BOLT M12x90	10				

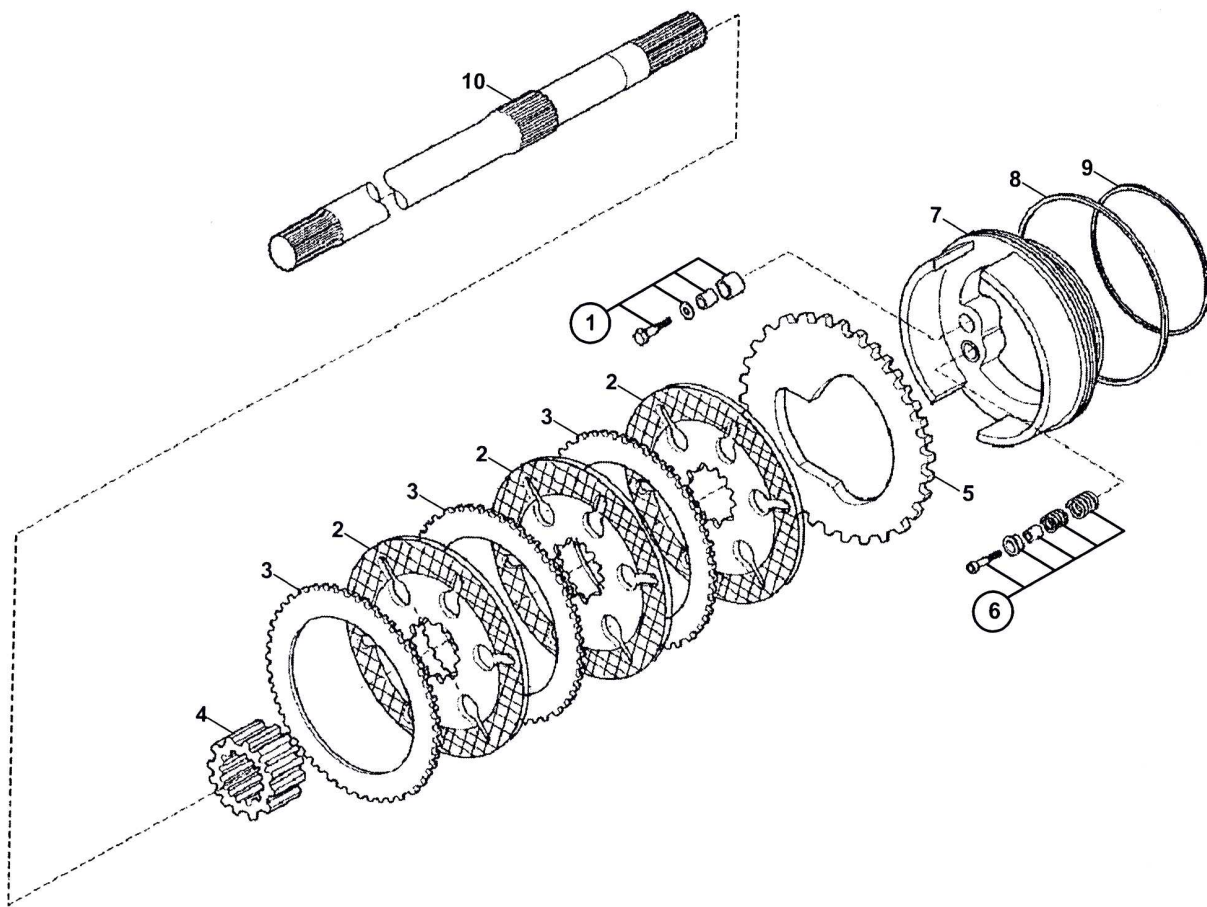
DİFERANSİYEL KİLİDİ
DIFFERENTIAL LOCKING



**DİFERANSİYEL KİLİDİ
DIFFERENTIAL LOCKING**

NO NO	PARÇA NO PART NO	TANIM	DESCRIPTION	ADET QTY	S.K. S.C.	SERİ NO SERIAL NO	D.T. ICA	NOT NOTE
1	S06/42419				RK			
1	S06/42002	ÇİVATA,M8x80	BOLT M8x80	2				
2	F03/30820	TAPA	PLUG	1				
3	S06/42330	DESTEK	SUPPORT	1				
4	S06/42102	O-RING	O-RING	1				
5	S06/42081	O-RING	O-RING	2				
6	S06/42337	PİSTON	PISTON	1				
7	S06/42046	SEGMAN	SNAP RING	2				
8	S06/42339	ŞAFT	SHAFT	1				
9	S06/42338	YATAK BURCU	BUSH	1				
10	S06/42233	YAY	SPRING	2				
11	S06/42245	ÇATAL	FORK	1				
12	S06/42109	O-RING	O-RING	1				
13	S06/42242	ARA HALKASI	SPACER	1				
14	S06/42239	KAPAK	COVER	1				
15	S06/40025	ÇİVATA,M8x30	BOLT M8x30	2				

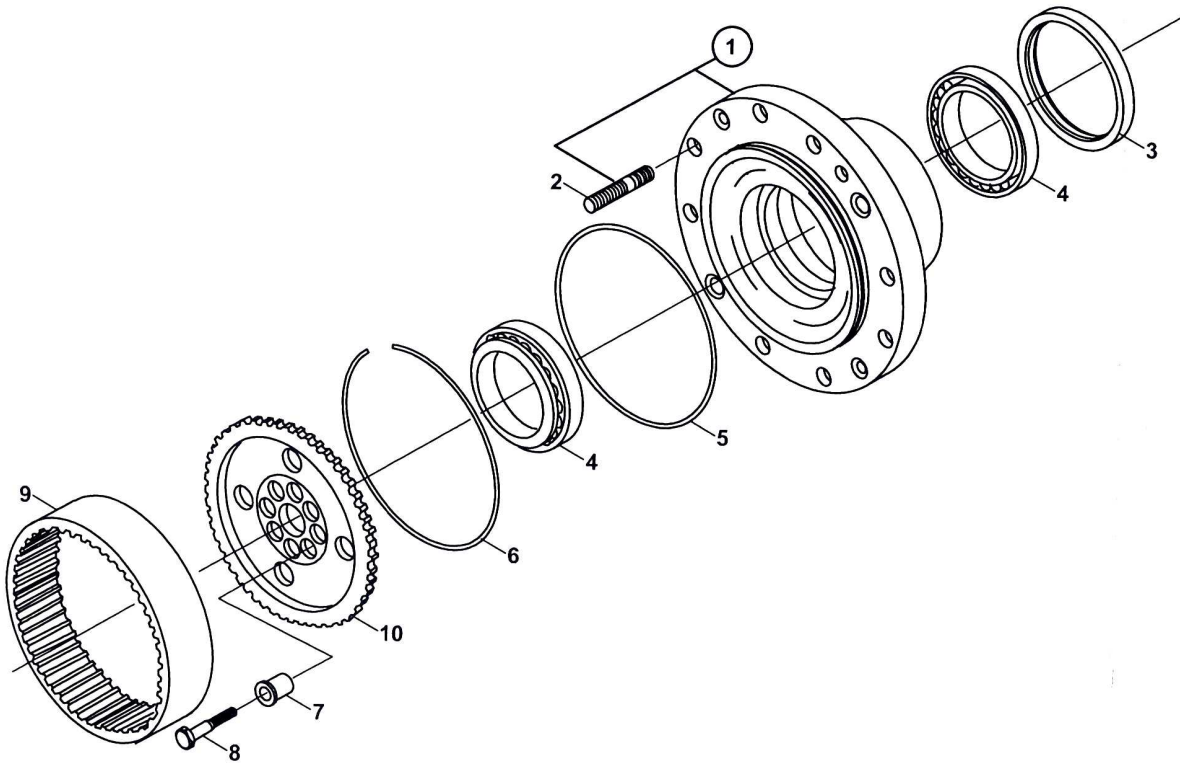
FREN
BRAKES



**FREN
BRAKES**

NO NO	PARÇA NO PART NO	TANIM	DESCRIPTION	ADET QTY	S.K. S.C.	SERİ NO SERIAL NO	D.T. ICA	NOT NOTE
1	S06/42421	SERBEST-AYAR KİTİ	SELF-ADJUST KIT	2	RK			
2	S06/42140	FREN PLAKASI	BRAKE PLATE	6				
3	S06/42299	FREN TAHRİK TABLASI	BRAKE DRIVE-PLATE	6				
4	S06/42304	POYRA	HUB	2				
5	S06/42296	FREN TAHRİK TABLASI	BRAKE DRIVE-PLATE	2				
6	S06/42135	FREN MEKANİZMASI DÖNÜŞ KİTİ	BRAKE MECHANISM RETURN KIT	2				
7	S06/42374	FREN PİSTONU	BRAKE PISTON	2				
8	S06/42270	O-RING	O-RING	2				
9	S06/42343	O-RING	O-RING	2				
10	S06/42349	ŞAFT	HALF-SHAFT	2				

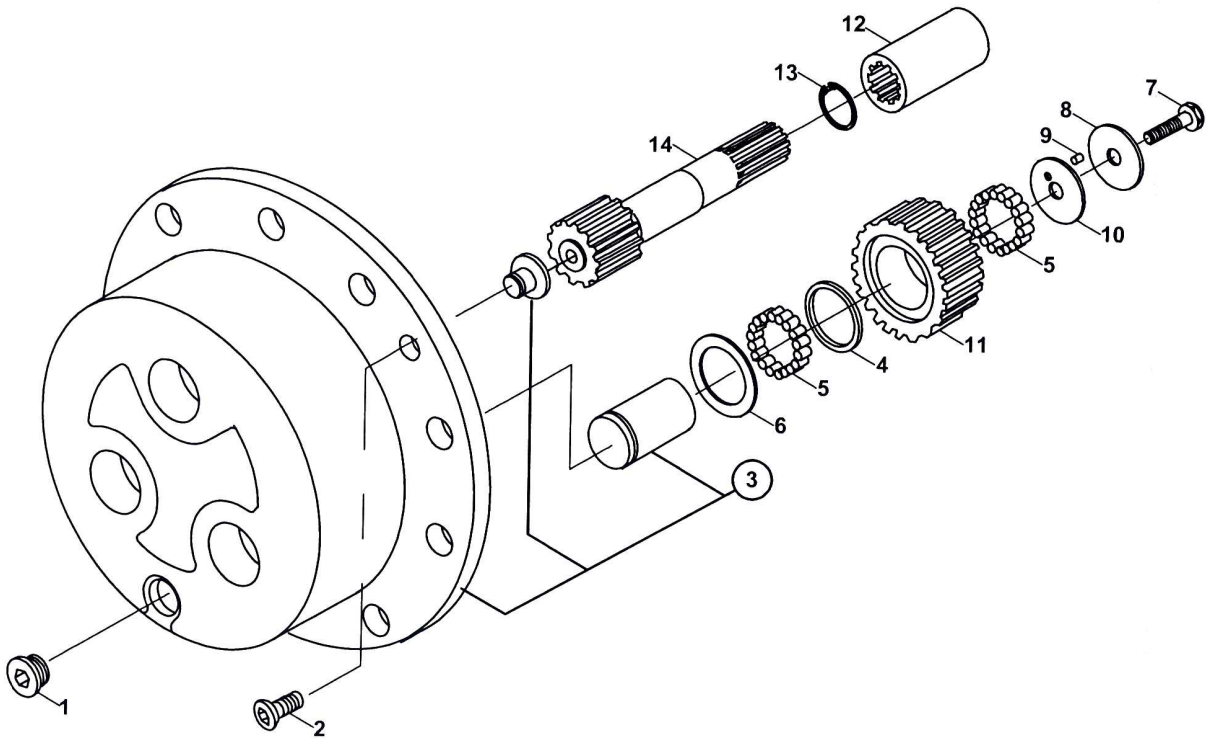
TEKERLEK GÖBEĞİ (POYRA)
WHEEL HUB



TEKERLEK GÖBEĞİ (POYRA)
WHEEL HUB

NO NO	PARÇA NO PART NO	TANIM	DESCRIPTION	ADET QTY	S.K. S.C.	SERİ NO SERIAL NO	D.T. ICA	NOT NOTE
1	S06/42424	POYRA MONTAJI	WHEEL HUB ASSY	1	RK			
2	S06/42145	TESBİT CİVATASI	STUD	20	K1			
3	S06/40272	KEÇE	SEAL RING	2	(K1)			
4	S06/41170	RULMAN	BEARING	4				
5	S06/42114	O-RING	O-RING	2				
6	S06/42223	TESPİT HALKASI	RING	2				
7	S06/42210	YATAK BURCU	BUSH	16				
8	S06/42186	CİVATA M14x65	BOLT M14x65	16				
9	S06/42357	DİŞLİ, 77 DİŞ	CROWN GEAR Z77	2				
10	S06/42353	TEKERLEK MESNEDİ	WHEEL CARRIER	2				

SON REDÜKSİYON
FINAL REDUCTION



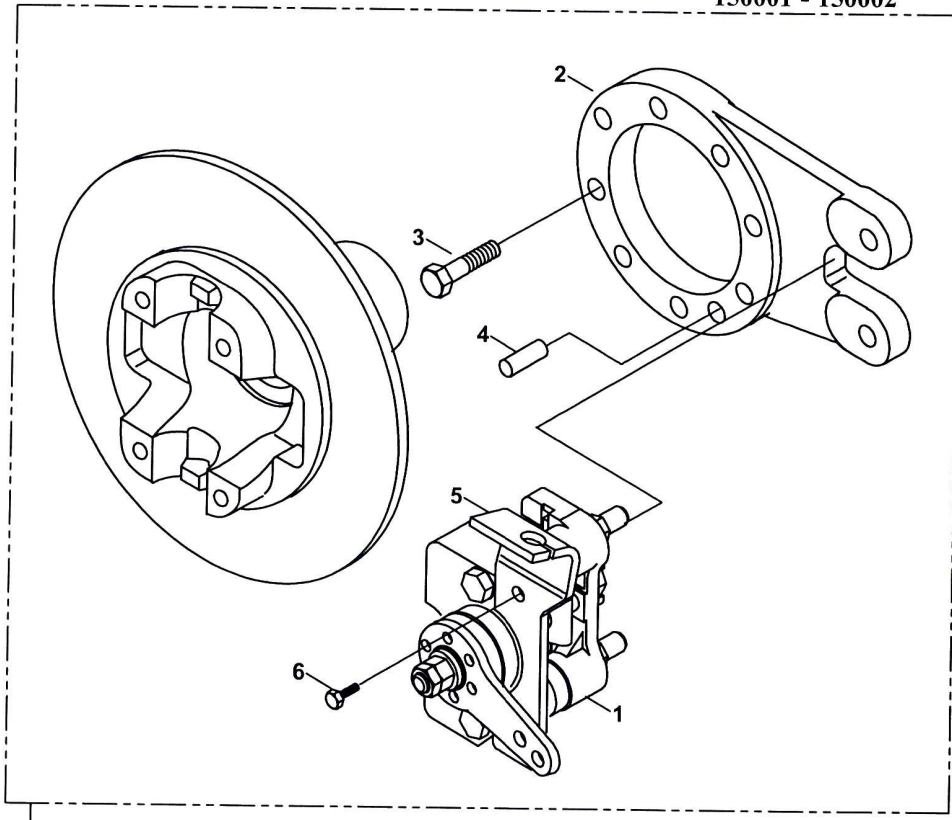
**SON REDÜKSİYON
FINAL REDUCTION**

NO NO	PARÇA NO PART NO	TANIM	DESCRIPTION	ADET QTY	S.K. S.C.	SERİ NO SERIAL NO	D.T. ICA	NOT NOTE
1	S06/42426	TAPA, M30x2	PLUG M30x2	2	RK			
2	F03/31285	CIVATA, M8x20	BOLT M8x20	4				
3	S06/40015	PLANET DİŞLİ TAŞIYICI	PLANETARY CARRIER ASSY	2				
4	S06/42130	MONTAJI						
4	S06/42327	PUL	WASHER	6				
5	S06/42093	İĞNELİ RULMAN	NEEDLE BEARING	372				(1)
6	S06/42315	AYAR PULU	THRUST WASHER	6				
7	S06/42219	CIVATA, M10x50	BOLT M10x50	6				
8	S06/42317	AYAR PULU	THRUST WASHER	6				
9	S06/40205	İĞNELİ RULMAN	NEEDLE BEARING	6				(2)
10	S06/42316	AYAR PULU	THRUST WASHER	6				
11	S06/42324	DİŞLİ, 31 DİŞ	GEAR Z31	6				
12	S06/42249	YATAK BURCU	BUSH	2				
13	S06/42053	SEGMAN	SNAP RING	2				
14	S06/42323	DİŞLİ ŞAFT, 13 DİŞ	HALF-SHAFT WITH GEAR Z13	2				

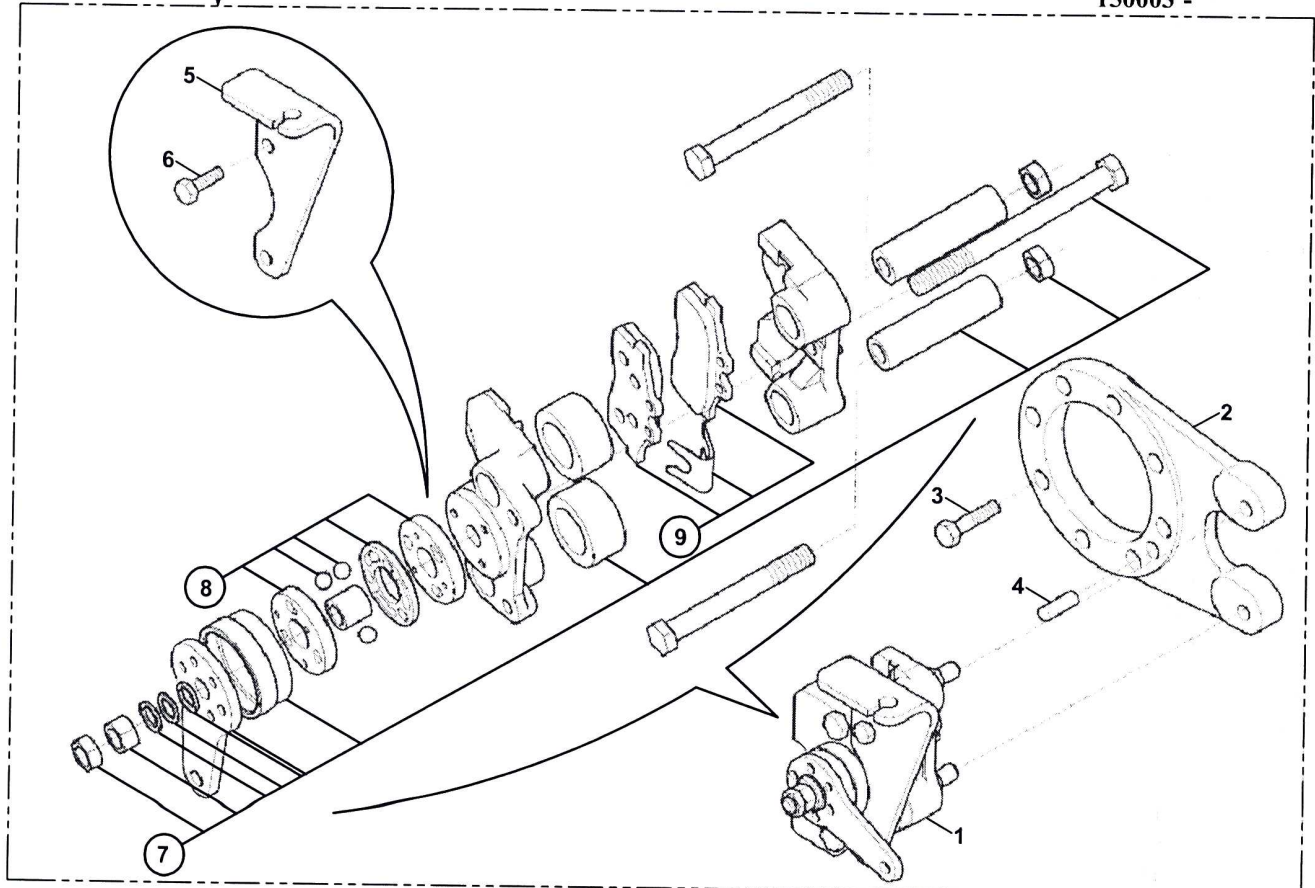
NOT / NOTE: (1) BİR DİŞLİDE ARKALI ÖNLÜ 31'ER ADET RULMAN İĞNESİ KULLANILMAKTADIR. / 31 PIECES OF NEEDLE BEARING USING FOR EACH SIDE OF ONE GEAR .
(2) HER BİR AYAR PULU İÇİN 1 ADET RULMAN İĞNESİ KULLANILMAKTADIR. / 1 PIECES OF NEEDLE BEARING USING FOR EACH THRUST WASHER .

PARK FRENI
BRAKE CALIPER

150001 - 150002



150003 -



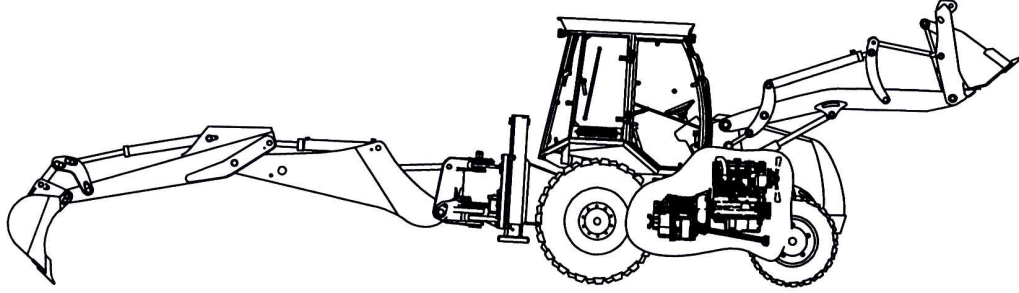
150001 -

F2-9-1/01

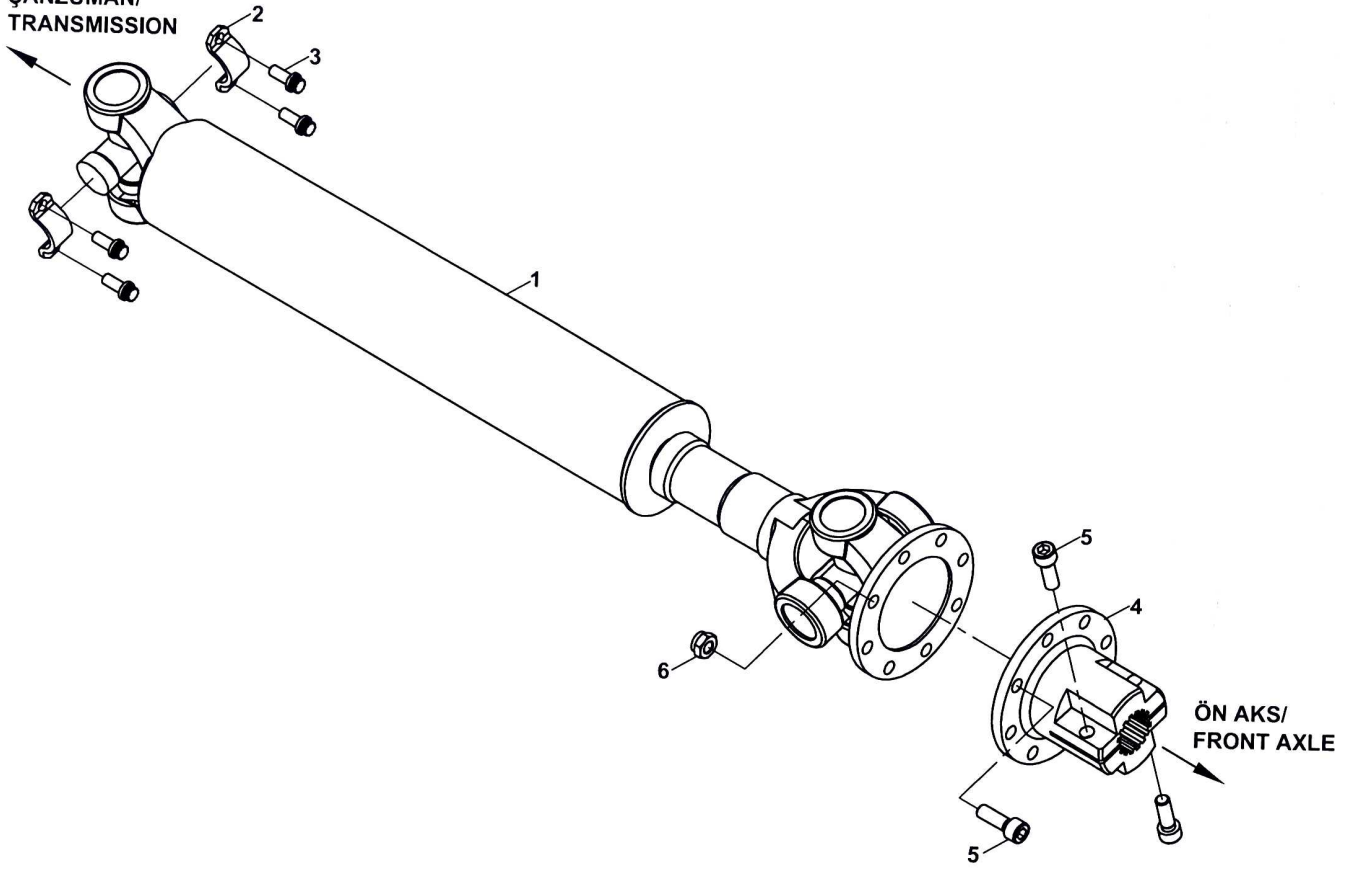
**PARK FRENİ
BRAKE CALIPER**

NO NO	PARÇA NO PART NO	TANIM	DESCRIPTION	ADET QTY	S.K. S.C.	SERİ NO SERIAL NO	D.T. ICA	NOT NOTE
1	S06/42428 S06/42392 S06/42406	PARK FRENİ PARK FRENİ PARK FRENİ	BRAKE CALIPER BRAKE CALIPER BRAKE CALIPER	1 1 1	RK (K1)	150001 - 150002 150003 -	Y	
2	S06/42402	FLANŞ	BRAKE CALIPER FLANGE	1				
3	S06/42005	CIVATA,M12x35	SCREW M12x35	8				
4	S06/42198	PİM	PIN D12x25	1				
5		PARK FRENİ SACI	BRACKET	1				
6	S06/42027	CIVATA	SCREW	2				F2-1-1
7	S06/42120	KIT, FREN TAMIR	BRAKE REPAIR KIT	1	K1	150003 -		
8	S06/42126	KIT, KAM TAMİR	CAM REPAIR KIT	1	K1	150003 -		
9	S06/42121	KIT, MESNET	PAD KIT	1	K1	150003 -		

ÖN ŞAFT
PROPSHAFT, TRANSMISSION TO FRONT AXLE



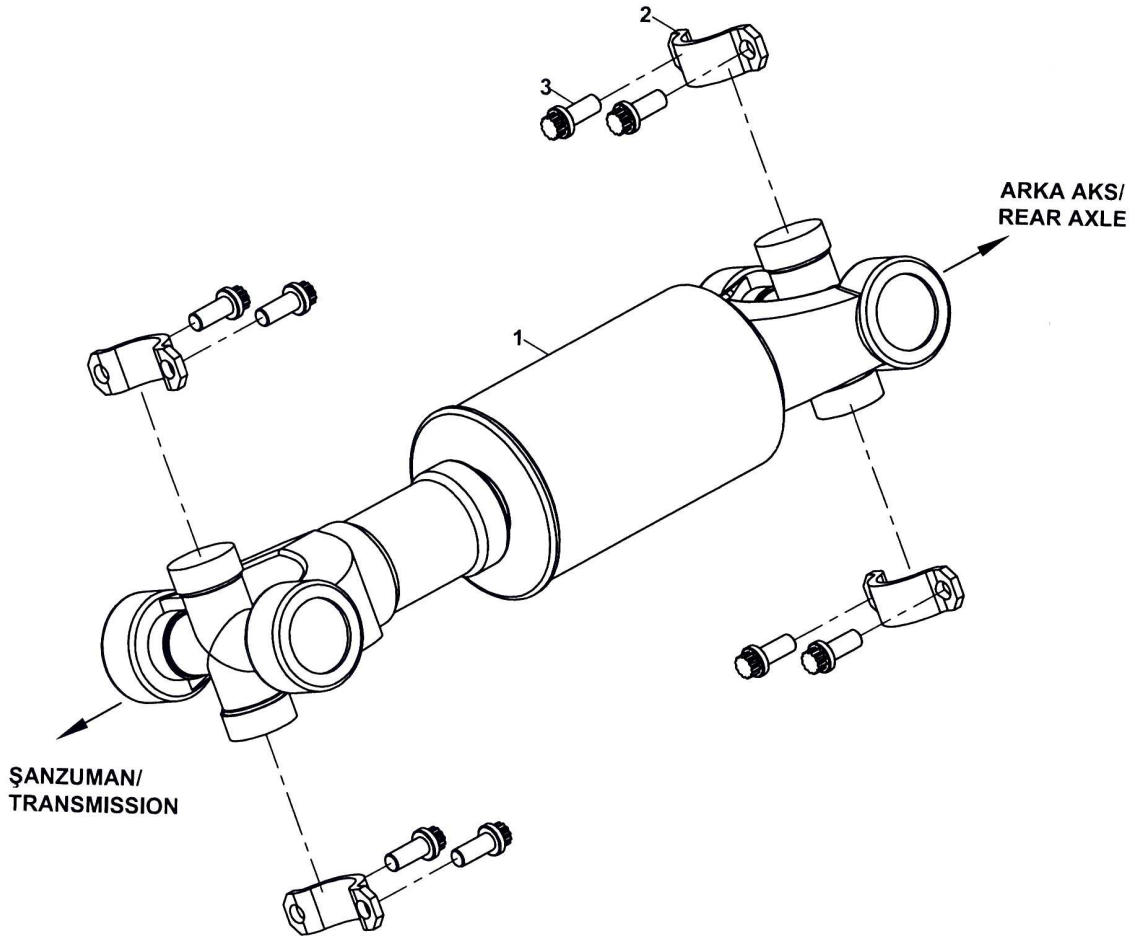
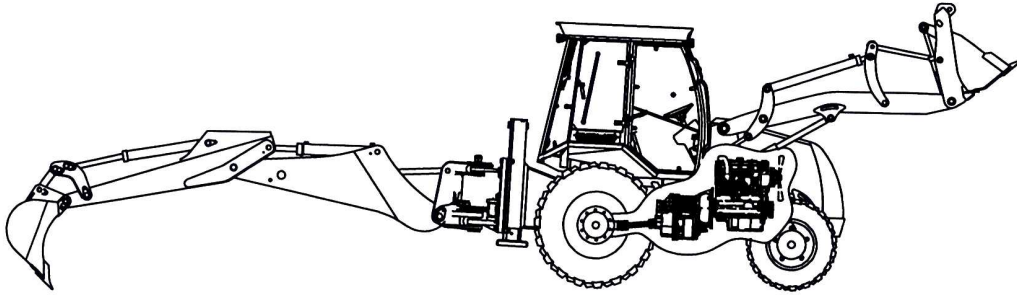
ŞANZUMAN/
TRANSMISSION



ÖN ŞAFT
PROPSHAFT, TRANSMISSION TO FRONT AXLE

NO NO	PARÇA NO PART NO	TANIM	DESCRIPTION	ADET QTY	S.K. S.C.	SERİ NO SERIAL NO	D.T. ICA	NOT NOTE
	* 015/00001							
	*V015/02/10				RK			
1	F10/12305	ÖN ŞAFT KOMPLE	FRONT PROPSHAFT, ASSY	1	RK			
2	F10/10060	ŞAFT ÇEMBERİ	STRAP	2				
3	N01/5890818	CİVATAS M10x30	BOLT M10x30	4				
4	817/08500	FLANŞ	FLANGE	1				
5	N01/5870818	CİVATA, M10x30	BOLT, M10x30	10				
6	N02/5900086	SOMUN, M10	NUT, M10	8				

ARKA ŞAFT
PROPSHAFT, TRANSMISSION TO REAR AXLE



ARKA ŞAFT
PROPSHAFT, TRANSMISSION TO REAR AXLE

NO NO	PARÇA NO PART NO	TANIM	DESCRIPTION	ADET QTY	S.K. S.C.	SERİ NO SERIAL NO	D.T. ICA	NOT NOTE
1	* 015/00001 F10/12180	ARKA ŞAFT KOMPLE	REAR PROPSHAFT, ASSY	1	RK			
2	F10/10060	ŞAFT ÇEMBERİ	STRAP	4				
3	F10/10061	ŞAFT TESPİT CIVATASI	BOLT	8				