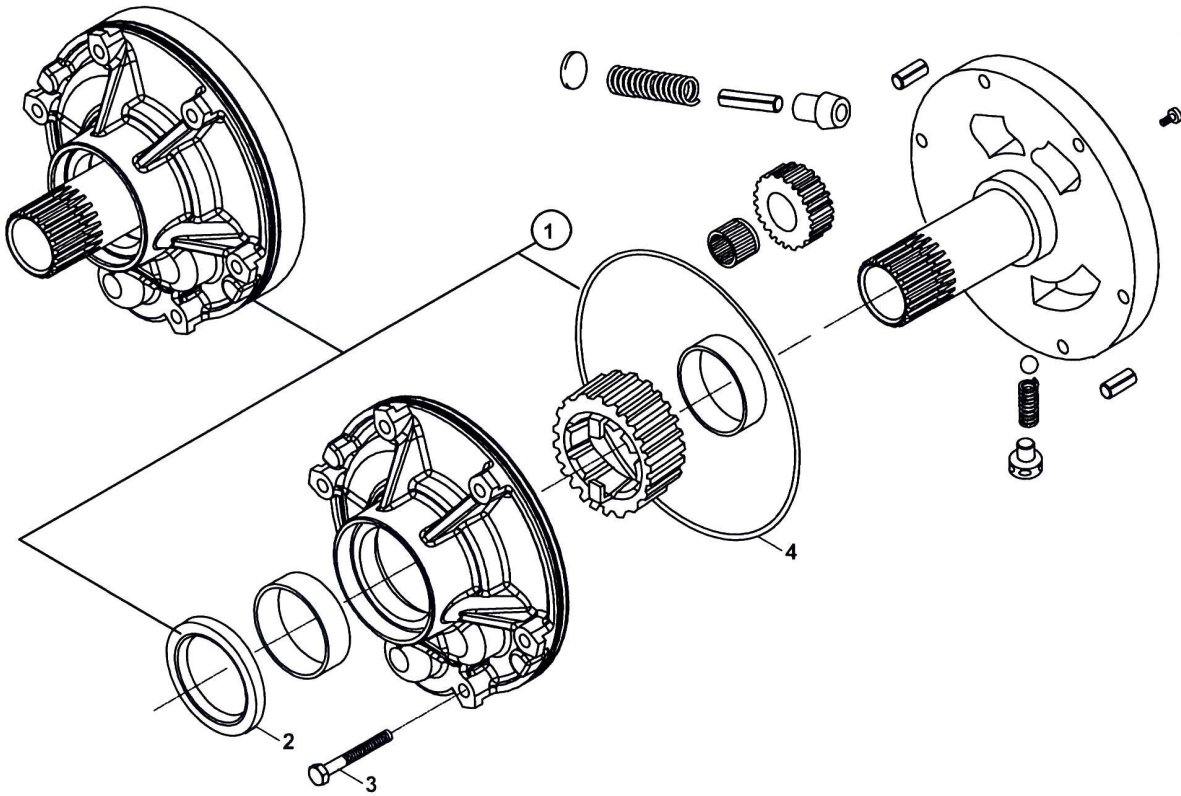


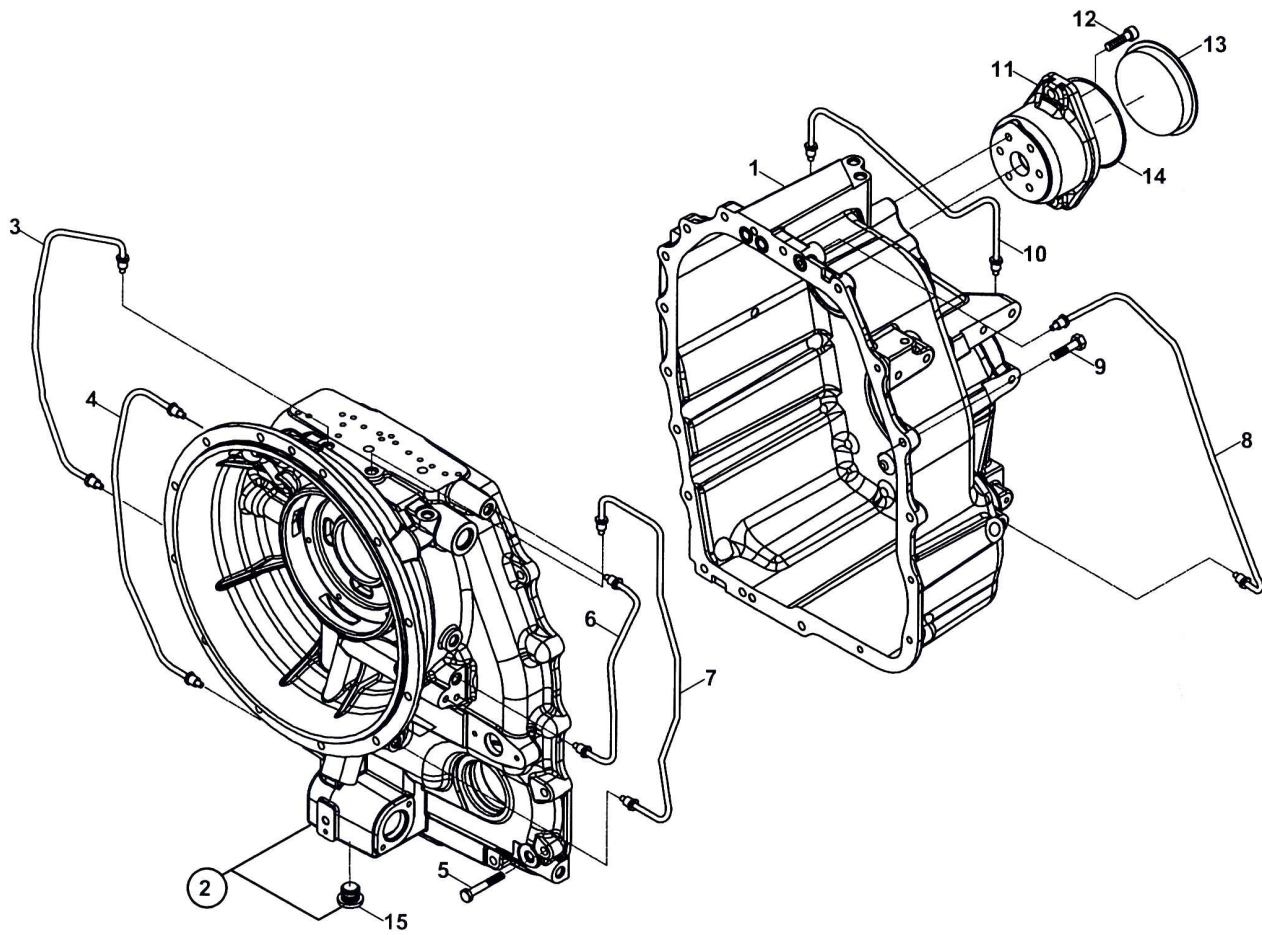
YAĞ POMPASI, ŞANZUMAN  
OIL PUMP, TRANSMISSION



YAĞ POMPASI, ŞANZUMAN  
OIL PUMP, TRANSMISSION

NO NO	PARÇA NO PART NO	TANIM	DESCRIPTION	ADET QTY	S.K. S.C.	SERİ NO SERIAL NO	D.T. ICA	NOT NOTE
1	F03/31805	POMPA, KOMPLE	PUMP, ASSY	1	RK K1			
2	F03/31475	KEÇE, YAĞ	OIL SEAL	1	(K1)			
3	F03/30063	VİDA M8x60	SCREW M8x60	9				
4	F03/30757	O-RING	O-RING	1	(K1)			

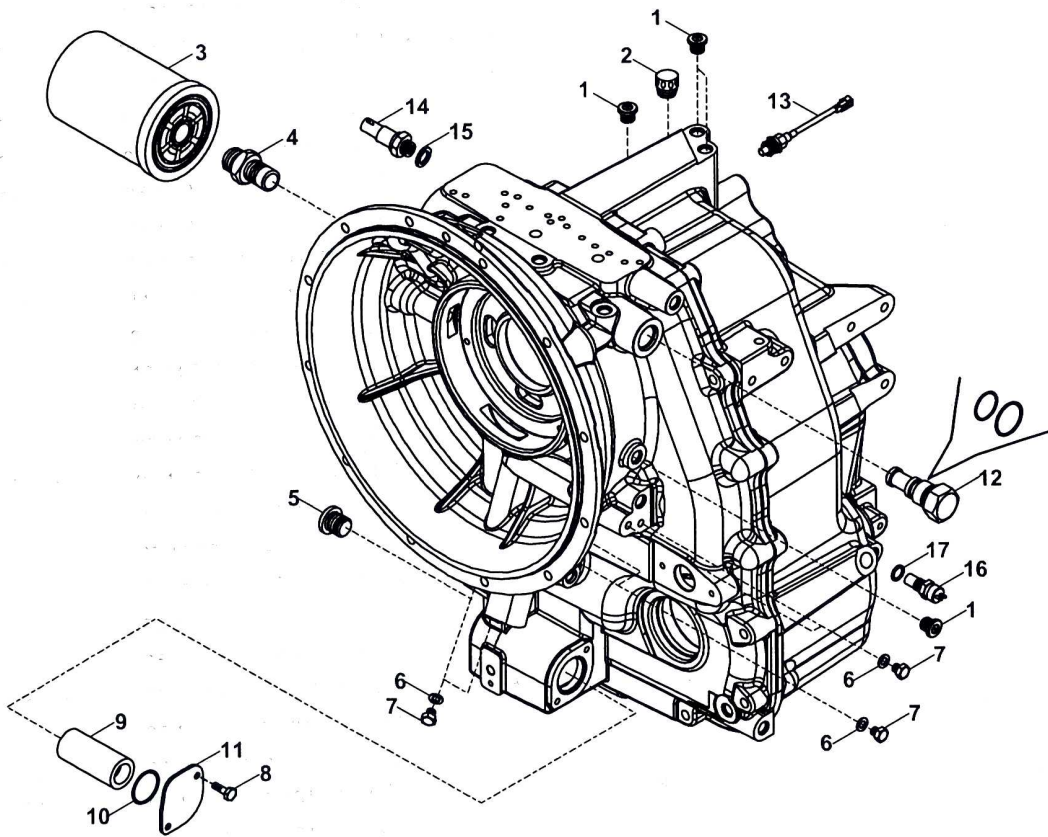
ŞANZUMAN GÖVDESİ  
TRANSMISSION HOUSING



**ŞANZUMAN GÖVDESİ  
TRANSMISSION HOUSING**

NO NO	PARÇA NO PART NO	TANIM	DESCRIPTION	ADET QTY	S.K. S.C.	SERİ NO SERIAL NO	D.T. ICA	NOT NOTE
	F03/32280							
1	F03/31811	ARKA GÖVDE	REAR HALF-HOUSING	1				
2	F03/30869	ÖN GÖVDE	FRONT HALF HOUSING	1	K1			
3	F03/31895	BORU, 4. VİTES	PIPE (4th speed)	1				
4	F03/31894	BORU, 2.VİTES	PIPE (2nd speed)	1				
5	F03/30024	CIVATA M10x55	BOLT M10x55	5				
6	F03/31897	BORU 1. VİTES	PIPE (1st speed)	1				
7	F03/31896	BORU 3.VİTES	PIPE (3rd speed)	1				
8	F03/31893	BORU	PIPE (4WD)	1				
9	F03/30096	CIVATA M10x35	BOLT M10x35	13				
10	F03/31892	BORU, YAĞLAMA	PIPE (lubrication)	1				
11	F03/31750	FLANŞ	FLANGE	1				
12	F03/30149	CIVATA M10x25	BOLT M10x25	6				
13	F03/31787	TAPA	PLUG D127.5	1				
14	F03/30767	O-RING	O-RING	1				
15	F03/30182	TAPA	PLUG	1	(K1)			

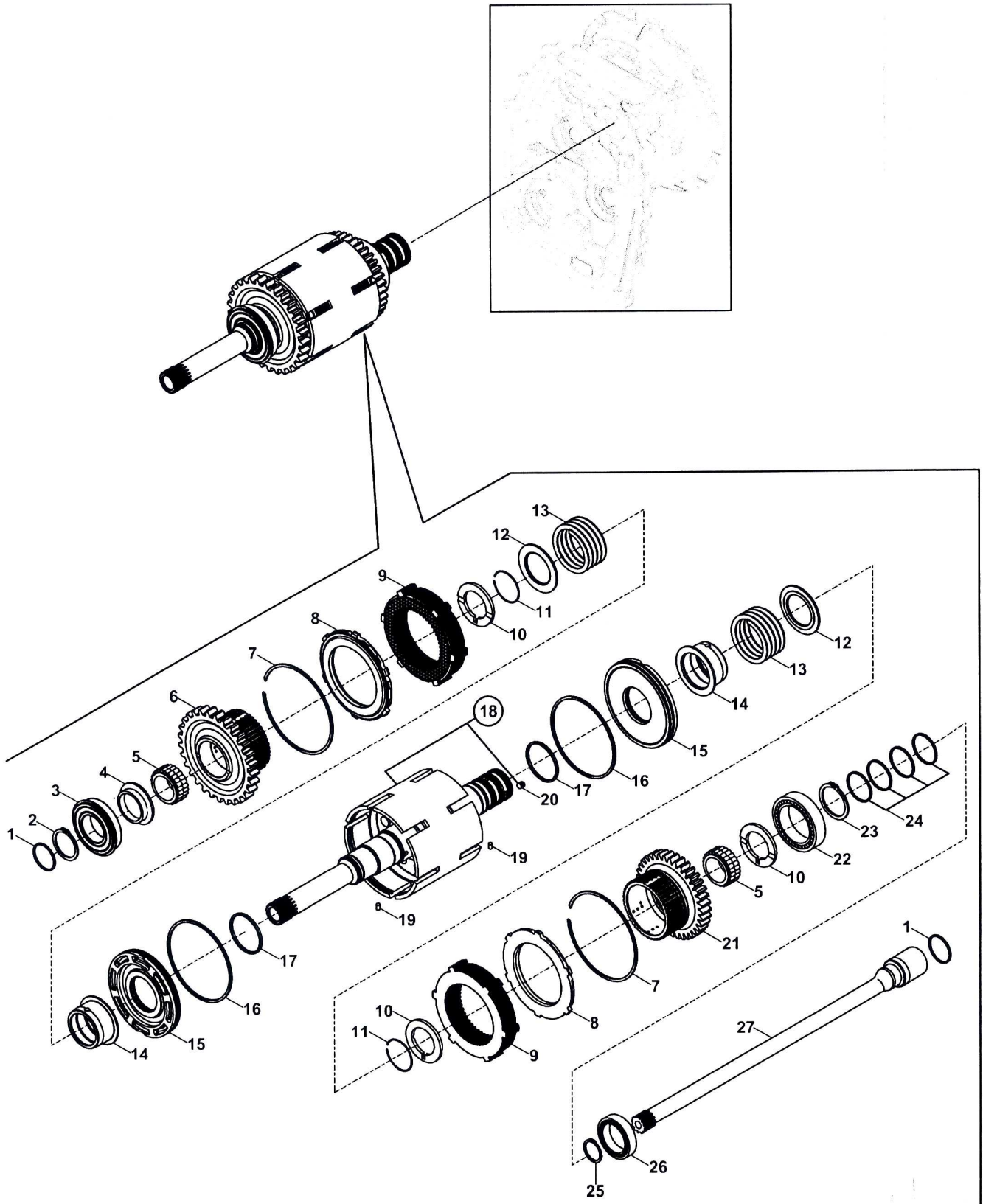
YAĞ FİLTRELERİ VE TAPALAR, ŞANZUMAN  
OIL FILTERS AND PLUGS, TRANSMISSION



**YAĞ FİLTRELERİ VE TAPALAR, ŞANZUMAN  
OIL FILTERS AND PLUGS, TRANSMISSION**

NO NO	PARÇA NO PART NO	TANIM	DESCRIPTION	ADET QTY	S.K. S.C.	SERİ NO SERIAL NO	D.T. ICA	NOT NOTE
	F03/32275				RK			
1	F03/30170	TAPA	PLUG	3				
2	F03/30808	ARA TAPA	BREATHER PLUG	1				
3	F03/30841	YAĞ FİLTRESİ	OIL FILTER	1				
4	F03/31417	BAĞLANTI NİPELİ	CONNECTION	1				
5	F03/31285	TAPA M30x2	PLUG M30x2	1				
6	F03/30236	PUL	WASHER	6				
7	F03/30122	TAPA	PLUG	6				
8	F03/30057	CIVATA M8x18	BOLT M8x18	2				
9	F03/31559	YAĞ FİLTRESİ	OIL FILTER	1				
10	F03/30719	O-RING	O-RING	1				
11	F03/31448	KAPAK	COVER	1				
12	F03/31874	VALF	VALVE	1				
13	F03/31777	TERMOSTAT	THERMOSTAT	1				
14	F03/31643	BASINÇ SENSÖRÜ	PRESSURE SENSOR	1				
15	F03/30257	RONDELA	RONDELLA	6				
16	F03/32018	SEGMAN	CIRCLIP, INTERNAL	1				
17	F03/30244	PUL	WASHER	1				

GİRİŞ VE PTO ŞANZUMAN ŞAFTI  
INPUT AND PTO TRANSMISSION SHAFT

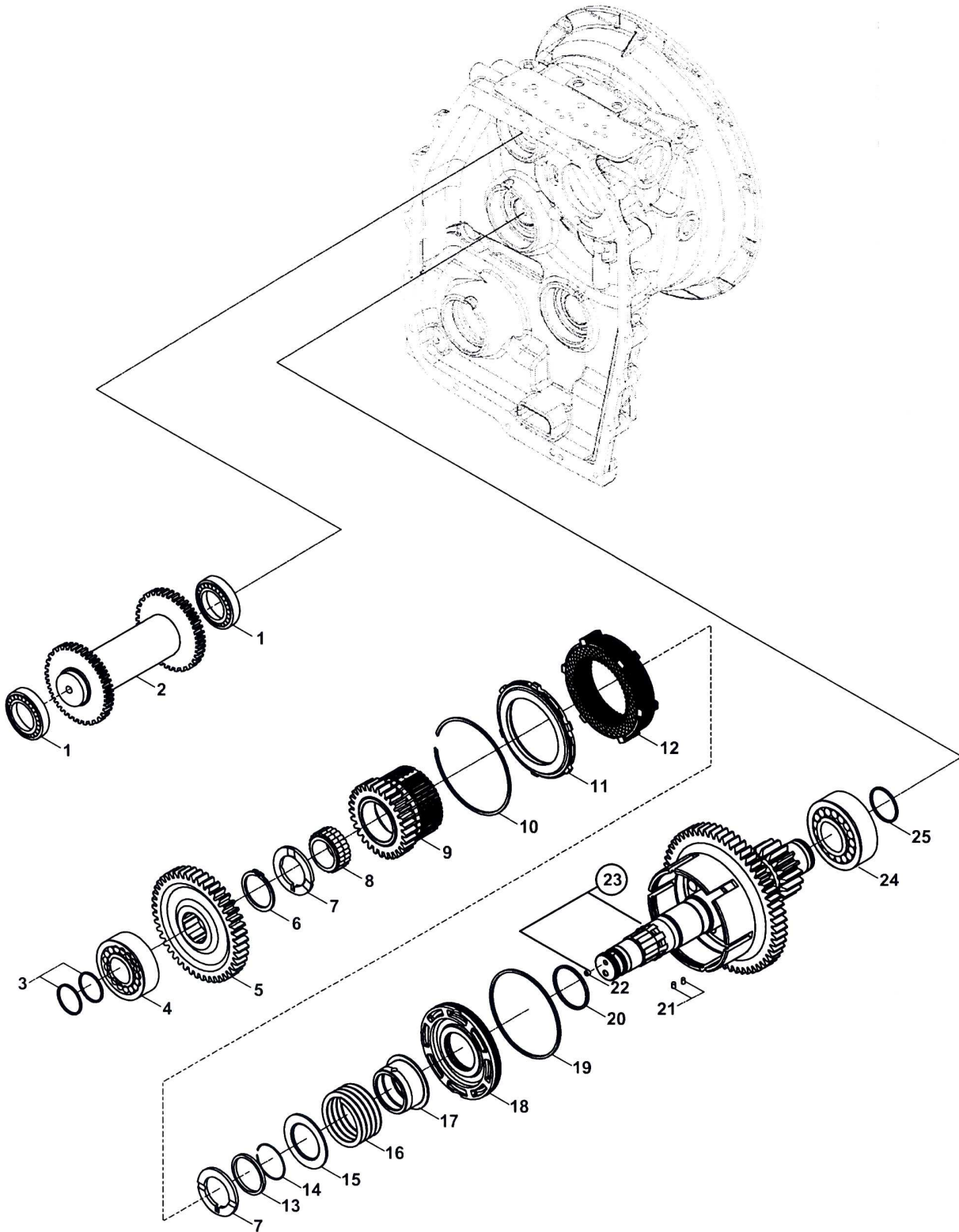


**GİRİŞ VE PTO ŞANZUMAN ŞAFTI**  
**INPUT AND PTO TRANSMISSION SHAFT**

NO NO	PARÇA NO PART NO	TANIM	DESCRIPTION	ADET QTY	S.K. S.C.	SERİ NO SERIAL NO	D.T. ICA	NOT NOTE
	F03/32285				RK			
1	F03/31687	KEÇE	SEAL, RING	2				
2	F03/30415	SEGMAN	SNAP RING	1				
3	F03/30680	RULMAN	BEARING	1				
4	F03/31671	ARA HALKASI 68x45x105	SPACER 68x45x105	1				
5	F03/30698	İĞNELİ RULMAN	NEEDLE BEARING BUSH	2				
6	F03/31834	DİŞLİ, 37 DİŞ	GEAR Z37(rvs)	1				
7	F03/30547	TESBİT HALKASI	LOCKRING	2				
8	F03/31520	KAVRAMA PLAKASI	CLUTCH PLATE LOCKRING	2				
9	F03/31886	KAVRAMA KITI	CLUTCH KIT	2				
10	F03/31656	AYAR PULU 60x50x4	THRUST WASHER 60x50x4	3				
11	F03/30529	TESBİT HALKASI	LOCKRING	2				
12	F03/31492	YAY KAPAK HALKASI	LOCK-SPRING COVER	2				
13	F03/31721	YAY	SPRING	2				
14	F03/31654	KAVRAMA MANŞONU	CLUTCH SLEEVE	2				
15	F03/31653	KAVRAMA PİSTONU	CLUTCH PISTON	2				
16	F03/31689	KEÇE	SEAL RING	2				
17	F03/31688	KEÇE	SEAL RING D55	2				
18	F03/30874	İÇ ŞAFT	INNER SHAFT (assy)	1	K1			
19	F03/30341	PİM	SPLIT PIN D3x8	2				
20	F03/30295	PERÇİN	RIVET D6x5.84	4	(K1)			
21	F03/31833	DİŞLİ, 37 DİŞ	GEAR Z37	1				
22	F03/30641	RULMAN	BEARING	1				
23	F03/30420	SEGMAN	SNAP RING D50	1				
24	F03/31768	KEÇE	SEAL RING D50	4				
25	F03/30405	SEGMAN	SNAP RING D30	1				
26	F03/30625	RULMAN	BEARING	1				
27	F03/31613	PTO ŞANZUMAN ŞAFTI	PTO TRANSMISSION SHAFT	1				



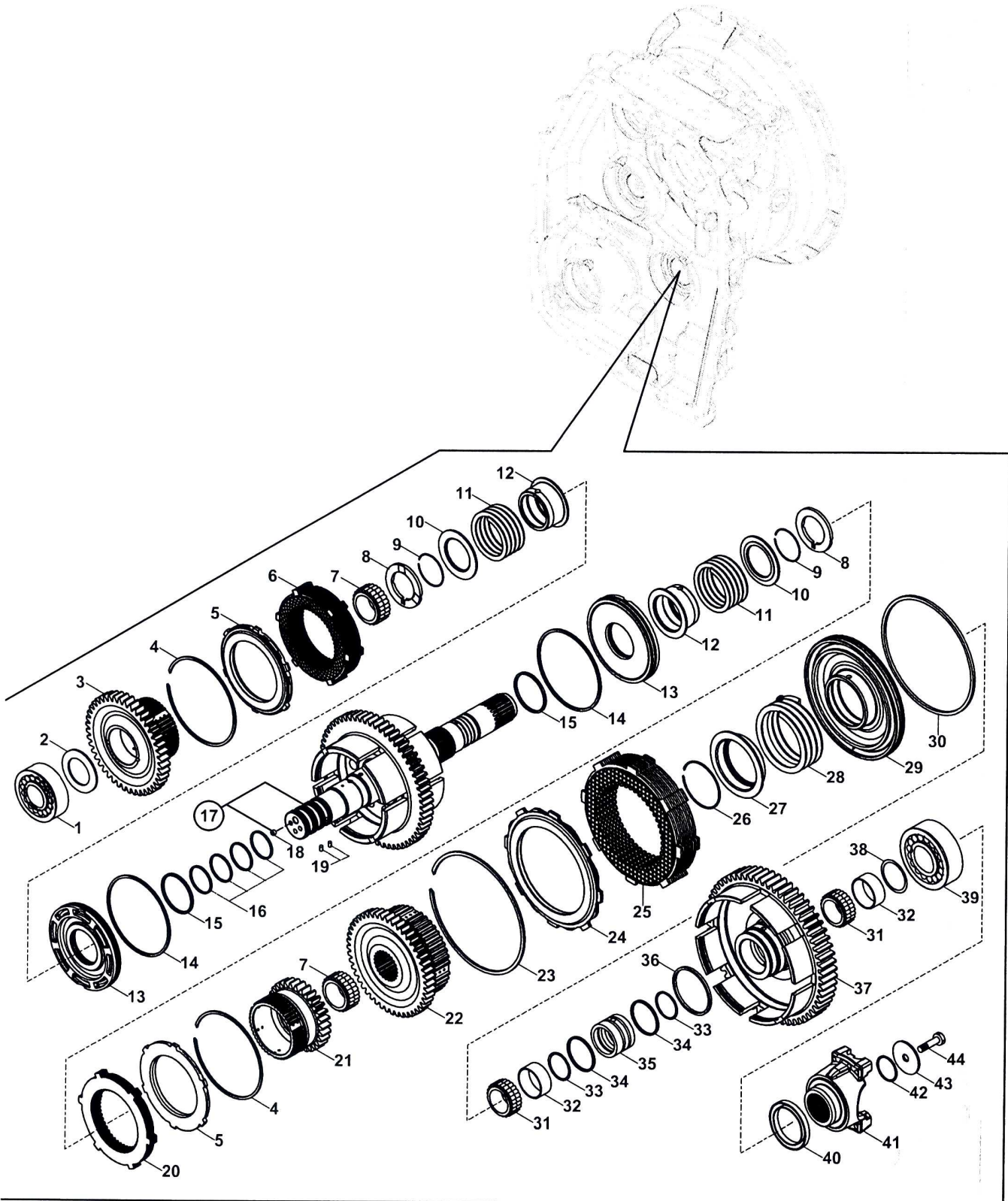
GERİ VİTES ŞAFTI VE PRİMER ŞAFT  
REVERSE SHAFT AND PRIMARY SHAFT



**GERİ VİTES ŞAFTI VE PRİMER ŞAFT  
REVERSE SHAFT AND PRIMARY SHAFT**

NO NO	PARÇA NO PART NO	TANIM	DESCRIPTION	ADET QTY	S.K. S.C.	SERİ NO SERIAL NO	D.T. ICA	NOT NOTE
	F03/32286							
	F03/32287				RK			
1	F03/30638	RULMAN	BEARING	2	RK			
2	F03/31587	GERİ VİTES ŞAFTI, 27 DİŞ	REVERSE SHAFT Z27	1				
3	F03/31825	KEÇE	SEAL RING D40	2				
4	F03/30662	RULMAN	BEARING	1				
5	F03/31464	DİŞLİ, 45 DİŞ	GEAR Z45	1				
6	F03/30420	SEGMAN	SNAP RING D50	1				
7	F03/31656	AYAR PULU 60x50x4	THRUST WASHER 60x50x4	2				
8	F03/30698	İÇNELİ RULMAN	NEEDLE BEARING BUSH	1				
9	F03/31845	DİŞLİ, 28 DİŞ	GEAR Z28	1				
10	F03/30547	TESBİT HALKASI	LOCKRING	1				
11	F03/31520	KAVRAMA PLAKASI	CLUTCH PLATE LOCKRING	1				
12	F03/31883	KAVRAMA KITI	CLUTCH KIT (2nd- 3rd)	1				
13	F03/31846	AYAR PULU	THRUST WASHER	1				
14	F03/30529	TESBİT HALKASI	LOCKRING	1				
15	F03/31492	YAY KAPAK HALKASI	LOCK-SPRING COVER	1				
16	F03/31721	YAY	SPRING	1				
17	F03/31654	KAVRAMA MANŞONU	CLUTCH SLEEVE	1				
18	F03/31653	KAVRAMA PİSTONU	CLUTCH PISTON	1				
19	F03/31689	KEÇE	SEAL RING	1				
20	F03/31688	KEÇE	SEAL RING D55	1				
21	F03/30341	PİM	SPLIT PIN D3x8	2				
22	F03/30294	PERÇİN	RIVET D7	1	(K1)			
23	F03/30892	ŞAFT, 58/17 DİŞ	SHAFT Z58/17	1	K1			
24	F03/30671	RULMAN	BEARING	1				
25	F03/31687	KEÇE	SEAL RING D45	1				

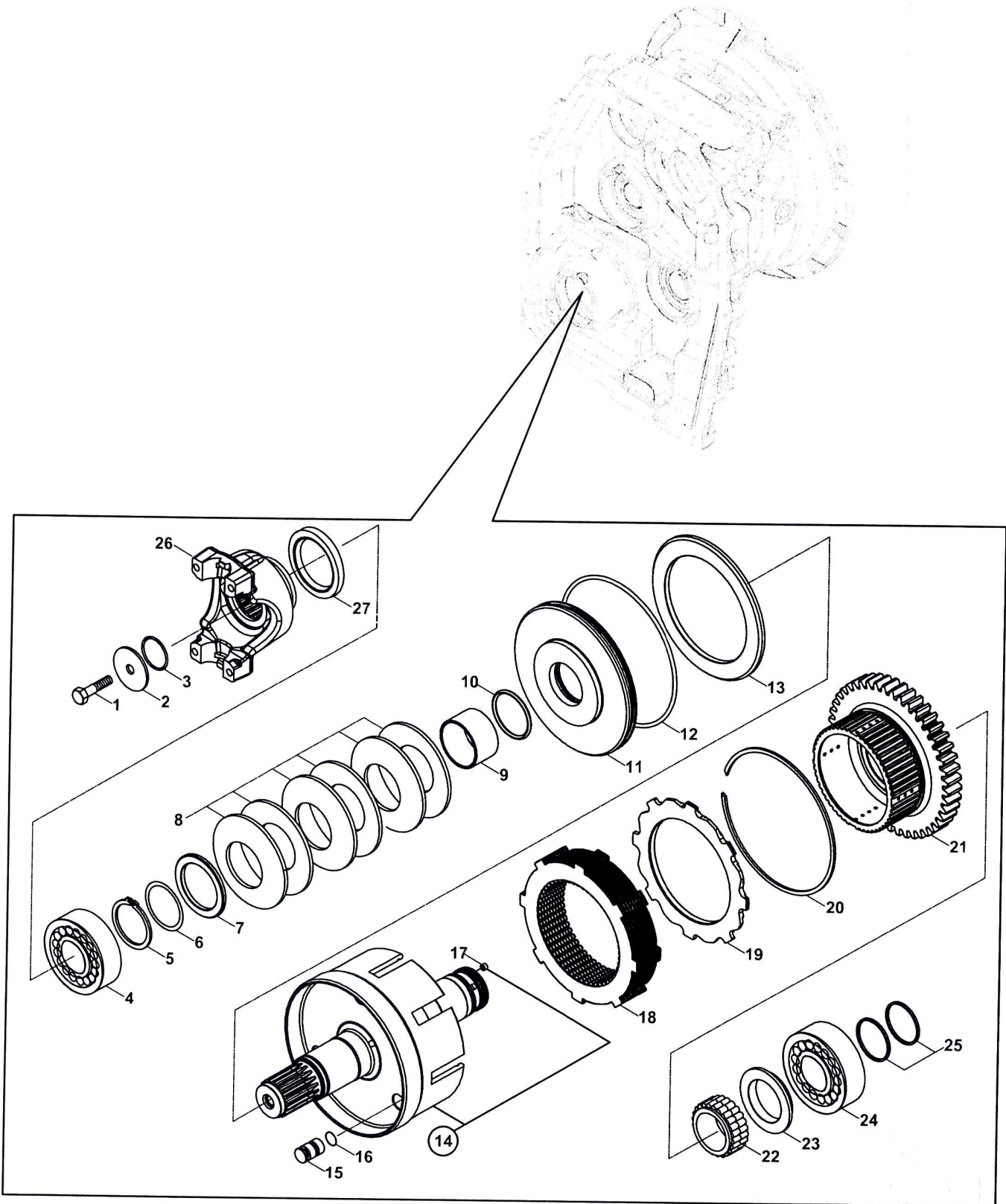
ARA ŞAFT, ŞANZUMAN  
SECONDARY SHAFT, TRANSMISSION



**ARA ŞAFT, ŞANZUMAN**  
**SECONDARY SHAFT, TRANSMISSION**

NO NO	PARÇA NO PART NO	TANIM	DESCRIPTION	ADET QTY	S.K. S.C.	SERİ NO SERIAL NO	D.T. ICA	NOT NOTE
	F03/32288							
1	F03/30651	RULMAN	BEARING	1				
2	F03/31655	AYAR PULU	THRUST WASHER	1				
3	F03/31852	DİŞLİ, 44 DİŞ	GEAR Z44	1				
4	F03/30547	TESBİT HALKASI	LOCKRING	2				
5	F03/31520	KAVRAMA PLAKASI	CLUTCH PLATE LOCKRING	2				
6	F03/31883	KAVRAMA KITI	CLUTCH KIT (2nd- 3rd)	1				
7	F03/30698	İĞNELİ RULMAN	NEEDLE BEARING BUSH	2				
8	F03/31656	AYAR PULU 60x50x4	THRUST WASHER 60x50x4	2				
9	F03/30529	TESBİT HALKASI	LOCKRING	2				
10	F03/31492	YAY KAPAK HALKASI	LOCK-SPRING COVER	2				
11	F03/31721	YAY	SPRING	2				
12	F03/31654	KAVRAMA MANŞONU	CLUTCH SLEEVE	2				
13	F03/31653	KAVRAMA PİSTONU	CLUTCH PISTON	2				
14	F03/31689	KEÇE	SEAL RING	2				
15	F03/31688	KEÇE	SEAL RING D55	2				
16	F03/31687	KEÇE	SEAL RING D45	4				
17	F03/30893	ŞAFT, 60 DİŞ	SHAFT Z60	1	K1			
18	F03/30294	PERÇİN	RIVET D7	3	(K1)			
19	F03/30341	PİM	SPLIT PIN D3x8	2				
20	F03/31884	KAVRAMA KITI	CLUTCH KIT (4th)	1				
21	F03/31850	DİŞLİ, 30 DİŞ	GEAR Z30	1				
22	F03/31853	DİŞLİ, 47 DİŞ	GEAR Z47	2				
23	F03/30546	TESBİT HALKASI	LOCKRING	1				
24	F03/31611	KAVRAMA PLAKASI	LOCKRING	1				
25	F03/31882	KAVRAMA KITI	CLUTCH KIT (1st)	1				
26	F03/30519	TESBİT HALKASI	LOCKRING	1				
27	F03/31717	YAY KAPAK HALKASI	LOCK-SPRING COVER	1				
28	F03/31718	YAY	SPRING	1				
29	F03/31857	KAVRAMA PİSTONU	CLUTCH PISTON	1				
30	F03/31792	KEÇE	SEAL RING D198	1				
31	F03/30705	İĞNELİ RULMAN	NEEDLE BEARING BUSH	2				
32	F03/30728	YATAK BURCU	BUSH	2				
33	F03/30798	O-RING	O-RING	2				
34	F03/31773	KEÇE	SEAL RING D55	2				
35	F03/31851	ARA HALKASI	SPACER	1				
36	F03/31798	KEÇE	SEAL RING D80	1				
37	F03/31847	DİŞLİ, 60 DİŞ	GEAR Z60	1				
38	F03/31910	PUL	WASHER	1				
39	F03/30671	KEÇE	SEAL RING	1				
40	F03/30605	KEÇE	SEAL RING	1				
41	F03/31862	FLANŞ	FLANGE	1				
42	F03/30783	O-RING	O-RING	1				
43	F03/31354	PUL	WASHER	1				
44	F03/31218	CIVATA, M12x25	BOLT M12x25	1				

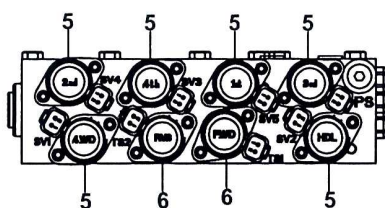
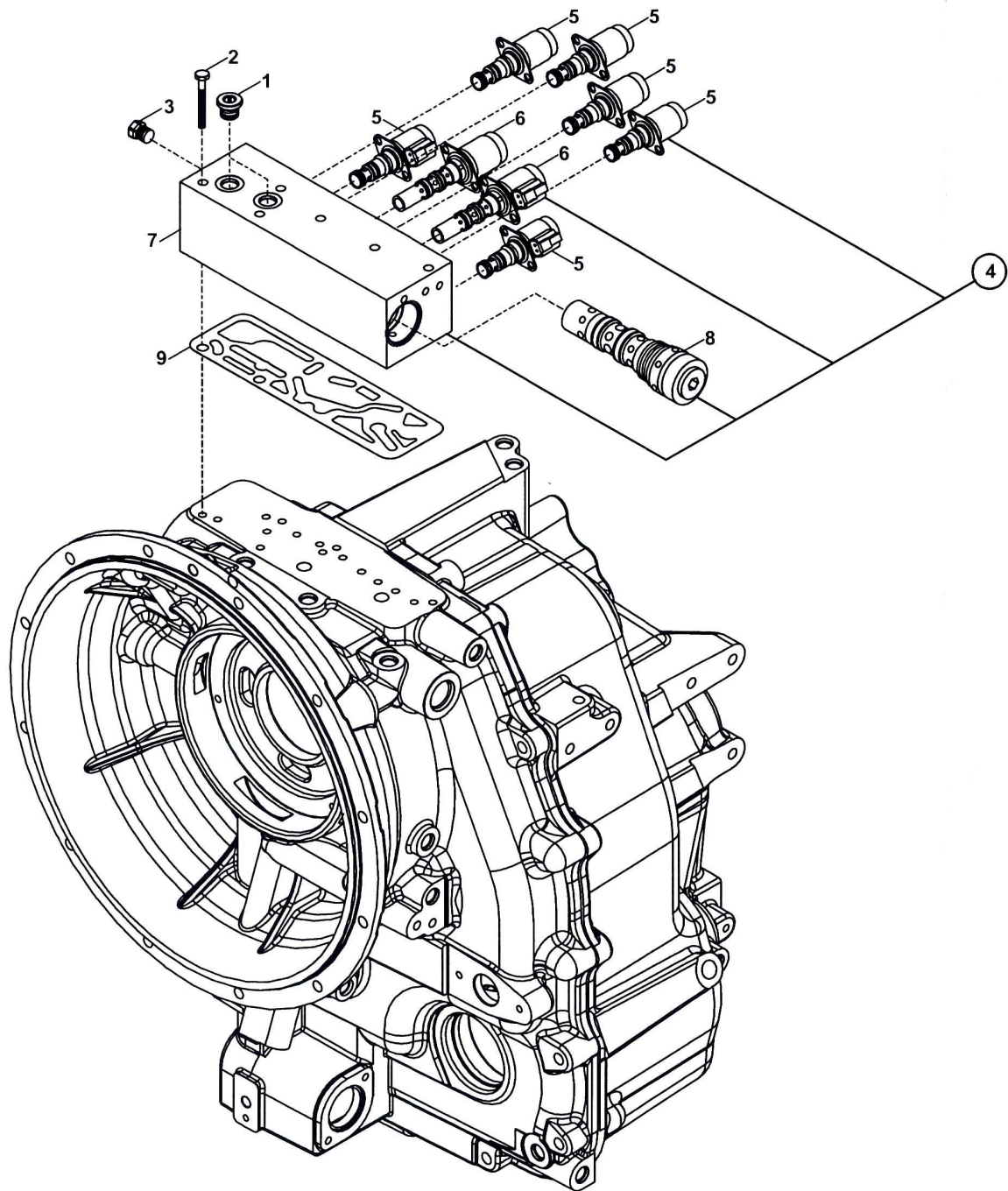
ÇIKIŞ MİLİ, ŞANZUMAN  
OUTPUT SHAFT, TRANSMISSION



**ÇIKIŞ MILİ, ŞANZUMAN  
OUTPUT SHAFT, TRANSMISSION**

NO NO	PARÇA NO PART NO	TANIM	DESCRIPTION	ADET QTY	S.K. S.C.	SERİ NO SERIAL NO	D.T. ICA	NOT NOTE
	F03/32289				RK			
1	F03/31218	CIVATA, M12x25	BOLT M12x25	1				
2	F03/31354	PUL	WASHER	1				
3	F03/30719	O-RING	O-RING	1				
4	F03/30639	RULMAN	BEARING	1				
5	F03/30414	SEGMAN	SNAP RING	1				
6	F03/31086	ŞİM, 0.1 mm	SHIM 0.1 mm	*	GK			
6	F03/31087	ŞİM, 0.3 mm	SHIM 0.3 mm	*	GK			
6	F03/31088	ŞİM, 0.5 mm	SHIM 0.5 mm	*	GK			
7	F03/31621	AYAR PULU	THRUST WASHER	1				
8	F03/31629	KONİK PUL	BELLEVILLE WASHER	6				
9	F03/31624	ARA HALKASI	SPACER	1				
10	F03/30748	O-RING	O-RING	1				
11	F03/31711	KAVRAMA PİSTONU	CLUTCH PISTON	1				
12	F03/30784	O-RING	O. RING	1				
13	F03/31614	FRAN DESTEK PLAKASI	BRAKE PLATE	1				
14	F03/30894	SAFT, 4WD	4WD SHAFT	1	K1			
15	F03/31712	PİM	BRAKE PIN	3				
16	F03/30744	O-RING	O-RING	3				
17	F03/30295	PERÇİN	RIVET D6	1	(K1)			
18	F03/31885	KAVRAMA KITI	CLUTCH KIT (4WD)	1				
19	F03/31744	TESBIT HALKASI	LOCKRING	1				
20	F03/30509	TESBIT HALKASI	LOCKRING	1				
21	F03/31855	DİŞLİ, 45 DİŞ	GEAR Z45	1				
22	F03/30698	İĞNELİ RULMAN	NEEDLE BEARING BUSH	1				
23	F03/31671	AYAR PULU	THRUST WASHER	1				
24	F03/30651	RULMAN	BEARING	1				
25	F03/31687	KEÇE	SEAL RING D45	2				
26	F03/31782	FLANŞ	FLANGE	1				
27	F03/30605	KEÇE	SEAL RING	1				

KONTROL VALFİ, ŞANZUMAN  
CONTROL VALVE, TRANSMISSION



**KONTROL VALFİ, ŞANZUMAN**  
**CONTROL VALVE, TRANSMISSION**

NO NO	PARÇA NO PART NO	TANIM	DESCRIPTION	ADET QTY	S.K. S.C.	SERİ NO SERIAL NO	D.T. ICA	NOT NOTE
1	F03/32276	TAPA	PLUG	2	RK			
2	F03/30170	ÇIVATA, M8x90	BOLT M8x90	6				
3	F03/30820	TAPA	PLUG	3				
4	F03/31867	KONTROL VALFİ	CONTROL VALVE	1	K1			
5		AÇIK-KAPALI VALF	ON- OFF VALVE	6	(K1)			
6		ORANSAL VALF	PROPORTIONAL VALVE	2	(K1)			
7		VALF BLOĞU	VALVE BLOCK	1	(K1)			
8	F03/31915	RAMP VALFİ	RAMP VALVE	1	(K1)			
9	F03/31873	CONTA	GASKET	1				