
HIDROMEK®



HMK 300 LC-LR
Yedek Parça
Katalođu
Parts Catalogue

10.03.2010
H257311300
MITSUBISHI 5125001-

www.hidromek.com.tr

ÖNSÖZ

HMK 300 LC İş Makinesini tercih ettiğiniz için teşekkür ederiz.

Bu katalog HMK 300 LC' nin yedek parça hizmeti için hazırlanmıştır.

İyi bir servis hizmeti ve doğru parça seçimi için kataloğun kapsamı ile ilgili aşağıda belirtilen açıklamaları okuyunuz ve anlayınız.

No

Gösterilen parçanın poz numarasını verir.

Parça No

Resimde gösterilen parçaların parça numarasını gösterir.

Adı

Parçanın adını gösterir.

Adet

Parçanın o sayfada yer alan gruptaki kullanım adedini gösterir.

Not

Parçaların tanımlarında yer almayan açıklamaları gösterir.

Seri No

Parçanın kullanıldığı makinenin seri numarasını gösterir. Örneğin;

2134001-2134005 → gösterilen parça 2134001'den 2134005' e kadar kullanılmıştır. (2134001-2134005 dahil)

3134001- → gösterilen parça 3134001'den itibaren kullanılmıştır.

2134001,2134005 → gösterilen parça 2134001 ve 2134005 seri nolu makinalarda kullanılmıştır.

Y.Kul.

Parçaların birbirleri yerine kullanılabilirliğini ifade eder.

A → Birbirlerinin yerine kullanılabilirler. (eski parça ↔ yeni parça)

B → Biri diğerinin yerine kullanılabilir. (eski parça → yeni parça)

C → Biri diğerinin yerine kullanılabilir. (eski parça ← yeni parça)

D → Birbirlerinin yerine kullanılamaz. (eski parça – yeni parça)

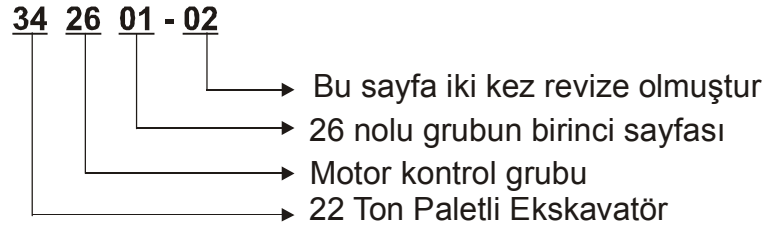
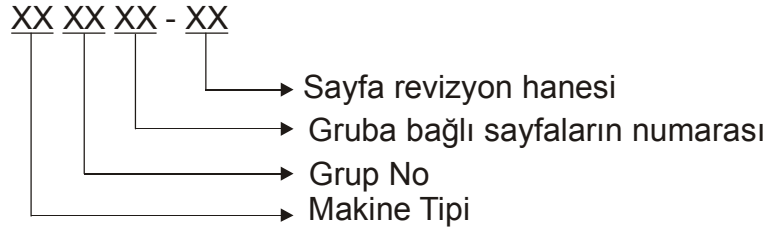
SK

Servis kodu kolonunda yer alan kısaltmaların ařađıda gsterildiđi gibi kendilerine ait anlamları vardır.

- K → Paranın kit iinde yer aldığı anlamına gelir. Kitin iinde yer alan paralar teker teker tedarik edilemez.
- OP → Opsiyonel para
- NSP → Servis parası deđil.
- S → Set. Set iinde yer alan paralar teker teker tedarik edilebilir.

Sayfa Numaralandırma

Sayfaları numaralandırma řu řekilde yapılmıřtır.



PREFACE

We would like to thank you for purchasing HMK 300 LC Construction Equipment.

This catalog has been prepared for ordering spare parts for HMK 300 LC.

For satisfactory service and selection of correct part, read and understand instructions as shown below.

No

This indicates the indicating number of part.

Part No

It shows the part number of the parts which are included in an illustration.

Description

It shows the name of the part.

Q'ty

It shows the quantity use of part for the group that was illustrated on page.

Note

It shows explanations, which are not given in description.

Serial No

It shows the machine serial number in which the parts are used. For example;

2134001-2134005→the part that is shown in illustration was used from 2134001 to 2134005. (2134001 and 2134005 included)

3134001- →the part that is shown in illustration was used from 3134001.

2134001,2134005→the part that is shown in illustration was used 2134001 and 2134005.

ICA

This indicates the interchangeability of the parts between a new one and old one.

- A → Mutual interchangeability (old part ↔new part)
- B → One way interchangeability (old part → new part)
- C → One way interchangeability (old part ← new part)
- D → No interchangeability (old part – new part)

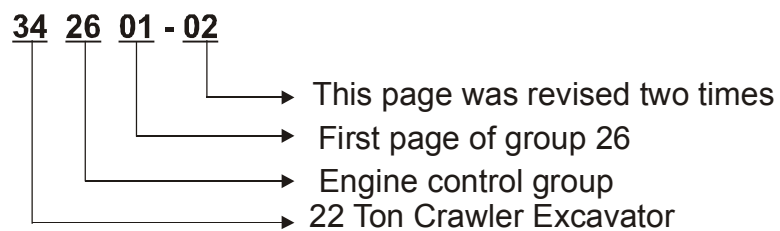
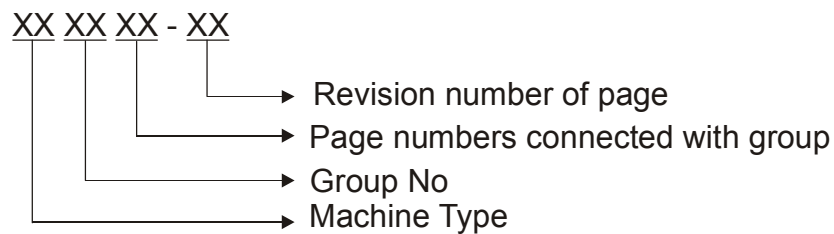
SC

Abbreviations on service code column have their own meaning as show below.

- K → This means that the part is contained in the kit. Parts are given with KIT, can not be supplied individually.
- OP → Optional part
- NSP → Non service part.
- S → Set. Parts are given with set, can be supplied individually.

Ordering Pages

Ordering pages are done as below.



KISALTMALAR / ABBREVIATIONS

KISALTMA ABBREVIATION	ORJINAL KELİME	ORIGINAL WORD
&	VE	AND
AIRCON		AIRCONDITION
A.K.	ALTI KÖŞE	
A.K.B.	ALTI KÖŞE BAŞLI	
A.K.V.	ANA KONTROL VALFİ	
Accum.		ACCUMULATOR
AM	ARM	ARM
AR	GEREĞİ KADAR	AS REQUIRED
Ass'y.		ASSEMBLY
B.H.H.	BASINÇLI HİDROLİK HORTUM	
BKT	KEPÇE	BUCKET
BM	BOM	BOOM
Brg.		BEARING
CONN	ADAPTÖR	CONNECTOR
Dis.		DISCHARGE
F		FRONT
F/W		FLYWHEEL
Hd.		HEAD
Hex.		HEXAGON
Htr.		HEATER
I/C	HAVA SOĞUTUCU	INTERCOOLER
ICA		INTERCHANGEABILITY
K	KİT	KIT
K.M.	KAYNAKLI MONTAJ	
L/H		LEFT HAND
M.C.V.		MAIN CONTROL VALVE
MOD	MODİFİYE EDİLMİŞTİR	MODIFIED
NSP	SERVİS PARÇASI DEĞİL	NON SERVICE PART
OP	OPSİYON	OPTION
OS	NORMALDEN BÜYÜK	OVERSIZED
Pln.		PLAIN
R		REAR
REV	REVİZYON	REVISION
R/H		RIGHT HAND
RPM	BİR DAKİKADAKİ DEVİR	REVOLUTION PER MINUTE
S	SET	SET
S.B.	SİLİNDİRİK BAŞLI	
SP	SERVİS PARÇASI	SERVICE PART
Spr.		SPRING
Srw.		SCREW
STD	STANDART	STD
Suc.		SUCTION
SW	DÖNÜŞ MOTORU	SWING
T/C	TURBOŞARJ	TURBOCHARGE
T/Joint		TURNING JOINT
T/M		TRANSMISSION
TRL	SEGMAN YÜKSEKLİĞİ	TOP RING LENT LOCATION
TRV	YÜRÜYÜŞ	TRAVEL
US	NORMALDEN KÜÇÜK	UNDERSIZED
W.A.		WELDING ASSEMBLY
W/	BİRLİKTE	WITH
W/O	AYRI	WITHOUT
Y.Kul.	YERİNE KULLANIM	
Y.S.B.	YILDIZ SİLİNDİRİK BAŞLI	

İÇİNDEKİLER

	SAYFA	REV.
OPSİYON		
KIRICI TESİSATI MONTAJI (1) (OP).....	250101	
KIRICI TESİSATI MONTAJI (2) (OP).....	250102	
KIRICI MONTAJI (OP).....	250103	
RİPER (OP).....	250301	
TEPE LAMBASI MONTAJI (OP).....	250501	
ARKA ÇALIŞMA LAMBASI MONTAJI (OP).....	250502	
ÖN ÇALIŞMA LAMBASI MONTAJI (OP).....	250503	
KORYUCU KAFES (OP).....	250504	
KAPORTA		
KAPORTA MONTAJI (1).....	251101	
KAPORTA MONTAJI (2).....	251102	
KAPORTA MONTAJI (3).....	251103	
KAPORTA MONTAJI (4).....	251104	
KAPORTA MONTAJI (5).....	251105	
KAPORTA MONTAJI (6).....	251106	
ÜST ŞASE		
ÜST ŞASI MONTAJI.....	251201	
AKÜ SANDIĞI MONTAJI.....	251202	
YÜRÜME SAÇLARI.....	251203	
MOTOR		
MOTOR MONTAJI.....	252001	
YARIM MOTOR (REVİZYON İÇİN).....	252002	
SİLİNDİR KAFASI KOMPLESİ.....	252003	
SİLİNDİR BLOĞU KOMPLESİ.....	252004	
GÖMLEK VE PİSTON KİTİ.....	252005	
KAM MİLİ KOMPLESİ.....	252006	
MOTOR TAMİR TAKIMI.....	252007	
KÜLBÜTÖR KAPAĞI VE NEFESLİK.....	252008	
SİLİNDİR KAFASI.....	252009	
SİLİNDİR BLOĞU.....	252010	
KARTER – DOLDURMA KAPAĞI – YAĞ SEVİYE ÇUBUĞU.....	252011	
VOLAN VE MUHAFAZASI.....	252012	
PİSTON – BİYEL KOLU – KRANK MİLİ.....	252013	
KAM MİLİ – SUBAP.....	252014	
ZAMANLAMA DİŞLİSİ.....	252015	
AKSESUARLAR.....	252016	
YAĞ POMPASI VE YAĞ SÜZGECİ.....	252017	
YAĞ FİLTRESİ.....	252018	
YAĞ SOĞUTUCU.....	252019	
YAĞLAMA TESİSATI.....	252020	
YAKIT TESİSATI VE SU AYIRICI.....	252021	
YAKIT FİLTRESİ VE TESİSATI.....	252022	
YAKIT ENJEKSİYON POMPASI MONTAJI.....	252023	
YAKIT ENJEKSİYON POMPASI.....	252024	
REGÜLATÖR (1/2).....	252025	
REGÜLATÖR (2/2).....	252026	
OTOMATİK ZAMANLAYICI.....	252027	
YAKIT BESLEME POMPASI.....	252028	
ENJEKSİYON POMPASI BAĞLANTISI.....	252029	

	SAYFA	REV.
YAKIT ENJEKSİYON TESİSATI VE NOZULU	252030	
YAKIT DÖNÜŞ HORTUMU.....	252031	
SU POMPASI VE FAN MONTAJI.....	252032	
TERMOSTAT VE BAĞLANTISI.....	252033	
GİRİŞ MANİFOLDU.....	252034	
EGZOZ MANİFOLDU.....	252035	
TURBOŞARJ.....	252036	
MARŞ MOTORU.....	252037	
ALTERNATÖR VE REGÜLATÖR.....	252038	
ETİKET.....	252039	
MOTOR ELEKTRİK TESİSATI ELEMANLARI.....	252040	
KAVRAMA MONTAJI.....	252101	
HAVA FİLTRESİ		
HAVA FİLTRESİ MONTAJI.....	252201	
EGZOZ		
EGZOZ MONTAJI.....	252301	
MOTOR SOĞUTMA		
SOĞUTMA DONANIMI.....	252401	
RADYATÖR.....	252402	
YAKIT DONANIMI		
YAKIT DEPOSU MONTAJI VE YAKIT HATTI.....	252501	
MOTOR KONTROL		
MOTOR KONTROL MONTAJI.....	252601	
KLİMA – ISITICI		
KLİMA MONTAJI.....	252701	
ISITICI MONTAJI.....	252702	
ANA TESİSAT		
ANA HİDROLİK MONTAJI (1/3).....	253001	
ANA HİDROLİK MONTAJI (2/3).....	253002	
ANA HİDROLİK MONTAJI (3/3).....	253003	
ANA KUMANDA VALFİ (1).....	253004	
ANA KUMANDA VALFİ (2).....	253005	
ANA KUMANDA VALFİ (3).....	253006	
ANA KUMANDA VALFİ (4).....	253007	
ANA KUMANDA VALFİ (5).....	253008	
ANA KUMANDA VALFİ (6).....	253009	
ANA KUMANDA VALFİ (7).....	253010	
ANA KUMANDA VALFİ (8).....	253011	
HİDROLİK POMPA.....	253012	
PİLOT POMPA.....	253013	
ORANSAL BASINÇ KONTROL VALFİ.....	253014	
POMPA REGÜLATÖRÜ.....	253015	
DİŞLİ KUTUSU – KULE DÖNÜŞ ÜNİTESİ.....	253016	
MÖTOR – KULE DÖNÜŞ ÜNİTESİ.....	253017	
ALT ŞASE HİDROLİĞİ		
ALT ŞASE HİDROLİK AKSAM MONTAJI.....	253101	

	SAYFA	REV.
DİŞLİ KUTUSU – YÜRÜYÜŞ ÜNİTESİ.....	253102	
MÖTOR – YÜRÜYÜŞ ÜNİTESİ.....	253103	
DÖNER DAĞITICI.....	253104	
PILOT DEVRE TESİSATI		
PILOT DEVRE MONTAJI 1 (1/2).....	253201	
PILOT DEVRE MONTAJI 1 (2/2).....	253202	
PILOT DEVRE MONTAJI 2 (1/2).....	253203	
PILOT DEVRE MONTAJI 2 (2/2).....	253204	
PILOT DEVRE MONTAJI 3.....	253205	
JOİSTİK (SAĞ/SOL).....	253206	
PEDAL.....	253207	
3'LÜ ÖNCELİK SELENOİD VALFİ.....	253208	
3'LÜ SELENOİD VALF.....	253209	
ATAÇMAN TESİSATI		
ATAÇMAN TESİSATI.....	253301	
ANA BOM SİLİNDİRİ (SAĞ/SOL).....	253302	
KEPÇE SİLİNDİRİ.....	253303	
UÇ BOM SİLİNDİRİ.....	253304	
HİDROLİK DEPO		
HİDROLİK DEPO MONTAJI.....	253401	
DÖNÜŞ VE SIZINTI HATTI		
DÖNÜŞ VE SIZINTI HATTI MONTAJI.....	253601	✓
ALT ŞASE		
ALT ŞASI MONTAJI.....	254101	
TAŞIYICI MAKARA.....	254102	
YÜRÜYÜŞ MAKARASI.....	254103	
İSTİKAMET TEKERİ.....	254104	
GERDİRME MEKANİZMASI.....	254105	
PALET KOMPLESİ.....	254201	
ATAÇMAN MONTAJI		
ANA BOM MONTAJI.....	255101	
UÇ BOM MONTAJI.....	255201	
GENEL AMAÇLI KEPÇE.....	255301	
ÇALIŞMA ATAÇMANLARI KONTROLÜ.....	255401	
YAĞLAMA DONANIMI		
YAĞLAMA DONANIMI MONTAJI.....	255801	
KABİN MONTAJI		
KABİN MONTAJI.....	256001	
KABİN (1).....	256002	✓
KABİN (2).....	256003	
KABİN (3).....	256004	
KONSOL KUTUSU (SAĞ).....	256101	
KONSOL KUTUSU (SOL).....	256102	
KABİN İÇİ MONTAJI (1).....	256103	
KABİN İÇİ MONTAJI (2).....	256104	
OPERATÖR KOLTUĞU.....	256105	

	SAYFA	REV.
ETİKET		
ETİKET MONTAJI (TÜRKÇE).....	257001	
ETİKET MONTAJI (İNGİLİZCE).....	257002	
ELEKTRİK		
ELEKTRİK (1).....	258001	
ELEKTRİK (2).....	258002	
ELEKTRİK (3).....	258003	
ANA ELEKTRİK TESİSATI.....	258004	
MOTOR ELEKTRİK TESİSATI.....	258005	
KABİN ELEKTRİK TESİSATI.....	258006	
PARÇA NUMARASI İNDEKSİ		
PARÇA ADI İNDEKSİ		

CONTENTS

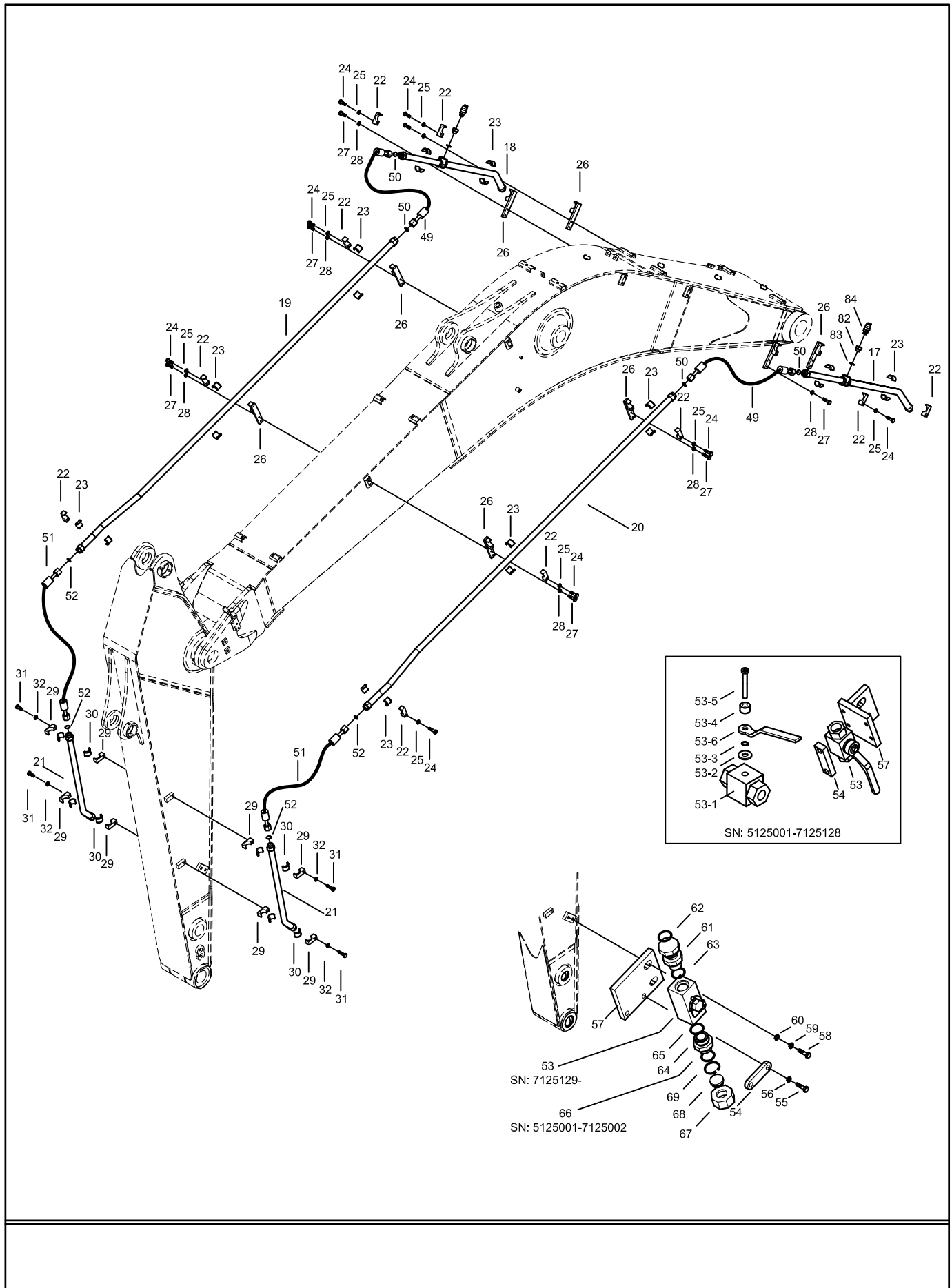
	PAGE	REV.
OPTION		
BREAKER PIPING MOUNTING (1) (OP).....	250101	
BREAKER PIPING MOUNTING (2) (OP).....	250102	
BREAKER MOUNTING (OP).....	250103	
RIPPER (OP).....	250301	
BEACON MOUNTING (OP).....	250501	
REAR WORK LAMP MOUNTING (OP).....	250502	
FRONT WORK LAMP MOUNTING (OP).....	250503	
WINDOW GUARD (OP).....	250504	
 COWLING		
COWLING MOUNTING (1).....	251101	
COWLING MOUNTING (2).....	251102	
COWLING MOUNTING (3).....	251103	
COWLING MOUNTING (4).....	251104	
COWLING MOUNTING (5).....	251105	
COWLING MOUNTING (6).....	251106	
 UPPER FRAME		
UPPER FRAME MOUNTING.....	251201	
BATTERY BOX MOUNTING.....	251202	
ANTI-SLIP WALKWAY.....	251203	
 ENGINE		
ENGINE MOUNTING.....	252001	
SHORT ENGINE ASSEMBLY.....	252002	
SERVICE CYLINDER HEAD ASSEMBLY.....	252003	
SERVICE CYLINDER BLOCK ASSEMBLY.....	252004	
LINER AND PISTON KIT.....	252005	
SERVICE CRANKSHAFT ASSEMBLY.....	252006	
ENGINE OVERHAUL GASKET KIT.....	252007	
ROCKER COVER AND BREATHER.....	252008	
CYLINDER HEAD.....	252009	
CYLINDER BLOCK.....	252010	
OIL PAN – FILLER – GAUGE.....	252011	
FLYWHEEL AND HOUSING.....	252012	
PISTON – CONNROD – CRANKSHAFT.....	252013	
CAMSHAFT – VALVE.....	252014	
TIMING GEAR.....	252015	
ATTACHING PARTS.....	252016	
OIL PUMP AND STRAINER.....	252017	
OIL FILTER.....	252018	
OIL COOLER.....	252019	
OIL LINE.....	252020	
FUEL LINE AND WATER SEPARATOR.....	252021	
FUEL FILTER AND HOSE.....	252022	
FUEL INJECTION PUMP GENERAL.....	252023	
INJECTION PUMP.....	252024	
GOVERNOR (1/2).....	252025	
GOVERNOR (2/2).....	252026	
AUTOMATIC TIMER.....	252027	
FUEL FEED PUMP.....	252028	
INJECTION PUMP COUPLING.....	252029	

	PAGE	REV.
INJECTION PIPE AND NOZZLE.....	252030	
FUEL RETURN HOSE.....	252031	
WATER PUMP AND FAN MOUNTING.....	252032	
WATER PIPE AND THERMOSTAT.....	252033	
INLET MANIFOLD.....	252034	
EXHAUST MANIFOLD.....	252035	
TURBOCHARGER.....	252036	
STARTER.....	252037	
ALTERNATOR AND REGULATOR.....	252038	
PLATE AND LABEL.....	252039	
CHASSIS HARNESS EQUIPMENT.....	252040	
COUPLING ASSEMBLY.....	252101	
AIR INTAKE		
AIR INTAKE MOUNTING.....	252201	
EXHAUST		
EXHAUST MOUNTING.....	252301	
COOLING SYSTEM		
COOLING SYSTEM.....	252401	
RADIATOR.....	252402	
FUEL TANK AND LINE		
FUEL TANK MOUNTING AND FUEL LINE.....	252501	
ENGINE CONTROL		
ENGINE CONTROL MOUNTING.....	252601	
AIRCONDITION - HEATER		
AIRCONDITION MOUNTING.....	252701	
HEATER MOUNTING.....	252702	
MAIN PIPING		
MAIN PIPING MOUNTING (1/3).....	253001	
MAIN PIPING MOUNTING (2/3).....	253002	
MAIN PIPING MOUNTING (3/3).....	253003	
MAIN CONTROL VALVE (1).....	253004	
MAIN CONTROL VALVE (2).....	253005	
MAIN CONTROL VALVE (3).....	253006	
MAIN CONTROL VALVE (4).....	253007	
MAIN CONTROL VALVE (5).....	253008	
MAIN CONTROL VALVE (6).....	253009	
MAIN CONTROL VALVE (7).....	253010	
MAIN CONTROL VALVE (8).....	253011	
HYDRAULIC PUMP.....	253012	
GEAR PUMP.....	253013	
PROPORTIONAL REDUCING VALVE.....	253014	
PUMP REGULATOR.....	253015	
REDUCTION GEAR – SWING UNIT.....	253016	
SWING MOTOR – SWING UNIT.....	253017	
LOWER PIPING		
LOWER PIPING MOUNTING.....	253101	

	PAGE	REV.
REDUCTION GEAR – TRAVEL UNIT.....	253102	
MOTOR ASSEMBLY – TRAVEL UNIT.....	253103	
TURNING JOINT.....	253104	
PILOT PIPING		
PILOT PIPING MOUNTING 1 (1/2).....	253201	
PILOT PIPING MOUNTING 1 (2/2).....	253202	
PILOT PIPING MOUNTING 2 (1/2).....	253203	
PILOT PIPING MOUNTING 2 (2/2).....	253204	
PILOT PIPING MOUNTING 3.....	253205	
REMOTE CONTROL VALVE (R/L).....	253206	
PEDAL.....	253207	
3-SOLENOID PRIORITY VALVE.....	253208	
3-SOLENOID VALVE.....	253209	
ATTACHMENT PIPING		
ATTACHMENT PIPING.....	253301	
BOOM CYLINDER (R/L).....	253302	
BUCKET CYLINDER.....	253303	
ARM CYLINDER.....	253304	
HYDRAULIC TANK		
HYDRAULIC TANK MOUNTING.....	253401	
RETURN AND UPPER DRAIN PIPING		
UPPER DRAIN AND RETURN PIPING MOUNTING.....	253601	✓
LOWER FRAME		
LOWER FRAME MOUNTING.....	254101	
UPPER ROLLER.....	254102	
LOWER ROLLER.....	254103	
IDLER ASSEMBLY.....	254104	
ADJUSTER ASSEMBLY.....	254105	
TRACK CHAIN ASSEMBLY.....	254201	
ATTACHMENT MOUNTING		
BOOM MOUNTING.....	255101	
ARM MOUNTING.....	255201	
GENERAL PURPOSE BUCKET.....	255301	
WORKING ATTACHMENT CONTROL.....	255401	
LUBRICATION PIPING		
LUBRICATION PIPING MOUNTING.....	255801	
CAB MOUNTING		
CAB MOUNTING.....	256001	
CAB (1).....	256002	✓
CAB (2).....	256003	
CAB (3).....	256004	
CONSOLE BOX (R/H).....	256101	
CONSOLE BOX (L/H).....	256102	
CAB INTERIOR MOUNTING (1).....	256103	
CAB INTERIOR MOUNTING (2).....	256104	
OPERATOR SEAT.....	256105	

	PAGE	REV.
DECAL		
DECAL MOUNTING (TURKISH).....	257001	
DECAL MOUNTING (ENGLISH).....	257002	
ELECTRIC		
ELECTRIC (1).....	258001	
ELECTRIC (2).....	258002	
ELECTRIC (3).....	258003	
MAIN HARNESS.....	258004	
ENGINE HARNESS.....	258005	
CAB MAIN HARNESS.....	258006	
PART NO INDEX		
PART DESCRIPTION INDEX		

KIRICI TESİSATI MONTAJI (1) (OP) BREAKER PIPING MOUNTING (1) (OP)



KIRICI TESİSATI MONTAJI (1) (OP)
BREAKER PIPING MOUNTING (1) (OP)

No	Parça No	Adı	Adet	Not	Seri No	Y. Kul. S.K.
No	Part No	Description	Q'ty	Note	Serial No	ICA S.C.
	H250100000	Kırıcı Tesisatı Mont.	Breaker Piping Mount.	1	5125001-6125002	D
	H250100001	Kırıcı Tesisatı Mont.	Breaker Piping Mount.	1	6125003-	D
17	H250100600	Boru Kompleksi	Pipe Ass'y	1	5125001-6125002	D
	H250100601	Boru Kompleksi	Pipe Ass'y	1	6125003-	D
18	H250101000	Boru Kompleksi	Pipe Ass'y	1	5125001-6125002	D
	H250101001	Boru Kompleksi	Pipe Ass'y	1	6125003-	D
19	H250101100	Boru Kompleksi	Pipe Ass'y	1		
20	H250101300	Boru Kompleksi	Pipe Ass'y	1		
21	H250101501	Boru Kompleksi	Pipe Ass'y	2	3,07 Arm	
	H250105100	Boru Kompleksi	Pipe Ass'y	2	2,5 Arm	OP
22	H250102000	Kelepçe	Clamp	10		
23	H250102100	Lastik	Rubber	10		
24	N01/0381238	A.K.B. Civata	Bolt, Hex.	10	M16x55	
25	N03/1310014	Yaylı Rondela	Washer, Spr.	10	M16	
26	H250102200	Kelepçe Sacı, K.M.	Clamp Plate, W.A.	8		
27	N01/0232858	A.K.B. Civata	Bolt, Hex.	16	M12x35	
28	N03/1310012	Yaylı Rondela	Washer, Spr.	16	M12	
29	H250102000	Kelepçe	Clamp	8		
30	H250102100	Lastik	Rubber	4		
31	N01/0381322	A.K.B. Civata	Bolt, Hex.	4	M16x90	
32	N03/1310014	Yaylı Rondela	Washer, Spr.	4	M16	
49	99N076724	Hortum	Hose	2	5125001-6125002	D
	99N076721	Hortum	Hose	2	6125003-	D
50	N10/2002917	O-Ring	O-Ring	4		
51	99Q176739	Hortum	Hose	2		
52	N10/2002917	O-Ring	O-Ring	4		
53	H340102100	Vana	Valve	2	5125001-7125128	D
	H340102101	Vana	Valve	2	** 7125129-	D
53_1	N14/0010800	Vana Gövdesi	Body, Valve	1	5125001-7125128	
53_2	H349070007	Kilit Pulu	Washer, Lock	1	5125001-7125128	
53_3	H349070008	Segman	Retaining Ring	1	5125001-7125128	
53_4	H349070009	Somun	Nut	1	5125001-7125128	
53_5	H349070010	Civata	Bolt	1	5125001-7125128	
53_6	H349070011	Kol	Lever	1	5125001-7125128	
54	H340102201	Kelepçe Sacı, Vana	Clamp Plate, Valve	2	5125001-7125128	D
	H340102202	Kelepçe Sacı, Vana	Clamp Plate, Valve	2	7125129-	D
55	N01/0380986	A.K.B. Civata	Bolt, Hex.	4	M12x100	5125001-7125128
	N01/0380938	A.K.B. Civata	Bolt, Hex.	4	M12x80	7125129-
56	N03/1310012	Yaylı Rondela	Washer, Spr.	4	M12	
57	H340102601	Kelepçe Sacı, K.M.	Clamp Plate, W.A.	2	5125001-7125128	D
	H340102603	Kelepçe Sacı, K.M.	Clamp Plate, W.A.	2	7125129-	D
58	N01/0233578	A.K.B. Civata	Bolt, Hex.	4	M16x40	
59	N03/1310014	Yaylı Rondela	Washer, Spr.	4		

(*) 7125004 dahil. / Includes 7125004.

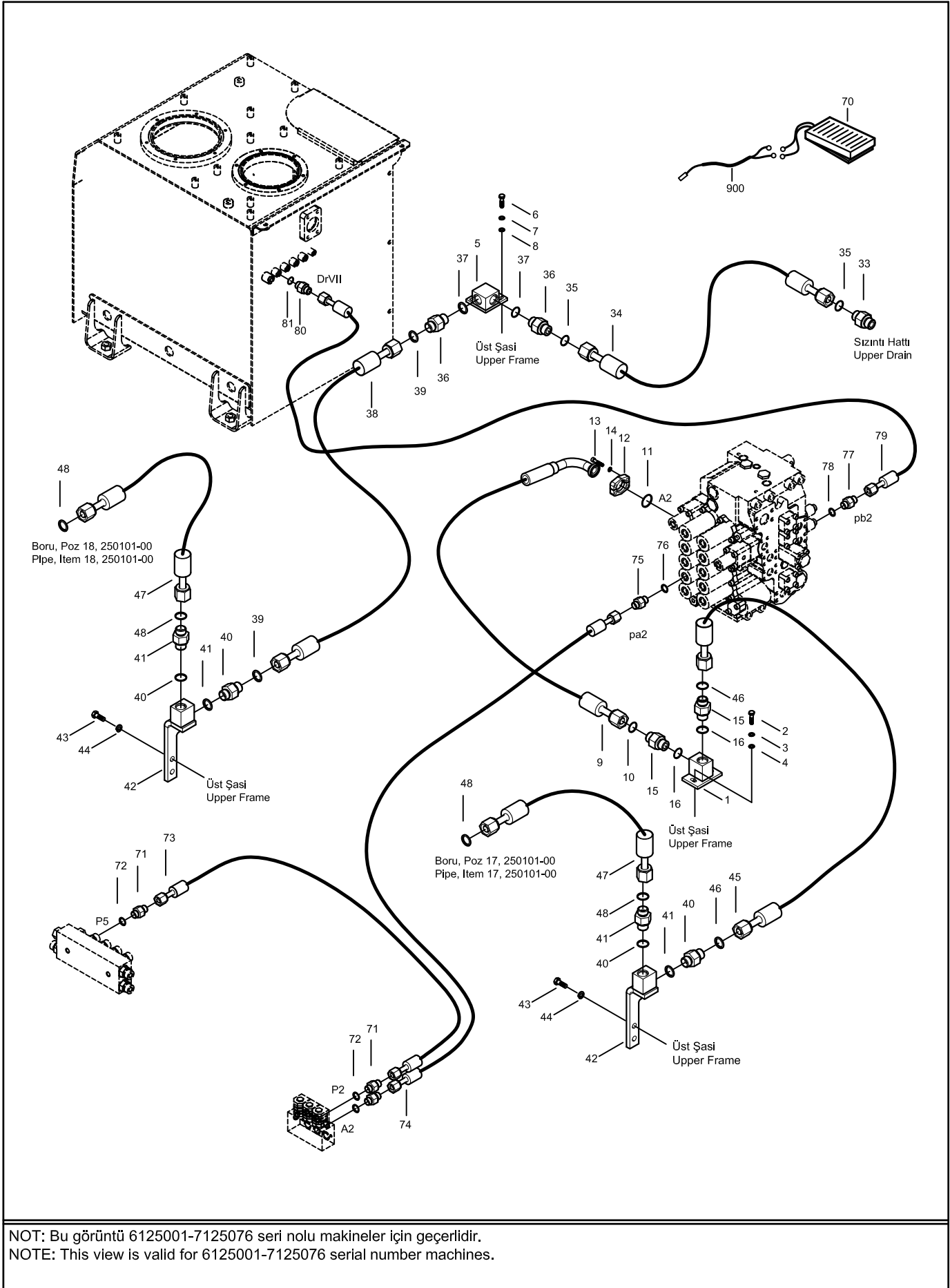
(**) H340102202 ve H340102603 ile birlikte H340102100 yerine kullanılabilir. / It can be used instead of H340102100 with H340102202 and H340102603.

KIRICI TESİSATI MONTAJI (1) (OP)
BREAKER PIPING MOUNTING (1) (OP)

No	Parça No	Adı	Description	Adet	Not	Seri No	Y. Kul. S.K.
No	Part No			Q'ty	Note	Serial No	ICA S.C.
60	N03/0020124	Pul	Washer, Pln.	4			
61	H250102400	Adaptör	Connector	2			
62	N10/2002917	O-Ring	O-Ring	2			
63	N10/2002835	O-Ring	O-Ring	2			
64	N16/K130131	Rekor	Connector	2	*	5125001-7125002	
	N16/K114207	Rekor	Connector	2		7125003-	
65	N10/2002835	O-Ring	O-Ring	2			
66	N10/2002917	O-Ring	O-Ring	2	*	5125001-7125002	
67	H250102500	Yüksük	Ring	2	*	5125001-7125002	
	H250102501	Yüksük	Ring	2		7125003-	
68	H250102600	Tapa	Plug	2	*	5125001-7125002	
	H250102601	Tapa	Plug	2		7125003-	
69	N05/0020064	Segman	Retaining Ring	2	*	5125001-7125002	
	N05/0020063	Segman	Retaining Ring	2		7125003-	
82	H340105700	Adaptör	Connector	2			
83	N10/2002835	O-Ring	O-Ring	2			
84	F99/70100	Manometre Prizi	Coupling, Screw	2			

(*) 7125004 dahil. / Includes 7125004.

KIRICI TESİSATI MONTAJI (2) (OP) BREAKER PIPING MOUNTING (2) (OP)

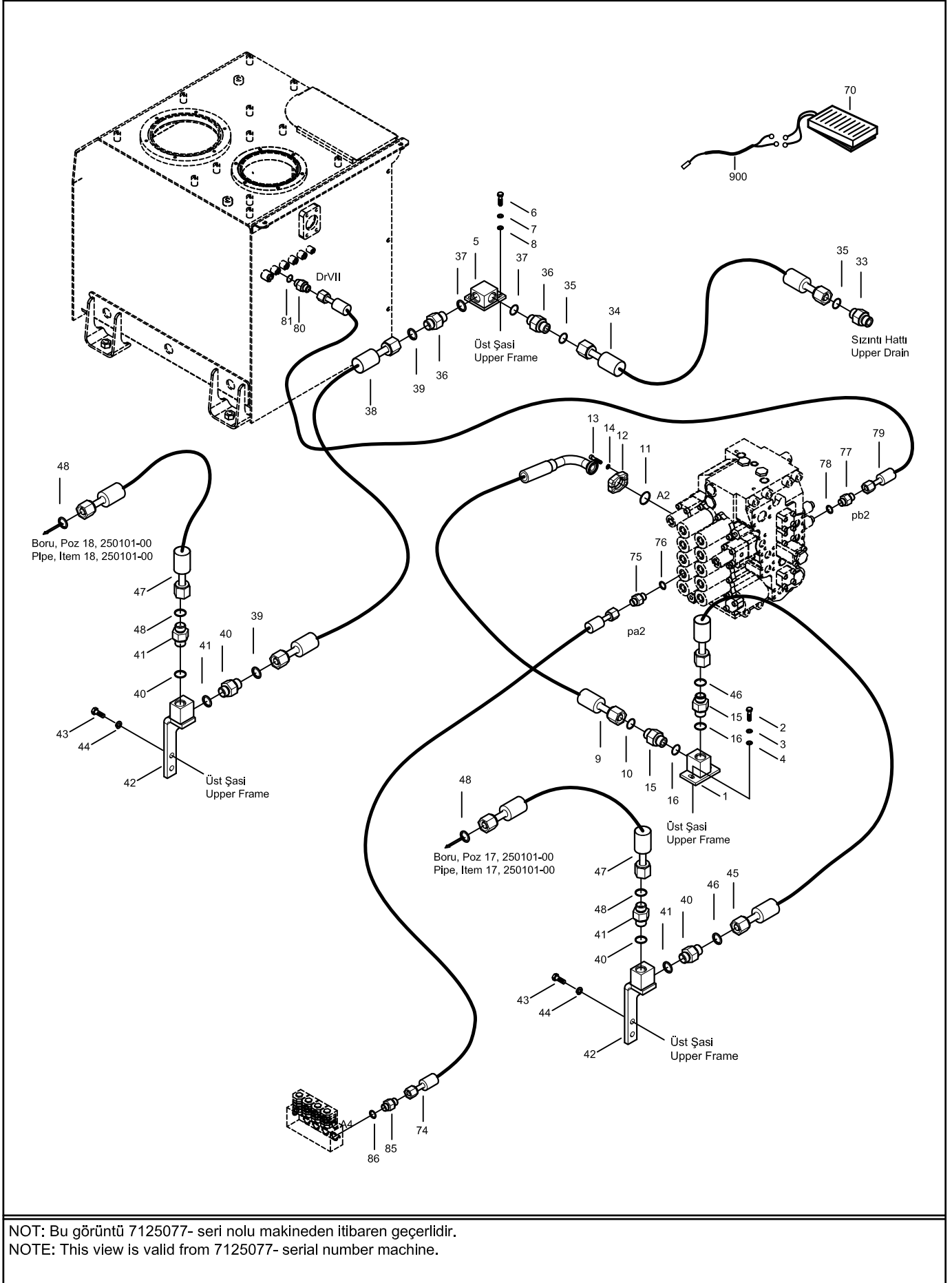


KIRICI TESİSATI MONTAJI (2) (OP)
BREAKER PIPING MOUNTING (2) (OP)

No	Parça No	Adı	Description	Adet	Not	Seri No	Y. Kul. S.K.
No	Part No			Q'ty	Note	Serial No	ICA S.C.
1	H250100100	Dirsek KM, Kırıcı T.	Elbow WA, Breaker P.	1			
2	N01/0232498	A.K.B. Civata	Bolt, Hex.	2	M10x35		
3	N03/1310010	Yaylı Rondela	Washer, Spr.	2	M10		
4	N03/0020121	Pul	Washer, Pln.	2	M10		
5	H250100300	Dirsek KM, Kırıcı T.	Elbow WA, Breaker P.	1			
6	N01/0232498	A.K.B. Civata	Bolt, Hex.	2	M10x35		
7	N03/1310010	Yaylı Rondela	Washer, Spr.	2	M10		
8	N03/0020121	Pul	Washer, Pln.	2	M10		
9	H250100500	Hortum	Hose	1			
10	N10/2002317	O-Ring	O-Ring	1			
11	N10/2003335	O-Ring	O-Ring	1			
12	N16/J360104	Yarım Flanş	Flange	2			
13	N01/5890830	S.B. Civata	Bolt, Cyl. Hd.	4	M10x35		
14	N03/1360010	Yaylı Rondela	Washer, Spr.	4	M10		
15	N16/K130129	Rekor	Connector	2			
16	N10/2002835	O-Ring	O-Ring	2			
33	N16/K230111	Rekor	Connector	1			
34	99Q075612	Hortum	Hose	1			
35	N10/2002317	O-Ring	O-Ring	2			
36	N16/K130129	Rekor	Connector	2			
37	N10/2002835	O-Ring	O-Ring	2			
38	99N075626	Hortum	Hose	1			
39	N10/2002317	O-Ring	O-Ring	2			
40	N16/K130129	Rekor	Connector	4			
41	N10/2002835	O-Ring	O-Ring	4			
42	H340103301	Dirsek KM, Kırıcı T.	Elbow WA, Breaker P.	2			
43	N01/0233566	A.K.B. Civata	Bolt, Hex.	4	M16x35		
44	N03/1310014	Yaylı Rondela	Washer, Spr.	4	M16		
45	99N075616	Hortum	Hose	1	*	5125001-7125002	D
	99N075615	Hortum	Hose	1		7125003-	D
46	N10/2002317	O-Ring	O-Ring	2			
47	99Q175627	Hortum	Hose	2			
48	N10/2002317	O-Ring	O-Ring	4			
70	H340103800	Kırıcı Pedalı	Pedal, Breaker	1			
71	N16/K114342	Rekor	Connector	3		6125001-7125076	
72	N10/2001322	O-Ring	O-Ring	3		6125001-7125076	
73	97N092250	Hortum	Hose	1		6125001-7125076	
74	97Q092238	Hortum	Hose	2			
75	N16/K114342	Rekor	Connector	1			
76	N10/2001322	O-Ring	O-Ring	1			
77	N16/K114342	Rekor	Connector	1			
78	N10/2001322	O-Ring	O-Ring	1			
79	97U092232	Hortum	Hose	1			
80	N16/K114342	Rekor	Connector	1			
81	N10/2001322	O-Ring	O-Ring	1			
900	H340504000	Kablo, Kırıcı Pedalı	Wire, Breaker Pedal	1			

(*) 7125004 dahil. / Includes 7125004.

KIRICI TESİSATI MONTAJI (2) (OP) BREAKER PIPING MOUNTING (2) (OP)

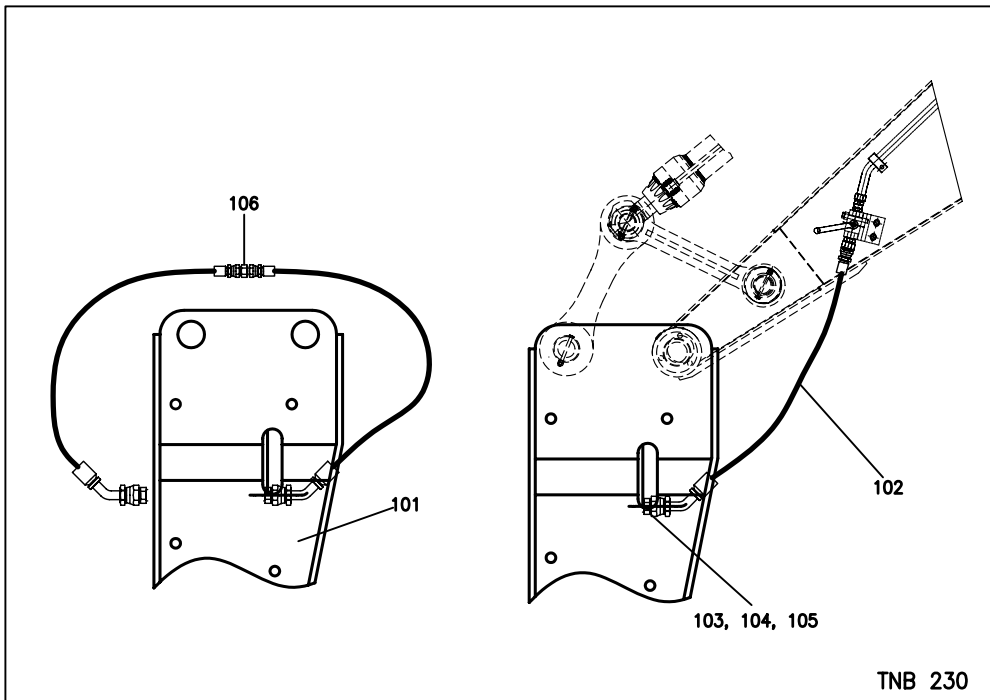
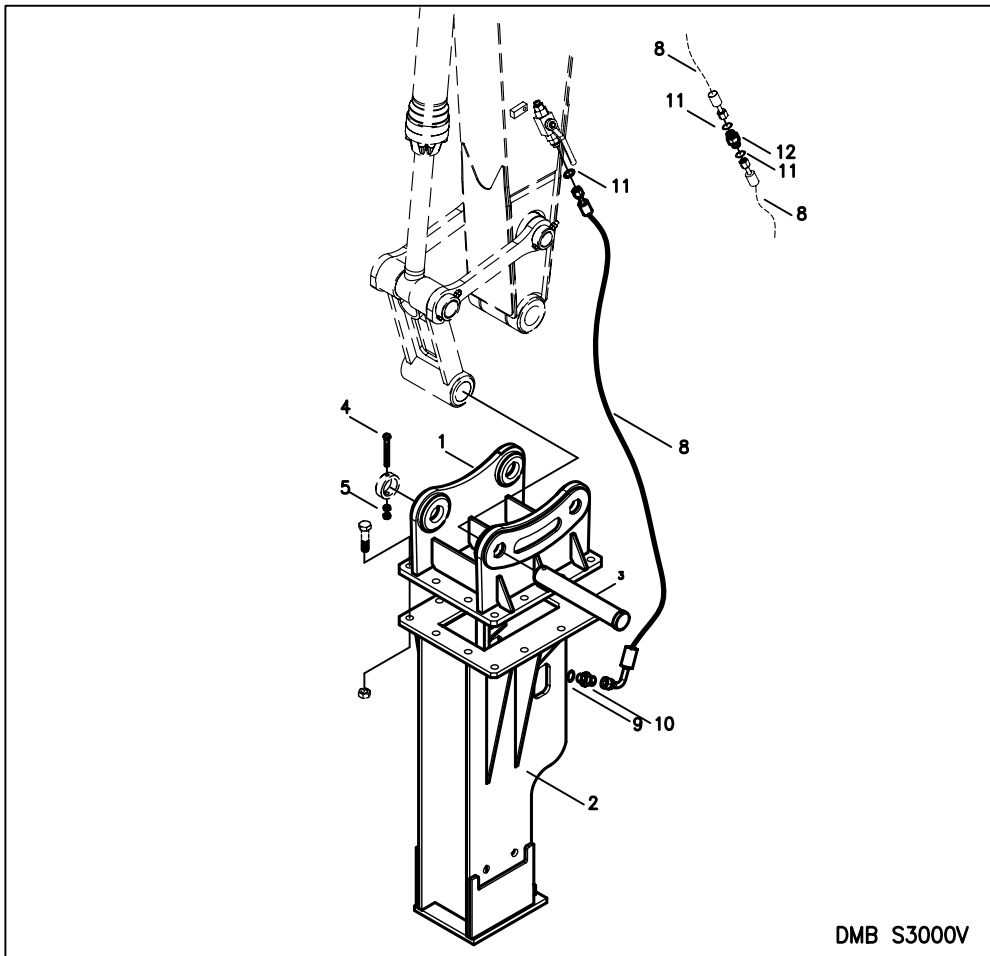


KIRICI TESİSATI MONTAJI (2) (OP)
BREAKER PIPING MOUNTING (2) (OP)

No	Parça No	Adı	Description	Adet	Not	Seri No	Y. Kul. S.K.
No	Part No			Q'ty	Note	Serial No	ICA S.C.
1	H250100100	Dirsek KM, Kırıcı T.	Elbow WA, Breaker P.	1			
2	N01/0232498	A.K.B. Civata	Bolt, Hex.	2	M10x35		
3	N03/1310010	Yaylı Rondela	Washer, Spr.	2	M10		
4	N03/0020121	Pul	Washer, Pln.	2	M10		
5	H250100300	Dirsek KM, Kırıcı T.	Elbow WA, Breaker P.	1			
6	N01/0232498	A.K.B. Civata	Bolt, Hex.	2	M10x35		
7	N03/1310010	Yaylı Rondela	Washer, Spr.	2	M10		
8	N03/0020121	Pul	Washer, Pln.	2	M10		
9	H250100500	Hortum	Hose	1			
10	N10/2002317	O-Ring	O-Ring	1			
11	N10/2003335	O-Ring	O-Ring	1			
12	N16/J360104	Yarım Flanş	Flange	2			
13	N01/5890830	S.B. Civata	Bolt, Cyl. Hd.	4	M10x35		
14	N03/1360010	Yaylı Rondela	Washer, Spr.	4	M10		
15	N16/K130129	Rekor	Connector	2			
16	N10/2002835	O-Ring	O-Ring	2			
33	N16/K230111	Rekor	Connector	1			
34	99Q075612	Hortum	Hose	1			
35	N10/2002317	O-Ring	O-Ring	2			
36	N16/K130129	Rekor	Connector	2			
37	N10/2002835	O-Ring	O-Ring	2			
38	99N075626	Hortum	Hose	1			
39	N10/2002317	O-Ring	O-Ring	2			
40	N16/K130129	Rekor	Connector	4			
41	N10/2002835	O-Ring	O-Ring	4			
42	H340103301	Dirsek KM, Kırıcı T.	Elbow WA, Breaker P.	2			
43	N01/0233566	A.K.B. Civata	Bolt, Hex.	4	M16x35		
44	N03/1310014	Yaylı Rondela	Washer, Spr.	4	M16		
45	99N075616	Hortum	Hose	1	*	5125001-7125002	D
	99N075615	Hortum	Hose	1		7125003-	D
46	N10/2002317	O-Ring	O-Ring	2			
47	99Q175627	Hortum	Hose	2			
48	N10/2002317	O-Ring	O-Ring	4			
70	H340103800	Kırıcı Pedalı	Pedal, Breaker	1			
74	97Q092238	Hortum	Hose	1			
75	N16/K114342	Rekor	Connector	1			
76	N10/2001322	O-Ring	O-Ring	1			
77	N16/K114342	Rekor	Connector	1			
78	N10/2001322	O-Ring	O-Ring	1			
79	97U092232	Hortum	Hose	1			
80	N16/K114342	Rekor	Connector	1			
81	N10/2001322	O-Ring	O-Ring	1			
85	N16/K114356	Rekor	Connector	1		7125077-	
86	N10/2001024	O-Ring	O-Ring	1		7125077-	
900	H340504000	Kablo, Kırıcı Pedalı	Wire, Breaker Pedal	1			

(*) 7125004 dahil. / Includes 7125004.

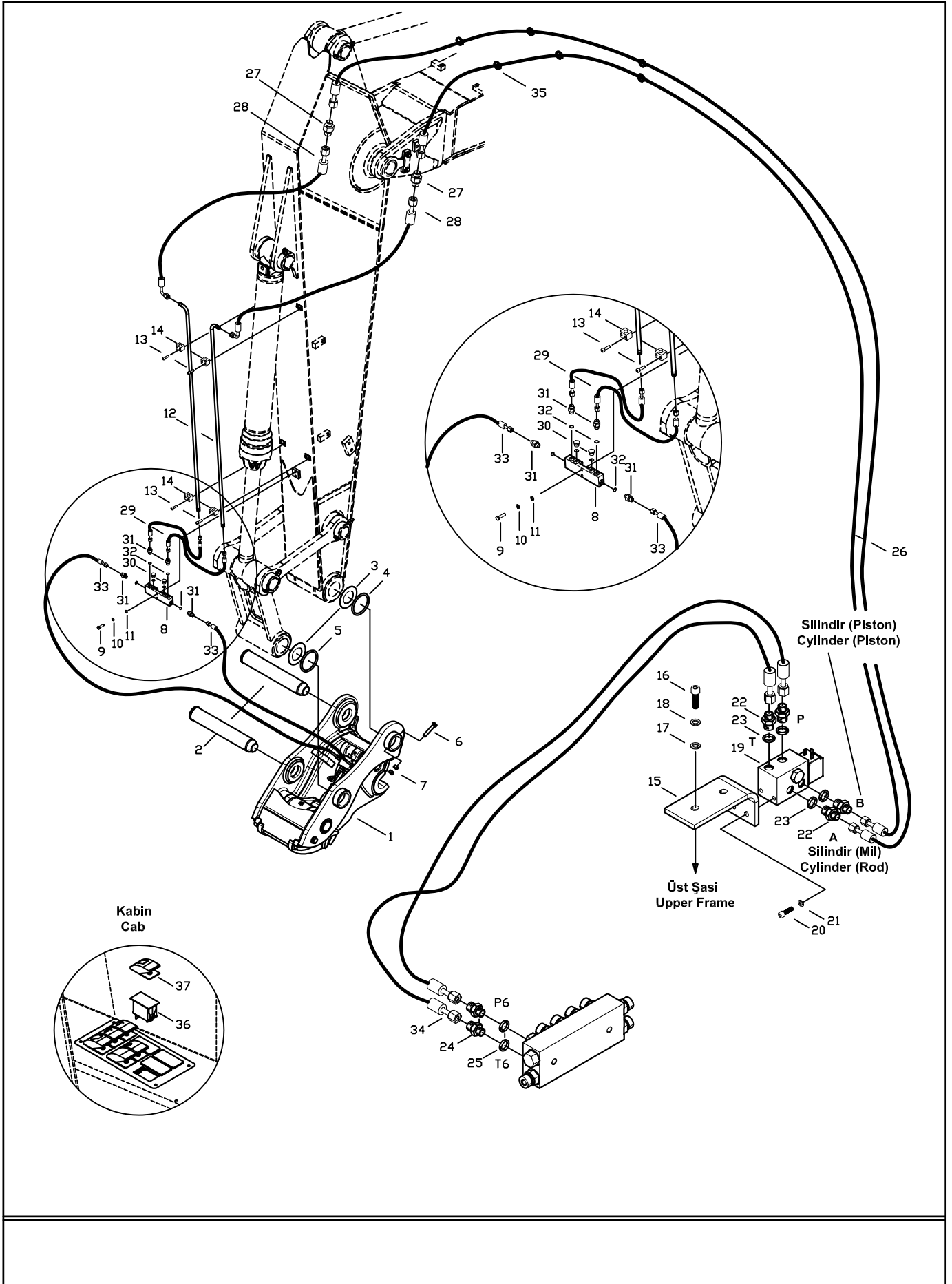
KIRICI MONTAJI (OP) BREAKER MOUNTING (OP)



KIRICI MONTAJI (OP)
BREAKER MOUNTING (OP)

No	Parça No	Adı	Adet	Not	Seri No	Y. Kul. S.K.
No	Part No	Description	Q'ty	Note	Serial No	ICA S.C.
	H250120000	Kırıcı Mont.	1	DMB S3000V		
1	H250120500	Braket K.M.	1	DMB S3000V		
2	H250123000	Kırıcı	1	DMB S3000V		
3	H250122500	Pim	2	DMB S3000V		
4	N01/0381430	A.K.B. Civata	2	M16x160, DMB S3000V		
5	N02/3570314	A.K. Somun	2	M16, DMB S3000V		
8	H250120100	Hortum	2	DMB S3000V		
9	N10/2003737	O-Ring	2	DMB S3000V		
10	N16/K130132	Rekor	2	DMB S3000V		
11	N10/2002917	O-Ring	2	DMB S3000V		
12	H250120200	Konnektör	1	DMB S3000V		
	H250125000	Kırıcı Mont.	1	TNB 230		
101	H250125100	Kırıcı	1	TNB 230		
102	H250120100	Hortum	2	TNB 230		
103	N10/2002835	O-Ring	2	TNB 230		
104	N16/K130131	Rekor	2	TNB 230		
105	N10/2002917	O-Ring	2	TNB 230		
106	H250120200	Konnektör	1	TNB 230		

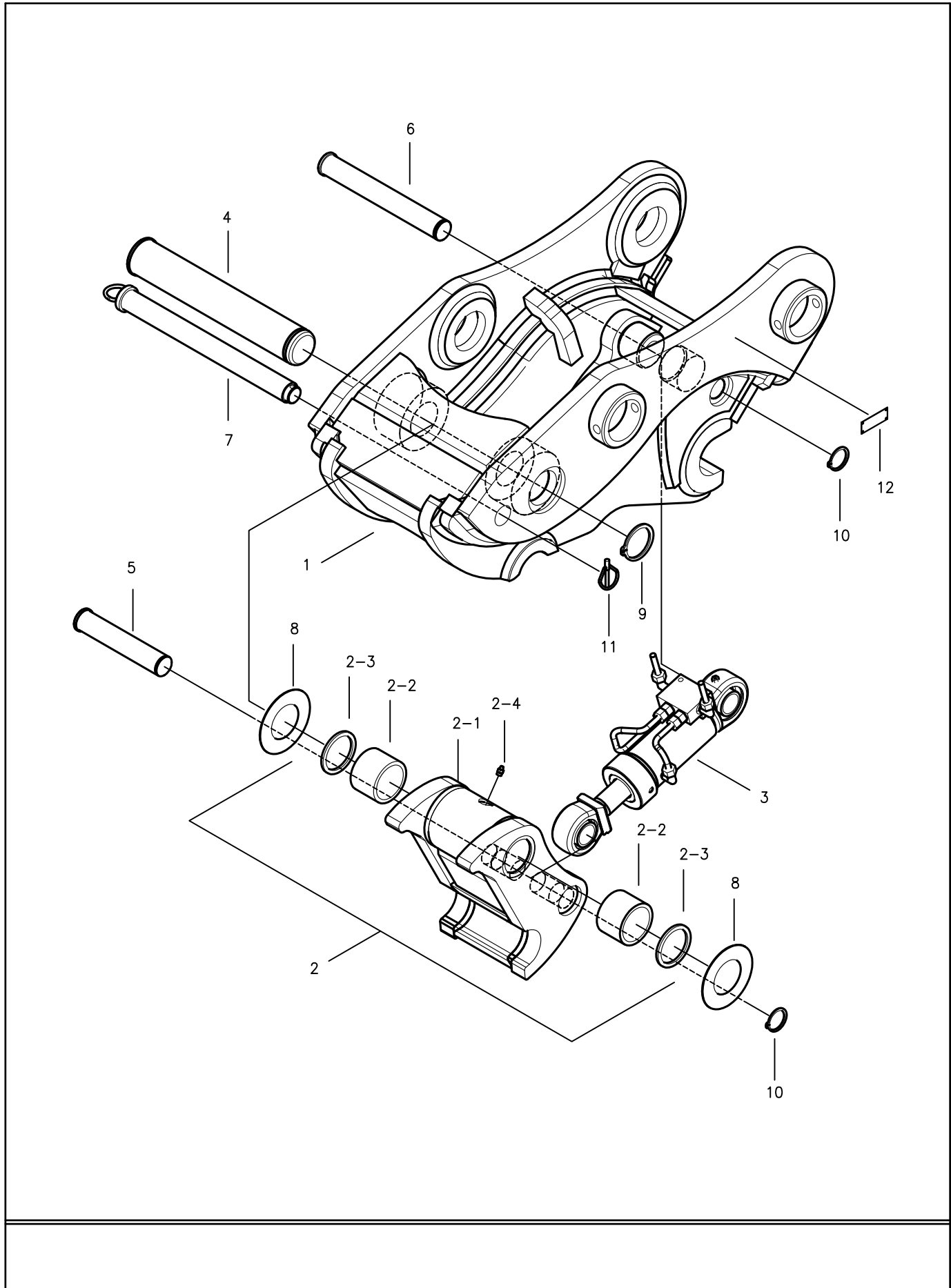
ÇABUK SÖK-TAK KOMPLESİ (OP) QUICK COUPLING ASSEMBLY (OP)



ÇABUK SÖK TAK KOMPLESİ (OP)
QUICK COUPLING ASSEMBLY (OP)

No	Parça No	Adı	Adet	Not	Seri No	Y. Kul. S.K.
No	Part No	Description	Q'ty	Note	Serial No	ICA S.C.
	H250110000	Çabuk Sök-Tak Komp. Quick Coupling Ass'y	1			
1	H250110100	Çabuk Sök-Tak Mont. Quick Coupling Mnt.	1			
2	H255001500	Pim	2			
3	H255002600	Şim	4			
4	H255303400	O-Ring	2			
5	H345303400	O-Ring	2			
6	N10/0381430	A.K.B. Cıvata	2	M16x160		
7	N02/3570314	A.K.Somun	4	M16		
8	H340114700	Blok	1			
9	N01/0232486	A.K.B. Cıvata	2	M10x30		
10	N03/1310010	Yaylı Rondela	2	M10		
11	N03/0020121	Pul	2	M10		
12	H340114800	Tesisat KM	2			
13	N01/5870326	S.B. Cıvata	8	M6x25		
14	N07/2016003	Kelepçe Gövdesi	4			
15	H250114500	Sac, Bağlantı	1			
16	N01/5890866	S.B. Cıvata	2	M10x50		
17	N03/1360010	Yaylı Rondela	2	M10		
18	N03/0020121	Pul	2	M10		
19	H340112400	Valf, Çabuk Sök Tak	1			
20	N01/5870458	S.B. Cıvata	2	M8x20		
21	N03/1310010	Yaylı Rondela	2	M8		
22	N16/K114348	Rekor	4			
23	N10/2001322	O-Ring	4			
24	N16/K114348	Rekor	2			
25	N10/2001322	O-Ring	2			
26	99Q0982180	Hortum Komplexi	2			
27	N16/K200321	Rekor	2			
28	99Q198238	Hortum Komplexi	2			
29	99N098212	Hortum Komplexi	2			
30	N16/X120004	Tapa	2			
31	N16/K114341	Rekor	4			
32	N10/2001024	O-Ring	6			
33	99N398224	Hortum Komplexi	2			
34	99Q098250	Hortum Komplexi	1			
35	510/12200	Kablo Bağı	60			
36	520/21030	Anahtar	1			
37	520/30920	Düğme	1		6125001-7125125	D
	520/31180	Düğme	1		7125126-	D

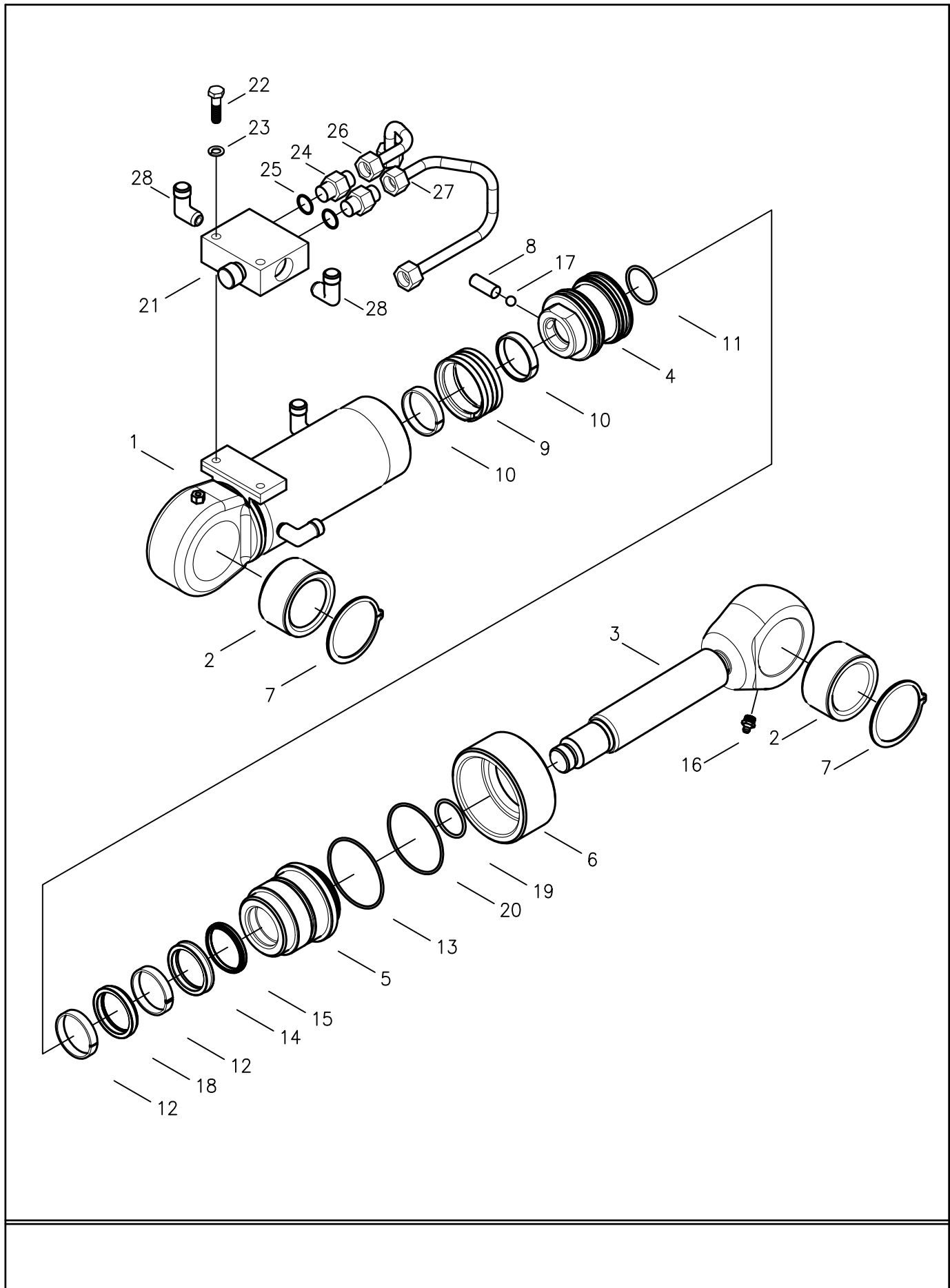
ÇABUK SÖK-TAK MONTAJI (OP)
QUICK COUPLING MOUNTING (OP)



ÇABUK SÖK TAK MONTAJI (OP)
QUICK COUPLING MOUNTING (OP)

No	Parça No	Adı	Description	Adet	Not	Seri No	Y. Kul. S.K.
No	Part No			Q'ty	Note	Serial No	ICA S.C.
	H250110100	Çabuk Sök-Tak Mont.	Quick Coupling Mnt.	1			
1	H250110200	Çabuk Sök-Tak K.M.	Quick Coupling W.A.	1			
2	H250113000	Çene Mont.	Tooth Mount.	1			
2_1	H250113100	Çene K.M.	Tooth W.A.	1			
2_2	H345203701	Sert Burç	Bushing	2			
2_3	N10/5708505	Toz Keçesi	Dust Seal	2			
2_4	N08/1110000	Gresörlük	Grease, Nipple	1			
3	170/07046	Silindir Mont.	Cylinder Mount.	1			
4	H250114000	Pim, ÇST-Çene	Pin, QC-Tooth	1			
5	H250114100	Pim, Çene-Silindir	Pin, Tooth-Cylinder	1			
6	H250114200	Pim, ÇST-Silindir	Pin, QC-Cylinder	1			
7	H250114300	Pim, Çene Sabitleme	Pin, Tooth Lock	1			
8	H345001601	Şim	Shim	2			
9	N05/0090927	Segman, Dış	Retaining Ring	1			
10	N05/0020863	Segman, Dış	Retaining Ring	2			
11	N06/3006042	Halkalı Pim	Pin	1			
12	H347000600	Etiket, Ataçman	Decal	1			

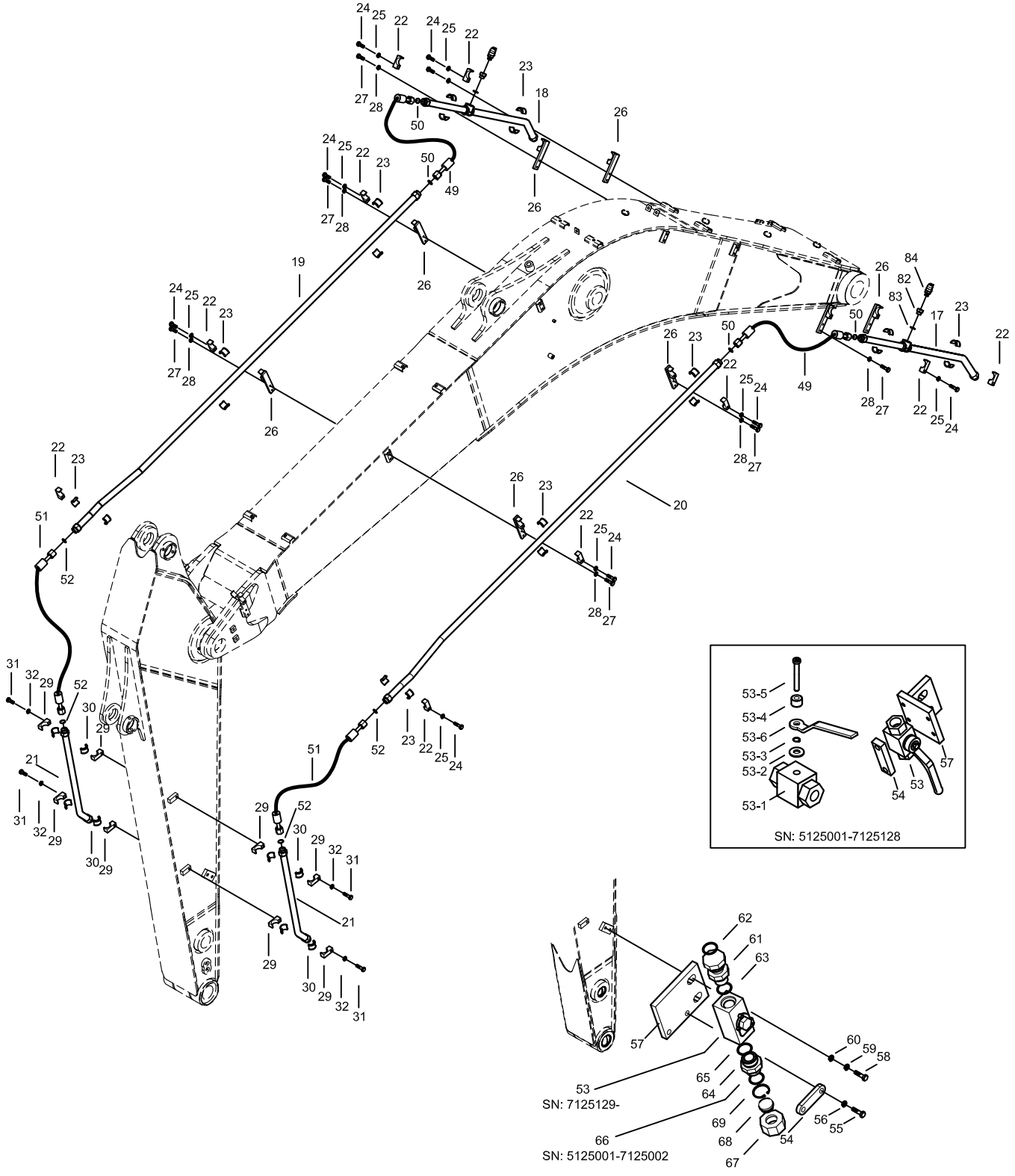
ÇABUK SÖK-TAK SİLİNDİRİ (OP)
QUICK COUPLING CYLINDER (OP)



ÇABUK SÖK-TAK SİLİNDİRİ (OP)
QUICK COUPLING CYLINDER (OP)

No	Parça No	Adı	Description	Adet	Not	Seri No	Y. Kul. S.K.
No	Part No			Q'ty	Note	Serial No	ICA S.C.
	170/07046	Çab. Sök-Tak Sil. M.	Qck. Coup. Cyl. Mnt.	1			
1	209/20527	Silindir Borusu K.M.	Tube W.A.	1			
2	207/00400	Mafsal Yatağı Mont.	Spherical Bearing	2			
3	208/42023	Silindir Mili K.M.	Rod	1			
4	201/20450	Piston	Piston	1			
5	202/14070	Boğaz	Gland	1			
6	203/14070	Kapak	Cover	1			
7	N05/0220200	Segman	Retaining Ring	2			
8	N04/3120686	Vidalı Pim	Pin	1			
9	N10/3587000	Piston Keçesi	Piston Seal	1			K1
10	N10/1657056	Piston Yatak. Bandı	Ring, Wear	2			K1
11	N10/2004035	Piston O-Ringi	O-Ring, Piston	1			K1
12	N10/0404597	Boğaz Yatak. Bandı	Ring, Wear	2			K2
13	N10/2006440	Boğaz O-Ringi	O-Ring, Gland	1			K2
14	N10/4405013	Boğaz Keçesi	Seal, Gland	1			K2
15	N10/5404805	Boğaz Toz Keçesi	Dust Seal, Gland	1			K2
16	N08/1210020	Gresörlük	Grease, Nipple	1			
17	N09/9001060	Çelik Bilya	Ball	1			
18	N10/7405506	Tampon Keçesi	U-Cup	1			K2
19	N10/2006420	O-Ring, Boğaz	O-Ring, Gland	1			K2
20	N10/2008030	O-Ring, Boğaz	O-Ring, Gland	1			K2
21	H340115000	Çek Valf	Check Valve	1			
22	N01/0380410	A.K.B. Cıvata	Bolt, Hex.	2			
23	N03/1310010	Yaylı Rondela	Washer, Spr.	2			
24	N16/K114341	Rekor	Connector	2			
25	N10/2001024	O-Ring	O-Ring	2			
26	452/80015	Tesisat Komitesi	Pipe Ass'y	1			
27	451/80010	Tesisat Komitesi	Pipe Ass'y	1			
28	N16/N910001	Ayarlanabilir Dirsek	Elbow	2			
	• S48/80710	Piston Tamir Takımı	Seal KIT, Piston	1	K1		
	• S48/91210	Boğaz Tamir Takımı	Seal KIT, Gland	1	K2		

ÇİFT TESİRLİ KIRICI TESİSATI MONTAJI (1) (OP) DOUBLE ACTING PIPING (1) (OP)



ÇİFT TESİRLİ KIRICI TESİSATI MONTAJI (1) (OP)
DOUBLE ACTING PIPING (1) (OP)

No	Parça No	Adı	Adet	Not	Seri No	Y. Kul. S.K.
No	Part No	Description	Q'ty	Note	Serial No	ICA S.C.
	H250180000	Kırıcı TesiSATı Mont.	Breaker Piping Mount.	1	6125003-	
17	H250100601	Boru KompleSi	Pipe Ass'y	1	6125003-	
18	H250101001	Boru KompleSi	Pipe Ass'y	1	6125003-	
19	H250101100	Boru KompleSi	Pipe Ass'y	1		
20	H250101300	Boru KompleSi	Pipe Ass'y	1		
21	H250101501	Boru KompleSi	Pipe Ass'y	2	3,07 Arm	
	H250105100	Boru KompleSi	Pipe Ass'y	2	2,5 Arm	OP
22	H250102000	Kelepçe	Clamp	10		
23	H250102100	Lastik	Rubber	10		
24	N01/0381238	A.K.B. Cıvata	Bolt, Hex.	10	M16x55	
25	N03/1310014	Yaylı Rondela	Washer, Spr.	10	M16	
26	H250102200	Kelepçe Sacı, K.M.	Clamp Plate, W.A.	8		
27	N01/0232858	A.K.B. Cıvata	Bolt, Hex.	16	M12x35	
28	N03/1310012	Yaylı Rondela	Washer, Spr.	16	M12	
29	H250102000	Kelepçe	Clamp	8		
30	H250102100	Lastik	Rubber	4		
31	N01/0381322	A.K.B. Cıvata	Bolt, Hex.	4	M16x90	
32	N03/1310014	Yaylı Rondela	Washer, Spr.	4	M16	
49	99N076721	Hortum	Hose	2	6125003-	
50	N10/2002917	O-Ring	O-Ring	4		
51	99Q176739	Hortum	Hose	2		
52	N10/2002917	O-Ring	O-Ring	4		
53	H340102100	Vana	Valve	2	5125001-7125128	D
	H340102101	Vana	Valve	2	** 7125129-	D
53_1	N14/0010800	Vana Gövdesi	Body, Valve	1	5125001-7125128	
53_2	H349070007	Kilit Pulu	Washer, Lock	1	5125001-7125128	
53_3	H349070008	Segman	Retaining Ring	1	5125001-7125128	
53_4	H349070009	Somun	Nut	1	5125001-7125128	
53_5	H349070010	Cıvata	Bolt	1	5125001-7125128	
53_6	H349070011	Kol	Lever	1	5125001-7125128	
54	H340102201	Kelepçe Sacı, Vana	Clamp Plate, Valve	2	5125001-7125128	D
	H340102202	Kelepçe Sacı, Vana	Clamp Plate, Valve	2	7125129-	D
55	N01/0380986	A.K.B. Cıvata	Bolt, Hex.	4	M12x100	5125001-7125128
	N01/0380938	A.K.B. Cıvata	Bolt, Hex.	4	M12x80	7125129-
56	N03/1310012	Yaylı Rondela	Washer, Spr.	4	M12	
57	H340102601	Kelepçe Sacı, K.M.	Clamp Plate, W.A.	2	5125001-7125128	D
	H340102603	Kelepçe Sacı, K.M.	Clamp Plate, W.A.	2	7125129-	D
58	N01/0233578	A.K.B. Cıvata	Bolt, Hex.	4	M16x40	
59	N03/1310014	Yaylı Rondela	Washer, Spr.	4		
60	N03/0020124	Pul	Washer, Pln.	4		
61	H250102400	Adaptör	Connector	2		
62	N10/2002917	O-Ring	O-Ring	2		

(*) 7125004 dahil. / Includes 7125004.

(**) H340102202 ve H340102603 ile birlikte H340102100 yerine kullanılabilir. / It can be used instead of H340102100 with H340102202 and H340102603.

ÇİFT TESİRLİ KIRICI TESİSATI MONTAJI (1) (OP)
DOUBLE ACTING PIPING (1) (OP)

No	Parça No	Adı	Description	Adet	Not	Seri No	Y. Kul. S.K.
No	Part No			Q'ty	Note	Serial No	ICA S.C.
63	N10/2002835	O-Ring	O-Ring	2			
64	N16/K130131	Rekor	Connector	2	*	5125001-7125002	
	N16/K114207	Rekor	Connector	2		7125003-	
65	N10/2002835	O-Ring	O-Ring	2			
66	N10/2002917	O-Ring	O-Ring	2	*	5125001-7125002	
67	H250102500	Yüksük	Ring	2	*	5125001-7125002	
	H250102501	Yüksük	Ring	2		7125003-	
68	H250102600	Tapa	Plug	2	*	5125001-7125002	
	H250102601	Tapa	Plug	2		7125003-	
69	N05/0020064	Segman	Retaining Ring	2	*	5125001-7125002	
	N05/0020063	Segman	Retaining Ring	2		7125003-	
82	H340105700	Adaptör	Connector	2			
83	N10/2002835	O-Ring	O-Ring	2			
84	F99/70100	Manometre Prizi	Coupling, Screw	2			

(*) 7125004 dahil. / Includes 7125004.

ÇİFT TESİRLİ KIRICI TESİSATI MONTAJI (2) (OP)
DOUBLE ACTING PIPING MOUNTING (2) (OP)

No	Parça No	Adı	Description	Adet	Not	Seri No	Y. Kul. S.K.
No	Part No			Q'ty	Note	Serial No	ICA S.C.
1	H250100100	Dirsek KM, Kırıcı T.	Elbow WA, Breaker P.	1			
2	N01/0232498	A.K.B. Cıvata	Bolt, Hex.	2	M10x35		
3	N03/1310010	Yaylı Rondela	Washer, Spr.	2	M10		
4	N03/0020121	Pul	Washer, Pln.	2	M10		
5	H250100300	Dirsek KM, Kırıcı T.	Elbow WA, Breaker P.	1			
6	N01/0232498	A.K.B. Cıvata	Bolt, Hex.	2	M10x35		
7	N03/1310010	Yaylı Rondela	Washer, Spr.	2	M10		
8	N03/0020121	Pul	Washer, Pln.	2	M10		
9	H250100500	Hortum	Hose	1			
10	N10/2002317	O-Ring	O-Ring	1			
11	N10/2003335	O-Ring	O-Ring	1			
12	N16/J360104	Yarım Flanş	Flange	2			
13	N01/5890830	S.B. Cıvata	Bolt, Cyl. Hd.	4	M10x35		
14	N03/1360010	Yaylı Rondela	Washer, Spr.	4	M10		
15	N16/K130129	Rekor	Connector	2			
16	N10/2002835	O-Ring	O-Ring	2			
33	N16/K230111	Rekor	Connector	1			
34	99Q075612	Hortum	Hose	1			
35	N10/2002317	O-Ring	O-Ring	2			
36	N16/K130129	Rekor	Connector	2			
37	N10/2002835	O-Ring	O-Ring	2			
38	99N075626	Hortum	Hose	1			
39	N10/2002317	O-Ring	O-Ring	2			
40	N16/K130129	Rekor	Connector	4			
41	N10/2002835	O-Ring	O-Ring	4			
42	H340103301	Dirsek KM, Kırıcı T.	Elbow WA, Breaker P.	1			
43	N01/0233566	A.K.B. Cıvata	Bolt, Hex.	4	M16x35		
44	N03/1310014	Yaylı Rondela	Washer, Spr.	4	M16		
45	99N075615	Hortum	Hose	1			
46	N10/2002317	O-Ring	O-Ring	2			
47	99Q175627	Hortum	Hose	1			
48	N10/2002317	O-Ring	O-Ring	2			
74	97Q092252	Hortum	Hose	1			
75	N16/K114342	Rekor	Connector	1			
76	N10/2001322	O-Ring	O-Ring	1			
77	N16/K114342	Rekor	Connector	1			
78	N10/2001322	O-Ring	O-Ring	1			
79	97U092290	Hortum	Hose	1			
80	N16/K114342	Rekor	Connector	1			
81	N10/2001322	O-Ring	O-Ring	1			
85	N16/K114356	Rekor	Connector	1			
86	N10/2001024	O-Ring	O-Ring	1			
87	97U092274	Hortum	Hose	1			
88	97S092274	Hortum	Hose	1			
89	H340180100	Çift Yönlü Ayak Ped.	Double Acting Valve	1			

NOT: Bu sayfa 7125077- seri nolu makineden itibaren geçerlidir.

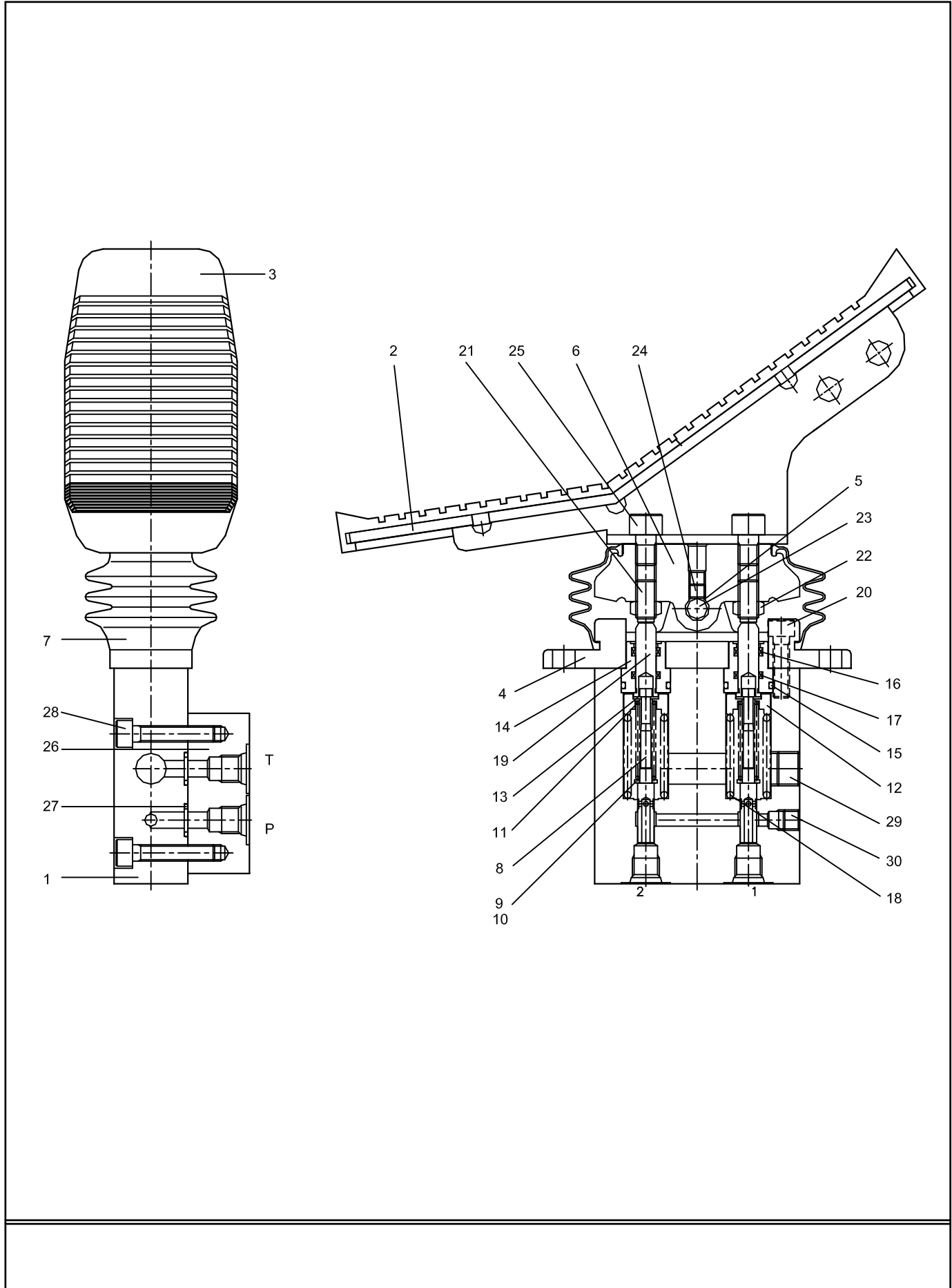
NOTE: This page is valid from 7125077- serial number machine.

ÇİFT TESİRLİ KIRICI TESİSATI MONTAJI (2) (OP)
DOUBLE ACTING PIPING MOUNTING (2) (OP)

No	Parça No	Adı	Description	Adet	Not	Seri No	Y. Kul. S.K.
No	Part No			Q'ty	Note	Serial No	ICA S.C.
90	N01/0380566	A.K.B. Cıvata	Bolt Hex.	2			
91	N03/1310011	Yaylı Rondela	Washer Spr	2			
92	N16/K114356	Rekor	Connector	2			
93	N10/2001024	O-Ring	O-Ring	2			
94	H340180200	3 Yollu Küresel Vana	3 Way Ball Valve	1			
95	N01/0232162	A.K.B. Cıvata	Bolt, Hex.	4	M8x30		
96	N03/1310010	Yaylı Rondela	Washer, Spr.	4	M8		
97	H250180100	Tutucu KM	Bracket	1			
98	N16/K130130	Rekor	Connector	2			
99	N10/2002317	O-Ring	O-Ring	2			
100	H340180601	Boru KM	Pipe WA	1			
101	N01/5890842	S.B. Cıvata	Bolt, Cyl. Hd.	4	M10x40		
102	N03/1360010	Yaylı Rondela	Washer, Spr.	4	M10		
103	N10/2003335	O-Ring	O-Ring	1			
104	N10/2002317	O-Ring	O-Ring	1			
105	99T075626	Hortum	Hose	1			
106	N10/2002317	O-Ring	O-Ring	2			
107	H340180801	Taban Sacı KM	Floor Plate	1			
108	H347016100	Etiket, Uyarı	Decal, Warning	1			
109	520/21020	Anahtar	Switch	1			
110	520/31200	Düğme	Button	1			
111	99N175626	Hortum	Hose	1			
112	N10/2002317	O-Ring	O-Ring	2			
113	H343206100	Adaptör	Connector	2			
114	N10/2001024	O-Ring	O-Ring	2			
115	H253208100	AT Rekor	Tee	2			
116	H233511000	Basınç Müşürü	Pressure Switch	2			
117	H233512000	Koruyucu Kapak	Cover	2			
118	H250186000	Kilit Montajı, Pedal	Lock Ass'y	1			
119	N01/5890818	S.B. Cıvata	Bolt, Cyl. Hd.	4	M10x30		
120	N03/1310010	Yaylı Rondela	Washer, Spr.	2	M10		

NOT: Bu sayfa 7125077- seri nolu makineden itibaren geçerlidir.
 NOTE: This page is valid from 7125077- serial number machine.

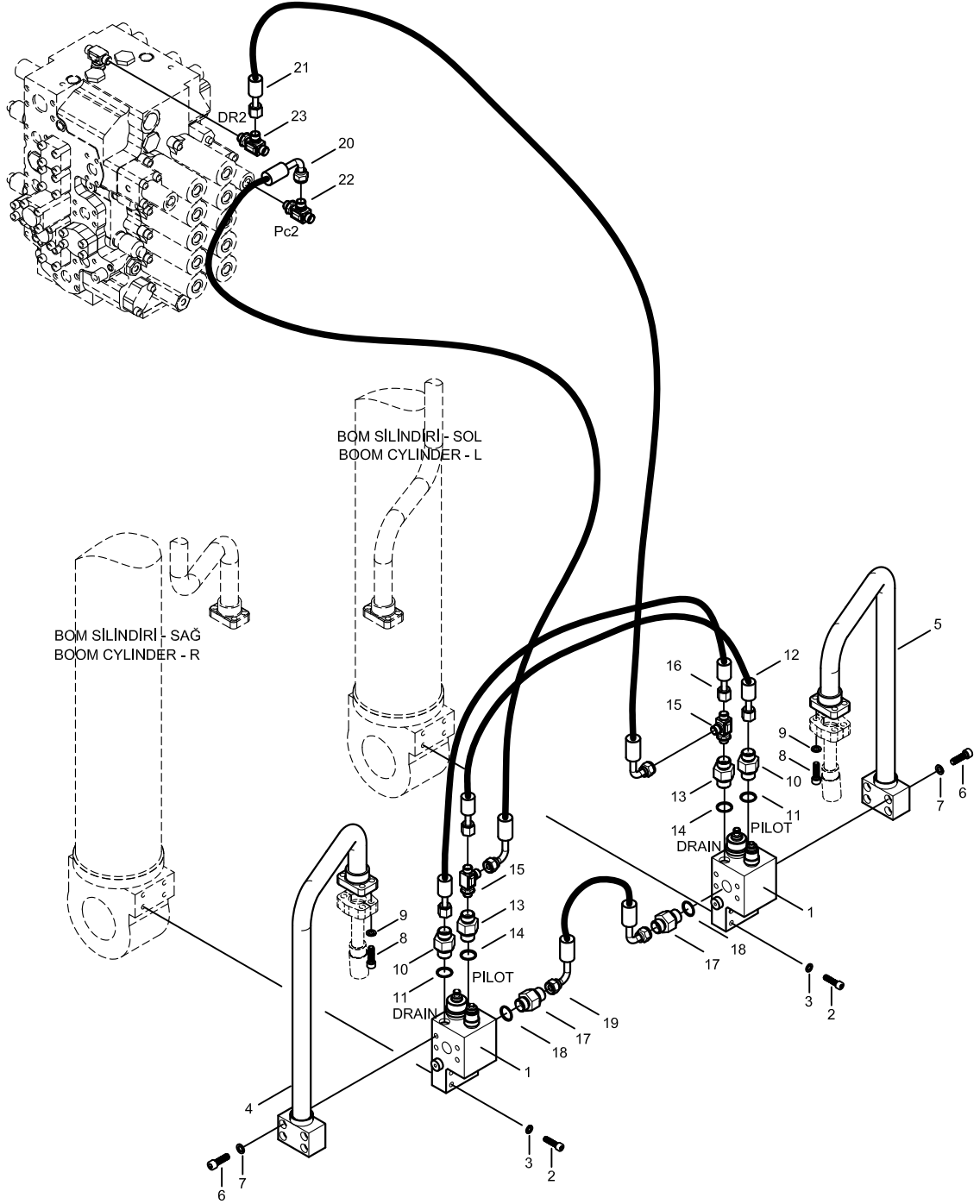
ÇİFT YÖNLÜ AYAK PEDALI (OP)
DOUBLE ACTING VALVE (OP)



ÇİFT YÖNLÜ AYAK PEDALI (OP)
DOUBLE ACTING VALVE (OP)

No	Parça No	Adı	Description	Adet	Not	Seri No	Y. Kul. S.K.
No	Part No			Q'ty	Note	Serial No	ICA S.C.
	H340180100	Çift Yön. Ayak Pedalı	Double Acting V/V	1			
1	H349051001	Gövde	Casing	1			
2	H349051002	Pedal	Pedal	1			
3	H349051003	Pedal Kılıfı	Pedal Cover	1			
4	H349051004	Kapak	Cover	1			K1
5	H349051005	Burç	Bush	2			K1
6	H349051006	Kam	Cam	1			K2
7	H349051007	Körük	Bellow	1			
8	H349051008	Valf Sürgüsü	Spool	2			K3
9	H349051009	Şim	Shim	AR			K3
10	H349051010	Yay Tutucu	Spring Seat	2			K3
11	H349051011	Yay	Spring	2			K3
12	H349051012	Yay Tutucu	Spring Seat	2			K3
13	H349051013	Durdurucu	Stoper	2 set			K3
14	H349051014	Tapa	Plug	2			K4
15	H349051015	O-Ring	O-Ring	2			K4, K5
16	H349051016	Toz Keçesi	Dust Seal	2			K4, K5
17	H349051017	Pim Keçesi	Rod Seal	2			K4, K5
18	H349051018	Yay	Spring	2			
19	H349051019	İtici Pim	Push Rod	2			K4
20	H349051020	Civata	Wrench Bolt	2	M8x30		
21	H349051021	Setskur	Set Screw	2			K2
22	H349051022	Somun	Nut	2			K2
23	H349051023	Şaft	Cam Shaft	1			
24	H349051024	Setskur	Set Screw	1	M8x12		K2
25	H349051025	Civata	Wrench Bolt	2			
26	H349051026	Blok	Block	1			
27	H349051027	O-Ring	O-Ring	2			K5
28	H349051028	Civata	Wrench Bolt	2	M8x40		
29	H349051029	Tapa	Plug	1			
30	H349051030	Tapa	Plug	1			
•	H349051031	Kapak KİTİ	Cover KIT				K1
•	H349051032	Kam KİTİ	Cam KIT				K2
•	H349051033	Sürgü KİTİ	Spool KIT				K3
•	H349051034	İtici Pim KİTİ	Push Rod KIT				K4
•	H349051035	Tamir Takımı	Seal KIT				K5

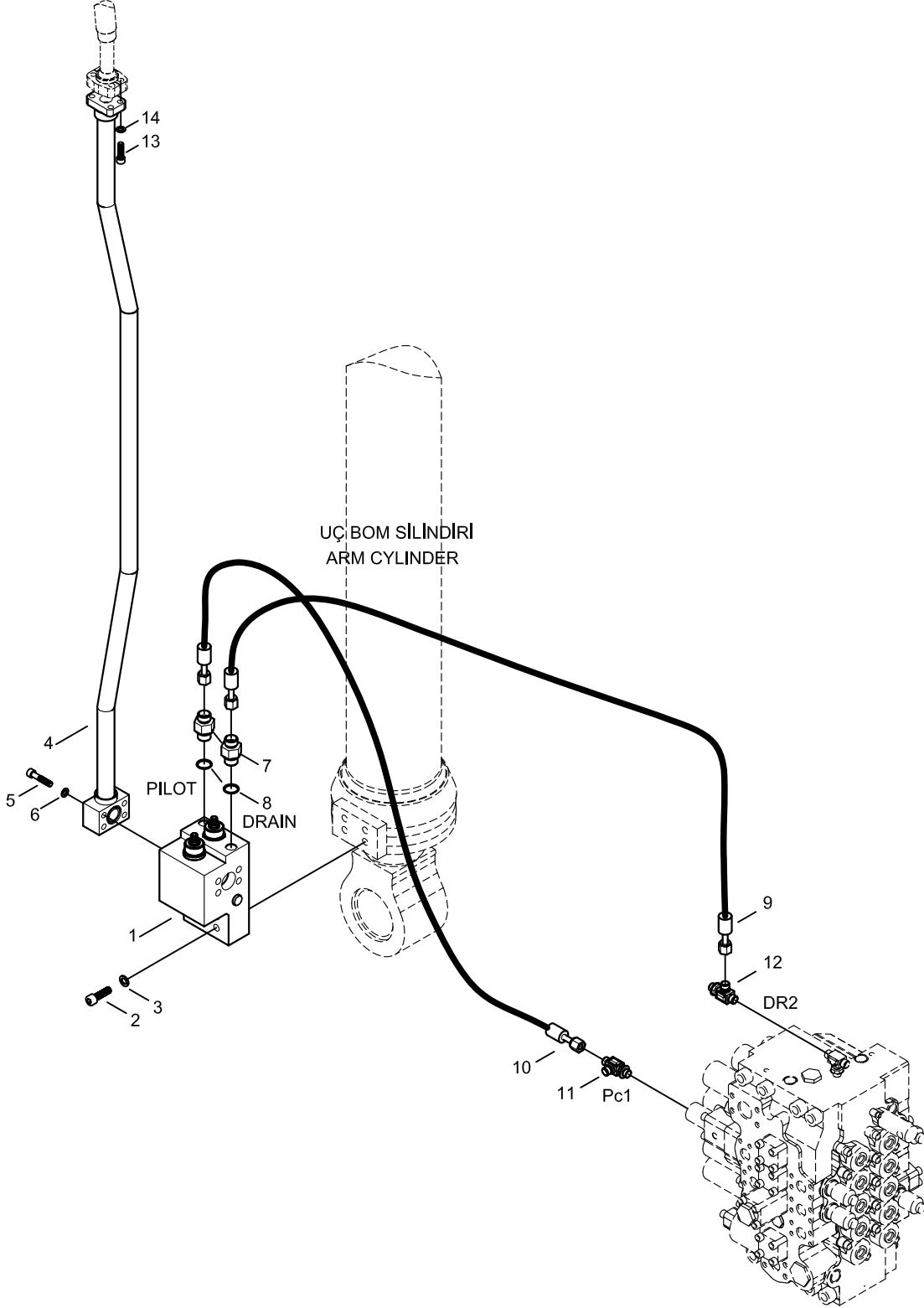
BOM EMNİYET VALFİ MONTAJI (OP) BOOM SAFETY LOCK SYSTEM (OP)



BOM EMNİYET VALFİ MONTAJI (OP)
BOOM SAFETY LOCK SYSTEM (OP)

No	Parça No	Adı	Description	Adet	Not	Seri No	Y. Kul. S.K.
No	Part No			Q'ty	Note	Serial No	ICA S.C.
	H250190000	Bom Emniyet V. Mon.	Boom Safety L. Sys.	1			
1	H250190100	Bom Emniyet Valfi	Boom Lock V/V	2			
2	N01/5891226	S.B. Cıvata	Bolt, Cyl. Head	8	M12x55		
3	N03/1360011	Yaylı Rondela	Washer, Spr.	8	M12		
4	H250190200	Tesisat Borusu, Sağ	Pipe Ass'y, R	1			
5	H250190400	Tesisat Borusu, Sol	Pipe Ass'y, L	1			
6	N01/5891202	S.B. Cıvata	Bolt, Cyl. Head	8	M12x45		
7	N03/1360011	Yaylı Rondela	Washer, Spr.	8	M12		
8	N01/5890842	S.B. Cıvata	Bolt, Cyl. Head	8	M10x40		
9	N03/1360010	Yaylı Rondela	Washer, Spr.	8	M10		
10	N16/K114341	Rekor	Connector	2			
11	N10/2001024	O-Ring	O-Ring	2			
12	97N091228	Hortum Kompleksi	Hose Ass'y	1			
13	N16/K114341	Rekor	Connector	2			
14	N10/2001024	O-Ring	O-Ring	2			
15	N16/T020202	A.T. Rekor	Tee	2			
16	97N091228	Hortum Kompleksi	Hose Ass'y	1			
17	N16/K114356	Rekor	Connector	2			
18	N10/2001322	O-Ring	O-Ring	2			
19	99S092532	Hortum Kompleksi	Hose Ass'y	1			
20	97Q091274	Hortum Kompleksi	Hose Ass'y	1			
21	97Q091292	Hortum Kompleksi	Hose Ass'y	1			
22	N16/T020202	A.T. Rekor	Tee	2			
23	H343202801	A.T. Rekor	Tee	2			

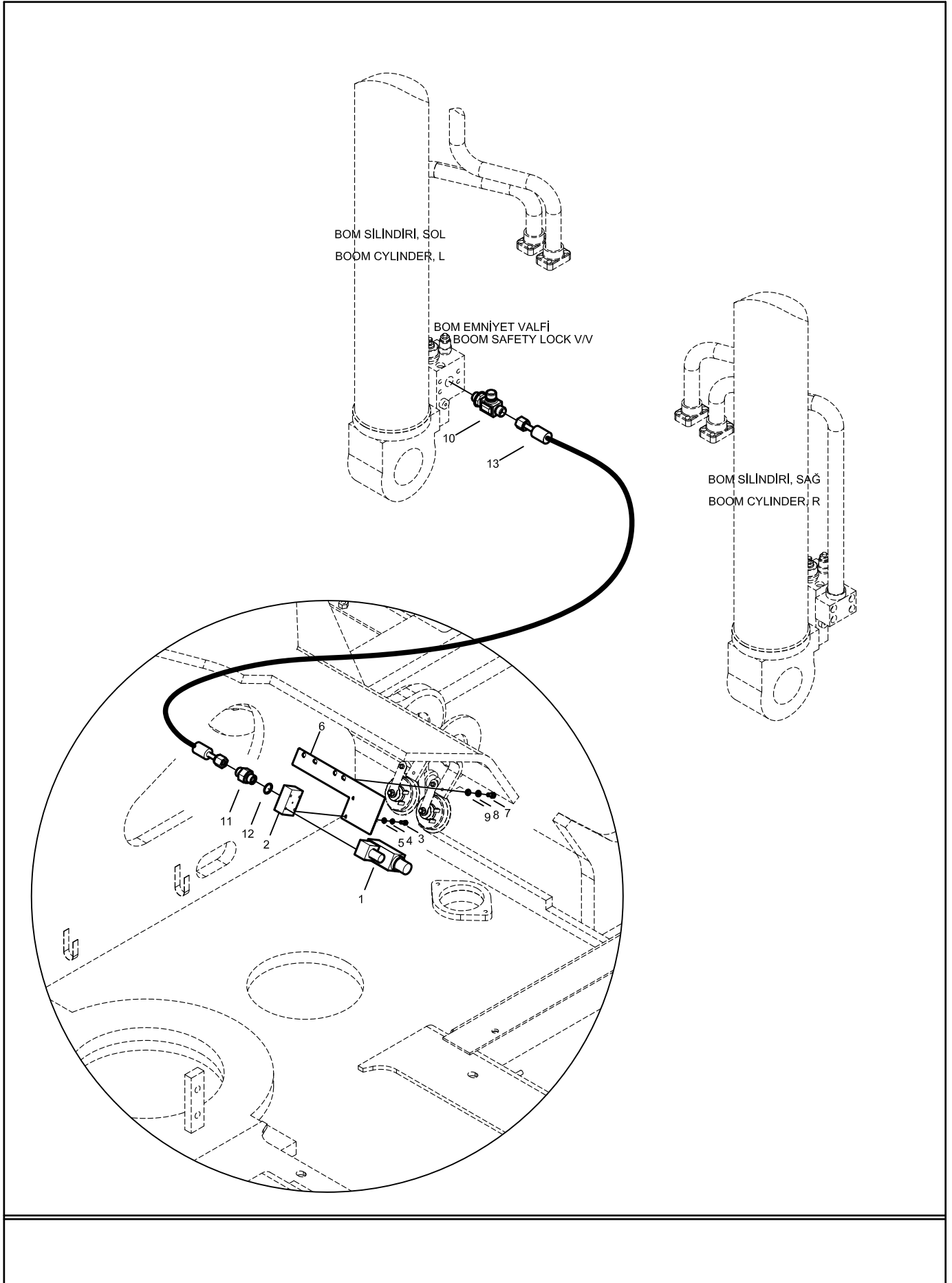
UÇ BOM EMNİYET VALFİ MONTAJI (OP) ARM SAFETY LOCK SYSTEM (OP)



UÇ BOM EMNİYET VALFİ MONTAJI (OP)
ARM SAFETY LOCK SYSTEM (OP)

No	Parça No	Adı	Description	Adet	Not	Seri No	Y. Kul. S.K.
No	Part No			Q'ty	Note	Serial No	ICA S.C.
	H250195000	Arm Emniyet V. Mon.	Arm Safety L. Sys.	1			
1	H250195100	Arm Emniyet Valfi	Arm Lock V/V	2			
2	N01/5891284	S.B. Cıvata	Bolt, Cyl. Head	4	M12x80		
3	N03/1360011	Yaylı Rondela	Washer, Spr.	4	M12		
4	H250195200	Tesisat Borusu	Pipe Ass'y	1			
5	N01/5891202	S.B. Cıvata	Bolt, Cyl. Head	4	M12x45		
6	N03/1360011	Yaylı Rondela	Washer, Spr.	4	M12		
7	N16/K114341	Rekor	Connector	2			
8	N10/2001024	O-Ring	O-Ring	2			
9	97N0912180	Hortum Komplexi	Hose Ass'y	1			
10	97N0912162	Hortum Komplexi	Hose Ass'y	1			
11	N16/T020202	A.T. Rekor	Tee	1			
12	H343202801	A.T. Rekor	Tee	1			
13	N01/5890842	S.B. Cıvata	Bolt, Cyl. Head	4	M10x40		
14	N03/1360010	Yaylı Rondela	Washer, Spr.	4	M10		

AŞIRI YÜK UYARI SİSTEMİ (OP) OVERLOAD WARNING SYSTEM (OP)

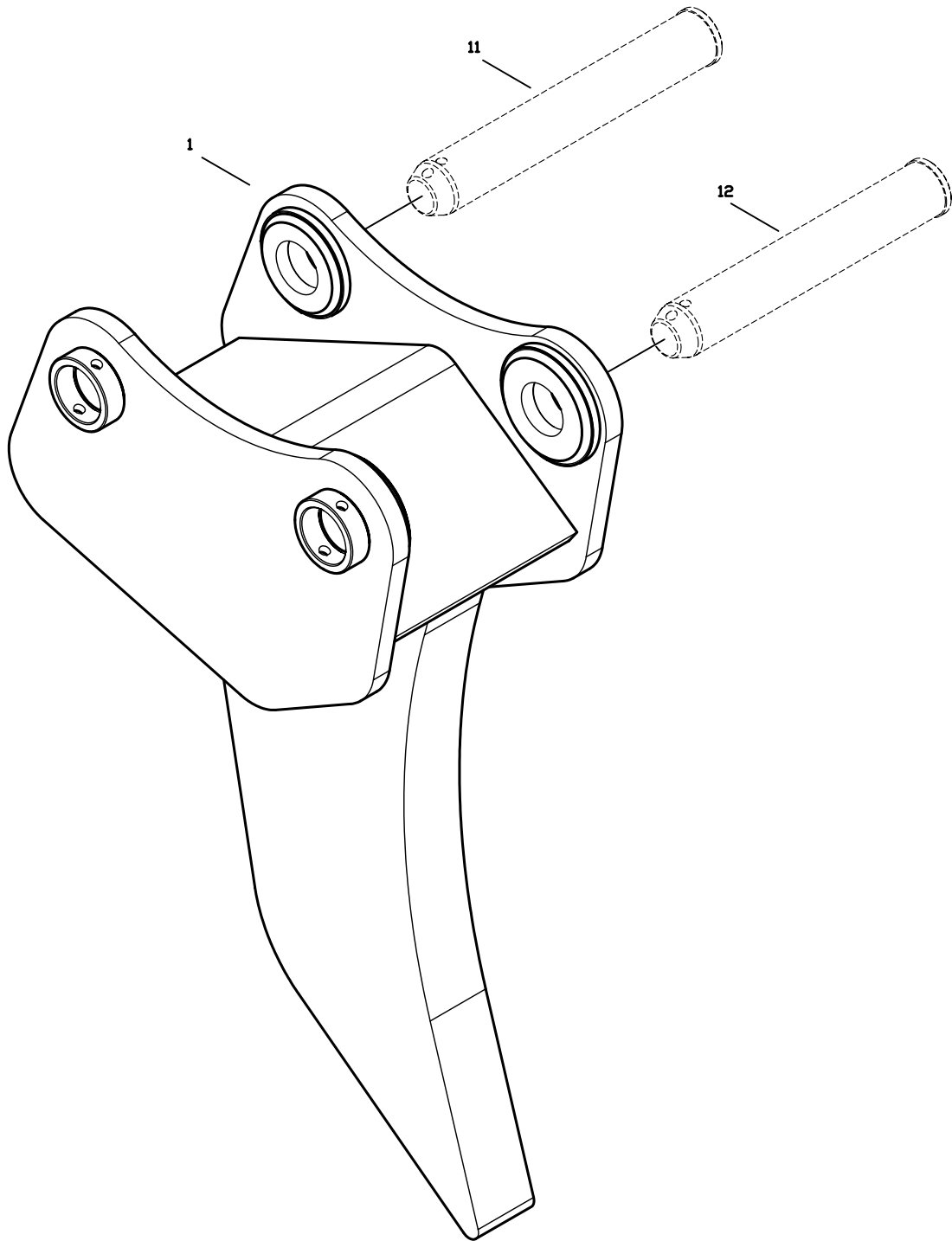


AŞIRI YÜK UYARI SİSTEMİ (OP)
OVERLOAD WARNING SYSTEM (OP)

No	Parça No	Adı	Description	Adet	Not	Seri No	Y. Kul. S.K.
No	Part No			Q'ty	Note	Serial No	ICA S.C.
	H250197000	Aşırı Yük Uyarı Sis.	Overload Warn. Sys.	1			
1	H340197101	Aşırı Yük Uyarı Müş.	O.load Warn. Switch	1			
2	H340197300	Aşırı Yük Müş. Bloğu	O.L. Warn. Swc. Block	1			
3	N01/0221202	A.K.B. Civata	Bolt, Hex.	2	M5x16		
4	N03/1310007	Yaylı Rondela	Washer, Spr.	2	M5		
5	N03/0100011	Pul	Washer, Pln.	2	M5		
6	H340197201	Bağlantı Sacı	Bracket	1			
7	N01/0221478	A.K.B. Civata	Bolt, Hex.	2	M6x15		
8	N03/1310008	Yaylı Rondela	Washer, Spr.	2	M6		
9	N03/0100013	Pul	Washer, Pln.	2	M6		
10	N16/T020404	A.T. Rekor	Tee	1			
11	N16/K114356	Rekor	Connector	1			
12	N10/2001024	O-Ring	O-Ring	1			
13	99N092548	Hortum Komp.	Hose Ass'y.	1			
14	510/11700	Kablo Bağı	String	10			

250301-00

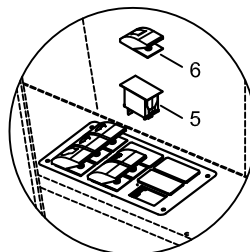
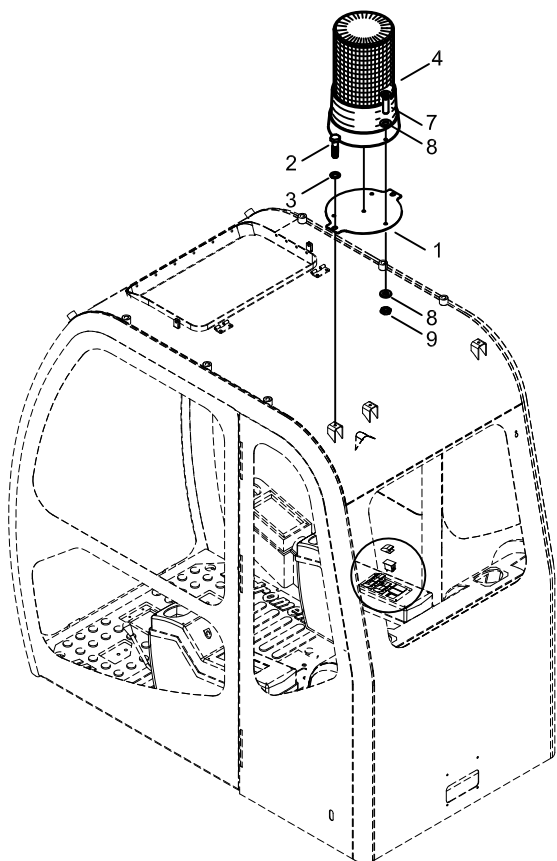
RIPER (OP)
RIPPER (OP)



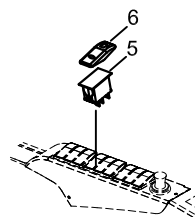
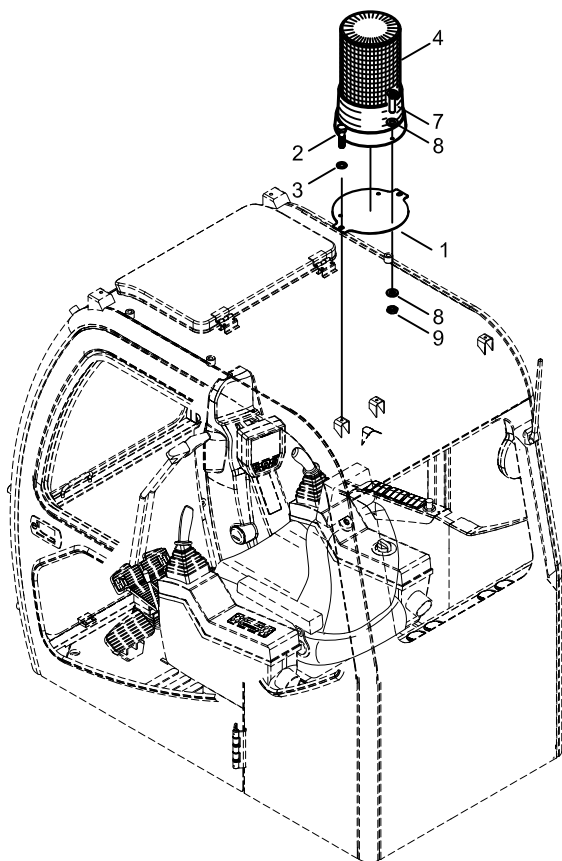
RİPER (OP)
RIPPER (OP)

No	Parça No	Adı	Adet	Not	Seri No	Y. Kul. S.K.
No	Part No	Description	Q'ty	Note	Serial No	ICA S.C.
1	H250397000	Riper	1			
11		Pim	1	bak / see 255401-00		
12		Pim	1	bak / see 255401-00		

TEPE LAMBASI MONTAJI (OP) BEACON MOUNTING (OP)



SN: 5125001-7125178

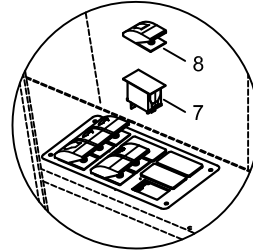
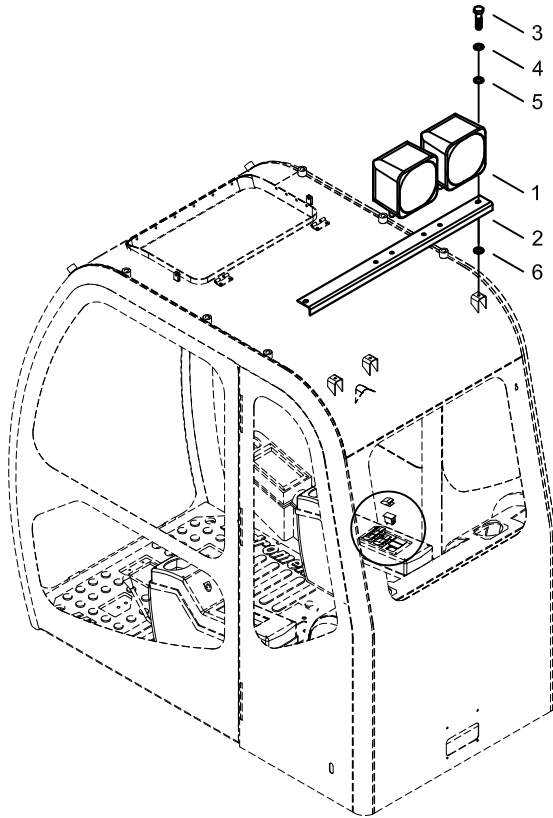


SN: 9125001-

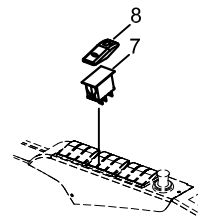
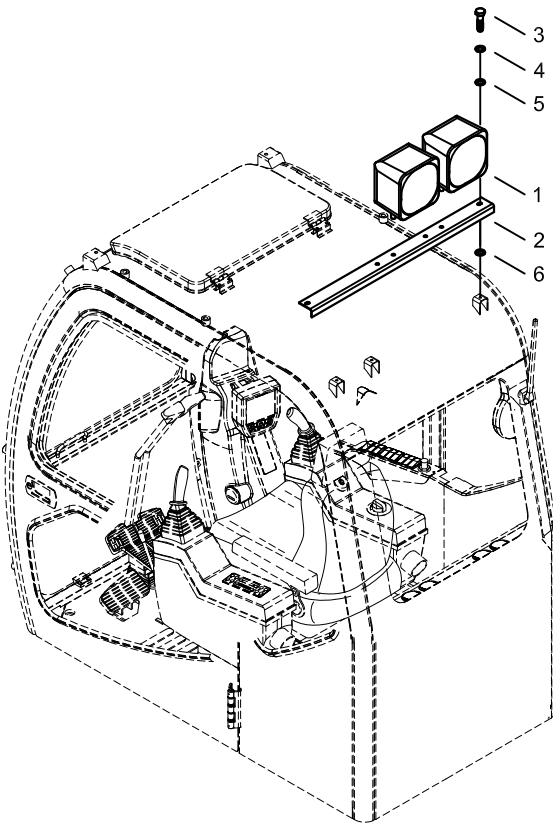
TEPE LAMBASI MONTAJI (OP)
BEACON MOUNTING (OP)

No	Parça No	Adı	Description	Adet	Not	Seri No	Y. Kul. S.K.
No	Part No			Q'ty	Note	Serial No	ICA S.C.
	H340500100	Tepe Lambası Mont.	Beacon Mount.	1			
1	H340500201	Bağlantı Sacı	Support, Mounting	1			
2	N01/0232114	A.K.B. Cıvata	Bolt, Hex.	2	M8x15		
3	N03/1310010	Yaylı Rondela	Washer, Spr.	2	M8		
4	H348005301	Tepe Lambası	Beacon	1			A
	H348005302	Tepe Lambası	Beacon	1			A
5	520/21020	Anahtar, Döner Lam.	Switch, Beacon	1			
6	520/30000	Düğme	Button	1		6125001-7125125	D
	520/31000	Düğme	Button	1	*	7125126-	D
7	N01/0221478	Cıvata	Bolt	3	M6x15		
8	N03/0100013	Pul	Washer, Pln.	6	M6		
9	N02/3570158	Somun	Nut	3	M6		

ARKA ÇALIŞMA LAMBASI MONTAJI (OP) REAR WORK LAMP MOUNTING (OP)



SN: 5125001-7125178



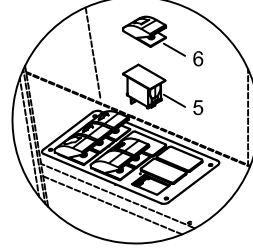
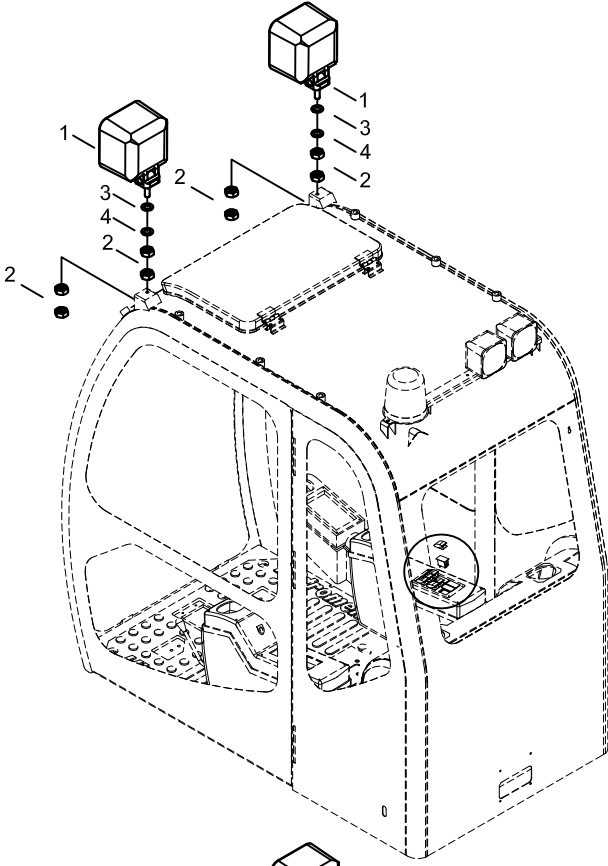
SN: 9125001-

ARKA ÇALIŞMA LAMBASI MONTAJI (OP)
REAR WORK LAMP MOUNTING (OP)

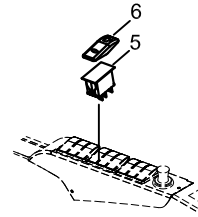
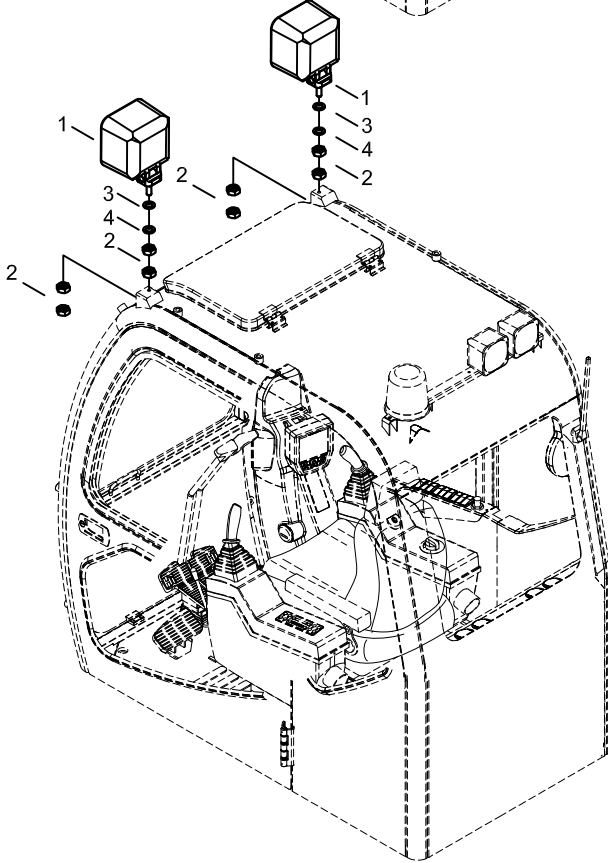
No	Parça No	Adı	Description	Adet	Not	Seri No	Y. Kul. S.K.
No	Part No			Q'ty	Note	Serial No	ICA S.C.
	H340502000	Arka Çalış. Lam. Mont.	R. Work Lamp Mount.	1			
1	H340502200	Çalışma Lambası	Work Lamp	2			
2	H340502100	Bağlantı Sacı	Support, Mounting	1			
3	N01/0222114	A.K.B. Civata	Bolt, Hex.	1	M8x20		
4	N03/1310010	Yaylı Rondela	Washer, Spr.	1	M8		
5	N03/0100017	Pul	Washer, Pln.	1	M8		
6	N03/0100017	Pul	Washer, Pln.	1	M8		
7	520/21020	Anahtar	Switch	1			
6	520/30050	Düğme	Button	1		5125001-7125125	D
	520/31015	Düğme	Button	1	*	7125126-	D

(*) Eskisinin yerine kullanmak için kabin içindeki tüm düğmeleri değiştiriniz. To interchange please revise all buttons in the cab.

ÖN ÇALIŞMA LAMBASI MONTAJI (OP) FRONT WORK LAMP MOUNTING (OP)



SN: 5125001-7125178



SN: 9125001-

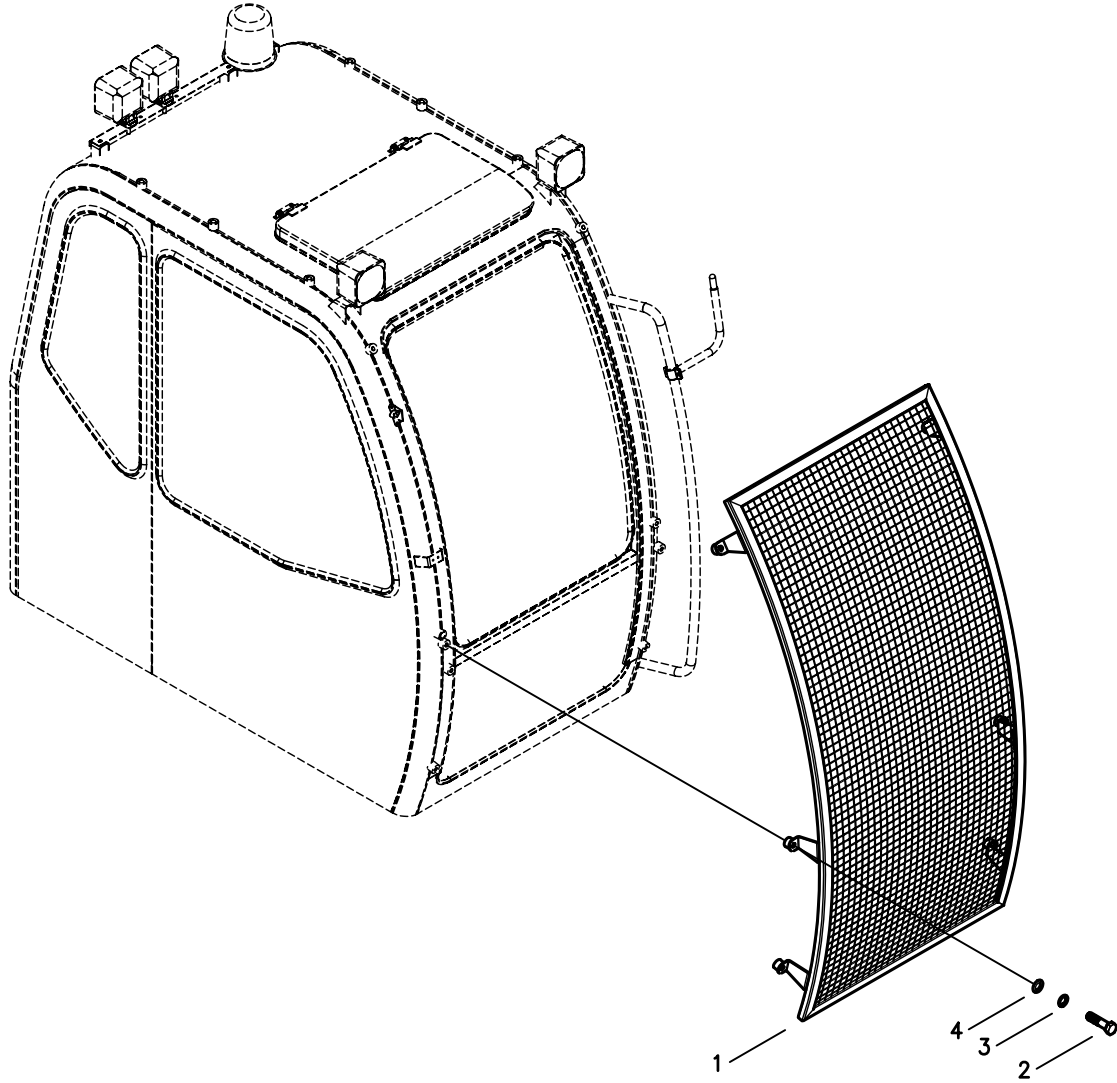
ÖN ÇALIŞMA LAMBASI MONTAJI (OP)
FRONT WORK LAMP MOUNTING (OP)

No	Parça No	Adı	Description	Adet	Not	Seri No	Y. Kul. S.K.
No	Part No			Q'ty	Note	Serial No	ICA S.C.
	H340503000	Ön Çalış. Lam. Mont.	F. Work Lamp Mount.	1			
1	H340502200	Çalışma Lambası	Work Lamp	2			
2	N02/3570206	A.K. Somun	Nut, Hex.	8	M10		
3	N03/1310011	Yaylı Rondela	Washer, Spr.	2	M10		
4	N03/0100020	Pul	Washer, Pln.	2	M10		
5	520/21020	Anahtar, Döner Lam.	Switch, Beacon	1			
6	520/30050	Düğme	Button	1		5125001-7125125	D
	520/31015	Düğme	Button	1	*	7125126-	D

(*) Eskisinin yerine kullanmak için kabin içindeki tüm düğmeleri değiştiriniz. To interchange please revise all buttons in the cab.

250504-00

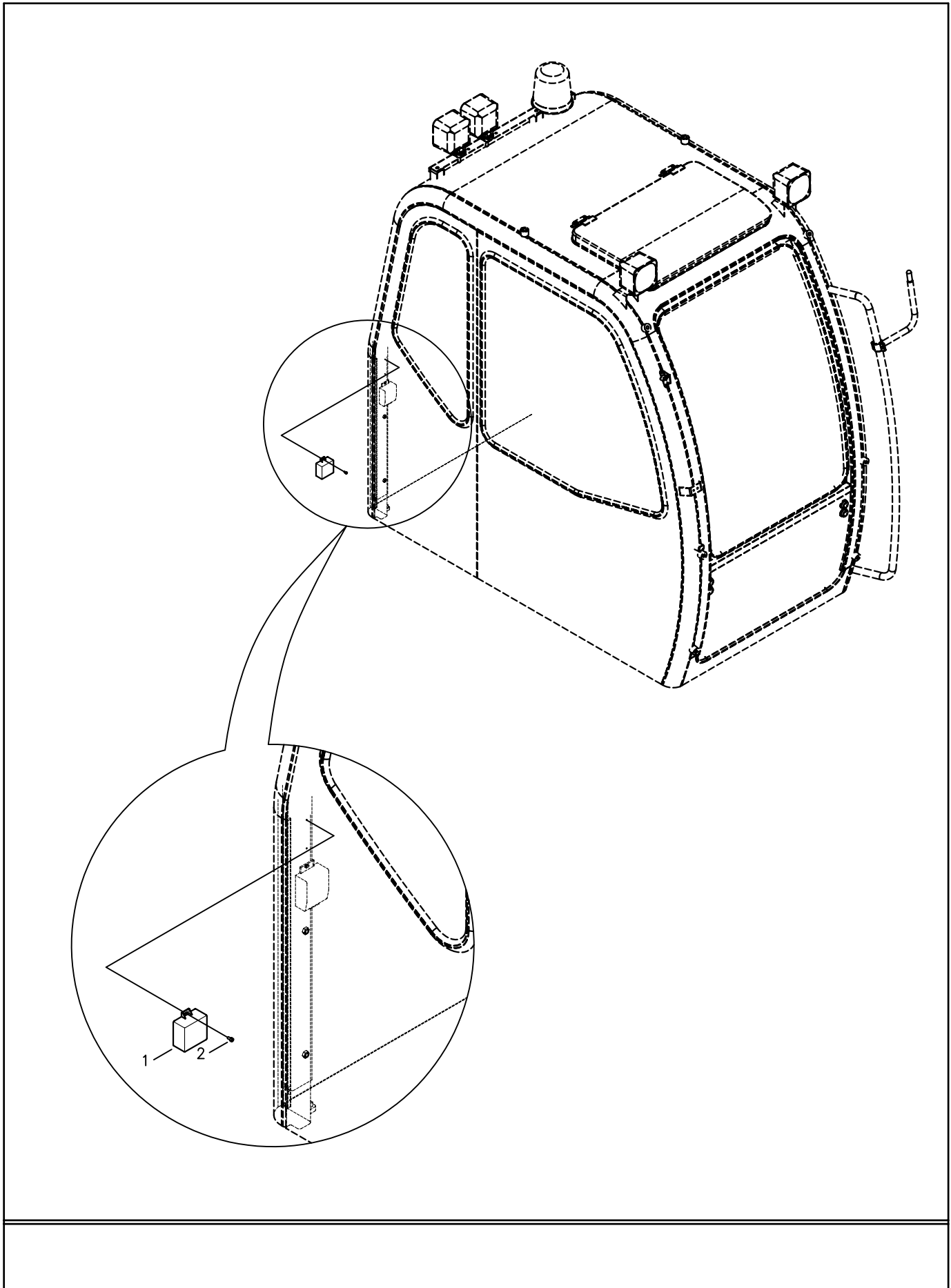
KORUYUCU KAFES (OP)
WINDOW GUARD (OP)



KORUYUCU KAFES (OP)
WINDOW GUARD (OP)

No	Parça No	Adı	Adet	Not	Seri No	Y. Kul. S.K.
No	Part No	Description	Q'ty	Note	Serial No	ICA S.C.
	H340510000	Koruyucu Kafes Mont.	Window Guard Ass'y.	1		
1	H340510100	Koruyucu Kafes	Window Guard	1		
2	N01/0232498	A.K.B. Civata	Bolt,Hex.	6	M10x35	
3	N03/1310011	Yaylı Rondela	Washer, Spr.	6	M10	
4	N03/0020121	Pul	Washer, Pln.	6	M10	

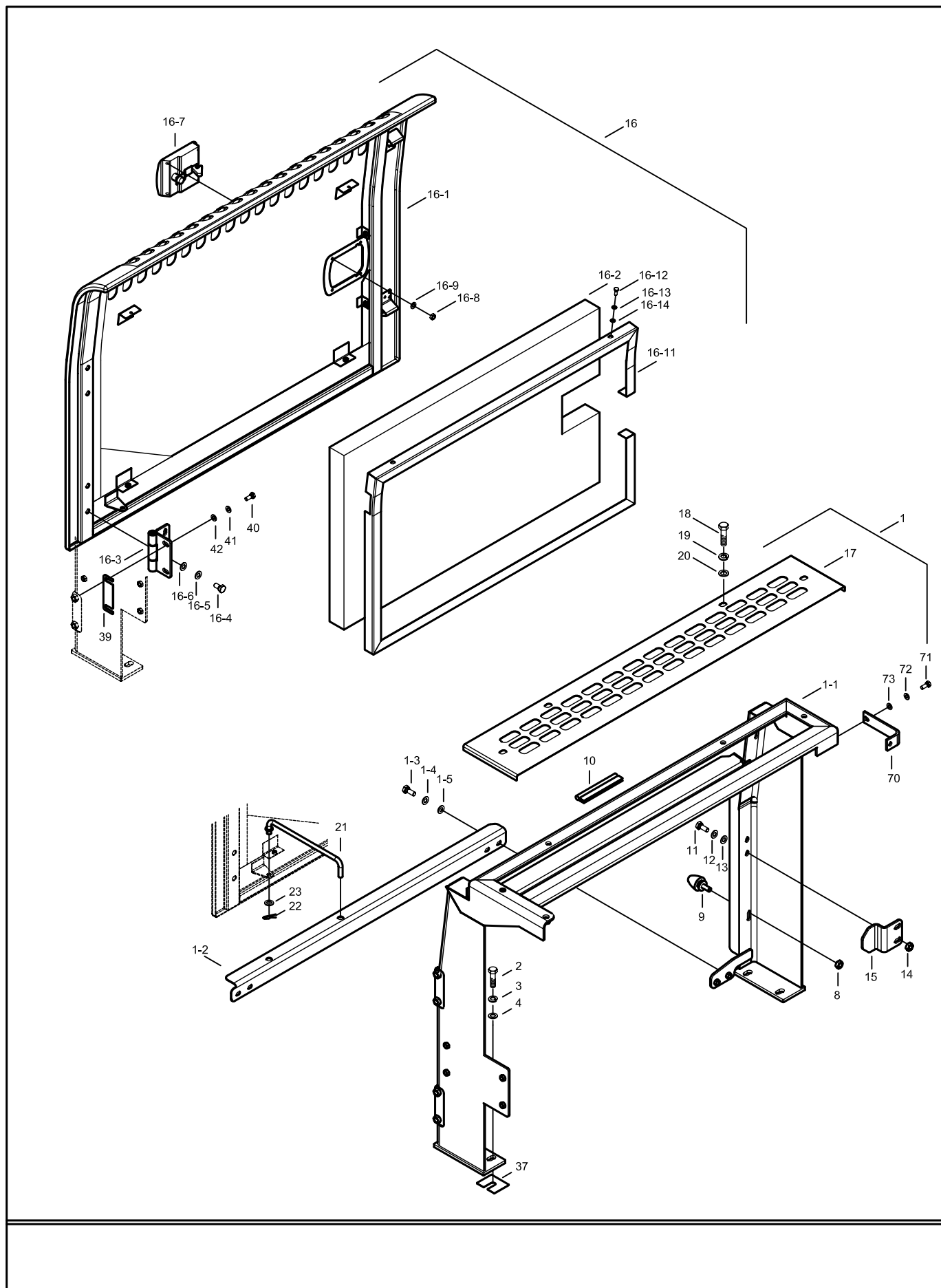
IMMOBILIZER (OP)
IMMOBILIZER (OP)



IMMOBILIZER (OP)
IMMOBILIZER (OP)

No	Parça No	Adı	Adet	Not	Seri No	Y. Kul. S.K.
No	Part No	Description	Q'ty	Note	Serial No	ICA S.C.
1	H230504100	Immobilizer	1			
2	N01/5870014	Cıvata	2	M4x8		

KAPORTA MONTAJI (1) COWLING MOUNTING (1)



KAPORTA MONTAJI (1)
COWLING MOUNTING (1)

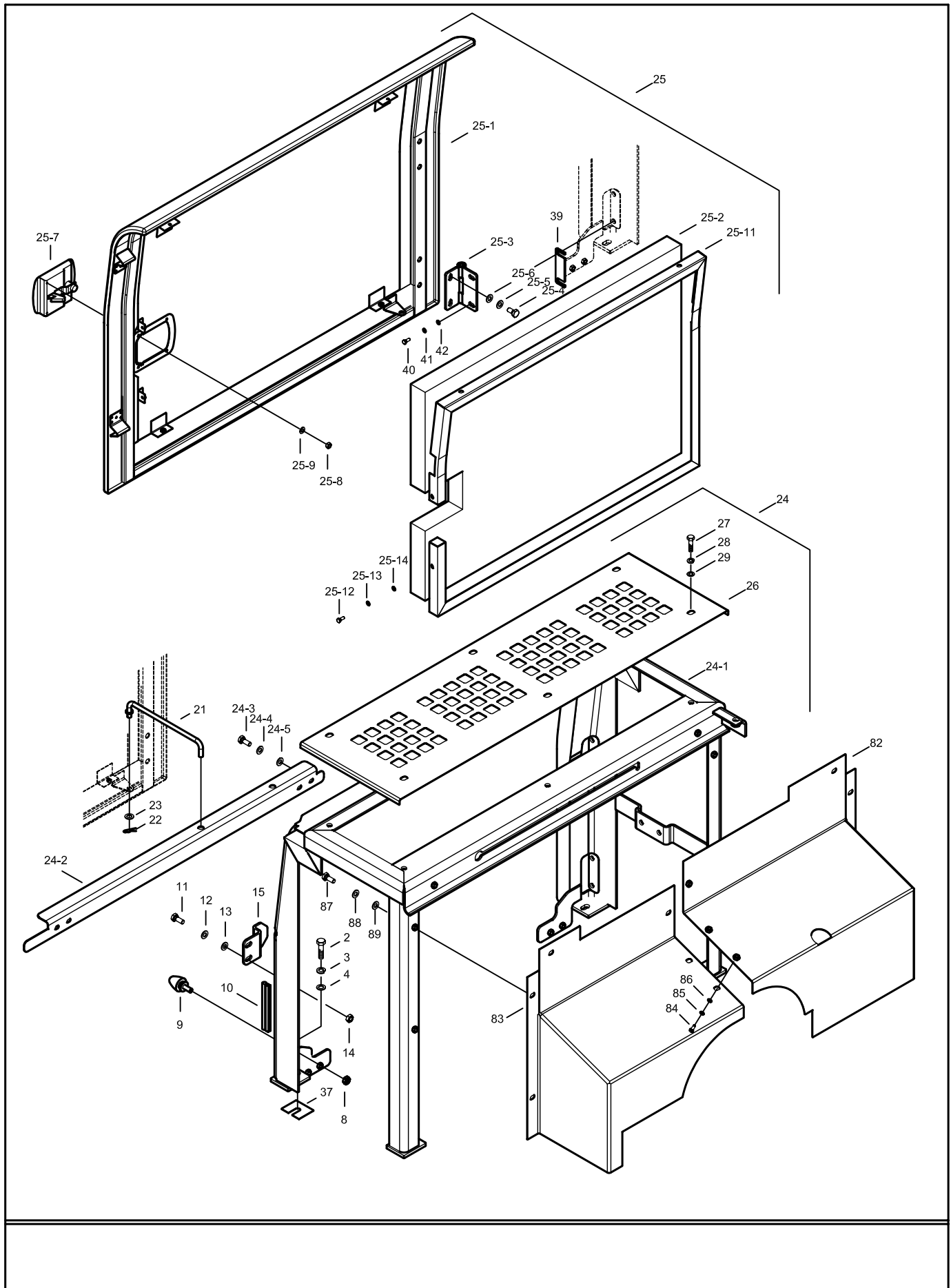
No	Parça No	Adı	Adet	Not	Seri No	Y. Kul. S.K.
No	Part No	Description	Q'ty	Note	Serial No	ICA S.C.
1	H251100200	Çerçeve Mon. Rad.	Support Ass'y, Rad.	1	5125001	D
	H251100201	Çerçeve Mon. Rad.	Support Ass'y, Rad.	1	6125001-7125019	D
	H251100202	Çerçeve Mon. Rad.	Support Ass'y, Rad.	1	7125020-	D
1_1	H251100300	Çerçeve Sacı KM	Support WA	1	5125001	D
	H251100301	Çerçeve Sacı KM	Support WA	1	6125001-7125019	D
	H251100302	Çerçeve Sacı KM	Support WA	1	7125020-	D
1_2	H251101500	Bağlantı Sacı	Support	1	5125001-7125019	D
	H251101601	Bağlantı Sacı	Support	1	7125020-	D
1_3	N01/0232114	A.K.B. Civata	Bolt, Hex.	4	M8x20	
1_4	N03/1310010	Yaylı Rondela	Washer, Spr.	4	M8	
1_5	N03/0100016	Pul	Washer, Pln.	4	M8	
2	N01/0232858	A.K.B. Civata	Bolt, Hex.	4	M12x35	
3	N03/1310012	Yaylı Rondela	Washer, Spr.	4	M12	
4	N03/0100023	Pul	Washer, Pln.	4	M12	
8	N02/3570206	A.K. Somun	Nut, Hex.	2	M10	
9	H341102900	Stoper	Stopper	2		
10	98Z020010	Fitul	Weather Strip			
11	N01/0232462	A.K.B. Civata	Bolt, Hex.	2	M10x25	
12	N03/1310011	Yaylı Rondela	Washer, Spr.	2	M10	
13	N03/0100020	Pul	Washer, Pln.	2	M10	
14	N02/3570206	A.K. Somun	Nut, Hex.	2	M10	
15	H341103101	Kilit Sacı	Plate, Lock	1	5125001	D
	H341103102	Kilit Sacı	Plate, Lock	1	6125001-7125019	D
	H341103103	Kilit Sacı	Plate, Lock	1	7125020-	D
16	H251102500	Kapı Montajı	Door Ass'y	1	5125001	D
	H251102502	Kapı Montajı	Door Ass'y	1	6125001-7125019	D
	H251102503	Kapı Montajı	Door Ass'y	1	7125020-	D
16_1	H251102600	Kapı KM	Door WA	1	5125001	D
	H251102602	Kapı KM	Door WA	1	6125001-7125019	D
	H251102603	Kapı KM	Door WA	1	7125020-	D
16_2	H251103800	Yalıtıcı	Sponge	1	5125001	D
	H251103801	Yalıtıcı	Sponge	1	6125001-7125019	D
	H251103802	Yalıtıcı	Sponge	1	7125020-	D
16_3	H341128100	Menteşe	Hinge	1	5125001-7125019	D
	H341128101	Menteşe	Hinge	1	7125020-	D
16_4	N01/0232438	A.K.B. Civata	Bolt, Hex.	4	M10x20	
16_5	N03/0020121	Pul	Washer, Pln.	4	M10	
16_6	N03/1310011	Yaylı Rondela	Washer, Spr.	4	M10	
16_7	H343407601	Kilit Komplexi	Lock Ass'y	1	5125001	D
	H343407602	Kilit Komplexi	Lock Ass'y	1	* 6125001-	D
16_8	N02/5880026	Somun	Nut	4	M5	
16_9	N03/0100011	Pul	Washer, Pln.	4	M5	

(*) H341139800 ile birlikte H343407601 yerine kullanılabilir. / It can be used instead of H343407601 with H341139800.

KAPORTA MONTAJI (1)
COWLING MOUNTING (1)

No	Parça No	Adı	Description	Adet	Not	Seri No	Y. Kul. S.K.
No	Part No			Q'ty	Note	Serial No	ICA S.C.
16_11	H251103000	Yalıtıcı Çerçevesi	Sash, Sponge	1		5125001	D
	H251103002	Yalıtıcı Çerçevesi	Sash, Sponge	1		6125001-7125019	D
	H251103003	Yalıtıcı Çerçevesi	Sash, Sponge	1		7125020-	D
16_12	N01/0221478	A.K.B. Cıvata	Bolt, Hex.	6	M6x15		
16_13	N03/1310008	Yaylı Rondela	Washer, Spr.	6	M6		
16_14	N03/0100013	Pul	Washer, Pln.	6	M6		
17	H251118000	Üst Kapak, Radyatör	Cover, Radiator	1		5125001	D
	H251118001	Üst Kapak, Radyatör	Cover, Radiator	1		6125001-	D
18	N01/0232486	A.K.B. Cıvata	Bolt, Hex.	6	M10x30		
19	N03/1310011	Yaylı Rondela	Washer, Spr.	6	M10		
20	N03/0100020	Pul	Washer, Pln.	6	M10		
21	H341105300	Sabitleyici	Bar, Lock	1		5125001-7125019	D
	H341105301	Sabitleyici	Bar, Lock	1		7125020-	D
22	N06/1002015	Gupilya	Pin, Split	1			
23	N03/0100020	Pul	Washer, Pln.	1			
37	H341114300	Şim	Shim	4			
39	H341114202	Ayar Şimi	Shim, Adjustment	2			
40	N01/0232438	A.K.B. Cıvata	Bolt, Hex.	4	M10x20		
41	N03/1310011	Yaylı Rondela	Washer, Spr.	4	M10		
42	N03/0100020	Pul	Washer, Pln.	4	M10		
70	H251118800	Bağlantı Sacı	Bracket, Support	1			
71	N01/0232486	A.K.B. Cıvata	Bolt, Hex.	1	M10x30		
72	N03/1310011	Yaylı Rondela	Washer, Spr.	1	M10		
73	N03/0100020	Pul	Washer, Pln.	1	M10		

KAPORTA MONTAJI (2) COWLING MOUNTING (2)



KAPORTA MONTAJI (2)
COWLING MOUNTING (2)

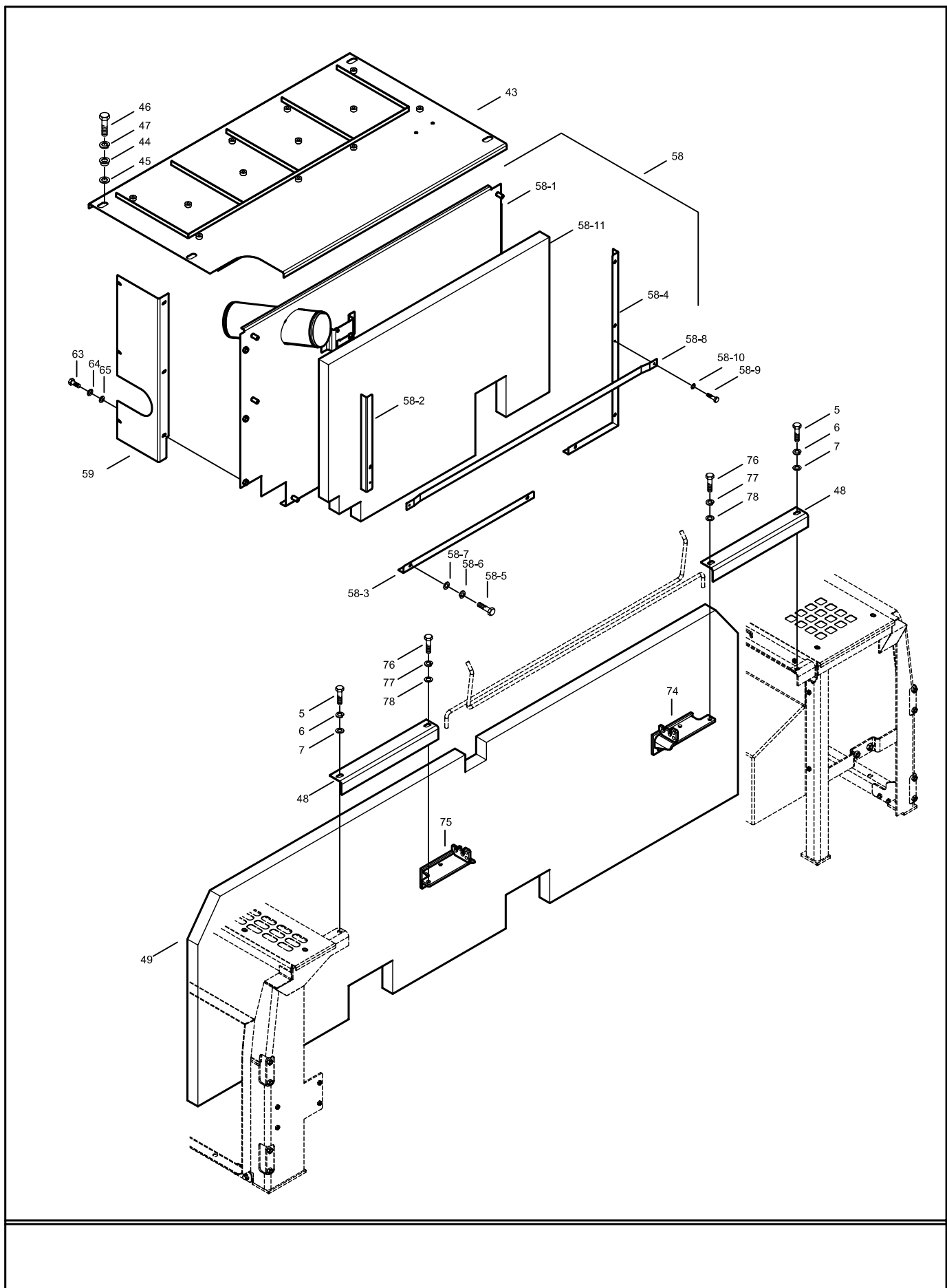
No No	Parça No Part No	Adı	Description	Adet Q'ty	Not Note	Seri No Serial No	Y. Kul. S.K. ICA S.C.
2	N01/0232858	A.K.B. Civata	Bolt, Hex.	4	M12x35		
3	N03/1310012	Yaylı Rondela	Washer, Spr.	4	M12		
4	N03/0100023	Pul	Washer, Pln.	4	M12		
8	N02/3570206	A.K. Somun	Nut, Hex.	2	M10		
9	H341102900	Stoper	Stopper	2			
10	98Z020010	Fitul	Weather Strip				
11	N01/0232462	A.K.B. Civata	Bolt, Hex.	2	M10x25		
12	N03/1310011	Yaylı Rondela	Washer, Spr.	2	M10		
13	N03/0100020	Pul	Washer, Pln.	2	M10		
14	N02/3570206	A.K. Somun	Nut, Hex.	2	M10		
15	H341103101	Kilit Sacı	Plate, Lock	1		5125001	D
	H341103102	Kilit Sacı	Plate, Lock	1		6125001-7125019	D
	H341103103	Kilit Sacı	Plate, Lock	1		7125020-	D
21	H341105300	Sabitleyici	Bar, Lock	1		5125001-7125019	D
	H341105301	Sabitleyici	Bar, Lock	1		7125020-	D
22	N06/1002015	Gupilya	Pin, Split	1			
23	N03/0100020	Pul	Washer, Pln.	1			
24	H251104000	Çerçeve Mon. Pompa	Support Ass'y, Pump	1		5125001	D
	H251104001	Çerçeve Mon. Pompa	Support Ass'y, Pump	1		6125001-7125019	D
	H251104002	Çerçeve Mon. Pompa	Support Ass'y, Pump	1		7125020-	D
24_1	H251104100	Çerçeve Sacı KM	Support WA	1		5125001	D
	H251104101	Çerçeve Sacı KM	Support WA	1		6125001-7125019	D
	H251104102	Çerçeve Sacı KM	Support WA	1		7125020-	D
24_2	H251105300	Bağlantı Sacı	Support	1		5125001-7125019	D
	H251105401	Bağlantı Sacı	Support	1		7125020-	D
24_3	N01/0232114	A.K.B. Civata	Bolt, Hex.	4	M8x20		
24_4	N03/1310010	Yaylı Rondela	Washer, Spr.	4	M8		
24_5	N03/0100016	Pul	Washer, Pln.	4	M8		
25	H251106500	Kapı Montajı	Door Ass'y	1		5125001	D
	H251106502	Kapı Montajı	Door Ass'y	1		6125001-7125019	D
	H251106503	Kapı Montajı	Door Ass'y	1		7125020-	D
25_1	H251106600	Kapı KM	Door WA	1		5125001	D
	H251106602	Kapı KM	Door WA	1		6125001-7125019	D
	H251106603	Kapı KM	Door WA	1		7125020-	D
25_2	H251107600	Yalıtıcı	Sponge	1		5125001	D
	H251107601	Yalıtıcı	Sponge	1		6125001-7125019	D
	H251107602	Yalıtıcı	Sponge	1		7125020-	D
25_3	H341128100	Menteşe	Hinge	1		5125001-7125019	D
	H341128101	Menteşe	Hinge	1		7125020-	D
25_4	N01/0232438	A.K.B. Civata	Bolt, Hex.	4	M10x20		
25_5	N03/0020121	Pul	Washer, Pln.	4	M10		
25_6	N03/1310011	Yaylı Rondela	Washer, Spr.	4	M10		
25_7	H343407601	Kilit Komplexi	Lock Ass'y	1		5125001	D
	H343407602	Kilit Komplexi	Lock Ass'y	1	*	6125001-	D

(*) H341139800 ile birlikte H343407601 yerine kullanılabilir. / It can be used instead of H343407601 with H341139800.

KAPORTA MONTAJI (2)
COWLING MOUNTING (2)

No	Parça No	Adı	Description	Adet	Not	Seri No	Y. Kul. S.K.
No	Part No			Q'ty	Note	Serial No	ICA S.C.
25_8	N02/5880026	Somun	Nut	4	M5		
25_9	N03/0100011	Pul	Washer, Pln.	4	M5		
25_11	H251107000	Yalıtıcı Çerçevesi	Sash, Sponge	1		5125001	D
	H251107002	Yalıtıcı Çerçevesi	Sash, Sponge	1		6125001-7125019	D
	H251107003	Yalıtıcı Çerçevesi	Sash, Sponge	1		7125020-	D
25_12	N01/0221478	A.K.B. Civata	Bolt, Hex.	6	M6x15		
25_13	N03/1310008	Yaylı Rondela	Washer, Spr.	6	M6		
25_14	N03/0020004	Pul	Washer, Pln.	6	M6		
26	H251118100	Üst Kapak, Pompa	Cover, Pump	1		5125001	D
	H251118101	Üst Kapak, Pompa	Cover, Pump	1		6125001-	D
27	N01/0232486	A.K.B. Civata	Bolt, Hex.	6	M10x30		
28	N03/1310011	Yaylı Rondela	Washer, Spr.	6	M10		
29	N03/0100020	Pul	Washer, Pln.	6	M10		
37	H341114300	Şim	Shim	4			
39	H341114202	Ayar Şimi	Shim, Adjustment	2			
40	N01/0232438	A.K.B. Civata	Bolt, Hex.	4	M10x20		
41	N03/1310011	Yaylı Rondela	Washer, Spr.	4	M10		
42	N03/0100020	Pul	Washer, Pln.	4	M10		
82	H251118900	Ara Sac, Pompa, Ön	Cover, Pump, Front	1			
83	H251119100	Ara Sac, Pompa, Ar.	Cover, Pump, Rear	1			
84	N01/0232114	A.K.B. Civata	Bolt, Hex.	3	M8x20		
85	N03/1310010	Yaylı Rondela	Washer, Spr.	3	M8		
86	N03/0020111	Pul	Washer, Pln.	3	M8		
87	N01/0232462	A.K.B. Civata	Bolt, Hex.	6	M10x25		
88	N03/1310011	Yaylı Rondela	Washer, Spr.	6	M10		
89	N03/0020121	Pul	Washer, Pln.	6	M10		

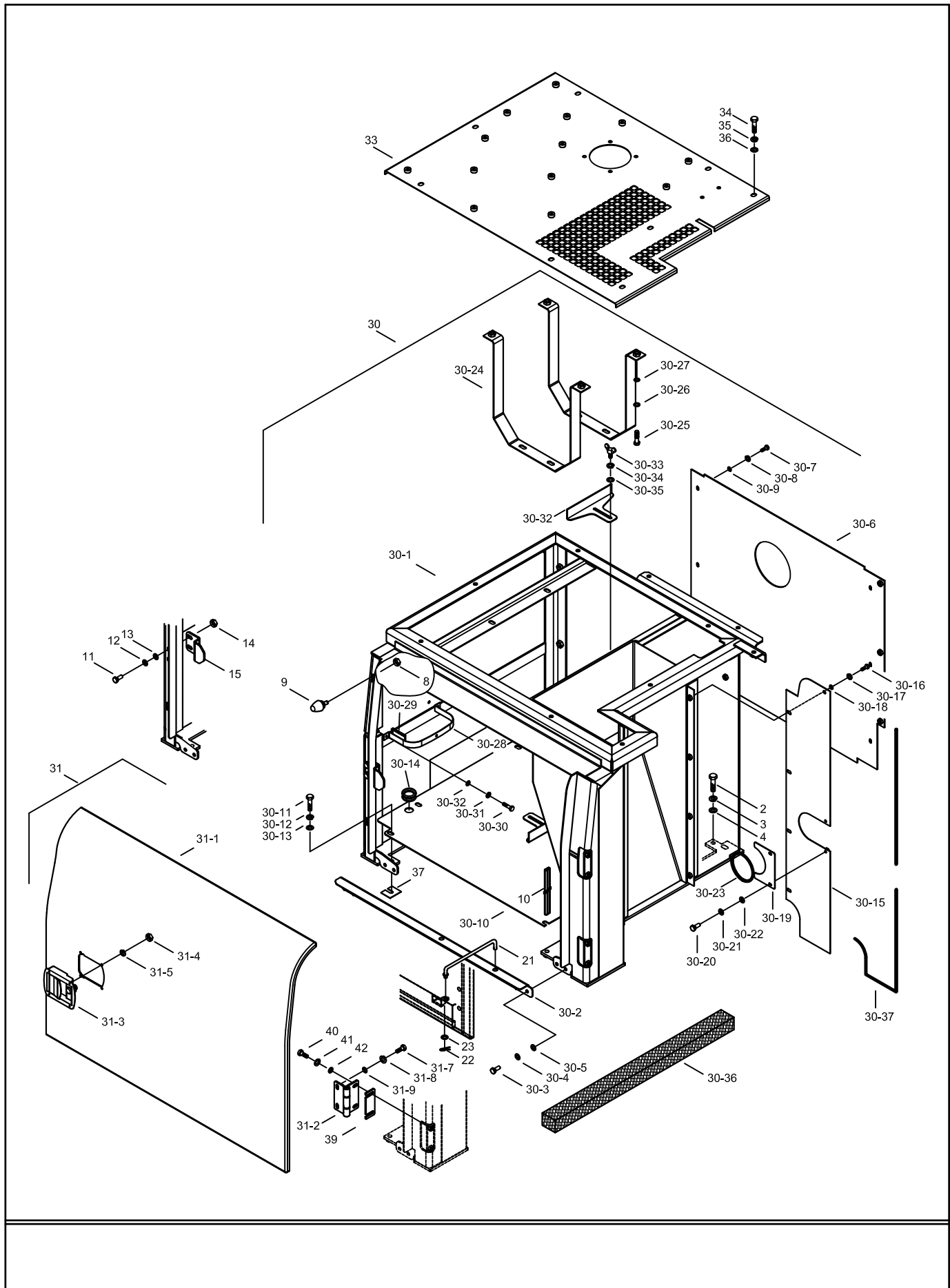
KAPORTA MONTAJI (3) COWLING MOUNTING (3)



KAPORTA MONTAJI (3)
COWLING MOUNTING (3)

No	Parça No	Adı	Adet	Not	Seri No	Y. Kul. S.K.
No	Part No	Description	Q'ty	Note	Serial No	ICA S.C.
5	N01/0232858	A.K.B. Civata	Bolt, Hex.	2	M12x35	
6	N03/1310012	Yaylı Rondela	Washer, Spr.	2	M12	
7	N03/0100023	Pul	Washer, Pln.	2	M12	
43	H251117000	Üst Kapak, AKV	Cover, MCV	1		
44	H341126600	Bağlantı Burcu, Kapak	Bush, Conn., Cover	4		
45	H341126700	Pul	Washer, Pln.	4		
46	N01/0380566	A.K.B. Civata	Bolt, Hex.	4	M10x30	
47	N03/1310011	Yaylı Rondela	Washer, Spr.	4	M10	
48	H251118500	Köşebent Sacı	Angle Bracket	2		
49	H341125001	Yalıtıcı	Sponge	1		
58	H251115500	Kapak Sacı Montajı	Cover Ass'y	1	5125001	D
	H251115501	Kapak Sacı Montajı	Cover Ass'y	1	6125001-6125002	D
	H251115503	Kapak Sacı Montajı	Cover Ass'y	1	6125003-	D
58_1	H251115600	Kapak Sacı KM	Cover WA	1	5125001	D
	H251115601	Kapak Sacı KM	Cover WA	1	6125001-6125002	D
	H251115603	Kapak Sacı KM	Cover WA	1	6125003-	D
58_2	H251115900	İzolasyon Sacı	Bracket, Sponge	1	5125001-6125002	D
	H251115901	İzolasyon Sacı	Bracket, Sponge	1	6125003-	D
58_3	H251116000	İzolasyon Sacı	Bracket, Sponge	1	5125001-6125002	D
	H251116001	İzolasyon Sacı	Bracket, Sponge	1	6125003-	D
58_4	H251116100	İzolasyon Sacı	Bracket, Sponge	1	5125001-6125002	D
	H251116101	İzolasyon Sacı	Bracket, Sponge	1	6125003-	D
58_5	N01/0221514	A.K.B. Civata	Bolt, Hex.	8	M6x25	
58_6	N03/0020004	Yaylı Rondela	Washer, Spr.	8	M6	
58_7	N03/0100013	Pul	Washer, Pln.	8	M6	
58_8	H251116300	Yalıtıcı Sacı	Bracket, Sponge	1		
58_9	N04/1150349	Vida	Screw	2		
58_10	N03/0100011	Pul	Washer, Pln.	2	M5	
58_11	H251116400	Yalıtıcı	Sponge	1	5125001-6125002	D
	H251116401	Yalıtıcı	Sponge	1	6125003-	D
59	H251116800	Bağlantı Sacı	Support, Sponge	1	5125001	D
	H251116801	Bağlantı Sacı	Support, Sponge	1	6125001-6125002	D
	H251116802	Bağlantı Sacı	Support, Sponge	1	6125003-	D
63	N01/0232114	A.K.B. Civata	Bolt, Hex.	6		
64	N03/1310010	Yaylı Rondela	Washer, Spr.	6		
65	N03/0100016	Pul	Washer, Pln.	6		
74	H251125100	Bağlantı Sacı, KM, Sol	Support WA, L	1		
75	H251125600	Bağlantı Sacı, KM, Sağ	Support WA, R	1		
76	N01/0232486	A.K.B. Civata	Bolt, Hex.	8		
77	N03/1310011	Yaylı Rondela	Washer, Spr.	8		
78	N03/0020121	Pul	Washer, Pln.	8		

KAPORTA MONTAJI (4) COWLING MOUNTING (4)



KAPORTA MONTAJI (4)
COWLING MOUNTING (4)

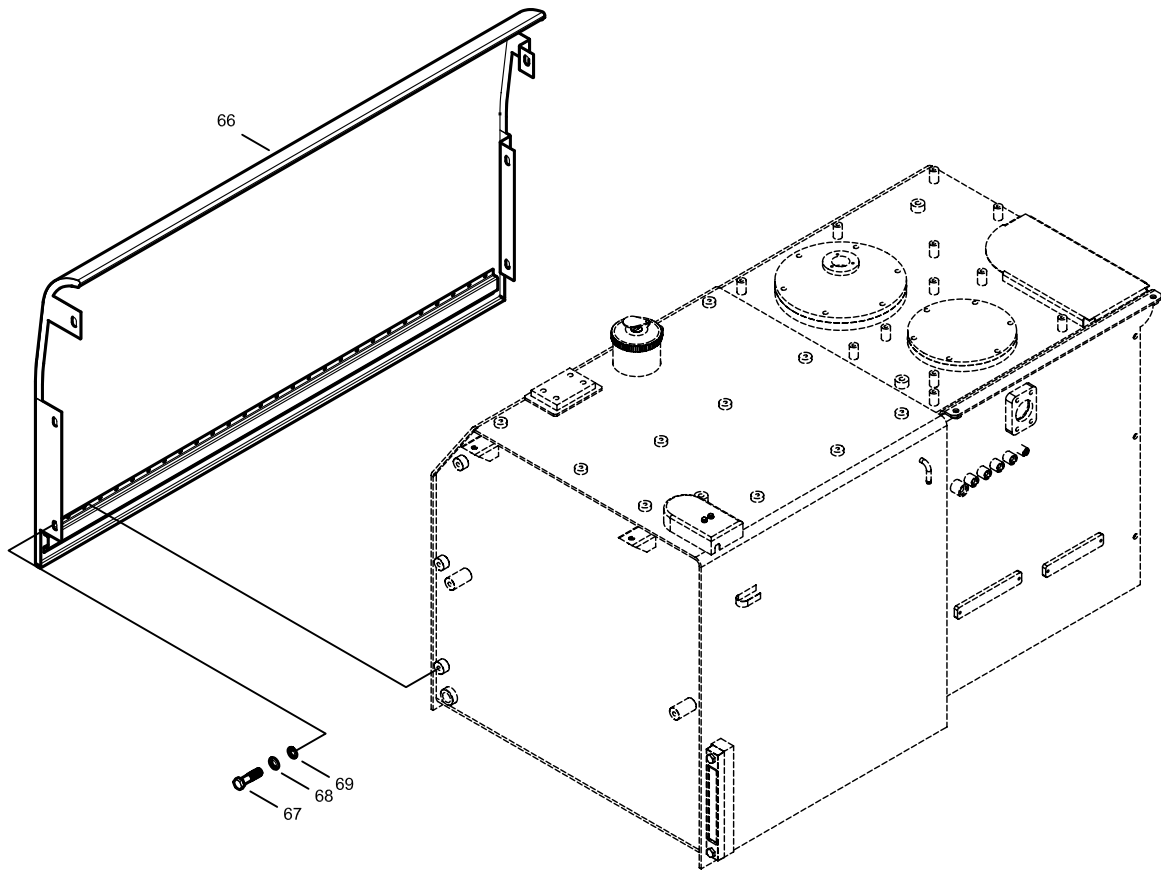
No No	Parça No Part No	Adı	Description	Adet Q'ty	Not Note	Seri No Serial No	Y. Kul. S.K. ICA S.C.
2	N01/0232858	A.K.B. Civata	Bolt, Hex.	4	M12x35		
3	N03/1310012	Yaylı Rondela	Washer, Spr.	4	M12		
4	N03/0100023	Pul	Washer, Pln.	4	M12		
8	N02/3570206	A.K. Somun	Nut, Hex.	2	M10		
9	H341102900	Stoper	Stopper	2			
10	98Z020010	Fitul	Weather Strip				
11	N01/0232462	A.K.B. Civata	Bolt, Hex.	2	M10x25		
12	N03/1310011	Yaylı Rondela	Washer, Spr.	2	M10		
13	N03/0100020	Pul	Washer, Pln.	2	M10		
14	N02/3570206	A.K. Somun	Nut, Hex.	2	M10		
15	H341103101	Kilit Sacı	Plate, Lock	1		5125001	D
	H341103102	Kilit Sacı	Plate, Lock	1		6125001-7125019	D
	H341103103	Kilit Sacı	Plate, Lock	1		7125020-	D
21	H341105300	Sabitleyici	Bar, Lock	1		5125001-7125019	D
	H341105301	Sabitleyici	Bar, Lock	1		7125020-	D
22	N06/1002015	Gupilya	Pin, Split	1			
23	N03/0100020	Pul	Washer, Pln.	1			
30	H251108000	Çerçeve Mon. Filtre	Support Ass'y, Filter	1		5125001	D
	H251108001	Çerçeve Mon. Filtre	Support Ass'y, Filter	1		6125001-7125019	D
	H251108002	Çerçeve Mon. Filtre	Support Ass'y, Filter	1		7125020-7125178	D
	H251108003	Çerçeve Mon. Filtre	Support Ass'y, Filter	1		9125001-	D
30_1	H251108100	Çerçeve Sacı KM	Support WA	1		5125001	D
	H251108101	Çerçeve Sacı KM	Support WA	1		6125001-7125019	D
	H251108102	Çerçeve Sacı KM	Support WA	1		7125020-7125178	D
	H251108103	Çerçeve Sacı KM	Support WA	1		9125001-	D
30_2	H251110900	Bağlantı Sacı	Support	1		5125001-7125019	D
	H251111001	Bağlantı Sacı	Support	1		7125020-	D
30_3	N01/0232114	A.K.B. Civata	Bolt, Hex.	4	M8x20		
30_4	N03/1310010	Yaylı Rondela	Washer, Spr.	4	M8		
30_5	N03/0100016	Pul	Washer, Pln.	4	M8		
30_6	H251111100	Kapama Sacı, Filtre	Cover, Filter	1			
30_7	N01/0232138	A.K.B. Civata	Bolt, Hex.	6	M8x25		
30_8	N03/1310010	Yaylı Rondela	Washer, Spr.	6	M8		
30_9	N03/0100016	Pul	Washer, Pln.	6	M8		
30_10	H251111300	Kapama Sacı, Takım K Cover, Tool Box		6		5125001-7125178	D
	H251111301	Kapama Sacı, Takım K Cover, Tool Box		6		9125001-	D
30_11	N01/0232486	A.K.B. Civata	Bolt, Hex.	8	M10x30		
30_12	N03/1310011	Yaylı Rondela	Washer, Spr.	8	M10		
30_13	N03/0100021	Pul	Washer, Pln.	8	M10		
30_14	98Y010250	Gromet	Gromet	1			
30_15	H251111500	İzolasyon Destek Sacı	Support, Sponge	1			
30_16	N01/0232114	A.K.B. Civata	Bolt, Hex.	4	M8x20		
30_17	N03/1310010	Yaylı Rondela	Washer, Spr.	4	M8		
30_18	N03/0100016	Pul	Washer, Pln.	4	M8		

KAPORTA MONTAJI (4)
COWLING MOUNTING (4)

No	Parça No	Adı	Adet	Not	Seri No	Y. Kul. S.K.
No	Part No	Description	Q'ty	Note	Serial No	ICA S.C.
30_19	H251111700	Destek Sacı	Support	1		
30_20	N01/0231514	A.K.B. Cıvata	Bolt, Hex.	2		
30_21	N03/1310008	Yaylı Rondela	Washer, Spr.	2		
30_22	N03/0100013	Pul	Washer, Pln.	2	M6	
30_23	98Y011000	Gromet	Gromet	1		
30_24	H251111800	Tutucu KM, Filtre	Holder WA, Filter	1		
30_25	N01/0232462	A.K.B. Cıvata	Bolt, Hex.	4	M10x25	
30_26	N03/1310011	Yaylı Rondela	Washer, Spr.	4	M10	
30_27	N03/0100021	Pul	Washer, Pln.	4	M10	
30_28	H343410000	Bağlantı Kelepçesi	Holder, Washer Tank	1		
30_29	H343410100	Kelepçe Lastiği	Rubber	1		
30_30	N01/0231478	A.K.B. Cıvata	Bolt, Hex.	2	M6x15	
30_31	N03/0100013	Pul	Washer, Pln.	2	M6	
30_32	H341137300	Takım Tutucu Sac	Holder Bracket, Tool	3		
30_33	N04/2180374	Kelebek Cıvata	Wing Screw	3	M8x16	
30_34	N03/1310010	Yaylı Rondela	Washer, Spr.	3	M8	
30_35	N03/0100016	Pul	Washer, Pln.	3	M8	
30_36	H251116900	Yalıtıcı	Sponge	1		
30_37	98Z020010	Fitul	Weather Strip		1.2m	
31	H251113500	Kapı Montajı	Door Ass'y	1	5125001	D
	H251113501	Kapı Montajı	Door Ass'y	1	6125001-7125019	D
	H251113502	Kapı Montajı	Door Ass'y	1	7125020-	D
31_1	H251113600	Kapı KM	Door WA	1	5125001	D
	H251113601	Kapı KM	Door WA	1	6125001-7125019	D
	H251113602	Kapı KM	Door WA	1	7125020-	D
31_2	H341128100	Menteşe	Hinge	1	5125001-7125019	D
	H341128101	Menteşe	Hinge	1	7125020-	D
31_3	H343407601	Kilit Komplexi	Lock Ass'y	1	5125001	D
	H343407602	Kilit Komplexi	Lock Ass'y	1	* 6125001-	D
31_4	N02/5880026	Somun	Nut	4	M5	
31_5	N03/0100011	Pul	Washer, Pln.	4	M5	
31_7	N01/0232438	A.K.B. Cıvata	Bolt, Hex.	4	M10x20	
31_8	N03/0020121	Pul	Washer, Pln.	4	M10	
31_9	N03/1310011	Yaylı Rondela	Washer, Spr.	4	M10	
33	H251117500	Üst Kapak, Filtre	Cover, Filter	1	5125001	D
	H251117501	Üst Kapak, Filtre	Cover, Filter	1	6125001-	D
34	N01/0232486	A.K.B. Cıvata	Bolt, Hex.	8	M10x30	
35	N03/1310011	Yaylı Rondela	Washer, Spr.	8	M10	
36	N03/0100020	Pul	Washer, Pln.	8	M10	
37	H341114300	Şim	Shim	4		
39	H341114202	Ayar Şimi	Shim, Adjustment	2		
40	N01/0232438	A.K.B. Cıvata	Bolt, Hex.	4	M10x20	
41	N03/1310011	Yaylı Rondela	Washer, Spr.	4	M10	
42	N03/0100020	Pul	Washer, Pln.	4	M10	

(*) H341139800 ile birlikte H343407601 yerine kullanılabilir. / It can be used instead of H343407601 with H341139800.

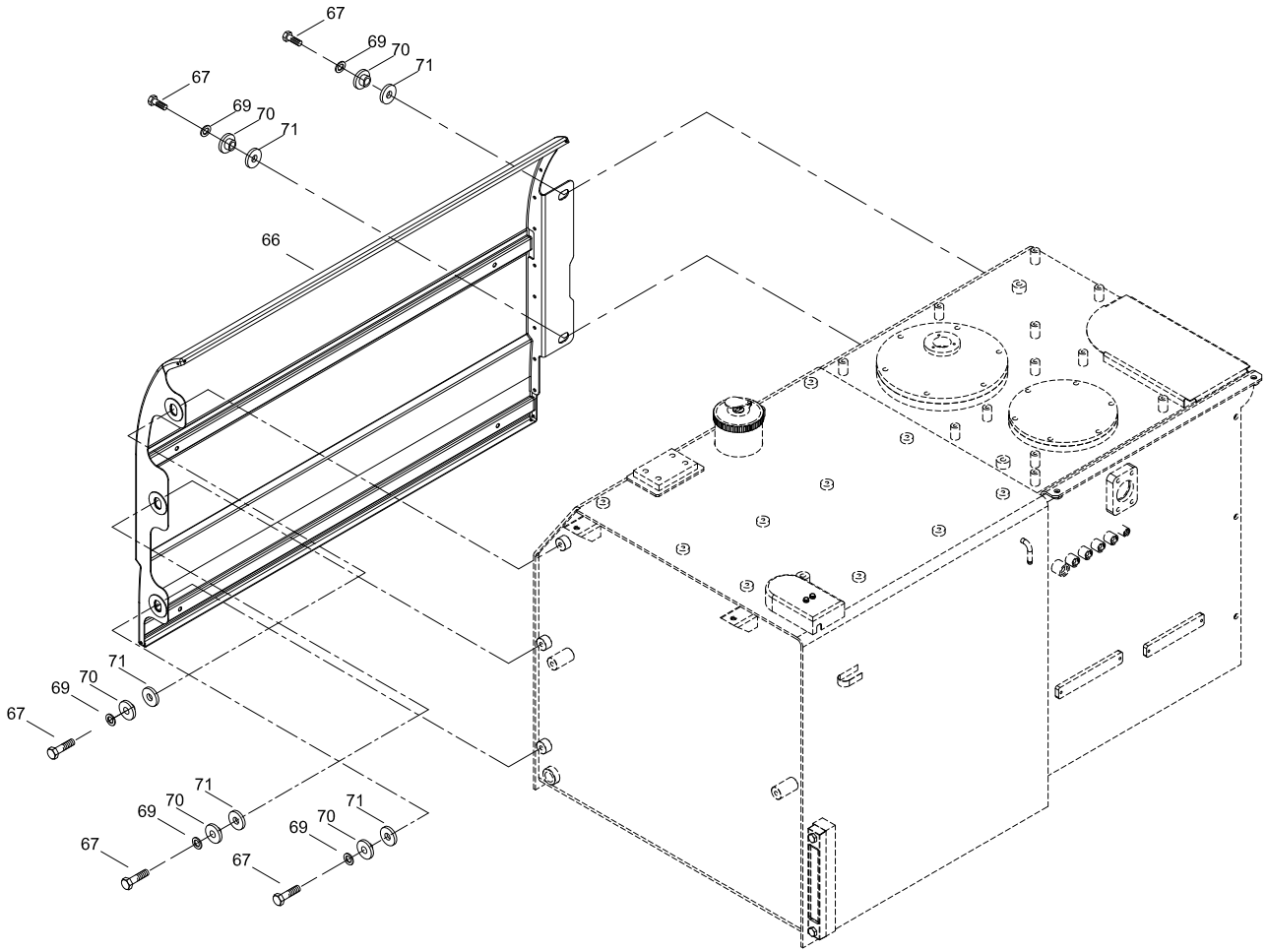
KAPORTA MONTAJI (5)
COWLING MOUNTING (5)



KAPORTA MONTAJI (5)
COWLING MOUNTING (5)

No	Parça No	Adı	Description	Adet	Not	Seri No	Y. Kul. S.K.
No	Part No			Q'ty	Note	Serial No	ICA S.C.
66	H251115000	Kapak KM, Depolar	Cover WA, Tank	1		5125001-7125019	D
	H251115001	Kapak KM, Depolar	Cover WA, Tank	1		7125020-	D
67	N01/0232438	A.K.B Civata	Bolt, Hex.	4	M10x20		
68	N03/1310011	Yaylı Rondela	Washer, Spr.	4	M10		
69	N03/0100020	Pul	Washer, Pln.	4	M10		

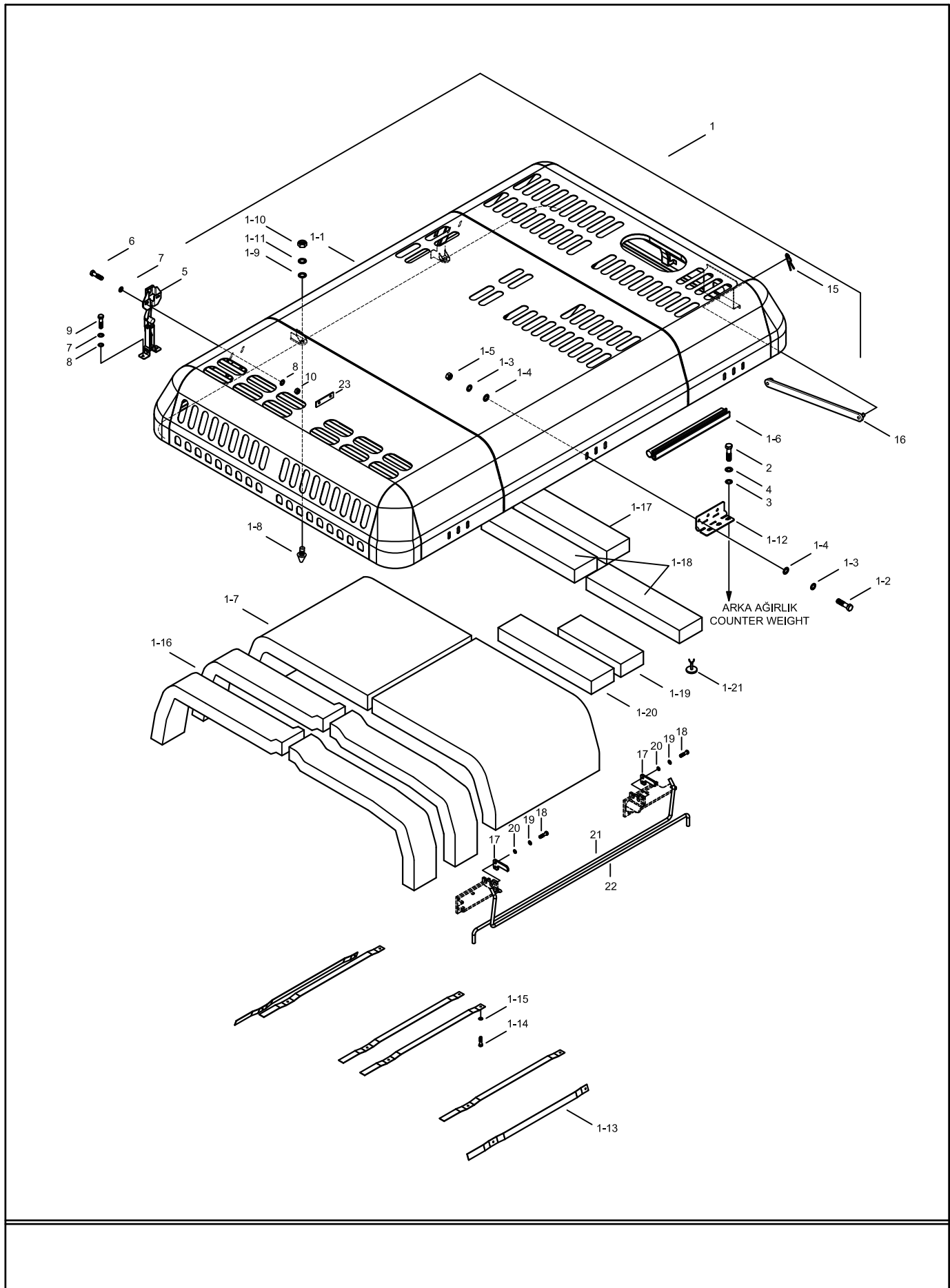
KAPORTA MONTAJI (5) COWLING MOUNTING (5)



KAPORTA MONTAJI (5)
COWLING MOUNTING (5)

No	Parça No	Adı	Description	Adet	Not	Seri No	Y. Kul. S.K.
No	Part No			Q'ty	Note	Serial No	ICA S.C.
66	H251115002	Kapak KM, Depolar	Cover WA, Tank	1		9125065-	
67	N01/0232486	A.K.B. Civata	Bolt, Hex.	5	M10x30		
69	N03/0100021	Pul	Washer	5			
70	H341163800	Bağlantı Burcu	Bushing	5			
71	H341163700	Pul; Titreşim Emici	Washer, anti-vibrate	5			

KAPORTA MONTAJI (6) COWLING MOUNTING (6)



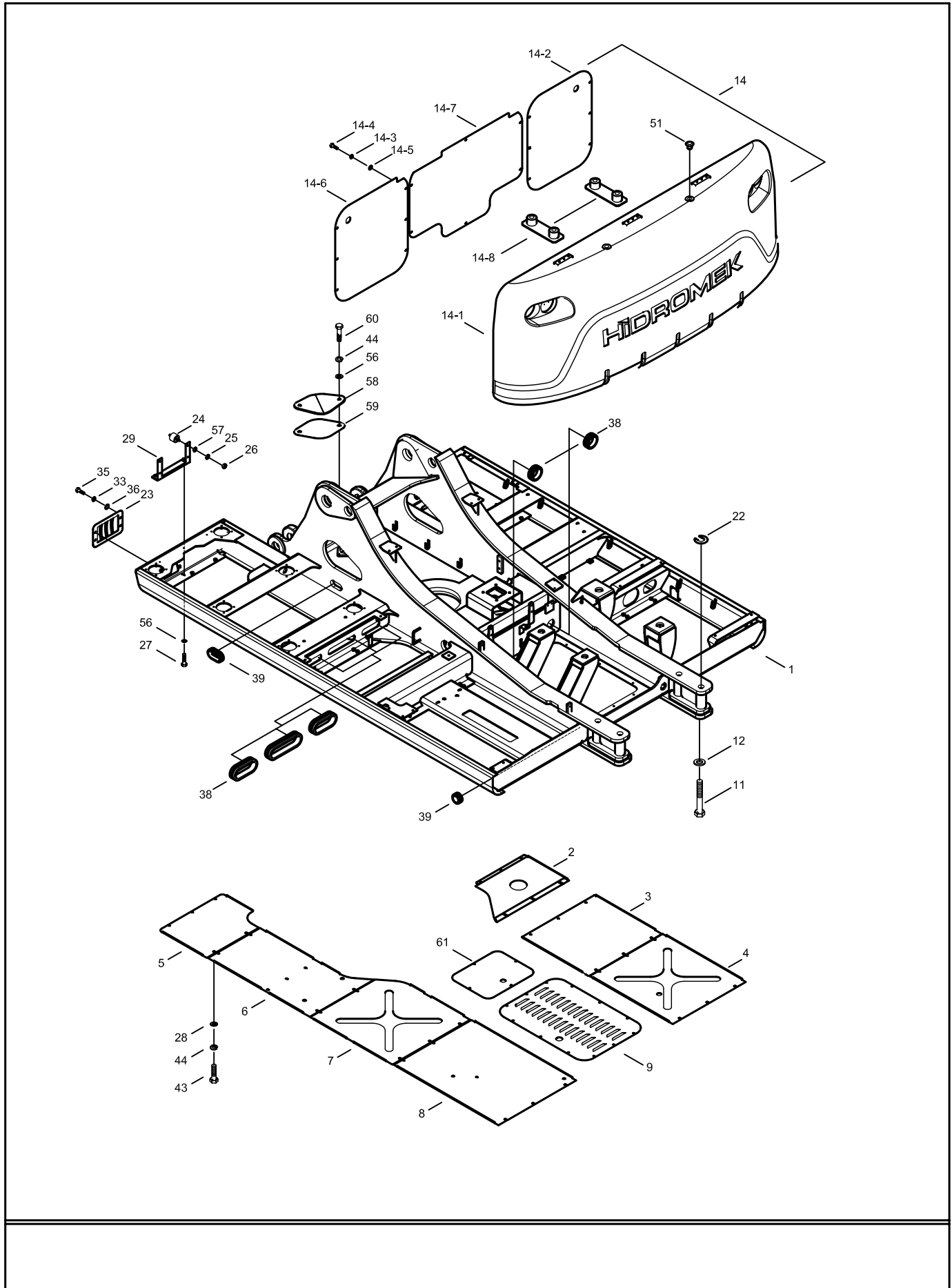
KAPORTA MONTAJI (6)
COWLING MOUNTING (6)

No	Parça No	Adı	Description	Adet	Not	Seri No	Y. Kul. S.K.
No	Part No			Q'ty	Note	Serial No	ICA S.C.
1	H251120000	Motor Kaputu Mont.	Engine Hood Ass'y	1		5125001	D
	H251120001	Motor Kaputu Mont.	Engine Hood Ass'y	1		6125001-	D
1_1	H251120100	Motor Kaputu KM	Engine Hood WA	1		5125001	D
	H251120101	Motor Kaputu KM	Engine Hood WA	1		6125001-	D
1_2	N01/0232462	A.K.B. Civata	Bolt, Hex.	9	M10x25		
1_3	N03/1310011	Yaylı Rondela	Washer, Spr.	18	M10		
1_4	N03/0100021	Pul	Washer, Pln.	18	M10		
1_5	N02/5900086	Somun	Nut	9	M10		
1_6	98Z010010	Fitul	Weather Strip		7.1m		
1_7	H251122900	Yalıtıcı	Sponge	2		5125001	D
	H251122901	Yalıtıcı	Sponge	2		6125001-	D
1_8	H251112000	Stoper	Stopper	2			
1_9	N03/0100020	Pul	Washer, Pln.	2			
1_10	N02/3570206	A.K. Somun	Nut, Hex.	2	M10		
1_11	N03/1310011	Yaylı Rondela	Washer, Spr.	2	M10		
1_12	H341126100	Kaput Menteşesi	Hinge	3			
1_13	H251125000	Yalıtıcı Sacı	Plate, Sponge	6			
1_14	N01/0221156	A.K.B. Civata	Bolt, Hex.	12	M5x10		
1_15	N03/0100011	Pul	Washer, Pln.	12	M5		
1_16	H251123000	Yalıtıcı	Sponge	2		5125001	D
	H251123001	Yalıtıcı	Sponge	4		6125001-	D
1_17	H251123500	Yalıtıcı	Sponge	1		6125001-	
1_18	H251123600	Yalıtıcı	Sponge	2		6125001-	
1_19	H251123700	Yalıtıcı	Sponge	1		6125001-	
1_20	H251123800	Yalıtıcı	Sponge	1		6125001-	
1_21	H341139700	Yalıtıcı Tutucu	Holder, Sponge	25		6125001-	
2	N03/1310011	Yaylı Rondela	Washer, Spr.	9	M10		
3	N03/0100021	Pul	Washer, Pln.	9	M10		
4	N01/0232438	A.K.B. Civata	Bolt, Hex.	9	M10x20		
5	H251124200	Kaput Kilidi	Catch	2		6125001-7125153	D
	H341113901	Kaput Kilidi	Catch	2		7125154-	C
6	N01/0232138	A.K.B. Civata	Bolt, Hex.	4	M8x25		
7	N03/1310010	Yaylı Rondela	Washer, Spr.	8	M8		
8	N03/0100016	Pul	Washer, Pln.	8	M8		
9	N01/0380386	A.K.B. Civata	Bolt, Hex.	4	M8x40		
10	N02/3570182	A.K. Somun	Nut, Hex.	4	M8	6125001-7125153	
15	N06/1002015	Gupilya	Pin, Split	1			
16	H341114100	Destek Kolu KM	Bar, Lock	1			
17	H251119300	Tutucu Sac	Plate, Sponge	2			
18	N01/0232486	A.K.B. Civata	Bolt, Hex.	4	M8x30		
19	N03/1310011	Yaylı Rondela	Washer, Spr.	4	M8		
20	N03/0100020	Pul	Washer, Pln.	4	M8		
21	H251119400	Kaldırma Yay, Sağ	Torsion Bar, R	1		5125001	D
	H251119401	Kaldırma Yay, Sağ	Torsion Bar, R	1		6125001-	D

KAPORTA MONTAJI (6)
COWLING MOUNTING (6)

No	Parça No	Adı		Adet	Not	Seri No	Y. Kul. S.K.
No	Part No		Description	Q'ty	Note	Serial No	ICA S.C.
22	H251119500	Kaldırma Yayı, Sol	Torsion Bar, L	1		5125001	D
	H251119501	Kaldırma Yayı, Sol	Torsion Bar, L	1		6125001-	D
23	H251126000	Bağlantı Laması	Plate	2		7125154-	

ÜST ŞASI MONTAJI UPPER FRAME MOUNTING



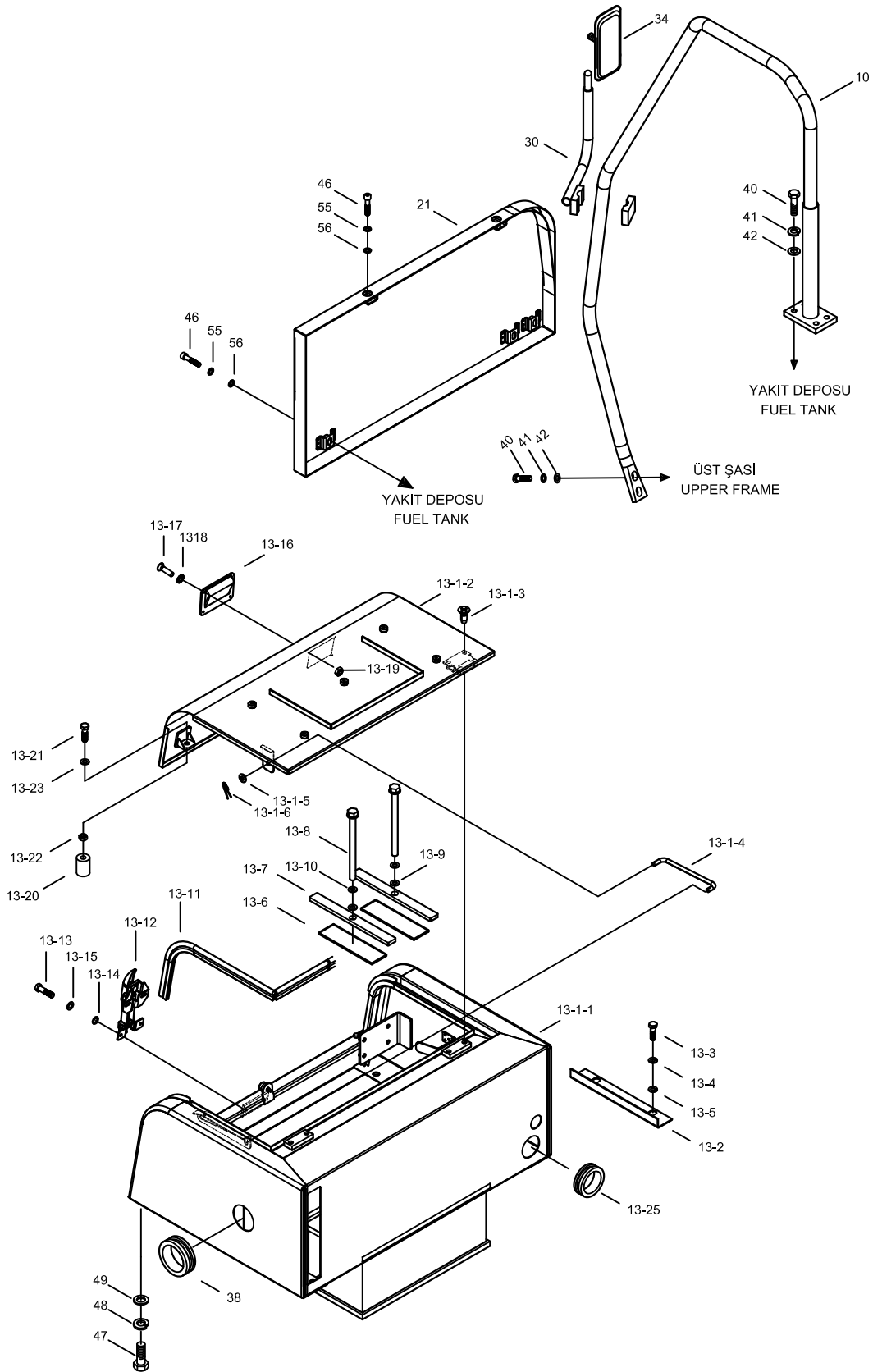
ÜST ŞASI MONTAJI UPPER FRAME MOUNTING

No	Parça No	Adı	Adet	Not	Seri No	Y. Kul. S.K.	
No	Part No	Description	Q'ty	Note	Serial No	ICA S.C.	
1	H251000100	Üst Şasi KM	Upper Frame WA	1	5125001	D	
	H251000102	Üst Şasi KM	Upper Frame WA	1	6125001-	D	
2	H251200200	Alt Kapak Sacı, Y.D.	Cover, Fuel Tank	1	5125001	D	
	H251200201	Alt Kapak Sacı, Y.D.	Cover, Fuel Tank	1	6125001-	D	
3	H251200300	Alt Kapak Sacı, H.D.	Cover, Hyd. Tank	1	5125001	D	
	H251200301	Alt Kapak Sacı, H.D.	Cover, Hyd. Tank	1	6125001-	D	
4	H251200401	Alt Kapak Sacı, Pom.	Cover, Pump	1			
5	H251200500	Alt Kapak Sacı, Kabin	Cover, Cab, FR	1	5125001	D	
	H251200501	Alt Kapak Sacı, Kabin	Cover, Cab, FR	1	6125001-	D	
6	H251200600	Alt Kapak Sacı, Kabin	Cover, Cab, Middle	1	5125001	D	
	H251200601	Alt Kapak Sacı, Kabin	Cover, Cab, Middle	1	6125001-	D	
7	H251200700	Alt Kapak Sacı, Kabin	Cover, Cab, RR	1	5125001	D	
	H251200701	Alt Kapak Sacı, Kabin	Cover, Cab, RR	1	6125001-	D	
8	H251200800	Alt Kapak Sacı	Cover, Air Cln.	1	5125001	D	
	H251200801	Alt Kapak Sacı	Cover, Air Cln.	1	6125001-	D	
9	H251200902	Alt Kapak Sacı, Motor	Cover, Engine	1			
11	H251201200	Cıvata, Arka Ağırlık	Bolt, Counter W.	4	M36x3	5125001	D
	H251201201	Cıvata, Arka Ağırlık	Bolt, Counter W.	4	M39x4	6125001-	D
12	H251201300	Pul	Washer, Pln.	4		5125001	D
	H251201301	Pul	Washer, Pln.	4		6125001-	D
14	H251208400	Arka Ağırlık Mont.	Counter Weight Ass'y	1		7125001-	
14_1	H251201500	Arka Ağırlık KM	Conter Weight WA	1		5125001	D
	H251208500	Arka Ağırlık KM	Conter Weight WA	1		6125001-7125019	D
	H251208501	Arka Ağırlık KM	Conter Weight WA	1		7125020-	D
14_2	H251210800	Kapak Sacı Sağ	Cover, Right	1			
14_3	N03/1310010	Yaylı Rondela	Washer, Spr.	19	M8		
14_4	N01/0222114	A.K.B. Cıvata	Bolt, Hex.	19	M8x20		
14_5	N03/0100016	Pul	Washer, Pln.	19	M8		
14_6	H251210900	Kapak Sacı Sol	Cover, Left	1			
14_7	H251211001	Orta Sac	Cover, Middle	1			
	H251211002	Orta Sac	Cover, Middle	1			
14_8	H251205500	Bağlantı Parçası	Bracket, Wght Mount.	2			
22	H251205300	Şim	Shim	4		5125001	D
	H251205301	Şim	Shim	4		6125001-	D
23	H341201400	Far Muhafazası	Guard, Lamp	2			
24	H341212900	Far Titreşim Lastiği	Rubber, Lamp	8			
25	N03/0100013	Pul	Washer, Pln.	16	M6		
26	N02/3570158	A.K. Somun	Nut, Hex.	16	M6		
27	N01/0232462	A.K.B. Cıvata	Bolt, Hex.	4	M10x25		
28	N03/0020121	Pul	Washer, Pln.	58			
29	H341213000	Far Sacı KM	Bracket, Lamp	2			
33	N03/1310010	Yaylı Rondela	Washer, Spr.	8	M8		
35	N01/0222114	A.K.B. Cıvata	Bolt, Hex.	8	M8x20		
36	N03/0100016	Pul	Washer, Pln.	8	M8		

ÜST ŞASI MONTAJI
UPPER FRAME MOUNTING

No	Parça No	Adı	Description	Adet	Not	Seri No	Y. Kul. S.K.
No	Part No			Q'ty	Note	Serial No	ICA S.C.
38	98Y040120	Gromet	Gromet				
39	98Y040150	Gromet	Gromet				
43	N01/0232486	A.K.B. Civata	Bolt, Hex.	58	M10x30		
44	N03/1310011	Yaylı Rondela	Washer, Spr.	60	M10		
51	H251210100	Tapa	Plug	2			
56	N03/0100021	Pul	Washer, Pln.	6	M10		
57	N03/1310008	Yaylı Rondela	Washer, Spr.	16	M6		
58	H341201500	Kapak	Cover	1			
59	H341201600	Lastik	Gasket	1			
60	N01/0232438	A.K.B. Civata	Bolt, Hex.	2	M10x20		
61	H341230400	Alt Kapak Sacı, AKV	Cover, MCV	1		5125001-6125008	D
	H251211300	Alt Kapak Sacı, AKV	Cover, MCV	1		6128009-	D

AKÜ SANDIĞI MONTAJI BATTERY BOX MOUNTING



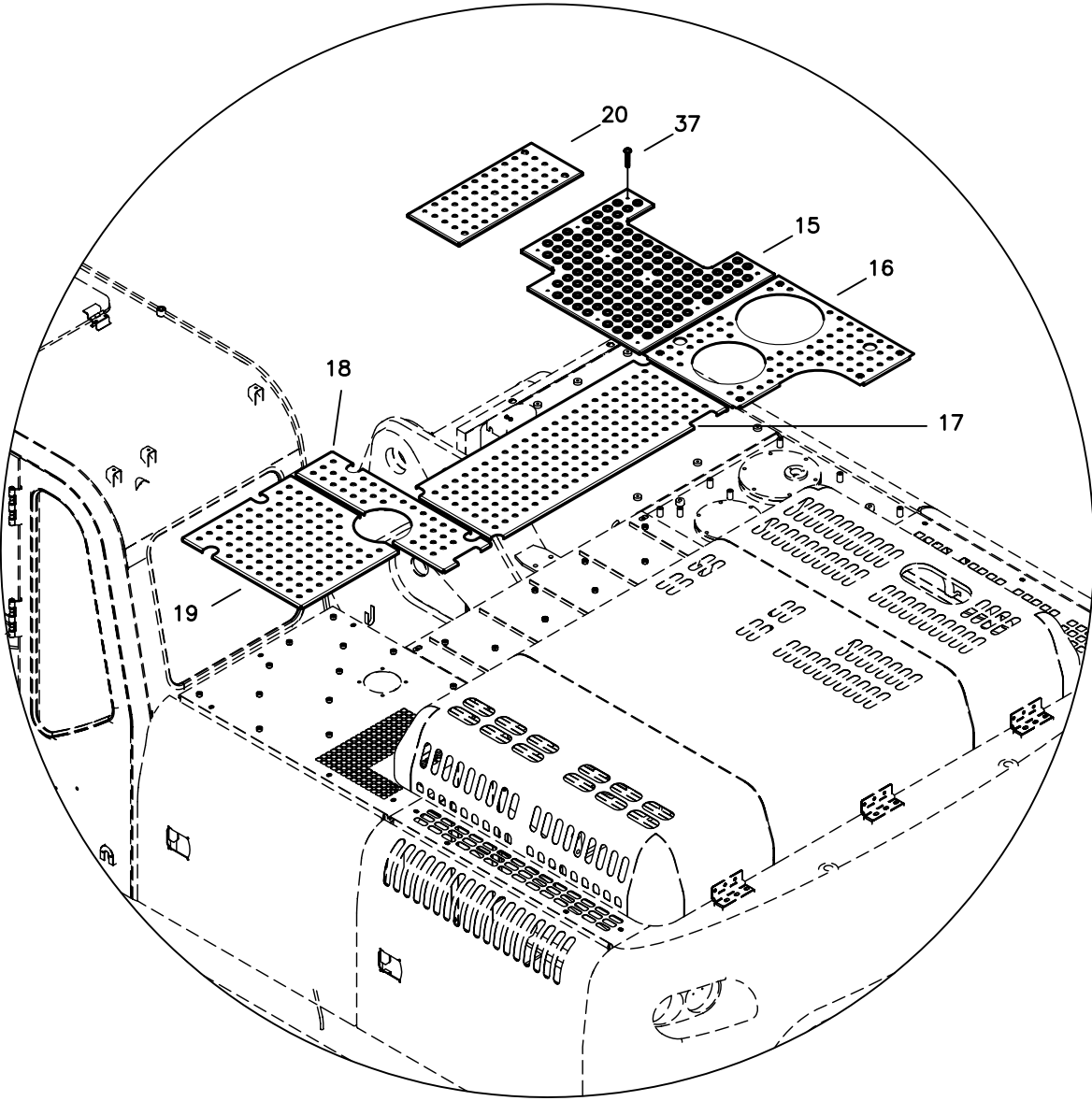
AKÜ SANDIĞI MONTAJI BATTERY BOX MOUNTING

No No	Parça No Part No	Adı Description	Adet Q'ty	Not Note	Seri No Serial No	Y. Kul. S.K. ICA S.C.
10	H251201001	Korkuluk KM	Stay WA	1		
13	H251201400	Akü Sandığı Montajı	Battery Box Mount.	1		
13_1	H251205800	Akü Sandığı Alt. Mont.	Battery Box Sub. Mnt.	1		
13_1_1		Akü Sandığı KM	Battery Box WA	1		
13_1_2		Kapak	Cover	1		
13_1_3	N01/1560014	Havşa Başlı Cıvata	Bolt	4		
13_1_4	H341205800	Sabitleyici	Rod	1		
13_1_5	H341116200	Tutma Parçası	Plate, Holder	2		
13_1_6	N06/1002015	Gupilya	Pin, Split	2		
13_2	H341205900	Destek Sacı	Support	1		
13_3	N01/0223566	A.K.B. Cıvata	Bolt, Hex.	2	M16x35	
13_4	N03/0100027	Pul	Washer, Pln.	2	M16	
13_5	N03/1310014	Yaylı Rondela	Washer, Spr.	2	M16	
13_6	020/40190	Lastik	Rubber	2		
13_7	H341206000	Baskı Laması	Plate, Battery	2		
13_8	N01/0381467	A.K.B. Cıvata	Bolt, Hex.	2	M16x240	
13_9	N03/0100027	Pul	Washer, Pln.	2	M16	
13_10	N03/1310014	Yaylı Rondela	Washer, Spr.	2	M16	
13_11	98Z020010	Fitul	Wheather Strip		2,5m	
13_12	H341113900	Kilit	Catch	1		6125001-7125153 D
	H341113901	Kilit	Catch	1		7125154- C
13_13	N01/0232138	A.K.B. Cıvata	Bolt, Hex.	4	M8x25	
13_14	N03/0100017	Pul	Washer, Pln.	4	M8	
13_15	N03/1310010	Yaylı Rondela	Washer, Spr.	4	M8	
13_16	F99/50000	Elcik	Handle	1		
13_17	N04/3700926	Havşa Başlı Cıvata	Bolt	4	M4x15	
13_18	N03/2500003	Pul	Washer	4		
13_19	N02/5900014	Somun	Nut	4	M4	
13_20	H341217301	Durdurucu	Stopper	2		
13_21	N01/0232510	A.K.B. Cıvata	Bolt, Hex.	2	M10x20	
13_22	N02/3570206	Somun	Nut	4	M10	
13_23	N03/0100020	Pul	Washer, Pln.	2	M10	
13_25	98Y040140	Gromet	Gromet			
21	H251205200	Üst Kapak KM	Cover, Upper	1		5125001 D
	H251205201	Üst Kapak KM	Cover, Upper	1		6125001-7125019 D
	H251205202	Üst Kapak KM	Cover, Upper	1		7125020- D
30	H341217901	Tutucu Boru, Ayna	Stay, Mirror	1		
34	S91/00960	Ayna	Mirror	1		5125001-7125167 D
	S91/00967	Ayna	Mirror			7125168- C
38	98Y040120	Gromet	Gromet			
40	N01/0380842	A.K.B. Cıvata	Bolt, Hex.	6	M12x40	
41	N03/1310012	Yaylı Rondela	Washer, Spr.	6	M12	
42	N03/0100023	Pul	Washer, Pln.	6	M12	
46	N01/5890818	S.B. Cıvata	Bolt, Cyl. Hd.	4	M10x30	

AKÜ SANDIĐI MONTAJI
BATTERY BOX MOUNTING

No	Parça No	Adı	Adet	Not	Seri No	Y. Kul. S.K.
No	Part No	Description	Q'ty	Note	Serial No	ICA S.C.
47	N01/0232858	A.K.B. Civata	4	M12x35		
48	N03/1310012	Yaylı Rondela	4	M12		
49	N03/0100023	Pul	4	M12		
55	N03/1310011	Yaylı Rondela	4	M10		
56	N03/0100021	Pul	10	M6		

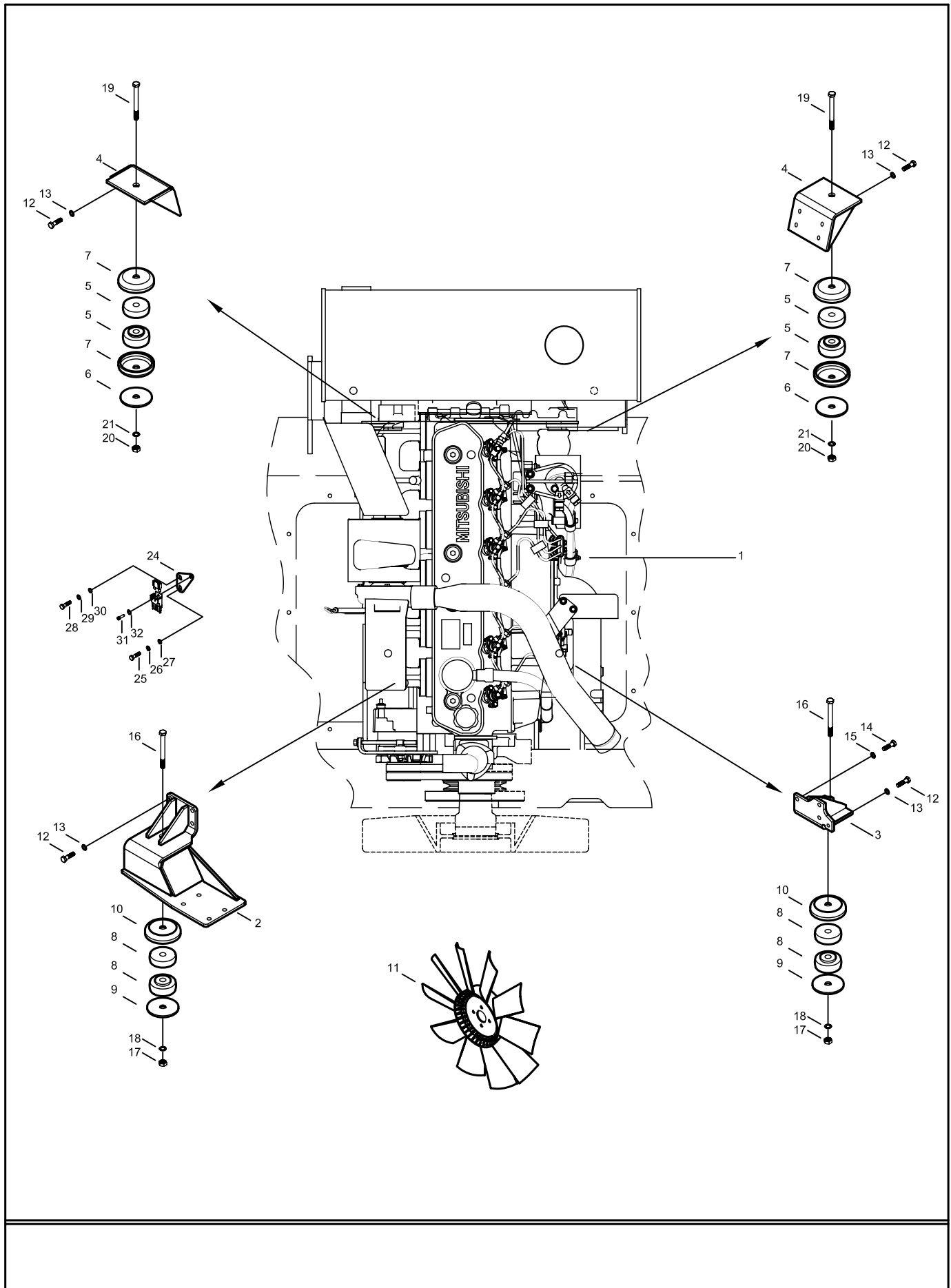
YÜRÜME SAÇLARI ANTI-SLIP WALKWAY



YÜRÜME SAÇLARI
ANTI-SLIP WALKWAY

No	Parça No	Adı	Description	Adet	Not	Seri No	Y. Kul. S.K.
No	Part No			Q'ty	Note	Serial No	ICA S.C.
15	H251204600	Yürüme Sacı, Yakıt D.	A.S. Walkway, Fuel T.	1			
16	H251204700	Yürüme Sacı, Hid. D.	A.S. Walkway, Hyd. T.	1			
17	H251204800	Yürüme Sacı, AKV K.	A.S. Walkway, MCV C.	1			
18	H251204900	Yürüme Sacı, Filt.	A.S. Walkway, Filter	1			
19	H251205000	Yürüme Sacı, Filt.	A.S. Walkway, Filter	1			
20	H251205100	Yürüme Sacı, Akü S.	A.S. Walkway, Acc. B.	1			
37	N04/4320484	Vida, Y.S.B.	Screw	51	M8x15		

MOTOR MONTAJI ENGINE MOUNTING

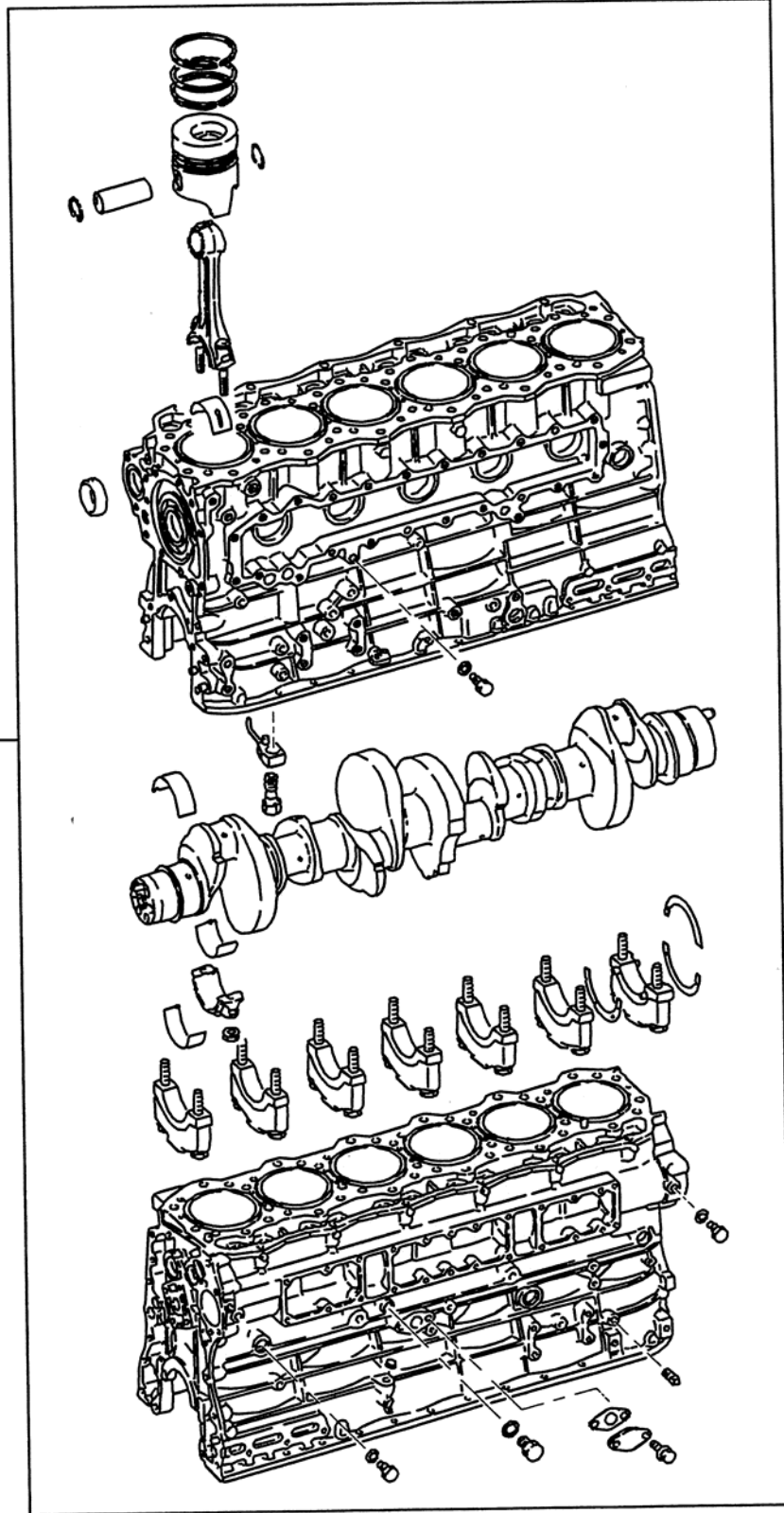


MOTOR MONTAJI
ENGINE MOUNTING

No	Parça No	Adı	Description	Adet	Not	Seri No	Y. Kul. S.K.
No	Part No			Q'ty	Note	Serial No	ICA S.C.
1	H252000100	Motor, 6D16	Engine, 6D16	1			
2	H252000200	Motor Bağlantı Kulağı KM, Sağ, Ön	Bracket WA, Right, Front	1			
3	H252000800	Motor Bağlantı Kulağı KM, Sol, Ön	Bracket WA, Left, Front	1			
4	H252001100	Motor Bağlantı Kulağı, Arka	Bracket, Rear	2			
5	H252001200	Tespit Takozu, Arka	Cushion, Rear	4			
6	H252001300	Pul	Sheet, Eng. RR Mount.	2			
7	H252001400	Tutucu	Stopper, Eng. RR Mount	4			
8	H252001500	Tespit Takozu, Ön	Cushion, Front	4			
9	H252001600	Pul	Sheet, Eng. FR Mount.	2			
10	H252001700	Tutucu	Stopper, Eng. FR Mount	2			
11	H342010200	Fan	Fan	1			
12	N01/0232498	A.K.B. Civata	Bolt, Hex.	13	M10x35		
13	N03/1310011	Yaylı Rondela	Washer, Spr.	13	M10		
14	N01/0232858	A.K.B. Civata	Bolt, Hex.	3	M12x35		
15	N03/1310012	Yaylı Rondela	Washer, Spr.	3	M12		
16	N01/0381608	A.K.B. Civata	Bolt, Hex.	2	M18x110		
17	N02/3570338	A.K., Somun	Nut, Hex.	2	M18		
18	N03/1310032	Yaylı Rondela	Washer, Spr.	2	M18		
19	N01/0381920	A.K.B. Civata	Bolt, Hex.	2	M20x140		
20	N02/3570374	A.K., Somun	Nut, Hex.	2	M20		
21	N03/1310016	Yaylı Rondela	Washer, Spr.	2	M20		
24	H252002000	Bağlantı Sacı, Sigorta	Sheet, Fuse Mounting	1			
25	N01/0222438	Civata	Bolt	1	M10x20		
26	N03/1310011	Yaylı Rondela	Washer, Spr.	1	M10		
27	N03/0020121	Pul	Washer, Pln.	1	M10		
28	N01/0222054	Civata	Bolt	1	M8x12		
29	N03/1310010	Yaylı Rondela	Washer, Spr.	1	M8		
30	N03/0020111	Pul	Washer, Pln.	1	M8		
31	N01/1661862	Civata, Sil. Baş.	Bolt, Cyl. Hd.	1	M5x16		
32	N03/0100011	Pul	Washer, Pln.	1	M5		

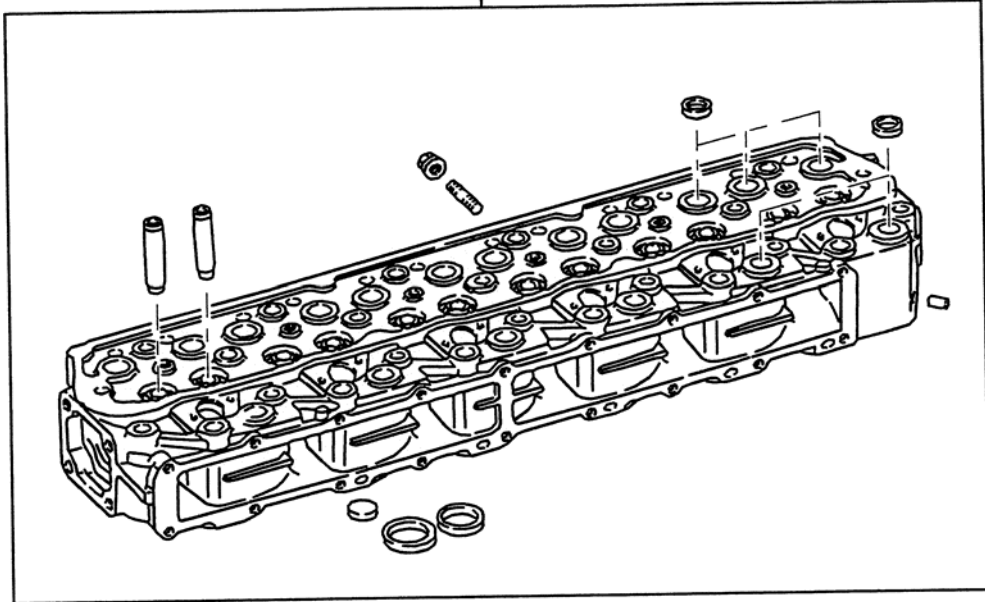
YARIM MOTOR (REVİZYON İÇİN) SHORT ENGINE ASSEMBLY

01010A



SİLİNDİR KAFASI KOMPLESİ
SERVICE CYLINDER HEAD ASSEMBLY

01200A

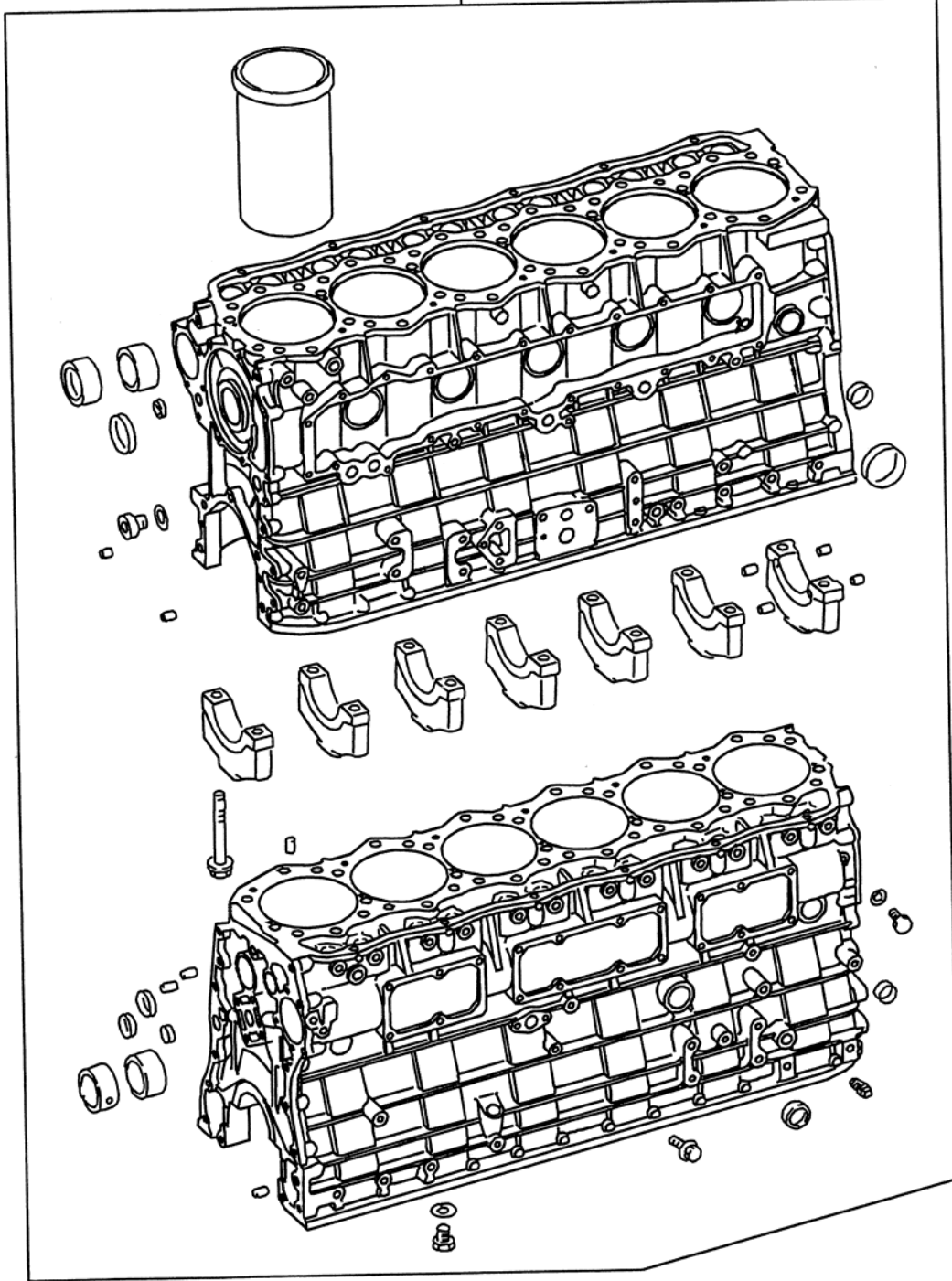


SİLİNDİR KAFASI KOMPLESİ
SERVICE CYLINDER HEAD ASSEMBLY

No	Parça No	Adı	Adet	Not	Seri No	Y. Kul. S.K.
No	Part No	Description	Q'ty	Note	Serial No	ICA S.C.
01200A	H259001002	Silindir Kafası Komp.	Head Ass'y, Cylinder	1		

SİLİNDİR BLOĞU KOMPLESİ
SERVICE CYLINDER BLOCK ASSEMBLY

01300A

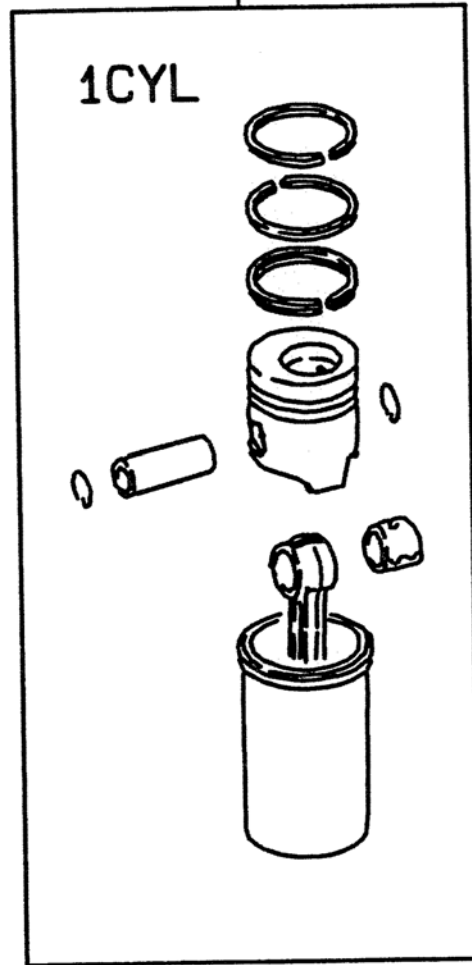


SİLİNDİR BLOĞU KOMPLESİ
SERVICE CYLINDER BLOCK ASSEMBLY

No	Parça No	Adı	Adet	Not	Seri No	Y. Kul. S.K.
No	Part No	Description	Q'ty	Note	Serial No	ICA S.C.
01300A	H259001003	Silindir Bloğu Komp.	Blok Ass'y, Cylinder	1		

GÖMLEK VE PİSTON KİTİ
LINER AND PISTON KIT

01340



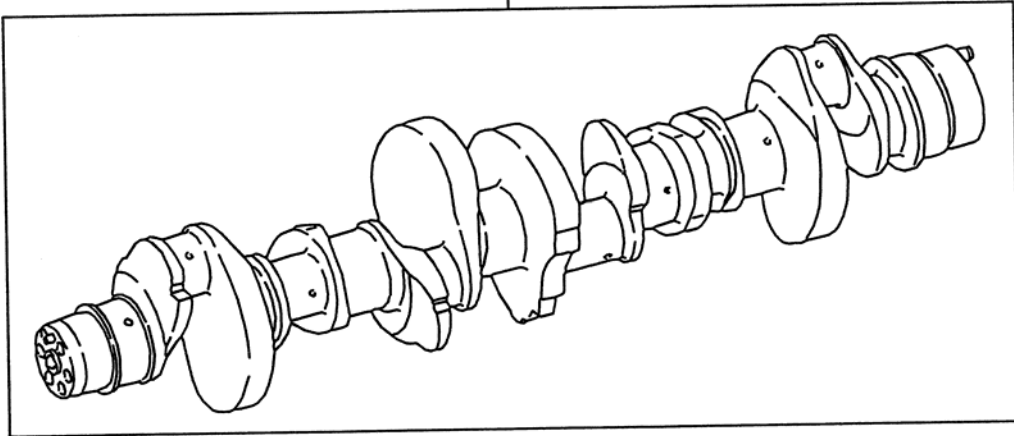
GÖMLEK VE PİSTON KİTİ
LINER AND PISTON KIT

No No	Parça No Part No	Adı Description	Adet Q'ty	Not Note	Seri No Serial No	Y. Kul. S.K. ICA S.C.
01340	H259001004	Gömlek ve Piston Kiti Sleeve and Piston KIT	6	SIZE 1 1CYL		
	H259001005	Gömlek ve Piston Kiti Sleeve and Piston KIT	6	SIZE 2 1CYL		
	H259001006	Gömlek ve Piston Kiti Sleeve and Piston KIT	6	SIZE 3 1CYL		

252006-00

KAM MİLİ KOMPLESİ
SERVICE CRANKSHAFT ASSEMBLY

03000A



**MOTOR TAMİR TAKIMI
ENGINE OVERHAUL GASKET KIT**

01070

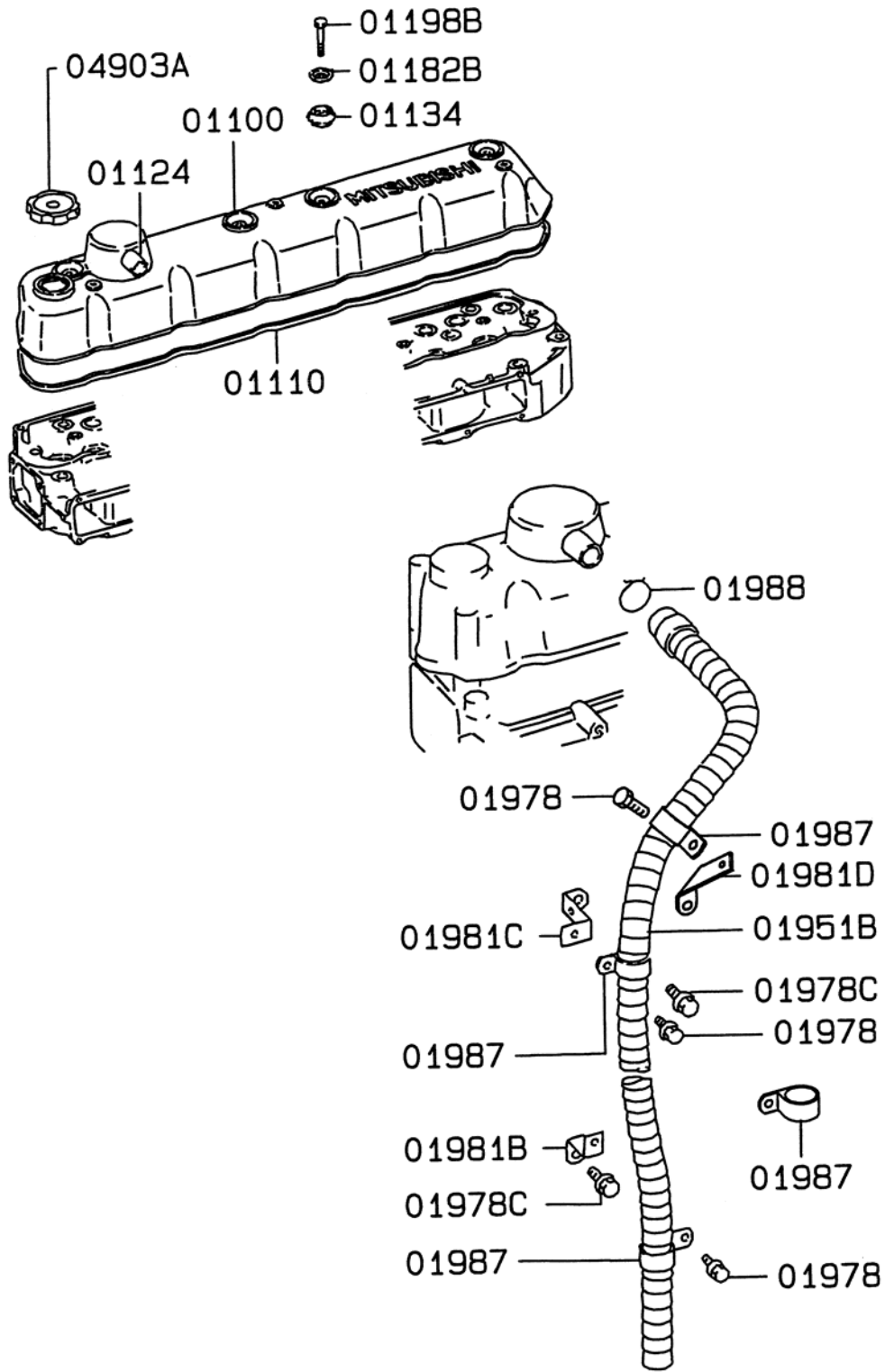
Motor tamir takımının parça numarası standart motor için kullanılan kitin numarasıdır. Eğer motor standart olandan farklı donanımlarla temin edilmişse, onun için farklı bir kit mevcuttur.

The part number of engine overhaul gasket kit is that of the kit used for the standard engine. Please note that if the engine is provided with equipment other than the standard one, there is a kit component shortage or overage.

MOTOR TAMİR TAKIMI
ENGINE OVERHAUL GASKET KIT

No	Parça No	Adı	Adet	Not	Seri No	Y. Kul. S.K.
No	Part No	Description	Q'ty	Note	Serial No	ICA S.C.
01070	H259001008	Tamir Takımı	Gasket Kit, Eng. Over.	1		

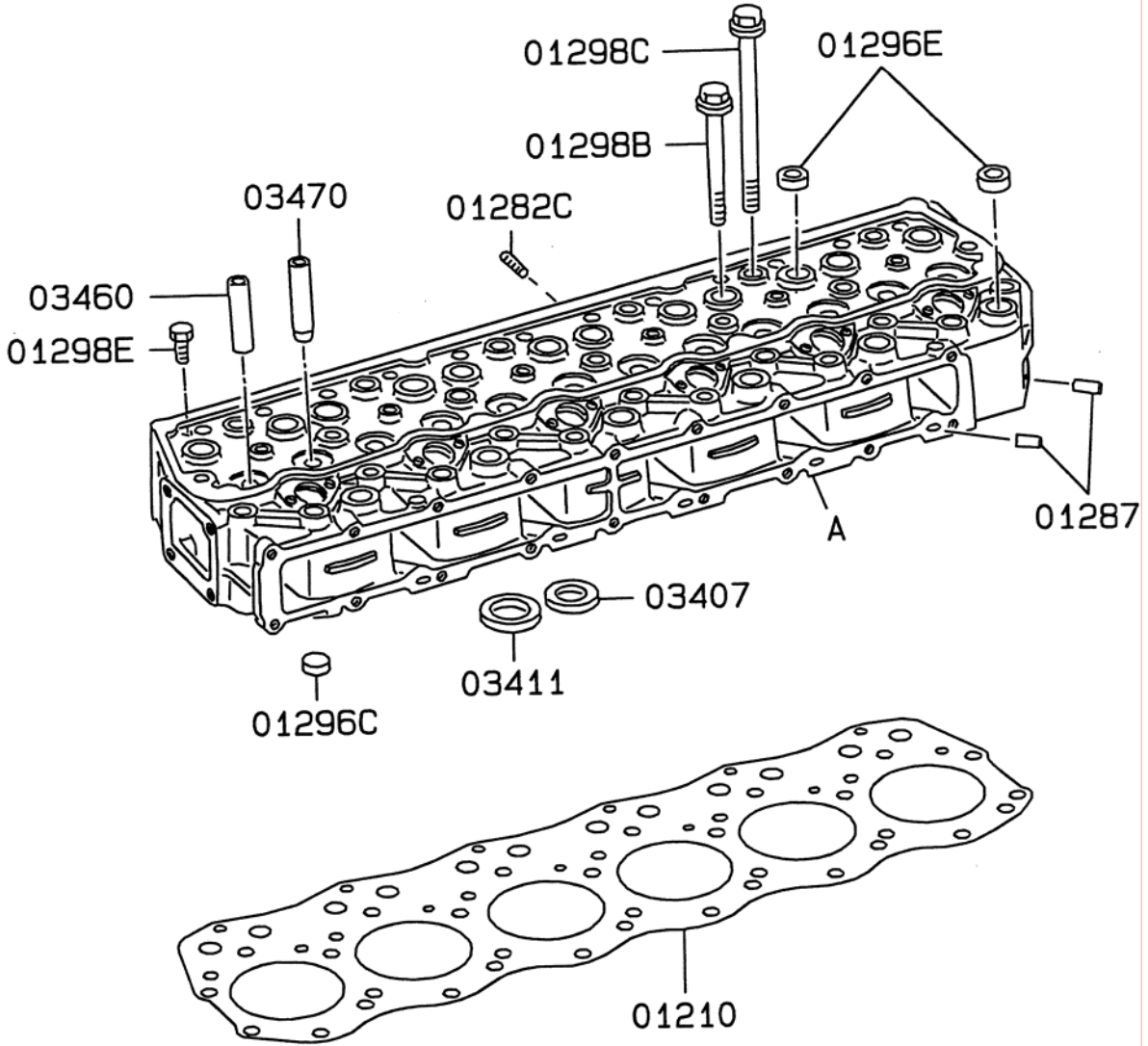
KÜLBÜTÖR KAPAĞI VE NEFESLİK ROCKER COVER AND BREATHER



KÜLBÜTÖR KAPAĞI VE NEFESLİK ROCKER COVER AND BREATHER

No No	Parça No Part No	Adı	Description	Adet Q'ty	Not Note	Seri No Serial No	Y. Kul. S.K. ICA S.C.
01100	H259001009	Kapak, Külbütör	Cover, Rocker	1			
01110	H259001010	Conta, Kapak	Gasket, Rock. Cover	1			
01124	H259001011	Hortum Bağ. Kapağı	Joint, Rck.-Brth. Hose	1			
01134	H349003009	Keçe, Kapak Cıvatası	Seal, Rock. Cov. Bolt	4	Lastik /Rubber		
01182B	H349003010	Rondela, Kapak	Washer, Rock. Cover	4	8,5		
01198B	H259001012	Cıvata, Külbütör Kap.	Bolt, Rocker Cover	4	8x50		
01951B	H252001800	Hortum, Nefeslik	Hose, Eng. Breather	1			
01978	H349003668	Cıvata, Eng. Nefeslik	Bolt, Eng. Breather	3	Flange/Flanş, 6x12		
01978C	H259001014	Cıvata, Eng. Nefeslik	Bolt, Eng. Breather	2	Flange/Flanş, 10x16		
01981B	H259001015	Hortum Askısı	Stay, Eng. Breather	1			
01981C	H259001016	Hortum Askısı	Stay, Eng. Breather	1			
01981D	H259001017	Hortum Askısı	Stay, Eng. Breather	1			
01987	H259001018	Kelepçe, Nefeslik	Clip, Eng. Breather	4			
01988	N07/4020032	Kelepçe, Nefeslik	Clamp, Eng. Breather	1			
04903A	H349003020	Kapak Komp., Yağ	Cap Ass'y, Oil Filler	1		AYNI, 6D34	

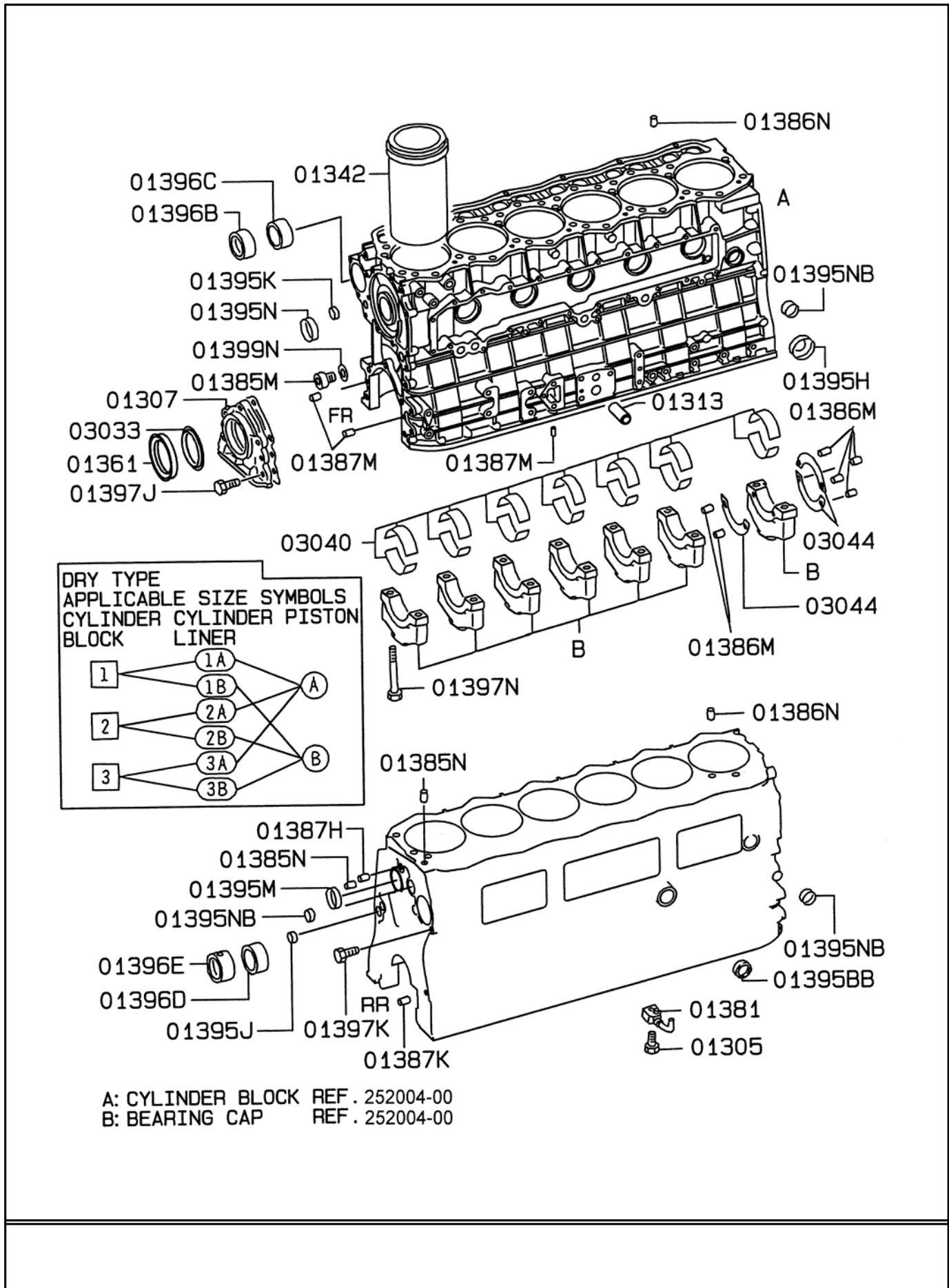
SİLİNDİR KAFASI CYLINDER HEAD



SİLİNDİR KAFASI
CYLINDER HEAD

No No	Parça No Part No	Adı	Description	Adet Q'ty	Not Note	Seri No Serial No	Y. Kul. S.K. ICA S.C.
01210	H259001019	Conta, Silindir Kafası	Gasket, Cylinder Hd.	1			
01282C	H349003023	Saplama, Silindir Kaf.	Stud, Cyl. Head	12	10x33		
01287	H259001020	Tapa, Silindir Kafası	Plug, Cylinder Hd.	6			
01296C	H349003025	Kapak, Silindir Kafası	Cap, Cylinder Hd.	5			
01296E	H349003027	Kapak, Silindir Kafası	Cap, Cylinder Hd.	18			
01298B	H259001021	Cıvata, Silindir Kafası	Bolt, Cyl. Hd.	20	14x129		
01298C	H259001022	Cıvata, Silindir Kafası	Bolt, Cyl. Hd.	6	14X191		
01298E	H259001023	Cıvata, Silindir Kafası	Bolt, Cyl. Hd.	6			
03407	H259001024	Yatak, Egzoz Subabı	Seat, Exhaust Valve	6			
03411	H259001025	Yatak, Emme Subabı	Seat, Inlet Valve	6			
03460	H349003032	Klavuz, Emme Subabı	Guide, Inlet Valve	6			
03470	H349003033	Klavuz, Egzos Subabı	Guide, Exhaust Valve	6			

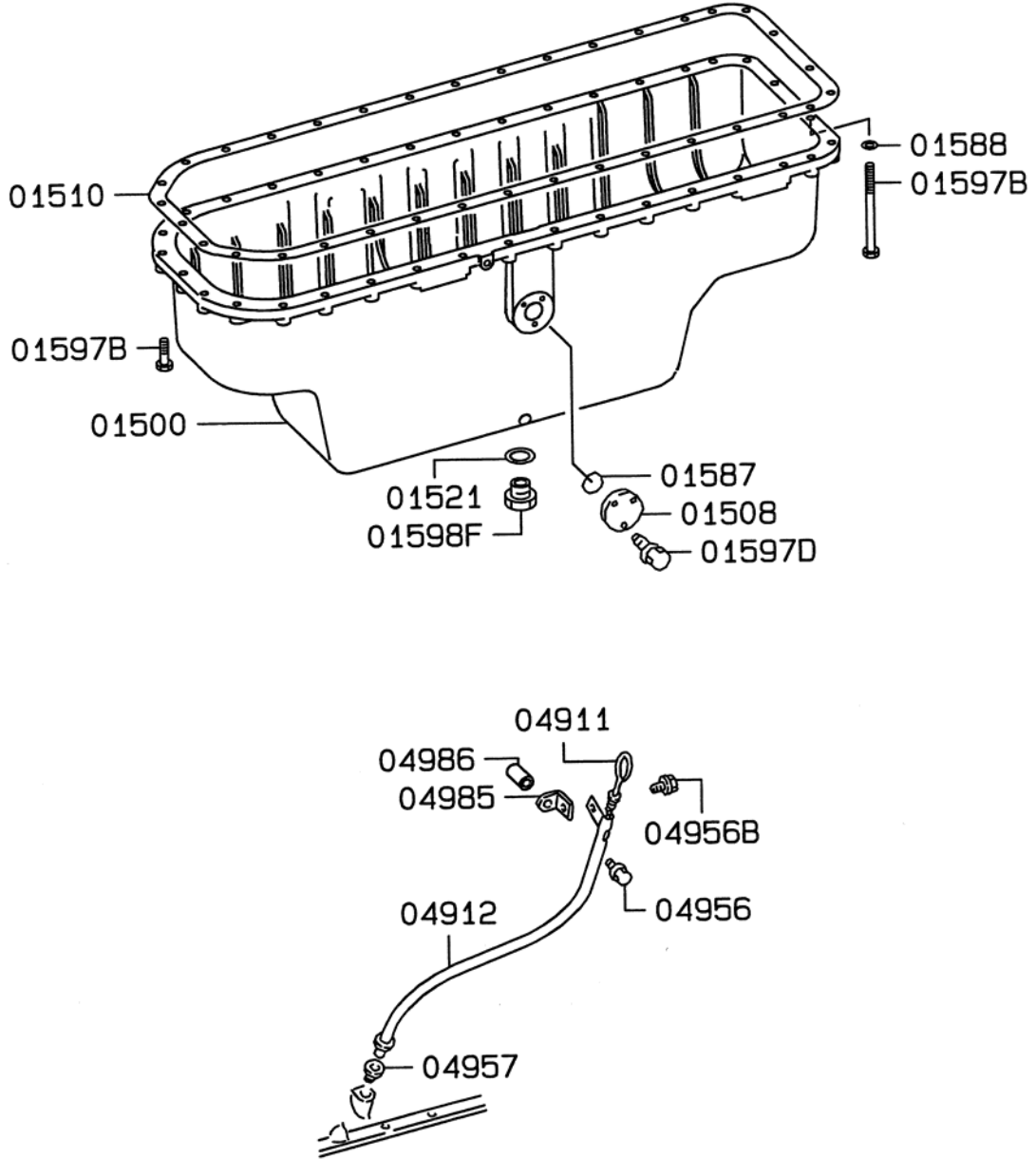
SİLİNDİR BLOĞU CYLINDER BLOCK



SİLİNDİR BLOĞU CYLINDER BLOCK

No No	Parça No Part No	Adı Description	Adet Q'ty	Not Note	Seri No Serial No	Y. Kul. S.K. ICA S.C.
01305	H259001026	Çek Valf, Piston Yağ.	Check V/V, Piston Lub	6		
01307	H259001027	Kapak, Silindir Blok	Cover, Cyl. Block	1		
01313	H259001028	Yönlendirici, Yağ	Director, Block Oil	1		
01342	H259001029	Gömlek, Silindir	Liner, Cylinder	6	A SIZE 1	
	H259001030	Gömlek, Silindir	Liner, Cylinder	6	A SIZE 2	
	H259001031	Gömlek, Silindir	Liner, Cylinder	6	A SIZE 3	
	H259001032	Gömlek, Silindir	Liner, Cylinder	6	A SIZE 4	
	H259001033	Gömlek, Silindir	Liner, Cylinder	6	A SIZE 5	
	H259001034	Gömlek, Silindir	Liner, Cylinder	6	A SIZE 6	
01361	H259001035	Yağ Keçesi, Ön Kapak	Oil Seal, FR Cover	1		
01381	H259001036	Yağ Nozulu, Sil. Blok	Oil Jet, Cyl. Block	6		
01385M	H349003167	Tapa, Silindir Blok	Plug, Cyl. Block	1		
01385N	H259001037	Tapa, Silindir Blok	Plug, Cyl. Block	3		
01386M	H349003039	Yay Pimi, Silindir Blok	Sprin Pin, Cyl. Block	6		
01386N	H259001038	Yay Pimi, Silindir Blok	Sprin Pin, Cyl. Block	6		
01387H	H349003041	Pim, Silindir Blok	Pin, Cyl. Block	1		
01387K	H259001039	Pim, Silindir Blok	Pin, Cyl. Block	1		
01387M	H259001040	Pim, Silindir Blok	Pin, Cyl. Block	4		
01395BB	H259001041	Kapak, Silindir Blok	Cap, Cyl. Block	1		
01395H	H259001042	Kapak, Silindir Blok	Cap, Cyl. Block	5		
01395J	H349003039	Kapak, Silindir Blok	Cap, Cyl. Block	1		
01395K	H259001043	Kapak, Silindir Blok	Cap, Cyl. Block	1		
01395M	H259001044	Kapak, Silindir Blok	Cap, Cyl. Block	1		
01395N	H259001045	Kapak, Silindir Blok	Cap, Cyl. Block	1		
01395NB	H259001046	Kapak, Silindir Blok	Cap, Cyl. Block	9		
01396B	H259001047	Burç, Silindir Blok	Bushing, Cyl. Block	1		
01396C	H259001048	Burç, Silindir Blok	Bushing, Cyl. Block	1		
01396D	H259001049	Burç, Silindir Blok	Bushing, Cyl. Block	1		
01396E	H259001050	Burç, Silindir Blok	Bushing, Cyl. Block	1		
01397J	H259001051	Cıvata, Silindir Blok	Bolt, Cylinder Block	5		
01397K	H349003171	Cıvata, Silindir Blok	Bolt, Cylinder Block	5		
01397N	H259001052	Cıvata, Silindir Blok	Bolt, Cylinder Block	14		
01399N	H349003169	Conta, Silindir Blok	Gasket, Cyl. Block	1		
03033	H259001053	Boğ. Keçesi, Krank M.	Oil Slinger, Crnks. RR	1		
03040	H259001054	Yatak Takımı, Krnk. M.	Bearing Set, Crnks.	1	STANDARD	
	H259001055	Yatak Takımı, Krnk. M.	Bearing Set, Crnks.	1	U/SIZE 0.25	
	H259001056	Yatak Takımı, Krnk. M.	Bearing Set, Crnks.	1	U/SIZE 0.50	
	H259001057	Yatak Takımı, Krnk. M.	Bearing Set, Crnks.	1	U/SIZE 0.75	
	H259001058	Yatak Takımı, Krnk. M.	Bearing Set, Crnks.	1	U/SIZE 1.00	
03044	H259001059	Gezinti Yatağı, Krnk.	Plate, Crnks. Thrust	3	STANDARD	
	H259001060	Gezinti Yatağı, Krnk.	Plate, Crnks. Thrust	3	U/SIZE 0.15	
	H259001061	Gezinti Yatağı, Krnk.	Plate, Crnks. Thrust	3	U/SIZE 0.30	
	H259001062	Gezinti Yatağı, Krnk.	Plate, Crnks. Thrust	3	U/SIZE 0.45	

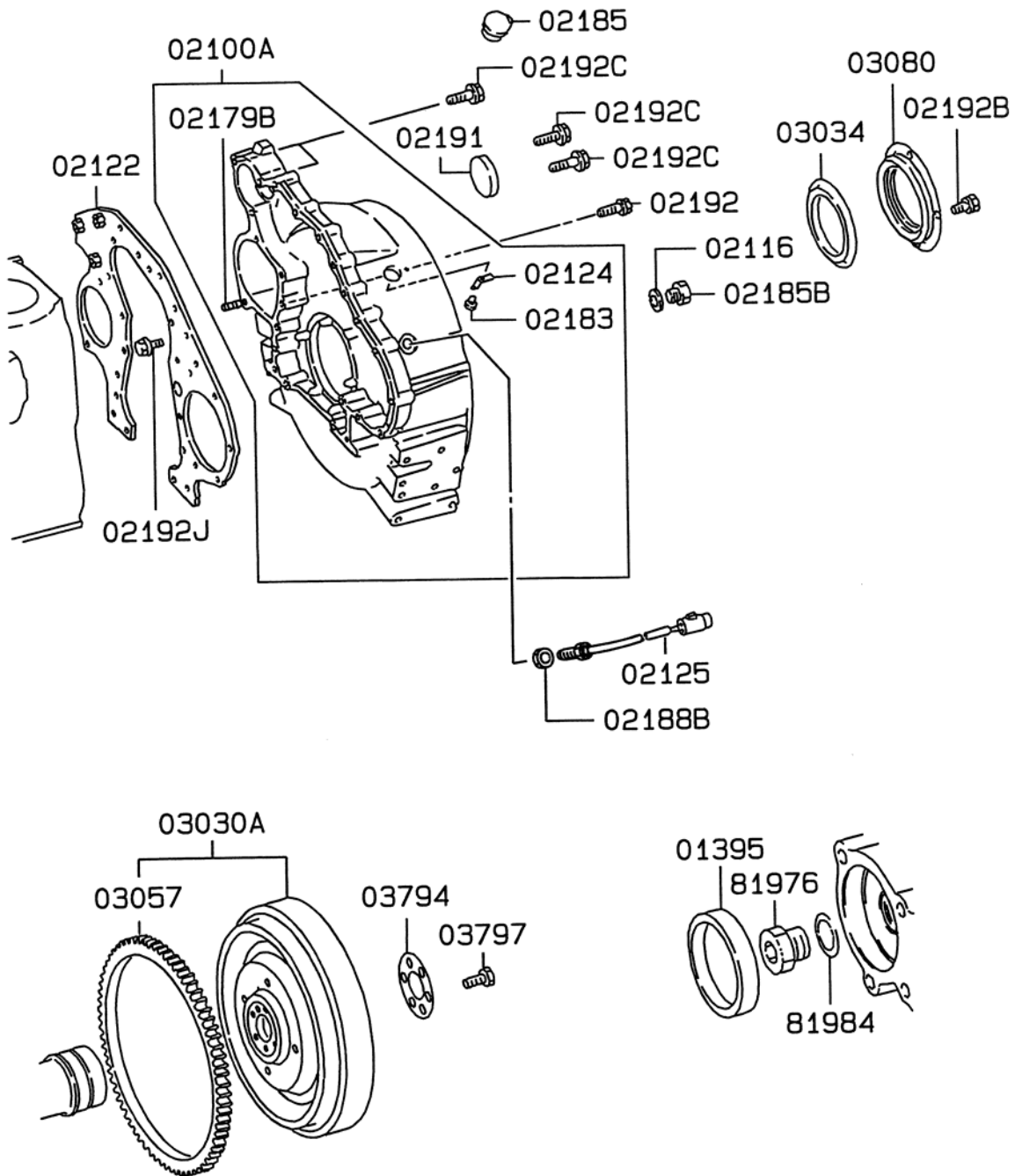
KARTER - DOLDURMA KAPAĞI - YAĞ SEVİYE ÇUBUĞU
OIL PAN - FILLER - GAUGE



KARTER - DOLDURMA KAPAĞI - YAĞ SEVİYE ÇUBUĞU
OIL PAN - FILLER - GAUGE

No No	Parça No Part No	Adı	Description	Adet Q'ty	Not Note	Seri No Serial No	Y. Kul. S.K. ICA S.C.
01500	H259001063	Karter	Oil Pan, Eng.	1			
01508	H259001065	Kapak, Karter	Cover, Eng. Oil Pan	1			
01510	H259001066	Conta, Karter	Gasket, Eng. Oil Pan	1			
01521	H259001067	Conta, Yağ Boşaltma	Gasket, Drain Plug	1			
01587	H259001068	O-Ring, Karter	O-Ring, Eng. Oil Pan	1			
01588	H349003189	Pul, Karter	Washer, Eng. Oil Pan	2	8		
01597B	H259001069	Cıvata, Karter	Bolt, Eng. Oil Pan	2	8x130		
	H259001070	Cıvata, Karter	Bolt, Eng. Oil Pan	33	8x35		
1597D	H259001071	Cıvata, Karter	Bolt, Eng Oil Pan	3	6x10		
1598F	H259001072	Tapak, Karter	Plug, Engine Oil Pan	1			
04911	H259001073	Yağ Seviye Çubuğu	Gauge, Eng Oil Level	1			
04912	H259001074	Klavuz, Yağ Seviye Ç.	Guide, Oil Level Gauge	1			
04956	H259001075	Cıvata	Bolt, Eng Oil Filler	1	8x45		
04956B	H349003668	Cıvata	Bolt, Eng Oil Filler	1	6x12		
04957	H349003077	Burç, Yağ Doldurma	Bushing, Eng. Oil Fill.	1			
04985	H259001076	Askı, Yağ Doldurma	Stay, Eng. Oil Filler	1			
04986	H259001077	Mesafe Burcu, Yağ Dol. Soacer,	Eng. Oil Filler				

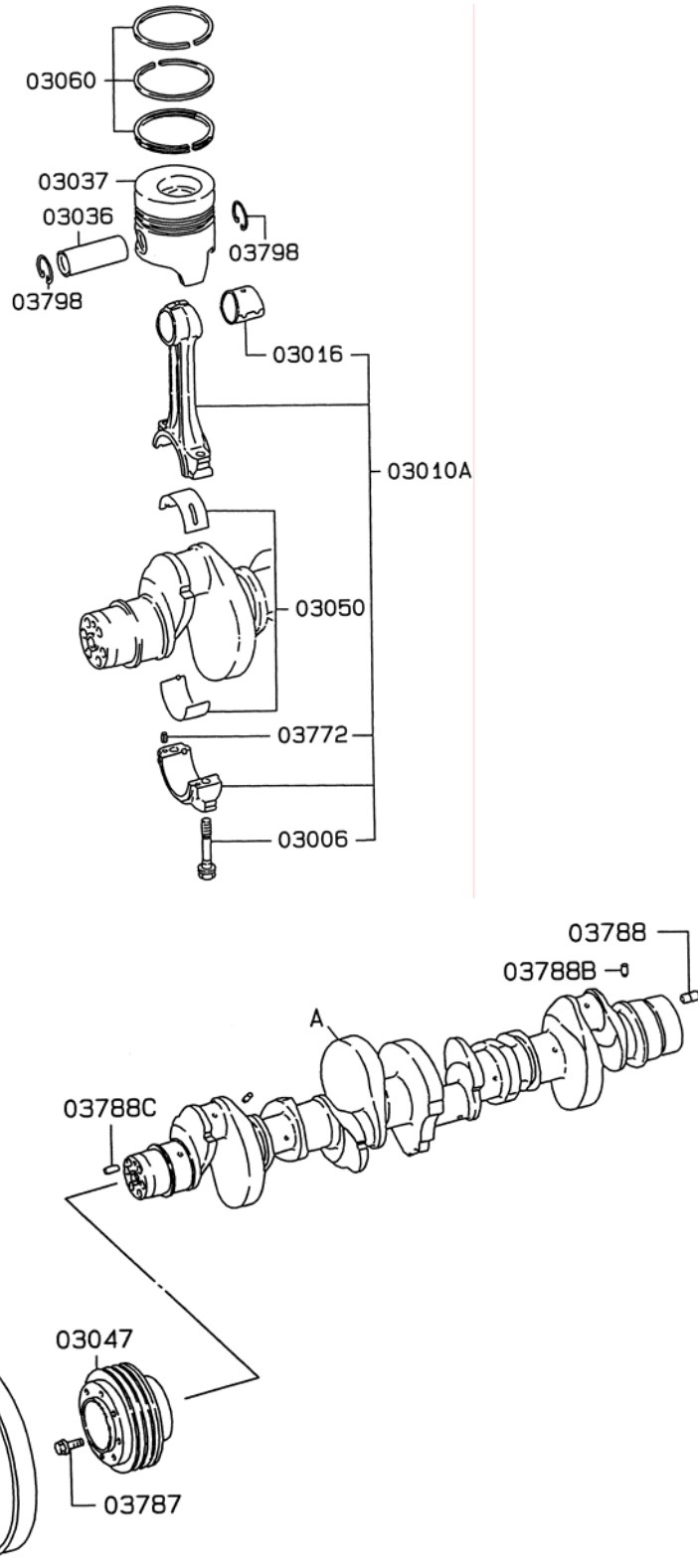
VOLAN VE MUHAFAZASI FLYWHEEL AND HOUSING



VOLAN VE MUHAFAZASI
FLYWHEEL AND HOUSING

No No	Parça No Part No	Adı	Description	Adet Q'ty	Not Note	Seri No Serial No	Y. Kul. S.K. ICA S.C.
01395	H259001078	Silindir Blok Kepi	Cap, Cylinder Block	1			
02100A	H259001079	Muhafaza Komp. Vol.	Housing Ass'y, Flyw.	1			
02116	H259001080	Conta	Gasket, Flywheel H.	1			
02122	H259001081	Sac, Sil. Bloğu Arka	Plate, Cyl. Block RR	1			
02124	H349003079	Gösterge, Subap Ayarı	Pointer, Eng. Timing	1			
02125	H348012800	Sensör, Hız	Sensor, Eng Speed	1			
02179B	H259001082	Saplama, Muhafaza	Stud, Flywheel Hous.	1	12x45		
	H259001083	Saplama, Muhafaza	Stud, Flywheel Hous.	1	12x50		
02183	H259001084	Vida, Muhafaza	Screw, Flyw. Housing	1	5x10		
02185	H349003082	Tapa, Volan Muh.	Plug, Flyw. Housing	1			
02185B	H259001085	Tapa, Volan Muh.	Plug, Flyw. Housing	1			
02188B	H259001086	Somun, Volan Muh.	Nut, Flyw. Housind	1			
02191	H259001087	Volan Muh. Kepi	Cap, Flyw. Housing	1			
02192	H259001088	Cıvata, Volan Muh.	Bolt, Flyw. Housing	8	10x70		
02192B	H259001089	Cıvata, Volan Muh.	Bolt, Flyw. Housing	5	8x16		
02192C	H259001090	Cıvata, Volan Muh.	Bolt, Flyw. Housing	2	10x50		
	H259001091	Cıvata, Volan Muh.	Bolt, Flyw. Housing	3	10x55		
	H349003633	Cıvata, Volan Muh.	Bolt, Flyw. Housing	2	10x65		
03030A	H259001092	Volan Komp.	Flywheel Housing	1			
03034	H259001093	Boğaz Keçesi, Krank M.	Oil Slinger, Cranks RR	1			
03057	H349003087	Volan Dişlisi	Ring Gear, Flywheel	1			
03080	H259001094	Yağ Keçesi, Krnk. M.	Oil Seal, Crnks., RR	1			
03797	H259001095	Cıvata, Volan	Bolt, Flywheel	6	16x60		
81976	H349003167	Tapa, Takometre	Plug, Tachometer Drive	1			
81984	H259001080	Conta, Takometre	Gasket Tacho. Gear	1			

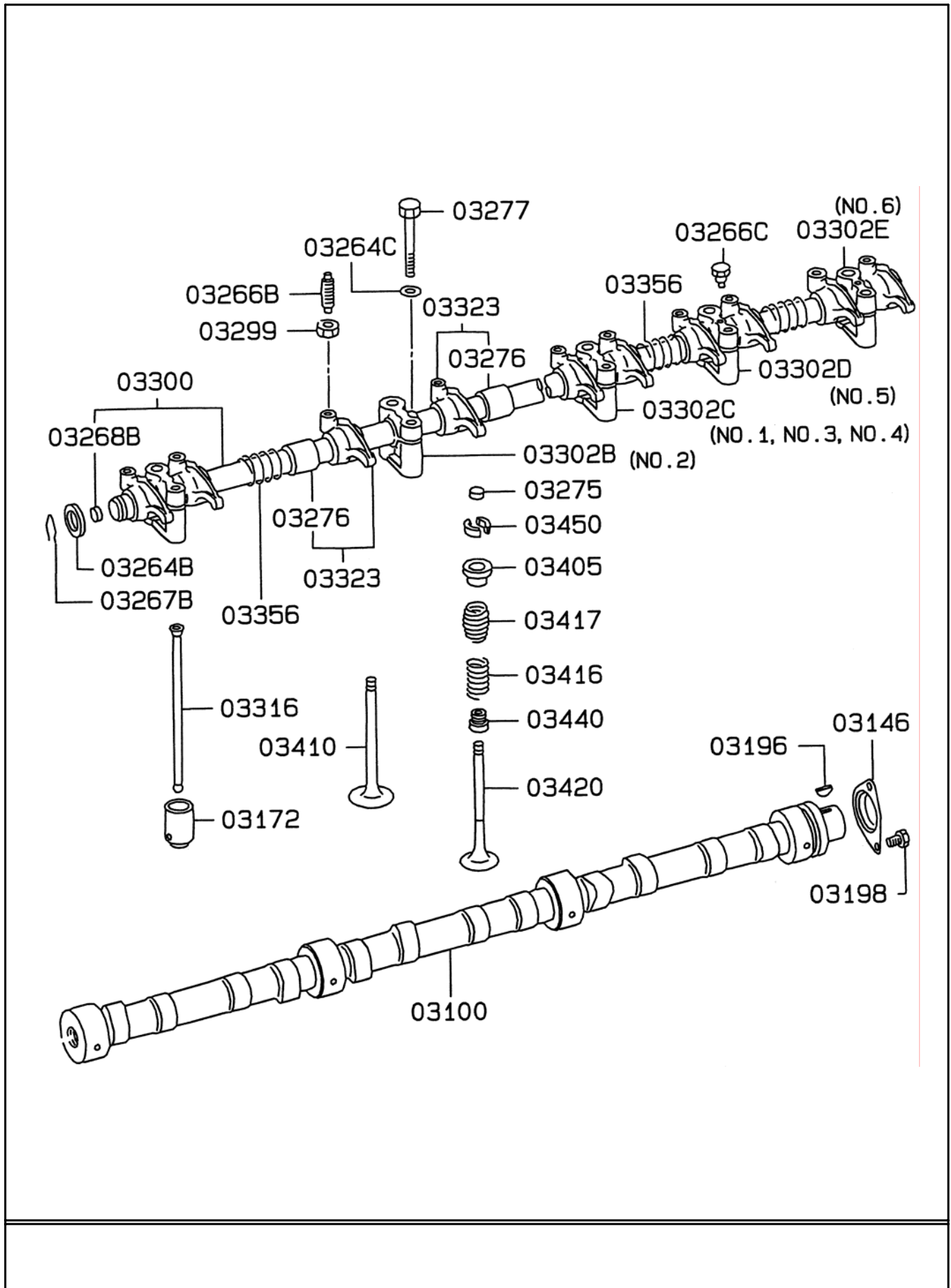
PİSTON - BİYEL KOLU - KRANK MİLİ PISTON - CONNROD - CRANKSHAFT



PİSTON - BİYEL KOLU - KRANK MİLİ
PİSTON - CONNROD - CRANKSHAFT

No No	Parça No Part No	Adı	Description	Adet Q'ty	Not Note	Seri No Serial No	Y. Kul. S.K. ICA S.C.
03006	H259001097	Cıvata, Biyel Kolu	Bolt, Connrod	12	5x68		
03010A	H259001098	Biyel Kolu Komp.	Connecting Rod Ass'y	6			
	H259001099	Biyel Kolu Komp.	Connecting Rod Ass'y	6	Weight A 1 Cyl		
	H259001100	Biyel Kolu Komp.	Connecting Rod Ass'y	6	Weight B 1 Cyl		
	H259001101	Biyel Kolu Komp.	Connecting Rod Ass'y	6	Weight C 1 Cyl		
	H259001102	Biyel Kolu Komp.	Connecting Rod Ass'y	6	Weight D 1 Cyl		
	H259001103	Biyel Kolu Komp.	Connecting Rod Ass'y	6	Weight E 1 Cyl		
03016	H259001104	Burç, Biyel Kolu	Bushing, Connrod	6			
03022	H259001105	Damper, Krk. Mil. Darbe	Damper, Crks. Torsional	1			
03036	H259001106	Pim, Piston	Pin, Piston	6			
03037	H259001107	Piston	Piston	6	A Size		
	H259001108	Piston	Piston	6	B Size		
03047	H259001109	Kasnak, Krank Mili	Pulley, Crankshaft	1			
03050	H259001110	Yatak Takımı, Connr.	Bearing Set, Connrod	1	std		
	H259001111	Yatak Takımı, Connr.	Bearing Set, Connrod	1	U/Size 0.50		
	H259001112	Yatak Takımı, Connr.	Bearing Set, Connrod	1	U/Size 0.75		
	H259001113	Yatak Takımı, Connr.	Bearing Set, Connrod	1	U/Size 1.00		
	H259001114	Yatak Takımı, Connr.	Bearing Set, Connrod	1	U/Size 0.25		
03060	H259001115	Piston Tamir Takımı	Ring Set, Piston	1			
03772	H349003112	Pim, Biyel Kolu	Pin, Connrod	12			
03775	H259001116	Cıvata, Damper	Bolt, Torsional Damper	8	10x25		
03787	H259001117	Cıvata, Krank Kas.	Bolt, Cranks. Pulley	6	14x33		
03788	H349003115	Pim, Krank Mili	Pin, Crankshaft	1	14x28		
03788B	H259001118	Pim, Krank Mili	Pin, Crankshaft	1			
03788C	H259001040	Pim, Krank Mili	Pin, Crankshaft	1			
03798	H259001120	Segman, Piston	Snap Ring, Piston	12			

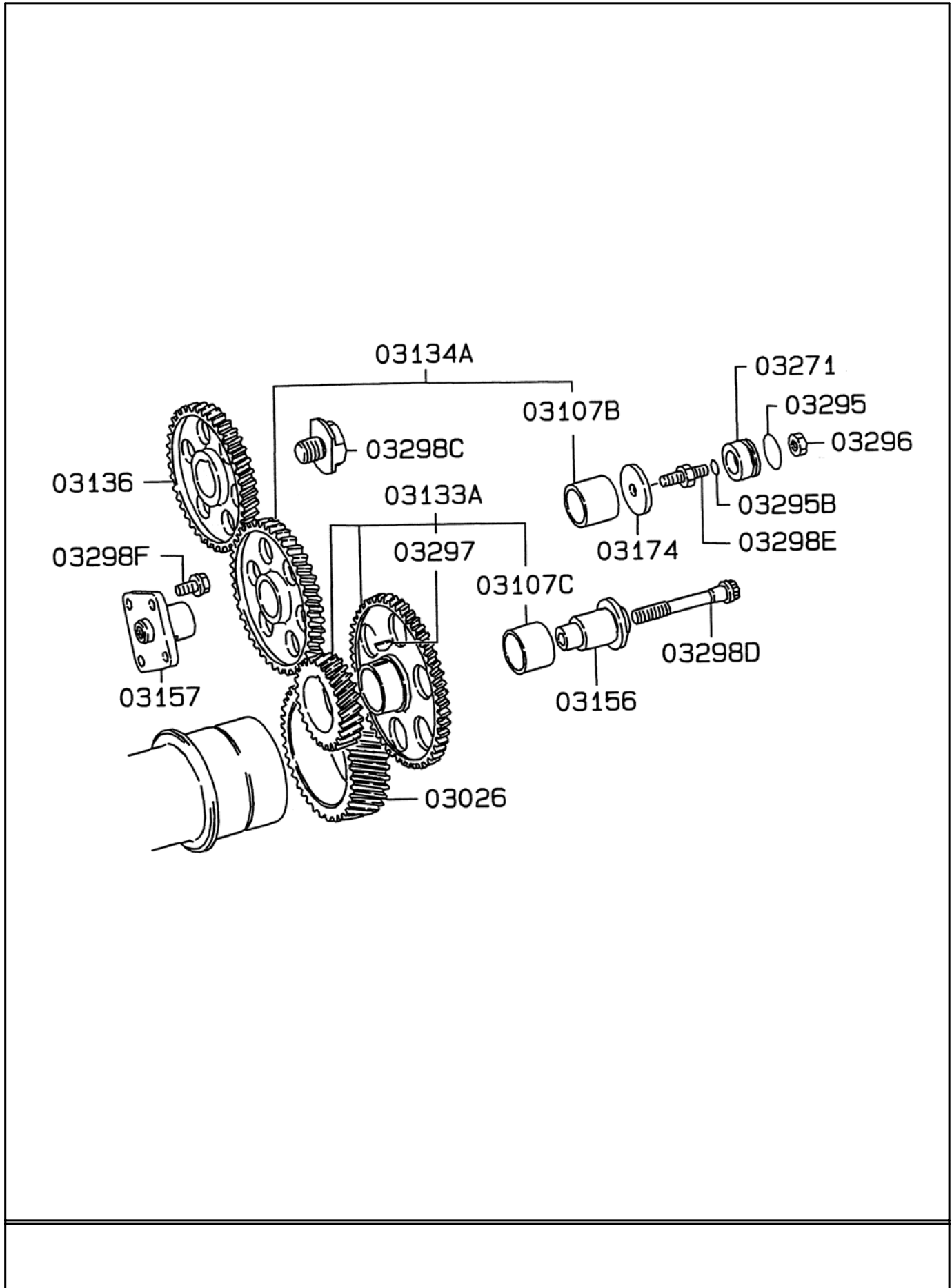
KAM MILİ - SUPAP CAMSHAFT - VALVE



KAM MİLİ - SUPAP CAMSHAFT - VALVE

No No	Parça No Part No	Adı	Description	Adet Q'ty	Not Note	Seri No Serial No	Y. Kul. S.K. ICA S.C.
03100	H259001121	Kam Mili	Camshaft	1			
03146	H259001122	Bağ. Sacı, Kam M. Yat.	Plate, Camshaft Thrust	1			
03172	H259001123	Supap İtici	Tappet, Valve	12			
03196	H259001124	Anahtar, Kam Mili	Key, Camshaft	1			
03198	H349003053	Cıvata, Kam Mili	Bolt, Camshaft	2	8x16		
03264B	H259001125	Pul, Supap Diş. Takımı	Washer, V/V Gear Train	2	25		
03264C	H259001126	Pul, Supap Diş. Takımı	Washer, V/V Gear Train	6	10,5		
03266B	H259001127	Supap Ayar Cıvatası	Scrw, V/V Gear Train	12	10x43		
03266C	H259001128	Supap Ayar Cıvatası	Scrw, V/V Gear Train	1	6x11		
03267B	H259001129	Segman	Snap Ring, V/V Gr. Train	2			
03268B	H259001130	Tapa	Plug, V/V Gear Train	2			
03275	H349003127	Supap Kepi	Cap, V/V Gear Train	12			
03276	H259001131	Burç	Bushing, V/V Gr. Tr.	12			
03277	H259001132	Cıvata	Bolt, V/V Gear Train	6	10x75		
03299	H349003729	Supap Ayar Somunu	Nut, V/V Gear Train	12	10		
03300	H259001133	Şaft, Külbütör Levyesi	Shaft, Rocker Arm	1			
03302B	H259001134	Braket, Külbütör Şaftı	Bracket, Rocker Shaft	1			
03302C	H259001135	Braket, Külbütör Şaftı	Bracket, Rocker Shaft	3			
03302D	H259001136	Braket, Külbütör Şaftı	Bracket, Rocker Shaft	1			
03302E	H259001137	Braket, Külbütör Şaftı	Bracket, Rocker Shaft	1			
03316	H259001138	İtici Rod, Kül. Levyesi	Push Rod, Rocker Arm	12			
03323	H259001139	Külbütör Levyesi	Rocker Arm	12			
03356	H259001140	Yay, Külbütör Şaftı	Spring, Rocker Shaft	6			
03405	H349003139	Supap Yay Tablası	Retainer, V/V Spring	12			
03410	H259001141	Emme Supabı	Valve, Inlet	6			
03416	H259001142	Supap Yay, İç	Spring, V/V, INR	12			
03417	H259001143	Supap Yay, Dış	Spring, V/V, OTR	12			
03420	H259001144	Egzos Supabı	Valve, Exhaust	6			
03440	H349003144	Supap Lastiği	Seal, Valve Stem	12			
03450	H349003145	Sup. Yay Tabla Kilidi	Lock, V/V Spring Ret.	24			

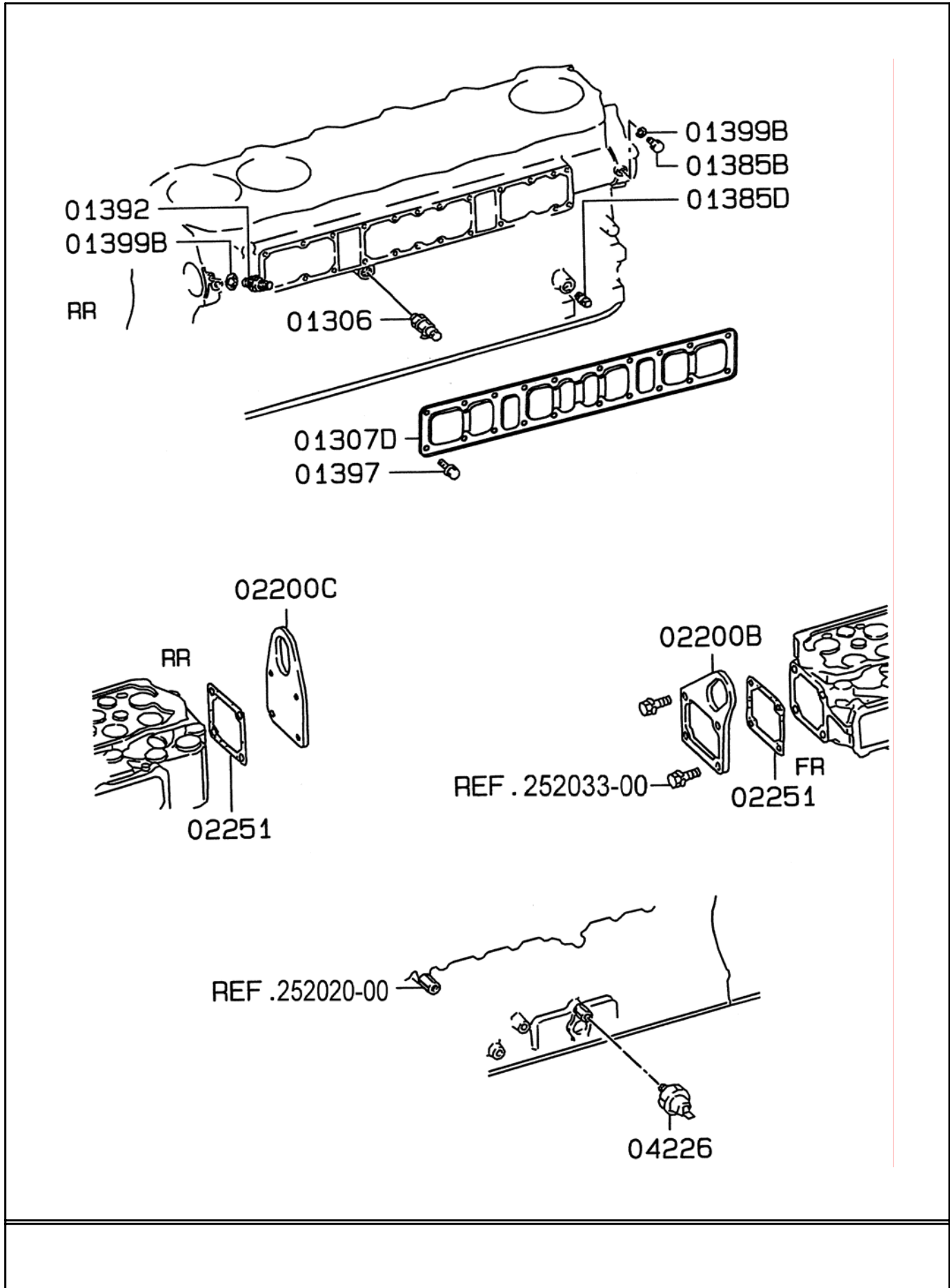
ZAMANLAMA DİŞLİSİ TIMING GEAR



ZAMANLAMA DIŞLİSİ TIMING GEAR

No No	Parça No Part No	Adı	Description	Adet Q'ty	Not Note	Seri No Serial No	Y. Kul. S.K. ICA S.C.
03026	H259001145	Dişli, Krank Mili	Gear, Crankshaft	1			
03107B	H259001146	Burç, Zmn. Güç Akt.	Bush., Tim. Pow. Tr.	1			
03107C	H259001147	Burç, Zmn. Güç Akt.	Bush., Tim. Pow. Tr.	1			
03133A	H259001148	Dişli Komp. , Avara Diş.	Gear Ass'y, Cam Idler	1	Birinci / 1ST		
03134A	H259001149	Dişli Komp. , Avara Diş.	Gear Ass'y, Cam Idler	1	İkinci / 2ND		
03136	H259001150	Dişli, Kam Mili	Gear, Camshaft	1			
03156	H259001151	Şaft, Avara Dişli	Shaft, Cam Idler Gear	1	Birinci / 1ST		
03157	H259001152	Şaft, Avara Dişli	Shaft, Cam Idler Gear	1	İkinci / 2ND		
03174	H259001153	Boşluk Pulu, Zmn. Diş.	Thrust Washer, T. G.	1			
03271	H259001154	Bilezik, Zmn. Dişlisi	Collar, Timing Gear T.	1			
03295	H259001155	O-Ring, Zmn. Dişlileri	O-Ring, Tim. G. Train	1			
03295B	H259001156	O-Ring, Zmn. Dişlileri	O-Ring, Tim. G. Train	1			
03296	H259001157	Somun, Zmn. Dişlileri	Nut, Tim. G. Train	1			
03297	H259001124	Anahtar, Zmn. Dişlileri	Key, Tim. G. Train	1			
03298C	H259001159	Cıvata, Zmn. Dişlileri	Bolt, Tim. G. Train	1	20x22		
03298D	H259001160	Cıvata, Zmn. Dişlileri	Bolt, Tim. G. Train	1	12x85		
03298E	H259001161	Cıvata, Zmn. Dişlileri	Bolt, Tim. G. Train	1	12x24		
03298F	H259001162	Cıvata, Zmn. Dişlileri	Bolt, Tim. G. Train	4	10x16		

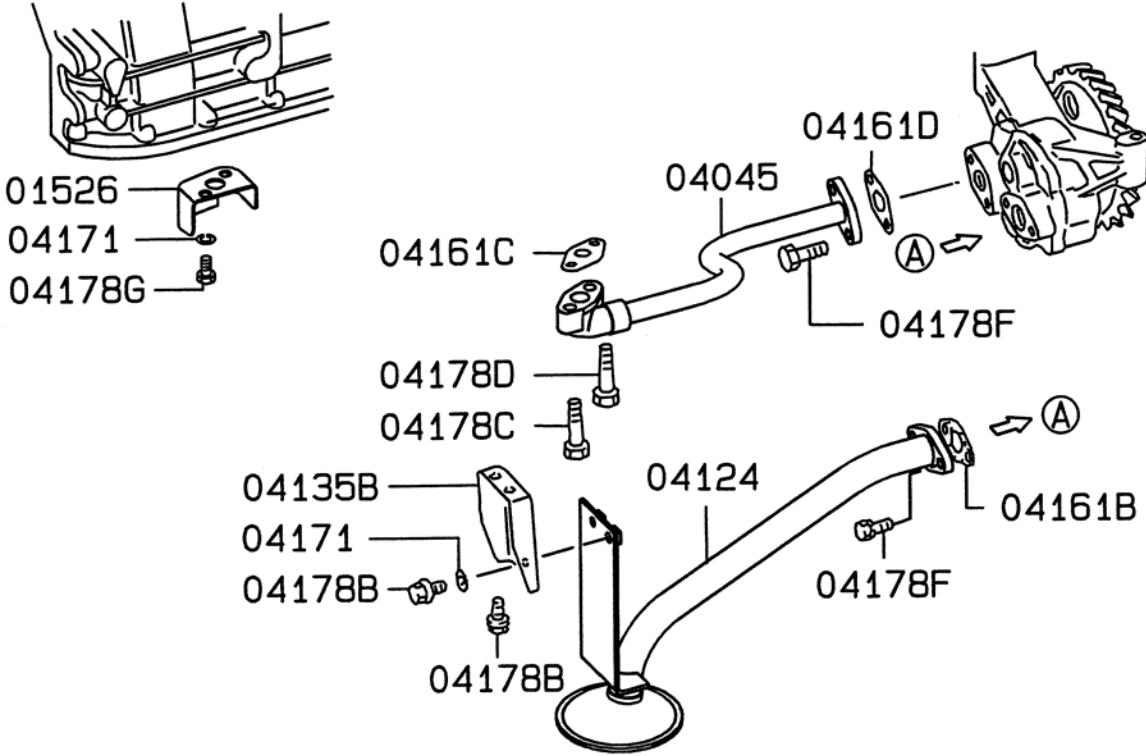
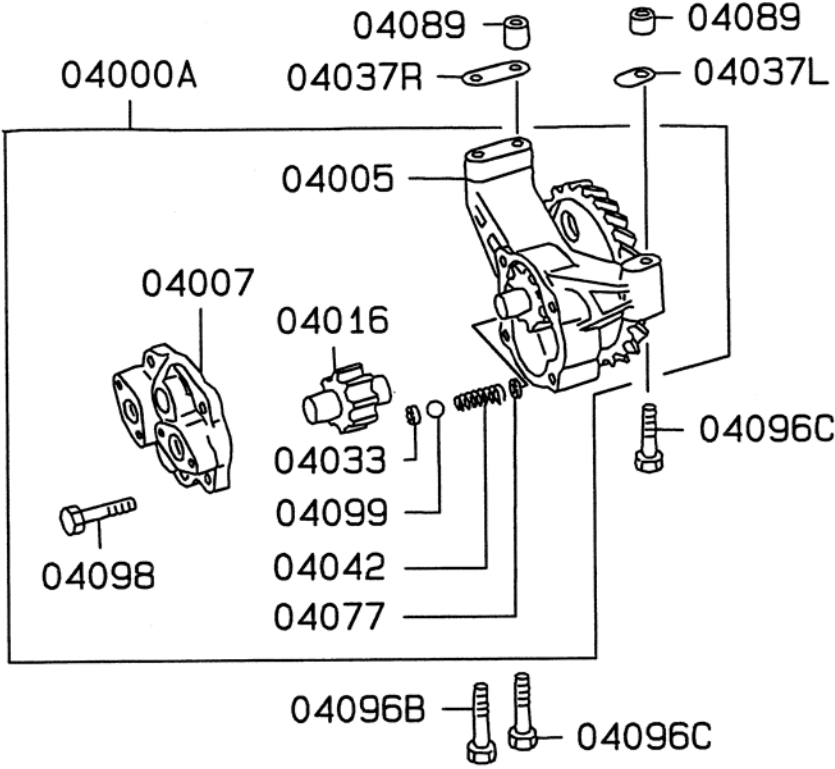
AKSESUARLAR ATTACHING PARTS



AKSESUARLAR
ATTACHING PARTS

No No	Parça No Part No	Adı	Description	Adet Q'ty	Not Note	Seri No Serial No	Y. Kul. S.K. ICA S.C.
01306	H259001163	Musluk, Su Boşaltma	Cock,Cyl.B. Water Drain	1			
01307D	H259001164	Kapak, Silindir Blok	Cover, Cyl. Block	1			
01385B	H349003204	Silindir Blok Tapası	Plug, Cyl. Block	1			
01385D	H259001165	Silindir Blok Tapası	Plug, Cyl. Block	1			
01392	H259001166	Konnektör, Sil. Blok	Joint, Cyl. Block	1			
01397	H259001167	Cıvata, Sil. Blok	Bolt, Cyl. Block	20			
01399B	H349003215	Silindir Blok Contası	Gasket, Cyl. Block	2			
02200B	H259001168	Kulak	Engine Hanger	1			
02200C	H259001169	Kulak	Engine Hanger	1			
02251	H259001170	Conta, Kulak	Gasket, Engine Hanger	2			
04226	H348012600	Yağ Basınç Svici	Switch, Eng. Oil Press.	1			

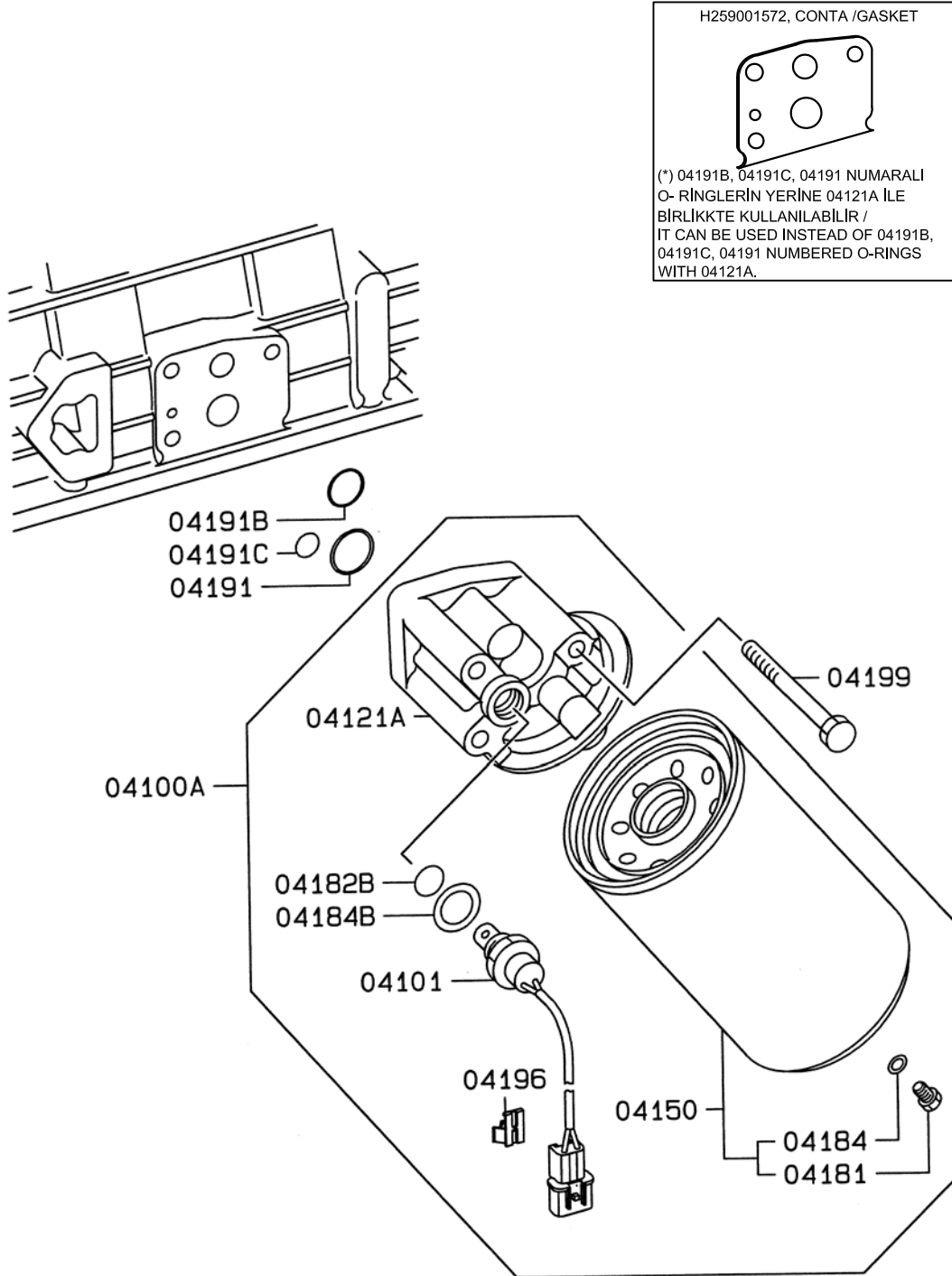
YAĞ POMPASI VE YAĞ SÜZGEÇİ
OIL PUMP AND STRAINER



YAĞ POMPASI VE YAĞ SÜZGEÇİ OIL PUMP AND STRAINER

No No	Parça No Part No	Adı	Description	Adet Q'ty	Not Note	Seri No Serial No	Y. Kul. S.K. ICA S.C.
01526	H259001171	Yağ Dönüş Levhası	Deflector, Return Flow	1			
04000A	H259001172	Yağ Pompası Komp.	Oil Pump Ass'y, Eng.	1			
04005	H259001173	Dişli ve Gövde KİTİ	Gear and Case KIT	1			
04007	H259001174	Kapak, Yağ Pomp.	Cover, Eng Oil Pump	1			
04016	H259001175	Dişli, Pompa	Gear, Oil Pump Driven	1			
04033	H259001176	Yay Tutucu	Seat, Relief Valve	1			
04037L	H259001177	Şim, Pompa, Sol	Shim, Oil Pump LH	AR	T=0.1		
	H259001178	Şim, Pompa, Sol	Shim, Oil Pump LH	AR	T=0.2		
04037R	H259001179	Şim, Pompa, Sağ	Shim, Oil Pump RH	AR	T=0.1		
	H259001180	Şim, Pompa, Sağ	Shim, Oil Pump RH	AR	T=0.2		
04042	H259001181	Yay	Spring, Relief Valve	1			
04045	H259001182	Tüp, Pompa Çıkış	Tube, Pump Outlet	1			
04077	H259001183	Pul, Pompa, İç	Washer, Pump INR	1			
04089	H259001184	Pim, Yağ Pompası	Pin, Oil Pump	2			
04096B	H259001090	Cıvata, Yağ Pompası	Bolt, Eng. Oil Pump	1	10x50		
04096C	H349003633	Cıvata, Yağ Pompası	Bolt, Eng. Oil Pump	2	10x65		
04098	H259001090	Cıvata, Yağ Pomp. İç	Bolt, Eng. O. Pump INR	2	10x50		
04099	H259001187	Bilya, Pompa, İç	Ball, Oil Pump INR	1			
04124	H259001188	Yağ Süzgeci, Karter	Strainer, Oil Pan	1			
04135B	H259001189	Tutucu Sac, Süzgeç	Stay, Oil Strainer	1			
04161B	H259001190	Conta, Yağ Süzgeci	Gasket, Oil Strainer	1			
04161C	H259001191	Conta, Yağ Süzgeci	Gasket, Oil Strainer	1			
04161D	H259001192	Conta, Yağ Süzgeci	Gasket, Oil Strainer	1			
04171	H259001193	Pul, Yağ Süzgeci	Washer, Pln, Strainer	2	9		
	H349003503	Pul, Yağ Süzgeci	Washer, Pln, Strainer	2	8		
04178B	H349003053	Cıvata, Süzgeç	Bolt, Oil Strainer	1	8x16		
	H259001089	Cıvata, Süzgeç	Bolt, Oil Strainer	1	8x16		
04178C	H349003076	Cıvata, Süzgeç	Bolt, Oil Strainer	4	8x30		
04178D	H349003192	Cıvata, Süzgeç	Bolt, Oil Strainer	4	8x40		
04178F	H349003172	Cıvata, Süzgeç	Bolt, Oil Strainer	2	8x20		
04178G	H259001195	Cıvata, Süzgeç	Bolt, Oil Strainer	2	8x12		

YAĞ FİLTRESİ OIL FILTER

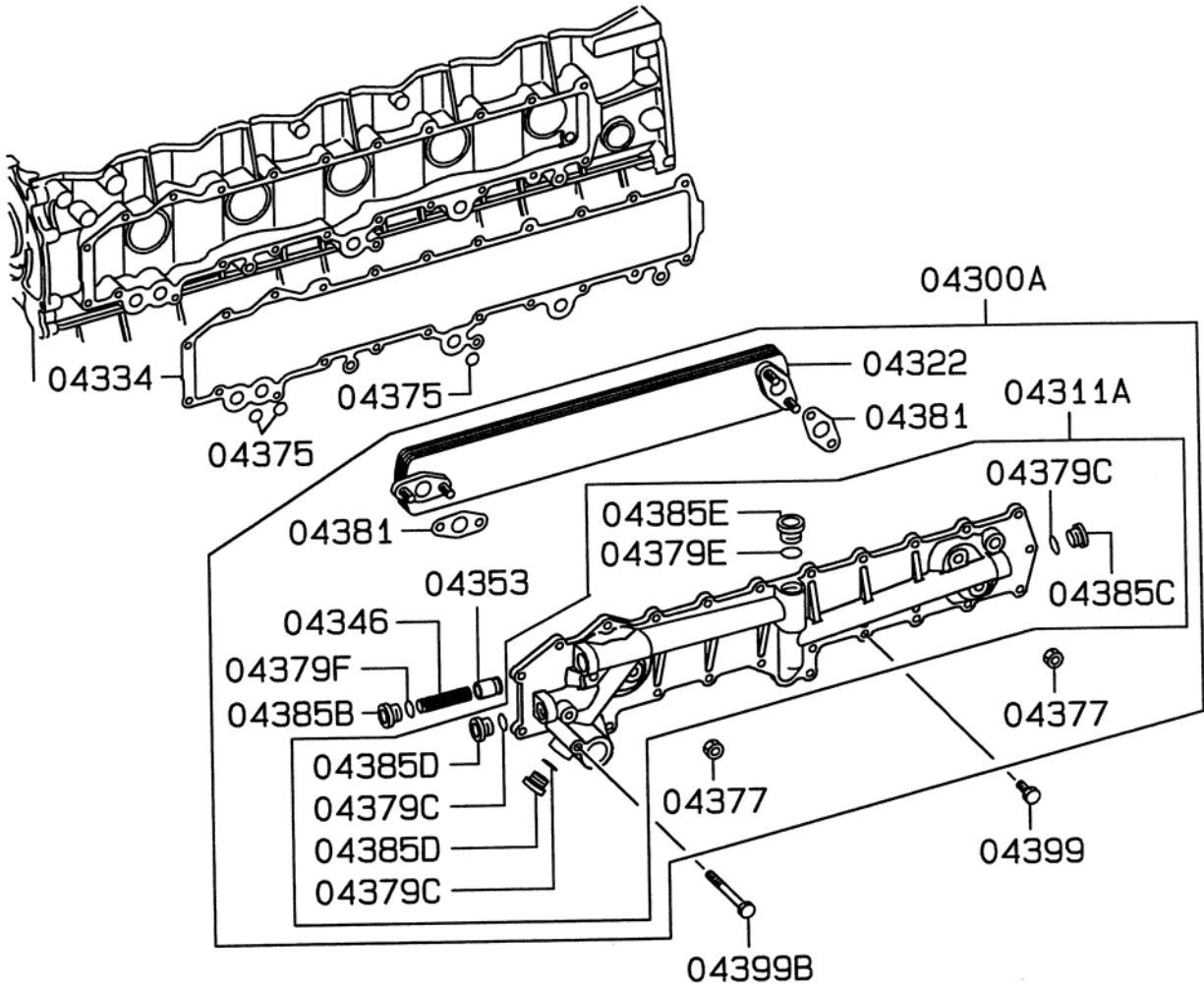


YAĞ FİLTRESİ OIL FILTER

No No	Parça No Part No	Adı Description	Adet Q'ty	Not Note	Seri No Serial No	Y. Kul. S.K. ICA S.C.
04100A	H259001196	Yağ Filt. ve Kafa Komp.	Oil Filter&Head Ass'y	1		
04101	H259001197	Filtre ByPass Müşürü	Switch, Filter ByPass	1		
04121A	H259001198	Kafa Komp., Filtre	Head Ass'y, Filter	1		D
	H259001198A	Kafa Komp., Filtre	Head Ass'y, Filter	1	*	C
04150	H259001199	Yağ Filtresi	Oil Filter	1		
04181	H259001200	Tapa, Filtre	Plug, Oil Filter INR	1		
04182B	H259001201	O-Ring, Filtre İç	O-Ring, Oil Filter INR	1		
04184	H349003253	Conta, Filtre İç	Gasket, Oil Filter INR	1		
04184B	H259001080	Conta, Filtre İç	Gasket, Oil Filter INR	1		
04191	H259001203	O-Ring, Filtre	O-Ring, Oil Filter	1	*	
04191B	H259001204	O-Ring, Filtre	O-Ring, Oil Filter	1	*	
04191C	H259001205	O-Ring, Filtre	O-Ring, Oil Filter	1	*	
04196	H349003698	Klips, Filtre	Clip, Oil Filter	1		
04199	H259001206	Cıvata, Yağ Filtresi	Bolt, Oil Filter	3		

(*) H259001572 numaralı conta, H259001198A ile birlikte H259001198, H259001203, H259001204, H259001205 yerine kullanılabilir. /
H259001572 part numbered gasket can be used instead of H259001203, H259001204, H259001205, H259001198 with H259001198A.

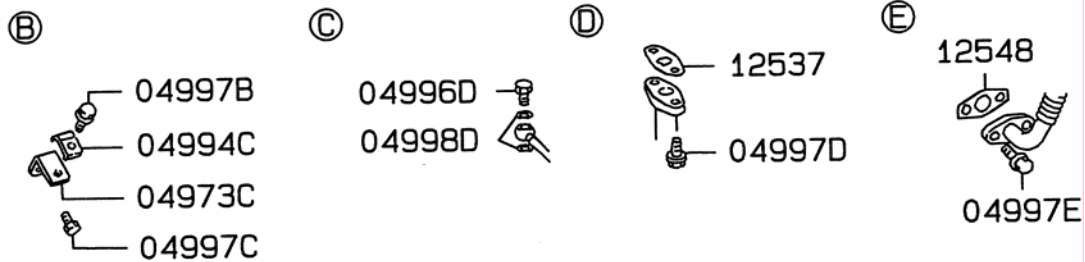
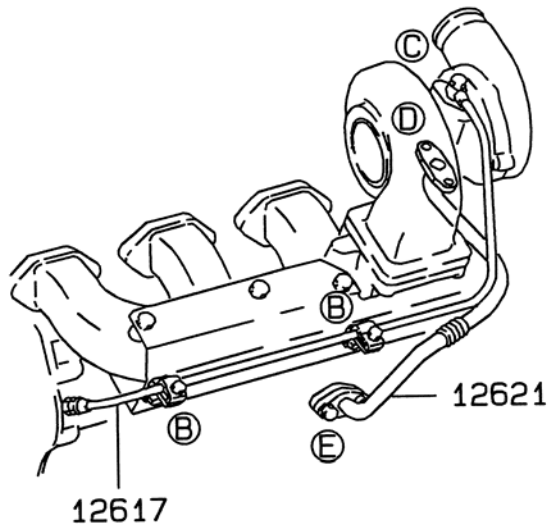
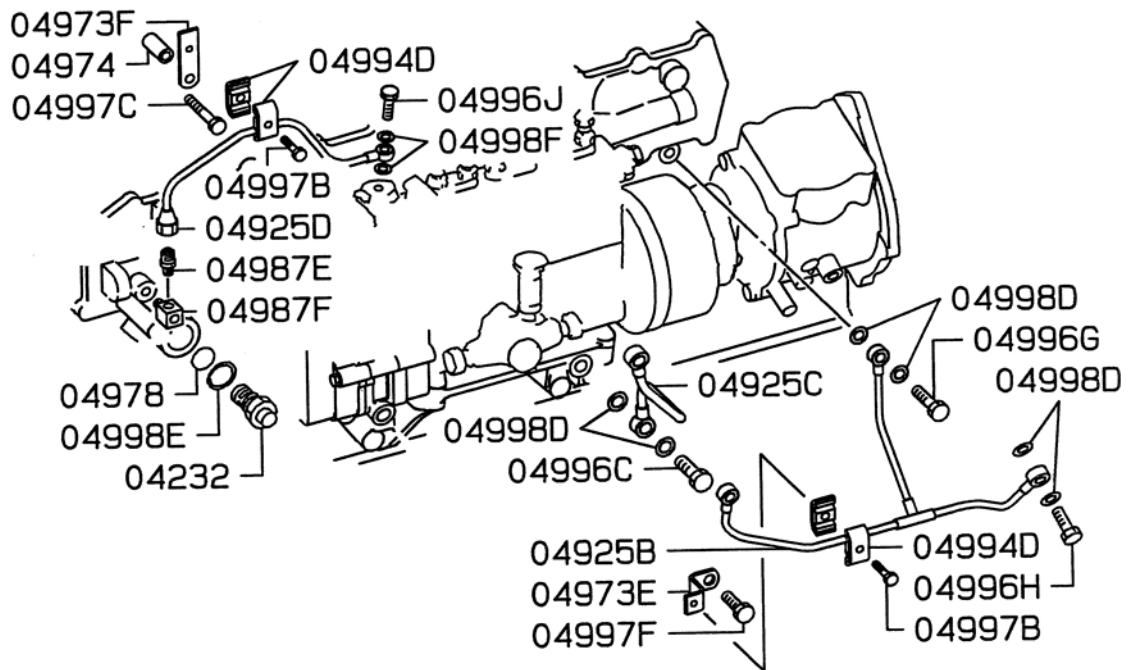
YAĞ SOĞUTUCU OIL COOLER



YAĞ SOĞUTUCU OIL COOLER

No No	Parça No Part No	Adı	Description	Adet Q'ty	Not Note	Seri No Serial No	Y. Kul. S.K. ICA S.C.
04300A	H259001207	Yağ Soğutucu Komp.	Oil Cooler Ass'y	1			
04311A	H259001208	Kapak Komp., Soğ.	Cover Ass'y, Cooler	1			
04322	H259001209	Yağ Soğutucu Elemanı	Element, Oil Cooler	1			
04334	H259001210	Conta, Soğ. Kapağı	Gasket, Cooler Cover	1			
04346	H259001211	Yay, By-Pass Valfi	Spring, By-Pass V/V	1			
04353	H259001212	By-Pass Valfi	Valve, By-Pass V/V	2			
04375	H259001213	O-Ring, Yağ Soğ.	O-Ring, Oil Cooler	3			
04377	H349003281	Somun, Yağ Soğ. İç	Nut, Oil Cooler INR	4	10		
04379C	H259001214	O-Ring, Yağ Soğ. İç	O-Ring, Oil Cooler INR	3			
04379E	H349003212	O-Ring, Yağ Soğ. İç	O-Ring, Oil Cooler INR	1			
04379F	H259001215	O-Ring, Yağ Soğ. İç	O-Ring, Oil Cooler INR	1			
04381	H259001216	Conta, Yağ Soğutucu	Gasket, Oil Cooler	2			
04385B	H259001217	Tapa, Yağ Soğ. İç	Plug, Oil Cooler INR	1			
04385C	H259001218	Tapa, Yağ Soğ. İç	Plug, Oil Cooler INR	1			
04385D	H259001218	Tapa, Yağ Soğ. İç	Plug, Oil Cooler INR	2			
04385E	H349003202	Tapa, Yağ Soğ. İç	Plug, Oil Cooler INR	1			
04399	H259001220	Cıvata, Yağ Soğutucu	Bolt, Oil Cooler	23	8x22		
04399B	H259001221	Cıvata, Yağ Soğutucu	Bolt, Oil Cooler	1	8x85		

YAĞLAMA TESİSATI OIL LINE

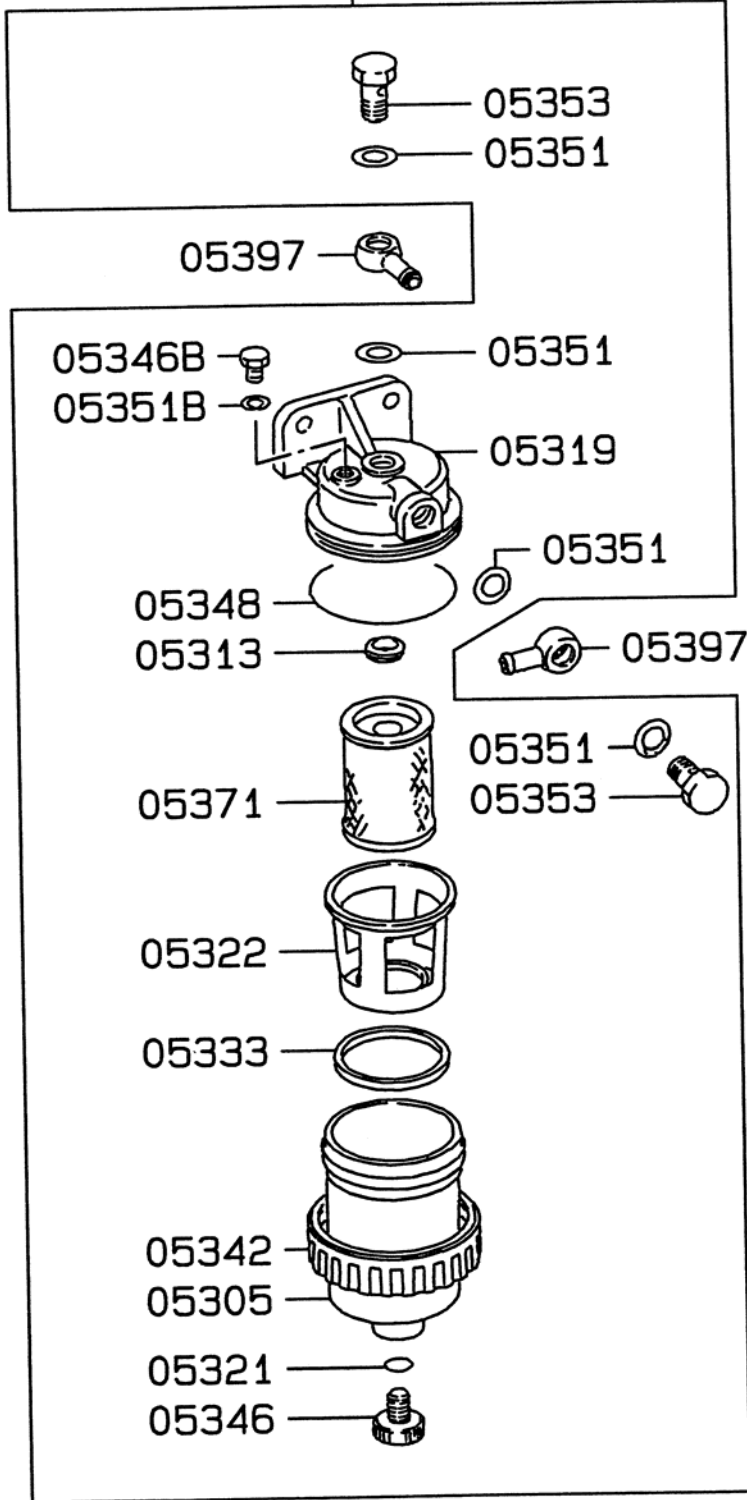


YAĞLAMA TESİSATI OIL LINE

No No	Parça No Part No	Adı Description	Adet Q'ty	Not Note	Seri No Serial No	Y. Kul. S.K. ICA S.C.
04232	H259001222	Valf, Basınç Regülatörü	1			
04925B	H259001223	Tesisat Borusu, Yağ	1			
04925C	H259001224	Tesisat Borusu, Yağ	1			
04925D	H259001225	Tesisat Borusu, Yağ	1			
04973C	H259001226	Tesisat Askısı	2			
04973E	H259001015	Tesisat Askısı	1			
04973F	H259001228	Tesisat Askısı	1			
04974	H259001077	Mesafe Burcu	1			
04978	H259001230	O-Ring, Tesisat	1			
04987E	H259001231	Konnektör, Tesisat	1			
04987F	H259001232	Konnektör, Tesisat	1			
04994C	H259001233	Kelepçe, Tesisat	2			
04994D	H259001234	Kelepçe, Tesisat	2			
	H349003590	Kelepçe, Tesisat	2			
04996C	H259001235	Cıvata	1	12x23		
04996D	H259001236	Cıvata	1	10x20		
04996G	H349003230	Cıvata	1	10x25		
04996H	H259001237	Cıvata	1	10x20		
04996J	H259001238	Cıvata	1	8x18		
04997B	H259001239	Cıvata	2	6x20		
	H259001240	Cıvata	2	6x35		
04997C	H349003154	Cıvata	1	8x55		
	H259001241	Cıvata	2	8x16		
04997D	H349003171	Cıvata	2	10x20		
04997E	H349003053	Cıvata	2	8x16		
04997F	H259001014	Cıvata	2	10x16		
04998D	H349003215	Conta, Tesisat	6			
	H259001243	Conta, Tesisat	2			
04998E	H259001244	Conta, Tesisat	1			
04998F	H259001245	Conta, Tesisat	2			
12537	H349003238	Conta, T/C Yağ Dön.	1			
12548	H259001246	Conta, T/C Yağ Dön.	1			
12617	H259001247	Tesisat, T/C Besleme	1			
12621	H259001248	Tesisat, T/C Dönüş	1			

YAKIT TESİSATI VE SU AYIRICISI FUEL LINE AND WATER SEPARATOR

05360A



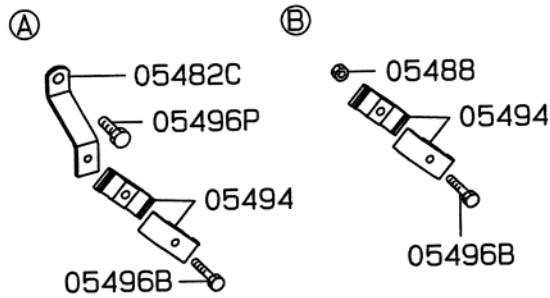
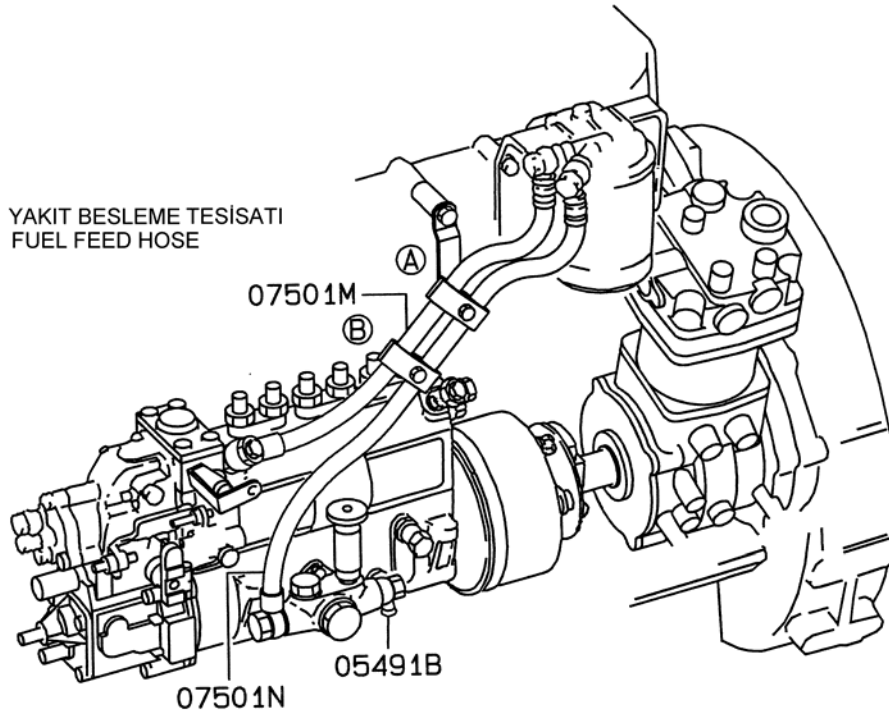
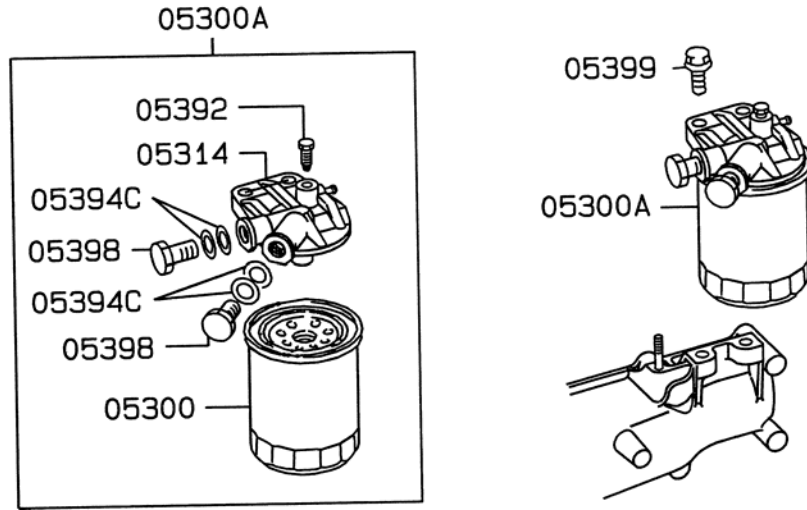
05346C



YAKIT TESİSATI VE SU AYIRICISI
FUEL LINE AND WATER SEPARATOR

No No	Parça No Part No	Adı	Description	Adet Q'ty	Not Note	Seri No Serial No	Y. Kul. S.K. ICA S.C.
05305	H349003241	Ayırıcı Muhafazası	Case, Water Sep.	1			
05313	H349003242	Conta, Ayırıcı	Gasket, Sep. Baffle	1			
05319	H349003243	Kafa, Su Ayırıcı	Head, Water Sep.	1			
05321	H349003244	O-Ring, Su Ayırıcı	O-Ring, Water Sep.	1			
05322	H349003245	Eleman Tutucu	Plate, Sep. Baffle	1			
05333	H349003246	Conta	Float, Sep. Level	1			
05342	H349003247	Somun, Ayırıcı	Nut, Water Separator	1			
05346	H349003248	Tapa, Ayırıcı İç	Plug, Separator INR	1			
05346B	H349003249	Tapa, Ayırıcı İç	Plug, Separator INR	1			
05346C	H349003250	Tapa, Ayırıcı İç	Plug, Separator INR	1			
05348	H349003251	O-Ring, Su Ayırıcı İç	O-Ring, Separator INR	1			
05351	H349003252	Conta, Su Ayırıcı İç	Gasket, Separator INR	4			
05351B	H349003253	Conta, Su Ayırıcı İç	Gasket, Separator INR	1			
05353	H349003254	Cıvata, Su Ayırıcı İç	Eyebolt, Separator INF	2			
05360A	H342514700	Su Ayırıcı Kompleksi	Water Separator Ass'y	1			
05371	H349003256	Su Ayırıcı Eleman	Element, Water Sep.	1			
05397	H349003257	Bağlantı Elemanı	Joint, Water Sep.	2			

YAKIT FİLTRESİ VE TESİSATI FUEL FILTER AND HOSE

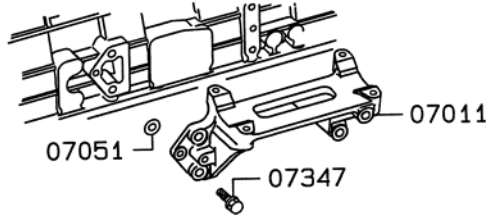
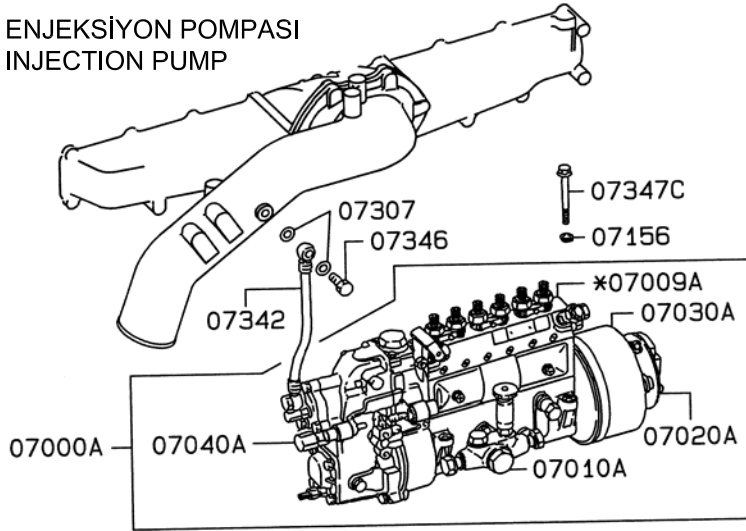


YAKIT FİLTRESİ VE TESİSATI FUEL FILTER AND HOSE

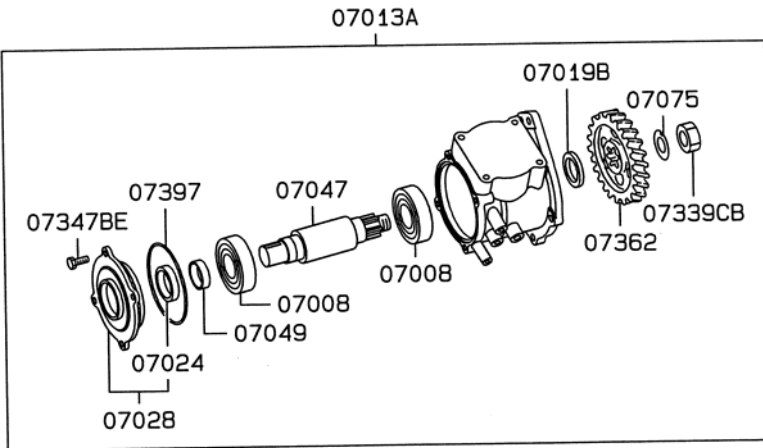
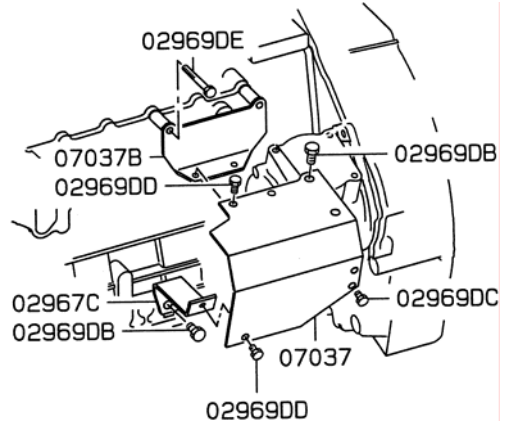
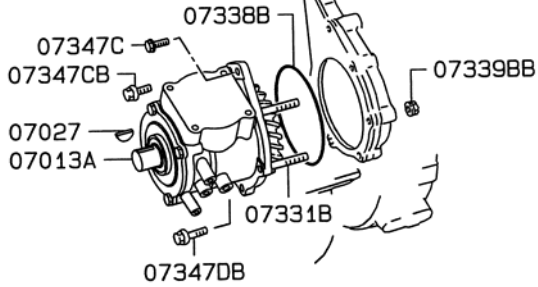
No No	Parça No Part No	Adı	Description	Adet Q'ty	Not Note	Seri No Serial No	Y. Kul. S.K. ICA S.C.
05300	H259001249	Yakıt Filtresi	Fuel Filter	1			
05300A	H259001250	Yakıt Filtresi Komp.	Fuel Filter Ass'y	1			
05314	H259001251	Yakıt Filtresi Kafası	Head, Fuel Filter	1			
05392	H349003262	Tapa, Yakıt Filtresi	Plug, Fuel Filter	1			
05394C	H349003252	Conta, Yakıt Filtresi	Gasket, Fuel Filter	4			
05398	H349003254	Cıvata	Eyebolt, Fuel Filter	2	14x26		
05399	H259001252	Cıvata	Bolt, Fuel Filter	2	10x60		
05482C	H259001253	Tesisat Askısı	Stay, Fuel Line	1			
05488	H349003588	Somun, Yakıt Tesisatı	Nut, Fuel Line	1			
05491B	H349003257	Bağlantı, Tesisat	Joint, Fuel Line	1			
05494	H259001254	Kelepçe, Yakıt Tes.	Clamp, Fuel Line	4			
05496B	H259001255	Cıvata	Bolt, Fuel Line	1	6x40		
05496P	H349003053	Cıvata	Bolt, Fuel Line	1	8x16		
07501M	H259001256	Hortum, Enj. Pom. Bes. Hose, Inj. Pump Feed		1			
07501N	H259001257	Hortum, Enj. Pom. Bes. Hose, Inj. Pump Feed		1			

YAKIT ENJEKSİYON POMPASI MONTAJI FUEL INJECTION PUMP GENERAL

ENJEKSİYON POMPASI
INJECTION PUMP



POMPA TAHRİĞİ
INJECTION PUMP DRIVE

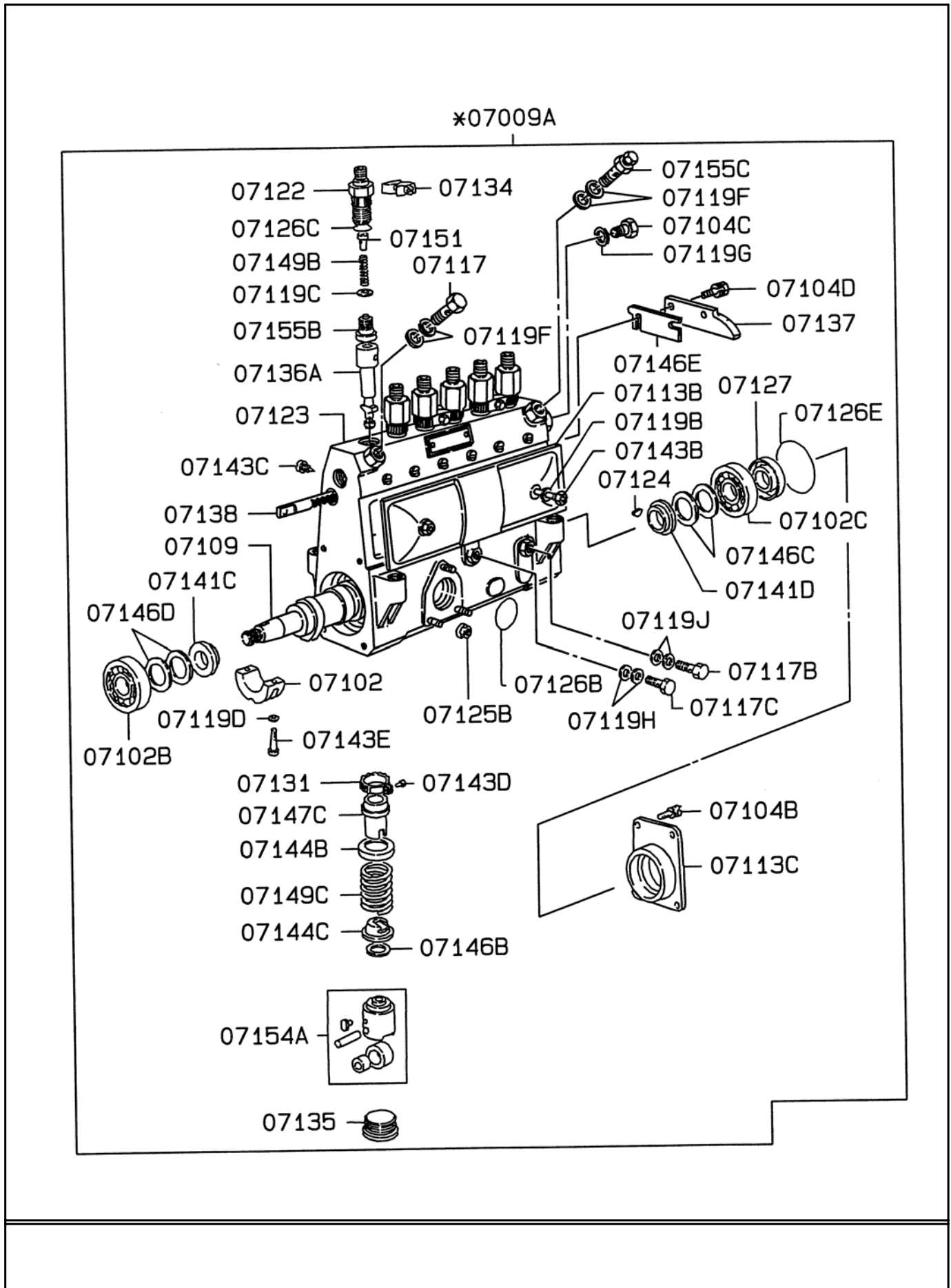


YAKIT ENJEKSİYON POMPASI MONTAJI

FUEL INJECTION PUMP GENERAL

No No	Parça No Part No	Adı Description	Adet Q'ty	Not Note	Seri No Serial No	Y. Kul. S.K. ICA S.C.
02967C	H259001258	Tutucu Sac	Stay, Safety Cover	1		
02969DB	H349003171	Cıvata	Bolt, Eng. Safety Cov.	3	10x20	
02969DC	H349003053	Cıvata	Bolt, Eng. Safety Cov.	2	8x16	
02969DD	H349003053	Cıvata	Bolt, Eng. Safety Cov.	3	8x16	
02969DE	H259001259	Cıvata	Bolt, Eng. Safety Cov.	2	8x70	
07000A	H259001260	Yakıt Enjek. Pompası	Pump Ass'y, Fuel Inj.	1		
07008	H259001261	Yatak, Tahrik Dişlisi	Bearing, Drive Gear	2		
07009A		Pompa Gövdesi	Body Ass'y, Inj. Pump	1		NSP
07010A	H259001262	Pompa Komp., Bes.	Pump Ass'y, Feed	1		
07011	H259001263	Braket, Enj. Pompası	Bracket, Inj. Pump	1		
07013A	H259001264	Pompa Tahrik Ünitesi	Case Ass'y, P. Drive	1		
07019B	H259001265	Kavrama, Tahrik Ünit.	Coupling, P. Drive Case	1		
07020A	H259001266	Kavrama, Enj. Pompası	Coupling, Inj. Pump	1		
07024	H259001267	Yağ Keçesi, Tahrik Şaftı	Oil Seal, Pmp Drive Shaft	1		
07027	H259001268	Anahtar, Tahrik Dişlisi	Key, Pump Drive Shaft	1		
07028	H259001269	Tutucu, Tahrik Ünitesi	Holder, Drive Case	1		
07030A	H259001270	Zamanlama Komp.	Timer Ass'y, Inj. P.	1		
07037	H259001271	Koruyucu, Tahrik Ünit.	Cover, Drive Shaft	1		
07037B	H259001272	Koruyucu, Tahrik Ünit.	Cover, Drive Shaft	1		
07040A	H259001273	Regülatör, Pompa	Governor, Pump	1		
07047	H259001274	Şaft, Tahrik Dişlisi	Shaft, Drive Gear	1		
07049	H259001275	Bilezik, Tahrik Ünitesi	Collar, Inj. Pump Drive	1		
07051	H259001276	Şim, Pompa Braketi	Shim, Inj. Pump Bracket	AR	0.1	
07075	H259001277	Pul, Tahrik Ünitesi	Washer, Drive Case	1		
07156	H259001278	Pul, Pompa Gövdesi	Washer, Pln, Pump Body	4	8	
07307	H349003215	Conta	Gasket, Feed Pump	2		
07331B	H259001279	Saplama, Pompa	Stud, Inj. Pump	2	10x60	
07338B	H349003280	O-Ring, Enj. Pompası	O-Ring, Inj. Pump	1		
07339BB	H349003281	Somun, Enj. Pompası	Nut, Inj. Pump	2	10	
07339CB	H259001280	Somun, Enj. Pompası	Nut, Inj. Pump	1	22	
07342	H259001281	Hortum, Enj. Pompası	Hose, Inj. Pump	1		
07346	H349003229	Cıvata	Eyebolt, Inj. Pump	1	10x20	
07347	H259001282	Cıvata	Bolt, Inj. Pump	1	10x105	
	H349003266	Cıvata	Bolt, Inj. Pump	3	10x30	
07347BE	H259001283	Cıvata	Bolt, Inj. Pump	4	8x22	
07347C	H259001284	Cıvata	Bolt, Inj. Pump	1	8x30	
	H349003152	Cıvata	Bolt, Inj. Pump	4	8x75	
07347CB	H349003632	Cıvata	Bolt, Inj. Pump	1	10x25	
07347DB	H349003285	Cıvata	Bolt, Inj. Pump	2	10x40	
07362	H259001285	Dişli, Pmp. Zamanlayıcı	Gear, Inj. Pump Timer	1		
07397	H259001286	O-Ring, Enj. Pmp. Tahrik.	O-Ring, Inj. Pump Drive	1		

YAKIT ENJEKSİYON POMPASI INJECTION PUMP



YAKIT ENJEKSİYON POMPASI INJECTION PUMP

No No	Parça No Part No	Adı	Description	Adet Q'ty	Not Note	Seri No Serial No	Y. Kul. S.K. ICA S.C.
07009A		Enj. Pompası Gövdesi	Body Ass'y, Inj. Pump	1			NSP
07102	H259001287	Yatak	Bearing, Inj. Pump	1			
07102B	H349003289	Yatak	Bearing, Inj. Pump	1			
	H349003290	Yatak	Bearing, Inj. Pump	1			
07102C	H349003289	Yatak	Bearing, Inj. Pump	1			
	H349003290	Yatak	Bearing, Inj. Pump	1			
07104B	H259001288	Cıvata, Enj. Pompası	Bolt, Inj. Pump	4			
07104C	H259001289	Cıvata, Enj. Pompası	Bolt, Inj. Pump	1			
07104D	H259001290	Cıvata, Enj. Pompası	Bolt, Inj. Pump	2			
07109	H259001291	Kam Mili, Enj. Pompası	Camshaft, Inj. P. Body	1			
07113B	H349003294	Kapak, Pompa Göv.	Cover, Inj. Pump Body	1			
07113C	H259001292	Kapak, Pompa Göv.	Cover, Inj. Pump Body	1			
07117	H349003296	Cıvata, Enj. Pompası	Eyebolt, Inj. Pump	1			
07117B	H259001293	Cıvata, Enj. Pompası	Eyebolt, Inj. Pump	1			
07117C	H349003297	Cıvata, Enj. Pompası	Eyebolt, Inj. Pump	1			
07119B	H349003298	Conta, Enj. Pompası	Gasket, Inj. Pump	2			
07119C	H259001294	Conta, Enj. Pompası	Gasket, Inj. Pump	6			
07119D	H349003300	Conta, Enj. Pompası	Gasket, Inj. Pump	6			
07119F	H349003302	Conta, Enj. Pompası	Gasket, Inj. Pump	4			
07119G	H349003406	Conta, Enj. Pompası	Gasket, Inj. Pump	1			
07119H	H349003407	Conta, Enj. Pompası	Gasket, Inj. Pump	2			
07119J	H349003403	Conta, Enj. Pompası	Gasket, Inj. Pump	2			
07122	H259001295	Çıkış Rekoru	Holder, Inj. Pump Bdy.	6			
07123	H259001296	Gövde, Enj. Pompası	Housing, Inj. P. Body	1			
07124	H349003306	Anahtar, Enj. Pompası	Key, Inj. Pump Body	1			
07125B	H349003307	Somun, Enj. Pomp.	Nut, Inj Pump Body	3			
07126B	H349003309	O-Ring, Enj. Pomp.	O-Ring, Inj. Pump B.	1			
07126C	H259001297	O-Ring, Enj. Pomp.	O-Ring, Inj. Pump B.	6			
07126E	H259001298	O-Ring, Enj. Pomp.	O-Ring, Inj. Pump B.	1			
07127	H349003312	Yağ Keçesi, Enj. Pomp.	Oil Seal, Inj. Pump B.	1			
07131	H349003313	Pinyon, Enj. Pomp.	Pinion, Inj. Pump B.	6			
07134	H259001299	Tutucu	Plate, Inj. Pump B.	3			
07135	H259001300	Tapa, Enj. Pomp.	Plug, Inj. Pump B.	6			
07136A	H259001301	Plancer	Plunger Ass'y	6			
07137	H259001302	Ara Sac, Enj. Pomp.	Pointer, Inj. Pump	1			
07138	H349003317	Dişli Çubuk	Rack, Inj. Pump Body	1			
07141C	H349003319	Bilezik, Enj. Pomp.	Ring, Inj. Pump Body	1			
07141D	H349003319	Bilezik, Enj. Pomp.	Ring, Inj. Pump Body	1			
07143B	H349003320	Vida, Enj. Pompası	Screw, Inj. Pump B.	2			
07143C	H349003321	Vida, Enj. Pompası	Screw, Inj. Pump B.	1			
07143D	H349003322	Vida, Enj. Pompası	Screw, Inj. Pump B.	6			
07143E	H259001303	Vida, Enj. Pompası	Screw, Inj. Pump B.	6			
07144B	H259001304	Yay Tutucu	Seat, Inj. Pump Body	6			
07144C	H259001305	Yay Tutucu	Seat, Inj. Pump Body	6			

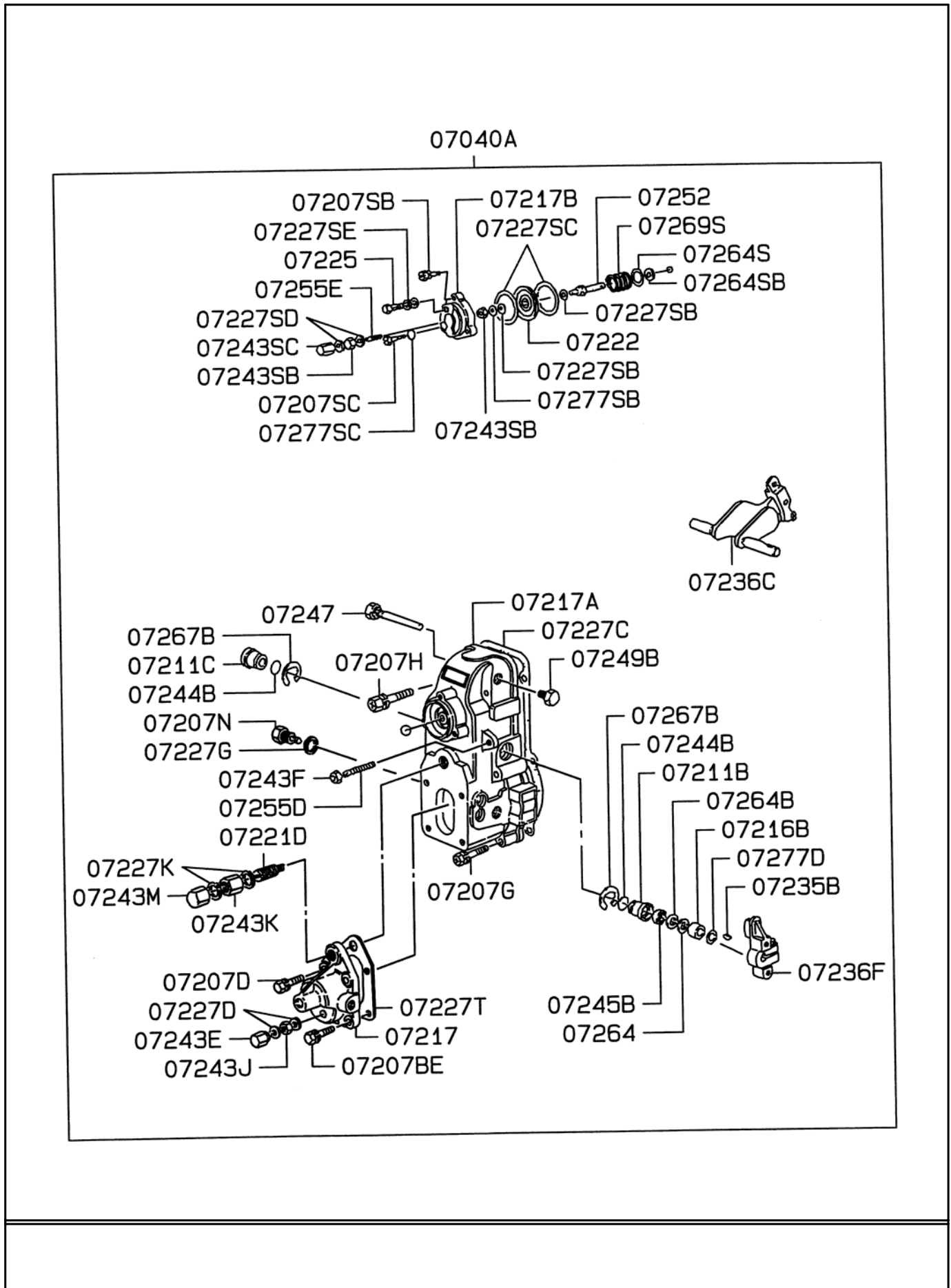
YAKIT ENJEKSİYON POMPASI INJECTION PUMP

No No	Parça No Part No	Adı	Description	Adet Q'ty	Not Note	Seri No Serial No	Y. Kul. S.K. ICA S.C.
07146B	H349003326	Şim, Enj. Pomp.	Shim, Inj. Pump Body	AR	T=0.20		
	H349003327	Şim, Enj. Pomp.	Shim, Inj. Pump Body	AR	T=0.25		
	H349003328	Şim, Enj. Pomp.	Shim, Inj. Pump Body	AR	T=0.30		
	H349003329	Şim, Enj. Pomp.	Shim, Inj. Pump Body	AR	T=0.35		
	H349003330	Şim, Enj. Pomp.	Shim, Inj. Pump Body	AR	T=0.40		
	H349003331	Şim, Enj. Pomp.	Shim, Inj. Pump Body	AR	T=0.45		
	H349003332	Şim, Enj. Pomp.	Shim, Inj. Pump Body	AR	T=0.50		
	H349003333	Şim, Enj. Pomp.	Shim, Inj. Pump Body	AR	T=0.55		
	H349003334	Şim, Enj. Pomp.	Shim, Inj. Pump Body	AR	T=0.60		
	H349003335	Şim, Enj. Pomp.	Shim, Inj. Pump Body	AR	T=0.65		
	H349003336	Şim, Enj. Pomp.	Shim, Inj. Pump Body	AR	T=0.70		
	H349003337	Şim, Enj. Pomp.	Shim, Inj. Pump Body	AR	T=0.75		
	H349003338	Şim, Enj. Pomp.	Shim, Inj. Pump Body	AR	T=0.80		
	H349003339	Şim, Enj. Pomp.	Shim, Inj. Pump Body	AR	T=0.85		
	H349003340	Şim, Enj. Pomp.	Shim, Inj. Pump Body	AR	T=0.90		
	H349003341	Şim, Enj. Pomp.	Shim, Inj. Pump Body	AR	T=0.95		
	H349003342	Şim, Enj. Pomp.	Shim, Inj. Pump Body	AR	T=1.00		
	H349003343	Şim, Enj. Pomp.	Shim, Inj. Pump Body	AR	T=1.05		
	H349003344	Şim, Enj. Pomp.	Shim, Inj. Pump Body	AR	T=1.10		
	H349003345	Şim, Enj. Pomp.	Shim, Inj. Pump Body	AR	T=1.15		
	H349003346	Şim, Enj. Pomp.	Shim, Inj. Pump Body	AR	T=1.20		
	H349003347	Şim, Enj. Pomp.	Shim, Inj. Pump Body	AR	T=1.25		
	H349003348	Şim, Enj. Pomp.	Shim, Inj. Pump Body	AR	T=1.30		
	H349003349	Şim, Enj. Pomp.	Shim, Inj. Pump Body	AR	T=1.35		
	H349003350	Şim, Enj. Pomp.	Shim, Inj. Pump Body	AR	T=1.40		
	H349003351	Şim, Enj. Pomp.	Shim, Inj. Pump Body	AR	T=1.45		
	H349003352	Şim, Enj. Pomp.	Shim, Inj. Pump Body	AR	T=1.50		
	H349003353	Şim, Enj. Pomp.	Shim, Inj. Pump Body	AR	T=1.55		
	H349003354	Şim, Enj. Pomp.	Shim, Inj. Pump Body	AR	T=1.60		
07146C	H349003355	Şim, Enj. Pomp.	Shim, Inj. Pump Body	AR	T=0.10		
	H349003356	Şim, Enj. Pomp.	Shim, Inj. Pump Body	AR	T=0.12		
	H349003357	Şim, Enj. Pomp.	Shim, Inj. Pump Body	AR	T=0.14		
	H349003358	Şim, Enj. Pomp.	Shim, Inj. Pump Body	AR	T=0.16		
	H349003359	Şim, Enj. Pomp.	Shim, Inj. Pump Body	AR	T=0.18		
	H349003360	Şim, Enj. Pomp.	Shim, Inj. Pump Body	AR	T=0.30		
	H349003361	Şim, Enj. Pomp.	Shim, Inj. Pump Body	AR	T=0.50		
	H349003362	Şim, Enj. Pomp.	Shim, Inj. Pump Body	AR	T=0.70		
	H349003363	Şim, Enj. Pomp.	Shim, Inj. Pump Body	AR	T=1.00		
07146D	H349003355	Şim, Enj. Pomp.	Shim, Inj. Pump Body	AR	T=0.10		
	H349003356	Şim, Enj. Pomp.	Shim, Inj. Pump Body	AR	T=0.12		
	H349003357	Şim, Enj. Pomp.	Shim, Inj. Pump Body	AR	T=0.14		
	H349003358	Şim, Enj. Pomp.	Shim, Inj. Pump Body	AR	T=0.16		
	H349003359	Şim, Enj. Pomp.	Shim, Inj. Pump Body	AR	T=0.18		
	H349003360	Şim, Enj. Pomp.	Shim, Inj. Pump Body	AR	T=0.30		

**YAKIT ENJEKSİYON POMPASI
INJECTION PUMP**

No No	Parça No Part No	Adı	Description	Adet Q'ty	Not Note	Seri No Serial No	Y. Kul. S.K. ICA S.C.
	H349003361	Şim, Enj. Pomp.	Shim, Inj. Pump Body	AR	T=0.50		
	H349003362	Şim, Enj. Pomp.	Shim, Inj. Pump Body	AR	T=0.70		
	H349003363	Şim, Enj. Pomp.	Shim, Inj. Pump Body	AR	T=1.00		
07146E	H259001306	Şim, Enj. Pomp.	Shim, Inj. Pump Body	AR	T=0.20		
	H259001307	Şim, Enj. Pomp.	Shim, Inj. Pump Body	AR	T=0.30		
	H259001308	Şim, Enj. Pomp.	Shim, Inj. Pump Body	AR	T=0.50		
	H259001309	Şim, Enj. Pomp.	Shim, Inj. Pump Body	AR	T=1.00		
07147C	H259001310	Gömlek, Enj. Pomp.	Sleeve, Inj. Pump. B.	6			
07149B	H259001311	Yay, Enj. Pompası	Spring, Inj. Pump B.	6			
07149C	H259001312	Yay, Enj. Pompası	Spring, Inj. Pump B.	6			
07151	H259001313	Durdurucu	Stopper, Inj. P. Body	6			
07154A	H259001314	İtici, Enj. Pompası	Tappet Ass'y, Inj. P.B.	6			
07155B	H259001315	Supap, Enj. Pompası	Valve, Inj. Pump	6			
07155C	H349003381	Supap, Enj. Pompası	Valve, Inj. Pump	1			

REGÜLATÖR (1/2)
GOVERNOR (1/2)



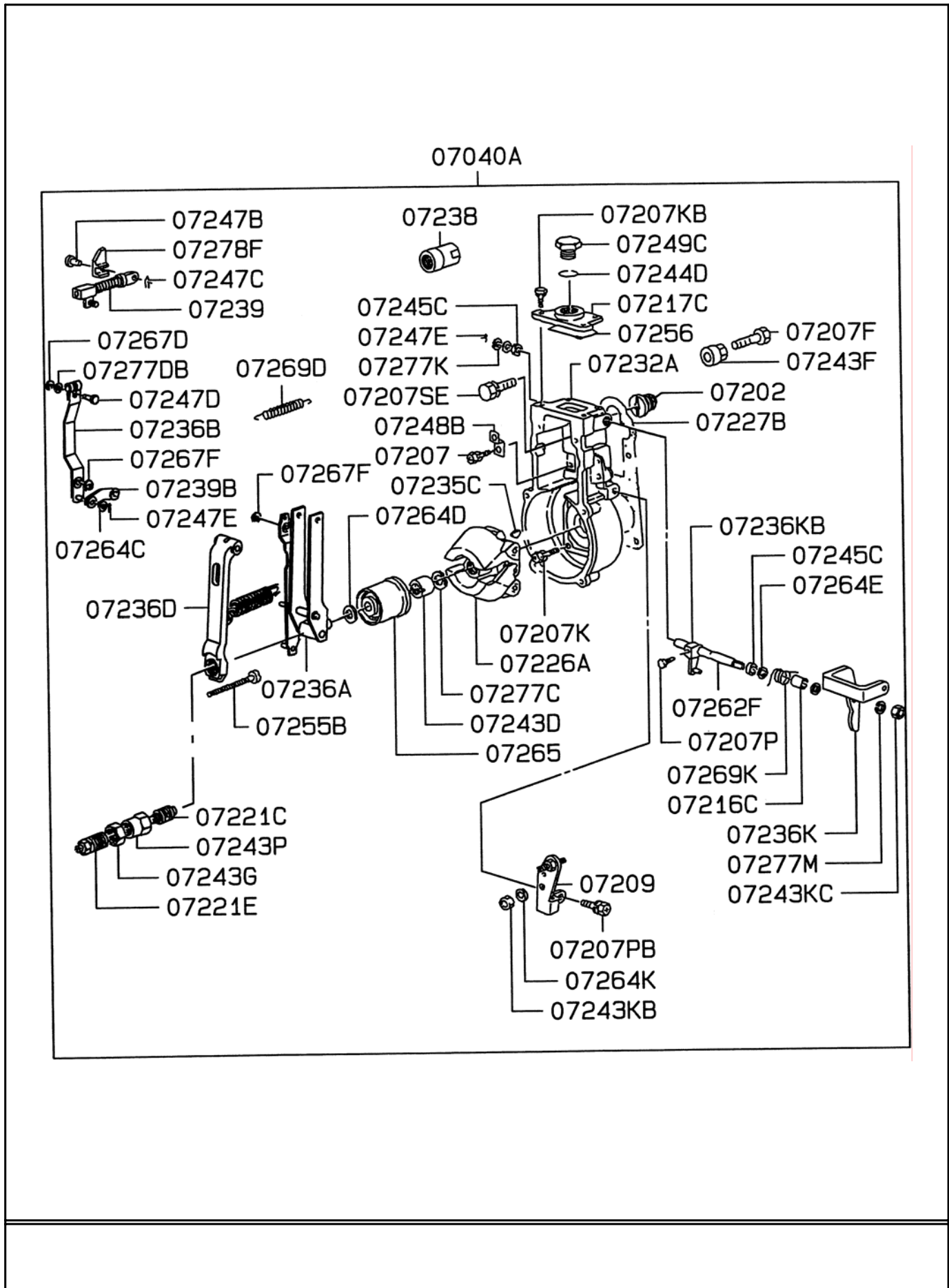
REGÜLATÖR (1/2)
GOVERNOR (1/2)

No No	Parça No Part No	Adı Description	Adet Q'ty	Not Note	Seri No Serial No	Y. Kul. S.K. ICA S.C.
07040A	H259001273	Regülatör Komp., Pom. Governor Ass'y, Inj P.	1			
07207BE	H349003386	Cıvata, Regülatör Bolt, Governor	2			
07207D	H349003385	Cıvata, Regülatör Bolt, Governor	2			
07207G	H349003387	Cıvata, Regülatör Bolt, Governor	4			
07207H	H349003388	Cıvata, Regülatör Bolt, Governor	2			
07207N	H349003389	Cıvata, Regülatör Bolt, Governor	1			
07207SB	H259001317	Cıvata, Regülatör Bolt, Governor	1			
07207SC	H259001318	Cıvata, Regülatör Bolt, Governor	2			
07211B	H349003391	Burç, Regülatör Bushing, Governor	1			
07211C	H349003392	Burç, Regülatör Bushing, Governor	1			
07216B	H349003393	Bilezik, Regülatör Collar, Governor	1			
07217	H259001319	Kapak, Regülatör Cover, Governor	1			
07217A	H259001320	Kapak, Regülatör Cover, Governor	1			
07217B	H259001321	Kapak, Regülatör Cover, Governor	1			
07221D	H259001322	Damper, Regülatör Damper, Governor	1			
07222	H349003398	Diyafram, Regülatör Diaphragm, Governor	1			
07225	H349003399	Cıvata, Regülatör Eyebolt, Governor	1			
07227C	H349003400	Conta, Regülatör Gasket, Governor	1			
07227D	H349003401	Conta, Regülatör Gasket, Governor	2			
07227G	H349003402	Conta, Regülatör Gasket, Governor	1			
07227K	H349003403	Conta, Regülatör Gasket, Governor	2			
07227SB	H349003404	Conta, Regülatör Gasket, Governor	2			
07227SC	H349003405	Conta, Regülatör Gasket, Governor	2			
07227SD	H349003406	Conta, Regülatör Gasket, Governor	2			
07227SE	H349003407	Conta, Regülatör Gasket, Governor	2			
07227T	H259001323	Conta, Regülatör Gasket, Governor	1			
07235B	H349003408	Anahtar, Regülatör Key, Governor	1			
07236C	H259001324	Levy, Regülatör Lever, Governor	1			
07236F	H259001325	Levy, Regülatör Lever, Governor	1			
07243E	H259001326	Somun, Regülatör Nut, Governor	1			
07243F	H349003412	Somun, Regülatör Nut, Governor	1			
07243J	H349003414	Somun, Regülatör Nut, Governor	1			
07243K	H259001327	Somun, Regülatör Nut, Governor	1			
07243M	H259001328	Somun, Regülatör Nut, Governor	1			
07243SB	H349003417	Somun, Regülatör Nut, Governor	2			
07243SC	H259001329	Somun, Regülatör Nut, Governor	1			
07244B	H349003419	O-Ring, Regülatör O-Ring, Governor	2			
07245B	H349003421	Yağ Keçesi, Regülatör Oil Seal, Governor	1			
07247	H259001330	Pim, Regülatör Pin, Governor	1			
07249B	H259001331	Tapa, Regülatör Plug, Governor	1			
07252	H349003424	İtici Rod, Regülatör Push Rod, Governor	1			
07255D	H349003425	Cıvata, Regülatör Screw, Governor	1			
07255E	H349003426	Cıvata, Regülatör Screw, Governor	1			
07264	H349003427	Şim, Regülatör Shim, Governor	AR	T=0.5		

REGÜLATÖR (1/2)
GOVERNOR (1/2)

No No	Parça No Part No	Adı	Description	Adet Q'ty	Not Note	Seri No Serial No	Y. Kul. S.K. ICA S.C.
07264B	H349003428	Şim, Regülatör	Shim, Governor	1			
07264S	H349003429	Şim, Regülatör	Shim, Governor		T=0.2		
	H349003430	Şim, Regülatör	Shim, Governor		T=0.5		
07264SB	H349003431	Şim, Regülatör	Shim, Governor	4			
07267B	H349003432	Segman, Regülatör	Snap Ring, Governor	2			
07269S	H259001332	Yay, Regülatör	Spring, Governor	1			
07277D	H349003435	Pul, Regülatör	Washer, Governor	AR	T=1.0		
07277SB	H349003436	Pul, Regülatör	Washer, Governor	1			
07277SC	H349003437	Pul, Regülatör	Washer, Governor	3			

REGÜLATÖR (2/2)
GOVERNOR (2/2)



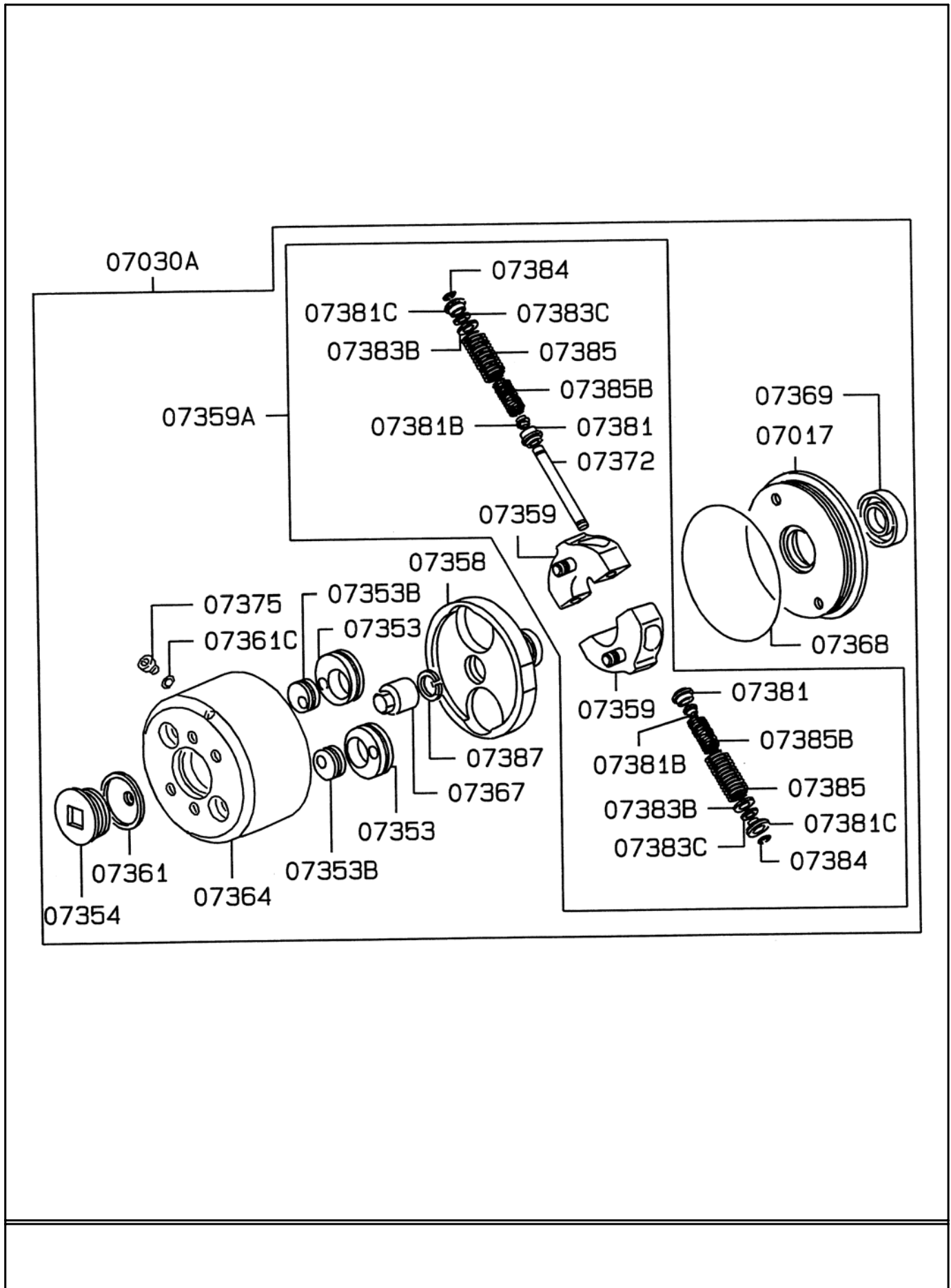
REGÜLATÖR (2/2)
GOVERNOR (2/2)

No No	Parça No Part No	Adı	Description	Adet Q'ty	Not Note	Seri No Serial No	Y. Kul. S.K. ICA S.C.
07040A	H259001273	Regülatör Komp.	Governor Ass'y.	1			
07202	H349003439	Adaptör, Regülatör	Adapter, Governor	1			
07207	H349003440	Cıvata, Regülatör	Bolt, Governor	1			
07207F	H259001334	Cıvata, Regülatör	Bolt, Governor	AR			
	H259001335	Cıvata, Regülatör	Bolt, Governor	AR			
07207K	H349003441	Cıvata, Regülatör	Bolt, Governor	5			
07207KB	H349003385	Cıvata, Regülatör	Bolt, Governor	4			
07207P	H349003443	Cıvata, Regülatör	Bolt, Governor	1			
07207PB	H349003444	Cıvata, Regülatör	Bolt, Governor	1			
07207SE	H349003445	Cıvata, Regülatör	Bolt, Governor	1			
07209	H259001336	Braket, Regülatör	Bracket, Governor	1			
07216C	H349003447	Bilezik, Regülatör	Collar, Governor	1			
07217C	H349003448	Kapak, Regülatör	Cover, Governor	1			
07221C	H259001337	Damper, Regülatör	Damper, Governor	1			
07226A	H349003450	Döner Ağırlık, Reg.	Flyweight, Governor	1			
07227B	H259001338	Conta, Regülatör	Gasket, Governor	1			
07232A	H259001339	Gövde, Regülatör	Housing Ass'y, Gov.	1			
07235C	H349003453	Anahtar, Regülatör	Key, Governor	1			
07236A	H259001340	Levyeye Komp., Reg.	Lever Ass'y, Gov.	1			
07236B	H259001341	Levyeye Komp., Reg.	Lever Ass'y, Gov.	1			
07236D	H259001342	Levyeye Komp., Reg.	Lever Ass'y, Gov.	1			
07236K	H259001343	Levyeye Komp., Reg.	Lever Ass'y, Gov.	1			
07236KB	H259001344	Levyeye Komp., Reg.	Lever Ass'y, Gov.	1			
07238	H349003459	Sınırlayıcı, Regülatör	Limiter, Governor	1			
07239	H259001345	Bağlantı Parçası, Reg.	Link, Governor	1			
07239B	H259001346	Bağlantı Parçası, Reg.	Link, Governor	1			
07243D	H349003462	Somun, Regülatör	Nut, Governor	1			
07243G	H259001347	Somun, Regülatör	Nut, Governor	1			
07243KB	H349003464	Somun, Regülatör	Nut, Governor	1			
07243KC	H349003465	Somun, Regülatör	Nut, Governor	1			
07243P	H349003463	Somun, Regülatör	Nut, Governor	1			
07244D	H349003466	O-Ring, Regülatör	O-Ring, Governor	1			
07245C	H349003422	Yağ Keçesi, Reg.	Oil Seal, Governor	2			
07247B	H349003468	Pim, Regülatör	Pin, Governor	1			
07247C	H349003469	Pim, Regülatör	Pin, Governor	1			
07247D	H349003470	Pim, Regülatör	Pin, Governor	1			
07247E	H349003471	Pim, Regülatör	Pin, Governor	3			
07248B	H349003423	Bağlantı Parçası, Reg.	Plate, Governor	1			
07249C	H259001348	Tapa, Regülatör	Plug, Governor	1			
	H259001349	Tapa, Regülatör	Plug, Governor	1			
07255B	H259001350	Cıvata, Regülatör	Screw, Governor	1			
07256	H349003476	Sızdırmazlık Elemanı	Seal Ring, Governor	1			
07262F	H349003477	Şaft, Regülatör	Shaft, Governor	1			
07264C	H349003478	Şim, Regülatör	Shim, Governor	3			

REGÜLATÖR (2/2)
GOVERNOR (2/2)

No No	Parça No Part No	Adı	Description	Adet Q'ty	Not Note	Seri No Serial No	Y. Kul. S.K. ICA S.C.
07264D	H349003479	Şim, Regülatör	Shim, Governor	AR	T=0.2		
	H349003480	Şim, Regülatör	Shim, Governor	AR	T=0.3		
	H349003481	Şim, Regülatör	Shim, Governor	AR	T=0.4		
	H349003482	Şim, Regülatör	Shim, Governor	AR	T=0.5		
	H349003483	Şim, Regülatör	Shim, Governor	AR	T=1.0		
	H349003484	Şim, Regülatör	Shim, Governor	AR	T=1.5		
	H349003485	Şim, Regülatör	Shim, Governor	AR	T=2.0		
	H349003486	Şim, Regülatör	Shim, Governor	AR	T=3.0		
	H349003487	Şim, Regülatör	Shim, Governor	AR	T=4.0		
07264E	H349003488	Şim, Regülatör	Shim, Governor	AR			
	H349003489	Şim, Regülatör	Shim, Governor	AR			
07264K	H349003490	Şim, Regülatör	Shim, Governor	1			
07264S	H349003429	Şim, Regülatör	Shim, Governor	AR	T=0.2		
	H349003430	Şim, Regülatör	Shim, Governor	AR	T=0.5		
07265	H349003493	Gömlek, Regülatör	Sleeve, Governor	1			
07267D	H349003494	Segman, Regülatör	Snap Ring, Governor	1			
07267F	H349003495	Segman, Regülatör	Snap Ring, Governor	2			
07269D	H349003496	Yay, Regülatör	Spring, Governor	1			
07269K	H259001351	Yay, Regülatör	Spring, Governor	1			
07277C	H349003498	Pul, Regülatör	Washer, Governor	1			
07277DB	H349003499	Pul, Regülatör	Washer, Governor	1			
07277K	H349003489	Pul, Regülatör	Washer, Governor	AR			
	H349003501	Pul, Regülatör	Washer, Governor	AR	T=1.0		
	H349003502	Pul, Regülatör	Washer, Governor	AR	T=1.5		
07277M	H349003503	Pul, Regülatör	Washer, Governor	1			
07278F	H259001352	Bağlantı Elemanı	Connector, Governor	1			

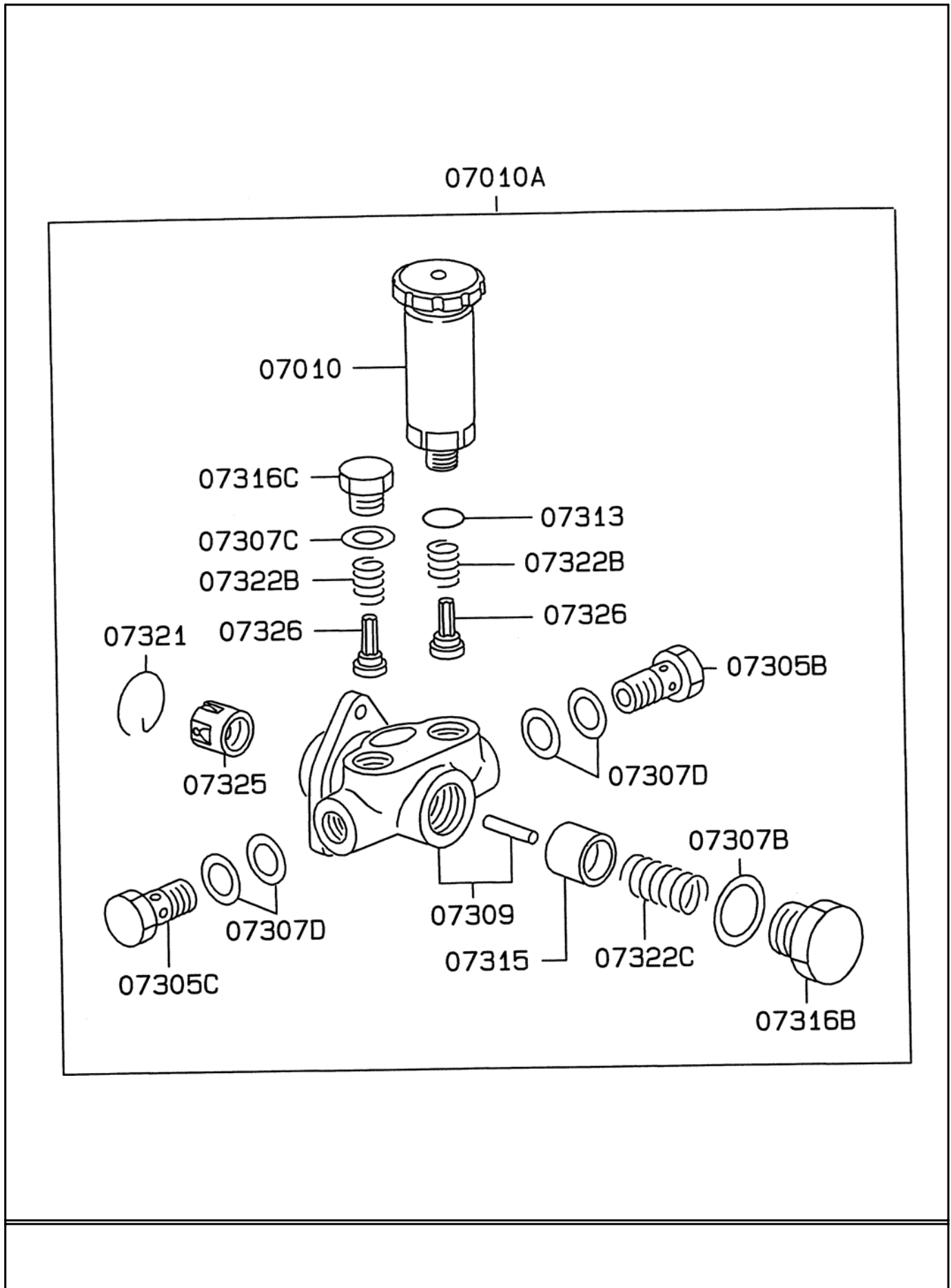
OTOMATİK ZAMANLAYICI AUTOMATIC TIMER



OTOMATİK ZAMANLAYICI AUTOMATIC TIMER

No No	Parça No Part No	Adı	Description	Adet Q'ty	Not Note	Seri No Serial No	Y. Kul. S.K. ICA S.C.
07017	H259001353	Kapak, Zamanlayıcı	Cover, Inj. P. Timer	1			
07030A	H259001270	Zamanlayıcı Komp.	Timer Ass'y.	1			
07353	H259001355	Kam, Zamanlayıcı	Cam, Timer	2			
07353B	H259001356	Kam, Zamanlayıcı	Cam, Timer	2			
07354	H259001357	Kep, Zamanlayıcı	Cap, Timer	1			
07358	H259001358	Flanş, Zamanlayıcı	Flange, Timer	1			
07359	H259001359	Döner Ağırlık, Zaman.	Flyweight, Timer	2			
07359A	H259001360	Döner Ağırlık, Zaman.	Flyweight, Timer	1			
07361	H259001361	Conta, Zamanlayıcı	Gasket, Timer	1			
07361C	H259001362	Conta, Zamanlayıcı	Gasket, Timer	1			
07364	H259001363	Gövde, Zamanlayıcı	Housing, Timer	1			
07367	H259001364	Somun, Zamanlayıcı	Nut, Timer	1			
07368	H259001365	O-Ring, Zamanlayıcı	O-Ring, Timer	1			
07369	H259001366	Yağ Keçesi, Zaman.	Oil Seal, Timer	1			
07372	H259001367	Pim, Zamanlayıcı	Pin, Timer	2			
07375	H259001368	Tapa, Zamanlayıcı	Plug, Timer	1			
07381	H259001369	Yay Tutucu, Zaman.	Seat, Timer	4			
07381B	H259001370	Yay Tutucu, Zaman.	Seat, Timer	4			
07381C	H259001371	Yay Tutucu, Zaman.	Seat, Timer	4			
07383B	H349003519	Şim, Zamanlayıcı	Shim, Timer	AR	T=0.10		
	H349003520	Şim, Zamanlayıcı	Shim, Timer	AR	T=0.30		
	H349003521	Şim, Zamanlayıcı	Shim, Timer	AR	T=0.40		
	H349003522	Şim, Zamanlayıcı	Shim, Timer	AR	T=0.50		
	H349003523	Şim, Zamanlayıcı	Shim, Timer	AR	T=0.70		
	H349003524	Şim, Zamanlayıcı	Shim, Timer	AR	T=1.00		
07383C	H259001372	Şim, Zamanlayıcı	Shim, Timer	AR	T=0.10		
	H259001373	Şim, Zamanlayıcı	Shim, Timer	AR	T=0.30		
	H259001374	Şim, Zamanlayıcı	Shim, Timer	AR	T=0.40		
	H259001375	Şim, Zamanlayıcı	Shim, Timer	AR	T=0.50		
	H259001376	Şim, Zamanlayıcı	Shim, Timer	AR	T=0.70		
	H259001377	Şim, Zamanlayıcı	Shim, Timer	AR	T=1.00		
07384	H259001378	Segman, Zamanlayıcı	Snap Ring, Timer	4			
07385	H259001379	Yay, Zamanlayıcı	Spring, Timer	4			
07385B	H259001380	Yay, Zamanlayıcı	Spring, Timer	4			
07387	H259001381	Pul, Zamanlayıcı	Washer, Timer	1			

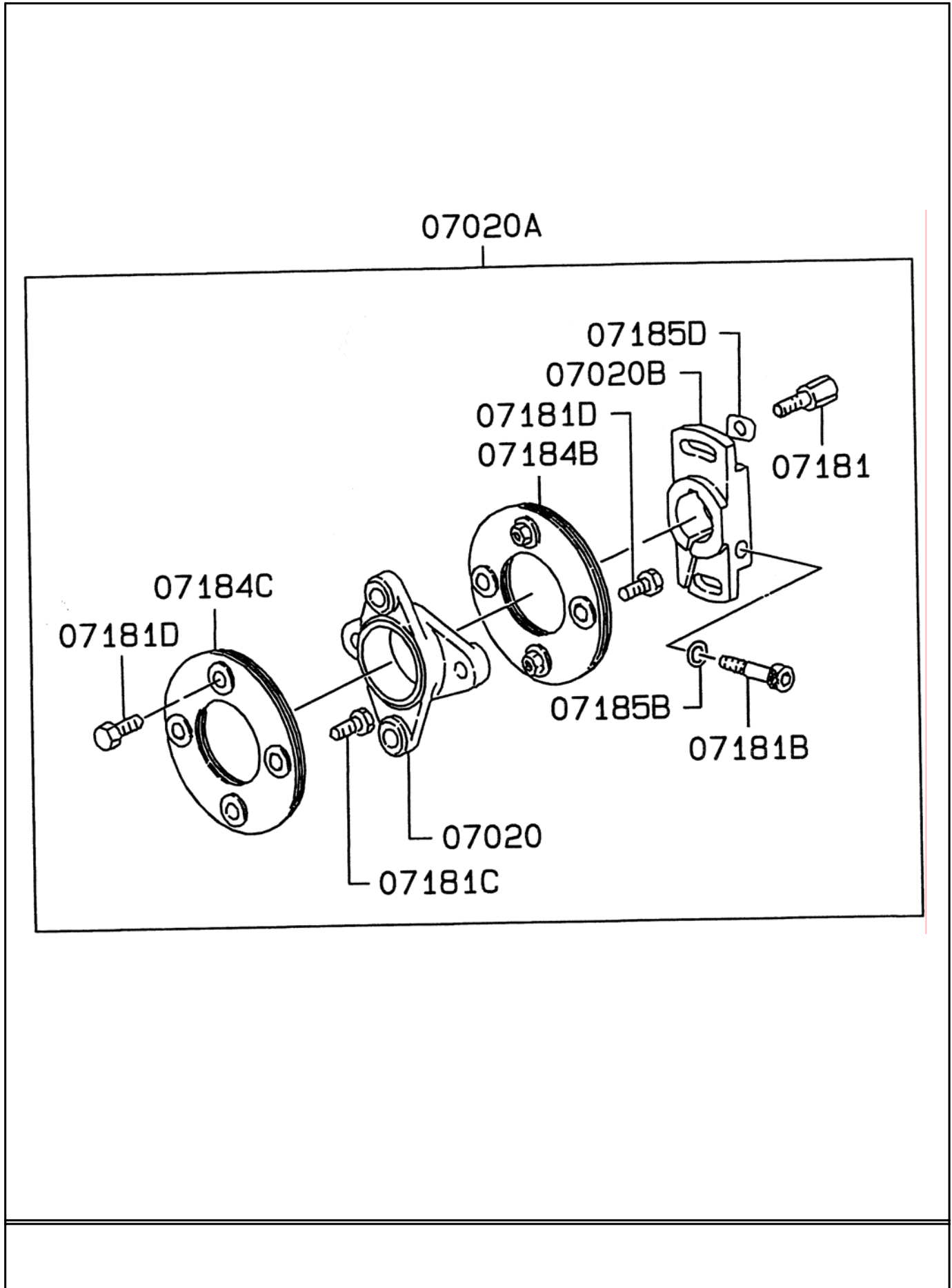
YAKIT BESLEME POMPASI FUEL FEED PUMP



YAKIT BESLEME POMPASI
FUEL FEED PUMP

No No	Parça No Part No	Adı	Description	Adet Q'ty	Not Note	Seri No Serial No	Y. Kul. ICA	S.K. S.C.
07010	H259001382	Pompa, Enjeksiyon Pom. Yakıt Besleme	Pump, Injection Pump Fuel Feed	1				
07010A	H259001262	Pompa Komp., Enj. Pom. Yakıt Besleme	Pump Ass'y, Inj. Pump Fuel Feed	1				
07305B	H349003543	Cıvata, Bes. Pomp.	Eyebolt, Feed Pump	1				
07305C	H349003296	Cıvata, Bes. Pomp.	Eyebolt, Feed Pump	1				
07307B	H259001384	Conta, Bes. Pomp.	Gasket, Feed Pump	1				
07307C	H259001385	Conta, Bes. Pomp.	Gasket, Feed Pump	1				
07307D	H349003302	Conta, Bes. Pomp.	Gasket, Feed Pump	4				
07309	H259001386	Gövde, Bes. Pomp.	Housing, Feed Pump	1				
07313	H349003548	O-Ring, Bes. Pomp.	O-Ring, Feed Pump	1				
07315	H259001387	Piston, Bes. Pomp.	Piston, Feed Pump	1				
07316B	H349003550	Tapa, Bes. Pomp.	Plug, Feed Pump	1				
07316C	H259001388	Tapa, Bes. Pomp.	Plug, Feed Pump	1				
07321	H259001389	Segman, Bes. Pomp.	Snap Ring, Fd. Pump	1				
07322B	H349003552	Yay, Bes. Pomp.	Spring, Feed Pump	2				
07322C	H349003553	Yay, Bes. Pomp.	Spring, Feed Pump	1				
07325	H259001390	İtici, Bes. Pomp.	Tappet, Feed Pump	1				
07326	H259001391	Valf, Bes. Pomp.	Valve, Feed Pump	2				

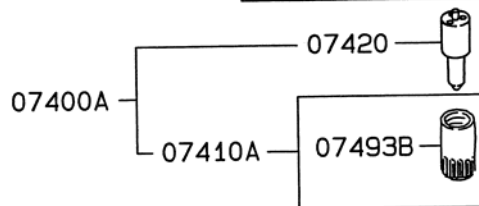
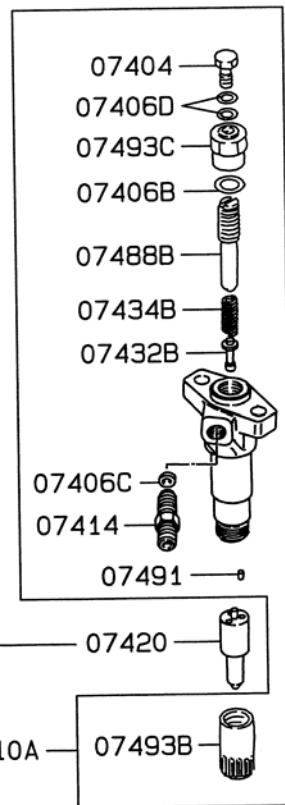
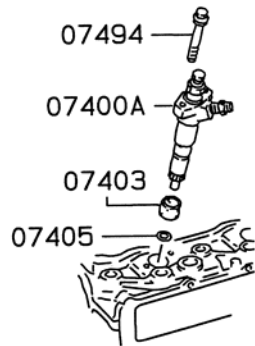
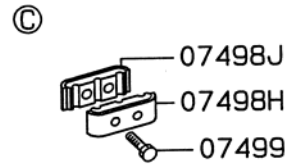
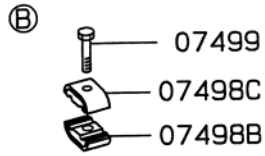
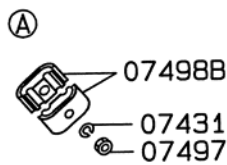
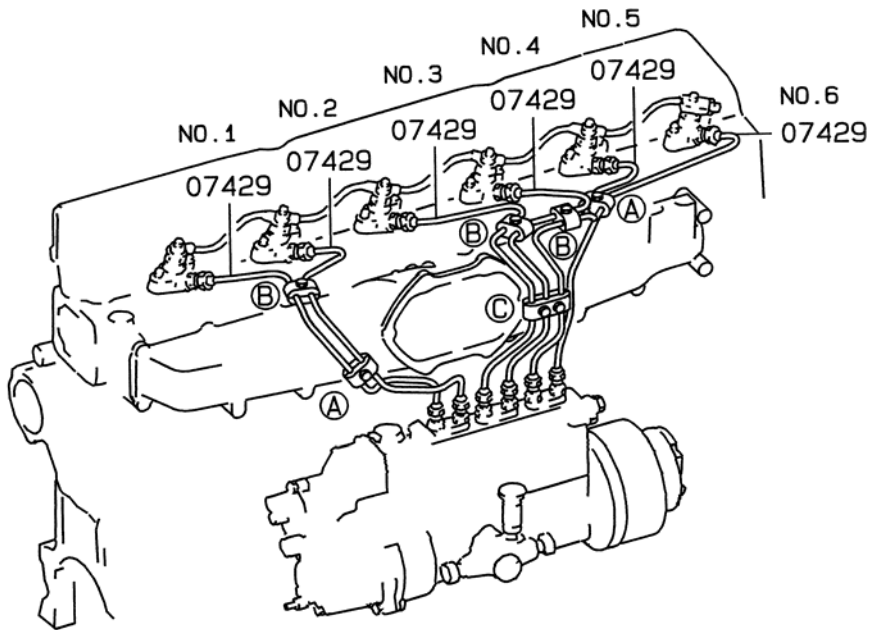
ENJEKSİYON POMPASI BAĞLANTISI
INJECTION PUMP COUPLING



ENJEKSİYON POMPASI BAĞLANTISI
INJECTION PUMP COUPLING

No No	Parça No Part No	Adı	Description	Adet Q'ty	Not Note	Seri No Serial No	Y. Kul. S.K. ICA S.C.
07020	H259001392	Bağlantı Elmn., Enj. P.	Coupling, Inj. Pump	1			
07020A	H259001266	Bağlantı Elmn. Komp.	Coupling Ass'y, Inj. P.	1			
07020B	H259001394	Bağlantı Elmn., Enj. P.	Coupling, Inj. Pump	1			
07181	H259001395	Cıvata, Bağlantı El.	Bolt, Inj. Pump Coup.	2			
07181B	H259001396	Cıvata, Bağlantı El.	Bolt, Inj. Pump Coup.	1			
07181C	H259001397	Cıvata, Bağlantı El.	Bolt, Inj. Pump Coup.	2			
07181D	H259001398	Cıvata, Bağlantı El.	Bolt, Inj. Pump Coup.	4			
07184B	H259001399	Bağlantı Plakası	Plate, Inj. Pump Coup.	1			
07184C	H259001400	Bağlantı Plakası	Plate, Inj. Pump Coup.	1			
07185B	H259001401	Pul, Bağlantı Elemanı	Washer, Inj. P. Coup.	1			
07185D	H259001402	Pul, Bağlantı Elemanı	Washer, Inj. P. Coup.	2			

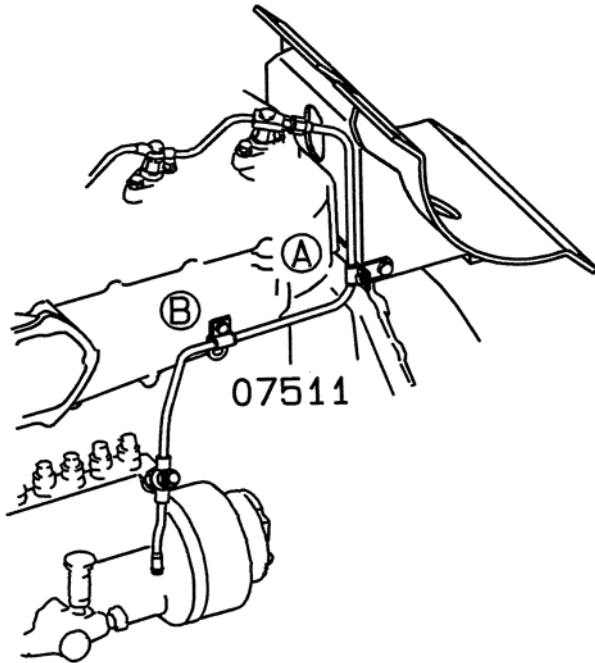
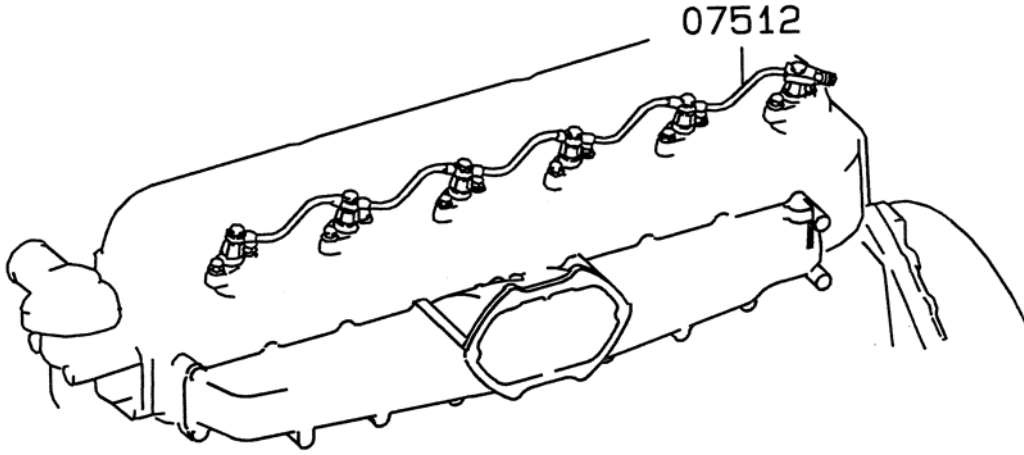
YAKIT ENJEKSİYON TESİSATI VE NOZULU INJECTION PIPE AND NOZZLE



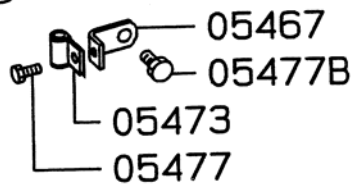
YAKIT ENJEKSİYON TESİSATI VE NOZULU INJECTION PIPE AND NOZZLE

No No	Parça No Part No	Adı Description	Adet Q'ty	Not Note	Seri No Serial No	Y. Kul. S.K. ICA S.C.
07400A	H259001403	Nozul ve Tutucu Komp.	Nozzle&Holder Ass'y	6		
07403	H259001404	Toz Keçesi, Noz. Tutucu	Dust Seal, Noz. Holder	6		
07404	H259001405	Cıvata, Nozul	Eyebolt, Nozzle	6		
07405	H259001406	Conta, Nozul	Gasket, Nozzle	6		
07406B	H259001407	Conta, Nozul	Gasket, Nozzle	6		
07406C	H259001408	Conta, Nozul	Gasket, Nozzle	6		
07406D	H259001409	Conta, Nozul	Gasket, Nozzle	12		
07410A	H259001410	Tutucu Komp., Nozul	Holder Ass'y, Nozzle	6		
07414	H259001411	Bağlantı Elemanı, Tut.	Joint, Inj. Noz. Holder	6		
07420	H259001412	Yakıt Enjek. Nozulu	Nozzle, Fuel Inj.	6		
07429	H259001413	Yakıt Enjek. Tüpü	Tube, Fuel Injection	1	6.35x2.0x470 No:1	
	H259001414	Yakıt Enjek. Tüpü	Tube, Fuel Injection	1	6.35x2.0x470 No:2	
	H259001415	Yakıt Enjek. Tüpü	Tube, Fuel Injection	1	6.35x2.0x470 No:3	
	H259001416	Yakıt Enjek. Tüpü	Tube, Fuel Injection	1	6.35x2.0x470 No:4	
	H259001417	Yakıt Enjek. Tüpü	Tube, Fuel Injection	1	6.35x2.0x470 No:5	
	H259001418	Yakıt Enjek. Tüpü	Tube, Fuel Injection	1	6.35x2.0x490 No:6	
07431	H349003567	Pul, Yakıt Enj. Borusu	Washer, Fuel Inj. Tube	2		
07432B	H259001419	İtici Pim, Tutucu	Push Rod, Holder	6		
07434B	H259001420	Yay, Nozul Tutucu	Spring, Nozzle Holder	6		
07488B	H259001421	Vida, Nozul	Screw, Nozzle	6		
07491	H259001422	Pim, Nozul	Pin, Nozzle	12		
07493B	H259001423	Somun, Nozul	Nut, Nozzle	6		
07493C	H259001424	Somun, Nozul	Nut, Nozzle	6		
07494	H259001425	Cıvata, Nozul	Bolt, Nozzle	12	8x64	
07497	H349003589	Somun, Yak. Enj. Tüpü	Nut, Fuel Inj. Tube	2	6	
07498B	H349003590	Kelepçe, Yak. Enj. Tüpü	Clamp, Fuel Inj. Tube	7		
07498C	H259001426	Kelepçe, Yak. Enj. Tüpü	Clamp, Fuel Inj. Tube	3		
07498H	H349003591	Kelepçe, Yak. Enj. Tüpü	Clamp, Fuel Inj. Tube	1		
07498J	H349003592	Kelepçe, Yak. Enj. Tüpü	Clamp, Fuel Inj. Tube	1		
07499	H349003270	Cıvata, Yakıt Enj. Boru.	Nut, Fuel Inj. Tube	5		

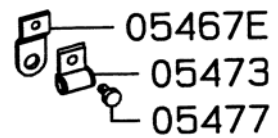
YAKIT DÖNÜŞ HORTUMU FUEL RETURN HOSE



Ⓐ



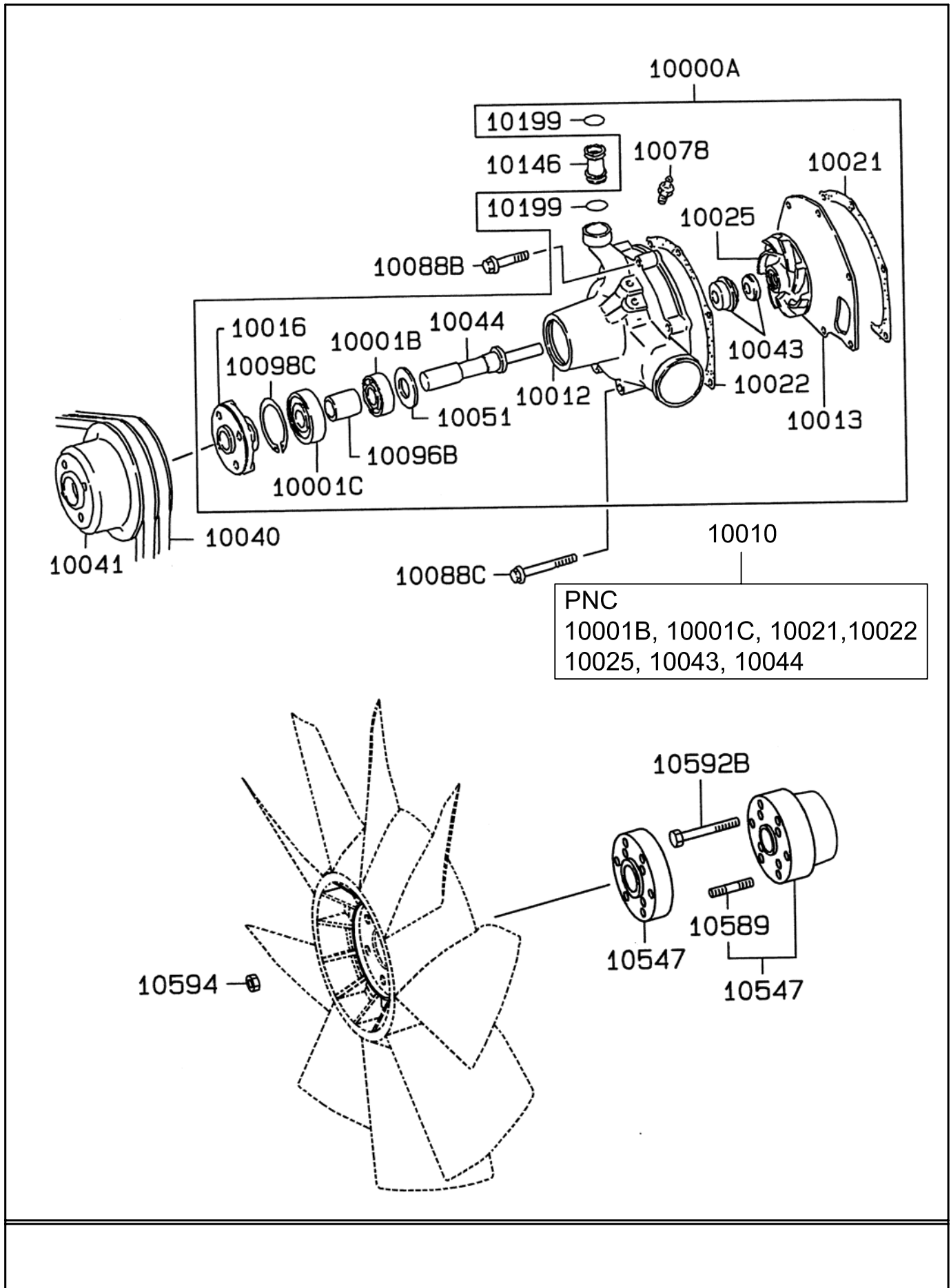
Ⓑ



YAKIT DÖNÜŞ HORTUMU
FUEL RETURN HOSE

No	Parça No	Adı	Description	Adet	Not	Seri No	Y. Kul. S.K.
No	Part No			Q'ty	Note	Serial No	ICA S.C.
05467	H259001427	Tesisat Askısı, Dön. H.	Stay, Fuel Return Line	1			
05467E	H259001428	Tesisat Askısı, Dön. H.	Stay, Fuel Return Line	1			
05473	H259001429	Klips, Yakıt Dönüş Hat.	Clip, Fuel Return Line	13			
05477	H349003668	Cıvata, Dönüş Hattı	Bolt, Fuel Return Line	2	6x12		
05477B	H259001167	Cıvata, Dönüş Hattı	Bolt, Fuel Return Line	1	8x12		
07511	H259001431	Boru, Yakıt Dönüş	Tube, Fuel Return	1			
07512	H259001432	Boru, Yakıt Dönüş	Tube, Fuel Return	1			

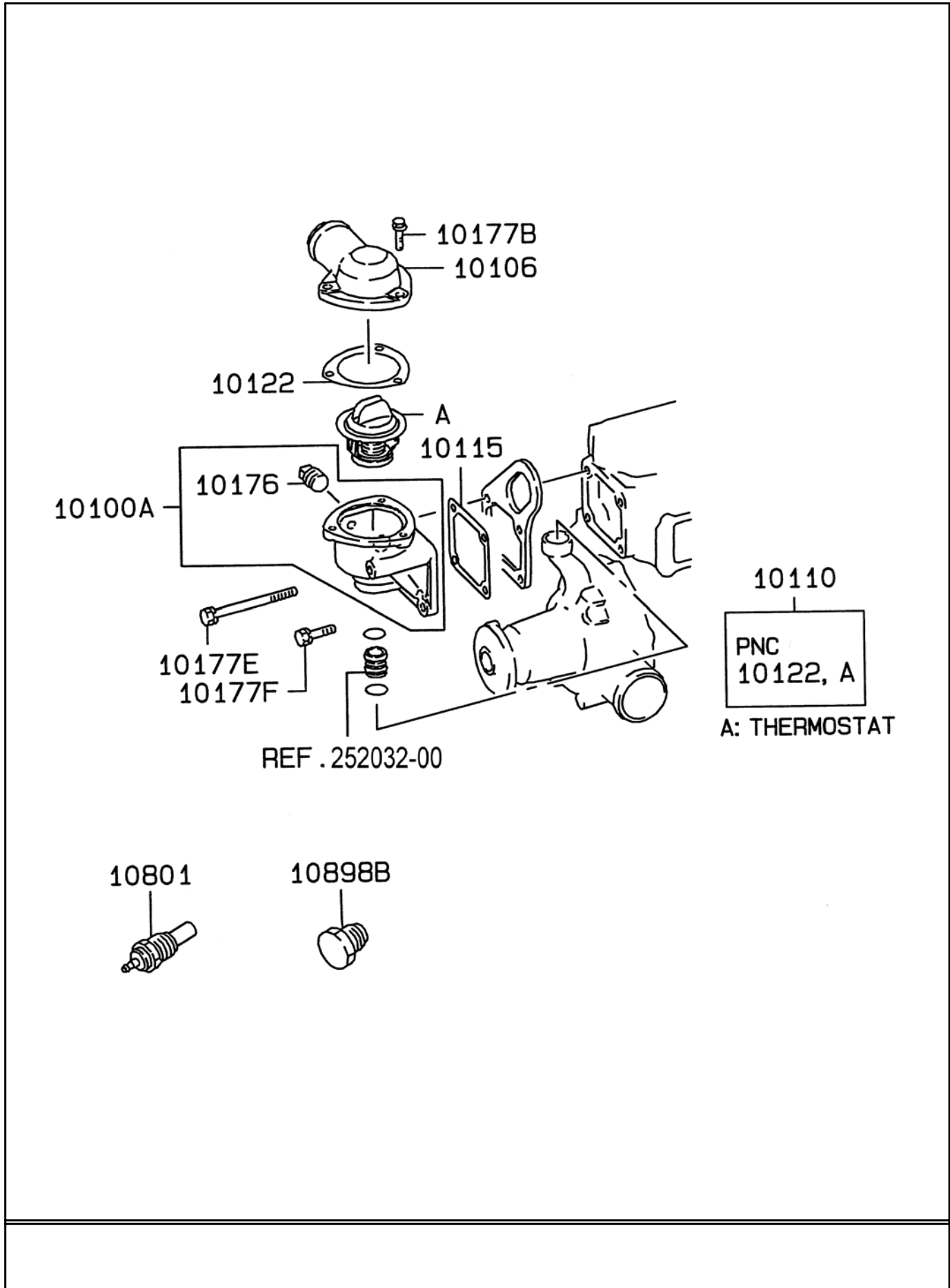
SU POMPASI VE FAN MONTAJI
WATER PUMP AND FAN MOUNTING



SU POMPASI VE FAN MOTAJI
WATER PUMP AND FAN MOUNTING

No No	Parça No Part No	Adı	Description	Adet Q'ty	Not Note	Seri No Serial No	Y. Kul. S.K. ICA S.C.
10000A	H259001433	Su Pompası Komp.	Water Pump Ass'y	1			
10001B	H349003602	Rulman, Su Pomp.	Bearing, Water Pump	1			
10001C	H349003601	Rulman, Su Pomp.	Bearing, Water Pump	1			
10010	H259001434	Su Pompası KİTİ	Water Pump KIT	1			
10012	H259001435	Gövde, Su Pompası	Case, Water Pump	1			
10013	H259001436	Kapak, Su Pompası	Cover, Water Pump	1			
10016	H349003605	Flanş, Kasnak	Flange, Pulley Drive	1			
10021	H259001437	Conta, Su Pompası	Gasket, Water Pump	1			
10022	H259001438	Conta, Su Pom. Gövde	Gasket, W. Pmp. Case	1			
10025	H259001439	Pervane	Impeller	1			
10040	H259001440	Kayış	Belt, Alternator-Others	1			
10041	H259001441	Kasnak, Su Pompası	Pulley, Water Pump	1			
10043	H259001442	Sızdırmazlık Elemanı	Seal Unit, Pump Shaft	1			
10044	H259001443	Şaft, Su Pompası	Shaft, Water Pump	1			
10051	H349003610	Boşluk Pulu, Pompa İç	Thrust Washer, P. INR	1			
10078	H349003612	Gresörlük	Nipple, Pump INR	1			
10088B	H259001075	Cıvata	Bolt, Water Pump	6	8x45		
10088C	H349003152	Cıvata	Bolt, Water Pump	1	8x75		
10096B	H349003615	Mesafe Burcu	Spacer, Water P. INR	1			
10098C	H349003616	Segman	Snap Ring	1			
10146	H259001445	Boru, Term. By-Pass	Pipe, Therm. By-Pass	1			
10199	H349003636	O-Ring, Su Soğutma	O-Ring, Cool. Water	2			
10547	H349003618	Ara Levhası, Fan	Spacer, Fan	1	T=24		
	H349003619	Ara Levhası, Fan	Spacer, Fan	1	T=91.5		
10589	H349003620	Saplama, Fan	Stud, Fan	6			
10592B	H349003621	Cıvata, Fan	Bolt, Fan	4			
10594	H349003281	Somun, Fan	Nut, Fan	6			

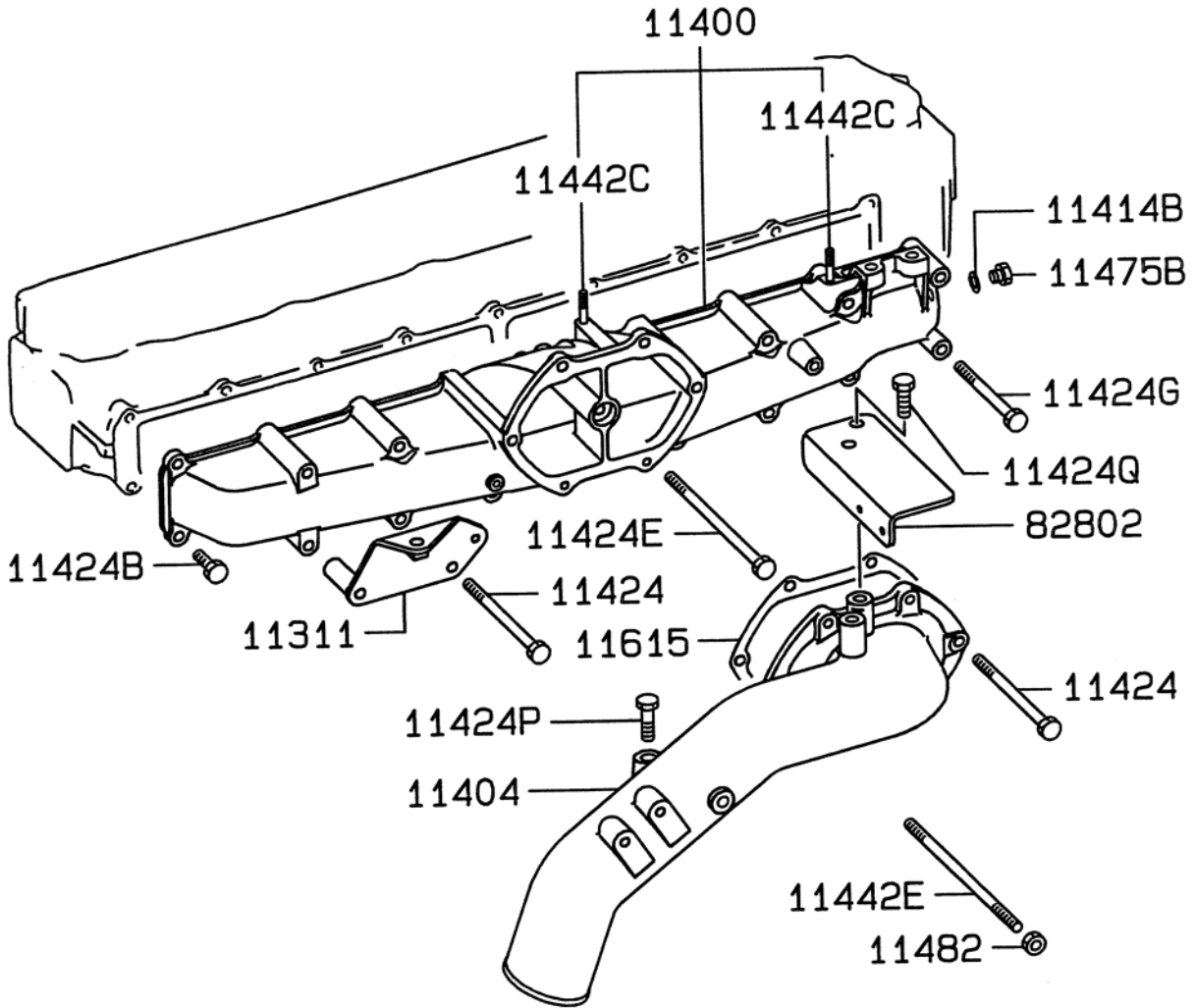
TERMOSTAT VE BAĞLANTISI WATER PIPE AND THERMOSTAT



TERMOSTAT VE BAĞLANTISI
WATER PIPE AND THERMOSTAT

No No	Parça No Part No	Adı	Description	Adet Q'ty	Not Note	Seri No Serial No	Y. Kul. S.K. ICA S.C.
10100A	H259001446	Koruyucu Gövde	Case Ass'y, Therm.	1			
10106	H259001447	Kapak	Cover, Thermostat	1			
10110	H259001448	Termostat Kiti	Thermostat KIT	1			
10115	H259001170	Conta, Term.-Silindir	Gasket, Thr.-Cylinder	1			
10122	H259001450	Conta, Term. Kapağı	Gasket, Thr. Cover	1			
10176	H259001451	Tapa, Termostat	Plug, Thermostat	1			
10177B	H349003219	Cıvata, Termostat	Bolt, Thermostat	3	8x25		
10177E	H259001452	Cıvata, Termostat	Bolt, Thermostat	2	10x105		
10177F	H259001453	Cıvata, Termostat	Bolt, Thermostat	2	10x30		
10801	H259001454	Hararet Müşiri	Gauge Unit, Water Temperature	1			
10898B	H349003638	Tapa, Ölçer	Plug, Gauge	2			

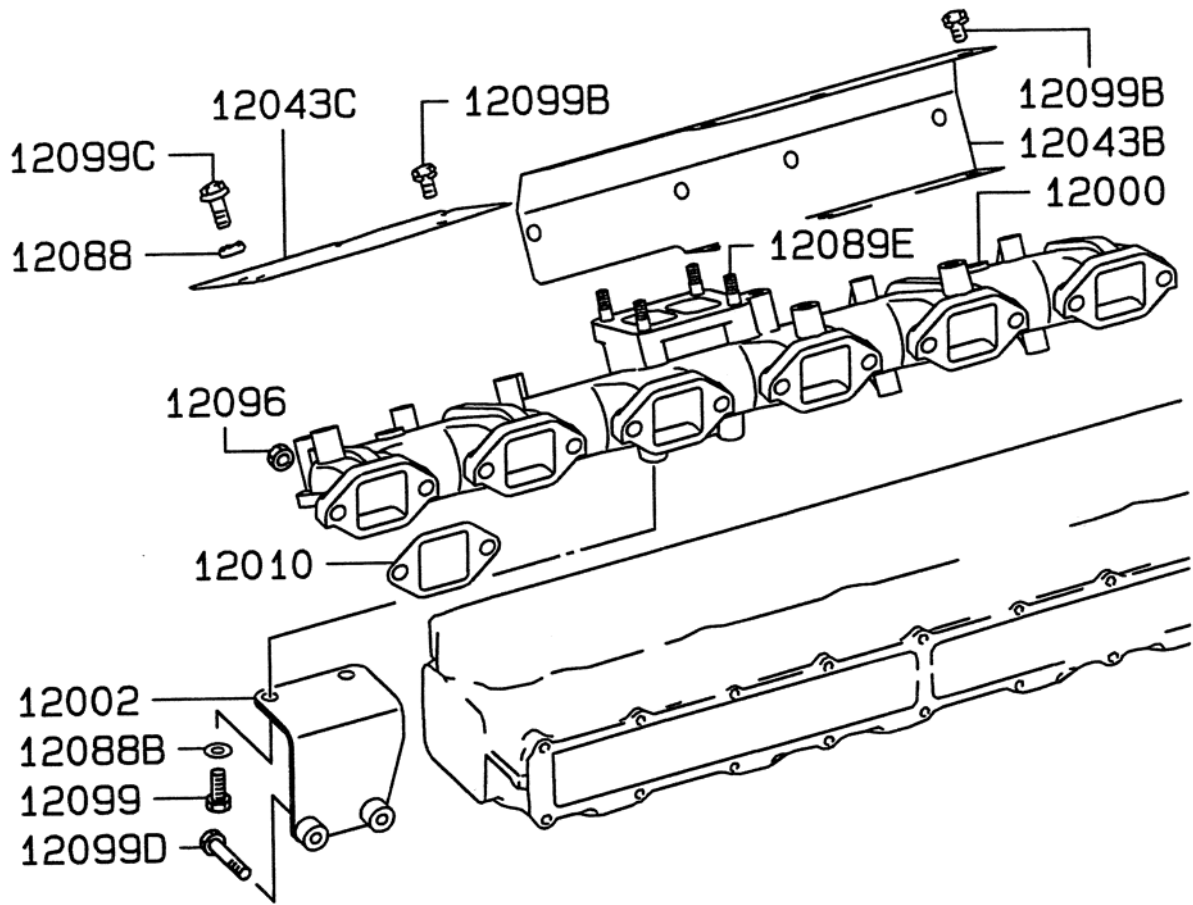
GİRİŞ MANİFOLDU INLET MANIFOLD



GİRİŞ MANİFOLDU INLET MANIFOLD

No No	Parça No Part No	Adı	Description	Adet Q'ty	Not Note	Seri No Serial No	Y. Kul. S.K. ICA S.C.
11311	H259001455	Braket, Hava Giriş Hor.	Bracket, Air In. Pipe	1			
11400	H259001456	Giriş Manifoldu	Manifold, Inlet	1			
11404	H259001457	Bağlantı, Grş. Mnf.	Coupling, In. Manifold	1			
11414B	H349003215	Conta, Gir Manifoldu	Gasket, In. Manifold	1			
11424	H259001458	Cıvata, Grş. Mnf., No1	Bolt, In. Manifold No1	3	8x138		
	H349003219	Cıvata, Grş. Mnf., No1	Bolt, In. Manifold No1	2	8x25		
	H349003076	Cıvata, Grş. Mnf., No1	Bolt, In. Manifold No1	2	8x30		
	H349003154	Cıvata, Grş. Mnf., No1	Bolt, In. Manifold No1	1	8x55		
	H349003221	Cıvata, Grş. Mnf., No1	Bolt, In. Manifold No1	6	8x90		
11424B	H349003172	Cıvata, Grş. Mnf., No1	Bolt, In. Manifold No1	2	8x20		
11424E	H259001459	Cıvata, Grş. Mnf., No1	Bolt, In. Manifold No1	1	8x120		
11424G	H259001259	Cıvata, Grş. Mnf., No1	Bolt, In. Manifold No1	4	8x70		
11424P	H349003265	Cıvata, Grş. Mnf., No1	Bolt, In. Manifold No1	1	10x25		
11424Q	H259001461	Cıvata, Grş. Mnf., No1	Bolt, In. Manifold No1	2	10x60		
11442C	H259001462	Saplama, Grş. Mnf.	Stud, Inlet Manifold	2	6x30		
11442E	H259001463	Saplama, Grş. Mnf.	Stud, Inlet Manifold	1	8x151		
11475B	H349003204	Tapa, Grş. Manifoldu	Plug, Inlet Manifold	1			
11482	H349003697	Somun, Grş. Mnf.	Nut, Inlet Manifold	1	8		
11615	H259001464	Conta, Grş. Hava Isıt.	Gasket, In. Air Heater	1			
82802	H259001465	Braket	Bracket	1			

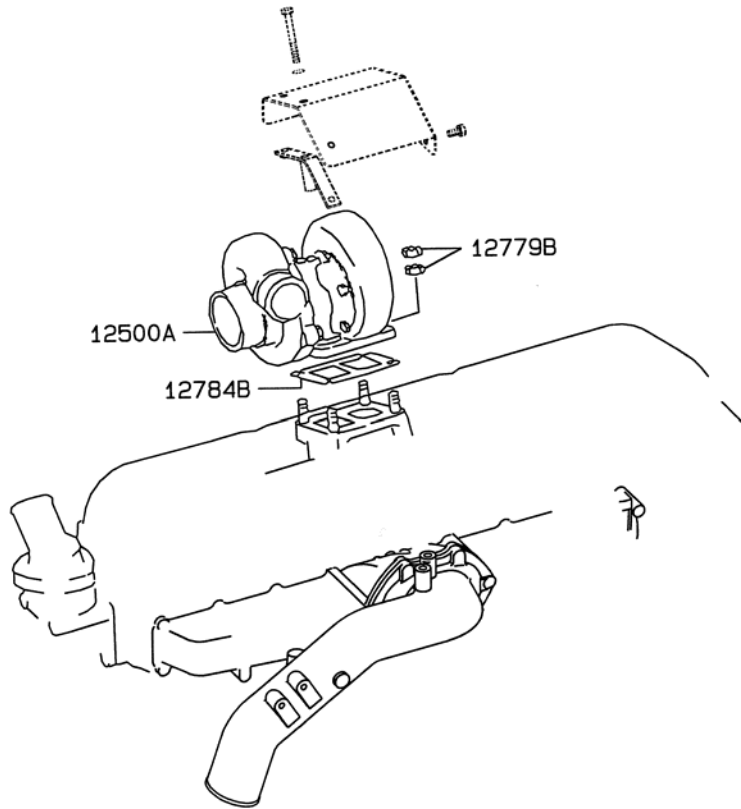
EGZOZ MANİFOLDU EXHAUST MANIFOLD



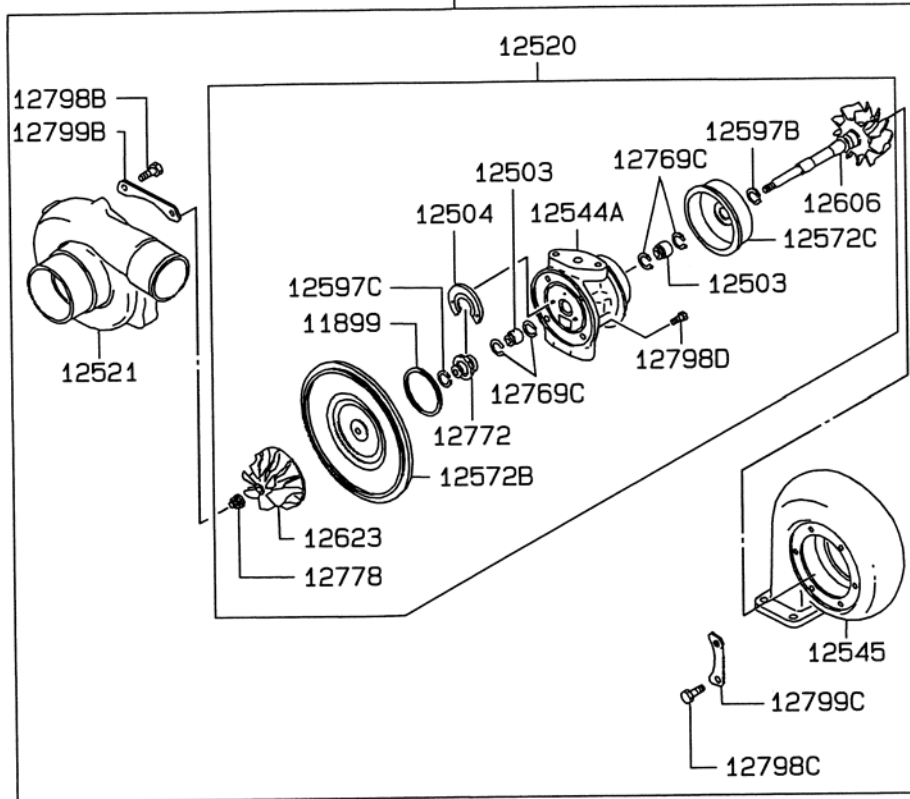
EGZoz MANİFOLDU
EXHAUST MANIFOLD

No No	Parça No Part No	Adı	Description	Adet Q'ty	Not Note	Seri No Serial No	Y. Kul. S.K. ICA S.C.
12000	H259001466	Egzoz Manifoldu	Manifold, Exhaust	1			
12002	H259001467	Braket, Eg. Manifoldu	Bracket, Ex. Manifold	1			
12010	H259001468	Conta, Egzoz Mnf.	Gasket, Exhaust Mnf.	6			
12043B	H259001469	Yalıtıcı Sac, Mnf. Isı	Insulator, Ex. Mnf. Heat	1			
12043C	H259001470	Yalıtıcı Sac, Mnf. Isı	Insulator, Ex. Mnf. Heat	1			
12088	H349003719	Pul, Eg. Manifoldu	Washer Pln, Ex. Mnf.	2	10,5		
12088B	H259001471	Pul, Eg. Manifoldu	Washer Pln, Ex. Mnf.	2	10		
12089E	H259001472	Saplama, Egzoz Mnf.	Stud, Exhaust Mnf.	4	10x25		
12096	H349003652	Somun, Egzoz Mnf.	Nut, Exhaust Mnf.	12	10		
12099	H259001473	Cıvata, Eg. Manifoldu	Bolt, Ex. Mnf.	2	10x20		
12099B	H259001474	Cıvata, Eg. Manifoldu	Bolt, Ex. Mnf.	11	8x12		
12099C	H259001473	Cıvata, Eg. Manifoldu	Bolt, Ex. Mnf.	2	10x20		
12099D	H259001070	Cıvata, Eg. Manifoldu	Bolt, Ex. Mnf.	2	8x35		

TURBOŞARJ TURBOCHARGER



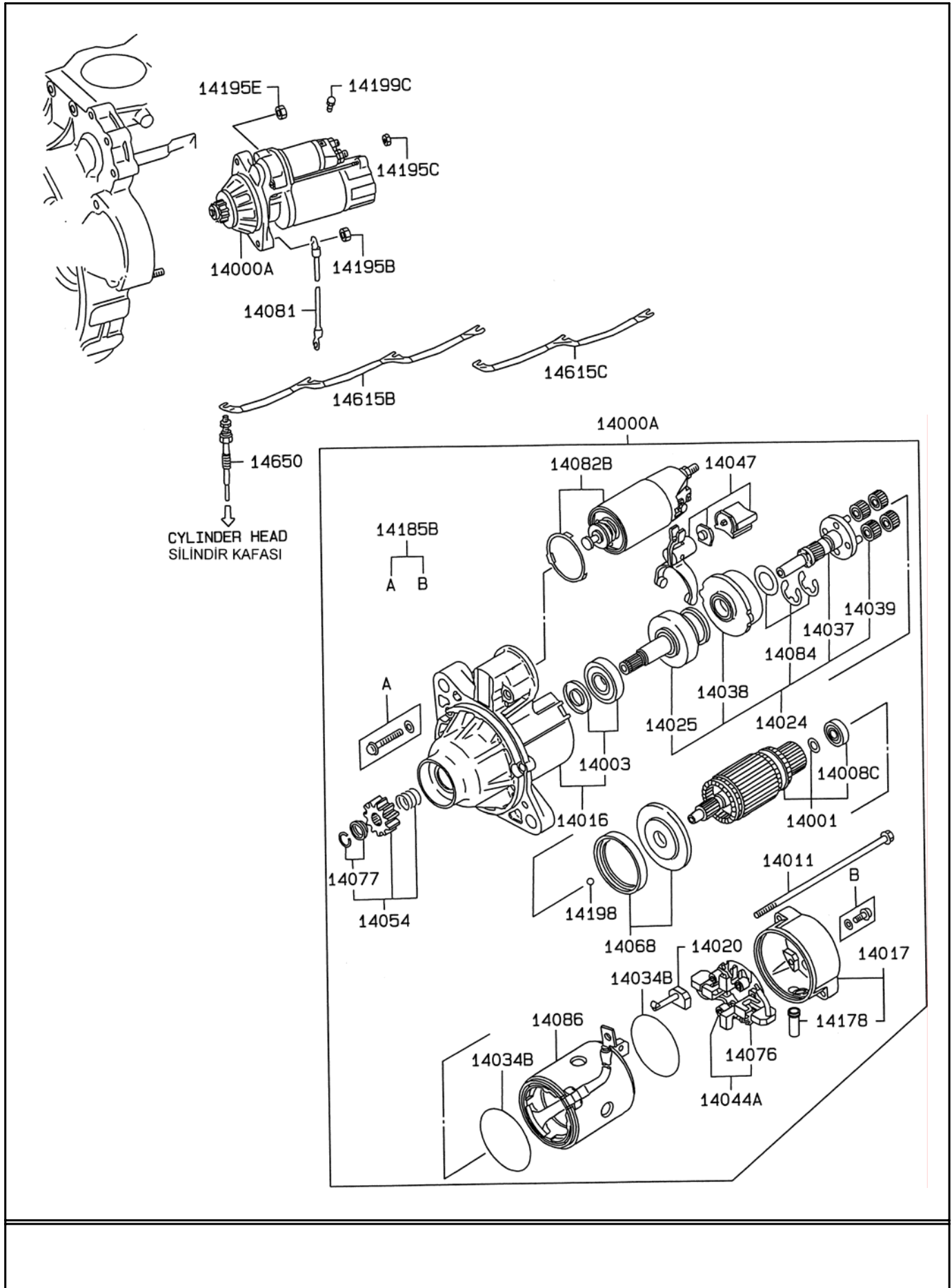
12500A



TURBOŞARJ TURBOCHARGER

No No	Parça No Part No	Adı	Description	Adet Q'ty	Not Note	Seri No Serial No	Y. Kul. S.K. ICA S.C.
11899	H259001477	Sızdırmazlık El., Turbo	Seal Ring, Turbochrg.	1			
12500A	H259001478	Turboşarj Kompleksi	Turbocharger Ass'y	1			
12503	H259001479	Yatak, Turbo. Şaftı	Bearing, T/C Shaft	2			
12504	H259001480	Yatak, İtme, Turboşarj	Thrust Bearing, T/C	1			
12520	H259001481	Kartuş, Turboşarj	Cartridge, T/C	1			
12521	H259001482	Kapak, Trbş Kompresör	Cover, T/C Compressor	1			
12544A	H259001483	Gövde Komp., Yatak	Housing Ass'y, Bearing	1			
12545	H259001484	Gövde, Trbş. Türbin	Housing, T/C Turbine	1			
12572B	H259001485	Türbin Arka Plakası	Plate, T/C Turbine Back	1			
12572C	H259001486	Türbin Arka Plakası	Plate, T/C Turbine Back	1			
12597B	H259001487	Ring, Turbin Pistonu	Ring, Turbine Piston	1			
12597C	H259001488	Ring, Turbin Pistonu	Ring, Turbine Piston	1			
12606	H259001489	Şaft ve Türbin	Shaft&Turbine, T/C	1			
12623	H259001490	Teker, Tur. Kompresör	Wheel, T/C Compressor	1			
12769C	H259001491	Segman, Trbş. Giriş	Snap Ring, T/C INR	1			
12772	H259001492	Ara Parça, Trbş. Giriş	Collar, T/C INR	1			
12778	H259001493	Somun, Turbş.	Nut, T/C	1			
12779B	H349003652	Somun, Turbş.	Nut, T/C	4	10		
12784B	H259001494	Conta, Turbo	Gasket, Turbocharger	1			
12798B	H259001495	Cıvata, Trbş., Grş.	Bolt, T/C, INR	6			
12798C	H259001496	Cıvata, Trbş., Grş.	Bolt, T/C, INR	6			
12798D	H259001497	Cıvata, Trbş., Grş.	Bolt, T/C, INR	4			
12799B	H259001498	Kelepçe, Turboşarj	Clamp, T/C	2			
12799C	H259001499	Kelepçe, Turboşarj	Clamp, T/C	3			

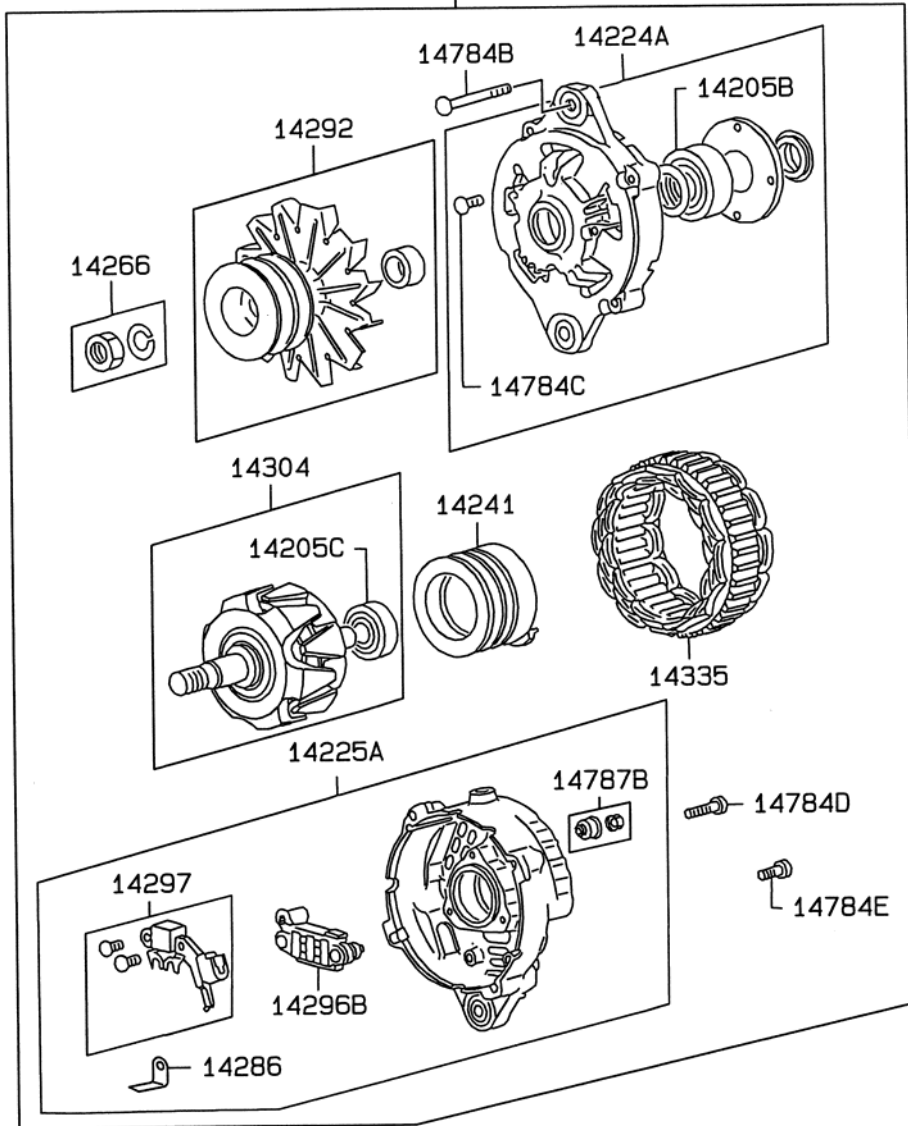
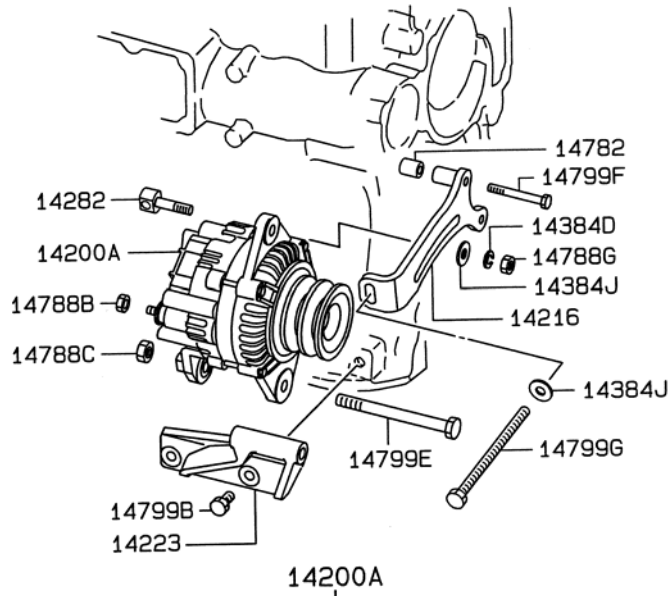
MARŞ MOTORU STARTER



MARŞ MOTORU STARTER

No No	Parça No Part No	Adı	Description	Adet Q'ty	Not Note	Seri No Serial No	Y. Kul. S.K. ICA S.C.
14000A	H259001500	Marş Motoru	Starter Ass'y	1			
14001	H259001501	Endüvi Kiti, Marş Mot.	Armature KIT, Starter	1			
14003	H259001502	Rulman ve Gömlek Kiti	Bearing&Sleeve KIT	1			
14008C	H349003673	Rulman, Endüvi	Bearing, Armature	1			
14011	H259001503	Cıvata Seti, Marş Mot.	Bolt Set, Starter	1			
14016	H259001504	Braket, Marş Mot., Ön	Bracket, Starter, FR	1			
14017	H259001505	Braket, Marş Mot., Ar.	Bracket, Starter, RR	1			
14020	H259001506	Dinamo Fırçası	Brush, Starter	2			
14024	H259001507	Kavrama Kiti	Clutch KIT, Starter Pinion & Reduction	1			
14025	H259001508	Kavrama, Marş Mot.	Clutch, Starter Overrun	1			
14034B	H259001509	Conta, Marş Mot. İç	Gasket, Starter INR	2			
14037	H349003680	Dişli, Marş. Mot. Redük.	Gear, Starter Reduc.	1			
14038	H259001510	Dişli, Redüktör İç	Gear, Redution INR	1			
14039	H349003682	Dişli, Redüktör Pinyon	Gear, Redution Pinion	4			
14044A	H259001511	Tutucu Komp., Din. Fırç.	Holder Ass'y, Brush	1			
14047	H259001512	Levy Kiti	Lever KIT, Str. Pinion	1			
14054	H259001513	Pinyon Kiti, Marş. Mot.	Pinion KIT, Starter	1			
14068	H349003686	Tamir Takımı	Gasket Set, Yoke	1			
14076	H259001514	Yay, Dinamo Fırçası	Spring, Starter Brush	4			
14077	H349003688	Durdurucu Kiti	Stopper KIT, Str. Pinion	1			
14081	H349003689	Kablo, Toprak	Strap, Earth	1			
14082B	H259001515	Sviç Kiti	Switch KIT, Starter Magnetic	1			
14084	H349003692	Pul Seti, Şaft	Washer Set, Shaft	1			
14086	H259001516	Saha Sargısı	Yoke, Starter	1			
14178	H349003694	Gromet	Grommet, Starter INR	1			
14185B	H259001517	Vida, Mrş. Motoru INR	Screw, Starter INR	1			
14195B	H259001518	Somun, Marş Motoru	Nut, Starter	1			
14195C	H349003697	Somun, Marş Motoru	Nut, Starter	1			
14195E	H259001518	Somun, Marş Motoru	Nut, Starter	1			
14198	H349003699	Bilya, Marş Mot. INR	Ball, Starter INR	1			
14199C	H259001084	Cıvata, Marş Motoru	Bolt, Starter	1	5x10		
14615B	H259001521	Anot, Kızdırma Bujisi	Plate, Glow Plug Conn.	1			
14615C	H259001522	Anot, Kızdırma Bujisi	Plate, Glow Plug Conn.	1			
14650	H259001523	Kızdırma Bujisi	Glow Plug	6			

ALTERNATÖR VE REGÜLATÖR ALTERNATOR AND REGULATOR

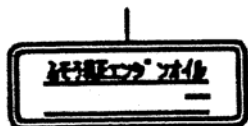


ALTERNATÖR VE REGÜLATÖR
ALTERNATOR AND REGULATOR

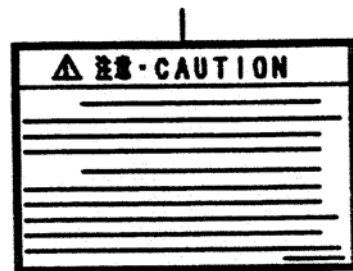
No No	Parça No Part No	Adı	Description	Adet Q'ty	Not Note	Seri No Serial No	Y. Kul. S.K. ICA S.C.
14200A	H259001524	Alternatör Komp.	Alternator Ass'y	1			
14205B	H349003705	Rulman, Alt. Rotoru	Bearing, Alt. Rotor	1			
14205C	H349003706	Rulman, Alt. Rotoru	Bearing, Alt. Rotor	1			
14216	H259001525	Destek, Alternatör	Brace, Alternator	1			
14223	H259001526	Braket, Alter. Montajı	Bracket, Alt. Mounting	1			
14224A	H349003708	Braket Komp., Ön	Bracket Ass'y, FR	1			
14225A	H259001527	Braket Komp., Arka	Bracket Ass'y, RR	1			
14241	H349003710	Bobin, Alt. Rotoru	Coil, Alternator Rotor	1			
14266	H349003711	Somun Kiti, Alt. Kasnak	Nut KIT, Alt. Pulley	1			
14282	H349003712	Rod, Alternatör Ayar	Rod, Alternator Adjust.	1			
14286	H349003713	Askı	Plate, Alt. RR Bracket	1			
14292	H259001528	Kasnak ve Fan Kiti, Alt.	Pulley & Fan KIT, Alt.	1			
14296B	H259001529	Rektifiye, Alternatör	Rectifier, Alternator	1			
14297	H349003716	Regülatör	Regulator	1			
14304	H349003717	Rotor Kiti, Alternatör	Rotor KIT, Alternator	1			
14335	H349003718	Statör, Alternatör	Stator, Alternator	1			
14384D	H349003720	Pul, Alternatör	Washer, Alternator	1			
14384J	H349003719	Pul, Alternatör	Washer, Alternator	2			
14782	H259001530	Mesafe Burcu	Spacer, Alternator	2			
14784B	H349003722	Vida, Alternatör, İç	Screw, Alternator, INR	1			
14784C	H349003723	Vida, Alternatör, İç	Screw, Alternator, INR	1			
14784D	H349003724	Vida, Alternatör, İç	Screw, Alternator, INR	1			
14784E	H349003725	Vida, Alternatör, İç	Screw, Alternator, INR	1			
14787B	H349003726	Somun, Alternatör, İç	Nut, Alternator, INR	1			
14788B	H349003727	Somun, Alternatör	Nut, Alternator	1			
14788C	H259001531	Somun, Alternatör	Nut, Alternator	1			
14788G	H349003729	Somun, Alternatör	Nut, Alternator	1			
14799B	H349003171	Cıvata, Alternatör	Bolt, Alternator	2	10x20		
14799E	H349003730	Cıvata, Alternatör	Bolt, Alternator	1	12x125		
14799F	H259001532	Cıvata, Alternatör	Bolt, Alternator	2	8x65		
14799G	H349003732	Cıvata, Alternatör	Bolt, Alternator	1			

**ETIKET
PLATE AND LABEL**

01912B



71720T

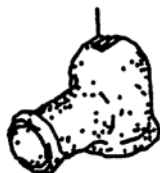


ETİKET
PLATE AND LABEL

No	Parça No	Adı	Description	Adet	Not	Seri No	Y. Kul. S.K.
No	Part No			Q'ty	Note	Serial No	ICA S.C.
01912B	H349003733	Etiket, Yağ Uyarı	Plate, Eng. Oil Caution	1			
71720T	H259001533	Etiket, Uyarı	Label, Caution	1			

MOTOR ELEKTRİK TESİSATI ELEMANLARI
CHASSIS HARNESS EQUIPMENT

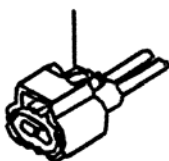
83353B



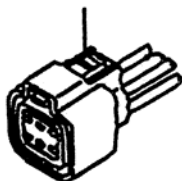
83498BF



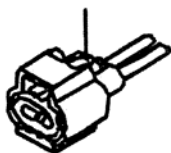
83498BG



83498BH



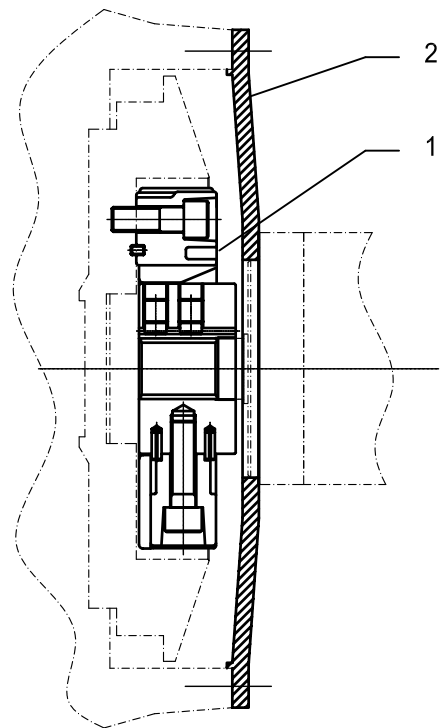
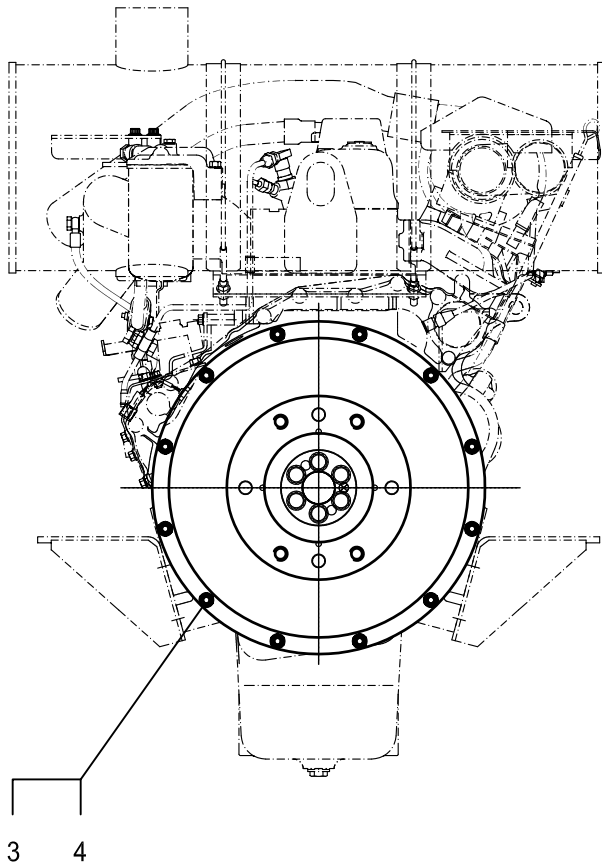
83498BS



MOTOR ELEKTRİK TESİSATI ELEMANLARI
CHASSIS HARNESS EQUIPMENT

No	Parça No	Adı	Adet	Not	Seri No	Y. Kul. S.K.
No	Part No	Description	Q'ty	Note	Serial No	ICA S.C.
83353B	H349003737	Plastik Kılıf	Grommet, Wiring	1		
83498BF	H259001534	Konnektör	Connector, Wiring	1		
83498BG	H349003738	Konnektör	Connector, Wiring	1		
83498BH	H349003739	Konnektör	Connector, Wiring	1		
83498S	H259001535	Konnektör	Connector, Wiring	1		

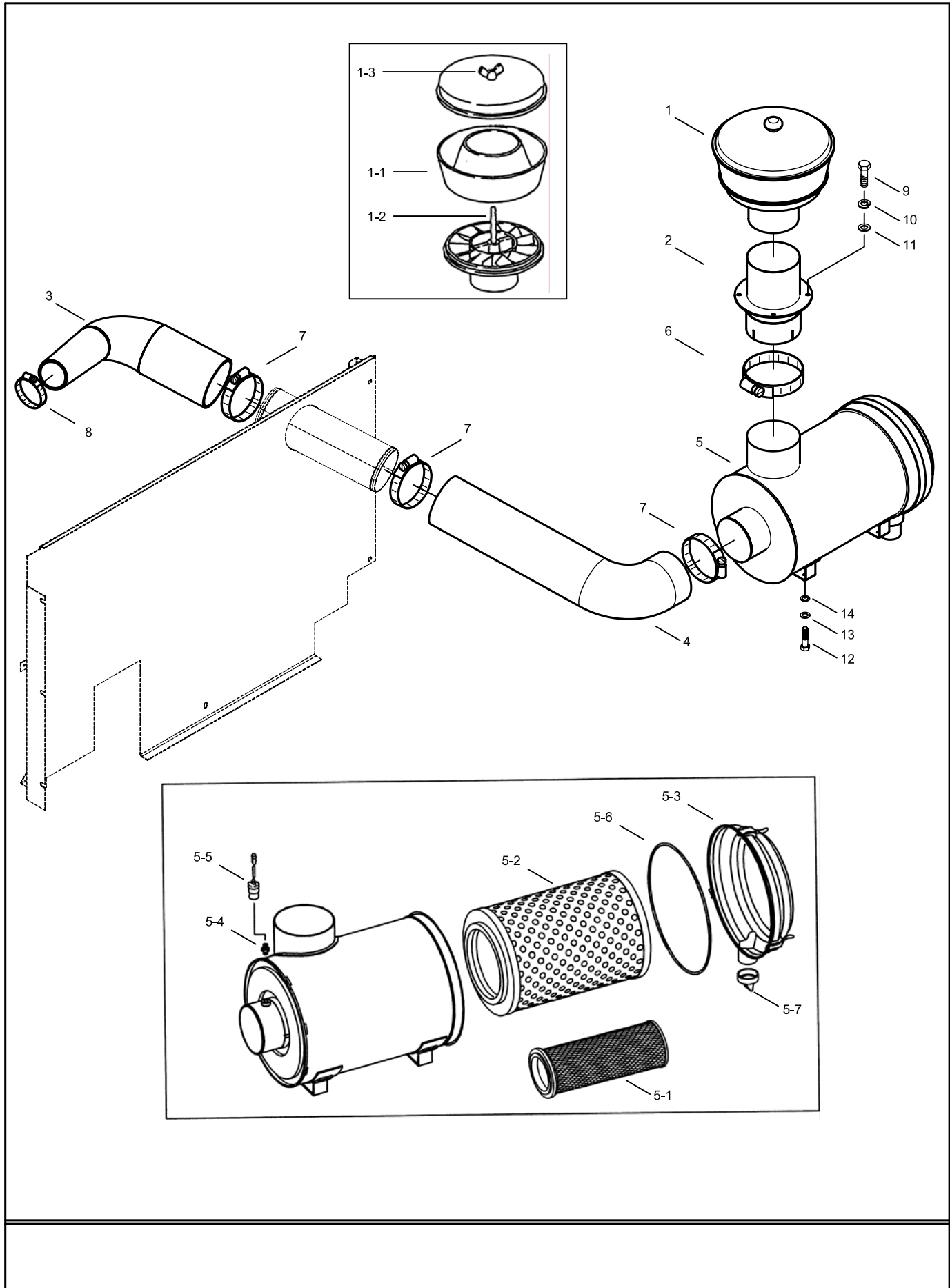
KAVRAMA MONTAJI COUPLING ASSEMBLY



KAVRAMA MONTAJI
COUPLING ASSEMBLY

No	Parça No	Adı	Adet	Not	Seri No	Y. Kul. S.K.
No	Part No	Description	Q'ty	Note	Serial No	ICA S.C.
1	H252100100	Kavrama	Coupling	1		
2	H252100200	Flanş, Volan Muh.	Cover, F/W Housing	1		
3	N01/0380626	A.K.B. Civata	Bolt, Hex	12	M10x35	
4	N03/1310011	Yaylı Rodela	Washer, Spr.	12	M10	

HAVA FİLTRESİ MONTAJI AIR INTAKE MOUNTING

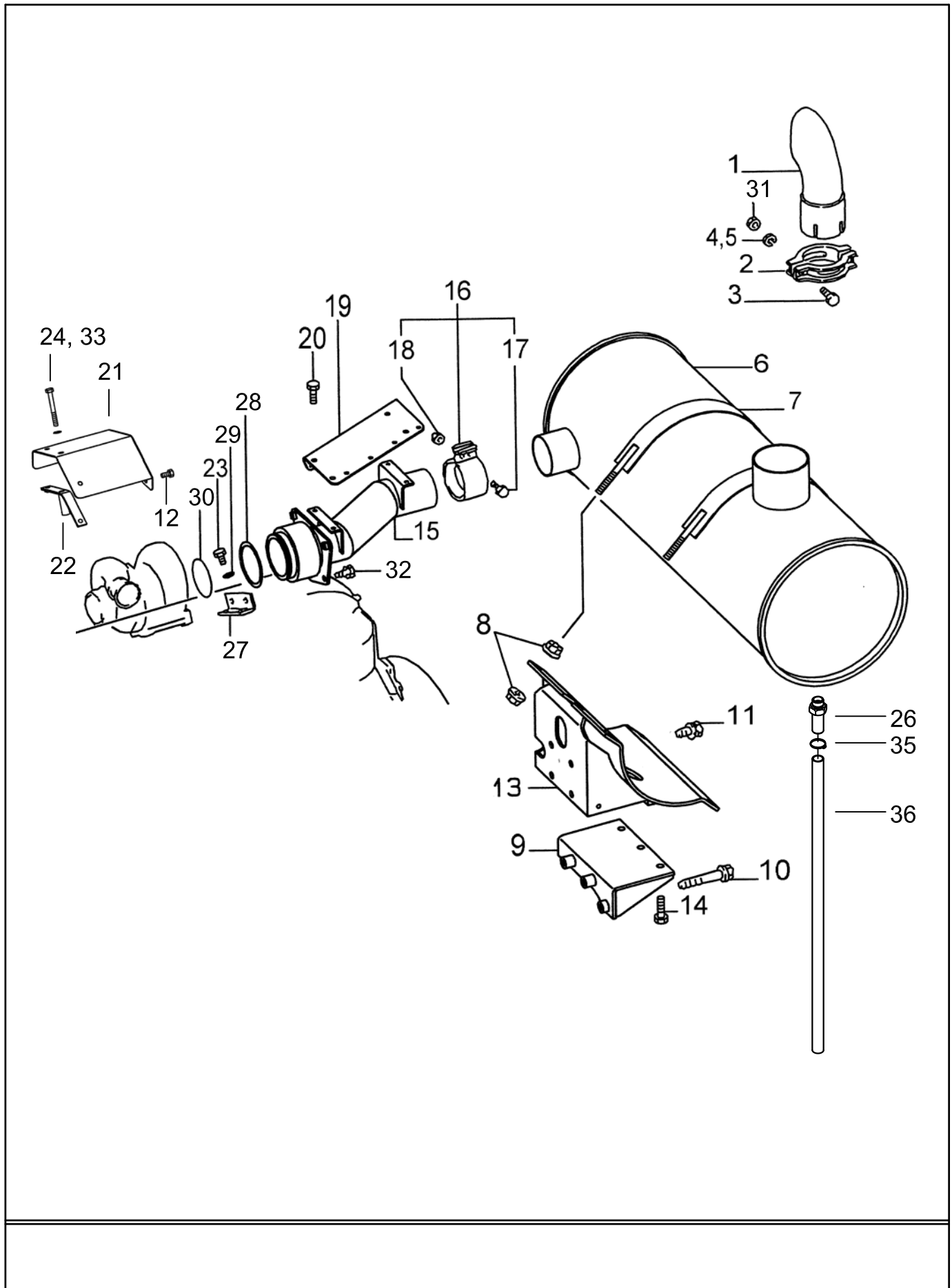


HAVA FİLTRESİ MONTAJI

AIR INTAKE MOUNTING

No	Parça No	Adı	Description	Adet	Not	Seri No	Y. Kul. S.K.
No	Part No			Q'ty	Note	Serial No	ICA S.C.
1	H252200100	Ön Filtre	Pre Cleaner Ass'y	1			
1_1	H259039003	Kollektör, Ön Filtre	Collector, Pre Clean.	1			
1_2	H259039004	Mil, Ön Filtre	Rod, Pre Cleaner	1			
1_3	H259039001	Kelebek Somun, ÖF.	Wing Nut, Pre Clean.	1			
2	H252200200	Adaptör Boru, K.M.	Pipe, Pre Cln. Mount.	1			
3	H252200300	Hortum, Hava Filtresi	Hose, Air Cleaner	1			
4	H252200400	Hortum, Hava Filtresi	Hose, Air Cleaner	1			
5	H252200500	Hava Filtresi	Air Cleaning Ass'y	1			
5_1	H252200800	Filtre Elemanı, İç	Element INR, Air Clnr.	1			
5_2	H252200700	Filtre Elemanı	Element, Air Cleaner	1			
5_3	H349003744	Kapak	Cover, Air Cleaner	1			
5_4	H349003742	Adaptör, Sensör	Elbow, Indicator Adap.	1			
5_5	H348002400	Tıkanıklık Sensörü	Dust Indicator	1			
5_6	H349003746	O-Ring	O-Ring	1			
5_7	H252200900	Toz Atıcı	Valve, Vacuator	1			
6	N07/8401213	Kelepçe	Band	1			
7	N07/4120140	Kelepçe	Band	3			
8	N07/4070090	Kelepçe	Band	1			
9	N01/0222114	A.K.B. Civata	Bolt, Hex.	4	M8x20		
10	N03/1310010	Yaylı Rondela	Washer, Spr.	4	M8		
11	N03/0100016	Pul	Washer, Pln.	4	M8		
12	N01/0232462	A.K.B. Civata	Bolt, Hex.	4	M10x25		
13	N03/1310011	Yaylı Rondela	Washer, Spr.	4	M10		
14	N03/0020121	Pul	Washer, Pln.	4	M10		

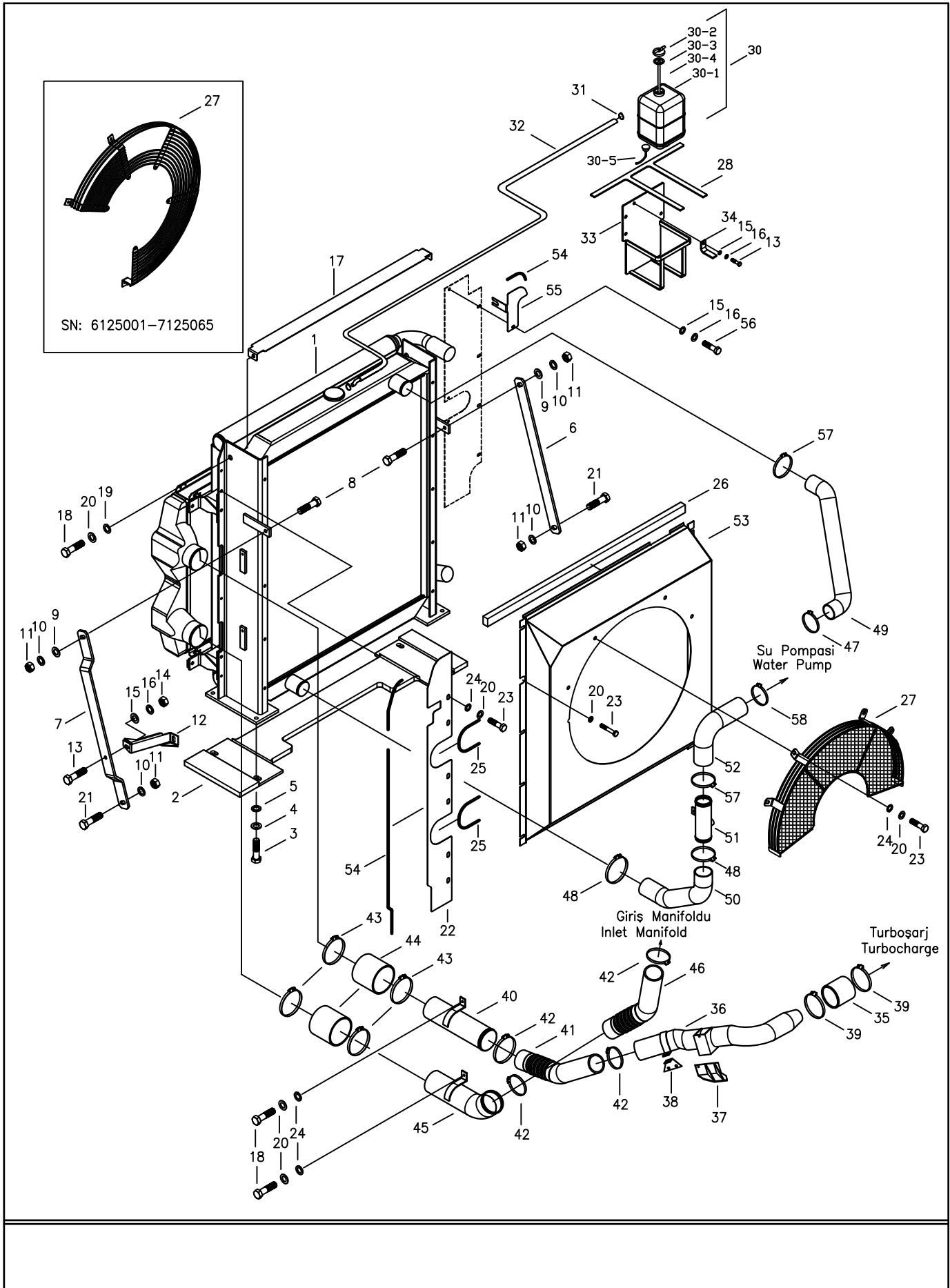
EGZOZ MONTAJI EXHAUST MOUNTING



EGZUZ MONTAJI
EXHAUST MOUNTING

No	Parça No	Adı	Description	Adet	Not	Seri No	Y. Kul. S.K.
No	Part No			Q'ty	Note	Serial No	ICA S.C.
1	H252310100	Egzoz Borusu	Pipe, Muffler	1			
2	H253110200	Kelepçe, Egzoz Boru.	Clamp, Muffler Pipe	1			
3	N01/0232498	A.K.B. Cıvata	Bolt, Hex.	2	M10x35		
4	N03/0100020	Pul	Washer, Pln.	1	M10		
5	N03/1310011	Yaylı Rondela	Washer, Spr.	9	M10		
6	H252310300	Susturucu Komp.	Muffler Ass'y	1			
7	H252310400	U-Bağlantısı	U Band	2			
8	N02/8320062	Flanşlı Somun	Nut, Flange	8			
9	H252310500	Destek, Susturucu	Support, Muffler	1			
10	H259001540	Cıvata, Yıl. Baş., Flnş.	Bolt, Flange	3	M10x85		
11	N01/0232486	A.K.B. Cıvata	Bolt, Hex.	4	M10x30		
12	N01/5980446	Cıvata, Trbş.	Bolt, T/C	2	M8x16		
13	H252310600	Susturucu Bağl. K.M.	Bracket, Muffler	1			
14	N01/0232402	A.K.B. Cıvata	Bolt, Hex.	4	M10x15		
15	H252310700	Ara Bağlantı Borusu	Pipe, Exhaust	1			
16	H252310800	Kelepçe, Susturucu	Clamp	1			
17	N01/5981154	Cıvata, Flanşlı	Bolt, Flange	2	M12x35		
18	N02/8810182	Somun, Flanşlı	Nut, Flange	2	M12		
19	H252310900	Koruyucu Sac	Cover	1			
20	N01/5980290	Cıvata, Flanşlı	Bolt, Flange	4	M6x12		
21	H252311000	Kapak, Turboşarj	Cover, T/C	1			
22	H252311100	Destek Sacı, Eg. Boru:	Support, Exhaust Pipe	1			
23	N01/0232444	A.K.B. Cıvata	Bolt, Hex.	3	M10x20		
24	N01/5980590	Cıvata, Trbş.	Bolt, T/C	1	M8x70		
26	H342311101	Rekor	Connector	1			
27	H259001541	Braket, Eg. Borusu	Bracket, Exhaust Pipe	1			
28	H259001542	Sızdırmazlık El., Eg. B.	Seal Ring, Ex. Pipe	1			
29	H259001543	Pul	Washer, Pln.	2	M10		
30	H259001544	Sızdırmazlık El., Eg. B.	Seal Ring, Ex. Pipe	1			
31	H259001545	Somun	Nut	2	M10		
32	H259001167	Cıvata, Flanşlı	Bolt, Flange	2	M8x12		
33	N01/5980290	Cıvata, Trbş.	Bolt, T/C	2	M6x12		
34	H259001547	Pul, Turboşarj	Washer, Turbocharger	1			
35	N07/4016027	Kelepçe	Clamp	1			
36	H06/7001102	Hortum	Hose		0.8m		D
	H06/0210102	Hortum	Hose		0.8m, hidrolik/hydraulic		C

SOĞUTMA DONANIMI COOLING SYSTEM



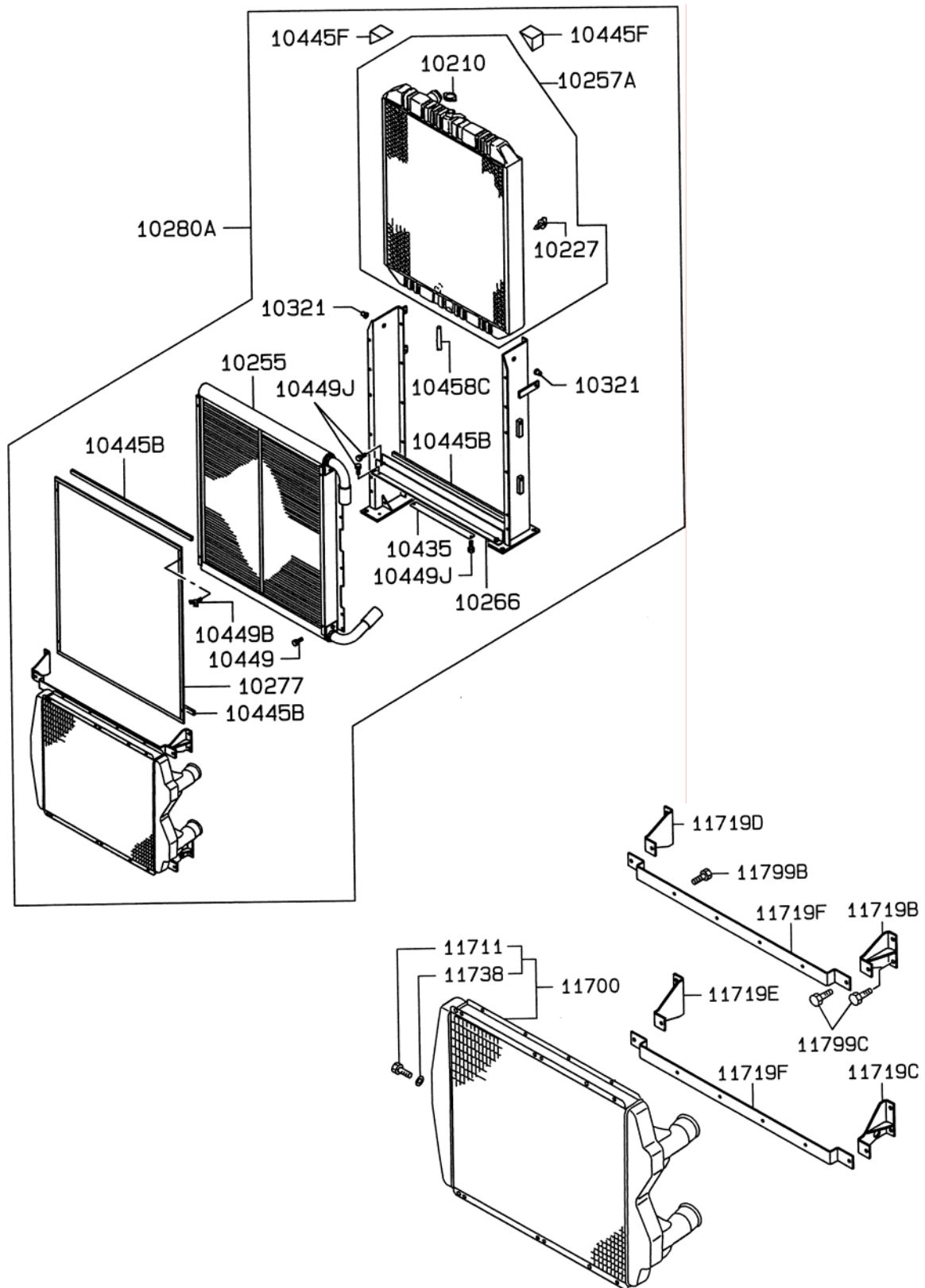
SOĞUTMA DONANIMI COOLING SYSTEM

No	Parça No	Adı	Description	Adet	Not	Seri No	Y. Kul. S.K.
No	Part No			Q'ty	Note	Serial No	ICA S.C.
1	H252410100	Radyatör Komitesi	Radiator Ass'y	1			
2	H252410800	Altık, Radyatör	Rubber, Radiator	1			
3	N01/0381238	A.K.B. Cıvata	Bolt, Hex.	4	M16x55		
4	N03/1310014	Yaylı Rondela	Washer, Spr.	4	M16		
5	N03/0100029	Pul	Washer, Pln.	4	M16		
6	H252410900	Rad. Destek Sacı, Ön	Support, Rad., FR	1			
7	H252411000	Rad. Destek Sacı, Ar.	Support, Rad., RR	1			
8	N01/0232882	A.K.B. Cıvata	Bolt, Hex.	2	M12x45		
9	N03/0100023	Pul	Washer, Pln.	2	M12		
10	N03/1310012	Yaylı Rondela	Washer, Spr.	4	M12		
11	N02/3560242	A.K. Somun	Nut, Hex.	2	M12		
12	H252411100	Hortum Tutucu Sacı	Support, Hose	1			
13	N01/0222114	A.K.B. Cıvata	Bolt, Hex.	7	M8x20		
14	N02/3570182	A.K. Somun	Nut, Hex.	2	M8		
15	N03/0100016	Pul	Washer, Pln.	8	M8		
16	N03/1310010	Yaylı Rondela	Washer, Spr.	8	M8		
17	H252411200	Rad. Üst Sacı KM	Cover, Radiator	1			
18	N01/0232462	A.K.B. Cıvata	Bolt, Hex.	4	M10x25		
19	N03/0020121	Pul	Washer, Pln.	2	M10		
20	N03/1310011	Yaylı Rondela	Washer, Spr.	22	M10		
21	N01/0232858	A.K.B. Cıvata	Bolt, Hex.	2	M12x35		
22	H252411400	Ara Sac, Radyatör	Support, Hose	1			
23	N01/0232438	A.K.B. Cıvata	Bolt, Hex.	18	M10x20		
24	N03/0100020	Pul	Washer, Pln.	12	M10		
25	98Y040140	Gromet	Gromet		0.3m		
26	H252411500	Yalıtıcı	Gasket	2			
27	H342421700	Fan Muhafazası, K.M.	Fan Guard, W.A.	1		6125001-7125065	D
	H342421701	Fan Muhafazası, K.M.	Fan Guard, W.A.	1		7125066-	C
28	H342409200	Lastik, Tank	Rubber Band, Tank	1			
30	H342405201	Rezervuar Tank	Reservoir Tank	1			
30_1	H349080050	Tank	Tank	1		6125001-9125055	D
	H259080050	Tank	Tank	1		9125056-	D
30_2	H349080051	Kapak	Cover	1		6125001-9125055	D
	H349080057	Kapak	Cover	1		9125056-	D
30_3	H349080054	Conta	Packing	1		6125001-9125055	D
	H349080058	Conta	Packing	1		9125056-	D
30_4	H349080052	Hortum	Hose	1		6125001-9125055	D
	H259080051	Hortum	Hose	1		9125056-	D
30_5	H349080053	Sensör, Seviye	Sensor, Coolant Lev.	1		6125001-9125055	D
	H349080060	Sensör, Seviye	Sensor, Coolant Lev.	1		9125056-	D
31	N07/4010016	Kelepçe	Clamp	3			
32	799/00450	Hortum, Rezervuar	Hose, Reservoir	1	L=1100		
33	H342408700	Rezervuar Tutucu KM	Holder WA., Reservoir	1			
34	H342409100	Tutucu Sac	Holder	1			

SOĞUTMA DONANIMI
COOLING SYSTEM

No	Parça No	Adı	Description	Adet	Not	Seri No	Y. Kul. S.K.
No	Part No			Q'ty	Note	Serial No	ICA S.C.
35	H252411600	Hortum, I/C, Giriş	Hose, I/C, Inlet	1			
36	H252411700	Boru, I/C, Giriş	Pipe, I/C, Inlet	1			
37	H252411800	Bağlantı Parçası KM	Bracket WA, Upper	1			
38	H242411900	Bağlantı Parçası KM	Bracket WA, Lower	1			
39	N07/4060080	Kelepçe	Clamp	2			
40	H252412000	Boru, I/C, Giriş	Pipe, I/C, Inlet	1			
41	H252412100	Hortum, Rezervuar	Hose, Reservoir	1			
42	N07/4080100	Kelepçe	Clamp	4			
43	N07/4090110	Kelepçe	Clamp	8			
44	H252412200	Hortum, Küçük, I/C	Hose, Inter Cooler	2			
45	H252412300	Boru, KM, I/C, Çıkış	Pipe, WA, I/C, Outlet	1			
46	H252412400	Hortum, I/C, Çıkış	Hose, I/C, Outlet	1			
47	H259001548	Tel Kelepçe	Clamp	1			
48	H259001548	Tel Kelepçe	Clamp	2			
49	H252412600	Hortum, Rad., Giriş	Hose, Rad., Inlet	1			
50	H252412700	Hortum, Rad., Çıkış	Hose, Rad., Outlet	1			
51	H252412800	Boru, KM, Rad. Çıkış	Hose WA, Rad., Outlet	1			
52	H252412900	Hortum, Rad., Çıkış	Hose, Rad., Outlet	1			
53	H252413000	Davlumbaz, KM	Shroud WA, Fan	1			
54	98Z020010	Fitul	Weather Strip		1.1m		
55	H252413400	Perde Sacı, Radyatör	Bracket, Radiator	1			
56	N01/0222078	A.K.B. Cıvata	Bolt, Hex.	1	M8x15		
57	H259001550	Tel Kelepçe	Clamp	2			
58	H259001551	Tel Kelepçe	Clamp	1			

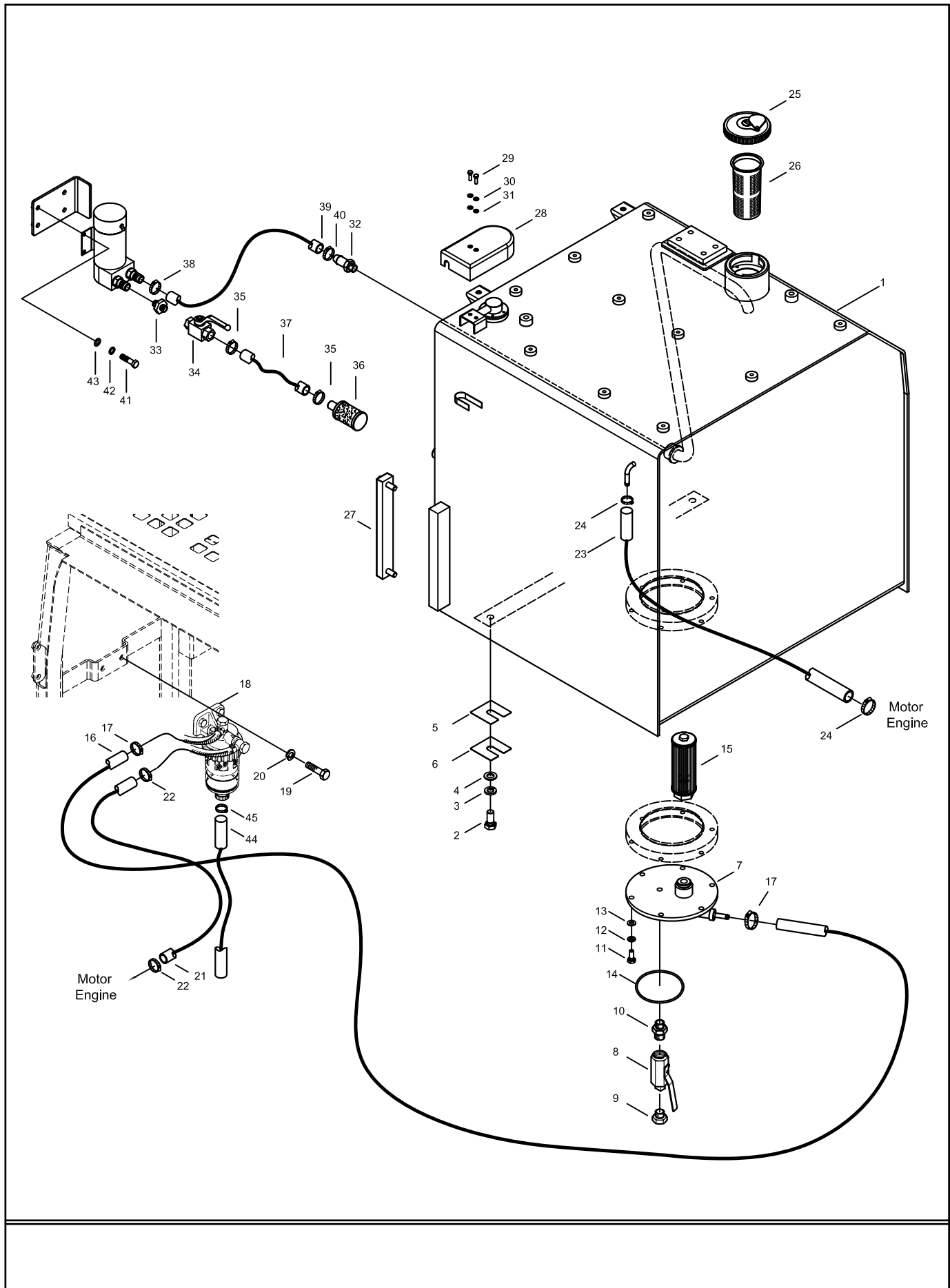
RADYATÖR RADIATOR



**RADYATÖR
RADIATOR**

No No	Parça No Part No	Adı Description	Adet Q'ty	Not Note	Seri No Serial No	Y. Kul. S.K. ICA S.C.
10280A	H252410100	Su, Yağ, Hava S. Komp. Rad., Oil, Inter C. Assy	1			
10210	H349003750	Kapak, Radyatör	1			
10227	H349003751	Musluk, Rad. Su Boş.	1			
10255	H252410300	Yağ Soğutucu	1			
10257A	H259001552	Radyatör Alt Komp.	1			
10266	H252410500	Gövde	1			MOD
10277	H259001553	Muhafaza, Yağ. Soğ.	1			
10321	H259001554	Tapa, Radyatör	2			
10435	H259001555	Rad. Montaj Elemanı	1			
10445F	H259001556	Yalıtıcı	2			
10449	H259001557	Cıvata	12	M10x30		
10449B	H349003768	Kelebek Cıvata	2			
10449J	H259001558	Cıvata	2			
	H259001559	Cıvata	4	8x16		
10458C	H259001560	Boru	1			
11700	H252410400	Hava Soğutucu	1			
11711	H259001561	Tapa, Hava Soğutucu	1			
11719B	H259001562	Braket, Hava Soğ.	1			
11719C	H259001563	Braket, Hava Soğ.	1			
11719D	H259001564	Braket, Hava Soğ.	1			
11719E	H259001565	Braket, Hava Soğ.	1			
11719F	H259001566	Braket, Hava Soğ.	2			
11738	H259001567	Conta, Hava Soğ. Kap.	1			
11799B	H259001568	Cıvata, Hava Soğ.	8			
11799C	H259001557	Cıvata, Hava Soğ.	4	M10x30		

YAKIT DEPOSU MONTAJI VE YAKIT HATTI FUEL TANK MOUNTING AND FUEL LINE



YAKIT DEPOSU MONTAJI VE YAKIT HATTI
FUEL TANK MOUNTING AND FUEL LINE

No	Parça No	Adı	Description	Adet	Not	Seri No	Y. Kul. S.K.
No	Part No			Q'ty	Note	Serial No	ICA S.C.
1	H252500300	Yakıt Deposu K.M.	Tank W.A., Fuel	1		5125001	D
	H252500301	Yakıt Deposu K.M.	Tank W.A., Fuel	1		6125001-?	D
	H252500302	Yakıt Deposu K.M.	Tank W.A., Fuel	1	***	?-7125172	C
	H252500303	Yakıt Deposu K.M.	Tank W.A., Fuel	1		7125173-	C
2	N01/0233566	A.K.B., Cıvata	Bolt, Hex.	4	M16x35		
3	N03/1310014	Yaylı Rondela	Washer, Spr.	4	M16		
4	N03/0100027	Pul	Washer, Pln.	4	M16		
5	H343409500	Sim	Shim	4	1mm		
6	H343410400	Sim	Shim	4	2mm		
7	H342512600	Emiş Flanşı K.M.	Cover, Suction	1	Ø220	5125001-?	D
	H342512601	Emiş Flanşı K.M.	Cover, Suction	1	Ø180, ****	?-	D
8	N14/0010600	Yakıt Boşalt.Vanası	Cock Valve Ass'y	1	*		
	N14/0020200	Yakıt Boşalt.Vanası	Cock Valve Ass'y	1			
9	N16/X181004	Tapa	Plug	1			
	N16/X181002	Tapa	Plug	1	**		
10	N16/K440106	Rekor	Connector	1	İPTAL/DELETED, *, **		
11	N01/0232462	A.K.B., Cıvata	Bolt, Hex.	6	M10x25	5125001-?	D
	N01/0232438	A.K.B., Cıvata	Bolt, Hex.	6	M10x20, ***	?-	D
12	N03/1310011	Yaylı Rondela	Washer, Spr.	6	M10		
13	N03/0100020	Pul	Washer, Pln.	6	M10		
14	N10/2016957	O-Ring	O-Ring	1		5125001-?	D
	N10/2009936	O-Ring	O-Ring	1	***	?-	D
15	H342505500	Süzgeç	Filter	1			
16	H253401600	Yakıt Em. Hortumu	Hose, Tank-Filter	1			
17	N07/4010016	Kelepçe	Clamp	2			
18	H342514700	Yakıt Ön Filtresi	Water Seperator	1			
19	N01/0232462	A.K.B., Cıvata	Bolt, Hex.	2	M10x25		
20	N03/1310011	Yaylı Rondela	Washer, Spr.	2	M10		
21	H252501700	Yakıt Em. Hortumu	Hose, Filter-Engine	1			
22	N07/4010016	Kelepçe	Clamp	2			
23	H252501800	Yakıt Dönüş Hor.	Hose	1			
24	N07/4010016	Kelepçe	Clamp	2			
25	H342503001	Yakıt Dep.Kapağı	Cap, Fuel	1			
26	H342503101	Yakıt Süzgeci	Filter	1			
27	H342503201	Yakıt Seviye Göst.	Level Gauge	1			
28	H342504000	Kapak, KM	Cover, WA	1			
29	N01/0221514	A.K.B., Cıvata	Bolt, Hex.	2	M6x20		
30	N03/1310008	Yaylı Rondela	Washer, Spr.	2	M6		
31	N03/0100013	Pul	Washer, Pln.	2	M6		
32	H342505300	Rekor	Connector	1			
33	N16/K440108	Rekor	Connector	1		5125001-9125039	
34	N14/0010600	Yakıt Boşalt.Vanası	Valve Ass'y	1		5125001-9125039	

(*) N16/X181002 ile birlikte N14/0010600 yerine kullanılabilir. Poz 10 iptal edilmiştir. / It can be used instead of N14/0010600 with N16/X181002. Item 10 is deleted.

(**) N14/0020200 ile birlikte N16/X181004 yerine kullanılabilir. Poz 10 iptal edilmiştir. / It can be used instead of N16/X181004 with N14/0020200. Item 10 is deleted.

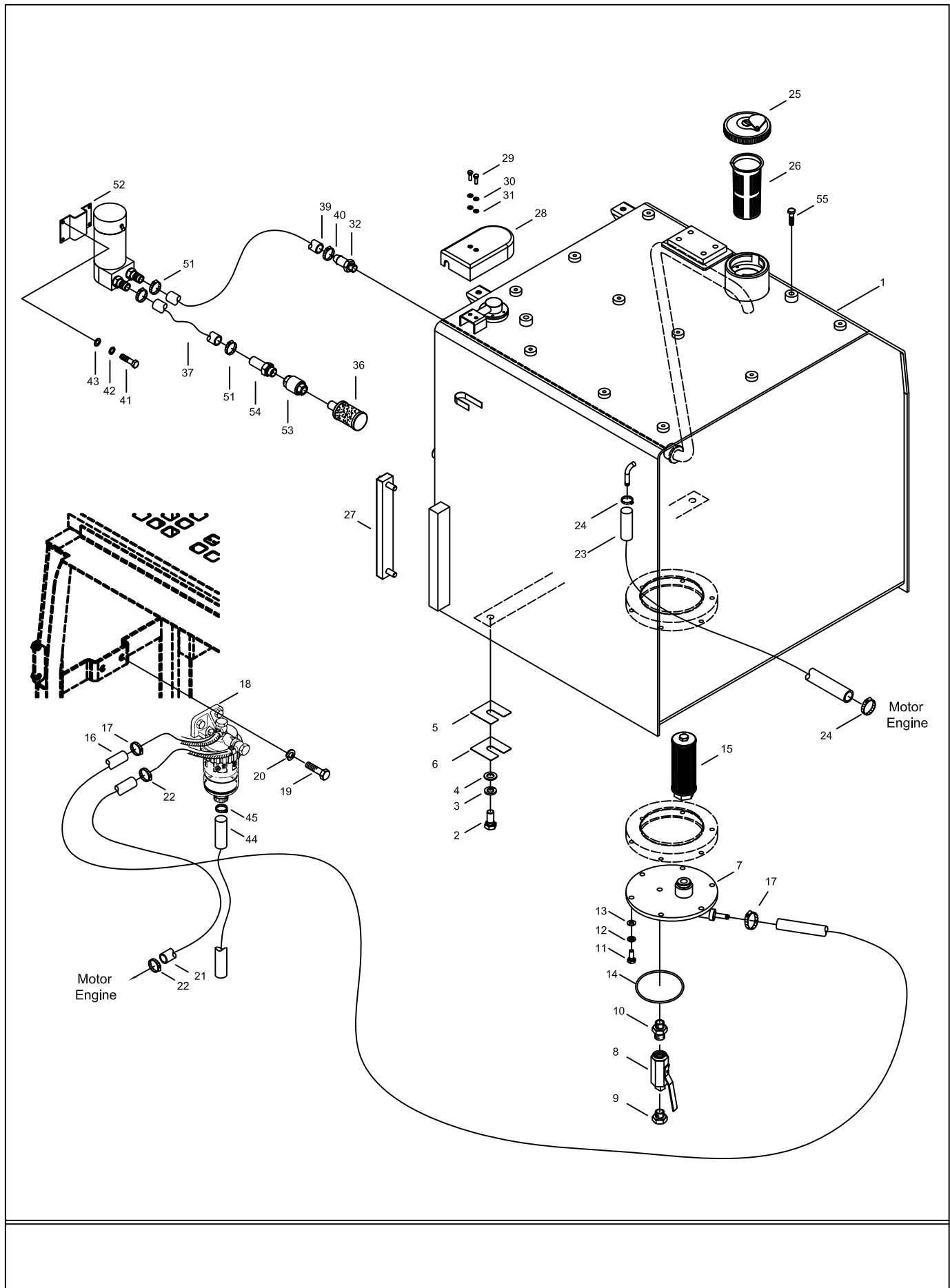
(***) H342512601 ile birlikte isteyiniz. / Order with H342512601.

(****) H252500302 ile birlikte kullanılır. / Use with H252500302.

YAKIT DEPOSU MONTAJI VE YAKIT HATTI
FUEL TANK MOUNTING AND FUEL LINE

No	Parça No	Adı	Description	Adet	Not	Seri No	Y. Kul. S.K.
No	Part No			Q'ty	Note	Serial No	ICA S.C.
35	N07/4025040	Kelepçe	Clamp	2		5125001-9125039	
36	H342506200	Süzgeç	Filter	1		5125001-9125039	D
37	H342506300	Hortum, Emiş	Hose, Suction	1			
38	N07/4025040	Kelepçe	Clamp	1		5125001-9125039	
39	H342506401	Hortum, Yakıt Deposu	Hose, Tank	1			
40	N07/4025040	Kelepçe	Clamp	1			
41	N01/0221202	A.K.B., Cıvata	Bolt, Hex.	4	M5x16		
42	N03/1310007	Yaylı Rondela	Washer, Spr.	4	M5		
43	N03/0100011	Pul	Washer, Pln.	4	M5		
44	H252501900	Hortum, Tahliye	Hose, Drain	1			
45	N07/4010016	Kelepçe	Clamp	1			

YAKIT DEPOSU MONTAJI VE YAKIT HATTI FUEL TANK MOUNTING AND FUEL LINE



YAKIT DEPOSU MONTAJI VE YAKIT HATTI
FUEL TANK MOUNTING AND FUEL LINE

No	Parça No	Adı	Description	Adet	Not	Seri No	Y. Kul. S.K.
No	Part No			Q'ty	Note	Serial No	ICA S.C.
1	H252500300	Yakıt Deposu K.M.	Tank W.A., Fuel	1		5125001	D
	H252500301	Yakıt Deposu K.M.	Tank W.A., Fuel	1		6125001-7125039	D
	H252500302	Yakıt Deposu K.M.	Tank W.A., Fuel	1	***	7125040-7125172	C
	H252500303	Yakıt Deposu K.M.	Tank W.A., Fuel	1		7125173-9125064	C
	H252500304	Yakıt Deposu K.M.	Tank W.A., Fuel	1		9125065-	D
2	N01/0233566	A.K.B., Cıvata	Bolt, Hex.	4	M16x35		
3	N03/1310014	Yaylı Rondela	Washer, Spr.	4	M16	5125001-9125063	
4	N03/0100027	Pul	Washer, Pln.	4	M16	5125001-9125064	
	N03/0810002	Pul	Washer, Pln.	4	M16	9125065-	
5	H343409500	Sim	Shim	AR	1mm		
6	H343410400	Sim	Shim	AR	2mm		
7	H342512600	Emiş Flanşı K.M.	Cover, Suction	1	Ø220	5125001-7125039	D
	H342512601	Emiş Flanşı K.M.	Cover, Suction	1	Ø180, ****	7125040-	D
8	N14/0010600	Yakıt Boşalt.Vanası	Cock Valve Ass'y	1			
	N14/0020200	Yakıt Boşalt.Vanası	Cock Valve Ass'y	1	*		
9	N16/X181004	Tapa	Plug	1			
	N16/X181002	Tapa	Plug	1	**		
10	N16/K440106	Rekor	Connector	1	İPTAL/DELETED, *, **		
11	N01/0232462	A.K.B., Cıvata	Bolt, Hex.	6	M10x25	5125001-7125039	D
	N01/0232438	A.K.B., Cıvata	Bolt, Hex.	6	M10x20, ***	7125040-	D
12	N03/1310011	Yaylı Rondela	Washer, Spr.	6	M10		
13	N03/0100020	Pul	Washer, Pln.	6	M10		
14	N10/2016957	O-Ring	O-Ring	1		5125001-7125039	D
	N10/2009936	O-Ring	O-Ring	1	***	7125040-	D
15	H342505500	Süzgeç	Filter	1			
16	H252501600	Yakıt Em. Hortumu	Hose, Tank-Filter	1			
17	N07/4010016	Kelepçe	Clamp	2			
18	H342514700	Yakıt Ön Filtresi	Water Seperator	1			
19	N01/0232462	A.K.B., Cıvata	Bolt, Hex.	2	M10x25		
20	N03/1310011	Yaylı Rondela	Washer, Spr.	2	M10		
21	H252501700	Yakıt Em. Hortumu	Hose, Filter-Engine	1			
22	N07/4010016	Kelepçe	Clamp	2			
23	H252501800	Yakıt Dönüş Hor.	Hose	1			
24	N07/4010016	Kelepçe	Clamp	2			
25	H342503001	Yakıt Dep.Kapağı	Cap, Fuel	1		5125001-9125064	D
	H342503002	Yakıt Dep.Kapağı	Cap, Fuel	1		9125065-	D
26	H342503101	Yakıt Süzgeci	Filter	1		5125001-9125064	D
	H342503102	Yakıt Süzgeci	Filter	1		9125065-	D
27	H342503201	Yakıt Seviye Göst.	Level Gauge	1			
28	H342504000	Kapak, KM	Cover, WA	1			
29	N01/0221514	A.K.B., Cıvata	Bolt, Hex.	2	M6x20		
30	N03/1310008	Yaylı Rondela	Washer, Spr.	2	M6		

(*) N16/X181002 ile birlikte N14/0010600 yerine kullanılabilir. Poz 10 iptal edilmiştir. / It can be used instead of N14/0010600 with N16/X181002. Item 10 is deleted.

(**) N14/0020200 ile birlikte N16/X181004 yerine kullanılabilir. Poz 10 iptal edilmiştir. / It can be used instead of N16/X181004 with N14/0020200. Item 10 is deleted.

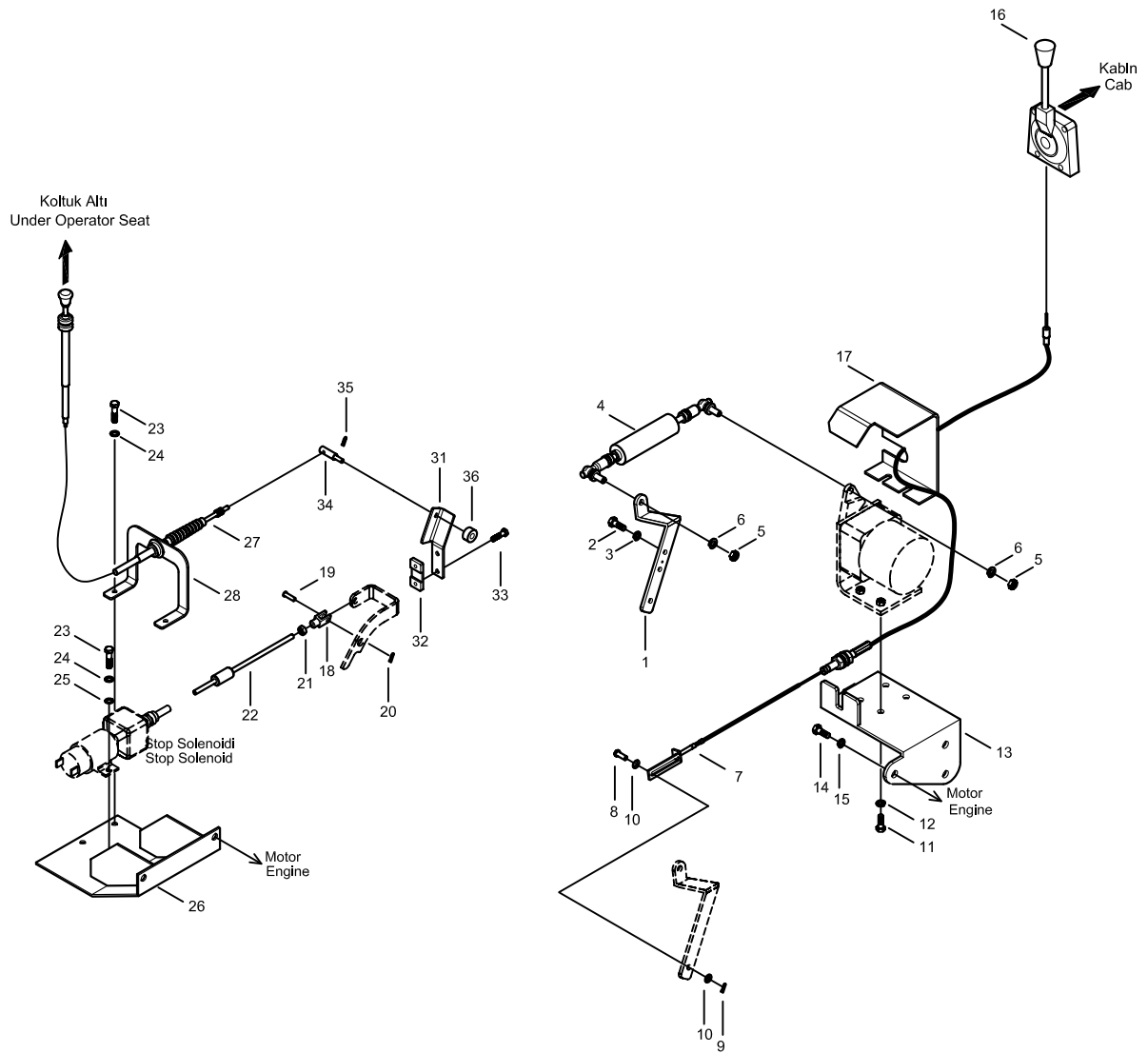
(***) H342512601 ile birlikte isteyiniz. / Order with H342512601.

(****) H252500302 ile birlikte kullanılır. / Use with H252500302.

YAKIT DEPOSU MONTAJI VE YAKIT HATTI
FUEL TANK MOUNTING AND FUEL LINE

No	Parça No	Adı	Adet	Not	Seri No	Y. Kul. S.K.
No	Part No	Description	Q'ty	Note	Serial No	ICA S.C.
31	N03/0100013	Pul	2	M6		
32	H342505300	Rekor	1			
36	H342506201	Süzgeç	1		9125040-	D
37	H342506300	Hortum, Emiş	1			
39	H342506401	Hortum, Yakıt Deposu	1			
40	N07/4025040	Kelepçe	1			
41	N01/0221202	A.K.B., Cıvata	4	M5x16		
42	N03/1310007	Yaylı Rondela	4	M5		
43	N03/0100011	Pul	4	M5		
44	H252501900	Hortum, Tahliye	1			
45	N07/4010016	Kelepçe	1			
51	N07/4016027	Kelepçe	4		9125040-	
52	H342520200	Bağlantı Braketi	1		9125040-	
53	H342520100	Çek Valf	1		9125040-	
54	H342520300	Rekor	1		9125040-	
55	N01/0232726	A.K.B., Cıvata	2	M12x10		

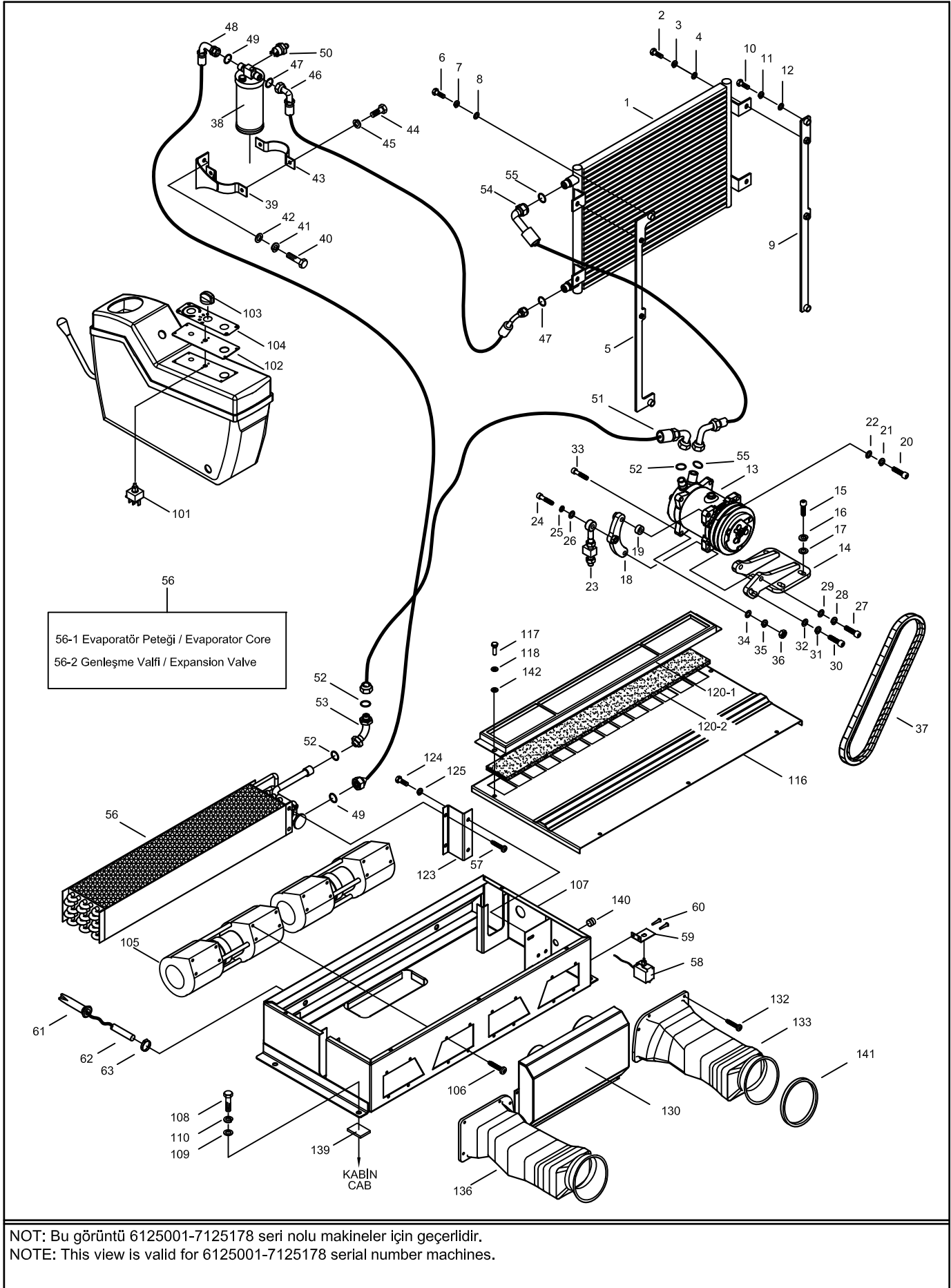
MOTOR KONTROL MONTAJI ENGINE CONTROL MOUNTING



MOTOR KONTROL MONTAJI
ENGINE CONTROL MOUNTING

No	Parça No	Adı	Description	Adet	Not	Seri No	Y. Kul. S.K.
No	Part No			Q'ty	Note	Serial No	ICA S.C.
1	H252600100	Destek, El Gazı	Lever, Throttle	1			
2	N01/0221514	A.K.B. Civata	Bolt, Hex.	2	M6x20		
3	N03/1310008	Yaylı Rondela	Washer, Spr.	2	M6		
4	H252600200	Sönümleyici Montajı	Damper Ass'y	1			
5	N02/3570182	A.K. Somun	Nut, Hex.	2	M8		
6	N03/1310010	Yaylı Rondela	Washer, Spr.	2	M8		
7	H252600600	El Gazı Teli	Trottle Cable	1			
8	H342604200	Pim	Pin	1			
9	N06/1001615	Gupilya	Pin Snap	1			
10	N03/0020004	Pul	Washer, Pln.	2	M8		
11	N01/0222138	A.K.B. Civata	Bolt, Hex.	4	M8x25		
12	N03/1310010	Yaylı Rondela	Washer, Spr.	4	M8		
13	H252600700	Tespit Plakası, Step M.	Bracket, Step Motor	1			
14	N01/0232462	A.K.B. Civata	Bolt, Hex.	3	M10x25		
15	N03/1310011	Yaylı Rondela	Washer, Spr.	3	M10		
16	F31/13000	El Gazı Kolu	Lever Ass'y	1			
17	H252600800	Muhafaza Sacı K.M.	Bracket, Cover	1			
18	F99/60100	Mafsal Çatalı Komp.	Knurling Tool	1			
19	H342604200	Pim	Pin	1			
20	N06/1001615	Gupilya	Pin Snap	1			
21	N02/3570158	A.K. Somun	Nut, Hex.	2	M6		
22	H252601200	Mesafe Çubuğu	Space Lever	1			
23	N01/0221514	A.K.B. Civata	Bolt, Hex.	2	M6x20		
24	N03/1310008	Yaylı Rondela	Washer, Spr.	2	M6		
25	N03/0100013	Pul	Washer, Pln.	2	M6		
26	H252600900	Bağlantı Sacı, Stop Sel.	Bracket, Stop Solen.	1		6125001-7125062	D
	H252600902	Bağlantı Sacı, Stop Sel.	Bracket, Stop Solen.	1		7125063-	D
27	H342611500	Motor Stop Teli	Engine Stop Cable	1		7125063-	
28	H252601600	Bağlantı Sacı	Bracket, Stop Cable	1		7125063-	
29	N01/0221514	A.K.B. Civata	Bolt, Hex.	2	M6x20	7125063-	
30	N03/1310008	Yaylı Rondela	Washer, Spr.	2	M6	7125063-	
31	H252601700	Destek Sacı	Support	1		7125063-	
32	H252601800	Bağlantı Sacı	Support	1		7125063-	
33	N01/0221202	A.K.B. Civata	Bolt, Hex.	2	M5x16	7125063-	
34	H342604201	Pim	Pin	1		7125063-	
35	N06/1001615	Gupilya	Pin Snap	1		7125063-	
36	H342612000	Pul, Mesafe	Spacer	1		7125063-	

KLİMA MONTAJI AIRCONDITION MOUNTING



KLİMA MONTAJI

AIRCONDITION MOUNTING

No	Parça No	Adı	Description	Adet	Not	Seri No	Y. Kul. S.K.
No	Part No			Q'ty	Note	Serial No	ICA S.C.
1	F25/20562	Kondensör	Condenser	1			
2	N01/0222078	A.K.B. Civata	Bolt, Hex.	4	M8x15		
3	N03/1310010	Yaylı Rondela	Washer,Spr.	4	M8		
4	N03/0100017	Pul	Washer, Pln.	4	M8		
5	H252700300	Bağlantı Sacı, Konden	Bracket, Condenser	1			
6	N01/0380386	A.K.B. Civata	Bolt, Hex.	4	M8x40		
7	N03/1310010	Yaylı Rondela	Washer,Spr.	4	M8		
8	N03/0100017	Pul	Washer, Pln.	4	M8		
9	H252700600	Bağlantı Sacı, Konden	Bracket, Condenser	1			
10	N01/0380386	A.K.B. Civata	Bolt, Hex.	4	M8x40		
11	N03/1310010	Yaylı Rondela	Washer,Spr.	4	M8		
12	N03/0100017	Pul	Washer, Pln.	4	M8		
13	H342700501	Kompresör	Compressor	1			
14	H252701201	Destek, Kompresör	Support, Compresor	1			
15	N01/5890842	S.B. Civata	Bolt, Cyl. Head	4	M10x40		
16	N03/1360010	Yaylı Rondela	Washer,Spr.	4	M10		
17	N03/0020121	Pul	Washer, Pln.	4	M10		
18	H342731600	Bağlantı Sacı, K.M.	Bracket	1			
19	H342731800	Mesafe Parçası	Spacer	1			
20	N01/5890878	S.B. Civata	Bolt, Cyl. Head	1	M10x55		
21	N03/1360010	Yaylı Rondela	Washer,Spr.	1	M10		
22	N03/0100020	Pul	Washer, Pln.	1	M10		
23	H342731100	Çektirme Montajı	Puller	1			
24	N01/5890854	S.B. Civata	Bolt, Cyl. Head	1	M10x45		
25	N03/1360010	Yaylı Rondela	Washer,Spr.	1	M10		
26	N03/0100021	Pul	Washer, Pln.	1	M10		
27	N01/5890878	S.B. Civata	Bolt, Cyl. Head	1	M10x55		
28	N03/1360010	Yaylı Rondela	Washer,Spr.	1	M10		
29	N03/0100021	Pul	Washer, Pln.	1	M10		
30	N01/5890818	S.B. Civata	Bolt, Cyl. Head	1	M10x30		
31	N03/1360010	Yaylı Rondela	Washer,Spr.	1	M10		
32	N03/0100020	Pul	Washer, Pln.	1	M10		
33	N01/5890854	S.B. Civata	Bolt, Cyl. Head	1	M10x45		
34	N03/1360010	Yaylı Rondela	Washer,Spr.	6	M10		
35	N03/0100020	Pul	Washer, Pln.	6	M10		
36	N02/3570206	A.K. Somun	Nut, Hex.	4	M10		
37	H342732000	V-Kayış	V-Belt	1			
38	F25/21000	Kurutucu	Drier	1			
39	H342700801	Destek, Kurutucu	Bracket, Drier	1			
40	N01/0222114	A.K.B. Civata	Bolt, Hex.	2	M8x20		
41	N03/1310010	Yaylı Rondela	Washer,Spr.	2	M8		
42	N03/0100017	Pul	Washer, Pln.	2	M8		
43	H342703501	Tutucu Sac	Bracket	1			
44	N01/0221514	A.K.B. Civata	Bolt, Hex.	2	M6x20		

KLİMA MONTAJI

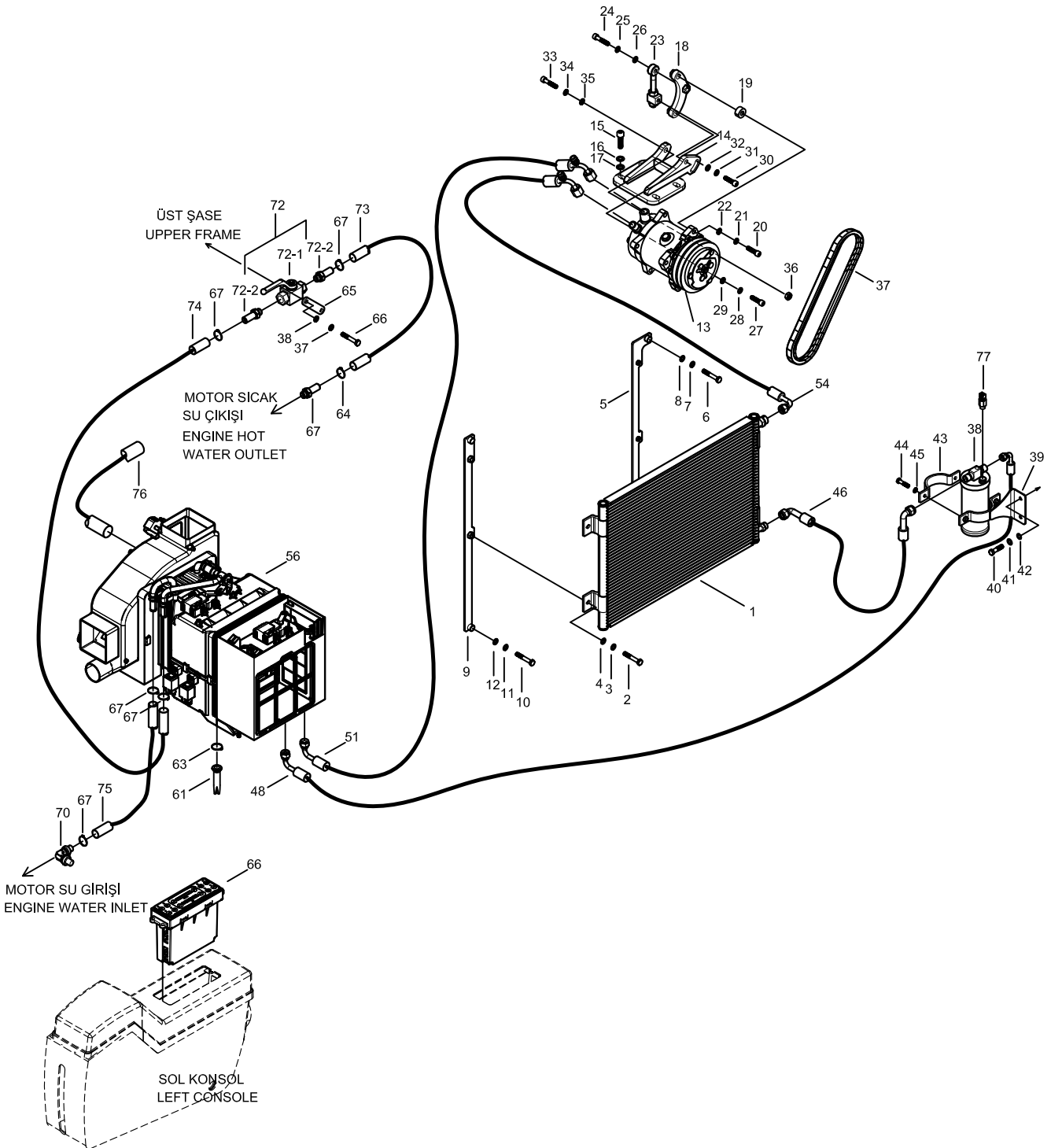
AIRCONDITION MOUNTING

No	Parça No	Adı	Adet	Not	Seri No	Y. Kul. S.K.
No	Part No	Description	Q'ty	Note	Serial No	ICA S.C.
45	N03/1310008	Yaylı Rondela	2	M6		
46	H252700800	Sıvı, Hortum-A	1			
47	N10/2500508	O-Ring	2			
48	H252700900	Sıvı, Hortum-B	1			
49	N10/2500508	O-Ring	2			
50	515/20000	Müşür,Klima	1			
51	H252701100	Emiş Hortumu	1			
52	N10/2500708	O-Ring	3			
53	H342703900	Tesisat Borusu, KM	1			
54	H252701000	Boşaltım Hortumu	1			
55	N10/2500304	O-Ring	2			
56	H342704400	Evaporatör	1			
56-1	H349083001	Evaporatör Peteği	1			
56-2	H349083002	Genleşme Valfi	1			
57	N04/1150338	Vida	2			
58	F25/20411	Termostat	1			
59	H342705000	Bağlantı Sacı, Ter.	1			
60	N04/9530350	Vida	2			
61	H342704500	Çamur Tutucu	2			
62	H342703800	Hortum, Su Tahliye	2			
63	N07/4010016	Kelepçe	2			
101	554/01000	Klima Fan Sivici	1			
102	H342720302	Klim/Isıtıcı Kont.Sacı	1		5125001-6125001	D
	H342720303	Klim/Isıtıcı Kont.Sacı	1		6125002-	D
103	H342711802	Tutamak	1			
104	H342723700	Etiket	1		5125001-6125001	D
	H342723701	Etiket	1		6125002-	D
105	H342720500	Fan	2			
106	N04/1150338	Y.S.B. Civata	16	M3.9x13		
107	H342720602	Kutu Göv., K.M.	1			
108	N01/0232114	A.K.B. Civata	4	M8x20		
109	N03/0100017	Pul	4	M8		
110	N03/1310010	Yaylı Rondela	4	M8		
116	H342722503	Kapak, K.M.	1			
117	N01/0221514	A.K.B. Civata	5	M6x20		
118	N03/0100013	Yaylı Rondela	3	M6		
120	H342727301	İç Hava Filt. Mont.	1			
120_1	H342727401	İç Hava Filt. Sacı.	1			
120_2	H342727501	Polen Filtre	1			
123	H342723501	Bağ. Sacı K.M., Evap.	1			
124	N01/0221478	A.K.B. Civata	2	M6x15		
125	N03/1310008	Yaylı Rondela	2	M6		
130	H342726001	Kapak, K.M., Orta	1			
132	N04/1150349	Y.S.B. Civata	13	M3.9x16		

KLİMA MONTAJI
AIRCONDITION MOUNTING

No	Parça No	Adı	Description	Adet	Not	Seri No	Y. Kul. S.K.
No	Part No			Q'ty	Note	Serial No	ICA S.C.
133	H342726901	Kapak, K.M., Sağ	Cover, W.A., R/H	1			
136	H342726501	Kapak, K.M., Sol	Cover, W.A., L/H	1			
139	H342727600	Lastik	Rubber	4			
140	810/40005	Destek Lastiği	Rubber	1			
141	98Z030010	Fitul	Weather Strip		L=0.6m		
142	N03/0020004	Pul	Washer, Pln.	2	M6		

KLİMA MONTAJI AIRCONDITION MOUNTING



NOT: Bu görüntü 9125001- seri nolu makineden itibaren geçerlidir.
NOTE: This view is valid from 9125001- serial number machine.

KLİMA MONTAJI

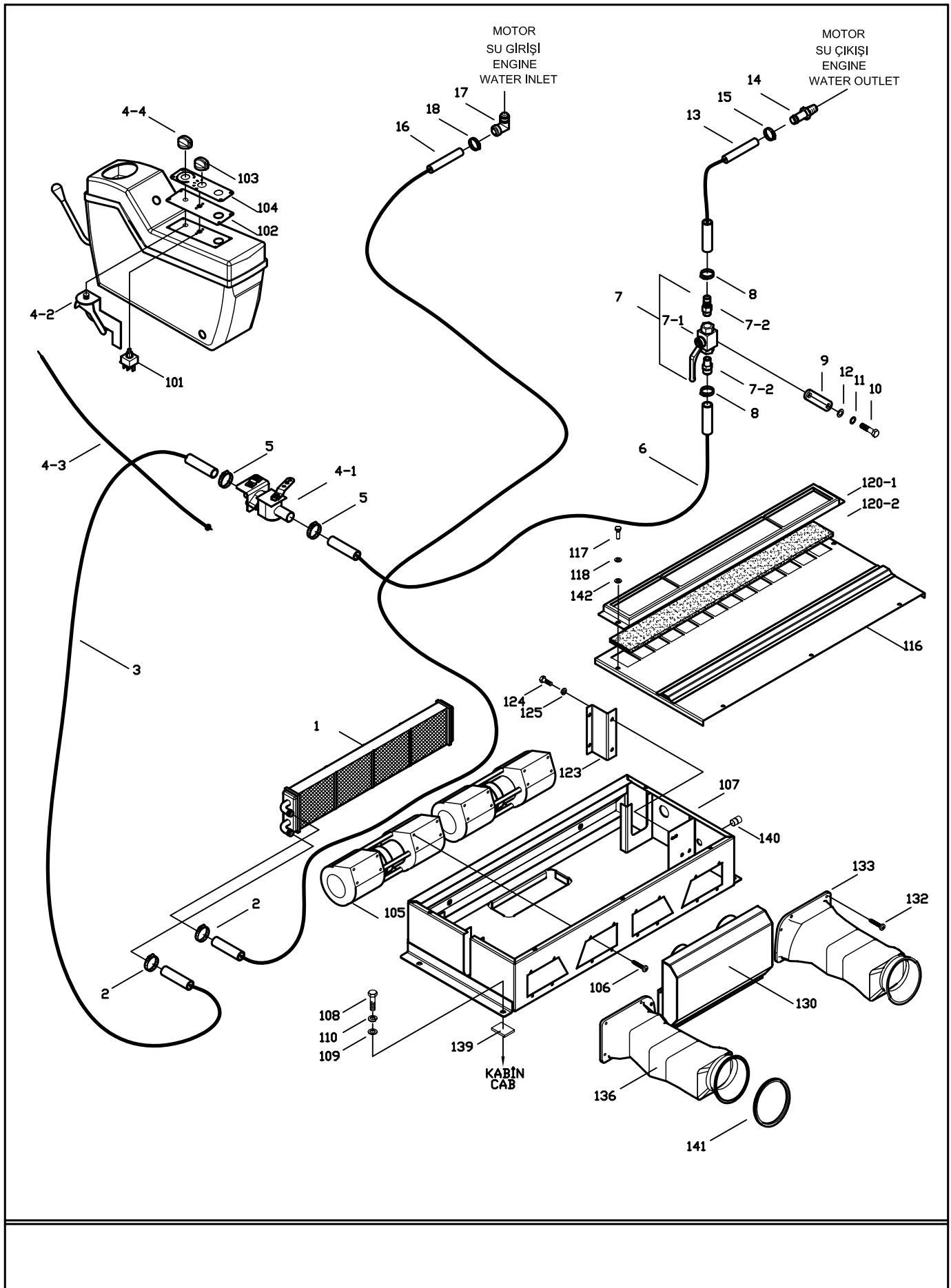
AIRCONDITION MOUNTING

No	Parça No	Adı	Adet	Not	Seri No	Y. Kul. S.K.
No	Part No	Description	Q'ty	Note	Serial No	ICA S.C.
1	H342700602	Kondensör	1		9125001-	
2	N01/0222078	A.K.B. Civata	4	M8x15		
3	N03/1310010	Yaylı Rondela	4	M8		
4	N03/0100017	Pul	4	M8		
5	H252701400	Bağlantı Sacı, Konden	1		9125001-	
6	N01/0380386	A.K.B. Civata	4	M8x40		
7	N03/1310010	Yaylı Rondela	4	M8		
8	N03/0100017	Pul	4	M8		
9	H252701600	Bağlantı Sacı, Konden	1		9125001-	
10	N01/0380386	A.K.B. Civata	2	M8x40		
11	N03/1310010	Yaylı Rondela	4	M8		
12	N03/0100017	Pul	2	M8		
13	H342700501	Kompresör	1			
14	H252701201	Destek, Kompresör	1			
15	N01/5890842	S.B. Civata	4	M10x40		
16	N03/1360010	Yaylı Rondela	4	M10		
17	N03/0020121	Pul	4	M10		
18	H342731600	Bağlantı Sacı, K.M.	1			
19	H342731800	Mesafe Parçası	1			
20	N01/5890878	S.B. Civata	1	M10x55		
21	N03/1360010	Yaylı Rondela	1	M10		
22	N03/0100020	Pul	1	M10		
23	H342731100	Çektirme Montajı	1			
24	N01/5890854	S.B. Civata	1	M10x45		
25	N03/1360010	Yaylı Rondela	1	M10		
26	N03/0100021	Pul	1	M10		
27	N01/5890878	S.B. Civata	1	M10x55		
28	N03/1360010	Yaylı Rondela	1	M10		
29	N03/0100021	Pul	1	M10		
30	N01/5890818	S.B. Civata	1	M10x30		
31	N03/1360010	Yaylı Rondela	1	M10		
32	N03/0100020	Pul	1	M10		
33	N01/5890854	S.B. Civata	1	M10x45		
34	N03/1360010	Yaylı Rondela	1	M10		
35	N03/0020121	Pul	2	M10		
36	N02/3570206	A.K. Somun	1	M10		
37	H342732000	V-Kayış	1			
38	H342700701	Kurutucu	1		9125001-	
39	H342700801	Destek, Kurutucu	1			
40	N01/0232138	A.K.B. Civata	2	M8x25		
41	N03/1310010	Yaylı Rondela	4	M8		
42	N03/0100017	Pul	4	M8		
43	H342703501	Tutucu Sac	1			
44	N01/0221514	A.K.B. Civata	2	M6x20		

KLİMA MONTAJI
AIRCONDITION MOUNTING

No	Parça No	Adı	Description	Adet	Not	Seri No	Y. Kul. S.K.
No	Part No			Q'ty	Note	Serial No	ICA S.C.
45	N03/1310008	Yaylı Rondela	Washer,Spr.	2	M6		
46	H252700801	Sıvı, Hortum-A	Liquid Hose-A	1		9125001-	
48	H342730401	Sıvı, Hortum-B	Liquid Hose-B	1		9125001-	
54	H252701001	Boşaltım Hortumu	Dis. Hose	1		9125001-	
51	H252701101	Emiş Hortumu	Suc. Hose	1		9125001-	
56	H342700301	Klima Kompleksi	Air Condition Unit	1		9125001-	
61	H342704501	Çamur Tutucu	Mud Holder	1			
63	N07/4010016	Kelepçe	Clamp	1			
66	H342700401	Kontrol Ünitesi	Control Unit	1		9125001-	
67	N07/4311627	Kelepçe	Clamp	6			
68	N01/0380434	A.K.B Cıvata	Bolt, Hex.	2	M8x55		
69	H342735700	Bağlantı Sacı, Vana	Plate, Valve	1		9125001-	
70	H252701700	Dirsek	Elbow	1		9125001-	
71	H252701800	Rekor	Connector	1	M16x1.5		
72	H342736100	Vana Montajı	Valve Ass'y	1		9125001-	
73	H252701900	Hortum, Isıtıcı, A1	Liquid Hose, Htr, A1	1		9125001-	
74	H252702000	Hortum, Isıtıcı, A2	Liquid Hose, Htr, A2	1		9125001-	
75	H252702100	Hortum, Isıtıcı, B	Liquid Hose, Htr, B	1		9125001-	
76	H06/9111000	Kağıt Hortum	Hose, Paper	1		9125001-	
77	H349084001	Klima Müşürü	Pressure Switch	1		9125001-	

ISITICI MONTAJI HEATER MOUNTING



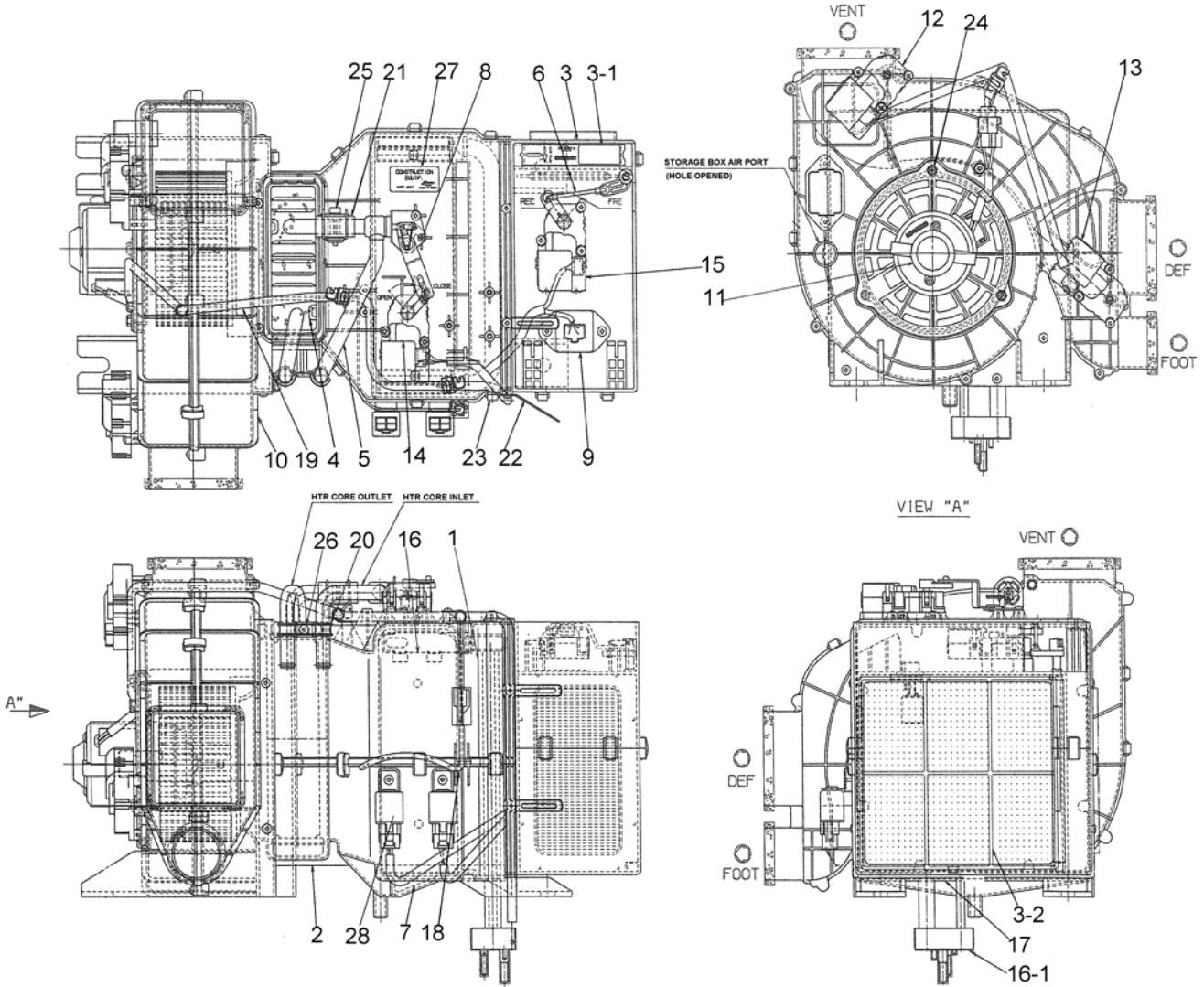
ISITICI MONTAJI
HEATER MOUNTING

No	Parça No	Adı	Description	Adet	Not	Seri No	Y. Kul. S.K.
No	Part No			Q'ty	Note	Serial No	ICA S.C.
1	H342710200	Kalorifer Peteği	Heater	1			
2	N07/4016027	Kelepçe	Clamp	2			
3	H252710400	Hortum, Isıtıcı-A3	Hose, Heater A3	1			
4	H342711301	Kalorifer Mus. Komp	Valve Ass'y	1			
4_1	H342711401	Kalorifer Musluğu	Valve	1			
4_2	H342711601	Kumanda Mekaniz.	Switch	1			
4_3	H342711500	Mekanizma Teli	Wire	1			
4_4	H342711802	Tutamak	Handle	1			
5	N07/4016027	Kelepçe	Clamp	2			
6	H252710300	Hortum, Isıtıcı-A2	Hose, Heater A2	1			
7	H342735100	Vana Montajı	Valve Mounting	1			
7_1	N14/0010650	Küresel Vana	Cock Valve	1			
7_2	H342711200	Rekor	Connector	2			
8	N07/4016027	Kelepçe	Clamp	2			
9	H342735700	Bağlantı Sacı, Vana	Bracket, Valve	1			
10	N01/0380434	A.K.B. Civata	Bolt, Hex.	2	M8x55		
11	N03/1310010	Yaylı Rondela	Washer, Spr.	2	M8		
12	N03/0100017	Pul	Washer, Pln.	2	M8		
13	H252710200	Hortum, Isıtıcı-A1	Hose, Heater A1	1			
14	H252710600	Rekor	Connector	1			
15	N07/4016027	Kelepçe	Clamp	1			
16	H252710500	Hortum, Isıtıcı B	Hose, Heater B	1			
17	H252710100	Dirsek	Elbow	1			
18	N07/4016027	Kelepçe	Clamp	1			
101	554/01000	Klima Fan Sivici	Aircon Fan Switch	1			
102	H342720302	Klim/Isıtıcı Kont.Sacı	Plate	1		5125001-6125001	D
	H342720303	Klim/Isıtıcı Kont.Sacı	Plate	1		6125002-	D
103	H342711802	Tutamak	Handle	1			
104	H342723700	Etiket	Decal	1		5125001-6125001	D
	H342723701	Etiket	Decal	1		6125002-	D
105	H342720500	Fan	Fan				
106	N04/1150338	Y.S.B. Civata	Bolt	16	M3.9x13		
107	H342720602	Kutu Göv., K.M.	Aircon Heater Box	1			
108	N01/0232114	A.K.B. Civata	Bolt, Hex.	4	M8x15		
109	N03/0100017	Pul	Washer, Pln.	4	M8		
110	N03/1310010	Yaylı Rondela	Washer, Spr.	4	M8		
116	H342722503	Kapak, K.M.	Cover, W.A.	1			
117	N01/0221514	A.K.B. Civata	Bolt, Hex.	5	M6x20		
118	N03/0100013	Yaylı Rondela	Washer, Spr.	5	M6		
120	H342727301	İç Hava Filt. Mont.	Polen Filter Ass'y	1			
120_1	H342727401	İç Hava Filt. Sacı.	Plate, Filter	1			
120_2	H342727501	Polen Filtre	Filter, Polen	1			
123	H342723501	Bağ. Sacı K.M., Evap.	Plate W.A., Evap.	1			
124	N01/0221478	A.K.B. Civata	Bolt, Hex.	2	M6x15		

ISITICI MONTAJI
HEATER MOUNTING

No	Parça No	Adı	Adet	Not	Seri No	Y. Kul. S.K.
No	Part No	Description	Q'ty	Note	Serial No	ICA S.C.
125	N03/1310008	Yaylı Rondela	2	M6		
130	H342726001	Kapak, K.M., Orta	1			
132	N04/1150349	Y.S.B. Civata	13	M3.9x16		
133	H342726901	Kapak, K.M., Sağ	1			
136	H342726501	Kapak, K.M., Sol	1			
139	H342727600	Lastik	4			
140	810/40005	Destek Lastiği	1			
141	98Z030010	Fitul		L=0.6m		
142	N03/0020004	Pul	2	M6		

KLİMA ÜNİTESİ AIRCONDITION UNIT



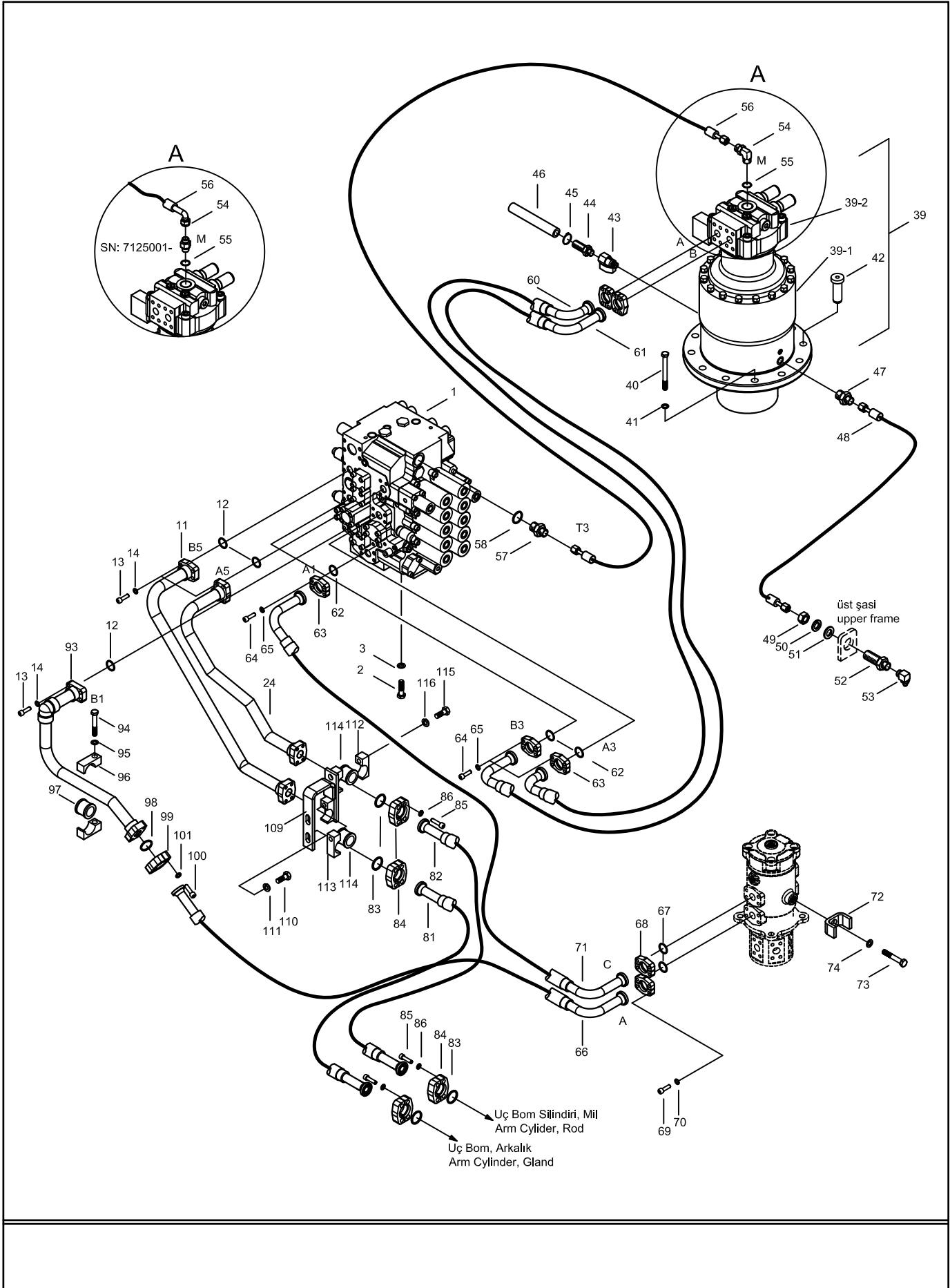
NOT: Bu görüntü 9125001- seri nolu makineden itibaren geçerlidir.
NOTE: This view is valid from 9125001- serial number machine.

KLİMA ÜNİTESİ AIRCONDITION UNIT

No	Parça No	Adı	Adet	Not	Seri No	Y. Kul. S.K.
No	Part No	Description	Q'ty	Note	Serial No	ICA S.C.
1	H349084004	Ünite Kasası, Üst	1			
2	H349084005	Ünite Kasası, Alt	1			
3	H349084006	Hava Giriş Kasa Komp.	1			
3_1	H349084002	Dış Filtre	1			
3_2	H349084003	İç Filtre	1			
4	H349084007	Kalorifer Peteği	1			
5	H349084008	Su Vanası	1			
6	H349084009	Giriş Rodu	1			
8	H349084010	Vida	1			
9	H349084011	Rezistör, Seramik	1			
10	H349084012	Üfleç Kasası	1			
11	H349084013	Fan-Motor Komp.	1			
12	H349084014	Arka Menfez	1			
		Kumanda				
13	H349084015	Ayak-Buz Çözücü	1			
		Menfez, Kumanda				
14	H349084016	Sıcaklık Kumanda	1			
15	H349084017	İç Hava Dolaşım Kum.	1			
16	H349084018	Evaporatör Komitesi	1			
16_1	H349084019	Kapak	1			
16_2	H349084020	Genleşme Valfi	1			
17	H349084021	Yan Plaka	1			
18	H349084022	Hararet Müşürü	1			
19	H349084023	Tesisat Komp.	1			
20	H349084024	Tesisat Kelepçesi	1			
21	H349084025	Hortum, Su	1			
22	H349084026	Tesisat Tutucu	6			
23	H349084027	Klips	9			
24	H349084028	Vida	3			
25	H349084029	Kelepçe Komp.	1			
26	H349084030	Vida	29			
27	H349084031	Etiket	1			
28	H349084032	Röle	2			

ANA HİDROLİK MONTAJI (1/3)

MAIN PIPING MOUNTING (1/3)



ANA HİDROLİK MONTAJI (1/3)

MAIN PIPING MOUNTING (1/3)

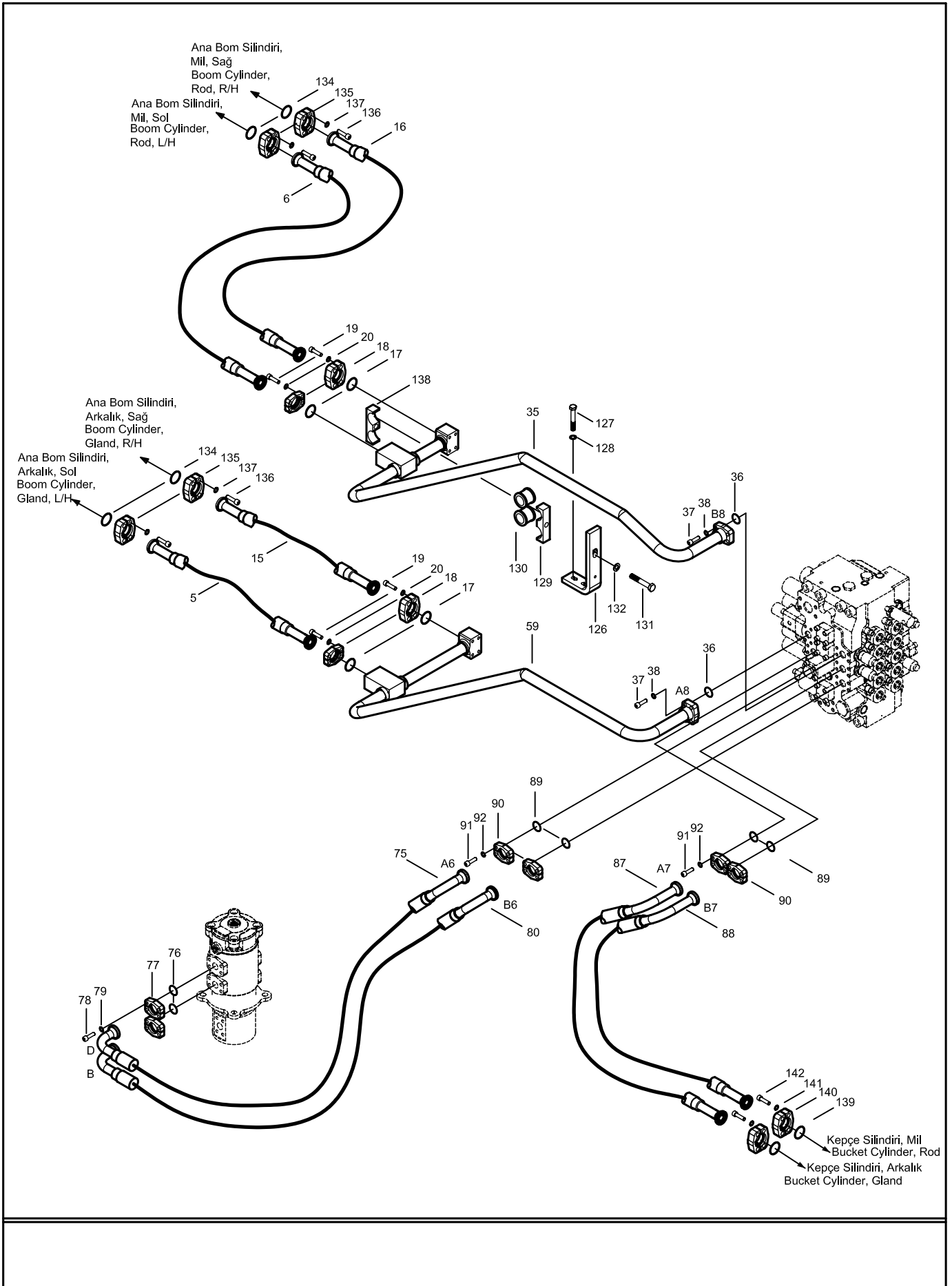
No	Parça No	Adı	Description	Adet	Not	Seri No	Y. Kul. S.K.
No	Part No			Q'ty	Note	Serial No	ICA S.C.
1	H253000100	Ana Kumanda Valfi	Main Control Valve	1			
2	N01/0233566	A.K.B. Civata	Bolt, Hex	4	M16x35		
3	N03/1310014	Yaylı Rondela	Washer, Spr.	4	M16		
11	H253000800	Boru K.M.	Pipe, W.A.	1			
12	N10/2003335	O-Ring	O-Ring	3			
13	N01/5890830	S.B. Civata	Bolt, Cyl. Hd.	12	M10x35		
14	N03/1360010	Yaylı Rondela	Washer, Spr.	12	M10		
24	H253001300	Boru K.M.	Pipe, W.A.	1			
39	H253001900	Kule Dön. Ünitesi	Swing Unit	1			A
	H253001901	Kule Dön. Ünitesi	Swing Unit	1			A
	H253001902	Kule Dön. Ünitesi	Swing Unit	1			A
39_1		Dişli Kutusu	Reduction Gear	1	bak/see 253016-00		
39_2		Motor Komitesi	Motor Ass'y	1	bak/see 253017-00		
40	N01/0382018	A.K.B. Civata	Bolt, Hex.	12	M24x75		
41	N03/0800005	Pul	Washer, Pln.	12	M24		
42	H343003100	Pim, Kule D. Ünitesi	Pin, Swing Unit	2			
43	N14/0020300	Küresel Vana	Spherical Valve	1			
44	H343008100	Adaptör	Connector	1			
45	N07/4010016	Kelepçe	Clamp	1			
46	H343008200	Hortum	Hose	1			
47	N16/K440301	Nipel	Connector	1			OP
48	97N091221	Hortum Komitesi	Hose Ass'y	1			OP
49	N02/3560326	Somun	Nut	1	M16		OP
50	N03/1310014	Yaylı Rondela	Washer, Spr.	1	M16		OP
51	N03/0100027	Pul	Washer, Pln.	1	M16		OP
52	H343011300	Nipel	Connector	1			
53	N08/1130000	Gresörlük	Grease Nipple	1			
54	N16/N910005	Dirsek	Elbow	1			D
	N16/K114345	Rekor	Connector	1	*	7125001-	C
55	N10/2002835	O-Ring	O-Ring	1			
56	99N095209	Hortum Komitesi	Hose Ass'y	1			D
	99Q095209	Hortum Komitesi	Hose Ass'y	1	*	7125001-	C
57	N16/K114345	Rekor	Connector	1			
58	N10/2002835	O-Ring	O-Ring	1			
60	H253002400	Hortum Komitesi	Hose Ass'y	1			
61	H253002500	Hortum Komitesi	Hose Ass'y	1			
62	N10/2003335	O-Ring	O-Ring	3			
63	N16/J360104	Yarım Flanş	Split Flange	6			
64	N01/5890830	S.B. Civata	Bolt, Cyl. Hd.	12	M10x35		
65	N03/1360010	Yaylı Rondela	Washer, Spr.	12	M10		
66	H253002600	Hortum Komitesi	Hose Ass'y	1			
67	N10/2003335	O-Ring	O-Ring	2			
68	N16/J360104	Yarım Flanş	Split Flange	4			
69	N01/5890830	S.B. Civata	Bolt, Cyl. Hd.	8	M10x35		

(*) 99Q095209 hortum komitesi, N16/K114345 rekoru ile birlikte 99N095209 yerine kullanılabilir. / 99Q095209 hose ass'y can be used instead of 99N095209 with N16/K114345 connector.

ANA HİDROLİK MONTAJI (1/3)
MAIN PIPING MOUNTING (1/3)

No	Parça No	Adı	Description	Adet	Not	Seri No	Y. Kul. S.K.
No	Part No			Q'ty	Note	Serial No	ICA S.C.
70	N03/1360010	Yaylı Rondela	Washer, Spr.	8	M10		
71	H253002700	Hortum Kompleksi	Hose Ass'y	1			
72	H343002100	Destek Parçası	Support	1			
73	N01/0234238	A.K.B. Civata	Bolt, Hex.	1	M20x30		
74	N03/1310016	Yaylı Rondela	Washer, Spr.	1	M20		
81	H253003000	Hortum Kompleksi	Hose Ass'y	1			
82	H253003100	Hortum Kompleksi	Hose Ass'y	1			
83	N10/2003335	O-Ring	O-Ring	4			
84	N16/J360104	Yarım Flanş	Split Flange	8			
85	N01/5890854	S.B. Civata	Bolt, Cyl. Hd.	16	M10x45		
86	N03/1360010	Yaylı Rondela	Washer, Spr.	16	M10		
93	H253003400	Boru K.M.	Pipe, W.A.	1		6125001-7125???	D
	H253003401	Boru K.M.	Pipe, W.A.	1		7125???	C
94	N01/0381238	A.K.B. Civata	Bolt, Hex.	1	M16x55		
95	N03/1310014	Yaylı Rondela	Washer, Spr.	1	M16		
96	H343301500	Kelepçe	Clamp	1			
97	H340102500	Lastik	Rubber	1			
98	N10/2003335	O-Ring	O-Ring	1			
99	N16/J360104	Yarım Flanş	Split Flange	2			
100	N01/5890842	S.B. Civata	Bolt, Cyl. Hd.	4	M10x40		
101	N03/1360010	Yaylı Rondela	Washer, Spr.	4	M10		
109	H253003800	Kelepçe Sacı K.M.	Clamp Support WA	1			
110	N01/0233566	A.K.B. Civata	Bolt, Hex.	2	M16x35		
111	N03/1310014	Yaylı Rondela	Washer, Spr.	2	M16		
112	H343301500	Kelepçe	Clamp	1			
113	H340104400	Kelepçe	Clamp	1			
114	H340102500	Lastik	Rubber	2			
115	N01/0381238	A.K.B. Civata	Bolt, Hex.	2	M16x55		
116	N03/1310014	Yaylı Rondela	Washer, Spr.	2	M16		

ANA HİDROLİK MONTAJI (2/3) MAIN PIPING MOUNTING (2/3)

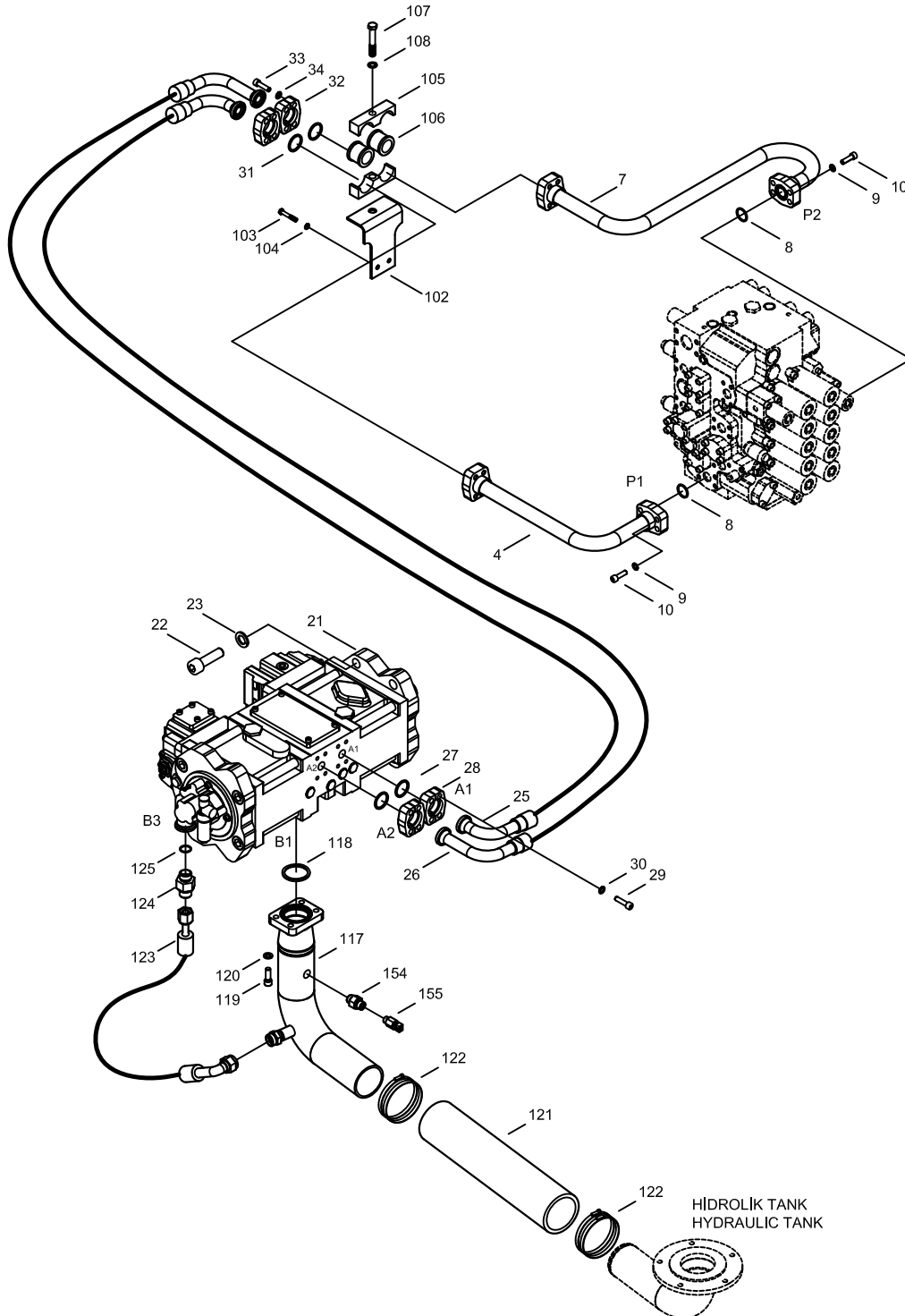


ANA HİDROLİK MONTAJI (2/3)

MAIN PIPING MOUNTING (2/3)

No	Parça No	Adı	Description	Adet	Not	Seri No	Y. Kul. S.K.
No	Part No			Q'ty	Note	Serial No	ICA S.C.
4	H253000200	Boru K.M.	Pipe W.A.	1			
5	H253000400	Hortum Komp.	Hose Ass'y	1			
6	H253000500	Hortum Komp.	Hose Ass'y	1			
15	H253000900	Hortum Komp.	Hose Ass'y	1			
16	H253001000	Hortum Komp.	Hose Ass'y	1			
17	N10/2003335	O-Ring	O-Ring	4			
18	N16/J360104	Yarım Flanş	Split Flange	8			
19	N01/5890842	S.B. Cıvata	Bolt, Cyl. Hd.	16	M10x40		
20	N03/1360010	Yaylı Rondela	Washer, Spr.	16	M10		
35	H253001700	Boru K.M.	Pipe W.A.	1			
36	N10/2003335	O-Ring	O-Ring	2			
37	N01/5890830	S.B. Cıvata	Bolt, Cyl. Hd.	8	M10x35		
38	N03/1360010	Yaylı Rondela	Washer, Spr.	8	M10		
59	H253002200	Boru K.M.	Pipe W.A.	1			
75	H253002800	Hortum Komp.	Hose Ass'y	1			
76	N10/2003335	O-Ring	O-Ring	2			
77	N16/J360104	Yarım Flanş	Split Flange	4			
78	N01/5890830	S.B. Cıvata	Bolt, Cyl. Hd.	8	M10x35		
79	N03/1360010	Yaylı Rondela	Washer, Spr.	8	M10		
80	H253002900	Hortum Komp.	Hose Ass'y	1			
87	H253003200	Hortum Komp.	Hose Ass'y	1			
88	H253003300	Hortum Komp.	Hose Ass'y	1			
89	N10/2003335	O-Ring	O-Ring	4			
90	N16/J360104	Yarım Flanş	Split Flange	8			
91	N01/5890830	S.B. Cıvata	Bolt, Cyl. Hd.	16	M10x35		
92	N03/1360010	Yaylı Rondela	Washer, Spr.	16	M10		
126	H343002500	Destek Parçası	Support	1			
127	N01/0232822	A.K.B. Cıvata	Bolt, Hex.	2	M12x25		
128	N03/1310012	Yaylı Rondela	Washer, Spr.	2	M12		
129	H343003200	Kelepçe	Clamp	1			
130	H340102500	Lastik	Rubber	4			
131	N01/0381286	A.K.B. Cıvata	Bolt, Hex.	1	M16x75		
132	N03/1310014	Yaylı Rondela	Washer, Spr.	1	M16		
134	N10/2003335	O-Ring	O-Ring	4			
135	N16/J360104	Yarım Flanş	Split Flange	8			
136	N01/5890854	S.B. Cıvata	Bolt, Cyl. Hd.	16	M10x45		
137	N03/1360010	Yaylı Rondela	Washer, Spr.	16	M10		
138	H343011200	Kelepçe	Clamp	1			
139	N10/2003335	O-Ring	O-Ring	4			
140	N16/J360104	Yarım Flanş	Split Flange	8			
141	N01/5890854	S.B. Cıvata	Bolt, Cyl. Hd.	16	M10x45		
142	N03/1360010	Yaylı Rondela	Washer, Spr.	16	M10		

ANA HİDROLİK MONTAJI (3/3) MAIN PIPING MOUNTING (3/3)

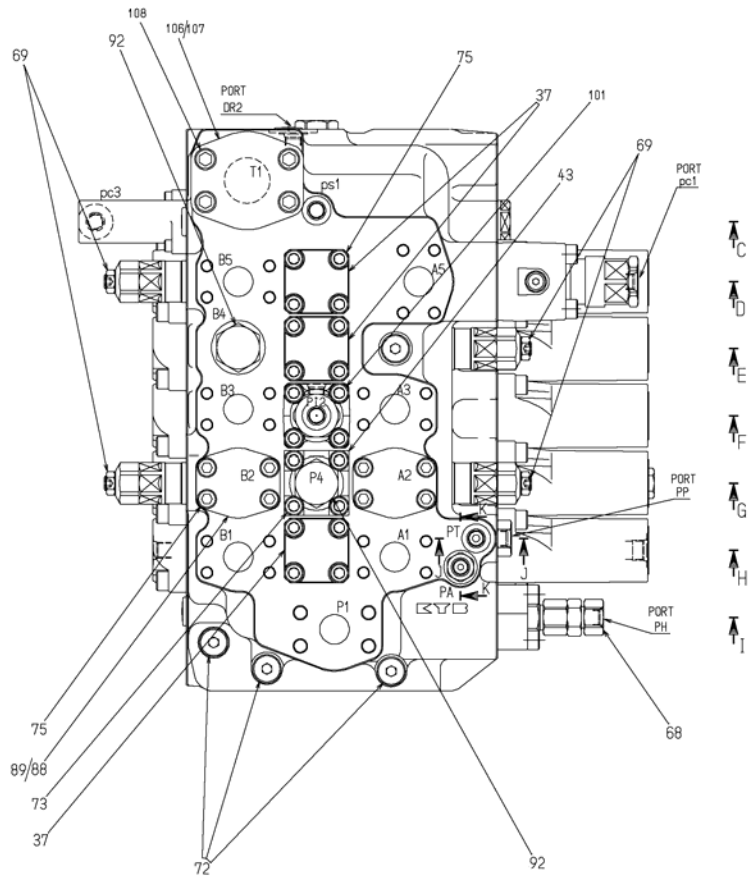
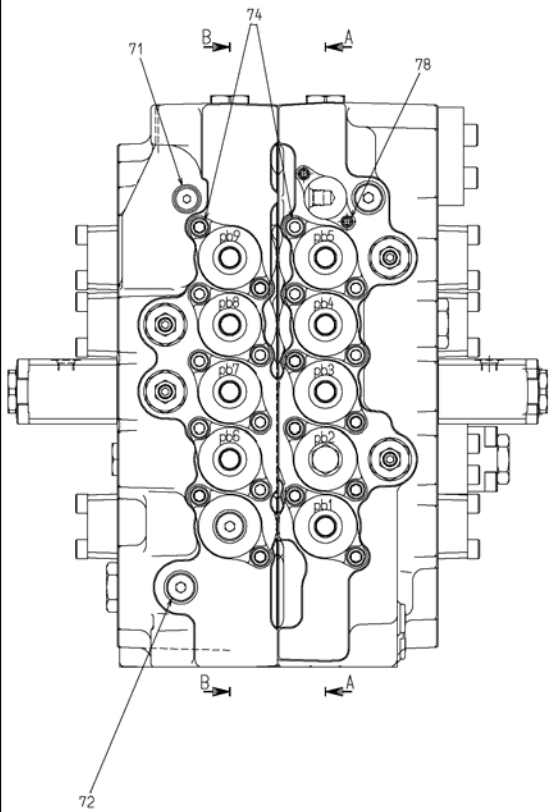
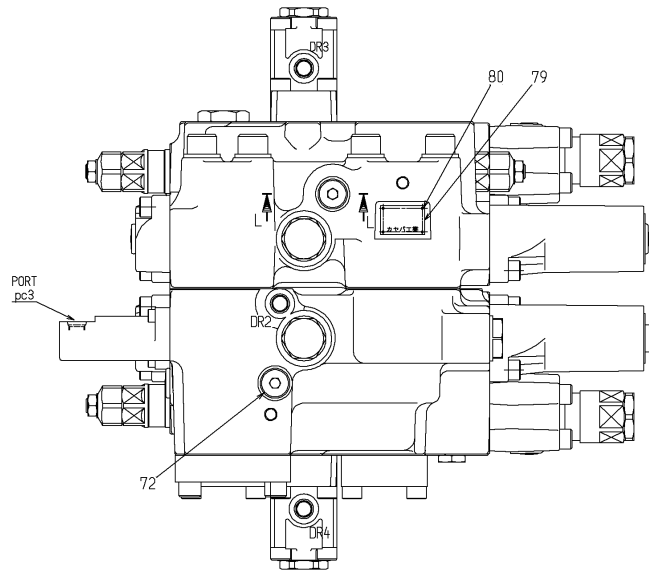
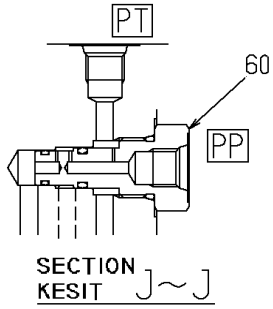


ANA HİDROLİK MONTAJI (3/3)

MAIN PIPING MOUNTING (3/3)

No	Parça No	Adı	Adet	Not	Seri No	Y. Kul. S.K.
No	Part No	Description	Q'ty	Note	Serial No	ICA S.C.
4	H253000200	Boru K.M.	1			
7	H253000600	Boru K.M.	1			
8	N10/2003335	O-Ring	2			
9	N01/5891202	S.B. Cıvata	8	M12x45		
10	N03/1360011	Yaylı Rondela	8	M12		
21	H253001200	Hidrolik Pompa	1			
	H253001201	Hidrolik Pompa	1	sessiz pompa/low noise		
22	N01/5892054	S.B. Cıvata	4	M20x60		
23	N03/1360015	Yaylı Rondela	4	M20		
25	H253001400	Hortum Komitesi	1			
26	H253001500	Hortum Komitesi	1			
27	N10/2003335	O-Ring	2			
28	N16/J460104	Yarım Flanş	4			
29	N01/5891202	S.B. Cıvata	8	M12x45		
30	N03/1360011	Yaylı Rondela	8	M12		
31	N10/2003335	O-Ring	2			
32	N16/J460104	Yarım Flanş	4			
33	N01/5891226	S.B. Cıvata	8	M12x55		
34	N03/1360011	Yaylı Rondela	8	M12		
102	H253003600	Tutucu K.M.	1			
103	N01/0232462	A.K.B. Cıvata	2	M10x25		
104	N03/1310011	Yaylı Rondela	2	M10		
105	H343003200	Kelepçe	2			
106	H340102500	Lastik	2			
107	N01/0381310	A.K.B. Cıvata	1	M16x85		
108	N03/1310014	Yaylı Rondela	1	M16		
117	H253004100	Tesisat Komitesi	1		5125001-7125178	D
	H253011500	Tesisat Komitesi	1		9125001-	D
118	N10/2006935	O-Ring	1			
119	N01/5891178	S.B. Cıvata	4	M12x35		
120	N03/1360011	Yaylı Rondela	4	M12		
121	H253004900	Emiş Hortumu	1			
122	N07/8309710	Kelepçe	4			
123	99N094210	Hortum Komitesi	1			
124	N16/K114344	Rekor	1			
125	N10/2002436	O-Ring	1			
154	H343008600	Adaptör	1		9125001-	
155	515/22145	Yağ Hararet Müşürü	1		9125001-	

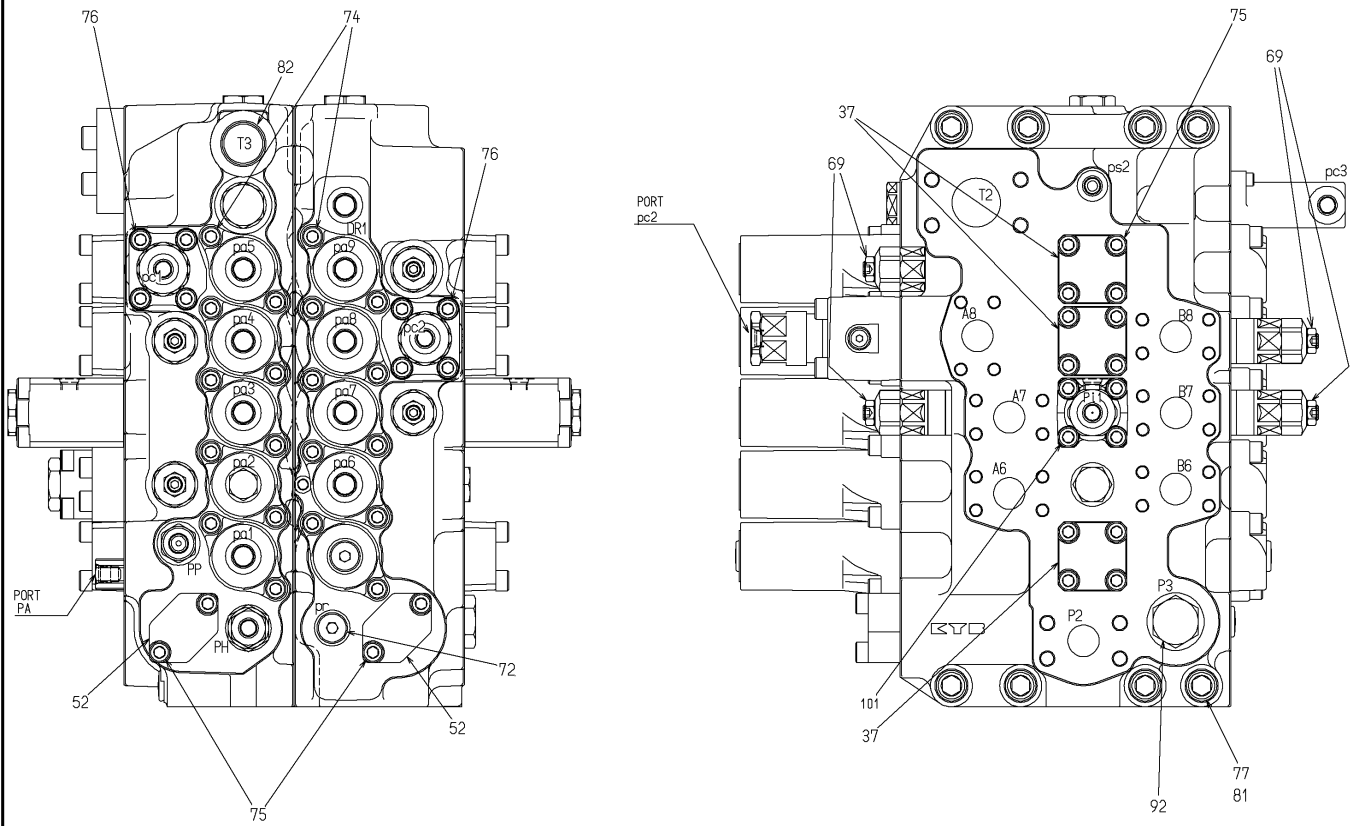
ANA KUMANDA VALFİ (1) MAIN CONTROL VALVE (1)



ANA KUMANDA VALFİ (1)
MAIN CONTROL VALVE (1)

No	Parça No	Adı	Adet	Not	Seri No	Y. Kul. S.K.
No	Part No	Description	Q'ty	Note	Serial No	ICA S.C.
37	H259015037	Flanş	6			
43	H259015043	Flanş	1			
60	H259015060	Tapa Komp.	1			
68	H259015068	Emniyet Valfi Kiti	1			
69	H259015069	Emniyet Valfi Kiti	8			
71	H259015071	Tapa Komp.	1			
72	H259015072	Tapa Komp.	11			
73	H259015073	Cıvata	4	M10x1.5x55		
74	H259015074	Cıvata	40	M10x1.5x28		
75	H259015075	Cıvata	36	M10x1.5x40		
78	H259015078	Cıvata	2	M6x1x20		
79	H259015079	Etiket	1			
80	H259015080	Vida	2			
88	H259015088	Kapak	2			
89	H259015089	O-Ring	2			
92	H259015092	Tapa Komp.	3			
101	H259015101	Cıvata	8	M10x1.5x90		
106	H259015106	Kapak	1			
107	H259015107	O-Ring	1			
108	H259015108	Cıvata	4	M12x1.75x40		

ANA KUMANDA VALFİ (2) MAIN CONTROL VALVE (2)



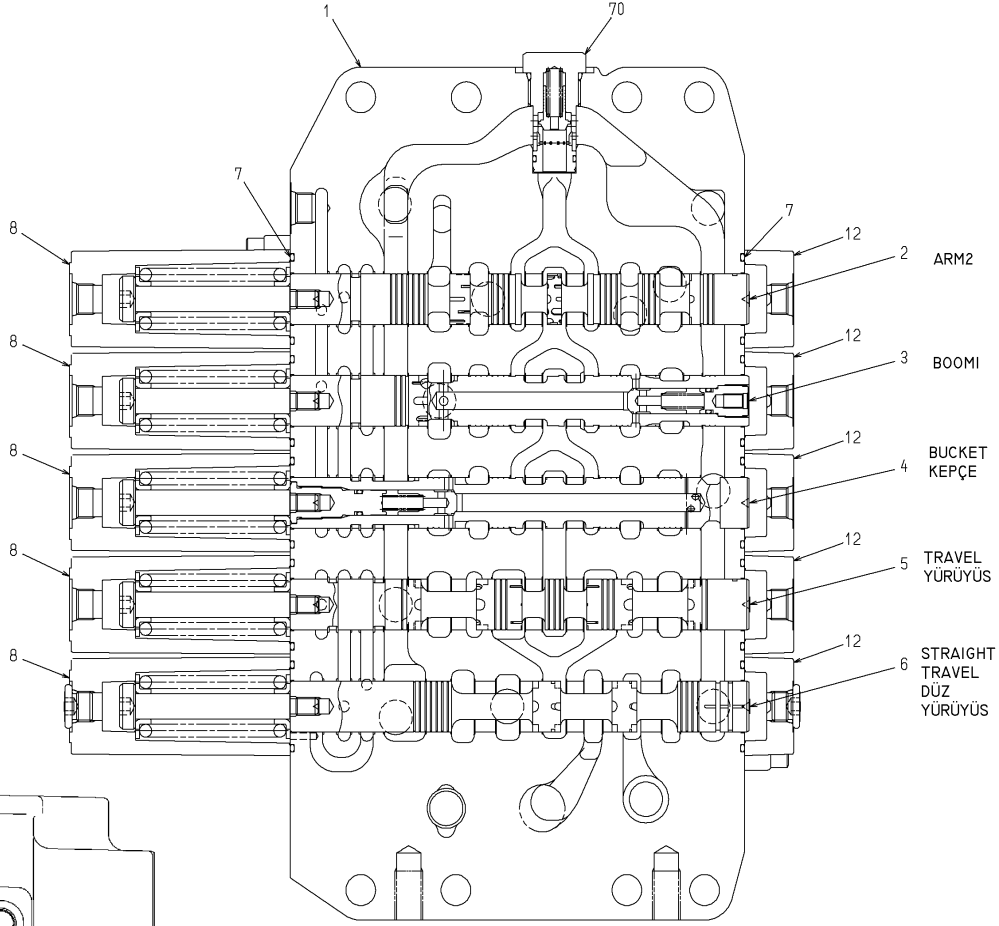
ANA KUMANDA VALFİ (2)
MAIN CONTROL VALVE (2)

No	Parça No	Adı	Description	Adet	Not	Seri No	Y. Kul. S.K.
No	Part No			Q'ty	Note	Serial No	ICA S.C.
37	H259015037	Flanş	Flange	6			
52	H259015052	Flanş	Flange	2			
69	H259015069	Emniyet Valfi Kiti	Relief Valve KIT	8			
72	H259015072	Tapa Komp.	Plug Ass'y	11			
74	H259015074	Cıvata	Socket Hd. Bolt	40	M10x1.5x28		
75	H259015075	Cıvata	Socket Hd. Bolt	36	M10x1.5x40		
76	H259015076	Cıvata	Socket Hd. Bolt	8	M10x1.5x70		
77	H259015077	Cıvata	Socket Hd. Bolt	8	M16x2x130		
81	H259015081	Pul	Washer	8			
92	H259015092	Tapa Komp.	Plug Ass'y	3			
101	H259015101	Cıvata	Socket Hd. Bolt	8	M10x1.5x90		

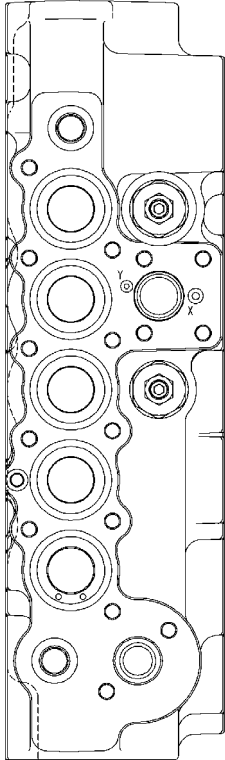
ANA KUMANDA VALFİ (3)
MAIN CONTROL VALVE (3)

No	Parça No	Adı	Description	Adet	Not	Seri No	Y. Kul. S.K.
No	Part No			Q'ty	Note	Serial No	ICA S.C.
5	H259015005	Sürgü Komp., Yürü.	Spool Ass'y, Travel	2			
7	H259015007	O-Ring	O-Ring	20			
8	H259015008	Kapak	Cap	10			
12	H259015012	Kapak	Cap	10			
13	H259015013	Valf Gövdesi	Valve Housing	1			
14	H259015014	Sürgü Komp., Arm1	Spool Ass'y, Arm1	1			
	H259015014A	Sürgü Komp., Arm1	Spool Ass'y, Arm1	1		A125010-	C
15	H259015015	Sürgü Komp., Bom2	Spool Ass'y, Boom2	1			
16	H259015016	Sürgü Komp., Kule	Spool Ass'y, Swing	1			
17	H259015017	Sürgü Komp., OP	Spool Ass'y, OP	1			
41	H259015041	O-Ring	O-Ring	2			
42	H259015042	O-Ring	O-Ring	2			
63	H259015063	Orifis Tapası	Orifice Plug	1			
65	H259015065	O-Ring	O-Ring	14			
66	H259015066	O-Ring	O-Ring	7			
70	H259015070	Emniyet Valfi Komp.	Relief Valve Ass'y	2			

ANA KUMANDA VALFİ (4) MAIN CONTROL VALVE (4)



SECTION
KESİT B~B

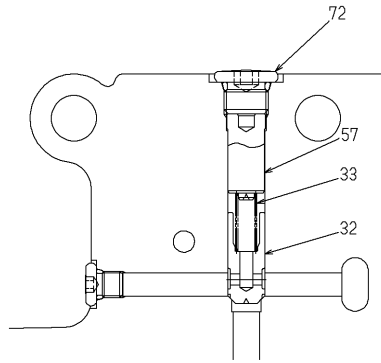


PILOT CAP JOINT SECTION
O-RING DETAILS (P2 SIDE)

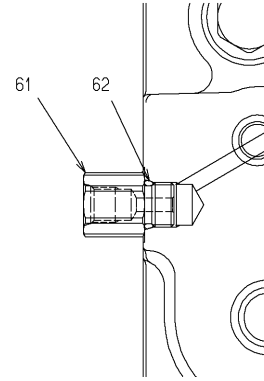
PILOT KAPAGI BAĞLANTI KESİTİ
O-RING DETAYLARI (P2 TARAFI)

X — 41 (1)

Y — 42 (1)



SECTION
KESİT L~L

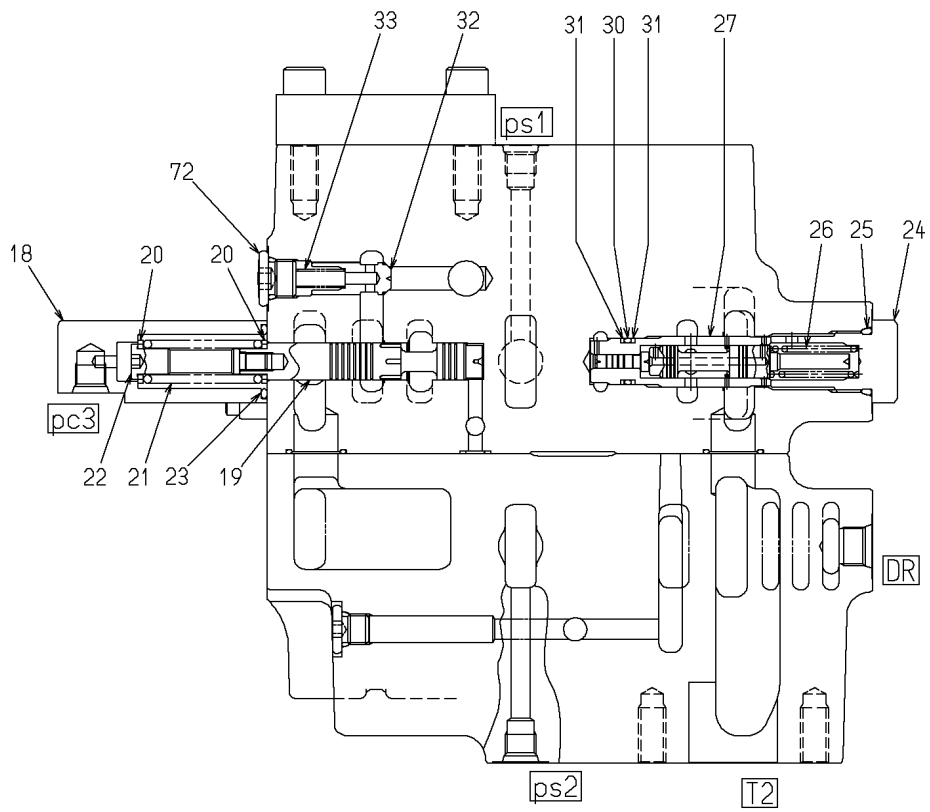


SECTION
KESİT K~K

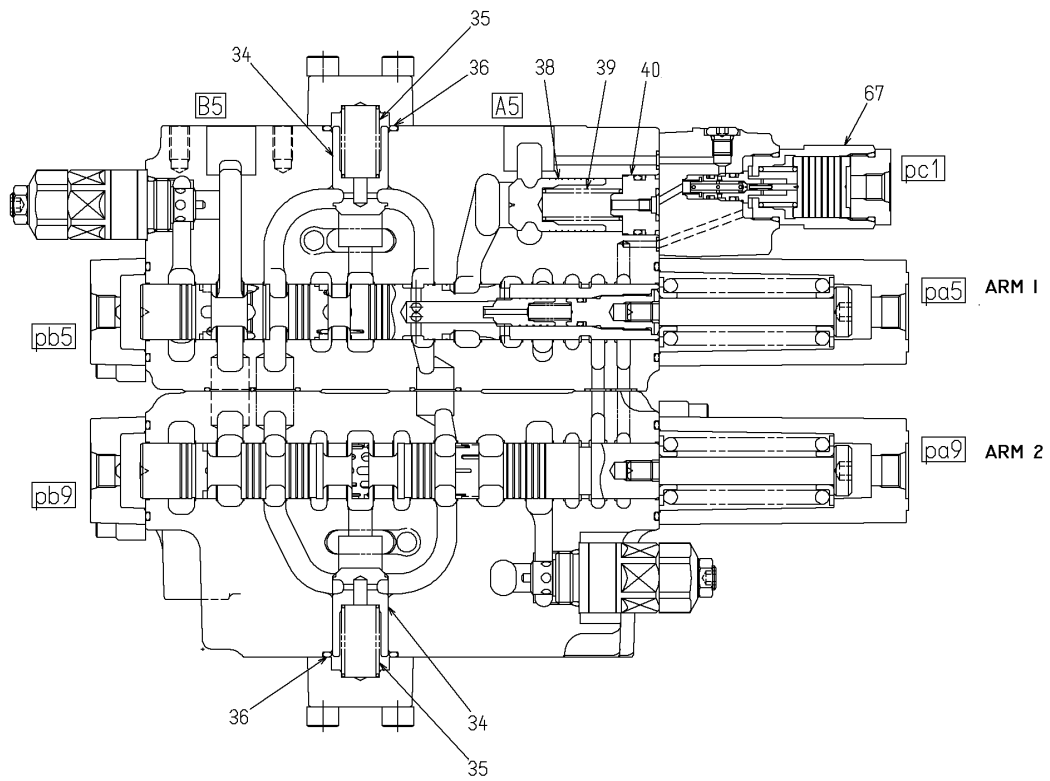
ANA KUMANDA VALFİ (4)
MAIN CONTROL VALVE (4)

No	Parça No	Adı	Description	Adet	Not	Seri No	Y. Kul. S.K.
No	Part No			Q'ty	Note	Serial No	ICA S.C.
1	H259015001	Valf Gövdesi	Valve Housing	1			
2	H259015002	Sürgü Komp., Arm2	Spool Ass'y, Arm2	1			
3	H259015003	Sürgü Komp., Bom1	Spool Ass'y, Boom1	1			
4	H259015004	Sürgü Komp., Kepçe	Spool Ass'y, Bucket	1			
5	H259015005	Sürgü Komp., Yürü.	Spool Ass'y, Travel	2			
6	H259015006	Sürgü Komp., D.Yürü.	Spool Ass'y, S.Travel	1			
7	H259015007	O-Ring	O-Ring	20			
8	H259015008	Kapak	Cap	10			
12	H259015012	Kapak	Cap	10			
32	H259015032	Popet	Poppet	2			
33	H259015033	Yay	Spring	2			
41	H259015041	O-Ring	O-Ring	2			
42	H259015042	O-Ring	O-Ring	2			
57	H259015057	Mesafe Burcu	Spacer	1			
61	H259015061	Tapa	Plug	1			
62	H259015062	O-Ring	O-Ring	2			
70	H259015070	Emniyet Valfi Komp.	Relief Valve Ass 'y	2			
72	H259015072	Tapa Komp.	Plug Ass'y	11			

ANA KUMANDA VALFİ (5) MAIN CONTROL VALVE (5)



SECTION
KESİT C~C

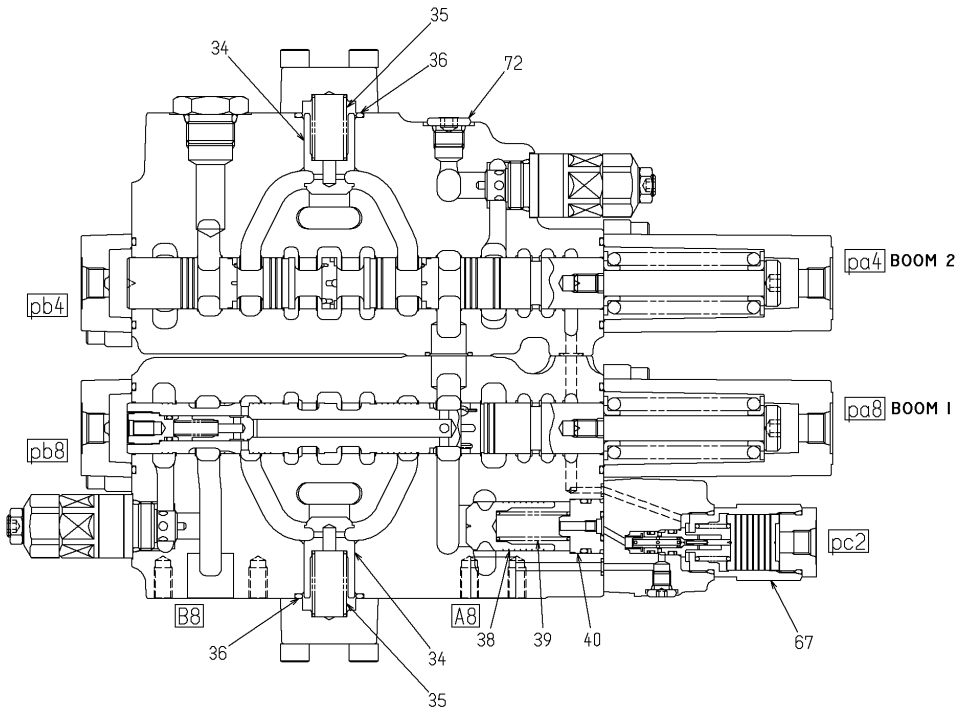


SECTION
KESİT D~D

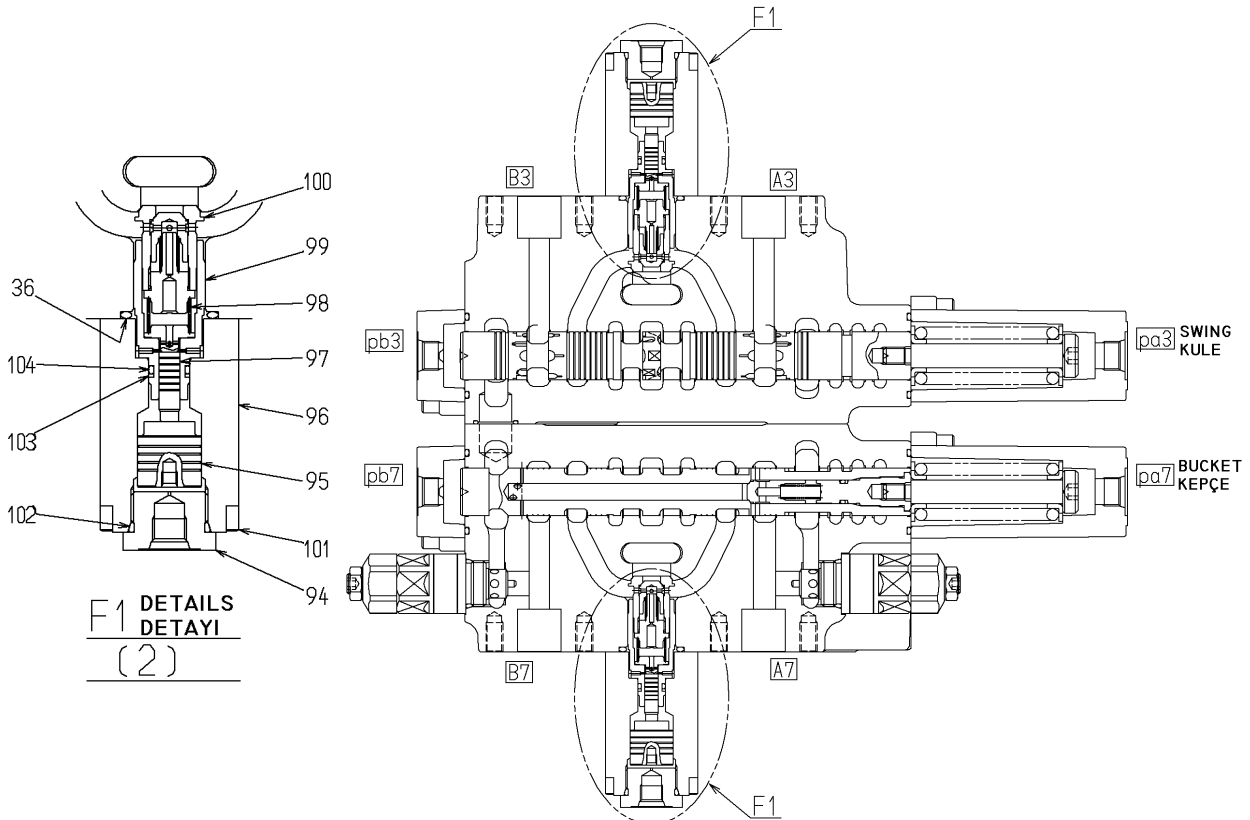
ANA KUMANDA VALFİ (5)
MAIN CONTROL VALVE (5)

No	Parça No	Adı	Description	Adet	Not	Seri No	Y. Kul. S.K.
No	Part No			Q'ty	Note	Serial No	ICA S.C.
18	H259015018	Kapak	Cap	1			
19	H259015019	Sürgü	Spool	1			
20	H259015020	Yay Tutucu	Spring Seat	2			
21	H259015021	Yay	Spring	1			
22	H259015022	Sürgü Tahtidi	Spool End	1			
23	H259015023	O-Ring	O-Ring	1			
24	H259015024	Tapa	Plug	1			
25	H259015025	O-Ring	O-Ring	1			
26	H259015026	Yay	Spring	1			
27	H259015027	Sürgü Komp.	Spool Ass'y	1		6125003-	
30	H259015030	O-Ring	O-Ring	1			
31	H259015031	Back-Up Ring	Back-Up Ring	2			
32	H259015032	Popet	Poppet	2			
33	H259015033	Yay	Spring	2			
34	H259015034	Popet	Poppet	6			
35	H259015035	Yay	Spring	7			
36	H259015036	O-Ring	O-Ring	9			
38	H259015038	Popet	Poppet	2			
39	H259015039	Yay	Spring	2			
40	H259015040	Mesafe Burcu Komp.	Spacer Ass'y	2			
67	H259015067	Yük Tutma Valfi Komp	Anti Drift Valve Ass'y	2			
72	H259015072	Tapa Komp.	Plug Ass'y	11			
	• H259015110	Sürgü Kompleksi	Spool Ass'y	1	No: 19, 20, 22		
	• H259015109	Sürgü KİTİ	Spool KIT	1			

ANA KUMANDA VALFİ (6) MAIN CONTROL VALVE (6)



SECTION
KESİT E~E

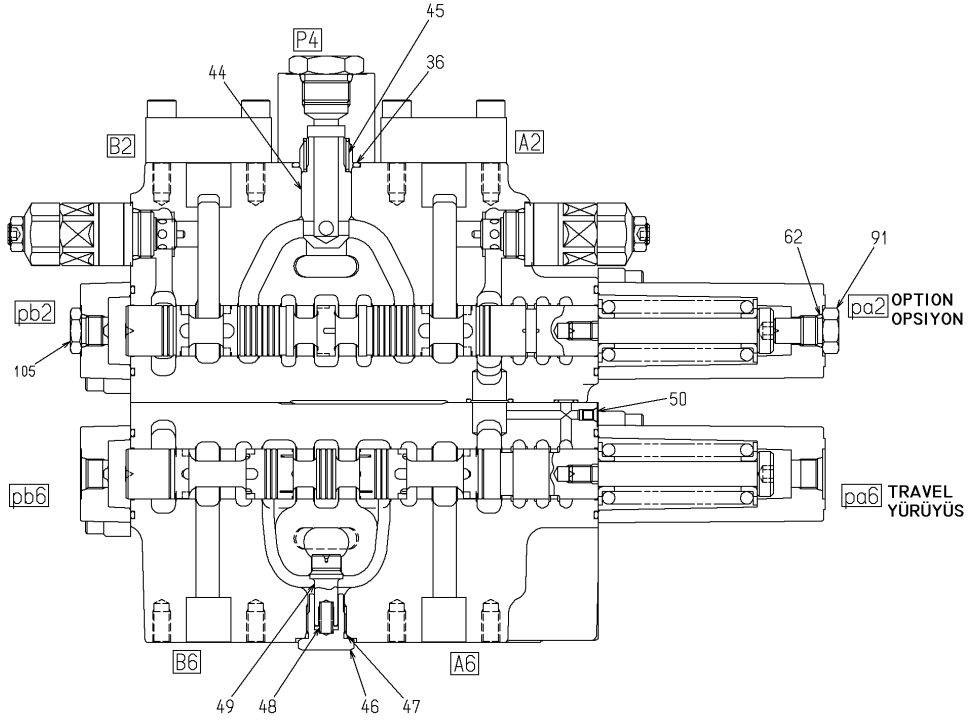


SECTION
KESİT F~F

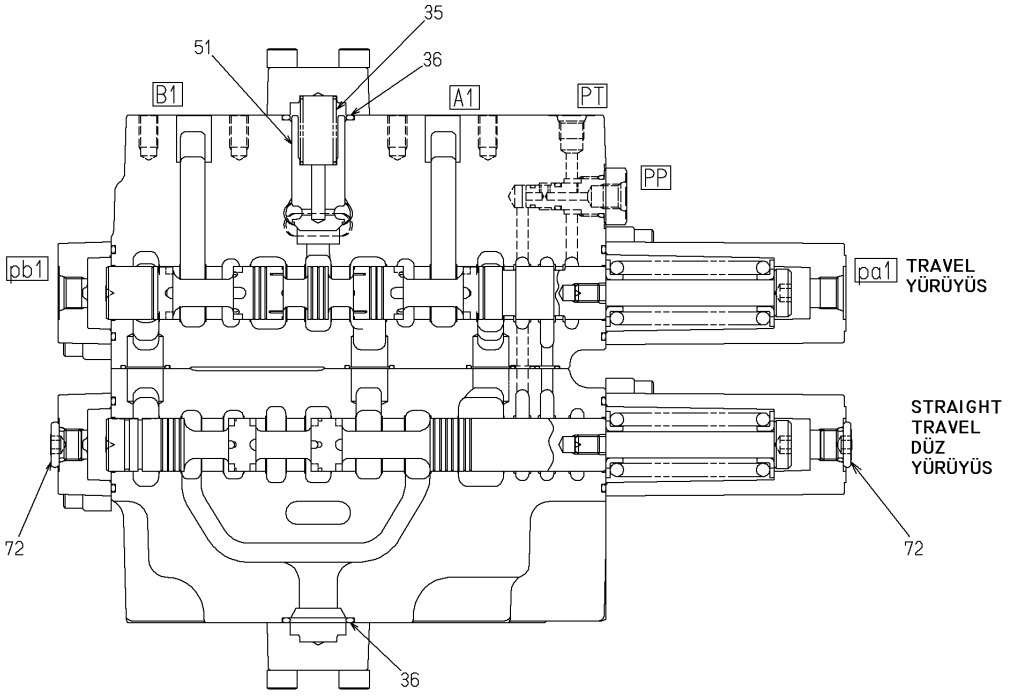
ANA KUMANDA VALFİ (6)
MAIN CONTROL VALVE (6)

No	Parça No	Adı	Description	Adet	Not	Seri No	Y. Kul. S.K.
No	Part No			Q'ty	Note	Serial No	ICA S.C.
34	H259015034	Popet	Poppet	6			
35	H259015035	Yay	Spring	7			
36	H259015036	O-Ring	O-Ring	9			
38	H259015038	Popet	Poppet	2			
39	H259015039	Yay	Spring	2			
40	H259015040	Mesafe Burcu Komp.	Spacer Ass'y	2			
67	H259015067	Yük Tutma Valfi Komp	Anti Drift Valve Ass'y	2			
72	H259015072	Tapa Komp.	Plug Ass'y	11			
94	H259015094	Tapa	Plug	2			
95	H259015095	Piston	Piston	2			
96	H259015096	Gövde	Body	2			
97	H259015097	Piston	Piston	2			
98	H259015098	Yay	Spring	2			
99	H259015099	Gömlek	Sleeve	2			
100	H259015100	Popet Komp.	Poppet Ass'y	2			
101	H259015101	Cıvata	Socket Hd. Bolt	8	M10x1.5x90		
102	H259015102	O-Ring	O-Ring	2			
103	H259015103	Back-Up Ring	Back-Up Ring	2			
104	H259015104	O-Ring	O-Ring	2			

ANA KUMANDA VALFİ (7) MAIN CONTROL VALVE (7)



SECTION
KESİT G~G

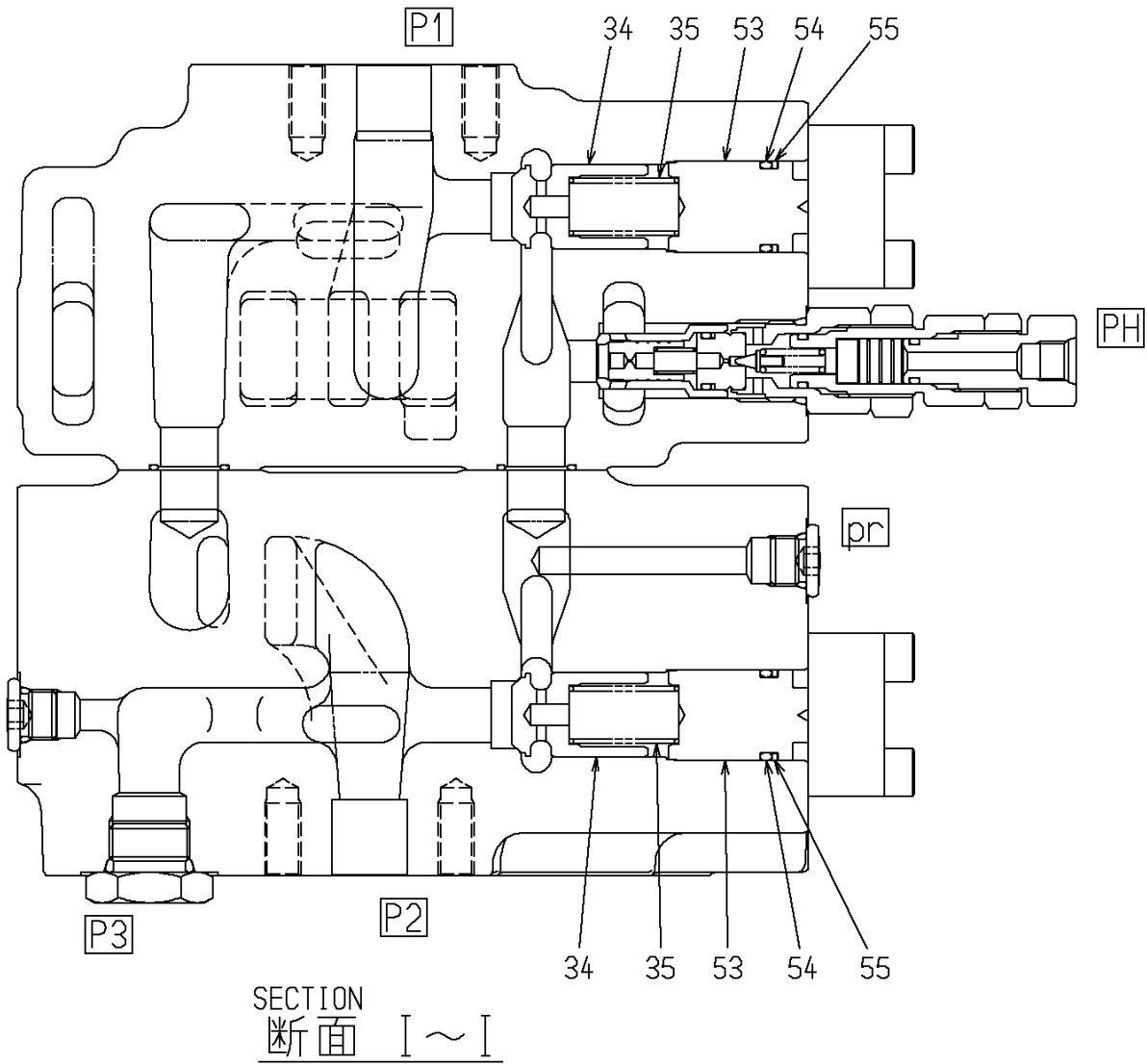


SECTION
KESİT H~H

ANA KUMANDA VALFİ (7)
MAIN CONTROL VALVE (7)

No	Parça No	Adı	Adet	Not	Seri No	Y. Kul. S.K.
No	Part No	Description	Q'ty	Note	Serial No	ICA S.C.
35	H259015035	Yay	Spring	7		
36	H259015036	O-Ring	O-Ring	9		
44	H259015044	Popet	Poppet	1		
45	H259015045	Yay	Spring	1		
46	H259015046	Tapa	Plug	1		
47	H259015047	O-Ring	O-Ring	1		
48	H259015048	Yay	Spring	1		
49	H259015049	Popet	Poppet	1		
50	H259015050	Tapa	Plug	1		
51	H259015051	Popet	Poppet	1		
62	H259015062	O-Ring	O-Ring	2		
72	H259015072	Tapa Komp.	Plug Ass'y	11		
91	H259015091	Tapa	Plug	1		
105	H259015105	Tapa Komp.	Plug Ass'y	1		

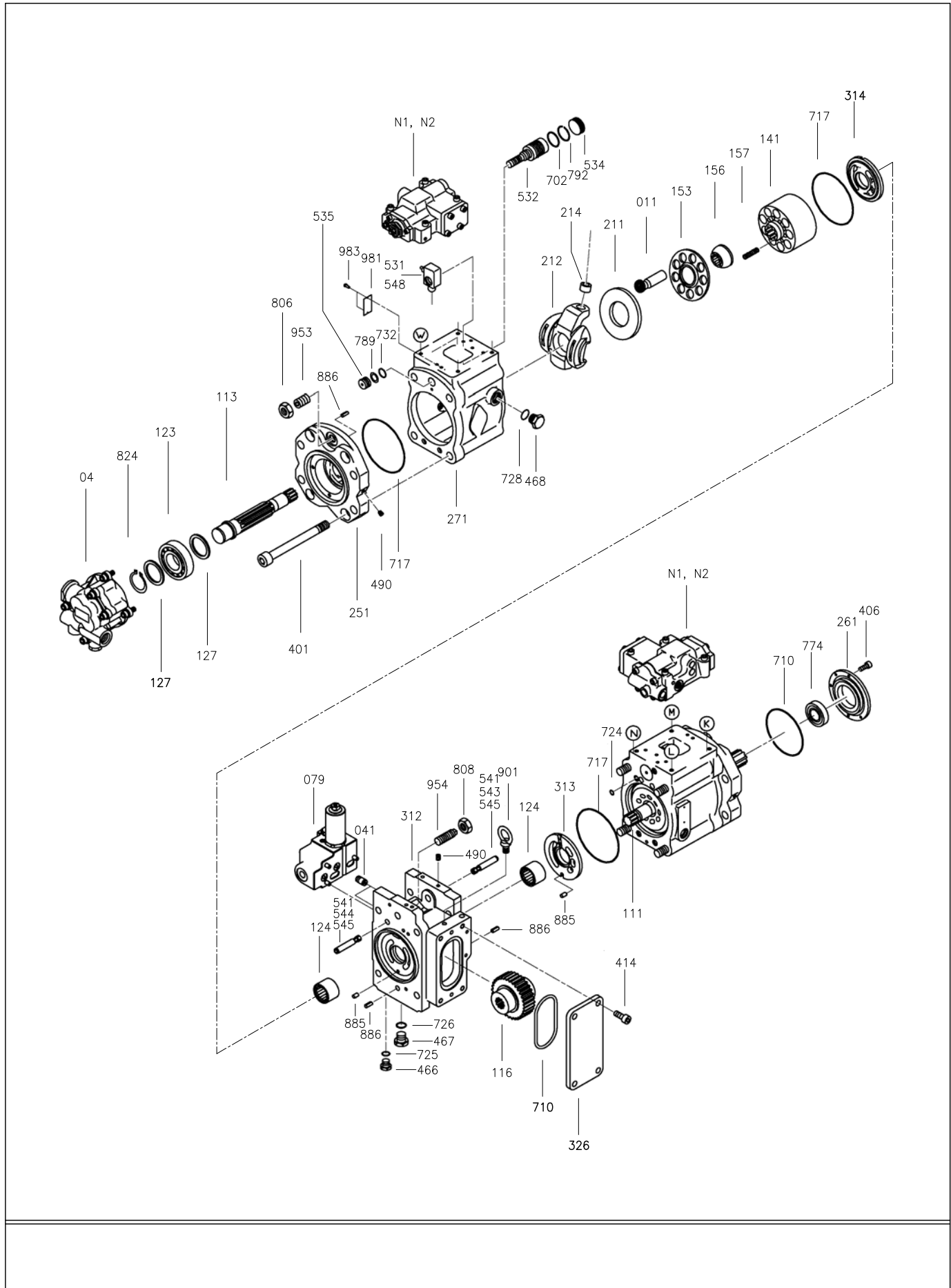
ANA KUMANDA VALFİ (8) MAIN CONTROL VALVE (8)



ANA KUMANDA VALFİ (8)
MAIN CONTROL VALVE (8)

No	Parça No	Adı	Adet	Not	Seri No	Y. Kul. S.K.
No	Part No	Description	Q'ty	Note	Serial No	ICA S.C.
34	H259015034	Popet	Poppet	6		
35	H259015035	Yay	Spring	7		
53	H259015053	Mesafe Burcu	Spacer	2		
54	H259015054	O-Ring	O-Ring	2		
55	H259015055	Back Up Ring	Back Up Ring	2		

HIDROLİK POMPA HYDRAULIC PUMP

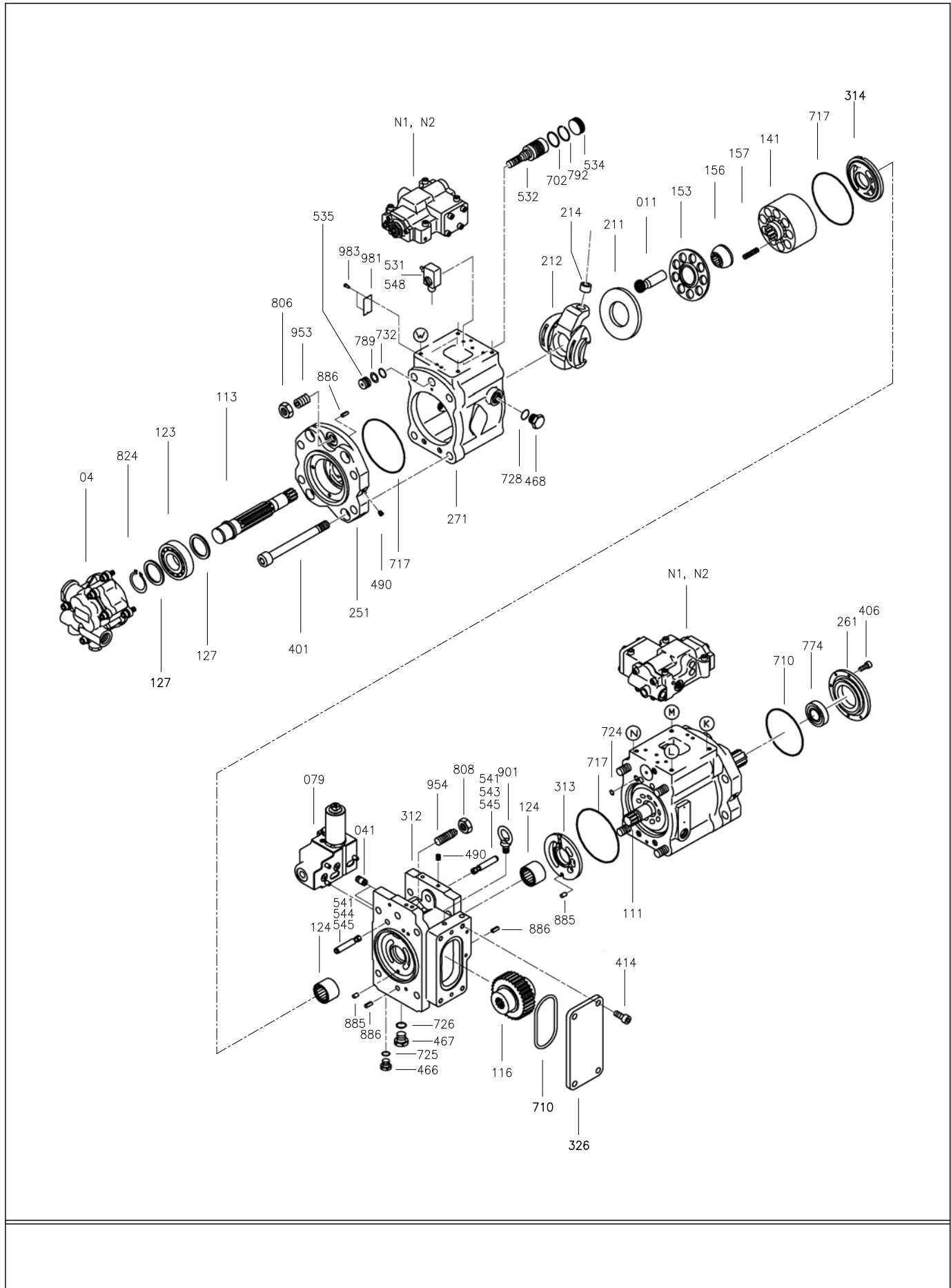


HİDROLİK POMPA HYDRAULIC PUMP

No No	Parça No Part No	Adı Description	Adet Q'ty	Not Note	Seri No Serial No	Y. Kul. ICA	S.K. S.C.
	H253001200	Hidrolik Pompa	Hydraulic Pump	1			
04	H259010001	Pilot Pompa	Pump,Gear	1			
079	H349010093	Or.Basınç Kont. Valf	Prop.Red.ValveAss'y	1			
111	H259010002	Şaft, Ön	Shaft, (F)	1			
113	H259010003	Şaft, Arka	Shaft, (R)	1			
116	H259010004	Dişli	Gear	1			
123	H259010005	Makaralı Rulman	Bearing, Roller	2			
124	H259010006	Rulman	Bearing, Needle	2			
127	H349010008	Mesafe Pulu	Spacer	4			
141	H259010050	Rotor	Block, Cylinder	2			K2,K3,K9,K10
011	H259010051	Piston, Komp.	Piston Ass'y		2 set		K9,K10
153	H349010012	Plaka	Plate	2			K9,K10
156	H349010013	Burç, Küresel	Bush, Spherical	2			K9,K10
157	H259010054	Yay, Rotor	Spring, Cyl. Block	18			K9,K10
211	H349010015	Plaka, Pabuç	Plate, Shoe	2			K9,K10
212	H259010055	Plaka, Kızak	Plate, Swash	2			K4,K11
214	H239010073	Burç	Bush	2			K4,K11
251	H259010056	Destek	Support	2			K11
261	H259010007	Kapak	Cover	1			
271	H259010008	Muhafaza, Pompa	Casing, Pump	2			
312	H239010054	Blok, Valf	Block, Valve	1			
313	H259010030	PLAKA (SAĞ), VALF	PLATE (R), VALVE	1			K2, K10
	H259010030A	PLAKA (SAĞ), VALF	PLATE (R), VALVE	1	**	C	K2, K10
314	H259010031	PLAKA (SOL), VALF	PLATE (L), VALVE	1			K3, K9
	H259010031A	PLAKA (SOL), VALF	PLATE (L), VALVE	1	**	C	K3, K9
326	H259010010	Kapak	Cover	1			
401	H349010024	Cıvata	Screw	8			
406	H349010025	Cıvata	Screw	4			
414	H239010168	Cıvata	Screw	4			
466	H349010026	Tapa	Plug	2			
467	H239010055	Tapa	Plug	2			
468	H349010027	Tapa	Plug	4			
490	H349010028	Tapa	Plug	32			
531	H259010058	Pim	Pin, Tilting	2			K7
532	H259010013	Piston	Piston	2			
534	H349010031	Durdurucu , Sol	Stoper, L	2			
535	H349010032	Durdurucu , Sağ	Stoper, R	2			
541	H379010041	Bilye Yuvası	Seat	4			K5,K6
543	H379010042	Durdurucu 1	Stoper 1	2			K5
544	H379010043	Durdurucu 2	Stoper 2	2			K6
545	H379010044	Çelik Bilye	Ball, Steel	4			K5,K6
548	H259010071	Pim, Geribesleme	Pin, Feedback	2			K7
702	H239010078	O-Ring	O-Ring	2			K8

** Nisan 2013' de yürürlüğe girecektir./ Changing starts begining of April 2013.

HIDROLİK POMPA HYDRAULIC PUMP



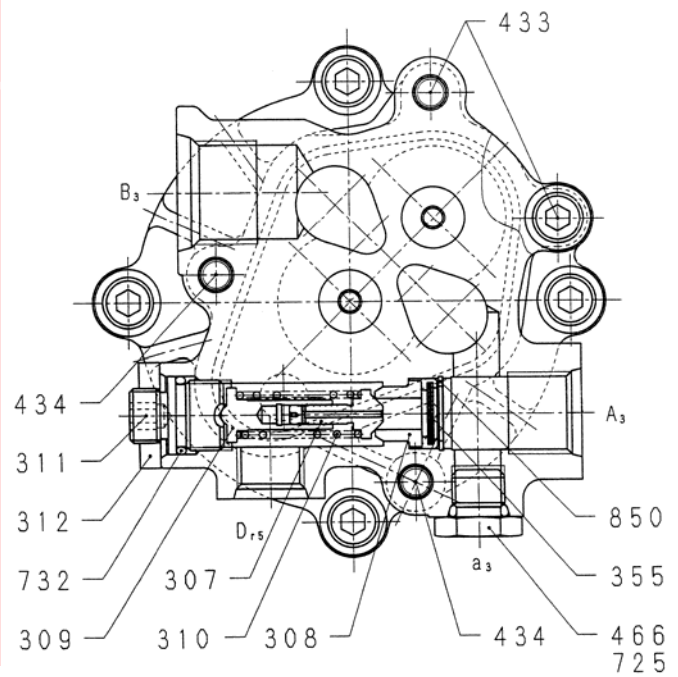
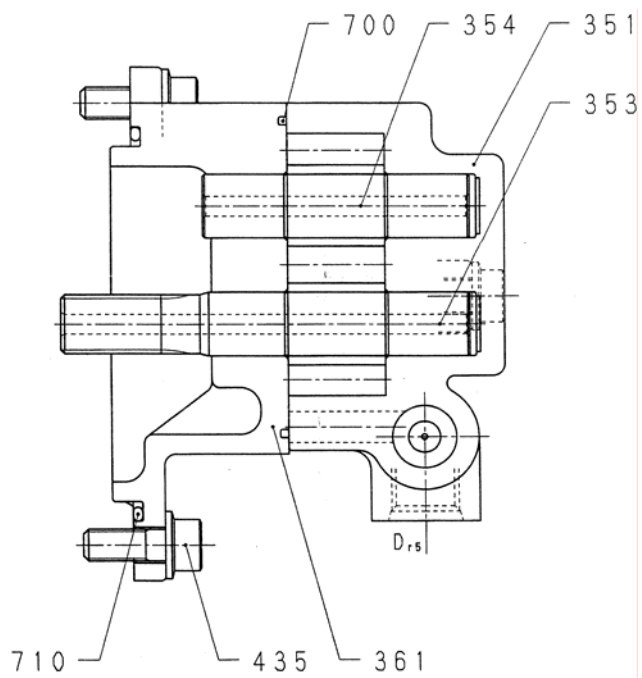
HİDROLİK POMPA HYDRAULIC PUMP

No No	Parça No Part No	Adı Description	Adet Q'ty	Not Note	Seri No Serial No	Y. Kul. ICA	S.K. S.C.
710	H349010087	O-Ring	O-Ring	2			K8
717	H239010079	O-Ring	O-Ring	4			K8
724	H239010134	O-RING	O-RING	16			K8
	H239010134A	O-RING	O-RING	16	*		K8
725	H349010088	O-Ring	O-Ring	4			K8
726	H239010080	O-Ring	O-Ring	2			K8
728	H239010081	O-Ring	O-Ring	4			K8
732	H239010082	O-Ring	O-Ring	2			K8
774	H259010070	Keçe	Seal	1			K8
789	H239010083	Ring, Back-Up	Ring, Back-Up	2			K8
792	H239010084	Ring, Back-Up	Ring, Back-Up	2			K8
806	H349010048	Somun	Nut	2			
808	H349010049	Somun	Nut	2			
824	H349010050	Ring	Ring	2			
885	H349010051	Pim, Valf Plakası	Pin, Valve Plate	2			
886	H349010052	Pim, Yay	Pin, Spring	4			
901	H349010053	Cıvata	Bolt	3			
953	H259010014	Cıvata	Screw	2			
954	H349010055	Cıvata	Screw	2			
981	H259010015	Etiket	Plate, Name	1			
983	H239010060	Pim	Pin	2			
	• H259010017	Silindir Komp., Sağ	Ass'y Cylinder, R	1	K2		
	H259010017B	SİLİNDİR KOMP.,SAĞ	ASS'Y CYLINDER, R	1	**	C	K2
	• H259010018	Silindir Komp., Sol	Ass'y Cylinder, L	1	K3		
	H259010018B	SİLİNDİR KOMP.,SOL	ASS'Y CYLINDER, L	1	**	C	K3
	• H259010019	Kızak Komp.	Ass'y, Swash Plate	2	K4		
	• H349010063	Check 1, Komp.	Ass'y, Check 1	2	K5		
	• H349010064	Check 2, Komp.	Ass'y, Check 2	2	K6		
	• H259010020	Pim Komp.	Ass'y Tilting Pin	2	K7		
	• H259010021	Tamir Takımı, Pompa	Seal KIT, Pump	1	K8		
	• H259010022	Arka Grup, Alış.	R. Rotary Group, Lap.	1	K9		
	• H259010023	Ön Grup, Alış.	F. Rotary Group, Lap.	1	K10		
	• H259010024	Ön-Arka Kızak Komp.	F.-R. Swash Ass'y	1	K11		
N1	H349010163	Tamir Takımı, Regül.	Seal KIT, Regulator	1			
N2	H259010025	Oransal Valf ve Regülator Tamir Seti	Proportional Valve & Regulator KITS SET	1			

* Temmuz 2012' de yürürlüğe girmiştir./ Changing started of July 2012.

** Nisan 2013' de yürürlüğe girecektir./ Changing starts beginning of April 2013.

PILOT POMPA GEAR PUMP

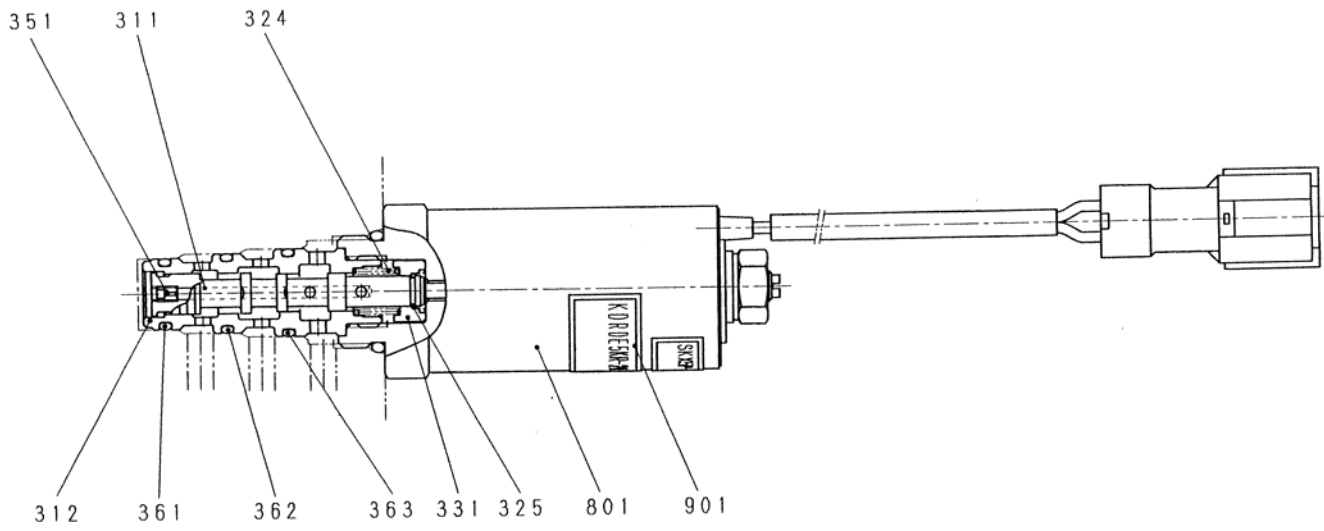


PİLOT POMPA GEAR PUMP

No	Parça No	Adı	Description	Adet	Not	Seri No	Y. Kul. S.K.
No	Part No			Q'ty	Note	Serial No	ICA S.C.
	H259010001	Pilot Pompa	Gear Pump	1			
307		Popet	Poppet	1			K
308		Popet Tutucu	Seat	1			K
309		Popet Klavuzu	Seat, Spring	1			K
310		Yay Tutucu	Spring	1			
311		Cıvata, Ayar	Screw, Adjusting	1			
312		Somun, Kilit	Nut, Lock	1			
351		Pompa Muhafazası	Case	1			K
353		Dişli, Döndüren	Gear, Drive	1			K
354		Dişli, Döndürülen	Gear, Driven	1			K
355		Filtre	Filter	1			
361		Muhafaza, Ön	Case, Front	1			K
433		Alyan Başlı Cıvata	Socket	2	M8x50		
434		Alyan Başlı Cıvata	Socket	2	M8x65		
435		Alyan Başlı Cıvata	Socket	4	M8x20		
466		Tapa	Plug	1			
700	H349010086	Halka	Ring	1			
710	H349010087	O-Ring	O-Ring	1			
725	H349010088	O-Ring	O-Ring	1			
732	H349010089	O-Ring	O-Ring	1			
850	H349010090	Halka, Tutucu	Ring, Snap	1			
	• H259010026	Dişli ve Popet Komp.	Ass'y, Gear Case and Poppet	1	K		

253014-00

ORANSAL BASINÇ KONTROL VALFİ PROPORTIONAL REDUCING VALVE

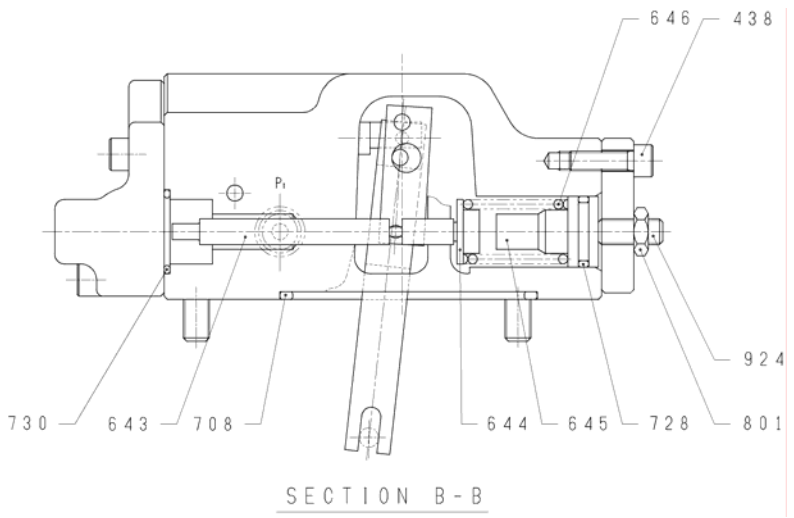
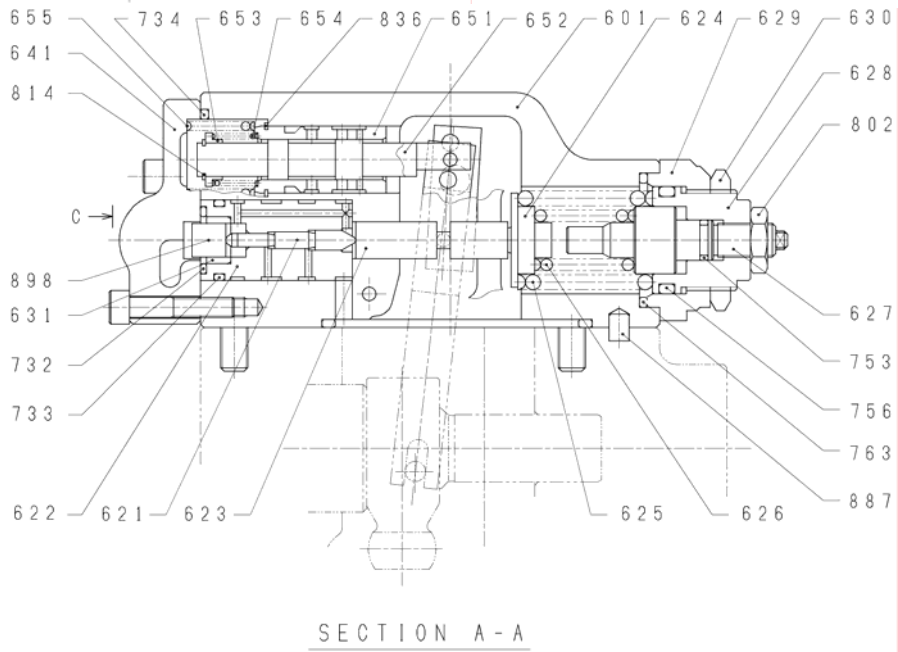
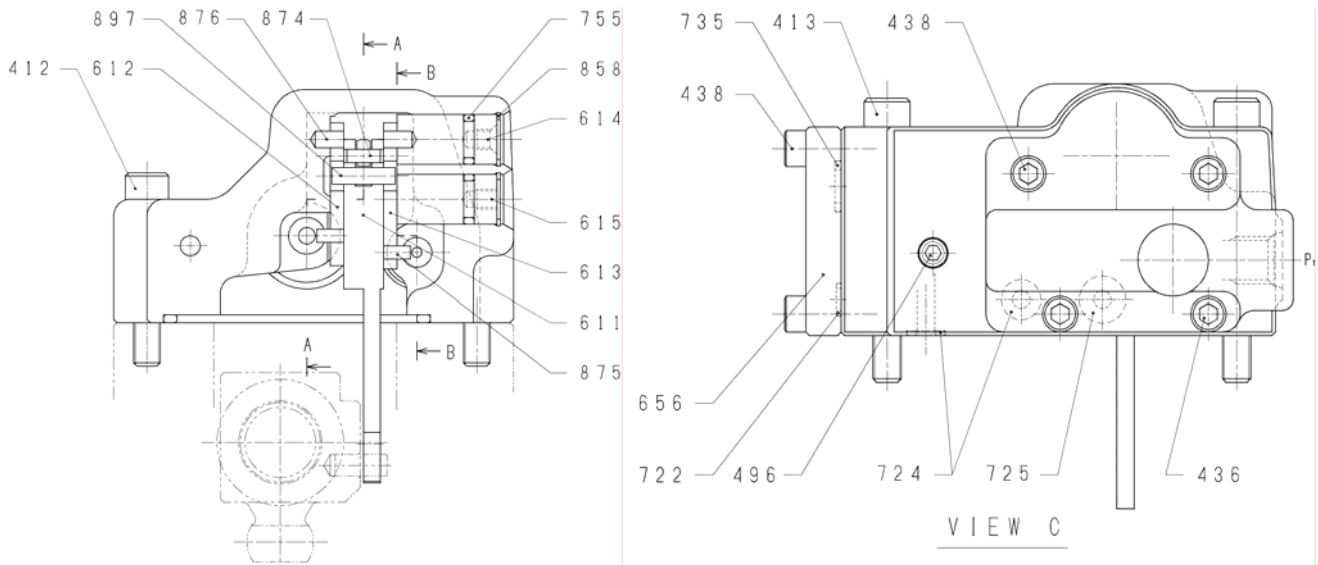


HMK 300 LC

**ORANSAL BASINÇ KONTROL VALFİ
PROPORTIONAL REDUCING VALVE**

No	Parça No	Adı	Description	Adet	Not	Seri No	Y. Kul. S.K.
No	Part No			Q'ty	Note	Serial No	ICA S.C.
	H349010093	Or. Bas. Kont. Valfi	Prop. Red. Valve	1			
311		Sürgü	Spool	1			
312		Gömlek	Sleeve	1			
324		Yay	Spring	1			
325	H349010097	C-Ring	C-Ring	1			
331		Yay Tutucusu	Spring Seat	1			
351		Orifis	Oroface	1			
361	H349010100	O-Ring	O-Ring	1			
362	H349010101	O-Ring	O-Ring	1			
363	H349010102	O-Ring	O-Ring	1			
801	H349010103	Solenoid	Solenoid	1			
901		Etiket	Name Plate	1			

POMPA REGULATÖRÜ PUMP REGULATOR



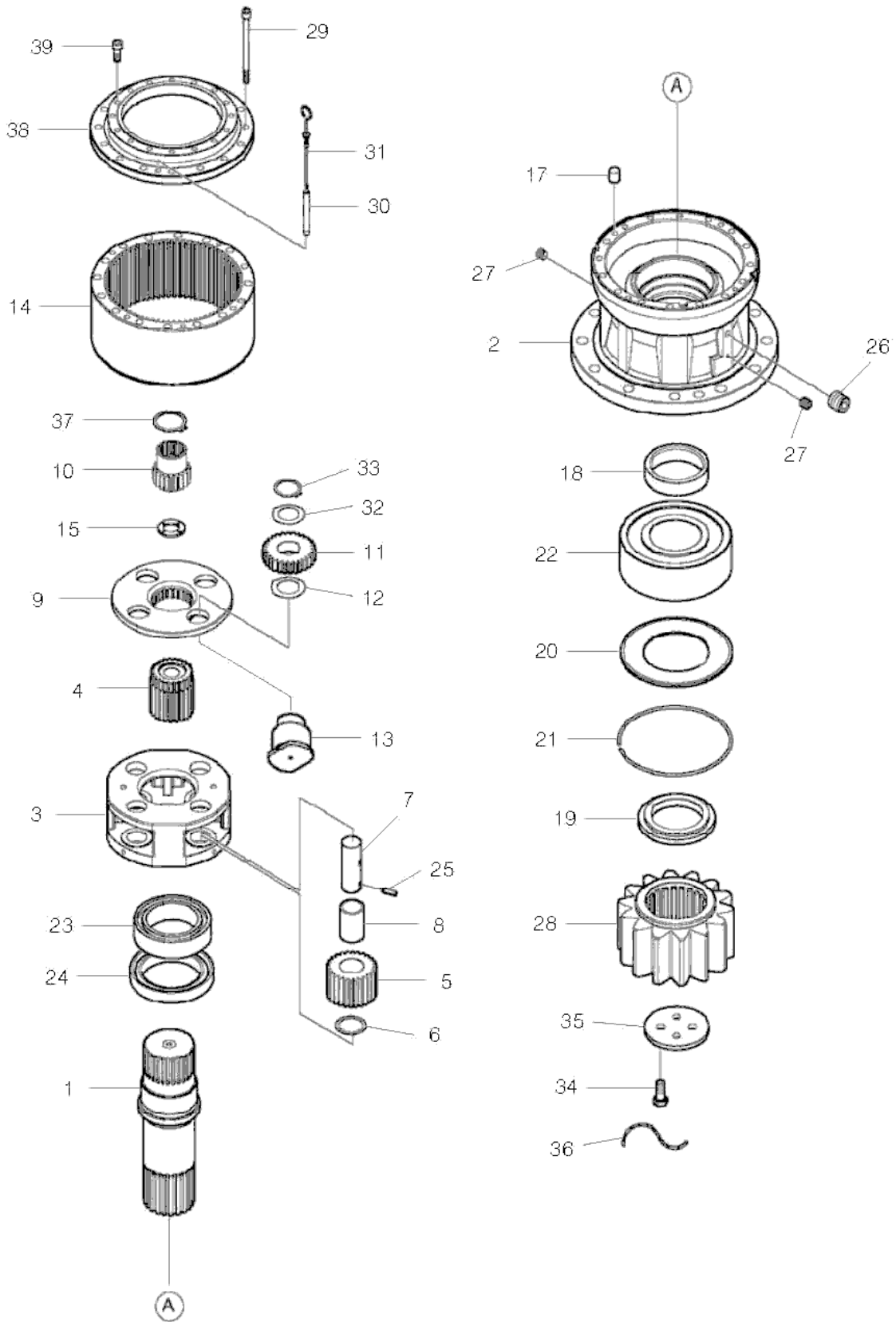
POMPA REGÜLATÖRÜ
PUMP REGULATOR

No	Parça No	Adı	Adet	Not	Seri No	Y. Kul. S.K.
No	Part No	Description	Q'ty	Note	Serial No	ICA S.C.
	H259010027	Komple, Regülatör	Ass'y Regulator	1		
412		Cıvata	Screw	2	M8x50	
413		Cıvata	Screw	2	M8x70	
436		Cıvata	Screw	2	M6x30	
438		Cıvata	Screw	10	M6x20	
496		Tapa	Plug	5		
601		Muhafaza	Casing	1		
611		Levyeye, Geri Besleme	Lever, Feedback	1		
612		Levyeye (1)	Lever (1)	1		
613		Levyeye (2)	Lever (2)	1		
614		Tapa, Merkez	Plug, Center	1		
615		Tapa, Ayar	Plug, Adjust	1		
621		Piston, Dengeleyici	Piston, Compensator	1		
622		Muhafaza, Piston	Case, Piston	1		
623		Rod, Dengeleyici	Rod, Compensator	1		
624		Yay Tutucu (C)	Seat (C), Spring	1		
625		Yay, Dış	Spring, Outer	1		
626		Yay, İç	Spring, Inner	1		
627		Aralık Ayar Tapası (C)	Stem (C), Adjust	1		
628		Cıvata (C), Ayar	Screw (C), Adjust	1		
629		Kapak (C)	Cover (C)	1		
630		Somun, Kilit	Nut, Lock	1		
631		Kovan, Pf	Sleeve, Pf	1		
641		Kapak, Pilot	Cover, Pilot	1		
643		Piston, Pilot	Piston, Pilot	1		
644		Yay Tutucu (Q)	Seat (Q), Spring	1		
645		Aralık Ayar Tapası (Q)	Stem (Q), Adjust	1		
646		Yay, Pilot	Spring, Pilot	1		
651		Kovan	Sleeve	1		
652		Sürgü	Spool	1		
653		Yay Tutucu	Seat, Spring	1		
654		Yay, Dönüş	Spring, Return	1		
655		Yay	Spring, Set	1		
656		Kapak, Blok	Cover, Block	1		
708		O-Ring	O-Ring	1		
722		O-Ring	O-Ring	3		
724		O-Ring	O-Ring	9		
725		O-Ring	O-Ring	1		
728		O-Ring	O-Ring	1		
730		O-Ring	O-Ring	1		
732		O-Ring	O-Ring	1		
733		O-Ring	O-Ring	1		
734		O-Ring	O-Ring	1		

POMPA REGÜLATÖRÜ
PUMP REGULATOR

No	Parça No	Adı	Adet	Not	Seri No	Y. Kul. S.K.
No	Part No	Description	Q'ty	Note	Serial No	ICA S.C.
735		O-Ring	O-Ring	1		
753		O-Ring	O-Ring	1		
755		O-Ring	O-Ring	1		
756		O-Ring	O-Ring	1		
763		O-Ring	O-Ring	1		
801		Somun	Nut	1	M8	
802		Somun	Nut	1	M10	
814		Halka, Tutucu	Ring, Snap	1		
836		Halka, Tutucu	Ring, Snap	1		
858		Halka, Tutucu	Ring, Snap	2		
874		Pim	Pin	1		
875		Pim	Pin	2		
876		Pim	Pin	2		
887		Pim	Pin	1		
897		Pim	Pin	1		
898		Pim	Pin	1		
924		Cıvata	Screw	1	M8x20	
	• H349010163	Tamir Takımı	Seal KIT	1		

DİŞLİ KUTUSU - KULE DÖNÜŞ ÜNİTESİ
REDUCTION GEAR - SWING UNIT

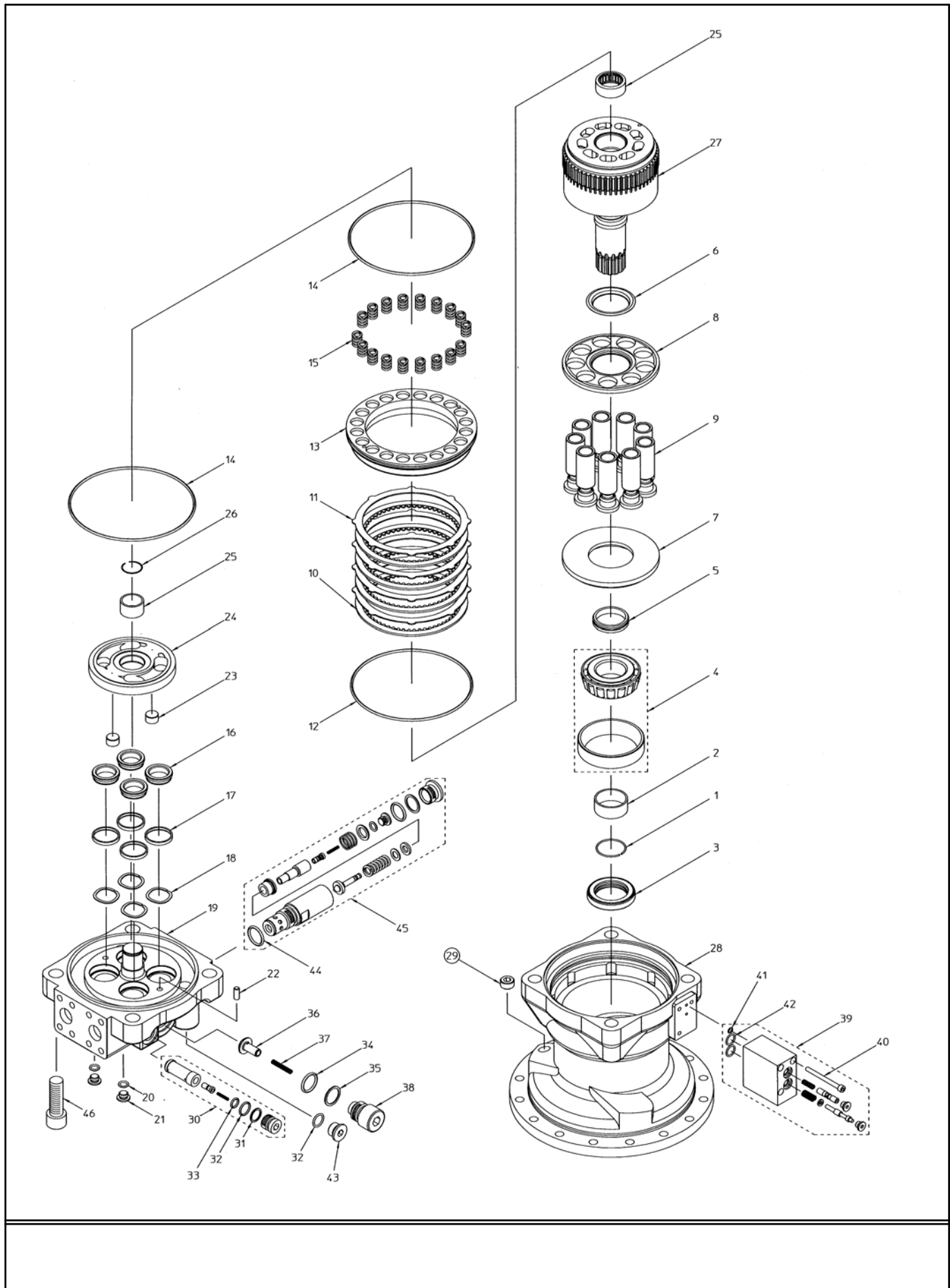


DİŞLİ KUTUSU - KULE DÖNÜŞ ÜNİTESİ

REDUCTION GEAR - SWING UNIT

No	Parça No	Adı	Adet	Not	Seri No	Y. Kul. S.K.
No	Part No	Description	Q'ty	Note	Serial No	ICA S.C.
	H253002100	Dişli Kutusu	1			
1	H259020100	Şaft	1			
2	H259020101	Dişli Gövdesi	1			
3	H259020102	Taşıyıcı 2	1			
4	H259020103	Güneş Dişli 2	1			
5	H259020104	Planet Dişli 2	4			
6	H259020105	Yan Plaka 2	4			
7	H259020106	Şaft 2	4			
8	H259020107	Burç 2	4			
9	H259020108	Taşıyıcı 1	1			
10	H259020109	Güneş Dişli 1	1			
11	H259020110	Planet Dişli 1	4			
12	H259020111	Yan Plaka 1	3			
13	H259020112	Pim Komp.	4			
14	H259020113	Halka Dişli	1			
15	H259020114	Baskı Plakası	1			
16	H259020115	Kapak	1			
17	H259020116	Kilit Pimi	4			
18	H259020117	Mesafe Burcu	1			
19	H259020118	Yüksük	1			
20	H259020119	Plaka	4			
21	H259020120	Segman	1			
22	H259020121	Rulman	1			
23	H259020122	Rulman	1			
24	H259020123	Keçe	1			
25	H259020124	Yaylı Pim	4			
26	H259020125	Tapa	1			
27	H259020126	Tapa	1			
28	H259020127	Pinyon	1			
29	H259020128	Cıvata	16	M16x180L		
30	H259020129	Boru	1			
31	H259020130	Seviye Çubuğu	1			
32	H259020131	Yan Plaka 3	4			
33	H259020132	Segman	4			
34	H259020133	Cıvata	4	M16x40L		
35	H259020134	Kapak	1			
36	H259020135	Kablo	1			
37	H259020136	Segman	1			
38	H259020137	Gövde Kapağı	1			
39	H259020138	Cıvata	16	M12x30L		

MOTOR - KULE DÖNÜŞ ÜNİTESİ
SWING MOTOR - SWING UNIT



MOTOR- KULE DÖNÜŞ ÜNİTESİ SWING MOTOR - SWING UNIT

No	Parça No	Adı	Adet	Not	Seri No	Y. Kul. S.K.
No	Part No	Description	Q'ty	Note	Serial No	ICA S.C.
	H253002000	Motor Kompleksi	Swing Motor Ass'y	1	MFC200-010	? A
	H253002001	Motor Kompleksi	Swing Motor Ass'y	1	MFC200-018	? A
	H253002002	Motor Kompleksi	Swing Motor Ass'y	1	MFC200-021, *	7125167- A
1	H259020001	Segman	Snap Ring	1		
2	H349020001	İç Halka	Inner Ring	1		
3	H349020002	Yağ Keçesi	Oil Seal	1		K
4	H349020003	Makaralı Rulman	Tapero Roller Bearing	1		
5	H349020027	Bilezik	Collar	1		
6	H259020002A	Yay Desteği	Backing Spring	1	MFC200-010	
	H259020002	Yay Desteği	Backing Spring	1	MFC200-018&-021, ***	
7	H259020003	Distribütör Tablası	Cam Plate	1		
8	H259020004A	Dönüş Tablası	Return Plate	1	MFC200-010	
	H259020004	Dönüş Tablası	Return Plate	1	MFC200-018&-021, ***	
9	H259020005	Piston Kompleksi	Piston Ass'y	9		NSP
10	H259020006	Balata	Lining Plate	4		
11	H259020007	Çelik Plaka	Plate	4		
12	H349020011	O-Ring	O-Ring	1		K
13	H259020008	Piston	Piston	1		
14	H259020009	O-Ring	O-Ring	2		K
15	H349020014	Yay	Spring	18		
16	H259020010	Burç	Bush	4		
17	H259020011	Teflon Halka	Teflon Ring	4		
18	H259020012	Yaprak Yay	Scrowave	4		
19	H259020013	Kapak	Cover	1		NSP
20	H349020017	O-Ring	O-Ring	2		K
21	H349020018	Tapa	Cap	2		
22	H349020015	Paralel Pim	Parallel Pin	2		
23	H349020016	Piston	Piston	2		
24	H259020014	Denge Tablası	Balance Plate	1	MFC200-010 & -018	D
	H259020014A	Denge Tablası	Balance Plate	1	MFC200-021, **, **	7125167- D
25	H259020015	İğneli Rulman	Needle Bearing	1		
26	H349020024	Segman	Snap Ring	1		
27	H259020016A	Silindir	Cylinder	1	MFC200-010	NSP
	H259020016	Silindir	Cylinder	1	MFC200-018&-021, ***	NSP
28	H259020017	Gövde	Housing	1		NSP
29	H349020028	Tapa	Plug	1		
30	H349020030	Bypass Valf	Bypass Valve Ass'y	2		
31	H349020031	Back Up Ring	Back Up Ring	2		K
32	H349020032	O-Ring	O-Ring	2		K
33	H349020033	O-Ring	O-Ring	2		K
34	H349020040	O-Ring	O-Ring	2		K
35	H349020045	Back Up Ring	Back Up Ring	2		K
36	H349020042	Çek	Check	2		

(*) 7125149, 7125151, 7125153, 7125159, 7125165 dahildir. / Includes 7125149, 7125151, 7125153, 7125159, 7125165.

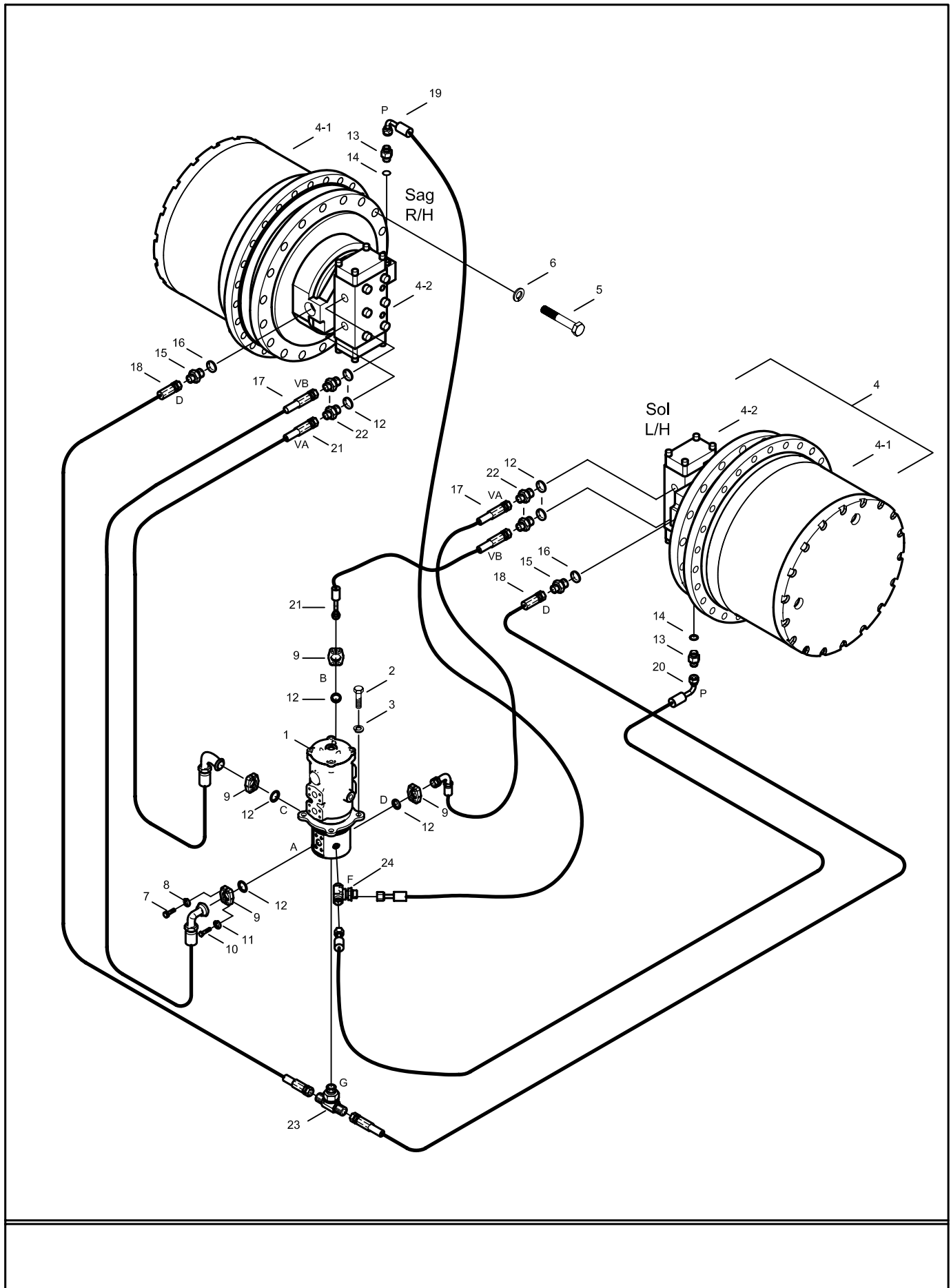
(**) Poz 19 ile birlikte eskisinin yerine geçer. / It is interchangeable with item 19.

(***) Poz 6, 8, 27 birlikte değiştirilirse eskisinin yerine kullanılabilir. / If item 6, 8, 27 is changed together, they will be interchangeable.

MOTOR- KULE DÖNÜŞ ÜNİTESİ
SWING MOTOR - SWING UNIT

No	Parça No	Adı	Adet	Not	Seri No	Y. Kul. S.K.
No	Part No	Description	Q'ty	Note	Serial No	ICA S.C.
37	H349020043	Yay	Spring	2		
38	H349020044	Tapa	Cap	2		
39	H259020018	Zaman Geciktirici Valf	Time Delay Valve	1		
40	H349020036	Cıvata	Hexagon Socket Bolt	3	M6x70	
41	H349020037	O-Ring	O-Ring	1		K
42	H349020038	O-Ring	O-Ring	2		K
43	H259020019	Tapa	Cap	1		
44	H259020020	O-Ring	O-Ring	2		K
45	H259020021	Emniyet Valfi	Relief Ass'y	2		
46	H259020022	Cıvata	Hexagon Socket Bolt	4		
•	H259020023	Tamir Takımı	Seal KIT	1	K	

ALT ŞASE HİDROLİK AKSAM MONTAJI LOWER PIPING MOUNTING

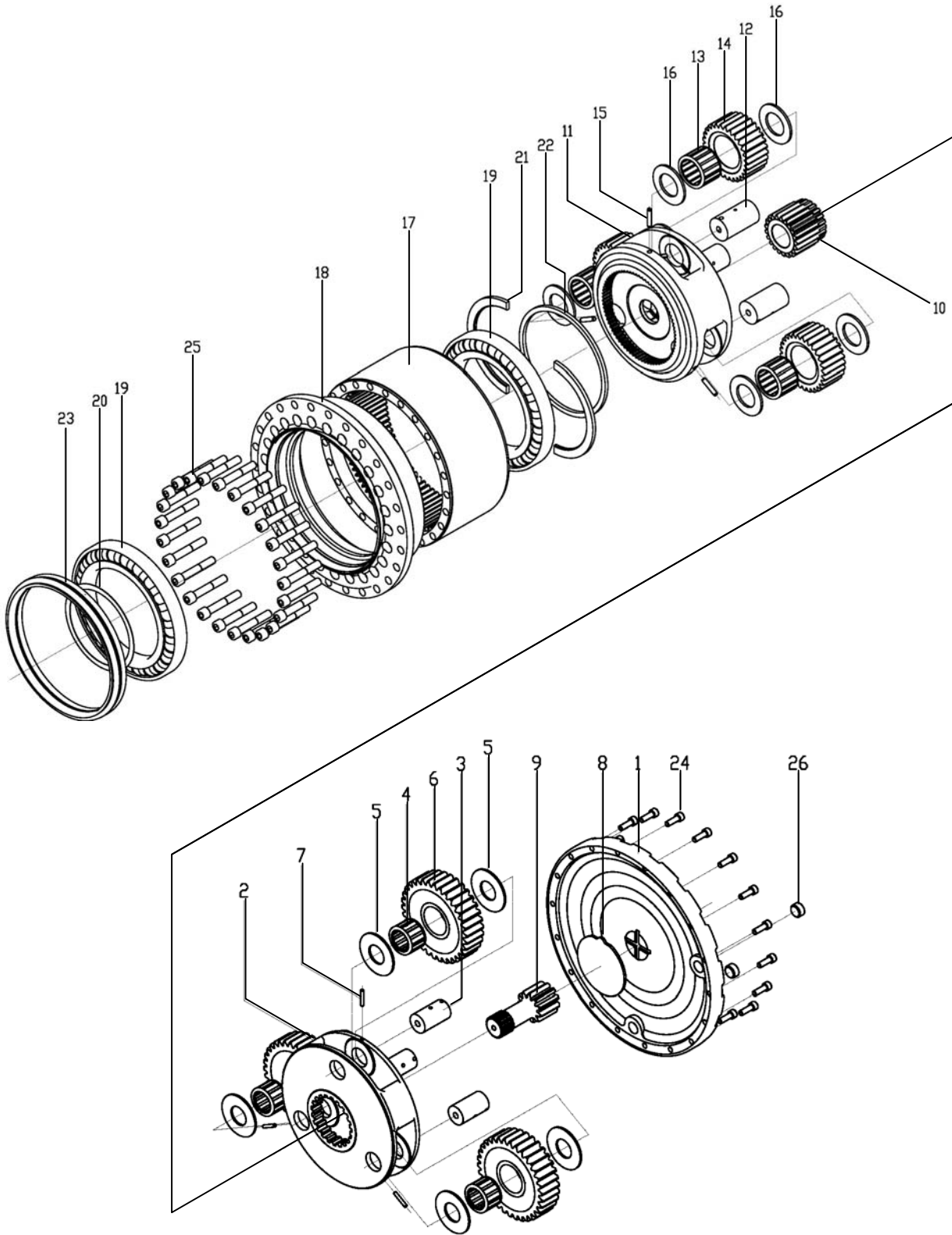


ALT ŞASE HİDROLİK AKSAM MONTAJI

LOWER PIPING MOUNTING

No	Parça No	Adı	Description	Adet	Not	Seri No	Y. Kul. S.K.
No	Part No			Q'ty	Note	Serial No	ICA S.C.
1	H343100200	Döner Dağıtıcı	Joint, Turning	1			
2	N01/0233590	A.K.B. Civata	Bolt, Hex.	4	M16x45		
3	N03/1310014	Yaylı Rondela	Washer, Spr.	4	M16		
4	H253100100	Yürüyüş Ünitesi	Travel Unit	2			
4_1		Dişli Kutusu	Reduction Gear	2	bak/see 253102-00		
4_2		Motor Komitesi	Motor Ass'y	2	bak/see 253103-00		
5	N01/0392028	A.K.B. Civata	Bolt, Hex	36	M24x75		
6	N03/0800005	Pul	Washer, Pln.	36	M24		
7	N01/5890830	S.B. Civata	Bolt, Socket	8	M10x35		
8	N03/1360010	Yaylı Rondela	Washer, Spr.	8	M10		
9	N16/J360104	Yarım Flanş	Flange, Split	8			
10	N01/0232498	A.K.B. Civata	Bolt, Hex	8	M10x35		
11	N03/1310011	Yaylı Rondela	Washer, Spr.	8	M10		
12	N10/2003335	O-Ring	O-Ring	8			
13	N16/K114341	Rekor	Connector	2			
14	N10/2001024	O-Ring	O-Ring	2			
15	N16/K114343	Rekor	Connector	2			
16	N10/2001724	O-Ring	O-Ring	2			
17	H253100300	B.H.H.	Hose Ass'y	2			
18	99P193248	Hortum Komitesi	Hose Ass'y	2			
19	97P191160	Hortum Komitesi	Hose Ass'y	1			
20	97P191160	Hortum Komitesi	Hose Ass'y	1			
21	H253100300	B.H.H.	Hose Ass'y	2			
22	N16/K130129	Rekor	Connector	4			
23	N16/R060606	T-Komitesi	Tee	1			
24	N16/R020202	T-Komitesi	Tee	1			

DİŞLİ KUTUSU - YÜRÜYÜŞ ÜNİTESİ REDUCTION GEAR - TRAVEL UNIT



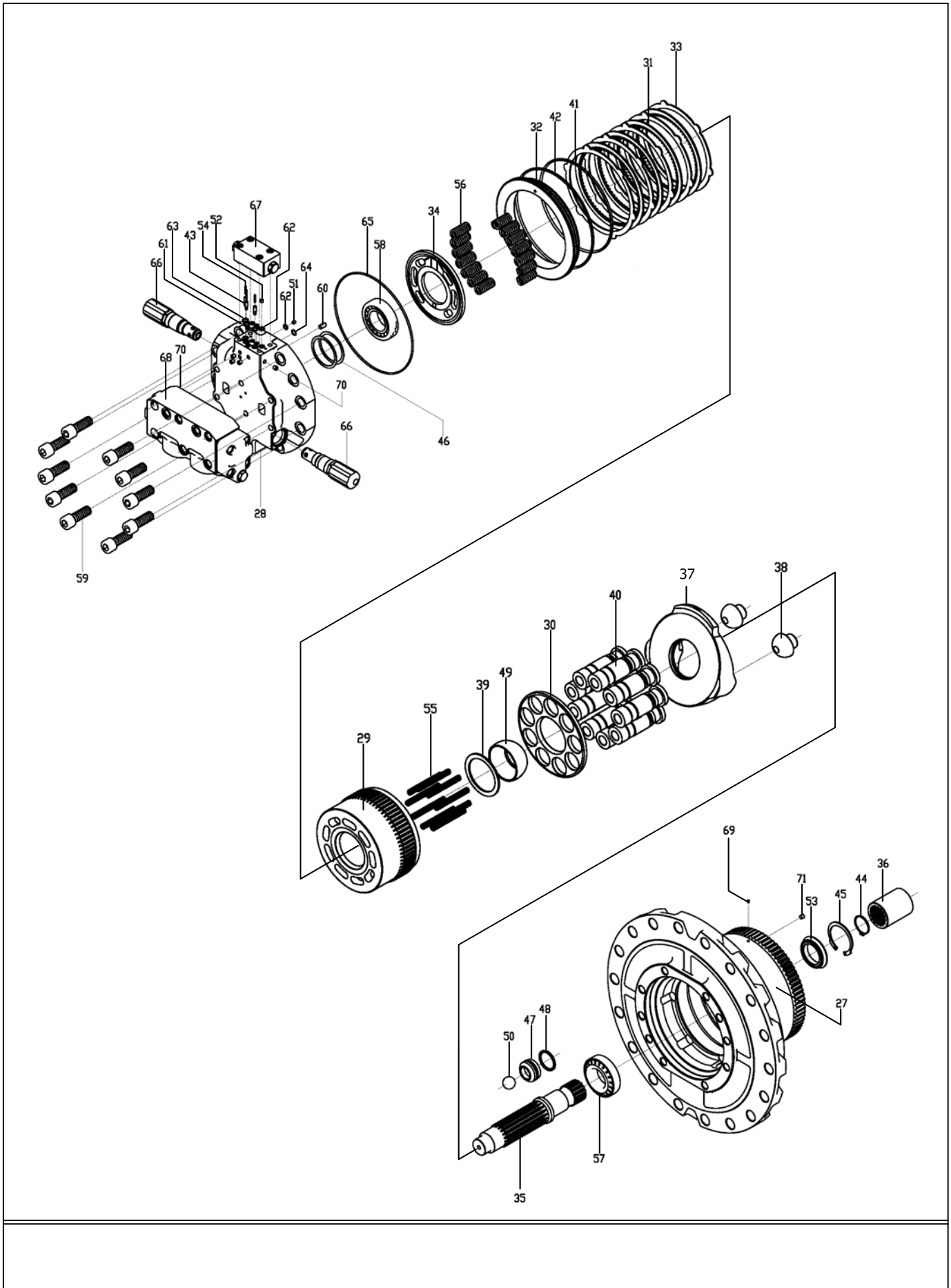
DİŞLİ KUTUSU - YÜRÜYÜŞ ÜNİTESİ

REDUCTION GEAR - TRAVEL UNIT

No	Parça No	Adı	Description	Adet	Not	Seri No	Y. Kul. S.K.
No	Part No			Q'ty	Note	Serial No	ICA S.C.
	H259025001	Dişli Kutusu	Reduction Gear	1			
1	H259025002	Kapak	Cover	1			
2	H259025003	Taşıyıcı 1	Carrier 1	1			
3	H259025004	Taşıyıcı Pimi 1	Carrier Pin 1	3			
4	H259025005	İğneli Rulman	Needle Bearing	3			
5	H259025006	Boşluk Pulu	Thrust Washer	6			
6	H259025007	Planet Dişli 1	Planetary Gear 1	3			
7	H259025008	Yaylı Pim	Spring Pin	3			
8	H259025009	Baskı Plakası	Thrust Plate	1			
9	H259025010	Güneş Dişli 1	Sun Gear 1	1			
10	H259025011	Güneş Dişli 2	Sun Gear 2	1			
11	H259025012	Taşıyıcı 2	Carrier 2	1			
12	H259025013	Taşıyıcı Pimi 2	Carrier Pin 2	3			
13	H259025014	İğneli Rulman	Needle Bearing	3			
14	H259025015	Planet Dişli 2	Planetary Gear 2	3			
15	H259025016	Yaylı Pim	Spring Pin	3			
16	H259025017	Boşluk Pulu	Thrust Washer	6			
17	H259025018	Halka Dişli	Ring Gear	1			
18	H259025019	Gövde	Housing	1			
19	H259025020	Rulman	Bearing	2			
20	H259025021	Şim KİTİ	Shim KIT	1			
	H259025114	Şim, t=1.3	Shim, t=1.3	1			
	H259025115	Şim, t=1.4	Shim, t=1.4	1			
	H259025116	Şim, t=1.5	Shim, t=1.5	1			
	H259025117	Şim, t=1.6	Shim, t=1.6	1			
	H259025118	Şim, t=1.7	Shim, t=1.7	1			
	H259025119	Şim, t=1.8	Shim, t=1.8	1			
	H259025120	Şim, t=1.9	Shim, t=1.9	1			
21	H259025022	Kilit Pulu	Lock Washer	2			
22	H259025023	Destek Halkası	Support Ring	1			
23	H259025024A	Yüzen Keçe Kiti	Floating Seal Kit	1	*		
24	H259025025	Cıvata	Hex. Socket Hd. Bolt	18			
25	H259025026	Cıvata	Hex. Socket Hd. Bolt	25			
26	H259025027	Tapa	Hex. Soc. Taper Plug	2			

* Ekim ayının başında yürürlüğe girecektir. * Changing starts in the beginning of october. EC12033

MOTOR - YÜRÜYÜŞ ÜNİTESİ MOTOR ASSEMBLY - TRAVEL UNIT



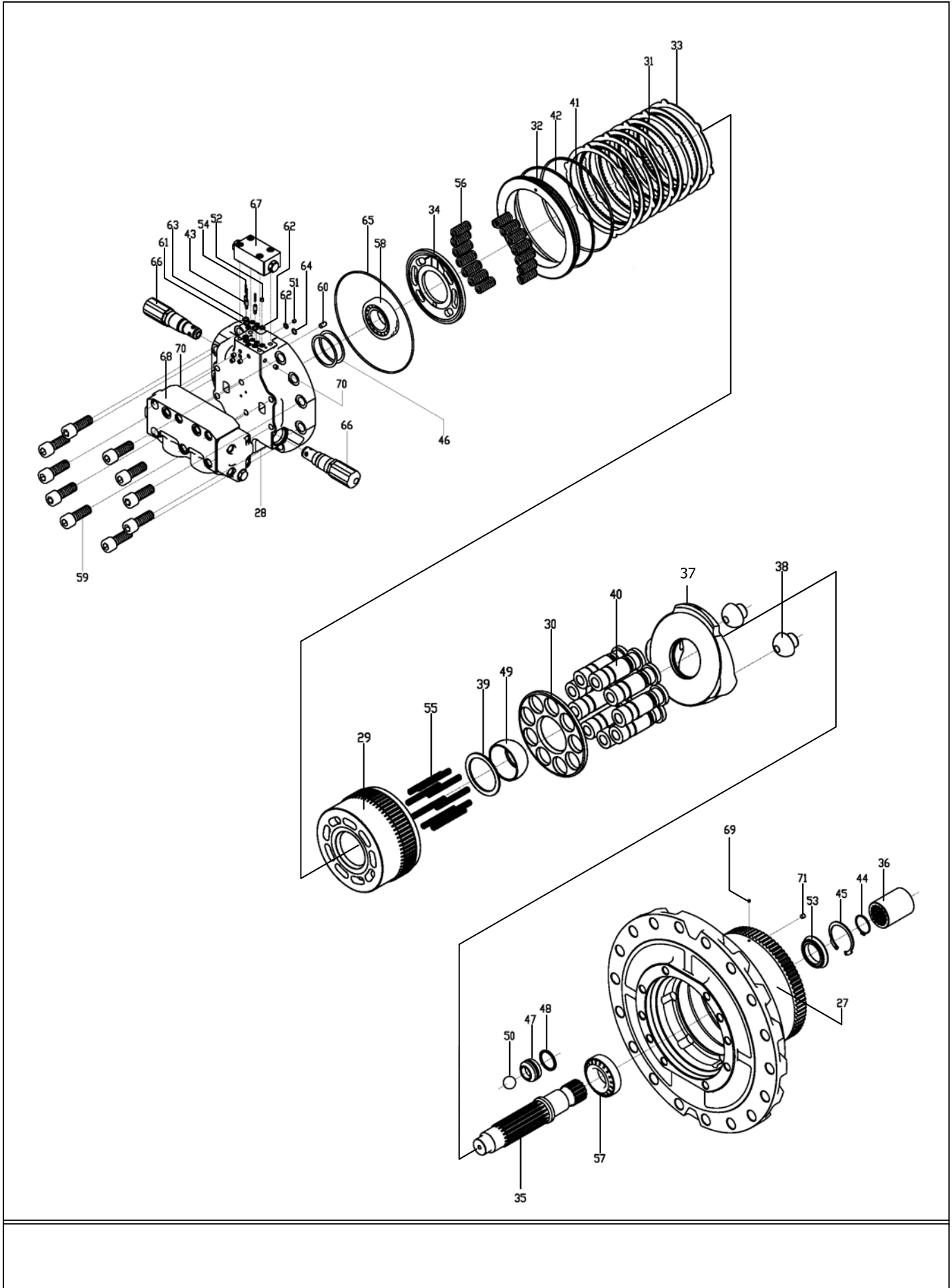
MOTOR - YÜRÜYÜŞ ÜNİTESİ

MOTOR ASSEMBLY - TRAVEL UNIT

No	Parça No	Adı	Adet	Not	Seri No	Y. Kul. S.K.
No	Part No	Description	Q'ty	Note	Serial No	ICA S.C.
	H259025028	Motor Komp.	Motor Ass'y	1		
27	H259025029	Gövde	Casing	1		
28	H259025030	Arka Kapak	Rear Cover	1		
29	H259025031	Silindir Blok	Cylinder Block	1		
30	H259025032	Tutucu	Shoe Retainer	1		
31	H259025033	Sürtünme Plakası	Friction Plate	4		K1
32	H259025034	Fren Pistonu	Brake Piston	1		
33	H259025035	Ayırma Plakası	Separating Plate	5		K1
34	H259025036	Valf Plakası	Valve Plate	1		
35	H259025037	Şaft	Shaft	1		
36	H259025038	Kavrama	Coupling	1		
37	H259025039	Eksantrik Plaka	Swash Plate	1		K2
38	H259025040	Pivot	Pivot	2		K2
39	H259025041	Yay Tutucu	Spring Holder	1		
40	H259025042	Piston Komp.	Piston Ass'y	9		
41	H259025043	D-Ring	D-Ring	1		
42	H259025044	D-Ring	D-Ring	1		
43	H259025045	Çek Valf	Check Valve	3		
44	H259025046	Segman, C Tipi	Retaining Ring,C Type	1		
45	H259025047	Segman	Retaining Ring	1		
46	H259025048	Şim KİTİ	Shim KIT	1		
	H259025084	Şim, t=0.4	Shim, t=0.4	1		
	H259025085	Şim, t=0.5	Shim, t=0.5	1		
	H259025086	Şim, t=0.6	Shim, t=0.6	1		
	H259025087	Şim, t=0.7	Shim, t=0.7	1		
	H259025088	Şim, t=0.8	Shim, t=0.8	1		
	H259025089	Şim, t=0.9	Shim, t=0.9	1		
47	H259025049	Kaydırma Pistonu	Shifter Piston	1		K3
48	H259025050	Piston Keçesi	Piston Seal	1		K3
49	H259025051	Küresel Mafsal	Ball Joint	1		
50	H259025052	Küre	Steel Ball	1		
51	H259025053	Sınırlayıcı, Kırmızı	Restrictor, Red	1		
52	H259025054	Sınırlayıcı,Mavi Beyaz	Restrictor, Blue White	1		
53	H259025055A	Yağ Keçesi	Oil Seal	1	*	
54	H259025056	Çek Valf Yay	Check Valve Spring	3		
55	H259025057	Silindir Yay	Cylinder Spring	9		
56	H259025058	Fren Yay	Brake Spring	14		
57	H259025059	Rulman	Bearing	1		
58	H259025060	İğneli Rulman	Needle Bearing	1		
59	H259025061	Cıvata	Hex. Socket Hd. Bolt	10		
60	H259025062	Paralel Pim	Parallel Pin	1		
61	H259025063	O-Ring	O-Ring	3		
62	H259025064	O-Ring	O-Ring	2		

* Eylül 2012'de yürürlüğe girecektir. * Changing starts in the beginning of september 2012. EC11112

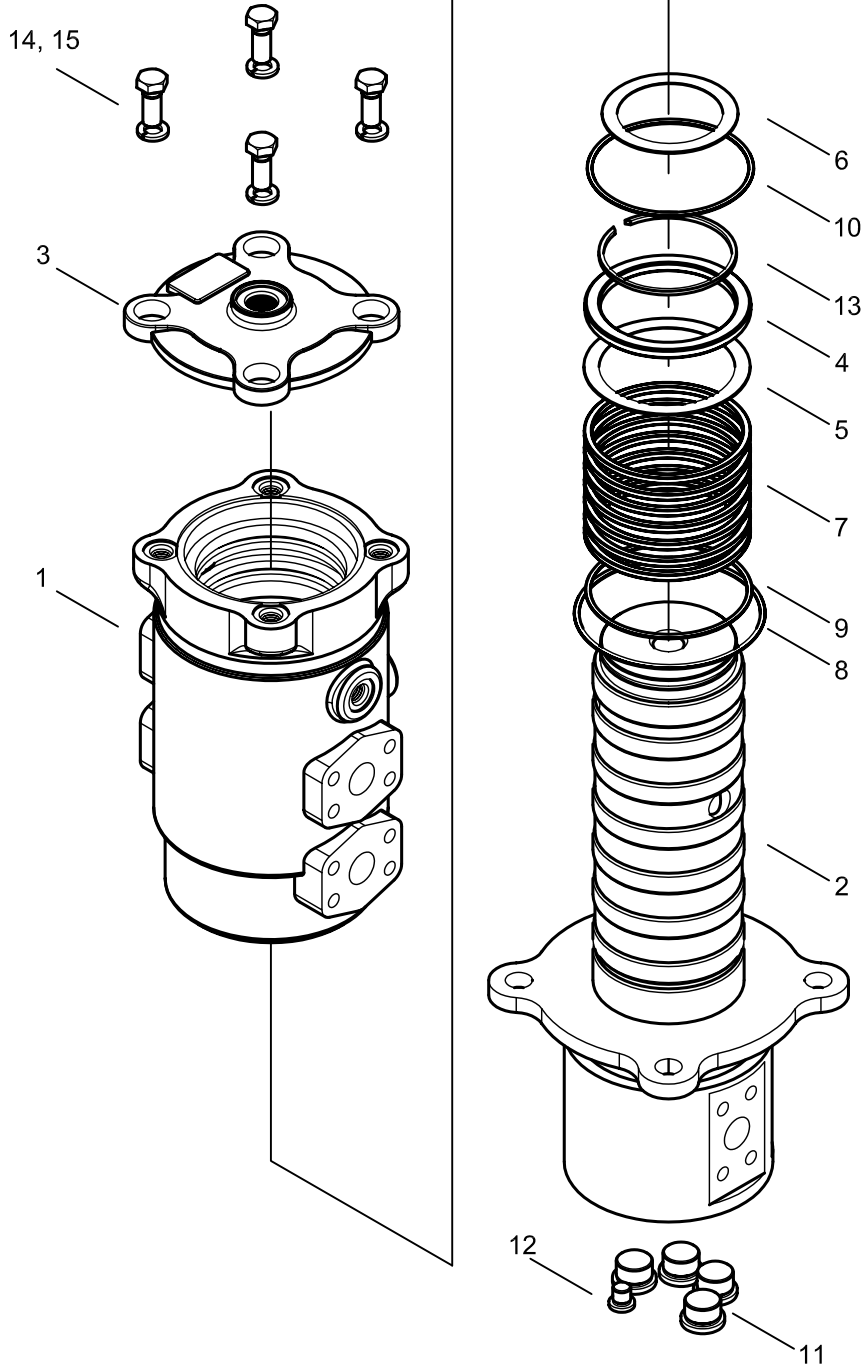
MOTOR - YÜRÜYÜŞ ÜNİTESİ MOTOR ASSEMBLY - TRAVEL UNIT



MOTOR - YÜRÜYÜŞ ÜNİTESİ
MOTOR ASSEMBLY - TRAVEL UNIT

No	Parça No	Adı	Description	Adet	Not	Seri No	Y. Kul. S.K.
No	Part No			Q'ty	Note	Serial No	ICA S.C.
63	H259025065	O-Ring	O-Ring	3			
64	H259025066	O-Ring	O-Ring	1			
65	H259025067	O-Ring	O-Ring	1			
66	H259025068	AşırıYük TahliyeValfi	OverLoad Relief Valve	2			
67	H259025069	Pilot Valf	Pilot Valve	1			
68	H259025070	Fren Valfi	Brake Valve	1			
69	H259025071	Genleşme Supabı	Expander Plug	1			
70	H259025072	Tapa	Plug	4			
71	H259025073	Tapa	Plug	1			
•	H259025074	Tamir Takımı	Seal KIT	1	for motor&reduction		
•	H259025082	Sürtünme ve Ayırma Plakası Kiti	Friction/Seperator KIT	1	K1		
•	H259025083	Eksantrik Plaka KİTİ	Swash Plate KIT	1	K2		
•	H259025090	Kaydırma Pistonu Seti	Shifter Piston Set	1	K3		

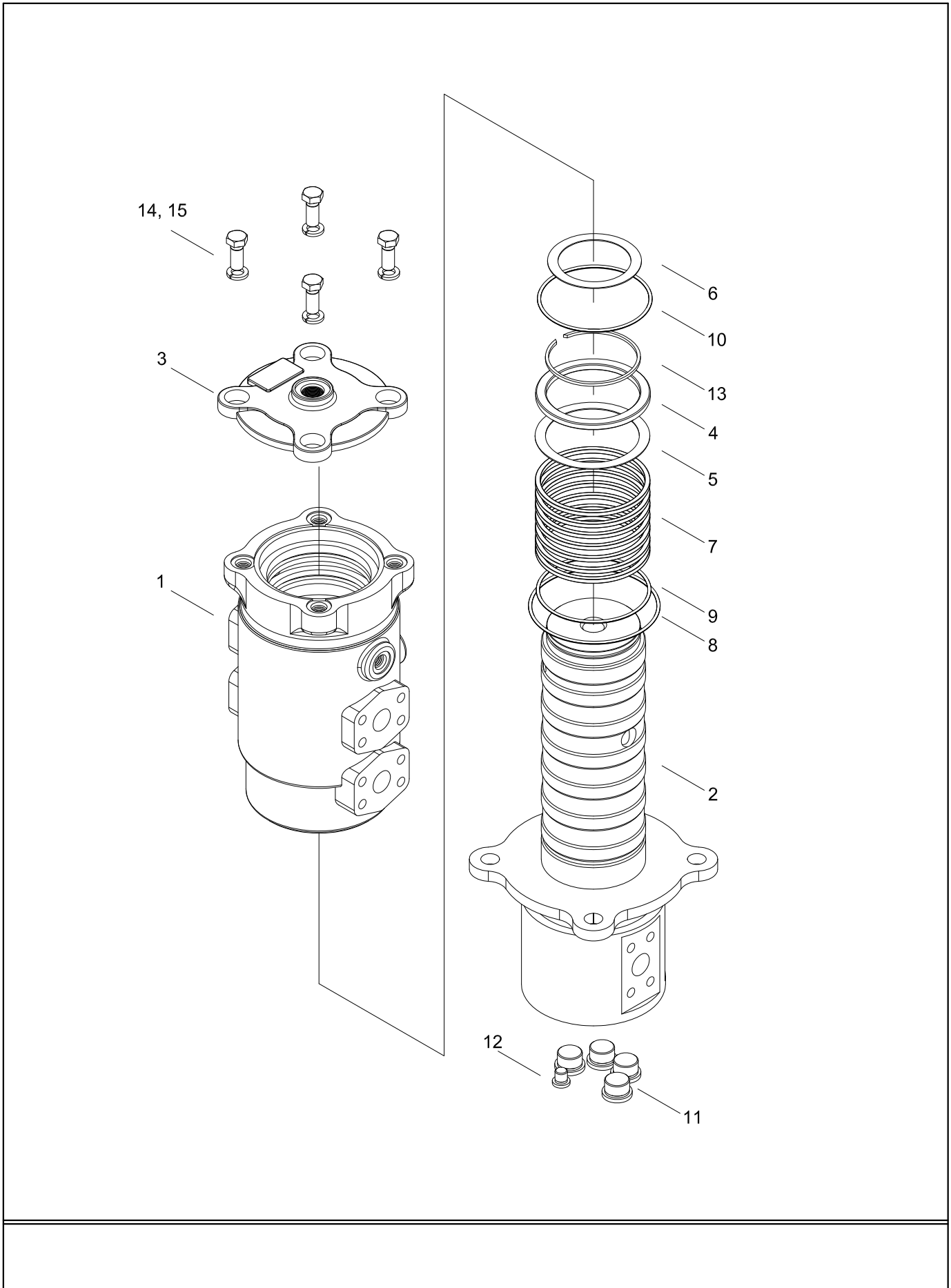
DÖNER DAĞITICI TURNING JOINT



DÖNER DAĞITICI TURNING JOINT

No	Parça No	Adı	Adet	Not	Seri No	Y. Kul. S.K.
No	Part No	Description	Q'ty	Note	Serial No	ICA S.C.
	H343100200	Döner Dağıtıcı	Joint, Turning	1		
1		Göbek	Hub	1		
2		Şaft Komitesi	Shaft Ass'y	1		
3		Kapak	Cover	1		
4		Mesafe Bileziği	Spacer	1		
5		Şim	Shim	1		
6		Şim	Shim	1		
7	H349030027	Keçe	Seal, Slipper	7		K
8	H349030028	O-Ring	O-Ring	1		K
9	H349030029	O-Ring	O-Ring	1		K
10	H349030030	O-Ring	O-Ring	1		K
11		Tapa	Plug, PT	4	PT 3/4	
12		Tapa	Plug, PT	1	PT 1/4	
13	H349030033	Segman	Ring-Retainer	1		K
14		Civata	Bolt, Hex Head	4	M12x1,75	
15		Yaylı Rondela	Washer, Spring	4	M12	
•	H349030036	Tamir Takımı	Seal KIT			K

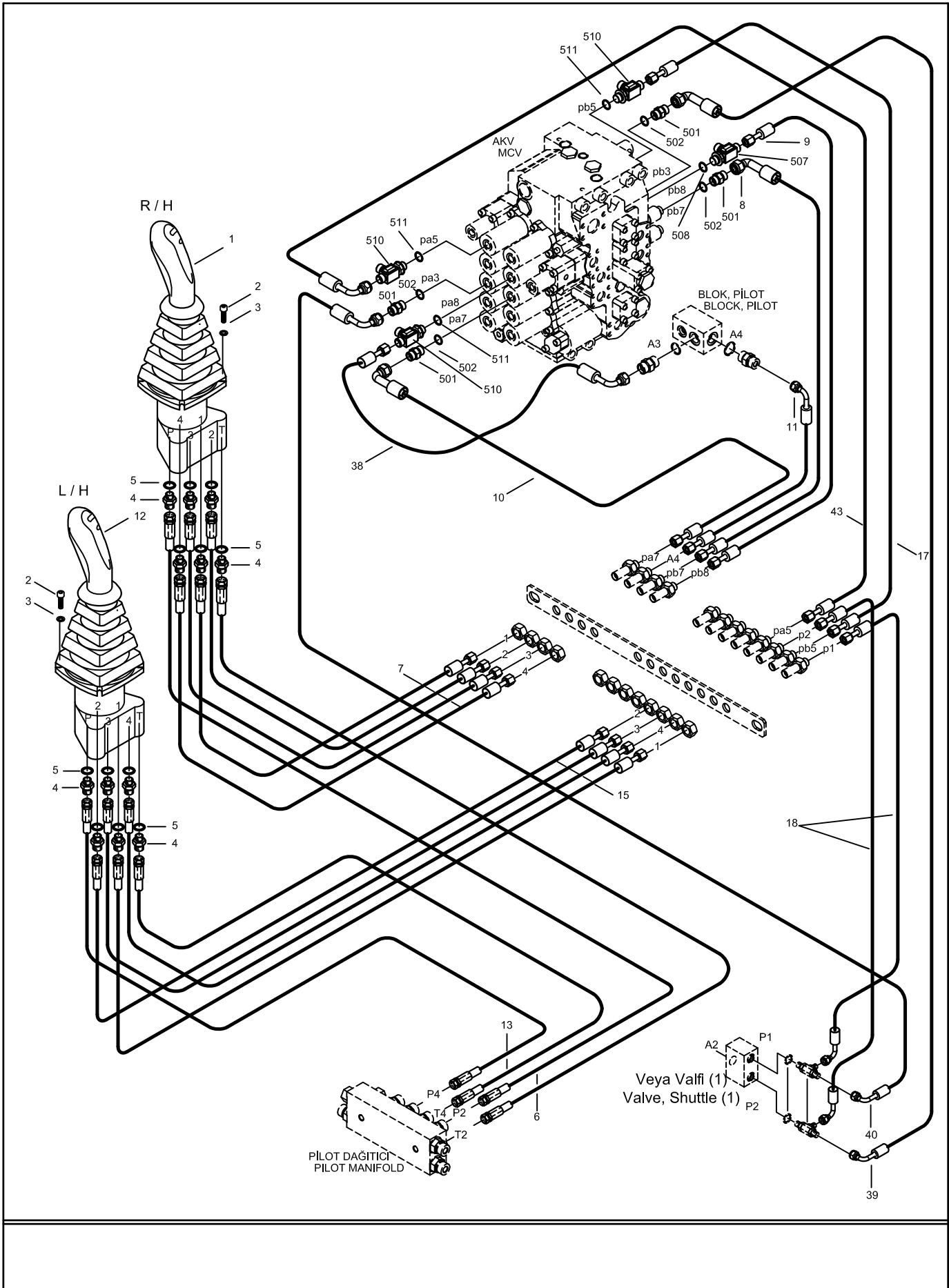
DÖNER DAĞITICI TURNING JOINT



DÖNER DAĞITICI TURNING JOINT

No	Parça No	Adı	Description	Adet	Not	Seri No	Y. Kul. S.K.
No	Part No			Q'ty	Note	Serial No	ICA S.C.
	H343100200	Döner Dağıtıcı	Joint, Turning	1			
1		Göbek	Hub	1			
2		Şaft Komitesi	Shaft Ass'y	1			
3		Kapak	Cover	1			
4		Mesafe Bileziği	Spacer	1			
5		Şim	Shim	1			
6		Şim	Shim	1			
7	H349030027	Keçe	Seal, Slipper	7			K
8	H349030028	O-Ring	O-Ring	1			K
9	H349030029	O-Ring	O-Ring	1			K
10	H349030030	O-Ring	O-Ring	1			K
11		Tapa	Plug, PT	4	PT 3/4		
12		Tapa	Plug, PT	1	PT 1/4		
13	H349030033	Segman	Ring-Retainer	1			
14		Civata	Bolt, Hex Head	4	M12x1,75		
15		Yaylı Rondela	Washer, Spring	4	M12		
	• H349030036	Tamir Takımı	Seal KIT				K

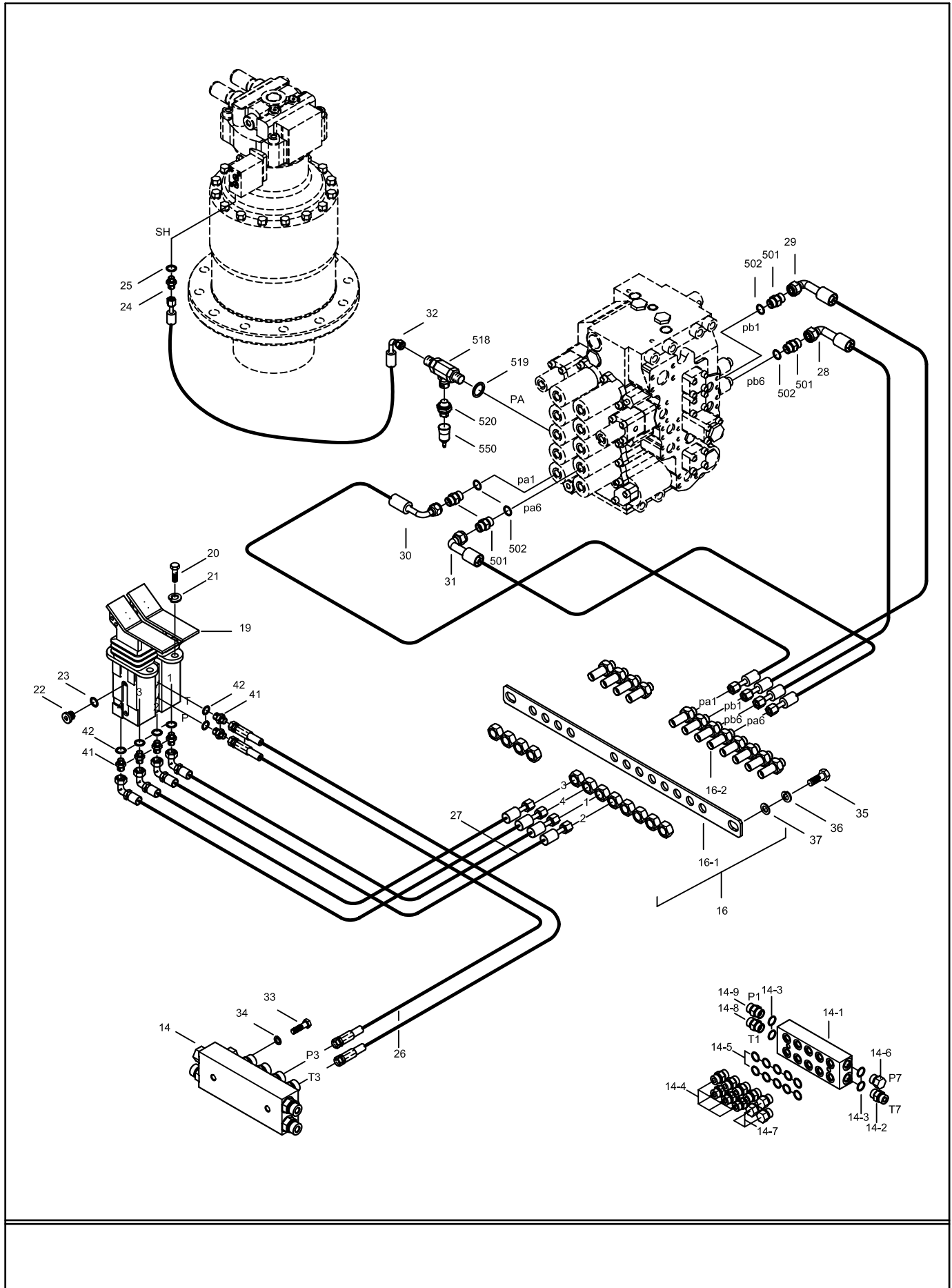
PİLOT DEVRE MONTAJI 1 (1/2) PILOT PIPING MOUNTING 1 (1/2)



PILOT DEVRE MONTAJI 1 (1/2)
PILOT PIPING MOUNTING 1 (1/2)

No	Parça No	Adı	Description	Adet	Not	Seri No	Y. Kul. S.K.
No	Part No			Q'ty	Note	Serial No	ICA S.C.
1	H343200301	Joistik Montajı, Sağ	Remote Cont. V/V, R	1		6125001-7125064	D
	H343200302	Joistik Montajı, Sağ	Remote Cont. V/V, R	1		7125065-	C
2	N01/5870376	S.B. Civata	Bolt, Cyl. Hd.	8	M6x40		
3	N03/1360008	Yaylı Rondela	Washer, Spr.	8	M6		
4	N16/K310366	Rekor	Connector	12			
5	N10/2001119	O-Ring	O-Ring	12			
6	97N092237	Hortum Komp.	Hose Ass'y	2			
7	97N092240	Hortum Komp.	Hose Ass'y	4			
8	97Q092236	Hortum Komp.	Hose Ass'y	1			
9	97N092240	Hortum Komp.	Hose Ass'y	1			
10	97Q092236	Hortum Komp.	Hose Ass'y	1			
11	97Q092217	Hortum Komp.	Hose Ass'y	1			
12	H343200901	Joistik Montajı, Sol	Remote Cont. V/V, L	1		6125001-7125064	D
	H343200902	Joistik Montajı, Sol	Remote Cont. V/V, L	1		7125065-	C
13	97N092240	Hortum Komp.	Hose Ass'y	2			
15	97N092237	Hortum Komp.	Hose Ass'y	4			
17	97N092248	Hortum Komp.	Hose Ass'y	1			
18	97Q092217	Hortum Komp.	Hose Ass'y	2			
38	97Q092229	Hortum Komp.	Hose Ass'y	1			
39	97U092232	Hortum Komp.	Hose Ass'y	1			
40	97S092232	Hortum Komp.	Hose Ass'y	1			
43	97Q092248	Hortum Komp.	Hose Ass'y	1			
501	N16/K114342	Rekor	Connector	4			
502	N10/2001322	O-Ring	O-Ring	4			
507	H343203202	A.T. Rekor	Tee	1			
508	N10/2001322	O-Ring	O-Ring	1			
510	N16/T040404	A.T. Rekor	Tee	3			
511	N10/2001322	O-Ring	O-Ring	3			

PİLOT DEVRE MONTAJI 1 (2/2) PILOT PIPING MOUNTING 1 (2/2)

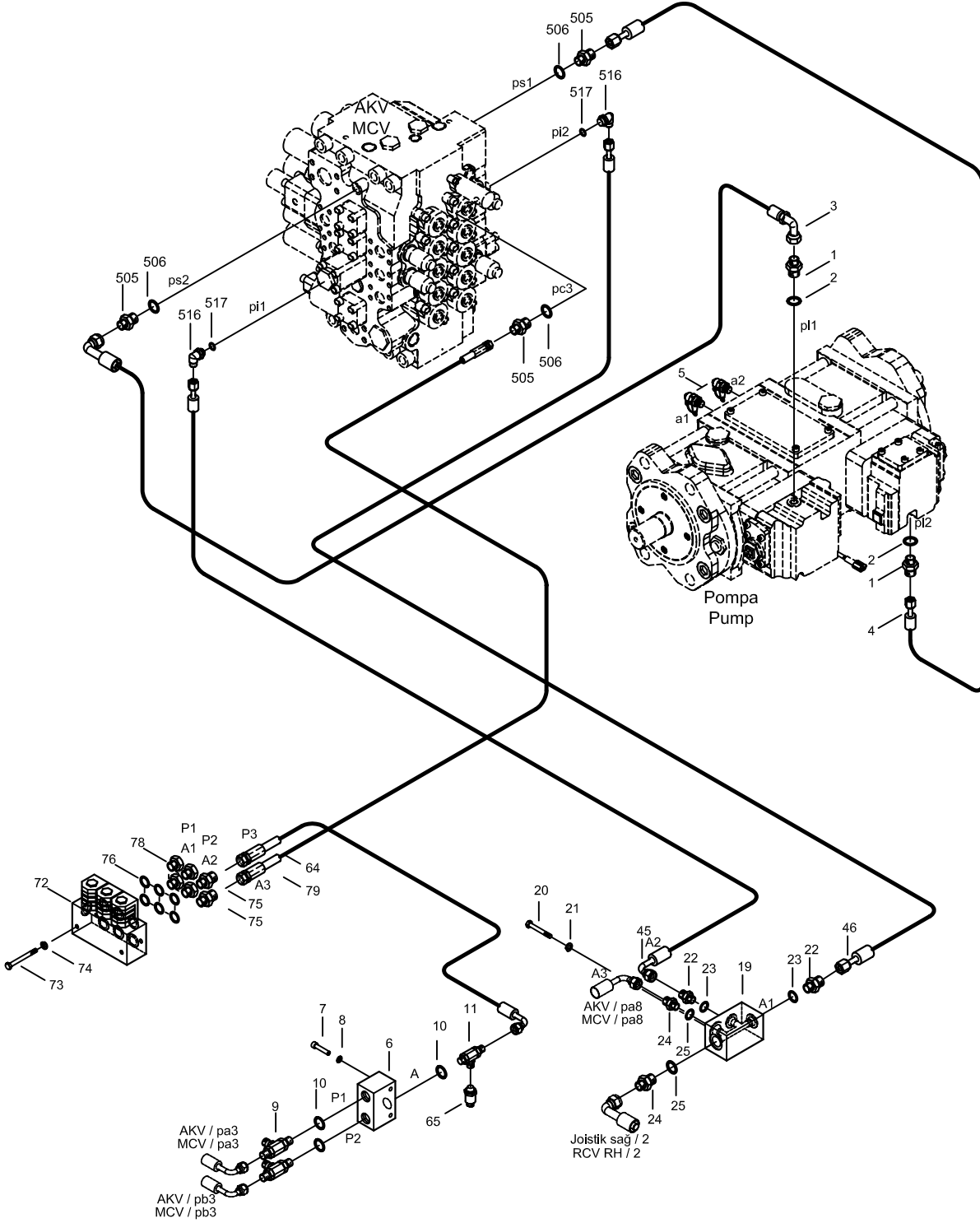


PİLOT DEVRE MONTAJI 1 (2/2)
PILOT PIPING MOUNTING 1 (2/2)

No	Parça No	Adı	Description	Adet	Not	Seri No	Y. Kul. S.K.
No	Part No			Q'ty	Note	Serial No	ICA S.C.
14	H253200500	Pilot Dağıtıcı Montajı	Pilot Manifold Ass'y	1			
14_1	H253200600	Dağıtıcı, Pilot	Manifold	1			
14_2	N16/K114343	Rekor	Connector	1			
14_3	N10/2001724	O-Ring	O-Ring	4			
14_4	N16/K114342	Rekor	Connector	7			
14_5	N10/2001322	O-Ring	O-Ring	10			
14_6	N16/X120003	Tapa	Plug	1			
14_7	N16/X120001	Tapa	Plug	3			
14_8	N16/K114349	Rekor	Connector	1			
14_9	H343200700	Rekor	Connector	1			
16	H253200200	Rekor Montajı	Support Ass'y, Conn.	1			
16_1	H253203000	Destek Sacı	Support	1			
16_2	N16/K200302	Rekor	Connector	12			
19	H343200400	Pedal Montajı	Pedal Ass'y	1			
20	N01/0232498	A.K.B. Civata	Bolt, Hex.	4	M10x35		
21	N03/1310011	Yaylı Rondela	Washer, Spr.	4	M10		
22	N16/X120004	Tapa	Plug	2			
23	N10/2001024	O-Ring	O-Ring	2			
24	N16/K114341	Rekor	Connector	1			
25	N10/2001024	O-Ring	O-Ring	1			
26	97N092221	Hortum Kompleksi	Hose Ass'y	2			
27	97Q092234	Hortum Kompleksi	Hose Ass'y	4			
28	97Q092236	Hortum Kompleksi	Hose Ass'y	1			
29	97Q092236	Hortum Kompleksi	Hose Ass'y	1			
30	97Q092236	Hortum Kompleksi	Hose Ass'y	1			
31	97Q092236	Hortum Kompleksi	Hose Ass'y	1			
32	97M091210	Hortum Kompleksi	Hose Ass'y	1			
33	N01/5890890	A.K.B. Civata	Bolt, Hex.	2	M10x60		
34	N03/1310011	Yaylı Rondela	Washer, Spr.	2	M10		
35	N01/0232462	A.K.B. Civata	Bolt, Hex.	2	M10x25		
36	N03/1310011	Yaylı Rondela	Washer, Spr.	2	M10		
37	N03/0100020	Pul	Washer, Pln.	2	M10		
41	N16/K114356	Rekor	Connector	6			
42	N10/2001024	O-Ring	O-Ring	6			
501	N16/K114342	Rekor	Connector	4			
502	N10/2001322	O-Ring	O-Ring	4			
518	H343201701	A.T. Rekor	Tee	1		6125001-6125005	
	H343201702	A.T. Rekor	Tee	1		6125006-	
519	N10/2001024	O-Ring	O-Ring	1			
520	H343201800	Basınç Müşiri	Pressure Switch	1		6125001-6125005	
	H343201801	Basınç Müşiri	Pressure Switch	1	*	6125006-	
550	H233512000	Koruyucu Kapak	Cover	1		6125006-	

(*) H343201702 ile birlikte H343201800 yerine kullanılabilir. / It can be used instead of H343201800 with H343201702.

PİLOT DEVRE MONTAJI 2 (1/2) PILOT PIPING MOUNTING 2 (1/2)

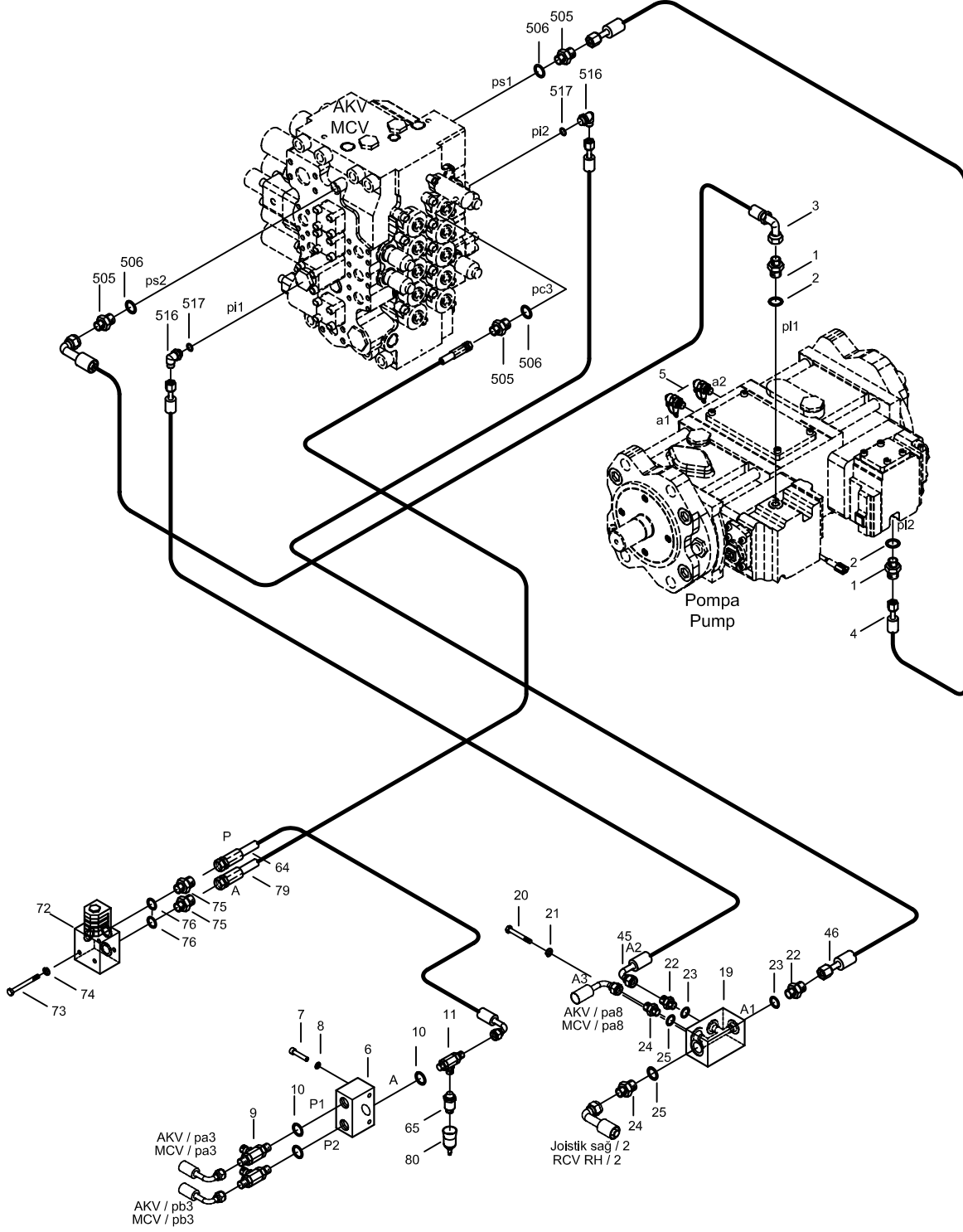


NOT: Bu görüntü 6125001-7125076 seri nolu makineler için geçerlidir.
NOTE: This view is valid for 6125001-7125076 serial number machines.

PILOT DEVRE MONTAJI 2 (1/2)
PILOT PIPING MOUNTING 2 (1/2)

No	Parça No	Adı	Description	Adet	Not	Seri No	Y. Kul. S.K.
No	Part No			Q'ty	Note	Serial No	ICA S.C.
1	N16/K114341	Rekor	Connector	2			
2	N10/2001024	O-Ring	O-Ring	2			
3	97K091276	Hortum Kompleksi	Hose Ass'y	1			
4	97Q091260	Hortum Kompleksi	Hose Ass'y	1			
5	F99/70100	Manometre Prizi	Coupling	2			
6	H343201601	Veya Valfi	Valve, Shuttle	1			
7	N01/5870398	S.B. Civata	Bolt, Cyl. Hd.	2	M6x50		
8	N03/1310008	Yaylı Rondela	Washer, Spr.	2	M6		
9	N16/T020404	A.T. Rekor	Tee	2			
10	N10/2001024	O-Ring	O-Ring	3			
11	H343201702	A.T. Rekor	Tee	1			
19	H253200700	Blok, Pilot	Block, Pilot	1			
20	N01/0370470	A.K.B. Civata	Bolt, Hex.	2	M8x70		
21	N03/1310010	Yaylı Rondela	Washer, Spr.	2	M8		
22	N16/K114341	Rekor	Connector	2			
23	N10/2001024	O-Ring	O-Ring	2			
24	N16/K114342	Rekor	Connector	2			
25	N10/2001322	O-Ring	O-Ring	2			
45	97Q091224	Hortum Kompleksi	Hose Ass'y	1			
46	97N091232	Hortum Kompleksi	Hose Ass'y	1			
64	97Q091211	Hortum Kompleksi	Hose Ass'y	1			
65	H233511000	Fren Lamba Müşiri	Press. Switch, Brake	1			
72	H253201500	3'lü Öncelik Sol. Valf	3-Solenoid Priority V/V	1		6125001-7125076	D
73	N01/0232138	A.K.B. Civata	Bolt, Hex.	2	M8x25	6125001-7125076	D
74	N03/1310010	Yaylı Rondela	Washer, Spr.	2	M8		
75	N16/K114348	Rekor	Connector	2			
76	N10/2001322	O-Ring	O-Ring	6		6125001-7125076	
78	N16/X120001	Tapa	Plug	4		6125001-7125076	
79	97N091240	Hortum Kompleksi	Hose Ass'y	1			
80	H233512000	Koruyucu Kapak	Cover	1			
505	N16/K114341	Rekor	Connector	3			
506	N10/2001024	O-Ring	O-Ring	3			
516	N16/N910001	Dirsek	Elbow	2			
517	N10/2001024	O-Ring	O-Ring	2			

PİLOT DEVRE MONTAJI 2 (1/2) PILOT PIPING MOUNTING 2 (1/2)



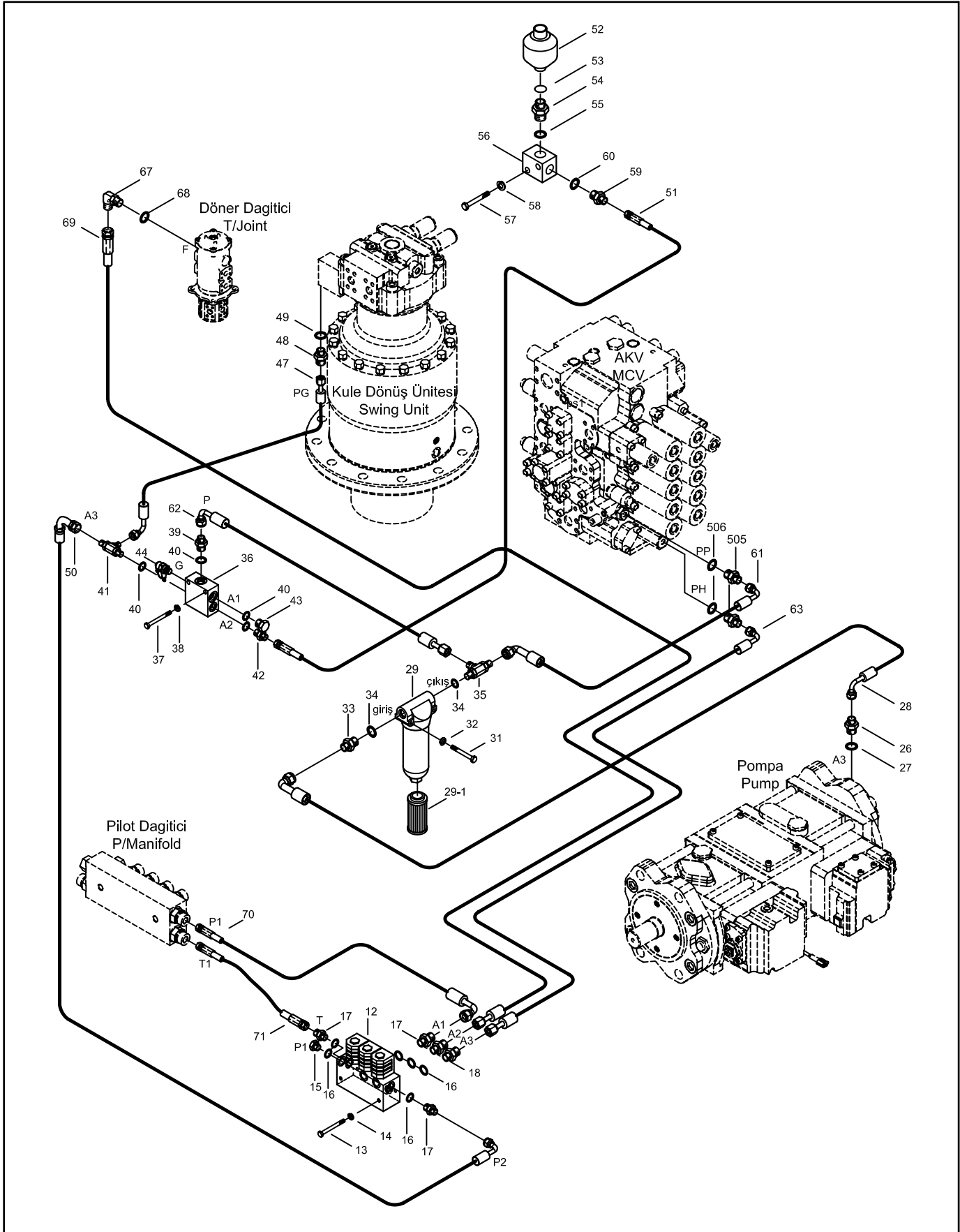
NOT: Bu görüntü 7125077- seri nolu makineden itibaren geçerlidir.
NOTE: This view is valid from 7125077- serial number machine.

PİLOT DEVRE MONTAJI 2 (1/2)
PILOT PIPING MOUNTING 2 (1/2)

No	Parça No	Adı	Description	Adet	Not	Seri No	Y. Kul. S.K.
No	Part No			Q'ty	Note	Serial No	ICA S.C.
1	N16/K114341	Rekor	Connector	2			
2	N10/2001024	O-Ring	O-Ring	2			
3	97K091276	Hortum Kompleksi	Hose Ass'y	1			
4	97Q091260	Hortum Kompleksi	Hose Ass'y	1			
5	F99/70100	Manometre Prizi	Coupling	2			
6	H343201601	Veya Valfi	Valve, Shuttle	1			
7	N01/5870398	S.B. Civata	Bolt, Cyl. Hd.	2	M6x50		
8	N03/1310008	Yaylı Rondela	Washer, Spr.	2	M6		
9	N16/T020404	A.T. Rekor	Tee	2			
10	N10/2001024	O-Ring	O-Ring	3			
11	H343201702	A.T. Rekor	Tee	1			
19	H253200700	Blok, Pilot	Block, Pilot	1			
20	N01/0370470	A.K.B. Civata	Bolt, Hex.	2	M8x70		
21	N03/1310010	Yaylı Rondela	Washer, Spr.	2	M8		
22	N16/K114341	Rekor	Connector	2			
23	N10/2001024	O-Ring	O-Ring	2			
24	N16/K114342	Rekor	Connector	2			
25	N10/2001322	O-Ring	O-Ring	2			
45	97Q091224	Hortum Kompleksi	Hose Ass'y	1			
46	97N091232	Hortum Kompleksi	Hose Ass'y	1			
64	97Q091211	Hortum Kompleksi	Hose Ass'y	1			
65	H233511000	Fren Lamba Müşiri	Press. Switch, Brake	1			
72	H253201501	1'li Öncelik Sol. Valf	1-Solenoid Priority V/V	1		7125077-	C
73	N01/02380482	A.K.B. Civata	Bolt, Hex.	2	M8x75	7125077-	D
74	N03/1310010	Yaylı Rondela	Washer, Spr.	2	M8		
75	N16/K114348	Rekor	Connector	2			
76	N10/2001322	O-Ring	O-Ring	2		7125077-	
79	97N091240	Hortum Kompleksi	Hose Ass'y	1			
80	H233512000	Koruyucu Kapak	Cover	1			
505	N16/K114341	Rekor	Connector	3			
506	N10/2001024	O-Ring	O-Ring	3			
516	N16/N910001	Dirsek	Elbow	2			
517	N10/2001024	O-Ring	O-Ring	2			

PİLOT DEVRE MONTAJI 2 (2/2)

PILOT PIPING MOUNTING 2 (2/2)



NOT: Bu görüntü 6125001-7125076 seri nolu makineler için geçerlidir.
 NOTE: This view is valid for 6125001-7125076 serial number machines.

PILOT DEVRE MONTAJI 2 (2/2)
PILOT PIPING MOUNTING 2 (2/2)

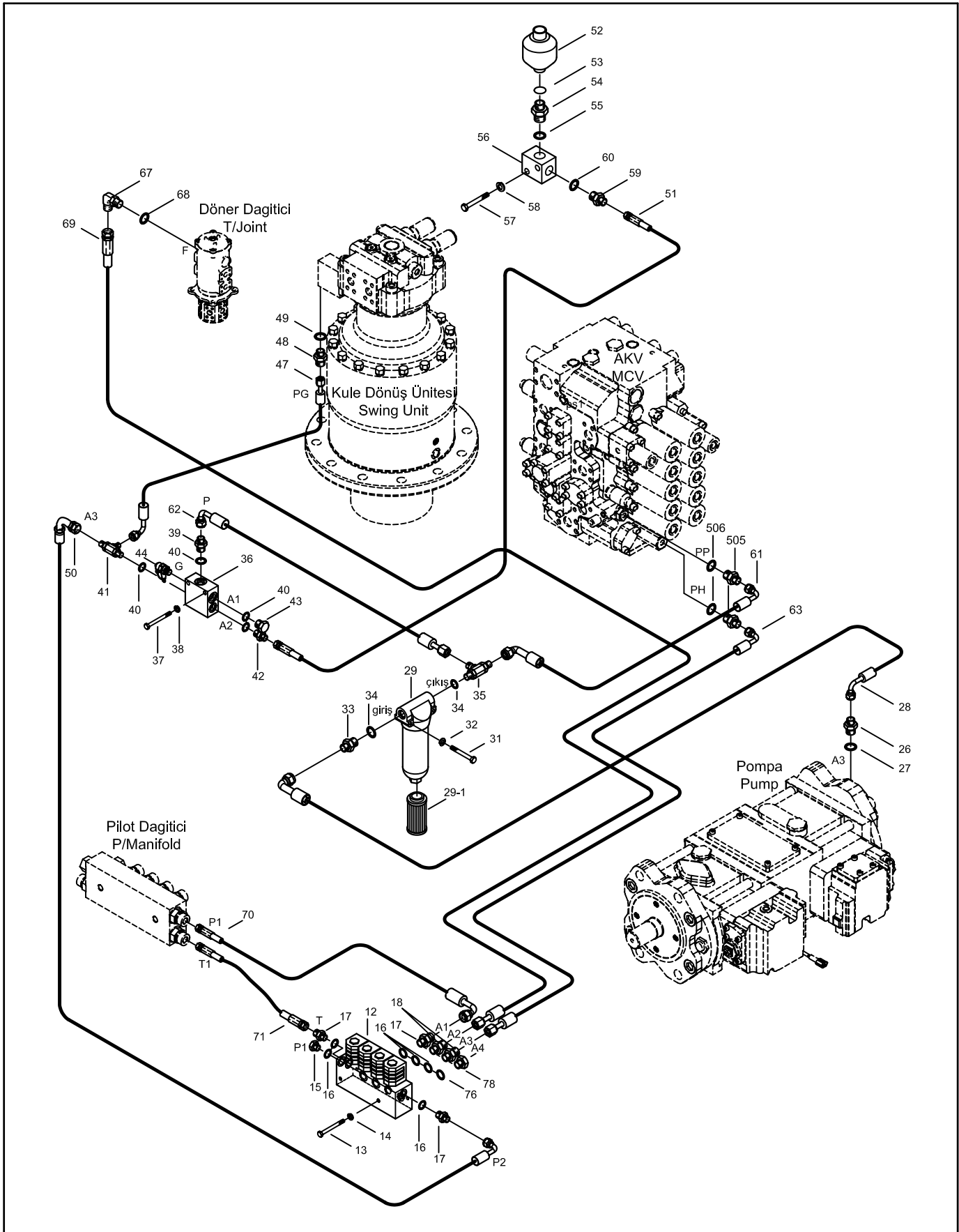
No No	Parça No Part No	Adı Description	Adet Q'ty	Not Note	Seri No Serial No	Y. Kul. S.K. ICA S.C.
12	H343201500	Solenoid Valf	Solenoid Valve	1	3'lü / 3 Solenoid	6125001-7125076 D
13	N01/0232138	A.K.B. Civata	Bolt, Hex.	2	M8x25	6125001-7125076 D
14	N03/1310010	Yaylı Rondela	Washer, Spr.	2	M8	
15	N16/X120004	Tapa	Plug	1		
16	N10/2001024	O-Ring	O-Ring	6		
17	N16/K114356	Rekor	Connector	3		
18	N16/K114341	Rekor	Connector	2		
26	N16/K114343	Rekor	Connector	1		
27	N10/2001724	O-Ring	O-Ring	1		
28	99U093218	Hortum Komplexi	Hose Ass'y	1		
29	H253201100	Pilot Hattı Filtresi	Pilot Filter	1		
29_1	H259082003	Filtre Elemanı	Element, Filter	1		
31	N01/0370326	A.K.B. Civata	Bolt, Hex.	2	M6x60	
32	N03/1310008	Yaylı Rondela	Washer, Spr.	2	M6	
33	N16/K114343	Rekor	Connector	1		
34	N10/2001724	O-Ring	O-Ring	2		
35	H343201401	A.T. Rekor	Tee	1		
36	H343202300	Çek Valf, Pilot	Check Valve, Pilot	1		
37	N01/0380410	A.K.B. Civata	Bolt, Hex.	2	M8x50	
38	N03/1310010	Yaylı Rondela	Washer, Spr.	2	M8	
39	N16/K114357	Rekor	Connector	1		
40	N10/2001322	O-Ring	O-Ring	4		
41	H343203202	A.T. Rekor	Tee	1		
42	N16/K114348	Rekor	Connector	1		
43	N16/X120001	Tapa	Plug	1		
44	F99/70100	Manometre Prizi	Coupling	1		
47	97P091243	Hortum Komplexi	Hose Ass'y	1		
48	N16/K114341	Rekor	Connector	1		
49	N10/2001024	O-Ring	O-Ring	1		
50	97S092264	Hortum Komplexi	Hose Ass'y	1		
51	97N091224	Hortum Komplexi	Hose Ass'y	1		
52	H343202501	Akümülatör	Accumulator	1		
53	N03/0000015	Pul, Contalı	Washer	1		
54	N16/K520107	Rekor	Connector	1		
55	N10/2001322	O-Ring	O-Ring	1		
56	H343202600	Akümülatör Bloğu	Block, Accumulator	1		
57	N01/0380650	A.K.B. Civata	Bolt, Hex.	2	M10x50	
58	N03/1310011	Yaylı Rondela	Washer, Spr.	2	M10	
59	N16/K114341	Rekor	Connector	1		
60	N10/2001024	O-Ring	O-Ring	1		
61	97U091246	Hortum Komplexi	Hose Ass'y	1		
62	99P093213	Hortum Komplexi	Hose Ass'y	1		
63	97Q091236	Hortum Komplexi	Hose Ass'y	1		
67	N16/N910001	Dirsek	Elbow	1		

PİLOT DEVRE MONTAJI 2 (2/2)
PILOT PIPING MOUNTING 2 (2/2)

No	Parça No	Adı		Adet	Not	Seri No	Y. Kul. S.K.
No	Part No		Description	Q'ty	Note	Serial No	ICA S.C.
68	N10/2001024	O-Ring	O-Ring	1			
69	97N091246	Hortum Kompleksi	Hose Ass'y	1			
70	97Q092219	Hortum Kompleksi	Hose Ass'y	1			
71	97N092218	Hortum Kompleksi	Hose Ass'y	1			
505	N16/K114341	Rekor	Connector	2			
506	N10/2001024	O-Ring	O-Ring	2			

PİLOT DEVRE MONTAJI 2 (2/2)

PILOT PIPING MOUNTING 2 (2/2)



NOT: Bu görüntü 7125077- seri nolu makineden itibaren geçerlidir.
 NOTE: This view is valid from 7125077- serial number machine.

PILOT DEVRE MONTAJI 2 (2/2)
PILOT PIPING MOUNTING 2 (2/2)

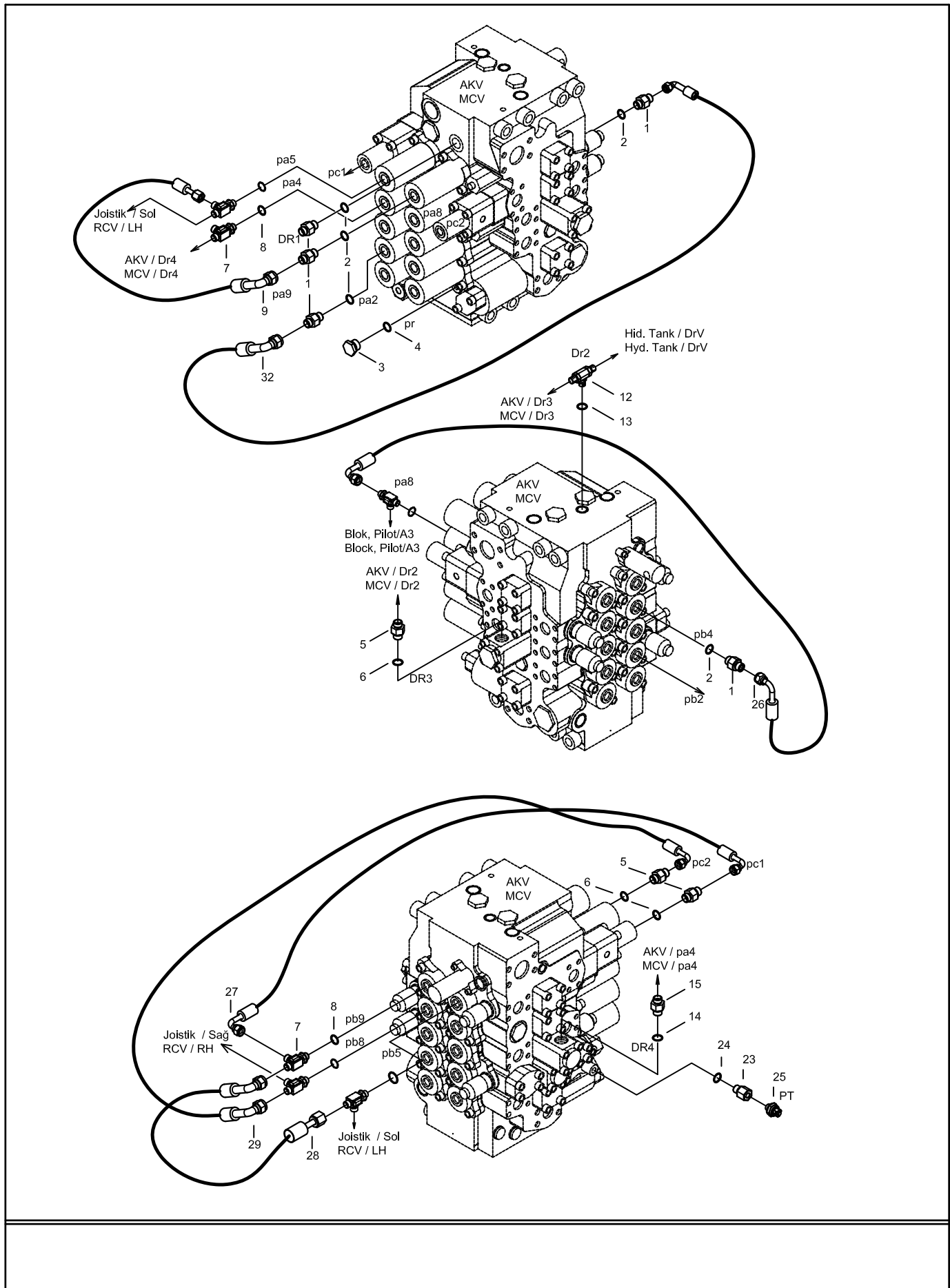
No	Parça No	Adı	Adet	Not	Seri No	Y. Kul. S.K.
No	Part No	Description	Q'ty	Note	Serial No	ICA S.C.
12	H343201500	Solenoid Valf	Solenoid Valve	1	4'lü / 4 Solenoid, *	7125077- C
13	N01/03800482	A.K.B. Civata	Bolt, Hex.	2	M8x75	7125077- D
14	N03/1310010	Yaylı Rondela	Washer, Spr.	2	M8	
15	N16/X120004	Tapa	Plug	1		
16	N10/2001024	O-Ring	O-Ring	6		
17	N16/K114356	Rekor	Connector	3		
18	N16/K114341	Rekor	Connector	2		
26	N16/K114343	Rekor	Connector	1		
27	N10/2001724	O-Ring	O-Ring	1		
28	99U093218	Hortum Komplexi	Hose Ass'y	1		
29	H253201100	Pilot Hattı Filtresi	Pilot Filter	1		
29_1	H259082003	Filtre Elemanı	Element, Filter	1		
31	N01/0370326	A.K.B. Civata	Bolt, Hex.	2	M6x60	
32	N03/1310008	Yaylı Rondela	Washer, Spr.	2	M6	
33	N16/K114343	Rekor	Connector	1		
34	N10/2001724	O-Ring	O-Ring	2		
35	H343201401	A.T. Rekor	Tee	1		
36	H343202300	Çek Valf, Pilot	Check Valve, Pilot	1		
37	N01/0380410	A.K.B. Civata	Bolt, Hex.	2	M8x50	
38	N03/1310010	Yaylı Rondela	Washer, Spr.	2	M8	
39	N16/K114357	Rekor	Connector	1		
40	N10/2001322	O-Ring	O-Ring	4		
41	H343203202	A.T. Rekor	Tee	1		
42	N16/K114348	Rekor	Connector	1		
43	N16/X120001	Tapa	Plug	1		
44	F99/70100	Manometre Prizi	Coupling	1		
47	97P091243	Hortum Komplexi	Hose Ass'y	1		
48	N16/K114341	Rekor	Connector	1		
49	N10/2001024	O-Ring	O-Ring	1		
50	97S092264	Hortum Komplexi	Hose Ass'y	1		
51	97N091224	Hortum Komplexi	Hose Ass'y	1		
52	H343202501	Akümülatör	Accumulator	1		
53	N03/0000015	Pul, Contalı	Washer	1		
54	N16/K520107	Rekor	Connector	1		
55	N10/2001322	O-Ring	O-Ring	1		
56	H343202600	Akümülatör Bloğu	Block, Accumulator	1		
57	N01/0380650	A.K.B. Civata	Bolt, Hex.	2	M10x50	
58	N03/1310011	Yaylı Rondela	Washer, Spr.	2	M10	
59	N16/K114341	Rekor	Connector	1		
60	N10/2001024	O-Ring	O-Ring	1		
61	97U091246	Hortum Komplexi	Hose Ass'y	1		
62	99P093213	Hortum Komplexi	Hose Ass'y	1		
63	97Q091236	Hortum Komplexi	Hose Ass'y	1		
67	N16/N910001	Dirsek	Elbow	1		

(*) N10/2001322, N16/X120001 ve N01/03800482 ile birlikte 3'lü solenoid yerine kullanılabilir. / It can be used instead of 3 solenoid with N10/2001322, N16/X120001 and N01/03800482.

PILOT DEVRE MONTAJI 2 (2/2)
PILOT PIPING MOUNTING 2 (2/2)

No	Parça No	Adı	Description	Adet	Not	Seri No	Y. Kul. S.K.
No	Part No			Q'ty	Note	Serial No	ICA S.C.
68	N10/2001024	O-Ring	O-Ring	1			
69	97N091246	Hortum Kompleksi	Hose Ass'y	1			
70	97Q092219	Hortum Kompleksi	Hose Ass'y	1			
71	97N092218	Hortum Kompleksi	Hose Ass'y	1			
76	N10/2001322	O-Ring	O-Ring	1		7125077-	
78	N16/X120001	Tapa	Plug	1		7125077-	
505	N16/K114341	Rekor	Connector	2			
506	N10/2001024	O-Ring	O-Ring	2			

PİLOT DEVRE MONTAJI 3 PILOT PIPING MOUNTING 3



PİLOT DEVRE MONTAJI 3

PILOT PIPING MOUNTING 3

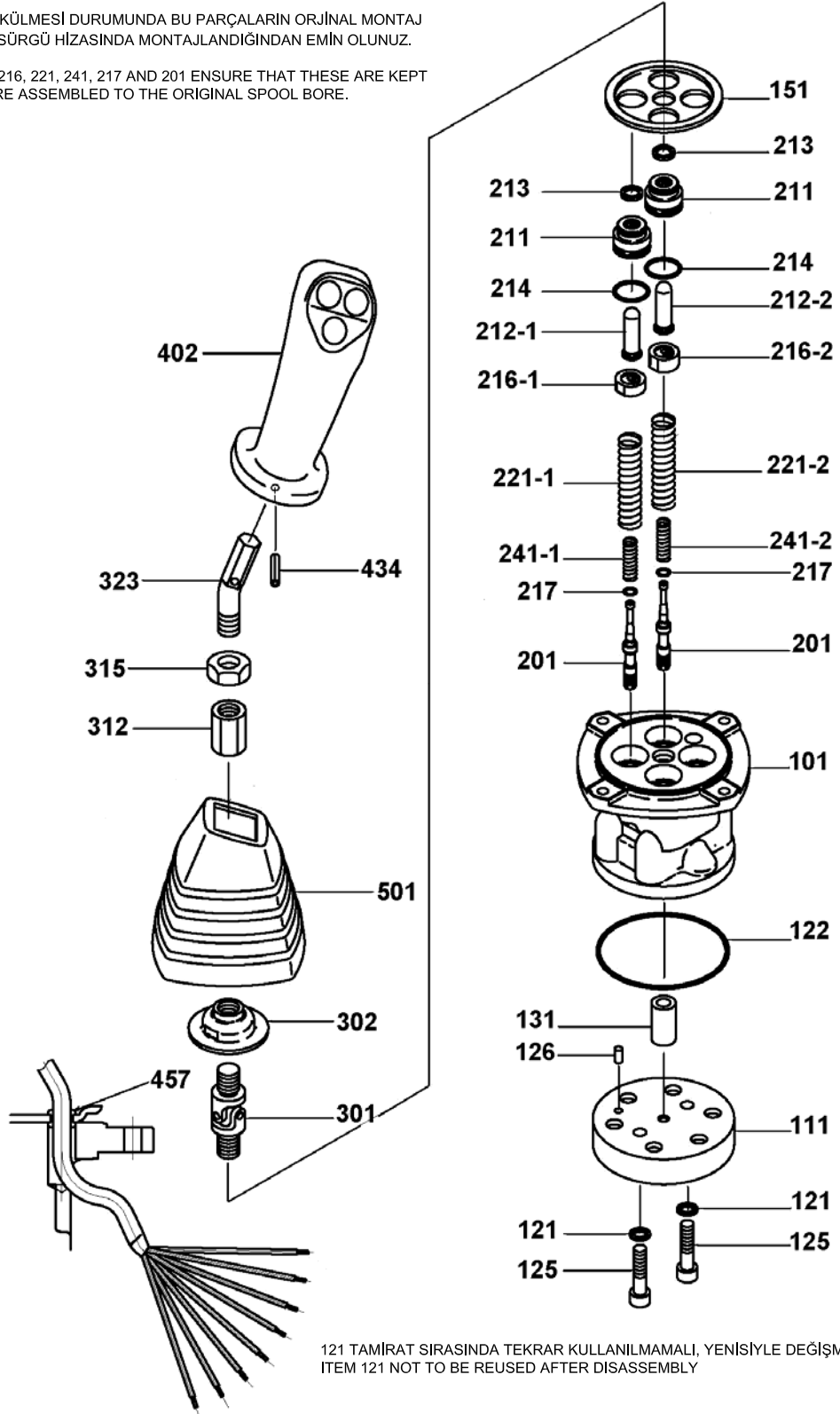
No	Parça No	Adı	Description	Adet	Not	Seri No	Y. Kul. S.K.
No	Part No			Q'ty	Note	Serial No	ICA S.C.
1	N16/K114342	Rekor	Connector	4			
2	N10/2001322	O-Ring	O-Ring	4			
3	N16/X120001	Tapa	Plug	2			
4	N10/2001322	O-Ring	O-Ring	2			
5	N16/K114341	Rekor	Connector	3			
6	N10/2001024	O-Ring	O-Ring	3			
7	H343203202	A.T. Rekor	Tee	2			
8	N10/2001322	O-Ring	O-Ring	2			
9	97Q092218	Hortum Komplexi	Hose Ass'y	1			
12	N16/R020202	A.T. Rekor	Tee	1			
13	N10/2001024	O-Ring	O-Ring	1			
14	N16/K114341	Rekor	Connector	1			
15	N10/2001024	O-Ring	O-Ring	1			
23	H343202900	Adaptör	Connector	1		5125001-6125005	
	H343203500	Adaptör	Connector	1		6125006-	
24	N10/2001024	O-Ring	O-Ring	1			
25	H343201800	Basınç Müşiri	Pressure Switch	1		5125001-6125005	
	H343201801	Basınç Müşiri	Pressure Switch	1	*	6125006-	
26	97S092232	Hortum Komplexi	Hose Ass'y	1			
27	97S091231	Hortum Komplexi	Hose Ass'y	1			
28	97Q092221	Hortum Komplexi	Hose Ass'y	1			
29	97S091231	Hortum Komplexi	Hose Ass'y	1			
32	97T092230	Hortum Komplexi	Hose Ass'y	1			

(*) H343203500 ile birlikte H343201800 yerine kullanılabilir. / It can be used instead of H343201800 with H343203500.

JOİSTİK (SAĞ/SOL) REMOTE CONTROL VALVE (R/L)

211, 212, 216, 221, 241, 217 VE 201'İN SÖKÜLMESİ DURUMUNDA BU PARÇALARIN ORJİNAL MONTAJ SIRASINDA OLDUĞUNDAN VE ORJİNAL SÜRGÜ HİZASINDA MONTAJLANDIĞINDAN EMİN OLUNUZ.

IF REMOVING ITEM NUMBERS 211, 212, 216, 221, 241, 217 AND 201 ENSURE THAT THESE ARE KEPT IN ORIGINAL ASSEMBLY ORDER AND ARE ASSEMBLED TO THE ORIGINAL SPOOL BORE.



NOT: Bu görüntü 6125001-7125064 seri nolu makineler için geçerlidir.
NOTE: This view is valid for 6125001-7125064 serial number machines.

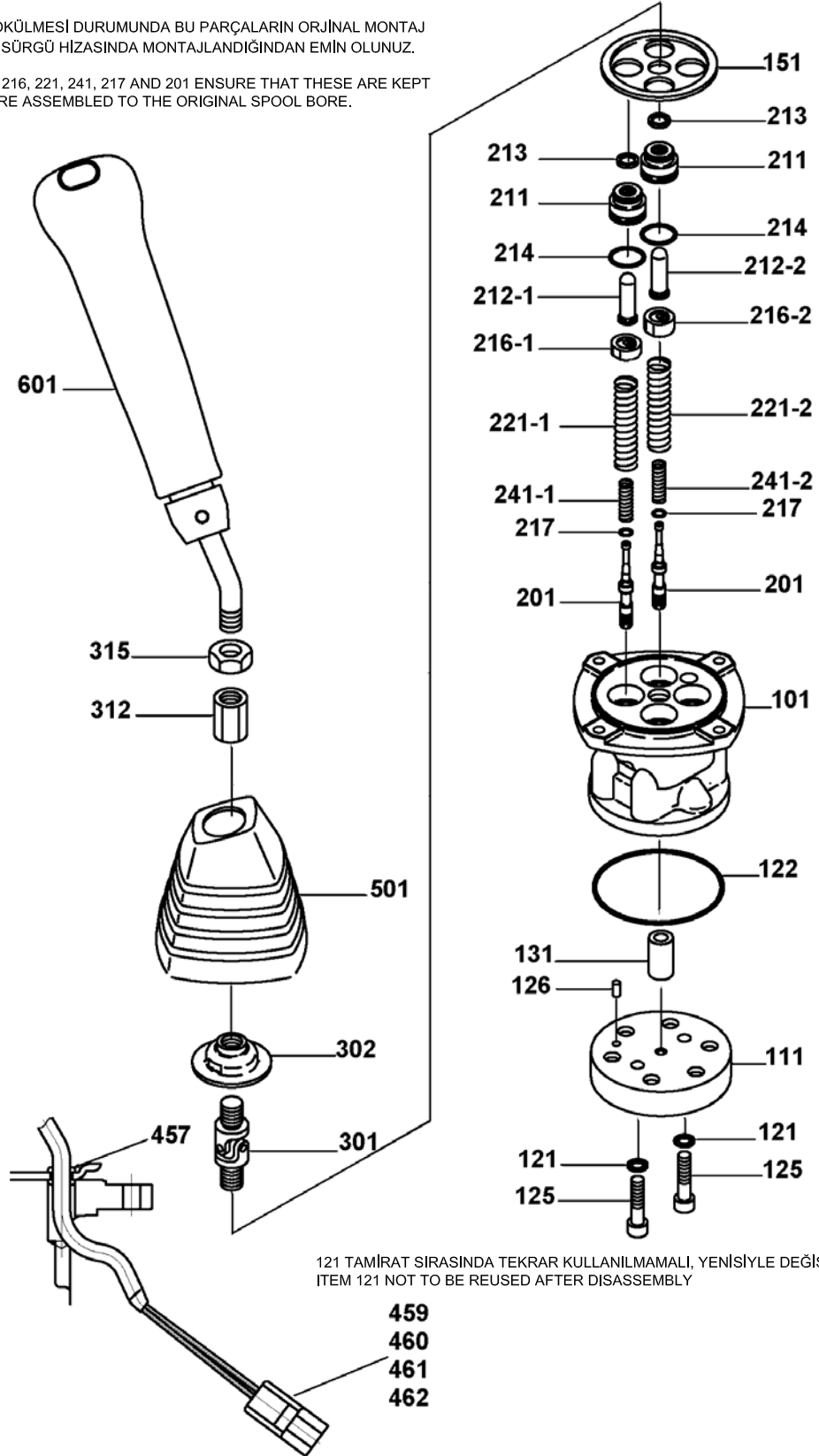
JOİSTİK (SAĞ/SOL)
REMOTE CONTROL VALVE (R/L)

No	Parça No	Adı	Adet	Not	Seri No	Y. Kul.	S.K.
No	Part No	Description	Q'ty	Note	Serial No	ICA	S.C.
	H343200301	Joistik Montajı, Sağ	1		6125001-7125064	D	
	H343200901	Joistik Montajı, Sol	1		6125001-7125064	D	
101	H349042001	Koruyucu	1				NSP
111	H349042002	Kapak, Port	1				NSP
121	H349042003	Pul, Sızdırmazlık	2				K
122	H349042004	O-Ring	1				K
125	H349042005	Cıvata	2	M8x35			NSP
126	H349042006	Pim	1				NSP
131	H349042007	Burç	1				NSP
151	H349042008	Kapak Tutucusu	1		6125001-7125064	D	NSP
152	H349042009	Körük Tutucusu	1				NSP
201	H349042010	Valf Sürgüsü	4				NSP
211	H349042011	Kapak	4				NSP
212-1	H349042012	İtici Pim	2	Port 1&3			NSP
212-2	H349042013	İtici Pim	2	Port 2&4			NSP
213	H349042014	Keçe	4				K
214	H349042015	O-Ring	4				K
216-1	H349042016	Yay Tutucusu	2	Port 1&3			NSP
216-2	H349042017	Yay Tutucusu	2	Port 2&4			NSP
217	H349042018	Pul 2	4				NSP
221-1	H349042019	Yay	1	Port 1			NSP
221-2	H349042020	Yay	3	Port 2&3&4			NSP
241-1	H349042021	Yay	2	Port 1&3			NSP
241-2	H349042022	Yay	2	Port 2&4			NSP
301	H349042023	Mafsal	1				NSP
302	H349042024	İtici Disk	1				NSP
312	H349042025	Somun, Ayar	1				NSP
315	H349042026	Somun, Kilit	1				NSP
323	H349042027	Levyeye	1		6125001-7125064		NSP
402	H349042028	Topuz	1		6125001-7125064		NSP
434	H349042029	Pim	1		6125001-7125064		NSP
457	H349042030	Burç	1		6125001-7125064	D	K
501	H349042031	Akordion Körük	1		6125001-7125064	D	NSP
•	H349042032	Tamir Takımı	1	K	6125001-7125064	D	

JOİSTİK (SAĞ/SOL) REMOTE CONTROL VALVE (R/L)

211, 212, 216, 221, 241, 217 VE 201'İN SÖKÜLMESİ DURUMUNDA BU PARÇALARIN ORJİNAL MONTAJ SIRASINDA OLDUĞUNDAN VE ORJİNAL SÜRGÜ HİZASINDA MONTAJLANDIĞINDAN EMİN OLUNUZ.

IF REMOVING ITEM NUMBERS 211, 212, 216, 221, 241, 217 AND 201 ENSURE THAT THESE ARE KEPT IN ORIGINAL ASSEMBLY ORDER AND ARE ASSEMBLED TO THE ORIGINAL SPOOL BORE.

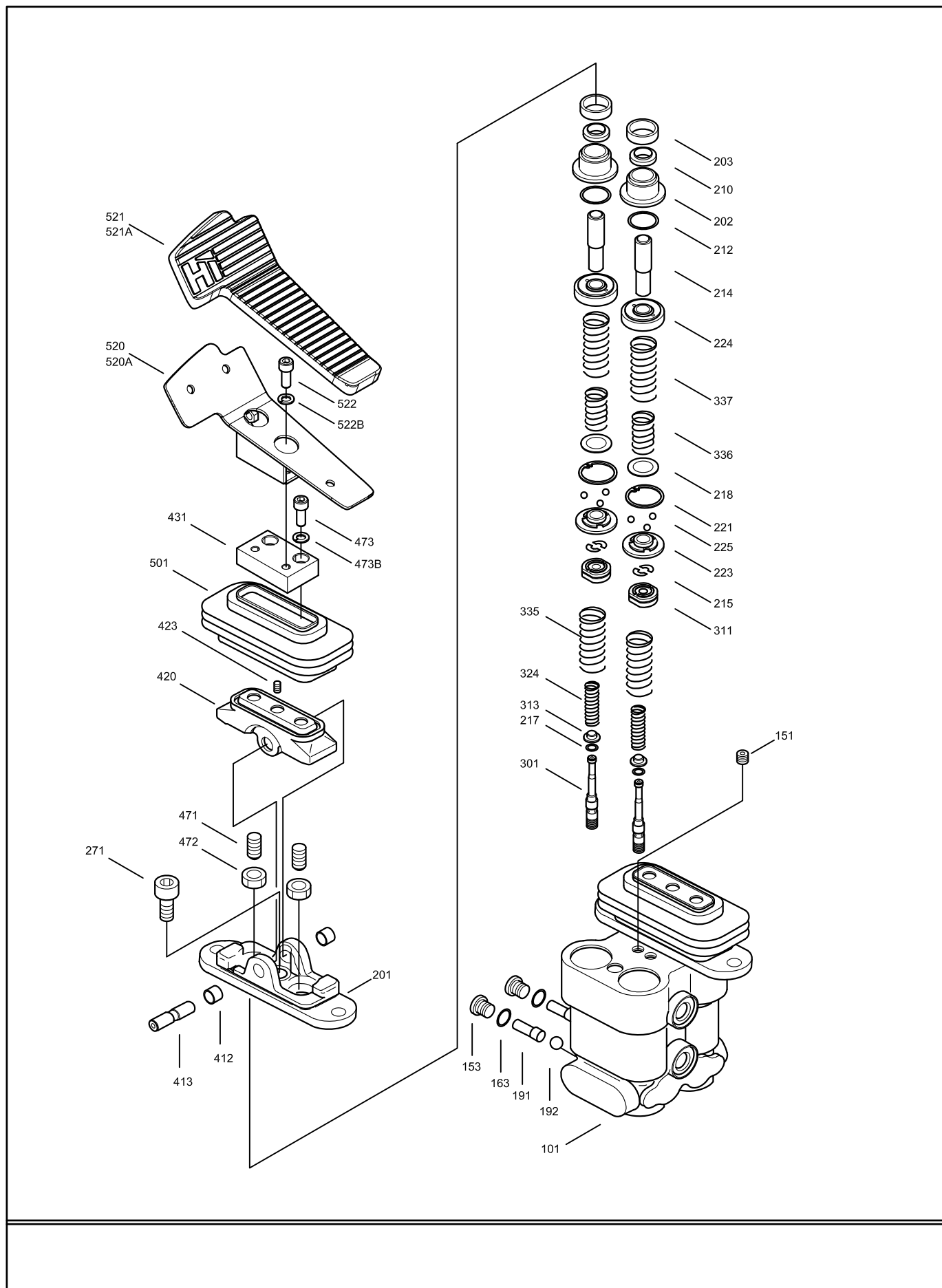


NOT: Bu görüntü 7125065- seri nolu makineden itibaren geçerlidir.
NOTE: This view is valid from 7125065- serial number machine.

JOİSTİK (SAĞ/SOL)
REMOTE CONTROL VALVE (R/L)

No	Parça No	Adı	Adet	Not	Seri No	Y. Kul. S.K.
No	Part No	Description	Q'ty	Note	Serial No	ICA S.C.
	H343200302	Joistik Montajı, Sağ	1		7125065-	C
	H343200902	Joistik Montajı, Sol	1		7125065-	C
101	H349042001	Koruyucu	1			NSP
111	H349042002	Kapak, Port	1			NSP
121	H349042003	Pul, Sızdırmazlık	2			K
122	H349042004	O-Ring	1			K
125	H349042005	Cıvata	2	M8x35		NSP
126	H349042006	Pim	1			NSP
131	H349042007	Burç	1			NSP
151	H349042008A	Kapak Tutucusu	1		7125065-	D NSP
201	H349042010	Valf Sürgüsü	4			NSP
211	H349042011	Kapak	4			NSP
212-1	H349042012	İtici Pim	2	Port 1&3		NSP
212-2	H349042013	İtici Pim	2	Port 2&4		NSP
213	H349042014	Keçe	4			K
214	H349042015	O-Ring	4			K
216-1	H349042016	Yay Tutucusu	2	Port 1&3		NSP
216-2	H349042017	Yay Tutucusu	2	Port 2&4		NSP
217	H349042018	Pul 2	4			NSP
221-1	H349042019	Yay	1	Port 1		NSP
221-2	H349042020	Yay	3	Port 2&3&4		NSP
241-1	H349042021	Yay	2	Port 1&3		NSP
241-2	H349042022	Yay	2	Port 2&4		NSP
301	H349042023	Mafsalsal	1			NSP
302	H349042024	İtici Disk	1			NSP
312	H349042025	Somun, Ayar	1			NSP
315	H349042026	Somun, Kilit	1			NSP
457	H349042030A	Burç	1		7125065-	D K
459	H349042033	Terminal	2		7125065-	NSP
460	H349042034	Yuva	1		7125065-	NSP
461	H349042035	Kilit Sacı	1		7125065-	NSP
462	H349042036	Tesisat Contası	1		7125065-	NSP
501	H349042031A	Akordion Körük	1		7125065-	D NSP
601	H349042037	Topuz Kompleksi, Sol	1		7125065-	NSP
	H349042038	Topuz Kompleksi, Sağ	1		7125065-	NSP
•	H349042039	Tamir Takımı	1	K	7125065-	D

PEDAL PEDAL



PEDAL

PEDAL

No	Parça No	Adı	Description	Adet	Not	Seri No	Y. Kul. S.K.
No	Part No			Q'ty	Note	Serial No	ICA S.C.
	H343200400	Pedal Montajı	Pedal Ass'y	1	**		
	H343203700	Valf Bloğu	Valve Ass'y	1	*	7125157-	
101	H349043001	Gövde	Casing	1			NSP
151	H349043002	Tapa	Plug	6			
153	H349043003	Tapa	Plug	2			
163	H349043004	O-Ring	O-Ring	2			K
191	H349043005	Disk	Sheet	2			
192	H349043006	Bilya	Ball	2			
201	H349043007	Kapak	Cover	2			
202	H349043008	Tapa	Plug	4			
203	H349043009	Gres Kapağı	Grease Cap	4			
210	H349043010	NHU Sızdırmazlık El.	NHU Packing	4			K
212	H349043011	O-Ring	O-Ring	4			K
214	H349043012	İtici Pim	Rod, Push	4			
215	H349043013	Pul 1	Washer 1	8			
217	H349043014	Pul 2	Washer 2	4			
218	H349043015	Yay Tutucusu	Seat, Spring	4			
221	H349043016	Segman	Retaining Ring	4			
223	H349043017	Burç	Bush	4			
224	H349043018	Piston	Piston	4			
225	H349043019	Bilya	Ball	12			
271	H349043020	Civata	Screw	2	M15x55		
301	H349043021	Sürgü	Spool	4			
311	H349043022	Yay Tutucusu	Seat, Spring	4			
313	H349043023	Pul 3	Washer 3	4			
324	H349043024	Yay	Spring	4			
335	H349043025	Yay	Spring	4			
336	H349043026	Yay	Spring	4			
337	H349043027	Yay	Spring	4			
412	H349043028	Burç	Bush	4			
413	H349043029	Kam Mili	Cam Shaft	2			
420	H349043030	Kam	Cam	2			
423	H349043031	Setskur	Set Screw	2	M6x6		
431	H349043032	Blok	Block	2		5125001-7125156	A
	H343205900	Blok	Block	2		7125157-	A
471	H349043033	Setskur	Set Screw	4			
472	H349043034	Kilit Somunu	Lock Nut	4	M10		
473	H349043035	Civata	Screw	4	M10x20	5125001-7125156	
	N01/5870806	Civata	Screw	4	M10x25	7125157-	
473B	N03/1360010	Pul	Washer, Spr.	4	M10	7125157-	
501	H349043036	Akordion Körük	Bellows	2			

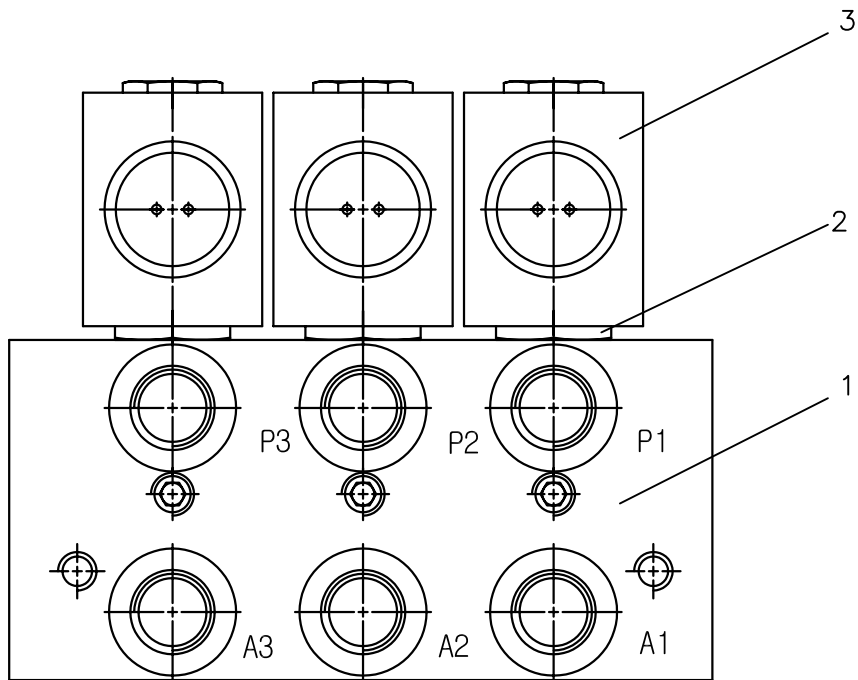
(*) 431, 473, 473B, 520, 520A, 521, 521A, 522, 522B hariç diğer bütün parçaları kapsar. / Includes all parts, except 431, 473, 473B, 520, 520A, 521, 521A, 522, 522B .

(**) "*" ile açıklanan parçaları, ve diğer bütün parçaları kapsar. / Includes parts explained with "*" and all others.

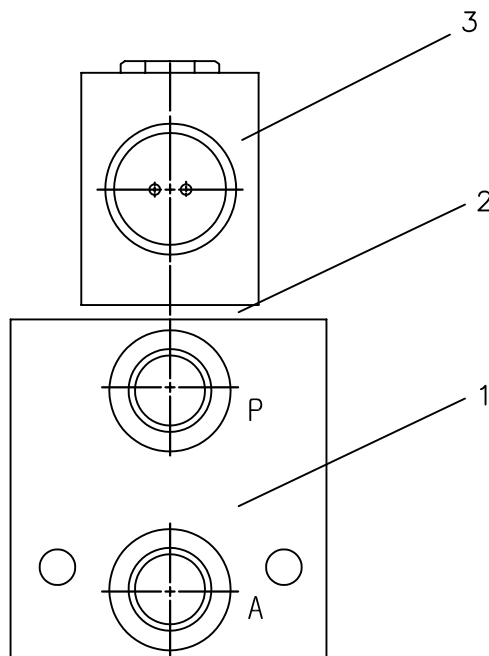
PEDAL
PEDAL

No	Parça No	Adı	Description	Adet	Not	Seri No	Y. Kul. S.K.
No	Part No			Q'ty	Note	Serial No	ICA S.C.
520	H349043037	Pedal	Pedal	2		5125001-7125156	A
	H343205100	Pedal, Sağ	Pedal, R/H	1		7125157-	A
520A	H343205000	Pedal, Sol	Pedal, L/H	1		7125157-	A
521	H349043038	Pedal Lastiği	Cover	1		5125001-7125156	A
	H343205800	Pedal Lastiği, Sağ	Cover, R/H	1		7125157-	A
521A	H343205700	Pedal Lastiği, Sol	Cover, L/H	1		7125157-	A
522	H349043039	Civata	Screw	4	M10x16	5125001-7125156	
	N01/5870806	Civata	Screw	4	M10x25	7125157-	
522B	N03/1360010	Pul	Washer, Spr.	4	M10	7125157-	
	• H349043040	Tamir Takımı	Seal Kit	4	K		

3' LÜ ÖNCELİK SELENOİD VALFI 3-SOLENOID PRIORITY VALVE



SN: 6125001-7125076

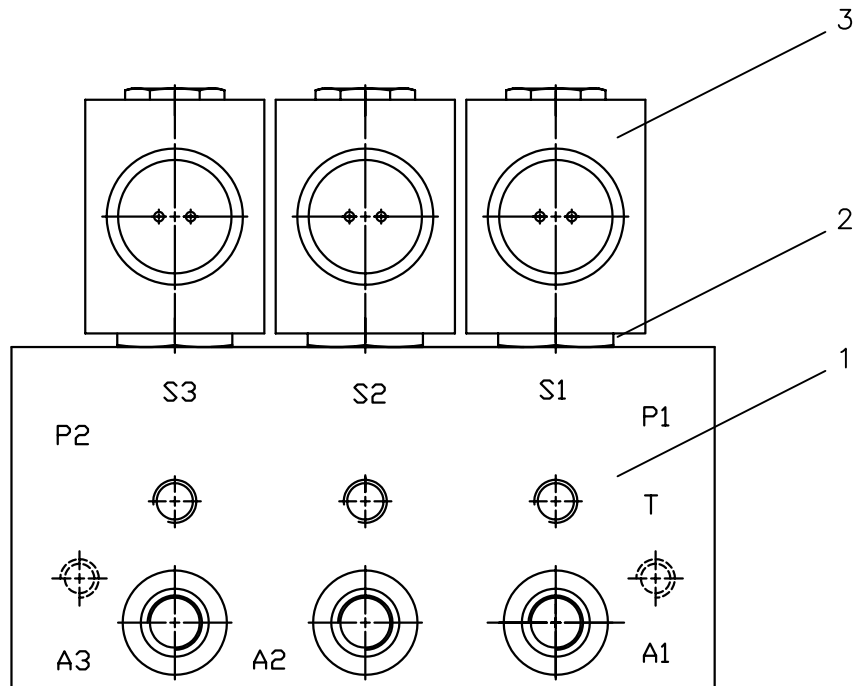


SN: 7125077-

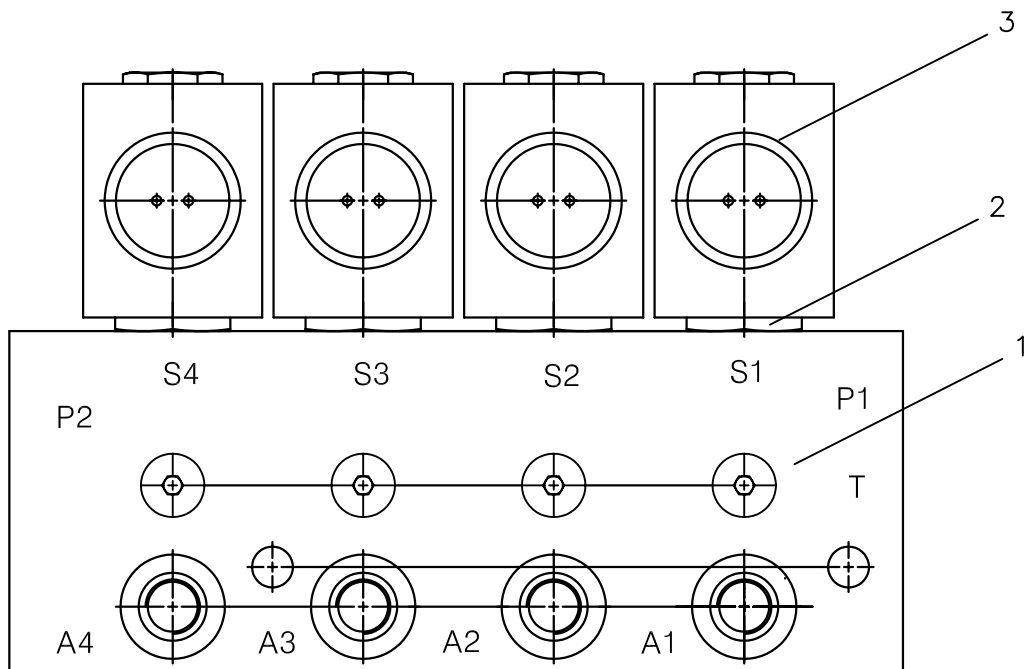
3'LÜ ÖNCELİK SELENOİD VALFİ
3-SOLENOID PRIORITY VALVE

No	Parça No	Adı		Adet	Not	Seri No	Y. Kul. S.K.
No	Part No		Description	Q'ty	Note	Serial No	ICA S.C.
	H253201500	3'lü Selenoid Valf	3-Solenoid Valve			6125001-7125076	D
	H253201501	3'lü Selenoid Valf	3-Solenoid Valve			7125077-	D
1	H259041001	Gövde	Body	1		6125001-7125076	D
	H259041001a	Gövde	Body	1		7125077-	D
2	H349040002	Selenoid	Solenoid V/V	3		6125001-7125076	
	H349040002	Selenoid	Solenoid V/V	1		7125077-	
3	H349040003	Bobin	Coil	3		6125001-7125076	
	H349040003	Bobin	Coil	1		7125077-	

3' LÜ SELENOİD VALF 3-SOLENOID VALVE



SN: 6125001-7125076

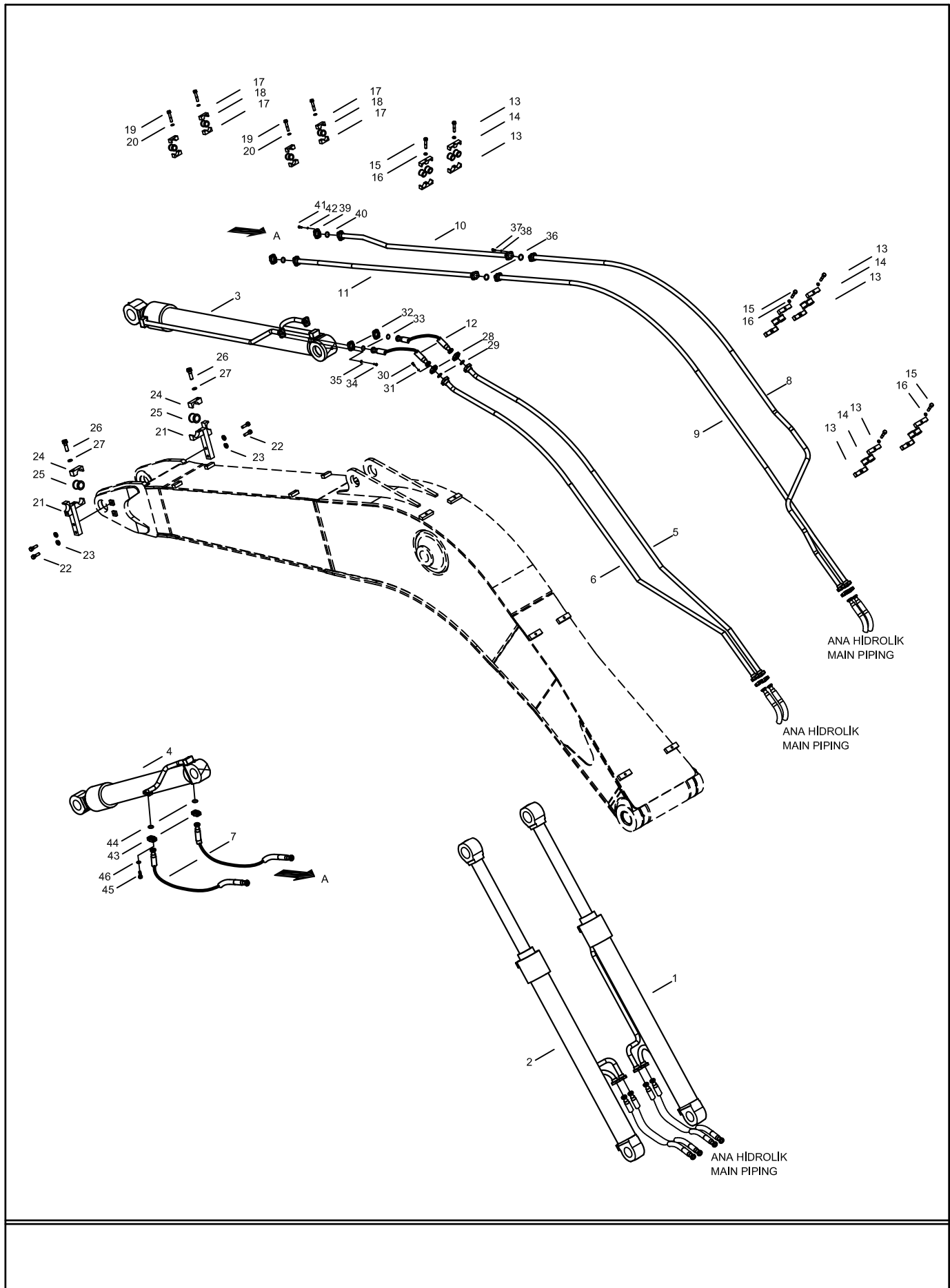


SN: 7125077-

3' LÜ SELENOİD VALF
3-SOLENOID VALVE

No	Parça No	Adı	Description	Adet	Not	Seri No	Y. Kul. S.K.
No	Part No			Q'ty	Note	Serial No	ICA S.C.
	H343201500	3'lü Selenoid Valf	3-Solenoid Valve				
1	H349041010	Gövde	Body	1		6125001-7125076	D
	H349041010a	Gövde	Body	1		7125077-	D
2	H349040002	Selenoid	Solenoid V/V	3		6125001-7125076	
	H349040002	Selenoid	Solenoid V/V	4		7125077-	
3	H349040003	Bobin	Coil	3		6125001-7125076	
	H349040003	Bobin	Coil	4		7125077-	

ATAÇMAN TESİSATI ATTACHMENT PIPING



ATAÇMAN TESİSATI ATTACHMENT PIPING

No	Parça No	Adı	Adet	Not	Seri No	Y. Kul. S.K.	
No	Part No	Description	Q'ty	Note	Serial No	ICA S.C.	
1	H253300100	Ana Bom Sil., Sağ	Cyl., RH, Boom	1	5125001-6125002	D	
	H253300101	Ana Bom Sil., Sağ	Cyl., RH, Boom	1	6125003-	D	
2	H253300200	Ana Bom Sil., Sol	Cyl., LH, Boom	1	5125001-6125002	D	
	H253300201	Ana Bom Sil., Sol	Cyl., LH, Boom	1	6125003-	D	
3	H253300300	Uç Bom Silindiri	Cylinder, Arm	1	5125001-6125002	D	
	H253300301	Uç Bom Silindiri	Cylinder, Arm	1	6125003-	D	
4	H253300400	Kepçe Silindiri	Cylinder, Bucket	1	5125001-6125002	D	
	H253300401	Kepçe Silindiri	Cylinder, Bucket	1	6125003-9125006	D	
	H253300402	Kepçe Silindiri	Cylinder, Bucket	1	*	9125007-	D
5	H253300500	Boru KM, Arm, Piston	Pipe WA, Arm, Piston	1	5125001-6125002	D	
	H253300501	Boru KM, Arm, Piston	Pipe WA, Arm, Piston	1	6125003-	D	
6	H253300700	Boru KM, Arm, Mil	Pipe WA, Arm, Rod	1	5125001-6125002	D	
	H253300701	Boru KM, Arm, Mil	Pipe WA, Arm, Rod	1	6125003-	D	
7	H253300901	B.H.H.	Hose Ass'y	2	**	5125001-9125006	
	H253300900	B.H.H.	Hose Ass'y	2	***	9125007-	
8	H253301000	Boru KM, Kepçe, Mil	Pipe WA, Buc., Rod	1	5125001-6125002	D	
	H253301001	Boru KM, Kepçe, Mil	Pipe WA, Buc., Rod	1	6125003-	D	
9	H253301200	Boru KM, Kepçe, Pist.	Pipe WA, Buc., Piston	1	5125001-6125002	D	
	H253301201	Boru KM, Kepçe, Pist.	Pipe WA, Buc., Piston	1	6125003-	D	
10	H253301400	Boru KM, Kepçe, Mil	Pipe WA, Buc., Rod	1	5125001-9125006	D	
	H253301401	Boru KM, Kepçe, Mil	Pipe WA, Buc., Rod	1	*	9125007-	D
11	H253301600	Boru KM, Kepçe, Pist.	Pipe WA, Buc., Piston	1	5125001-9125006	D	
	H253301601	Boru KM, Kepçe, Pist.	Pipe WA, Buc., Piston	1	*	9125007-	D
12	H343301300	B.H.H.	Hose Ass'y	2			
13	H343003200	Kelepçe	Clamp	12			
14	H340102500	Lastik	Rubber	6			
15	N01/0381310	A.K.B. Civata	Bolt, Hex.	6	M16x85		
16	N03/1310014	Yaylı Rondela	Washer, Spr.	6	M16		
17	H343301500	Kelepçe	Clamp	8			
18	H340102500	Lastik	Rubber	4			
19	N01/0381310	A.K.B. Civata	Bolt, Hex.	4	M16x85		
20	N03/1310014	Yaylı Rondela	Washer, Spr.	4	M16		
21	H253301800	Tutucu KM	Holder WA	2			
22	N01/0232858	A.K.B. Civata	Bolt, Hex.	4	M12x35		
23	N03/1310012	Yaylı Rondela	Washer, Spr.	4	M12		
24	H343301500	Kelepçe	Clamp	2			
25	H340102500	Lastik	Rubber	2			
26	N01/0381238	A.K.B. Civata	Bolt, Hex.	2	M16x55		
27	N03/1310014	Yaylı Rondela	Washer, Spr.	2	M16		
28	N16/J360104	Yarım Flanş	Split Flange	4			
29	N10/2003335	O-Ring	O-Ring	2			
30	N01/5890842	S.B. Civata	Bolt, Cyl. Hd.	8	M10x40		
31	N03/1360010	Yaylı Rondela	Washer, Spr.	8	M10		

(*) H253301401 ve H253301601 ile birlikte H253300401 yerine kullanılabilir. / It can be used instead of H253300401 with H253301401 and H253501601.

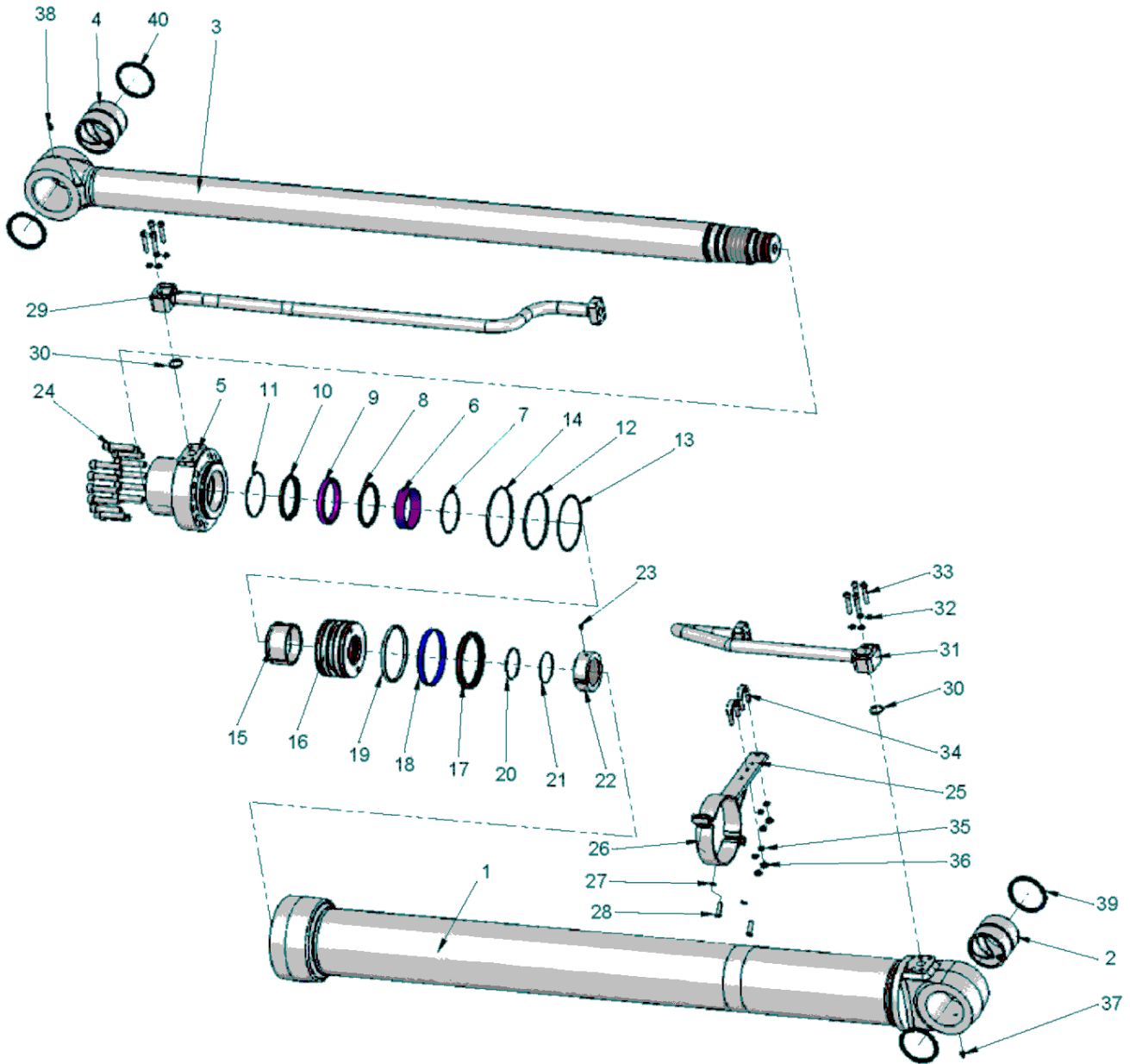
(**) H253300401 ile birlikte kullanılır. / Use with H253300401.

(***) H253300402 ile birlikte kullanılır. / Use with H253300402.

ATAÇMAN TESİSATI
ATTACHMENT PIPING

No	Parça No	Adı	Description	Adet	Not	Seri No	Y. Kul. S.K.
No	Part No			Q'ty	Note	Serial No	ICA S.C.
32	N16/J360104	Yarım Flanş	Split Flange	4			
33	N10/2003335	O-Ring	O-Ring	4			
34	N01/5890854	A.K.B. Cıvata	Bolt, Hex.	8	M10x45		
35	N03/1360010	Yaylı Rondela	Washer, Spr.	8	M10		
36	N10/2003335	O-Ring	O-Ring	2			
37	N01/5890854	S.B. Cıvata	Bolt, Cyl. Hd.	8	M10x45		
38	N03/1360010	Yaylı Rondela	Washer, Spr.	8	M10		
39	N16/J360104	Yarım Flanş	Split Flange	4			
40	N10/2003335	O-Ring	O-Ring	2			
41	N01/5890842	S.B. Cıvata	Bolt, Cyl. Hd.	8	M10x40		
42	N03/1360010	Yaylı Rondela	Washer, Spr.	8	M10		
43	N16/J360104	Yarım Flanş	Split Flange	4			
44	N10/2003335	O-Ring	O-Ring	2			
45	N01/5890830	S.B. Cıvata	Bolt, Cyl. Hd.	8	M10x35		
46	N03/1360010	Yaylı Rondela	Washer, Spr.	8	M10		

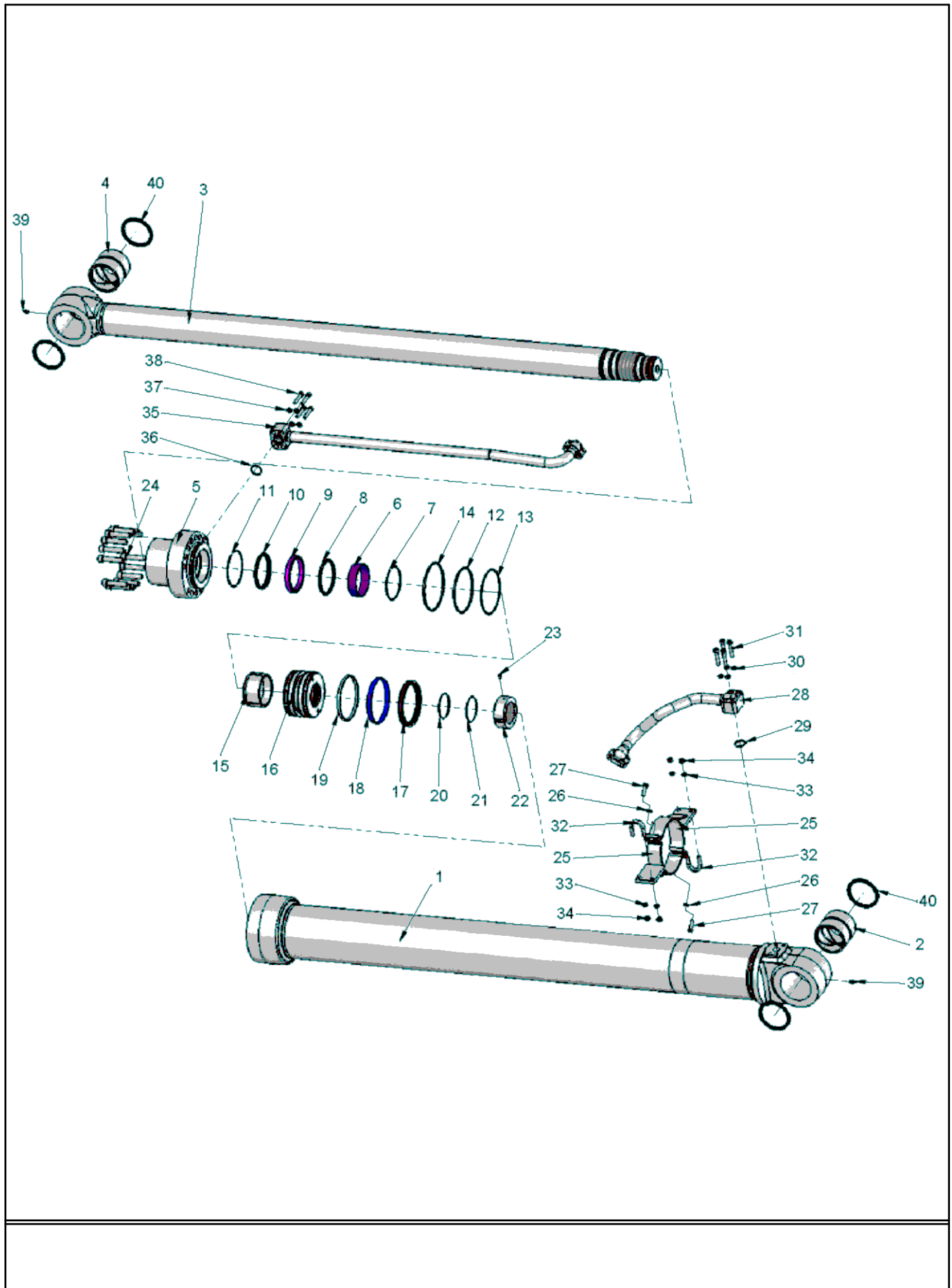
ANA BOM SİLİNDİRİ (SAĞ/SOL) BOOM CYLINDER (R/L)



ANA BOM SİLİNDİRİ (SAĞ/SOL)
BOOM CYLINDER (R/L)

No	Parça No	Adı	Description	Adet	Not	Seri No	Y. Kul. S.K.
No	Part No			Q'ty	Note	Serial No	ICA S.C.
1	H259038037	Silindir Borusu KM	Tube	1		5125001-6125002	D
	H259038037a	Silindir Borusu KM	Tube	1		6125003-	D
2	H259038002	Sert Burç	Bush	1			
3	H259038038	Silindir Mili KM	Rod Ass'y	1		5125001-6125002	D
	H259038038a	Silindir Mili KM	Rod Ass'y	1		6125003-	D
4	H259038039	Sert Burç	Bush	1			
5	H259038004	Silindir Boğazı	Rod Cover	1			
6	H259038005	Boğaz Burcu	DD-Bush	1			
7	H259038006	Segman	Retaining Ring	1			
8	H259038007	Boğaz Keçesi	Buffer Seal	1			
9	H259038008	Boğaz Keçesi	U-Packing	1			
10	H259038009	Toz Keçesi	Dust Wiper	1			
11	H259038010	Segman	Retaining Ring	1			
12	H259038011	O-Ring	O-Ring	1			
13	H259038012	Back Up Ring	Back Up Ring	1			
14	H259038013	O-Ring	O-Ring	1			
15	H259038014	Fren Bileziği	Cushion Ring	1			
16	H259038015	Piston	Piston	1			
17	H259038016	Piston Keçesi	Slipper Seal	1			
18	H259038017	Yataklama Bandı	Wear Ring	2			
19	H259038018	Toz Keçesi	Dust Ring	2			
20	H259038019	O-Ring	O-Ring	1			
21	H259038020	Back Up Ring	Back Up Ring	1			
22	H259038021	Kilitleme Somunu	Piston Nut	1			
23	H259038022	Vida, Setskur	Set, Screw	1			
24	H259038023	Silindirik Başlı Cıvata	Hex. Socket Bolt	14			
25	H259038040	Kelepçe KM, Tesizat	Pipe Band Ass'y-H	1			
26	H259038041	Kelepçe Bandı	Pipe Band	1			
27	H259038031	Yaylı Rondela	Spring Washer	2			
28	H259038042	A.K.B. Cıvata	Bolt, Hex.	2			
29	H259038043	Tesizat Borusu, Sağ	Pipe Ass'y, RH	1			
	H259038044	Tesizat Borusu, Sol	Pipe Ass'y, LH	1			
30	H259038045	O-Ring	O-Ring	2			
31	H259038046	Tesizat Borusu, Sağ	Pipe Ass'y, RH	1			
	H259038047	Tesizat Borusu, Sol	Pipe Ass'y, LH	1			
32	H259038025	Yaylı Rondela	Spring Washer	8			
33	H259038029	Silindirik Başlı Cıvata	Hex. Socket Bolt	8			
34	H259038030	U-Saplama	U-Bolt	2			
35	H259038031	Yaylı Rondela	Spring Washer	4			
36	H259038032	A.K.B. Somun	Hex. Nut	4			
37	H259038033	Gresörlük	Nipple	1			
38	H259038048	Gresörlük	Nipple	1			
39	H259038034	Toz Keçesi	Pin Wiper	2			
40	H259038049	Toz Keçesi	Pin Wiper	2			
•	H259038050	Tamir Takımı	Seal KIT	1			

KEPÇE SİLİNDİRİ BUCKET CYLINDER



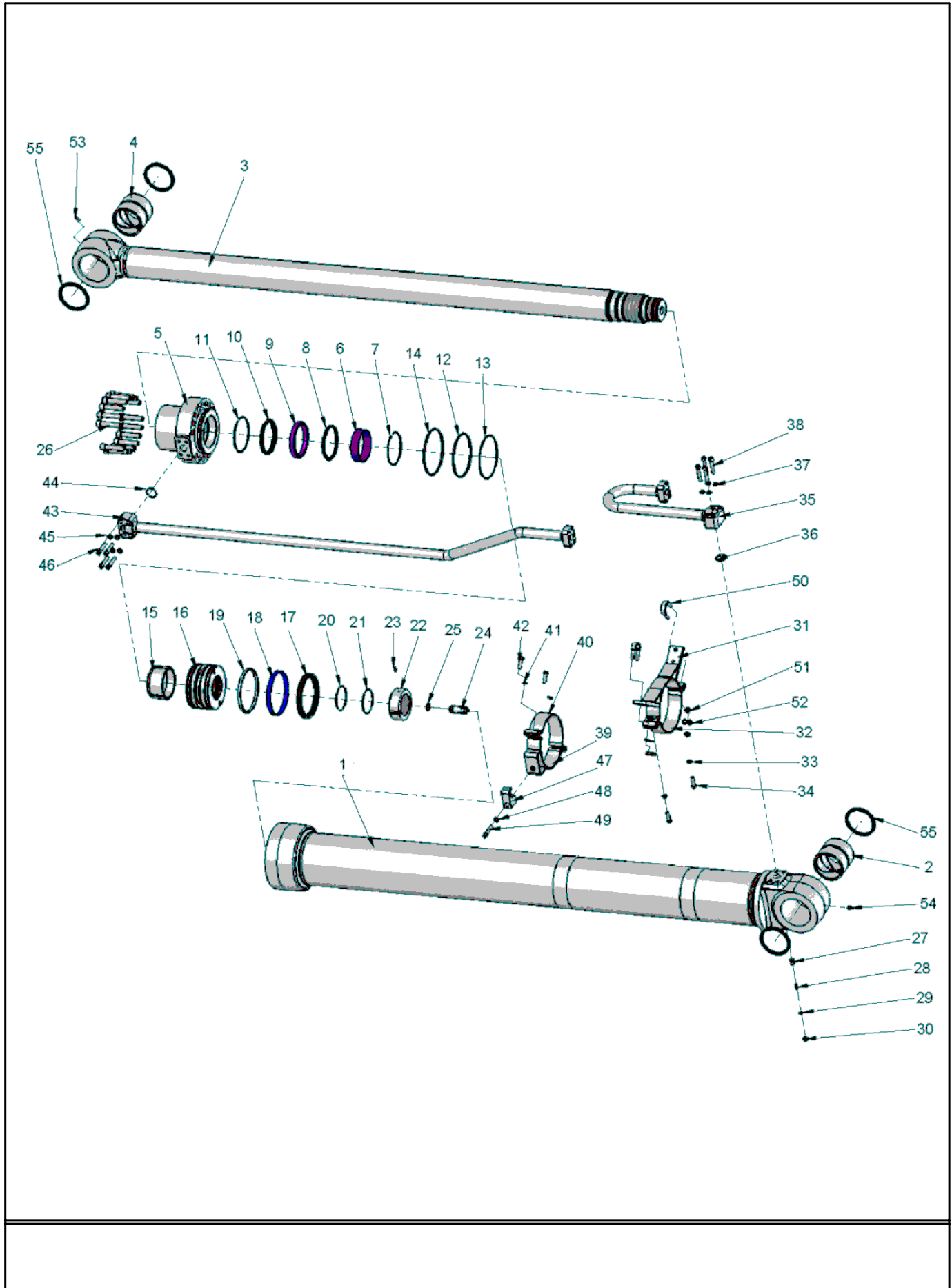
KEPÇE SİLİNDİRİ BUCKET CYLINDER

No	Parça No	Adı	Description	Adet	Not	Seri No	Y. Kul. S.K.
No	Part No			Q'ty	Note	Serial No	ICA S.C.
1	H259038001	Silindir Borusu KM	Tube	1		5125001-6125002	D
	H259038001a	Silindir Borusu KM	Tube	1		6125003-	D
2	H259038002	Sert Burç	Bush	1			
3	H259038003	Silindir Mili KM	Rod Ass'y	1		5125001-6125002	D
	H259038003a	Silindir Mili KM	Rod Ass'y	1		6125003-	D
4	H259038002	Sert Burç	Bush	1			
5	H259038004	Silindir Boğazı	Rod Cover	1			
6	H259038005	Boğaz Burcu	DD-Bush	1			
7	H259038006	Segman	Retaining Ring	1			
8	H259038007	Boğaz Keçesi	Buffer Seal	1			
9	H259038008	Boğaz Keçesi	U-Packing	1			
10	H259038009	Toz Keçesi	Dust Wiper	1			
11	H259038010	Segman	Retaining Ring	1			
12	H259038011	O-Ring	O-Ring	1			
13	H259038012	Back Up Ring	Back Up Ring	1			
14	H259038013	O-Ring	O-Ring	1			
15	H259038014	Fren Bileziği	Cushion Ring	1			
16	H259038015	Piston	Piston	1			
17	H259038016	Piston Keçesi	Slipper Seal	1			
18	H259038017	Yataklama Bandı	Wear Ring	2			
19	H259038018	Toz Keçesi	Dust Ring	2			
20	H259038019	O-Ring	O-Ring	1			
21	H259038020	Back Up Ring	Back Up Ring	1			
22	H259038021	Kilitleme Somunu	Piston Nut	1			
23	H259038022	Vida, Setskur	Set, Screw	1			
24	H259038023	Silindirik Başlı Cıvata	Hex. Socket Bolt	14			
25	H259038024	Kelepçe KM, Tesiat	Pipe Band Ass'y	1			
26	H259038025	Yaylı Rondela	Spring Washer	2			
27	H259038026	A.K.B. Cıvata	Bolt, Hex.	2			
28	H259038028	Tesiat Borusu	Pipe Ass'y, H	1		5125001-6125002	D
	H259038028a	Tesiat Borusu	Pipe Ass'y, H	1		6125003-9125006	D
	H259038028b	Tesiat Borusu	Pipe Ass'y, H	1		9125007-	D
29	H259038027	O-Ring	O-Ring	2			
30	H259038025	Yaylı Rondela	Spring Washer	4			
31	H259038029	Silindirik Başlı Cıvata	Hex. Socket Bolt	8			
32	H259038030	U-Saplama	U-Bolt	2			
33	H259038031	Yaylı Rondela	Spring Washer	4			
34	H259038032	A.K.B. Somun	Hex. Nut	4			
35	H259038035	Tesiat Borusu	Pipe Ass'y, R	1		5125001-6125002	D
	H259038035a	Tesiat Borusu	Pipe Ass'y, R	1		6125003-9125006	D
	H259038035b	Tesiat Borusu	Pipe Ass'y, R	1		9125007-	D
36	H259038027	O-Ring	O-Ring	1			
37	H259038025	Yaylı Rondela	Spring Washer	4			
38	H259038029	Silindirik Başlı Cıvata	Hex. Socket Bolt	4			

KEPÇE SİLİNDİRİ
BUCKET CYLINDER

No	Parça No	Adı	Adet	Not	Seri No	Y. Kul. S.K.
No	Part No	Description	Q'ty	Note	Serial No	ICA S.C.
39	H259038033	Gresörlük	Nipple	2		
40	H259038034	Toz Keçesi	Pin Wiper	4		
•	H259038036	Tamir Takımı	Seal KIT	1		

UÇ BOM SİLİNDİRİ ARM CYLINDER



UÇ BOM SİLİNDİRİ ARM CYLINDER

No	Parça No	Adı	Adet	Not	Seri No	Y. Kul. S.K.
No	Part No	Description	Q'ty	Note	Serial No	ICA S.C.
1	H259038051	Silindir Borusu KM	1		5125001-6125002	D
	H259038051a	Silindir Borusu KM	1		6125003-	D
2	H259038039	Sert Burç	1			
3	H259038052	Silindir Mili KM	1		5125001-6125002	D
	H259038052a	Silindir Mili KM	1		6125003-	D
4	H259038039	Sert Burç	1			
5	H259038053	Silindir Boğazı	1		5125001-6125002	D
	H259038053a	Silindir Boğazı	1		6125003-	D
6	H259038054	Boğaz Burcu	1		5125001-6125002	D
	H259038054a	Boğaz Burcu	1		6125003-	D
7	H259038010a	Segman	1		5125001-6125002	D
	H259038010	Segman	1		6125003-	D
8	H259038055	Boğaz Keçesi	1		5125001-6125002	D
	H259038055a	Boğaz Keçesi	1		6125003-	D
9	H259038056	Boğaz Keçesi	1		5125001-6125002	D
	H259038056a	Boğaz Keçesi	1		6125003-	D
10	H259038057	Toz Keçesi	1		5125001-6125002	D
	H259038057a	Toz Keçesi	1		6125003-	D
11	H259038058	Segman	1		5125001-6125002	D
	H259038058a	Segman	1		6125003-	D
12	H259038059	O-Ring	1		5125001-6125002	D
	H259038059a	O-Ring	1		6125003-	D
13	H259038060	Back Up Ring	1		5125001-6125002	D
	H259038060a	Back Up Ring	1		6125003-	D
14	H259038061	O-Ring	1		5125001-6125002	D
	H259038061a	O-Ring	1		6125003-	D
15	H259038062	Fren Bileziği	1		5125001-6125002	D
	H259038062a	Fren Bileziği	1		6125003-	D
16	H259038063	Piston	1		5125001-6125002	D
	H259038063a	Piston	1		6125003-	D
17	H259038064	Piston Keçesi	1		5125001-6125002	D
	H259038064a	Piston Keçesi	1		6125003-	D
18	H259038065	Yataklama Bandı	2		5125001-6125002	D
	H259038065a	Yataklama Bandı	2		6125003-	D
19	H259038066	Toz Keçesi	2		5125001-6125002	D
	H259038066a	Toz Keçesi	2		6125003-	D
20	H259038067	O-Ring	1		5125001-6125002	D
	H259038067a	O-Ring	1		6125003-	D
21	H259038068	Back Up Ring	1		5125001-6125002	D
	H259038068a	Back Up Ring	1		6125003-	D
22	H259038069	Kilitleme Somunu	1		5125001-6125002	D
	H259038069a	Kilitleme Somunu	1		6125003-	D
23	H259038022	Vida, Setskur	1			

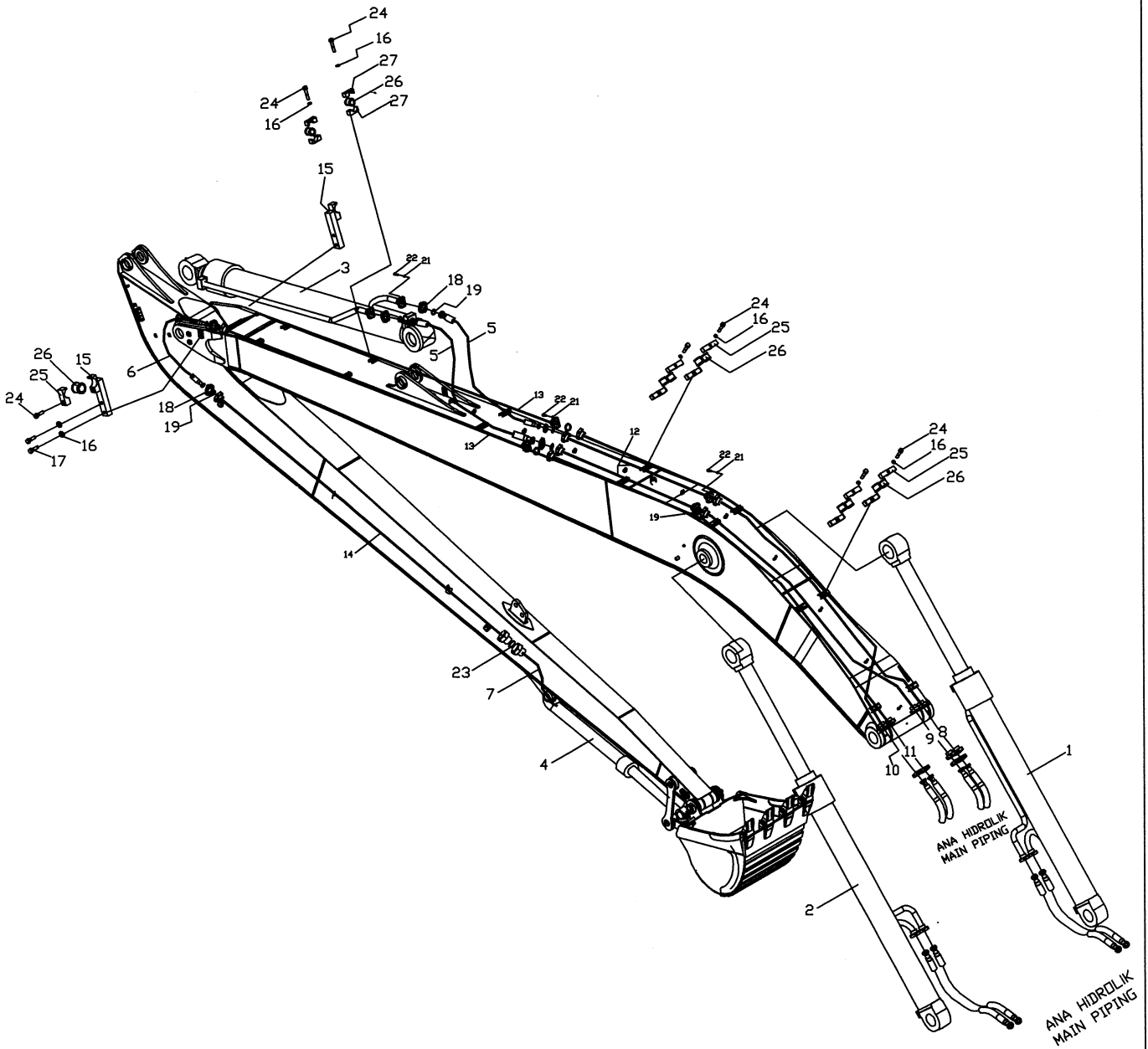
UÇ BOM SİLİNDİRİ ARM CYLINDER

No	Parça No	Adı	Adet	Not	Seri No	Y. Kul. S.K.
No	Part No	Description	Q'ty	Note	Serial No	ICA S.C.
24	H259038070	Frenleme Pimi	Cushion Plunger	1	5125001-6125002	D
	H259038070a	Frenleme Pimi	Cushion Plunger	1	6125003-	D
25	H259038071	Segman	Stop Ring	1	5125001-6125002	D
	H259038071a	Segman	Stop Ring	1	6125003-	D
26	H259038072	Silindirik Başlı Cıvata	Hex. Socket Bolt	16	5125001-6125002	D
	H259038072a	Silindirik Başlı Cıvata	Hex. Socket Bolt	16	6125003-	D
27	H259038073	Çek Valf	Check Valve	1	5125001-6125002	D
	H259038073a	Çek Valf	Check Valve	1	6125003-	D
28	H259038074	Yay	Spring	1	5125001-6125002	D
	H259038074a	Yay	Spring	1	6125003-	D
29	H259038075	Destek, Yay	Spring Support	1	5125001-6125002	D
	H259038075a	Destek, Yay	Spring Support	1	6125003-	D
30	H259038076	Tapa	Hex. Socket Plug	1	5125001-6125002	D
	H259038076a	Tapa	Hex. Socket Plug	1	6125003-	D
31	H259038077	Kelepçe KM, Tesisat	Pipe Band Ass'y	1	5125001-6125002	D
	H259038077a	Kelepçe KM, Tesisat	Pipe Band Ass'y	1	6125003-	D
32	H259038078	Kelepçe Bandı	Pipe Band	1	5125001-6125002	D
	H259038078a	Kelepçe Bandı	Pipe Band	1	6125003-	D
33	H259038025	Yaylı Rondela	Spring Washer	2		
34	H259038026	A.K.B. Cıvata	Bolt, Hex.	2		
35	H259038079	Tesisat Borusu	Pipe Ass'y, H	1	5125001-6125002	D
	H259038079a	Tesisat Borusu	Pipe Ass'y, H	1	6125003-	D
36	H259038045	O-Ring	O-Ring	2		
37	H259038025	Yaylı Rondela	Spring Washer	4		
38	H259038029	Silindirik Başlı Cıvata	Hex. Socket Bolt	4		
39	H259038080	Kelepçe KM, Tesisat	Pipe Band Ass'y	1	5125001-6125002	D
	H259038080a	Kelepçe KM, Tesisat	Pipe Band Ass'y	1	6125003-	D
40	H259038078	Kelepçe Bandı	Pipe Band	1	5125001-6125002	D
	H259038078a	Kelepçe Bandı	Pipe Band	1	6125003-	D
41	H259038025	Yaylı Rondela	Spring Washer	2		
42	H259038026	A.K.B. Cıvata	Bolt, Hex.	2		
43	H259038081	Tesisat Borusu	Pipe Ass'y, R	1	5125001-6125002	D
	H259038081a	Tesisat Borusu	Pipe Ass'y, R	1	6125003-	D
44	H259038027	O-Ring	O-Ring	1		
45	H259038025	Yaylı Rondela	Spring Washer	4		
46	H259038029	Silindirik Başlı Cıvata	Hex. Socket Bolt	4		
47	H259038082	Tesisat Kelepçesi	Pipe Clamp	1	5125001-6125002	D
	H259038082a	Tesisat Kelepçesi	Pipe Clamp	1	6125003-	D
48	H259038083	Yaylı Rondela	Spring Washer	1	5125001-6125002	D
	H259038083a	Yaylı Rondela	Spring Washer	1	6125003-	D
49	H259038084	A.K.B. Cıvata	Bolt, Hex.	1	5125001-6125002	D
	H259038084a	A.K.B. Cıvata	Bolt, Hex.	1	6125003-	D
50	H259038030	U-Saplama	U-Bolt	2		
51	H259038031	Yaylı Rondela	Spring Washer	4		

UÇ BOM SİLİNDİRİ
ARM CYLINDER

No	Parça No	Adı	Adet	Not	Seri No	Y. Kul. S.K.
No	Part No	Description	Q'ty	Note	Serial No	ICA S.C.
52	H259038085	A.K.B. Somun	Hex. Nut	4		
53	H259038033	Gresörlük	Nipple	1		
54	H259038048	Gresörlük	Nipple	1		
55	H259038049	Toz Keçesi	Pin Wiper	4		
•	H259038086	Tamir Takımı	Seal KIT	1	5125001-6125002	D
	H259038086a	Tamir Takımı	Seal KIT	1	6125003-	D

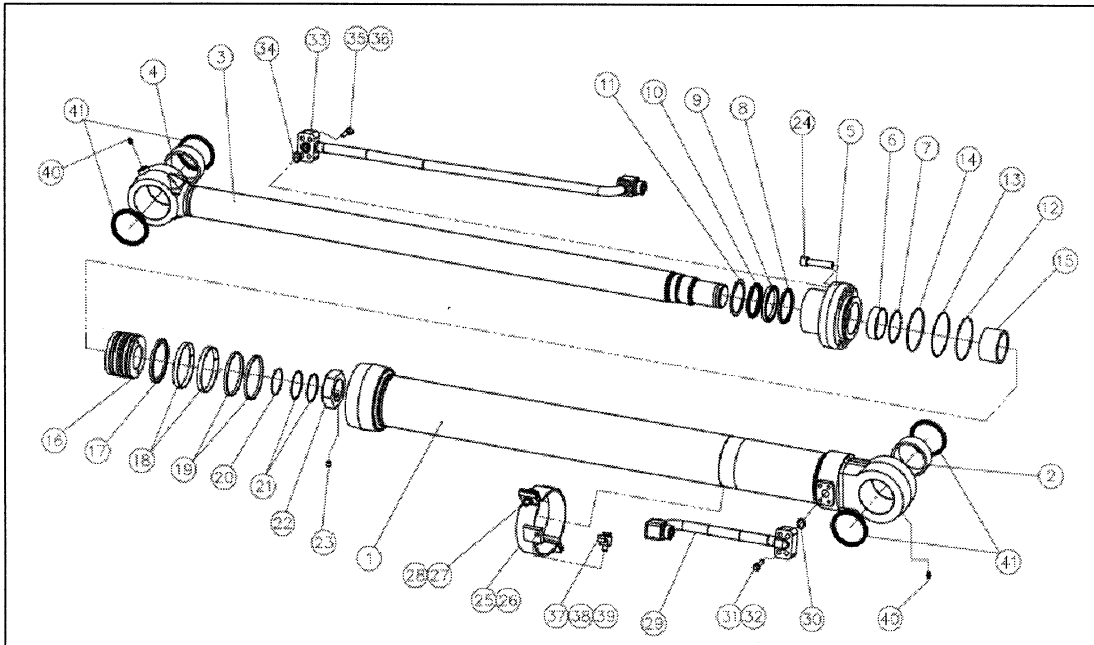
ATAÇMAN TESİSATI-(OP)-LR ATTACHMENT PIPING-(OP)-LR



ATAÇMAN TESİSATI-(OP)-LR
ATTACHMENT PIPING-(OP)-LR

No	Parça No	Adı	Description	Adet	Not	Seri No	Y. Kul. S.K.
No	Part No			Q'ty	Note	Serial No	ICA S.C.
1	H253300101	ANA BOM SİL, SAĞ	BOOM CYLINDER, R	1			
2	H253300201	ANA BOM SİL, SOL	BOOM CYLINDER, L	1			
3	H253300301	UÇ BOM SİLİNDİRİ	ARM	1			
4	H203300400	KEPÇE SİLİNDİRİ	CYLINDER, BUCKET	1			
5	H343301300	B.H.H	HOSE ASS'Y	2			
6	H343301200	B.H.H	HOSE ASS'Y	2			
7	99N174724	HORTUM KOMP.	HOSE ASS'Y	2			
8	H253320100	BORU K.M	PIPE, W.A	1		9125512, 9125514	
	H253320101	BORU K.M	PIPE, W.A	1			
9	H253320300	BORU K.M	PIPE, W.A	1		9125512, 9125514	
	H253320301	BORU K.M	PIPE, W.A	1			
10	H253320500	BORU K.M	PIPE, W.A	1		9125512, 9125514	
	H253320501	BORU K.M	PIPE, W.A	1			
11	H253320700	BORU K.M	PIPE, W.A	1		9125512, 9125514	
	H253320701	BORU K.M	PIPE, W.A	1			
12	H253320900	BORU K.M	PIPE, W.A	2		9125512, 9125514	
	H253320901	BORU K.M	PIPE, W.A	2			
13	H253321100	BORU K.M	PIPE, W.A	2		9125512, 9125514	
	H253321101	BORU K.M	PIPE, W.A	2			
14	H253321300	BORU K.M	PIPE, W.A	2			
15	H343321500	KELEPCE SACI K.M.	BRACKET, CLAMP	2		9125512, 9125514	
	H343321501	KELEPCE SACI K.M.	BRACKET, CLAMP	2			
16	N03/1310012	YAYLI RONDELA	WASHER, SPRING	4			
17	N01/0380866	A.K.B CİVATA	BOLT, HEX	4			
18	N16/J360104	YARIM FLANŞ	SPLIT FLANGE	23			
19	N10/2003335	O-RİNG	O-RING	21			
20	N01/5890854	S.B. CİVATA	BOLT, CYL HEAD	24	M10x45		
21	N03/1360010	YAYLI RONDELA	WASHER, SPRING	80	M10		
22	N01/5890842	S.B. CİVATA	BOLT, CYL HEAD	56	M10x40		
23	N10/2001817	O-RİNG	O-RING	4			
24	N01/0381310	A.K.B.CİVATA	BOLT, HEX	20	M16x85		
25	H343003200	KELEPÇE	CLAMP	12			
26	H340102500	LASTİK	RUBBER	32			
27	H343301500	KELEPÇE	CLAMP	12			
28	H253321500	KELEPCE SACI K.M.	BRACKET, CLAMP	3			

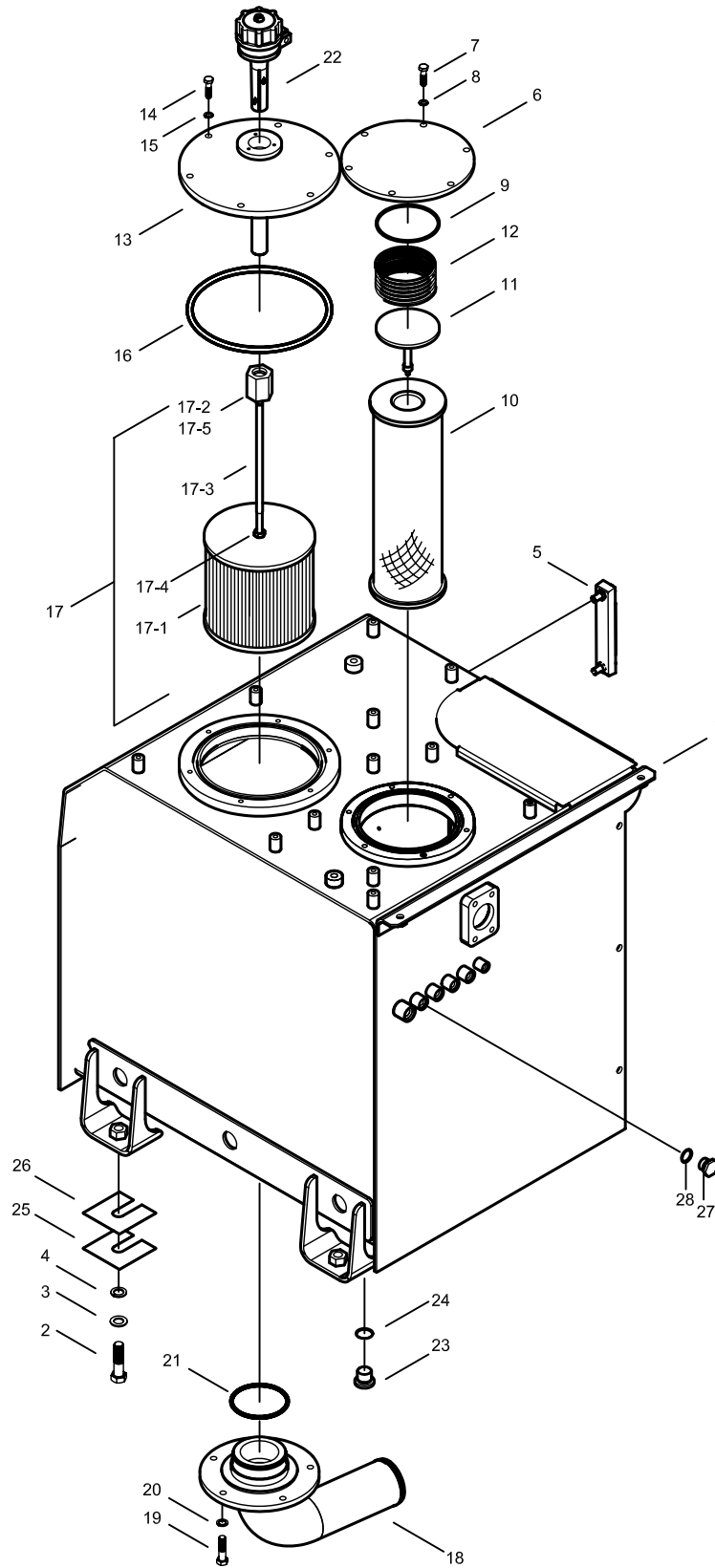
KEPÇE SİLİNDİRİ-(OP)-LR BUCKET CYLINDER-(OP)-LR



KEPÇE SİLİNDİRİ-(OP)-LR
BUCKET CYLINDER-(OP)-LR

No	Parça No	Adı	Description	Adet	Not	Seri No	Y. Kul. S.K.
No	Part No			Q'ty	Note	Serial No	ICA S.C.
1	H209038001	SİLİNDİR BORUSU K.M	TUBE ASS'Y	1			
2	H209038002	BURÇ	PIN BUSH	1			
3	H209038003	SİLİNDİR MİLİ K.M	ROD ASS'Y	1			
4	H209038002	BURÇ	PIN BUSH	1			
5	H209038004	SİLİNDİR BOĞAZI	ROD COVER	1			
6	H209038005	BOĞAZ BURCU	ROD BUSH	1			
7	H209038006	SEGMAN	RETAINING RING	1			
8	H209038007	BOĞAZ KEÇESİ	BUFFER SEAL	1			K2
9	H209038008	BOĞAZ KEÇESİ	U-PACKING	1			K2
10	H209038009	TOZ KEÇESİ	DUST WIPER	1			K2
11	H209038010	SEGMAN	RETAINING RING	1			
12	H209038011	O-RING	O-RING	1			K2
13	H209038012	BACK UP RING	BACK UP RING	1			K2
14	H209038013	O-RING	O-RING	1			K2
15	H209038014	YASTIKLAMA BİLEZİĞİ	CUSHION RING	1			
16	H209038015	PİSTON	PISTON	1			
17	H209038016	PİSTON KEÇESİ	PISTON SEAL	1			K2
18	H209038017	YATAKLAMA BANDI	WEAR RING	2			K2
19	H209038018	TOZ KEÇESİ	DUST RING	2			K2
20	H209038019	O-RING	O-RING	1			K2
21	H209038020	BACK UP RING	BACK UP RING	2			K2
22	H209038021	KİLİTLEME SOMUNU	PISTON NUT	1			
23	H209038022	VİDA, SETSKUR	SET SCREW	1			
24	H209038023	SİLİNDİRİK BAŞ. CİV	HEX SOCKET BOLT	10			
25	H209038024	KELEPÇE K.M, BORU	PIPE BAND ASS'Y	1			
26	H209038025	KELEPÇE K.M, BORU	PIPE BAND ASS'Y	1			
27	H209038026	YAYLI RONDELA	SPRING WASHER	2			
28	H209038027	A.B CİVATA	HEX BOLT	2			
29	H209038028	TESİSAT BORUSU	PIPE ASS'Y	1			
30	H209038029	O-RING	O-RING	1			K2
31	H209038030	YAYLI RONDELA	SPRING WASHER	4			
32	H209038031	SİLİNDİRİK BAŞ. CİV	HEX SOCKET BOLT	4			
33	H209038032	TESİSAT BORUSU	PIPE ASS'Y	1			
34	H209038033	O-RING	O-RING	1			K2
35	H209038030	YAYLI RONDELA	SPRING WASHER	4			
36	H209038031	SİLİNDİRİK BAŞ. CİV	HEX SOCKET BOLT	4			
37	H209038034	KELEPÇE	CLAMP	2			
38	H209038026	YAYLI RONDELA	SPRING WASHER	2			
39	H209038035	A.B CİVATA	HEX BOLT	2			
40	H209038036	GRES NİPELİ	GREASE NIPPLE	2			
41	H209038037	TOZ KEÇESİ	PIN WIPER	4			K2
.	H259038038	TAMİR TAKIMI	SEAL KIT	1			K2

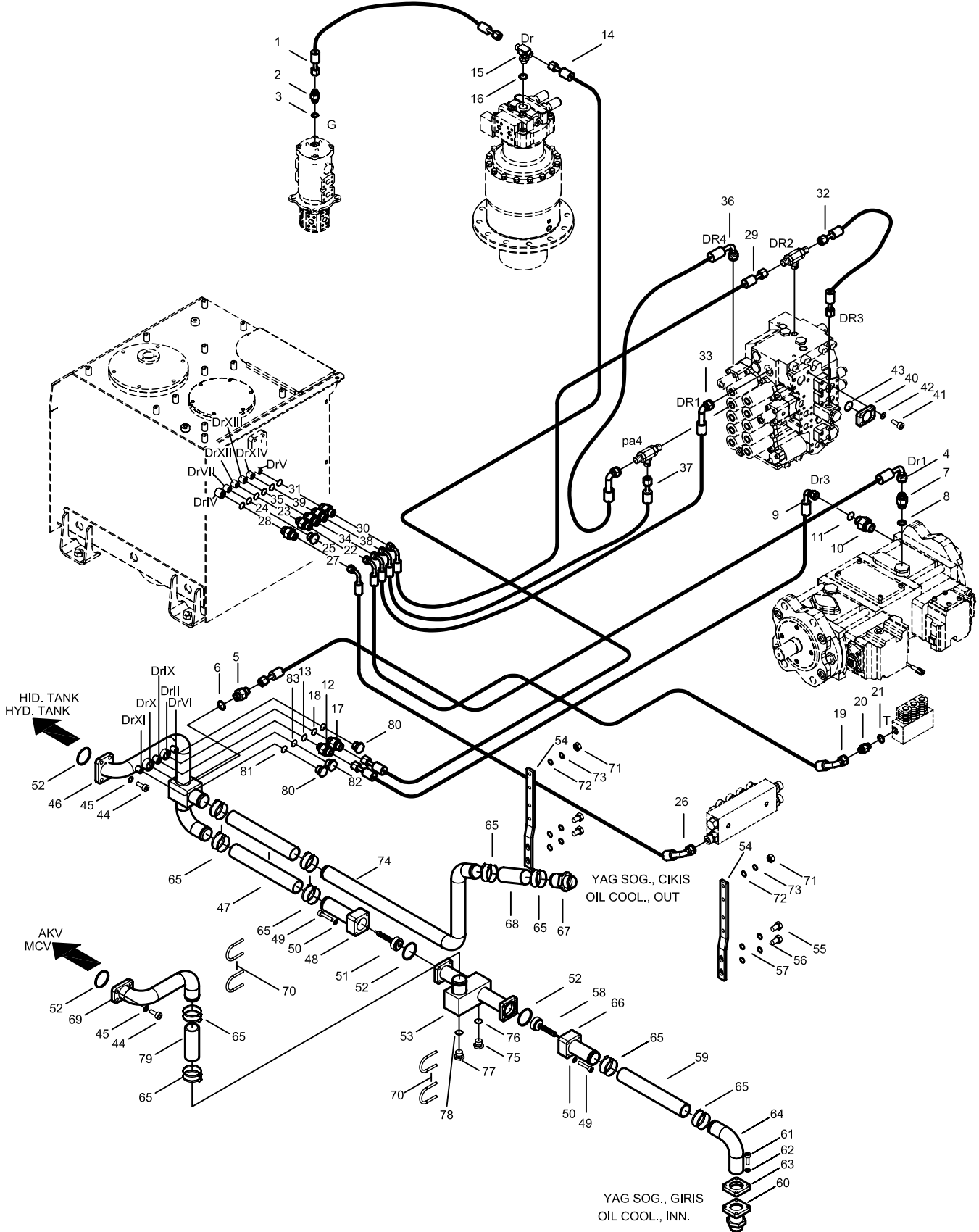
HİDROLİK DEPO MONTAJI HYDRAULIC TANK MOUNTING



HİDROLİK DEPO MONTAJI HYDRAULIC TANK MOUNTING

No	Parça No	Adı	Adet	Not	Seri No	Y. Kul. S.K.
No	Part No	Description	Q'ty	Note	Serial No	ICA S.C.
1	H253400200	Hidrolik Depo K.M.	1		5125001	D
	H253400201	Hidrolik Depo K.M.	1		5125001-6125002	D
	H253400202	Hidrolik Depo K.M.	1		6125003-	D
2	N01/0233578	A.K.B. Cıvata	4	M16x40		
3	N03/1310014	Yaylı Rondela	4	M16		
4	N03/0100027	Pul	4	M16		
5	H343403601	Hid. Yağ Seviye Gös.	1			
6	H343403700	Kapak, Dönüş Filt.	1			
7	N01/0232465	A.K.B. Cıvata	6	M10x25		
8	N03/1310011	Yaylı Rondela	6	M10		
9	N10/2018957	O-Ring	1			
10	H343403802	Dönüş Filt.	1			
11	H343403900	Çek Valf	1			
12	H343404000	Yay	1			
13	H343404100	Emiş Filt. Kapağı	1		5125001-6125002	D
	H253405400	Emiş Filt. Kapağı	1		6125003-	D
14	N01/0232462	A.K.B. Cıvata	6	M10x25		
15	N03/1310011	Yaylı Rondela	6	M10		
16	N10/2022957	O-Ring	1			
17	H343404601	Emiş Filtresi	1		5125001-6125002	D
	H253404400	Emiş Filtresi	1		6125003-	D
17_1	H349081001	Filtre Elemanı	1		5125001-6125002	D
	H259081001	Filtre Elemanı	1		6125003-	D
17_2	H349081002	Tutucu	1			
17_3	H349081007	Mesafe Çubuğu	1		5125001-6125002	D
	H259081003	Mesafe Çubuğu	1		6125003-	D
17_4	N02/3570206	Somun	1	M10		
17_5	H349081005	Yay	1			
18	H253401200	Emiş Borusu K.M.	1		5125001	D
	H253401201	Emiş Borusu K.M.	1		6125002-	D
19	N01/0232462	A.K.B. Cıvata	5	M10x25		
20	N03/1310011	Yaylı Rondela	5	M10		
21	N10/2016457	O-Ring	1			
22	H343405800	Havalandırma Kap.	1			
23	N16/X120002	Boşaltma Tapası	1			
24	N10/2002234	O-Ring	1			
25	H343409500	Şim	4	1mm		
26	H343410400	Şim	4	2mm		
27	N16/X120001	Tapa	1			
28	N10/2001323	O-Ring	1			

DÖNÜŞ VE SIZINTI HATTI MONTAJI UPPER DRAIN AND RETURN PIPING MOUNTING



NOT: Bu görüntü 5125001-6125003 seri nolu makineler için geçerlidir.
NOTE: This view is valid for 5125001-6125003 serial number machines.

DÖNÜŞ VE SIZINTI HATTI MONTAJI
UPPER DRAIN AND RETURN PIPING MOUNTING

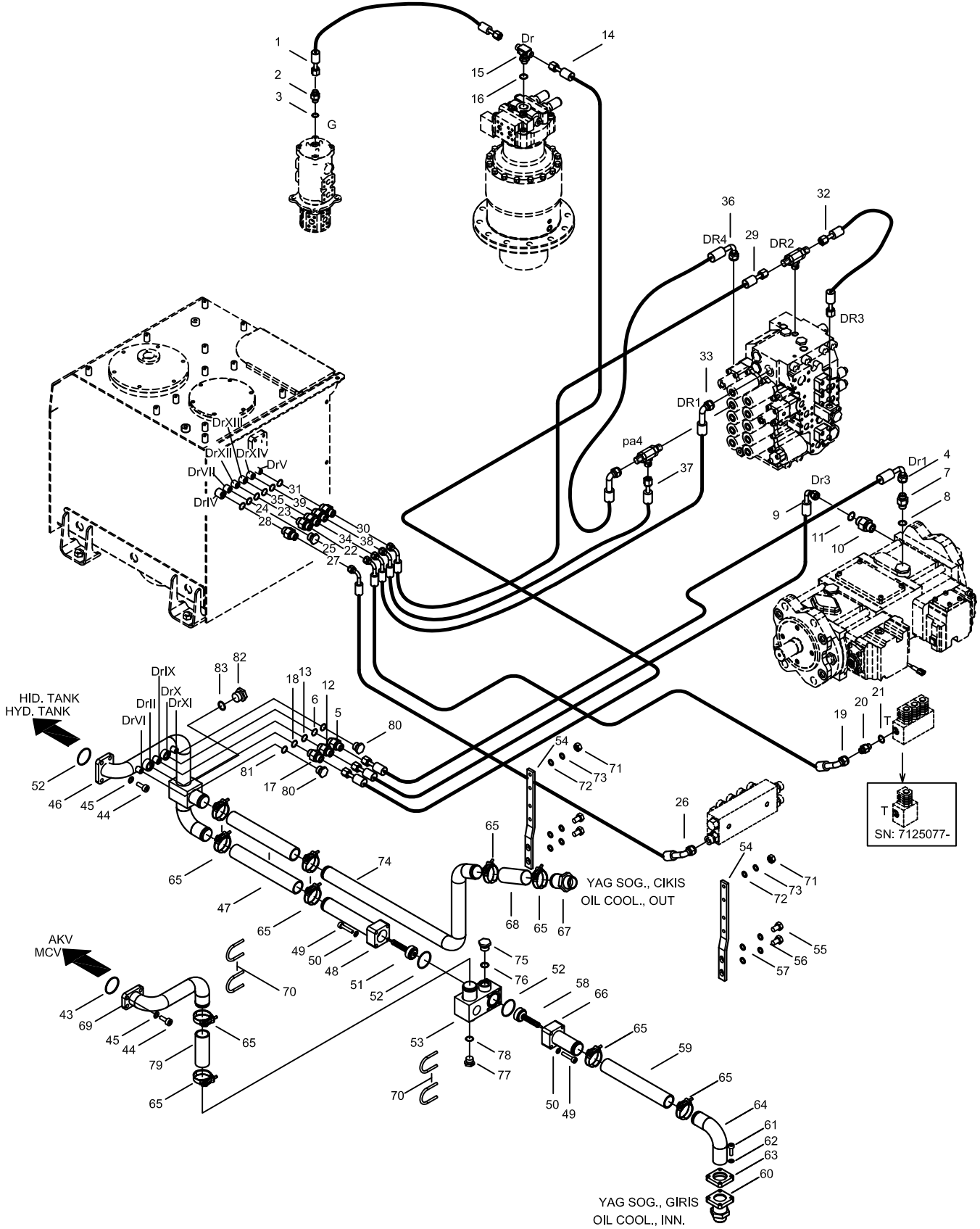
No	Parça No	Adı	Description	Adet	Not	Seri No	Y. Kul. S.K.
No	Part No			Q'ty	Note	Serial No	ICA S.C.
1	99N093216	Hortum Kompleksi	Hose Ass'y	1			
2	N16/K114343	Rekor	Connector	1			
3	N10/2001723	O-Ring	O-Ring	1			
4	99Q093247	Hortum Kompleksi	Hose Ass'y	1			
5	N16/K114344	Rekor	Connector	1			
6	N10/2002436	O-Ring	O-Ring	1			
7	N16/K114344	Rekor	Connector	1			
8	N10/2002436	O-Ring	O-Ring	1			
9	99Q092247	Hortum Kompleksi	Hose Ass'y	1			
10	N16/K114357	Rekor	Connector	1			
11	N10/2001323	O-Ring	O-Ring	1			
12	N16/K114357	Rekor	Connector	1			
13	N10/2001323	O-Ring	O-Ring	1			
14	99N093247	Hortum Kompleksi	Hose Ass'y	1			
15	N16/R060606	A.T. Rekor	Tee	1			
16	N10/2001723	O-Ring	O-Ring	1			
17	N16/K214462	Rekor	Connector	1			
18	N10/2001921	O-Ring	O-Ring	1			
19	99V092253	Hortum Kompleksi	Hose Ass'y	1			
20	N16/K114342	Rekor	Connector	1			
21	N10/2001323	O-Ring	O-Ring	1			
22	N16/K114342	Rekor	Connector	1			
23	N10/2001323	O-Ring	O-Ring	1			
24	N16/X120001	Tapa	Plug	1			
25	N10/2001323	O-Ring	O-Ring	1			
26	99V093272	Hortum Kompleksi	Hose Ass'y	1			
27	N16/K114343	Rekor	Connector	1			
28	N10/2001723	O-Ring	O-Ring	1			
29	97Q091240	Hortum Kompleksi	Hose Ass'y	1			
30	N16/K114341	Rekor	Connector	1			
31	N10/2001024	O-Ring	O-Ring	1			
32	97N091206	Hortum Kompleksi	Hose Ass'y	1			
33	99S092240	Hortum Kompleksi	Hose Ass'y	1			
34	N16/K114342	Rekor	Connector	1			
35	N10/2001323	O-Ring	O-Ring	1			
36	97S091233	Hortum Kompleksi	Hose Ass'y	1			
37	99Q092237	Hortum Kompleksi	Hose Ass'y	1			
38	N16/K114342	Rekor	Connector	1			
39	N10/2001323	O-Ring	O-Ring	1			
40	H253602600	Kapak	Cover	1		5125001-6125003	
41	N01/5891166	S.B. Civata	Bolt, Cyl. Hd.	4	M12x30	5125001-6125003	
42	N03/1360011	Yaylı Rondela	Washer, Spr.	4	M12	5125001-6125003	
43	N10/2004735	O-Ring	O-Ring	1		5125001-6125003	
44	N01/5891166	S.B. Civata	Bolt, Cyl. Hd.	8	M12x30		

DÖNÜŞ VE SIZINTI HATTI MONTAJI
UPPER DRAIN AND RETURN PIPING MOUNTING

No	Parça No	Adı	Adet	Not	Seri No	Y. Kul. S.K.
No	Part No	Description	Q'ty	Note	Serial No	ICA S.C.
45	N03/1360011	Yaylı Rondela	Washer, Spr.	8	M12	
46	H253600100	Boru, KM	Pipe, WA	1		
47	H253603000	Hortum, Dönüş Hattı	Hose, Return Line	2		
48	H253600800	Flanş, KM	Flange, WA	1	*	5125001-6125007 D
49	N01/5890890	S.B. Cıvata	Bolt, Cyl. Hd.	8	M10x60	
50	N03/1360010	Yaylı Rondela	Washer, Spr.	8	M10	
51	H233601300	Çek Valf, ByPass	Check Valve, ByPass	1		
52	N10/2005636	O-Ring	O-Ring	3		
53	H253601000	Boru, KM	Pipe, WA	1	*	5125001-6125007 D
54	H253602500	Tutucu Sac	Support	2		
55	N01/0233578	A.K.B. Cıvata	Bolt, Hex.	4	M16x40	
56	N03/1310014	Yaylı Rondela	Washer, Spr.	4	M16	
57	N03/0100027	Pul	Washer, Pln.	4	M16	
58	H343600700	Çek Valf, ByPass	Check Valve, ByPass	1		
59	H253603100	Hortum, Dönüş Hattı	Hose, Return Line	1		
60	H253602100	Flanş, KM	Flange, WA	1		
61	N01/5890830	S.B. Cıvata	Bolt, Cyl. Hd.	4	M10x35	
62	N03/1360010	Yaylı Rondela	Washer, Spr.	4	M10	
63	H253602900	Flanş	Flange	1		
64	H253601900	Boru, KM	Pipe, WA	1		
65	N07/4315070	Kelepçe	Clamp	20		5125001-7125003
66	H253601400	Flanş KM	Flange WA	1	*	5125001-6125007 D
67	H253602400	Flanş KM	Flange WA	1		
68	H253603200	Hortum, Dönüş Hattı	Hose, Return Line	1		
69	H253601600	Boru, KM	Pipe, WA	1		
70	N07/C6205200	U-Saplama	U-Bolt	4		
71	N02/3570182	A.K. Somun	Nut, Hex.	8	M8	
72	N03/0100017	Pul	Washer, Pln.	8	M8	
73	N03/1310010	Yaylı Rondela	Washer, Spr.	8	M8	
74	H253600400	Boru, KM	Pipe, WA	1		
75	N16/X162005	Tapa	Plug	1		
76	N10/2002931	O-Ring	O-Ring	1		
77	N16/X162003	Tapa	Plug	1		
78	N10/2002331	O-Ring	O-Ring	1		
79	H253803300	Hortum, Dönüş Hattı	Hose, Return Line	1		
80	N16/X120004	Tapa	Plug	2		
81	N10/2001024	O-Ring	O-Ring	2		
82	N16/X162003	Tapa	Plug	1		5125001-6125003 D
83	N10/2002331	O-Ring	O-Ring	1		5125001-6125003 D

(*) H253600800, H253601000 ve H253601400 birlikte H253600801, H253601001 ve H253601401 ile değiştirilebilir. / H253600800, H253601000 and H253601400 can be changed together with H253600801, H253601001 and H253601401.

DÖNÜŞ VE SIZINTI HATTI MONTAJI UPPER DRAIN AND RETURN PIPING MOUNTING



NOT: Bu görüntü 6125004- seri nolu makineden itibaren geçerlidir.
NOTE: This view is valid from 6125004- serial number machine.

DÖNÜŞ VE SIZINTI HATTI MONTAJI
UPPER DRAIN AND RETURN PIPING MOUNTING

No	Parça No	Adı	Description	Adet	Not	Seri No	Y. Kul. S.K.
No	Part No			Q'ty	Note	Serial No	ICA S.C.
1	99N093216	Hortum Kompleksi	Hose Ass'y	1			
2	N16/K114343	Rekor	Connector	1			
3	N10/2001723	O-Ring	O-Ring	1			
4	99Q094237	Hortum Kompleksi	Hose Ass'y	1			
5	N16/K114344	Rekor	Connector	1			
6	N10/2002436	O-Ring	O-Ring	1			
7	N16/K114344	Rekor	Connector	1			
8	N10/2002436	O-Ring	O-Ring	1			
9	99Q093247	Hortum Kompleksi	Hose Ass'y	1			
10	N16/K114357	Rekor	Connector	1			
11	N10/2001323	O-Ring	O-Ring	1			
12	N16/K114357	Rekor	Connector	1			
13	N10/2001323	O-Ring	O-Ring	1			
14	99N093247	Hortum Kompleksi	Hose Ass'y	1			
15	N16/R060606	A.T. Rekor	Tee	1			
16	N10/2001723	O-Ring	O-Ring	1			
17	N16/K214462	Rekor	Connector	1			
18	N10/2001921	O-Ring	O-Ring	1			
19	99V092253	Hortum Kompleksi	Hose Ass'y	1			
20	N16/K114342	Rekor	Connector	1			
21	N10/2001323	O-Ring	O-Ring	1			
22	N16/K114342	Rekor	Connector	1			
23	N10/2001323	O-Ring	O-Ring	1			
24	N16/X120001	Tapa	Plug	1			
25	N10/2001323	O-Ring	O-Ring	1			
26	99V093272	Hortum Kompleksi	Hose Ass'y	1			
27	N16/K114343	Rekor	Connector	1			
28	N10/2001723	O-Ring	O-Ring	1			
29	97Q091240	Hortum Kompleksi	Hose Ass'y	1			
30	N16/K114341	Rekor	Connector	1			
31	N10/2001024	O-Ring	O-Ring	1			
32	97N091207	Hortum Kompleksi	Hose Ass'y	1			
33	97V092240	Hortum Kompleksi	Hose Ass'y	1			
34	N16/K114342	Rekor	Connector	1			
35	N10/2001323	O-Ring	O-Ring	1			
36	97S091233	Hortum Kompleksi	Hose Ass'y	1			
37	99Q092237	Hortum Kompleksi	Hose Ass'y	1			
38	N16/K114342	Rekor	Connector	1			
39	N10/2001323	O-Ring	O-Ring	1			
43	N10/2004735	O-Ring	O-Ring	1			
44	N01/5891166	S.B. Cıvata	Bolt, Cyl. Hd.	8	M12x30		
45	N03/1360011	Yaylı Rondela	Washer, Spr.	8	M12		
46	H253600100	Boru, KM	Pipe, WA	1			
47	H253603001	Hortum, Dönüş Hattı	Hose, Return Line	2		7125004-	

(*) H253600801, H253601001 ve H253601401 birlikte H253600800, H253601000 ve H253601400 yerine kullanılabilirler. / H253600801, H253601001 and H253601401 can be used together instead of H253600800, H253601000 and H253601400.

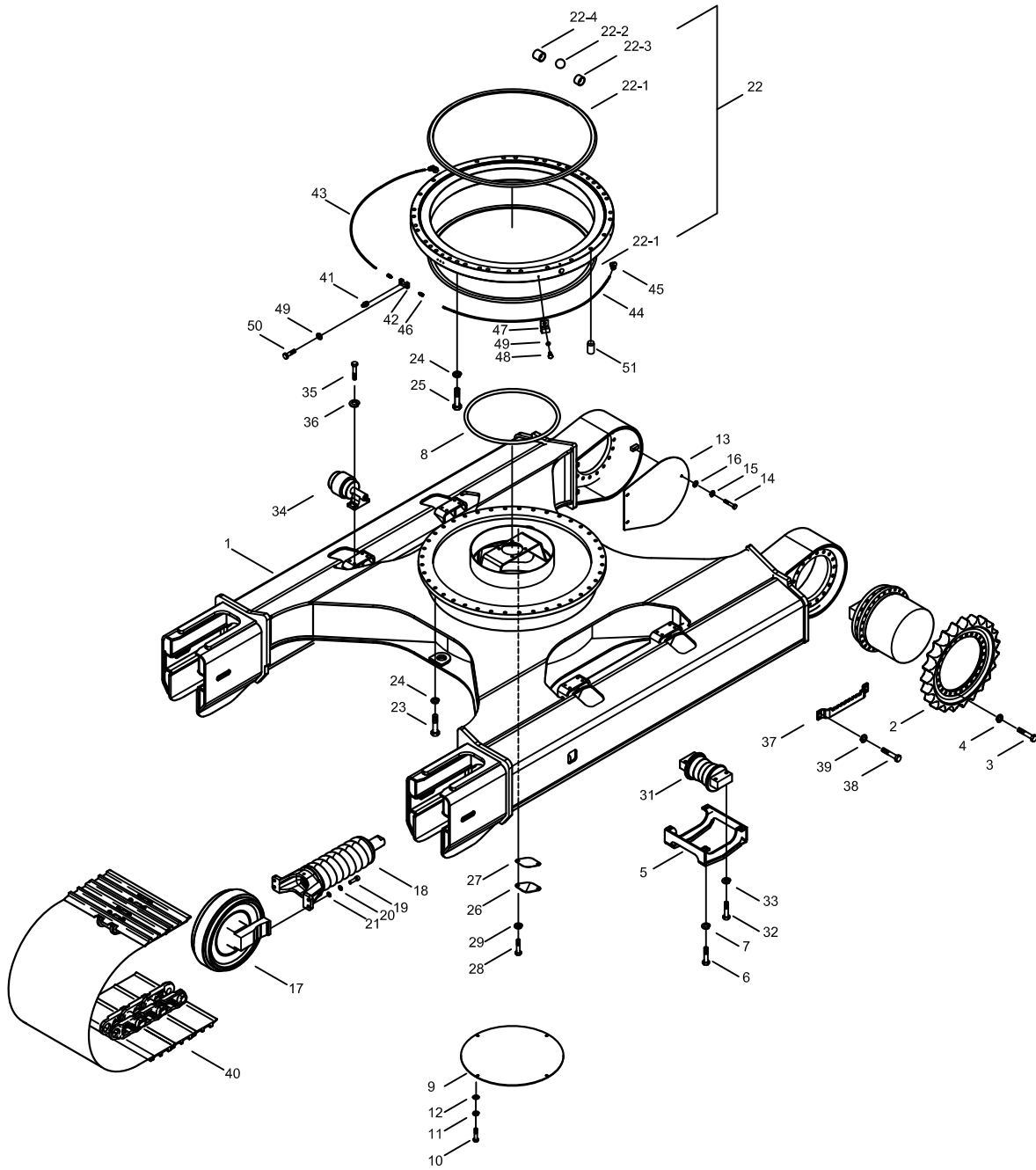
DÖNÜŞ VE SIZINTI HATTI MONTAJI

UPPER DRAIN AND RETURN PIPING MOUNTING

No	Parça No	Adı	Description	Adet	Not	Seri No	Y. Kul. S.K.
No	Part No			Q'ty	Note	Serial No	ICA S.C.
48	H253600801	Flanş, KM	Flange, WA	1	*	6125008-	D
49	N01/5890878	S.B. Civata	Bolt, Cyl. Hd.	8	M10x55		
50	N03/1360010	Yaylı Rondela	Washer, Spr.	8	M10		
51	H233601300	Çek Valf, ByPass	Check Valve, ByPass	1			
52	N10/2005636	O-Ring	O-Ring	2			
53	H253601001	Boru, KM	Pipe, WA	1	*	6125008-	D
54	H253602500	Tutucu Sac	Support	2			
55	N01/0233590	A.K.B. Civata	Bolt, Hex.	4	M16x45		
56	N03/1310014	Yaylı Rondela	Washer, Spr.	4	M16		
57	N03/0100027	Pul	Washer, Pln.	4	M16		
58	H343600700	Çek Valf, ByPass	Check Valve, ByPass	1			
59	H253603101	Hortum, Dönüş Hattı	Hose, Return Line	1		7125004-	
60	H253602100	Flanş, KM	Flange, WA	1			
61	N01/5890830	S.B. Civata	Bolt, Cyl. Hd.	4	M10x35		
62	N03/1360010	Yaylı Rondela	Washer, Spr.	4	M10		
63	H253602900	Flanş	Flange	1			
64	H253601900	Boru, KM	Pipe, WA	1			
65	N07/8205963	Kelepçe	Clamp	10		7125004-	D
66	H253601401	Flanş KM	Flange WA	1	*	6125008-	D
67	H253602400	Flanş KM	Flange WA	1			
68	H253603201	Hortum, Dönüş Hattı	Hose, Return Line	1		7125004-	
69	H253601600	Boru, KM	Pipe, WA	1			
70	N07/C6205200	U-Saplama	U-Bolt	4			
71	N02/3570182	A.K. Somun	Nut, Hex.	8	M8		
72	N03/0100017	Pul	Washer, Pln.	8	M8		
73	N03/1310010	Yaylı Rondela	Washer, Spr.	8	M8		
74	H253600400	Boru, KM	Pipe, WA	1			
75	N16/X162005	Tapa	Plug	1			
76	N10/2002931	O-Ring	O-Ring	1			
77	N16/X162003	Tapa	Plug	1			
78	N10/2002331	O-Ring	O-Ring	1			
79	H253603301	Hortum, Dönüş Hattı	Hose, Return Line	1		7125004-	
80	N16/X120004	Tapa	Plug	2			
81	N10/2001024	O-Ring	O-Ring	2			
82	N16/X120002	Tapa	Plug	1		6125004-	D
83	N10/2002234	O-Ring	O-Ring	1		6125004-	D

(*) H253600801, H253601001 ve H253601401 birlikte H253600800, H253601000 ve H253601400 yerine kullanılabilirler. / H253600801, H253601001 and H253601401 can be used together instead of H253600800, H253601000 and H253601400.

ALT ŞASI MONTAJI LOWER FRAME MOUNTING



ALT ŞASI MONTAJI

LOWER FRAME MOUNTING

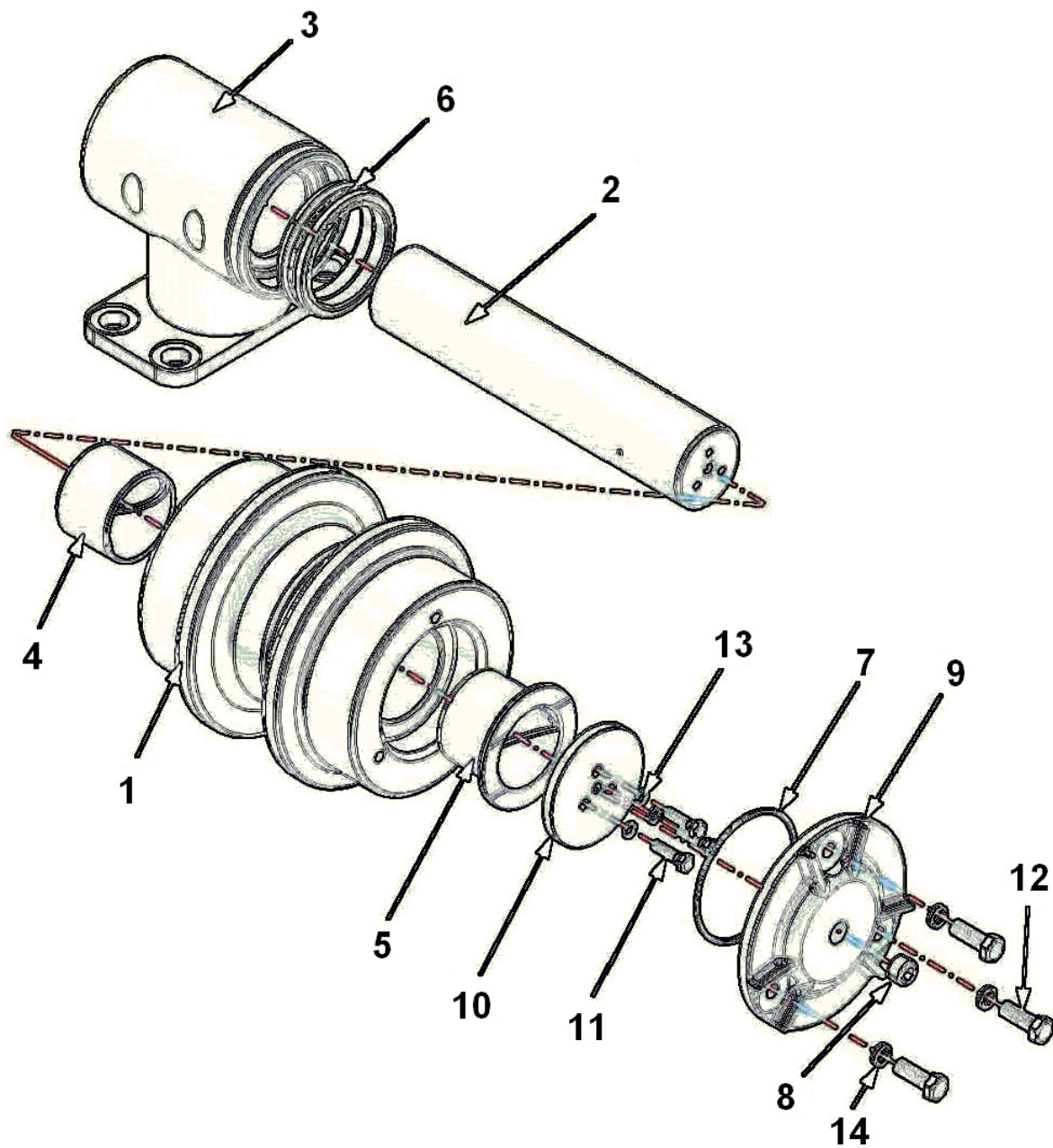
No	Parça No	Adı	Adet	Not	Seri No	Y. Kul. S.K.
No	Part No	Description	Q'ty	Note	Serial No	ICA S.C.
1	H254000100	Alt Şasi K.M.	1		5125001-7125013	
	H254000101	Alt Şasi K.M.	1	*	7125014-	
2	H254006900	Cer Dişlisi	2		5125001-7125013	
	H254100200	Cer Dişlisi	2	*	7125014-	
3	H254107000	A.K.B. Cıvata	52	M20x60		
4	N03/0800003	Yaylı Rondela	52	M20		
5	H254100300	Palet Muhafazası	4			
6	N01/0381718	A.K.B. Cıvata	16	M20x45		
7	N03/1310016	Yaylı Rondela	16	M20		
8	H344104900	Gres Fıtili	1			
9	H344100700	Alt Kapak	1			
10	N01/0232846	A.K.B. Cıvata	4	M12x30		
11	N03/1310012	Yaylı Rondela	4	M12		
12	N03/0100023	Pul	4	M12		
13	H254100700	Y. Ünitesi Kapağı, Sol	2		5125001-6125002	D
	H254100701	Y. Ünitesi Kapağı, Sol	2		6125003-	D
14	N01/0232846	A.K.B. Cıvata	6	M12x30		
15	N03/1310012	Yaylı Rondela	6	M12		
16	N03/0100023	Pul	6	M12		
17	H254101300	İstikamet Tekeri Komp Idler Ass'y	2		5125001-9125003	A
	H254101301	İstikamet Tekeri Komp Idler Ass'y	2		9125004-	A
18	H254102900	Gerdirme Mek. Komp. Adjuster Ass'y	2			
19	N01/5892054	S.B. Cıvata	8	M20x60		
20	N03/1360015	Yaylı Rondela	8	M20		
21	N03/0100031	Pul	8			
22	H254104800	Kule Dön. Dişli. Komp. Swing Ring Ass'y	1			
22_1	H259031008	Keçe, Kule Dön. Diş.	2			
22_2	H259031005	Bilya, Kule Dön. Diş.	112			
22_3	H259031006	Destek A, Kul. Dön.	105			
22_4	H259031007	Destek B, Kul. Dön.	7			
23	N01/0392016	A.K.B. Cıvata	40	M24x80		
24	N03/0800005	Yaylı Rondela	76	M24		
25	N01/0392088	A.K.B. Cıvata	36	M24x120		
26	H341201500	Kapak	1			
27	H341201600	Conta	1			
28	N01/0232462	A.K.B. Cıvata	2	M10x25		
29	N03/1310011	Yaylı Rondela	2	M10		
31	H254105100	Yürüyüş Makara Ko.	18			
32	N01/0381860	A.K.B. Cıvata	72	M20x100		
33	N03/1310016	Yaylı Rondela	72	M20		
34	H254105900	Taşıyıcı Makara Komp. Roller,Upper	4			
35	N01/0381214	A.K.B. Cıvata	16	M16x45		
36	N03/1310014	Yaylı Rondela	16	M16		
37	H254100800	Basamak Sacı	4			

(*) 7125010 ve 7125012 dahildir. / 7125010 and 7125012 included.

ALT ŞASI MONTAJI
LOWER FRAME MOUNTING

No	Parça No	Adı	Description	Adet	Not	Seri No	Y. Kul. S.K.
No	Part No			Q'ty	Note	Serial No	ICA S.C.
38	N01/0233566	A.K.B. Cıvata	Bolt, Hex.	16	M16x35		
39	N03/0020124	Yaylı Rondela	Washer, Spr.	16	M16		
40	H254200100	Palet Komp.	Track Ass'y	2			
41	N08/1110000	Gresörlük	Grease, Nipple	2			
42	H254101500	Blok	Block	1			
43	H254101600	Boru, Gres	Pipe, Grease	1			
44	H254101700	Boru, Gres	Pipe, Grease	1			
45	H345801100	Dirsek	Elbow	2			
46	H345800700	Rekor	Connector	2			
47	N07/7010908	Kelepçe	Clamp	2			
48	N01/0222078	A.K.B. Cıvata	Bolt, Hex.	2	M8x15		
49	N03/1310010	Yaylı Rondela	Washer, Spr.	4	M8		
50	N01/0370374	A.K.B. Cıvata	Bolt, Hex.	2	M8x35		
51	H344107300	Pim, Kule Dişlisi	Pin, Swing Ring	2			

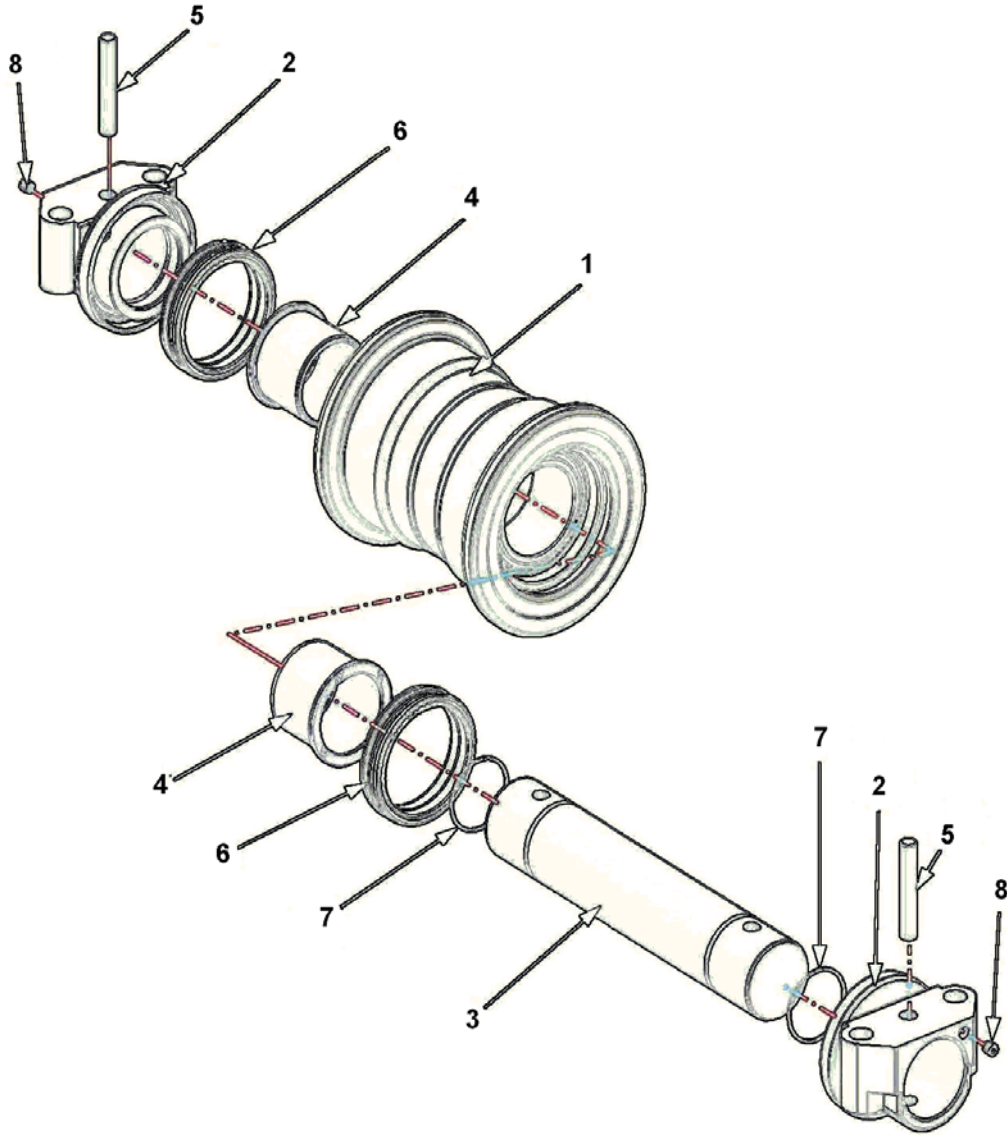
TAŞIYICI MAKARA UPPER ROLLER



TAŞIYICI MAKARA UPPER ROLLER

No	Parça No	Adı	Description	Adet	Not	Seri No	Y. Kul. S.K.
No	Part No			Q'ty	Note	Serial No	ICA S.C.
	H254105900	Taşıyıcı Mak. Komp.	Upper Roller Ass'y	1			
1	H259034001	Gövde	Body Ass'y	1			
2	H259034002	Şaft	Shaft	1			
3	H259034003	Destek	Bracket	1			
4	H259034004	Burç	Bushing	1	before 9A01 /öncesi		
	H259034004A	Burç	Bushing	1	after 9A01 /sonrası		
5	H259034005	Burç	Bushing	1	before 7A01 /öncesi		
	H259034005A	Burç	Bushing	1	7A01-8L31		
	H259034005B	Burç	Bushing	1	after 9A01 /sonrası		
6	H259034006	Yüzer Keçe	Floating Seal	1			
7	H259034007	O-Ring	O-Ring	1			
8	H259034008	Tapa	Plug	1			
9	H259034009	Kapak	Cover	1			
10	H259034010	Pul	Washer	1			
11	H259034011	Cıvata	Bolt	3	M8x1.25x20		
12	H259034012	Cıvata	Bolt	3	M10x1.25x25		
13	H259034013	Yaylı Rondela	Washer, Spr.	3	M8		
14	H259034014	Yaylı Rondela	Washer, Spr.	3	M10		

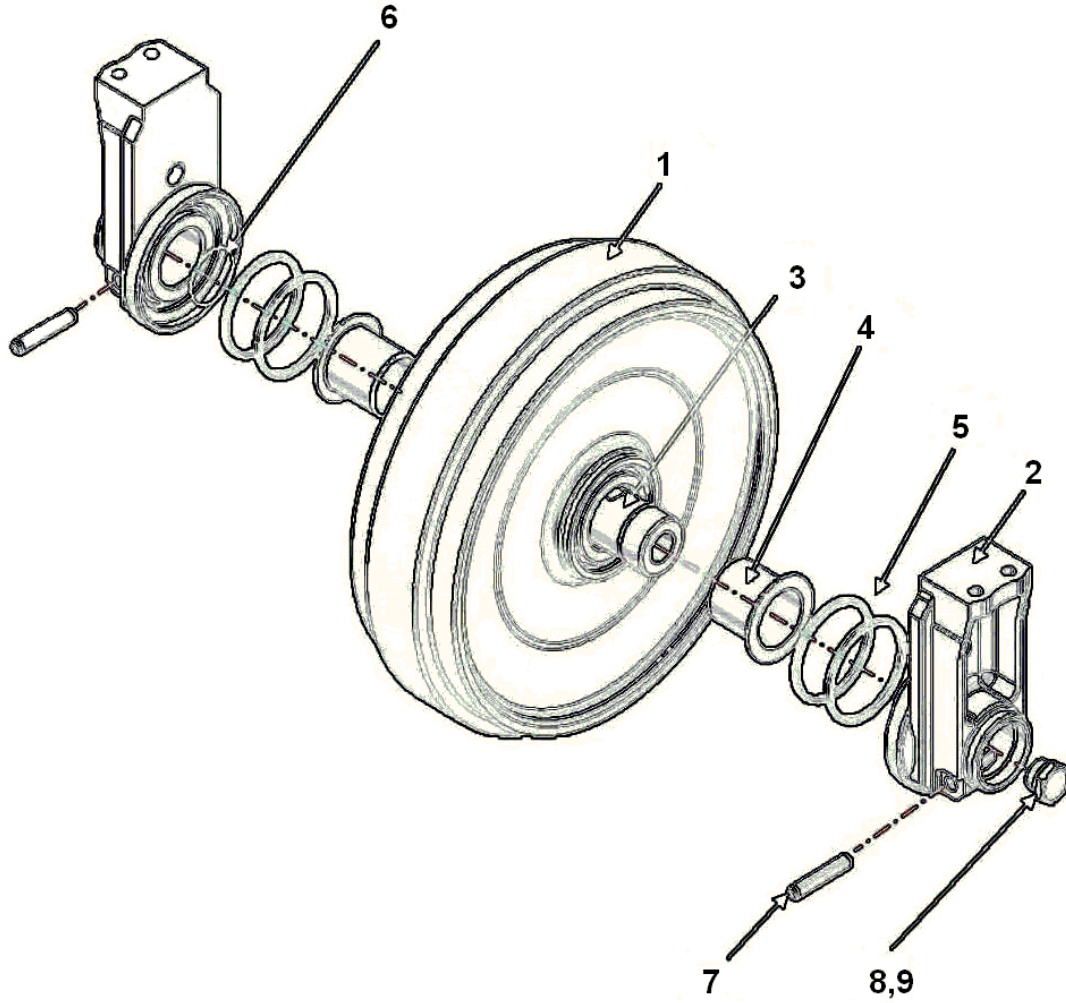
YÜRÜYÜŞ MAKARASI LOWER ROLLER



YÜRÜYÜŞ MAKARASI
LOWER ROLLER

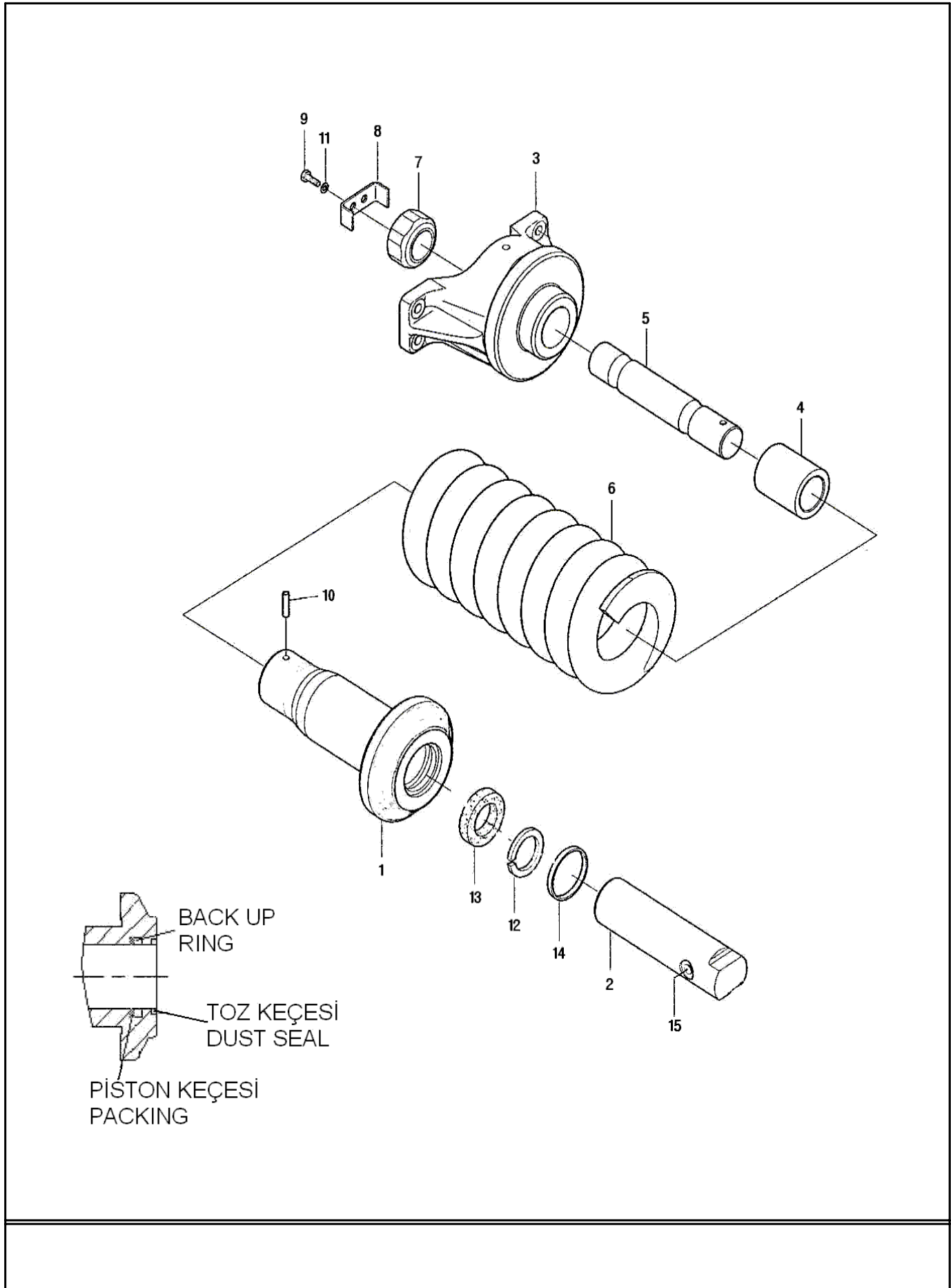
No	Parça No	Adı		Adet	Not	Seri No	Y. Kul. S.K.
No	Part No		Description	Q'ty	Note	Serial No	ICA S.C.
	H254105100	Yürü. Makarası Komp.	Lower Roller Ass'y	1			
1	H259033001	Gövde Komitesi	Body Ass'y	1			
2	H259033002	Bilezik	Collar	2			
3	H259033003	Şaft	Shaft	1			
4	H259033004	Burç	Bushing	2			
5	H259033005	Pim	Pin	2			
6	H259033006	Yüzer Keçe	Floating Seal	2			
7	H259033007	O-Ring	O-Ring	2			
8	H259033008	Tapa	Plug	2			

İSTİKAMET TEKERİ IDLER ASSEMBLY



İSTİKAMET TEKERİ IDLER ASSEMBLY

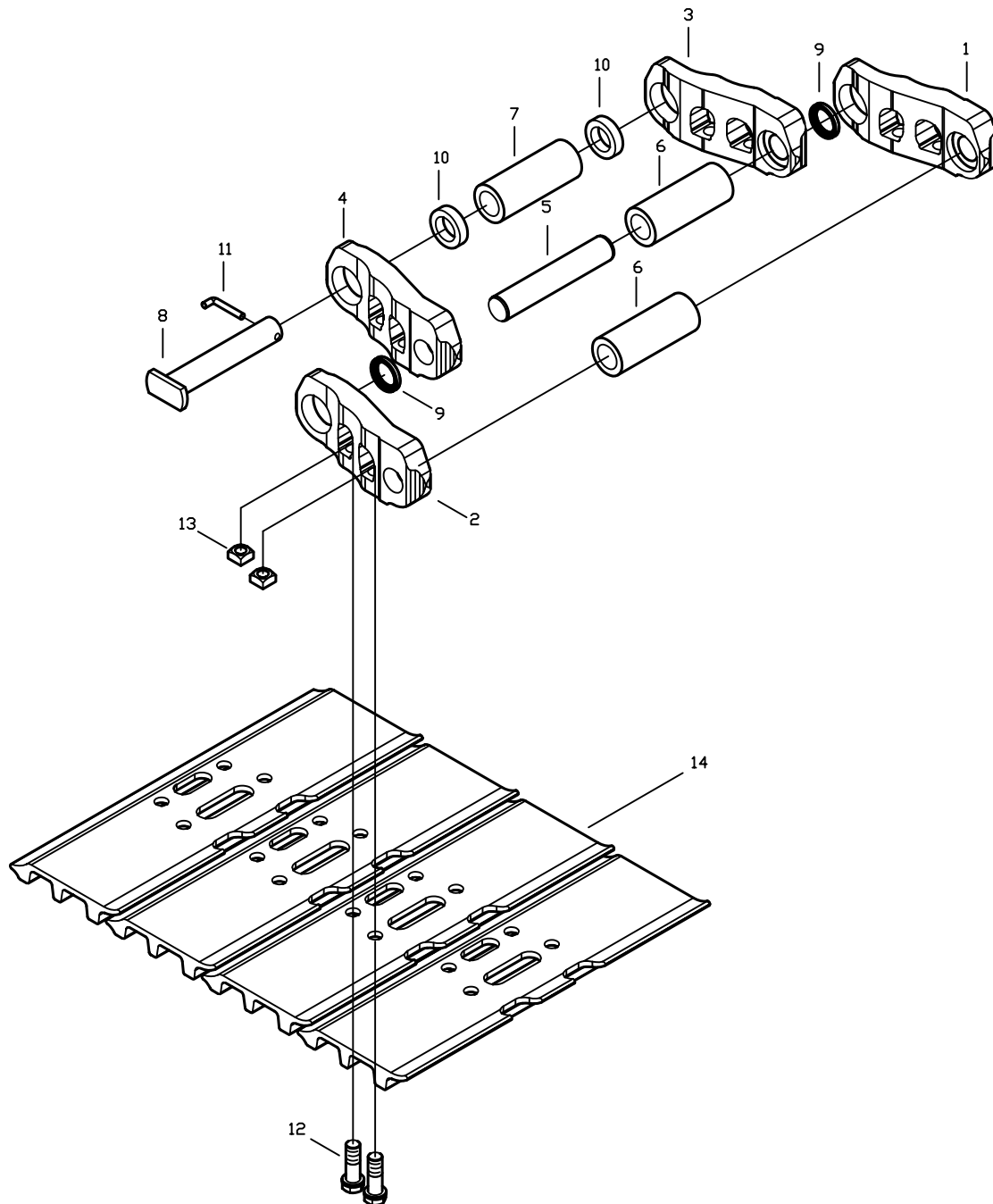
No	Parça No	Adı	Adet	Not	Seri No	Y. Kul. S.K.
No	Part No	Description	Q'ty	Note	Serial No	ICA S.C.
	H254101300	İstik. Tekerı Komp.	1		5125001-9125003	A
	H254101301	İstik. Tekerı Komp.	1		9125004-	A
1	H259035001	Teker	1		5125001-9125003	D
	H259035001A	Teker	1		9125004-	D
2	H259035002	Yatak	2		5125001-9125003	D
	H259035002A	Yatak	2		9125004-	D
3	H259035003	Şaft	1	Ø80	5125001-9125003	D
	H259035003A	Şaft	1	Ø85	9125004-	D
4	H259035004	Burç	2		5125001-9125003	D
	H259035004A	Burç	2		9125004-	D
5	H259035005	Yüzer Keçe	2		5125001-9125003	D
	H259035005A	Yüzer Keçe	2		9125004-	D
6	H259035006	O-Ring	2		5125001-9125003	D
	H259035006A	O-Ring	2		9125004-	D
7	H259035007	Pim	2		5125001-9125003	D
	H259035007A	Pim	2		9125004-	D
8	H259035008	Tapa	1		5125001-9125003	D
	H259035008A	Tapa	1		9125004-	D
9	H259035009	O-Ring	1		5125001-9125003	

**GERDİRME MEKANİZMASI
ADJUSTER ASSEMBLY**

GERDİRME MEKANİZMASI ADJUSTER ASSEMBLY

No	Parça No	Adı	Description	Adet	Not	Seri No	Y. Kul. S.K.
No	Part No			Q'ty	Note	Serial No	ICA S.C.
	H254102900	Gerdirme Mek. Komp.	Adjuster Ass'y	2			
1	H259036001	Silindir	Cylinder Body	1			
2	H259036002	Piston	Rod, Piston	1			
3	H259036003	Braket	Bracket	1			
4	H259036004	Mesafe Bileziği	Spacer	1			
5	H259036005	Şaft	Shaft	1			
6	H259036006	Yay	Spring	1			
7	H259036007	Somun, Kilitleme	Nut, Lock	1			
8	H259036008	Kilit Sacı	Plate, Lock	1			
9	H259036009	Civata	Bolt, Socket	4	M12x1.75		
10	H259036010	Pim, Yay	Spring Pin	1			
11	H259036011	Rondela	Spring Washer	1			
12	H259036012	Piston Keçesi	Packing	1			K
13	H259036013	Back-Up Ring	Back-Up Ring	1			K
14	H259036014	Toz Keçesi	Seal Dust	1			K
15	H259036015	Valf Komp.	Grease Valve	1			
•	H259036016	Tamir Takımı	Seal KIT	1	K		

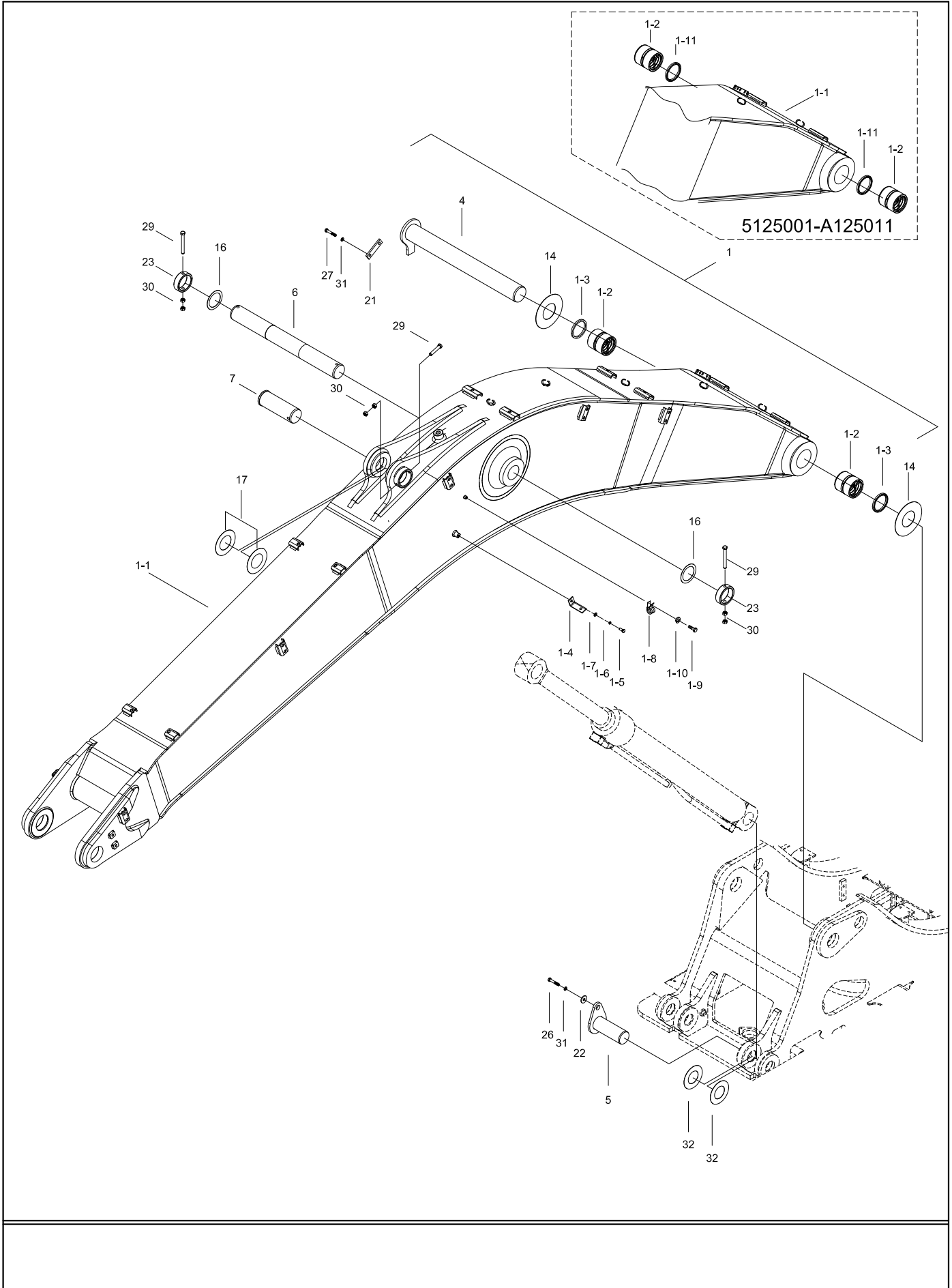
PALET KOMPLESI TRACK CHAIN ASSEMBLY



PALET KOMPLESİ
TRACK CHAIN ASSEMBLY

No	Parça No	Adı	Description	Adet	Not	Seri No	Y. Kul. S.K.
No	Part No			Q'ty	Note	Serial No	ICA S.C.
	H254200100	Palet Montajı	Track Ass'y	1			
1	H259037001	Palet Baklası, Sağ	Track Link, RH	50			
2	H259037002	Palet Baklası, Sol	Track Link, LH	50			
3	H259037003	Plt. Bak. Master, Sağ	Trk. Link, Master, RH	1			
4	H259037004	Plt. Bak. Master, Sol	Trk. Link, Master, LH	1			
5	H259037005	Pim	Track Pin, Regular	50			
6	H259037006	Burç	Track Bushing	50			
7	H259037007	Burç, Master	Track Bush., Master	1			
8	H259037008	Pim, Master	Track Pin, Master	1			
9	H259037009	Keçe	Dust Seal	100			
10	H259037010	Mesafe Bileziği	Spacer	2			
11	H259037011	Kilit Pimi	Clamping Pin	1			
12	H259037012	Civata	Bolt	204			
13	H259037013	Somun	Nut	204			
14	H259037014	Pabuç	Track Shoe	51			
•	H259037015	Palet Zinciri Komp., Pabuçsuz	Link Ass'y, Without Shoes	1			

ANA BOM MONTAJI BOOM MOUNTING

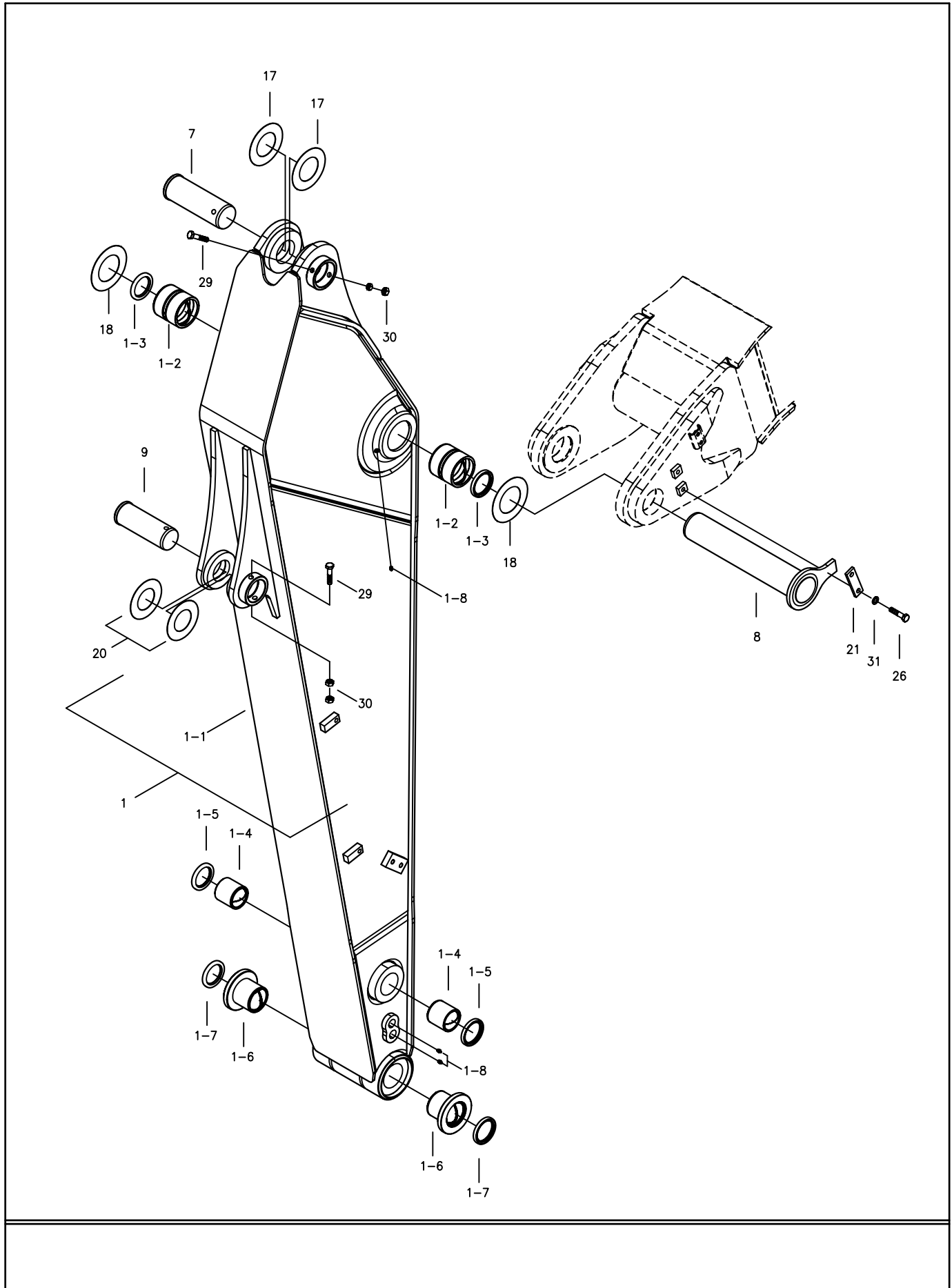


ANA BOM MONTAJI
BOOM MOUNTING

No No	Parça No Part No	Adı	Description	Adet Q'ty	Not Note	Seri No Serial No	Y. Kul. S.K. ICA S.C.
1	H255100000	Ana Bom Montajı	Boom Ass'y	1		5125001-6125002	
	H255100001	Ana Bom Montajı	Boom Ass'y	1		6125003-7125177	
	H255100002	Ana Bom Montajı	Boom Ass'y	1	*	7125178-A125011	
	H255100003	Ana Bom Montajı	Boom Ass'y	1		A125012-	D
1_1	H255100100	Ana Bom K.M.	Boom W.A.	1		5125001-6125002	
	H255100101	Ana Bom K.M.	Boom W.A.	1		6125003-7125177	
	H255100102	Ana Bom K.M.	Boom W.A.	1	*	7125178-A125011	
	H255100103	Ana Bom K.M.	Boom W.A.	1		A125012-	D
1_2	H255104000	Sert Burç; Çelik	Bushing; Steel	2			
	H255104001	Sert Burç; Çelik	Bushing; Steel	2	*	A125012-	D
	H255104200	Sert Burç	Bushing	2	*	A125012-	C
1_3	N10/5911010	Toz Keçesi	Seal, Dust	2			
1_4	H345104700	Bağlantı Laması, Çalışma Lambası	Plate, W/Lamp	2			
1_5	N01/0232846	A.K.B. Cıvata	Bolt, Hex	2	M12x30		
1_6	N03/1310012	Yaylı Rondela	Washer, Spr	2	M12		
1_7	N03/0100023	Pul	Washer, Pln	2	M12		
1_8	N07/7010908	Kelepçe, Titreşim Em.	Clip, Vibration Stop	2		6125003-	
1_9	N01/0222078	A.K.B. Cıvata	Bolt, Hex	2	M8x15	6125003-	
1_10	N03/1310010	Yaylı Rondela	Washer, Pln.	2	M8	6125003-	
4	H255000100	Pim	Pin	1			
5	H255000400	Pim	Pin	2			
6	H255000700	Pim	Pin	1			
7	H255000800	Pim	Pin	1			
14	H255002000	Şim	Shim	2	2 mm		
16	H255002200	Şim	Shim	2	1 mm		
17	H255002300	Şim	Shim	2	1 mm		
21	H345000500	Pim Sabitleme Laması	Pate	1			
22	H345002700	Destek Pulu	Support, Washer	2			
23	H255103900	Sabitleme Bileziği	Stopper	2			
26	N01/0233530	A.K.B. Cıvata	Bolt, Hex	2	M16x25		
27	N01/03811226	A.K.B. Cıvata	Bolt, Hex	2	M16x50		
29	N01/0381430	A.K.B. Cıvata	Bolt, Hex	3	M16x160		
30	N02/3570314	A.K. Somun	Nut, Hex.	6	M16		
31	N03/1310014	Yaylı Rondela	Washer, Spr.	4	M16		
32	H255002700	Şim	Shim	4	0.5 mm		

(*) H255104001 ve H255104200 nolu sert burçlar; H255100002 ve önceki bomlara montaj edilecekse H255105500 nolu mesafe pulu ile birlikte montaj edilmelidir. / If H255104001 and H255104200 serial numbered bushings will be mounted on H255100002 and previous booms, they must be mounted with H255105500 serial numbered spacer.

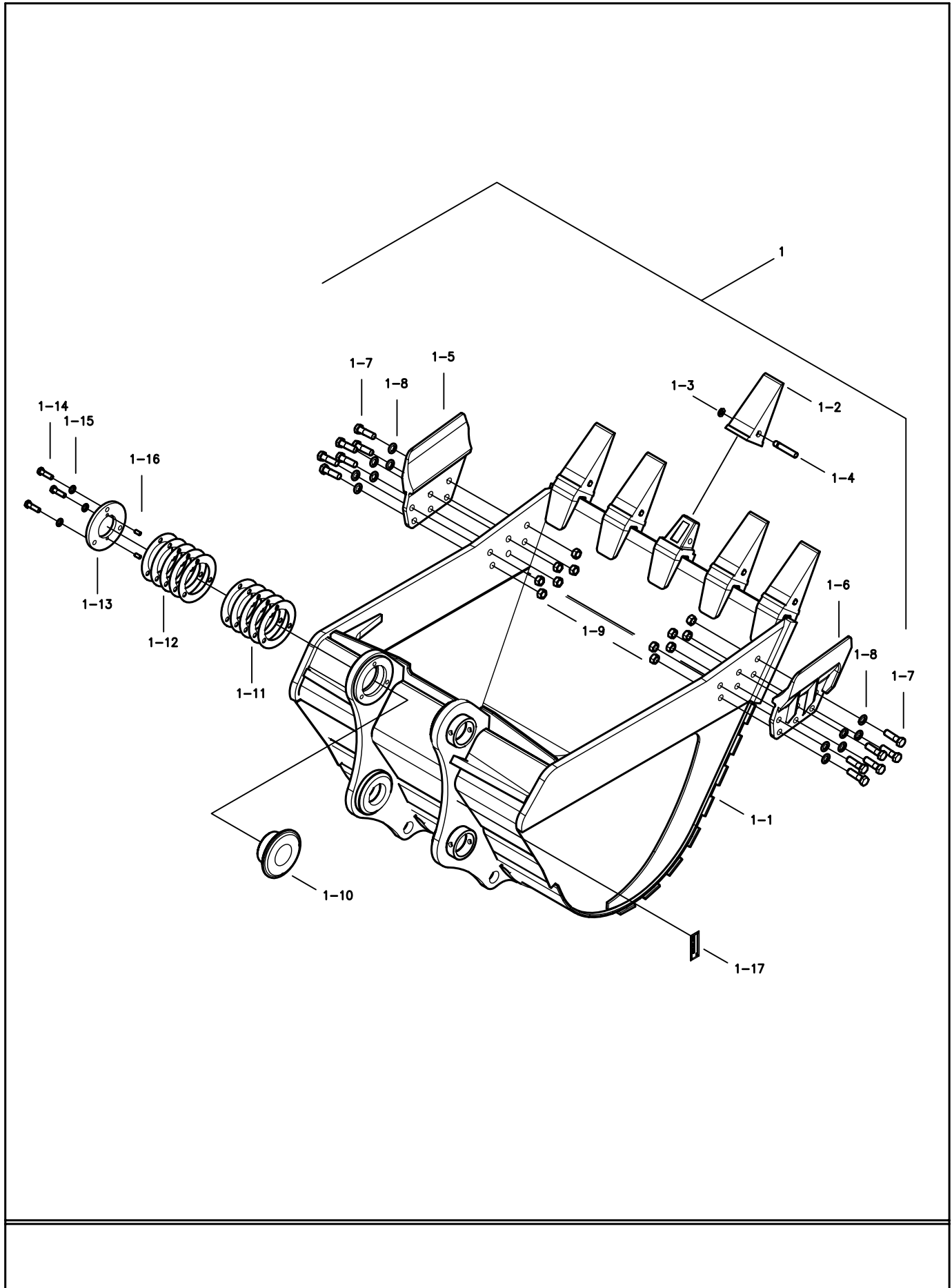
UÇ BOM MONTAJI ARM MOUNTING



UÇ BOM MONTAJI
ARM MOUNTING

No	Parça No	Adı	Description	Adet	Not	Seri No	Y. Kul. S.K.
No	Part No			Q'ty	Note	Serial No	ICA S.C.
1A	H255200000	Uç Bom Montajı	Arm Ass'y	1	3.07m	5125001	D
	H255200001	Uç Bom Montajı	Arm Ass'y	1	3.07m	6125001-6125002	D
	H255200002	Uç Bom Montajı	Arm Ass'y	1	3.07m	6125003-	D
1B	H255210000	Uç Bom Montajı	Arm Ass'y	1	2.5m		OP
1_1A	H255200100	Uç Bom K.M.	Arm	1	3.07m	5125001	D
	H255200101	Uç Bom K.M.	Arm	1	3.07m	6125001-6125002	D
	H255200102	Uç Bom K.M.	Arm	1	3.07m	6125003-	D
1_1B	H255210100	Uç Bom K.M.	Arm	1	2.5m		OP
1_2	H255203400	Sert Burç	Bushing	2			
1_3	N10/5911010	Toz Keçesi	Seal Dust	2			
1_4	H255203500	Sert Burç	Bushing	2			
1_5	N10/5809505	Toz Keçesi	Seal Dust	2			
1_6	H255203600	Sert Burç	Bushing	2			
1_7	N10/5901056	Toz Keçesi	Seal Dust	2			
1_8	N08/1110000	Gresörlük	Grease, Nipple	4			
7	H255000800	Pim	Pin	1			
8	H255000900	Pim	Pin	1			
9	H255001200	Pim	Pin	1			
17	H255002300	Şim	Shim	2			
18	H255002400	Şim	Shim	2			
20	H255002600	Şim	Shim	2			
21	H345000500	Pim Sabitleme Laması	Plate	1			
26	N01/0233530	A.K.B. Cıvata	Bolt, Hex	2			
29	N01/0381430	A.K.B. Cıvata	Bolt, Hex	2			
30	N02/3570314	A.K. Somun	Nut, Hex.	4			
31	N03/1310014	Yaylı Rondela	Washer, Spr.	2			

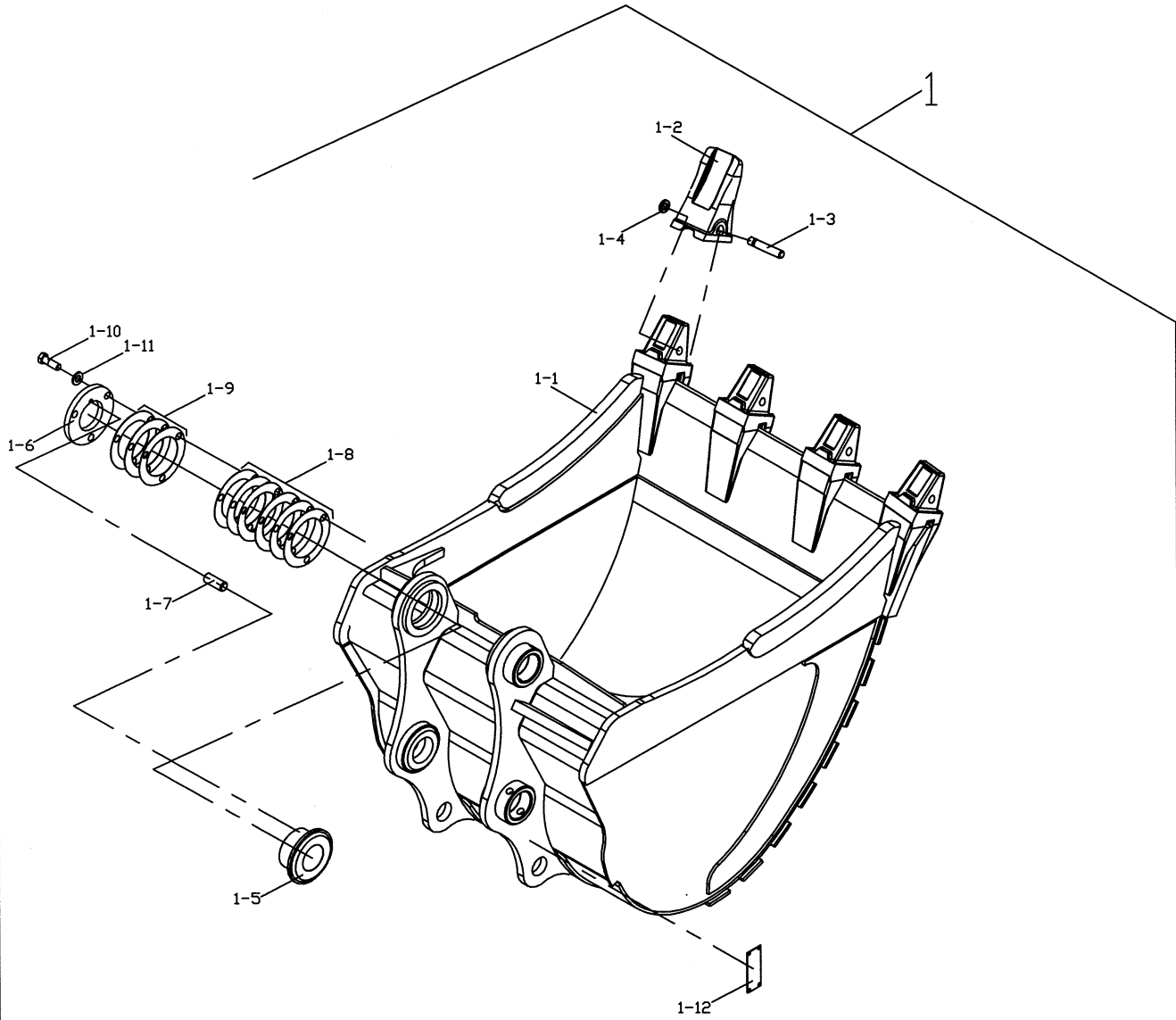
GENEL AMAÇLI KEPÇE GENERAL PURPOSE BUCKET



GENEL AMAÇLI KEPÇE
GENERAL PURPOSE BUCKET

No	Parça No	Adı	Description	Adet	Not	Seri No	Y. Kul.	S.K.
No	Part No			Q'ty	Note	Serial No	ICA	S.C.
1A	H255310000	G. Amaç. Kep. Komp.	Gen.Purp. Buc. Ass'y	1	1300 mm	5125001	D	
	H255310001	G. Amaç. Kep. Komp.	Gen.Purp. Buc. Ass'y	1	1300 mm	6125001-	D	
1B	H250300000	G. Amaç. Kep. Komp.	Gen.Purp. Buc. Ass'y	1	750 mm			OP
1C	H250315000	G. Amaç. Kep. Komp.	Gen.Purp. Buc. Ass'y	1	1500 mm			OP
1_1A	H255310100	G. Amaç. Kep. K.M.	Gen.Purp. Buc. W.A.	1	1300 mm	5125001	D	
	H255310101	G. Amaç. Kep. K.M.	Gen.Purp. Buc. W.A.	1	1300 mm	6125001-	D	
1_1B	H250300100	G. Amaç. Kep. K.M.	Gen.Purp. Buc. W.A.	1	750 mm			OP
1_1C	H250315100	G. Amaç. Kep. K.M.	Gen.Purp. Buc. W.A.	1	1500 mm			OP
1_2	H255302800	Tırnak	Point					
		1300 mm, Kepçe	1300 mm, Bucket	5				
		750 mm, Kepçe	750 mm, Bucket	3				
		1500 mm, Kepçe	1500 mm, Bucket	5				
1_3	H255302900	Sabitleme Pulu	Washer, Tooth					
		1300 mm, Kepçe	1300 mm, Bucket	5				
		750 mm, Kepçe	750 mm, Bucket	3				
		1500 mm, Kepçe	1500 mm, Bucket	5				
1_4	H255303300	Kilit Pimi	Pin, Tooth					
		1300 mm, Kepçe	1300 mm, Bucket	5				
		750 mm, Kepçe	750 mm, Bucket	3				
		1500 mm, Kepçe	1500 mm, Bucket	5				
1_5	H255303100	Yan Bıçak, Sağ	Cutter, Slide, R/H	1				
1_6	H255303200	Yan Bıçak, Sol	Cutter, Slide, L/H	1				
1_7	N01/0385040	A.K.B. Civata	Bolt, Hex.	12	M22x75			
1_8	N03/1310017	Yaylı Rondela	Washer, Spr.	12	M22			
1_9	N02/3580410	Somun	Nut, Hex.	12	M22			
1_10	H255303500	Mesafe Ayar Burcu	Spacer	1				
1_11	H255303700	Şim	Shim	5	1 mm			
1_12	H255303800	Şim	Shim	5	0.5 mm			
1_13	H255303600	Baskı Plakası	Plate	1				
1_14	N01/0381226	A.K.B. Civata	Bolt, Hex.	3	M16x50			
1_15	N03/1310014	Yaylı Rondela	Washer, Spr.	3	M16			
1_16	H345303700	Kilit Pimi	Pin, Lock	1				
1_17	H347000600	Etiket, Ataçman	Decal, Attachment	1				

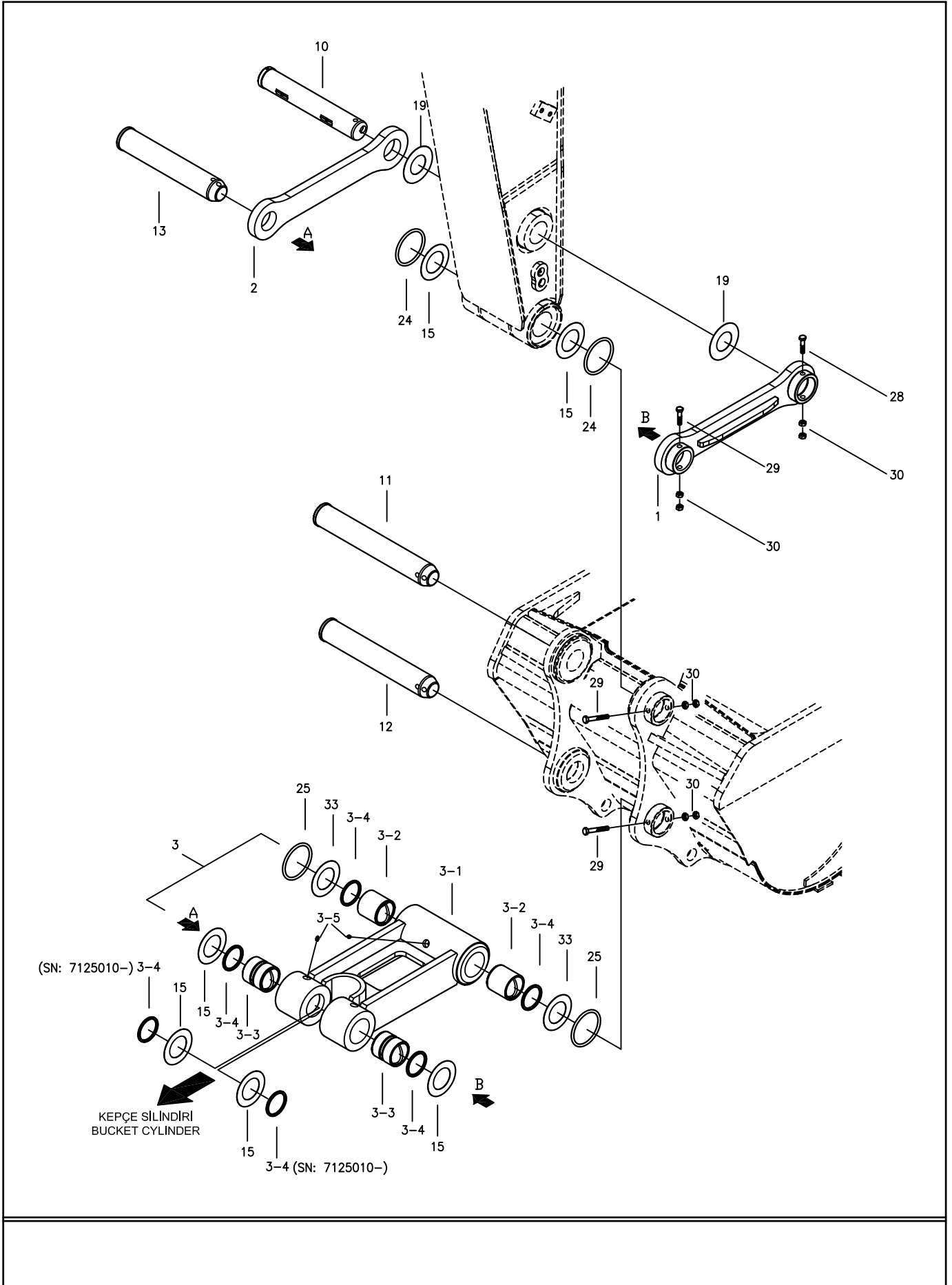
DUAL RADÜS KEPÇE-(OP)
DUAL RADIUS BUCKET-(OP)



DUAL RADÜS KEPÇE-(OP)
DUAL RADIUS BUCKET-(OP)

No No	Parça No Part No	Adı	Description	Adet Q'ty	Not Note	Seri No Serial No	Y. Kul. S.K. ICA S.C.
1	H205310000	KEPÇE MONTAJI	BUCKET ASS'Y	1	780 mm		
1_1	H205310100	KEPÇE K.M	BUCKET, W.A	1			
1_2	H345302801	TIRNAK	TOOTH	4			
1_3	H345303000	KİLİT PİMİ	PIN, LOCK	4			
1_4	H345302900	SABİTLEME PULU	WASHER, STOP	4			
1_5	H205303500	MESAFE AYAR BURC	SPACER	1			
1_6	H205303600	BASKI PLAKASI	PLATE	1			
1_7	H205303700	KİLİT PİMİ	PIN, LOCK	1			
1_8	H205303900	ŞİM	SHIM	6	0.5 mm		
1_9	H205303800	ŞİM	SHIM	3	1 mm		
1_10	N01/0381226	CİVATA	BOLT	3	M16x50		
1_11	N03/0810002	PUL	WASHER	3			
1_12	H347000600	ETİKET, ATACMAN	LABEL, ATTACH	1			

ÇALIŞMA ATAÇMANLARI KONTROLÜ WORKING ATTACHMENT CONTROL

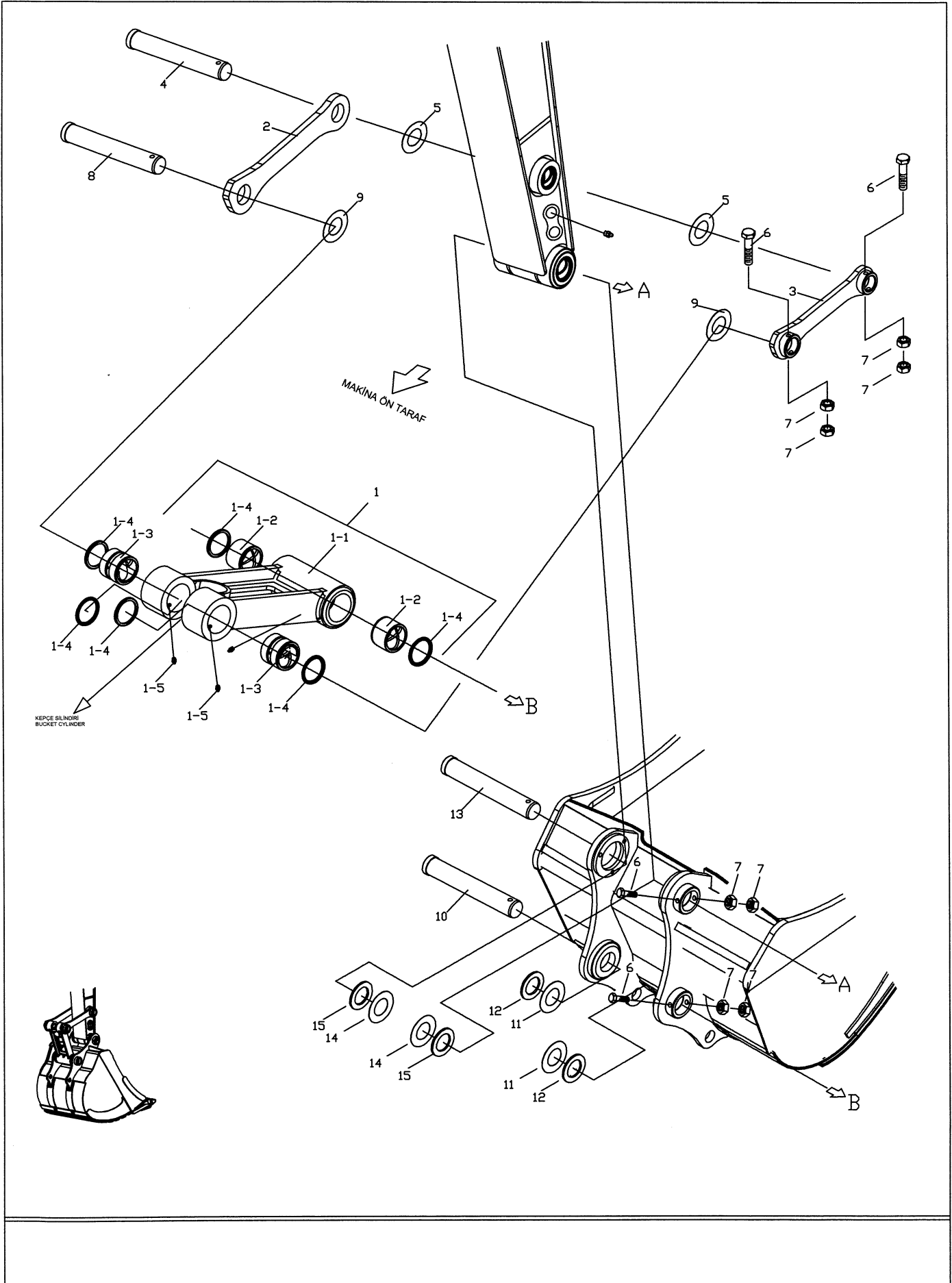


ÇALIŞMA ATAÇMANLARI KONTROLÜ

WORKING ATTACHMENT CONTROL

No	Parça No	Adı	Description	Adet	Not	Seri No	Y. Kul. S.K.
No	Part No			Q'ty	Note	Serial No	ICA S.C.
1	H255400100	Destek Kolu, K.M., Sol	Yoke W.A., L/H	1			
2	H255400200	Destek Kolu, K.M., Sağ	Yoke W.A., R/H	1			
3	H255400400	Palet Montajı	Link Ass'y	1		5125001-6125002	D
	H255400401	Palet Montajı	Link Ass'y	1		6125003-	D
3_1	H255400500	Palet K.M.	Link W.A.	1		5125001-6125002	D
	H255400501	Palet K.M.	Link W.A.	1		6125003-7125009	D
	H255400502	Palet K.M.	Link W.A.	1		7125010-	D
3_2	H255401100	Sert Burç	Bushing	2			
3_3	H255401200	Sert Burç	Bushing	2		5125001-7125009	D
	H255401201	Sert Burç	Bushing	2		7125010-	D
3_4	N10/5901056	Toz Keçesi	Seal Dust	4		5125001-7125009	
	N10/5901056	Toz Keçesi	Seal Dust	6		7125010-	
3_5	N08/1110000	Gresörlük	Grease, Nipple	3			
10	H345303301	Pim	Pin	1			
11	H255001400	Pim	Pin	1			
12	H255001500	Pim	Pin	1			
13	H255001600	Pim	Pin	1			
15	H255002100	Şim	Shim	6	1mm		
19	H255002500	Şim	Shim	2	1mm		
24	H255303400	O-Ring	O-Ring	2			
25	H345303400	O-Ring	O-Ring	2			
28	N01/0381418	A.K.B. Cıvata	Bolt, Hex.	1	M16x150		
29	N01/0381430	A.K.B. Cıvata	Bolt, Hex.	3	M16x160		
30	N02/3570314	A.K. Somun	Nut, Hex.	8	M16		
33	H255002800	Şim	Shim	2	1mm		

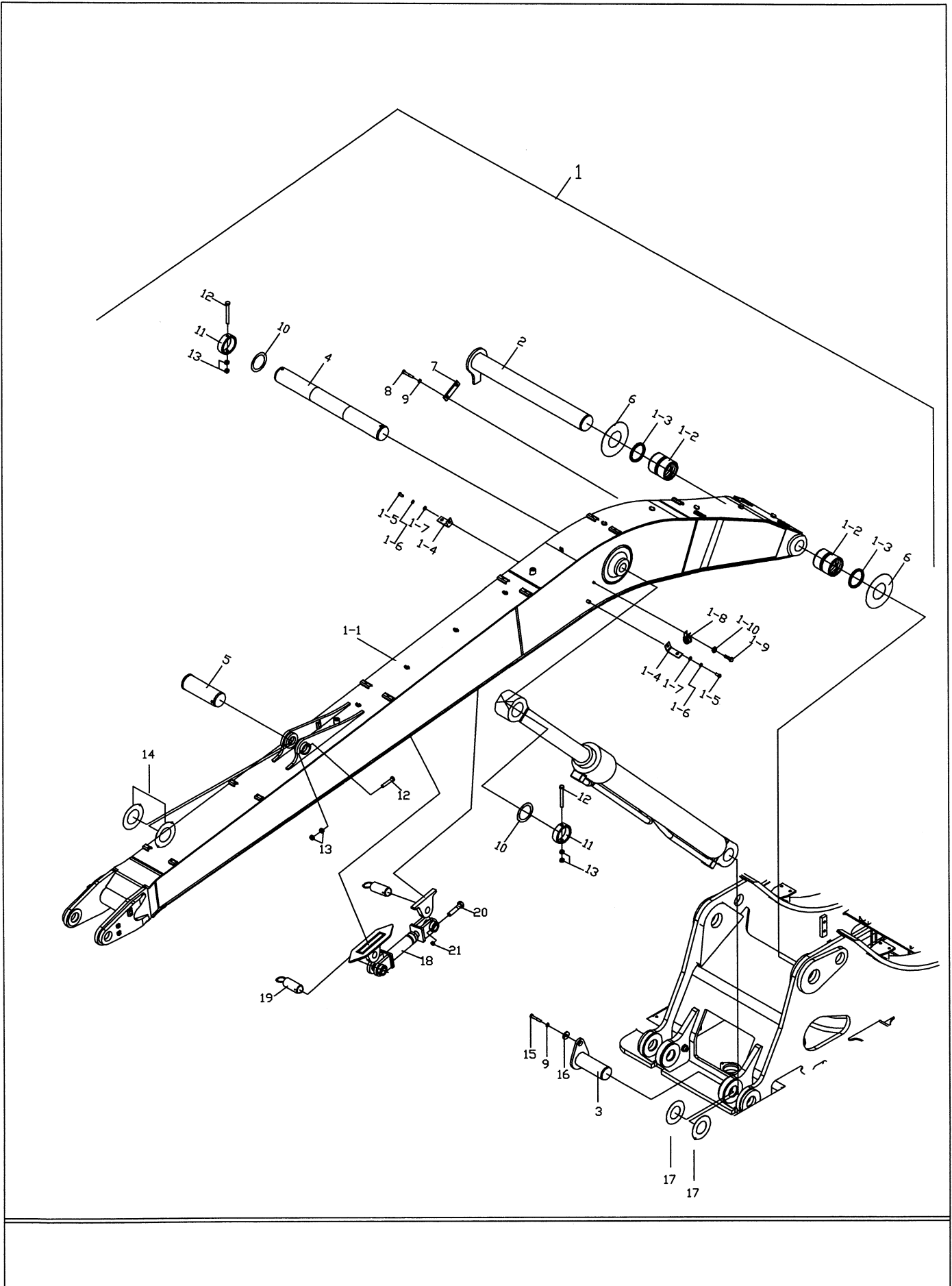
ÇALIŞMA ATAÇMANLARI KONTROLÜ-(OP)-LR
WORKING ATTACHMENT CONTROL-(OP)-LR



ÇALIŞMA ATAÇMANLARI KONTROLÜ-(OP)-LR
WORKING ATTACHMENT CONTROL-(OP)-LR

No No	Parça No Part No	Adı Description	Adet Q'ty	Not Note	Seri No Serial No	Y. Kul. S.K. ICA S.C.
1	H205400400	PALET MONTAJI	LINK ASS'Y	1		
1-1	H205400501	PALET K.M	PALET W.A	1		
1-2	H345203701	SERT BURÇ	BUSHING	2		
1-3	H205401200	SERT BURÇ	BUSHING	2		
1-4	N10/5708505	TOZ KEÇESİ	SEAL, DUST	6		
1-5	N08/1110000	GRESÖRLÜK	GREASE, NIPPLE	3		
2	H205400200	DESTEK KOLU, SAĞ	YOKE W.A, RIGHT	1		
3	H205400100	DESTEK KOLU, SOL	YOKE W.A, LEFT	1		
4	H205001300	PİM	PIN	1		
5	H205002300	ŞİM	SHIM	2		
6	N01/0381406	CIVATA	BOLT	4	M16x140,	
7	N02/3570314	SOMUN	NUT	8	M16	
8	H205001600	PİM	PIN	1		
9	H345001601	ŞİM	SHIM	2		
10	H205001500	PİM	PIN	1		
11	H205002500	ŞİM	SHIM	2		
12	H205003400	O-RİNG	O-RING	2		
13	H205001400	PİM	PIN	1		
14	H205002400	ŞİM	SHIM	2		
15	H345002100	O-RİNG	O-RING	2		

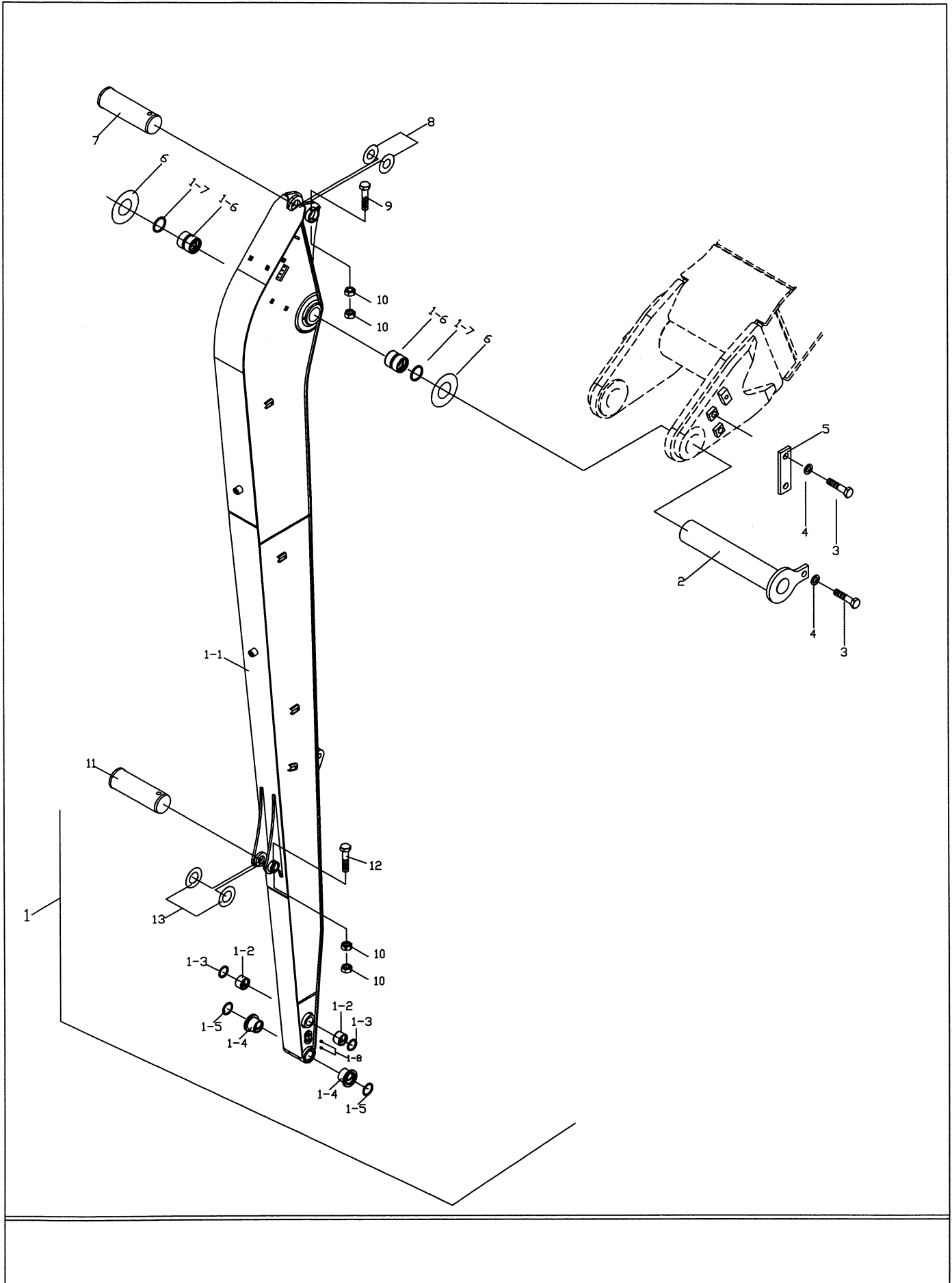
ANA BOM MONTAJI-(OP)-LR BOOM MOUNTING-(OP)-LR



ANA BOM MONTAJI-(OP)-LR
BOOM MOUNTING-(OP)-LR

No No	Parça No Part No	Adı	Description	Adet Q'ty	Not Note	Seri No Serial No	Y. Kul. S.K. ICA S.C.
1	H255500100	ANA BOM MONT.	BOOM ASS'Y	1		9125512, 9125514	
	H255500101	ANA BOM MONT.	BOOM ASS'Y	1			
1_1	H255500200	ANA BOM K.M	BOOM W.A	1		9125512, 9125514	
	H255500201	ANA BOM K.M	BOOM W.A	1			
1_2	H255104000	SERT BURÇ	BUSHING	2			
1_3	N10/5911010	TOZ KEÇESİ	SEAL, DUST	2			
1_4	H345104700	BAĞLANTI LAMASI, ÇALIŞMA LAMBASI	PLATE, WORK LAMB	2			
1_5	N01/0232846	A.K.B. CIVATA	BOLT, HEX	2	M12x30		
1_6	N03/1310012	YAYLI RONDELA	WASHER, SPR	2	M12		
1_7	N03/0100023	PUL	WASHER, PLN	2	M12		
1_8	N07/7010908	KELEPÇE, TİTR. EM	CLAMP, VIBR. CUT	2			
1_9	N01/0222078	A.K.B. Civata	Bolt, Hex	2	M8x15		
1_10	N03/1310010	Yaylı Rondela	Washer, Pln.	2	M8		
2	H255000100	PİM	PIN	1			
3	H255000400	PİM	PIN	2			
4	H255000700	PİM	PIN	1			
5	H255000800	PİM	PIN	1			
6	H255002000	ŞİM	SHIM	2	2 mm		
7	H345000500	PİM SABİT. LAMASI	PLATE, PIN FIXING	2			
8	N01/0381226	A.K.B. CIVATA	BOLT, HEX	2	M16x50		
9	N03/1310014	YAYLI RONDELA	WASHER, SPR	4	M16		
10	H255002200	ŞİM	SHIM	2	1 mm		
11	H255103900	SABİTLEME BİLEZİĞİ	COLLAR, FIXING	2			
12	N01/0381430	A.K.B. CIVATA	BOLT, HEX	3	M16x160		
13	N02/3570314	A.K. SOMUN	NUT, HEX	6	M16		
14	H255002300	ŞİM	SHIM	2	1 mm		
15	N01/0233530	A.K.B. CIVATA	BOLT, HEX	2	M16x25		
16	H345002700	DESTEK PULU	WASHER	2			
17	H255002700	ŞİM	SHIM	4	0,5 mm		
18	H255509900	BAĞLANTI KOLU	FIXING BAR	1			
19	H255509500	PİM K.M	PIN W.A	2			
20	N01/0232282	CIVATA	BOLT	2	M8x80		
21	N02/5900062	SOMUN	NUT	2	M8		

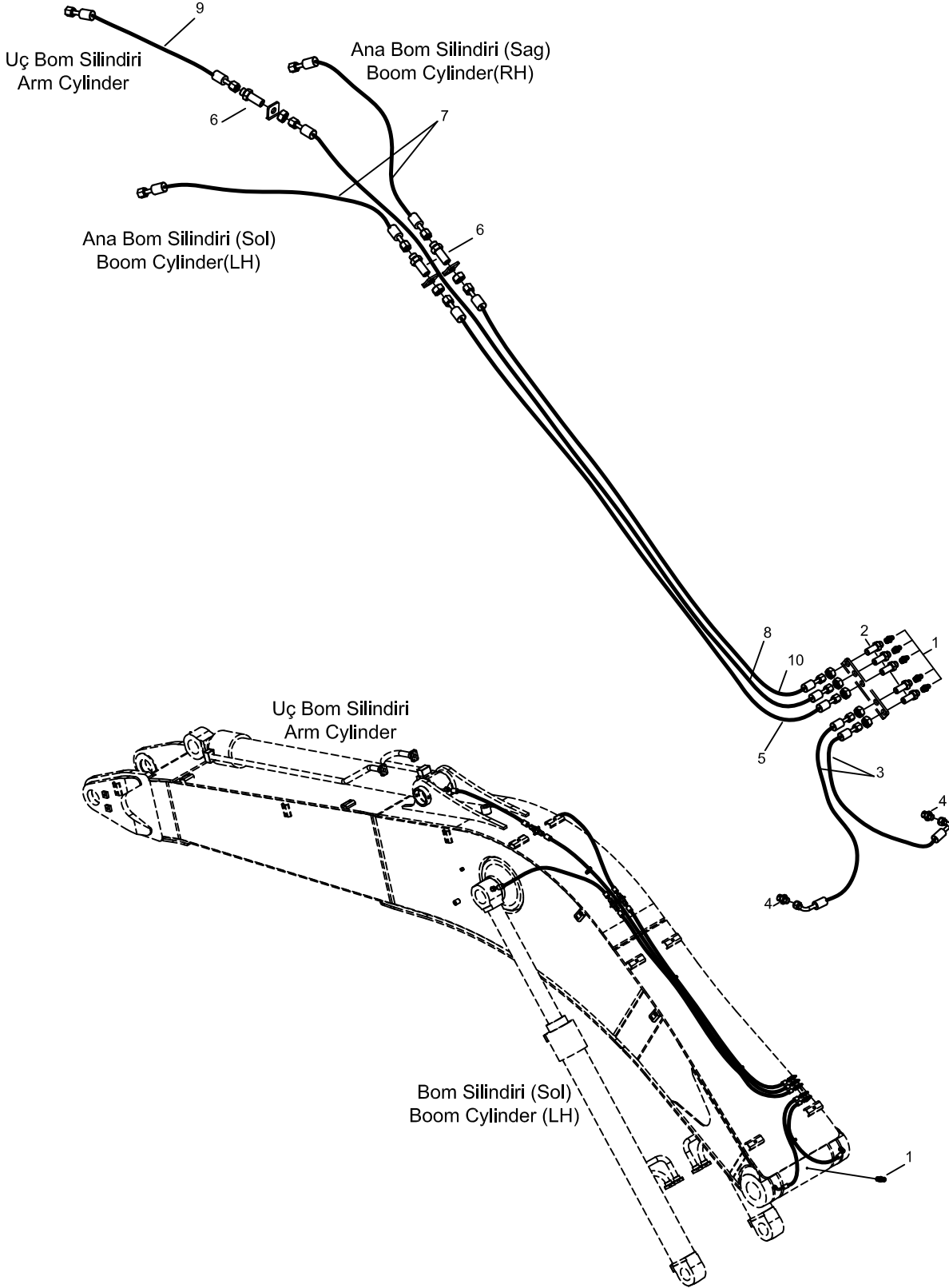
UÇ BOM MONTAJI-(OP)-LR ARM MOUNTING-(OP)-LR



UÇ BOM MONTAJI-(OP)-LR
ARM MOUNTING-(OP)-LR

No No	Parça No Part No	Adı	Description	Adet Q'ty	Not Note	Seri No Serial No	Y. Kul. S.K. ICA S.C.
1	H255505000	UÇ BOM MONTAJI	ARM MOUNTING	1		9125512, 9125514	
	H255505001	UÇ BOM MONTAJI	ARM MOUNTING	1			
1_1	H255505100	UÇ BOM K.M	ARM W.A	1		9125512, 9125514	
	H255505101	UÇ BOM K.M	ARM W.A	1			
1_2	H205203900	SERT BURÇ	BUSHING	2			
1_3	N10/5658005	TOZ KEÇESİ	SEAL, DUST	2			
1_4	H205204000	SERT BURÇ	BUSHING	2			
1_5	N10/5708505	TOZ KEÇESİ	SEAL, DUST	2			
1_6	H255203400	SERT BURÇ	BUSHING	2			
1_7	N10/5911010	TOZ KEÇESİ	SEAL, DUST	2			
1_8	N08/1110000	GRESÖRLÜK	GREASE NIPPLE	2			
2	H255000900	PİM	PIN	1			
3	N01/0233530	A.K.B. CİVATA	BOLT, HEX	2	M16x25		
4	N03/1310014	YAYLI RONDELA	WASHER, SPRING	2			
5	H345000500	PİM SABİT. LAMASI	PLATE, FIXING	1			
6	H255002400	ŞİM	SHIM	2	1 mm		
7	H255000800	PİM	PIN	1			
8	H255002300	ŞİM	SHIM	2	1 mm		
9	N01/0381430	A.K.B. CİVATA	BOLT, HEX		M16x160		
10	N02/3570314	A.K. SOMUN	NUT, HEX		M16		
11	H205001200	PİM	PIN	1			
12	N01/0381406	A.K.B CİVATA	BOLT, HEX	1	M16x140		
13	H345001601	ŞİM	SHIM	2	1mm		

YAĞLAMA DONANIMI MONTAJI LUBRICATION PIPING MOUNTING

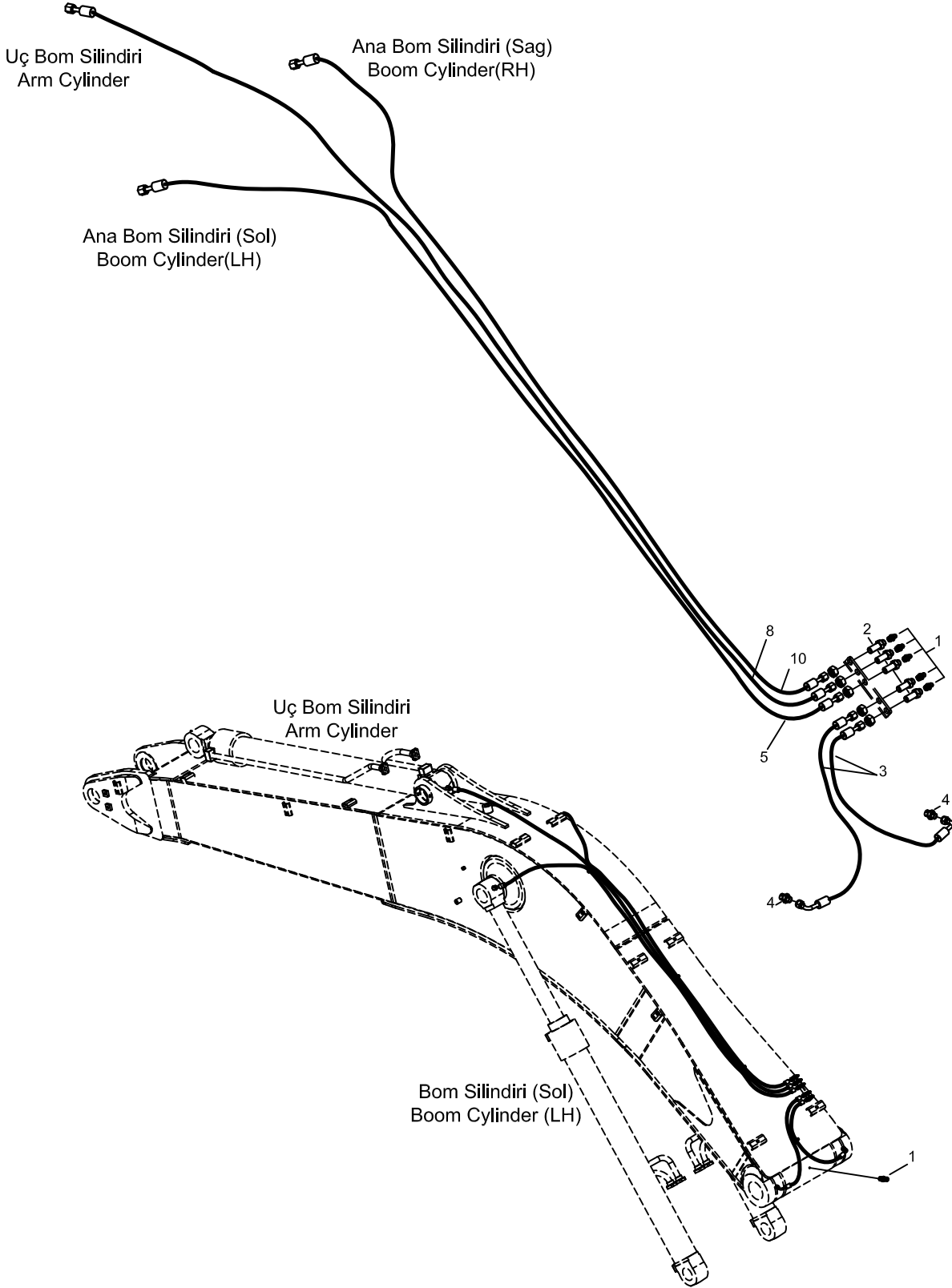


NOT: Bu görüntü 5125001-7125177 seri nolu makineler için geçerlidir.
NOTE: This view is valid for 5125001-7125177 serial number machines.

YAĞLAMA DONANIMI MONTAJI
LUBRICATION PIPING MOUNTING

No	Parça No	Adı	Description	Adet	Not	Seri No	Y. Kul. S.K.
No	Part No			Q'ty	Note	Serial No	ICA S.C.
1	N08/1110000	Gresörlük, Düz	Nipple, Grease	6			
2	H343011300	Nipel	Connector	5			
3	97Q091217	Hortum Kompleksi	Hose Ass'y	2			
4	N16/K440301	Nipel	Connector	2			
5	97N091237	Hortum Kompleksi	Hose Ass'y	1		5125001-7125177	D
6	N16/K200301	Rekor	Connector	3		5125001-7125177	
7	97N091218	Hortum Kompleksi	Hose Ass'y	2		5125001-6125008	D
	97N091224	Hortum Kompleksi	Hose Ass'y	2		6125009-7125177	D
8	97N091252	Hortum Kompleksi	Hose Ass'y	1		5125001-7125177	D
9	97N091218	Hortum Kompleksi	Hose Ass'y	1		5125001-7125177	
10	97N091242	Hortum Kompleksi	Hose Ass'y	1		5125001-6125008	D
	97N091235	Hortum Kompleksi	Hose Ass'y	1		6125009-7125177	D

YAĞLAMA DONANIMI MONTAJI LUBRICATION PIPING MOUNTING

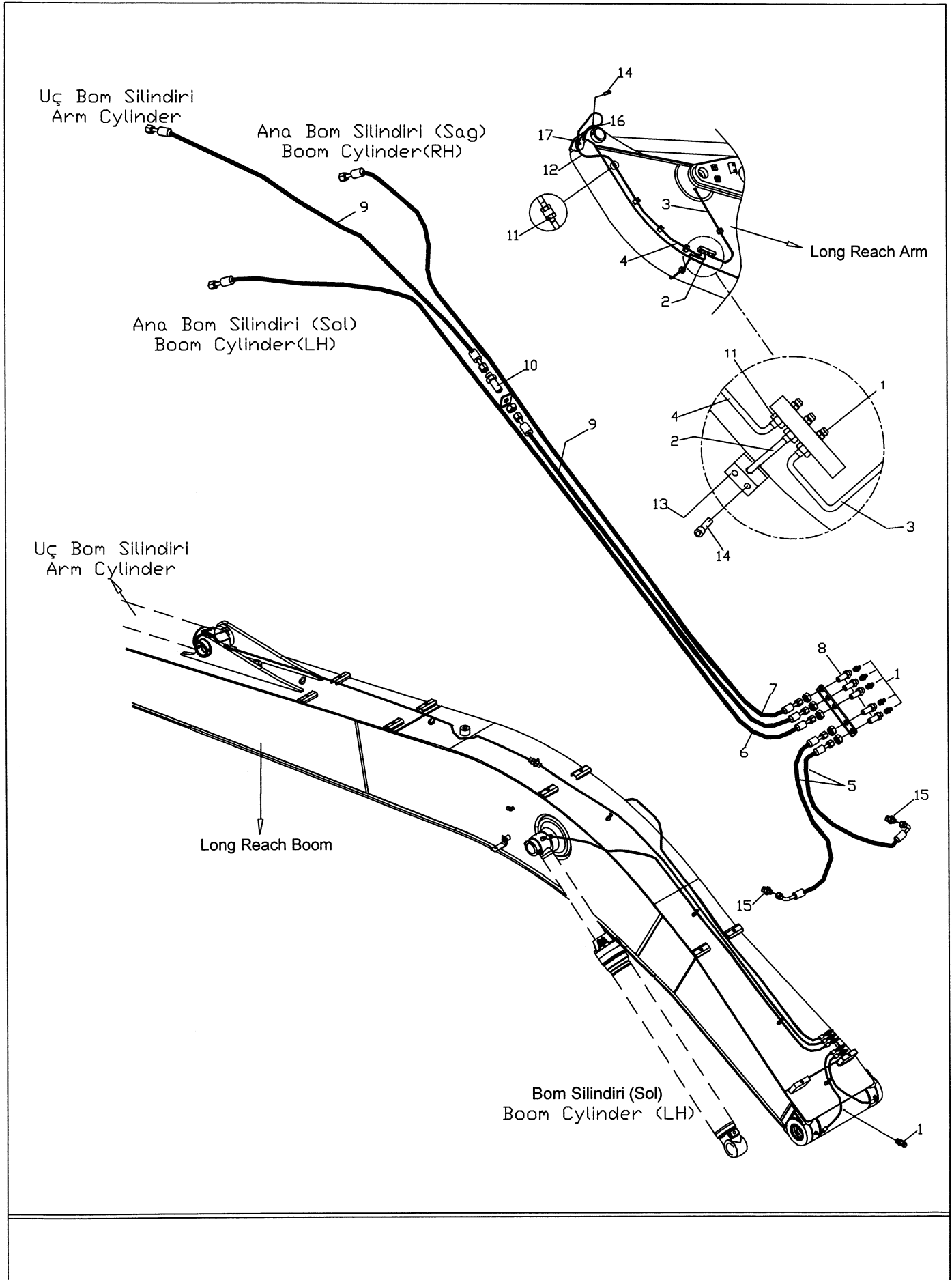


NOT: Bu görüntü 7125178 seri nolu makineden itibaren geçerlidir.
NOTE: This view is valid from 7125178 serial number machine.

YAĞLAMA DONANIMI MONTAJI
LUBRICATION PIPING MOUNTING

No	Parça No	Adı	Adet	Not	Seri No	Y. Kul. S.K.
No	Part No	Description	Q'ty	Note	Serial No	ICA S.C.
1	N08/1110000	Gresörlük, Düz	Nipple, Grease	6		
2	H343011300	Nipel	Connector	5		
3	97Q091217	Hortum Kompleksi	Hose Ass'y	2		
4	N16/K440301	Nipel	Connector	2		
5	97N091261	Hortum Kompleksi	Hose Ass'y	1	7125178-	D
8	97N091270	Hortum Kompleksi	Hose Ass'y	1	7125178-	D
10	97N091259	Hortum Kompleksi	Hose Ass'y	1	7125178-	D

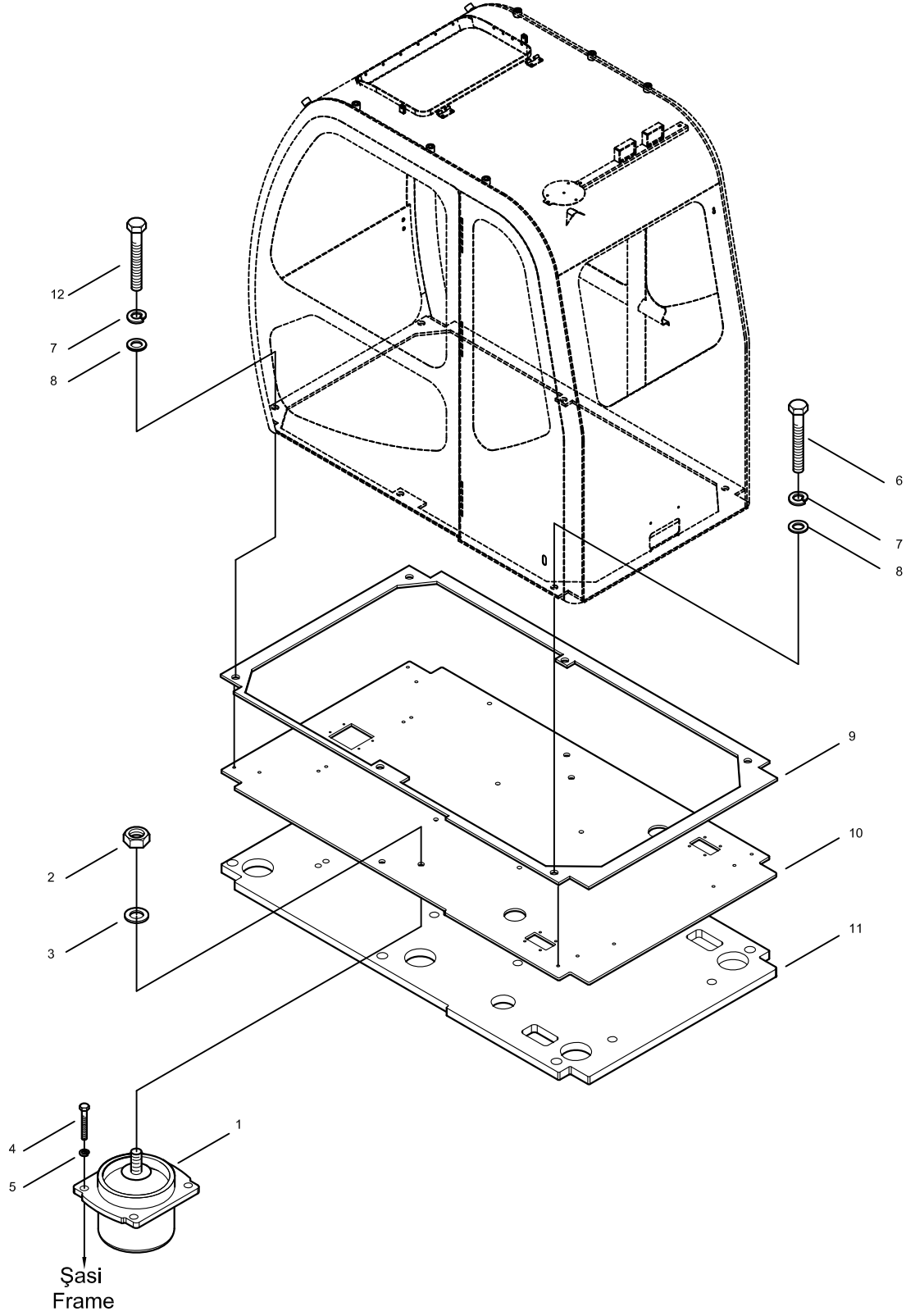
**YAĞLAMA DONANIMI-(OP)-LR
LUBRICATION PIPING-(OP)-LR**



YAĞLAMA DONANIMI-(OP)-LR
LUBRICATION PIPING-(OP)-LR

No	Parça No	Adı	Description	Adet	Not	Seri No	Y. Kul. S.K.
No	Part No			Q'ty	Note	Serial No	ICA S.C.
1	N08/1110000	GRESÖRLÜK, DÜZ	NIPPLE, GREASE	9			
2	H255810100	GRES BORUSU	PIPE, GREASE	1			
3	H255810200	GRES BORUSU	PIPE, GREASE	1			
4	H255810300	GRES BORUSU	PIPE, GREASE	1			
5	97Q091214	HORTUM KOMPLESİ	HOSE ASS'Y	2			
6	97N091255	HORTUM KOMPLESİ	HOSE ASS'Y	1			
7	97N091253	HORTUM KOMPLESİ	HOSE ASS'Y	1			
8	H343011300	NİPEL	NIPPLE	5			
9	97N091278	HORTUM KOMPLESİ	HOSE ASS'Y	2			
10	N16/K200301	REKOR	CONNECTOR	1			
11	H345800700	REKOR KOMPLESİ	CONNECTOR ASS'Y	6			
12	99Q398216	HORTUM KOMPLESİ	HOSE ASS'Y	1			
13	N07/2016005	KELEPÇE GÖVDESİ	CLAMP	12			
14	N01/5870316	CİVATA	BOLT	24	M6x20		
15	N16/K440301	NİPEL	NIPPLE	1			
16	N07/2016003	KELEPÇE GÖVDESİ	CLAMP	2			
17	H345801100	DİRSEK KOMPLESİ	ELBOW	1			

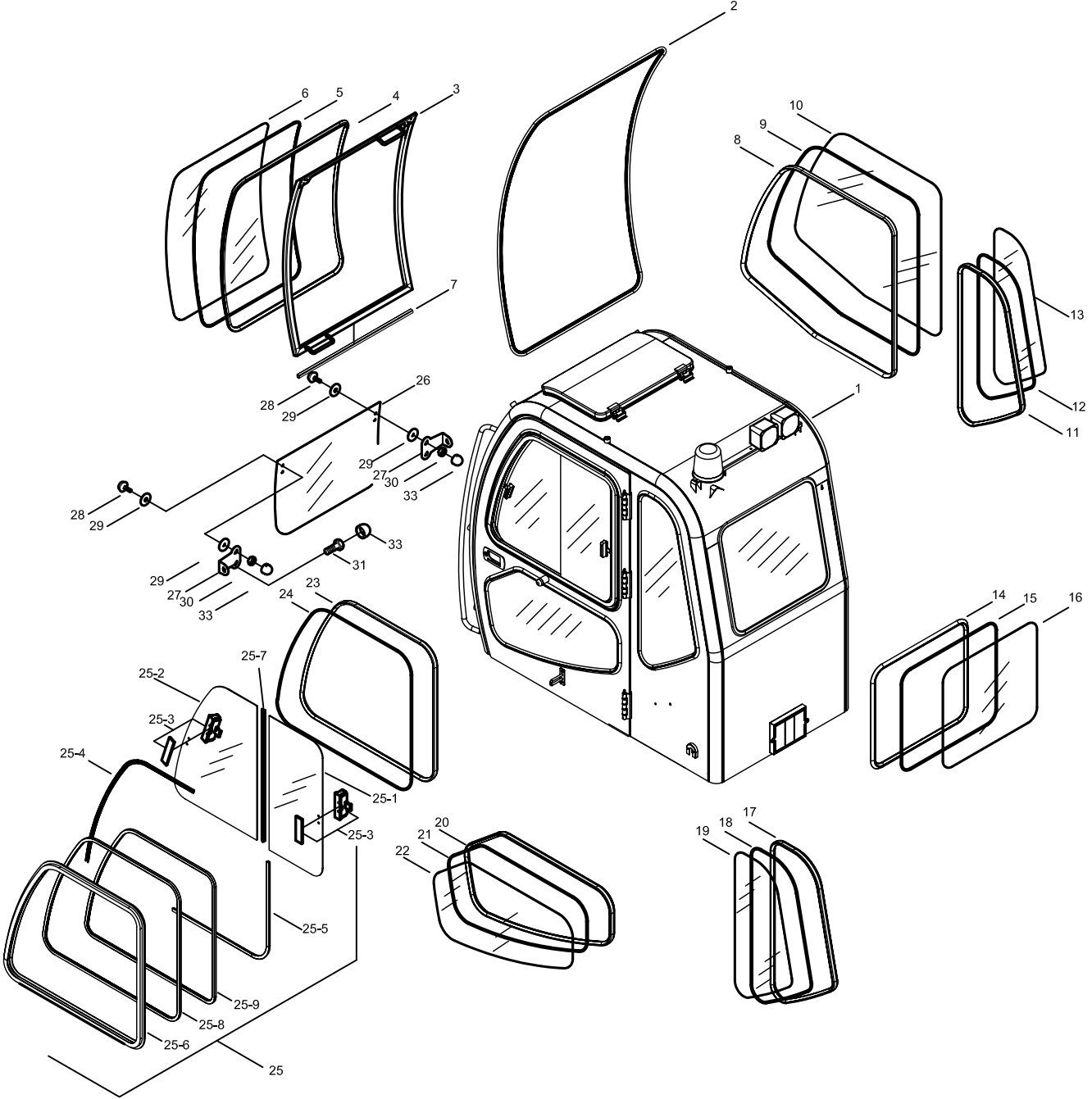
KABİN MONTAJI CAB MOUNTING



KABİN MONTAJI CAB MOUNTING

No	Parça No	Adı	Description	Adet	Not	Seri No	Y. Kul. S.K.
No	Part No			Q'ty	Note	Serial No	ICA S.C.
1	H346200201	Kabin Takozu	Support, Cab	6			
2	N02/5900182	Somun, Fiberli	Nut	6	M16		
3	N03/0100027	Pul	Washer, Pln.	6	M16		
4	N01/0232462	A.K.B. Civata	Bolt, Hex.	24	M10x25		
5	N03/1310011	Yaylı Rondela	Washer, Spr.	24	M10		
6	N01/0381226	A.K.B. Civata	Bolt, Hex.	4	M16x50		
7	N03/1310014	Yaylı Rondela	Washer, Spr.	6	M16		
8	N03/0100027	Pul	Washer, Pln.	6	M16		
9	H346100402	Sönümleyici	Sheet, Damping	1			
10	H346100202	Taban Sacı K.M.	Floor Plate W.A.	1		5125001-7125178	D
	H346100204	Taban Sacı K.M.	Floor Plate W.A.	1		9125001-	D
11	H346100302	Yalıtıcı, Taban Sacı	Sponge, Floor Plate	1			
12	N01/0391262	A.K.B. Civata	Bolt, Hex.	2	M16X65		

KABİN (1) CAB (1)

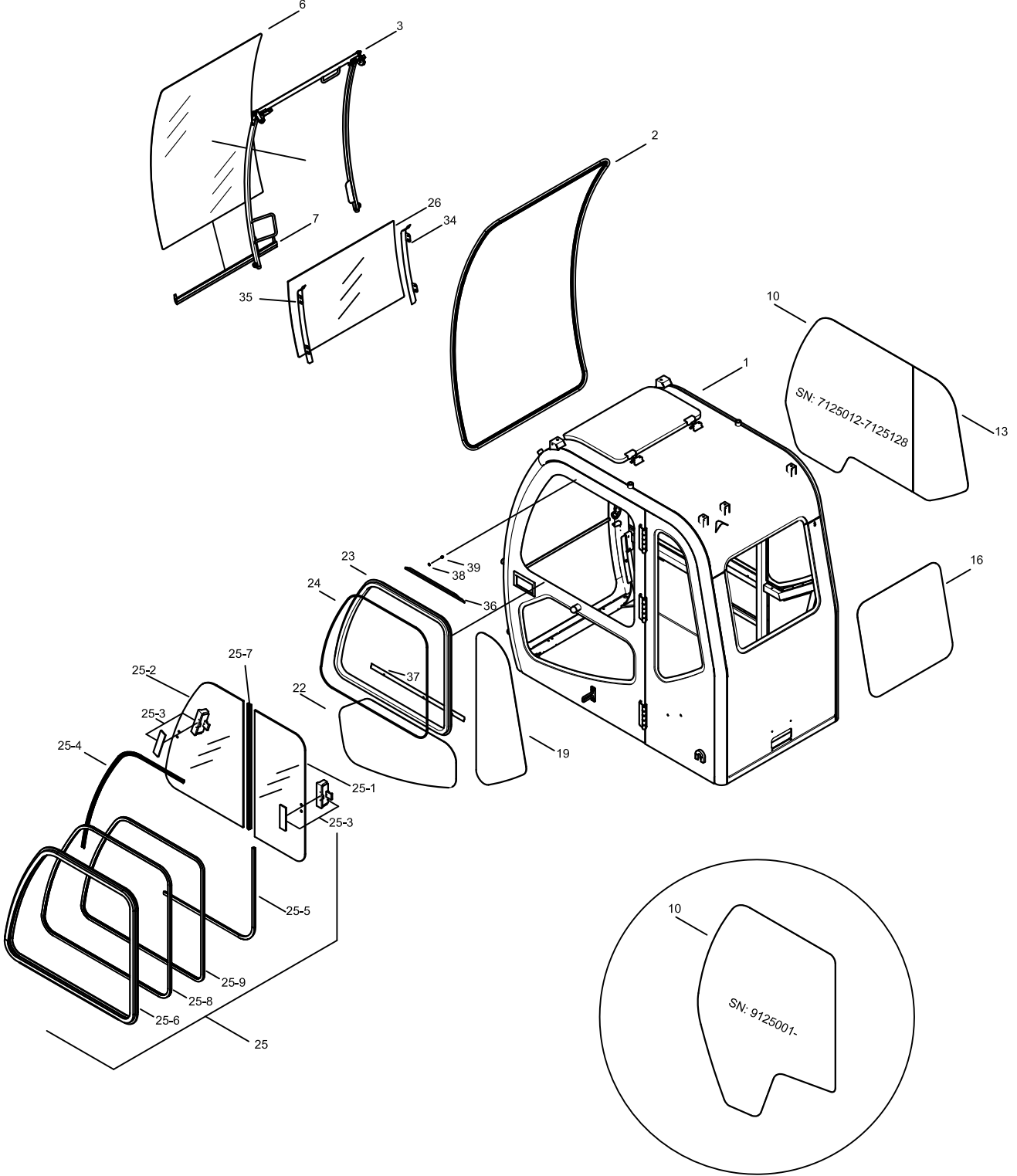


NOT: Bu görüntü 5125001-7125011 seri nolu makineler için geçerlidir.
NOTE: This view is valid for 5125001-7125011 serial number machines.

KABİN (1) CAB (1)

No	Parça No	Adı	Description	Adet	Not	Seri No	Y. Kul. S.K.
No	Part No			Q'ty	Note	Serial No	ICA S.C.
	H346000203	Kabin Montajı	Cab Ass'y	1		5125001-7125011	D
1	H346020102	Kabin K.M.	Cab, W.A.	1		5125001-7125011	D
2	H346047600	Fıtıl, Yandan Körüklü	Weather Strip	1		5125001-7125011	D
3	H346046100	Çerçeve, Ön Cam	Sash, Front Glass	1		5125001-7125011	D
4	H346047300	Fıtıl, Cam	Weather Strip, Glass	1		5125001-7125011	
5	H346047400	Segman, Cam Fıtılı	Retaining Rub., Wtr Str	1		5125001-7125011	
6	H346047701	Ön Çerçeve Camı	Glass, Front	1		5125001-7125011	D
7	H346047500	Ön Çer. Toz Lastiği	Rubber	1		5125001-7125011	D
8	H346040900	Fıtıl, Cam	Weather Strip, Glass	1		5125001-7125011	
9	H346041000	Segman, Cam Fıtılı	Retaining Rub., Wtr Str	1		5125001-7125011	
10	H346040800	Cam, Sağ, Ön	Glass, R/H, Front	1		5125001-7125011	D
11	H346040600	Fıtıl, Cam	Weather Strip, Glass	1		5125001-7125011	
12	H346040700	Segman, Cam Fıtılı	Retaining Rub., Wtr Str	1		5125001-7125011	
13	H346040500	Cam, Sağ, Arka	Glass, R/H, Back	1		5125001-7125011	D
14	H346040300	Fıtıl, Cam	Weather Strip, Glass	1		5125001-7125011	
15	H346040400	Segman, Cam Fıtılı	Retaining Rub., Wtr Str	1		5125001-7125011	
16	H346040200	Cam, Arka	Glass, Back	1		5125001-7125011	D
17	H346041200	Fıtıl, Cam	Weather Strip, Glass	1		5125001-7125011	
18	H346041300	Segman, Cam Fıtılı	Retaining Rub., Wtr Str	1		5125001-7125011	
19	H346041100	Cam, Sol, Arka	Glass, L/H, Back	1		5125001-7125011	D
20	H346045600	Fıtıl, Cam	Weather Strip, Glass	1		5125001-7125011	
21	H346045700	Segman, Cam Fıtılı	Retaining Rub., Wtr Str	1		5125001-7125011	
22	H346044900	Kapı Alt Camı	Glass, Door, Bottom	1		5125001-7125011	D
23	H346044400	Fıtıl, Cam	Weather Strip, Glass	1			
24	H346044500	Segman, Cam Fıtılı	Retaining Rub., Wtr Str	1			
25	H346044600	Çerçeve Komp., Kapı	Sash Ass'y, Door	1			
25_1	H346044701	Cam, Kapı, Üst	Glass, Door	1			
25_2	H346044801	Cam, Kapı, Üst	Glass, Door	1			
25_3	H346045500	Kulp	Handle	2			
25_4	H346063900	Fıtıl, Dış, Arka	Weather Strip, Out., RR		790+10mm		
25_5	H346063800	Fıtıl, İç, Ön	Weather Strip, In., FR		1150+10mm		
25_6	H346045900	Çerçeve, Kapı Camı	Sash, Door Glass	1			
25_7	H346064000	Fıtıl, Ara	Weather Strip, Middle		758mm		
25_8	H346064100	Fıtıl, Dış	Weather Strip, Out.		2140+10mm		
25_9	H346064200	Fıtıl, İç	Weather Strip, In.		1810+10mm		
26	H346039400	Ön Alt Cam	Glass, Front, Bottom	1		5125001-7125011	D
27	H346039500	Bağ. Kulağı, Alt Cam	Con. Plate, Bot.Glass	2		5125001-7125011	
28	N01/0000008	Cam Bağlantı Civatası	Bolt, Glass Conn.	4	M8x30	5125001-7125011	
29	810/40046	Yumuşak Plastik Pul	Washer, Pln., Rubber	8		5125001-7125011	
30	N02/5900062	Fiberli Somun	Nut	4	M8	5125001-7125011	
31	N01/0222114	A.K.B. Civata	Nut, Hex.	2	M8x20	5125001-7125011	
33	814/00155	Civata Kapağı	Cover, Bolt	6		5125001-7125011	

KABİN (1) CAB (1)

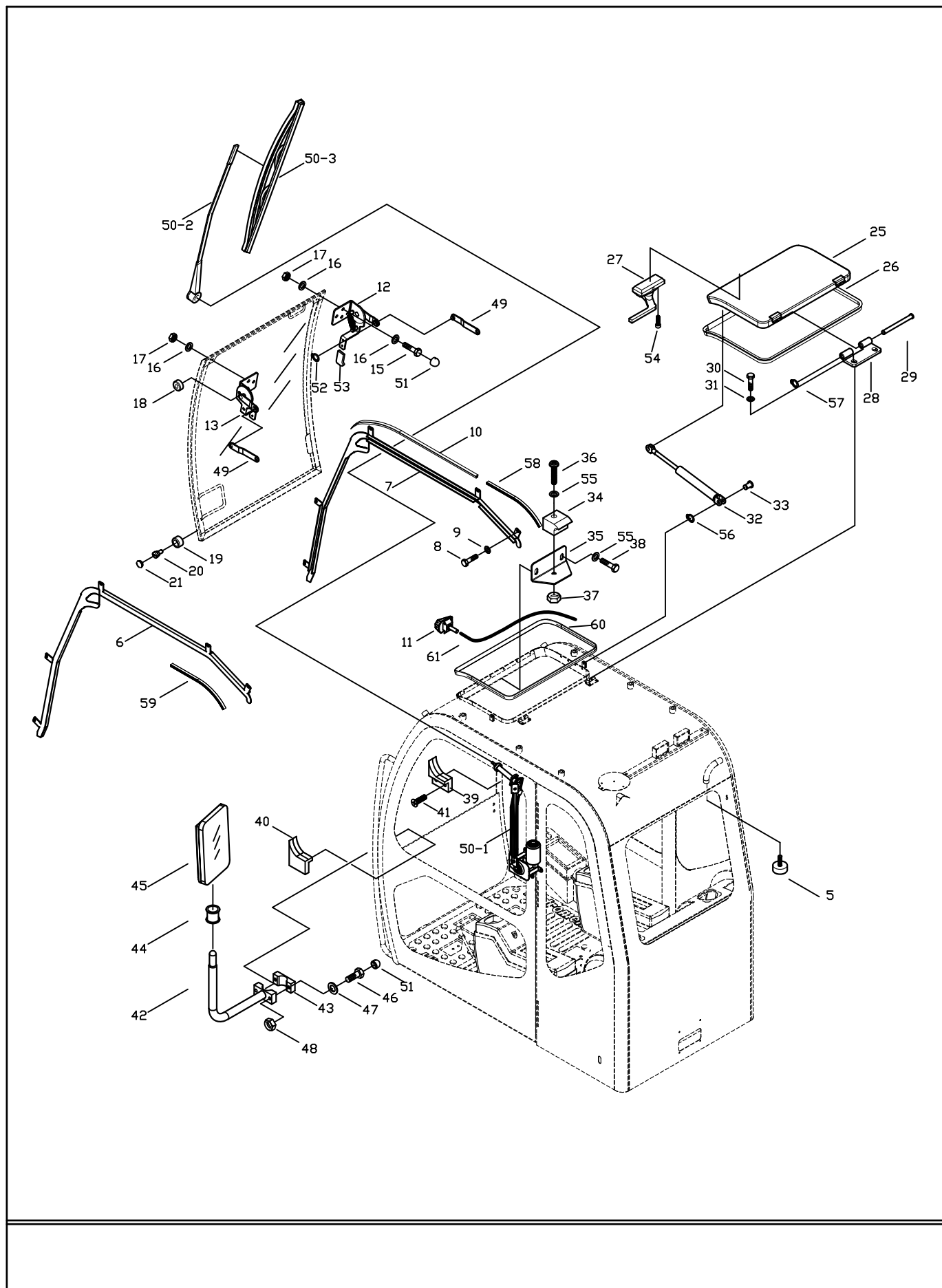


NOT: Bu görüntü 7125012- seri nolu makineden itibaren geçerlidir.
NOTE: This view is valid from 7125012- serial number machine.

KABİN (1) CAB (1)

No	Parça No	Adı	Description	Adet	Not	Seri No	Y. Kul. S.K.
No	Part No			Q'ty	Note	Serial No	ICA S.C.
	H346000204	Kabin Montajı	Cab Ass'y	1		7125012-7125128	D
	H346000205	Kabin Montajı	Cab Ass'y	1		9125001-	C
1	H346020103	Kabin K.M.	Cab, W.A.	1		7125012-7125128	D
	H346020105	Kabin K.M.	Cab, W.A.			9125001-	D
2	H346047601	Fitil	Weather Strip	1		7125012-7125128	D
	H346047602	Fitil	Weather Strip	1		9125001-	D
3	H346046101	Çerçeve, Ön Cam	Sash, Front Glass	1		7125012-	D
6	H346047702	Ön Çerçeve Camı	Glass, Front	1		7125012-	D
7	H346047501	Ön Çer. Toz Lastiği	Rubber	1		7125012-	D
10	H346040801	Cam, Sağ, Ön	Glass, R/H, Front	1		7125012-7125128	D
	H346040802	Cam, Sağ, Ön	Glass, R/H, Front	1		9125001-	D
13	H346040501	Cam, Sağ, Arka	Glass, R/H, Back	1		7125012-	D
16	H346040201	Cam, Arka	Glass, Back	1		7125012-	D
19	H346041101	Cam, Sol, Arka	Glass, L/H, Back	1		7125012-	D
22	H346044901	Kapı Alt Camı	Glass, Door, Bottom	1		7125012-	D
23	H346044400	Fitil, Cam	Weather Strip, Glass	1			
24	H346044500	Segman, Cam Fitili	Retaining Rub., Wtr Str	1			
25	H346044600	Çerçeve Komp., Kapı	Sash Ass'y, Door	1			
25_1	H346044701	Cam, Kapı, Üst	Glass, Door	1			
25_2	H346044801	Cam, Kapı, Üst	Glass, Door	1			
25_3	H346045500	Kulp	Handle	2			
25_4	H346063900	Fitil, Dış, Arka	Weather Strip, Out., RR		790+10mm		
25_5	H346063800	Fitil, İç, Ön	Weather Strip, In., FR		1150+10mm		
25_6	H346045900	Çerçeve, Kapı Camı	Sash, Door Glass	1			
25_7	H346064000	Fitil, Ara	Weather Strip, Middle		758mm		
25_8	H346064100	Fitil, Dış	Weather Strip, Out.		2140+10mm		
25_9	H346064200	Fitil, İç	Weather Strip, In.		1810+10mm		
26	H346039401	Ön Alt Cam	Glass, Front, Bottom	1		7125012-	D
34	H346075300	Alt Cam Sacı, Sağ	Support, Glass, R	1		7125012-	D
35	H346075600	Alt Cam Sacı, Sol	Support, Glass, L			7125012-	D
36	H346075100	Z Takviye, Üst	Support, Sash, Upper	1		7125012-	D
37	H346075200	Z Takviye, Alt	Support, Sash, Lower	1		7125012-	D
38		Rondela	Washer	1		7125012-	D
39	N02/5630026	Somun	Nut	1	M6	7125012-	D

KABİN (2)
CAB (2)



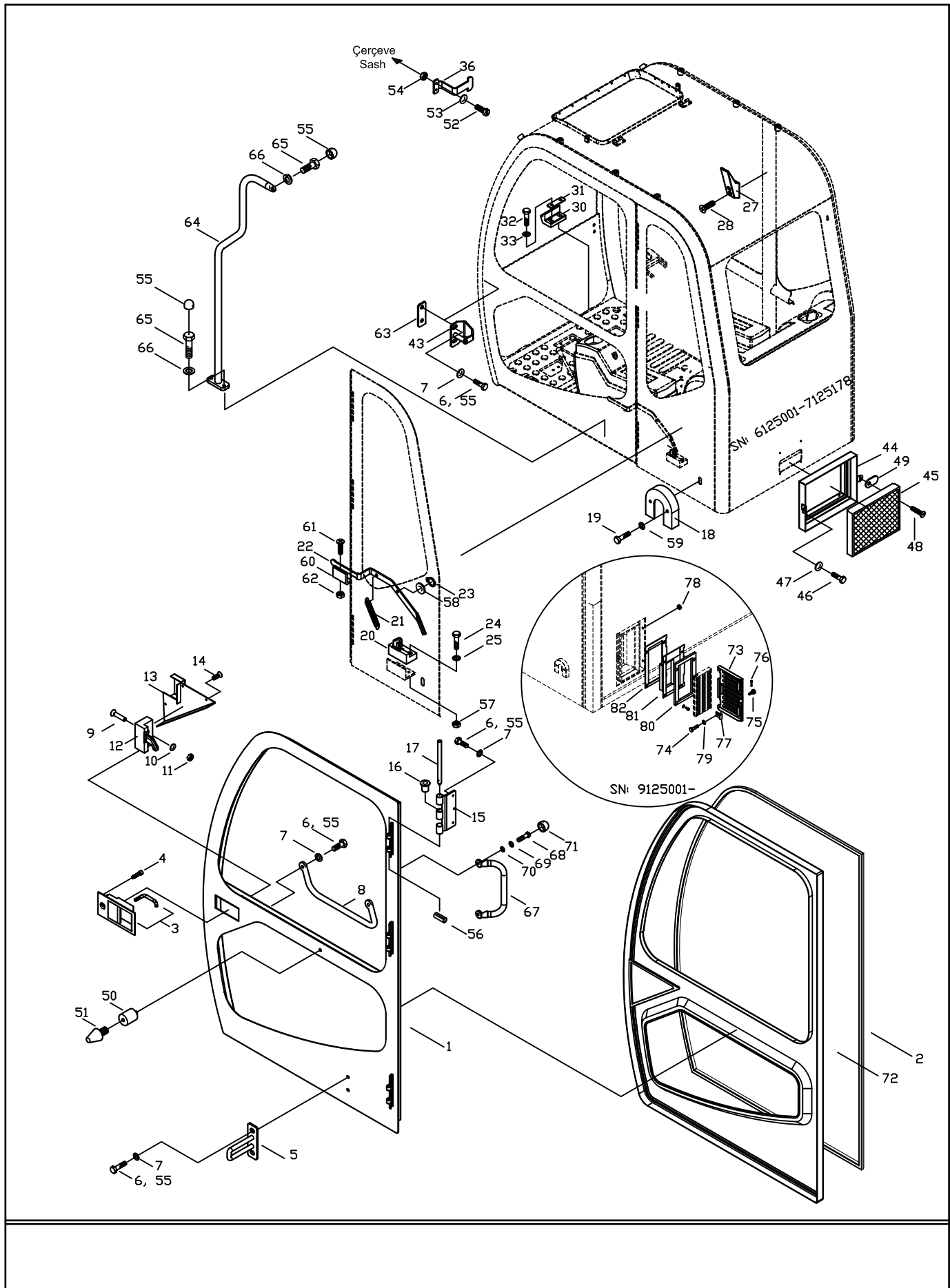
KABİN (2) CAB (2)

No	Parça No	Adı	Adet	Not	Seri No	Y. Kul. S.K.
No	Part No	Description	Q'ty	Note	Serial No	ICA S.C.
5	810/40057	Radyatör Takozu	2	M6		
6	H346054501	Çerçeve Rayı, Sol	1		5125001-7125011	D
	H346054502	Çerçeve Rayı, Sol	1		7125012-	D
7	H346052501	Çerçeve Rayı, Sağ	1		5125001-7125011	D
	H346052502	Çerçeve Rayı, Sağ	1		7125012-	D
8	N01/0221480	A.K.B. Civata	16	M6x15		
9	N03/0090013	Pul	16	M6		
10	H346053200	Dolgu Lastiği, Sağ Ön	1			
11	F32/10565	Fıskiye Memesi	1			
12	H346048000	Çer. Mekanizması	1		5125001-7125011	D
	H346048001	Çer. Mekanizması	1		7125012-	D
13	H346049700	Çer. Mekanizması	1		5125001-7125011	D
	H346049701	Çer. Mekanizması	1		7125012-	D
15	N01/0222078	A.K.B. Civata	6	M8x15		
16	N02/0020011	Pul	12	M8		
17	N02/5900062	Fiberli Somun	6	M8		
18	H346050900	Çerçeve Tekerı, Üst	2			
19	H346048100	Çerçeve Tekerı, Alt	2			
20	H346048200	Teker Sıkma Civatası	2			
21	H346048300	Teker Tahtid Tapası	2			
25	H346051101	Tavan Kapağı, K.M.	1			
26	H346052101	Fıtıl, Üstten Körüklü	1			
27	H346052000	Cam Kulbu	1			
28	H346032300	Menteşe, Tavan Kap.	2			
29	H346051800	Menteşe Pimi	2			
30	N01/0221514	A.K.B. Civata	4	M6x20		
31	N03/0100013	Pul	4	M6		
32	H346037100	Amortisör,Tavan Kap.	2			
33	H346036600	Amortisör Bağ. Pimi	4			
34	H346037000	Cam Kulbu Karşılığı	1			
35	H346051900	Kulp Karşılığı Sacı	1			
36	N01/5870352	Inbus Civata	1	M6x30		
37	N02/3560158	A.K. Somun	1	M6		
38	N01/0221514	A.K.B. Civata	2	M6x20		
39	H346068600	Çerçeve Stoperi, Sağ	1			
40	H346068500	Çerçeve Stoperi, Sol	1			
41	N04/3701118	Y.H.B. Civata	4	M5x15		
42	H346062900	Ayna Kolu K.M.	1			
43	H346063100	Kelepçe, Ayna Kolu	1			
44	H346063200	Conta	1			
45	S91/00960	Yan Dikiz Aynası	1		5125001-7125167	D
	S91/00967	Yan Dikiz Aynası	1		7125168-	C
46	N01/0222114	A.K.B. Civata	2	M8x20		
47	N03/0100017	Pul	2	M8		

KABİN (2)**CAB (2)**

No	Parça No	Adı	Description	Adet	Not	Seri No	Y. Kul. S.K.
No	Part No			Q'ty	Note	Serial No	ICA S.C.
48	N02/3570182	Somun	Nut, Hex.	2	M8		
49	H346050600	Kilit Mafsalı, Büyük	Lock Joint	2			
50	H346065000	Ön Cam Silecek Sis.	W.Shield Wiper Sys.	1			
50_1	H349060001	Motor ve Braket Komp.	Group Motor & Link.	1			
50_2	H349060011	Silecek Kolu	Arm, Wiper	1			
50_3	H349060012	Silecek Süpürgesi	Blade, Wiper	1			
51	814/00155	Civata Kapağı	Cover, Bolt	8			
52	N05/0020015	Segman	Retaining Ring	2			
53	H346049800	Plastik Kılıf	Plastic Cover	2			
54	N01/5870302	Civata	Bolt	2	M6x15		
55	N03/0100013	Pul	Washer, Pln.	3	M6		
56	N05/0020009	Segman	Retaining Ring	2			
57	N05/0020007	Segman	Retaining Ring	2			
58	H346053300	Dolgu Las., Sağ Arka	Rubber, R/H, Rear	1			
59	H346053400	Dolgu Lastiği, Sol	Rubber, L/H	1			
60	H346052201	Fitul, Tavan	Weather Wiper	1			
61	H346065100	Hortum, Fıskiye	Hose, Wiper		L=4500mm		

KABİN (3)
CAB (3)



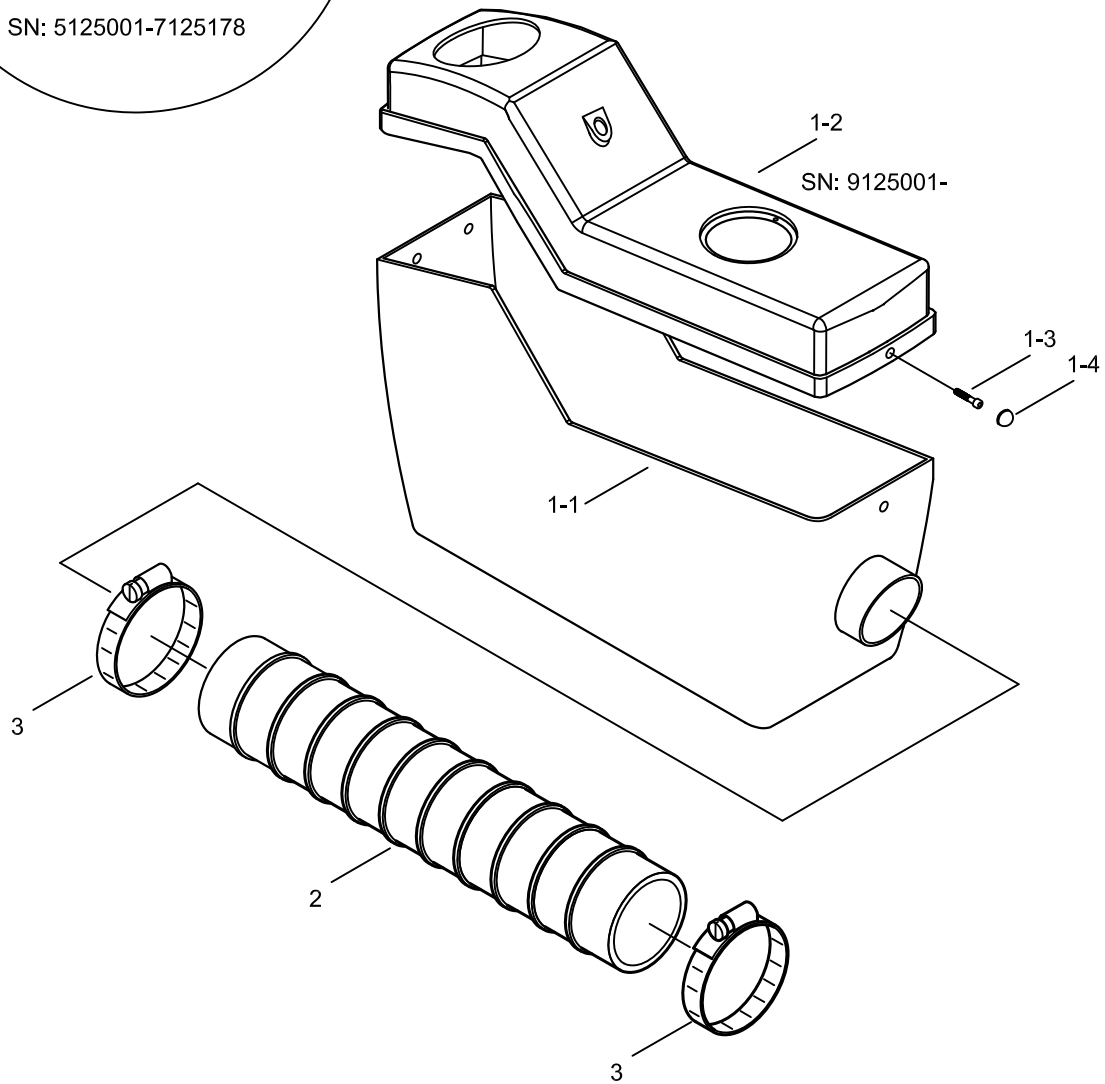
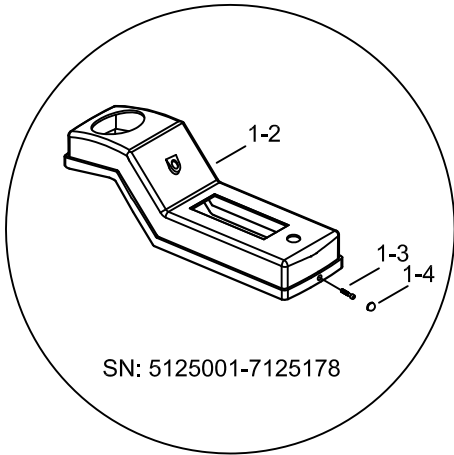
KABİN (3) CAB (3)

No	Parça No	Adı	Adet	Not	Seri No	Y. Kul. S.K.
No	Part No	Description	Q'ty	Note	Serial No	ICA S.C.
1	H346042102	Kapı, K.M.	1		5125001-7125011	D
	H346042103	Kapı, K.M.	1		7125012-	D
2	H346045000	Toz Lastiği, Kapı	1			
3	H346043802	Gömme Kilit	1			
4	N04/1672455	Silindirik Başlı Civata	1	M5x15		
5	H346045101	Geri Kilit Karşılığı	1			
6	N01/0222114	A.K.B. Civata	15	M8x20		
7	N03/0100017	Pul	15	M8		
8	H346044000	İç Çekme Kolu, Kapı	1			
9	N04/3701394	Havşa Başlı Civata	2	M6x40		
10	N03/0100013	Pul	2	M6		
11	N02/3570158	A.K. Somun	2	M6		
12	S91/00631	Kapı İç Kilidi	1			
13	H346044102	İç Kilit Kapama Sacı	1		5125001-7125011	D
	H346044103	İç Kilit Kapağı	1		7125012-	D
14	N04/9530350	Y.S.B. Civata	3	3.9x16		
15	H346031900	Menteşe	3			
16	810/40030	Plastik Burç	6			
17	H346045800	Menteşe, Pim	3			
18	H346062300	Muhafaza, Geri Kilit	1			
19	N04/1671838	Y.H.B. Civata	2	M5x15		
20	H346036401	Geri Kilit	1			
21	H346036300	Yay, Geri Kilit	1			
22	H346036001	Geri Kilit Açma Kolu	1			
23	N03/0020015	Segman	1			
24	N01/0232162	A.K.B. Civata	2	M8x30		
25	N02/0020011	Pul	2	M8		
27	F32/18690	Plastik Ceket Askısı	1			
28	N04/1150362	Y.S.B. Civata	2	3.9x19		
30	H346039001	Takoz, Ön Alt Cam	2			
31	H346039100	Bağlantı Pulu	2			
32	N01/0221538	A.K.B. Civata	4	M6x25		
33	N03/0100013	Pul	2	M6		
36	H346035401	Sviç Bağlama Sacı	1			
43	H346037400	Kilit Karşılığı Komp.	1			
44	H346034300	Filtre Kaset Sacı	1		6125001-7125178	
45	H346069000	Filtre Mont.	1		6125001-7125178	
46	N01/0221478	A.K.B. Civata	4	M6x15	6125001-7125178	
47	N03/0100013	Pul	4	M6	6125001-7125178	
48	N01/0000005	Vida	2	M5	6125001-7125178	
49	N03/0100011	Pul	2	M5	6125001-7125178	
50	H346045400	Takoz Bağlantı El.	1			
51	H346069600	Armut Takoz	1	M10		
52	N04/1671838	S.B. Civata	2	M5x12		

KABİN (3)
CAB (3)

No	Parça No	Adı	Adet	Not	Seri No	Y. Kul. S.K.
No	Part No	Description	Q'ty	Note	Serial No	ICA S.C.
53	N03/0100011	Pul	2	M5		
54	N02/3570146	Somun	2	M5		
55	814/00155	Civata Kapağı	3			
56	N15/6450958	Sıkma Kovanı	3			
57	N02/3570182	A.K. Somun	2	M8		
58	N03/0020018	Pul	1	M10		
59	N03/0100011	Pul	2	M5		
60	H346035900	Destek	1			
61	N04/3701118	Vida	1	M5x16		
62	N02/3570146	Somun	1	M5		
63	H346036701	Kilit Karşı. Bağ. Sacı	1			
64	H346035000	İç Tutunma Kolu	1			
65	N01/0222114	A.K.B. Civata	3	M10x25		
66	N03/0100017	Pul	3	M10		
67	H346073600	Boru, Kapı Çekme	1			
68	N01/0222114	A.K.B. Civata	2	M8x20		
69	N03/1310010	Yaylı Rondela	2	M8		
70	N03/0020111	Pul	2	M8		
71	814/00155	Civata Kapağı	2	M8		
72	H346120500	Kapak, Kapı	1		7125012-	
73	H346076800	Kapak, Dış Filtre	1		9134001-	
74	N01/0221514	Civata	2		9134001-	
75	H346044700	Tutamak	1		9134001-	
76	N06/1002015	Gupilya	1		9134001-	
77	H346078200	Menteşe	2		9134001-	
78	N02/3560158	Somun	2		9134001-	
79	N03/0090013	Pul	2		9134001-	
80	H346078100	Lastik	1		9134001-	
81	H346077600	Bağlantı Parçası	1		9134001-	
82	H346077500	Sünger	1		9134001-	

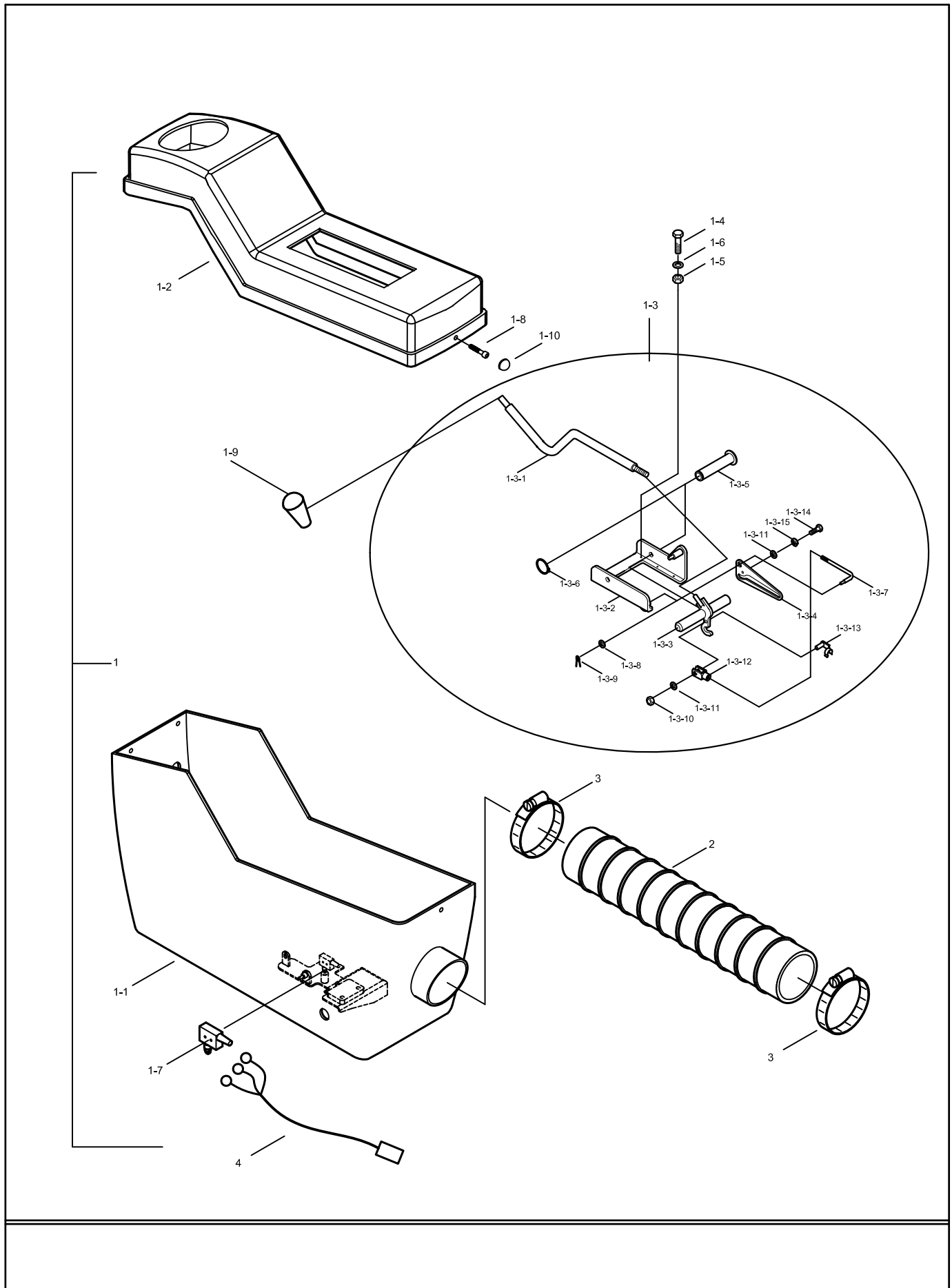
KONSOL KUTUSU (SAĞ) CONSOLE BOX (R/H)



KONSOL KUTUSU (SAĞ)
CONSOLE BOX (R/H)

No	Parça No	Adı	Description	Adet	Not	Seri No	Y. Kul. S.K.
No	Part No			Q'ty	Note	Serial No	ICA S.C.
1	H256103800	Konsol Montajı, Sağ	Console Box Ass'y,R/H	1		5125001-7125178	D
	H256103802	Konsol Montajı, Sağ	Console Box Ass'y,R/H	1		9125001-	D
1_1	H346103902	Gövde, Konsol, Sağ	Console, Bottom, R/H	1		5125001-7125011	D
	H346103903	Gövde, Konsol, Sağ	Console, Bottom, R/H	1		7125012-7125178	D
	H346103904	Gövde, Konsol, Sağ	Console, Bottom, R/H	1		9125001-	D
1_2	H256104000	Kapak, Konsol, Sağ	Console, Up, R/H	1		5125001-7125011	D
	H256104001	Kapak, Konsol, Sağ	Console, Up, R/H	1		7125012-7125178	D
	H256104002	Kapak, Konsol, Sağ	Console, Up, R/H	1		9125001-	D
1_3	N01/5870352	S.B. Civata	Bolt, Cylinder Head	6	M6X30	5125001-7125011	D
	N04/1671862	Vida	Screw	3	M5x16	7125012-	D
1_4	F99/15092	Plastik Kapak	Cover	3		7125012-	
2	H346106600	Hortum, Konsol	Hose, Console	1			
3	N07/4060080	Kelepçe	Clamp	2			

KONSOL KUTUSU (SOL) CONSOLE BOX (L/H)

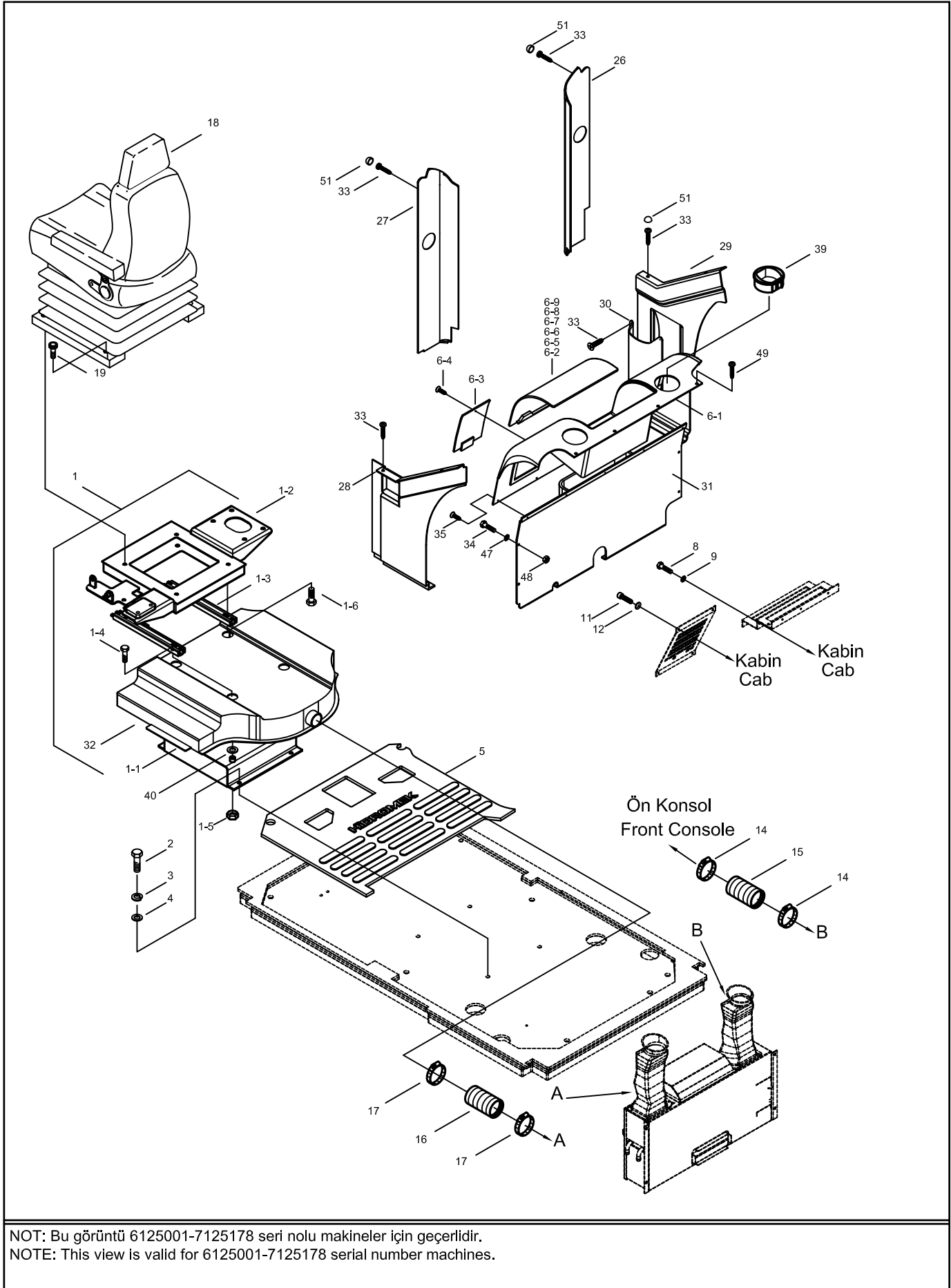


KONSOL KUTUSU (SOL)
CONSOLE BOX (L/H)

No No	Parça No Part No	Adı	Description	Adet Q'ty	Not Note	Seri No Serial No	Y. Kul. S.K. ICA S.C.
1	H346102001	Konsol Montajı, Sol	Console Box Ass'y,L/H	1		5125001-7125178	D
	H346102002	Konsol Montajı, Sol	Console Box Ass'y,L/H	1		9125001-	D
1_1	H346102101	Gövde,Konsol, Sol	Console, Bottom, L/H	1		5125001-7125011	D
	H346102102	Gövde,Konsol, Sol	Console, Bottom, L/H	1		7125012-7125178	D
	H346102103	Gövde,Konsol, Sol	Console, Bottom, L/H	1		9125001-	D
1_2	H346102203	Kapak,Konsol, Sol	Console, Up, L/H	1		5125001-7125011	D
	H346102204	Kapak,Konsol, Sol	Console, Up, L/H	1		7125012-7125178	D
	H346102205	Kapak,Konsol, Sol	Console, Up, L/H	1		9125001-	D
1_3	H346102300	Kilit Montajı	Safety Lever Ass'y	1			
_1	H346109001	Levye	Lever	1		5125001-7125011	D
	H346109002	Levye	Lever	1	*	7125012-	D
_2	H346114000	Mekanizma Yuvası K.M	Bracket	1			
_3	H346114500	Levye Kovanı K.M.	Lever Housing	1		5125001-7125011	D
	H346114501	Levye Kovanı K.M.	Lever Housing	1	*	7125012-	D
_4	H346115600	Kama	Key	1			
_5	H346115700	Levye Mili	Lever Shaft	1			
_6	N05/0760012	Segman	Retaining Ring	1			
_7	H346115800	Kama Kolu	Lever,Key	1			
_8	N03/0100013	Pul	Washer, Pln.	2	M6		
_9	N06/1001615	Gupilya	Pin Split	1			
_10	N02/3570182	A.K. Somun	Nut, Hex.	1	M8		
_11	N03/0100016	Pul	Washer, Pln.	2	M8		
_12	F99/60050	Mafsallı Çatalı	Knurling Tool	1	M8		
_13	F99/60055	Mafsallı Pim	Knuckle Pin	1	M8		
_14	N01/0232078	Civata	Bolt	1	M8x15		
_15	N03/1310010	Yaylı Rondela	Washer, Pln.	1	M8		
1_4	N01/0221514	A.K.B. Civata	Bolt, Hex.	6	M6x20		
1_5	N02/3570158	A.K. Somun	Nut, Hex.	6	M6		
1_6	N03/0100013	Pul	Washer, Pln.	6	M6		
1_7	H346116100	Emniyet Switchi	Locking Switch	1			
1_8	N01/5870352	S.B. Civata	Bolt, Cylinder Head	8	M6x70	5125001-7125011	D
	N04/1671862	Vida	Screw	3	M5x16	7125012-	D
1_9	F99/20006	Topuz	Knob	1			
1_10	F99/15092	Plastik Pul	Cover	3		7125012-	
2	H346106600	Hortum, Konsol	Hose, Console	1			
3	N07/4060080	Kelepçe	Clamp	2			
4	H348002500	Kablo, Emniyet Anah.	Wire, Locking Switch				

(*) H346109002 ve H346114501 birlikte H346109001 ve H346114500 yerine kullanılabilir. / H346109002 and H346114501 can be used instead of H346109001 and H346114500.

KABİN İÇİ MONTAJI (1) CAB INTERIOR MOUNTING (1)



KABİN İÇİ MONTAJI (1)

CAB INTERIOR MOUNTING (1)

No	Parça No	Adı	Adet	Not	Seri No	Y. Kul. S.K.
No	Part No	Description	Q'ty	Note	Serial No	ICA S.C.
1	H346100605	Koltuk Desteği Komp.	1		6125001-7125062	D
	H346100606	Koltuk Desteği Komp.	1		7125063-7125178	C
1_1	H346100704	Koltuk Dest. K.M., Alt	1		6125001-7125178	
1_2	H346100802	Koltuk Dest. K.M., Üst	1		6125001-7125062	D
	H346100803	Koltuk Dest. K.M., Üst	1		7125063-	C
1_3	H346100901	Ray Kompleksi	1			
1_4	N01/5890518	S.B. Cıvata	4	M8x40		
1_6	N01/5890470	S.B. Cıvata	4	M8x25		
2	N01/0232858	A.K.B. Cıvata	4	M12x35		
3	N03/0100023	Pul	4	M12		
4	N03/1310012	Yaylı Rondela	4	M12		
5	H346107603	Paspas	1		6125001-7125178	D
6	H346104104	Klima Kap. Mont., Üst	1		6125001-7125178	D
6_1	H346104304	Klima Kapağı Gövdesi	1	**	?	D
	H346104305	Klima Kapağı Gövdesi	1	*, ***	?-7125178	D
6_2	H346104804	Kapak	1	**	?	D
	H346104805	Kapak	1	***	?-7125178	D
6_3	H346104502	Sigorta Tablası Kap.	1		?	
	H346104503	Sigorta Tablası Kap.	1	*	?-7125178	
6_4	N04/1520914	Cıvata	2			
	N04/3700976	Cıvata	1			
6_5	H346105202	Kilit, Dişi	1			
6_6	H346105302	Kilit, Erkek	1			
6_7	H346104901	Menteşe	2			D
	H346104902	Menteşe	2			D
6_8	H346104101	Perçin	4			
6_9	H346122300	Kapak Mekanizması	1		6125001-7125178	D
8	N04/1671826	Vida	12	M5x10		
9	N03/0100011	Pul	12	M5		
11	N04/1671826	Vida	4	M5x10		
12	N03/0100011	Pul	4	M5		
14	N07/4060080	Kelepçe	2			
15	H346118602	Hortum, Hava	1			
16	H346118101	Hortum, Hava	1			
17	N07/4050070	Kelepçe	2			
18	H346101902	Koltuk Kompleksi	1			
19	N01/5890470	S.B. Cıvata	4	M8x25		
26	H346120801	Kapak, Hava Sağ	1		5125001-7125011	D
	H346120802	Kapak, Hava Sağ	1		7125012-7125066	D
	H346120803	Kapak, Hava Sağ	1		7125067-7125178	D

(*) Bağlantı cıvata adedi 2'den 1'e düşürüldü. / Mounting bolt number lessened from 2 to 1.

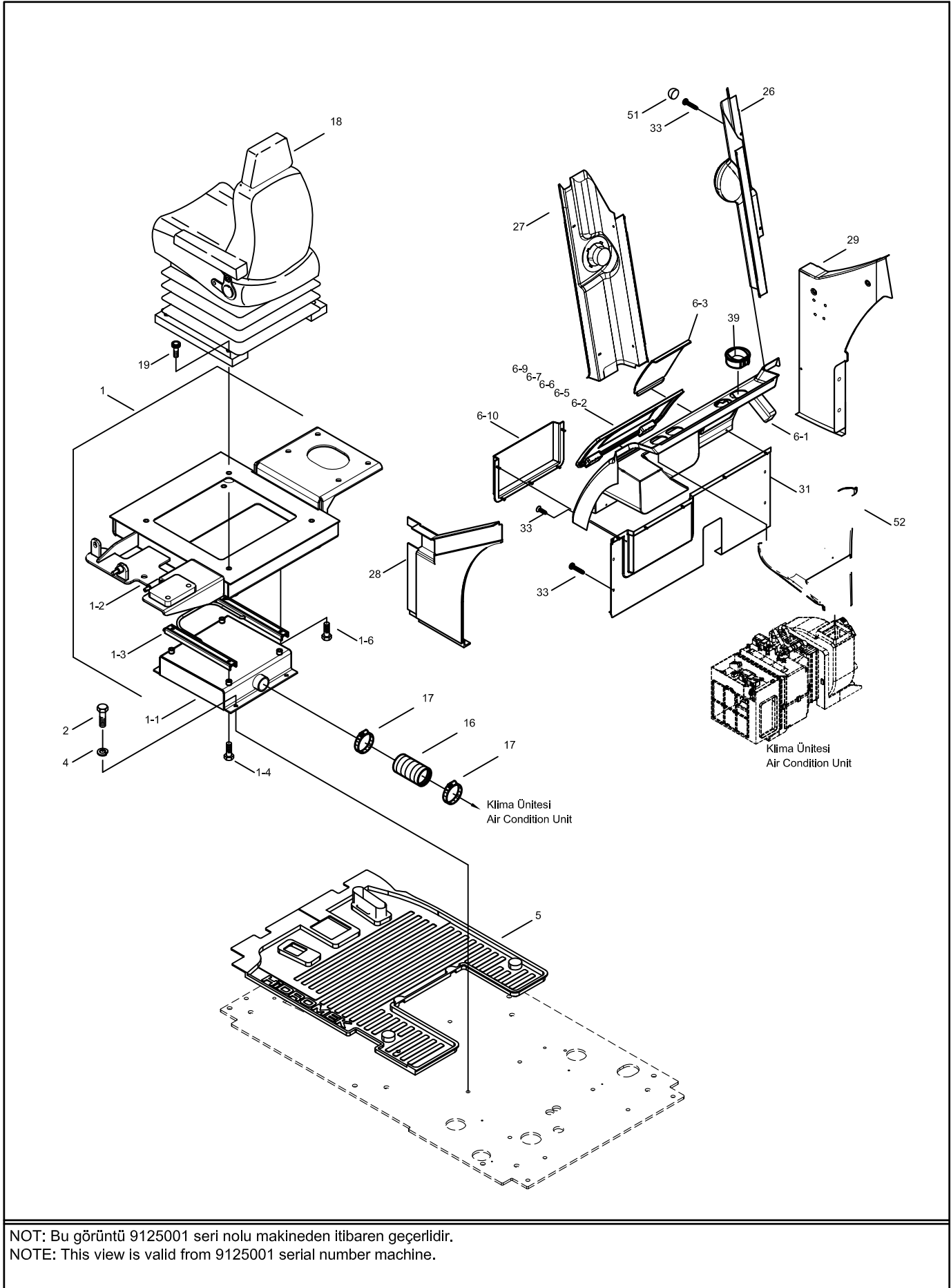
(**) H346104901 numaralı menteşe ile birlikte kullanılıyor. / It is used with H346104901 numbered hinge.

(***) H346104902 numaralı menteşe ile birlikte kullanılıyor. / It is used with H346104902 numbered hinge.

KABİN İÇİ MONTAJI (1)
CAB INTERIOR MOUNTING (1)

No	Parça No	Adı	Adet	Not	Seri No	Y. Kul. S.K.
No	Part No	Description	Q'ty	Note	Serial No	ICA S.C.
27	H346120901	Kapak, Hava Sol	1		5125001-7125011	D
	H346120902	Kapak, Hava Sol	1		7125012-7125066	D
	H346120903	Kapak, Hava Sol	1		7125067-7125178	D
28	H346120200	Kapak, Sol	1		5125001-7125011	D
	H346120201	Kapak, Sol	1		7125012-7125178	D
29	H346120000	Kapak, Sağ	1		5125001-7125011	D
	H346120001	Kapak, Sağ	1		7125012-7125178	D
30	H346120100	Cep, Kapak Sağ	1		6125001-7125178	D
31	H346120301	Klima Kap. Gv., Alt	1		6125001-7125178	D
32	H346120401	Kapak, Koltuk Des.	1		6125001-7125178	
33	N04/9530360	Vida	21	M3.9x16	5125001-7125011	D
	N04/1671862	Vida	21	M5x16	7125012-	D
34	N01/0221514	A.K.B. Civata	4	M6x20		
35	N04/3701144	Vida	5	M5x20		
39	H346121400	Dner Menfez	2		6125001-7125178	
40	H346121200	Pul	4			
47	N03/0020004	Pul	8	M6		
48	N02/3560158	Somun	4	M6	5125001-6125007	
49	N04/9530350	Vida	2	3.9x16		
50	H346121200	Polyamid Pul	4			
51	F99/15092	Plastik Kapak	21			

KABİN İÇİ MONTAJI (1) CAB INTERIOR MOUNTING (1)



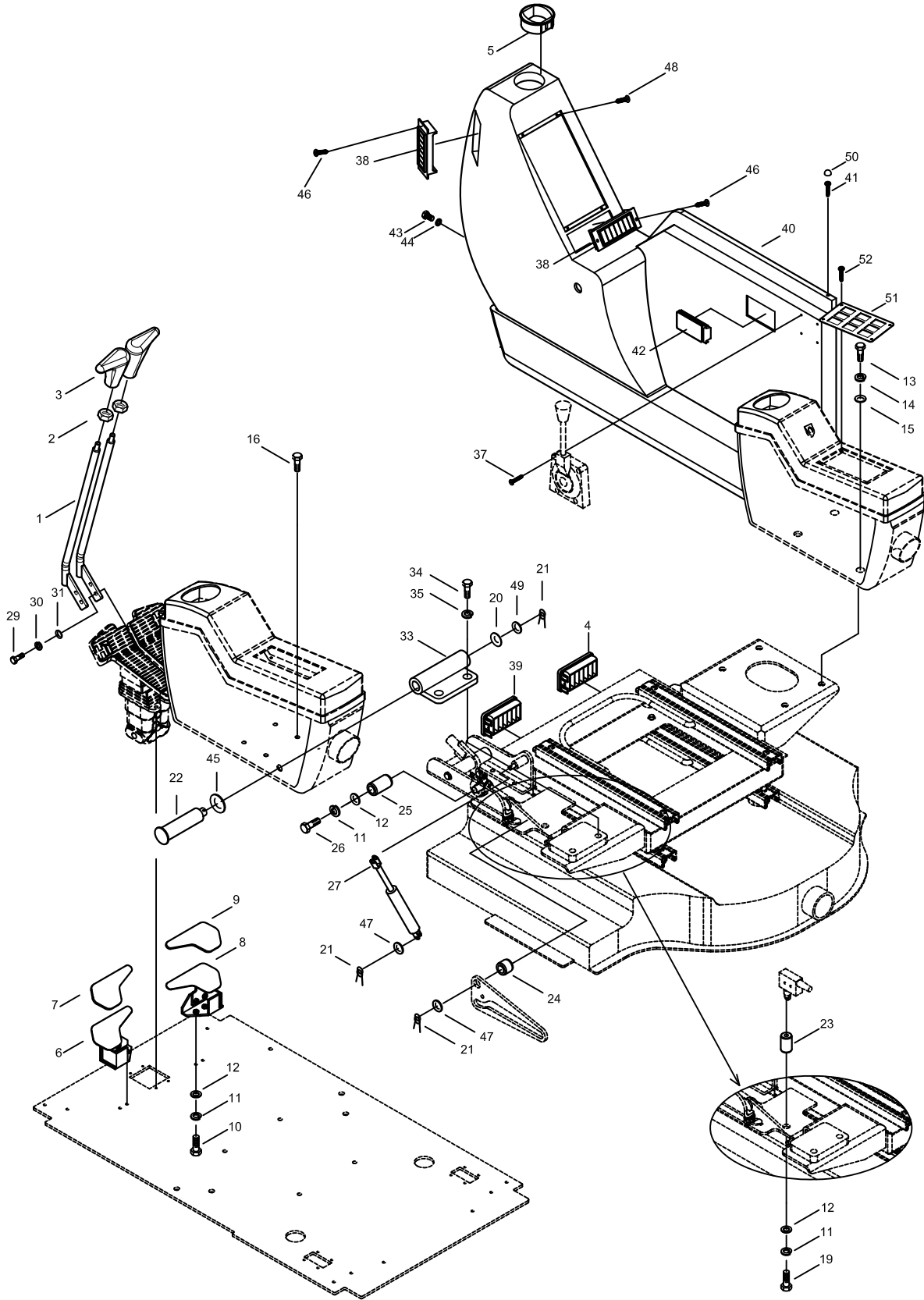
KABİN İÇİ MONTAJI (1)

CAB INTERIOR MOUNTING (1)

No	Parça No	Adı	Adet	Not	Seri No	Y. Kul. S.K.
No	Part No	Description	Q'ty	Note	Serial No	ICA S.C.
1	H346100607	Koltuk Desteği Komp.	1		9125001-	D
1_1	H346100705	Koltuk Dest. K.M., Alt	1		9125001-	D
1_2	H346100803	Koltuk Dest. K.M., Üst	1		7125063-	C
1_3	H346100901	Ray Kompleksi	1			
1_4	N01/5890518	S.B. Cıvata	4	M8x40		
1_6	N01/5890470	S.B. Cıvata	4	M8x25		
2	N01/0232846	A.K.B. Cıvata	4	M12x30		
4	N03/1310012	Yaylı Rondela	4	M12		
5	H346107604	Paspas	1		9125001-	D
6	H346104105	Klima Kap. Mont., Üst	1		9125001-	D
6_1	H346104306	Klima Kapağı Gövdesi	1		9125001-	D
6_2	H346104806	Kapak	1		9125001-	D
6_3	H346104504	Sigorta Tablası Kap.	1		9125001-	D
6_4	N04/3700976	Cıvata	1			
6_5	H346105202	Kilit, Dişi	1			D
6_6	H346105302	Kilit, Erkek	1			D
6_7	H346104902	Menteşe	2			D
6_8	H346104101	Perçin	4			
6_9	H346122301	Kapak Mekanizması	1		9125001-	D
6_10	H346123300	Doküman Cebi	1		9125001-	
16	H346118102	Hortum, Hava	1		9125001-	D
17	N07/4040060	Kelepçe	2		9125001-	D
18	H346101903	Koltuk Kompleksi	1	*****		C
19	N01/5890470	S.B. Cıvata	4	M8x25		
26	H346120804	Kapak, Hava Sağ	1		9125001-	D
27	H346120904	Kapak, Hava Sol	1		9125001-	D
28	H346120202	Kapak, Sol	1		9125001-	D
29	H346120002	Kapak, Sağ	1		9125001-	D
31	H346120302	Klima Kap. Göv., Alt	1		9125001-	D
33	N04/9561284	Vida	42	M5x20		
39	F25/20515	Döner Menfez	4		9125001-	D
51	F99/15092	Plastik Kapak	37			
52	H346124300	Hava Kanalı, Arka	1		9125001-	

(*****) H346115601 ile birlikte H346101902 yerine kullanılabilir. / It can be used instead of H346101902 with H346115601.

KABİN İÇİ MONTAJI (2) CAB INTERIOR MOUNTING (2)



NOT: Bu görüntü 6125001-7125178 seri nolu makineler için geçerlidir.
NOTE: This view is valid for 6125001-7125178 serial number machines.

KABİN İÇİ MONTAJI (2)

CAB INTERIOR MOUNTING (2)

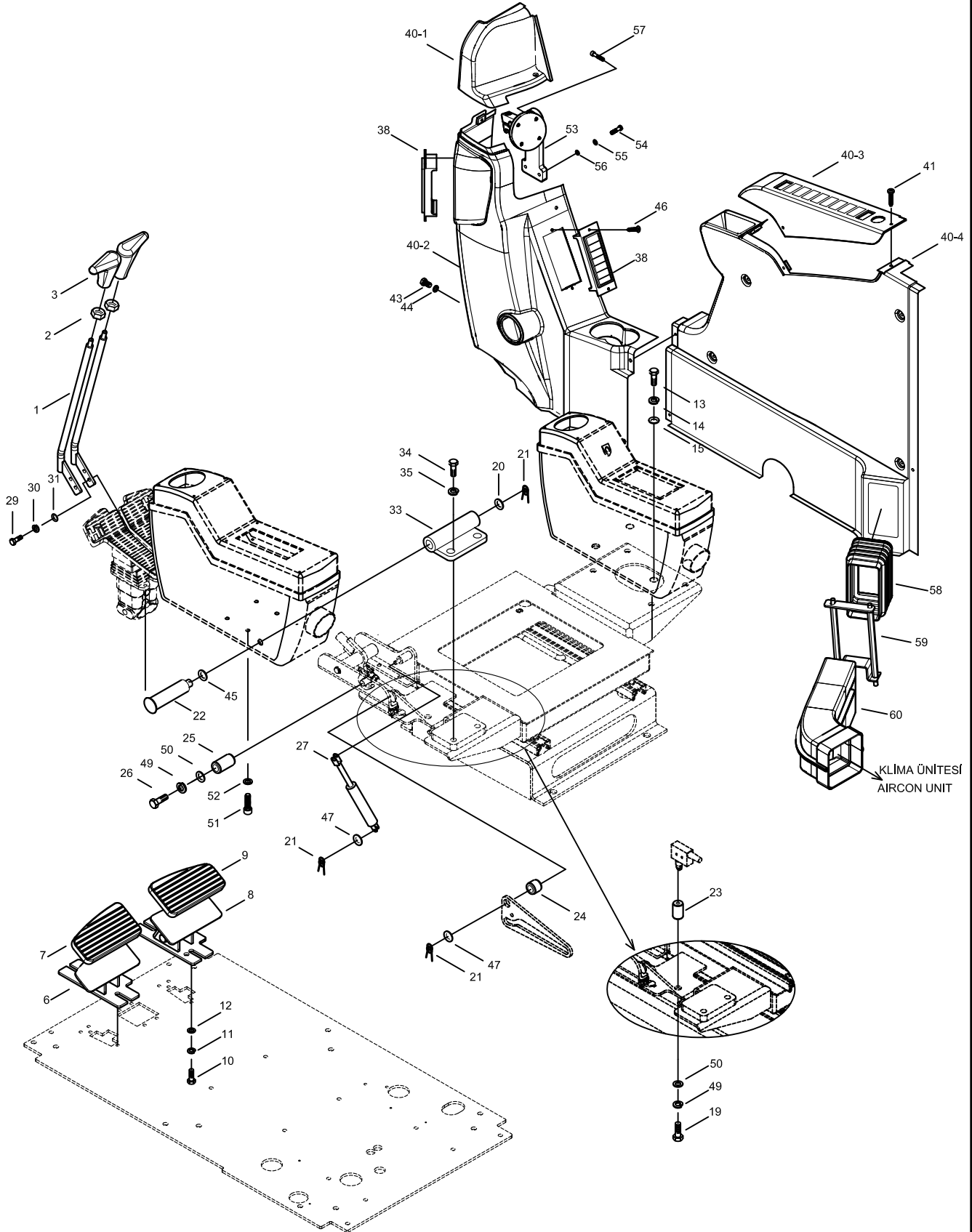
No	Parça No	Adı	Adet	Not	Seri No	Y. Kul. S.K.
No	Part No	Description	Q'ty	Note	Serial No	ICA S.C.
1	H346107202	Levye Kolu, Komple	Lever Ass'y	2	5125001-7125156	D
	H346107203	Levye Kolu, Komple	Lever Ass'y	2	* 7125157-	C
2	H346119100	A.K. Özel Somun	Nut, Hex.	2	M12	
3	H346107402	Tutamak	Knob	2		
4	H346113601	Hava Üfleci	Louver	1	5125001-7125178	
5	F25/20505	Hava Nozulu	Diffuser, Air	1	5125001-7125178	
6	H346107501	Ayak Dayama Sacı, Sol	Bracket, Foot Rest, L	1	5125001-7125178	D
7	H346117900	Lastik, Sol	Rubber, L/H	1	5125001-7125178	D
8	H346113000	Ayak Dayama Sacı, Sağ	Bracket, Foot Rest, R	1	5125001-7125178	D
9	H346119700	Lastik, Sağ	Rubber, R/H	1	5125001-7125178	D
10	N01/0222162	A.K.B. Civata	Bolt, Hex.	4	M8x30	5125001-7125178
11	N03/1310010	Yaylı Rondela	Washer Spr.	6	M8	5125001-7125178
12	N03/0020111	Pul	Washer Pln.	6	M8	5125001-7125178
13	N01/5890818	S.B. Civata	Bolt, Cyl. Hd.	4	M10x30	
14	N03/1360010	Yaylı Rondela	Washer Spr.	4	M10	
15	N03/0100020	Pul	Washer Pln.	4	M10	
16	N04/3700976	Vida	Screw	4	M4x20	5125001-7125178
19	N01/0222114	A.K.B. Civata	Bolt, Hex.	1	M8x20	
20	N03/0100020	Pul	Washer, Pln.	2	M10	
21	N06/1002025	Gupilya	Pin, Split	3		
22	H346103500	Pim, Konsol (Sol)	Pin, Console (L/H)	1		
23	H346116000	Switch Pimi	Pin, Locking Ass'y	1		
24	H346115500	Kama Yatak Polyamidi	Polyamide, Wedge	1		
25	H346115900	Kanca Pimi	Pin, Hook	1		
26	N01/0232138	A.K.B. Civata	Bolt, Hex.	1	M8x25	
27	H346103600	Amortisör	Gas Spring	1		
29	N01/5870794	S.B. Civata	Bolt, Cyl. Hd.	4	M10x20	
30	N03/1360010	Yaylı Rondela	Washer, Spr.	4	M10	
31	N03/0100020	Pul	Washer, Pln.	4	M10	
33	H346103400	Burç K.M.	Bushing, W.A.	1		
34	N01/0232858	A.K.B. Civata	Bolt, Hex.	2	M12x35	
35	N03/1310012	Yaylı Rondela	Washer, Spr	2	M12	
37	N04/3701169	Vida	Screw	4	M5x25	5125001-7125178
38	F25/20511	Menfez	Louver	2		
39	H346121300	Hava Üfleci	Louver	1	5125001-7125178	
40	H346105401	Ön Konsol	Console, Front	1	5125001-7125011	D
	H346105403	Ön Konsol	Console, Front	1	7125012-7125178	D
41	N04/1150349	Vida	Screw	3	M3.9x25	5125001-7125011
	N04/3700976	Vida	Screw	4	M4x20	7125012-7125178
42	F32/18710	Küllük	Ashtray	1		7125012-7125178
43	N01/0221514	A.K.B. Civata	Bolt, Hex.	1	M6x20	
44	N03/0020004	Pul	Washer, Pln	1	M6	
45	H346121100	Pul	Washer, Pln	1		
46	N04/3700976	Vida	Screw	4	M4x20	

(*) H346107202 yerine kullanmak için iki levreyi birlikte değiştiriniz. / To use instead of H346107202 change both levers together.

KABİN İÇİ MONTAJI (2)
CAB INTERIOR MOUNTING (2)

No	Parça No	Adı	Adet	Not	Seri No	Y. Kul. S.K.
No	Part No	Description	Q'ty	Note	Serial No	ICA S.C.
47	N03/0100017	Pul	6	M8		
48	N04/3700976	Vida	4	M4x20		
49	N03/0020121	Pul	1	M10		
50	F99/15092	Plastik Kapak	2			
51	H346122200	Buton Paneli Sacı	1			
52	N04/3700976	Vida	4	M4x20		

KABİN İÇİ MONTAJI (2) CAB INTERIOR MOUNTING (2)



NOT: Bu görüntü 9125001 seri nolu makineden itibaren geçerlidir.
NOTE: This view is valid from 9125001 serial number machine.

KABİN İÇİ MONTAJI (2)

CAB INTERIOR MOUNTING (2)

No	Parça No	Adı	Adet	Not	Seri No	Y. Kul. S.K.	
No	Part No	Description	Q'ty	Note	Serial No	ICA S.C.	
1	H346107203	Levyeye Kolu, Komple	Lever Ass'y	2	*	7125157-	C
2	H346119100	A.K. Özel Somun	Nut, Hex.	2	M12		
3	H346107402	Tutamak	Knob	2			
6	H346107502	Ayak Dayama Sacı, Sol	Bracket, Foot Rest, L	1		9125001-	D
7	H346117901	Lastik, Sol	Rubber, L/H	1		9125001-	D
8	H346113001	Ayak Dayama Sacı, Sağ	Bracket, Foot Rest, R	1		9125001-	D
9	H346119701	Lastik, Sağ	Rubber, R/H	1		9125001-	D
10	N01/0222486	A.K.B. Civata	Bolt, Hex.	4	M10x30	9125001-	
11	N03/1310011	Yaylı Rondela	Washer Spr.	4	M10	9125001-	
12	N03/0020121	Pul	Washer Pln.	4	M8	9125001-	
13	N01/5890818	S.B. Civata	Bolt, Cyl. Hd.	4	M10x30		
14	N03/1360010	Yaylı Rondela	Washer Spr.	4	M10		
15	N03/0100020	Pul	Washer Pln.	4	M10		
16	N04/3700976	Vida	Screw	4	M4x20	5125001-7125178	
19	N01/0222114	A.K.B. Civata	Bolt, Hex.	1	M8x20		
20	N03/0100020	Pul	Washer, Pln.	2	M10		
21	N06/1002025	Gupilya	Pin, Split	3			
22	H346103500	Pim, Konsol (Sol)	Pin, Console (L/H)	1			
23	H346116000	Switch Pimi	Pin, Locking Ass'y	1			
24	H346115500	Kama Yatak Polyamidi	Polyamide, Wedge	1			
25	H346115900	Kanca Pimi	Pin, Hook	1			
26	N01/0232138	A.K.B. Civata	Bolt, Hex.	1	M8x25		
27	H346103600	Amortisör	Gas Spring	1			
29	N01/5870794	S.B. Civata	Bolt, Cyl. Hd.	4	M10x20		
30	N03/1360010	Yaylı Rondela	Washer, Spr.	4	M10		
31	N03/0100020	Pul	Washer, Pln.	4	M10		
33	H346103400	Burç K.M.	Bushing, W.A.	1			
34	N01/0232858	A.K.B. Civata	Bolt, Hex.	2	M12x35		
35	N03/1310012	Yaylı Rondela	Washer, Spr	2	M12		
38	F25/20511	Menfez	Louver	2			
40	H346105404	Ön Konsol	Console, Front	1		9125001-	D
40_1	H346123700	Konsol, Sağ, Ön, Üst	Console, R, FR, Upper	1		9125001-	
40_2	H346123800	Hava Kanalı, Sağ, Ön	Air Link, R, FR	1		9125001-	
40_3	H346123500	Konsol, Anahtarlar	Console, Switches	1		9125001-	
40_4	H346123600	Hava Kanalı, Sağ, Orta	Air Link, R, FR	1		9125001-	
41	N03/9561284	Vida	Screw	42	M5x20	9125001-	D
43	N01/0221514	A.K.B. Civata	Bolt, Hex.	1	M6x20		
44	N03/0020004	Pul	Washer, Pln	1	M6		
45	H346121100	Pul	Washer, Pln	1			
46	N04/3700976	Vida	Screw	4	M4x20		
47	N03/0100017	Pul	Washer, Pln.	6	M8		
48	N04/3700976	Vida	Screw	4	M4x20		
49	N03/1310010	Yaylı Rondela	Washer, Spr	1	M8	9125001-	
50	N03/0020111	Pul	Washer, Pln	1	M8	9125001-	

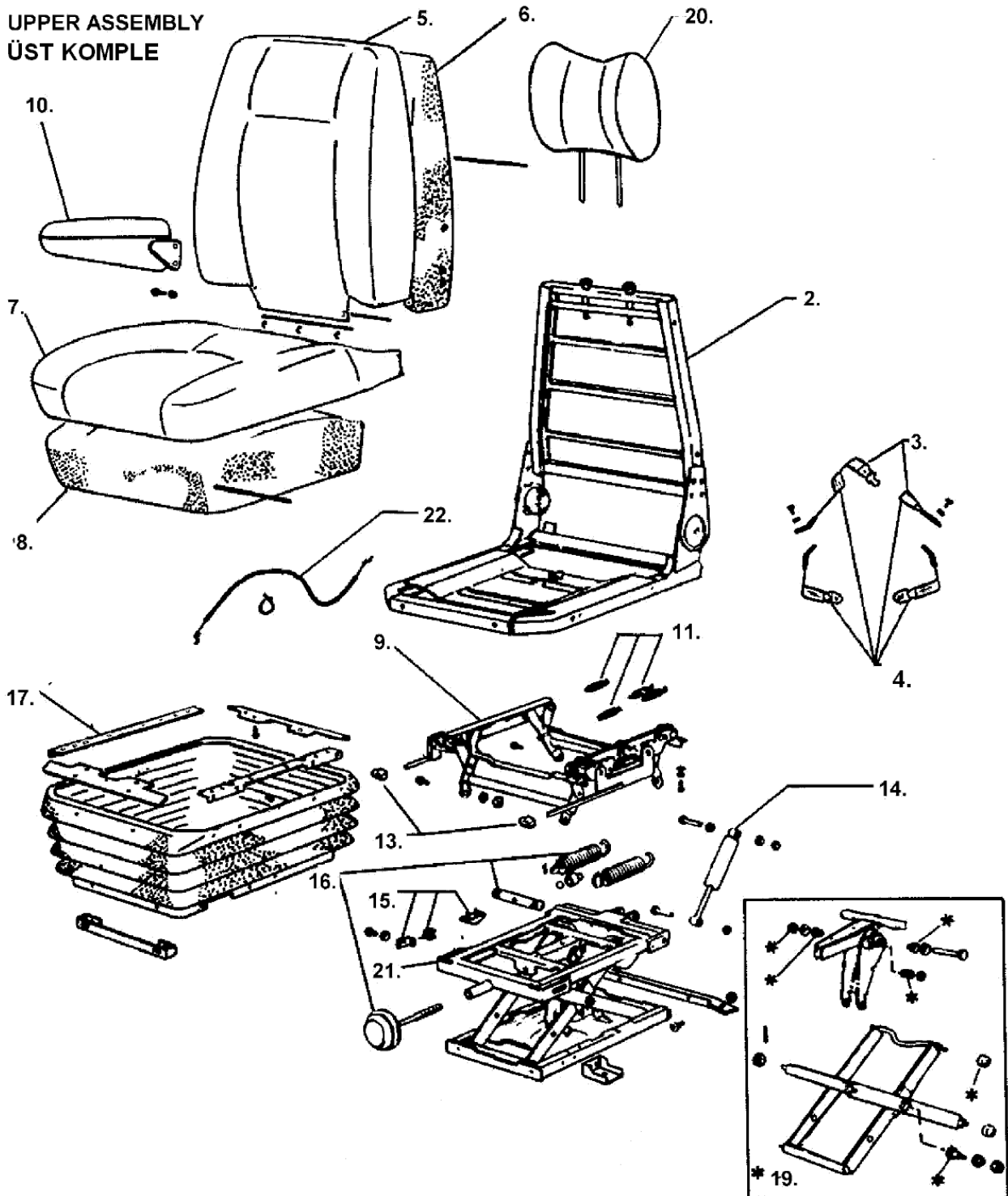
(*) H346107202 yerine kullanmak için iki levreyi birlikte değiştiriniz. / To use instead of H346107202 change both levers together.

KABİN İÇİ MONTAJI (2)
CAB INTERIOR MOUNTING (2)

No	Parça No	Adı	Description	Adet	Not	Seri No	Y. Kul. S.K.
No	Part No			Q'ty	Note	Serial No	ICA S.C.
51	N01/5870316	SB Cıvata	Bolt, Cyl. Hd.	4	M6x20	9125001-	
52	N03/1310008	Yaylı Rondela	Washer, Spr	4	M6	9125001-	
53	H346124500	Kumanda Paneli Kolu	Instrument Panel Arm	1		9125001-	
54	N01/0232138	A.K.B. Cıvata	Bolt, Hex.	2	M8x25	9125001-	
55	N03/1310010	Yaylı Rondela	Washer, Spr.	2	M8	9125001-	
56	N03/0020111	Pul	Washer, Pln.	2	M8	9125001-	
57	N01/5870290	SB Cıvata	Bolt, Cyl. Hd.	4	M6x12	9125001-	
58	H346123900	Körük	Bellow	1		9125001-	
59	H346125300	Bağlantı Elemanı	Connector	1		9125001-	
60	H346124400	Hava Kanalı	Air Link	1		9125001-	

OPERATÖR KOLTUĞU OPERATOR SEAT

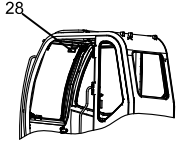
1. UPPER ASSEMBLY
ÜST KOMPLE



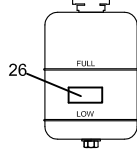
OPERATÖR KOLTUĞU OPERATOR SEAT

No	Parça No	Adı	Description	Adet	Not	Seri No	Y. Kul. S.K.
No	Part No			Q'ty	Note	Serial No	ICA S.C.
	H346101902	Koltuk Komitesi	Seat Ass'y	1			
1	H349065001	Üst Komite, KİT	Upper Ass'y KIT	1			
2	H349065002	Koltuk İskeleti Komp.	Seat Frame Ass'y	1			
3	H349065003	Emniyet Kemerı KİTİ	Seat Belt KIT	1			
4	H349065004	Emniyet Kemerı ve Bağlantısı KİTİ	Seat Belt and Tether Belt KIT	1			
5	H349065005	Sırtlık Kılıfı Komp. KİT	Back Cover Ass'y KIT	1			
6	H349065006	Sırtlık Süngerı KİTİ	Back Foam KIT	1			
7	H349065007	Oturak Kılıfı Komp. KİT	Seat Cover Ass'y KIT	1			
8	H349065008	Oturak Süngerı KİTİ	Seat Foam KIT	1			
9	H349065009	Yükseklik Ayar Mekanizması KİTİ	Height Riser KIT	1			
10	H349065010	Kolçak Komitesi	Armrest KIT	1			
11	H349065011	Yükseklik Ayar Mekanizması Yay KİTİ	Height Riser Spring KIT	1			
13	H349065012	Tutamak KİTİ	Handle KIT	1			
14	H349065013	Amortisör KİTİ	Damper KIT	1			
15	H349065014	Tampon KİTİ	Up / Bumpstop KIT	1			
16	H349065015	Ağırlık Ayar KİTİ	Weight Adjuster KIT	1			
17	H349065016	Süspansiyon Kapağı	Suspension Cover	1			
19	H349065017	Taşıyıcı KIT	Bearing KIT	1			
20	H349065018	Koltuk Başlığı, KİT	Headrest KIT	1			
21	H349065019	Süspansiyon Komp.	Suspension Ass'y	1			
22	H349065020	Kablo KİTİ	Cable KIT	1			

ETİKET MONTAJI (TÜRKÇE) DECAL MOUNTING (TURKISH)

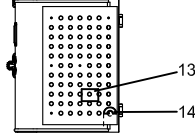


KABİN İÇ GÖRÜNÜŞÜ
CAB INSIDE VIEW

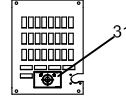


REZERVUAR TANKI
RESERVOIR TANK

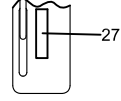
AKÜ KUTUSUNUN İÇİNDE
INSIDE ACCUMULATOR BOX



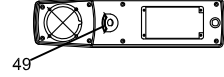
AKÜ KUTUSU ÜST GÖRÜNÜŞÜ
ACCUMULATOR BOX / UPPER VIEW



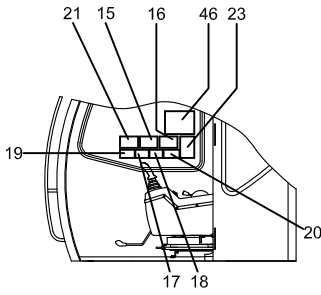
SIGORTA SACI ÖN GÖRÜNÜŞÜ
FUSE PLATE FRONT VIEW



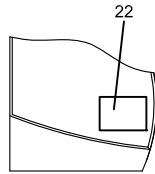
SOL KONSOL ÖN GÖRÜNÜŞÜ
LEFT CONSOLE FRONT VIEW



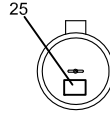
SAG KONSOL ÜST GÖRÜNÜŞÜ
RIGHT CONSOLE UPPER VIEW



KABİN SAĞ İÇ KISIM GÖRÜNÜŞÜ
CAB INSIDE VIEW / RIGHT

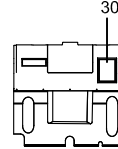


KABİN KAPISI İÇ GÖRÜNÜŞÜ
CAB DOOR / INSIDE VIEW



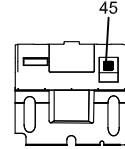
HAVA FİLTRESİ
AIR FILTER

SIGORTA KAPAGI ARKASI
FUSE COVER / BACK

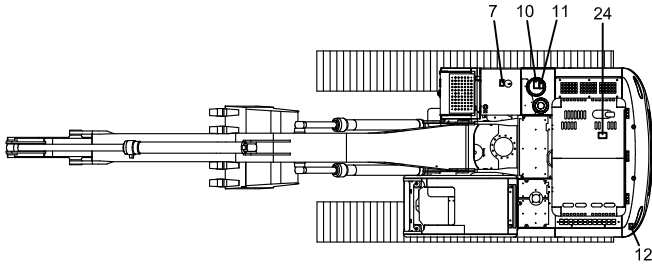


KLİMA KAPAGI, ÖN GÖRÜNÜŞÜ
AIR CON. COVER / FRONT VIEW

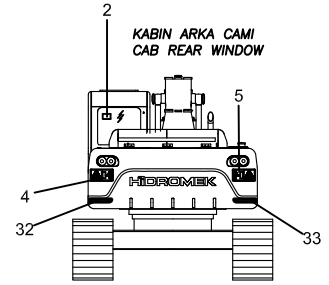
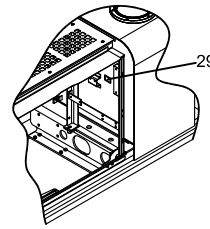
SIGORTA KAPAGI ÖNÜ
FUSE COVER / FRONT



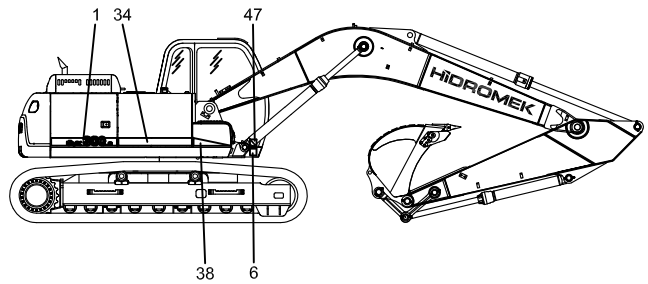
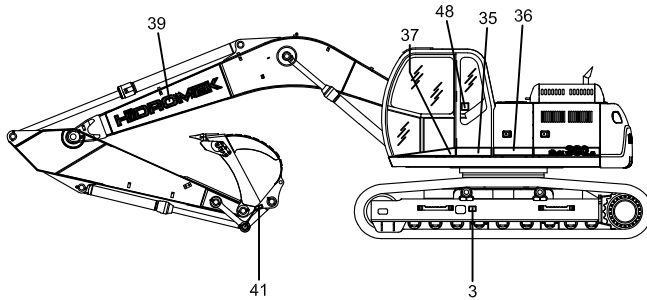
KLİMA KAPAGI, ÖN GÖRÜNÜŞÜ
AIR CON. COVER / FRONT VIEW



HİDROLİK DEPO
HYDRAULIC TANK



KABİN ARKA CAMI
CAB REAR WINDOW



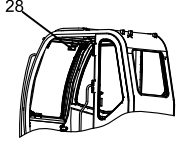
ETİKET MONTAJI (TÜRKÇE)
DECAL MOUNTING (TURKISH)

No	Parça No	Adı	Adet	Not	Seri No	Y. Kul. S.K.
No	Part No	Description	Q'ty	Note	Serial No	ICA S.C.
1	H257000200	Etiket, Model	2			
2	H347000500	Etiket, Acil Çıkış	1			
3	H347000700	Etiket Palet Ayarı	2			
4	H347000800	Emniyetli Mesafe, Sol	1		6125001-6125015	D
	H257000800	Emniyetli Mesafe, Sol	1		7125001-	D
5	H347000900	Emniyetli Mesafe, Sağ	1		6125001-6125015	D
	H257000900	Emniyetli Mesafe, Sağ	1		7125001-	D
6	H347001102	Etiket, Makine	1			
	H347001103	Etiket, Makine	1			C
7	H347001200	Etiket, Yakıt	1			
10	H347001501	Etiket, Hidrolik Yağ	1			
11	H347001600	Etiket, Uyarı	1			
12	H347001700	Etiket, Uyarı, Arka Ağır.	1			
13	H347001800	Etiket, Akü Uyarı	1			
14	H347001900	Ana Kesici, Açık/Kapalı	1			
15	H347002000	Kullanım Öncesi	1			
16	H347002100	Etiket, Uyarı	1			
17	H347002200	Etiket, Uyarı	1			
18	H347002300	Emniyetli Kullanım	1			
19	H347002400	Etiket, Kullanım	1			
20	H347002500	Etiket, Hava Alma	1			
21	H347002600	Etiket, El Gazı Kul.	1			
22	H257002701	Yağlama Tablosu	1			
23	H257002800	Etiket, Teknik Özellik	1			
24	H347002900	Etiket, Uyarı, Sıcak	1			
25	H347003001	Etiket, Hava Filtresi	1			
26	H347003100	Etiket, Rezer. Tankı	1			
27	H347003200	Etiket, Emniyet	1			
28	H347003300	Etiket, Uyarı	1			
29	H347003500	Etiket, Hid. Yağ Seviye.	1			
30	H257003600	Etiket, Sigorta	1		5125001-6125001	D
	H257003601	Etiket, Sigorta	1		6125002-7125178	D
	H257003602	Etiket, Sigorta	1		9125001-	D
31	H347003800	Etiket, Oto.- Manuel	1			
32	H257006500	Reflektör, Sol	1			
33	H257006400	Reflektör, Sağ	1			
34	H257005301	Etiket, Zemin, Hid. D.	1			
35	H347004703	Etiket, Zemin, Kabin	1			
36	H257004700	Etiket, Zmn, Takım S.	1			
37	H347004803	Etiket, Zemin, Kapı	1			
38	H257004901	Etiket, Akü Sandığı	1			
39	H347005101	Logo	2			D
	H347005102	Logo	2			C
41	H347000600	Etiket, Ataşman	1			

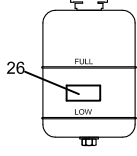
ETİKET MONTAJI (TÜRKÇE)
DECAL MOUNTING (TURKISH)

No	Parça No	Adı	Description	Adet	Not	Seri No	Y. Kul. S.K.
No	Part No			Q'ty	Note	Serial No	ICA S.C.
45	Y06/11340	Elektrik İkaz	Electric Warn.	1			
46	H257000401	Kaldırma Kapasitesi	Lifting Capacity	1	3,07 arm		
	H257007201	Kaldırma Kapasitesi	Lifting Capacity	1	2,5 arm		OP
47	H257005800	Gürültü Seviyesi, Dış	Sound Level, Outside	1			
48	H257005901	Gürültü Seviyesi, İç	Sound Level, Inside	1			
49	H257006300	Etiket, Mod Seçimi	Mode Selection Decal	1		7125001-7125178	

ETİKET MONTAJI (İNGİLİZCE) DECAL MOUNTING (ENGLISH)

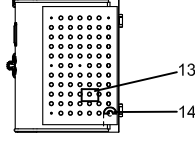


KABİN İÇ GÖRÜNÜŞÜ
CAB INSIDE VIEW

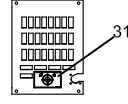


REZERVUAR TANKI
RESERVOIR TANK

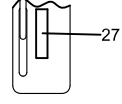
AKÜ KUTUSUNUN İÇİNDE
INSIDE ACCUMULATOR BOX



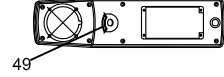
AKÜ KUTUSU ÜST GÖRÜNÜŞÜ
ACCUMULATOR BOX / UPPER VIEW



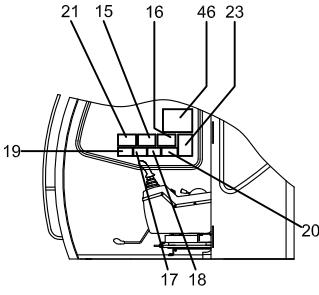
SIGORTA SACI ÖN GÖRÜNÜŞÜ
FUSE PLATE FRONT VIEW



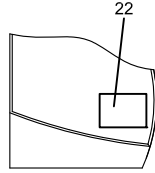
SOL KONSOL ÖN GÖRÜNÜŞÜ
LEFT CONSOLE FRONT VIEW



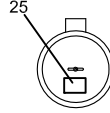
SAG KONSOL ÜST GÖRÜNÜŞÜ
RIGHT CONSOLE UPPER VIEW



KABİN SAĞ İÇ KISIM GÖRÜNÜŞÜ
CAB INSIDE VIEW / RIGHT

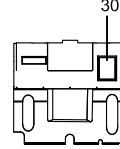


KABİN KAPISI İÇ GÖRÜNÜŞÜ
CAB DOOR / INSIDE VIEW



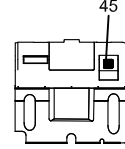
HAVA FİLTRESİ
AIR FILTER

SIGORTA KAPAGI ARKASI
FUSE COVER / BACK

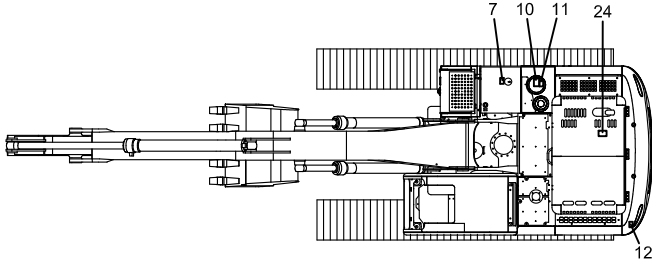


KLİMA KAPAGI, ÖN GÖRÜNÜŞÜ
AIR CON. COVER / FRONT VIEW

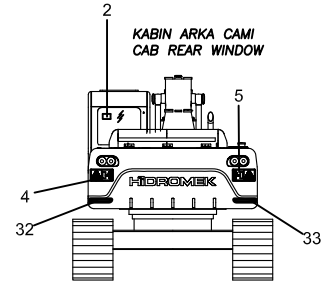
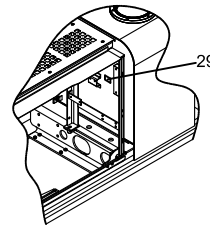
SIGORTA KAPAGI ÖNÜ
FUSE COVER / FRONT



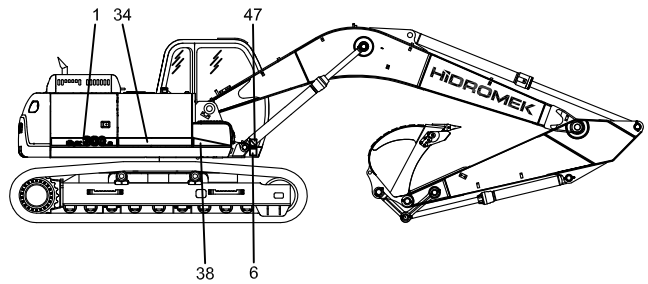
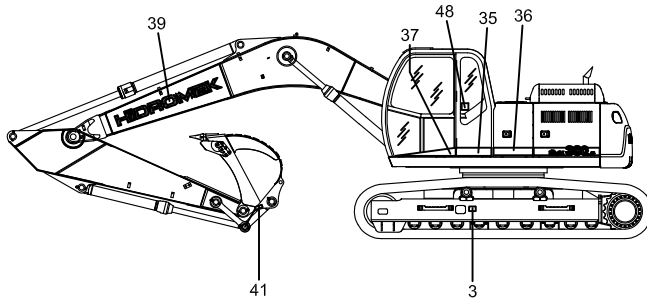
KLİMA KAPAGI, ÖN GÖRÜNÜŞÜ
AIR CON. COVER / FRONT VIEW



HİDROLİK DEPO
HYDRAULIC TANK



KABİN ARKA CAMI
CAB REAR WINDOW



ETİKET MONTAJI (İNGİLİZCE)
DECAL MOUNTING (ENGLISH)

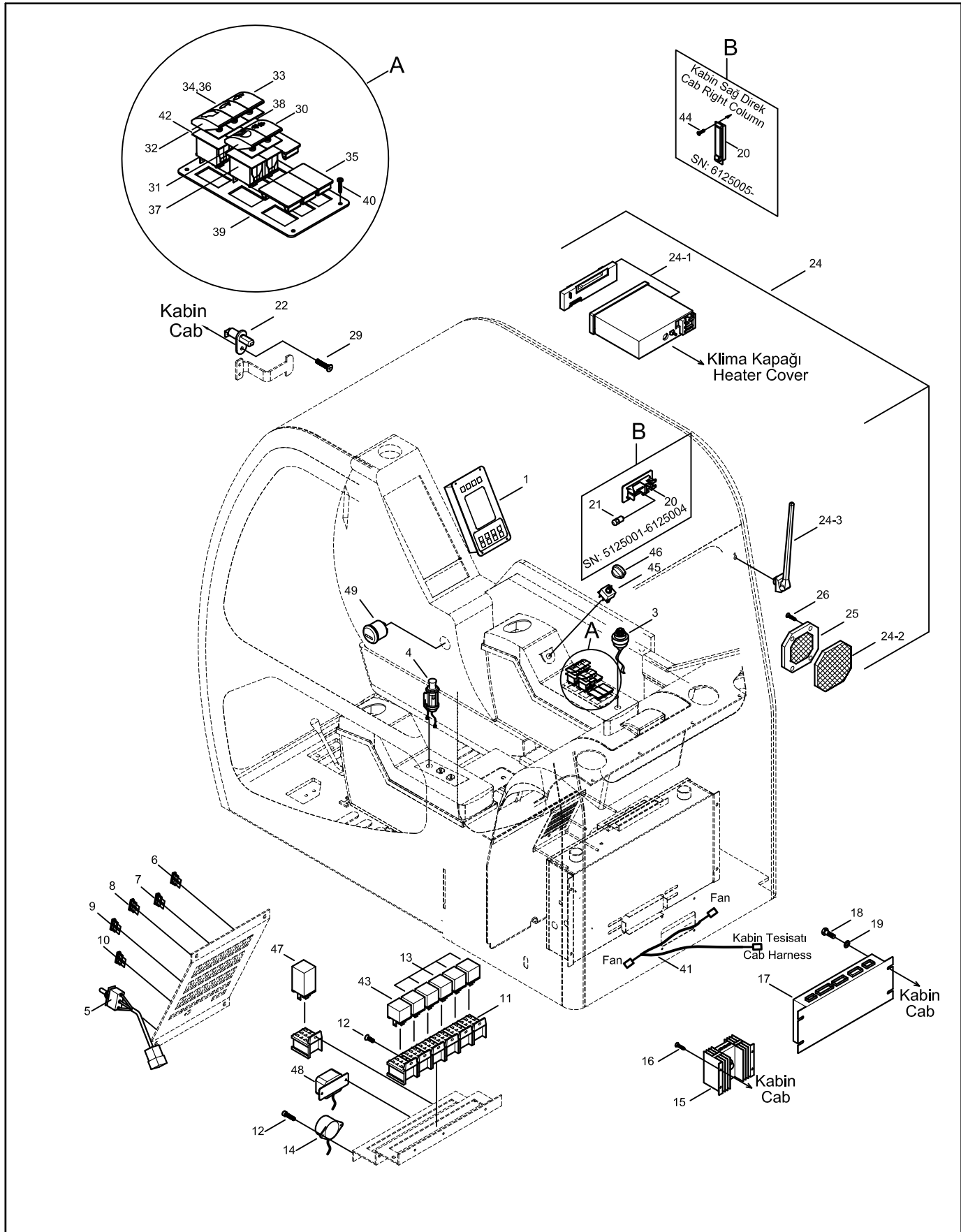
No	Parça No	Adı	Adet	Not	Seri No	Y. Kul. S.K.
No	Part No	Description	Q'ty	Note	Serial No	ICA S.C.
1	H257000200	Etiket, Model	2			
2	H347000500	Etiket, Acil Çıkış	1			
3	H347010700	Etiket Palet Ayarı	2			
4	H347000800	Emniyetli Mesafe, Sol	1		6125001-6125015	D
	H257000800	Emniyetli Mesafe, Sol	1		7125001-	D
5	H347000900	Emniyetli Mesafe, Sağ	1		6125001-6125015	D
	H257000900	Emniyetli Mesafe, Sağ	1		7125001-	D
6	H347011102	Etiket, Makine	1			
	H347011103	Etiket, Makine	1			C
7	H347011200	Etiket, Yakıt	1			
10	H347011501	Etiket, Hidrolik Yağ	1			
11	H347011600	Etiket, Uyarı	1			
12	H347011700	Etiket, Uyarı, Arka Ağır.	1			
13	H347011800	Etiket, Akü Uyarı	1			
14	H347001900	Ana Kesici, Açık/Kapalı	1			
15	H347012000	Kullanım Öncesi	1			
16	H347012100	Etiket, Uyarı	1			
17	H347012200	Etiket, Uyarı	1			
18	H347012300	Emniyetli Kullanım	1			
19	H347002400	Etiket, Kullanım	1			
20	H347012500	Etiket, Hava Alma	1			
21	H347012600	Etiket, El Gazı Kul.	1			
22	H257012701	Yağlama Tablosu	1			
23	H257012800	Etiket, Teknik Özellik	1			
24	H347012900	Etiket, Uyarı, Sıcak	1			
25	H347013001	Etiket, Hava Filtresi	1			
26	H347013100	Etiket, Rezer. Tankı	1			
27	H347013200	Etiket, Emniyet	1			
28	H347013300	Etiket, Uyarı	1			
29	H347013500	Etiket, Hid. Yağ Seviye.	1			
30	H257013600	Etiket, Sigorta	1		5125001-6125001	D
	H257013601	Etiket, Sigorta	1		6125002-7125178	D
	H257013602	Etiket, Sigorta	1		9125001-	D
31	H347003800	Etiket, Oto.- Manuel	1			
32	H257006500	Reflektör, Sol	1			
33	H257006400	Reflektör, Sağ	1			
34	H257005301	Etiket, Zemin, Hid. D.	1			
35	H347004703	Etiket, Zemin, Kabin	1			
36	H257004700	Etiket, Zmn, Takım S.	1			
37	H347004803	Etiket, Zemin, Kapı	1			
38	H257004901	Etiket, Akü Sandığı	1			
39	H347005101	Logo	2			D
	H347005102	Logo	2			C
41	H347000600	Etiket, Ataşman	1			

ETİKET MONTAJI (İNGİLİZCE)
DECAL MOUNTING (ENGLISH)

No	Parça No	Adı	Description	Adet	Not	Seri No	Y. Kul. S.K.
No	Part No			Q'ty	Note	Serial No	ICA S.C.
45	Y06/11340	Elektrik İkaz	Electric Warn.	1			
46	H257010401	Kaldırma Kapasitesi	Lifting Capacity	1	3,07 arm		
	H257017201	Kaldırma Kapasitesi	Lifting Capacity	1	2,5 arm		OP
47	H257005800	Gürültü Seviyesi, Dış	Sound Level, Outside	1			
48	H257005901	Gürültü Seviyesi, İç	Sound Level, Inside	1			
49	H257006300	Etiket, Mod Seçimi	Mode Selection Decal	1		7125001-7125178	

ELEKTRİK (1)

ELECTRIC (1)



NOT: Bu görüntü 6134001-7134233 seri nolu makineler için geçerlidir.
 NOTE: This view is valid for 6134001-7134233 serial number machines.

ELEKTRİK (1) ELECTRIC (1)

No No	Parça No Part No	Adı Description	Adet Q'ty	Not Note	Seri No Serial No	Y. Kul. S.K. ICA S.C.
1	H258003500	Kumanda Paneli	1		5125001-7125068	D
	H348013503	Kumanda Paneli	1		7125069-7125178	C
3	H348002101	Kontakt Anahtarı	1		5125001-7125156	D
4	H348002000	Çakmak	1	24V	5125001-6125001	D
	H348002001	Çakmak	1	24V, *	6125002-	D
5	H348007300	On-On Mandallı Sviç	1			
6	527/05450	Sigorta	7	3A	5125001-7125178	
7	527/05500	Sigorta	5	5A		
8	527/06050	Sigorta	9	10A		
9	527/06100	Sigorta	5	15A		
10	527/06200	Sigorta	3	20A		
11	H348007100	Röle Soketi	5			
12	N01/5870014	S.B. Civata	8	M4x8		
13	H348005400	Röle	5			
14	H348007200	Buzzer	1			
15	H348007500	Konvertör	1			
16	N04/1150359	Y.S.B. Civata	4	3.9x19		
17	H258003600	Kontrol Ünitesi	1		5125001-6125005	D
	H258003601	Kontrol Ünitesi	1		6125006-7125068	D
	H348013601	Kontrol Ünitesi	1	**	7125069-7125178	C
18	N01/5870170	S.B. Civata	4	M5x16		
19	N03/0100011	Pul	6	M5		
20	526/07510	Lamba	1		5125001-6125004	D
	H346073700	Lamba	1		6125005-	D
21	H238004600	Ampul	1	24V		
22	H348008000	Silecek Motoru Svici	1			
24	F99/25200	Oto Teyp, Komp.	1		5125001-6125002	
24_1	F99/25201	Oto Teyp, Clarion	1		5125001-6125002	A
	F99/25230	CD Çalar	1	***	6125003-	A
24_2	F99/25202	Hoparlör, Clarion	2	***		
24_3	F99/25203	Anten	1			
25	F32/10510	Kapak, Hoparlör	2		5125001-7125178	
26	N04/1150218	Vida	8			
29	N04/1210350	Vida	1			
30	520/30550	Düğme, Klima	1		5125001-7125178	
31	520/30050	Düğme, Çalış. Lam.	1		5125001-7125125	D
	520/31010	Düğme, Çalış. Lam.	1	****	7125126-	D
32	520/30500	Düğme, K. Far	1		5125001-7125125	D
	520/31070	Düğme, K. Far	1	****	7125126-	D
33	520/30250	Düğme, Su Püskür.	1		5125001-7125125	D
	520/31160	Düğme, Su Püskür.	1	****	7125126-	D
34	520/30700	Düğme, Silecek	1		5125001-7125125	D
	520/31150	Düğme, Silecek	1	****	7125126-	D

(*) H342720303 ile birlikte H348002000 yerine kullanılabilir. / It can be used instead of H348002000 with H342720303.

(**) H258003600 ve H258003601 yerine kullanılabilir. / It can be used instead of H258003600 ve H258003601.

(***) Sipariş öncesi direk-hoparlör uyumunu ve teybi kontrol ediniz. / Please check speaker-cover match and CD player before order.

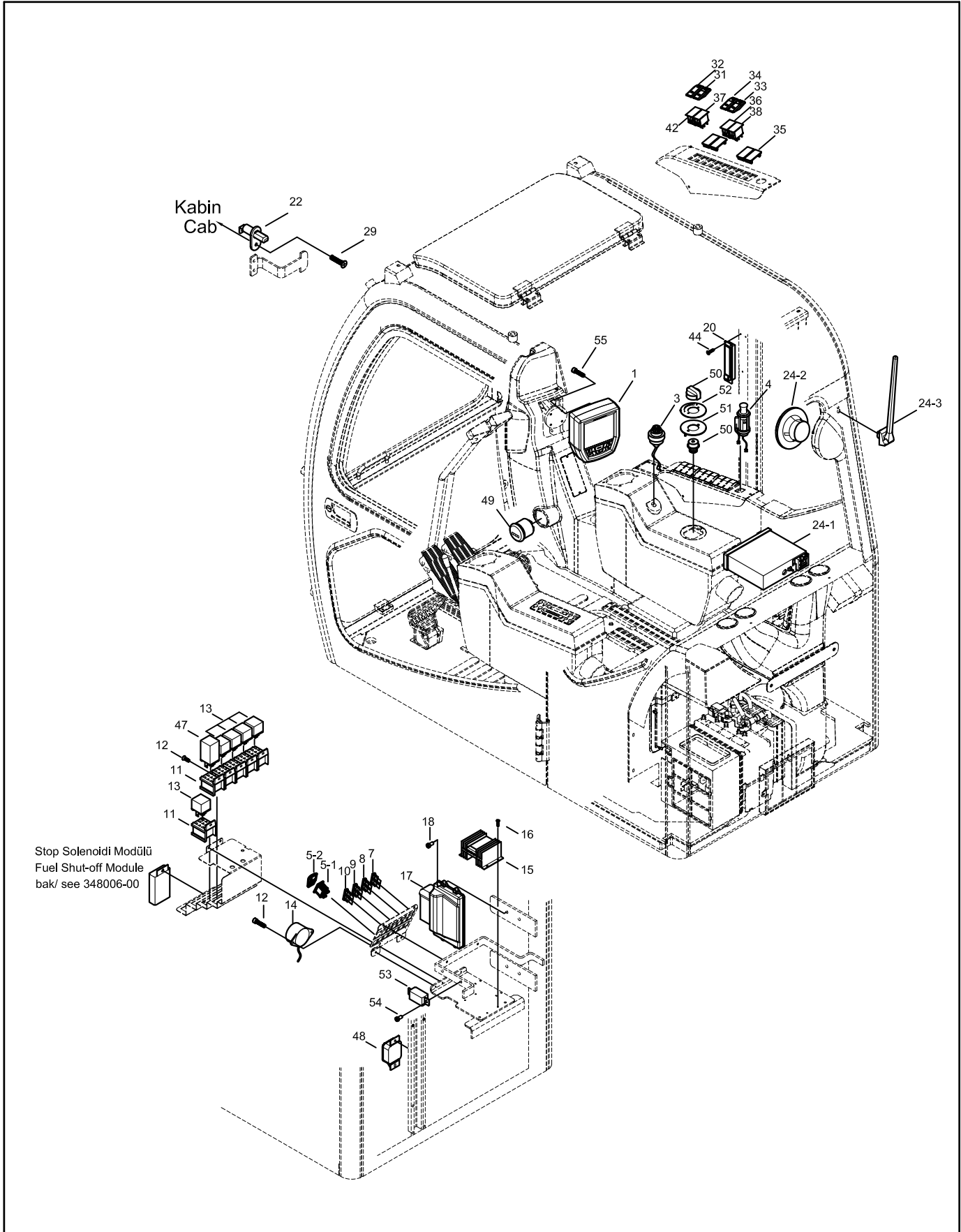
(****) Eskişinin yerine kullanmak için diğer düğmelerle birlikte değiştiriniz. / To use instead of old part, change button with other buttons.

ELEKTRİK (1)
ELECTRIC (1)

No	Parça No	Adı	Description	Adet	Not	Seri No	Y. Kul. S.K.
No	Part No			Q'ty	Note	Serial No	ICA S.C.
35	520/36000	Kapak	Cover	4			
36	520/21010	Anahtar, Silecek	Switch, Wiper	1			
37	520/21020	Anahtar, Klima-Çalışma Lam.	Switch, Aircon.-Working Lamp	2			
38	520/21030	Anahtar, Su Püskür.	Switch, Wiper Water	1			
41	H348016700	Klima Elek. Tesisatı	AC Harness			5125001-7125178	
42	520/21010	Anahtar, Uz.-Kısa Far	Switch, H.-Low Beam	1		5125001-6125001	D
	520/21020	Anahtar, Kısa Far	Switch, Low Beam	1		6125002-	D
43	H348015400	Stop Solenoidi Rölesi	Relay, Fuel Shut-off V/V	1		5125001-6125001	
44	N04/9530350	Vida	Screw	3		6125005-	
45	H238001700	Çalış. Modu Anahtarı	Switch, Work Mode	1		5125001-7125178	
46	H342711802	Tutamak	Handle	1		5125001-7125178	
47	H238005500	Röle, Dönüş Flaşörü	Relay, Swing Flasher	1			
48	H258012000	Emniyet Rölesi	Relay, Safety	1			
49	H258009000	Çalışma Saati	Hourmeter	1			

ELEKTRİK (1)

ELECTRIC (1)



NOT: Bu görüntü 9134001 seri nolu makineden itibaren geçerlidir.
NOTE: This view is valid from 9134001 serial number machine.

ELEKTRİK (1) ELECTRIC (1)

No	Parça No	Adı	Adet	Not	Seri No	Y. Kul. S.K.
No	Part No	Description	Q'ty	Note	Serial No	ICA S.C.
1	H348021801	Kumanda Paneli	1		9125001-	
3	H348002102	Kontak Anahtarı	1		7125157-	D
4	H348002001	Çakmak	1	24V, *	6125002-	D
5_1	520/30400	Anahtar, Oto/Manuel	1		7125126-	D
5_2	520/31230	Düğme, Oto/Manuel	1	****	7125126	D
7	527/05500	Sigorta	4	5A	5125001-7125178	
8	527/06050	Sigorta	9	10A		
9	527/06100	Sigorta	6	15A		
10	527/06200	Sigorta	2	20A		
11	H348007100	Röle Soketi	6			
12	N01/5870014	S.B. Civata	8	M4x8		
13	H348005400	Röle	5			
14	H348007200	Buzzer	1			
15	H348007500	Konvertör	1		?	D
	H348007501	Konvertör	1	****	?	C
16	N04/1150359	Y.S.B. Civata	4	3.9x19		
17	H348016801	Kontrol Ünitesi	1		9125001-	
18	N04/9561284	S.B. Civata	4	M5x16		
20	H346073700	Lamba	1		6125005-	D
22	H348008000	Silecek Motoru Svici	1			
24_1	F99/25250	CD Çalar	1	***		
24_2	F99/25251	Hoparlör	2	***		
24_3	F99/25203	Anten	1			
29	N04/1210350	Vida	1			
31	520/31010	Düğme, Çalış. Lam.	1	****	7125126-	D
32	520/31070	Düğme, K. Far	1	****	7125126-	D
33	520/31160	Düğme, Su Püskür.	1	****	7125126-	D
34	520/31150	Düğme, Silecek	1	****	7125126-	D
35	520/36000	Kapak	4			
36	520/21010	Anahtar, Silecek	1			
37	520/21020	Anahtar, Çalışma Lam.	1			
38	520/21030	Anahtar, Su Püskür.	1			
42	520/21020	Anahtar, Kısa Far	1		6125002-	D
44	N04/9530350	Vida	3		6125005-	
47	H238005500	Röle, Dönüş Flaşörü	1			
48	H258012000	Emniyet Rölesi	1			
49	H258009000	Çalışma Saati	1			
50	H348021400	Motor Devir Kontrol	1		9125001-	
51	H256104100	Bağlama Sacı	1		9125001-	
52	H256104400	Etiket	1		9125001-	
53	H349060015	Park Rölesi, Silecek	1			
54	N04/1671838	Vida	2	M5x12		
55	N01/5870290	S.B. Civata	4	M6x12	9125001-	

(*) H342720303 ile birlikte H348002000 yerine kullanılabilir. / It can be used instead of H348002000 with H342720303.

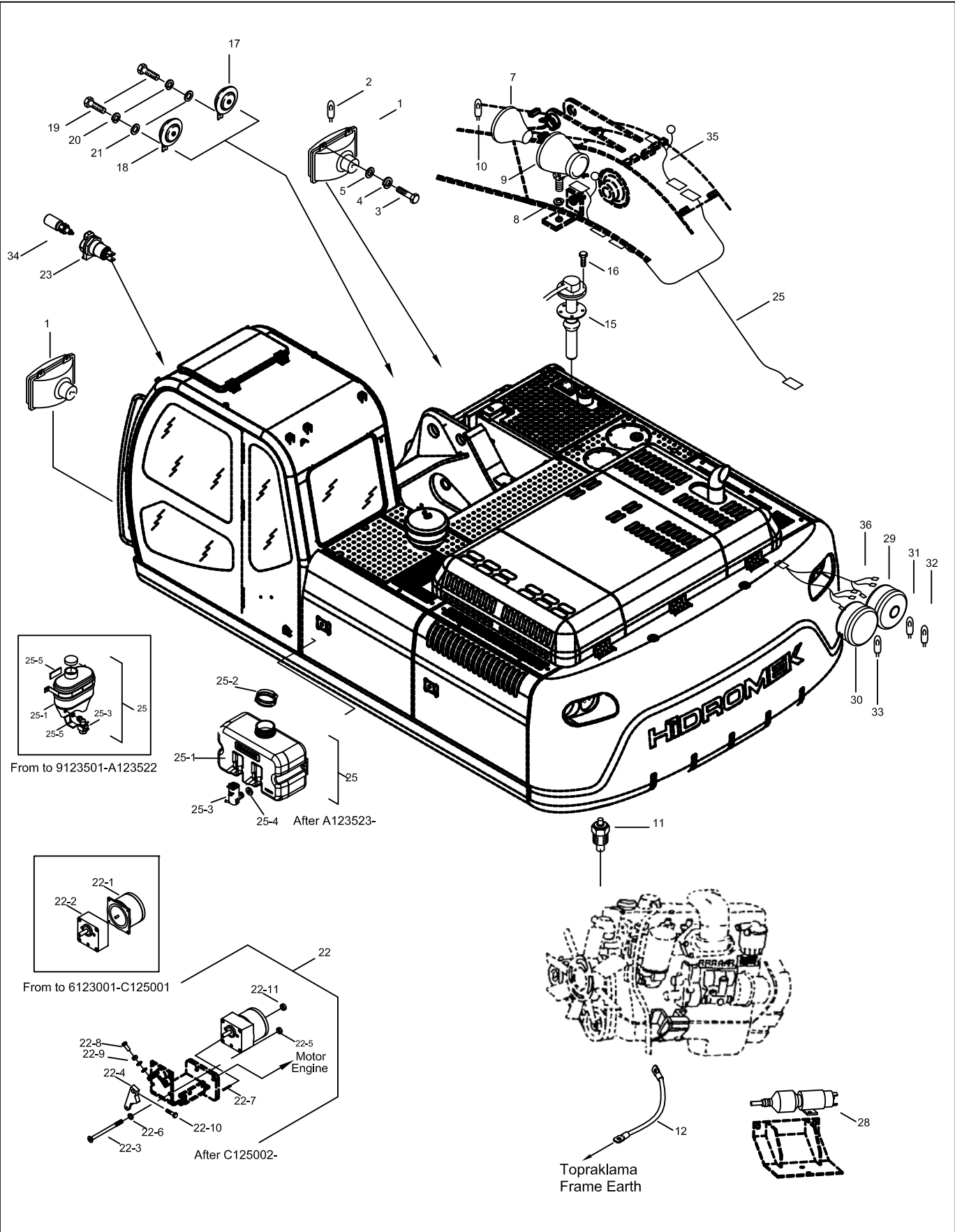
(***) Sipariş öncesi direk-hoparlör uyumunu ve teybi kontrol ediniz. / Please check speaker-cover match and CD player before order.

(****) Eskişinin yerine kullanmak için diğer düğmelerle birlikte değiştiriniz. / To use instead of old part, change button with other buttons.

(*****) H348025401A ile birlikte H348007500 yerine kullanılabilir. / It can be used instead of H348007500 with H348025401A.

ELEKTRİK (2)

ELECTRIC (2)



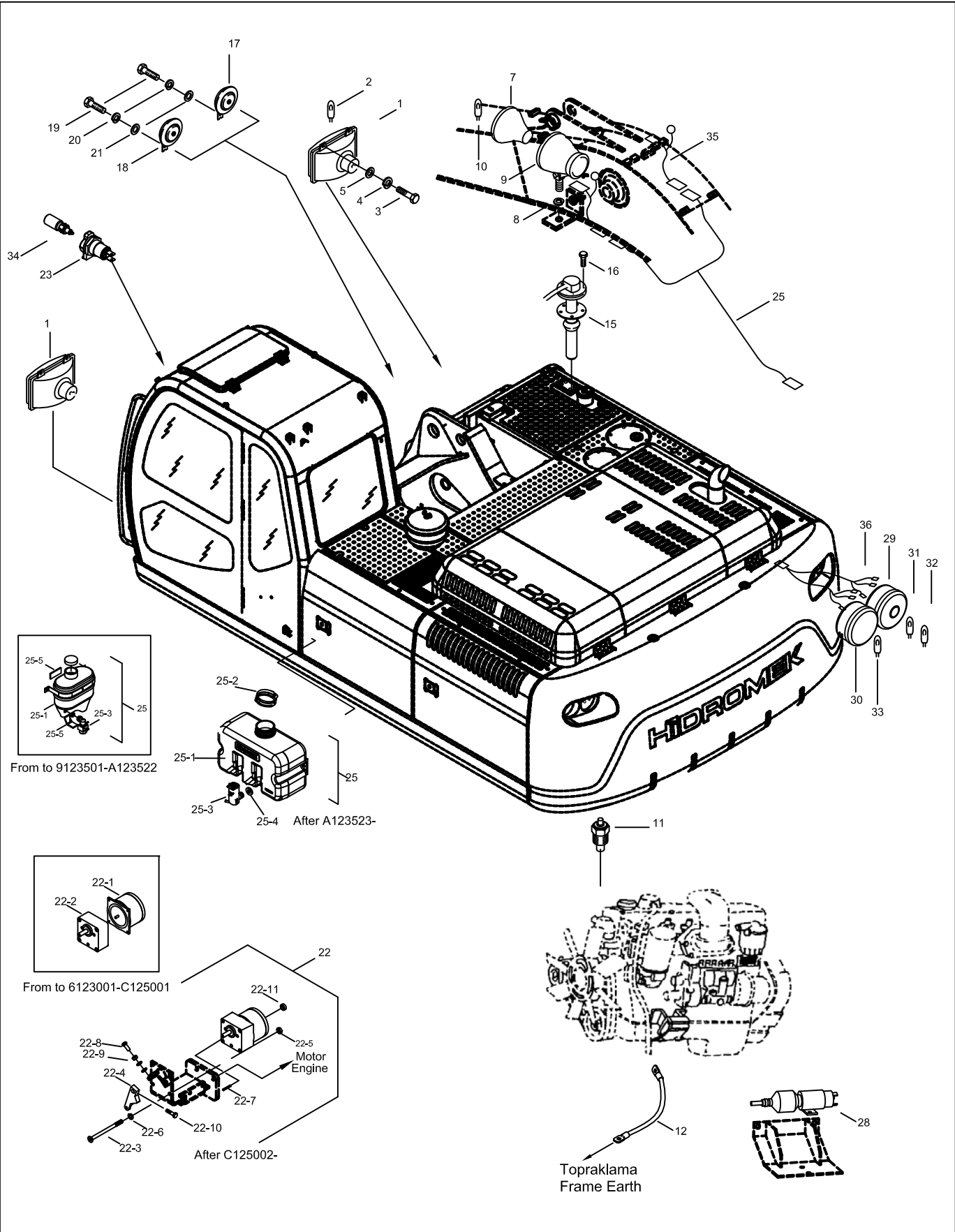
NOT: Bu görüntü C125002- seri nolu makineden itibaren geçerlidir.
NOTE: This view is valid from C125002- serial number machine.

ELEKTRİK (2)
ELECTRIC (2)

No No	Parça No Part No	Adı Description	Adet Q'ty	Not Note	Seri No Serial No	Y. Kul. ICA	S.K. S.C.
1	H348004001	Far	Head Lamp	2			
2	H348004100	Ampul	Bulb	2			
3	N01/0222138	A.K.B. Cıvata	Bolt, Hex.	8	M8x25		
4	N03/1310010	Rondela	Washer, Spr.	8	M8		
5	N03/0100016	Pul	Washer, Pln.	8	M8		
7	H348004300	Çalışma Lambası	Working Lamp	2			
8	N03/0100017	Pul	Washer, Pln.	2	M8		
9	H348004400	Lastik Muhafaza	Rubber Housing	2			
10	H348004500	Ampul	Bulb	2			
11	H259001454	Müşür, Hararet	Gauge, Water Temp.	1			
12	H349003689	Kablo Topraklama	Cable, Engine Earth	1			
15	H348003302	Sensör, Yakıt	Sensor, Fuel	1		7134001-	D
16	N01/5870026	Silindirikbaşı Cıvata	Bolt, Cylinder Head	5	M4x10		
17	H348002900	Korna, Yüksek	Horn, High	1			
18	H348002800	Korna, Alçak	Horn, Low	1			
19	N01/0221478	A.K.B. Cıvata	Bolt, Hex.	2	M6x15		
20	N03/1310008	Yaylı Rondela	Washer, Spr.	2	M6		
21	N03/0100013	Pul	Washer, Pln.	4	M6		
22	H348014000	Step Motor Komp.	Step Motor Ass'y	1			
22_1	H348005700	Step Motor	Step Motor	1			
	H348008500	Step Motor+Dişli kutus	Step Motor+Gear Box	1		C134005-	C K1
22_2	H348005800	Dişli Kutusu	Gear Box	1			
	H348008500	Step Motor+Dişli kutus	Step Motor+Gear Box	1		C134005-	C K1
22_3	N04/4061404	Cıvata	Bolt	4	M5x60		
22_4	H348014100	Ayar Kolu	Bracket	1			
22_5	N02/3570146	Somun	Nut	4	M5		
22_6	N03/1310007	Rondela	Washer, Pln.	4	M5		
22_7	N50/0003025	Kama	Key, Square	1			
22_8	N01/5870458	S.B. Cıvata	Bolt, Cyl. Hd.	1	M8x20		
22_9	N02/3570182	Somun	Nut	1	M8		
22_10	N04/4061070	Cıvata	Bolt	1	M4x10		
22_11	H348007800	Tapa	Plug	1			
23	H348004901	Servis Prizi	Socket	1			
24	H348000500	Tesisat, Çalış. Lamb.	Harness, Work Lamp	1			
25	H348009001	Cam Su. Tank Komp.	Washer Tank Ass'y	1		9123501-A123522	
	H348009002	Cam Su. Tank Komp.	Washer Tank Ass'y	1		A123523-	C K2
25_1	H348009100	Cam Suyu Tankı	Washer Tank	1		9123501-A123522	
	H348009101	Cam Suyu Tankı	Washer Tank	1		A123523-	C
25_2	H348009200	Depo Kapağı	Cover	1		9123501-A123522	
	H348009201	Depo Kapağı	Cover	1		A123523-	C
25_3	H348009301	Fıskiye Pompası	Washer Motor	1	24V	9123501-A123522	
	H348009302	Fıskiye Pompası	Washer Motor	1	24V	A123523-	C
25_4	H348009400	Fıskiye Contası	Gasket	1		9123501-A123522	
	H348009401	Fıskiye Contası	Gasket	1		A123523-	C

ELEKTRİK (2)

ELECTRIC (2)

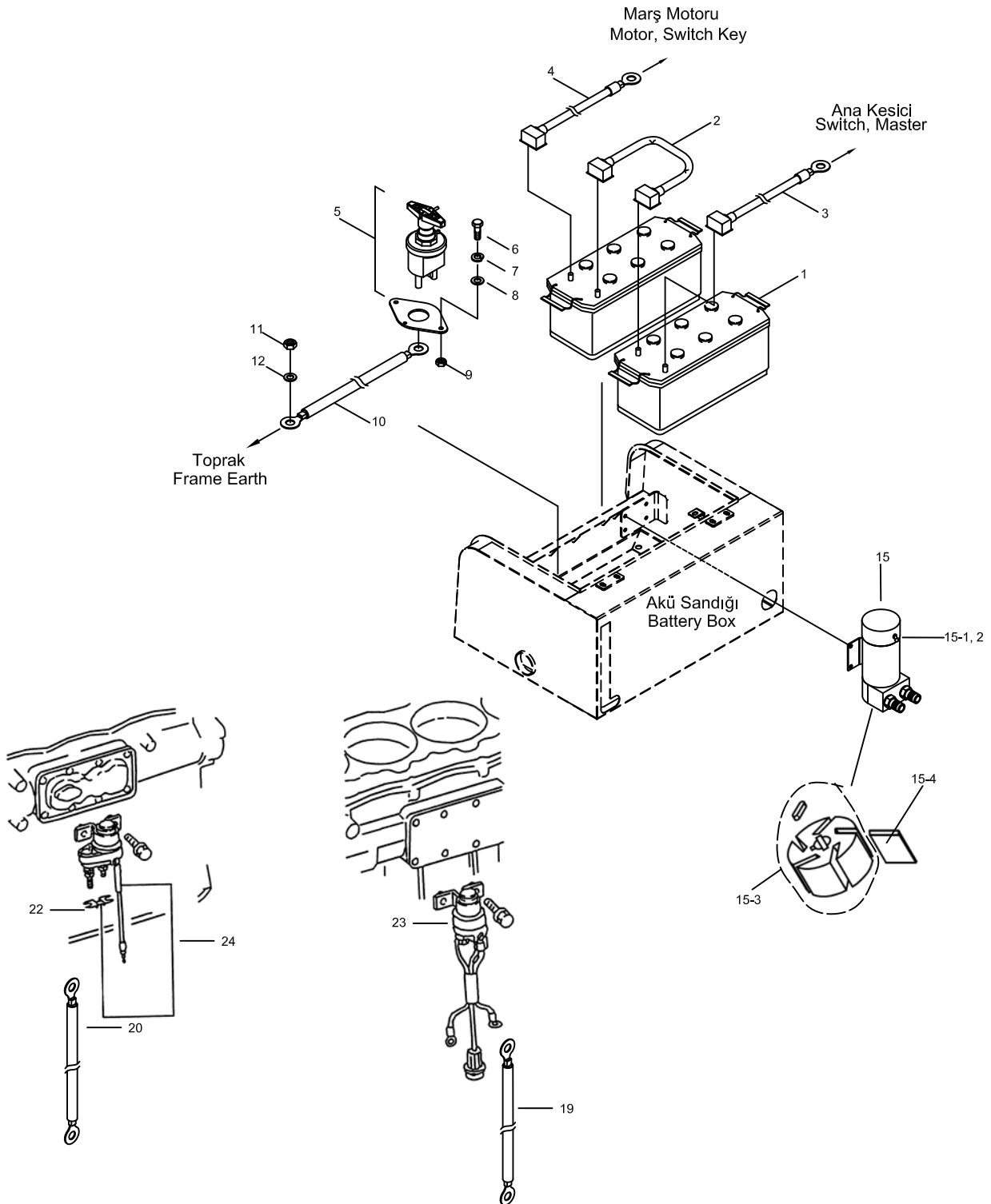


NOT: Bu görüntü C125002- seri nolu makineden itibaren geçerlidir.
NOTE: This view is valid from C125002- serial number machine.

ELEKTRİK (2)
ELECTRIC (2)

No No	Parça No Part No	Adı Description	Adet Q'ty	Not Note	Seri No Serial No	Y. Kul. S.K. ICA S.C.
25_5	H348009500	Sünger Takoz	Sponge	2	9123501-A123522	
29	H258004000	Lamba, İkaz	Warning Lamp	2	7134001-	
30	H258004100	Lamba, İkaz	Warning Lamp	1	7134001-	
31	H238004500	Ampul	Bulb	2	7134001-	
32	H238004600	Ampul	Bulb	4	7134001-	
34	H348005101	Servis Fişi	Socket	1		
33	H258004500	Ampul	Bulb	2	7134001-	
36	H258001800	Kablo, İkaz	Wire, Warning Lamp	1	7134001-	
37	H348004700	Kablo, Çalışma Lam.	Wire, Work Lamp	2		
38	H348015000	Stop Selenoidi	Fuel Shut-off V/V	1		

ELEKTRİK (3)
ELECTRIC (3)

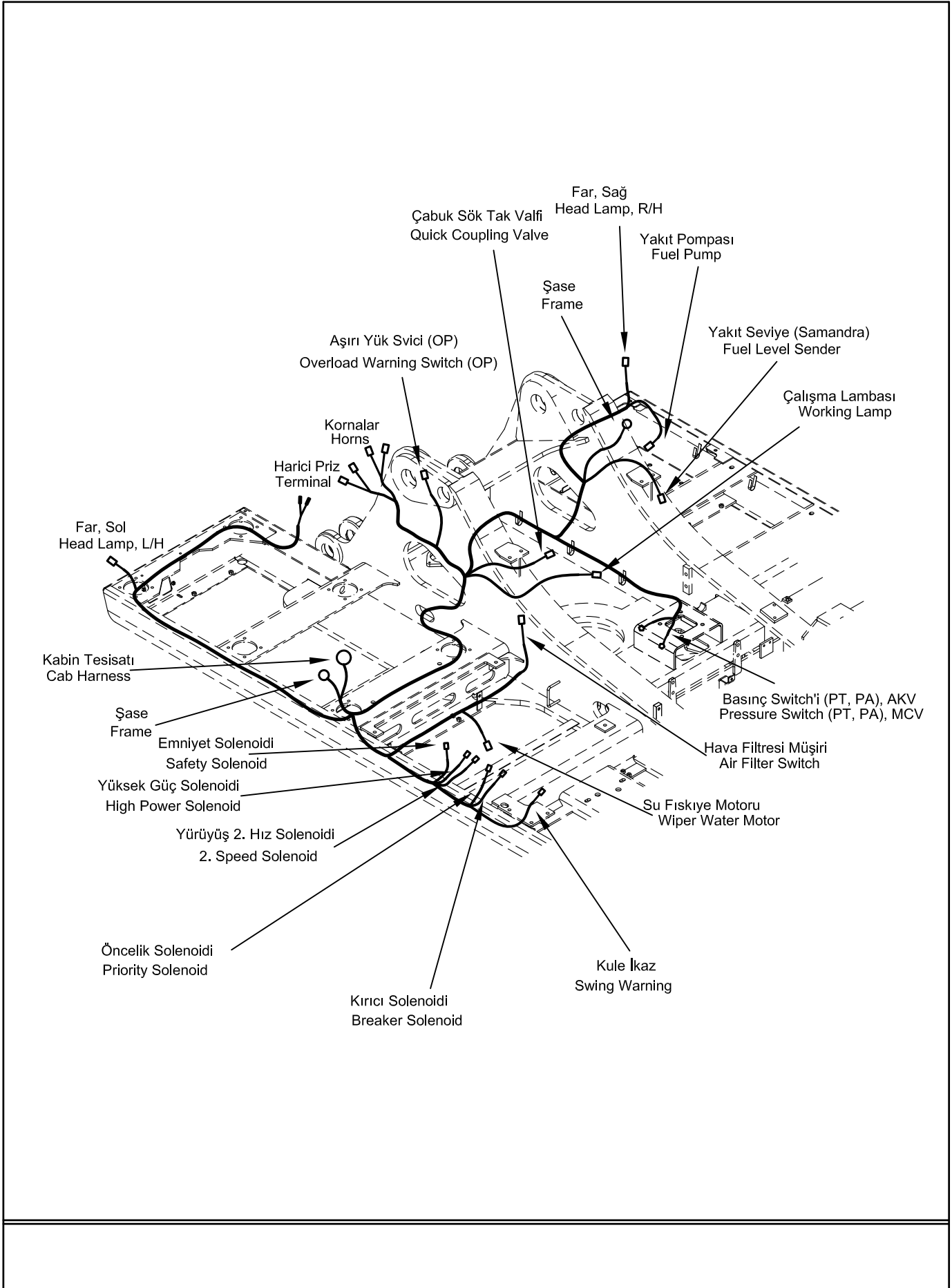


ELEKTRİK (3)
ELECTRIC (3)

No	Parça No	Adı	Description	Adet	Not	Seri No	Y. Kul. S.K.
No	Part No			Q'ty	Note	Serial No	ICA S.C.
1	H258003000	Akü	Battery	2			
2	H348000700	Kablo	Cable	1			
3	H348000800	Kablo	Cable	1			
4	H258001000	Kablo	Cable	1			
5	H348001800	Ana Kesici	Switch, Master	1			
6	N01/0221514	A.K.B. Civata	Bolt, Hex.	2	M6x20		
7	N03/1170013	Yaylı Rondela	Washer, Spr.	6	M6		
8	N03/0100013	Pul	Washer, Pln.	6	M6		
9	N02/3560158	Somun	Nut, Hex.	2	M6		
10	H348000900	Kablo	Cable	1			
11	N02/3570206	A.K. Somun	Nut, Hex.	1	M10		
12	N03/2500014	Pul	Washer,Pln.	1	M10		
14	N01/0221442	A.K.B. Civata	Bolt, Hex.	4	M6x10		
15	H258003400	Mazot Transfer Pomp.	Pump, Fuel Filler	1		5125001-9125039	
	H258003401	Mazot Transfer Pomp.	Pump, Fuel Filler	1	*	9125040-	D
15_1	H259080014	Sviç, Mazot Pompa	Switch, Pump	1		5125001-9125039	
15_2	H259080016	Tamir Takımı, Pompa	Servics KIT, Pump	1		5125001-9125039	
15_3	H259080101	Anahtar-Rotor Kiti	Kit,Rotor with Key	4		9125040-	
15_4	H259080102	Palet	Blade	1		9125040-	
19	H258001300	Kablo	Cable	1			
20	H258001600	Kablo, Ön Kızdırma	Cable, Preheat	1			
22	H259001571	Sigorta, Ön Kızdırma	Fuse, Air Heater	1			
23	H259001570	Röle, Marş	Relay, Starter	1			
24	H259001569	Röle, Ön Kızdırma	Relay, Air Heater	1			

(*) H251139400 ile birlikte H258003400 yerine geçer. / It can be used instead of H258003400 with H251139400.

ANA ELEKTRİK TESİSATI MAIN HARNESS

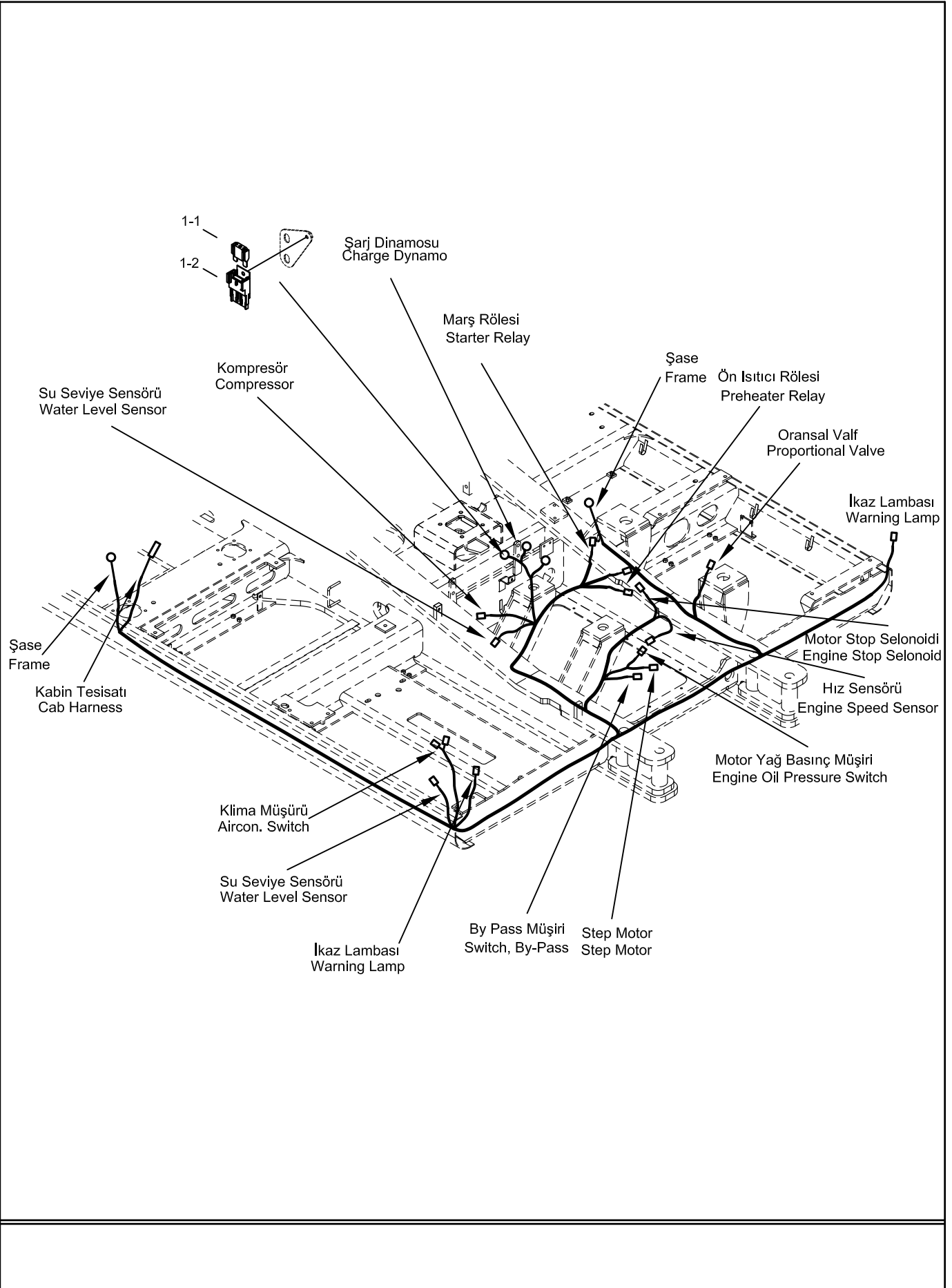


**ANA ELEKTRİK TESİSATI
MAIN HARNESS**

No	Parça No	Adı	Adet	Not	Seri No	Y. Kul. S.K.
No	Part No	Description	Q'ty	Note	Serial No	ICA S.C.
1	H258000300	Ana Elektrik Tesisatı	1		5125001	D
	H258000302	Ana Elektrik Tesisatı	1	*	6125001-	D

(*) 6125001-9125039 seri nolu makinelerde yakıt transfer pompası bağlantısı için 20202040 MESA konnektörlü H258000302 tesisat isteyiniz. / Order H258000302 with 20202040 MESA connector to connect fuel transfer pump for 6125001-9125039 serial number machines.

MOTOR ELEKTRİK TESİSATI ENGINE HARNESS

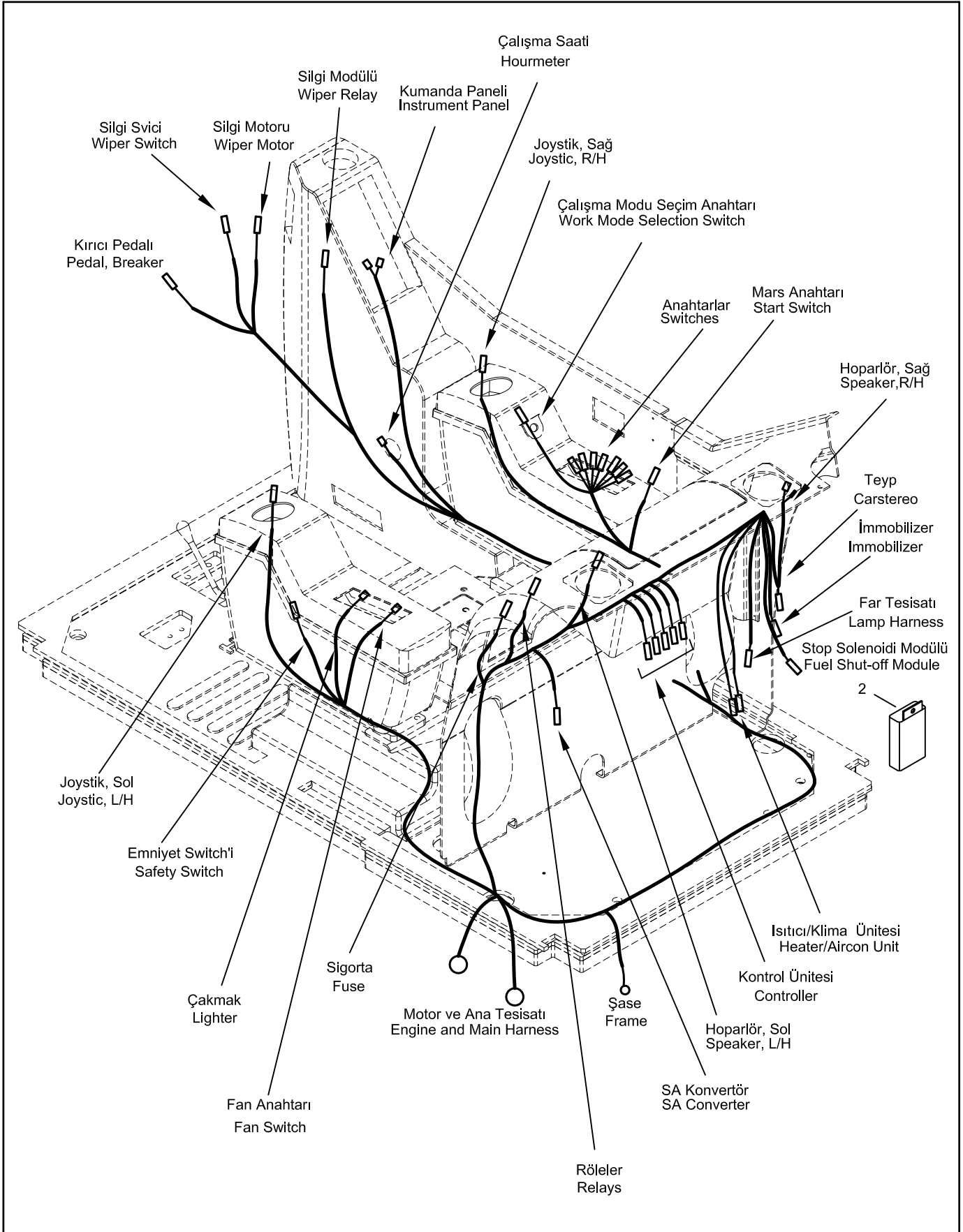


**MOTOR ELEKTRİK TESİSATI
ENGINE HARNESS**

No	Parça No	Adı	Adet	Not	Seri No	Y. Kul. S.K.
No	Part No	Description	Q'ty	Note	Serial No	ICA S.C.
1	H258000200	Motor Elektrik Tesisatı Engine Harness	1		5125001	D
	H258000201	Motor Elektrik Tesisatı Engine Harness	1	*, **	6125001-	D
1_1	527/06640	Sigorta, Büyük Boy Fuse	1	70A		
1_2	527/07710	Sigorta Yuvası Housing, Fuse	1			

(*) 6125001-7125178 seri nolu makinelerde klima müşürü bağlantısı için 20201040 MESA konnektörlü H258000201 tesisat isteyiniz. / Order H258000201 with 20201040 MESA connector to connect fuel transfer pump for 6125001-7125178 serial number machines. (**)
6125001-7125076 seri nolu makinelere kırıcı valfi bağlantısı olan H258000201 numaralı tesisatı isteyiniz. / Please order H258000201 numbered engine harness with breaker valve connector for 6125001-7125076 serial numbered machines.

KABİN ELEKTRİK TESİSATI CAB MAIN HARNESS

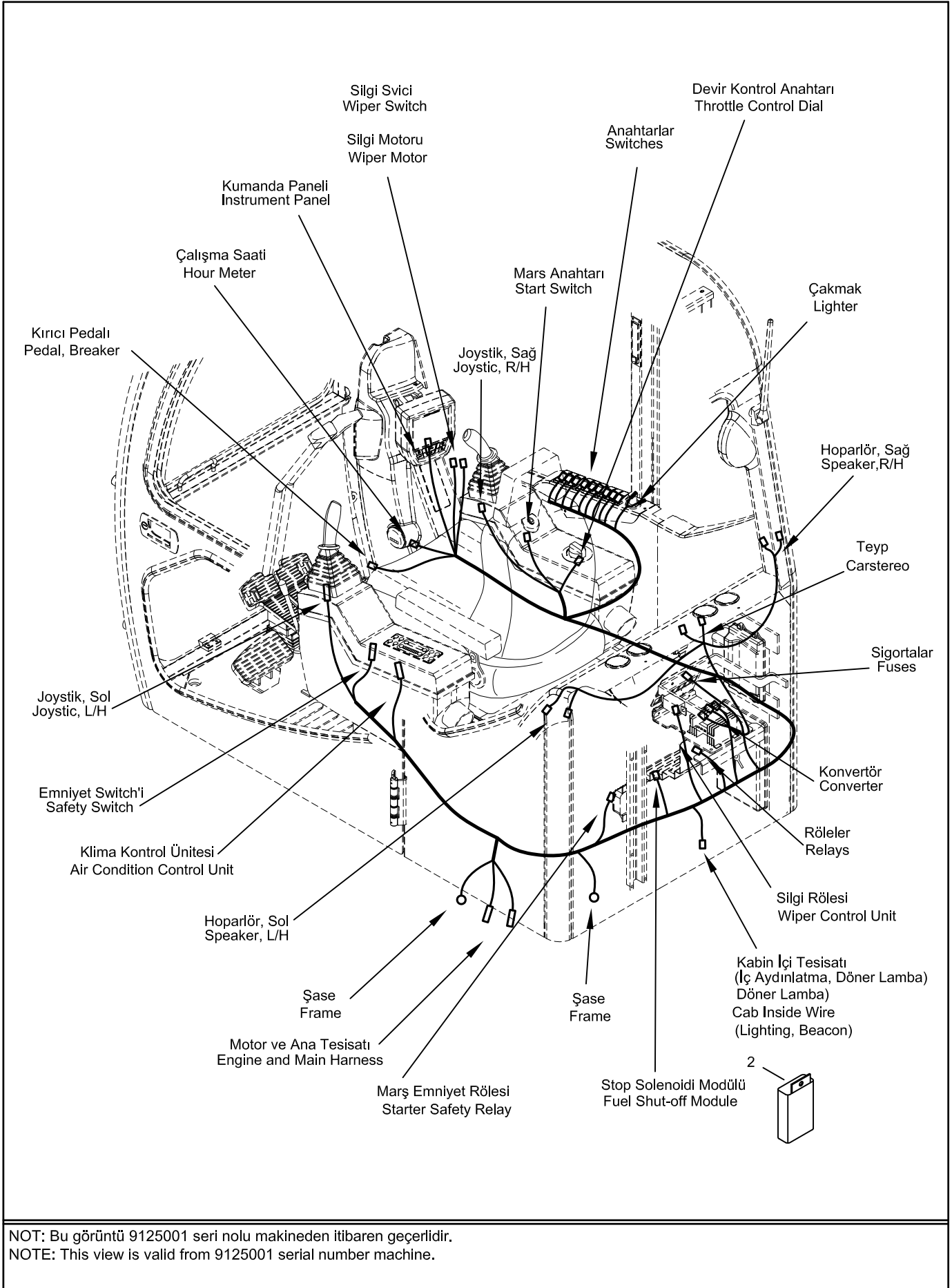


NOT: Bu görüntü 6125001-7125178 seri nolu makineler için geçerlidir.
NOTE: This view is valid for 6125001-7125178 serial number machines.

KABİN ELEKTRİK TESİSATI
CAB MAIN HARNESS

No	Parça No	Adı		Adet	Not	Seri No	Y. Kul. S.K.
No	Part No		Description	Q'ty	Note	Serial No	ICA S.C.
1	H258000400	Kabin Elektrik Tesisatı Cab Harness		1		5125001-6125001	D
	H258000401	Kabin Elektrik Tesisatı Cab Harness		1		6125002-7125064	D
	H258000403	Kabin Elektrik Tesisatı Cab Harness		1		7125065-7125178	D
2	H348015101	Stop Solenoidi	Fuel Shut-off	1			
		Modülü	Module				

KABİN ELEKTRİK TESİSATI CAB MAIN HARNESS



KABİN ELEKTRİK TESİSATI
CAB MAIN HARNESS

No	Parça No	Adı	Adet	Not	Seri No	Y. Kul. S.K.
No	Part No	Description	Q'ty	Note	Serial No	ICA S.C.
1	H348010405	Kabin Elektrik Tesisatı Cab Harness	1		9125001-	D
2	H348015101	Stop Solenoidi Modülü	Fuel Shut-off Module	1		

PARA NUMARASI INDEKSİ / PART NO INDEX

PARÇA NUMARASI İNDEKSİ

PART NO INDEX

Parça No Part No	No No	Sayfa Page	Parça No Part No	No No	Sayfa Page	Parça No Part No	No No	Sayfa Page
020/40190	13_6	251202-00	97N092221	26	253202-00	98Z030010	141	252701-00
515/20000	50	252701-00	97N092237	6	253201-00	98Z030010	141	252702-00
520/20000	5	250501-00	97N092237	15	253201-00	99N075615	45	250102-00
520/21010	36	258001-00	97N092240	7	253201-00	99N075616	45	250102-00
520/21010	42	258001-00	97N092240	9	253201-00	99N075626	38	250102-00
520/21020	7	250502-00	97N092240	13	253201-00	99N076721	49	250101-00
520/21020	5	250503-00	97N092248	17	253201-00	99N076724	49	250101-00
520/21020	37	258001-00	97N092250	73	250102-00	99N093216	1	253601-00
520/21020	42	258001-00	97P091243	47	253204-00	99N093216	1	253601-01
520/21030	38	258001-00	97P191160	19	253101-00	99N093247	14	253601-00
520/30000	6	250501-00	97P191160	20	253101-00	99N093247	14	253601-01
520/30050	6	250502-00	97Q091211	64	253203-00	99N094210	123	253003-00
520/30050	6	250503-00	97Q091217	3	255801-00	99N095209	56	253001-00
520/30050	31	258001-00	97Q091224	45	253203-00	99P093213	62	253204-00
520/30250	33	258001-00	97Q091236	63	253204-00	99P193248	18	253101-00
520/30500	32	258001-00	97Q091240	29	253601-00	99Q075612	34	250102-00
520/30550	30	258001-00	97Q091240	29	253601-01	99Q092237	37	253601-00
520/30700	34	258001-00	97Q091260	4	253203-00	99Q092237	37	253601-01
520/36000	35	258001-00	97Q092217	11	253201-00	99Q092247	9	253601-00
526/07510	20	258001-00	97Q092217	18	253201-00	99Q092247	9	253601-01
527/05450	6	258001-00	97Q092218	9	253205-00	99Q093247	4	253601-00
527/05500	7	258001-00	97Q092219	70	253204-00	99Q093247	4	253601-01
527/06050	8	258001-00	97Q092221	28	253205-00	99Q095209	56	253001-00
527/06100	9	258001-00	97Q092229	38	253201-00	99Q175627	47	250102-00
527/06200	10	258001-00	97Q092234	27	253202-00	99Q176739	51	250101-00
527/06640	1_1	258005-00	97Q092236	8	253201-00	99S092240	33	253601-00
527/07710	1_2	258005-00	97Q092236	10	253201-00	99S092240	33	253601-01
554/01000	101	252701-00	97Q092236	28	253202-00	99U093218	28	253204-00
554/01000	101	252702-00	97Q092236	29	253202-00	99V092253	19	253601-00
799/00450	32	252401-00	97Q092236	30	253202-00	99V092253	19	253601-01
810/40005	140	252701-00	97Q092236	31	253202-00	99V093272	26	253601-00
810/40005	140	252702-00	97Q092238	74	250102-00	99V093272	26	253601-01
810/40030	16	256004-00	97S091231	27	253205-00	F25/20411	58	252701-00
810/40046	29	256002-00	97S091231	29	253205-00	F25/20505	5	256104-00
810/40057	5	256003-00	97S091233	36	253601-00	F25/20511	38	256104-00
814/00155	33	256002-00	97S091233	36	253601-01	F25/20562	1	252701-00
814/00155	51	256003-00	97S092232	40	253201-00	F25/21000	38	252701-00
814/00155	55	256004-00	97S092232	26	253205-00	F31/13000	16	252601-00
814/00155	71	256004-00	97S092264	50	253204-00	F32/10510	25	258001-00
97K091276	3	253203-00	97U091246	61	253204-00	F32/10565	11	256003-00
97M091210	32	253202-00	97U092232	79	250102-00	F32/18690	27	256004-00
97N091206	32	253601-00	97U092232	39	253201-00	F32/18710	42	256104-00
97N091206	32	253601-01	98Y010250	30_14	251104-00	F99/15092	1_4	256101-00
97N091218	7	255801-00	98Y011000	30_23	251104-00	F99/15092	1_10	256102-00
97N091218	9	255801-00	98Y040120	38	251201-00	F99/15092	51	256103-00
97N091221	48	253001-00	98Y040120	38	251202-00	F99/15092	50	256104-00
97N091224	51	253204-00	98Y040140	13_25	251202-00	F99/20006	1_9	256102-00
97N091224	7	255801-00	98Y040140	25	252401-00	F99/25200	24	258001-00
97N091232	46	253203-00	98Y040150	39	251201-00	F99/25201	24_1	258001-00
97N091235	10	255801-00	98Z010010	1_6	251106-00	F99/25202	24_2	258001-00
97N091237	5	255801-00	98Z020010	10	251101-00	F99/25203	24_3	258001-00
97N091240	79	253203-00	98Z020010	10	251102-00	F99/25230	24_1	258001-00
97N091242	10	255801-00	98Z020010	10	251104-00	F99/50000	13_16	251202-00
97N091246	69	253204-00	98Z020010	30_37	251104-00	F99/60050	1_3_12	256102-00
97N091252	8	255801-00	98Z020010	13_11	251202-00	F99/60055	1_3_13	256102-00
97N092218	71	253204-00	98Z020010	54	252401-00	F99/60100	18	252601-00

PARÇA NUMARASI İNDEKSİ

PART NO INDEX

Parça No Part No	No No	Sayfa Page	Parça No Part No	No No	Sayfa Page	Parça No Part No	No No	Sayfa Page
F99/70100	84	250101-00	H251100300	1_1	251101-00	H251115000	66	251105-00
F99/70100	5	253203-00	H251100301	1_1	251101-00	H251115001	66	251105-00
F99/70100	44	253204-00	H251100302	1_1	251101-00	H251115500	58	251103-00
H06/7001102	36	252301-00	H251101500	1_2	251101-00	H251115501	58	251103-00
H233511000	65	253203-00	H251101601	1_2	251101-00	H251115503	58	251103-00
H233512000	550	253202-00	H251102500	16	251101-00	H251115600	58_1	251103-00
H233601300	51	253601-00	H251102502	16	251101-00	H251115601	58_1	251103-00
H233601300	51	253601-01	H251102503	16	251101-00	H251115603	58_1	251103-00
H238001700	45	258001-00	H251102600	16_1	251101-00	H251115900	58_2	251103-00
H238004500	31	258002-00	H251102602	16_1	251101-00	H251115901	58_2	251103-00
H238004600	21	258001-00	H251102603	16_1	251101-00	H251116000	58_3	251103-00
H238004600	32	258002-00	H251103000	16_11	251101-00	H251116001	58_3	251103-00
H238005500	47	258001-00	H251103002	16_11	251101-00	H251116100	58_4	251103-00
H242411900	38	252401-00	H251103003	16_11	251101-00	H251116101	58_4	251103-00
H250100000		250101-00	H251103800	16_2	251101-00	H251116300	58_8	251103-00
H250100001		250101-00	H251103801	16_2	251101-00	H251116400	58_11	251103-00
H250100100	1	250102-00	H251103802	16_2	251101-00	H251116401	58_11	251103-00
H250100300	5	250102-00	H251104000	24	251102-00	H251116800	59	251103-00
H250100500	9	250102-00	H251104001	24	251102-00	H251116801	59	251103-00
H250100600	17	250101-00	H251104002	24	251102-00	H251116802	59	251103-00
H250100601	17	250101-00	H251104100	24_1	251102-00	H251116900	30_36	251104-00
H250101000	18	250101-00	H251104101	24_1	251102-00	H251117000	43	251103-00
H250101001	18	250101-00	H251104102	24_1	251102-00	H251117500	33	251104-00
H250101100	19	250101-00	H251105300	24_2	251102-00	H251117501	33	251104-00
H250101300	20	250101-00	H251105401	24_2	251102-00	H251118000	17	251101-00
H250101500	21	250101-00	H251106500	25	251102-00	H251118001	17	251101-00
H250102000	22	250101-00	H251106502	25	251102-00	H251118100	26	251102-00
H250102000	29	250101-00	H251106503	25	251102-00	H251118101	26	251102-00
H250102100	23	250101-00	H251106600	25_1	251102-00	H251118500	48	251103-00
H250102100	30	250101-00	H251106602	25_1	251102-00	H251118800	70	251101-00
H250102200	26	250101-00	H251106603	25_1	251102-00	H251118900	82	251102-00
H250102400	61	250101-00	H251107000	25_11	251102-00	H251119100	83	251102-00
H250102500	67	250101-00	H251107002	25_11	251102-00	H251119300	17	251106-00
H250102501	67	250101-00	H251107003	25_11	251102-00	H251119400	21	251106-00
H250102600	68	250101-00	H251107600	25_2	251102-00	H251119401	21	251106-00
H250102601	68	250101-00	H251107601	25_2	251102-00	H251119500	22	251106-00
H250120000		250103-00	H251107602	25_2	251102-00	H251119501	22	251106-00
H250120100	8	250103-00	H251108000	30	251104-00	H251120000	1	251106-00
H250120100	102	250103-00	H251108001	30	251104-00	H251120001	1	251106-00
H250120200	12	250103-00	H251108002	30	251104-00	H251120100	1_1	251106-00
H250120200	106	250103-00	H251108100	30_1	251104-00	H251120101	1_1	251106-00
H250120500	1	250103-00	H251108101	30_1	251104-00	H251122900	1_7	251106-00
H250122500	3	250103-00	H251108102	30_1	251104-00	H251122901	1_7	251106-00
H250123000	2	250103-00	H251110900	30_2	251104-00	H251123000	1_16	251106-00
H250125000		250103-00	H251111001	30_2	251104-00	H251123001	1_16	251106-00
H250125100	101	250103-00	H251111100	30_6	251104-00	H251123500	1_17	251106-00
H250300000	1B	255301-00	H251111300	30_10	251104-00	H251123600	1_18	251106-00
H250300100	1_1B	255301-00	H251111500	30_15	251104-00	H251123700	1_19	251106-00
H250315000	1C	255301-00	H251111700	30_19	251104-00	H251123800	1_20	251106-00
H250315100	1_1C	255301-00	H251111800	30_24	251104-00	H251124200	5	251106-00
H250397000	1	250301-00	H251113500	31	251104-00	H251125000	1_13	251106-00
H251000100	1	251201-00	H251113501	31	251104-00	H251125100	74	251103-00
H251000102	1	251201-00	H251113502	31	251104-00	H251125600	75	251103-00
H251100200	1	251101-00	H251113600	31_1	251104-00	H251200200	2	251201-00
H251100201	1	251101-00	H251113601	31_1	251104-00	H251200201	2	251201-00
H251100202	1	251101-00	H251113602	31_1	251104-00	H251200300	3	251201-00

PARÇA NUMARASI İNDEKSİ

PART NO INDEX

Parça No Part No	No No	Sayfa Page	Parça No Part No	No No	Sayfa Page	Parça No Part No	No No	Sayfa Page
H251200301	3	251201-00	H252200300	3	252201-00	H252700900	48	252701-00
H251200401	4	251201-00	H252200400	4	252201-00	H252701000	54	252701-00
H251200500	5	251201-00	H252200500	5	252201-00	H252701100	51	252701-00
H251200501	5	251201-00	H252200700	5_2	252201-00	H252701200	14	252701-00
H251200600	6	251201-00	H252200800	5_1	252201-00	H252710100	17	252702-00
H251200601	6	251201-00	H252200900	5_7	252201-00	H252710200	13	252702-00
H251200700	7	251201-00	H252310100	1	252301-00	H252710300	6	252702-00
H251200701	7	251201-00	H252310300	6	252301-00	H252710400	3	252702-00
H251200800	8	251201-00	H252310400	7	252301-00	H252710500	16	252702-00
H251200801	8	251201-00	H252310500	9	252301-00	H252710600	14	252702-00
H251200902	9	251201-00	H252310600	13	252301-00	H253000100	1	253001-00
H2512010001	10	251202-00	H252310700	15	252301-00	H253000200	4	253002-00
H251201200	11	251201-00	H252310800	16	252301-00	H253000400	5	253002-00
H251201201	11	251201-00	H252310900	19	252301-00	H253000500	6	253002-00
H251201300	12	251201-00	H252311000	21	252301-00	H253000800	11	253001-00
H251201301	12	251201-00	H252311100	22	252301-00	H253000900	15	253002-00
H251201400	13	251202-00	H252410100	1	252401-00	H253001000	16	253002-00
H251201500	14_1	251201-00	H252410100	10280A	252402-00	H253001200	21	253003-00
H251204600	15	251203-00	H252410300	10255	252402-00	H253001200		253012-00
H251204700	16	251203-00	H252410400	11700	252402-00	H253001300	24	253001-00
H251204800	17	251203-00	H252410500	10266	252402-00	H253001400	25	253003-00
H251204900	18	251203-00	H252410800	2	252401-00	H253001500	26	253003-00
H251205000	19	251203-00	H252410900	6	252401-00	H253001700	35	253002-00
H251205100	20	251203-00	H252411000	7	252401-00	H253001900	39	253001-00
H251205200	21	251202-00	H252411100	12	252401-00	H253002000		253017-00
H251205201	21	251202-00	H252411200	17	252401-00	H253002100		253016-00
H251205202	21	251202-00	H252411400	22	252401-00	H253002200	59	253002-00
H251205300	22	251201-00	H252411500	26	252401-00	H253002400	60	253001-00
H251205301	22	251201-00	H252411600	35	252401-00	H253002500	61	253001-00
H251205500	14_8	251201-00	H252411700	36	252401-00	H253002600	66	253001-00
H251205800	13_1	251202-00	H252411800	37	252401-00	H253002700	71	253001-00
H251208400	14	251201-00	H252412000	40	252401-00	H253002800	75	253002-00
H251208500	14_1	251201-00	H252412100	41	252401-00	H253002900	80	253002-00
H251208501	14_1	251201-00	H252412200	44	252401-00	H253003000	81	253001-00
H251210100	51	251201-00	H252412300	45	252401-00	H253003100	82	253001-00
H251210800	14_2	251201-00	H252412400	46	252401-00	H253003200	87	253002-00
H251210900	14_6	251201-00	H252412600	49	252401-00	H253003300	88	253002-00
H251211001	14_7	251201-00	H252412700	50	252401-00	H253003400	93	253001-00
H251211002	14_7	251201-00	H252412800	51	252401-00	H253003600	102	253003-00
H251211300	61	251201-00	H252412900	52	252401-00	H253003800	109	253001-00
H252000100	1	252001-00	H252413000	53	252401-00	H253004100	117	253003-00
H252000200	2	252001-00	H252413400	55	252401-00	H253004900	121	253003-00
H252000800	3	252001-00	H252500300	1	252501-00	H25300600	7	253003-00
H252001100	4	252001-00	H252500301	1	252501-00	H253100100	4	253101-00
H252001200	5	252001-00	H252501700	21	252501-00	H253100300	17	253101-00
H252001300	6	252001-00	H252501800	23	252501-00	H253100300	21	253101-00
H252001400	7	252001-00	H252600100	1	252601-00	H253110200	2	252301-00
H252001500	8	252001-00	H252600200	4	252601-00	H253200200	16	253202-00
H252001600	9	252001-00	H252600600	7	252601-00	H253200500	14	253202-00
H252001700	10	252001-00	H252600700	13	252601-00	H253200600	14_1	253202-00
H252001800	01951B	252008-00	H252600800	17	252601-00	H253200700	19	253203-00
H252002000	24	252001-00	H252600900	26	252601-00	H253201100	29	253204-00
H252100100	1	252101-00	H252601200	22	252601-00	H253201500	72	253203-00
H252100200	2	252101-00	H252700300	5	252701-00	H253201500		253208-00
H252200100	1	252201-00	H252700600	9	252701-00	H253203000	16_1	253202-00
H252200200	2	252201-00	H252700800	46	252701-00	H253300100	1	253301-00

PARÇA NUMARASI İNDEKSİ

PART NO INDEX

Parça No Part No	No No	Sayfa Page	Parça No Part No	No No	Sayfa Page	Parça No Part No	No No	Sayfa Page
H253300101	1	253301-00	H253803300	79	253601-00	H255200102	1_1A	255201-00
H253300200	2	253301-00	H253803300	79	253601-01	H255203400	1_2	255201-00
H253300201	2	253301-00	H254000100	1	254101-00	H255203500	1_4	255201-00
H253300300	3	253301-00	H254000101	1	254101-00	H255203600	1_6	255201-00
H253300301	3	253301-00	H254006900	2	254101-00	H255210000	1B	255201-00
H253300400	4	253301-00	H254100200	2	254101-00	H255210100	1_1B	255201-00
H253300401	4	253301-00	H254100300	5	254101-00	H255302800	1_2	255301-00
H253300500	5	253301-00	H254100700	13	254101-00	H255302800	1_2	255301-00
H253300501	5	253301-00	H254100701	13	254101-00	H255302800	1_2	255301-00
H253300700	6	253301-00	H254100800	37	254101-00	H255302900	1_3	255301-00
H253300701	6	253301-00	H254101300	17	254101-00	H255302900	1_3	255301-00
H253300900	7	253301-00	H254101300		254104-00	H255302900	1_3	255301-00
H253301000	8	253301-00	H254101500	42	254101-00	H255303100	1_5	255301-00
H253301001	8	253301-00	H254101600	43	254101-00	H255303200	1_6	255301-00
H253301200	9	253301-00	H254101700	44	254101-00	H255303300	1_4	255301-00
H253301201	9	253301-00	H254102900	18	254101-00	H255303300	1_4	255301-00
H253301400	10	253301-00	H254102900		254105-00	H255303300	1_4	255301-00
H253301600	11	253301-00	H254104800	22	254101-00	H255303400	24	255401-00
H253301800	21	253301-00	H254105100	31	254101-00	H255303500	1_10	255301-00
H253400200	1	253401-00	H254105100		254103-00	H255303600	1_13	255301-00
H253400201	1	253401-00	H254105900	34	254101-00	H255303700	1_11	255301-00
H253400202	1	253401-00	H254105900		254102-00	H255303800	1_12	255301-00
H253401200	18	253401-00	H254107000	3	254101-00	H255310000	1A	255301-00
H253401201	18	253401-00	H254200100	40	254101-00	H255310001	1A	255301-00
H253401600	16	252501-00	H254200100		254201-00	H255310100	1_1A	255301-00
H253404400	17	253401-00	H255000100	4	255101-00	H255310101	1_1A	255301-00
H253405400	13	253401-00	H255000400	5	255101-00	H255400100	1	255401-00
H253600100	46	253601-00	H255000700	6	255101-00	H255400200	2	255401-00
H253600100	46	253601-01	H255000800	7	255101-00	H255400400	3	255401-00
H253600400	74	253601-00	H255000800	7	255201-00	H255400401	3	255401-00
H253600400	74	253601-01	H255000900	8	255201-00	H255400500	3_1	255401-00
H253600800	48	253601-00	H255001200	9	255201-00	H255400501	3_1	255401-00
H253600801	48	253601-01	H255001400	11	255401-00	H255400502	3_1	255401-00
H253601000	53	253601-00	H255001500	12	255401-00	H255401100	3_2	255401-00
H253601001	53	253601-01	H255001600	13	255401-00	H255401200	3_3	255401-00
H253601400	66	253601-00	H255002000	14	255101-00	H255401201	3_3	255401-00
H253601401	66	253601-01	H255002100	15	255201-00	H256103800	1	256101-00
H253601600	69	253601-00	H255002100	15	255401-00	H256104000	1_2	256101-00
H253601600	69	253601-01	H255002200	16	255101-00	H256104001	1_2	256101-00
H253601900	64	253601-00	H255002300	17	255101-00	H257000200	1	257001-00
H253601900	64	253601-01	H255002300	17	255201-00	H257000200	1	257002-00
H253602100	60	253601-00	H255002400	18	255201-00	H257000400	46	257001-00
H253602100	60	253601-01	H255002500	19	255401-00	H257002701	22	257001-00
H253602400	67	253601-00	H255002600	20	255401-00	H257002800	23	257001-00
H253602400	67	253601-01	H255002700	32	255101-00	H257003600	30	257001-00
H253602500	54	253601-00	H255100100	1	255101-00	H257003601	30	257001-00
H253602500	54	253601-01	H255100100	1_1	255101-00	H257004700	36	257001-00
H253602600	40	253601-00	H255100101	1	255101-00	H257004700	36	257002-00
H253602900	63	253601-00	H255100101	1_1	255101-00	H257004901	38	257001-00
H253602900	63	253601-01	H255103900	23	255101-00	H257004901	38	257002-00
H253603000	47	253601-00	H255104000	1_2	255101-00	H257005301	34	257001-00
H253603000	47	253601-01	H255200000	1A	255201-00	H257005301	34	257002-00
H253603100	59	253601-00	H255200001	1A	255201-00	H257005800	47	257001-00
H253603100	59	253601-01	H255200002	1A	255201-00	H257005800	47	257002-00
H253603200	68	253601-00	H255200100	1_1A	255201-00	H257005900	48	257001-00
H253603200	68	253601-01	H255200101	1_1A	255201-00	H257005900	48	257002-00

PARÇA NUMARASI İNDEKSİ

PART NO INDEX

Parça No Part No	No No	Sayfa Page	Parça No Part No	No No	Sayfa Page	Parça No Part No	No No	Sayfa Page
H257006300	49	257001-00	H259001021	01298B	252009-00	H259001075	10088B	252032-00
H257006300	49	257002-00	H259001022	01298C	252009-00	H259001076	04985	252011-00
H257006400	33	257001-00	H259001023	01298E	252009-00	H259001077	04986	252011-00
H257006400	33	257002-00	H259001024	03407	252009-00	H259001077	04974	252020-00
H257006500	32	257001-00	H259001025	03411	252009-00	H259001078	01395	252012-00
H257006500	32	257002-00	H259001026	01305	252010-00	H259001079	02100A	252012-00
H257007200	46	257001-00	H259001027	01307	252010-00	H259001080	02116	252012-00
H257010400	46	257002-00	H259001028	01313	252010-00	H259001080	81984	252012-00
H257012701	22	257002-00	H259001029	01342	252010-00	H259001080	04184B	252018-00
H257012800	23	257002-00	H259001030	01342	252010-00	H259001081	02122	252012-00
H257013600	30	257002-00	H259001031	01342	252010-00	H259001082	02179B	252012-00
H257013601	30	257002-00	H259001032	01342	252010-00	H259001083	02179B	252012-00
H257017200	46	257002-00	H259001033	01342	252010-00	H259001084	02183	252012-00
H258000200	1	258005-00	H259001034	01342	252010-00	H259001084	14199C	252037-00
H258000300	1	258004-00	H259001035	01361	252010-00	H259001085	02185B	252012-00
H258000301	1	258004-00	H259001036	01381	252010-00	H259001086	02188B	252012-00
H258000400	1	258006-00	H259001037	01385N	252010-00	H259001087	02191	252012-00
H258000401	1	258006-00	H259001038	01386N	252010-00	H259001088	02192	252012-00
H258001000	4	258003-00	H259001039	01387K	252010-00	H259001089	02192B	252012-00
H258001300	19	258003-00	H259001040	01387M	252010-00	H259001089	04178B	252017-00
H258001600	20	258003-00	H259001040	03788C	252013-00	H259001090	02192C	252012-00
H258001800	36	258002-00	H259001041	01395BE	252010-00	H259001090	04096B	252017-00
H258003000	1	258003-00	H259001042	01395H	252010-00	H259001090	04098	252017-00
H258003400	15	258003-00	H259001043	01395K	252010-00	H259001091	02192C	252012-00
H258003500	1	258001-00	H259001044	01395M	252010-00	H259001092	03030A	252012-00
H258003600	17	258001-00	H259001045	01395N	252010-00	H259001093	03034	252012-00
H258003601	17	258001-00	H259001046	01395NE	252010-00	H259001094	03080	252012-00
H258003800	22	258002-00	H259001047	01396B	252010-00	H259001095	03797	252012-00
H258004000	29	258002-00	H259001048	01396C	252010-00	H259001097	03006	252013-00
H258004100	30	258002-00	H259001049	01396D	252010-00	H259001098	03010A	252013-00
H258004500	33	258002-00	H259001050	01396E	252010-00	H259001099	03010A	252013-00
H258005900	22_3	258002-00	H259001051	01397J	252010-00	H259001100	03010A	252013-00
H258006000	22_4	258002-00	H259001052	01397N	252010-00	H259001101	03010A	252013-00
H258009000	49	258001-00	H259001053	03033	252010-00	H259001102	03010A	252013-00
H258012000	48	258001-00	H259001054	03040	252010-00	H259001103	03010A	252013-00
H259001001	01010A	252002-00	H259001055	03040	252010-00	H259001104	03016	252013-00
H259001002	01200A	252003-00	H259001056	03040	252010-00	H259001105	03022	252013-00
H259001003	01300A	252004-00	H259001057	03040	252010-00	H259001106	03036	252013-00
H259001004	01340	252005-00	H259001058	03040	252010-00	H259001107	03037	252013-00
H259001005	01340	252005-00	H259001059	03044	252010-00	H259001108	03037	252013-00
H259001006	01340	252005-00	H259001060	03044	252010-00	H259001109	03047	252013-00
H259001007	03000A	252006-00	H259001061	03044	252010-00	H259001110	03050	252013-00
H259001008	01070	252007-00	H259001062	03044	252010-00	H259001111	03050	252013-00
H259001009	01100	252008-00	H259001063	01500	252011-00	H259001112	03050	252013-00
H259001010	01110	252008-00	H259001065	01508	252011-00	H259001113	03050	252013-00
H259001011	01124	252008-00	H259001066	01510	252011-00	H259001114	03050	252013-00
H259001012	01198B	252008-00	H259001067	01521	252011-00	H259001115	03060	252013-00
H259001014	01978C	252008-00	H259001068	01587	252011-00	H259001116	03775	252013-00
H259001014	04997F	252020-00	H259001069	01597B	252011-00	H259001117	03787	252013-00
H259001015	01981B	252008-00	H259001070	01597B	252011-00	H259001118	03788B	252013-00
H259001015	04973E	252020-00	H259001070	12099D	252035-00	H259001120	03798	252013-00
H259001016	01981C	252008-00	H259001071	1597D	252011-00	H259001121	03100	252014-00
H259001017	01981D	252008-00	H259001072	1598F	252011-00	H259001122	03146	252014-00
H259001018	01987	252008-00	H259001073	04911	252011-00	H259001123	03172	252014-00
H259001019	01210	252009-00	H259001074	04912	252011-00	H259001124	03196	252014-00
H259001020	01287	252009-00	H259001075	04956	252011-00	H259001124	03297	252015-00

PARÇA NUMARASI İNDEKSİ

PART NO INDEX

Parça No Part No	No No	Sayfa Page	Parça No Part No	No No	Sayfa Page	Parça No Part No	No No	Sayfa Page
H259001125	03264B	252014-00	H259001179	04037R	252017-00	H259001241	04997C	252020-00
H259001126	03264C	252014-00	H259001180	04037R	252017-00	H259001243	04998D	252020-00
H259001127	03266B	252014-00	H259001181	04042	252017-00	H259001244	04998E	252020-00
H259001128	03266C	252014-00	H259001182	04045	252017-00	H259001245	04998F	252020-00
H259001129	03267B	252014-00	H259001183	04077	252017-00	H259001246	12548	252020-00
H259001130	03268B	252014-00	H259001184	04089	252017-00	H259001247	12617	252020-00
H259001131	03276	252014-00	H259001187	04099	252017-00	H259001248	12621	252020-00
H259001132	03277	252014-00	H259001188	04124	252017-00	H259001249	05300	252022-00
H259001133	03300	252014-00	H259001189	04135B	252017-00	H259001250	05300A	252022-00
H259001134	03302B	252014-00	H259001190	04161B	252017-00	H259001251	05314	252022-00
H259001135	03302C	252014-00	H259001191	04161C	252017-00	H259001252	05399	252022-00
H259001136	03302D	252014-00	H259001192	04161D	252017-00	H259001253	05482C	252022-00
H259001137	03302E	252014-00	H259001193	04171	252017-00	H259001254	05494	252022-00
H259001138	03316	252014-00	H259001195	04178G	252017-00	H259001255	05496B	252022-00
H259001139	03323	252014-00	H259001196	04100A	252018-00	H259001256	07501M	252022-00
H259001140	03356	252014-00	H259001197	04101	252018-00	H259001257	07501N	252022-00
H259001141	03410	252014-00	H259001198	04121A	252018-00	H259001258	02967C	252023-00
H259001142	03416	252014-00	H259001199	04150	252018-00	H259001259	02969DE	252023-00
H259001143	03417	252014-00	H259001200	04181	252018-00	H259001259	11424G	252034-00
H259001144	03420	252014-00	H259001201	04182B	252018-00	H259001260	07000A	252023-00
H259001145	03026	252015-00	H259001203	04191	252018-00	H259001261	07008	252023-00
H259001146	03107B	252015-00	H259001204	04191B	252018-00	H259001262	07010A	252023-00
H259001147	03107C	252015-00	H259001205	04191C	252018-00	H259001263	07011	252023-00
H259001148	03133A	252015-00	H259001206	04199	252018-00	H259001263	07010A	252028-00
H259001149	03134A	252015-00	H259001207	04300A	252019-00	H259001264	07013A	252023-00
H259001150	03136	252015-00	H259001208	04311A	252019-00	H259001265	07019B	252023-00
H259001151	03156	252015-00	H259001209	04322	252019-00	H259001266	07020A	252023-00
H259001152	03157	252015-00	H259001210	04334	252019-00	H259001266	07020A	252029-00
H259001153	03174	252015-00	H259001211	04346	252019-00	H259001267	07024	252023-00
H259001154	03271	252015-00	H259001212	04353	252019-00	H259001268	07027	252023-00
H259001155	03295	252015-00	H259001213	04375	252019-00	H259001269	07028	252023-00
H259001156	03295B	252015-00	H259001214	04379C	252019-00	H259001270	07030A	252023-00
H259001157	03296	252015-00	H259001215	04379F	252019-00	H259001270	07030A	252027-00
H259001159	03298C	252015-00	H259001216	04381	252019-00	H259001271	07037	252023-00
H259001160	03298D	252015-00	H259001217	04385B	252019-00	H259001272	07037B	252023-00
H259001161	03298E	252015-00	H259001218	04385C	252019-00	H259001273	07040A	252023-00
H259001162	03298F	252015-00	H259001218	04385D	252019-00	H259001273	07040A	252025-00
H259001163	01306	252016-00	H259001220	04399	252019-00	H259001273	07040A	252026-00
H259001164	01307D	252016-00	H259001221	04399B	252019-00	H259001274	07047	252023-00
H259001165	01385D	252016-00	H259001222	04232	252020-00	H259001275	07049	252023-00
H259001166	01392	252016-00	H259001223	04925B	252020-00	H259001276	07051	252023-00
H259001167	01397	252016-00	H259001224	04925C	252020-00	H259001277	07075	252023-00
H259001167	05477B	252031-00	H259001225	04925D	252020-00	H259001278	07156	252023-00
H259001167	32	252301-00	H259001226	04973C	252020-00	H259001279	07331B	252023-00
H259001168	02200B	252016-00	H259001228	04973F	252020-00	H259001280	07339CB	252023-00
H259001169	02200C	252016-00	H259001230	04978	252020-00	H259001281	07342	252023-00
H259001170	02251	252016-00	H259001231	04987E	252020-00	H259001282	07347	252023-00
H259001170	10115	252033-00	H259001232	04987F	252020-00	H259001283	07347BE	252023-00
H259001171	01526	252017-00	H259001233	04994C	252020-00	H259001284	07347C	252023-00
H259001172	04000A	252017-00	H259001234	04994D	252020-00	H259001285	07362	252023-00
H259001173	04005	252017-00	H259001235	04996C	252020-00	H259001286	07397	252023-00
H259001174	04007	252017-00	H259001236	04996D	252020-00	H259001287	07102	252024-00
H259001175	04016	252017-00	H259001237	04996H	252020-00	H259001288	07104B	252024-00
H259001176	04033	252017-00	H259001238	04996J	252020-00	H259001289	07104C	252024-00
H259001177	04037L	252017-00	H259001239	04997B	252020-00	H259001290	07104D	252024-00
H259001178	04037L	252017-00	H259001240	04997B	252020-00	H259001291	07109	252024-00

PARÇA NUMARASI İNDEKSİ

PART NO INDEX

Parça No Part No	No No	Sayfa Page	Parça No Part No	No No	Sayfa Page	Parça No Part No	No No	Sayfa Page
H259001292	07113C	252024-00	H259001350	07255B	252026-00	H259001409	07406D	252030-00
H259001293	07117B	252024-00	H259001351	07269K	252026-00	H259001410	07410A	252030-00
H259001294	07119C	252024-00	H259001352	07278F	252026-00	H259001411	07414	252030-00
H259001295	07122	252024-00	H259001353	07017	252027-00	H259001412	07420	252030-00
H259001296	07123	252024-00	H259001355	07353	252027-00	H259001413	07429	252030-00
H259001297	07126C	252024-00	H259001356	07353B	252027-00	H259001414	07429	252030-00
H259001298	07126E	252024-00	H259001357	07354	252027-00	H259001415	07429	252030-00
H259001299	07134	252024-00	H259001358	07358	252027-00	H259001416	07429	252030-00
H259001300	07135	252024-00	H259001359	07359	252027-00	H259001417	07429	252030-00
H259001301	07136A	252024-00	H259001360	07359A	252027-00	H259001418	07429	252030-00
H259001302	07137	252024-00	H259001361	07361	252027-00	H259001419	07432B	252030-00
H259001303	07143E	252024-00	H259001362	07361C	252027-00	H259001420	07434B	252030-00
H259001304	07144B	252024-00	H259001363	07364	252027-00	H259001421	07488B	252030-00
H259001305	07144C	252024-00	H259001364	07367	252027-00	H259001422	07491	252030-00
H259001306	07146E	252024-00	H259001365	07368	252027-00	H259001423	07493B	252030-00
H259001307	07146E	252024-00	H259001366	07369	252027-00	H259001424	07493C	252030-00
H259001308	07146E	252024-00	H259001367	07372	252027-00	H259001425	07494	252030-00
H259001309	07146E	252024-00	H259001368	07375	252027-00	H259001426	07498C	252030-00
H259001310	07147C	252024-00	H259001369	07381	252027-00	H259001427	05467	252031-00
H259001311	07149B	252024-00	H259001370	07381B	252027-00	H259001428	05467E	252031-00
H259001312	07149C	252024-00	H259001371	07381C	252027-00	H259001429	05473	252031-00
H259001313	07151	252024-00	H259001372	07383C	252027-00	H259001431	07511	252031-00
H259001314	07154A	252024-00	H259001373	07383C	252027-00	H259001432	07512	252031-00
H259001315	07155B	252024-00	H259001374	07383C	252027-00	H259001433	10000A	252032-00
H259001317	07207SB	252025-00	H259001375	07383C	252027-00	H259001434	10010	252032-00
H259001318	07207SC	252025-00	H259001376	07383C	252027-00	H259001435	10012	252032-00
H259001319	07217	252025-00	H259001377	07383C	252027-00	H259001436	10013	252032-00
H259001320	07217A	252025-00	H259001378	07384	252027-00	H259001437	10021	252032-00
H259001321	07217B	252025-00	H259001379	07385	252027-00	H259001438	10022	252032-00
H259001322	07221D	252025-00	H259001380	07385B	252027-00	H259001439	10025	252032-00
H259001323	07227T	252025-00	H259001381	07387	252027-00	H259001440	10040	252032-00
H259001324	07236C	252025-00	H259001382	07010	252028-00	H259001441	10041	252032-00
H259001325	07236F	252025-00	H259001384	07307B	252028-00	H259001442	10043	252032-00
H259001326	07243E	252025-00	H259001385	07307C	252028-00	H259001443	10044	252032-00
H259001327	07243K	252025-00	H259001386	07309	252028-00	H259001445	10146	252032-00
H259001328	07243M	252025-00	H259001387	07315	252028-00	H259001446	10100A	252033-00
H259001329	07243SC	252025-00	H259001388	07316C	252028-00	H259001447	10106	252033-00
H259001330	07247	252025-00	H259001389	07321	252028-00	H259001448	10110	252033-00
H259001331	07249B	252025-00	H259001390	07325	252028-00	H259001450	10122	252033-00
H259001332	07269S	252025-00	H259001391	07326	252028-00	H259001451	10176	252033-00
H259001334	07207F	252026-00	H259001392	07020	252029-00	H259001452	10177E	252033-00
H259001335	07207F	252026-00	H259001394	07020B	252029-00	H259001453	10177F	252033-00
H259001336	07209	252026-00	H259001395	07181	252029-00	H259001454	10801	252033-00
H259001337	07221C	252026-00	H259001396	07181B	252029-00	H259001454	11	258002-00
H259001338	07227B	252026-00	H259001397	07181C	252029-00	H259001455	11311	252034-00
H259001339	07232A	252026-00	H259001398	07181D	252029-00	H259001456	11400	252034-00
H259001340	07236A	252026-00	H259001399	07184B	252029-00	H259001457	11404	252034-00
H259001341	07236B	252026-00	H259001400	07184C	252029-00	H259001458	11424	252034-00
H259001342	07236D	252026-00	H259001401	07185B	252029-00	H259001459	11424E	252034-00
H259001343	07236K	252026-00	H259001402	07185D	252029-00	H259001461	11424Q	252034-00
H259001344	07236KB	252026-00	H259001403	07400A	252030-00	H259001462	11442C	252034-00
H259001345	07239	252026-00	H259001404	07403	252030-00	H259001463	11442E	252034-00
H259001346	07239B	252026-00	H259001405	07404	252030-00	H259001464	11615	252034-00
H259001347	07243G	252026-00	H259001406	07405	252030-00	H259001465	82802	252034-00
H259001348	07249C	252026-00	H259001407	07406B	252030-00	H259001466	12000	252035-00
H259001349	07249C	252026-00	H259001408	07406C	252030-00	H259001467	12002	252035-00

PARÇA NUMARASI İNDEKSİ

PART NO INDEX

Parça No Part No	No No	Sayfa Page	Parça No Part No	No No	Sayfa Page	Parça No Part No	No No	Sayfa Page
H259001468	12010	252035-00	H259001526	14223	252038-00	H259010015	981	253012-00
H259001469	12043B	252035-00	H259001527	14225A	252038-00	H259010016	983	253012-00
H259001470	12043C	252035-00	H259001528	14292	252038-00	H259010017	•	253012-00
H259001471	12088B	252035-00	H259001529	14296B	252038-00	H259010018	•	253012-00
H259001472	12089E	252035-00	H259001530	14782	252038-00	H259010019	•	253012-00
H259001473	12099	252035-00	H259001531	14788C	252038-00	H259010020	•	253012-00
H259001473	12099C	252035-00	H259001532	14799F	252038-00	H259010021	•	253012-00
H259001474	12099B	252035-00	H259001533	71720T	252039-00	H259010022	•	253012-00
H259001477	11899	252036-00	H259001534	83498BF	252040-00	H259010023	•	253012-00
H259001478	12500A	252036-00	H259001535	83498S	252040-00	H259010024	•	253012-00
H259001479	12503	252036-00	H259001540	10	252301-00	H259010025	N2	253012-00
H259001480	12504	252036-00	H259001541	27	252301-00	H259010026	•	253013-00
H259001481	12520	252036-00	H259001542	28	252301-00	H259010027		253015-00
H259001482	12521	252036-00	H259001543	29	252301-00	H259015001	1	253007-00
H259001483	12544A	252036-00	H259001544	30	252301-00	H259015002	2	253007-00
H259001484	12545	252036-00	H259001545	31	252301-00	H259015003	3	253007-00
H259001485	12572B	252036-00	H259001547	34	252301-00	H259015004	4	253007-00
H259001486	12572C	252036-00	H259001548	47	252401-00	H259015005	5	253006-00
H259001487	12597B	252036-00	H259001548	48	252401-00	H259015005	5	253007-00
H259001488	12597C	252036-00	H259001550	57	252401-00	H259015006	6	253007-00
H259001489	12606	252036-00	H259001551	58	252401-00	H259015007	7	253006-00
H259001490	12623	252036-00	H259001552	10257A	252402-00	H259015007	7	253007-00
H259001491	12769C	252036-00	H259001553	10277	252402-00	H259015008	8	253006-00
H259001492	12772	252036-00	H259001554	10321	252402-00	H259015008	8	253007-00
H259001493	12778	252036-00	H259001555	10435	252402-00	H259015012	12	253006-00
H259001494	12784B	252036-00	H259001556	10445F	252402-00	H259015012	12	253007-00
H259001495	12798B	252036-00	H259001557	10449	252402-00	H259015013	13	253006-00
H259001496	12798C	252036-00	H259001557	11799C	252402-00	H259015014	14	253006-00
H259001497	12798D	252036-00	H259001558	10449J	252402-00	H259015015	15	253006-00
H259001498	12799B	252036-00	H259001559	10449J	252402-00	H259015016	16	253006-00
H259001499	12799C	252036-00	H259001560	10458C	252402-00	H259015017	17	253006-00
H259001500	14000A	252037-00	H259001561	11711	252402-00	H259015018	18	253008-00
H259001501	14001	252037-00	H259001562	11719B	252402-00	H259015019	19	253008-00
H259001502	14003	252037-00	H259001563	11719C	252402-00	H259015020	20	253008-00
H259001503	14011	252037-00	H259001564	11719D	252402-00	H259015021	21	253008-00
H259001504	14016	252037-00	H259001565	11719E	252402-00	H259015022	22	253008-00
H259001505	14017	252037-00	H259001566	11719F	252402-00	H259015023	23	253008-00
H259001506	14020	252037-00	H259001567	11738	252402-00	H259015024	24	253008-00
H259001507	14024	252037-00	H259001568	11799B	252402-00	H259015025	25	253008-00
H259001508	14025	252037-00	H259001569	24	258003-00	H259015026	26	253008-00
H259001509	14034B	252037-00	H259001570	23	258003-00	H259015027	27	253008-00
H259001510	14038	252037-00	H259001571	22	258003-00	H259015030	30	253008-00
H259001511	14044A	252037-00	H259010001	04	253012-00	H259015031	31	253008-00
H259001512	14047	252037-00	H259010002	111	253012-00	H259015032	32	253007-00
H259001513	14054	252037-00	H259010003	113	253012-00	H259015032	32	253008-00
H259001514	14076	252037-00	H259010004	116	253012-00	H259015033	33	253007-00
H259001515	14082B	252037-00	H259010005	123	253012-00	H259015033	33	253008-00
H259001516	14086	252037-00	H259010006	124	253012-00	H259015034	34	253008-00
H259001517	14185B	252037-00	H259010007	261	253012-00	H259015034	34	253009-00
H259001518	14195B	252037-00	H259010008	271	253012-00	H259015034	34	253011-00
H259001518	14195E	252037-00	H259010009	312	253012-00	H259015035	35	253008-00
H259001521	14615B	252037-00	H259010010	326	253012-00	H259015035	35	253009-00
H259001522	14615C	252037-00	H259010011	414	253012-00	H259015035	35	253010-00
H259001523	14650	252037-00	H259010012	467	253012-00	H259015035	35	253011-00
H259001524	14200A	252038-00	H259010013	532	253012-00	H259015036	36	253008-00
H259001525	14216	252038-00	H259010014	953	253012-00	H259015036	36	253009-00

PARÇA NUMARASI İNDEKSİ

PART NO INDEX

Parça No Part No	No No	Sayfa Page	Parça No Part No	No No	Sayfa Page	Parça No Part No	No No	Sayfa Page
H259015036	36	253010-00	H259015079	79	253004-00	H259020108	9	253016-00
H259015037	37	253004-00	H259015080	80	253004-00	H259020109	10	253016-00
H259015037	37	253005-00	H259015081	81	253005-00	H259020110	11	253016-00
H259015038	38	253008-00	H259015088	88	253004-00	H259020111	12	253016-00
H259015038	38	253009-00	H259015089	89	253004-00	H259020112	13	253016-00
H259015039	39	253008-00	H259015091	91	253010-00	H259020113	14	253016-00
H259015039	39	253009-00	H259015092	92	253004-00	H259020114	15	253016-00
H259015040	40	253008-00	H259015092	92	253005-00	H259020115	16	253016-00
H259015040	40	253009-00	H259015094	94	253009-00	H259020116	17	253016-00
H259015041	41	253006-00	H259015095	95	253009-00	H259020117	18	253016-00
H259015041	41	253007-00	H259015096	96	253009-00	H259020118	19	253016-00
H259015042	42	253006-00	H259015097	97	253009-00	H259020119	20	253016-00
H259015042	42	253007-00	H259015098	98	253009-00	H259020120	21	253016-00
H259015043	43	253004-00	H259015099	99	253009-00	H259020121	22	253016-00
H259015044	44	253010-00	H259015100	100	253009-00	H259020122	23	253016-00
H259015045	45	253010-00	H259015101	101	253004-00	H259020123	24	253016-00
H259015046	46	253010-00	H259015101	101	253005-00	H259020124	25	253016-00
H259015047	47	253010-00	H259015101	101	253009-00	H259020125	26	253016-00
H259015048	48	253010-00	H259015102	102	253009-00	H259020126	27	253016-00
H259015049	49	253010-00	H259015103	103	253009-00	H259020127	28	253016-00
H259015050	50	253010-00	H259015104	104	253009-00	H259020128	29	253016-00
H259015051	51	253010-00	H259015105	105	253010-00	H259020129	30	253016-00
H259015052	52	253005-00	H259015106	106	253004-00	H259020130	31	253016-00
H259015053	53	253011-00	H259015107	107	253004-00	H259020131	32	253016-00
H259015054	54	253011-00	H259015108	108	253004-00	H259020132	33	253016-00
H259015055	55	253011-00	H259020001	1	253017-00	H259020133	34	253016-00
H259015057	57	253007-00	H259020002	6	253017-00	H259020134	35	253016-00
H259015060	60	253004-00	H259020003	7	253017-00	H259020135	36	253016-00
H259015061	61	253007-00	H259020004	8	253017-00	H259020136	37	253016-00
H259015062	62	253007-00	H259020005	9	253017-00	H259020137	38	253016-00
H259015062	62	253010-00	H259020006	10	253017-00	H259020138	39	253016-00
H259015063	63	253006-00	H259020007	11	253017-00	H259025001		253102-00
H259015065	65	253006-00	H259020008	13	253017-00	H259025002	1	253102-00
H259015066	66	253006-00	H259020009	14	253017-00	H259025003	2	253102-00
H259015067	67	253008-00	H259020010	16	253017-00	H259025004	3	253102-00
H259015067	67	253009-00	H259020011	17	253017-00	H259025005	4	253102-00
H259015068	68	253004-00	H259020012	18	253017-00	H259025006	5	253102-00
H259015069	69	253004-00	H259020013	19	253017-00	H259025007	6	253102-00
H259015069	69	253005-00	H259020014	24	253017-00	H259025008	7	253102-00
H259015070	70	253006-00	H259020015	25	253017-00	H259025009	8	253102-00
H259015070	70	253007-00	H259020016	27	253017-00	H259025010	9	253102-00
H259015071	71	253004-00	H259020017	28	253017-00	H259025011	10	253102-00
H259015072	72	253004-00	H259020018	39	253017-00	H259025012	11	253102-00
H259015072	72	253005-00	H259020019	43	253017-00	H259025013	12	253102-00
H259015072	72	253007-00	H259020020	44	253017-00	H259025014	13	253102-00
H259015072	72	253008-00	H259020021	45	253017-00	H259025015	14	253102-00
H259015072	72	253009-00	H259020022	46	253017-00	H259025016	15	253102-00
H259015072	72	253010-00	H259020023	•	253017-00	H259025017	16	253102-00
H259015073	73	253004-00	H259020100	1	253016-00	H259025018	17	253102-00
H259015074	74	253004-00	H259020101	2	253016-00	H259025019	18	253102-00
H259015074	74	253005-00	H259020102	3	253016-00	H259025020	19	253102-00
H259015075	75	253004-00	H259020103	4	253016-00	H259025021	20	253102-00
H259015075	75	253005-00	H259020104	5	253016-00	H259025022	21	253102-00
H259015076	76	253005-00	H259020105	6	253016-00	H259025023	22	253102-00
H259015077	77	253005-00	H259020106	7	253016-00	H259025024	23	253102-00
H259015078	78	253004-00	H259020107	8	253016-00	H259025025	24	253102-00

PARÇA NUMARASI İNDEKSİ

PART NO INDEX

Parça No Part No	No No	Sayfa Page	Parça No Part No	No No	Sayfa Page	Parça No Part No	No No	Sayfa Page
H259025026	25	253102-00	H259025089	46	253103-00	H259037004	4	254201-00
H259025027	26	253102-00	H259025090	•	253103-00	H259037005	5	254201-00
H259025028		253103-00	H259031005	22_2	254101-00	H259037006	6	254201-00
H259025029	27	253103-00	H259031006	22_3	254101-00	H259037007	7	254201-00
H259025030	28	253103-00	H259031007	22_4	254101-00	H259037008	8	254201-00
H259025031	29	253103-00	H259031008	22_1	254101-00	H259037009	9	254201-00
H259025032	30	253103-00	H259033001	1	254103-00	H259037010	10	254201-00
H259025033	31	253103-00	H259033002	2	254103-00	H259037011	11	254201-00
H259025034	32	253103-00	H259033003	3	254103-00	H259037012	12	254201-00
H259025035	33	253103-00	H259033004	4	254103-00	H259037013	13	254201-00
H259025036	34	253103-00	H259033005	5	254103-00	H259037014	14	254201-00
H259025037	35	253103-00	H259033006	6	254103-00	H259038001	1	253303-00
H259025038	36	253103-00	H259033007	7	254103-00	H259038001a	1	253303-00
H259025039	37	253103-00	H259033008	8	254103-00	H259038002	2	253302-00
H259025040	38	253103-00	H259034001	1	254102-00	H259038002	2	253303-00
H259025041	39	253103-00	H259034002	2	254102-00	H259038002	4	253303-00
H259025042	40	253103-00	H259034003	3	254102-00	H259038003	3	253303-00
H259025043	41	253103-00	H259034004	4	254102-00	H259038003a	3	253303-00
H259025044	42	253103-00	H259034005	5	254102-00	H259038004	5	253302-00
H259025045	43	253103-00	H259034006	6	254102-00	H259038004	5	253303-00
H259025046	44	253103-00	H259034007	7	254102-00	H259038005	6	253302-00
H259025047	45	253103-00	H259034008	8	254102-00	H259038005	6	253303-00
H259025048	46	253103-00	H259034009	9	254102-00	H259038006	7	253302-00
H259025049	47	253103-00	H259034010	10	254102-00	H259038006	7	253303-00
H259025050	48	253103-00	H259034011	11	254102-00	H259038007	8	253302-00
H259025051	49	253103-00	H259034012	12	254102-00	H259038007	8	253303-00
H259025052	50	253103-00	H259034013	13	254102-00	H259038008	9	253302-00
H259025053	51	253103-00	H259034014	14	254102-00	H259038008	9	253303-00
H259025054	52	253103-00	H259035001	1	254104-00	H259038009	10	253302-00
H259025055	53	253103-00	H259035002	2	254104-00	H259038009	10	253303-00
H259025056	54	253103-00	H259035003	3	254104-00	H259038010	11	253302-00
H259025057	55	253103-00	H259035004	4	254104-00	H259038010	11	253303-00
H259025058	56	253103-00	H259035005	5	254104-00	H259038010	7	253304-00
H259025059	57	253103-00	H259035006	6	254104-00	H259038010a	7	253304-00
H259025060	58	253103-00	H259035007	7	254104-00	H259038011	12	253302-00
H259025061	59	253103-00	H259035008	8	254104-00	H259038011	12	253303-00
H259025062	60	253103-00	H259035009	9	254104-00	H259038012	13	253302-00
H259025063	61	253103-00	H259036001	1	254105-00	H259038012	13	253303-00
H259025064	62	253103-00	H259036002	2	254105-00	H259038013	14	253302-00
H259025065	63	253103-00	H259036003	3	254105-00	H259038013	14	253303-00
H259025066	64	253103-00	H259036004	4	254105-00	H259038014	15	253302-00
H259025067	65	253103-00	H259036005	5	254105-00	H259038014	15	253303-00
H259025068	66	253103-00	H259036006	6	254105-00	H259038015	16	253302-00
H259025069	67	253103-00	H259036007	7	254105-00	H259038015	16	253303-00
H259025070	68	253103-00	H259036008	8	254105-00	H259038016	17	253302-00
H259025071	69	253103-00	H259036009	9	254105-00	H259038016	17	253303-00
H259025072	70	253103-00	H259036010	10	254105-00	H259038017	18	253302-00
H259025073	71	253103-00	H259036011	11	254105-00	H259038017	18	253303-00
H259025074	•	253103-00	H259036012	12	254105-00	H259038018	19	253302-00
H259025082	•	253103-00	H259036013	13	254105-00	H259038018	19	253303-00
H259025083	•	253103-00	H259036014	14	254105-00	H259038019	20	253302-00
H259025084	46	253103-00	H259036015	15	254105-00	H259038019	20	253303-00
H259025085	46	253103-00	H259036016	•	254105-00	H259038020	21	253302-00
H259025086	46	253103-00	H259037001	1	254201-00	H259038020	21	253303-00
H259025087	46	253103-00	H259037002	2	254201-00	H259038021	22	253302-00
H259025088	46	253103-00	H259037003	3	254201-00	H259038021	22	253303-00

PARÇA NUMARASI İNDEKSİ

PART NO INDEX

Parça No Part No	No No	Sayfa Page	Parça No Part No	No No	Sayfa Page	Parça No Part No	No No	Sayfa Page
H259038022	23	253302-00	H259038045	30	253302-00	H259038074a	28	253304-00
H259038022	23	253303-00	H259038045	36	253304-00	H259038075	29	253304-00
H259038022	23	253304-00	H259038046	31	253302-00	H259038075a	29	253304-00
H259038023	24	253302-00	H259038047	31	253302-00	H259038076	30	253304-00
H259038023	24	253303-00	H259038048	38	253302-00	H259038076a	30	253304-00
H259038024	25	253303-00	H259038048	54	253304-00	H259038077	31	253304-00
H259038025	32	253302-00	H259038049	40	253302-00	H259038077a	31	253304-00
H259038025	26	253303-00	H259038049	55	253304-00	H259038078	32	253304-00
H259038025	30	253303-00	H259038050	•	253302-00	H259038078	40	253304-00
H259038025	37	253303-00	H259038051	1	253304-00	H259038078a	32	253304-00
H259038025	33	253304-00	H259038051a	1	253304-00	H259038078a	40	253304-00
H259038025	37	253304-00	H259038052	3	253304-00	H259038079	35	253304-00
H259038025	41	253304-00	H259038052a	3	253304-00	H259038079a	35	253304-00
H259038025	45	253304-00	H259038053	5	253304-00	H259038080	39	253304-00
H259038026	27	253303-00	H259038053a	5	253304-00	H259038080a	39	253304-00
H259038026	34	253304-00	H259038054	6	253304-00	H259038081	43	253304-00
H259038026	42	253304-00	H259038054a	6	253304-00	H259038081a	43	253304-00
H259038027	29	253303-00	H259038055	8	253304-00	H259038082	47	253304-00
H259038027	36	253303-00	H259038055a	8	253304-00	H259038082a	47	253304-00
H259038027	44	253304-00	H259038056	9	253304-00	H259038083	48	253304-00
H259038028	28	253303-00	H259038056a	9	253304-00	H259038083a	48	253304-00
H259038028a	28	253303-00	H259038057	10	253304-00	H259038084	49	253304-00
H259038029	33	253302-00	H259038057a	10	253304-00	H259038084a	49	253304-00
H259038029	31	253303-00	H259038058	11	253304-00	H259038085	52	253304-00
H259038029	38	253303-00	H259038058a	11	253304-00	H259038086	•	253304-00
H259038029	38	253304-00	H259038059	12	253304-00	H259038086a	•	253304-00
H259038029	46	253304-00	H259038059a	12	253304-00	H259039001	1_3	252201-00
H259038030	34	253302-00	H259038060	13	253304-00	H259039003	1_1	252201-00
H259038030	32	253303-00	H259038060a	13	253304-00	H259039004	1_2	252201-00
H259038030	50	253304-00	H259038061	14	253304-00	H259041001	1	253208-00
H259038031	27	253302-00	H259038061a	14	253304-00	H259080014	15_1	258003-00
H259038031	35	253302-00	H259038062	15	253304-00	H259080016	15_2	258003-00
H259038031	33	253303-00	H259038062a	15	253304-00	H259081001	17_1	253401-00
H259038031	51	253304-00	H259038063	16	253304-00	H259081003	17_3	253401-00
H259038032	36	253302-00	H259038063a	16	253304-00	H259082003	29_1	253204-00
H259038032	34	253303-00	H259038064	17	253304-00	H340102100	53	250101-00
H259038033	37	253302-00	H259038064a	17	253304-00	H340102201	54	250101-00
H259038033	39	253303-00	H259038065	18	253304-00	H340102500	97	253001-00
H259038033	53	253304-00	H259038065a	18	253304-00	H340102500	114	253001-00
H259038034	39	253302-00	H259038066	19	253304-00	H340102500	130	253002-00
H259038034	40	253303-00	H259038066a	19	253304-00	H340102500	106	253003-00
H259038035	35	253303-00	H259038067	20	253304-00	H340102500	14	253301-00
H259038035a	35	253303-00	H259038067a	20	253304-00	H340102500	18	253301-00
H259038036	•	253303-00	H259038068	21	253304-00	H340102500	25	253301-00
H259038037	1	253302-00	H259038068a	21	253304-00	H340102601	57	250101-00
H259038037a	1	253302-00	H259038069	22	253304-00	H340103301	42	250102-00
H259038038	3	253302-00	H259038069a	22	253304-00	H340103800	70	250102-00
H259038038a	3	253302-00	H259038070	24	253304-00	H340104400	113	253001-00
H259038039	4	253302-00	H259038070a	24	253304-00	H340105700	82	250101-00
H259038039	2	253304-00	H259038071	25	253304-00	H340500100		250501-00
H259038039	4	253304-00	H259038071a	25	253304-00	H340500201	1	250501-00
H259038040	25	253302-00	H259038072	26	253304-00	H340502000		250502-00
H259038041	26	253302-00	H259038072a	26	253304-00	H340502100	2	250502-00
H259038042	28	253302-00	H259038073	27	253304-00	H340502200	1	250502-00
H259038043	29	253302-00	H259038073a	27	253304-00	H340502200	1	250503-00
H259038044	29	253302-00	H259038074	28	253304-00	H340503000		250503-00

PARÇA NUMARASI İNDEKSİ

PART NO INDEX

Parça No Part No	No No	Sayfa Page	Parça No Part No	No No	Sayfa Page	Parça No Part No	No No	Sayfa Page
H340510000		250504-00	H342311101	26	252301-00	H342726001	130	252702-00
H340510100	1	250504-00	H342405201	30	252401-00	H342726501	136	252701-00
H341102900	9	251101-00	H342408700	33	252401-00	H342726501	136	252702-00
H341102900	9	251102-00	H342409100	34	252401-00	H342726901	133	252701-00
H341102900	9	251104-00	H342409200	28	252401-00	H342726901	133	252702-00
H341102900	1_8	251106-00	H342421700	27	252401-00	H342727301	120	252701-00
H341103101	15	251101-00	H342503001	25	252501-00	H342727301	120	252702-00
H341103101	15	251102-00	H342503101	26	252501-00	H342727401	120_1	252701-00
H341103101	15	251104-00	H342503201	27	252501-00	H342727401	120_1	252702-00
H341103102	15	251101-00	H342504000	28	252501-00	H342727501	120_2	252701-00
H341103102	15	251102-00	H342505300	32	252501-00	H342727501	120_2	252702-00
H341103102	15	251104-00	H342505500	15	252501-00	H342727600	139	252701-00
H341103103	15	251101-00	H342506200	36	252501-00	H342727600	139	252702-00
H341103103	15	251102-00	H342506300	37	252501-00	H342731100	23	252701-00
H341103103	15	251104-00	H342506401	39	252501-00	H342731600	18	252701-00
H341105300	21	251101-00	H342512600	7	252501-00	H342731800	19	252701-00
H341105300	21	251102-00	H342514700	05360A	252021-00	H342735100	7	252702-00
H341105300	21	251104-00	H342514700	18	252501-00	H342735700	9	252702-00
H341105301	21	251101-00	H342604200	8	252601-00	H343002100	72	253001-00
H341105301	21	251102-00	H342604200	19	252601-00	H343002500	126	253002-00
H341105301	21	251104-00	H342700501	13	252701-00	H343003100	42	253001-00
H341113900	13_12	251202-00	H342700801	39	252701-00	H343003200	129	253002-00
H341114100	16	251106-00	H342701601	37	252701-00	H343003200	105	253003-00
H341114202	39	251101-00	H342703501	43	252701-00	H343003200	13	253301-00
H341114202	39	251102-00	H342703800	62	252701-00	H343008100	44	253001-00
H341114202	39	251104-00	H342703900	53	252701-00	H343008200	46	253001-00
H341114300	37	251101-00	H342704400	56	252701-00	H343011200	138	253002-00
H341114300	37	251102-00	H342704500	61	252701-00	H343011300	52	253001-00
H341114300	37	251104-00	H342705000	59	252701-00	H343011300	2	255801-00
H341116200	13_1_5	251202-00	H342710200	1	252702-00	H343100200	1	253101-00
H341125001	49	251103-00	H342711200	7_2	252702-00	H343100200		253104-00
H341126100	1_12	251106-00	H342711301	4	252702-00	H343200301	1	253201-00
H341126600	44	251103-00	H342711401	4_1	252702-00	H343200301		253206-00
H341126700	45	251103-00	H342711500	4_3	252702-00	H343200400	19	253202-00
H341128100	16_3	251101-00	H342711601	4_2	252702-00	H343200400		253207-00
H341128100	25_3	251102-00	H342711802	103	252701-00	H343200700	14_9	253202-00
H341128100	31_2	251104-00	H342711802	4_4	252702-00	H343200901	12	253201-00
H341128101	16_3	251101-00	H342711802	103	252702-00	H343200901		253206-00
H341128101	25_3	251102-00	H342711802	46	258001-00	H343201401	35	253204-00
H341128101	31_2	251104-00	H342720302	102	252701-00	H343201500	12	253204-00
H341137300	30_32	251104-00	H342720302	102	252702-00	H343201500		253209-00
H341139700	1_21	251106-00	H342720303	102	252701-00	H343201601	6	253203-00
H341201400	23	251201-00	H342720303	102	252702-00	H343201701	518	253202-00
H341201500	58	251201-00	H342720500	105	252701-00	H343201702	518	253202-00
H341201500	26	254101-00	H342720500	105	252702-00	H343201702	11	253203-00
H341201600	59	251201-00	H342720602	107	252701-00	H343201800	520	253202-00
H341201600	27	254101-00	H342720602	107	252702-00	H343201800	25	253205-00
H341205800	13_1_4	251202-00	H342722503	116	252701-00	H343201801	520	253202-00
H341205900	13_2	251202-00	H342722503	116	252702-00	H343201801	25	253205-00
H341206000	13_7	251202-00	H342723501	123	252701-00	H343202300	36	253204-00
H341212900	24	251201-00	H342723501	123	252702-00	H343202501	52	253204-00
H341213000	29	251201-00	H342723700	104	252701-00	H343202600	56	253204-00
H341217301	13_20	251202-00	H342723700	104	252702-00	H343202900	23	253205-00
H341217901	30	251202-00	H342723701	104	252701-00	H343203202	507	253201-00
H341230400	61	251201-00	H342723701	104	252702-00	H343203202	41	253204-00
H342010200	11	252001-00	H342726001	130	252701-00	H343203202	7	253205-00

PARÇA NUMARASI İNDEKSİ

PART NO INDEX

Parça No Part No	No No	Sayfa Page	Parça No Part No	No No	Sayfa Page	Parça No Part No	No No	Sayfa Page
H343203500	23	253205-00	H346037100	32	256003-00	H346047501	7	256002-01
H343301300	12	253301-00	H346037400	43	256004-00	H346047600	2	256002-00
H343301500	96	253001-00	H346039001	30	256004-00	H346047601	2	256002-01
H343301500	112	253001-00	H346039100	31	256004-00	H346047701	6	256002-00
H343301500	17	253301-00	H346039400	26	256002-00	H346047702	6	256002-01
H343301500	24	253301-00	H346039401	26	256002-01	H346048000	12	256003-00
H343403601	5	253401-00	H346039500	27	256002-00	H346048001	12	256003-00
H343403700	6	253401-00	H346040200	16	256002-00	H346048100	19	256003-00
H343403802	10	253401-00	H346040201	16	256002-01	H346048200	20	256003-00
H343403900	11	253401-00	H346040300	14	256002-00	H346048300	21	256003-00
H343404000	12	253401-00	H346040400	15	256002-00	H346049700	13	256003-00
H343404100	13	253401-00	H346040500	13	256002-00	H346049701	13	256003-00
H343404601	17	253401-00	H346040501	13	256002-01	H346049800	53	256003-00
H343405800	22	253401-00	H346040600	11	256002-00	H346050600	49	256003-00
H343407601	16_7	251101-00	H346040700	12	256002-00	H346050900	18	256003-00
H343407601	25_7	251102-00	H346040800	10	256002-00	H346051101	25	256003-00
H343407601	31_3	251104-00	H346040801	10	256002-01	H346051800	29	256003-00
H343407602	16_7	251101-00	H346040900	8	256002-00	H346051900	35	256003-00
H343407602	25_7	251102-00	H346041000	9	256002-00	H346052000	27	256003-00
H343407602	31_3	251104-00	H346041100	19	256002-00	H346052101	26	256003-00
H343409500	5	252501-00	H346041101	19	256002-01	H346052201	60	256003-00
H343409500	25	253401-00	H346041200	17	256002-00	H346052501	7	256003-00
H343410000	30_28	251104-00	H346041300	18	256002-00	H346052502	7	256003-00
H343410100	30_29	251104-00	H346042102	1	256004-00	H346053200	10	256003-00
H343410400	6	252501-00	H346042103	1	256004-00	H346053300	58	256003-00
H343410400	26	253401-00	H346043802	3	256004-00	H346053400	59	256003-00
H343600700	58	253601-00	H346044000	8	256004-00	H346054501	6	256003-00
H343600700	58	253601-01	H346044102	13	256004-00	H346054502	6	256003-00
H344100700	9	254101-00	H346044103	13	256004-00	H346062300	18	256004-00
H344104900	8	254101-00	H346044400	23	256002-00	H346062900	42	256003-00
H344107300	51	254101-00	H346044400	23	256002-01	H346063100	43	256003-00
H345000500	21	255101-00	H346044500	24	256002-00	H346063200	44	256003-00
H345000500	21	255201-00	H346044500	24	256002-01	H346063800	25_5	256002-00
H345002700	22	255101-00	H346044600	25	256002-00	H346063800	25_5	256002-01
H345104700	1_4	255101-00	H346044600	25	256002-01	H346063900	25_4	256002-00
H345303301	10	255401-00	H346044701	25_1	256002-00	H346063900	25_4	256002-01
H345303400	25	255401-00	H346044701	25_1	256002-01	H346064000	25_7	256002-00
H345303700	1_16	255301-00	H346044801	25_2	256002-00	H346064000	25_7	256002-01
H345800700	46	254101-00	H346044801	25_2	256002-01	H346064100	25_8	256002-00
H345801100	45	254101-00	H346044900	22	256002-00	H346064100	25_8	256002-01
H346000203		256002-00	H346044901	22	256002-01	H346064200	25_9	256002-00
H346000204		256002-01	H346045000	2	256004-00	H346064200	25_9	256002-01
H346020102	1	256002-00	H346045101	5	256004-00	H346065000	50	256003-00
H346020103	1	256002-01	H346045400	50	256004-00	H346065100	61	256003-00
H346031900	15	256004-00	H346045500	25_3	256002-00	H346068500	40	256003-00
H346032300	28	256003-00	H346045500	25_3	256002-01	H346068600	39	256003-00
H346034300	44	256004-00	H346045600	20	256002-00	H346069000	45	256004-00
H346035000	64	256004-00	H346045700	21	256002-00	H346069600	51	256004-00
H346035401	36	256004-00	H346045800	17	256004-00	H346073600	67	256004-00
H346035900	60	256004-00	H346045900	25_6	256002-00	H346073700	20	258001-00
H346036001	22	256004-00	H346045900	25_6	256002-01	H346075100	36	256002-01
H346036300	21	256004-00	H346046100	3	256002-00	H346075200	37	256002-01
H346036401	20	256004-00	H346046101	3	256002-01	H346075300	34	256002-01
H346036600	33	256003-00	H346047300	4	256002-00	H346075600	35	256002-01
H346036701	63	256004-00	H346047400	5	256002-00	H346100202	10	256001-00
H346037000	34	256003-00	H346047500	7	256002-00	H346100302	11	256001-00

PARÇA NUMARASI İNDEKSİ

PART NO INDEX

Parça No Part No	No No	Sayfa Page	Parça No Part No	No No	Sayfa Page	Parça No Part No	No No	Sayfa Page
H346100402	9	256001-00	H346119100	2	256104-00	H347004703	35	257002-00
H346100605	1	256103-00	H346119700	9	256104-00	H347004803	37	257001-00
H346100704	1_1	256103-00	H346120000	29	256103-00	H347004803	37	257002-00
H346100802	1_2	256103-00	H346120001	29	256103-00	H347005101	39	257001-00
H346100901	1_3	256103-00	H346120100	30	256103-00	H347005101	39	257002-00
H346101902	18	256103-00	H346120200	28	256103-00	H347010700	3	257002-00
H346101902		256105-00	H346120201	28	256103-00	H347011102	6	257002-00
H346102001	1	256102-00	H346120301	31	256103-00	H347011200	7	257002-00
H346102101	1_1	256102-00	H346120401	32	256103-00	H347011501	10	257002-00
H346102102	1_1	256102-00	H346120801	26	256103-00	H347011600	11	257002-00
H346102203	1_2	256102-00	H346120802	26	256103-00	H347011700	12	257002-00
H346102204	1_2	256102-00	H346120901	27	256103-00	H347011800	13	257002-00
H346102300	1_3	256102-00	H346120902	27	256103-00	H347012000	15	257002-00
H346103400	33	256104-00	H346121100	45	256104-00	H347012100	16	257002-00
H346103500	22	256104-00	H346121200	40	256103-00	H347012200	17	257002-00
H346103600	27	256104-00	H346121200	50	256103-00	H347012300	18	257002-00
H346103902	1_1	256101-00	H346121300	39	256104-00	H347012500	20	257002-00
H346103903	1_1	256101-00	H346121400	39	256103-00	H347012600	21	257002-00
H346104101	6_8	256103-00	H346122200	51	256104-00	H347012900	24	257002-00
H346104104	6	256103-00	H346122300	6_9	256103-00	H347013001	25	257002-00
H346104105	6	256103-00	H346200201	1	256001-00	H347013100	26	257002-00
H346104304	6_1	256103-00	H347000500	2	257001-00	H347013200	27	257002-00
H346104305	6_1	256103-00	H347000500	2	257002-00	H347013300	28	257002-00
H346104502	6_3	256103-00	H347000600	1_17	255301-00	H347013500	29	257002-00
H346104503	6_3	256103-00	H347000600	41	257001-00	H348000500	25	258002-00
H346104804	6_2	256103-00	H347000600	41	257002-00	H348000700	2	258003-00
H346104805	6_2	256103-00	H347000700	3	257001-00	H348000800	3	258003-00
H346104901	6_7	256103-00	H347000800	4	257001-00	H348000900	10	258003-00
H346104902	6_7	256103-00	H347000800	4	257002-00	H348001800	5	258003-00
H346105202	6_5	256103-00	H347000900	5	257001-00	H348002000	4	258001-00
H346105302	6_6	256103-00	H347000900	5	257002-00	H348002001	4	258001-00
H346105401	40	256104-00	H347001102	6	257001-00	H348002101	3	258001-00
H346105402	40	256104-00	H347001200	7	257001-00	H348002400	5_5	252201-00
H346106600	2	256101-00	H347001501	10	257001-00	H348002500	4	256102-00
H346106600	2	256102-00	H347001600	11	257001-00	H348002800	18	258002-00
H346107202	1	256104-00	H347001700	12	257001-00	H348002900	17	258002-00
H346107402	3	256104-00	H347001800	13	257001-00	H348003302	15	258002-00
H346107501	6	256104-00	H347001900	14	257001-00	H348004001	1	258002-00
H346107603	5	256103-00	H347001900	14	257002-00	H348004100	2	258002-00
H346109001	1_3_1	256102-00	H347002000	15	257001-00	H348004300	7	258002-00
H346109002	1_3_1	256102-00	H347002100	16	257001-00	H348004400	9	258002-00
H346113000	8	256104-00	H347002200	17	257001-00	H348004500	10	258002-00
H346113601	4	256104-00	H347002300	18	257001-00	H348004700	35	258002-00
H346114000	1_3_2	256102-00	H347002400	19	257001-00	H348004901	23	258002-00
H346114500	1_3_3	256102-00	H347002400	19	257002-00	H348005101	34	258002-00
H346114501	1_3_3	256102-00	H347002500	20	257001-00	H348005301	4	250501-00
H346115500	24	256104-00	H347002600	21	257001-00	H348005400	13	258001-00
H346115600	1_3_4	256102-00	H347002900	24	257001-00	H348005700	22_1	258002-00
H346115700	1_3_5	256102-00	H347003001	25	257001-00	H348005800	22_2	258002-00
H346115800	1_3_7	256102-00	H347003100	26	257001-00	H348007100	11	258001-00
H346115900	25	256104-00	H347003200	27	257001-00	H348007200	14	258001-00
H346116000	23	256104-00	H347003300	28	257001-00	H348007300	5	258001-00
H346116100	1_7	256102-00	H347003500	29	257001-00	H348007500	15	258001-00
H346117900	7	256104-00	H347003800	31	257001-00	H348007800	22_12	258002-00
H346118101	16	256103-00	H347003800	31	257002-00	H348008000	22	258001-00
H346118602	15	256103-00	H347004703	35	257001-00	H348009001	27	258002-00

PARÇA NUMARASI İNDEKSİ

PART NO INDEX

Parça No Part No	No No	Sayfa Page	Parça No Part No	No No	Sayfa Page	Parça No Part No	No No	Sayfa Page
H348009100	27_1	258002-00	H349003204	01385B	252016-00	H349003309	07126B	252024-00
H348009200	27_2	258002-00	H349003204	11475B	252034-00	H349003312	07127	252024-00
H348009301	27_3	258002-00	H349003212	04379E	252019-00	H349003313	07131	252024-00
H348009400	27_4	258002-00	H349003215	01399B	252016-00	H349003317	07138	252024-00
H348009500	27_5	258002-00	H349003215	04998D	252020-00	H349003319	07141C	252024-00
H348012600	04226	252016-00	H349003215	07307	252023-00	H349003319	07141D	252024-00
H348012800	02125	252012-00	H349003215	11414B	252034-00	H349003320	07143B	252024-00
H348015000	28	258002-00	H349003219	10177B	252033-00	H349003321	07143C	252024-00
H348015100	2	258006-00	H349003219	11424	252034-00	H349003322	07143D	252024-00
H348015400	43	258001-00	H349003221	11424	252034-00	H349003326	07146B	252024-00
H348016700	41	258001-00	H349003229	07346	252023-00	H349003327	07146B	252024-00
H349003009	01134	252008-00	H349003230	04996G	252020-00	H349003328	07146B	252024-00
H349003010	01182B	252008-00	H349003238	12537	252020-00	H349003329	07146B	252024-00
H349003020	04903A	252008-00	H349003241	05305	252021-00	H349003330	07146B	252024-00
H349003023	01282C	252009-00	H349003242	05313	252021-00	H349003331	07146B	252024-00
H349003025	01296C	252009-00	H349003243	05319	252021-00	H349003332	07146B	252024-00
H349003027	01296E	252009-00	H349003244	05321	252021-00	H349003333	07146B	252024-00
H349003032	03460	252009-00	H349003245	05322	252021-00	H349003334	07146B	252024-00
H349003033	03470	252009-00	H349003246	05333	252021-00	H349003335	07146B	252024-00
H349003039	01386M	252010-00	H349003247	05342	252021-00	H349003336	07146B	252024-00
H349003039	01395J	252010-00	H349003248	05346	252021-00	H349003337	07146B	252024-00
H349003041	01387H	252010-00	H349003249	05346B	252021-00	H349003338	07146B	252024-00
H349003053	03198	252014-00	H349003250	05346C	252021-00	H349003339	07146B	252024-00
H349003053	04178B	252017-00	H349003251	05348	252021-00	H349003340	07146B	252024-00
H349003053	04997E	252020-00	H349003252	05351	252021-00	H349003341	07146B	252024-00
H349003053	05496P	252022-00	H349003252	05394C	252022-00	H349003342	07146B	252024-00
H349003053	02969DC	252023-00	H349003253	04184	252018-00	H349003343	07146B	252024-00
H349003053	02969DD	252023-00	H349003253	05351B	252021-00	H349003344	07146B	252024-00
H349003076	04178C	252017-00	H349003254	05353	252021-00	H349003345	07146B	252024-00
H349003076	11424	252034-00	H349003254	05398	252022-00	H349003346	07146B	252024-00
H349003077	04957	252011-00	H349003256	05371	252021-00	H349003347	07146B	252024-00
H349003079	02124	252012-00	H349003257	05397	252021-00	H349003348	07146B	252024-00
H349003082	02185	252012-00	H349003257	05491B	252022-00	H349003349	07146B	252024-00
H349003087	03057	252012-00	H349003262	05392	252022-00	H349003350	07146B	252024-00
H349003112	03772	252013-00	H349003265	11424P	252034-00	H349003351	07146B	252024-00
H349003115	03788	252013-00	H349003266	07347	252023-00	H349003352	07146B	252024-00
H349003127	03275	252014-00	H349003270	07499	252030-00	H349003353	07146B	252024-00
H349003139	03405	252014-00	H349003280	07338B	252023-00	H349003354	07146B	252024-00
H349003144	03440	252014-00	H349003281	04377	252019-00	H349003355	07146C	252024-00
H349003145	03450	252014-00	H349003281	07339BE	252023-00	H349003355	07146D	252024-00
H349003152	07347C	252023-00	H349003281	10594	252032-00	H349003356	07146C	252024-00
H349003152	10088C	252032-00	H349003285	07347DE	252023-00	H349003356	07146D	252024-00
H349003154	04997C	252020-00	H349003289	07102B	252024-00	H349003357	07146C	252024-00
H349003154	11424	252034-00	H349003289	07102C	252024-00	H349003357	07146D	252024-00
H349003167	01385M	252010-00	H349003290		252024-00	H349003358	07146C	252024-00
H349003167	81976	252012-00	H349003290		252024-00	H349003358	07146D	252024-00
H349003169	01399N	252010-00	H349003294	07113B	252024-00	H349003359	07146C	252024-00
H349003171	01397K	252010-00	H349003296	07117	252024-00	H349003359	07146D	252024-00
H349003171	04997D	252020-00	H349003296	07305C	252028-00	H349003360	07146C	252024-00
H349003171	02969DE	252023-00	H349003297	07117C	252024-00	H349003360	07146D	252024-00
H349003171	14799B	252038-00	H349003298	07119B	252024-00	H349003361	07146C	252024-00
H349003172	04178F	252017-00	H349003300	07119D	252024-00	H349003361	07146D	252024-00
H349003172	11424B	252034-00	H349003302	07119F	252024-00	H349003362	07146C	252024-00
H349003189	01588	252011-00	H349003302	07307D	252028-00	H349003362	07146D	252024-00
H349003192	04178D	252017-00	H349003306	07124	252024-00	H349003363	07146C	252024-00
H349003202	04385E	252019-00	H349003307	07125B	252024-00	H349003363	07146D	252024-00

PARÇA NUMARASI İNDEKSİ

PART NO INDEX

Parça No Part No	No No	Sayfa Page	Parça No Part No	No No	Sayfa Page	Parça No Part No	No No	Sayfa Page
H349003381	07155C	252024-00	H349003462	07243D	252026-00	H349003610	10051	252032-00
H349003385	07207D	252025-00	H349003463	07243P	252026-00	H349003612	10078	252032-00
H349003385	07207KE	252026-00	H349003464	07243KE	252026-00	H349003615	10096B	252032-00
H349003386	07207BE	252025-00	H349003465	07243KC	252026-00	H349003616	10098C	252032-00
H349003387	07207G	252025-00	H349003466	07244D	252026-00	H349003618	10547	252032-00
H349003388	07207H	252025-00	H349003468	07247B	252026-00	H349003619	10547	252032-00
H349003389	07207N	252025-00	H349003469	07247C	252026-00	H349003620	10589	252032-00
H349003391	07211B	252025-00	H349003470	07247D	252026-00	H349003621	10592B	252032-00
H349003392	07211C	252025-00	H349003471	07247E	252026-00	H349003632	07347CE	252023-00
H349003393	07216B	252025-00	H349003476	07256	252026-00	H349003633	02192C	252012-00
H349003398	07222	252025-00	H349003477	07262F	252026-00	H349003633	04096C	252017-00
H349003399	07225	252025-00	H349003478	07264C	252026-00	H349003636	10199	252032-00
H349003400	07227C	252025-00	H349003479	07264D	252026-00	H349003638	10898B	252033-00
H349003401	07227D	252025-00	H349003480	07264D	252026-00	H349003652	12096	252035-00
H349003402	07227G	252025-00	H349003481	07264D	252026-00	H349003652	12779B	252036-00
H349003403	07119J	252024-00	H349003482	07264D	252026-00	H349003668	01978	252008-00
H349003403	07227K	252025-00	H349003483	07264D	252026-00	H349003668	04956B	252011-00
H349003404	07227SB	252025-00	H349003484	07264D	252026-00	H349003668	05477	252031-00
H349003405	07227SC	252025-00	H349003485	07264D	252026-00	H349003673	14008C	252037-00
H349003406	07119G	252024-00	H349003486	07264D	252026-00	H349003680	14037	252037-00
H349003406	07227SD	252025-00	H349003487	07264D	252026-00	H349003682	14039	252037-00
H349003407	07119H	252024-00	H349003488	07264E	252026-00	H349003686	14068	252037-00
H349003407	07227SE	252025-00	H349003489	07264E	252026-00	H349003688	14077	252037-00
H349003408	07235B	252025-00	H349003489	07277K	252026-00	H349003689	14081	252037-00
H349003412	07243F	252025-00	H349003490	07264K	252026-00	H349003692	14084	252037-00
H349003414	07243J	252025-00	H349003493	07265	252026-00	H349003694	14178	252037-00
H349003417	07243SB	252025-00	H349003494	07267D	252026-00	H349003697	11482	252034-00
H349003419	07244B	252025-00	H349003495	07267F	252026-00	H349003697	14195C	252037-00
H349003421	07245B	252025-00	H349003496	07269D	252026-00	H349003698	04196	252018-00
H349003422	07245C	252026-00	H349003498	07277C	252026-00	H349003699	14198	252037-00
H349003423	07248B	252026-00	H349003499	07277DE	252026-00	H349003705	14205B	252038-00
H349003424	07252	252025-00	H349003501	07277K	252026-00	H349003706	14205C	252038-00
H349003425	07255D	252025-00	H349003502	07277K	252026-00	H349003708	14224A	252038-00
H349003426	07255E	252025-00	H349003503	04171	252017-00	H349003710	14241	252038-00
H349003427	07264	252025-00	H349003503	07277M	252026-00	H349003711	14266	252038-00
H349003428	07264B	252025-00	H349003519	07383B	252027-00	H349003712	14282	252038-00
H349003429	07264S	252025-00	H349003520	07383B	252027-00	H349003713	14286	252038-00
H349003429	07264S	252026-00	H349003521	07383B	252027-00	H349003716	14297	252038-00
H349003430	07264S	252025-00	H349003522	07383B	252027-00	H349003717	14304	252038-00
H349003430	07264S	252026-00	H349003523	07383B	252027-00	H349003718	14335	252038-00
H349003431	07264SB	252025-00	H349003524	07383B	252027-00	H349003719	12088	252035-00
H349003432	07267B	252025-00	H349003543	07305B	252028-00	H349003719	14384J	252038-00
H349003435	07277D	252025-00	H349003548	07313	252028-00	H349003720	14384D	252038-00
H349003436	07277SB	252025-00	H349003550	07316B	252028-00	H349003722	14784B	252038-00
H349003437	07277SC	252025-00	H349003552	07322B	252028-00	H349003723	14784C	252038-00
H349003439	07202	252026-00	H349003553	07322C	252028-00	H349003724	14784D	252038-00
H349003440	07207	252026-00	H349003567	07431	252030-00	H349003725	14784E	252038-00
H349003441	07207K	252026-00	H349003588	05488	252022-00	H349003726	14787B	252038-00
H349003443	07207P	252026-00	H349003589	07497	252030-00	H349003727	14788B	252038-00
H349003444	07207PB	252026-00	H349003590	04994D	252020-00	H349003729	03299	252014-00
H349003445	07207SE	252026-00	H349003590	07498B	252030-00	H349003729	14788G	252038-00
H349003447	07216C	252026-00	H349003591	07498H	252030-00	H349003730	14799E	252038-00
H349003448	07217C	252026-00	H349003592	07498J	252030-00	H349003732	14799G	252038-00
H349003450	07226A	252026-00	H349003601	10001C	252032-00	H349003733	01912B	252039-00
H349003453	07235C	252026-00	H349003602	10001B	252032-00	H349003737	83353B	252040-00
H349003459	07238	252026-00	H349003605	10016	252032-00	H349003738	83498B	252040-00

PARÇA NUMARASI İNDEKSİ

PART NO INDEX

Parça No Part No	No No	Sayfa Page	Parça No Part No	No No	Sayfa Page	Parça No Part No	No No	Sayfa Page
H349003739	83498BH	252040-00	H349020037	41	253017-00	H349065010	10	256105-00
H349003742	5_4	252201-00	H349020038	42	253017-00	H349065011	11	256105-00
H349003744	5_3	252201-00	H349020040	34	253017-00	H349065012	13	256105-00
H349003746	5_6	252201-00	H349020042	36	253017-00	H349065013	14	256105-00
H349003750	10210	252402-00	H349020043	37	253017-00	H349065014	15	256105-00
H349003751	10227	252402-00	H349020044	38	253017-00	H349065015	16	256105-00
H349003768	10449B	252402-00	H349020045	35	253017-00	H349065016	17	256105-00
H349010001		253013-00	H349025075	20	253102-00	H349065017	19	256105-00
H349010002	079	253012-00	H349025076	20	253102-00	H349065018	20	256105-00
H349010008	127	253012-00	H349025077	20	253102-00	H349065019	21	256105-00
H349010024	401	253012-00	H349025078	20	253102-00	H349065020	22	256105-00
H349010025	406	253012-00	H349025079	20	253102-00	H349081001	17_1	253401-00
H349010026	466	253012-00	H349025080	20	253102-00	H349081002	17_2	253401-00
H349010027	468	253012-00	H349025081	20	253102-00	H349081005	17_5	253401-00
H349010028	490	253012-00	H349030027	7	253104-00	H349081007	17_3	253401-00
H349010031	534	253012-00	H349030028	8	253104-00	N01/0000005	48	256004-00
H349010032	535	253012-00	H349030029	9	253104-00	N01/0000008	28	256002-00
H349010048	806	253012-00	H349030030	10	253104-00	N01/0221156	1_14	251106-00
H349010049	808	253012-00	H349030033	13	253104-00	N01/0221202	41	252501-00
H349010050	824	253012-00	H349030036	•	253104-00	N01/0221442	14	258003-00
H349010051	885	253012-00	H349040002	2	253208-00	N01/0221478	16_12	251101-00
H349010052	886	253012-00	H349040002	2	253209-00	N01/0221478	25_12	251102-00
H349010053	901	253012-00	H349040003	3	253208-00	N01/0221478	124	252701-00
H349010055	954	253012-00	H349040003	3	253209-00	N01/0221478	124	252702-00
H349010063	•	253012-00	H349041010	1	253209-00	N01/0221478	46	256004-00
H349010064	•	253012-00	H349042007	7	253206-00	N01/0221478	19	258002-00
H349010086	700	253013-00	H349042011	11	253206-00	N01/0221480	8	256003-00
H349010087	710	253013-00	H349042012	12	253206-00	N01/0221514	58_5	251103-00
H349010088	725	253013-00	H349042013	13	253206-00	N01/0221514	29	252501-00
H349010089	732	253013-00	H349042016	16	253206-00	N01/0221514	2	252601-00
H349010090	850	253013-00	H349042017	17	253206-00	N01/0221514	23	252601-00
H349010093		253014-00	H349042023	23	253206-00	N01/0221514	44	252701-00
H349010097	325	253014-00	H349042028	28	253206-00	N01/0221514	117	252701-00
H349010100	361	253014-00	H349042031	31	253206-00	N01/0221514	117	252702-00
H349010101	362	253014-00	H349042032	•	253206-00	N01/0221514	30	256003-00
H349010102	363	253014-00	H349043010	10	253207-00	N01/0221514	38	256003-00
H349010103	801	253014-00	H349043011	11	253207-00	N01/0221514	34	256103-00
H349010163	N1	253012-00	H349043032	32	253207-00	N01/0221514	43	256104-00
H349010163	•	253015-00	H349043035	35	253207-00	N01/0221514	6	258003-00
H349020001	2	253017-00	H349043036	36	253207-00	N01/0221538	32	256004-00
H349020002	3	253017-00	H349043037	37	253207-00	N01/0222054	28	252001-00
H349020003	4	253017-00	H349043038	38	253207-00	N01/0222078	56	252401-00
H349020011	12	253017-00	H349043039	39	253207-00	N01/0222078	2	252701-00
H349020014	15	253017-00	H349043040	•	253207-00	N01/0222078	48	254101-00
H349020015	22	253017-00	H349060001	50_1	256003-00	N01/0222078	1_9	255101-00
H349020016	23	253017-00	H349060011	50_2	256003-00	N01/0222078	15	256003-00
H349020017	20	253017-00	H349060012	50_3	256003-00	N01/0222114	3	250502-00
H349020018	21	253017-00	H349065001	1	256105-00	N01/0222114	14_4	251201-00
H349020024	26	253017-00	H349065002	2	256105-00	N01/0222114	35	251201-00
H349020027	5	253017-00	H349065003	3	256105-00	N01/0222114	9	252201-00
H349020028	29	253017-00	H349065004	4	256105-00	N01/0222114	13	252401-00
H349020030	30	253017-00	H349065005	5	256105-00	N01/0222114	40	252701-00
H349020031	31	253017-00	H349065006	6	256105-00	N01/0222114	31	256002-00
H349020032	32	253017-00	H349065007	7	256105-00	N01/0222114	46	256003-00
H349020033	33	253017-00	H349065008	8	256105-00	N01/0222114	6	256004-00
H349020036	40	253017-00	H349065009	9	256105-00	N01/0222114	65	256004-00

PARÇA NUMARASI İNDEKSİ

PART NO INDEX

Parça No Part No	No No	Sayfa Page	Parça No Part No	No No	Sayfa Page	Parça No Part No	No No	Sayfa Page
N01/0222114	68	256004-00	N01/0232462	28	254101-00	N01/0380626	3	252101-00
N01/0222114	19	256104-00	N01/0232462	4	256001-00	N01/0380650	57	253204-00
N01/0222138	11	252601-00	N01/0232465	7	253401-00	N01/0380674	33	253202-00
N01/0222138	3	258002-00	N01/0232486	18	251101-00	N01/0380842	40	251202-00
N01/0222162	10	256104-00	N01/0232486	71	251101-00	N01/0380986	55	250101-00
N01/0222186	6	252701-00	N01/0232486	27	251102-00	N01/03811226	27	255101-00
N01/0222186	10	252701-00	N01/0232486	76	251103-00	N01/0381214	35	254101-00
N01/0222438	25	252001-00	N01/0232486	30_11	251104-00	N01/0381226	1_14	255301-00
N01/0223566	13_3	251202-00	N01/0232486	34	251104-00	N01/0381226	6	256001-00
N01/0231478	30_30	251104-00	N01/0232486	18	251106-00	N01/0381238	3	252401-00
N01/0231514	30_20	251104-00	N01/0232486	43	251201-00	N01/0381238	94	253001-00
N01/0232078	1_3_14	256102-00	N01/0232486	11	252301-00	N01/0381238	115	253001-00
N01/0232114	2	250501-00	N01/0232498	2	250102-00	N01/0381238	26	253301-00
N01/0232114	1_3	251101-00	N01/0232498	6	250102-00	N01/0381274	24	250101-00
N01/0232114	24_3	251102-00	N01/0232498	2	250504-00	N01/0381286	131	253002-00
N01/0232114	84	251102-00	N01/0232498	12	252001-00	N01/0381310	107	253003-00
N01/0232114	63	251103-00	N01/0232498	3	252301-00	N01/0381310	15	253301-00
N01/0232114	30_3	251104-00	N01/0232498	10	253101-00	N01/0381310	19	253301-00
N01/0232114	30_16	251104-00	N01/0232498	20	253202-00	N01/0381322	31	250101-00
N01/0232114	108	252701-00	N01/0232510	13_21	251202-00	N01/0381418	28	255401-00
N01/0232114	108	252702-00	N01/0232822	127	253002-00	N01/0381430	4	250103-00
N01/0232138	30_7	251104-00	N01/0232846	10	254101-00	N01/0381430	29	255101-00
N01/0232138	6	251106-00	N01/0232846	14	254101-00	N01/0381430	29	255201-00
N01/0232138	13_13	251202-00	N01/0232846	1_5	255101-00	N01/0381430	29	255401-00
N01/0232138	73	253203-00	N01/0232858	27	250101-00	N01/0381467	13_8	251202-00
N01/0232138	13	253204-00	N01/0232858	2	251101-00	N01/0381608	16	252001-00
N01/0232138	26	256104-00	N01/0232858	2	251102-00	N01/0381718	6	254101-00
N01/0232162	24	256004-00	N01/0232858	5	251103-00	N01/0381860	32	254101-00
N01/0232402	14	252301-00	N01/0232858	2	251104-00	N01/0381920	19	252001-00
N01/0232438	16_4	251101-00	N01/0232858	47	251202-00	N01/0382018	40	253001-00
N01/0232438	40	251101-00	N01/0232858	14	252001-00	N01/0385040	1_7	255301-00
N01/0232438	25_4	251102-00	N01/0232858	21	252401-00	N01/0391262	12	256001-00
N01/0232438	40	251102-00	N01/0232858	22	253301-00	N01/0392016	23	254101-00
N01/0232438	31_7	251104-00	N01/0232858	2	256103-00	N01/0392028	5	253101-00
N01/0232438	40	251104-00	N01/0232858	34	256104-00	N01/0392088	25	254101-00
N01/0232438	67	251105-00	N01/0232882	8	252401-00	N01/1560014	13_1-3	251202-00
N01/0232438	4	251106-00	N01/0233530	26	255101-00	N01/1661862	31	252001-00
N01/0232438	60	251201-00	N01/0233530	26	255201-00	N01/5870014	12	258001-00
N01/0232438	23	252401-00	N01/0233554	110	253001-00	N01/5870026	16	258002-00
N01/0232444	23	252301-00	N01/0233566	43	250102-00	N01/5870170	18	258001-00
N01/0232462	11	251101-00	N01/0233566	2	252501-00	N01/5870302	54	256003-00
N01/0232462	11	251102-00	N01/0233566	2	253001-00	N01/5870316	1_4	256102-00
N01/0232462	87	251102-00	N01/0233566	38	254101-00	N01/5870352	36	256003-00
N01/0232462	11	251104-00	N01/0233578	58	250101-00	N01/5870352	1_3	256101-00
N01/0232462	30_25	251104-00	N01/0233578	2	253401-00	N01/5870352	1_8	256102-00
N01/0232462	1_2	251106-00	N01/0233578	55	253601-00	N01/5870376	2	253201-00
N01/0232462	27	251201-00	N01/0233578	55	253601-01	N01/5870398	7	253203-00
N01/0232462	12	252201-00	N01/0233590	2	253101-00	N01/5870494	22_9	258002-00
N01/0232462	18	252401-00	N01/0234238	73	253001-00	N01/5870794	29	256104-00
N01/0232462	11	252501-00	N01/0370326	31	253204-00	N01/5890470	1_6	256103-00
N01/0232462	19	252501-00	N01/0370374	50	254101-00	N01/5890470	19	256103-00
N01/0232462	14	252601-00	N01/0370470	20	253203-00	N01/5890518	1_4	256103-00
N01/0232462	103	253003-00	N01/0380386	9	251106-00	N01/5890818	46	251202-00
N01/0232462	35	253202-00	N01/0380410	37	253204-00	N01/5890818	30	252701-00
N01/0232462	14	253401-00	N01/0380434	10	252702-00	N01/5890818	13	256104-00
N01/0232462	19	253401-00	N01/0380566	46	251103-00	N01/5890830	13	250102-00

PARÇA NUMARASI İNDEKSİ

PART NO INDEX

Parça No Part No	No No	Sayfa Page	Parça No Part No	No No	Sayfa Page	Parça No Part No	No No	Sayfa Page
N01/5890830	13	253001-00	N02/3570182	5	252601-00	N03/0020121	78	251103-00
N01/5890830	64	253001-00	N02/3570182	71	253601-00	N03/0020121	31_8	251104-00
N01/5890830	69	253001-00	N02/3570182	71	253601-01	N03/0020121	28	251201-00
N01/5890830	37	253002-00	N02/3570182	48	256003-00	N03/0020121	27	252001-00
N01/5890830	78	253002-00	N02/3570182	57	256004-00	N03/0020121	14	252201-00
N01/5890830	91	253002-00	N02/3570182	1_3_10	256102-00	N03/0020121	19	252401-00
N01/5890830	7	253101-00	N02/3570182	22_10	258002-00	N03/0020121	17	252701-00
N01/5890830	45	253301-00	N02/3570206	2	250503-00	N03/0020121	49	256104-00
N01/5890830	61	253601-00	N02/3570206	8	251101-00	N03/0020124	60	250101-00
N01/5890830	61	253601-01	N02/3570206	14	251101-00	N03/0020124	39	254101-00
N01/5890842	15	252701-00	N02/3570206	8	251102-00	N03/0090013	9	256003-00
N01/5890842	100	253001-00	N02/3570206	14	251102-00	N03/0100011	16_9	251101-00
N01/5890842	19	253002-00	N02/3570206	8	251104-00	N03/0100011	25_9	251102-00
N01/5890842	30	253301-00	N02/3570206	14	251104-00	N03/0100011	58_10	251103-00
N01/5890842	41	253301-00	N02/3570206	1_10	251106-00	N03/0100011	31_5	251104-00
N01/5890854	24	252701-00	N02/3570206	13_22	251202-00	N03/0100011	1_15	251106-00
N01/5890854	33	252701-00	N02/3570206	36	252701-00	N03/0100011	32	252001-00
N01/5890854	85	253001-00	N02/3570206	17_4	253401-00	N03/0100011	43	252501-00
N01/5890854	136	253002-00	N02/3570206	11	258003-00	N03/0100011	49	256004-00
N01/5890854	141	253002-00	N02/3570314	5	250103-00	N03/0100011	53	256004-00
N01/5890854	34	253301-00	N02/3570314	30	255101-00	N03/0100011	59	256004-00
N01/5890854	37	253301-00	N02/3570314	30	255201-00	N03/0100011	9	256103-00
N01/5890878	20	252701-00	N02/3570314	30	255401-00	N03/0100011	12	256103-00
N01/5890878	27	252701-00	N02/3570338	17	252001-00	N03/0100011	19	258001-00
N01/5890890	49	253601-00	N02/3570374	20	252001-00	N03/0100013	16_14	251101-00
N01/5890890	49	253601-01	N02/3580410	1_9	255301-00	N03/0100013	58_7	251103-00
N01/5891166	41	253601-00	N02/5630026	39	256002-01	N03/0100013	30_22	251104-00
N01/5891166	44	253601-00	N02/5880026	16_8	251101-00	N03/0100013	30_31	251104-00
N01/5891166	44	253601-01	N02/5880026	25_8	251102-00	N03/0100013	25	251201-00
N01/5891178	119	253003-00	N02/5880026	31_4	251104-00	N03/0100013	31	252501-00
N01/5891202	9	253003-00	N02/5900014	13_19	251202-00	N03/0100013	25	252601-00
N01/5891202	29	253003-00	N02/5900062	30	256002-00	N03/0100013	118	252701-00
N01/5891226	33	253003-00	N02/5900062	17	256003-00	N03/0100013	118	252702-00
N01/5892054	22	253003-00	N02/5900086	1_5	251106-00	N03/0100013	31	256003-00
N01/5892054	19	254101-00	N02/5900182	2	256001-00	N03/0100013	55	256003-00
N01/5980290	20	252301-00	N02/8320062	8	252301-00	N03/0100013	10	256004-00
N01/5980290	33	252301-00	N02/8810182	18	252301-00	N03/0100013	33	256004-00
N01/5980446	12	252301-00	N03/0000015	53	253204-00	N03/0100013	47	256004-00
N01/5980590	24	252301-00	N03/0020004	25_14	251102-00	N03/0100013	1_3_8	256102-00
N01/5981154	17	252301-00	N03/0020004	58_6	251103-00	N03/0100013	1_6	256102-00
N02/0020011	16	256003-00	N03/0020004	10	252601-00	N03/0100013	21	258002-00
N02/0020011	25	256004-00	N03/0020004	142	252701-00	N03/0100013	8	258003-00
N02/3560158	37	256003-00	N03/0020004	142	252702-00	N03/0100016	1_5	251101-00
N02/3560158	48	256103-00	N03/0020004	47	256103-00	N03/0100016	24_5	251102-00
N02/3560158	9	258003-00	N03/0020004	44	256104-00	N03/0100016	65	251103-00
N02/3560242	11	252401-00	N03/0020015	23	256004-00	N03/0100016	30_5	251104-00
N02/3560326	49	253001-00	N03/0020018	58	256004-00	N03/0100016	30_9	251104-00
N02/3570146	54	256004-00	N03/0020111	86	251102-00	N03/0100016	30_18	251104-00
N02/3570146	62	256004-00	N03/0020111	30	252001-00	N03/0100016	30_35	251104-00
N02/3570146	22_6	258002-00	N03/0020111	70	256004-00	N03/0100016	8	251106-00
N02/3570158	26	251201-00	N03/0020121	4	250102-00	N03/0100016	14_5	251201-00
N02/3570158	21	252601-00	N03/0020121	8	250102-00	N03/0100016	36	251201-00
N02/3570158	11	256004-00	N03/0020121	4	250504-00	N03/0100016	11	252201-00
N02/3570158	1_5	256102-00	N03/0020121	16_5	251101-00	N03/0100016	15	252401-00
N02/3570182	10	251106-00	N03/0020121	25_5	251102-00	N03/0100016	1_3_11	256102-00
N02/3570182	14	252401-00	N03/0020121	89	251102-00	N03/0100016	5	258002-00

PARÇA NUMARASI İNDEKSİ

PART NO INDEX

Parça No Part No	No No	Sayfa Page	Parça No Part No	No No	Sayfa Page	Parça No Part No	No No	Sayfa Page
N03/0100017	5	250502-00	N03/0100023	4	251104-00	N03/1310010	29	252001-00
N03/0100017	6	250502-00	N03/0100023	42	251202-00	N03/1310010	10	252201-00
N03/0100017	13_14	251202-00	N03/0100023	49	251202-00	N03/1310010	16	252401-00
N03/0100017	4	252701-00	N03/0100023	9	252401-00	N03/1310010	6	252601-00
N03/0100017	8	252701-00	N03/0100023	12	254101-00	N03/1310010	12	252601-00
N03/0100017	12	252701-00	N03/0100023	16	254101-00	N03/1310010	3	252701-00
N03/0100017	42	252701-00	N03/0100023	1_7	255101-00	N03/1310010	7	252701-00
N03/0100017	109	252701-00	N03/0100023	3	256103-00	N03/1310010	11	252701-00
N03/0100017	12	252702-00	N03/0100027	13_4	251202-00	N03/1310010	41	252701-00
N03/0100017	109	252702-00	N03/0100027	13_9	251202-00	N03/1310010	110	252701-00
N03/0100017	72	253601-00	N03/0100027	4	252501-00	N03/1310010	11	252702-00
N03/0100017	72	253601-01	N03/0100027	51	253001-00	N03/1310010	110	252702-00
N03/0100017	47	256003-00	N03/0100027	4	253401-00	N03/1310010	21	253203-00
N03/0100017	7	256004-00	N03/0100027	57	253601-00	N03/1310010	74	253203-00
N03/0100017	66	256004-00	N03/0100027	57	253601-01	N03/1310010	14	253204-00
N03/0100017	47	256104-00	N03/0100027	3	256001-00	N03/1310010	38	253204-00
N03/0100017	8	258002-00	N03/0100027	8	256001-00	N03/1310010	73	253601-00
N03/0100020	4	250503-00	N03/0100029	5	252401-00	N03/1310010	73	253601-01
N03/0100020	13	251101-00	N03/0100031	21	254101-00	N03/1310010	49	254101-00
N03/0100020	20	251101-00	N03/0108017	12	256104-00	N03/1310010	1_10	255101-00
N03/0100020	23	251101-00	N03/0800003	4	254101-00	N03/1310010	69	256004-00
N03/0100020	42	251101-00	N03/0800005	41	253001-00	N03/1310010	1_3_15	256102-00
N03/0100020	73	251101-00	N03/0800005	6	253101-00	N03/1310010	11	256104-00
N03/0100020	13	251102-00	N03/0800005	24	254101-00	N03/1310010	4	258002-00
N03/0100020	23	251102-00	N03/1170013	7	258003-00	N03/1310011	3	250503-00
N03/0100020	29	251102-00	N03/1310007	42	252501-00	N03/1310011	3	250504-00
N03/0100020	42	251102-00	N03/1310007	22_7	258002-00	N03/1310011	12	251101-00
N03/0100020	13	251104-00	N03/1310008	16_13	251101-00	N03/1310011	16_6	251101-00
N03/0100020	23	251104-00	N03/1310008	25_13	251102-00	N03/1310011	19	251101-00
N03/0100020	36	251104-00	N03/1310008	30_21	251104-00	N03/1310011	41	251101-00
N03/0100020	42	251104-00	N03/1310008	57	251201-00	N03/1310011	72	251101-00
N03/0100020	69	251105-00	N03/1310008	30	252501-00	N03/1310011	12	251102-00
N03/0100020	1_9	251106-00	N03/1310008	3	252601-00	N03/1310011	25_6	251102-00
N03/0100020	20	251106-00	N03/1310008	24	252601-00	N03/1310011	28	251102-00
N03/0100020	13_23	251202-00	N03/1310008	45	252701-00	N03/1310011	41	251102-00
N03/0100020	4	252301-00	N03/1310008	125	252701-00	N03/1310011	88	251102-00
N03/0100020	24	252401-00	N03/1310008	125	252702-00	N03/1310011	47	251103-00
N03/0100020	13	252501-00	N03/1310008	8	253203-00	N03/1310011	77	251103-00
N03/0100020	22	252701-00	N03/1310008	32	253204-00	N03/1310011	12	251104-00
N03/0100020	32	252701-00	N03/1310008	20	258002-00	N03/1310011	30_12	251104-00
N03/0100020	35	252701-00	N03/1310010	3	250102-00	N03/1310011	30-26	251104-00
N03/0100020	37	253202-00	N03/1310010	7	250102-00	N03/1310011	31_9	251104-00
N03/0100020	15	256104-00	N03/1310010	3	250501-00	N03/1310011	35	251104-00
N03/0100020	20	256104-00	N03/1310010	4	250502-00	N03/1310011	41	251104-00
N03/0100020	31	256104-00	N03/1310010	1_4	251101-00	N03/1310011	68	251105-00
N03/0100021	30_13	251104-00	N03/1310010	24_4	251102-00	N03/1310011	1_3	251106-00
N03/0100021	30_27	251104-00	N03/1310010	85	251102-00	N03/1310011	1_11	251106-00
N03/0100021	1_4	251106-00	N03/1310010	64	251103-00	N03/1310011	2	251106-00
N03/0100021	3	251106-00	N03/1310010	30_4	251104-00	N03/1310011	19	251106-00
N03/0100021	56	251201-00	N03/1310010	30_8	251104-00	N03/1310011	44	251201-00
N03/0100021	56	251202-00	N03/1310010	30_17	251104-00	N03/1310011	55	251202-00
N03/0100021	26	252701-00	N03/1310010	30_34	251104-00	N03/1310011	13	252001-00
N03/0100021	29	252701-00	N03/1310010	7	251106-00	N03/1310011	26	252001-00
N03/0100023	4	251101-00	N03/1310010	14_3	251201-00	N03/1310011	4	252101-00
N03/0100023	4	251102-00	N03/1310010	33	251201-00	N03/1310011	13	252201-00
N03/0100023	7	251103-00	N03/1310010	13_15	251202-00	N03/1310011	5	252301-00

PARÇA NUMARASI İNDEKSİ

PART NO INDEX

Parça No Part No	No No	Sayfa Page	Parça No Part No	No No	Sayfa Page	Parça No Part No	No No	Sayfa Page
N03/1310011	20	252401-00	N03/1310014	31	255201-00	N04/1150349	132	252701-00
N03/1310011	12	252501-00	N03/1310014	1_15	255301-00	N04/1150349	132	252702-00
N03/1310011	20	252501-00	N03/1310014	7	256001-00	N04/1150349	41	256104-00
N03/1310011	15	252601-00	N03/1310016	21	252001-00	N04/1150359	16	258001-00
N03/1310011	104	253003-00	N03/1310016	74	253001-00	N04/1150362	28	256004-00
N03/1310011	11	253101-00	N03/1310016	7	254101-00	N04/1210350	29	258001-00
N03/1310011	21	253202-00	N03/1310016	33	254101-00	N04/1520914	6_4	256103-00
N03/1310011	34	253202-00	N03/1310017	1_8	255301-00	N04/1671826	1_3	256101-00
N03/1310011	36	253202-00	N03/1310032	18	252001-00	N04/1671826	1_8	256102-00
N03/1310011	58	253204-00	N03/1360008	3	253201-00	N04/1671826	8	256103-00
N03/1310011	8	253401-00	N03/1360010	14	250102-00	N04/1671826	11	256103-00
N03/1310011	15	253401-00	N03/1360010	16	252701-00	N04/1671838	19	256004-00
N03/1310011	20	253401-00	N03/1360010	21	252701-00	N04/1671838	52	256004-00
N03/1310011	29	254101-00	N03/1360010	25	252701-00	N04/1671862	33	256103-00
N03/1310011	5	256001-00	N03/1360010	28	252701-00	N04/1671862	41	256104-00
N03/1310012	28	250101-00	N03/1360010	31	252701-00	N04/1672455	4	256004-00
N03/1310012	56	250101-00	N03/1360010	34	252701-00	N04/2180374	30_33	251104-00
N03/1310012	3	251101-00	N03/1360010	14	253001-00	N04/3700926	13_17	251202-00
N03/1310012	3	251102-00	N03/1360010	65	253001-00	N04/3700976	6_4	256103-00
N03/1310012	6	251103-00	N03/1360010	70	253001-00	N04/3700976	16	256104-00
N03/1310012	3	251104-00	N03/1360010	86	253001-00	N04/3700976	48	256104-00
N03/1310012	41	251202-00	N03/1360010	101	253001-00	N04/3700976	52	256104-00
N03/1310012	48	251202-00	N03/1360010	20	253002-00	N04/3701118	41	256003-00
N03/1310012	15	252001-00	N03/1360010	38	253002-00	N04/3701118	61	256004-00
N03/1310012	10	252401-00	N03/1360010	79	253002-00	N04/3701144	35	256103-00
N03/1310012	128	253002-00	N03/1360010	92	253002-00	N04/3701169	37	256104-00
N03/1310012	23	253301-00	N03/1360010	137	253002-00	N04/3701394	9	256004-00
N03/1310012	11	254101-00	N03/1360010	142	253002-00	N04/4061070	22_11	258002-00
N03/1310012	15	254101-00	N03/1360010	8	253101-00	N04/4061404	22_5	258002-00
N03/1310012	1_6	255101-00	N03/1360010	31	253301-00	N04/4320484	37	251203-00
N03/1310012	4	256103-00	N03/1360010	35	253301-00	N04/9530350	60	252701-00
N03/1310012	35	256104-00	N03/1360010	38	253301-00	N04/9530350	14	256004-00
N03/1310014	25	250101-00	N03/1360010	42	253301-00	N04/9530350	49	256103-00
N03/1310014	32	250101-00	N03/1360010	46	253301-00	N04/9530350	46	256104-00
N03/1310014	59	250101-00	N03/1360010	50	253601-00	N04/9530350	44	258001-00
N03/1310014	44	250102-00	N03/1360010	62	253601-00	N04/9530360	33	256103-00
N03/1310014	13_5	251202-00	N03/1360010	50	253601-01	N05/0020007	57	256003-00
N03/1310014	13_10	251202-00	N03/1360010	62	253601-01	N05/0020009	56	256003-00
N03/1310014	4	252401-00	N03/1360010	14	256104-00	N05/0020015	52	256003-00
N03/1310014	3	252501-00	N03/1360010	30	256104-00	N05/0020063	69	250101-00
N03/1310014	3	253001-00	N03/1360011	10	253003-00	N05/0020064	69	250101-00
N03/1310014	50	253001-00	N03/1360011	30	253003-00	N05/0760012	1_3_6	256102-00
N03/1310014	95	253001-00	N03/1360011	34	253003-00	N06/1001615	9	252601-00
N03/1310014	111	253001-00	N03/1360011	120	253003-00	N06/1001615	20	252601-00
N03/1310014	116	253001-00	N03/1360011	42	253601-00	N06/1001615	1_3_9	256102-00
N03/1310014	132	253002-00	N03/1360011	45	253601-00	N06/1002015	22	251101-00
N03/1310014	108	253003-00	N03/1360011	45	253601-01	N06/1002015	22	251102-00
N03/1310014	3	253101-00	N03/1360015	23	253003-00	N06/1002015	22	251104-00
N03/1310014	16	253301-00	N03/1360015	20	254101-00	N06/1002015	15	251106-00
N03/1310014	20	253301-00	N03/2500003	13_18	251202-00	N06/1002015	13_1_6	251202-00
N03/1310014	27	253301-00	N03/2500014	12	258003-00	N06/1002525	21	256104-00
N03/1310014	3	253401-00	N04/1150218	26	258001-00	N07/4010016	31	252401-00
N03/1310014	56	253601-00	N04/1150338	57	252701-00	N07/4010016	17	252501-00
N03/1310014	56	253601-01	N04/1150338	106	252701-00	N07/4010016	22	252501-00
N03/1310014	36	254101-00	N04/1150338	106	252702-00	N07/4010016	24	252501-00
N03/1310014	31	255101-00	N04/1150349	58_9	251103-00	N07/4010016	63	252701-00

PARÇA NUMARASI İNDEKSİ

PART NO INDEX

Parça No Part No	No No	Sayfa Page	Parça No Part No	No No	Sayfa Page	Parça No Part No	No No	Sayfa Page
N07/4010016	45	253001-00	N10/2001317	48	250102-00	N10/2002436	8	253601-01
N07/4016027	35	252301-00	N10/2001322	72	250102-00	N10/2002436	83	253601-01
N07/4016027	2	252702-00	N10/2001322	76	250102-00	N10/2002835	63	250101-00
N07/4016027	5	252702-00	N10/2001322	78	250102-00	N10/2002835	65	250101-00
N07/4016027	8	252702-00	N10/2001322	81	250102-00	N10/2002835	83	250101-00
N07/4016027	15	252702-00	N10/2001322	502	253201-00	N10/2002835	16	250102-00
N07/4016027	18	252702-00	N10/2001322	508	253201-00	N10/2002835	37	250102-00
N07/4020032	01988	252008-00	N10/2001322	511	253201-00	N10/2002835	41	250102-00
N07/4025040	35	252501-00	N10/2001322	14_5	253202-00	N10/2002835	103	250103-00
N07/4025040	38	252501-00	N10/2001322	502	253202-00	N10/2002835	55	253001-00
N07/4025040	40	252501-00	N10/2001322	25	253203-00	N10/2002835	58	253001-00
N07/4050070	17	256103-00	N10/2001322	76	253203-00	N10/2002917	50	250101-00
N07/4060080	39	252401-00	N10/2001322	40	253204-00	N10/2002917	52	250101-00
N07/4060080	3	256101-00	N10/2001322	55	253204-00	N10/2002917	62	250101-00
N07/4060080	3	256102-00	N10/2001322	2	253205-00	N10/2002917	66	250101-00
N07/4060080	14	256103-00	N10/2001322	4	253205-00	N10/2002917	11	250103-00
N07/4070090	8	252201-00	N10/2001322	8	253205-00	N10/2002917	105	250103-00
N07/4080100	42	252401-00	N10/2001323	28	253401-00	N10/2002931	76	253601-00
N07/4090110	43	252401-00	N10/2001323	11	253601-00	N10/2002931	76	253601-01
N07/4120140	7	252201-00	N10/2001323	13	253601-00	N10/2003335	11	250102-00
N07/4315070	65	253601-00	N10/2001323	21	253601-00	N10/2003335	12	253001-00
N07/4319011	122	253003-00	N10/2001323	23	253601-00	N10/2003335	62	253001-00
N07/7010908	47	254101-00	N10/2001323	25	253601-00	N10/2003335	67	253001-00
N07/7010908	1_8	255101-00	N10/2001323	35	253601-00	N10/2003335	83	253001-00
N07/8205963	65	253601-01	N10/2001323	39	253601-00	N10/2003335	98	253001-00
N07/8401213	6	252201-00	N10/2001323	11	253601-01	N10/2003335	17	253002-00
N07/C6205200	70	253601-00	N10/2001323	13	253601-01	N10/2003335	36	253002-00
N07/C6205200	70	253601-01	N10/2001323	21	253601-01	N10/2003335	76	253002-00
N08/1110000	41	254101-00	N10/2001323	23	253601-01	N10/2003335	89	253002-00
N08/1110000	1_8	255201-00	N10/2001323	25	253601-01	N10/2003335	134	253002-00
N08/1110000	3_5	255401-00	N10/2001323	35	253601-01	N10/2003335	139	253002-00
N08/1110000	1	255801-00	N10/2001323	39	253601-01	N10/2003335	8	253003-00
N08/1130000	53	253001-00	N10/2001723	3	253601-00	N10/2003335	27	253003-00
N10/2001024	14	253101-00	N10/2001723	16	253601-00	N10/2003335	31	253003-00
N10/2001024	23	253202-00	N10/2001723	28	253601-00	N10/2003335	12	253101-00
N10/2001024	25	253202-00	N10/2001723	3	253601-01	N10/2003335	29	253301-00
N10/2001024	519	253202-00	N10/2001723	16	253601-01	N10/2003335	33	253301-00
N10/2001024	2	253203-00	N10/2001723	28	253601-01	N10/2003335	36	253301-00
N10/2001024	10	253203-00	N10/2001724	16	253101-00	N10/2003335	40	253301-00
N10/2001024	23	253203-00	N10/2001724	14_3	253202-00	N10/2003335	44	253301-00
N10/2001024	506	253203-00	N10/2001724	27	253204-00	N10/2003737	9	250103-00
N10/2001024	517	253203-00	N10/2001724	34	253204-00	N10/2004735	43	253601-00
N10/2001024	16	253204-00	N10/2001921	18	253601-00	N10/2005636	52	253601-00
N10/2001024	49	253204-00	N10/2001921	18	253601-01	N10/2005636	52	253601-01
N10/2001024	60	253204-00	N10/2002234	24	253401-00	N10/2006935	118	253003-00
N10/2001024	68	253204-00	N10/2002317	10	250102-00	N10/2016457	21	253401-00
N10/2001024	506	253204-00	N10/2002317	35	250102-00	N10/2016957	14	252501-00
N10/2001024	6	253205-00	N10/2002317	39	250102-00	N10/2018957	9	253401-00
N10/2001024	13	253205-00	N10/2002317	46	250102-00	N10/2022957	16	253401-00
N10/2001024	15	253205-00	N10/2002331	78	253601-00	N10/2500304	55	252701-00
N10/2001024	24	253205-00	N10/2002331	83	253601-00	N10/2500508	47	252701-00
N10/2001024	31	253601-00	N10/2002331	78	253601-01	N10/2500508	49	252701-00
N10/2001024	81	253601-00	N10/2002436	125	253003-00	N10/2500708	52	252701-00
N10/2001024	31	253601-01	N10/2002436	6	253601-00	N10/5809505	1_5	255201-00
N10/2001024	81	253601-01	N10/2002436	8	253601-00	N10/5901056	1_7	255201-00
N10/2001119	5	253201-00	N10/2002436	6	253601-01	N10/5901056	3_4	255401-00

PARÇA NUMARASI İNDEKSİ

PART NO INDEX

Parça No Part No	No No	Sayfa Page	Parça No Part No	No No	Sayfa Page	Parça No Part No	No No	Sayfa Page
N10/5901056	3_4	255401-00	N16/K114342	38	253601-01	N16/X120001	3	253205-00
N10/5911010	1_3	255101-00	N16/K114343	15	253101-00	N16/X120001	27	253401-00
N10/5911010	1_3	255201-00	N16/K114343	14_2	253202-00	N16/X120001	24	253601-00
N14/0010600	8	252501-00	N16/K114343	26	253204-00	N16/X120001	24	253601-01
N14/0010600	34	252501-00	N16/K114343	33	253204-00	N16/X120002	23	253401-00
N14/0010650	7_1	252702-00	N16/K114343	2	253601-00	N16/X120002	82	253601-01
N14/0020200	8	252501-00	N16/K114343	27	253601-00	N16/X120003	14_6	253202-00
N14/0020300	43	253001-00	N16/K114343	2	253601-01	N16/X120004	22	253202-00
N15/6450958	56	256004-00	N16/K114343	27	253601-01	N16/X120004	15	253204-00
N16/J360104	12	250102-00	N16/K114344	124	253003-00	N16/X120004	80	253601-00
N16/J360104	63	253001-00	N16/K114344	5	253601-00	N16/X120004	80	253601-01
N16/J360104	68	253001-00	N16/K114344	7	253601-00	N16/X162003	77	253601-00
N16/J360104	84	253001-00	N16/K114344	5	253601-01	N16/X162003	82	253601-00
N16/J360104	99	253001-00	N16/K114344	7	253601-01	N16/X162003	77	253601-01
N16/J360104	18	253002-00	N16/K114345	54	253001-00	N16/X162005	75	253601-00
N16/J360104	77	253002-00	N16/K114345	57	253001-00	N16/X162005	75	253601-01
N16/J360104	90	253002-00	N16/K114348	75	253203-00	N16/X181002	9	252501-00
N16/J360104	135	253002-00	N16/K114348	42	253204-00	N16/X181004	9	252501-00
N16/J360104	140	253002-00	N16/K114349	14_8	253202-00	N50/0003025	22_8	258002-00
N16/J360104	9	253101-00	N16/K114356	17	253204-00	S91/00631	12	256004-00
N16/J360104	28	253301-00	N16/K114357	39	253204-00	S91/00960	34	251202-00
N16/J360104	32	253301-00	N16/K114357	10	253601-00	S91/00960	45	256003-00
N16/J360104	39	253301-00	N16/K114357	12	253601-00	Y06/11340	45	257001-00
N16/J360104	43	253301-00	N16/K114357	10	253601-01	Y06/11340	45	257002-00
N16/J460104	28	253003-00	N16/K114357	12	253601-01			
N16/J460104	32	253003-00	N16/K130129	15	250102-00			
N16/K114207	64	250101-00	N16/K130129	36	250102-00			
N16/K114341	13	253101-00	N16/K130129	40	250102-00			
N16/K114341	24	253202-00	N16/K130129	22	253101-00			
N16/K114341	1	253203-00	N16/K130131	64	250101-00			
N16/K114341	22	253203-00	N16/K130131	104	250103-00			
N16/K114341	505	253203-00	N16/K130132	10	250103-00			
N16/K114341	18	253204-00	N16/K200301	6	255801-00			
N16/K114341	48	253204-00	N16/K200302	16_2	253202-00			
N16/K114341	59	253204-00	N16/K214462	17	253601-00			
N16/K114341	505	253204-00	N16/K214462	17	253601-01			
N16/K114341	5	253205-00	N16/K230111	33	250102-00			
N16/K114341	14	253205-00	N16/K310366	4	253201-00			
N16/K114341	30	253601-00	N16/K440106	10	252501-00			
N16/K114341	30	253601-01	N16/K440108	33	252501-00			
N16/K114342	71	250102-00	N16/K440301	47	253001-00			
N16/K114342	75	250102-00	N16/K440301	4	255801-00			
N16/K114342	77	250102-00	N16/K520107	54	253204-00			
N16/K114342	80	250102-00	N16/N910001	516	253203-00			
N16/K114342	501	253201-00	N16/N910001	67	253204-00			
N16/K114342	14_4	253202-00	N16/N910005	54	253001-00			
N16/K114342	501	253202-00	N16/R020202	24	253101-00			
N16/K114342	24	253203-00	N16/R020202	12	253205-00			
N16/K114342	1	253205-00	N16/R060606	23	253101-00			
N16/K114342	20	253601-00	N16/R060606	15	253601-00			
N16/K114342	22	253601-00	N16/R060606	15	253601-01			
N16/K114342	34	253601-00	N16/T020404	9	253203-00			
N16/K114342	38	253601-00	N16/T040404	510	253201-00			
N16/K114342	20	253601-01	N16/X120001	14_7	253202-00			
N16/K114342	22	253601-01	N16/X120001	78	253203-00			
N16/K114342	34	253601-01	N16/X120001	43	253204-00			

PARA ADI İNDEKSİ / PART DESCRIPTION INDEX

PARA ADI İNDEKSİ

Para Adı	No	Sayfa	Para Adı	No	Sayfa
3'lü Öncelik Sol. Valf	72	253203-00	Anahtar, Regülatör	07235C	252026-00
3'lü Öncelik Sol. Valf		253208-00	Anahtar, Silecek	36	258001-00
3'lü Selenoid Valf	12	253204-00	Anahtar, Silecek Motoru	22	258001-00
3'lü Selenoid Valf		253209-00	Anahtar, Su Püskürtme	38	258001-00
Ağırlık Ayar KİTİ, Op. Koltuğu	16	256105-00	Anahtar, Tahrik Dişlisi	07027	252023-00
Akordion Körük, Joistik	31	253206-00	Anahtar, Tepe Lambası	5	250501-00
Akordion Körük, Pedal	36	253207-00	Anahtar, Uzun-Kısa Far	42	258001-00
Akü	1	258003-00	Anahtar, Yakıt Enjeksiyon Pom.	07124	252024-00
Akü Sandığı Alt. Mont.	13_1	251202-00	Anahtar, Zamanlama Dişlileri	03297	252015-00
Akü Sandığı KM	13_1_1	251202-00	Anot, Kızdırma Bujisi	14615B	252037-00
Akü Sandığı Montajı	13	251202-00	Anot, Kızdırma Bujisi	14615C	252037-00
Akümülatör	52	253204-00	Anten	24_3	258001-00
Akümülatör Bloğu	56	253204-00	Arka Ağırlık KM	14_1	251201-00
Alt Cam Sacı, Sağ	34	256002-01	Arka Ağırlık Montajı	14	251201-00
Alt Cam Sacı, Sol	35	256002-01	Arka Çalışma Lambası Montajı		250502-00
Alt Kapak Sacı, AKV	61	251201-00	Arka Grup, Alıştırma, Pompa	•	253012-00
Alt Kapak Sacı, Hava Filtresi	8	251201-00	Arm K.M.	1_1A	255201-00
Alt Kapak Sacı, Hidrolik Depo	3	251201-00	Arm K.M.	1_1B	255201-00
Alt Kapak Sacı, Kabin, Arka	7	251201-00	Arm Montajı	1A	255201-00
Alt Kapak Sacı, Kabin, Orta	6	251201-00	Arm Montajı	1B	255201-00
Alt Kapak Sacı, Kabin, Ön	5	251201-00	Arm Silindiri	3	253301-00
Alt Kapak Sacı, Motor	9	251201-00	Aşırı Yük Tahliye Valfi, Yür. Motoru	66	253103-00
Alt Kapak Sacı, Pom.	4	251201-00	Ayak Dayama Sacı, Sağ	8	256104-00
Alt Kapak Sacı, Yakıt Deposu	2	251201-00	Ayak Dayama Sacı, Sol	6	256104-00
Alt Kapak, Alt Şase	9	254101-00	Ayar Şimi, Filtre Kapısı	39	251104-00
Alt Şasi K.M.	1	254101-00	Ayar Şimi, Pompa Kapısı	39	251102-00
Alternatör Kompleksi	14200A	252038-00	Ayar Şimi, Radyatör Kapısı	39	251101-00
Altlık, Radyatör	2	252401-00	Ayna	34	251202-00
Amortisör Bağ. Pimi, Tavan Kapağı	33	256003-00	Ayna Kolu K.M.	42	256003-00
Amortisör KİTİ, Op. Koltuğu	14	256105-00	Basamak Sacı	37	254101-00
Amortisör, Sol Konsol	27	256104-00	Basınç Müşiri, AKV, PA	520	253202-00
Amortisör, Tavan Kap.	32	256003-00	Basınç Müşiri, AKV, PT	25	253205-00
Ampul, Çalışma Lambası	10	258002-00	Biyel Kolu Komp.	03010A	252013-00
Ampul, Far	2	258002-00	Blok, Kule Dönüş Dişlisi	42	254101-00
Ampul, İkaz Lambası	31	258002-00	Blok, Pedal	32	253207-00
Ampul, İkaz Lambası	32	258002-00	Blok, Pilot	19	253203-00
Ampul, İkaz Lambası	33	258002-00	Blok, Valf, Pompa	312	253012-00
Ampul, Kabin İçi Aydınlatma	21	258001-00	Bobin, 3'lü Öncelik Selenoid Valfi	3	253208-00
Ana Bom K.M.	1_1	255101-00	Bobin, 3'lü Selenoid Valf	3	253209-00
Ana Bom K.M.	1_1	255101-00	Bobin, Alternatör Rotoru	14241	252038-00
Ana Bom Montajı	1	255101-00	Bom Silindiri, Sağ	1	253301-00
Ana Bom Montajı	1	255101-00	Bom Silindiri, Sol	2	253301-00
Ana Bom Silindiri, Sağ	1	253301-00	Buton Paneli Sacı	51	256104-00
Ana Bom Silindiri, Sol	2	253301-00	Buzzer	14	258001-00
Ana Elektrik Tesisatı	1	258004-00	Bypass Valfi, Kule Dönüş Motoru	30	253017-00
Ana Kesici	5	258003-00	By-Pass Valfi, Yağ Soğutucu, Motor	04353	252019-00
Ana Kumanda Valfi	1	253001-00	Cam Kulbu	27	256003-00
Anahtar, Arka Çalışma Lambası	7	250502-00	Cam Kulbu	25_3	256002-00
Anahtar, Çalışma Modu Anahtarı	45	258001-00	Cam Kulbu	25_3	256002-01
Anahtar, Kam Mili	03196	252014-00	Cam Kulbu Karşılığı	34	256003-00
Anahtar, Kısa Far	42	258001-00	Cam Kulbu Karşılığı Sacı	35	256003-00
Anahtar, Klima/Fan	101	252701-00	Cam Suyu Tankı	27_1	258002-00
Anahtar, Klima/Fan	101	252702-00	Cam Suyu Tankı Kompleksi	27	258002-00
Anahtar, Klima-Çalışma Lambası	37	258001-00	Cam, Arka	16	256002-00
Anahtar, Ön Çalışma Lambası	5	250503-00	Cam, Arka	16	256002-01
Anahtar, Regülatör	07235B	252025-00	Cam, Kapı, Alt	22	256002-00

PARA ADI İNDEKSİ

Para Adı	No	Sayfa	Para Adı	No	Sayfa
Cam, Kapı, Alt	22	256002-01	Dişli Kutusu, Yürüyüş Ünitesi		253102-00
Cam, Kapı, Üst	25_1	256002-00	Dişli ve Gövde KİTİ, Yağ Pompası	04005	252017-00
Cam, Kapı, Üst	25_2	256002-00	Dişli ve Popet Kompleksi, Pilot Pom.	•	253013-00
Cam, Kapı, Üst	25_1	256002-01	Dişli, Redüktör İç	14038	252037-00
Cam, Kapı, Üst	25_2	256002-01	Dişli, Enjeksiyon Pompası Zaman.	07362	252023-00
Cam, Ön Çereve	6	256002-00	Dişli, Kam Mili	03136	252015-00
Cam, Ön Çereve	6	256002-01	Dişli, Krank Mili	03026	252015-00
Cam, Ön, Alt	26	256002-00	Dişli, Marş Motoru Redüktörü	14037	252037-00
Cam, Ön, Alt	26	256002-01	Dişli, Pompa	116	253012-00
Cam, Sağ, Arka	13	256002-00	Dişli, Redüktör Pinyon, Marş Motoru	14039	252037-00
Cam, Sağ, Arka	13	256002-01	Dişli, Yağ Pompası	04016	252017-00
Cam, Sağ, Ön	10	256002-00	Diyafram, Regülatör	07222	252025-00
Cam, Sağ, Ön	10	256002-01	Dolgu Las., Sağ Arka	58	256003-00
Cam, Sol, Arka	19	256002-00	Dolgu Lastiği, Sağ Ön	10	256003-00
Cam, Sol, Arka	19	256002-01	Dolgu Lastiği, Sol	59	256003-00
CD Çalar	24_1	258001-00	Döner Ağırlık, Regülatör	07226A	252026-00
Cep, Kapak Sağ	30	256103-00	Döner Ağırlık, Zamanlayıcı	07359	252027-00
Cer Dişlisi	2	254101-00	Döner Ağırlık, Zamanlayıcı	07359A	252027-00
Cıvata, Arka Ağırlık	11	251201-00	Döner Dağıtıcı	1	253101-00
Cıvata, Arka Ağırlık	11	251201-00	Döner Dağıtıcı		253104-00
Çakmak	4	258001-00	Döner Menfez	39	256103-00
Çalışma Lambası	1	250502-00	Dönüş Filtresi	10	253401-00
Çalışma Lambası	1	250503-00	Düğme, Arka Çalışma Lambası	6	250502-00
Çalışma Lambası	7	258002-00	Düğme, Çalışma Lambası	31	258001-00
Çalışma Saati	49	258001-00	Düğme, Kısa Far	32	258001-00
Çamur Tutucu	61	252701-00	Düğme, Klima	30	258001-00
Çek Valf, ByPass, Dönüş/Sızıntı Hattı	51	253601-00	Düğme, Ön Çalışma Lambası	6	250503-00
Çek Valf, ByPass, Dönüş/Sızıntı Hattı	58	253601-00	Düğme, Silecek	34	258001-00
Çek Valf, ByPass, Dönüş/Sızıntı Hattı	51	253601-01	Düğme, Su Püskürtme	33	258001-00
Çek Valf, ByPass, Dönüş/Sızıntı Hattı	58	253601-01	Düğme, Tepe Lambası	6	250501-00
Çek Valf, Hidrolik Depo	11	253401-00	Egzoz Borusu	1	252301-00
Çek Valf, Pilot	36	253204-00	Egzoz Manifoldu	12000	252035-00
Çek Valf, Piston Yağlama	01305	252010-00	Egzoz Supabı	03420	252014-00
Çek Valf, Uç Bom Silindiri	27	253304-00	El Gazı Kolu	16	252601-00
Çek Valf, Yürüyüş Motoru	43	253103-00	El Gazı Teli	7	252601-00
Çereve Kompleksi, Kabin Kapısı	25	256002-00	Elcik	13_16	251202-00
Çereve Montajı, Pompa	24	251102-00	Elektrik Tesisatı, Ana	1	258004-00
Çereve Montajı, Filtre	30	251104-00	Elektrik Tesisatı, Kabin	1	258006-00
Çereve Montajı, Radyatör	1	251101-00	Elektrik Tesisatı, Klima	41	258001-00
Çereve Sacı KM, Filtre	30_1	251104-00	Elektrik Tesisatı, Motor	1	258005-00
Çereve Sacı KM, Pompa	24_1	251102-00	Emiş Borusu K.M., Hidrolik Depo	18	253401-00
Çereve Sacı KM, Radyatör	1_1	251101-00	Emiş Filt. Kapağı	13	253401-00
Çereve, Kapı Camı	25_6	256002-00	Emiş Filtresi	17	253401-00
Çereve, Kapı Camı	25_6	256002-01	Emiş Flanşı K.M.	7	252501-00
Çereve, Ön Cam	3	256002-00	Emiş Hortumu	51	252701-00
Çereve, Ön Cam	3	256002-01	Emiş Hortumu	121	253003-00
Davlumbaz, KM	53	252401-00	Emme Supabı	03410	252014-00
Destek A, Kule Dönüş Dişlisi	22_3	254101-00	Emniyet Kemerı KİTİ	3	256105-00
Destek B, Kule Dönüş Dişlisi	22_4	254101-00	Emniyet Kemerı ve Bağlantısı KİTİ	4	256105-00
Destek Kolu KM, Motor Kaputu	16	251106-00	Emniyet Kilidi Montajı	1_3	256102-00
Destek Kolu, K.M., Sağ, Palet	2	255401-00	Emniyet Rölesi	48	258001-00
Destek Kolu, K.M., Sol, Palet	1	255401-00	Emniyet Sviçi	1_7	256102-00
Dinamo Fırçası	14020	252037-00	Emniyet Valfi Kiti, AKV	68	253004-00
Dişli Kutusu, Kule Dönüş Ünitesi	39_1	253001-00	Emniyet Valfi Kiti, AKV	69	253004-00
Dişli Kutusu, Kule Dönüş Ünitesi		253016-00	Emniyet Valfi Kiti, AKV	69	253005-00
Dişli Kutusu, Step Motor	22_2	258002-00	Emniyet Valfi Komp., AKV	70	253006-00

PARA ADI İNDEKSİ

Para Adı	No	Sayfa	Para Adı	No	Sayfa
Emniyet Valfi Komp., AKV	70	253007-00	Etiket, Model	1	257002-00
Emniyet Valfi, Kule Dönüş Motoru	45	253017-00	Etiket, Oto.- Manuel	31	257001-00
Endüvi Kiti, Marş Mot.	14001	252037-00	Etiket, Oto.- Manuel	31	257002-00
Etiket, Akü Uyarı	13	257001-00	Etiket, Pompa	981	253012-00
Etiket, Akü Uyarı	13	257002-00	Etiket, Rezer. Tankı	26	257001-00
Etiket, Palet Ayarı	3	257001-00	Etiket, Rezer. Tankı	26	257002-00
Etiket, Palet Ayarı	3	257002-00	Etiket, Sigorta	30	257001-00
Etiket, Acil Çıkış	2	257001-00	Etiket, Sigorta	30	257002-00
Etiket, Acil Çıkış	2	257002-00	Etiket, Teknik Özellik	23	257001-00
Etiket, Akü Sandığı	38	257001-00	Etiket, Teknik Özellik	23	257002-00
Etiket, Akü Sandığı	38	257002-00	Etiket, Uyarı	71720T	252039-00
Etiket, AKV	79	253004-00	Etiket, Uyarı	11	257001-00
Etiket, Ana Kesici, Açık/Kapalı	14	257001-00	Etiket, Uyarı	16	257001-00
Etiket, Ana Kesici, Açık/Kapalı	14	257002-00	Etiket, Uyarı	17	257001-00
Etiket, Ataçman	1_17	255301-00	Etiket, Uyarı	28	257001-00
Etiket, Ataşman	41	257001-00	Etiket, Uyarı	11	257002-00
Etiket, Ataşman	41	257002-00	Etiket, Uyarı	16	257002-00
Etiket, El Gazı Kullanımı	21	257001-00	Etiket, Uyarı	17	257002-00
Etiket, El Gazı Kullanımı	21	257002-00	Etiket, Uyarı	28	257002-00
Etiket, Elektrik İkaz	45	257001-00	Etiket, Uyarı, Arka Ağırlık	12	257001-00
Etiket, Elektrik İkaz	45	257002-00	Etiket, Uyarı, Arka Ağırlık	12	257002-00
Etiket, Emniyet	27	257001-00	Etiket, Uyarı, Sıcak	24	257001-00
Etiket, Emniyet	27	257002-00	Etiket, Uyarı, Sıcak	24	257002-00
Etiket, Emniyetli Kullanım	18	257001-00	Etiket, Yağ Uyarı	01912B	252039-00
Etiket, Emniyetli Kullanım	18	257002-00	Etiket, Yağlama Tablosu	22	257001-00
Etiket, Emniyetli Mesafe, Sağ	5	257001-00	Etiket, Yağlama Tablosu	22	257002-00
Etiket, Emniyetli Mesafe, Sağ	5	257002-00	Etiket, Yakıt	7	257001-00
Etiket, Emniyetli Mesafe, Sol	4	257001-00	Etiket, Yakıt	7	257002-00
Etiket, Emniyetli Mesafe, Sol	4	257002-00	Etiket, Zemin, Hid. D.	34	257001-00
Etiket, Gürültü Seviyesi, Dış	48	257001-00	Etiket, Zemin, Hid. D.	34	257002-00
Etiket, Gürültü Seviyesi, Dış	48	257002-00	Etiket, Zemin, Kabin	35	257001-00
Etiket, Gürültü Seviyesi, İç	47	257001-00	Etiket, Zemin, Kabin	35	257002-00
Etiket, Gürültü Seviyesi, İç	47	257002-00	Etiket, Zemin, Kapı	37	257001-00
Etiket, Hava Alma	20	257001-00	Etiket, Zemin, Kapı	37	257002-00
Etiket, Hava Alma	20	257002-00	Etiket, Zemin, Takım Sandığı	36	257001-00
Etiket, Hava Filtresi	25	257001-00	Etiket, Zemin, Takım Sandığı	36	257002-00
Etiket, Hava Filtresi	25	257002-00	Evaporatör	56	252701-00
Etiket, Hidrolik Yağ	10	257001-00	Fan	11	252001-00
Etiket, Hidrolik Yağ	10	257002-00	Fan Muhafazası, K.M.	27	252401-00
Etiket, Hidrolik Yağ Seviyesi	29	257001-00	Fan, Klima	105	252701-00
Etiket, Hidrolik Yağ Seviyesi	29	257002-00	Fan, Klima	105	252702-00
Etiket, Kaldırma Kapasitesi	46	257001-00	Far	1	258002-00
Etiket, Kaldırma Kapasitesi	46	257002-00	Far Muhafazası	23	251201-00
Etiket, Klima	104	252701-00	Far Sacı KM	29	251201-00
Etiket, Klima	104	252702-00	Far Titreşim Lastiği	24	251201-00
Etiket, Kullanım	19	257001-00	Fıskiye Contası	27_4	258002-00
Etiket, Kullanım	19	257002-00	Fıskiye Pompası	27_3	258002-00
Etiket, Kullanım Öncesi	15	257001-00	Fıskiye Memesi	11	256003-00
Etiket, Kullanım Öncesi	15	257002-00	Filtre Elemanı, Emiř Filtresi	17_1	253401-00
Etiket, Logo	39	257001-00	Filtre Elemanı, Hava Filtresi	5_2	252201-00
Etiket, Logo	39	257002-00	Filtre Elemanı, İç, Hava Filtresi	5_1	252201-00
Etiket, Makine	6	257001-00	Filtre Elemanı, Pilot Filtre	29_1	253204-00
Etiket, Makine	6	257002-00	Filtre Sacı, Polen Filtre	44	256004-00
Etiket, Mod Seçimi	49	257001-00	Fren Lamba Müşiri	65	253203-00
Etiket, Mod Seçimi	49	257002-00	Fren Pistonu, Yürüyüş Motoru	32	253103-00
Etiket, Model	1	257001-00	Fren Valfi, Yürüyüş Motoru	68	253103-00

PARÇA ADI İNDEKSİ

Parça Adı	No	Sayfa	Parça Adı	No	Sayfa
Fren Yayı, Yürüyüş Motoru	56	253103-00	İç Kilit Kapağı	13	256004-00
Genel Amaçlı Kepçe K.M.	1_1A	255301-00	İç Kilit Kapama Sacı	13	256004-00
Genel Amaçlı Kepçe K.M.	1_1B	255301-00	İç Tutunma Kolu	64	256004-00
Genel Amaçlı Kepçe K.M.	1_1C	255301-00	İstikamet Tekerı	1	254104-00
Genel Amaçlı Kepçe Kompleı	1A	255301-00	İstikamet Tekerı Kompleı		254104-00
Genel Amaçlı Kepçe Kompleı	1B	255301-00	İstikamet Tekerı Kompleı	17	254101-00
Genel Amaçlı Kepçe Kompleı	1C	255301-00	İzolasyon Sacı, Filtre	30_15	251104-00
Genleşme Supabı, Yürüyüş Motoru	69	253103-00	İzolasyon Sacı, Üst Kapak, AKV	58_2	251103-00
Gerdirme Mekanizması Kompleı	18	254101-00	İzolasyon Sacı, Üst Kapak, AKV	58_3	251103-00
Gerdirme Mekanizması Kompleı		254105-00	İzolasyon Sacı, Üst Kapak, AKV	58_4	251103-00
Geri Kilit	20	256004-00	Joistik Montajı, Sağ	1	253201-00
Geri Kilit Açma Kolu	22	256004-00	Joistik Montajı, Sağ		253206-00
Geri Kilit Karşılığı	5	256004-00	Joistik Montajı, Sol	12	253201-00
Giriş Manifoldu	11400	252034-00	Joistik Montajı, Sol		253206-00
Gömlek ve Piston Kiti, Motor	01340	252005-00	Kabin Elektrik Tesisatı	1	258006-00
Gömlek ve Piston Kiti, Motor	01340	252005-00	Kabin K.M.	1	256002-00
Gömlek ve Piston Kiti, Motor	01340	252005-00	Kabin K.M.	1	256002-01
Gömlek, AKV	99	253009-00	Kabin Montajı		256002-00
Gömlek, Regülatör, Motor	07265	252026-00	Kabin Montajı		256002-01
Gömlek, Silindir, Motor	01342	252010-00	Kabin Takoı	1	256001-00
Gömlek, Yakıt Enjeksiyon Pompası	07147C	252024-00	Kablo KİTİ, Operatör Koltuğı	22	256105-00
Gömme Kilit	3	256004-00	Kablo, Akü (-)-Akü(+)	2	258003-00
Gösterge, Subap Ayarı	02124	252012-00	Kablo, Akü (-)-Ana Kesici	3	258003-00
Gresörlük, Bom Silindiri	37	253302-00	Kablo, Akü (+)-Marş Motoru	4	258003-00
Gresörlük, Bom Silindiri	38	253302-00	Kablo, Ana Kesici-Toprak	10	258003-00
Gresörlük, Kepçe Silindiri	39	253303-00	Kablo, Çalışma Lambası	35	258002-00
Gresörlük, Kule Dönüş Dişlisi	41	254101-00	Kablo, Dişli Kutusu, Kule Dönüş Ü.	36	253016-00
Gresörlük, Kule Dönüş Ünitesi	53	253001-00	Kablo, Emniyet Anahtarı	4	256102-00
Gresörlük, Palet Kompleı	3_5	255401-00	Kablo, İkaz Lambası	36	258002-00
Gresörlük, Su Pompası, Motor	10078	252032-00	Kablo, Marş Motoru-Marş Rölesi	19	258003-00
Gresörlük, Uç Bom	1_8	255201-00	Kablo, Ön Kızdırma	20	258003-00
Gresörlük, Uç Bom Silindiri	53	253304-00	Kablo, Topraklama, Motor	12	258002-00
Gresörlük, Uç Bom Silindiri	54	253304-00	Kablo, Topraklama, Motor	14081	252037-00
Gresörlük, Yağlama Donanımı	1	255801-00	Kafa Kompleı, Yağ Filtresi	04121A	252018-00
Güneş Dişli 1, Kule DÜ Dişli Kutusu	10	253016-00	Kafa, Yakıt-Su Ayırıcı	05319	252021-00
Güneş Dişli 1, Yür. Ü. Dişli Kutusu	9	253102-00	Kaldırma Yayı, Sağ, Motor Kaputu	21	251106-00
Güneş Dişli 2, Kule DÜ Dişli Kutusu	4	253016-00	Kaldırma Yayı, Sağ, Motor Kaputu	22	251106-00
Güneş Dişli 2, Yür. Ü. Dişli Kutusu	10	253102-00	Kalorifer Musluğı	4_1	252702-00
Halka Dişli, Kule DÜ Dişli Kutusu	14	253016-00	Kalorifer Musluğı Kompleı	4	252702-00
Halka Dişli, Yür. Ü. Dişli Kutusu	17	253102-00	Kalorifer Peteğı	1	252702-00
Hararet Müşiri	10801	252033-00	Kam Mili	03100	252014-00
Hava Filtresi	5	252201-00	Kam Mili Kompleı	03000A	252006-00
Hava Nozulu, Kabin	5	256104-00	Kam Mili, Yakıt Enjeksiyon Pompası	07109	252024-00
Hava Soğutucu, Radyatör	11700	252402-00	Kam, Zamanlayıcı	07353	252027-00
Hava Üfleci, Kabin	4	256104-00	Kam, Zamanlayıcı	07353B	252027-00
Hava Üfleci, Kabin	39	256104-00	Kama Kolu, Emniyet Kilidi Montajı	1_3_7	256102-00
Havalandırma Kapağı, Hidrolik Tank	22	253401-00	Kama Yatak Polyamidi	24	256104-00
Hidrolik Depo K.M.	1	253401-00	Kama, Emniyet Kilidi Montajı	1_3_4	256102-00
Hidrolik Pompa	21	253003-00	Kama, Step Motor	22_8	258002-00
Hidrolik Pompa		253012-00	Kanca Pimi	25	256104-00
Hidrolik Yağ Seviye Göstergesi	5	253401-00	Kapak KM, Depolar	66	251105-00
Hoparlör, Clarion	24_2	258001-00	Kapak KM, Depolar	66	251105-00
Isıtıcı Kumanda Mekanizması	4_2	252702-00	Kapak Komp., Soğutucu, Motor	04311A	252019-00
İç Çekme Kolu, Kapı	8	256004-00	Kapak Komp., Yağ	04903A	252008-00
İç Hava Filtresi Montajı, Klima	120	252701-00	Kapak Mekanizması, Klima Kapağı	6_9	256103-00
İç Hava Filtresi Montajı, Klima	120	252702-00	Kapak Sacı KM, AKV	58_1	251103-00

PARA ADI İNDEKSİ

Para Adı	No	Sayfa	Para Adı	No	Sayfa
Kapak Sacı Montajı, AKV	58	251103-00	Kapama Sacı, Takım Kutusu	30_10	251104-00
Kapak Sacı Saę, Arka Aęırlık	14_2	251201-00	Kapı İ Kilidi	12	256004-00
Kapak Sacı Sol, Arka Aęırlık	14_6	251201-00	Kapı KM, Filtre	31_1	251104-00
Kapak, Akü Sandığı	13_1_2	251202-00	Kapı KM, Pompa	25_1	251102-00
Kapak, Buton Paneli Sacı	35	258001-00	Kapı KM, Radyatör	16_1	251101-00
Kapak, Dönüş Filtresi	6	253401-00	Kapı Montajı, Filtre	31	251104-00
Kapak, Hava Filtresi	5_3	252201-00	Kapı Montajı, Pompa	25	251102-00
Kapak, Hava, Saę, Kabin	26	256103-00	Kapı Montajı, Radyatör	16	251101-00
Kapak, Hava, Sol, Kabin	27	256103-00	Kapı, K.M., Kabin	1	256004-00
Kapak, Hoparlör	25	258001-00	Kaput Kilidi	5	251106-00
Kapak, K.M., Klima Kutusu	116	252701-00	Kaput KM, Motor	1_1	251106-00
Kapak, K.M., Klima Kutusu	116	252702-00	Kaput Menteşesi	1_12	251106-00
Kapak, K.M., Orta, Klima Kutusu	130	252701-00	Kaputu Montajı, Motor	1	251106-00
Kapak, K.M., Orta, Klima Kutusu	130	252702-00	Karter	01500	252011-00
Kapak, K.M., Saę, Klima Kutusu	133	252701-00	Kartuş, Turboşarj	12520	252036-00
Kapak, K.M., Saę, Klima Kutusu	133	252702-00	Kasnak ve Fan Kiti, Alternatör	14292	252038-00
Kapak, K.M., Sol, Klima Kutusu	136	252701-00	Kasnak, Krank Mili	03047	252013-00
Kapak, K.M., Sol, Klima Kutusu	136	252702-00	Kasnak, Su Pompası	10041	252032-00
Kapak, Karter	01508	252011-00	Kavrama	1	252101-00
Kapak, Klima Kapaęı Cebi	6_2	256103-00	Kavrama, Marş Motoru	14025	252037-00
Kapak, Klima, Alt	31	256103-00	Kavrama, Tahrik Ünitesi	07019B	252023-00
Kapak, Klima, Üst	6	256103-00	Kavrama, Yakıt Enjeksiyon Pompası	07020A	252023-00
Kapak, KM, Yakıt Deposu	28	252501-00	Kavrama, Yürüyüş Motoru	36	253103-00
Kapak, Koltuk Desteęi	32	256103-00	Kaydırma Pistonu Seti, Yürüyüş Mot	•	253103-00
Kapak, Konsol, Saę	1_2	256101-00	Kaydırma Pistonu, Yürüyüş Mot.	47	253103-00
Kapak, Kule Dişlisi Gresli	58	251201-00	Kayış	10040	252032-00
Kapak, Kule Dişlisi Gresli	26	254101-00	Kelepe Bandı, Arm Silindiri	32	253304-00
Kapak, Külbütör	01100	252008-00	Kelepe Bandı, Arm Silindiri	40	253304-00
Kapak, Radyatör	10210	252402-00	Kelepe Bandı, Bom Silindiri	26	253302-00
Kapak, Regülatör	07217	252025-00	Kelepe Bandı, U Bom Silindiri	32	253304-00
Kapak, Regülatör	07217A	252025-00	Kelepe KM, Tesisat, Arm Silindiri	31	253304-00
Kapak, Regülatör	07217B	252025-00	Kelepe KM, Tesisat, Arm Silindiri	39	253304-00
Kapak, Regülatör	07217C	252026-00	Kelepe KM, Tesisat, Bom Silindiri	25	253302-00
Kapak, Saę, Kabin	29	256103-00	Kelepe KM, Tesisat, Kelepe Silindiri	25	253303-00
Kapak, Silindir Blok	01307	252010-00	Kelepe Sacı, K.M., Kırıcı Tesisatı	26	250101-00
Kapak, Silindir Blok	01395BB	252010-00	Kelepe Sacı, K.M., Kırıcı Tesisatı	57	250101-00
Kapak, Silindir Blok	01395H	252010-00	Kelepe Sacı, Vana, Kırıcı Tesisatı	54	250101-00
Kapak, Silindir Blok	01395J	252010-00	Kelepe, Ataman Tesisatı	13	253301-00
Kapak, Silindir Blok	01395K	252010-00	Kelepe, Ataman Tesisatı	17	253301-00
Kapak, Silindir Blok	01395M	252010-00	Kelepe, Ataman Tesisatı	24	253301-00
Kapak, Silindir Blok	01395N	252010-00	Kelepe, Ayna Kolu	43	256003-00
Kapak, Silindir Blok	01395NB	252010-00	Kelepe, Egzoz	35	252301-00
Kapak, Silindir Blok	01307D	252016-00	Kelepe, Egzoz Borusu	2	252301-00
Kapak, Silindir Kafası	01296C	252009-00	Kelepe, Hava Filtresi	6	252201-00
Kapak, Silindir Kafası	01296E	252009-00	Kelepe, Hava Filtresi	7	252201-00
Kapak, Sol, Kabin	28	256103-00	Kelepe, Hava Filtresi	8	252201-00
Kapak, Su Pompası	10013	252032-00	Kelepe, Isıtıcı	2	252702-00
Kapak, Termostat	10106	252033-00	Kelepe, Isıtıcı	5	252702-00
Kapak, Turboşarj	21	252301-00	Kelepe, Isıtıcı	8	252702-00
Kapak, Turboşarj Kompresörü	12521	252036-00	Kelepe, Isıtıcı	15	252702-00
Kapak, Yaę Pompası	04007	252017-00	Kelepe, Isıtıcı	18	252702-00
Kapak, Yakıt Enjeksiyon Pompası	07113B	252024-00	Kelepe, Kırıcı Tesisatı	22	250101-00
Kapak, Yakıt Enjeksiyon Pompası	07113C	252024-00	Kelepe, Kırıcı Tesisatı	29	250101-00
Kapak, Zamanlayıcı	07017	252027-00	Kelepe, Klima	63	252701-00
Kapak, Konsol, Sol	1_2	256102-00	Kelepe, Koltuk Desteęi Kapaęı	17	256103-00
Kapama Sacı, Filtre	30_6	251104-00	Kelepe, Konsol, Saę	3	256101-00

PARA ADI İNDEKSİ

Para Adı	No	Sayfa	Para Adı	No	Sayfa
Kelepe, Konsol, Sol	3	256102-00	Klima/Isıtıcı Kontrol Sacı	102	252702-00
Kelepe, Kule Dönüş Dişlisi	47	254101-00	Kolak Kompleksi, Operator Koltuęu	10	256105-00
Kelepe, Ön Konsol-Klima	14	256103-00	Kollektör, Ön Filtre	1_1	252201-00
Kelepe, Radyatör	31	252401-00	Koltuk Başıęı, KİT	20	256105-00
Kelepe, Radyatör	39	252401-00	Koltuk Dest. K.M., Üst	1_2	256103-00
Kelepe, Radyatör	42	252401-00	Koltuk Desteęi K.M., Alt	1_1	256103-00
Kelepe, Radyatör	43	252401-00	Koltuk Desteęi Kompleksi	1	256103-00
Kelepe, Susturucu	16	252301-00	Koltuk İskeleti Kompleksi	2	256105-00
Kelepe, Turboşarj	12799B	252036-00	Koltuk Kompleksi	18	256103-00
Kelepe, Turboşarj	12799C	252036-00	Koltuk Kompleksi		256105-00
Kelepe, Yakıt Deposu	17	252501-00	Kompresör	13	252701-00
Kelepe, Yakıt Deposu	22	252501-00	Kondensör	1	252701-00
Kelepe, Yakıt Deposu	24	252501-00	Konsol Montajı, Sağ	1	256101-00
Kelepe, Yakıt Deposu	35	252501-00	Konsol Montajı, Sol	1	256102-00
Kelepe, Yakıt Deposu	38	252501-00	Konsol, Ön	40	256104-00
Kelepe, Yakıt Deposu	40	252501-00	Kontakt Anahtarı	3	258001-00
Kepe Silindiri	4	253301-00	Kontrol Ünitesi	17	258001-00
Kepe Silindiri	4	253301-00	Kontrol Ünitesi	17	258001-00
Kırıcı Mont., TNB 230		250103-00	Konvertör	15	258001-00
Kırıcı Mont.,DMB S3000V		250103-00	Korkuluk KM	10	251202-00
Kırıcı Pedalı	70	250102-00	Korna, Alak	18	258002-00
Kırıcı Tesisatı Montajı		250101-00	Korna, Yüksek	17	258002-00
Kırıcı, DMB S3000V	2	250103-00	Koruyucu Kafes	1	250504-00
Kırıcı, TNB 230	101	250103-00	Koruyucu Kafes Montajı		250504-00
Kızdırma Bujisi	14650	252037-00	Kulak, Motor	02200B	252016-00
Kilit Karşılıęı Bağlantı Sacı	63	256004-00	Kulak, Motor	02200C	252016-00
Kilit Karşılıęı Komp.	43	256004-00	Kule Dönüş Dişlisi Kompleksi	22	254101-00
Kilit Kompleksi, Filtre Kapısı	31_3	251104-00	Kule Dönüş Ünitesi	39	253001-00
Kilit Kompleksi, Pompa Kapısı	25_7	251102-00	Kumanda Mekanizması, Heater	4_2	252702-00
Kilit Kompleksi, Radyatör Kapısı	16_7	251101-00	Kumanda Paneli	1	258001-00
Kilit Pimi, 1300 mm, Kepe	1_4	255301-00	Kurutucu	38	252701-00
Kilit Pimi, 1500 mm, Kepe	1_4	255301-00	Külbütör Levyesi	03323	252014-00
Kilit Pimi, 750 mm, Kepe	1_4	255301-00	Küllük	42	256104-00
Kilit Pimi, Kepe	1_16	255301-00	Küresel Vana	43	253001-00
Kilit Sacı, Filtre Kapısı	15	251104-00	Küresel Vana	7_1	252702-00
Kilit Sacı, Pompa Kapısı	15	251102-00	Lamba, İkaz	29	258002-00
Kilit Sacı, Radyatör Kapısı	15	251101-00	Lamba, İkaz	30	258002-00
Kilit, Akü Sandıęı	13_12	251202-00	Lamba, Kabin İi Aydınlatma	20	258001-00
Kilit, Dişi, Klima Kapaęı	6_5	256103-00	Lamba, Kabin İi Aydınlatma	20	258001-00
Kilit, Erkek, Klima Kapaęı	6_6	256103-00	Levye Kolu, Komple, Yürüyüş	1	256104-00
Kilit, İ, Kapı	12	256004-00	Levye, Emniyet Kilidi	1_3_1	256102-00
Kilitleme Somunu, Arm Silindiri	22	253304-00	Manometre Prizi	5	253203-00
Kilitleme Somunu, Bom Silindiri	22	253302-00	Manometre Prizi	44	253204-00
Kilitleme Somunu, Kepe Silindiri	22	253303-00	Manometre Prizi, Kırıcı Tesisatı	84	250101-00
Klavuz, Egzos Subabı	03470	252009-00	Marş Motoru	14000A	252037-00
Klavuz, Emme Subabı	03460	252009-00	Mazot Transfer Pompası	15	258003-00
Klavuz, Yaę Seviye Çubuęu	04912	252011-00	Mekanizma Teli, Isıtıcı Mekanizması	4_3	252702-00
Klima Elektrik Tesisatı	41	258001-00	Menfez	38	256104-00
Klima Fan Sivici	101	252701-00	Menteşe, Filtre Kapısı	31_2	251104-00
Klima Fan Sivici	101	252702-00	Menteşe, Kabin Kapısı	15	256004-00
Klima Kapaęı Gövdesi	6_1	256103-00	Menteşe, Klima Kapaęı	6_7	256103-00
Klima Kapaęı Gövdesi, Alt	31	256103-00	Menteşe, Pompa Kapısı	25_3	251102-00
Klima Kapaęı Gövdesi., Üst	6	256103-00	Menteşe, Radyatör Kapısı	16_3	251101-00
Klima Kutusu Gövdesi, K.M.	107	252701-00	Menteşe, Tavan Kapaęı	28	256003-00
Klima Kutusu Gövdesi, K.M.	107	252702-00	Mesafe Ayar Burcu	1_10	255301-00
Klima/Isıtıcı Kontrol Sacı	102	252701-00	Mil, Ön Filtre	1_2	252201-00

PARA ADI İNDEKSİ

Para Adı	No	Sayfa	Para Adı	No	Sayfa
Motor Baęlantı Kulaęı KM, Saę, Ön	2	252001-00	Pilot Hattı Filtresi	29	253204-00
Motor Baęlantı Kulaęı KM, Sol, Ön	3	252001-00	Pilot Pompa	04	253012-00
Motor Baęlantı Kulaęı, Arka	4	252001-00	Pilot Pompa		253013-00
Motor Elektrik Tesisatı	1	258005-00	Pilot Valf	67	253103-00
Motor Kaputu KM	1_1	251106-00	Pim, Menteşe, Kabin Kapısı	17	256004-00
Motor Kaputu Mont.	1	251106-00	Pimi, Menteşe, Tava Kapaęı	29	256003-00
Motor Komitesi, Swing Unit	39_2	253001-00	Pinyon	28	253016-00
Motor Komitesi, Swing Unit		253017-00	Polen Filtre	120_2	252701-00
Motor Komitesi, Yürüyüş Ünitesi		253103-00	Polen Filtre	120_2	252702-00
Motor ve Braket Komitesi, Silecek	50_1	256003-00	Polen Filtre Montajı	45	256004-00
Motor, 6D16	1	252001-00	Polyamid Pul	50	256103-00
Musluk, Radyatör Suyu Boşaltma	10227	252402-00	Pompa Gövdesi, Yakıt Enjeksiyon	07009A	252023-00
Musluk, Su Boşaltma, Motor	01306	252016-00	Radyatör Alt Komitesi	10257A	252402-00
Müşir, Basın, AKV, PA	520	253202-00	Radyatör Destek Sacı, Arka	7	252401-00
Müşir, Basın, AKV, PT	25	253205-00	Radyatör Destek Sacı, Ön	6	252401-00
Müşir, Filtre ByPass	04101	252018-00	Radyatör Komitesi	1	252401-00
Müşir, Fren Lamba	65	253203-00	Radyatör Montaj Elemanı	10435	252402-00
Müşir, Hararet	10801	252033-00	Radyatör Takozu	5	256003-00
Müşir, Hararet	11	258002-00	Radyatör Üst Sacı KM	17	252401-00
Müşir, Klima	50	252701-00	Ray Komitesi	1_3	256103-00
On-On Mandallı Svi	5	258001-00	Reflektör, Saę	33	257001-00
Oransal Basın Kontrol Valfi		253014-00	Reflektör, Saę	33	257002-00
Oransal Basın Kontrol Valfi	079	253012-00	Reflektör, Sol	32	257001-00
Oransal Valf ve Regülatör Tamir Seti	N2	253012-00	Reflektör, Sol	32	257002-00
Oto Teyp, Clarion	24_1	258001-00	Regülatör	14297	252038-00
Oto Teyp, Komitesi	24	258001-00	Regülatör Komitesi	07040A	252026-00
Oturak Kılıfı Komitesi, KİT	7	256105-00	Regülatör Komitesi, Yakıt Enj. Pom.	07040A	252025-00
Oturak Süngerı KİTİ	8	256105-00	Regülatör, Pompa		253015-00
Ön alıřma Lambası Montajı		250503-00	Regülatör, Pompa	07040A	252023-00
Ön ereve Mekanizması, Saę	12	256003-00	Rektifiye, Alternatör	14296B	252038-00
Ön ereve Mekanizması, Sol	13	256003-00	Rezervuar Tank	30	252401-00
Ön ereve Rayı, Saę	7	256003-00	Rezervuar Tutucu KM	33	252401-00
Ön ereve Rayı, Sol	6	256003-00	Riper	1	250301-00
Ön ereve Stoperi, Saę	39	256003-00	Rod, Alternatör Ayar	14282	252038-00
Ön ereve Stoperi, Sol	40	256003-00	Rotor Kiti, Alternatör	14304	252038-00
Ön ereve Tekerı, Alt	19	256003-00	Röle	13	258001-00
Ön ereve Tekerı, Üst	18	256003-00	Röle Soketi	11	258001-00
Ön Filtre	1	252201-00	Röle, Dönüş Flaşörü	47	258001-00
Ön Konsol	40	256104-00	Röle, Marř	23	258003-00
Pabu	14	254201-00	Röle, Ön Kızdırma	24	258003-00
Palet Baklası Master, Saę	3	254201-00	Sabitleme Bilezięi, Bom Montajı	23	255101-00
Palet Baklası Master, Sol	4	254201-00	Sabitleme Pulu , 1300 mm, Kepe	1_3	255301-00
Palet Baklası, Saę	1	254201-00	Sabitleme Pulu , 1500 mm, Kepe	1_3	255301-00
Palet Baklası, Sol	2	254201-00	Sabitleme Pulu ,750 mm, Kepe	1_3	255301-00
Palet K.M.	3_1	255401-00	Sabitleyici, Akü Sandıęı	13_1_4	251202-00
Palet Komitesi	40	254101-00	Sabitleyici, Filtre Kapısı	21	251104-00
Palet Montajı		254201-00	Sabitleyici, Pompa Kapısı	21	251102-00
Palet Montajı	3	255401-00	Sabitleyici, Radyatör Kapısı	21	251101-00
Palet Muhafazası	5	254101-00	Sac, Orta, Arka Aęırlık	14_7	251201-00
Paspas	5	256103-00	Selenoid, 3'lü Öncelik Selenoid Valfi	2	253208-00
Pedal	37	253207-00	Selenoid, 3'lü Selenoid Valf	2	253209-00
Pedal Montajı	19	253202-00	Selenoid, Oransal Basın Kont. Valfi	801	253014-00
Pedal Montajı		253207-00	Sensör, Hız	02125	252012-00
Pervane	10025	252032-00	Sensör, Yakıt	15	258002-00
Pilot Daęıtıcı	14_1	253202-00	Servis Fiři	34	258002-00
Pilot Daęıtıcı Montajı	14	253202-00	Servis Prizi	23	258002-00

PARA ADI İNDEKSİ

Para Adı	No	Sayfa	Para Adı	No	Sayfa
Sırtlık Kılıfı Komp. KİT, Koltuk	5	256105-00	Sürgü Tahtidi	22	253008-00
Sırtlık Süngeri KİTİ, Koltuk	6	256105-00	Sürtünme Plakası	31	253103-00
Sigorta	6	258001-00	Sürtünme ve Ayırma Plakası Kiti	•	253103-00
Sigorta	7	258001-00	Süspansiyon Kapağı	17	256105-00
Sigorta	8	258001-00	Süspansiyon Komitesi	21	256105-00
Sigorta	9	258001-00	Süzgeç, Yakıt	15	252501-00
Sigorta	10	258001-00	Süzgeç, Yakıt	36	252501-00
Sigorta Tablası Kapağı	6_3	256103-00	Sviç, Mazot Pompası	15_1	258003-00
Sigorta Yuvası	1_2	258005-00	Sviç, Yağ Basınç, Motor	04226	252016-00
Sigorta, Büyük Boy	1_1	258005-00	Taban Sacı K.M., Kabin	10	256001-00
Sigorta, Ön Kızdırma	22	258003-00	Tamir Takımı	•	253304-00
Silecek Kolu	50_2	256003-00	Tamir Takımı, Arm Silindiri	•	253304-00
Silecek Motoru Sviç	22	258001-00	Tamir Takımı, Bom Silindiri	•	253302-00
Silecek Sistemi, Ön Cam	50	256003-00	Tamir Takımı, Döner Dağıtıcı	•	253104-00
Silecek Süpürgesi	50_3	256003-00	Tamir Takımı, Joistik	•	253206-00
Silindir Bloğu Komitesi	01300A	252004-00	Tamir Takımı, Kepe Silindiri	•	253303-00
Silindir Blok Contası	01399B	252016-00	Tamir Takımı, Marş Motoru	14068	252037-00
Sönümleyici, Kabin	9	256001-00	Tamir Takımı, Mazot Transfer Pom.	15_2	258003-00
Step Motor	22_1	258002-00	Tamir Takımı, Motor	01070	252007-00
Step Motor Komitesi	22	258002-00	Tamir Takımı, Motor, Kule Dönüş Ü.	•	253017-00
Stop Selenoidi	28	258002-00	Tamir Takımı, Motor, Yürüyüş Ü.	•	253103-00
Stop Solenoidi Modülü	2	258006-00	Tamir Takımı, Pedal	•	253207-00
Stop Solenoidi Rölesi	43	258001-00	Tamir Takımı, Pompa	•	253012-00
Su Ayırıcı Elemanı	05371	252021-00	Tamir Takımı, Pompa Regülatörü	•	253015-00
Su Ayırıcı Komitesi	05360A	252021-00	Tamir Takımı, Pompa Regülatörü	N1	253012-00
Su Ayırıcı Muhafazası	05305	252021-00	Tampon KİTİ, Operatör Koltuğu	15	256105-00
Su Pompası KİTİ	10010	252032-00	Tepe Lambası	4	250501-00
Su Pompası Komitesi	10000A	252032-00	Tepe Lambası Montajı		250501-00
Su, Yağ, Hava Soğutucu Komitesi	10280A	252402-00	Termostat Kiti	10110	252033-00
Supap Ayar Cıvatası	03266B	252014-00	Termostat, Klima	58	252701-00
Supap Ayar Cıvatası	03266C	252014-00	Teyp, Clarion	24_1	258001-00
Supap Ayar Somunu	03299	252014-00	Teyp, Komitesi	24	258001-00
Supap İtici	03172	252014-00	Tıkanıklık Sensörü	5_5	252201-00
Supap Kepi	03275	252014-00	Tırnak, 1300 mm, Kepe	1_2	255301-00
Supap Lastiğı	03440	252014-00	Tırnak, 1500 mm, Kepe	1_2	255301-00
Supap Yay Tabla Kilidi	03450	252014-00	Tırnak, 750 mm, Kepe	1_2	255301-00
Supap Yay Tablası	03405	252014-00	Toz Atıcı	5_7	252201-00
Supap Yay, Dış	03417	252014-00	Turboşarj Komitesi	12500A	252036-00
Supap Yay, İç	03416	252014-00	Uç Bom K.M.	1_1A	255201-00
Supap, Enj. Pompası	07155B	252024-00	Uç Bom K.M.	1_1B	255201-00
Supap, Enj. Pompası	07155C	252024-00	Uç Bom Montajı	1A	255201-00
Susturucu Bağlantısı K.M.	13	252301-00	Uç Bom Montajı	1B	255201-00
Susturucu Komitesi	6	252301-00	Uç Bom Silindiri	3	253301-00
Sünger Takoz	27_5	258002-00	Üst Kapak KM, Akü Sandığı	21	251202-00
Sürgü	19	253008-00	Üst Kapak, AKV	43	251103-00
Sürgü Komp.	27	253008-00	Üst Kapak, Filtre	33	251104-00
Sürgü Komp., Arm1	14	253006-00	Üst Kapak, Pompa	26	251102-00
Sürgü Komp., Arm2	2	253007-00	Üst Kapak, Radyatör	17	251101-00
Sürgü Komp., Bom1	3	253007-00	Üst Komple, KİT	1	256105-00
Sürgü Komp., Bom2	15	253006-00	Üst Şasi KM	1	251201-00
Sürgü Komp., D.Yürü.	6	253007-00	Valf Gövdesi, AKV	13	253006-00
Sürgü Komp., Kepe	4	253007-00	Valf Gövdesi, AKV	1	253007-00
Sürgü Komp., Kule	16	253006-00	Valf Komitesi, Gerdirme Mekaniz.	15	254105-00
Sürgü Komp., OP	17	253006-00	Valf, Basınç Regülatörü	04232	252020-00
Sürgü Komp., Yürü.	5	253006-00	Valf, Yakıt Besleme Pompası	07326	252028-00
Sürgü Komp., Yürü.	5	253007-00	Vana Montajı	7	252702-00

PARA ADI İNDEKSİ

Para Adı	No	Sayfa	Para Adı	No	Sayfa
Veya Valfi	6	253203-00			
V-Kayıř	37	252701-00			
Volan Diřlisi	03057	252012-00			
Volan Komplesi	03030A	252012-00			
Yaę Basın Svici	04226	252016-00			
Yaę Dönüř Levhası	01526	252017-00			
Yaę Filtresi	04150	252018-00			
Yaę Filtresi ve Kafa Komplesi	04100A	252018-00			
Yaę Pompası Komplesi, Motor	04000A	252017-00			
Yaę Seviye Çubuęu, Motor	04911	252011-00			
Yaę Soęutucu	10255	252402-00			
Yaę Soęutucu Elemanı	04322	252019-00			
Yaę Soęutucu Komplesi	04300A	252019-00			
Yaę Süzgeci, Karter	04124	252017-00			
Yakıt - Su Ayırıcı Elemanı	05371	252021-00			
Yakıt - Su Ayırıcı Komplesi	05360A	252021-00			
Yakıt - Su Ayırıcı Muhafazası	05305	252021-00			
Yakıt Bořaltma Vanası	8	252501-00			
Yakıt Bořaltma Vanası	34	252501-00			
Yakıt Deposu K.M.	1	252501-00			
Yakıt Deposu Kapaęı	25	252501-00			
Yakıt Enjeksiyon Pompası	07010A	252028-00			
Yakıt Filtresi	05300	252022-00			
Yakıt Filtresi Kafası	05314	252022-00			
Yakıt Filtresi Komplesi	05300A	252022-00			
Yakıt Ön Filtresi	18	252501-00			
Yakıt Seviye Göstergesi	27	252501-00			
Yakıt Süzgeci	26	252501-00			
Yan Bıak, Saę	1_5	255301-00			
Yan Bıak, Sol	1_6	255301-00			
Yan Dikiz Aynası	45	256003-00			
Yük Tutma Valfi Komp.	67	253008-00			
Yük Tutma Valfi Komp.	67	253009-00			
Yükseklik Ayar Mekanizması KİTİ	9	256105-00			
Yükseklik Ayar Mekanizması Yay KİTİ	11	256105-00			
Yürüme Sacı, Akü Sandıęı	20	251203-00			
Yürüme Sacı, AKV Kapaęı	17	251203-00			
Yürüme Sacı, Filtre	18	251203-00			
Yürüme Sacı, Filtre	19	251203-00			
Yürüme Sacı, Hidrolik Depo	16	251203-00			
Yürüme Sacı, Yakıt Deposu	15	251203-00			
Yürüyüş Levyesi	1	256104-00			
Yürüyüş Makarası Komplesi		254103-00			
Yürüyüş Makarası Komplesi	31	254101-00			
Yürüyüş Ünitesi	4	253101-00			
Zaman Geciktirici Valf	39	253017-00			
Zamanlayıcı Komplesi	07030A	252027-00			
Zamanlayıcı Komplesi, Enjek. Pom.	07030A	252023-00			

PART DESCRIPTION INDEX

Part Description	No	Page	Part Description	No	Page
3-Solenoid Priority V/V	72	253203-00	Block, Accumulator	56	253204-00
3-Solenoid Priority V/V		253208-00	Block, Pedal	32	253207-00
3-Solenoid Valve	12	253204-00	Block, Pilot	19	253203-00
3-Solenoid Valve		253209-00	Block, Swing Ring Ass'y	42	254101-00
A.S. Walkway, Fuel Tank	15	251203-00	Block, Valve, Pump	312	253012-00
Accumulator	52	253204-00	Blok Ass'y, Cylinder	01300A	252004-00
Adjuster Ass'y	18	254101-00	Body Ass'y, Injection Pump	07009A	252023-00
Adjuster Ass'y		254105-00	Bolt, Counter W.	11	251201-00
Air Breather, Hydraulic Tank	22	253401-00	Bolt, Counter W.	11	251201-00
Air Cleaning Ass'y	5	252201-00	Boom Ass'y	1	255101-00
Aircon Fan Switch	101	252701-00	Boom Ass'y	1	255101-00
Aircon Fan Switch	101	252702-00	Boom W.A.	1_1	255101-00
Aircon Heater Box	107	252701-00	Boom W.A.	1_1	255101-00
Aircon Heater Box	107	252702-00	Bracket WA, Engine, Left, Front	3	252001-00
Aircondition Harness	41	258001-00	Bracket WA, Engine, Right, Front	2	252001-00
Alternator Ass'y	14200A	252038-00	Bracket, Engine, Rear	4	252001-00
Antenna	24_3	258001-00	Bracket, Foot Rest, L	6	256104-00
Anti Drift Valve Ass'y	67	253008-00	Bracket, Foot Rest, R	8	256104-00
Anti Drift Valve Ass'y	67	253009-00	Bracket, Head Lamp	29	251201-00
Anti Slip Walkway, Battery Box	20	251203-00	Bracket, Mirror	42	256003-00
Anti Slip Walkway, Filter	18	251203-00	Bracket, Muffler	13	252301-00
Anti Slip Walkway, Filter	19	251203-00	Bracket, Pollen Filter	44	256004-00
Anti Slip Walkway, Hydraulic Tank	16	251203-00	Bracket, Sponge, Cover, MCV	58_2	251103-00
Anti Slip Walkway, MCV Cover	17	251203-00	Bracket, Sponge, Cover, MCV	58_3	251103-00
Arm Ass'y	1A	255201-00	Bracket, Sponge, Cover, MCV	58_4	251103-00
Arm Ass'y	1A	255201-00	Brake Piston, Travel Motor	32	253103-00
Arm Ass'y	1B	255201-00	Brake Spring, Travel Motor	56	253103-00
Arm Ass'y	1B	255201-00	Brake Valve, Travel Motor	68	253103-00
Arm W.A.	1_1A	255201-00	Breaker Mount., DMB S3000V		250103-00
Arm W.A.	1_1A	255201-00	Breaker Mount., TNB 230		250103-00
Arm W.A.	1_1B	255201-00	Breaker Piping Mounting		250101-00
Arm W.A.	1_1B	255201-00	Breaker, DMB S3000V	2	250103-00
Arm, Wiper	50_2	256003-00	Breaker, TNB 230	101	250103-00
Armature KIT, Starter	14001	252037-00	Brush, Starter	14020	252037-00
Armrest KIT, Operator Seat	10	256105-00	Built-In Lock	3	256004-00
Ashtray	42	256104-00	Bulb, Cab Interior	21	258001-00
Back Cover Ass'y KIT, Seat	5	256105-00	Bulb, Head Lamp	2	258002-00
Back Foam KIT, Seat	6	256105-00	Bulb, Warning Lamp	31	258002-00
Back Lock	20	256004-00	Bulb, Warning Lamp	32	258002-00
Band, Air Filter	6	252201-00	Bulb, Warning Lamp	33	258002-00
Band, Air Filter	7	252201-00	Bulb, Working Lamp	10	258002-00
Band, Air Filter	8	252201-00	Button, Aircondition	30	258001-00
Bar, Lock, Engine Hood	16	251106-00	Button, Beacon	6	250501-00
Bar, Lock, Filter Door	21	251104-00	Button, Front Work Lamp	6	250503-00
Bar, Lock, Pump Door	21	251102-00	Button, Low Beam	32	258001-00
Bar, Lock, Radiator Door	21	251101-00	Button, Rear Work Lamp	6	250502-00
Battery	1	258003-00	Button, Wiper	34	258001-00
Battery Box Mount.	13	251202-00	Button, Wiper Water	33	258001-00
Battery Box Sub. Mnt.	13_1	251202-00	Button, Working Lamp	31	258001-00
Battery Box WA	13_1_1	251202-00	Buzzer	14	258001-00
Beacon	4	250501-00	Bypass Valve Ass'y, Swing Motor	30	253017-00
Beacon Mounting		250501-00	By-Pass Valve, Oil Cooler, Engine	04353	252019-00
Bellows, Pedal	36	253207-00	Cab Ass'y		256002-00
Bellows, Remote Control Valve. R/L	31	253206-00	Cab Ass'y		256002-01
Belt, Alternator-Others	10040	252032-00	Cab Harness	1	258006-00
Blade, Wiper	50_3	256003-00	Cab, W.A.	1	256002-00

PART DESCRIPTION INDEX

Part Description	No	Page	Part Description	No	Page
Cab, W.A.	1	256002-01	Clamp, Heater	2	252702-00
Cable KIT, Operator Seat	22	256105-00	Clamp, Heater	5	252702-00
Cable, Battery(-)-Battery(+)	2	258003-00	Clamp, Heater	8	252702-00
Cable, Battery(-)-Master Switch	3	258003-00	Clamp, Heater	15	252702-00
Cable, Battery(+)-Starter Motor	4	258003-00	Clamp, Heater	18	252702-00
Cable, Engine Earth	12	258002-00	Clamp, Mirror Bracket	43	256003-00
Cable, Engine Earth	14081	252037-00	Clamp, Muffler	16	252301-00
Cable, Master Switch-Earth	10	258003-00	Clamp, Muffler Pipe	2	252301-00
Cable, Preheat	20	258003-00	Clamp, Radiator	31	252401-00
Cable, Starter-Starter Relay	19	258003-00	Clamp, Radiator	39	252401-00
Cam, Timer	07353	252027-00	Clamp, Radiator	42	252401-00
Cam, Timer	07353B	252027-00	Clamp, Radiator	43	252401-00
Camshaft	03100	252014-00	Clamp, Seat Support Cover-Aircon.	17	256103-00
Camshaft, Injection Pump Body	07109	252024-00	Clamp, Swing Ring	47	254101-00
Cap Ass'y, Oil Filler	04903A	252008-00	Clamp, Turbocharger	12799B	252036-00
Cap, Cylinder Head	01296C	252009-00	Clamp, Turbocharger	12799C	252036-00
Cap, Cylinder Head	01296E	252009-00	Clutch, Starter	14025	252037-00
Cap, Fuel Tank	25	252501-00	Cock Valve	7_1	252702-00
Cap, Radiator	10210	252402-00	Cock Valve Ass'y	8	252501-00
Cap, V/V Gear Train	03275	252014-00	Cock, Cylinder Block Water Drain	01306	252016-00
Car Stereo, Ass'y	24	258001-00	Cock, Radiator Water Drain	10227	252402-00
Car Stereo, Clarion	24_1	258001-00	Coil, 3 Solenoid Priority Valve	3	253208-00
Cartridge, Turbocharger	12520	252036-00	Coil, 3 Solenoid Valve	3	253209-00
Case, Water Seperator	05305	252021-00	Coil, Alternator Rotor	14241	252038-00
Case, Water Seperator	05305	252021-00	Collector, Pre Cleaner	1_1	252201-00
Catch, Battery Box	13_12	251202-00	Compressor	13	252701-00
Catch, Engine Hood	5	251106-00	Condenser	1	252701-00
CD Player	24_1	258001-00	Connecting Rod Ass'y	03010A	252013-00
Check V/V, Piston Lubrication	01305	252010-00	Console Box Ass'y,L/H	1	256102-00
Check Valve, Arm Cylinder	27	253304-00	Console Box Ass'y,R/H	1	256101-00
Check Valve, ByPass, Drain/Return	51	253601-00	Console, Front	40	256104-00
Check Valve, ByPass, Drain/Return	58	253601-00	Console, Up, L/H	1_2	256102-00
Check Valve, ByPass, Drain/Return	51	253601-01	Console, Up, R/H	1_2	256101-00
Check Valve, ByPass, Drain/Return	58	253601-01	Conter Weight WA	14_1	251201-00
Check Valve, Hydraulic Tank	11	253401-00	Convertor	15	258001-00
Check Valve, Pilot	36	253204-00	Counter Weight Ass'y	14	251201-00
Check Valve, Travel Motor	43	253103-00	Coupling	1	252101-00
Clamp Plate, Valve, Breaker Piping	54	250101-00	Coupling	5	253203-00
Clamp Plate, W.A. , Breaker Piping	26	250101-00	Coupling	44	253204-00
Clamp Plate, W.A. , Breaker Piping	57	250101-00	Coupling, Injection Pump	07020A	252023-00
Clamp, Aircondition	63	252701-00	Coupling, P. Drive Case	07019B	252023-00
Clamp, Attachment Piping	13	253301-00	Coupling, Screw, Breaker Piping	84	250101-00
Clamp, Attachment Piping	17	253301-00	Coupling, Travel Motor	36	253103-00
Clamp, Attachment Piping	24	253301-00	Cover	5	256003-00
Clamp, Breaker Piping Mounting	22	250101-00	Cover Ass'y, Cooler, Engine	04311A	252019-00
Clamp, Breaker Piping Mounting	29	250101-00	Cover Ass'y, MCV	58	251103-00
Clamp, Console, L/H	3	256102-00	Cover WA, MCV	58_1	251103-00
Clamp, Console, R/H	3	256101-00	Cover WA, Tank	66	251105-00
Clamp, Exhaust	35	252301-00	Cover WA, Tank	66	251105-00
Clamp, Front Console-Aircondition	14	256103-00	Cover, Air Cleaner	8	251201-00
Clamp, Fuel Tank	17	252501-00	Cover, Air Cleaner	5_3	252201-00
Clamp, Fuel Tank	22	252501-00	Cover, Air, L/H, Cab	27	256103-00
Clamp, Fuel Tank	24	252501-00	Cover, Air, R/H, Cab	26	256103-00
Clamp, Fuel Tank	35	252501-00	Cover, Battery Box	13_1_2	251202-00
Clamp, Fuel Tank	38	252501-00	Cover, Bottom, Lower Frame	9	254101-00
Clamp, Fuel Tank	40	252501-00	Cover, Cab, FR	5	251201-00

PART DESCRIPTION INDEX

Part Description	No	Page	Part Description	No	Page
Cover, Cab, Middle	6	251201-00	Cover, W.A., Aircon.-Heater Box	116	252702-00
Cover, Cab, RR	7	251201-00	Cover, W.A., L/H, Aircon.-Heat. Box	136	252701-00
Cover, Cylinder Block	01307	252010-00	Cover, W.A., L/H, Aircon.-Heat. Box	136	252702-00
Cover, Cylinder Block	01395BB	252010-00	Cover, W.A., Mid., Aircon.-Heat. Box	130	252701-00
Cover, Cylinder Block	01395H	252010-00	Cover, W.A., Mid., Aircon.-Heat. Box	130	252702-00
Cover, Cylinder Block	01395J	252010-00	Cover, W.A., R/H, Aircon.-Heat. Box	133	252701-00
Cover, Cylinder Block	01395K	252010-00	Cover, W.A., R/H, Aircon.-Heat. Box	133	252702-00
Cover, Cylinder Block	01395M	252010-00	Cover, WA, Fuel Tank	28	252501-00
Cover, Cylinder Block	01395N	252010-00	Cover, Water Pump	10013	252032-00
Cover, Cylinder Block	01395NB	252010-00	Crankshaft Ass'y	03000A	252006-00
Cover, Cylinder Block	01307D	252016-00	Cutter, Slide, L/H	1_6	255301-00
Cover, Engine	9	251201-00	Cutter, Slide, R/H	1_5	255301-00
Cover, Engine Oil Pan	01508	252011-00	Cylinder, Arm	3	253301-00
Cover, Engine Oil Pump	04007	252017-00	Cylinder, Arm	3	253301-00
Cover, Filter	30_6	251104-00	Cylinder, Bucket	4	253301-00
Cover, Filter	33	251104-00	Cylinder, Bucket	4	253301-00
Cover, Fuel Tank	2	251201-00	Cylinder, LH, Boom	2	253301-00
Cover, Fuse Plate	6_3	256103-00	Cylinder, LH, Boom	2	253301-00
Cover, Governor	07217	252025-00	Cylinder, RH, Boom	1	253301-00
Cover, Governor	07217A	252025-00	Cylinder, RH, Boom	1	253301-00
Cover, Governor	07217B	252025-00	Damper KIT, Operator Seat	14	256105-00
Cover, Governor	07217C	252026-00	Damping Sheet, Cab	9	256001-00
Cover, Heater Cover Pocket	6_2	256103-00	Decal, Air Bleeding	20	257001-00
Cover, Heater, Lower	31	256103-00	Decal, Air Bleeding	20	257002-00
Cover, Heater, Upper	6	256103-00	Decal, Air Filter	25	257001-00
Cover, Hyd. Tank	3	251201-00	Decal, Air Filter	25	257002-00
Cover, Injection Pump Body	07113B	252024-00	Decal, Aircondition	104	252701-00
Cover, Injection Pump Body	07113C	252024-00	Decal, Aircondition	104	252702-00
Cover, Injection Pump Timer	07017	252027-00	Decal, Attachment	1_17	255301-00
Cover, Inside Lock	13	256004-00	Decal, Attachment	41	257001-00
Cover, L/H, Cab	28	256103-00	Decal, Attachment	41	257002-00
Cover, Left, Counter Weight	14_6	251201-00	Decal, Auto-Manuel	31	257001-00
Cover, MCV	61	251201-00	Decal, Auto-Manuel	31	257002-00
Cover, MCV	43	251103-00	Decal, Battery Box	38	257001-00
Cover, Middle, Counter Weight	14_7	251201-00	Decal, Battery Box	38	257002-00
Cover, Pump	4	251201-00	Decal, Battery Warning	13	257001-00
Cover, Pump	26	251102-00	Decal, Battery Warning	13	257002-00
Cover, R/H, Cab	29	256103-00	Decal, Before Operating	15	257001-00
Cover, Radiator	17	252401-00	Decal, Before Operating	15	257002-00
Cover, Radiator	17	251101-00	Decal, Cab	35	257001-00
Cover, Return Filter	6	253401-00	Decal, Cab	35	257002-00
Cover, Right, Counter Weight	14_2	251201-00	Decal, Cab Door	37	257001-00
Cover, Rocker	01100	252008-00	Decal, Cab Door	37	257002-00
Cover, Seat Support	32	256103-00	Decal, Electric Warn.	45	257001-00
Cover, Speaker	25	258001-00	Decal, Electric Warn.	45	257002-00
Cover, Suction	13	253401-00	Decal, Emergency Exit	2	257001-00
Cover, Suction	7	252501-00	Decal, Emergency Exit	2	257002-00
Cover, Swing Ring Grease	58	251201-00	Decal, Fuel	7	257001-00
Cover, Swing Ring Grease	26	254101-00	Decal, Fuel	7	257002-00
Cover, Switch Panel Plate	35	258001-00	Decal, Fuse	30	257001-00
Cover, Thermostat	10106	252033-00	Decal, Fuse	30	257002-00
Cover, Tool Box	30_10	251104-00	Decal, Hyd. Tank	34	257001-00
Cover, Turbocharger	21	252301-00	Decal, Hyd. Tank	34	257002-00
Cover, Turbocharger Compressor	12521	252036-00	Decal, Hydraulic Oil	10	257001-00
Cover, Upper, Battery Box	21	251202-00	Decal, Hydraulic Oil	10	257002-00
Cover, W.A., Aircon.-Heater Box	116	252701-00	Decal, Hydraulic Oil Level	29	257001-00

PART DESCRIPTION INDEX

Part Description	No	Page	Part Description	No	Page
Decal, Hydraulic Oil Level	29	257002-00	Door Ass'y, Radiator	16	251101-00
Decal, Inspection	22	257001-00	Door Handle, Inside	8	256004-00
Decal, Inspection	22	257002-00	Door WA, Filter	31_1	251104-00
Decal, Keep Away, L/H	4	257001-00	Door WA, Pump	25_1	251102-00
Decal, Keep Away, L/H	4	257002-00	Door WA, Radiator	16_1	251101-00
Decal, Keep Away, R/H	5	257001-00	Door, W.A., Kabin	1	256004-00
Decal, Keep Away, R/H	5	257002-00	Drier	38	252701-00
Decal, Lifting Capacity	46	257001-00	Drive Board	17	258001-00
Decal, Lifting Capacity	46	257002-00	Drive Board	17	258001-00
Decal, Logo	39	257001-00	Dust Indicator	5_5	252201-00
Decal, Logo	39	257002-00	Element INR, Air Cleaner	5_1	252201-00
Decal, Master Switch, On/Off	14	257001-00	Element, Air Cleaner	5_2	252201-00
Decal, Master Switch, On/Off	14	257002-00	Element, Pilot Filter	29_1	253204-00
Decal, Mode Selection Decal	49	257001-00	Element, Stainer Ass'y, Suction	17_1	253401-00
Decal, Mode Selection Decal	49	257002-00	Element, Water Seperator	05371	252021-00
Decal, Model	1	257001-00	Element, Water Seperator	05371	252021-00
Decal, Model	1	257002-00	Engine Hanger	02200B	252016-00
Decal, Operation	19	257001-00	Engine Hanger	02200C	252016-00
Decal, Operation	19	257002-00	Engine Harness	1	258005-00
Decal, Reservoir Tank	26	257001-00	Engine Hood Ass'y	1	251106-00
Decal, Reservoir Tank	26	257002-00	Engine Hood Ass'y	1	251106-00
Decal, Safe Operation	18	257001-00	Engine Hood WA	1_1	251106-00
Decal, Safe Operation	18	257002-00	Engine Hood WA	1_1	251106-00
Decal, Safety	27	257001-00	Engine Oil Pressure Switch	04226	252016-00
Decal, Safety	27	257002-00	Engine, 6D16	1	252001-00
Decal, Sound Level, Inside	47	257001-00	Evaporator	56	252701-00
Decal, Sound Level, Inside	47	257002-00	Expander Plug, Travel Motor	69	253103-00
Decal, Sound Level, Outside	48	257001-00	Fan	11	252001-00
Decal, Sound Level, Outside	48	257002-00	Fan Guard, W.A.	27	252401-00
Decal, Tech. Spec.	23	257001-00	Fan, Aircondition	105	252701-00
Decal, Tech. Spec.	23	257002-00	Fan, Aircondition	105	252702-00
Decal, Throttle Cable	21	257001-00	Filter Ass'y, Return	10	253401-00
Decal, Throttle Cable	21	257002-00	Filter, Fuel	15	252501-00
Decal, Tool Box	36	257001-00	Filter, Fuel	36	252501-00
Decal, Tool Box	36	257002-00	Filter, Fuel Tank	26	252501-00
Decal, Track Adjustment	3	257001-00	Filter, Polen	120_2	252701-00
Decal, Track Adjustment	3	257002-00	Filter, Polen	120_2	252702-00
Decal, Warning	71720T	252039-00	Floor Plate W.A., Cab	10	256001-00
Decal, Warning	11	257001-00	Floormat	5	256103-00
Decal, Warning	16	257001-00	Flyweight, Governor	07226A	252026-00
Decal, Warning	17	257001-00	Flyweight, Timer	07359	252027-00
Decal, Warning	28	257001-00	Flyweight, Timer	07359A	252027-00
Decal, Warning	11	257002-00	Flywheel Housing	03030A	252012-00
Decal, Warning	16	257002-00	Frame W.A., Track	1	254101-00
Decal, Warning	17	257002-00	Friction Plate	31	253103-00
Decal, Warning	28	257002-00	Friction/Seperator KIT	•	253103-00
Decal, Warning, Counter Weight	12	257001-00	Front Console	40	256104-00
Decal, Warning, Counter Weight	12	257002-00	Front Sash Handle, L/H	13	256003-00
Decal, Warning, Hot	24	257001-00	Front Sash Handle, R/H	12	256003-00
Decal, Warning, Hot	24	257002-00	Front Sash Rail, L/H	6	256003-00
Deflector, Return Flow	01526	252017-00	Front Sash Rail, R/H	7	256003-00
Diaphragm, Governor	07222	252025-00	Front Sash Wheel, Bottom	19	256003-00
Diffuser, Air	39	256103-00	Front Sash Wheel, Top	18	256003-00
Diffuser, Air, Cab	5	256104-00	Front Work Lamp Mounting		250503-00
Door Ass'y, Filter	31	251104-00	Fuel Filter	05300	252022-00
Door Ass'y, Pump	25	251102-00	Fuel Filter Ass'y	05300A	252022-00

PART DESCRIPTION INDEX

Part Description	No	Page	Part Description	No	Page
Fuel Injection Pump	07010A	252028-00	Glass, L/H, Back	19	256002-01
Fuel Shut-off Module	2	258006-00	Glass, R/H, Back	13	256002-00
Fuel Shut-off V/V	28	258002-00	Glass, R/H, Back	13	256002-01
Fuel Tank, W.A.	1	252501-00	Glass, R/H, Front	10	256002-00
Fuse	6	258001-00	Glass, R/H, Front	10	256002-01
Fuse	7	258001-00	Glow Plug	14650	252037-00
Fuse	8	258001-00	Governor Ass'y, Inection Pump	07040A	252025-00
Fuse	9	258001-00	Governor Ass'y.	07040A	252026-00
Fuse	10	258001-00	Governor, Pump	07040A	252023-00
Fuse	1_1	258005-00	Grease Nipple, Arm	1_8	255201-00
Fuse, Air Heater	22	258003-00	Grease Nipple, Arm Cylinder	53	253304-00
Gas Spring, Console Box, L	27	256104-00	Grease Nipple, Arm Cylinder	54	253304-00
Gas Spring, Vent	32	256003-00	Grease Nipple, Boom Cylinder	37	253302-00
Gasket Kit, Engine Overhaul	01070	252007-00	Grease Nipple, Boom Cylinder	38	253302-00
Gasket Set, Yoke, Starter	14068	252037-00	Grease Nipple, Bucket Cylinder	39	253303-00
Gasket, Cyl. Block	01399B	252016-00	Grease Nipple, Link Assembly	3_5	255401-00
Gasket, Washer Motor	27_4	258002-00	Grease Nipple, Lubrication Piping	1	255801-00
Gauge Level, Hydraulic Oil	5	253401-00	Grease Nipple, Pump INR, Engine	10078	252032-00
Gauge Unit, Water Temperature	10801	252033-00	Grease Nipple, Swing Ring	41	254101-00
Gauge Unit, Water Temperature	10801	252033-00	Grease Nipple, Swing Unit	53	253001-00
Gauge, Engine Oil Level	04911	252011-00	Grease Valve, Track Adjuster Ass'y	15	254105-00
Gauge, Water Temperature	11	258002-00	Guard, Head Lamp	23	251201-00
Gear and Case KIT, Oil Pump	04005	252017-00	Guard, Track	5	254101-00
Gear Box, Step Motor	22_2	258002-00	Guide, Exhaust Valve	03470	252009-00
Gear Case and Poppet, Gear Pump	•	253013-00	Guide, Inlet Valve	03460	252009-00
Gear Pump		253013-00	Guide, Oil Level Gauge	04912	252011-00
Gear, Camshaft	03136	252015-00	Handle	13_16	251202-00
Gear, Crankshaft	03026	252015-00	Handle, Vent	27	256003-00
Gear, Injection Pump Timer	07362	252023-00	Harness, Aircondition	41	258001-00
Gear, Oil Pump Driven	04016	252017-00	Harness, Cab	1	258006-00
Gear, Pump	116	253012-00	Harness, Engine	1	258005-00
Gear, Redution INR	14038	252037-00	Harness, Main	1	258004-00
Gear, Redution Pinion, Starter	14039	252037-00	Head Ass'y, Oil Filter	04121A	252018-00
Gear, Starter Reduction	14037	252037-00	Head Lamp	1	258002-00
General Purpose Buckect Ass'y	1A	255301-00	Head, Fuel Filter	05314	252022-00
General Purpose Buckect Ass'y	1B	255301-00	Head, Water Seperator	05319	252021-00
General Purpose Buckect Ass'y	1C	255301-00	Headrest KIT	20	256105-00
General Purpose Buckect W.A.	1_1A	255301-00	Heater	1	252702-00
General Purpose Buckect W.A.	1_1B	255301-00	Heater Cover	6_1	256103-00
General Purpose Buckect W.A.	1_1C	255301-00	Heater Cover, Lower	31	256103-00
Glass Handle	25_3	256002-00	Heater Cover, Upper	6	256103-00
Glass Handle	25_3	256002-01	Heater Switch	4_2	252702-00
Glass Handle Bracket, Striker	35	256003-00	Height Riser KIT	9	256105-00
Glass, Back	16	256002-00	Height Riser Spring KIT	11	256105-00
Glass, Back	16	256002-01	Hinge, Cab Door	15	256004-00
Glass, Door	25_1	256002-00	Hinge, Engine Hood	1_12	251106-00
Glass, Door	25_2	256002-00	Hinge, Filter Door	31_2	251104-00
Glass, Door	25_1	256002-01	Hinge, Heater Cover	6_7	256103-00
Glass, Door	25_2	256002-01	Hinge, Pump Door	25_3	251102-00
Glass, Door, Bottom	22	256002-00	Hinge, Radiator Door	16_3	251101-00
Glass, Door, Bottom	22	256002-01	Hinge, Vent	28	256003-00
Glass, Front	6	256002-00	Horn, High	17	258002-00
Glass, Front	6	256002-01	Horn, Low	18	258002-00
Glass, Front, Bottom	26	256002-00	Hose, Suction	121	253003-00
Glass, Front, Bottom	26	256002-01	Hourmeter	49	258001-00
Glass, L/H, Back	19	256002-00	Housing, Fuse	1_2	258005-00

PART DESCRIPTION INDEX

Part Description	No	Page	Part Description	No	Page
Hydraulic Pump	21	253003-00	Mirror	34	251202-00
Hydraulic Pump		253012-00	Mirror	45	256003-00
Hydraulic Tank W.A.	1	253401-00	Motor and Link Group, Wiper	50_1	256003-00
Idler	1	254104-00	Motor Ass'y, Swing Unit	39_2	253001-00
Idler Ass'y		254104-00	Motor Ass'y, Swing Unit		253017-00
Idler Ass'y	17	254101-00	Motor Ass'y, Travel Unit		253103-00
Impeller	10025	252032-00	Mud Holder	61	252701-00
Inside Handle	64	256004-00	Muffler Ass'y	6	252301-00
Instrument Panel	1	258001-00	Name Plate, Machine	6	257001-00
Inter Cooler	11700	252402-00	Name Plate, Machine	6	257002-00
Jet, Washer	11	256003-00	Name Plate, MCV	79	253004-00
Joint, Turning	1	253101-00	Name Plate, Pump	981	253012-00
Joint, Turning		253104-00	Nut, V/V Gear Train	03299	252014-00
Joistic Ass'y, L/H		253206-00	Oil Cooler	10255	252402-00
Joistic Ass'y, R/H		253206-00	Oil Cooler Ass'y	04300A	252019-00
Key, Camshaft	03196	252014-00	Oil Cooler Element	04322	252019-00
Key, Governor	07235B	252025-00	Oil Filter	04150	252018-00
Key, Governor	07235C	252026-00	Oil Filter and Head Ass'y	04100A	252018-00
Key, Injection Pump Body	07124	252024-00	Oil Pan, Engine	01500	252011-00
Key, Pump Drive Shaft	07027	252023-00	Oil Pump Ass'y, Engine	04000A	252017-00
Key, Safety Lever Ass'y	1_3_4	256102-00	OverLoad Relief Valve, Travel Motor	66	253103-00
Key, Square, Step Motor	22_8	258002-00	Pedal	37	253207-00
Key, Timing Gear Train	03297	252015-00	Pedal Ass'y	19	253202-00
Lamp, Cab Interior	20	258001-00	Pedal Ass'y		253207-00
Lamp, Cab Interior	20	258001-00	Pedal, Breaker	70	250102-00
Level Gauge	27	252501-00	Pilot Filter	29	253204-00
Lever Ass'y	16	252601-00	Pilot Manifold Ass'y	14	253202-00
Lever Ass'y, Travel	1	256104-00	Pilot Valve	67	253103-00
Lever, Back Lock	22	256004-00	Pin, Gas Spring, Vent	33	256003-00
Lever, Safety Switch	1_3_1	256102-00	Pin, Hinge, Cab Door	17	256004-00
Lever,Key, Safety Lever Ass'y	1_3_7	256102-00	Pin, Hinge, Vent	29	256003-00
Lighter, Cigar	4	258001-00	Pin, Hook	25	256104-00
Liner, Cylinder, Engine	01342	252010-00	Pin, Lock, Bucket	1_16	255301-00
Link Ass'y	3	255401-00	Pin, Tooth, 1300 mm, Bucket	1_4	255301-00
Link W.A.	3_1	255401-00	Pin, Tooth, 1500 mm, Bucket	1_4	255301-00
Lock Ass'y, Filter Door	31_3	251104-00	Pin, Tooth, 750 mm, Bucket	1_4	255301-00
Lock Ass'y, Pump Door	25_7	251102-00	Pinion	28	253016-00
Lock Ass'y, Radiator Door	16_7	251101-00	Pipe Band , Boom Cylinder	26	253302-00
Lock, Female, Heater Cover	6_5	256103-00	Pipe Band Ass'y, Arm Cylinder	31	253304-00
Lock, Inside	12	256004-00	Pipe Band Ass'y, Arm Cylinder	39	253304-00
Lock, Inside	12	256004-00	Pipe Band Ass'y, Bucket Cylinder	25	253303-00
Lock, Male, Heater Cover	6_6	256103-00	Pipe Band Ass'y-H, Boom Cylinder	25	253302-00
Lock, V/V Spring Ret.	03450	252014-00	Pipe Band, Arm Cylinder	32	253304-00
Locking Switch	1_7	256102-00	Pipe Band, Arm Cylinder	32	253304-00
Louver	38	256104-00	Pipe Band, Arm Cylinder	40	253304-00
Louver, Cab	4	256104-00	Pipe W.A. Suction, Hydraulic Tank	18	253401-00
Louver, Cab	39	256104-00	Pipe, Muffler	1	252301-00
Lower Roller Ass'y		254103-00	Piston Nut, Arm Cylinder	22	253304-00
Lower Roller Ass'y	31	254101-00	Piston Nut, Boom Cylinder	22	253302-00
Main Control Valve	1	253001-00	Piston Nut, Bucket Cylinder	22	253303-00
Main Harness	1	258004-00	Plate, Aircon. /Heater Control	102	252701-00
Manifold, Exhaust	12000	252035-00	Plate, Aircon. /Heater Control	102	252702-00
Manifold, Inlet	11400	252034-00	Plate, Engine Oil Caution	01912B	252039-00
Manifold, Pilot	14_1	253202-00	Plate, Glow Plug Conn.	14615B	252037-00
Mate, Back Lock	5	256004-00	Plate, Glow Plug Conn.	14615C	252037-00
Mechanisim, Heater Cover Pocket	6_9	256103-00	Plate, Inside Lock	13	256004-00

PART DESCRIPTION INDEX

Part Description	No	Page	Part Description	No	Page
Plate, Lock, Filter Door	15	251104-00	Reservoir Holder WA.	33	252401-00
Plate, Lock, Pump Door	15	251102-00	Retainer, V/V Spring	03405	252014-00
Plate, Lock, Radiator Door	15	251101-00	Rezervoir Tank	30	252401-00
Plate, Switch Panel	51	256104-00	Ring Gear, Flywheel	03057	252012-00
Pocket	30	256103-00	Ring Gear, Reduc. Gear, Swing U.	14	253016-00
Point, 1300 mm, Bucket	1_2	255301-00	Ring Gear, Reduc. Gear, Travel Unit	17	253102-00
Point, 1500 mm, Bucket	1_2	255301-00	Ripper	1	250301-00
Point, 750 mm, Bucket	1_2	255301-00	Rocker Arm	03323	252014-00
Pointer, Eng. Timing	02124	252012-00	Rod, Alternator Adjustment	14282	252038-00
Pollen Filter Ass'y	45	256004-00	Rod, Battery Box	13_1_4	251202-00
Pollen Filter Ass'y, Aircondition	120	252701-00	Rod, Pre Cleaner	1_2	252201-00
Pollen Filter Ass'y, Aircondition	120	252702-00	Rotor KIT, Alternator	14304	252038-00
Polyamide, Wedge	24	256104-00	Rubber, Head Lamp	24	251201-00
Pre Cleaner Ass'y	1	252201-00	Rubber, L/H	59	256003-00
Pressure Switch, Air Condition	50	252701-00	Rubber, R/H, Front	10	256003-00
Pressure Switch, Brake	65	253203-00	Rubber, R/H, Rear	58	256003-00
Pressure Switch, MCV, PA	520	253202-00	Rubber, Radiator	2	252401-00
Pressure Switch, MCV, PT	25	253205-00	Safety Lever Ass'y	1_3	256102-00
Proportional Reducing Valve		253014-00	Sash Ass'y, Cab Door	25	256002-00
Proportional Reducing Valve	079	253012-00	Sash, Door Glass	25_6	256002-00
Proportional Valve &Regulator KITS	N2	253012-00	Sash, Door Glass	25_6	256002-01
Pulley & Fan KIT, Alternator	14292	252038-00	Sash, Front Glass	3	256002-00
Pulley, Crankshaft	03047	252013-00	Sash, Front Glass	3	256002-01
Pulley, Water Pump	10041	252032-00	Scrw, V/V Gear Train	03266B	252014-00
Pump, Fuel Filler	15	258003-00	Scrw, V/V Gear Train	03266C	252014-00
Pump,Gear	04	253012-00	Seal KIT	•	253304-00
Radiator Ass'y	1	252401-00	Seal KIT, Arm Cylinder	•	253304-00
Radiator Sub. Ass'y.	10257A	252402-00	Seal KIT, Boom Cylinder	•	253302-00
Radiator, Oil, Inter Cooler. Ass'y	10280A	252402-00	Seal KIT, Bucket Cylinder	•	253303-00
Rear Rotary Group, Lapped	•	253012-00	Seal KIT, Motor Ass'y, Travel Unit	•	253103-00
Rear Work Lamp Mounting		250502-00	Seal KIT, Pedal	•	253207-00
Rectifier, Alternator	14296B	252038-00	Seal KIT, Pump	•	253012-00
Reduction Gear, Swing Unit	39_1	253001-00	Seal KIT, Pump Regulator	•	253015-00
Reduction Gear, Swing Unit		253016-00	Seal KIT, Pump Regulator	N1	253012-00
Reduction Gear, Travel Unit		253102-00	Seal KIT, Remote Control Valve	•	253206-00
Reflector, L/H	32	257001-00	Seal KIT, Swing Motor	•	253017-00
Reflector, L/H	32	257002-00	Seal KIT, Turning Joint	•	253104-00
Reflector, R/H	33	257001-00	Seal, Valve Stem	03440	252014-00
Reflector, R/H	33	257002-00	Seat Ass'y	18	256103-00
Regulator	14297	252038-00	Seat Ass'y		256105-00
Regulator Ass'y, Pump		253015-00	Seat Belt and Tether Belt KIT	4	256105-00
Relay	13	258001-00	Seat Belt KIT	3	256105-00
Relay Housing	11	258001-00	Seat Cover Ass'y, KIT	7	256105-00
Relay, Air Heater	24	258003-00	Seat Foam KIT	8	256105-00
Relay, Fuel Shut-off V/V	43	258001-00	Seat Frame Ass'y	2	256105-00
Relay, Safety	48	258001-00	Seat Sup. W.A., Upper	1_2	256103-00
Relay, Starter	23	258003-00	Seat Support Ass'y	1	256103-00
Relay, Swing Flasher	47	258001-00	Seat Support W.A., Bottom	1_1	256103-00
Relief Ass'y, Swing Motor	45	253017-00	Seat, Radiator Setting	10435	252402-00
Relief Valve Ass'y, MCV	70	253006-00	Sensor, Engine Speed	02125	252012-00
Relief Valve Ass'y, MCV	70	253007-00	Sensor, Fuel	15	258002-00
Relief Valve KIT, MCV	68	253004-00	Service KIT, Fuel Filler Pump	15_2	258003-00
Relief Valve KIT, MCV	69	253004-00	Shifter Piston Set, Travel Unit	•	253103-00
Relief Valve KIT, MCV	69	253005-00	Shifter Piston, Travel Unit	47	253103-00
Remote Cont. V/V, L	12	253201-00	Shim, Adjustment, Filter Door	39	251104-00
Remote Cont. V/V, R	1	253201-00	Shim, Adjustment, Pump Door	39	251102-00

PART DESCRIPTION INDEX

Part Description	No	Page	Part Description	No	Page
Shim, Adjustment, Radiator Door	39	251101-00	Support Ass'y, Filter	30	251104-00
Shroud WA, Fan	53	252401-00	Support Ass'y, Pump	24	251102-00
Shuttle Valve	6	253203-00	Support Ass'y, Radiator	1	251101-00
Sleeve and Piston KIT, Engine	01340	252005-00	Support B, Swing Ring Ass'y	22_4	254101-00
Sleeve and Piston KIT, Engine	01340	252005-00	Support WA, Filter	30_1	251104-00
Sleeve and Piston KIT, Engine	01340	252005-00	Support WA, Pump	24_1	251102-00
Sleeve, Governor, Engine	07265	252026-00	Support WA, Radiator	1_1	251101-00
Sleeve, Injection Pump	07147C	252024-00	Support, Cab	1	256001-00
Sleeve, MCV	99	253009-00	Support, Glass, L	35	256002-01
Slide Ass'y	1_3	256103-00	Support, Glass, R	34	256002-01
Socket	34	258002-00	Support, Radiator, FR	6	252401-00
Socket	23	258002-00	Support, Radiator, RR	7	252401-00
Solenoid, 3-Solenoid Priority Valve	2	253208-00	Support, Sponge, Filter	30_15	251104-00
Solenoid, 3-Solenoid Valve	2	253209-00	Suspension Ass'y	21	256105-00
Solenoid, Proportional Reducing Val	801	253014-00	Suspension Cover	17	256105-00
Spacer	1_10	255301-00	Swing Ring Ass'y	22	254101-00
Speaker	24_2	258001-00	Swing Unit	39	253001-00
Spherical Valve	43	253001-00	Switch, AirCon.-Working Lamp	37	258001-00
Sponge	27_5	258002-00	Switch, AirCondition/Fan	101	252701-00
Spool	19	253008-00	Switch, AirCondition/Fan	101	252702-00
Spool Ass'y	27	253008-00	Switch, Beacon	5	250501-00
Spool Ass'y, Arm1	14	253006-00	Switch, Engine Oil Pressure	04226	252016-00
Spool Ass'y, Boom2	15	253006-00	Switch, Filter ByPass	04101	252018-00
Spool Ass'y, OP	17	253006-00	Switch, Front Work Lamp	5	250503-00
Spool Ass'y, Swing	16	253006-00	Switch, Fuel Pump	15_1	258003-00
Spool Ass'y, Travel	5	253006-00	Switch, Heater	4_2	252702-00
Spool Ass'y, Arm2	2	253007-00	Switch, High-Low Beam	42	258001-00
Spool Ass'y, Boom1	3	253007-00	Switch, Key	3	258001-00
Spool Ass'y, Bucket	4	253007-00	Switch, Low Beam	42	258001-00
Spool Ass'y, S.Travel	6	253007-00	Switch, Master	5	258003-00
Spool Ass'y, Travel	5	253007-00	Switch, Pressure, Brake	65	253203-00
Spool End	22	253008-00	Switch, Pressure, MCV, PA	520	253202-00
Spring, V/V, INR	03416	252014-00	Switch, Pressure, MCV, PT	25	253205-00
Spring, V/V, OTR	03417	252014-00	Switch, Rear Work Lamp	7	250502-00
Sproket	2	254101-00	Switch, Toggle, On-On	5	258001-00
Starter Ass'y	14000A	252037-00	Switch, Wiper	36	258001-00
Stay WA	10	251202-00	Switch, Wiper	22	258001-00
Step	37	254101-00	Switch, Wiper Water	38	258001-00
Step Motor	22_1	258002-00	Switch, Work Mode	45	258001-00
Step Motor Ass'y	22	258002-00	Tappet, Valve	03172	252014-00
Stereo, Ass'y	24	258001-00	Thermostat KIT	10110	252033-00
Stereo, Clarion	24_1	258001-00	Thermostat, Aircondition	58	252701-00
Stopper, Boom Mounting	23	255101-00	Time Delay Valve	39	253017-00
Stopper, Front Sash, L/H	40	256003-00	Timer Ass'y	07030A	252027-00
Stopper, Front Sash, R/H	39	256003-00	Timer Ass'y, Injection Pump	07030A	252023-00
Strainer Ass'y, Suction	17	253401-00	Torsion Bar, R , Engine Hood	21	251106-00
Strainer, Oil Pan	04124	252017-00	Torsion Bar, R , Engine Hood	22	251106-00
Striker	43	256004-00	Track Ass'y	40	254101-00
Striker Plate	63	256004-00	Track Ass'y		254201-00
Striker, Vent Handle	34	256003-00	Track Link, LH	2	254201-00
Suc. Hose	51	252701-00	Track Link, Master, LH	4	254201-00
Sun Gear 1, Reduction Gear, Swing U	10	253016-00	Track Link, Master, RH	3	254201-00
Sun Gear 1, Reduction Gear, Travel U	9	253102-00	Track Link, RH	1	254201-00
Sun Gear 2, Reduction Gear, Swing U	4	253016-00	Track Shoe	14	254201-00
Sun Gear 2, Reduction Gear, Travel U	10	253102-00	Travel Lever	1	256104-00
Support A, Swing Ring Ass'y	22_3	254101-00	Travel Unit	4	253101-00

PART DESCRIPTION INDEX

Part Description	No	Page	Part Description	No	Page
Trottle Cable	7	252601-00			
Turbocharger Ass'y	12500A	252036-00			
Up / Bumpstop KIT, Operator Seat	15	256105-00			
Upper Ass'y KIT	1	256105-00			
Upper Frame WA	1	251201-00			
Valve Ass'y	34	252501-00			
Valve Ass'y, Heater	4	252702-00			
Valve Housing, MCV	13	253006-00			
Valve Housing, MCV	1	253007-00			
Valve Mounting	7	252702-00			
Valve, Exhaust	03420	252014-00			
Valve, Fuel Feed Pump	07326	252028-00			
Valve, Heater	4_1	252702-00			
Valve, Inj. Pump	07155B	252024-00			
Valve, Inj. Pump	07155C	252024-00			
Valve, Inlet	03410	252014-00			
Valve, Pressure Regulator	04232	252020-00			
Valve, Vacuator	5_7	252201-00			
V-Belt	37	252701-00			
Warning Lamp	29	258002-00			
Warning Lamp	30	258002-00			
Washer Motor	27_3	258002-00			
Washer Tank	27_1	258002-00			
Washer Tank Ass'y	27	258002-00			
Washer, Pln.	50	256103-00			
Washer, Tooth, 1500 mm, Bucket	1_3	255301-00			
Washer, Tooth, 750 mm, Bucket	1_3	255301-00			
Washer, Tooth,1300 mm, Bucket	1_3	255301-00			
Water Pump Ass'y	10000A	252032-00			
Water Pump KIT	10010	252032-00			
Water Separator Ass'y	05360A	252021-00			
Water Separator Ass'y	05360A	252021-00			
Water Seperator, Pre Filter	18	252501-00			
Weight Adjuster KIT, Op. Seat	16	256105-00			
Window Guard	1	250504-00			
Window Guard Ass'y.		250504-00			
Wiper Mechanism, Front Window	50	256003-00			
Wiper, Switch	22	258001-00			
Wire, Heater Mechanism	4_3	252702-00			
Wire, Locking Switch	4	256102-00			
Wire, Reduc. Gear, Swing Unit	36	253016-00			
Wire, Warning Lamp	36	258002-00			
Wire, Working Lamp	35	258002-00			
Work Lamp	1	250502-00			
Work Lamp	1	250503-00			
Working Lamp	7	258002-00			
Yoke W.A., L/H, Link Ass'y	1	255401-00			
Yoke W.A., R/H, Link Ass'y	2	255401-00			

YETKİLİ SERVİSLER

HİDROMEK YETKİLİ SERVİSLERİ & BÖLGE SSH'LAR

ANKARA	: HİDROBİRLİK LTD. ŞTİ.
Adres	: İvedik Organize Sanayi Eminel Koop. 665 Sok. No:25 Ostim / ANKARA
Telefon	: 0312 395 38 16 (pbx)
Faks	: 0312 395 38 20
Cep Telefonu	: 0532 346 23 42 - 0532 575 43 53 (İsmail AYTEN)
Servis Yetkilisi	: Adnan ÖREN (adnanoren@hidrobirlik.com)
ADANA	: AKDENİZ İŞ MAKİNALARI TİC. SAN. LTD. ŞTİ.
Adres	: Yeşil Oba Metal San. Sit. 27. Blok No:3 Seyhan / ADANA
Telefon	: 0322 428 33 24
Faks	: 0322 428 26 49
Cep Telefonu	: 0533 642 19 65
Servis Yetkilisi	: Nevzat KÖRELİ (akismak@hotmail.com)
ADAPAZARI	: BC MAKİNA OTO SAN. VE TİC. LTD. ŞTİ.
Adres	: Modern San. İnönü Bulvarı No: 73-75 ADAPAZARI
Telefon	: 0 264 275 28 37
Faks	: 0 264 291 10 91
Cep Telefonu	: 0 532 340 34 12
Servis Yetkilisi	: Yıldırım Akbulut (bcmakina@bcmakina.com.tr)
AFYON	: HARUN MAKİNA OTO SAN. TİC. LTD. ŞTİ.
Adres	: 2. Küçük Sanayi Sitesi 11. Ada 5. Blok No: 11 AFYON
Telefon	: 0272 223 47 72 - 223 15 31
Faks	: 0272 223 15 93
Cep Telefonu	: 0532 264 38 84
Servis Yetkilisi	: Halit ÇALIŞKAN(halit-hm03@hotmail.com)
AĞRI	: EKİNCİLER OTOMOTİV LTD. ŞTİ.
Adres	: Yeni Sanayi Sitesi 14.Blok No: 2 AĞRI
Telefon	: Merkez: 0472 215 29 84
Faks	: 0472 215 69 92
Cep Telefonu	: 0533 559 46 68
Servis Yetkilisi	: Hüseyin Ekinci (
AKSARAY	: EMEKTAR İKİZLER OTOMOTİV LTD. ŞTİ.
Adres	: Konya Yolu Üzeri Mercedes Benz Fabrikası Yanı Polis Okulu Karş. AKSARAY
Telefon	: 0382 215 18 28
Faks	: 0382 215 53 53
Cep Telefonu	: 0542 411 98 75 - 0533 746 60 11
Servis Yetkilisi	: Orhan EMEKTAR (emektar_21@hotmail.com)
ANTALYA / Alanya	: NİHAT AYDOĞAN
Adres	: Sanayi Sitesi Necipbey Caddesi No:11 Alanya / ANTALYA
Telefon	: 0242 515 11 66
Faks	: 0242 515 01 75
Cep Telefonu	: 0532 482 93 32
Servis Yetkilisi	: Nihat AYDOĞAN (aydogan_nihat07@hotmail.com)
ANTALYA	: ÖZGÜVENİRLER İŞ MAKİNALARI
Adres	: Akdeniz Sanayi Sitesi 5046 Sokak No: 8 ANTALYA
Telefon	: 0242 221 47 81
Faks	: 0242 221 47 88
Cep Telefonu	: 0532 715 73 47 - 0532 414 35 06 - 0533 386 43 37
Servis Yetkilisi	: Veli ÇATAL (ozguvenirler@hotmail.com)

HİDROMEK YETKİLİ SERVİSLERİ & BÖLGE SSH'LAR

ANTALYA	: EGE MAKİNA
Adres	: Sanayi Sitesi Ek San. No: 22 Manavgat / ANTALYA
Telefon	: 0242 743 00 79
Faks	: 0242 743 42 90
Cep Telefonu	: 0535 930 79 25
Servis Yetkilisi	: Sadettin BATUR (egemakina@mynet.com)
BALIKESİR	: GÖNEN OTOMOTİV - Fehim ÖZKURT
Adres	: Yeni Sanayi Sitesi 1. Cad. No:37 Gönen/BALIKESİR
Telefon	: 0266 762 92 94
Faks	: 0266 763 00 98
Cep Telefonu	: 0535 630 34 72
Servis Yetkilisi	: Fehim ÖZKURT (gonenjaponoto@hotmail.com)
BARTIN	: SERVİS TİCARET MAK. SAN. LTD. ŞTİ.
Adres	: Yeni Sanayi Sitesi No:11 BARTIN
Telefon	: 0378 227 41 88
Faks	: 0378 227 41 88
Cep Telefonu	: 0532 784 46 74
Servis Yetkilisi	: Hasan OĞULLAR (servisticaret@yahoo.com)
BOLU	ERMAK İŞ MAKİNALARI
Adres	: Küçük Sanayi Sitesi L Blok No:11 BOLU
Telefon	: 0374 243 97 92 - 93
Faks	: 0374 243 97 92
Cep Telefonu	: 0532 562 48 25
Servis Yetkilisi	: Ersin TARHAN (ermak.ismakinalari@gmail.com)
BURSA-1	: ÜNES MAKİNA - ENGİN DEMİREL
Adres	: Ankara Yolu Üzeri 9. km. Oto Sanayi Sitesi 40 Blok No:121-123 BURSA
Telefon	: 0224 342 57 38 - 39
Faks	: 0224 342 57 39
Cep Telefonu	: 0532 240 16 56 (Ünal ESİNER)
BURSA-2	: HİDMAKSER İŞ MAK. LTD. ŞTİ.
Adres	: Beşevler Küçük Sanayi Sitesi 57/A Blok No:13-14 Nilüfer/BURSA
Telefon	: 0224 441 84 11 - Y.P. : 0224 441 50 95
Faks	: 0224 441 35 54
Cep Telefonu	: 0532 263 06 65
Servis Yetkilisi	: Erkan ALGAN (firat_algan@hotmail.com)
BURSA-3	: CANMAK İŞ MAKİNALARI SAN. VE TİC. LTD. ŞTİ.
Adres	: Yiğitler Mh. Otosansit Sanayi Sit. 17. Blok No:86-88 Yıldırım/BURSA
Telefon	: 0224 341 24 58 - 0224 341 25 78
Faks	: 0224 341 24 92
Cep Telefonu	: 0532 765 90 13
Servis Yetkilisi	: Hasan IŞIK (canmakismakinalari@gmail.com)
ÇANKIRI	: GÜRKAYNAKLAR MAKİNA LTD. ŞTİ.
Adres	: A.Halik Renda Mh. Küçük Sanayi Sitesi H Blok No:17 18200 ÇANKIRI
Telefon	: 0376 218 13 54
Faks	: 0376 218 13 54
Cep Telefonu	: 0532 354 33 88
Servis Yetkilisi	: Ahmet Mahir GÜRKAYNAK (gurkaynaklar.makina18@gmail.com)

HİDROMEK YETKİLİ SERVİSLERİ & BÖLGE SSH'LAR

ÇORUM-1	: HİDROTAM
Adres	: Küçük Sanayi Sitesi Sanayi Caddesi No:100 ÇORUM
Telefon	: 0364 234 88 55 Servis : 0364 234 89 59
Faks	: 0364 234 83 50
Cep Telefonu	: 0532 241 83 60
Servis Yetkilisi	: Fettah PEHLIVAN (hidrotam@gmail.com)
ÇORUM-2	: LİDER İŞ MAKİNALARI
Adres	: Küçük Sanayi Sitesi Sanayi Caddesi No:76 ÇORUM
Telefon	: 0364 234 89 51
Faks	: 0364 234 89 51
Cep Telefonu	: 0532 265 30 25
Servis Yetkilisi	: Sami KARABACAK
DENİZLİ	: ÇÜMEN HİDROLİK LTD. ŞTİ.
Adres	: Pamukkale 3.Sanayi Sitesi 45.Sokak No:29 DENİZLİ
Telefon	: 0258 268 90 08 – 268 84 54
Faks	: 0258 268 90 08
Cep Telefonu	: 0532 589 43 69
Servis Yetkilisi	: Yıldırım ÇÜMEN (yildiraycumen@ttnet.net.tr, yildiraycumen@hotmail.com)
DİYARBAKIR	: ÇELİK OTO
Adres	: 3. Sanayi Sitesi J2 Blok No:8 DİYARBAKIR
Telefon	: 0412 237 93 23
Faks	: 0412 238 36 17
Cep Telefonu	: 0532 657 29 73
Servis Yetkilisi	: Esat ÇELİK (esatcelik@mynet.com, celikoto_ecelik@hotmail.com)
ELAZIĞ	: AKGÜN MAKİNE
Adres	: Sanayi Sitesi 7. Sokak No:30 ELAZIĞ
Telefon	: 0424 224 63 48
Faks	: 0424 224 63 48
Cep Telefonu	: 0532 624 53 57
Servis Yetkilisi	: Ferit AKGÜN (akmakina23@hotmail.com)
ERZİNCAN	: OTO AKSAKALLI
Adres	: Yeni Sanayi Çarşısı Mengüceli Mh. 7. Sk. No:44 ERZİNCAN
Telefon	: 0446 226 26 80
Faks	: 0446 226 26 87
Cep Telefonu	: 0537 811 46 17 - 0530 404 17 60
Servis Yetkilisi	: Hüseyin AKSAKALLI (otoaksakalli@mynet.com)
ERZURUM	: GÜÇ-SA İŞ MAKİNALARI SAN. TİC. LTD. ŞTİ.
Adres	: Orta Sanayi Sitesi 1. Blok No:6 ERZURUM
Telefon	: 0442 242 71 50-51-52
Faks	: 0442 242 78 89
Cep Telefonu	: 0532 616 78 70
Servis Yetkilisi	: Haluk GÖÇÜCÜ - Servis Sahibi - (halukgocucu@hotmail.com)
ESKİŞEHİR	: ATILIM OTOMOTİV - İSMAİL PEKİNBAŞ
Adres	: Teksan Sanayi Sitesi C1 Blok No:3-4 ESKİŞEHİR
Telefon	: 0222 228 07 63
Faks	: 0222 228 07 83
Cep Telefonu	: 0532 223 43 79 - 0532 682 36 96
Servis Yetkilisi	: İsmail PEKİNBAŞ - Cengiz ÇETİN (hikmet@atilimis.com, info@atilimis.com)

HİDROMEK YETKİLİ SERVİSLERİ & BÖLGE SSH'LAR

GAZİANTEP	: ECM MAKİNA İNŞAAT SAN. VE TİC. LTD. ŞTİ.
Adres	: Küşet B Blok 45 Nolu Cd. No:3 GAZİANTEP
Telefon	: 0342 235 09 41 - 42
Faks	: 0342 235 57 51
Cep Telefonu	: 0533 557 16 06
Servis Yetkilisi	: Mahmut YILDIZ (ecm.mahmut@hotmail.com)
GEBZE / KOCAELİ	: HEDEF MAKİNA LTD. ŞTİ.
Adres	: Tatlıkuyu Mah. E5 Kenarı No:1 Gebze / KOCAELİ
Telefon	: 0262 646 94 87 - 644 89 50-51
Faks	: 0262 644 89 52
Cep Telefonu	: 0533 467 38 83
Servis Yetkilisi	: Cuma KEBBET (cuma.kebbet@hedef-makina.com)
HAKKARİ	: DOĞUKENT İŞ MAKİNALARI
Adres	: Küçük Sanayi Sitesi A Blok No:16 HAKKARİ
Telefon	: 0438 211 53 37
Faks	: 0438 211 53 37
Cep Telefonu	: 0532 793 05 25 - 0536 868 31 50 - 0531 406 74 14 (ilyas usta)
Servis Yetkilisi	: Ahmet ÖZCAN (dogukentismakinalari@gmail.com)
HATAY	: GÜVEN İŞ MAKİNALARI
Adres	: Yeni Sanayi Sitesi 45/D Blok No: 15 Antakya / HATAY
Telefon	: 0326 221 49 39
Faks	: 0326 221 86 89
Cep Telefonu	: 0535 713 40 75
Servis Yetkilisi	: Bekir KABADAYI (bekirkabadayi@hotmail.com)
İĞDIR	: EKİNCİLER OTOMOTİV LTD. ŞTİ.
Adres	: Sanayi Sitesi 9.Blok No: 14 İĞDIR
Telefon	: 0476 210 21 58
Faks	: 0476 210 15 16
Cep Telefonu	: 0533 559 46 68
Servis Yetkilisi	: Hüseyin Ekinci
ISPARTA	: HARUN MAKİNA OTO SAN. TİC. LTD. ŞTİ.
Adres	: Petek San Sit. Marangozlar Bölümü Z Blok No:4 ISPARTA
Telefon	: 0246 224 35 11
Faks	: 0246 224 20 38
Cep Telefonu	: 0533 707 58 60 (Halit ÇALIŞKAN) - 0541 272 03 30 (Harun ÇALIŞKAN)
Servis Yetkilisi	: Halit ÇALIŞKAN (halit-hm03@hotmail.com)
İSTANBUL - 1	: HEDEF MAKİNA LTD.ŞTİ.
Adres	: Kadosan Sanayi Sitesi B Blok No:28 Yukarı Dudulu, Ümraniye/ İSTANBUL
Telefon	: 0216 466 46 00-01-02
Faks	: 0216 466 46 03
Cep Telefonu	: 0532 316 38 92
Servis Yetkilisi	: Lütfü ŞAHİN (lutfu.sahin@hedef-makina.com)
İSTANBUL - 2	: SERİ-İŞ MAKİNALARI
Adres	: Dolapdere Sanayi Sitesi 6.Ada No:44 İkitelli / İSTANBUL
Telefon	: 0212 549 32 10
Faks	: 0212 549 84 46
Cep Telefonu	: 0532 445 30 95 (Cemal Konca) - 0532 202 08 62 (Emrah Konca)
Servis Yetkilisi	: Emrah Konca (emrahkonca@mynet.com, www.seri-is.com)

HİDROMEK YETKİLİ SERVİSLERİ & BÖLGE SSH'LAR

İSTANBUL - 3	GÜMÜŞ MAKİNA SAN. TİC. LTD. ŞTİ.
Adres	: Ayazağa Köyü Mh. Şehit Orhan Karadağ Sok. No: 4/A Ayazağa/İSTANBUL
Telefon	: 0212 289 97 84 - 85
Faks	: 0212 289 97 86
Cep Telefonu	: 0532 297 95 60 - 0541 297 95 60
Servis Yetkilisi	: Şirzat KOÇ (gumusmakina2@gmail.com)
İZMİR	ÖZHAN HİDROLİK İŞ MAK. LTD. ŞTİ.
Adres	: 1429. Sk. No:14 Doğanlar/İZMİR
Telefon	: 0232 479 55 64 - 479 42 51
Faks	: 0232 478 58 52
Cep Telefonu	: 0533 773 04 34
Servis Yetkilisi	: Mehmet ÖZGÜN (mozgun@ozhanhidrolik.com)
İZMİT	HEDEF MAKİNA LTD.ŞTİ.
Adres	: Küçük Körfez Sanayi Sitesi 3. Cadde 309 Blok No: 71 İZMİT
Telefon	: 0262 335 42 28 - 335 46 40 - 335 55 70
Faks	: 0262 335 42 29
Cep Telefonu	: 0532 442 97 66
Servis Yetkilisi	: Harun EMRON (harun.emron@hedef-makina.com)
KARS	ERK-MAKİNE SANAYİ VE HAFRİYAT TİC. LTD. ŞTİ.
Adres	: Organize Sanayi 2B Blok No:2 KARS
Telefon	: 0474 242 62 91
Faks	: 0474 242 62 92
Cep Telefonu	: 0532 257 69 86 - 0535 836 12 43 - 0542 578 04 18 (Tamer AKBABA)
Servis Yetkilisi	: Rahim AKBABA (erksanhidrolik@mynet.com)
K.MARAŞ	UĞUR MAKİNA
Adres	: Yeni Sanayi Sitesi Kaportacılar Cad. No: 43 KAHRAMANMARAŞ
Telefon	: 0344 236 08 98
Faks	: 0344 236 36 16
Cep Telefonu	: 0533 721 95 30 (Murat Demirkol) : 0532 317 45 39 (Şahin Demirkol)
Servis Yetkilisi	: Şahin DEMİRKOL
KASTAMONU	GÜRKAYNAKLAR MAKİNA LTD. ŞTİ.
Adres	: Merkez: Kuzeykent Sanayi Sitesi 2. Ada B Blok No24 / KASTAMONU
Telefon	: Merkez: 0366 215 49 99
Faks	: Merkez: 0366 215 45 09
Cep Telefonu	: 0532 354 33 88
Servis Yetkilisi	: Ahmet Mahir GÜRKAYNAK
KAYSERİ	İŞIKLAR MAKİNA LTD. ŞTİ.
Adres	: Yeni Sanayi Şeker kısmı 33. Sokak No: 39 KAYSERİ
Telefon	: 0352 331 34 13
Faks	: 0352 331 34 20
Cep Telefonu	: 0532 272 94 42
Servis Yetkilisi	: Osman IŞIK (isikmak@mynet.com)
KONYA	GÜL-SA OTOMOTİV TİC. LTD.ŞTİ.
Adres	: Karatay Sanayi Beyçam Sk. No: 4 KONYA
Telefon	: 0332 233 57 32
Faks	: 0332 235 58 90
Cep Telefonu	: 0542 817 50 02 - 0530 600 70 07(Memiş Güler) : 0533 765 02 44 (Ali Osman Güler) : 0533 309 27 26 (Erol Güler)
Servis Yetkilisi	: Memiş GÜLER

HİDROMEK YETKİLİ SERVİSLERİ & BÖLGE SSH'LAR

KÜTAHYA (MERKEZ)	: DİKMENLER İŞ MAKİNALARI
Adres	: San.Sit.Bld.Blokları N.Koyuncuoğlu Ana.L.Karşı. No:14 Simav/KÜTAHYA
Telefon	: 0274 513 74 98
Faks	: 0274 513 54 30
Cep Telefonu	: 0542 217 74 82 (Mehmet Ali Dikmen)
Servis Yetkilisi	: M.Ali Dikmen (dikmenlerismak@gmail.com)
KÜTAHYA (ŞUBE)	: DİKMENLER İŞ MAKİNALARI
Adres	: Fatih Sanayi Sitesi 34. Sokak.No:23 KÜTAHYA
Telefon	: 0 274 231 23 29
Faks	: 0 274 231 23 29
Cep Telefonu	: 0533 268 32 65 (Adem Dikmen)
Servis Yetkilisi	: Adem Dikmen (dikmenlerismak@gmail.com)
MALATYA	: ÇALIŞKAN İŞ MAK. LTD. ŞTİ.
Adres	: Özsan Sanayi Sitesi 30.Blok No:6 MALATYA
Telefon	: 0422 238 23 11
Faks	: 0422 238 33 60
Cep Telefonu	: 0533 774 5067 - 0533 663 44 47 (Resul ÇALIŞKAN)
Servis Yetkilisi	: Hakan ÇALIŞKAN (caliskan.makine@gmail.com)
MALATYA	: ÖZSA İŞ MAKİNALARI SAN. VE TİC. LTD. ŞTİ.
Adres	: Özsan Sanayi Sitesi 37.Blok No:12-14 MALATYA
Telefon	: 0422 238 38 85 - 86
Faks	: 0422 238 20 08
Cep Telefonu	: 0532 441 45 62
Servis Yetkilisi	: Bayram ÖZMEN (ozsaismak@gmail.com, bayram4401@hotmail.com)
MUĞLA	: DEMİRHAN HİDROLİK - Hüseyin ELMACI
Adres	: Sanayi Sitesi 3/C No: 10 Yatağan / MUĞLA
Telefon	: 0252 572 74 07
Faks	: 0252 572 81 78
Cep Telefonu	: 0532 252 10 01
Servis Yetkilisi	: Hüseyin ELMACI (demirhan.yatagan@gmail.com, huseyinelmaci@hotmail.com)
MUĞLA / Fethiye - 1	: KARTAL HİDROLİK İŞ MAK. LTD. ŞTİ.
Adres	: Sanayi Sitesi Doğu Blok No:32-33 Fethiye / MUĞLA
Telefon	: 0252 614 92 13
Faks	: 0252 612 21 99
Cep Telefonu	: 0533 810 69 74
Servis Yetkilisi	: Barış TOPAL (kartal_hidrolik@hotmail.com)
MUĞLA / Fethiye - 2	: ÖZHAN MAKİNE
Adres	: Sanayi Sit. Cezayirli Hasan Paşa Cd. Patlangıç Mh. 400 Sk. No:24 Fethiye/MUĞLA
Telefon	: 0252 611 01 12
Faks	: 0252 611 00 11
Cep Telefonu	: 0532 305 37 99
Servis Yetkilisi	: Mustafa ŞAHAN (mustafasahanozhan@hotmail.com, ozhan.makine@gmail.com)
MUŞ	: OTO SALİH
Adres	: Sanayi Sitesi Yeni C Blok No:13-14 MUŞ
Telefon	: 0436 215 20 30
Faks	: 0436 215 20 31
Cep Telefonu	: 0532 712 19 24
Servis Yetkilisi	: Salih TEKİN (otosalihmus@mynet.com)

HİDROMEK YETKİLİ SERVİSLERİ & BÖLGE SSH'LAR

ORDU	: İŞ-MAK OTO SER. SAN TİC. LTD. ŞTİ.
Adres	: Karapınar Mh. 2. San. Sit. 17. Blok No:16 ORDU
Telefon	: 0452 234 33 16
Faks	: 0452 234 33 17
Cep Telefonu	: 0533 290 87 43
Servis Yetkilisi	: Hüseyin SAĞLAM (ismakservis@hotmail.com)
SAMSUN	: İŞ-MAK OTO SER. SAN TİC. LTD. ŞTİ.
Adres	: 19 Mayıs Sanayi Sitesi No:1 SAMSUN
Telefon	: 0362 266 81 18
Faks	: 0362 266 81 18
Cep Telefonu	: 0532 431 36 88
Servis Yetkilisi	: Mümin ERDAL (ismakservis@hotmail.com)
SİVAS	: ÖZ SİSTEM İŞ MAK. SERVİSİ
Adres	: 4 Eylül Sanayi Sitesi 11/A Blok No: 6 SİVAS
Telefon	: 0346 226 18 24
Faks	: 0346 226 12 68
Cep Telefonu	: 0532 641 61 59
Servis Yetkilisi	: Erdal GÜRBÜZ (ozsistemmakine@gmail.com)
ŞANLIURFA - 1	: FIRAT MAKİNA LTD. ŞTİ.
Adres	: Evren Sanayi Sitesi 1.Cadde 10.Sokak No:84 ŞANLIURFA
Telefon	: 0414 357 52 81
Faks	: 0414 357 54 64
Cep Telefonu	: 0532 215 24 95 - 0542 595 89 93 - 0532 740 44 42 (Yaşar ÇAVAŞ)
Servis Yetkilisi	: Mehmet ÇAVAŞ (mehmet@firatmakina.com.tr)
ŞANLIURFA - 2	: CAN-EL MAKİNA
Adres	: Evren Sanayi Sitesi 3. Cadde 23. Sokak No:2 ŞANLIURFA
Telefon	: 0414 357 57 14
Faks	: 0414 357 61 70
Cep Telefonu	: 0532 668 99 19 - 0541 425 68 49
Servis Yetkilisi	: Hacı CANBEYLİ - Hasan CANBEYLİ (canelmakina@gmail.com)
TEKİRDAĞ/ Çorlu	: HEDEF-MAK YEDEK PARÇA SAN. TİC. LTD. ŞTİ.
Adres	: E-5 Karayolu Üzeri Çorlu Çıkış 7. Km Marmaracık Mevkii Çorlu/TEKİRDAĞ
Telefon	: 0282 686 71 71
Faks	: 0282 686 71 70
Cep Telefonu	: 0532 565 78 52
Servis Yetkilisi	: Hasan KASA (hasan.kasa@hedef-makina.com)
TOKAT	: DOĞUŞ MAKİNA
Adres	: Sanayi Sitesi 41.Blok No:192 TOKAT
Telefon	: 0356 214 96 58
Faks	: 0356 212 99 19
Cep Telefonu	: 0532 550 9143
Yetkili İsmi	: Musa ÇABUK (musca60@hotmail.com)
TRABZON	: KORKMAZLAR İŞ MAKİNALARI LTD. ŞTİ.
Adres	: Rize Caddesi No:196 Pelitli / TRABZON
Telefon	: 0462 334 16 71 - 334 01 75
Faks	: 0462 334 43 84
Cep Telefonu	: 0532 435 42 59
Servis Yetkilisi	: Süleyman KORKMAZ (korkmazlarmakinahmk@gmail.com)

HİDROMEK YETKİLİ SERVİSLERİ & BÖLGE SSH'LAR

UŞAK	: BU-MAK-SAN - DURMUŞ HAYRETTİN BULUR
Adres	: 1. Eylül Sanayi Sitesi 11. Sokak No: 17 UŞAK
Telefon	: 0 276 231 43 00
Faks	: 0 276 231 53 43
Cep Telefonu	: 0 532 363 26 05
Servis Yetkilisi	: D. Hayrettin BULUR (bu-mak-san@hotmail.com)
VAN	: SAĞLAM-İŞ MAKİNALARI
Adres	: Yeni Sanayi Sitesi Ek Bloklar N/Blok No:1 VAN
Telefon	: 0432 223 00 81
Faks	: 0432 223 00 81
Cep Telefonu	: 0532 276 72 09 - 0533 347 35 39 (Hüseyin SAĞLAM)
Yetkili İsmi	: Mustafa SAĞLAM (saglam-is@hotmail.com)
YOZGAT	: ŞENER OTOMOTİV
Adres	: Sorgun Sanayi Sitesi Öz Yapı Koop. Bld. Blk. No:7-8 Sorgun/YOZGAT
Telefon	: 0354 415 92 45
Faks	: 0354 415 23 36
Cep Telefonu	: 0532 724 02 16
Servis Yetkilisi	: İsmail ŞENER (hidromek666@hotmail.com)

HİDROMEK YETKİLİ SERVİSLERİ & BÖLGE SSH'LAR

İSTANBUL ANADOLU YAKASI BÖLGE & SSH MÜDÜRLÜĞÜ

Adres	: Zümrütevler Mh. Okul Sk. No:1 Ankara Asfaltı Yan Yolu Maltepe / İSTANBUL
Telefon	: 0216 427 81 81 - 427 81 82 - 427 81 84
Faks	: 0216 427 83 83
Cep	: 0533 519 30 56 (Onur Alpaydın) - 0533 462 35 63 (Şükrü Kısakürek)

İSTANBUL BÖLGE AVRUPA YAKASI BÖLGE MÜDÜRLÜĞÜ

Adres	: EGS Business Park Blokları B3 Blok Kat:11 No:355 Yeşilköy, Bakırköy/İSTANBUL
Telefon	: 0212 465 66 88
Faks	: 0212 465 66 67
Cep	: 0532 460 30 86 (Kemal Yılmaz) - 0533 462 35 62 (Serhan Yılmaz)

İZMİR BÖLGE MÜDÜRLÜĞÜ

Adres	: Soğukkuyu Mahallesi Anadolu Caddesi No:321-C Karşıyaka/İZMİR
Telefon	: 0232 382 68 52 - 372 07 88
Faks	: 0232 382 27 36
Cep	: 0532 356 82 61 (Soner Şahin) - 0533 443 46 21 (Cihat Sidar&Hüseyin Çapkan)

İZMİR SERBEST BÖLGE MÜDÜRLÜĞÜ

Adres	: Akay Caddesi No: 144/1 Gaziemir/İZMİR
Telefon	: 0232 251 69 00 - 251 60 57
Faks	: 0232 251 01 20 - 251 66 81
Cep	: 0532 285 97 77 (Bülent Yetman)

ELAZIĞ BÖLGE & SSH MÜDÜRLÜĞÜ

Adres	: Elazığ Malatya Karayolu 17. Km. Hankendi Beldesi / ELAZIĞ
Telefon	: 0424 281 32 32
Faks	: 0424 281 20 90
Cep	: 0532 455 85 09 (Mustafa Cebeci) - 0533 462 35 65 (Levent Altınbaş)

BURSA BÖLGE MÜDÜRLÜĞÜ

Adres	: İzmir yolu üzeri Barış mah. FSM Bulvarı No: 1/132 A Nilüfer/BURSA
Telefon	: 0224 453 54 04 - 0224 453 54 05
Faks	: 0224 453 54 06
Cep	: 0532 233 31 19 (Selahattin Yücetürk)-0532 467 48 07 (Sebahattin Aslan)

KAYSERİ BÖLGE MÜDÜRLÜĞÜ

Adres	: Keykubat Mh. Osman Kavuncu Cd. Şek. Fab. Karş. No:297-F / KAYSERİ
Telefon	: 0352 332 12 31
Faks	: 0352 331 03 69
Cep	: 0533 310 44 63 (Mustafa Işık)

TARSUS BÖLGE & SSH MÜDÜRLÜĞÜ

Adres	: Atalar Mh. Cemal Gürsel Cd. (E-5 karayolu) No:111 Yenice/Tarsus/MERSİN
Telefon	: 0324 651 48 20 (3 hat)
Faks	: 0324 651 48 19
Cep	: 0532 371 49 27 (Tolga Yönet)-0532 632 76 46 (Hakan Herdem)

SAMSUN BÖLGE MÜDÜRLÜĞÜ

Adres	: 19 Mayıs Mah. Atatürk Bulvarı No:219/A Kutlukent / SAMSUN
Telefon	: 0362 266 58 23 - 25 - 26
Faks	: 0362 266 58 26
Cep	: 0533 226 43 96 (Tekin Erdal)

HİDROMEK YETKİLİ SERVİSLERİ & BÖLGE SSH'LAR

ANTALYA BÖLGE MÜDÜRLÜĞÜ

Adres	: Şafak Mahallesi Akdeniz Sanayi Sitesi 5008 Sokak No:57 / ANTALYA
Telefon	: 0242 221 54 94 – 221 54 95
Faks	: 0242 221 54 96
Cep	: 0532 607 46 11 (Serkan Aygün) – 0532 636 91 46

TRABZON BÖLGE & SSH MÜDÜRLÜĞÜ

Adres	: Yavuz Selim mah. Vatan cad. No: 2 Yeşilyalı Beldesi-ARSİN/TRABZON
Telefon	: 0462 717 60 10 – 11
Faks	: 0462 717 65 56
Cep	: 0533 462 35 60 (Hilalettin Karakaş) 0533 486 37 62

DİYARBAKIR BÖLGE MÜDÜRLÜĞÜ

Adres	: Diyarbakır-Elazığ Yolu Seyrantepe Kavşağı Atik Petrol içi DİYARBAKIR
Telefon	: 0412 238 25 25
Faks	: 0412 238 25 28
Cep	: 0533 925 98 58 (Özkan DİCLE)