

HIDROMEK®

KAZICI YÜKLEYİCİ
BACKHOE LOADER

HMK 102B ALPHA



YEDEK PARÇA KATALOĞU SPARE PARTS CATALOG

SERİ NO / SERIAL NO : B150001- REXROTH
BASKI TARİHİ / EDITION DATE : 14.10.2015
KATALOG NO / CATALOG NO : Y1012661

ÖNSÖZ

HMK 102 Serisi İş Makinasını tercih ettiğiniz için teşekkür ederiz. Bu katalog 102 serisi'nin yedek parça hizmeti için hazırlanmıştır. İyi bir servis hizmeti ve doğru parça seçimi için katalogun kapsamı ile ilgili aşağıda belirtilen açıklamaları okuyunuz ve anlayınız.

No

Gösterilen parçanın poz numarasını verir.

Parça No

Resimde gösterilen parçaların parça numarasını gösterir.

Parça Adı

Parçanın adını gösterir.

Adet

Parçanın o sayfada yer alan gruptaki kullanım adedini gösterir.

SK

Servis kodu kolonunda yer alan kısaltmaların aşağıda gösterildiği gibi kendilerine ait anlamları vardır.

K	→	Parçanın kit içinde yer aldığı anlamına gelir. Kitin içinde yer alan parçalar teker teker tedarik edilemez.
OP	→	Opsiyonel parça
NSP	→	Servis parçası değil.
S	→	Set. Set içinde yer alan parçalar teker teker tedarik edilebilir.

Başlangıç Seri No (Bas. S. N.)

Parçanın kullanıldığı makinenin başlangıç seri numarasını gösterir.

Örneğin; A19001 - → gösterilen parça A19001'den itibaren kullanılmıştır.

Bitiş Seri No (Bit. S. N.)

Parçanın kullanıldığı makinenin başlangıç seri numarasını gösterir.

Örneğin; - B040001 → gösterilen parça B040150'e kadar kullanılmıştır.

Yerine Kullanım (Y. Kul.)

Parçaların birbirleri yerine kullanılabilirliğini ifade eder.

- A → Birbirlerinin yerine kullanılabilirler. (eski parça ↔ yeni parça)
- B → Biri diğerinin yerine kullanılabilir. (eski parça → yeni parça)
- C → Biri diğerinin yerine kullanılabilir. (eski parça ← yeni parça)
- D → Birbirlerinin yerine kullanılamaz. (eski parça – yeni parça)

Not

Parçaların tanımlarında yer almayan açıklamaları gösterir.

PREFACE

We would like to thank you for purchasing HMK 102 Series Construction Equipment. This catalog has been prepared for ordering spare parts for 102 series. For satisfactory service and selection of correct part, read and understand instructions as shown below.

No

This indicates the indicating number of part.

Part No

It shows the part number of the parts which are included in an illustration.

Description

It shows the name of the part.

Q'ty

It shows the quantity use of part for the group that was illustrated on page.

SC

Abbreviations on service code column have their own meaning as show below.

- K → This means that the part is contained in the kit. Parts are given with KIT, can not be supplied individually.
- OP → Optional part
- NSP → Non service part.
- S → Set. Parts are given with set, can be supplied individually.

Serial Number From (S./N. From)

It shows the machine serial number in which the parts are used.

For example; A19001 - → the part that is shown in illustration was used from A19001.

Serial Number From (S./N. To)

It shows the machine serial number in which the parts are used.

For example; - B040001 → the part that is shown in illustration was used to B040150.

ICA

This indicates the interchangeability of the parts between a new one and old one.

- A → Mutual interchangeability (old part ↔ new part)
- B → One way interchangeability (old part → new part)
- C → One way interchangeability (old part ← new part)
- D → No interchangeability (old part – new part)

Note

It shows explanations, which are not given in description

KISALTMALAR / ABBREVIATIONS

KISALTMA/ABBREVIATION	AÇIKLAMA	DESCRIPTION
&	VE	AND
A/C		AIR CONDITIONER
A.K.V.	ANA KUMANDA VALFİ	
AM		ARM
AR		AS REQUIRED
ASS'Y		ASSEMBLY
BKT		BUCKET
BM		BOOM
BG	BULGARCA	
FR	FRANSIZCA	
HYD.		HYDRAULIC
ISP	İSPANYOLCA	
İNG	İNGİLİZCE	
JY	JOYSTICK	
K	KİT	KIT
K.M.	KAYNAKLI MONTAJ	
LH		LEFT HAND
LR		LONG REACH
LV	LEVYELİ	LEVERS
M.C.V.		MAIN CONTROL VALVE
OP	OPSİYONEL	OPTINAL
PORT	PORTEKİZCE	
REV.	REVİZYON	REVISION
RH		RIGHT HAND
RUS	RUSÇA	
S	SET	SET
STD	STANDART	STD
SW		SWING
TR	TÜRKÇE	
TRV		TRAVEL
W.A.		WELDING ASSEMBLY

İÇİNDEKİLER / CONTENTS

A	MOTOR SİSTEMİ	ENGINE SYSTEM
A010.09.01	ŞAŞI VE ŞANZİMAN MONTAJI	ENGINE & TRANSMISSION MOUNTING
A020.06.01	MOTOR KONTROL SİSTEMİ	ENGINE CONTROL SYSTEM
A030.00.01	HAVA EMİŞ SİSTEMİ	AIR INTAKE SYSTEM
A030.01.01	HAVA EMİŞ SİSTEMİ	AIR INTAKE SYSTEM
A040.00.01	EGZOZ MONTAJI	EXHAUST ASSEMBLY
A050.06.01	MOTOR SOĞUTMA SİSTEMİ	ENGINE COOLING MOUNTING
A060.00.01	RADYATÖR KOMPLESİ	RADIATOR ASSEMBLY
A070.06.01	YAKIT SİSTEMİ	FUEL SYSTEM
C070.01.01	KONSOL, ÖN	CONSOLE, FRONT
A080.02.02	KALORİFER ÜNİTESİ	HEATER UNIT
A080.04.01	ISITMA, HAVALANDIRMA SİSTEMİ	HEATING VENTING SYSTEM
A090.02.02	KLİMA ÜNİTESİ KOMPLESİ	A/C UNIT ASS'Y
A090.03.01	ISITMA, HAVALANDIRMA VE SOĞUTMA SİSTEMİ	HEATING VENTING AIR CONDITIONING SYSTEM
B	ŞAŞI VE KAPORTA	FRAME & COWLING
B010.13.01	ŞAŞI	MAIN FRAME
B010.14.01	ŞAŞI (KAZAYAK) (OP)	MAIN FRAME (WING TYPE STABILIZER) (OP)
B020.00.01	AYAK, KIZAK	STABILIZER, SIDESHIFT
B020.01.01	AYAK, (KAZAYAK)	STABILIZER, (WING TYPE STABILIZER)
B040.00.01	KIZAK PAPUCU	STABILIZER PADS
B050.00.01	DÖNÜŞ TABLASI	KINGPOST CARRIAGE
B050.01.01	DÖNÜŞ TABLASI (KAZAYAK)	KINGPOST CARRIAGE (WING TYPE STABILIZER)
B060.00.01	DÖNÜŞ KUTUSU	KINGPOST
B070.01.01	BOM KİLİDİ VE MEKANİZMASI	BOOM LOCK AND MECHANISM
B070.02.01	BOM KİLİDİ VE MEKANİZMASI (KAZAYAK)	BOOM LOCK AND MECHANISM (WING TYPE STABILIZER)
B080.01.01	KAPUT - PANEL - PANJUR - YAN KAPAK MONTAJI	BONNET - PANEL - FRONT GRILL - SIDE COVER MOUNTING
B090.03.01	ÖN TEKER VE ÇAMURLUK	FRONT WHELL AND FENDER
B090.04.01	ÇAMURLUK, ÖN	FENDER , FRONT
B100.03.01	ÇAMURLUK, ARKA	FENDER, REAR
C	KABİN	OPERATOR CAB
C010.02.01	KABİN VE BAĞLANTI TAKOZLARI	CAB & CAB MOUNTING
C020.01.01	KABİN	CABIN
C030.01.01	KAPI VE CAMLAR, SOL	DOOR AND WINDOW, LH
C040.00.01	KABİN	CABIN
C050.02.01	KABİN DONANIMI	CAB ACCESSORIES
C060.01.01	KABİN AKSESUAR KOMPLESİ	CABIN ACCESSORIES ASSEMBLY
C060.03.01	KABİN (JOYSTİK MEKANİZMALI) (OP)	CAB (JOYSTICK MECHANISM) (OP)
C070.01.01	KONSOL, ÖN	CONSOLE, FRONT
C080.01.01	KONSOL, SOL	CONSOLE, LH
C090.01.01	KONSOL, SAĞ	CONSOLE, RH
C110.01.01	JOYSTİK MEKANİZMASI, SAĞ	JOYSTICK MECHANISM, RH
C120.01.01	JOYSTİK MEKANİZMASI, SOL	JOYSTICK MECHANISM, LH
C130.01.01	DİREKSİYON KOMPLESİ	STEERING ASSEMBLY
C140.00.02	KOLTUK KOMPLESİ	SEAT ASSEMBLY
C140.01.02	KOLTUK KOMPLESİ	SAET ASSEMBLY
C140.02.01	KOLTUK MONTAJI	SEAT MOUNTING

İÇİNDEKİLER / CONTENTS

C140.03.01	KOLTUK MONTAJI, HAVA SÜSPANSİYONLU	SEAT MOUNTING, WITH AIR SUSPANSION
D	ATAÇMAN	ATTACHMENT
D010.00.01	YÜKLEYİCİ KOL MONTAJI (1)	LOADER ARM MOUNTING (1)
D010.00.02	YÜKLEYİCİ KOL MONTAJI (2)	LOADER ARM MOUNTING (2)
D010.00.03	YÜKLEYİCİ KOL MONTAJI (3)	LOADER ARM MOUNTING (3)
D020.00.01	AÇILIR KEPÇE (1.1 m3)	MULTIPORPUSE BUCKET, LOADER (1.1 m3)
D020.01.01	AÇILIR KEPÇE (1.3 m3) (OP)	MULTIPURPOSE BUCKET, LOADER (1.3 m3) (OP)
D020.02.01	AÇILIR KEPÇE (ÇABUK SÖK TAKLI) (OP)	MULTIPURPOSE BUCKET, LOADER(WITH QUICK COUPLER)(OP)
D020.03.01	AÇILIR KEPÇE (1 m3) (OP)	MULTIPORPUSE BUCKET, LOADER (1 m3) (OP)
D020.04.01	AÇILIR KEPÇE (1,2 m3) (OP)	MULTIPORPUSE BUCKET, LOADER (1,2 m3) (OP)
D030.00.01	SABİT KEPÇE (1.2 m3) (OP)	SHOVEL (1.2 m3) (OP)
D030.01.01	SABİT KEPÇE (1.5 m3) (OP)	SHOVEL (1.5 m3) (OP)
D030.02.01	BAĞLANTI MONTAJ KİTİ, YÜKLEYİCİ (KEPÇESİZ) (OP)	CONNECTION MOUNTING, LOADER (NO BUCKET) (OP)
D040.00.01	TESVİYE KÜREĞİ (716x2800) (OP)	LEVELLING BLADE (716x2800) (OP)
D040.01.01	TESVİYE KÜREĞİ (900x2800) (OP)	LEVELLING BLADE (900x2800) (OP)
D040.02.01	TESVİYE KÜREĞİ (ÇABUK SÖK TAKLI, 716x 2800) (OP)	LEVELLING BLADE WITH QUICK COUPLER (716x2800)(OP)
D040.03.01	TESVİYE KÜREĞİ (ÇABUK SÖK TAKLI, 900x 2800) (OP)	LEVELLING BLADE WITH QUICK COUPLER(900x 2800)(OP)
D040.04.01	TESVİYE KÜREĞİ (ÇİFT EKSENLİ) (OP)	LEVELLING BLADE (DOUBLE AXIS) (OP)
D050.00.01	TOMRUK YÜKLEYİCİ (2+1 TIRNAKLI) (OP)	LOG GRAPPLE (2+1 CLAMP) (OP)
D050.01.01	TOMRUK YÜKLEYİCİ, (HAREKETLİ, Ø200mm) (OP)	LOG GRAPPLE, (WITH VERTICAL MOVEMENT Ø200mm) (OP)
D050.02.01	TOMRUK YÜKLEYİCİ, (HAREKETLİ, Ø500mm)	LOG GRAPPLE, (WITH VERTICAL MOVEMENT Ø500mm)
D050.03.01	TOMRUK YÜKLEYİCİ (3+2 TIRNAKLI)	LOG GRAPPLE (3+2 CLAMP)
D060.00.01	FORKLİFT APARATI (AÇILIR KEPÇE) (OP)	FORKLIFT (MULTIPURPOSE BUCKET) (OP)
D060.01.01	FORKLİFT APARATI (SABİT KEPÇE 1.2 m3) (OP)	FORKLIFT (SHOVEL 1.2 m3) (OP)
D060.02.01	FORKLİFT APARATI (SABİT KEPÇE 1.5 m3) (OP)	FORKLIFT (SHOVEL 1.5 m3) (OP)
D070.00.01	ÇABUK SÖK TAK (YÜKLEYİCİ KEPÇE) (OP)	QUICK COUPLER (LOADER) (OP)
D080.00.01	BOM MONTAJI	BOOM MOUNTING
D090.00.01	ARM MONTAJI	ARM MOUNTING
D090.02.01	TELESKOPIK ARM MONTAJI (OP)	TELESCOPIC ARM MOUNTING (OP)
D100.00.01	KEPÇE BAĞLANTISI	BUCKET LINKAGE
D110.00.01	KEPÇE, KAZICI (300 mm)	BUCKET, BACKHOE (300 mm)
D110.01.01	KEPÇE, KAZICI (350 mm)	BUCKET, BACKHOE (350 mm)
D110.02.01	KEPÇE, KAZICI (400 mm)	BUCKET, BACKHOE (400 mm)
D110.03.01	KEPÇE, KAZICI (500 mm)	BUCKET, BACKHOE (500 mm)
D110.04.01	KEPÇE, KAZICI (600 mm)	BUCKET, BACKHOE (600 mm)
D110.05.01	KEPÇE, KAZICI (700 mm)	BUCKET, BACKHOE (700 mm)
D110.06.01	KEPÇE, KAZICI (800 mm)	BUCKET, BACKHOE (800 mm)
D110.07.01	KEPÇE, KAZICI (900 mm)	BUCKET, BACKHOE (900 mm)
D110.09.01	BAĞLANTI MONTAJ KİTİ, KAZICI (KEPÇESİZ) (OP)	CONNECTION MOUNTING, BACKHOE (NO BUCKET) (OP)
D120.00.01	DÖNERLİ KANAL KEPÇESİ (OP)	TILTING BUCKET (OP)
D130.00.01	KEPÇE, KAZICI (TRAPEZ)	BUCKET, BACKHOE (TRAPEZE)
D140.00.01	ÇABUK SÖK TAK, KAZICI (OP)	QUICK COUPLER, BACKHOE (OP)
D150.00.01	KIRICI MONTAJI (MONTABERT- SC 36) (OP)	BREAKER MOUNTING (MONTABERT- SC 36) (OP)
D150.00.02	KIRICI KOMPLESİ (MONTABERT- SC 36) (OP)	BREAKER ASSEMBLY (MONTABERT- SC 36) (OP)
D150.01.01	KIRICI MONTAJI (MONTABERT- SC 28) (OP)	BREAKER MOUNTING (MONTABERT- SC 28) (OP)

İÇİNDEKİLER / CONTENTS

D150.01.02	KIRICI KOMPLESİ (MONTABERT- SC 28) (OP)	BREAKER ASSEMBLY (MONTABERT- SC 28) (OP)
D150.04.01	KIRICI MONTAJI (DEMO DMB50) (OP)	BREAKER MOUNTING (DEMO DMB50) (OP)
D150.04.02	KIRICI KOMPLESİ (DEMO DMB50) (OP)	BREAKER ASSEMBLY (DEMO DMB50) (OP)
D150.05.01	KIRICI MONTAJI (DEMO DMB70) (OP)	BREAKER MOUNTING (DEMO DMB70) (OP)
D150.05.02	KIRICI KOMPLESİ (DEMO DMB70) (OP)	BREAKER ASSEMBLY (DEMO DMB70) (OP)
D150.06.01	KIRICI MONTAJI (LIFTON LH 360) (OP)	BREAKER MOUNTING (LIFTON LH 360) (OP)
D150.06.02	KIRICI KOMPLESİ (LIFTON LH 360) (OP)	BREAKER ASSEMBLY (LIFTON LH 360) (OP)
D150.07.01	KIRICI MONTAJI (TOKU) (OP)	BREAKER MOUNTING (TOKU) (OP)
D150.07.02	KIRICI KOMPLESİ (TOKU) (OP)	BREAKER ASSEMBLY (TOKU) (OP)
D150.08.01	KIRICI MONTAJI (MONTABERT- HKR 140) (OP)	BREAKER MOUNTING (MONTABERT-HKR 140) (OP)
D150.08.02	KIRICI KOMPLESİ (MONTABERT- HKR 140) (OP)	BREAKER ASSEMBLY (MONTABERT- HKR 140) (OP)
D150.09.01	KIRICI MONTAJI (MONTABERT- 95) (OP)	BREAKER MOUNTING (MONTABERT- 95) (OP)
D150.09.02	KIRICI KOMPLESİ (MONTABERT- 95) (OP)	BREAKER ASSEMBLY (MONTABERT- 95) (OP)
D150.10.01	KIRICI MONTAJI (DEMO S700V) (OP)	BREAKER MOUNTING (DEMO S700V) (OP)
D150.10.02	KIRICI KOMPLESİ (DEMO S700V) (OP)	BREAKER ASSEMBLY (DEMO S700V) (OP)
D160.00.01	BURGU (Ø350x1000) (OP)	AUGER (Ø350x1000) (OP)
D160.01.01	BURGU (Ø500x1300) (OP)	AUGER (Ø500x1300) (OP)
D160.02.01	BURGU (Ø610x1600) (OP)	AUGER (Ø610x1600) (OP)
D170.00.01	RİPER (OP)	RIPPER (OP)

E	GÜÇ AKTARMA SİSTEMİ	POWER TRAIN SYSTEM
E010.06.01	GÜÇ AKTARMA MONTAJI	POWER TRAIN MOUNTING
E020.00.01	TEKER VE LASTİK GRUBU, ÖN	WHELL & TIRE GROUP, FRONT
E020.01.01	TEKER VE LASTİK GRUBU, ÖN	WHELL & TIRE GROUP, FRONT
E030.01.01	TEKER VE LASTİK GRUBU, ARKA	WHEEL & TIRE GROUP, REAR
E030.02.01	TEKER VE LASTİK GRUBU, ARKA	WHEEL & TIRE GROUP, REAR
E030.03.01	TEKER VE LASTİK GRUBU, ARKA	WHEEL & TIRE GROUP, REAR
E040.04.01	ÖN AKS	FRONT AXLE
E040.04.02	ÖN AKS, AYNA MAHRUTİ	FRONT AXLE, BEVER GEAR SET
E040.04.03	ÖN AKS, ŞAFT BAĞLANTISI	FRONT AXLE, INPUT FLANGE
E040.04.04	ÖN AKS, ŞAFT DİFERANSİYEL	FRONT AXLE, DIFFERENTIAL
E040.04.05	ÖN AKS, KOVAN PARÇALARI	FRONT AXLE, AXLE CASING PARTS
E040.04.06	ÖN AKS, POYRA	FRONT AXLE, HUB
E040.04.07	ÖN AKS, PLANET DİŞLİ GRUBU	FRONT AXLE, PLANETARY DRIVE
E040.04.08	ÖN AKS, DİREKSİYON SİLİNDİRİ	FRONT AXLE, STEERING CYLINDER
E040.04.09	ÖN AKS, AKS KOVANLARI	FRONT AXLE, AXLE CASING
E040.04.10	ÖN AKS, AKS BAŞI MONTAJI	FRONT AXLE, JOINT HOUSING MOUNTING
E050.03.01	ARKA AKS	REAR AKS
E050.03.02	ARKA AKS, AYNA MAHRUTİ	REAR AXLE, BEVEL GEAR SET
E050.03.03	ARKA AKS, ŞAFT BAĞLANTISI	REAR AXLE, INPUT FLANGE
E050.03.04	ARKA AKS, DİFERANSİYEL	REAR AXLE, DIFFERENTIAL
E050.03.05	ARKA AKS, ÇOKLU DİSK FRENİ	REAR AXLE, M- DISC BRAKE
E050.03.06	ARKA AKS, AKS KOVANLARI	REAR AXLE, AXLE CASING PARTS
E050.03.07	ARKA AKS, POYRA VE PLANET DİŞLİ GRUBU	REAR AXLE, HUB AND PLANETARY DRIVE
E050.03.08	ARKA AKS, PARK FRENİ	REAR AXLE, PARK BRAKE
E050.03.09	ARKA AKS, AKS KOVAN PARÇALARI	REAR AXLE, AXLE CASING PARTS
E060.01.01	ŞANZİMAN	TRANSMISSION
E060.01.02	ŞANZİMAN, TORK KONVERTÖR (STANDART)	TRANSMISSION, TORQUE CONVERTER ARRANGMENT (STANDARD)

İÇİNDEKİLER / CONTENTS

E060.01.03	ŞANZIMAN, POMPA GRUBU	TRANSMISSION, PUMP GROUP
E060.01.04	ŞANZIMAN, TRANSMİSYON GÖVDESİ, ÖN (STANDART)	TRANSMISSION, FRONT CASING AND ANCILLIARIES (STANDARD)
E060.01.05	ŞANZIMAN, VALF GRUBU	TRANSMISSION, VALVE GROUP
E060.01.06	ŞANZIMAN, TRANSMİSYON GÖVDESİ, ARKA (STANDART)	TRANSMISSION, REAR CASING AND ANCILLIARIES (STANDARD)
E060.01.07	ŞANZIMAN, KAVRAMA DİSK GRUBU	TRANSMISSION, CLUTCH GROUP
E060.01.08	ŞANZIMAN, KAVRAMA GRUBU, ANA (STANDART)	TRANSMISSION, SHAFT GROUP - MAIN (STANDARD)
E060.01.09	ŞANZIMAN, KAVRAMA GRUBU, AVARE DİŞLİ	TRANSMISSION, SHAFT GROUP IDLER
E060.01.10	ŞANZIMAN, KAVRAMA GRUBU, GİRİŞ (STANDART)	TRANSMISSION, SHAFT GROUP INPUT (STANDARD)
E060.01.11	ŞANZIMAN, ŞAFT GRUBU, PTO (STANDART)	TRANSMISSION, SHAFT GROUP PTO (STANDARD)
E060.01.12	ŞANZIMAN, KAVRAMA GRUBU, GERİ (STANDART)	TRANSMISSION, SHAFT GROUP COUNTER (STANDARD)
E060.02.01	ŞANZIMAN (LUCK-UP)	TRANSMISSION (LUCK-UP)
E060.02.02	ŞANZIMAN, TORK KONVERTÖR (LUCK-UP)	TRANSMISSION, TORQUE CONVERTER ARRANGMENT (LUCK-UP)
E060.02.03	ŞANZIMAN, POMPA GRUBU	TRANSMISSION, PUMP GROUP
E060.02.04	ŞANZIMAN, TRANSMİSYON GÖVDESİ, ÖN (LUCK-UP)	TRANSMISSION, FRONT CASING AND ANCILLIARIES (LUCK-UP)
E060.02.05	ŞANZIMAN, VALF GRUBU	TRANSMISSION, VALVE GROUP
E060.02.06	ŞANZIMAN, TRANSMİSYON GÖVDESİ, ARKA (LUCK-UP)	TRANSMISSION, REAR CASING AND ANCILLIARIES (LUCK-UP)
E060.02.07	ŞANZIMAN, KAVRAMA DİSK GRUBU	TRANSMISSION, CLUTCH GROUP
E060.02.08	ŞANZIMAN, KAVRAMA GRUBU, ANA (LUCK-UP)	TRANSMISSION, SHAFT GROUP - MAIN (LUCK-UP)
E060.02.09	ŞANZIMAN, KAVRAMA GRUBU, AVARE DİŞLİ	TRANSMISSION, SHAFT GROUP IDLER
E060.02.10	ŞANZIMAN, KAVRAMA GRUBU, GİRİŞ (LUCK-UP)	TRANSMISSION, SHAFT GROUP INPUT (LUCK-UP)
E060.02.11	ŞANZIMAN, ŞAFT GRUBU, PTO (LUCK-UP)	TRANSMISSION, SHAFT GROUP PTO (LUCK-UP)
E060.02.12	ŞANZIMAN, KAVRAMA GRUBU, GERİ (LUCK-UP)	TRANSMISSION, SHAFT GROUP COUNTER (LUCK-UP)
E070.00.01	PARK FRENİ	PARKING BRAKE

F

HİDROLİK SİSTEM

HYDRAULIC SYSTEM

F010.02.01	HİDROLİK TANK MONTAJI	HYDRAULIC TANK MOUNTING
F020.07.01	YÜKLEYİCİ KUMANDA MEKANİZMASI (AÇILIR KEPÇE & LEVYE & TİP B)	LOADER CONTROL MECHANISM(MULTIPURPOSE BUCKET & LEVERS & TYPE B)
F020.09.01	YÜKLEYİCİ KUMANDA MEKANİZMASI (SABİT KEPÇE & LEVYE & TİP B)	LOADER CONTROL MECHANISM(SHOVEL & LEVERS & TYPE B)
F020.10.01	ÖN KUMANDA MEKANİZMASI (AÇILIR KEPÇE & JOYSTICK)(TİP B)	LOADER CONTROL MECHANISM(MULTIPURPOSE BUCKET & JOYSTICK)(TYPE B)
F020.11.01	YÜKLEYİCİ KUMANDA MEKANİZMASI (SABİT KEPÇE & JOYSTICK) (TİP B)	BACKHOE CONTROL MECHANISM (SHOVEL & JOYSTICK) (TYPE B)
F030.06.01	KAZICI KUMANDA VE MEKANİZMASI (PİSTONLU POMPA) (TİP B) (OP)	BACKHOE CONTROL & MECHANISM (PISTON PUMP) (TYPE B) (OP)
F030.07.01	KAZICI KUMANDA VE MEKANİZMASI (DİŞLİ POMPA) (TİP B) (OP)	BACKHOE CONTROL & MECHANISM (GEAR PUMP) (TYPE B) (OP)
F040.02.01	İLAVE ATAŞMAN PEDAL MONTAJI (JY) (TYPE B)	ADDITIONAL ATTACHMENT PEDAL MOUNTING (JY) (TYPE B)
F040.03.01	PEDAL MONTAJI, İLAVE ATAŞMAN (JY) (TİP B)	PEDAL MOUNTING, ADDITIONAL ATTACHMENT (JY) (TYPE B)
F040.04.01	PEDAL MONTAJI, İLAVE ATAŞMAN (LV)(TİP B)	PEDAL MOUNTING, ADDITIONAL ATTACHMENT (LV)(TYPE B)
F040.06.01	PEDAL MONTAJI, İLAVE ATAŞMAN (LV)(TİP B)	PEDAL MOUNTING, ADDITIONAL ATTACHMENT (LV)(TYPE B)
F050.33.01	HİDROLİK TESİSAT, ANA DAĞITIM (PİSTONLU POMPA & TURNER & TİP B)	HYDRAULIC PIPING, MAIN (PISTON PUMP & TURNER & TYPE B)

İÇİNDEKİLER / CONTENTS

F050.34.01	HİDROLİK TESİSAT, ANA DAĞITIM (DİŞLİ POMPA & TURNER) (TİP B)	HYDRAULIC PIPING, MAIN (GEAR PUMP & TURNER) (TYPE B)
F060.07.01	HİDROLİK TESİSAT, PİLOT (STD ARM & PİSTONLU POMPA) (TİP B) (OP)	HYDRAULIC PIPING, PILOT (STD ARM & PISTON PUMP) (TYPE B) (OP)
F060.08.01	HİDROLİK TESİSAT, PİLOT (TELESKOPIK ARM & PİSTONLU POMPA) (TİP B) (OP)	HYDRAULIC PIPING, PILOT (TELESCOPIC ARM & PISTON PUMP) (TYPE B) (OP)
F060.09.01	HİDROLİK TESİSAT, PİLOT (STD ARM & PİSTONLU POMPA & SOL EL) (TİP B) (OP)	HYDRAULIC PIPING, PILOT (STD ARM & PISTON PUMP & LEFT HAND) (TYPE B) (OP)
F060.10.01	HİDROLİK TESİSAT, PİLOT (TELESKOPIK ARM & PİSTONLU POMPA & SOL EL) (TİP B) (OP)	HYDRAULIC PIPING, PILOT (TELESCOPIC ARM & PISTON PUMP & LEFT HAND) (TYPE B) (OP)
F060.11.01	HİDROLİK TESİSAT, PİLOT (STD ARM & DİŞLİ POMPA) (TİP B) (OP)	HYDRAULIC PIPING, PILOT (STD ARM & GEAR PUMP) (TYPE B) (OP)
F060.12.01	HİDROLİK TESİSAT, PİLOT (TELESKOPIK ARM & DİŞLİ POMPA) (TİP B) (OP)	HYDRAULIC PIPING, PILOT (TELESCOPIC ARM & GEAR PUMP) (TYPE B) (OP)
F060.13.01	HİDROLİK TESİSAT, PİLOT (STD ARM & DİŞLİ POMPA & SOL EL) (TİP B) (OP)	HYDRAULIC PIPING, PILOT (STD ARM & GEAR PUMP & LEFT HAND) (TYPE B) (OP)
F060.14.01	HİDROLİK TESİSAT, PİLOT (TELESKOPIK ARM & DİŞLİ POMPA & SOL EL) (TİP B) (OP)	HYDRAULIC PIPING, PILOT (TELESCOPIC ARM & GEAR PUMP & LEFT HAND) (TYPE B) (OP)
F065.01.01	KUMANDA DEĞİŞTİRİCİ (TİP B)	PATTERN SHIFTER (TYPE B)
F070.05.01	YÜKLEYİCİ HİDROLİK TESİSATI, SABİT KEPÇE (TİP B & DİŞLİ POMPA) (OP)	LOADER HYD. PIPING, SHOVEL (TYPE B & GEAR PUMP) (OP)
F070.07.01	YÜKLEYİCİ HİDROLİK TESİSATI, AÇILIR KEPÇE (TİP B & DİŞLİ POMPA) (OP)	LOADER HYD. PIPING, MULTIPURPOSE BUCKET (TYPE B & GEAR PUMP) (OP)
F070.10.01	YÜKLEYİCİ HİDROLİK TESİSATI, MSS (TİP A & TİP B)	LOADER HYDRAULIC PIPING, MSS (TYPE A & TYPE B)
F070.15.01	YÜKLEYİCİ HİDROLİK TESİSATI, SABİT KEPÇE (TİP B & PİSTONLU POMPA) (OP)	LOADER HYD. PIPING, SHOVEL (TYPE B & PISTON PUMP) (OP)
F070.16.01	YÜKLEYİCİ HİDROLİK TESİSATI, AÇILIR KEPÇE (TİP B & PİSTONLU POMPA) (OP)	LOADER HYD. PIPING, MULTIPURPOSE BUCKET (TYPE B & PISTON PUMP) (OP)
F080.00.01	HORTUM TUTUCU SETİ (STD. ARM)	HOSE HOLDER SET (STD. ARM)
F080.01.01	HORTUM TUTUCU SETİ (TELESKOPIK) (OP)	HOSE HOLDER SET (TELESCOPIC ARM) (OP)
F080.02.01	HORTUM TUTUCU SETİ (KAZ AYAK)	HOSE HOLDER SET (WING TYPE STABILIZER)
F080.03.01	HORTUM TUTUCU SETİ (KAZ AYAK)	HOSE HOLDER SET (WING TYPE STABILIZER)
F090.00.01	HİDROLİK TESİSAT, AYAK SİLİNDİRİ	HYD. PIPING, STABILIZER CYLINDER
F090.01.01	HİDROLİK TESİSAT, AYAK SİLİNDİRİ (KİLİT VALFLİ) (OP)	HYD. PIPING, STABILIZER CYLINDER (WITH SAFETY LOCKING VALVE) (OP)
F090.02.01	HİDROLİK TESİSATI, AYAK SİLİNDİRİ (KAZ AYAK)	HYDRAULIC PIPING, RAM, STABILIZER (WING TYPE)
F090.03.01	HİDROLİK TESİSATI, AYAK SİLİNDİRİ (KAZ AYAK)	HYDRAULIC PIPING, RAM, STABILISER (WING TYPE)
F090.04.01	HİDROLİK TESİSAT, AYAK SİLİNDİRİ (TİP B)	HYDRAULIC PIPING, STABILIZER CYLINDER (TYPE B)
F100.01.01	HİDROLİK TESİSATI, SIKMA PİSTONU (TİP B)	HYDRAULIC PIPING, HYDROCLAMP (TYPE B)
F110.01.01	HİDROLİK TESİSAT, DÖNÜŞ SİLİNDİRİ (KAZ AYAK)	HYD. PIPING, SWING CYLINDER (WING TYPE STABILIZER)
F110.02.01	HİDROLİK TESİSAT, DÖNÜŞ SİLİNDİRİ (TİP B)	HYDRAULIC PIPING, SWING CYLINDER (TYPE B)
F120.02.01	KAZICI HİDROLİK TESİSATI, BOM SİLİNDİRİ (KAZ AYAK)	BACKHOE HYDRAULIC PIPING, BOOM CYLINDER (WING TYPE STABILIZER)
F120.03.01	KAZICI HİDROLİK TESİSATI, BOM SİLİNDİRİ (EMNİYET VALFLİ, KAZ AYAK)	BACKHOE HYD. PIPING, BOOM CYLINDER (WITH SAFETY LOCK VALVE, WING TYPE STABILIZER)
F120.06.01	KAZICI HİDROLİK TESİSATI, BOM SİLİNDİRİ (TİP B)	BACKHOE HYDRAULIC PIPING, BOOM CYLINDER (TYPE B)
F130.02.01	KAZICI HİDROLİK TESİSATI, ARM SİLİNDİRİ (KAZ AYAK)	BACKHOE HYDRAULIC PIPING, ARM CYLINDER (WING TYPE STABILIZER)
F130.06.01	KAZICI HİDROLİK TESİSATI, ARM SİLİNDİRİ (TİP B)	BACKHOE HYDRAULIC SYSTEM, ARM CYLINDER (TYPE B)
F140.02.01	KAZICI HİDROLİK TESİSATI, KEPÇE SİLİNDİRİ (TELESKOPIK) (TİP B)	BACKHOE HYDRAULIC PIPING, BUCKET CYLINDER (TELESCOPIC) (TYPE B)
F140.03.01	KAZICI HİDROLİK TESİSATI, KEPÇE SİLİNDİRİ (KAZ AYAK & TİP B)	HYD. PIPING, BUCKET CYLINDER (WING TYPE STABILIZER & TYPE B) (OP)

İÇİNDEKİLER / CONTENTS

F140.04.01	KAZICI HİDROLİK TESİSATI, KEPÇE SİLİNDİRİ (KAZ AYAK, TELESKOPIK BOM) (TİP B)	BACKHOE HYD.PIPING,BUCKET CYLINDER(WING TYPE STABILIZER,TELESCOP.BOOM)(TYPE B)
F140.06.01	KAZICI HİDROLİK TESİSATI, KEPÇE SİLİNDİRİ (TİP B)	BACKHOE HYDRAULIC PIPING, BUCKET CYLINDER (TYPE B)
F150.03.01	TEK ETKİLİ HİDROLİK TESİSATI (KIRICI & STD.ARM) (TİP B)	SINGLE ACTING HYDRAULIC PIPING (BREAKER & STD.ARM) (TYPE B)
F150.04.01	TEK ETKİLİ HİDROLİK TESİSATI (KIRICI & STD. ARM & LEVYE & KAZAYAK) (TİP B) (OP)	SINGLE ACTING HYD. PIPING(BREAKER & STD. ARM & LEVERS & WING TYPE)(TYPE B)(OP)
F150.05.01	TEK ETKİLİ HİDROLİK TESİSATI (KIRICI & STD.ARM & JY) (TİP B)	SINGLE ACTING HYDRAULIC PIPING (BREAKER & STD.ARM & JY) (TYPE B)
F150.06.01	TEK ETKİLİ HİDROLİK TESİSATI (KIRICI & STD. ARM & JY & KAZAYAK) (TİP B) (OP)	SINGLE ACTING HYD. PIPING(BREAKER & STD. ARM & JY & WING TYPE)(TYPE B)(OP)
F150.07.01	TEK ETKİLİ HİDROLİK TESİSATI (KIRICI & STD. ARM & JY & MAFSALLI BOM) (TİP B)	SINGLE ACTING HYD. PIPING (BREAKER & STD.ARM & JY & ARTICULATED BOOM)(TYPE B)
F150.08.01	TEK ETKİLİ HİDROLİK TESİSATI (KIRICI & TELESKOPIK) (TİP B) (OP)	SINGLE ACTING HYDRAULIC PIPING (BREAKER & TELESCOPIC) (TYPE B) (OP)
F150.09.01	TEK ETKİLİ HİDROLİK TESİSATI (KIRICI & TELESKOPIK & KAZAYAK) (TİP B)	SINGLE ACTING HYDRAULIC PIPING (BREAKER & TELESCOPIC & WING TYPE) (TYPE B)
F160.04.01	ÇİFT ETKİLİ HİD.TESİSATI,BURGU/DÖNER KEPÇE & KIRICI(STD.ARM,LEVYE)(TİP B)(OP)	DOUBLE ACTING HYD.PIPING,AUGER/TILTING BUCKET & BREAKER(STD.ARM,LEVERS)(TYPE B)
F160.05.01	ÇİFT ETKİLİ HİDR.TESİSATI(BURGU/DÖNER KEPÇE&KIRICI&TELESKOPIK ARM&LV&TİP B)	DOUBLE ACTING HYD.PIPING(AUGER/TILTING BUCKET&BREAKER&TEL.ARM&LEVERS&TYPE B)
F160.07.01	ÇİFT ETKİLİ HİDR.TESİSATI,BURGU/DÖNER KEPÇE&KIRICI(TEL.ARM&JOYSTİK&TİP B)	DOUBLE ACTING HYD.PIPING,AUGER/TILTING BUCKET&BREAKER(TELESCOPIC ARM&JY&TYPE B)
F180.00.01	HİDROLİK, EL KIRICISI (OP)	HYDRAULIC, HAND BREAKER (OP)
F190.02.01	HİDROLİK TESİSAT, DİFERANSİYEL KİLİDİ	HYDRAULIC PIPING, DIFFERENTIAL LOCK
F210.01.01	TABLA KAYDIRMA HİDROLİĞİ (OP)	POWER SLIDER HYDRAULIC (OP)

G	HİDROLİK KOMPONENTLER	HYDRAULIC COMPONENTS
G010.01.01	DİŞLİ POMPA	GEAR PUMP
G020.00.01	PİSTONLU POMPA	PISTON PUMP
G030.01.01	YÜKLEYİCİ KUMANDA VALFİ (SABİT KEPÇE, LS-TİP B)	LOADER CONTROL VALVE (GP BUCKET, LS-TYPE B)
G030.01.02	YÜKLEYİCİ KUMANDA VALFİ- GİRİŞ BLOĞU (TİP B)	LOADER CONTROL VALVE-INLET BLOCK (TYPE B)
G030.01.03	YÜKLEYİCİ KUMANDA VALFİ- KALDIRICI SİLİNDİR, KONTROL BLOĞU (TİP B)	LOADER CONTROL VALVE- LIFT CYLINDER CONTROL BLOCK (TYPE B)
G030.01.04	YÜKLEYİCİ KUMANDA VALFİ- ARM SİLİNDİR KONTROL, BLOĞU (TİP B)	LOADER CONTROL VALVE- ARM CYLINDER CONTROL BLOCK (TYPE B)
G030.01.05	YÜKLEYİCİ KUMANDA VALFİ- AÇILIR KEPÇE SİLİNDİRİ, KONTROL BLOĞU(TİP B)	LOADER CONTROL VALVE- CLAMSHOVEL RAM CONTROL BLOCK (TYPE B)
G030.01.06	YÜKLEYİCİ KUMANDA VALFİ- ÇIKIŞ BLOĞU (TİP B)	LOADER CONTROL VALVE- OUTLET BLOCK (TYPE B)
G030.02.01	YÜKLEYİCİ KUMANDA VALFİ, SABİT KEPÇE (PB-TİP B)	LOADER CONTROL VALVE, MECHANIC (PB-TYPE B)
G030.02.02	YÜKLEYİCİ KUMANDA VALFİ- ARM SİLİNDİR KONTROL, BLOĞU (TİP B)	LOADER CONTROL VALVE- ARM CYLINDER CONTROL BLOCK (TYPE B)
G030.02.03	YÜKLEYİCİ KUMANDA VALFİ- ÇIKIŞ BLOĞU (TİP B)	LOADER CONTROL VALVE- OUTLET BLOCK (TYPE B)
G030.02.04	YÜKLEYİCİ KUMANDA VALFİ- GİRİŞ BLOĞU (TİP B-PB)	LOADER CONTROL VALVE-INLET BLOCK (TYPE B-PB)
G030.02.05	YÜKLEYİCİ KUMANDA VALFİ- KALDIRICI SİLİNDİR, KONTROL BLOĞU (TİP B)	LOADER CONTROL VALVE- LIFT CYLINDER CONTROL BLOCK (TYPE B)
G030.02.06	YÜKLEYİCİ KUMANDA VALFİ- AÇILIR KEPÇE SİLİNDİRİ, KONTROL BLOĞU(TİP B)	LOADER CONTROL VALVE- CLAMSHOVEL RAM CONTROL BLOCK (TYPE B)
G040.02.01	KAZICI KUMANDA VALFİ, JOYSTİCK (PİSTONLU POMPA & TİP B, FS)	BACKHOE CONTROL VALVE, JOYSTICK (PISTON PUMP & TYPE B, FS)
G040.02.02	KAZICI KUMANDA VALFİ- GİRİŞ BLOĞU (TİP B)	BACKHOE CONTROL VALVE-INLET BLOCK (TYPE B)

İÇİNDEKİLER / CONTENTS

G040.02.03	KAZICI KUMANDA VALFİ- ÇIKIŞ BLOĞU (TİP B)	BACKHOE CONTROL VALVE -OUTLET BLOCK (TYPE B)
G040.02.04	KAZICI KUMANDA VALFİ ARM KONTROL BLOĞU, JOYSTICK (TİP B)	BACKHOE CONTROL VALVE ARM CONTROL BLOCKS, JOYSTICK (TYPE B)
G040.02.05	KAZICI KUMANDA VALFİ- DÖNÜŞ SİLİNDİRİ KONTROL BLOĞU, JOYSTICK (TİP B)	BACKHOE CONTROL VALVE-SLEW SWING RAM CONTROL BLOCK, JOYSTICK (TYPE B)
G040.02.06	KAZICI KUMANDA VALFİ- AYAK SİLİNDİRİ KONTROL BLOĞU, JOYSTICK (TİP B)	BACKHOE CONTROL VALVE-STABILIZER RAM CONTROL BLOCK, JOYSTICK (TYPE B)
G040.02.07	KAZICI KUMANDA VALFİ- KIVIRICI SİLİNDİR KONTROL BLOĞU, JOYSTICK (TİP B)	BACKHOE CONTROL VALVE BUCKET RAM CONTROL BLOCK, JOYSTICK (TYPE B)
G040.02.08	KAZICI KUMANDA VALFİ BOM KONTROL BLOĞU, JOYSTICK (TİP B)	BACKHOE CONTROL VALVE BOOM CONTROL BLOCKS, JOYSTICK (TYPE B)
G040.02.09	KAZICI KUMANDA VALFİ TELESKOPIK KONTROL BLOĞU, JOYSTICK (TİP B)	BACKHOE CONTROL VALVE TELESCOPIC CONTROL BLOCKS, JOYSTICK (TYPE B)
G040.03.01	KAZICI KUMANDA VALFİ, LEVYELİ (DİŞLİ POMPA & TİP B)	BACKHOE CONTROL VALVE, LEVERS (GEAR PUMP & TYPE B)
G040.03.02	TELESKOPIK SİLİNDİR KONTROL BLOĞU, LEVYELİ (DİŞLİ POMPA & TİP B)	TELESCOPIC RAM CONTROL BLOCK, LEVERS (GEAR PUMP & TYPE B)
G040.03.03	AYAK SİLİNDİRİ KONTROL BLOĞU, LEVYELİ (DİŞLİ POMPA & TİP B)	STABILIZER RAM CONTROL BLOCK, LEVERS (GEAR PUMP & TYPE B)
G040.03.04	KAZICI KUMANDA VALFİ ÇIKIŞ BLOĞU, LEVYELİ (DİŞLİ POMPA & TİP B)	BACKHOE CONTROL VALVE OUTLET BLOCK, LEVERS (GEAR PUMP & TYPE B)
G040.03.05	KAZICI KUMANDA VALFİ GİRİŞ BLOĞU, LEVYELİ (DİŞLİ POMPA & TİP B)	BACKHOE CONTROL VALVE INLET BLOCK, LEVERS (GEAR PUMP & TYPE B)
G040.03.06	DEVİRİCİ SİLİNDİR KONTROL BLOĞU, LEVYELİ (DİŞLİ POMPA & TİP B)	DIPPER RAM CONTROL BLOCK, LEVERS (GEAR PUMP & TYPE B)
G040.03.07	KALDIRICI SİLİNDİR KONTROL BLOĞU, LEVYELİ (DİŞLİ POMPA & TİP B)	LIFT RAM CONTROL BLOCK, LEVERS (GEAR PUMP & TYPE B)
G040.03.08	KIVIRICI SİLİNDİR KONTROL BLOĞU, LEVYELİ (DİŞLİ POMPA & TİP B)	BUCKET RAM CONTROL BLOCK, LEVERS (GEAR PUMP & TYPE B)
G040.03.09	DÖNÜŞ SİLİNDİRİ KONTROL BLOĞU, LEVYELİ (DİŞLİ POMPA & TİP B)	SLEW SWING RAM CONTROL BLOCK, LEVERS (GEAR PUMP & TYPE B)
G040.06.01	KAZICI KUMANDA VALFİ, JOYSTICK (DİŞLİ POMPA & TİP B, FS)	BACKHOE CONTROL VALVE, JOYSTICK (GEAR PUMP & TYPE B, FS)
G040.06.02	KAZICI KUMANDA VALFİ- GİRİŞ BLOĞU (TİP B)	BACKHOE CONTROL VALVE-INLET BLOCK (TYPE B)
G040.06.03	KAZICI KUMANDA VALFİ- ÇIKIŞ BLOĞU (TİP B)	BACKHOE CONTROL VALVE -OUTLET BLOCK (TYPE B)
G040.06.04	KAZICI KUMANDA VALFİ-ARM KONTROL BLOĞU, JOYSTICK (TİP B)	BACKHOE CONTROL VALVE-ARM CONTROL BLOCKS, JOYSTICK(TYPE B)
G040.06.05	KAZICI KUMANDA VALFİ- DÖNÜŞ SİLİNDİRİ KONTROL BLOĞU, JOYSTICK (TİP B)	BACKHOE CONTROL VALVE-SLEW SWING RAM CONTROL BLOCK, JOYSTICK (TYPE B)
G040.06.06	KAZICI KUMANDA VALFİ- AYAK SİLİNDİRİ KONTROL BLOĞU, JOYSTICK (TİP B)	BACKHOE CONTROL VALVE-STABILIZER RAM CONTROL BLOCK, JOYSTICK (TYPE B)
G040.06.07	KAZICI KUMANDA VALFİ- KIVIRICI SİLİNDİR KONTROL BLOĞU, JOYSTICK (TİP B)	BACKHOE CONTROL VALVE BUCKET RAM CONTROL BLOCK, JOYSTICK (TYPE B)
G040.06.08	KAZICI KUMANDA VALFİ BOM KONTROL BLOĞU, JOYSTICK (TİP B)	BACKHOE CONTROL VALVE BOOM CONTROL BLOCKS, JOYSTICK (TYPE B)
G040.06.09	KAZICI KUMANDA VALFİ TELESKOPIK KONTROL BLOĞU, JOYSTICK (TİP B)	BACKHOE CONTROL VALVE TELESCOPIC CONTROL BLOCKS, JOYSTICK (TYPE B)
G040.07.01	KAZICI KUMANDA VALFİ, LEVYELİ (PİSTONLU POMPA & TİP B)	BACKHOE CONTROL VALVE, LEVERS (PISTON PUMP & TYPE B)
G040.07.02	TELESKOPIK SİLİNDİR KONTROL BLOĞU, LEVYELİ (PİSTONLU POMPA & TİP B)	TELESCOPIC RAM CONTROL BLOCK, LEVERS (PISTON PUMP & TYPE B)
G040.07.03	AYAK SİLİNDİRİ KONTROL BLOĞU, LEVYELİ (PİSTONLU POMPA & TİP B)	STABILIZER RAM CONTROL BLOCK, LEVERS (PISTON PUMP & TYPE B)
G040.07.04	KAZICI KUMANDA VALFİ ÇIKIŞ BLOĞU, LEVYELİ (PİSTONLU POMPA & TİP B)	BACKHOE CONTROL VALVE OUTLET BLOCK, LEVERS (PISTON PUMP & TYPE B)
G040.07.05	KAZICI KUMANDA VALFİ GİRİŞ BLOĞU, LEVYELİ (PİSTONLU POMPA & TİP B)	BACKHOE CONTROL VALVE INLET BLOCK, LEVERS (PISTON PUMP & TYPE B)
G040.07.06	DEVİRİCİ SİLİNDİR KONTROL BLOĞU, LEVYELİ (PİSTONLU POMPA & TİP B)	DIPPER RAM CONTROL BLOCK, LEVERS (PISTON PUMP & TYPE B)

İÇİNDEKİLER / CONTENTS

G040.07.07	KALDIRICI SİLİNDİR KONTROL BLOĞU, LEVYELİ (PİSTONLU POMPA & TİP B)	LIFT RAM CONTROL BLOCK, LEVERS (PISTON PUMP & TYPE B)
G040.07.08	KIVIRICI SİLİNDİR KONTROL BLOĞU, LEVYELİ (PİSTONLU POMPA & TİP B)	BUCKET RAM CONTROL BLOCK, LEVERS (PISTON PUMP & TYPE B)
G040.07.09	DÖNÜŞ SİLİNDİRİ KONTROL BLOĞU, LEVYELİ (PİSTONLU POMPA & TİP B)	SLEW SWING RAM CONTROL BLOCK, LEVERS (PISTON PUMP & TYPE B)
G060.00.01	JOYSTICK KUMANDA, SAĞ (OP)	REMOTE CONTROL VALVE, RIGHT (OP)
G070.00.01	JOYSTICK KUMANDA, SOL (OP)	REMOTE CONTROL VALVE, LEFT (OP)
G080.00.01	KALDIRICI SİLİNDİR, YÜKLEYİCİ, SAĞ	LIFT CYLINDER, LOADER, RH
G100.00.01	KEPÇE SİLİNDİRİ, YÜKLEYİCİ, SAĞ	BUCKET CYLINDER, LOADER, RH
G110.00.01	KEPÇE SİLİNDİRİ, YÜKLEYİCİ, SOL	BUCKET CYLINDER, LOADER, LH
G120.00.01	AÇILIR KEPÇE SİLİNDİRİ	MULTIPURPOSE BUCKET CYLINDER
G130.00.01	AYAK SİLİNDİRİ, SAĞ	STABILIZER CYLINDER, RH
G130.01.01	AYAK SİLİNDİRİ, SAĞ (KAZ AYAK)	STABILIZER CYLINDER, RH (WING TYPE)
G140.00.01	AYAK SİLİNDİRİ, SOL	STABILIZER CYLINDER, LH
G140.01.01	AYAK SİLİNDİRİ, SOL (KAZ AYAK)	STABILIZER CYLINDER, LH (WING TYPE)
G150.00.01	DÖNÜŞ SİLİNDİRİ	SWING CYLINDER
G160.00.01	BOM SİLİNDİRİ, KAZICI	BOOM CYLINDER, BACKHOE
G170.00.01	ARM SİLİNDİRİ, KAZICI	ARM CYLINDER, BACKHOE
G180.00.01	KEPÇE SİLİNDİRİ, KAZICI	BUCKET CYLINDER, BACKHOE
G180.01.01	KEPÇE SİLİNDİRİ, KAZICI, TELESKOPIK (OP)	BUCKET CYLINDER, BACKHOE, TELESCOPIC, (OP)
G190.00.01	TELESKOPIK SİLİNDİR, KAZICI (OP)	TELESCOPIC CYLINDER, BACKHOE, (OP)
G200.00.01	ÇABUK SÖK- TAK SİLİNDİRİ, KAZICI (OP)	QUICK COUPLER CYLINDER, BACKHOE (OP)
G210.00.01	TESVİYE KÜREĞİ SİLİNDİRİ (OP)	LEVELLING BLADE CYLINDER, (OP)
G220.00.01	TESVİYE KÜREĞİ SİLİNDİRİ (ÇİFT EKSENLİ) SAĞ (OP)	LEVELLING BLADE CYLINDER (DOUBLE AXIS) RH (OP)
G220.00.02	TESVİYE KÜREĞİ SİLİNDİRİ (ÇİFT EKSENLİ) SOL (OP)	LEVELLING BLADE CYLINDER (DOUBLE AXIS) LH (OP)
G220.00.03	TESVİYE KÜREĞİ SİLİNDİRİ (ÇİFT EKSENLİ) MERKEZ (OP)	LEVELLING BLADE CYLINDER (DOUBLE AXIS) CENTER (OP)
G230.00.01	TOMRUK YÜKLEYİCİ SİLİNDİRİ (OP)	LOG GRAPPLE CYLINDER (OP)
G240.00.01	TOMRUK YÜKLEYİCİ SİLİNDİRİ (HAREKETLİ) (OP)	LOG GRAPPLE CYLINDER (WITH VERTICAL MOVEMENT) (OP)
G250.00.01	DÖNERLİ KANAL KEPÇESİ SİLİNDİRİ (OP)	TILTING BUCKET CYLINDER (OP)
G265.01.01	ARM SİLİNDİRİ, KAZICI	ARM CYLINDER, BACKHOE
G265.02.01	ARM SİLİNDİRİ, KAZICI	ARM CYLINDER, BACKHOE
G270.00.01	TABLA KAYDIRMA SİLİNDİRİ, DIŞ (OP)	POWER SLIDER CYLINDER, OUTER (OP)
G270.00.02	TABLA KAYDIRMA SİLİNDİRİ, İÇ (OP)	POWER SLIDER CYLINDER, INNER (OP)
G280.00.01	ÇEKİCİ KANCA SİLİNDİRİ	TOW HOOK CYLINDER
G290.00.01	PILOT BESLEME BLOĞU (ORANSAL VALFLİ)	PILOT SUPPLY BLOCK (WITH PROPORTIONAL VALVE)
G300.00.01	SARSINTISIZ YÜRÜYÜŞ VALFİ, MSS	MSS, VALVE
G310.00.01	VALF, KUMANDA DEĞİŞTİRİCİ	VALVE, PATTERN SHIFTER
H	DİREKSİYON SİSTEMİ	STEERING SYSTEM
H010.00.01	HİDROLİK TESİSAT, DİREKSİYON (DİŞLİ POMPA) JD	HYDRAULIC PIPING, STEERING (GEAR PUMP) JD
H010.03.01	HİDROLİK TESİSAT, DİREKSİYON (PİSTONLU POMPA)	HYDRAULIC PIPING, STEERING (PISTON PUMP)
J	FREN SİSTEMİ	BRAKE SYSTEM
J010.10.01	HİDROLİK TESİSAT, FREN (DİŞLİ POMPA)	HYDRAULIC PIPING, BRAKE (GEAR PUMP)
J010.08.01	HİDROLİK TESİSAT, FREN (PİSTONLU POMPA)	HYDRAULIC PIPING, BRAKE (PISTON PUMP)
K	ELEKTRİK SİSTEMİ	ELECTRICAL SYSTEM

İÇİNDEKİLER / CONTENTS

K010.08.01	KABİN ELEKTRİĞİ (1)	CAB ELECTRIC (1)
K010.09.01	KABİN ELEKTRİĞİ (1) (KAZ AYAK)	CAB ELECTRIC (1) (WING TYPE)
K010.01.02	KABİN ELEKTRİĞİ (2)	CAB ELECTRIC (2)
K010.01.03	KABİN ELEKTRİĞİ (3)	CAB ELECTRIC (3)
K010.00.04	KABİN ELEKTRİĞİ (4)	CAB ELECTRIC (4)
K010.02.06	KABİN ELEKTRİĞİ (6)	CAB ELECTRIC (6)
K010.02.07	KABİN ELEKTRİĞİ (7)	CAB ELECTRIC (7)
K010.00.08	KABİN ELEKTRİĞİ (8)	CAB ELECTRIC (8)
K020.16.01	ELEKTRİK (1)	ELECTRIC (1)
K020.17.01	ELEKTRİK (1) (KAZ AYAK)	ELECTRIC (1) (WING TYPE STABILIZER)
K030.00.01	TESVİYE KÜREĞİ (ÇİFT EKSENLİ) KABLO TESİSATI (OP)	LEVELLING BLADE (WITH TWO AXIS TURN) HARNESS (OP)
K050.02.01	SMARTLINK (PİSTONLU POMPA) (OP)	SMARTLINK (PISTON PUMP) (OP)
K050.03.01	SMARTLINK (DİŞLİ POMPA) (OP)	SMARTLINK (GEAR PUMP) (OP)

Y DİĞERLERİ (ETİKET, AVADANLIK)

OTHERS (DECAL, TOOLS)

Y010.00.02	ETİKETLER, UYARI	DECALS, WARNING
Y010.04.01	ETİKET VE LEVHALAR (1)	DECAL AND PLATES (1)
Y020.66.01	ETİKET VE LEVHALAR (TÜRKÇE) (2)	DECAL AND PLATES (TR) (2)
Y020.67.01	ETİKET VE LEVHALAR (İNGİLİZCE) (2)	DECAL AND PLATES (EN) (2)
Y020.68.01	ETİKET VE LEVHALAR (FRANSIZCA) (2)	DECAL AND PLATES (FR) (2)
Y020.69.01	ETİKET VE LEVHALAR (ES) (2)	DECAL AND PLATES (ES) (2)
Y020.70.01	ETİKET VE LEVHALAR (RUSÇA) (2)	DECAL AND PLATES (RU) (2)
Y020.71.01	ETİKET VE LEVHALAR (PORTEKİZCE) (2)	DECAL AND PLATES (PT) (2)
Y020.72.01	ETİKET VE LEVHALAR (BULGARCA) (2)	DECAL AND PLATES (BG) (2)
Y030.00.01	ETİKET VE LEVHALAR, KIRICI	DECAL AND PLATES, BREAKER
Y040.00.03	AVADANLIK TAKIMI	TOOL KIT

Z MOTOR PARÇALARI

ENGINE PARTS

Z010.04.01	MOTOR (JD)	ENGINE
Z020.04.01	KÜLBÜTÖR KAPAĞI	VALVE COVER
Z020.04.02	SİLİNDİR KAPAĞI	CYLINDER HEAD AND GASKET
Z020.04.03	CIVATA- SİLİNDİR KAPAĞI	SCREW- CYLINDER HEAD
Z020.04.04	SİLİNDİR BLOĞU, KRANK MİLİ ANA YATAĞI VE KAM MİLİ	CYLINDER BLOCK, MAIN BEARINGS CAPS AND CAMSHAFT
Z020.04.05	KRANK MİLİ VE ANA YATAĞI	CRANKSHAFT AND MAIN BEARINGS
Z020.04.06	PİSTON, BİYEL KOLU, SİLİNDİR GÖMLEĞİ	PISTON, CONNECTING ROD, CYLINDER LINER
Z020.04.07	KÜLBÜTÖR KOLU, KÜLBÜTÖR MİLİ VE SUBAP İTECEĞİ	ROCKER ARM, ROCKER ARM SHAFT AND CAM FOLLOWER
Z020.04.08	ZAMANLAMA DİŞLİLERİ KAPAĞI, SU DEVİRDAİM POMPASI VE ALT AVARE DİŞLİ	TIMING GEAR COVER, WATER PUMP AND CRANKSHAFT LOWER IDLER GEAR
Z020.04.09	ÖN ROLANTİ DİŞLİ SİSTEMİ (ALT VE ÜST)	FRONT PLATE AND IDLE GEARS (UPPER AND LOWER)
Z020.04.10	VOLAN MUHAFAZASI	FLYWEEL HOUSING
Z020.04.11	VOLAN	FLYWEEL
Z020.04.12	KRANK MİLİ KASNAĞI	CRANKSHAFT PULLEY
Z020.04.13	YARDIMCI KASNAK	CRANKSHAFT PULLEY
Z020.04.14	YARDIMCI KASNAK KAPAĞI	CRANKSHAFT PULLEY
Z020.04.15	KAYIŞ GERDİRİCİ	CRANKSHAFT PULLEY
Z020.04.16	DENGELEME ŞAFTI	BALANCER SHAFT
Z020.04.17	MOTOR CONTA, KİTİ	BALANCER SHAFT
Z020.04.18	CONTA KİTİ- SİLİNDİR KAPAĞI/ YAĞ KARTERİ	BALANCER SHAFT

İÇİNDEKİLER / CONTENTS

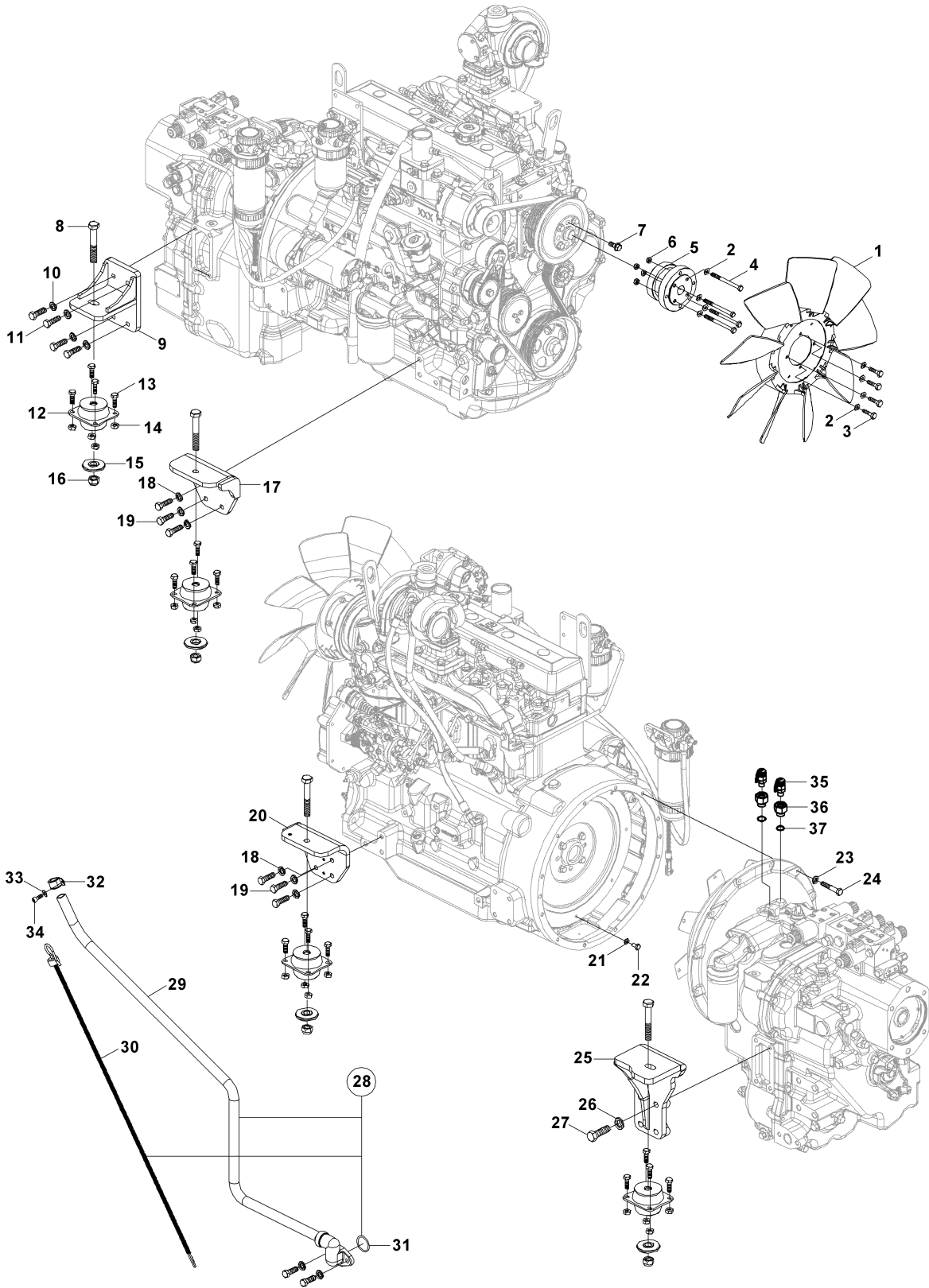
Z020.04.19	CONTA KİTİ- SİLİNDİR KAPAĞI	BALANCER SHAFT
Z030.04.01	YAĞ KARTERİ	OIL PAN
Z030.04.02	YAĞ DOLDURMA BORUSU- SAĞ TARAF	OIL FILLER NECK- RIGHT HAND SIDE
Z030.04.03	YAĞ KONTROL ÇUBUĞU VE BORUSU	ENGINE OIL DIPSTICK
Z030.04.04	YAĞ POMPASI	OIL PUMP
Z030.04.05	YAĞ SOĞUTUCU	OIL COOLER
Z030.04.06	HAVALANDIRMA SİSTEMİ	VENTILATING SYSTEM
Z030.04.07	YAĞ FİLTRESİ VE FİLTRE KAFASI	OIL FILTER AND FILTER HEAD
Z040.04.01	FAN KASNAĞI	FAN PULLEY
Z040.04.02	FAN TAHRİKİ	FAN DRIVE
Z040.04.03	FAN KAYIŞI	FAN BELT
Z040.04.04	TERMOSTAT KAPAĞI	THERMOSTAT COVER
Z040.04.05	TERMOSTAT	THERMOSTAT
Z040.04.06	SU POMPASI EMİŞ BORUSU	WATER PUMP INLET
Z040.04.07	SU POMPASI KASNAĞI	WATER PUMP PULLEY
Z050.04.01	YAKIT PÜSKÜRTME POMPASI	FUEL INJECTION PUMP
Z050.04.02	ÖN YAKIT FİLTRESİ	PRIMARY FUEL FILTER
Z050.04.03	ANA YAKIT FİLTRESİ	FINAL FUEL FILTER
Z050.04.04	YAKIT TRANSFER POMPASI	FUEL TRANSFER PUMP
Z060.04.01	YAĞ BASINÇ MÜŞÜRÜ	OIL PRESSURE SWITCH
Z060.04.02	SU HARARET MÜŞÜRÜ	TEMPERATURE SWITCH
Z060.04.03	MARŞ MOTORU	STARTING MOTOR
Z060.04.04	ALTERNATÖR	ALTERNATOR
Z060.04.05	ALTERNATÖR BAĞLANTILARI	ALTERNATOR BRACKETS
Z060.04.06	MOTOR SOĞUTMA SIVISI ISITICISI	ENGINE COOLANT HEATER
Z060.04.07	HAVA ÖN ISITMA KİTİ	COLD WEATHER STARTING AIDS
Z060.04.08	DEVİR SENSÖRÜ BAĞLANTISI	ELECTRONIC TACH DRIVE
Z070.04.01	TÜRBOŞARJ VE YAĞ BORULARI	TURBOCHARGER AND OIL LINES
Z070.04.02	EGSOZ MANİFOLDU	EXHAUST MANIFOLD
Z070.04.03	EMME MANİFOLDU	INTAKE MANIFOLD

A - MOTOR SİSTEMİ

A - ENGINE SYSTEM

Sayfa No / Page No	Sayfa Adı	Page Name	Revizyon / Revision
A010.09.01	ŞAŞI VE ŞANZİMAN MONTAJI	ENGINE & TRANSMISSION MOUNTING	
A020.06.01	MOTOR KONTROL SİSTEMİ	ENGINE CONTROL SYSTEM	
A030.00.01	HAVA EMİŞ SİSTEMİ	AIR INTAKE SYSTEM	
A030.01.01	HAVA EMİŞ SİSTEMİ	AIR INTAKE SYSTEM	
A040.00.01	EGZÖZ MONTAJI	EXHAUST ASSEMBLY	
A050.06.01	MOTOR SOĞUTMA SİSTEMİ	ENGINE COOLING MOUNTING	
A060.00.01	RADYATÖR KOMPLESİ	RADIATOR ASSEMBLY	
A070.06.01	YAKIT SİSTEMİ	FUEL SYSTEM	
A080.02.01	KONSOL, ÖN	CONSOLE, FRONT	
A080.02.02	KALORİFER ÜNİTESİ	HEATER UNIT	
A080.04.01	ISITMA, HAVALANDIRMA SİSTEMİ	HEATING VENTING SYSTEM	
A090.02.02	KLİMA ÜNİTESİ KOMPLESİ	A/C UNIT ASS'Y	
A090.03.01	ISITMA, HAVALANDIRMA VE SOĞUTMA SİSTEMİ	HEATING VENTING AIR CONDITIONING SYSTEM	

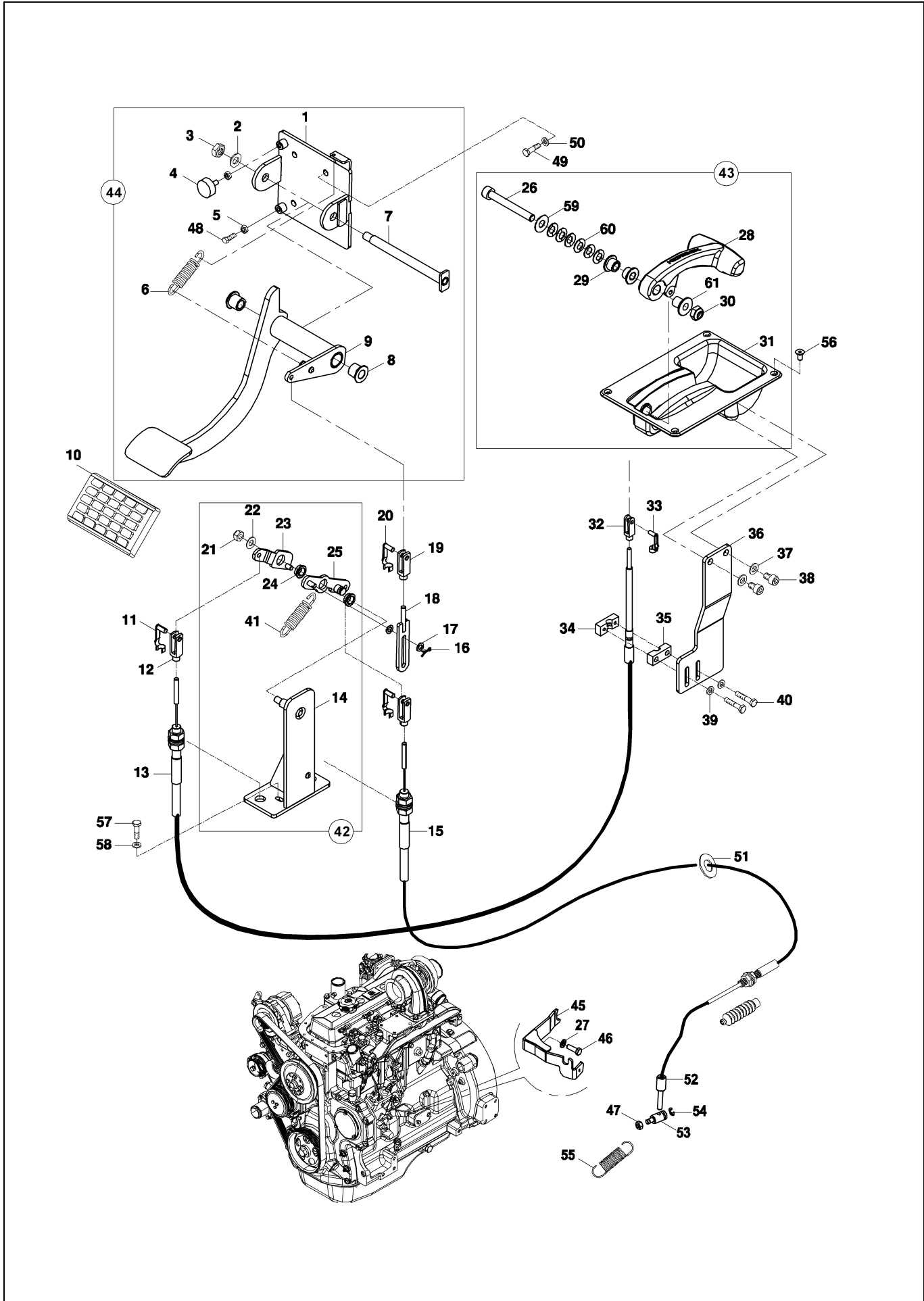
ŞAŞI VE ŞANZIMAN MONTAJI ENGINE & TRANSMISSION MOUNTING



ŞASI VE ŞANZIMAN MONTAJI
ENGINE & TRANSMISSION MOUNTING

No	Parça No	Parça Adı	Description	Adet	S.K.	Bas.S.N	Bit.S.N	Y.K.	Not
No	Part no			Qty	SC	S/N from	S/N to	ICA	Note
1	F9930030	FAN	FAN	1					
2	N03080014	PUL	WASHER	8					
3	N010232174	CIVATA	BOLT	4					M8x35
4	N010380552	CIVATA	BOLT	4					M8x100
5	02040635	FAN ARA ADAPTÖRÜ	FAN BRACKET	1					
6	N025910062	SOMUN	NUT	4					
7	N015980806	CIVATA	BOLT	4					M10x25
8	N010671442	CIVATA	BOLT	4					M16x100
9	01990104	ŞANZIMAN BAGLANTI KULAĞI, SAĞ	TRANSMISSION MOUNTING PLATE, RIGHT	1					
10	N030810001	PUL	WASHER	4					
11	N010380842	CIVATA	BOLT	4					M12x40
12	F9960021	BAĞLANTI TAKOZU	MOUNTING RUBBER	4					
13	N010232486	CIVATA	BOLT	16					M10x30
14	N025910086	SOMUN	NUT	16					
15	80500047	PUL	WASHER	4					
16	N025910194	SOMUN	NUT	4					
17	01990097	MOTOR BAGLANTI KULAĞI, SAĞ	ENGINE MOUNTING PLATE, RIGHT	1					
18	N030810001	PUL	WASHER	6					
19	N010232858	CIVATA	BOLT	6					M12x35
20	01990096	MOTOR BAĞLANTI KULAĞI	ENGINE MOUNTING BRACKET, LH	1					
21	80500077	PUL	WASHER	8					
22	N010232090	CIVATA	BOLT	8					M8x16
23	N030810015	PUL	WASHER	12					
24	N010380674	CIVATA	BOLT	12					M10x60
25	01990105	ŞANZIMAN BAGLANTI KULAĞI, SOL	TRANSMISSION MOUNTING PLATE, LEFT	1					
26	N030810002	PUL	WASHER	4					
27	N010381238	CIVATA	BOLT	4					M16x55
28	01890405	ŞANZUMAN YAĞ KONTROL BORUSU.KOMPL	PIPE, TRANSMISSION OIL LEVEL	1					
29	81009727	ŞANZUMAN YAĞ KONTROL BORUSU	PIPE, TRANSMISSION OIL LEVEL	1					
30	81009759	ŞANZUMAN YAĞ KONTROL ÇUBUĞU	DIPSTICK, TRANSMISSION OIL LEVEL	1					
31	N102003737	O-RİNG	O-RING	1					
32	N077012508	KELEPÇE	CLAMP	1					
33	N030810014	PUL	WASHER	1					
34	N015890458	CIVATA	BOLT	1					M8x20
35	F9970100	MANOMETRE PRİZİ	COUPLING, PRESSURE	2					
36	80615217	NİPEL	ADAPTER	2					
37	N102001622	O-RİNG	O-RING	2					

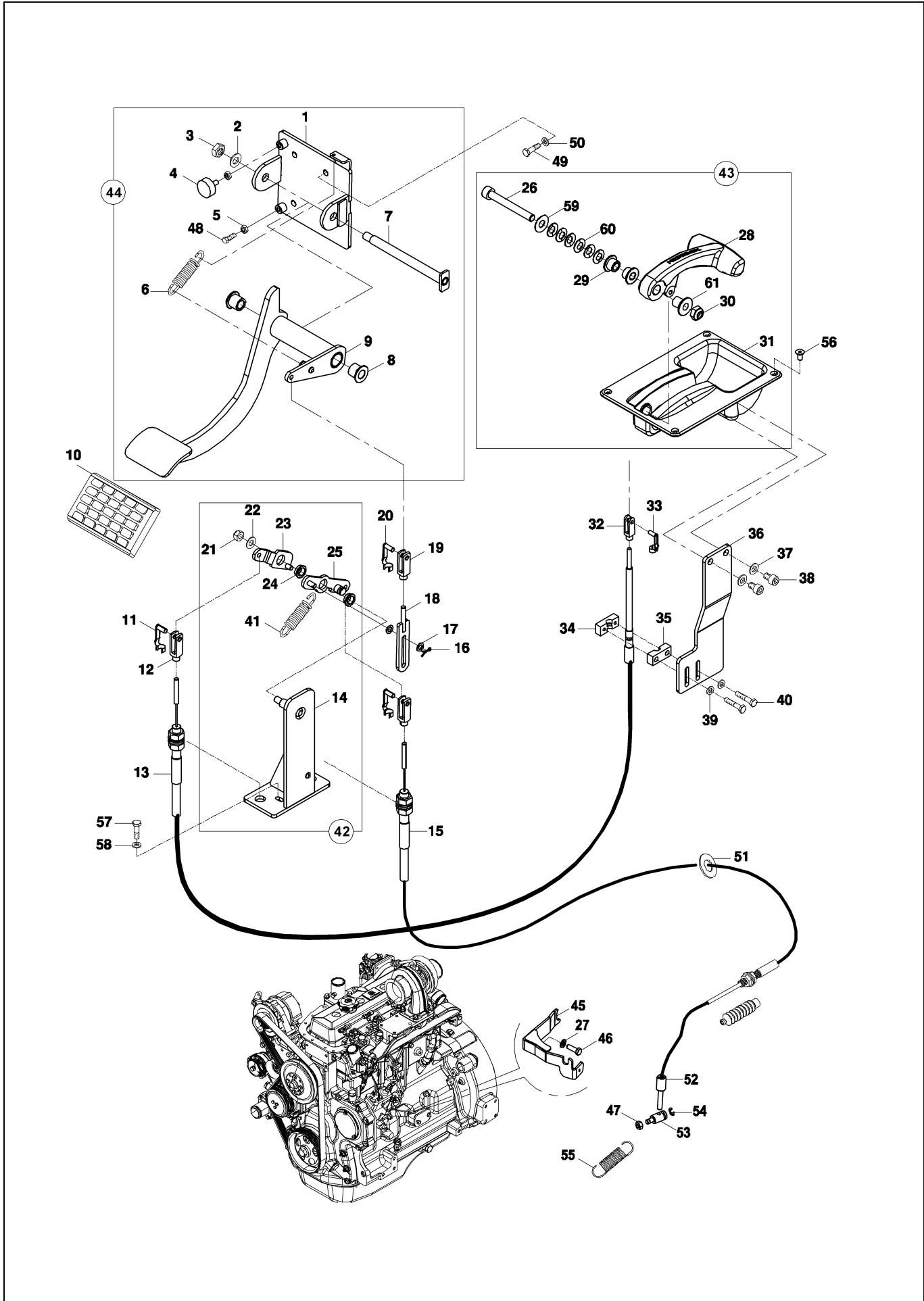
MOTOR KONTROL SİSTEMİ ENGINE CONTROL SYSTEM



MOTOR KONTROL SİSTEMİ ENGINE CONTROL SYSTEM

No	Parça No	Parça Adı	Adet	S.K.	Bas.S.N	Bit.S.N	Y.K.	Not
No	Part no	Description	Qty	SC	S/N from	S/N to	ICA	Note
1	01992954	BRAKET K.K.	1	SOP				
2	N030020022	PUL	1					M10
3	N025910086	SOMUN	1					M10
4	81040057	TAHDİT TAKOZU	1					
5	N023580158	SOMUN	2					M6
6	80702406	YAY	1					
7	81106612	PİM K.K.	1					
8	81040048	BURÇ	2					
9	01992952	GAZ PEDALI K.K.	1					
10	81040080	PEDAL LASTİĞİ	1					
11	F9960111	PİM	2					
12	F9960110	ÇATAL	2					
13	F3114003	TEL, EL GAZI	1					
14	01993603	BRAKET K.K.	1					
15	F3112015	KİT, GAZ PEDAL TELİ	1					
16	N061001615	GUPİLYA	1					
18	01992951	ÇUBUK K.K.	1					
19	F9960110	ÇATAL	2					
20	F9960111	PİM	2					
21	N025910062	SOMUN	1					M8
22	80507041	PUL	1					
23	01992956	KOL K.K., EL GAZI	1					
24	81040047	BURÇ	2					
25	01992955	AYAK GAZI KOLU K.K.	1					
26	N015890926	CIVATA	1					M10x80
27	N030810015	PUL	2					
28	F3113209	EL GAZI KOLU	1					
29	81040192	YATAK	2					
30	N025910086	SOMUN	1					M10
31	F3113208	EL GAZI GÖVDESİ	1					
32	F9960110	ÇATAL	1					
33	F9960111	PİM	1					
34	81051360	KELEPÇE	1					
35	81051361	KELEPÇE	1					
36	02012170	BRAKET	1					
37	N030810014	PUL	2					M8
38	N010232078	CIVATA	2					M8x16
39	N030100013	PUL	2					M6
40	N010231574	CIVATA	1					M6x30
41	80702407	YAY	1					
42	01829672	ALT MEKANİZMA KOMPLESİ	1					
43	01829064	EL GAZI KOMPLESİ	1					
44	01829066	GAZ PEDALI KOMPLESİ	1					
45	01993067	BRAKET	1					
46	N010232486	CIVATA	2					M10x30
47	N023580158	SOMUN	1					M6

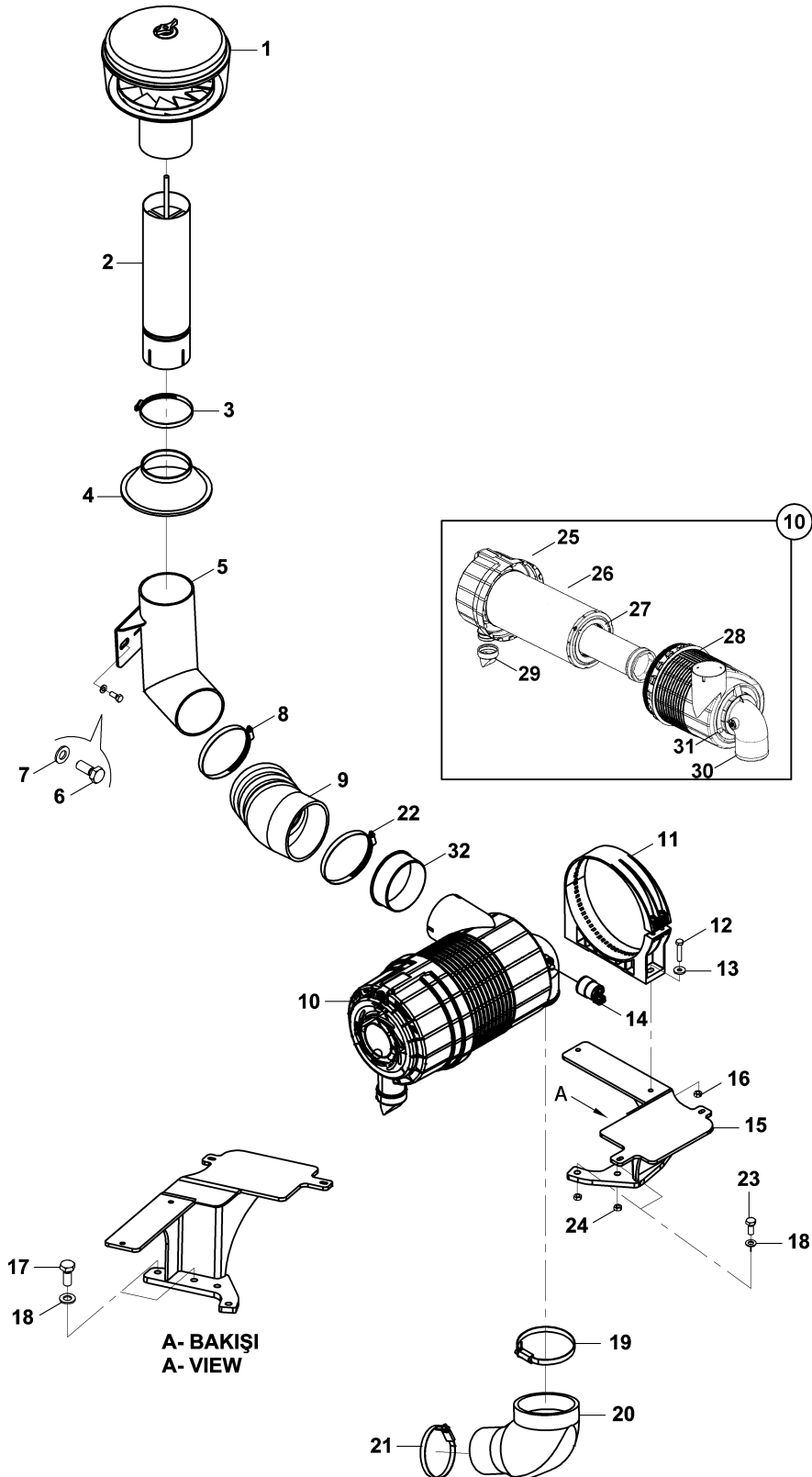
MOTOR KONTROL SİSTEMİ ENGINE CONTROL SYSTEM



**MOTOR KONTROL SİSTEMİ
ENGINE CONTROL SYSTEM**

No	Parça No	Parça Adı		Adet	S.K.	Bas.S.N	Bit.S.N	Y.K.	Not
No	Part no		Description	Qty	SC	S/N from	S/N to	ICA	Note
48	N010231574	CIVATA	BOLT	1					M6x30
49	N015890458	CIVATA	BOLT	4					M8x20
50	N030810014	PUL	WASHER	4					
51	81040021	GROMET	GROMMET	1					
52	81300310	AYAR CIVATASI	BOLT	1					
53	80100502	PİM	PIN, FOOT THROTTLE	1					
54	N050760008	SEGMAN	RETAINING RING	1					
55	80702408	YAY	SPRING	1					
56	N044330156	VİDA	SCREW M4x20	4					M4x20
57	N010231514	CIVATA	BOLT	4					M6x20
58	N030020004	PUL	WASHER	4					M6
59	N030111251	PUL	WASHER	1					
60	S0641346	PUL	WASHER	6					
61	81040191	BURÇ	BUSHING	1					

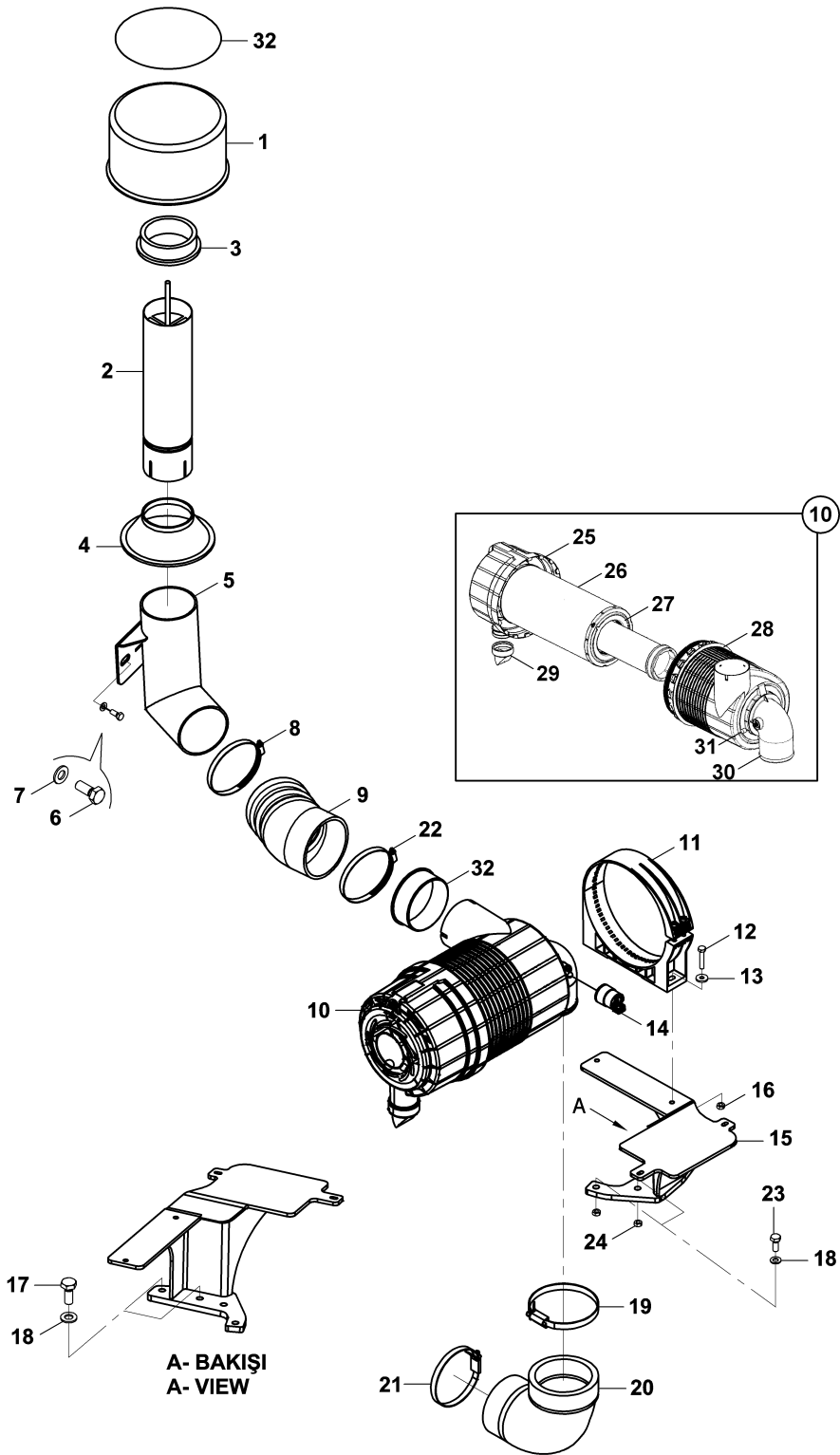
HAVA EMİŞ SİSTEMİ AIR INTAKE SYSTEM



HAVA EMİŞ SİSTEMİ AIR INTAKE SYSTEM

No	Parça No	Parça Adı	Description	Adet	S.K.	Bas.S.N	Bit.S.N	Y.K.	Not
No	Part no			Qty	SC	S/N from	S/N to	ICA	Note
1	F2813500	ÖN TEMİZLEYİCİ KOMPLESİ, HAVA	PRE CLEANER ASS'Y, AIR	1					
2	01991535	BORU	PIPE, AIR PRE-CLEANER	1					
3	N074070090	KELEPÇE	CLAMP	1					
4	F9960030	KÖRÜK	BELLOWS	1					
5	01993020	BORU K.K.	PIPE W.A.	1					
6	N010232402	CIVATA	BOLT	2					M10x16
7	N030020018	PUL	WASHER	2					
8	N074080100	KELEPÇE	CLAMP	1					(Ø80-Ø100)
9	81009588	HORTUM	HOSE	1					
10	F2813052	FİLTRE KOMPLESİ, HAVA	FILTER ASS'Y, AIR	1					
11	F2813053	BRAKET	BRACKET	1					
12	N010232162	CIVATA	BOLT	2					M8x30
13	N030020111	PUL	WASHER	2					
14	F2813056	MÜŞİR	SWITCH	1					
15	01992883	BRAKET	BRACKET	1					
16	N025910062	SOMUN	NUT	2					
17	N010232498	CIVATA	BOLT	2					
18	N030020018	PUL	WASHER	4					M8
19	N074080100	KELEPÇE	CLAMP	1					M10x25
20	81009585	HORTUM	HOSE	1					
21	N074050070	KELEPÇE	CLAMP	1					(Ø90-Ø110)
22	N074090110	KELEPÇE	CLAMP	1					
23	N010232498	CIVATA	BOLT	2					(Ø80-Ø100)
24	N025910086	SOMUN	NUT	2					(Ø90-Ø110)
25	F2893014	KAPAK KOMPLESİ	COVER ASSY.	1					M10x30
26	F2893010	FİLTRE, HAVA, DIŞ	MAIN ELEMENT ASS'Y	1					M10
27	F2893011	FİLTRE, HAVA, İÇ	SAFETY ELEMENT ASS'Y	1					
28	F2893015	HAVA FİLTRE KABI	BODY	1					
29	F2893016	TAHLİYE LASTİĞİ	EVACUATOR, AIR FILTER	1					
30	F2893013	DİRSEK	ELBOW	1					
31	F2893017	TAPA	PROTECTION CAP	1					
32	02030667	BURÇ	BUSHING	1					

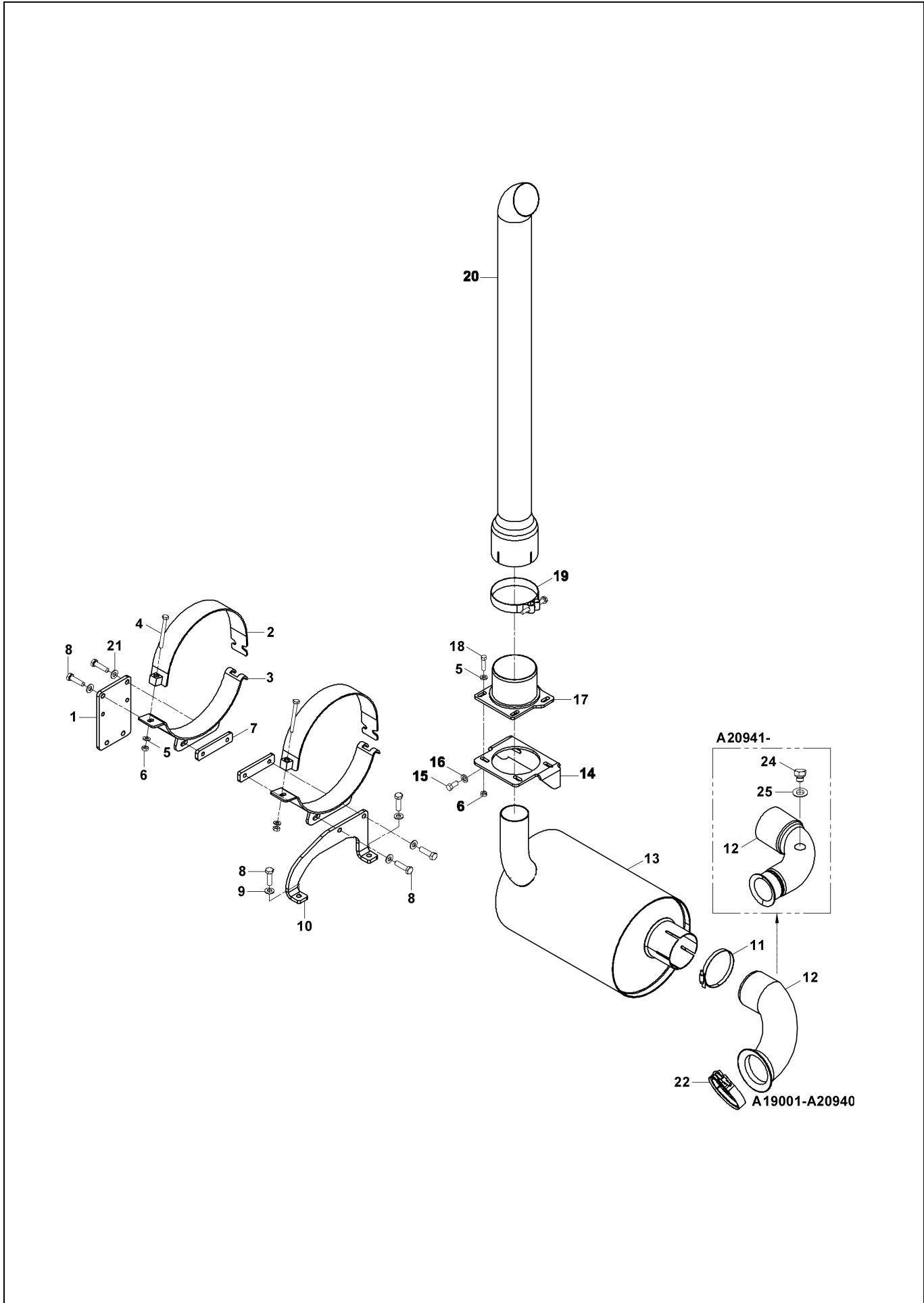
HAVA EMİŞ SİSTEMİ
AIR INTAKE SYSTEM



HAVA EMİŞ SİSTEMİ AIR INTAKE SYSTEM

No	Parça No	Parça Adı	Description	Adet	S.K.	Bas.S.N	Bit.S.N	Y.K.	Not
No	Part no			Qty	SC	S/N from	S/N to	ICA	Note
1	F2815012	ÖN TEMİZLEYİCİ KOMPLESİ, HAVA	PRE CLEANER ASS'Y, AIR	1					
2	01991535	BORU	PIPE, AIR PRE-CLEANER	1					
3	F2815040	KELEPÇE	CLAMP, PRE-CLEANER	1					
4	F9960030	KÖRÜK	BELLOWS	1					
5	01993020	BORU K.K.	PIPE W.A.	1					
6	N010232402	CIVATA	BOLT	2					M10x16
7	N030020018	PUL	WASHER	2					
8	N074080100	KELEPÇE	CLAMP	1					(Ø80-Ø100)
9	81009588	HORTUM	HOSE	1					
10	F2813052	FİLTRE KOMPLESİ, HAVA	FILTER ASS'Y, AIR	1					
11	F2813053	BRAKET	BRACKET	1					
12	N010232162	CIVATA	BOLT	2					M8x30
13	N030020111	PUL	WASHER	2					
14	F2813056	MÜŞİR	SWITCH	1					
15	01992883	BRAKET	BRACKET	1					
16	N025910062	SOMUN	NUT	2					
17	N010232498	CIVATA	BOLT	2					
18	N030020018	PUL	WASHER	4					M8
19	N074080100	KELEPÇE	CLAMP	1					M10x25
20	81009585	HORTUM	HOSE	1					
21	N074050070	KELEPÇE	CLAMP	1					(Ø90-Ø110)
22	N074090110	KELEPÇE	CLAMP	1					
23	N010232498	CIVATA	BOLT	2					(Ø80-Ø100)
24	N025910086	SOMUN	NUT	2					(Ø90-Ø110)
25	F2893014	KAPAK KOMPLESİ	COVER ASSY.	1					M10x30
26	F2893010	FİLTRE, HAVA, DIŞ	MAIN ELEMENT ASS'Y	1					M10
27	F2893011	FİLTRE, HAVA, İÇ	SAFETY ELEMENT ASS'Y	1					
28	F2893015	HAVA FİLTRE KABI	BODY	1					
29	F2893016	TAHLİYE LASTİĞİ	EVACUATOR, AIR FILTER	1					
30	F2893013	DİRSEK	ELBOW	1					
31	F2893017	TAPA	PROTECTION CAP	1					
32	Y0611334	ETİKET, HAVA FİLTRESİ	DECAL, AIR FILTER	1					
33	02030667	BURÇ	BUSHING	1					

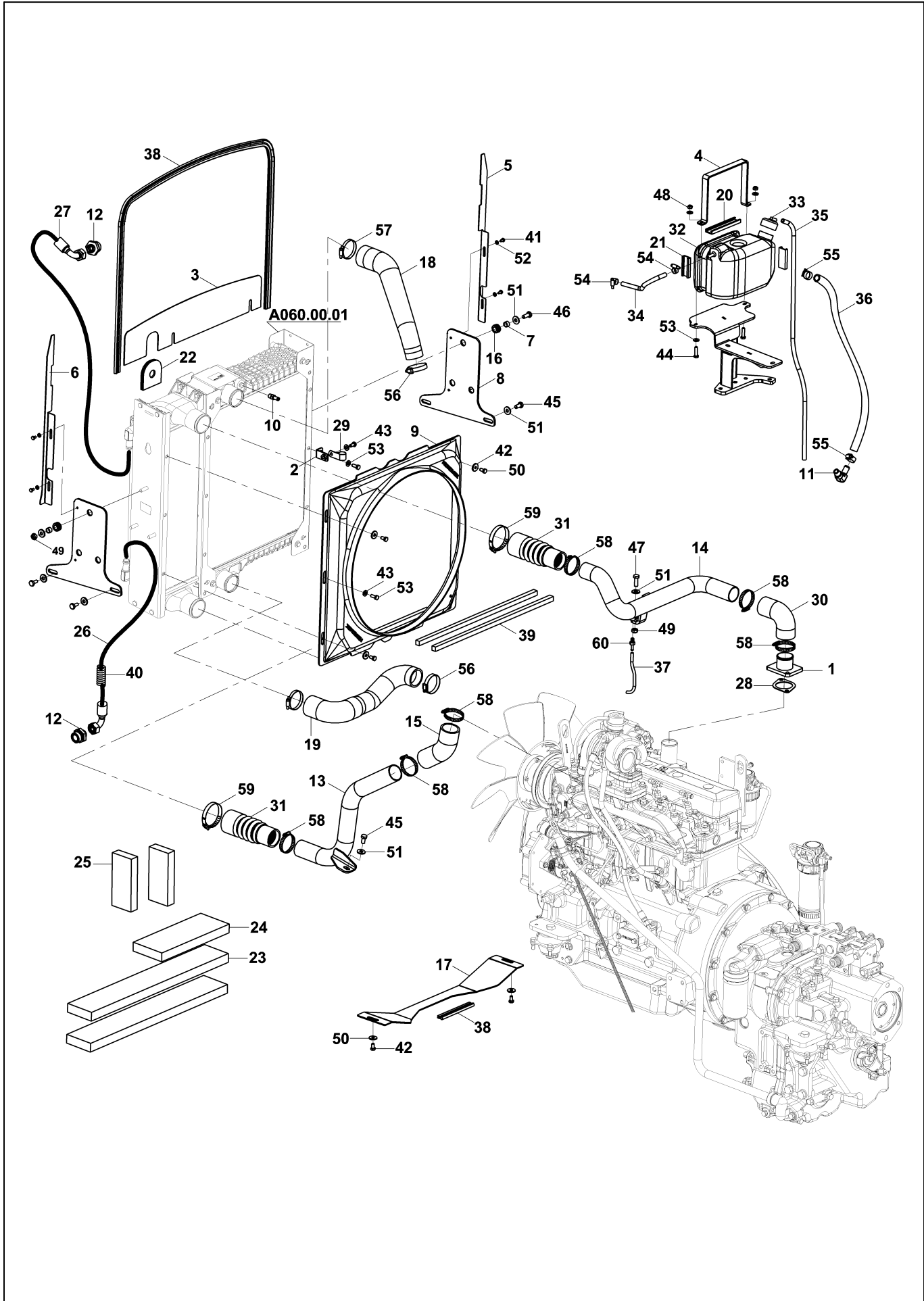
**EGZOZ MONTAJI
EXHAUST ASSEMBLY**



EGZOZ MONTAJI
EXHAUST ASSEMBLY

No	Parça No	Parça Adı	Adet	S.K.	Bas.S.N	Bit.S.N	Y.K.	Not
No	Part no	Description	Qty	SC	S/N from	S/N to	ICA	Note
1	01992936	DESTEK SACI	1					
2	01992938	KELEPÇE K.K.	2					
3	01992937	KELEPÇE K.K.	2					
4	N010380470	CIVATA	2					M8x70
5	N030020111	PUL	5					M8
6	N025910062	SOMUN	5					M8
7	02021565	EGZOZ KELEPÇE SOMUNU	2					
8	N010232462	CIVATA	6					M10x25
9	N030020018	PUL	2					M10
10	02012329	BRAKET	1					
11	N078308591	KELEPÇE	1					
12	81009529	EGZOZ BORUSU	1					
13	01991627	EGZOZ SUSTURUCUSU	1					
14	01992777	BRAKET	1					
15	N010232438	CIVATA	2					M10x20
16	N030020018	PUL	2					
17	01992776	BORU K.K.	1					
18	N010232138	CIVATA	3					M8x25
19	81053215	KELEPÇE	1					
20	81009615	EGZOZ BORUSU	1					
21	N030111251	PUL	4					M10
22	N079701012	KELEPÇE	1					
24	N16X120004	TAPA	1					
25	N030213192	PUL	1					

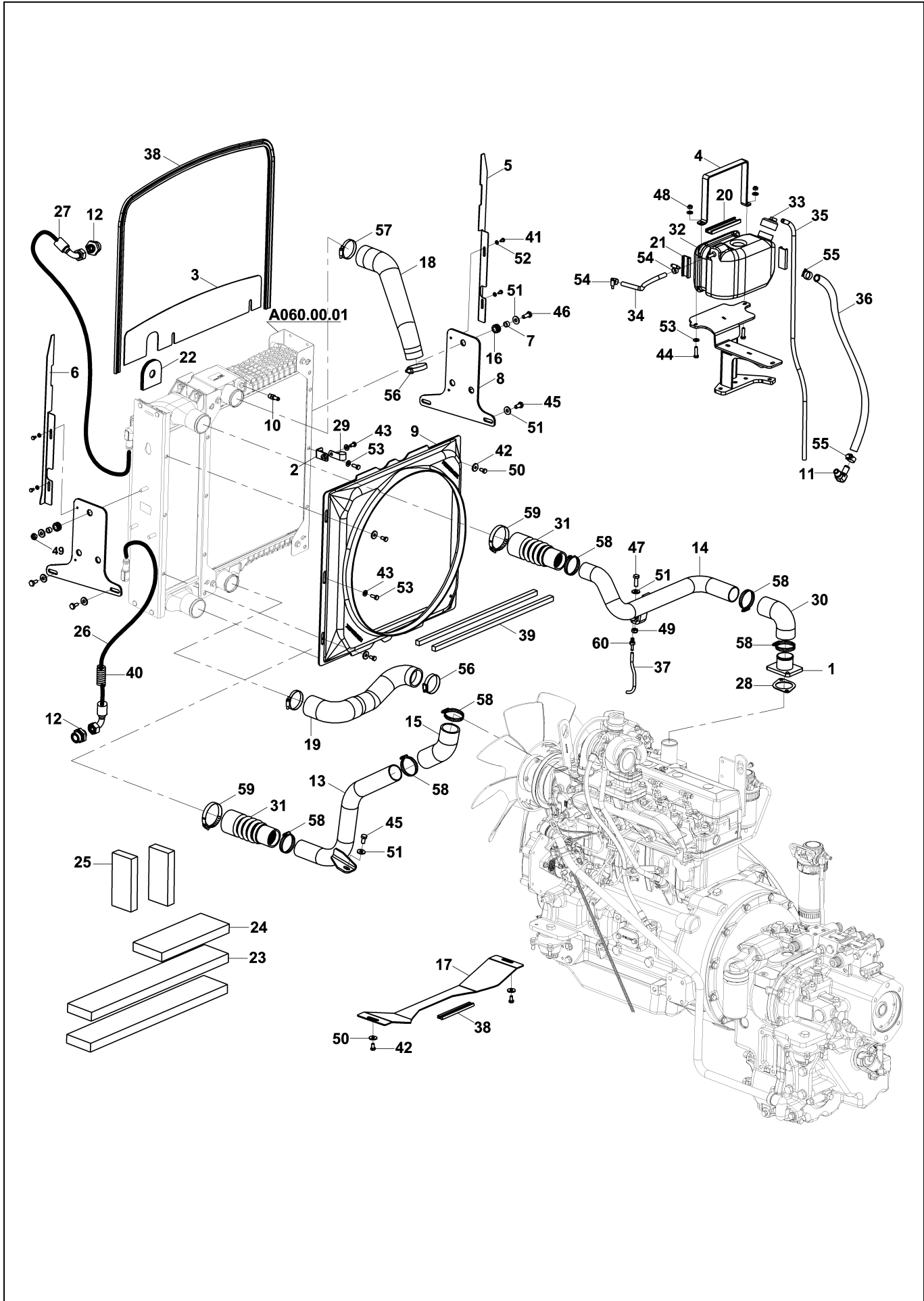
MOTOR SOĞUTMA SİSTEMİ ENGINE COOLING MOUNTING



MOTOR SOĞUTMA SİSTEMİ
ENGINE COOLING MOUNTING

No	Parça No	Parça Adı	Adet	S.K.	Bas.S.N	Bit.S.N	Y.K.	Not
No	Part no	Description	Qty	SC	S/N from	S/N to	ICA	Note
1	1992939	BORU K.K.	1					
2	1993021	BRAKET	1					
3	2003130	HAVA PERDE SACI	1					
4	2012636	KELEPÇE	1					
5	02012835	HAVA PERDE SACI, SAĞ	1					
6	02012836	HAVA PERDE SACI, SOL	1					
7	2021088	YÜZÜK	6					
8	2021723	DESTEK SACI	2					
9	2040076	DAVLUMBAZ	1					
10	80608014	NİPEL	1					
11	80620200	DİRSEK	1					
12	80628332	NİPEL	2					
13	81009518	BORU K.K.	1					
14	81009519	BORU	1					
15	81009591	HORTUM	1					
16	81040006	GROMET	6					
17	81040177	HAVA PERDE SACI	1					
18	81040515	HORTUM	1					
19	81040516	HORTUM	1					
20	81048119	LASTİK	1					
21	81048121	LASTİK	2					
22	81600101	GROMET	1					
23	81602044	SÜNGER	2					650x100
24	81602045	SÜNGER	1					320x120
25	81602049	SÜNGER	2					80x180
26	7013329263	HORTUM KOMPLESİ	1					
27	7013329287	HORTUM KOMPLESİ	1					
28	F0182426	CONTA	1					
29	N077002426	KELEPÇE	1					
30	F9906191	HORTUM	1					
31	F9906193	HORTUM, İNTERCOOLER	2					
32	F9929010	REZERVUAR TANK	1					
33	F9929100	TANK KAPAĞI, REZERVUAR	1					
34	H067000104	HORTUM	250					METRE/MET ERS
35	H067000104	HORTUM	1050					METRE/MET ERS
36	H067031508	HORTUM	750					METRE/MET ERS
37	H068230104	HORTUM, YAKIT	250					METRE/MET ERS
38	H130133015	FİTİL	700					METRE/MET ERS
39	H130315150	YALITICI BANT	1120					METRE/MET ERS
40	H134200800	HORTUM KORUYUCU	660					METRE/MET ERS
41	N010231442	CIVATA	4					M6x10
42	N010232078	CIVATA	7					M8x16
43	N010232114	CIVATA	2					M8x20

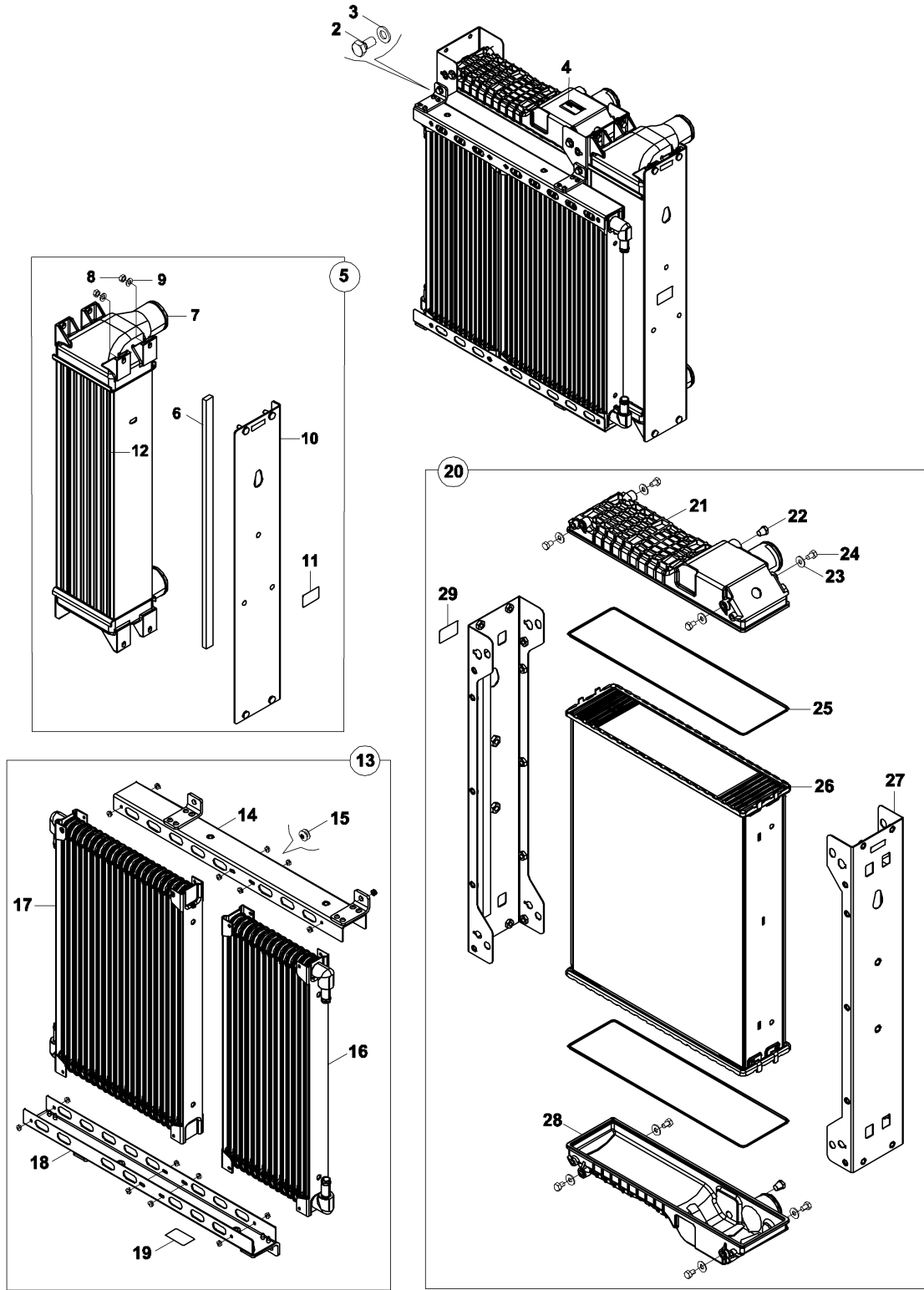
MOTOR SOĞUTMA SİSTEMİ ENGINE COOLING MOUNTING



**MOTOR SOĞUTMA SİSTEMİ
ENGINE COOLING MOUNTING**

No	Parça No	Parça Adı	Adet	S.K.	Bas.S.N	Bit.S.N	Y.K.	Not
No	Part no	Description	Qty	SC	S/N from	S/N to	ICA	Note
44	N010232162	CIVATA	2					M8x30
45	N010232438	CIVATA	5					M10x20
46	N010232462	CIVATA	3					M10x25
47	N010232486	CIVATA	1					M10x30
48	N025910062	SOMUN	2					
49	N025910086	SOMUN	4					
50	N030020111	PUL	6					
51	N030020121	PUL	12					
52	N030100013	PUL	4					
53	N030810014	PUL	7					
54	N074010016	KELEPÇE	2					
55	N074016025	KELEPÇE	2					
56	N074040060	KELEPÇE	2					
57	N074050070	KELEPÇE	2					
58	N074404567	KELEPÇE	6					
59	N074405779	KELEPÇE	2					

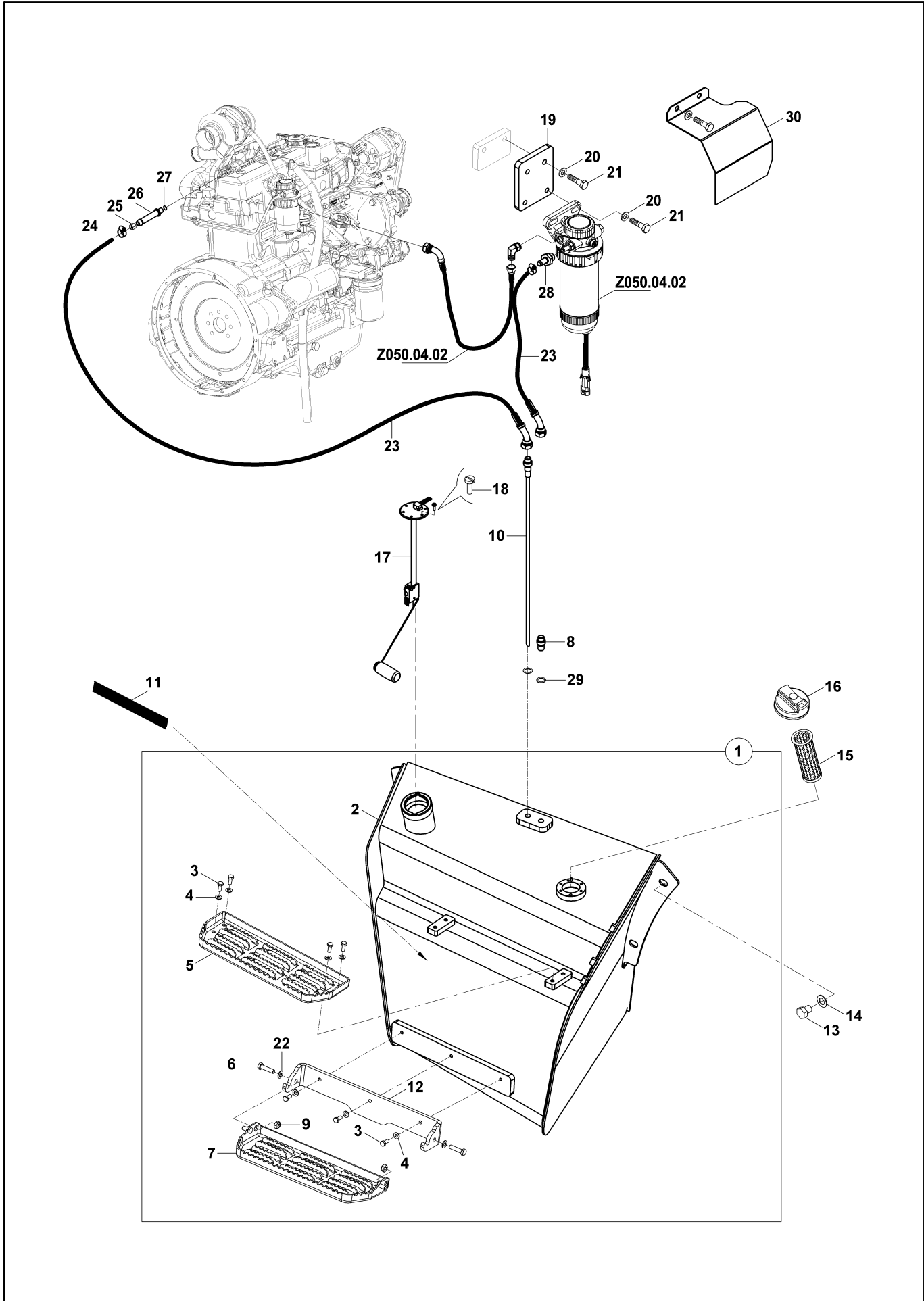
RADYATÖR KOMPLESİ
RADIATOR ASSEMBLY



RADYATÖR KOMPLESİ RADIATOR ASSEMBLY

No	Parça No	Parça Adı	Description	Adet	S.K.	Bas.S.N	Bit.S.N	Y.K.	Not
No	Part no			Qty	SC	S/N from	S/N to	ICA	Note
0	F2511633	RADYATÖR KOMPLESİ	RADIATOR ASS'Y	1					
2	S2511120	SETSKUR	HEX SET SCREW M8x16	8					M8x16
3	S2511130	PUL	WASHER, MXX	8					M8
4	S2511220	ETİKET	LABEL	1					
5	F2513111	İNTERCOOLER	INTERCOOLER	1					
6	S2511010	KEÇE, HAVA	SEALING, AIR	1					
7	S2511060	İNTERCOOLER	INTERCOOLER	1					
8	S2511180	SOMUN	NUT	4					M8x1.25
9	S2511130	PUL	WASHER, MXX	4					M8
10	S2511050	ÇERÇEVE SACI	CAC SIDE PLATE	1					
11	S2511220	ETİKET	LABEL	1					
12	S2511070	İNTERCOOLER	INTERCOOLER	1					
13	F2511623	YAĞ SOĞUTUCU KOMPLESİ	OIL COOLER ASS'Y	1					
14	S2511020	ÇERÇEVE SACI	UPPER CHANNEL ASSY.	1					
15	S2511200	PERÇİN	STEEL RIVET Ø5x11	16					
16	S2511091	YAĞ SOĞUTUCU, ŞANZIMAN	OIL COOLER, TRANSMISSION	1					
17	S2511080	YAĞ SOĞUTUCU, HİDROLİK	OIL COOLER, HYDRAULIC	1					
18	S2511030	ÇERÇEVE SACI	LOWER CHANNEL ASSY.	1					
19	S2511220	ETİKET	LABEL	1					
20	F2511228	SU SOĞUTUCU, RADYATÖR	WATER COOLER, RADIATOR	1					
21	S2511140	RADYATÖR KAZANI	TANK	1					
22	S2511160	TAPA	PLUG 1/4" NPTF	2					
23	S2511210	PUL	WASHER, MXX	8					M8
24	S2511190	SETSKUR	HEX SET SCREW M8x12	8					M8x12
25	S2511150	CONTA	GASKET	1					
26	S2511100	SU SOĞUTUCU PETEĞİ, RADYATÖR	CORE ASS'Y, RADIATOR	1					
27	S2511040	ÇERÇEVE SACI	SIDEMEMBER	1					
28	S2511170	RADYATÖR KAZANI	TANK	1					
29	S2511220	ETİKET	LABEL	1					

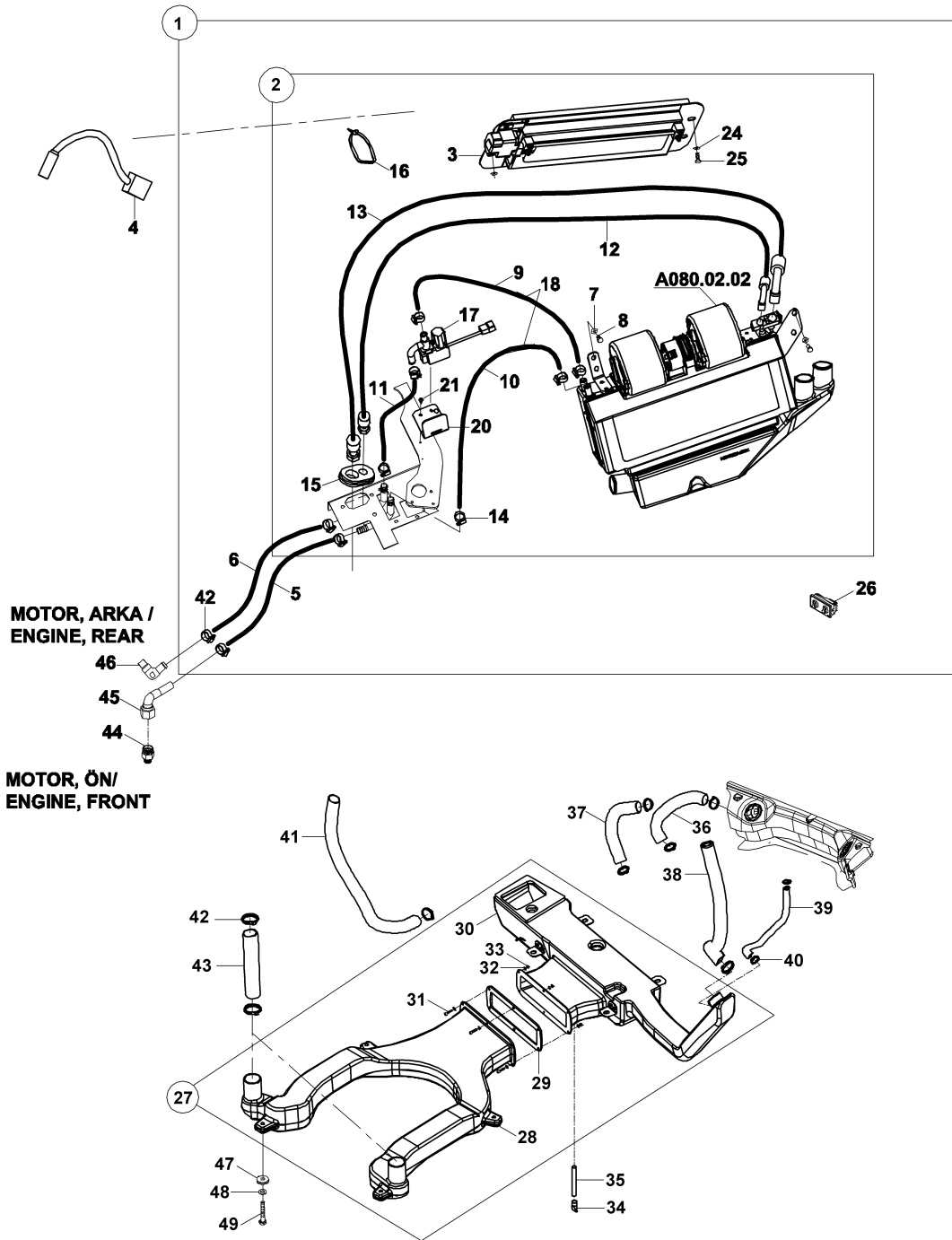
**YAKIT SİSTEMİ
FUEL SYSTEM**



YAKIT SİSTEMİ FUEL SYSTEM

No	Parça No	Parça Adı	Description	Adet	S.K.	Bas.S.N	Bit.S.N	Y.K.	Not
No	Part no			Qty	SC	S/N from	S/N to	ICA	Note
1	01825552	YAKIT TANKI KOMPLESİ	FUEL TANK, ASS'Y.	1					
2	01925547	YAKIT TANKI K.K.	TANK, FUEL TANK, W.A.	1					
3	N010232114	CIVATA	BOLT	7					M8x20
4	N030100017	PUL	WASHER	7					M8
5	02010535	BASAMAK	STEP	1					
6	N010232510	CIVATA	BOLT	2					M10x40
7	01910109	BASAMAK	STEP	1					
8	80624062	NİPEL	ADAPTER	1					
9	N025910086	SOMUN	NUT	2					M10
10	01991099	BORU KOMPLESİ	FUEL SUCTION TUBE	1					
11	F9906915	KUMLU KAĞIT	SAFETY WALK TAPE	0,5					METRE/METERS
12	02012924	BASAMAK DÖNME SACI	FOOT STEP BRACKET	1					
13	N010233530	CIVATA	BOLT	4					M16x25
14	N030810002	PUL	WASHER	4					M16
15	F2891551	SÜZGEÇ, YAKIT	STRAINER, FUEL	1					
16	F9915025	TANK KAPAĞI	CAP, HYDRAULIC TANK	1					
17	F9960008	SENSÖR, YAKIT SEVİYE	SENSOR, FUEL LEVEL	1					
18	N041671826	VİDA	SCREW, M5x10	6					M5x10
19	02021504	SAC	PLATE	1					
20	N030810015	PUL	WASHER	4					M10
21	N010232438	CIVATA	BOLT	4					M10x20
22	N030100020	PUL	WASHER	2					
23	698002M090	HORTUM	HOSE	2					
24	N074010016	KELEPÇE	CLAMP	2					
25	80401460	SOMUN	NUT, SPECIAL	1					
26	80622005	NİPEL	ADAPTER	1					
27	80910000	CONTA	GASKET	1					
28	80608021	NİPEL	ADAPTER	1					
29	N030000005	O-RİNGLİ PUL	WASHER	6					

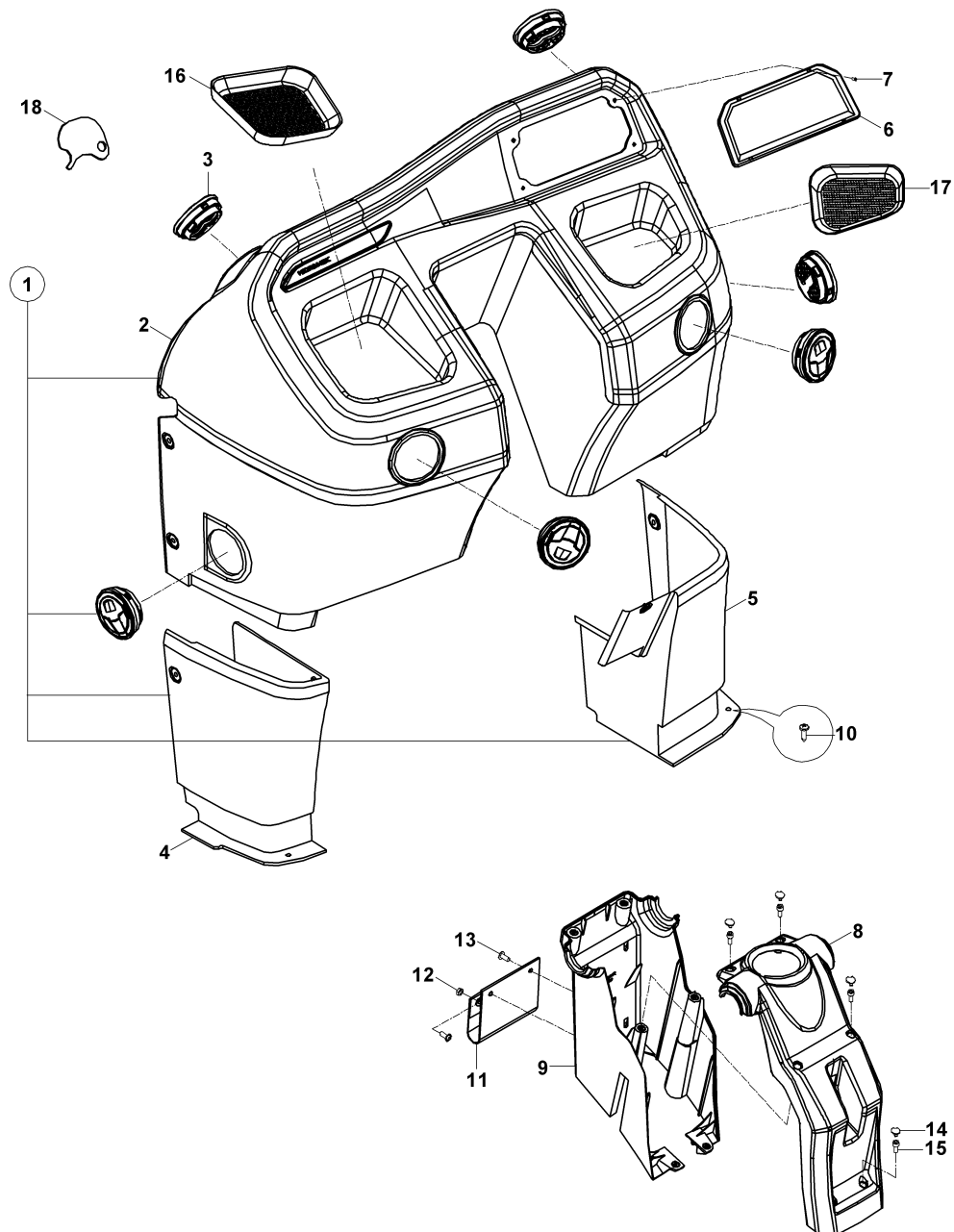
**KONSOL, ÖN
CONSOLE, FRONT**



KONSOL, ÖN CONSOLE, FRONT

No	Parça No	Parça Adı	Adet	S.K.	Bas.S.N	Bit.S.N	Y.K.	Not
No	Part no	Description	Qty	SC	S/N from	S/N to	ICA	Note
1	01829665	KAPLAMA KOMPLESİ, ÖN KONSOL	1					
2	02043050	KAPLAMA, ÖN KONSOL, ÜST	1					
3	F2520514	HAVA MENFEZİ	1					
4	02043051	KAPLAMA, ÖN KONSOL, SOL ALT	1					
5	02043052	KAPLAMA, ÖN KONSOL, SAĞ ALT	1					
6	53005224	GÖSTERGE PANELİ, LCD, ÖN	1					
7	N041671658	VİDA	4					M5x16
8	02040285	KAPLAMA, DİREKSİYON KOLONU, ÖN	1					
9	02040286	KAPLAMA, DİREKSİYON KOLONU, ARKA	1					
10	N049602042	VİDA	4					
11	81028603	KAPLAMA, ARKA	1					
12	N010231478	CIVATA	2					M6x16
13	N030100013	PUL	4					
14	81402021	KAPAK	6					
15	N015890302	CIVATA	6					
16	F3220182	LASTİK ALTLIK	1					
17	F3220181	LASTİK ALTLIK	1					
18	02009087	SAC	1					

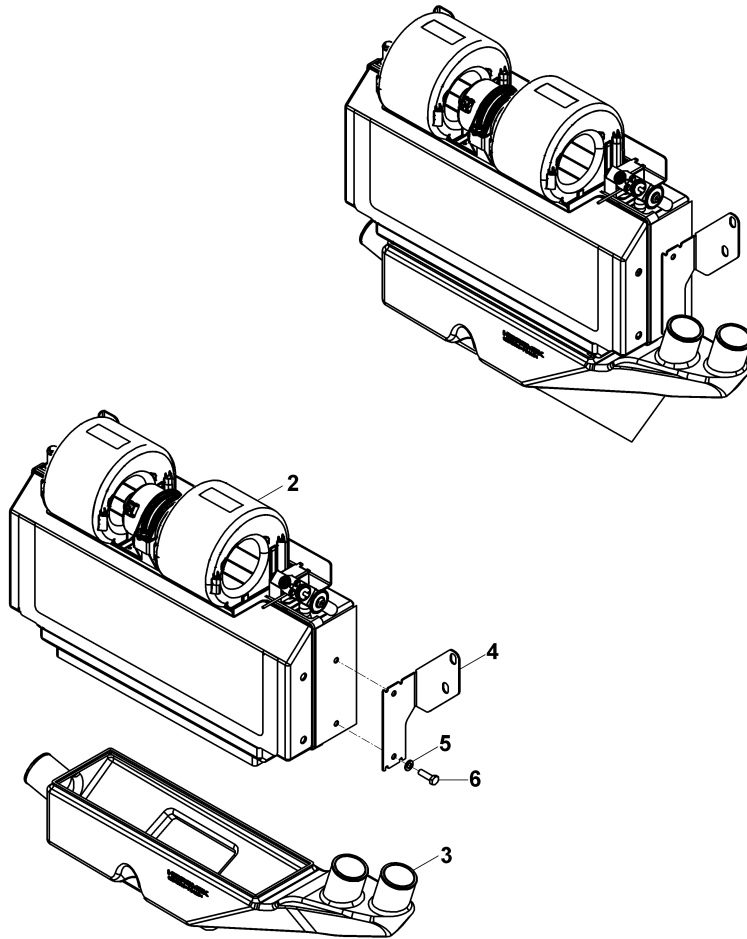
KONSOL, ÖN CONSOLE, FRONT



KONSOL, ÖN CONSOLE, FRONT

No	Parça No	Parça Adı	Description	Adet	S.K.	Bas.S.N	Bit.S.N	Y.K.	Not
No	Part no			Qty	SC	S/N from	S/N to	ICA	Note
1	01829665	KAPLAMA KOMPLESİ, ÖN KONSOL	COVER ASS'Y, FRONT CONSOLE	1					
2	02043050	KAPLAMA, ÖN KONSOL, ÜST	COVER, FRONT CONSOLE, UPPER	1					
3	F2520514	HAVA MENFEZİ	AIR VENT	1					
4	02043051	KAPLAMA, ÖN KONSOL, SOL ALT	COVER, FRONT CONSOLE, LOWER LH	1					
5	02043052	KAPLAMA, ÖN KONSOL, SAĞ ALT	COVER, FRONT CONSOLE, LOWER RH	1					
6	53005224	GÖSTERGE PANELİ, LCD, ÖN	INSTRUMENT PANEL, LCD, FRONT	1					
7	N041671658	VİDA	SCREW	4					M5x16
8	02040285	KAPLAMA, DİREKSİYON KOLONU, ÖN	COVER, STEERING COLUMN, FRONT	1					
9	02040286	KAPLAMA, DİREKSİYON KOLONU, ARKA	COVER, STEERING COLUMN, REAR	1					
10	N049602042	VİDA	BOLT	4					
11	81028603	KAPLAMA, ARKA	COVER, REAR	1					
12	N010231478	CIVATA	BOLT	2					M6x16
13	N030100013	PUL	WASHER	4					
14	81402021	KAPAK	COVER	6					
15	N015890302	CIVATA	BOLT	6					
16	F3220182	LASTİK ALTLIK	MAT	1					
17	F3220181	LASTİK ALTLIK	MAT	1					
18	02009087	SAC	PLATE	1					

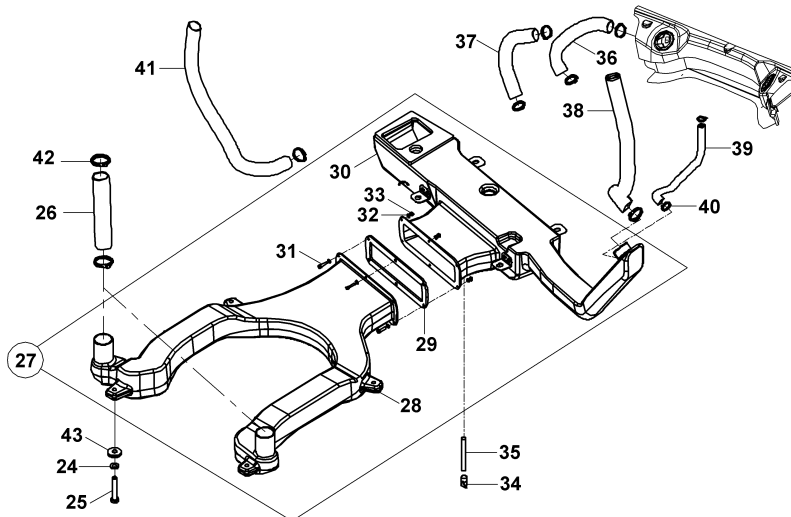
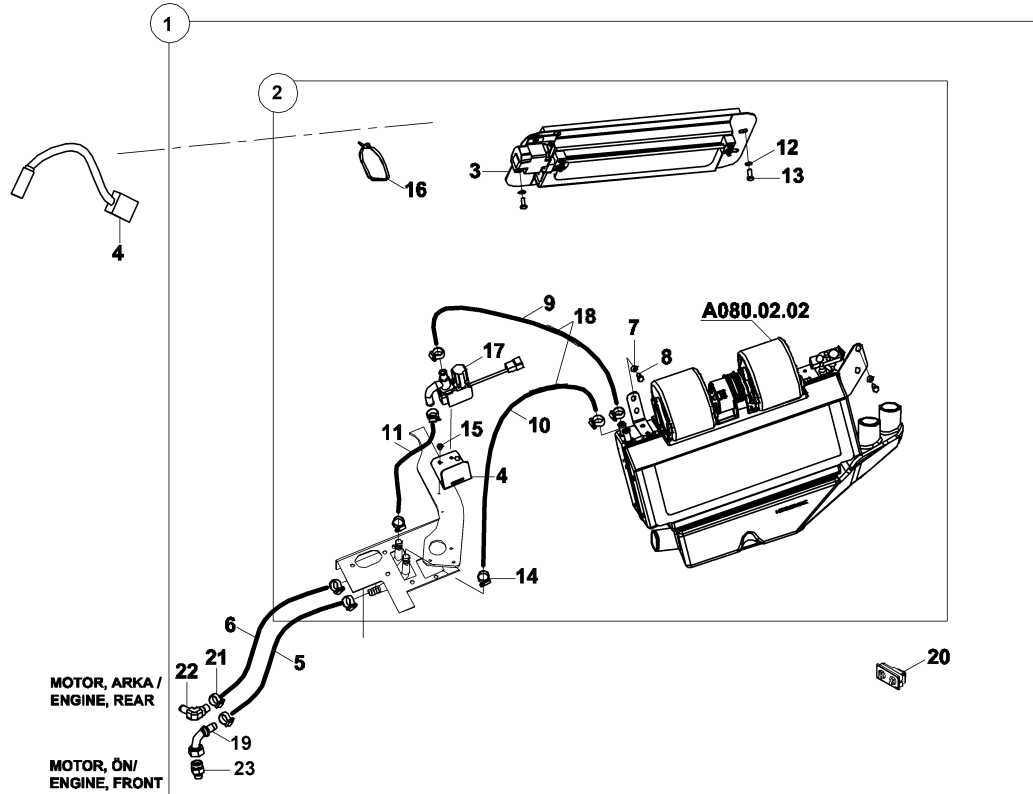
KALORİFER ÜNİTESİ HEATER UNIT



**KALORİFER ÜNİTESİ
HEATER UNIT**

No	Parça No	Parça Adı	Adet	S.K.	Bas.S.N	Bit.S.N	Y.K.	Not
No	Part no	Description	Qty	SC	S/N from	S/N to	ICA	Note
0	F2520634	KALORİFER KOMPLESİ	1					
2	F2520635	KALORİFER ÜNİTESİ	1					
3	02043006	HAVA KANALI	1					
4	02043062	BRAKET	1					
5	N030720006	PUL	2					M8
6	N010232114	CIVATA	2					M8x20

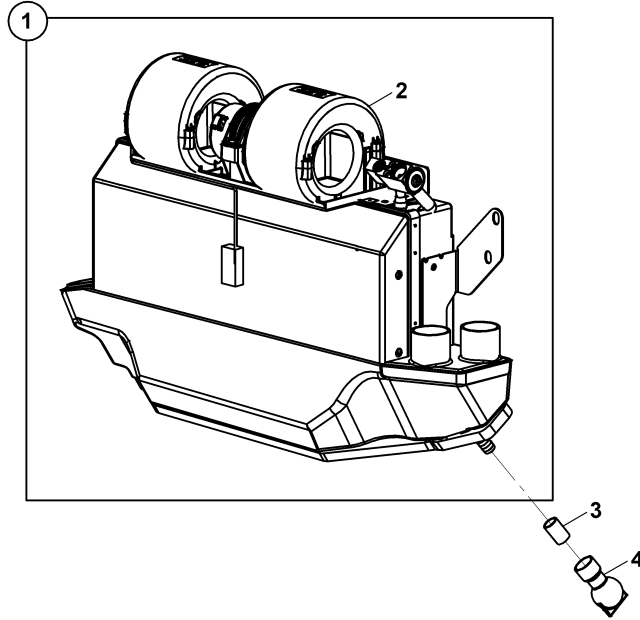
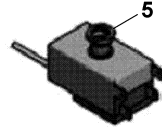
**ISITMA, HAVALANDIRMA SİSTEMİ
HEATING VENTING SYSTEM**



ISITMA, HAVALANDIRMA SİSTEMİ
HEATING VENTING SYSTEM

No	Parça No	Parça Adı	Adet	S.K.	Bas.S.N	Bit.S.N	Y.K.	Not
No	Part no	Description	Qty	SC	S/N from	S/N to	ICA	Note
1	01750014	KLİMA ÜNİTESİ KOMPLESİ	1					
2	01829321	KLİMA ÜNİTESİ	1					
3	F3112023	YÖNLENDİRİCİ, İÇ-DIŞ HAVA	1					
4	02043056	BRAKET	1					
5	79901025	HORTUM, KALORİFER	1					
6	79901024	HORTUM, KALORİFER	1					
7	N030720006	PUL	2					
8	N010232114	CIVATA	3					M8x20
9	79901022	HORTUM, KALORİFER	1					
10	79901021	HORTUM, KALORİFER	1					
11	79901023	HORTUM	1					
12	N030020004	PUL	4					
13	N010231514	CIVATA	4					M6x20
14	N074016025	KELEPÇE	4					Ø16- Ø25
15	N049602042	VİDA	2					M6x16
16	51011700	KABLO BAĞI	3					
17	F9929201	VANA, KALORİFER	1					
18	H134201800	HORTUM KORUYUCU	2					
19	N192610508	HORTUM BAŞLIĞI	1					
20	52201033	KUMANDA PANELİ, KALORİFER	1					
21	N074016025	KELEPÇE	4					
22	80620200	DİRSEK	1					
23	80624228	NİPEL	5					M10x30
24	N030810014	PUL	4					
25	N010380410	CIVATA	4					M8x50
26	79905061	HORTUM, KLİMA	2					
27	01829673	HAVA KANALI KOMPLESİ	1					
28	02043007	HAVA KANALI	1					
29	81602015	CONTA	1					
30	02043001	HAVA KANALI	1					
31	N015890326	CIVATA	6					M6x25
32	N030100013	PUL	12					
33	N025910050	SOMUN	6					
34	F2520460	TAHLİYE LASTİĞİ	1					
35	79900120	HORTUM, KLİMA TAHLİYE	1					
36	79905063	HORTUM, KLİMA	1					
37	79905064	HORTUM, KLİMA	1					
38	79905062	HORTUM, KLİMA	1					
39	79905058	HORTUM, KLİMA	1					
40	N074016027	KELEPÇE	1					
41	79905060	HORTUM, KLİMA	1					
42	N074040070	KELEPÇE	4					
43	80504300	PUL	4					

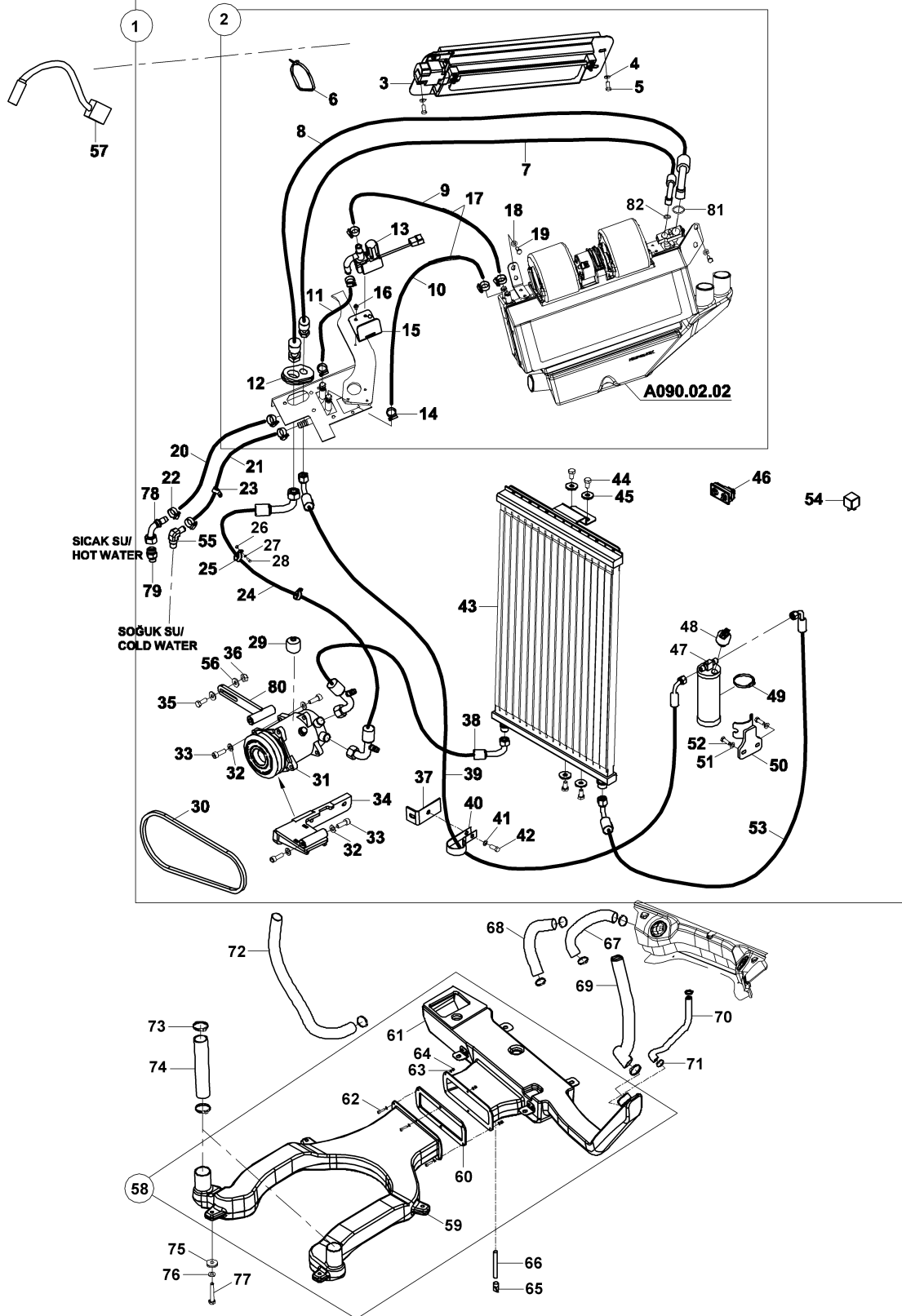
KLİMA ÜNİTESİ KOMPLESİ A/C UNIT ASS'Y



**KLİMA ÜNİTESİ KOMPLESİ
A/C UNIT ASS'Y**

No	Parça No	Parça Adı	Adet	S.K.	Bas.S.N	Bit.S.N	Y.K.	Not
No	Part no	Description	Qty	SC	S/N from	S/N to	ICA	Note
0	F2520637	KLİMA ÜNİTESİ KOMPLESİ	1					
1	F2520631	KLİMA ÜNİTESİ	1					
2	F2523160	BLOWER	1					
3	79901020	HORTUM	2					
4	F3220179	SU TUTUCU	2					
5	F2594013	TERMOSTAT	1					

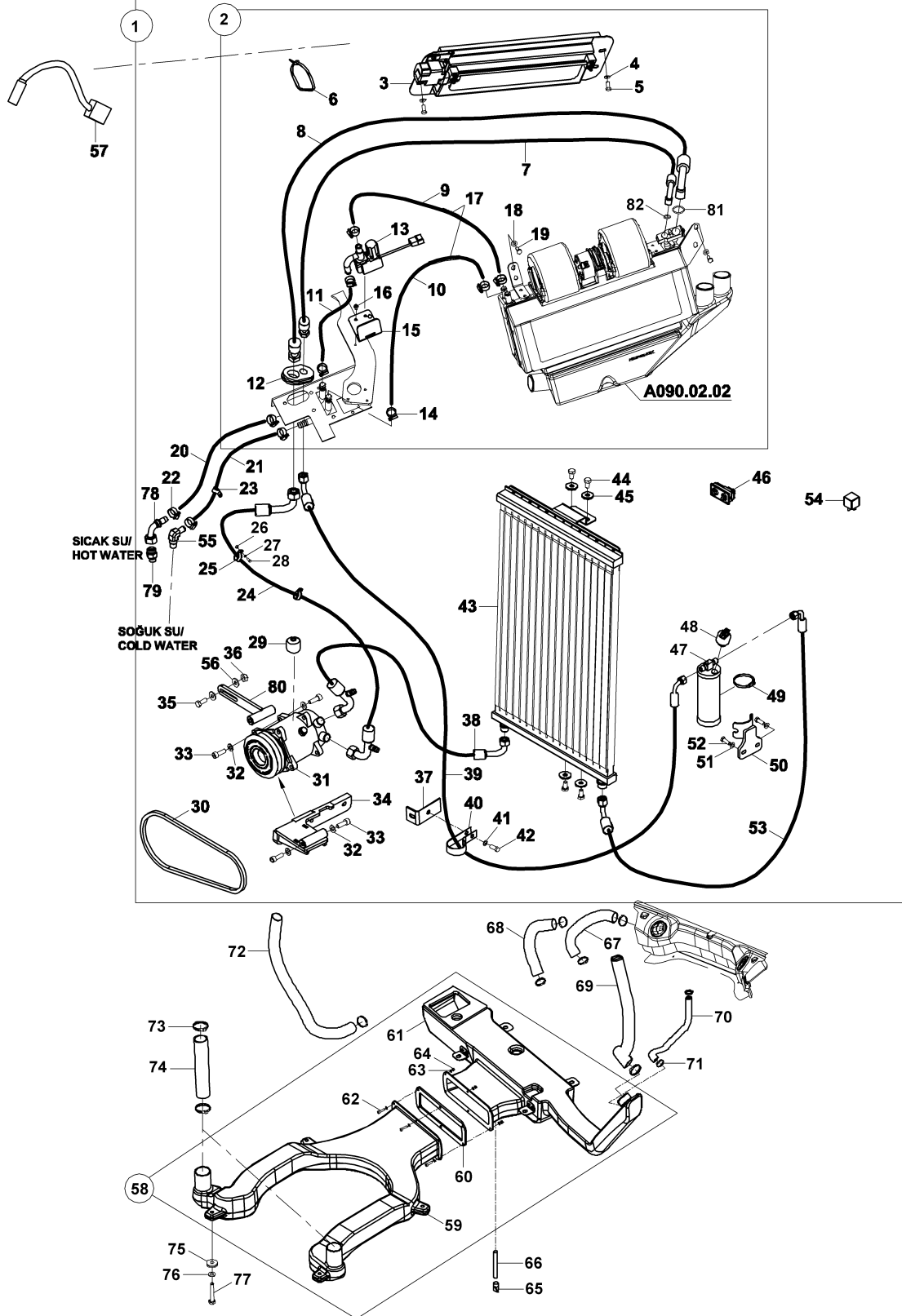
ISITMA, HAVALANDIRMA VE SOĞUTMA SİSTEMİ HEATING VENTING AIR CONDITIONING SYSTEM



ISITMA, HAVALANDIRMA VE SOĞUTMA SİSTEMİ
HEATING VENTING AIR CONDITIONING SYSTEM

No	Parça No	Parça Adı	Adet	S.K.	Bas.S.N	Bit.S.N	Y.K.	Not
No	Part no	Description	Qty	SC	S/N from	S/N to	ICA	Note
1	01750015	KLİMA ÜNİTESİ KOMPLESİ	1					
2	01829320	KLİMA KOMPLESİ	1					
3	F3112023	YÖNLENDİRİCİ, İÇ-DIŞ HAVA	1					
4	N030020004	PUL	4					
5	N010231514	CIVATA	4					M6x20
6	51011700	KABLO BAĞI	3					
7	6A14211076	HORTUM KOMPLESİ	1					
8	6A1A211102	HORTUM KOMPLESİ	1					
9	H067031508	HORTUM	1,2					METRE/METERS
10	H067031508	HORTUM	1,65					METRE/METERS
11	79901023	HORTUM	1					
12	81040072	GROMET	1					
13	F9929201	VANA, KALORİFER	1					
14	N074016025	KELEPÇE	4					Ø16- Ø25
15	02043056	BRAKET	1					
16	N049602042	VİDA	2					M6x16
17	H134201800	HORTUM KORUYUCU	2					
18	N030720006	PUL	2					
19	N010232114	CIVATA	3					M8x20
20	H067031508	HORTUM	2,5					METRE/METERS
21	H067031508	HORTUM	2,5					METRE/METERS
22	N074016025	KELEPÇE	4					Ø16- Ø25
23	N077002426	KELEPÇE	1					
24	6A1A615235	HORTUM KOMPLESİ	1					
25	N077003500	KELEPÇE	2					
26	N020358182	SOMUN	3					M8
27	N030810014	PUL	6					M8
28	N010232114	CIVATA	3					M8x20
29	Y0492800	TÜP, KLİMA GAZI	1					
30	N993600000	KAYIŞ, KLİMA	1					
31	F2520012	KOMPRESÖR	1					
32	N030810015	PUL	10					M10
33	N015890818	CIVATA	4					M10x30
34	01990045	BRAKET	1					
35	N010222462	CIVATA	1					M10x25
36	N025910086	SOMUN	1					M10
37	01993021	BRAKET	1					
38	6A17625130	HORTUM KOMPLESİ	1					
39	6A14611295	HORTUM KOMPLESİ	1					
40	N077002200	KELEPÇE	1					
41	N030810014	PUL	1					
42	N010232114	CIVATA	1					M8x20
43	F2594012	KONDENSER	1					
44	N010232078	CIVATA	4					M8x15
45	N030020111	PUL	6					M8

ISITMA, HAVALANDIRMA VE SOĞUTMA SİSTEMİ HEATING VENTING AIR CONDITIONING SYSTEM



**ISITMA, HAVALANDIRMA VE SOĞUTMA SİSTEMİ
HEATING VENTING AIR CONDITIONING SYSTEM**

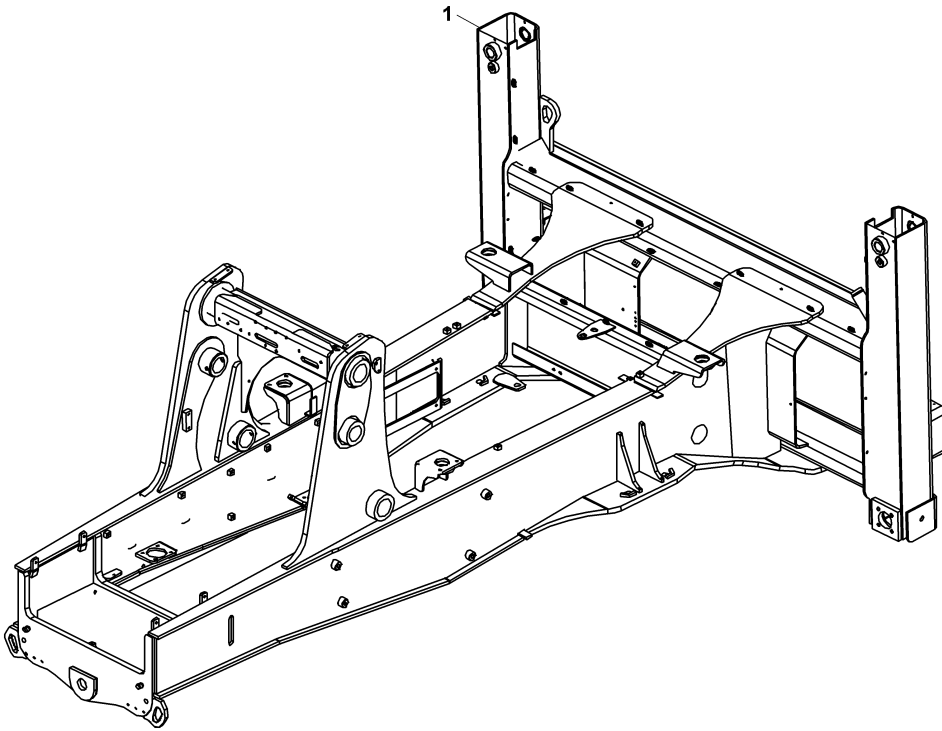
No	Parça No	Parça Adı		Adet	S.K.	Bas.S.N	Bit.S.N	Y.K.	Not
No	Part no	Description		Qty	SC	S/N from	S/N to	ICA	Note
46	52201032	KLİMA KUMANDA KOMPLESİ	A/C CONTROL ASS'Y	1					
47	F2594011	KURUTUCU	DRIER	1					
48	51520001	MÜŞİR, KLİMA	SWITCH, AC	1					
49	N074050070	KELEPÇE	CLAMP	4					
50	01991478	BRAKET	BRACKET	1					
51	N030810014	PUL	WASHER	2					
52	N010232114	CIVATA	BOLT	2					M8x20
53	6A14621047	HORTUM KOMPLESİ	HOSE ASS'Y	1					
54	54003410	RÖLE, UZUN FAR	RELAY	1					
55	80620200	DİRSEK	ELBOW	1					
56	N030020121	PUL	WASHER	2					M8
57	55400300	SENSÖR, SICAKLIK, DIŞ ORTAM	TEMPERATURE SENSOR, OUTDOOR	1					
58	01829673	HAVA KANALI KOMPLESİ	AIR CHANNEL ASS'Y	1					
59	02043007	HAVA KANALI	AIR CHANNEL	1					
60	81602015	CONTA	GASKET	1					
61	02043001	HAVA KANALI	AIR CHANNEL	1					
62	N015890326	CIVATA	BOLT	6					M6x25
63	N030100013	PUL	WASHER	12					
64	N025910050	SOMUN	NUT	6					
65	F2520460	TAHLİYE LASTİĞİ	EVACUATOR, A/C	1					
66	79900120	HORTUM, KLİMA TAHLİYE	HOSE	1					
67	79905063	HORTUM, KLİMA	HOSE, AC	1					
68	79905064	HORTUM, KLİMA	HOSE, AC	1					
69	79905062	HORTUM, KLİMA	HOSE, AC	1					
70	79905058	HORTUM, KLİMA	HOSE, AC	1					
71	N074016027	KELEPÇE	CLAMP	1					
72	79905060	HORTUM, KLİMA	HOSE, AC	1					
73	N074040070	KELEPÇE	CLAMP	4					
74	79905061	HORTUM, KLİMA	HOSE, AC	2					
75	80504300	PUL	WASHER	4					
76	N030810014	PUL	WASHER	4					M8
77	N010380410	CIVATA	BOLT	4					M8x50
78	N19610508	HORTUM BAŞLIĞI	FITTINGS, HOSE	1					
79	80624228	NİPEL	ADAPTER	1					
80	01990044	BRAKET	BRACKET	1					
81	N102001717	O-RİNG	O-RING	1					
82	N102000717	O-RİNG	O-RING	1					

B - ŐASI VE KAPORTA

B - FRAME & COWLING

Sayfa No / Page No	Sayfa Adı	Page Name	Revizyon / Revision
B010.13.01	ŐASI	MAIN FRAME	
B010.14.01	ŐASI (KAZAYAK) (OP)	MAIN FRAME (WING TYPE STABILIZER) (OP)	
B020.00.01	AYAK, KIZAK	STABILIZER, SIDESHIFT	
B020.01.01	AYAK, (KAZAYAK)	STABILIZER, (WING TYPE STABILIZER)	
B040.00.01	KIZAK PAPUCU	STABILIZER PADS	
B050.00.01	DÖNÜŐ TABLASI	KINGPOST CARRIAGE	
B050.01.01	DÖNÜŐ TABLASI (KAZAYAK)	KINGPOST CARRIAGE (WING TYPE STABILIZER)	
B060.00.01	DÖNÜŐ KUTUSU	KINGPOST	
B070.01.01	BOM KİLİDİ VE MEKANİZMASI	BOOM LOCK AND MECHANISM	
B070.02.01	BOM KİLİDİ VE MEKANİZMASI (KAZAYAK)	BOOM LOCK AND MECHANISM (WING TYPE STABILIZER)	
B080.01.01	KAPUT - PANEL - PANJUR - YAN KAPAK MONTAJI	BONNET - PANEL - FRONT GRILL - SIDE COVER MOUNTING	
B090.03.01	ÖN TEKER VE ÇAMURLUK	FRONT WHELL AND FENDER	
B090.04.01	ÇAMURLUK, ÖN	FENDER , FRONT	
B100.03.01	ÇAMURLUK, ARKA	FENDER, REAR	

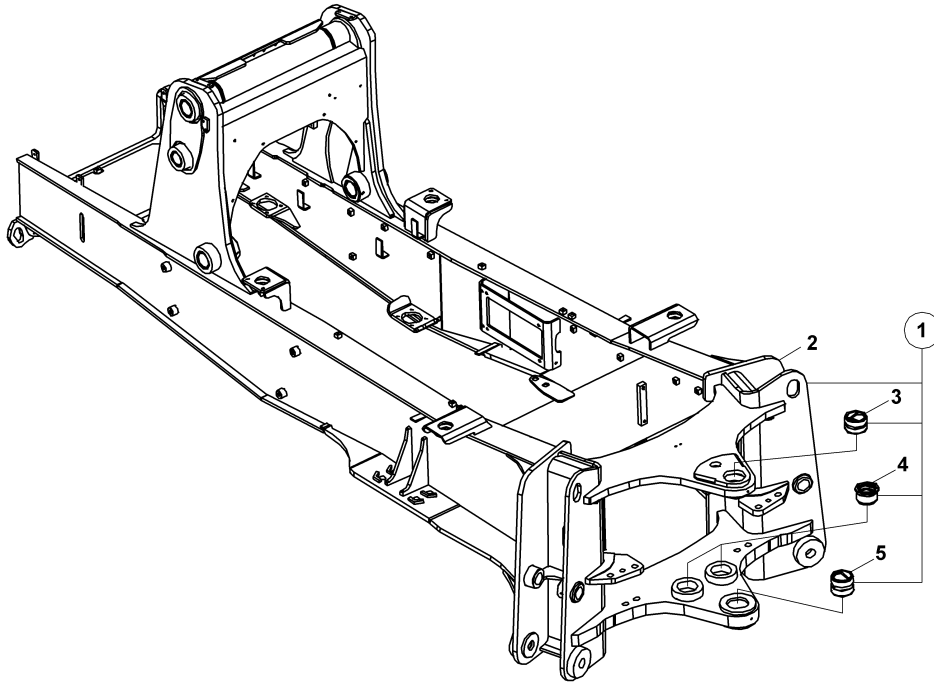
ŞASI
MAIN FRAME



**ŞASI
MAIN FRAME**

No	Parça No	Parça Adı	Adet	S.K.	Bas.S.N	Bit.S.N	Y.K.	Not
No	Part no	Description	Qty	SC	S/N from	S/N to	ICA	Note
0	01711027	ŞASI KOMPLE	1					
1	01920487	ŞASI	1					

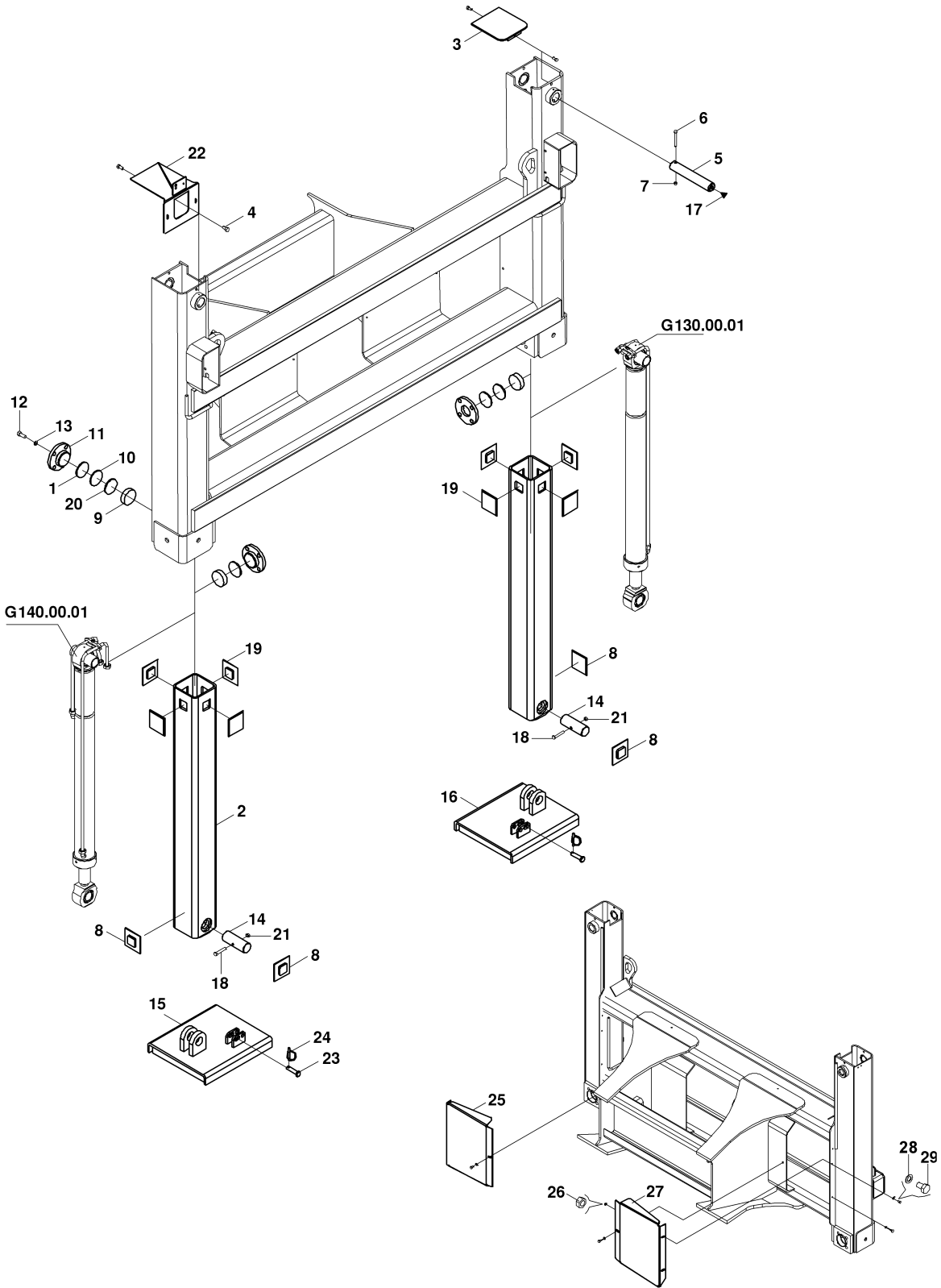
ŞASI (KAZAYAK) (OP)
MAIN FRAME (WING TYPE STABILIZER) (OP)



ŞASI (KAZAYAK) (OP)
MAIN FRAME (WING TYPE STABILIZER) (OP)

No	Parça No	Parça Adı	Adet	S.K.	Bas.S.N	Bit.S.N	Y.K.	Not
No	Part no	Description	Qty	SC	S/N from	S/N to	ICA	Note
0	01711028	ŞASI KOMPLE	1					
1	01894109	ŞASI KOMPLESİ	1					
2	01920488	ŞASI	1					
3	80201446	BURÇ	1					
4	80203260	BURÇ	2					
5	80201447	BURÇ	1					

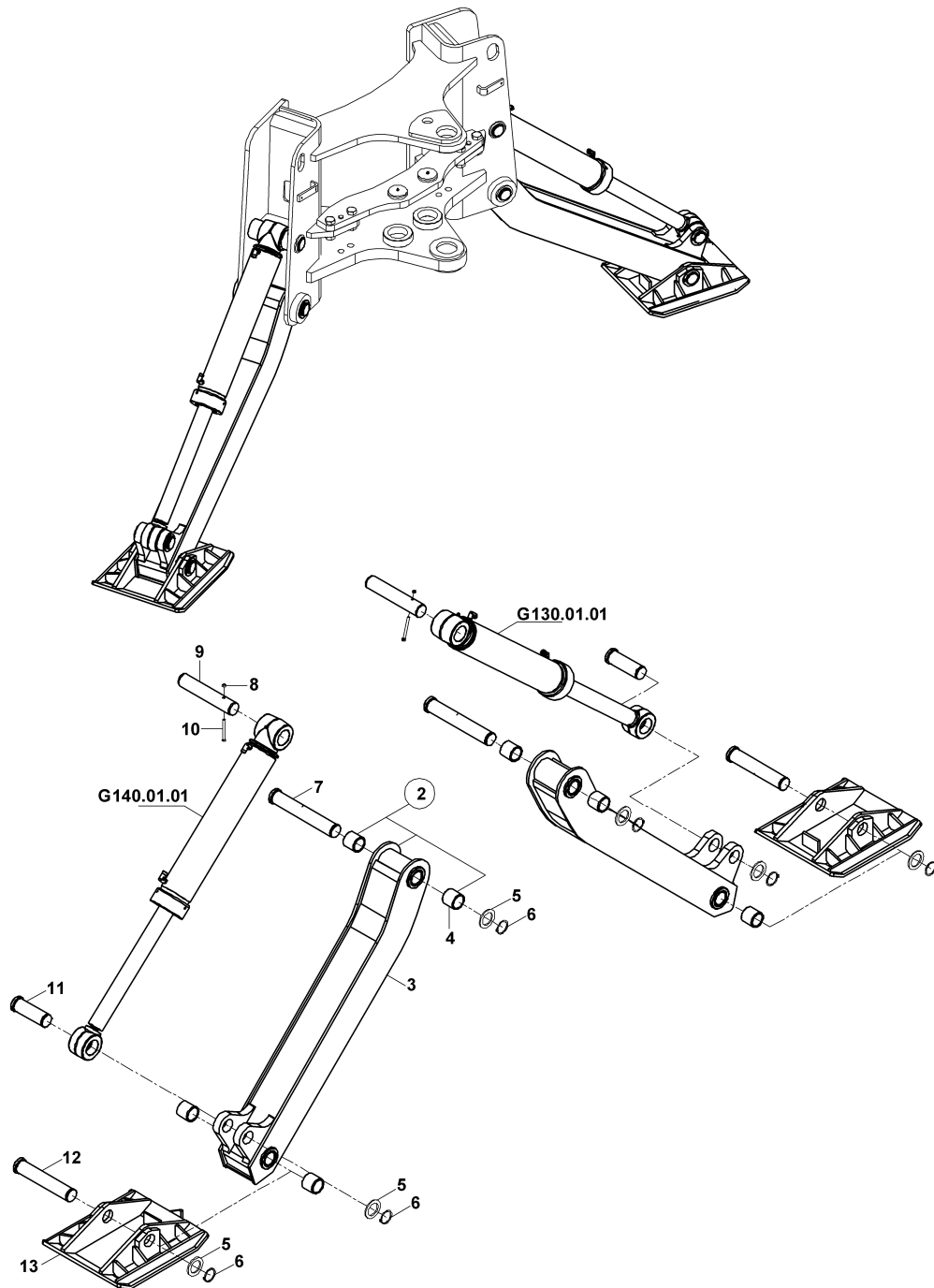
AYAK, KIZAK STABILIZER, SIDESHIFT



**AYAK, KIZAK
STABILIZER, SIDESHIFT**

No	Parça No	Parça Adı	Description	Adet	S.K.	Bas.S.N	Bit.S.N	Y.K.	Not
No	Part no			Qty	SC	S/N from	S/N to	ICA	Note
1	02002825	ŞİM	SHIM	2					
2	01990203	İÇ AYAK	LEG, STABILISER, INNER	2					
3	01990160	KAPAK	COVER	1					
4	N010232114	CIVATA	BOLT	4					
5	80102035	PİM	PIN	2					
6	N010380493	CIVATA	BOLT	2					
7	N025910062	SOMUN	NUT	2					
8	F9977120	POLYAMİD YATAK	SLIDING PAD	4					
9	F9974020	POLYAMİD YATAK	SLIDING PAD	4					
10	02000991	ŞİM	SHIM 0.5,1,2,3,4 mm	4					
11	01990163	KAPAK	COVER	4					
12	N010233554	CIVATA	BOLT	16					
13	N031170029	PUL	WASHER	16					
14	80105082	PİM	PIN	2					
15	01990244	AYAK PABUCU, SOL	FOOT, RIGHT WITH LOCK	1					
16	01990243	AYAK PABUCU, SAĞ	FOOT, RIGHT WITH LOCK	1					
17	N081210020	NİPEL, GRES	NIPPLE, GREASE	2					
18	N010381008	CIVATA	BOLT	2					
19	F9977121	POLYAMİD YATAK	SLIDING PAD	8					
20	02002827	ŞİM	SHIM	2					
21	N025910122	SOMUN	NUT	2					
22	01992810	SAC, PLAKA	BRACKET, REGISTRATION PLATE	1					
23	80110026	PİM	PIN	2					
24	N063006042	HALKALI PİM	PIN, LINCH	2					
25	02011713	ÇAMURLUK SACI, SAĞ	FENDER, REAR, RIGHT	1					
26	N025900062	SOMUN	NUT	6					M8
27	02011712	ÇAMURLUK SACI, SOL	FENDER, REAR, LEFT	1					
28	N030810014	PUL	WASHER	6					
29	N010232078	CIVATA	BOLT	6					M8x12

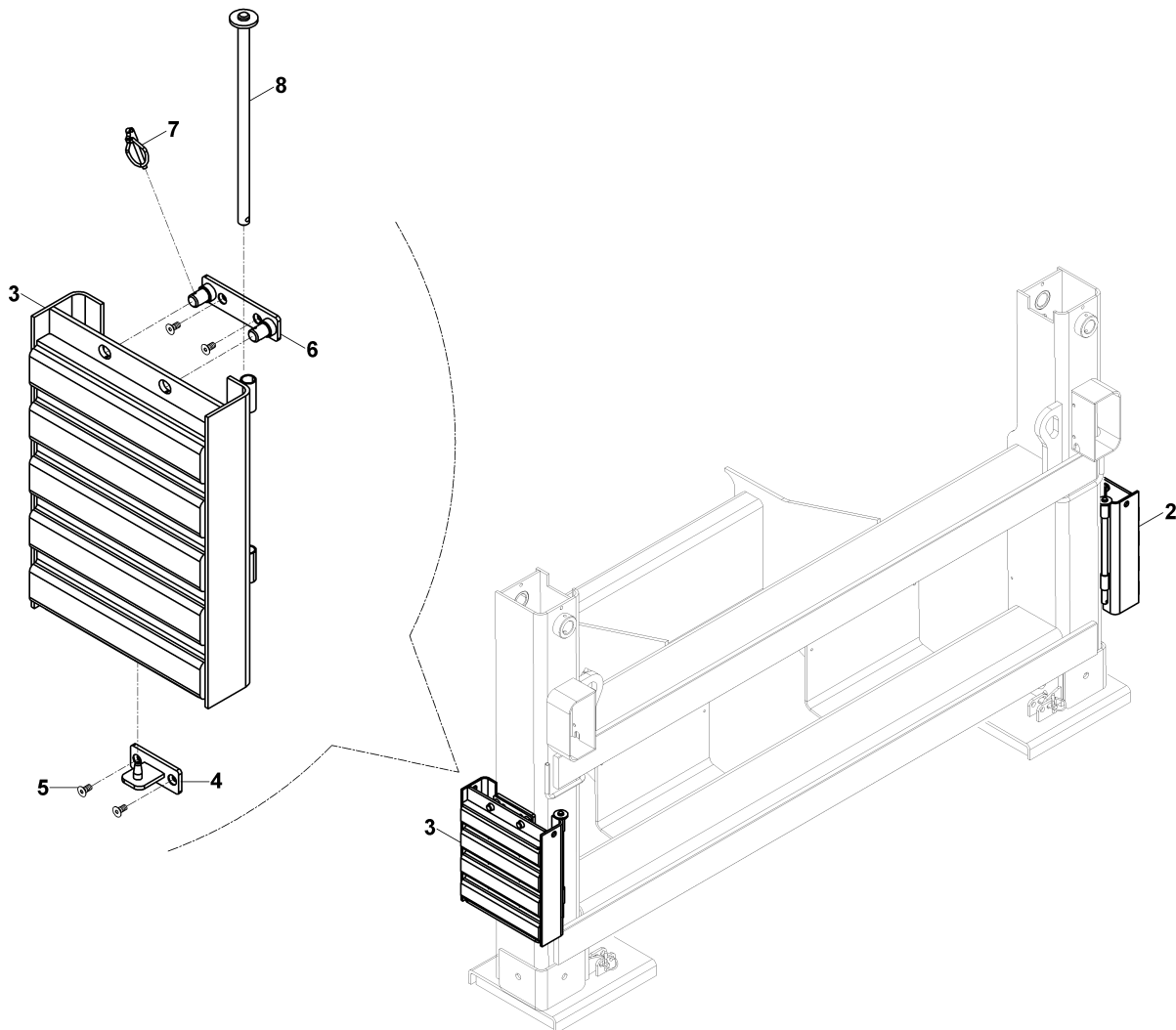
AYAK, (KAZAYAK)
STABILIZER, (WING TYPE STABILIZER)



**AYAK, (KAZAYAK)
STABILIZER, (WING TYPE STABILIZER)**

No	Parça No	Parça Adı	Adet	S.K.	Bas.S.N	Bit.S.N	Y.K.	Not
No	Part no	Description	Qty	SC	S/N from	S/N to	ICA	Note
0	01712001	AYAK KOMPLE	1					
2	01832305	AYAK MONTAJI	1					
3	01990205	AYAK	1					
4	80201385	BURÇ	4					
5	80500503	PUL	6					
6	N050020891	SEGMAN	6					
7	80105140	PİM	2					
8	N025910062	SOMUN	2					M8
9	80102232	PİM	2					
10	N010380518	CIVATA	2					M8x90
11	80111250	PİM	2					
12	80105150	PİM	2					
13	01990220	AYAK PAPUCU	2					

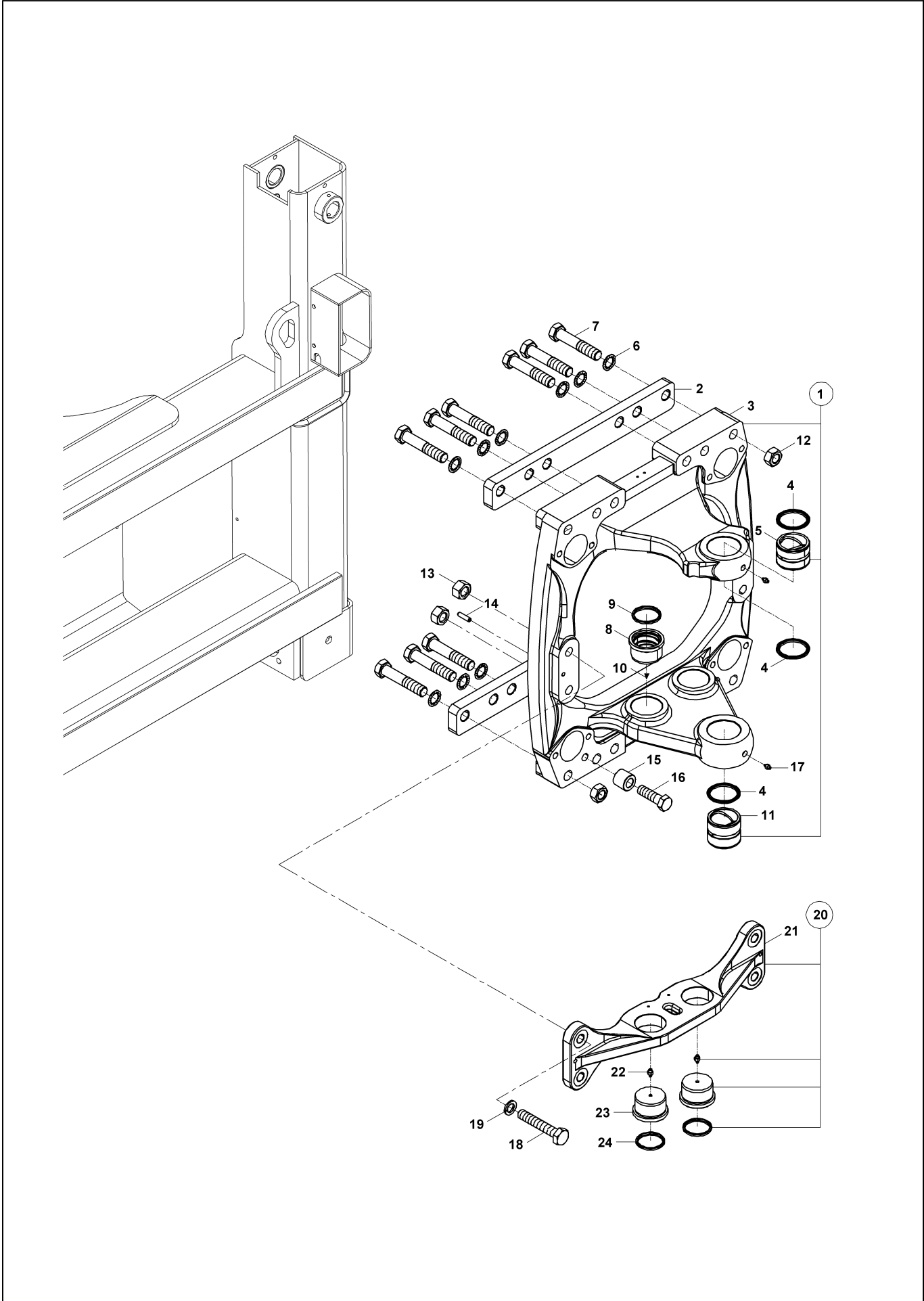
KIZAK PAPUCU STABILIZER PADS



**KIZAK PAPUCU
STABILIZER PADS**

No	Parça No	Parça Adı	Adet	S.K.	Bas.S.N	Bit.S.N	Y.K.	Not
No	Part no	Description	Qty	SC	S/N from	S/N to	ICA	Note
0	01767000	AYAK PABUCU KOMPLESİ, KAUÇUK	1					
2	81099912	AYAK PABUCU, KAUÇUK, SAĞ	1					
3	81099917	AYAK PABUCU, KAUÇUK, SOL	1					
4	01992830	BRAKET	2					
5	N044320470	VİDA	8					M8x12
6	01992831	BRAKET	2					
7	N063006042	HALKALI PİM	4					
8	81117706	PİM	2					

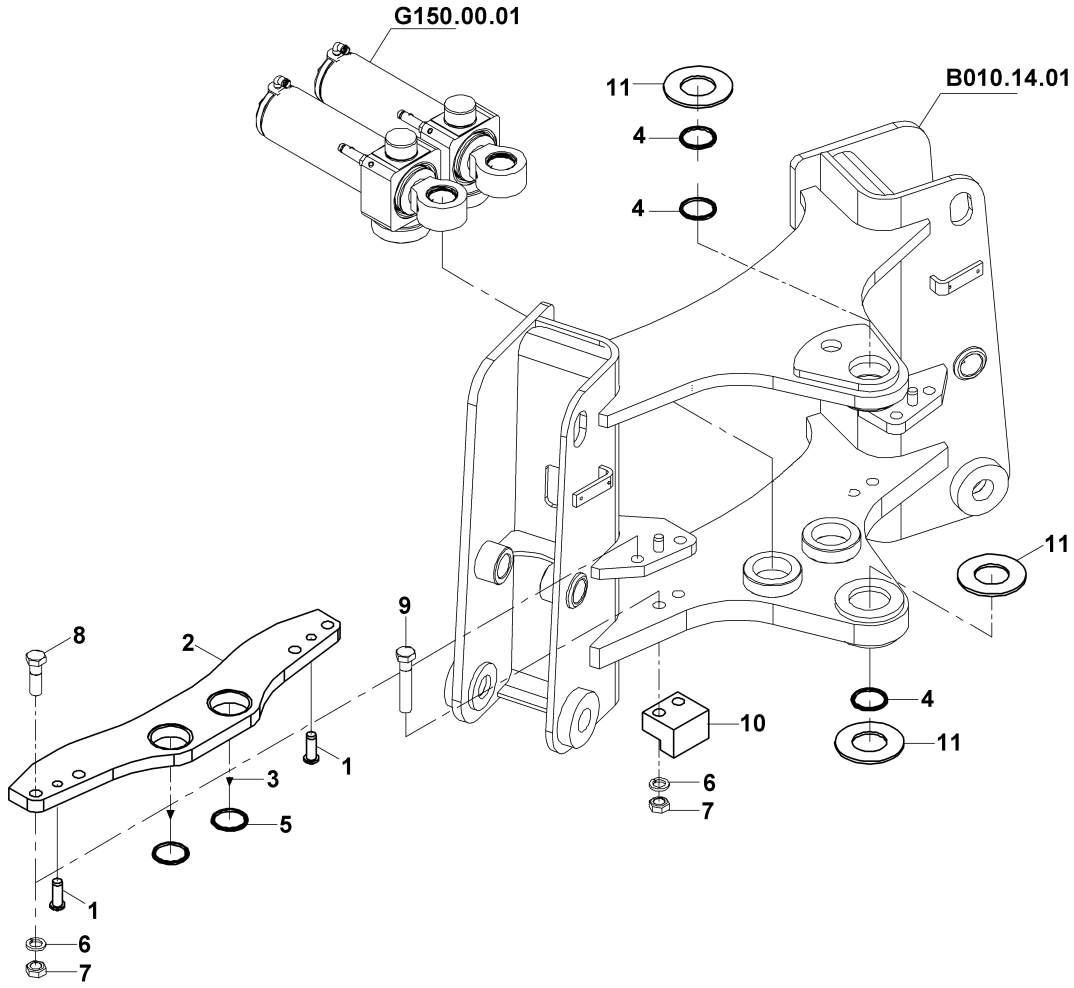
DÖNÜŞ TABLASI KINGPOST CARRIAGE



DÖNÜŞ TABLASI KINGPOST CARRIAGE

No	Parça No	Parça Adı	Description	Adet	S.K.	Bas.S.N	Bit.S.N	Y.K.	Not
No	Part no			Qty	SC	S/N from	S/N to	ICA	Note
1	01833451	DÖNÜŞ TABLASI KOMPLESİ	KINGPOST CARRIAGE ASS'Y	1					
2	02021585	KIZAK LAMASI	MOUNTING PLATE, SIDESHIFT	2					
3	02041100	DÖNÜŞ TABLASI	KINGPOST CARRIAGE	1					
4	N105708505	TOZ KEÇESİ	SEAL DUST	3					
5	80201446	BURÇ	BUSHING	1					
6	N033000100	PUL	WASHER	12					M27
7	N010385017	CIVATA	BOLT	12					M27x150
8	80203260	BURÇ	BUSHING	2					
9	N105657505	TOZ KEÇESİ	SEAL DUST	2					
10	N081210020	NİPEL, GRES	NIPPLE, GREASE	4					
11	80201447	BURÇ	BUSHING	1					
12	N023570494	SOMUN	NUT	12					M27x3
13	N023580446	SOMUN	NUT	4					M24
14	N156452168	PİM	PIN	2					
15	80201626	BURÇ	BUSHING	2					
15	80201624	BURÇ	BUSHING	2					700-800-900 KEPÇE/BUCKET
16	N010235030	CIVATA	BOLT	2					M24x50
16	N010382006	CIVATA	BOLT	2					700-800-900 KEPÇE/BUCKET
17	N081210020	NİPEL, GRES	NIPPLE, GREASE	2					
18	N010382112	CIVATA	BOLT	4					M24x140
19	N030800005	PUL	WASHER	4					
20	01890138	HAMUT BAĞLANTISI KOMPLESİ	MOUNTING BRACKET ASS'Y	1					
21	02042000	HAMUT BAĞLANTISI	MOUNTING BRACKET	1					
22	N081210020	NİPEL, GRES	NIPPLE, GREASE	2					
23	80203260	BURÇ	BUSHING	2					
24	N105657505	TOZ KEÇESİ	SEAL DUST	2					

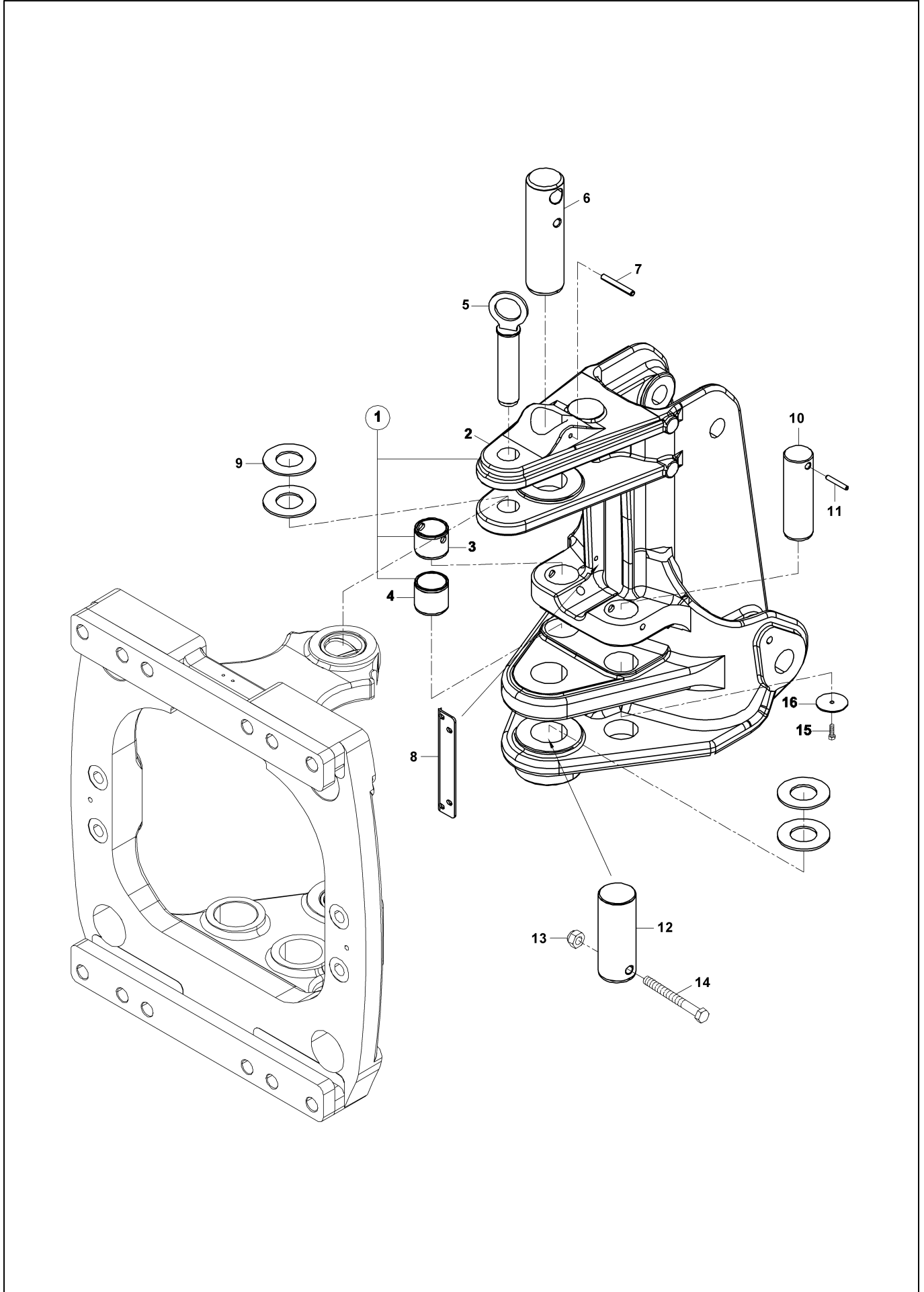
DÖNÜŞ TABLASI (KAZAYAK) KINGPOST CARRIAGE (WING TYPE STABILIZER)



DÖNÜŞ TABLASI (KAZAYAK)
KINGPOST CARRIAGE (WING TYPE STABILIZER)

No	Parça No	Parça Adı	Description	Adet	S.K.	Bas.S.N	Bit.S.N	Y.K.	Not
No	Part no			Qty	SC	S/N from	S/N to	ICA	Note
1	80100910	PİM	PIN	2					
2	02021405	HAMUT BAĞLANTISI	MOUNTING PLATE	1					
3	N081210020	NİPEL, GRES	NIPPLE, GREASE	6					
4	N105708505	TOZ KEÇESİ	SEAL DUST	3					
5	N105657505	TOZ KEÇESİ	SEAL DUST	4					
6	N031170040	PUL	WASHER	8					M24
7	N023570446	SOMUN	NUT	8					M24
8	N010382006	CIVATA	BOLT	4					M24x80
9	N010382090	CIVATA	BOLT	4					M24x130
10	02021034	TAHDİT	STOPPER	2					
11	F9973140	BASKI PULU, 6 mm	THRUST WASHER, 6 mm	3					6 mm
11	F9973136	BASKI PULU, 4 mm	THRUST WASHER, 4 mm	*	A,GK				4 mm
11	F9973137	BASKI PULU, 4,5 mm	THRUST WASHER, 4.5 mm	*	A,GK				4.5 mm
11	F9973138	BASKI PULU, 5 mm	THRUST WASHER, 5 mm	*	A,GK				5 mm
11	F9973139	BASKI PULU, 5,5 mm	THRUST WASHER, 5.5 mm	*	A,GK				5.5 mm

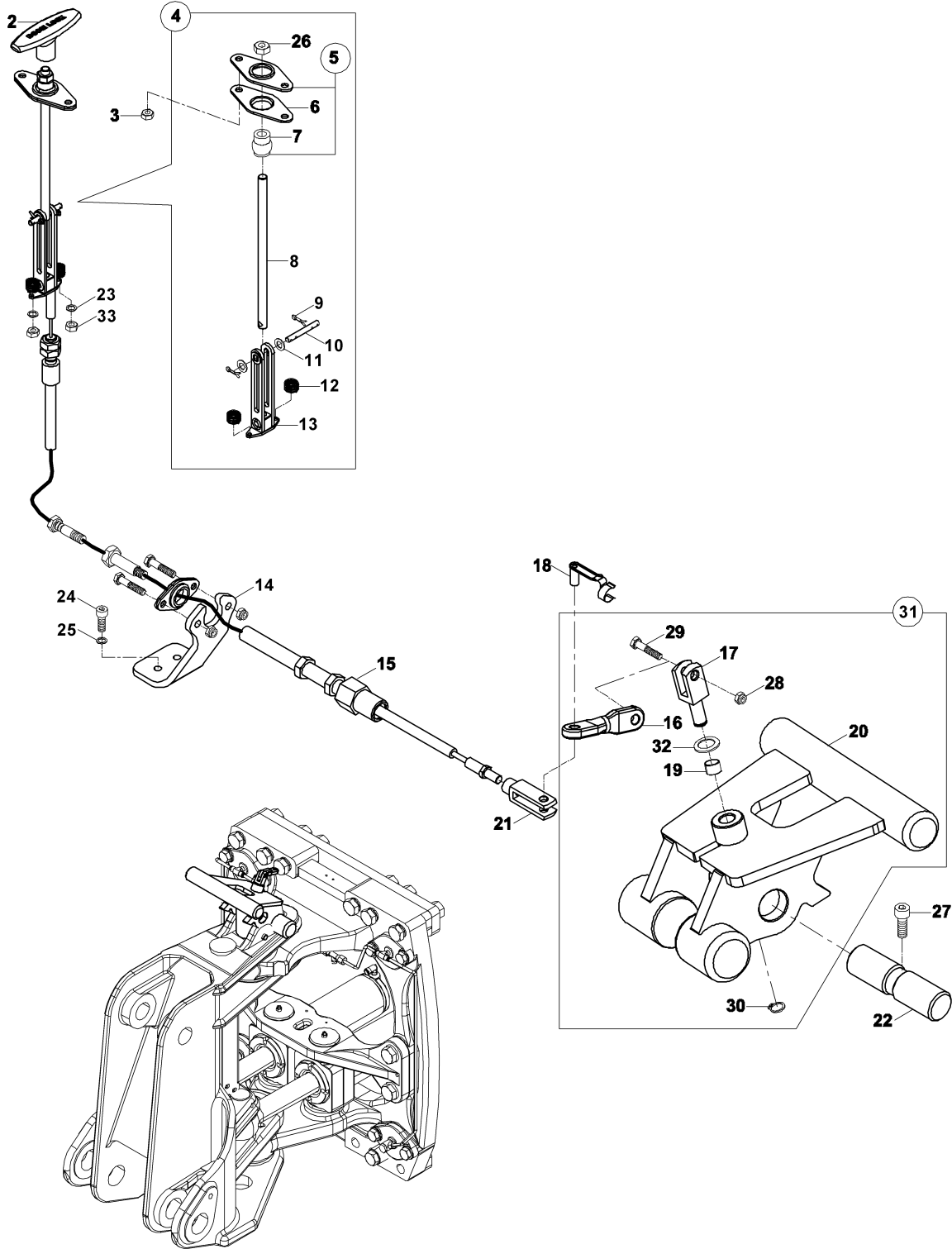
DÖNÜŞ KUTUSU KINGPOST



DÖNÜŞ KUTUSU KINGPOST

No	Parça No	Parça Adı	Description	Adet	S.K.	Bas.S.N	Bit.S.N	Y.K.	Not
No	Part no			Qty	SC	S/N from	S/N to	ICA	Note
1	01833455	DÖNÜŞ KUTUSU	KINGPOST CARRIAGE	1				C	
2	N010381418	CIVATA	BOLT	1					M16x150
3	N025910182	SOMUN	NUT	1					M16
4	80102312	PİM	PIN	1					
5	81101017	PİM	PIN	1					
6	80102315	PİM	PIN	1					
7	N156453498	PİM	PIN	1					
8	81049004	HORTUM TUTUCU	HOSE HOLDER	1					
9	F9973140	BASKI PULU, 6 mm	THRUST WASHER, 6 mm	4					
9	F9973136	BASKI PULU, 4 mm	THRUST WASHER, 4 mm	*	A,GK				
9	F9973137	BASKI PULU, 4,5 mm	THRUST WASHER, 4.5 mm	*	A,GK				
9	F9973138	BASKI PULU, 5 mm	THRUST WASHER, 5 mm	*	A,GK				
9	F9973139	BASKI PULU, 5,5 mm	THRUST WASHER, 5.5 mm	*	A,GK				
9	F9973141	BASKI PULU, 6,5 mm	THRUST WASHER, 6.5 mm	*	A,GK				
10	80102280	PİM	PIN	2					
10	80102280	PİM	PIN	2					
11	N156452538	PİM	PIN	2					
12	02041024	DÖNÜŞ KUTUSU	KINGPOST CARRIAGE	1					
13	80201558	BURÇ	BUSHING	2					
14	80201579	BURÇ	BUSHING	2					
15	N010232462	CIVATA	BOLT	2					M10x25
16	80507036	PUL	WASHER	2					

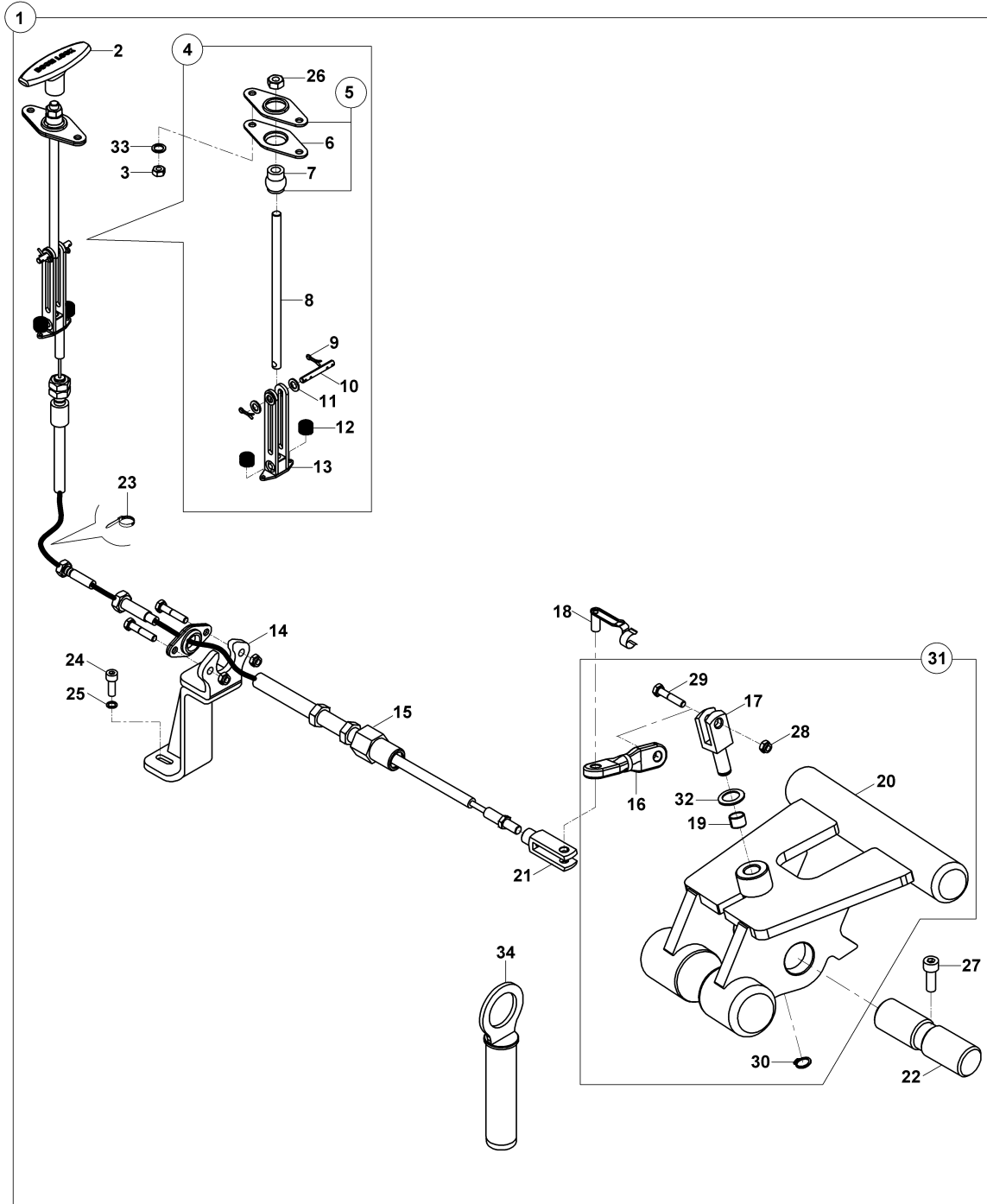
**BOM KİLİDİ VE MEKANİZMASI
BOOM LOCK AND MECHANISM**



**BOM KİLİDİ VE MEKANİZMASI
BOOM LOCK AND MECHANISM**

No	Parça No	Parça Adı	Description	Adet	S.K.	Bas.S.N	Bit.S.N	Y.K.	Not
No	Part no			Qty	SC	S/N from	S/N to	ICA	Note
2	81014485	ELCİK	HANDLE	1					
3	N023570578	SOMUN	NUT	2					M6
4	01833175	ÇATAL-ELCİK KOMPLESİ	YOKE- HANDLE ASSY.	1					
5	F9960165	MAFSAL KOMPLESİ	JOINT ASS'Y	1					
6	F9960166	SAC	PLATE	2					
7	F9960162	BURÇ	BUSHING	1					
8	02021549	ÇUBUK	ROD	1					
9	N061002015	GUPİLYA	COTTER PIN	2					
10	80100555	PİM	PIN	1					
11	N030312071	PUL	WASHER	2					
12	80702420	YAY	SPRING	2					
13	01992970	ÇATAL	YOKE	1					
14	02002876	BRAKET	BRACKET	1					
15	F3113120	TEL KOMPLESİ	CABLE ASS'Y	1					
16	02040065	MAFSAL	JOINT	1					
17	81014646	ÇATAL	YOKE	1					
18	F9960121	KİLİTLİ PİM	PIN, CLEVIS	1					
19	H906126500	YATAK BURCU	BEARING						
20	01991222	BOM KİLİDİ K.K	BOOM LOCKING W.A.	1					
21	F9960120	ÇATAL	YOKE	1					
22	80116200	PİM	PIN	1					
23	N030100013	PUL	WASHER	2					M6
24	N015870314	CIVATA	BOLT	2					M6x20
25	N030100013	PUL	WASHER	2					M6
26	N023570182	SOMUN	NUT	1					M8
27	N015890434	CIVATA	BOLT	1					M8x12
28	N025910062	SOMUN	NUT	1					M8
29	N010232162	CIVATA	BOLT	1					M8x30
30	N050020019	SEGMAN	RETAINING RING	1					
31	01833180	BOM KİLİDİ KOMPLESİ	BOOM LOCKING ASSY.	1					
32	N030312202	PUL	WASHER	1					
33	N025910050	SOMUN	NUT	1					

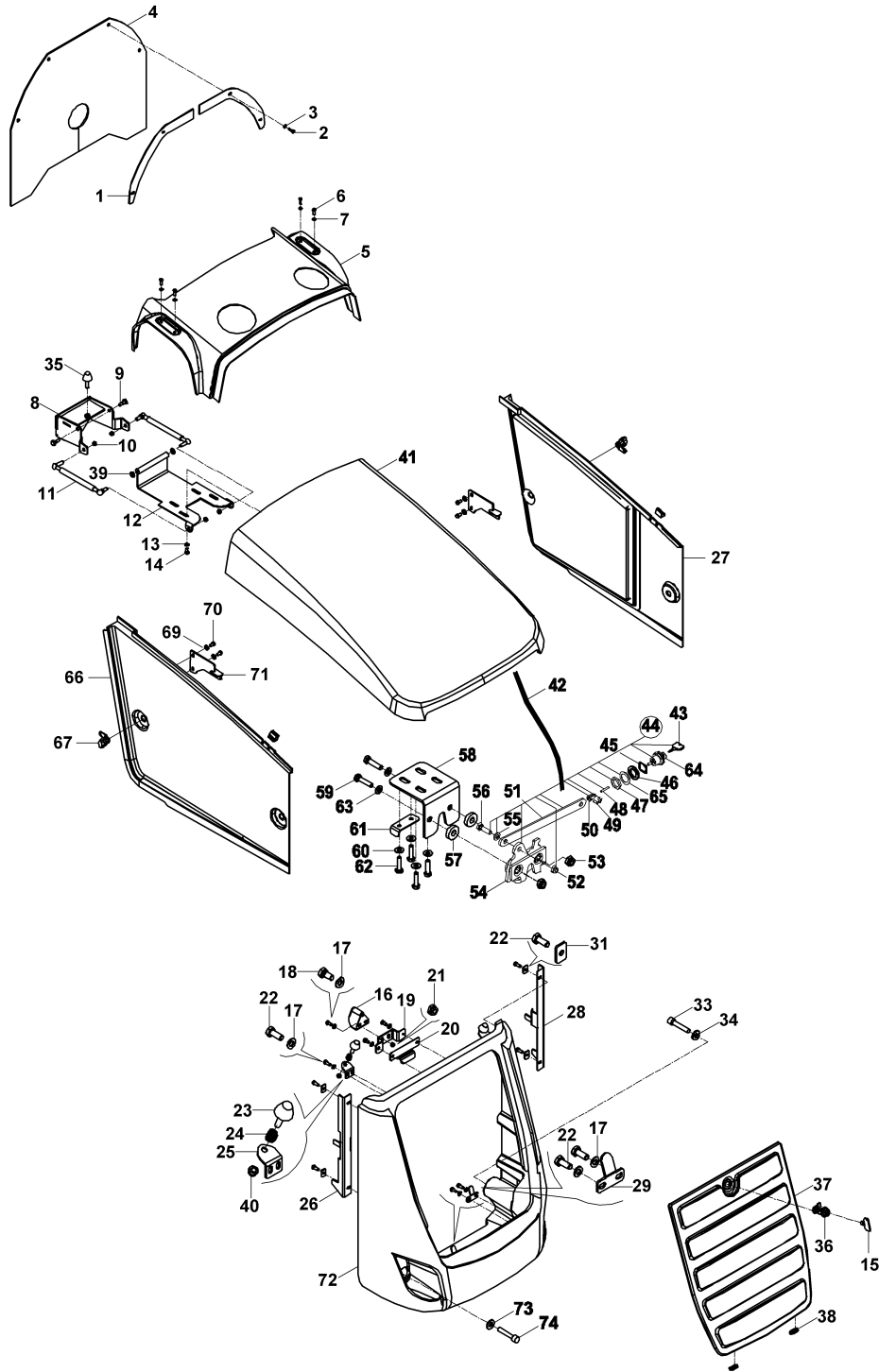
BOM KİLİDİ VE MEKANİZMASI (KAZAYAK) BOOM LOCK AND MECHANISM (WING TYPE STABILIZER)



**BOM KİLİDİ VE MEKANİZMASI (KAZAYAK)
BOOM LOCK AND MECHANISM (WING TYPE STABILIZER)**

No	Parça No	Parça Adı	Adet	S.K.	Bas.S.N	Bit.S.N	Y.K.	Not
No	Part no	Description	Qty	SC	S/N from	S/N to	ICA	Note
0	01719002	BOM KİLİT KOMPLE	1					
2	81014485	ELCİK	1					
3	N023580578	SOMUN	2					M6
4	01833175	ÇATAL-ELCİK KOMPLESİ	1					
5	F9960165	MAFSAL KOMPLESİ	1					
6	F9960166	SAC	2					
7	F9960162	BURÇ	1					
8	02021549	ÇUBUK	1					
9	N061002015	GUPİLYA	2					
10	80100555	PİM	1					
11	N030312071	PUL	2					
12	80702420	YAY	2					
13	01992970	ÇATAL	1					
14	81010821	BRAKET	1					
15	F3113110	TEL KOMPLESİ	1					
16	02040065	MAFSAL	1					
17	81014646	ÇATAL	1					
18	F9960121	KİLİTLİ PİM	1					
19	H906126500	YATAK BURCU	1					
20	01991222	BOM KİLİDİ K.K	1					
21	F9960120	ÇATAL	1					
22	80116200	PİM	1					
23	81101016	PİM	1					
24	N015870314	CIVATA	2					M6x20
25	N030100013	PUL	2					M6
26	N023580182	SOMUN	1					M8
27	N015890434	CIVATA	1					M8x12
28	N025910062	SOMUN	1					M8
29	N010232162	CIVATA	1					M8x30
30	N050020019	SEGMAN	1					
31	01833180	BOM KİLİDİ KOMPLESİ	1					
32	51012200	KABLO BAĞI	1					
33	N030312202	PUL	1					

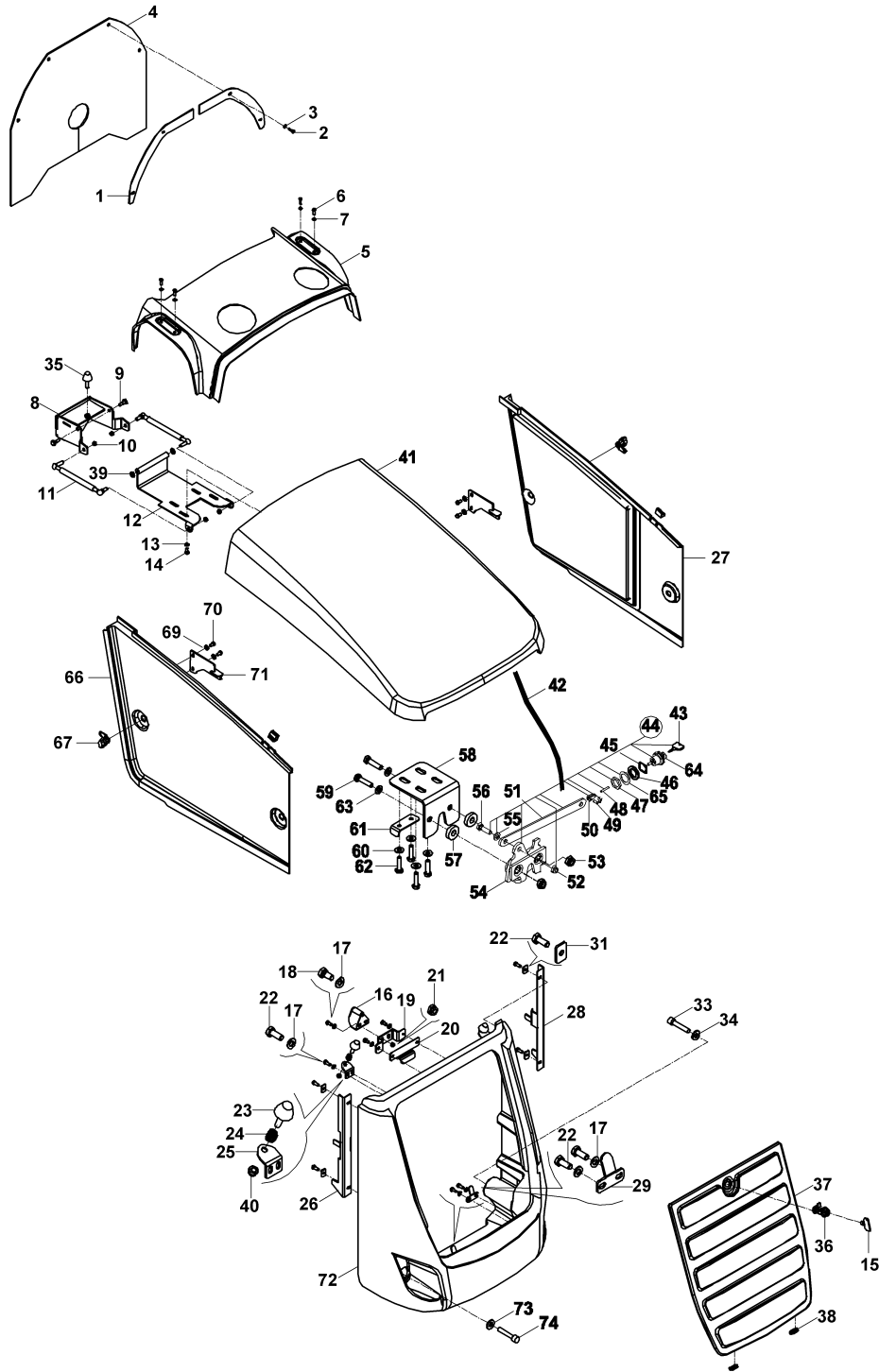
KAPUT - PANEL - PANJUR - YAN KAPAK MONTAJI
BONNET - PANEL - FRONT GRILL - SIDE COVER MOUNTING



**KAPUT - PANEL - PANJUR - YAN KAPAK MONTAJI
BONNET - PANEL - FRONT GRILL - SIDE COVER MOUNTING**

No	Parça No	Parça Adı	Adet	S.K.	Bas.S.N	Bit.S.N	Y.K.	Not
No	Part no	Description	Qty	SC	S/N from	S/N to	ICA	Note
1	02002345	SAC	2					
2	N010232114	CIVATA	4					M8x20
3	N030810014	PUL	4					M8
4	02040192	LASTİK, HAVA PERDESİ	1					
4	02043028	LASTİK, HAVA PERDESİ	1					
5	02040678	KAPLAMA	1					
6	N010231514	CIVATA	4					M6x20
7	N030020004	PUL	4					M6
8	01993000	BRAKET	1					
9	81300160	CIVATA	2					
10	N025910086	SOMUN	4					M10
11	F9951020	AMORTİSÖR	2					
12	01993007	MENTEŞE	1					
13	N030810015	PUL	4					M10
14	N010232486	CIVATA	4					M10x30
15	F9960272	ANAHTAR	1					
16	01993006	KİLİT KARŞILIĞI	1					
17	N030810014	PUL	10					M8
18	N010232078	CIVATA	8					M8x16
19	02012581	SAC	1					
20	02012580	SAC	1					
21	N025910062	SOMUN	2					M8
22	N010232114	CIVATA	12					M8x20
23	81040041	TAHDİT TAKOZU	2					
24	80706650	YAY	2					
25	02012582	BRAKET	2					
26	01993002	DESTEK SACI K.K., SOL	1					
27	01826518	YAN KAPUT KOMPLESİ, SOL	1					
28	01993003	DESTEK SACI K.K., SAĞ	1					
29	02012578	BRAKET	2					
31	80501018	PUL	4					
33	N015904692	CIVATA	2					M22x90
34	N030800004	PUL	2					M12
35	81040041	TAHDİT TAKOZU	1					
36	F9960017	KİLİT	1					
37	01923856	ÖN PANJUR	1					
38	81040086	GROMET	2					
39	80507014	PUL	2					
40	N025910086	SOMUN	2					M10
41	02040685	ÜST KAPUT	1					
42	F9960500	HALAT, KAPUT ÇEKME	1					
43	F9960271	ANAHTAR	1					
44	01826155	KİLİT, KAPUT	1					
45	80900200	CONTA	1					
46	81040092	CONTA	1					
47	N023580158	SOMUN	1					M6
48	N043120664	VİDA	1					M6x40

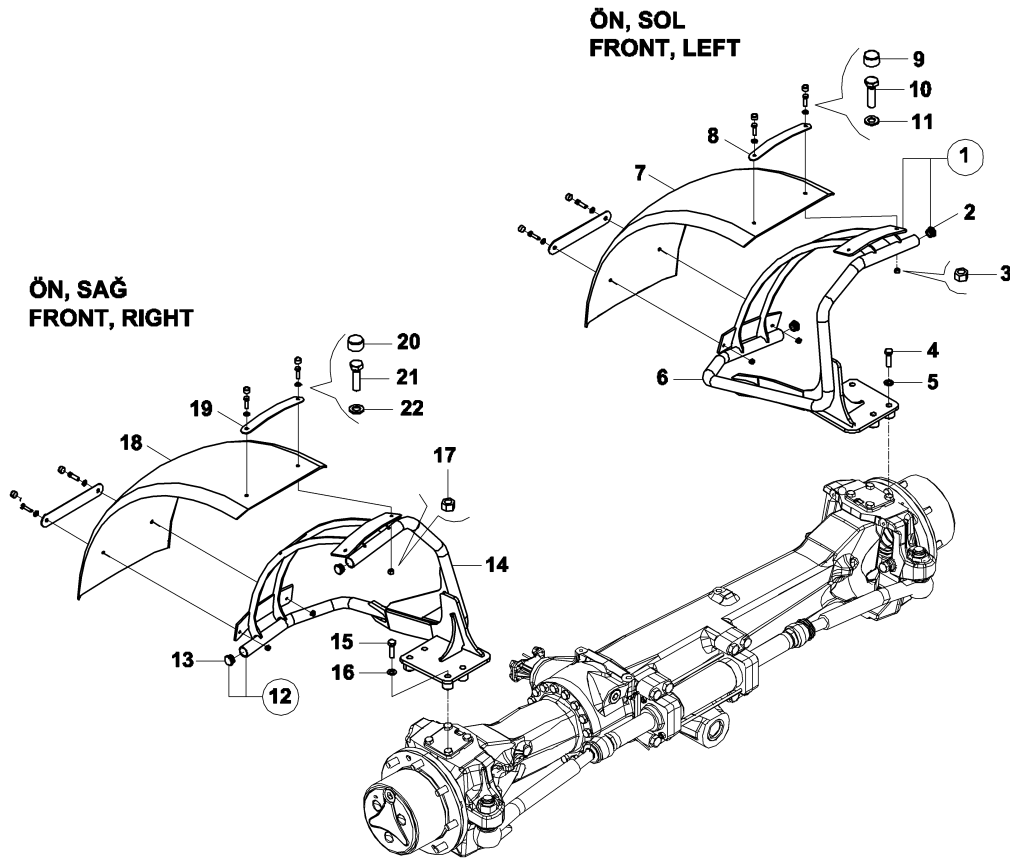
KAPUT - PANEL - PANJUR - YAN KAPAK MONTAJI
BONNET - PANEL - FRONT GRILL - SIDE COVER MOUNTING



KAPUT - PANEL - PANJUR - YAN KAPAK MONTAJI
BONNET - PANEL - FRONT GRILL - SIDE COVER MOUNTING

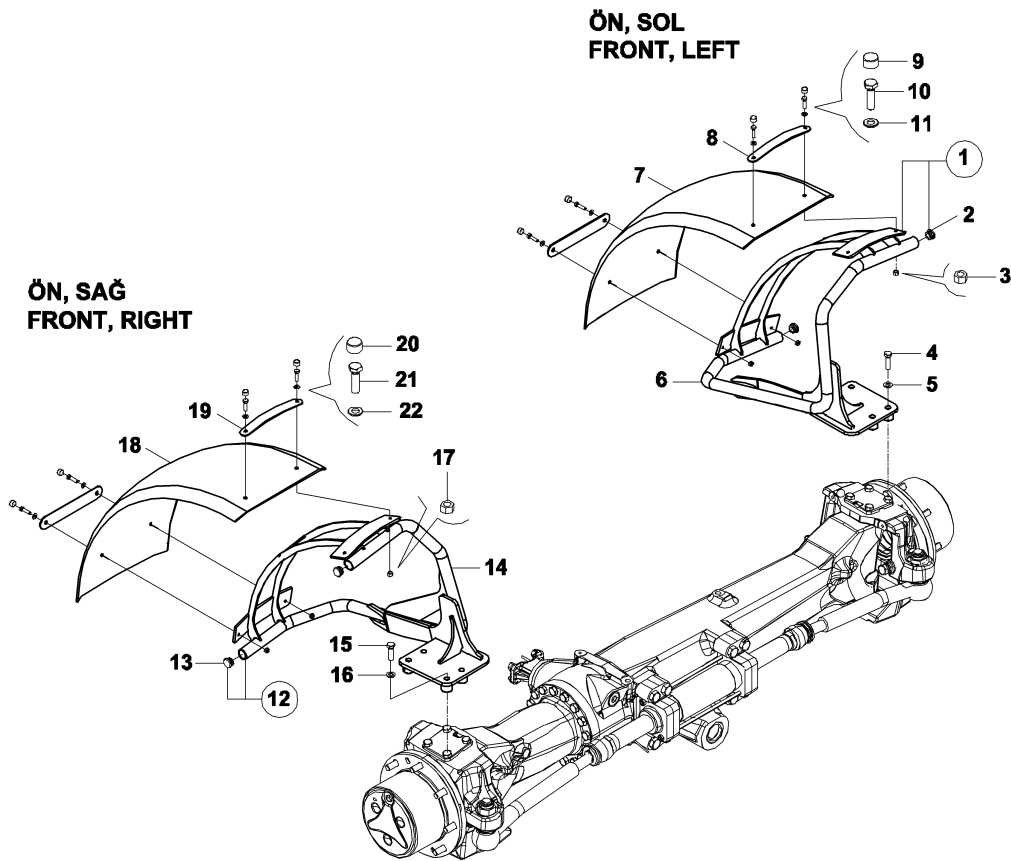
No	Parça No	Parça Adı	Adet	S.K.	Bas.S.N	Bit.S.N	Y.K.	Not
No	Part no	Description	Qty	SC	S/N from	S/N to	ICA	Note
49	F9960102	PİM	1					
50	F9960101	ÇATAL	1					
51	02002907	LEVYE, KİLİT	1					
52	N025910050	SOMUN	1					M6
53	N025910062	SOMUN	4					M8
54	F9960260	KİLİT	1					
55	N030100013	PUL	4					M6
56	N010231514	CIVATA	1					M6x20
57	80500033	PUL	1					
58	02012579	BRAKET	1					
59	N010232174	CIVATA	2					M8x35
60	N030020004	PUL	4					M6
61	02012601	SAC	1					
62	N010231574	CIVATA	4					M6x30
63	N030810014	PUL	2					M8
64	F9960270	DÜĞME, KİLİT	1					
65	80500097	PUL	1					
66	01826468	YAN KAPUT KOMPLESİ, SAĞ	1					
67	F9960265	KİLİT, KELEBEK	2					
69	N010232078	CIVATA	2					M8x16
70	N030100017	PUL	2					M8
71	01993005	BRAKET	2					
72	02040560	DÖKÜM PANEL, ÖN	1					
73	N015904692	CIVATA	2					M22x90
74	N03081005	PUL	2					

ÖN TEKER VE ÇAMURLUK FRONT WHEEL AND FENDER



**ÖN TEKER VE ÇAMURLUK
FRONT WHELL AND FENDER**

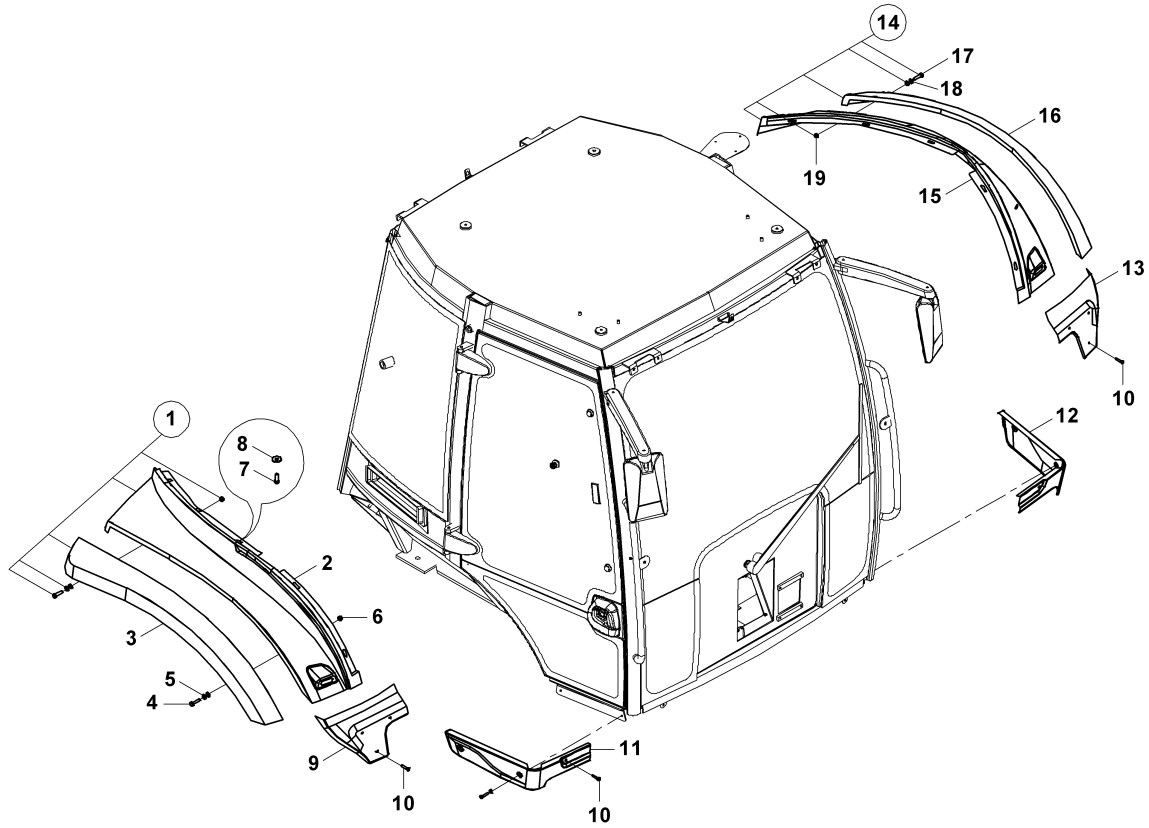
No	Parça No	Parça Adı	Description	Adet	S.K.	Bas.S.N	Bit.S.N	Y.K.	Not
No	Part no			Qty	SC	S/N from	S/N to	ICA	Note
1	01890698	KARKAS KOMPLESİ, ÇAMURLUK, SOL	FRAME ASS'Y, FENDER, LH	1					
2	81400158	TAPA	PLUG	1					
3	N025910062	SOMUN	NUT	4					M8
4	N010233614	CIVATA	BOLT	4					M16x55
5	N030810002	PUL	WASHER	4					M16
6	01992833	KARKAS K.K., ÇAMURLUK, SOL	FRAME W.A., FENDER, LH	1					
7	F9950520	ÇAMURLUK	FENDER	1					
8	02012649	SAC	PLATE	2					
9	81400155	CIVATA KAPAĞI	CAP, BOLT	2					
10	N010232174	CIVATA	BOLT	4					M8x35
11	N030020111	PUL	WASHER	4					
12	01890699	KARKAS KOMPLESİ, ÇAMURLUK, SAĞ	FRAME ASS'Y, FENDER, RH	1					
13	81400158	TAPA	PLUG	2					
14	01992834	KARKAS K.K., ÇAMURLUK, SAĞ	FRAME W.A., FENDER, RH	1					
15	N010233614	CIVATA	BOLT	4					M16x55
16	N030810002	PUL	WASHER	4					M16
17	N025910062	SOMUN	NUT	4					M8
18	F9950520	ÇAMURLUK	FENDER	1					
19	02012649	SAC	PLATE	2					
20	81400155	CIVATA KAPAĞI	CAP, BOLT	4					
21	N010232174	CIVATA	BOLT	4					M8x35
22	N030020111	PUL	WASHER	4					

**ÇAMURLUK, ÖN
FENDER , FRONT**

**ÇAMURLUK, ÖN
FENDER , FRONT**

No	Parça No	Parça Adı	Description	Adet	S.K.	Bas.S.N	Bit.S.N	Y.K.	Not
No	Part no			Qty	SC	S/N from	S/N to	ICA	Note
1	01890698	KARKAS KOMPLESİ, ÇAMURLUK, SOL	FRAME ASS'Y, FENDER, LH	1					
2	81400158	TAPA	PLUG	1					
3	N025910062	SOMUN	NUT	4					M8
4	N010233614	CIVATA	BOLT	4					M16x55
5	N030810002	PUL	WASHER	4					M16
6	01992833	KARKAS K.K., ÇAMURLUK, SOL	FRAME W.A., FENDER, LH	1					
7	F9950520	ÇAMURLUK	FENDER	1					
8	02012649	SAC	PLATE	2					
9	81400155	CIVATA KAPAĞI	CAP, BOLT	2					
10	N010232174	CIVATA	BOLT	4					M8x35
11	N030020111	PUL	WASHER	4					
12	01890699	KARKAS KOMPLESİ, ÇAMURLUK, SAĞ	FRAME ASS'Y, FENDER, RH	1					
13	81400158	TAPA	PLUG	2					
14	01992834	KARKAS K.K., ÇAMURLUK, SAĞ	FRAME W.A., FENDER, RH	1					
15	N010233614	CIVATA	BOLT	4					M16x55
16	N030810002	PUL	WASHER	4					M16
17	N025910062	SOMUN	NUT	4					M8
18	F9950520	ÇAMURLUK	FENDER	1					
19	02012649	SAC	PLATE	2					
20	81400155	CIVATA KAPAĞI	CAP, BOLT	4					
21	N010232174	CIVATA	BOLT	4					M8x35
22	N030020111	PUL	WASHER	4					

ÇAMURLUK, ARKA FENDER, REAR



**ÇAMURLUK, ARKA
FENDER, REAR**

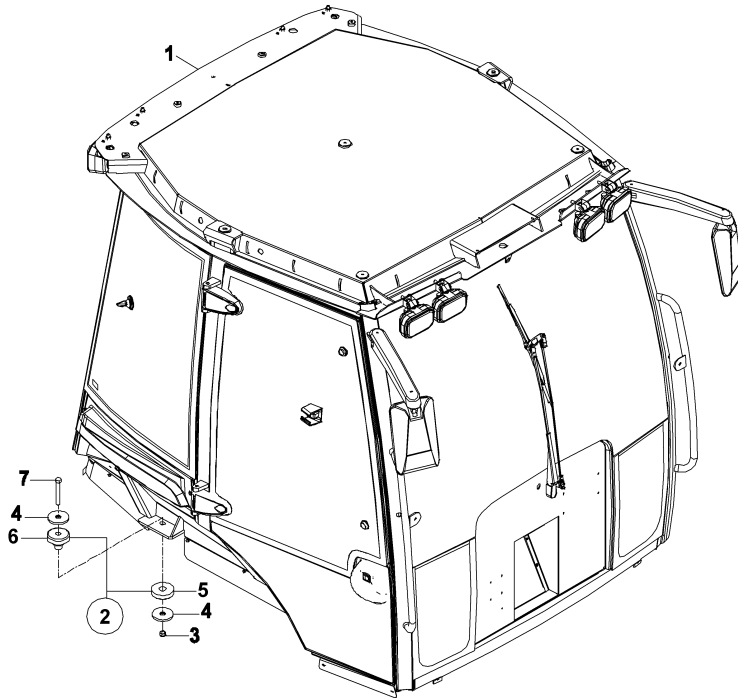
No	Parça No	Parça Adı	Description	Adet	S.K.	Bas.S.N	Bit.S.N	Y.K.	Not
No	Part no			Qty	SC	S/N from	S/N to	ICA	Note
1	01829678	ÇAMURLUK, ARKA-SAĞ	FENDER, REAR, RIGHT	1					
2	02040299	ÇAMURLUK, ARKA-SAĞ GÖVDE	FENDER, RIGHT	1					
3	02040295	ÇAMURLUK, ARKA-SAĞ KENAR	FENDER, RIGHT	1					
4	N010221226	CIVATA	BOLT	6					M5x20
5	N030100011	PUL	WASHER	12					M5
6	N025880026	SOMUN	NUT	6					M5
7	N010232138	CIVATA	BOLT	6					M8x25
8	N030720006	PUL	WASHER	6					M8
9	02040234	ÇAMURLUK, ARA KAPLAMA	FENDER	1					SİYAH
10	N049560847	VİDA	SCREW	12					M6x20
11	02040238	KAPLAMA, SAĞ	COVER, RH	1					
12	02040609	KAPLAMA, SOL	COVER, LH	1					
13	02040218	ÇAMURLUK, ARA KAPLAMA	FENDER	1					SİYAH
14	01829677	ÇAMURLUK, ARKA-SOL	FENDER, REAR, SOL	1					
15	02040296	ÇAMURLUK, ARKA-SOL GÖVDE	FENDER, LEFT	1					
16	02040294	ÇAMURLUK, ARKA-SOL KENAR	FENDER, LEFT	1					
17	N010221226	CIVATA	BOLT	6					M5x20
18	N030100011	PUL	WASHER	12					M5
19	N025880026	SOMUN	NUT	6					M5

C - KABİN

C - OPERATOR CAB

Sayfa No / Page No	Sayfa Adı	Page Name	Revizyon / Revision
C010.02.01	KABİN VE BAĞLANTI TAKOZLARI	CAB & CAB MOUNTING	
C020.01.01	KABİN	CABIN	
C030.01.01	KAPI VE CAMLAR, SOL	DOOR AND WINDOW, LH	
C040.00.01	KABİN	CABIN	
C050.02.01	KABİN DONANIMI	CAB ACCESSORIES	
C060.01.01	KABİN AKSESUAR KOMPLESİ	CABIN ACCESSORIES ASSEMBLY	
C060.03.01	KABİN (JOYSTİK MEKANİZMALI) (OP)	CAB (JOYSTICK MECHANISM) (OP)	
C070.01.01	KONSOL, ÖN	CONSOLE, FRONT	
C080.01.01	KONSOL, SOL	CONSOLE, LH	
C090.01.01	KONSOL, SAĞ	CONSOLE, RH	
C110.01.01	JOYSTİK MEKANİZMASI, SAĞ	JOYSTICK MECHANISM, RH	
C120.01.01	JOYSTİK MEKANİZMASI, SOL	JOYSTICK MECHANISM, LH	
C130.01.01	DİREKSİYON KOMPLESİ	STEERING ASSEMBLY	
C140.00.02	KOLTUK KOMPLESİ	SEAT ASSEMBLY	
C140.01.02	KOLTUK KOMPLESİ	SAET ASSEMBLY	
C140.02.01	KOLTUK MONTAJI	SEAT MOUNTING	
C140.03.01	KOLTUK MONTAJI, HAVA SÜSPANSİYONLU	SEAT MOUNTING, WITH AIR SUSPANSION	

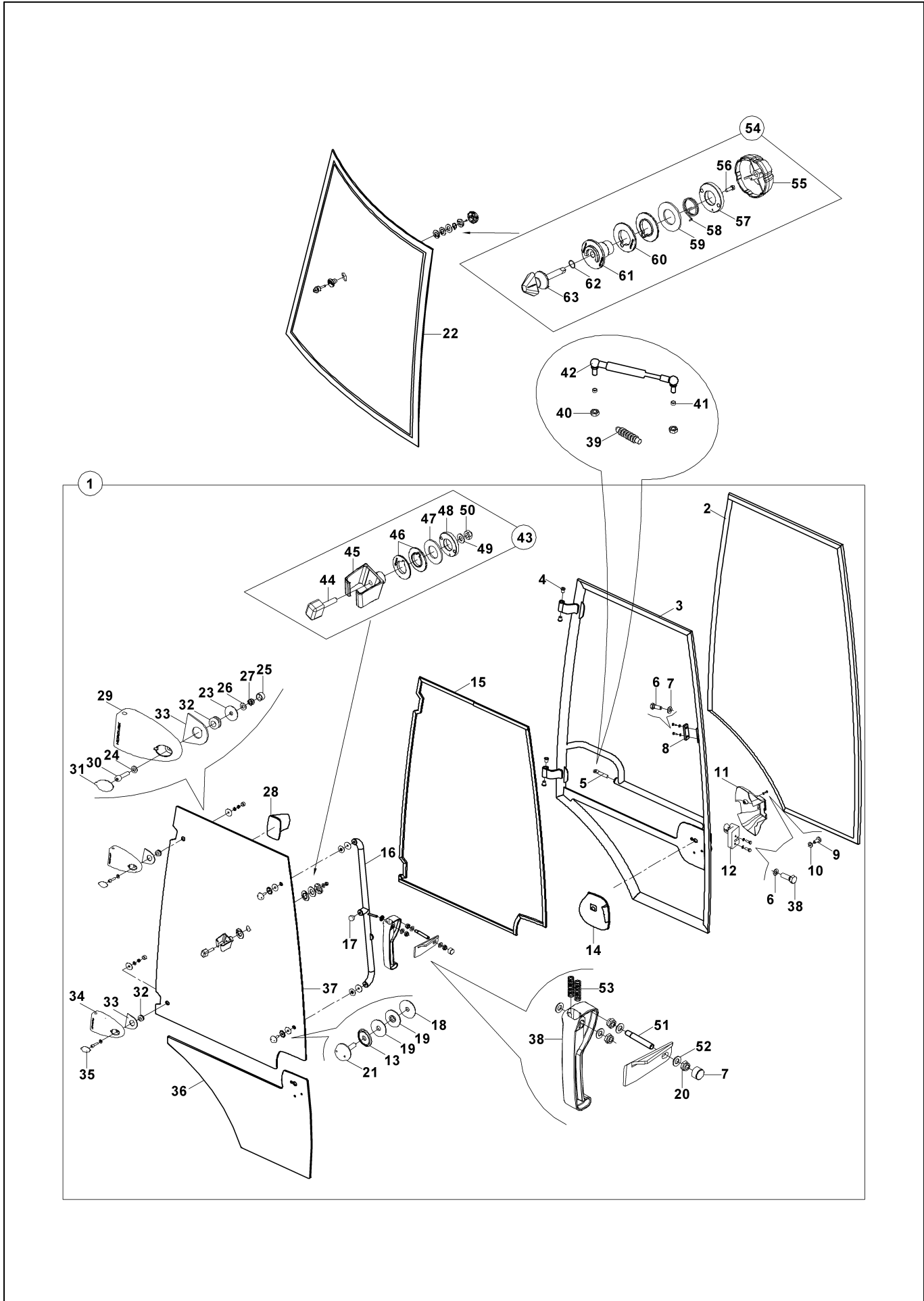
**KABİN VE BAĞLANTI TAKOZLARI
CAB & CAB MOUNTING**



**KABİN VE BAĞLANTI TAKOZLARI
CAB & CAB MOUNTING**

No	Parça No	Parça Adı	Description	Adet	S.K.	Bas.S.N	Bit.S.N	Y.K.	Not
No	Part no			Qty	SC	S/N from	S/N to	ICA	Note
1	F3210775	KABİN	CAB	1					
2	F9960023	BAĞLANTI TAKOZU	MOUNTING RUBBER	4					
3	N025900242	SOMUN	NUT	4					
4	80500074	PUL	WASHER	8					
5	F9960024	BAĞLANTI TAKOZU, ALT	MOUNTING, LOWER	1					
6	F9960025	BAĞLANTI TAKOZU, ÜST	MOUNTING, RUBBER	1					
7	N010381908	CIVATA	BOLT	4					M20x130

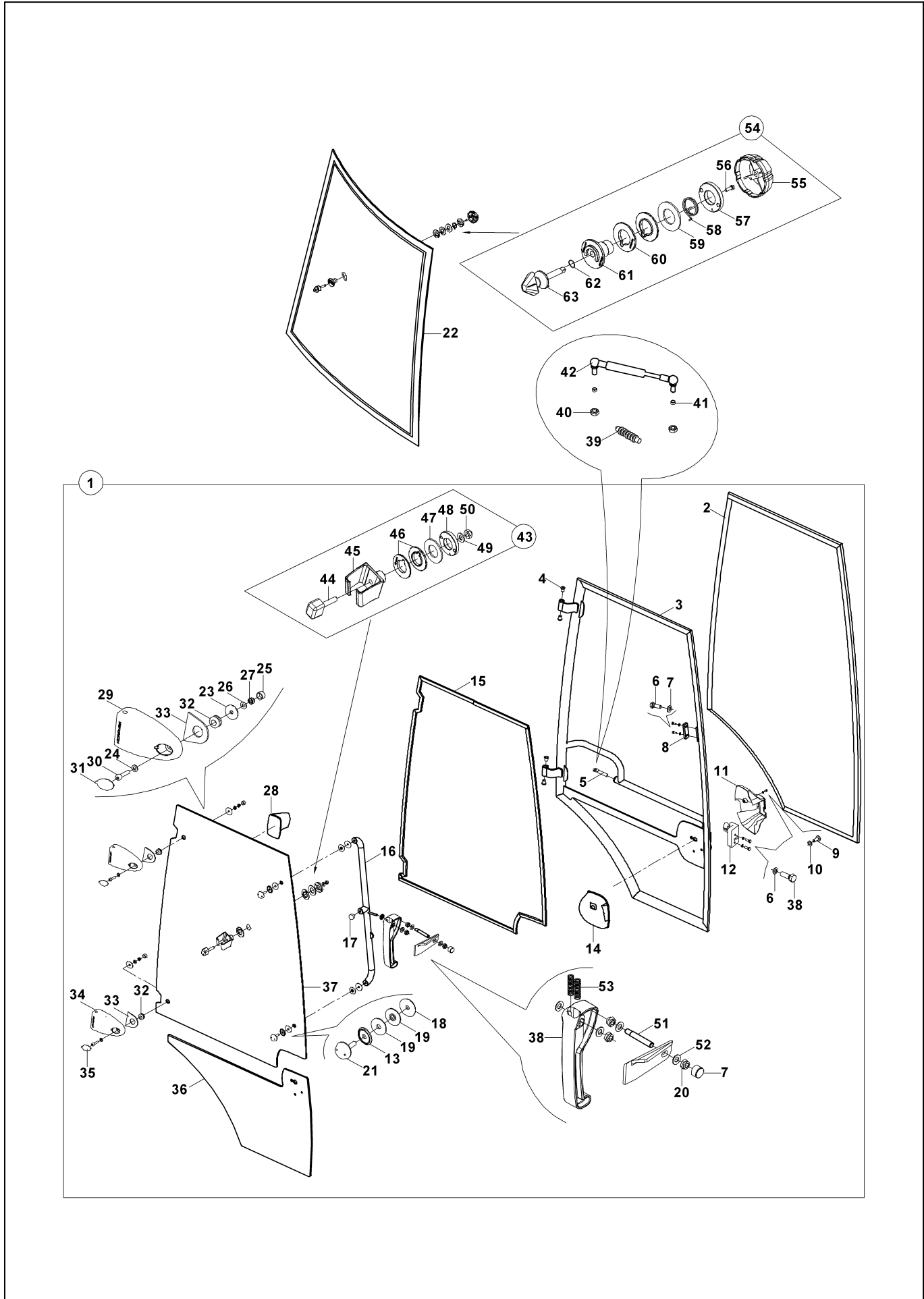
KABİN CABIN



KABİN CABIN

No	Parça No	Parça Adı	Adet	S.K.	Bas.S.N	Bit.S.N	Y.K.	Not
No	Part no	Description	Qty	SC	S/N from	S/N to	ICA	Note
1	01822855	KAPI KOMPLESİ, SAĞ	1					
2	81601260	FİTİL	1					
3	01924503	KAPI	1					
4	81040030	YATAK BURCU	4					
5	81014480	DURDURUCU	1					
6	N030108017	PUL	4					
7	81400155	CIVATA KAPAĞI	2					
8	N010232186	CIVATA	2					M8x40
9	N043421274	VİDA	1					M5x12
10	N030100011	PUL	1					M5
11	02040221	KAPLAMA, KAPI KİLİT	1					
12	S9100641	KİLİT	1					
13	81040099	PLASTİK PUL	2					
14	S9100658	KAPI KOLU	1					
15	81601270	FİTİL	1					
16	01992639	TUTAMAK K.K.	1					
17	81040057	TAHDİT TAKOZU	1					
18	81040045	PUL, PLASTİK, SERT	2					
19	81040046	PUL, PLASTİK, YUMUŞAK	4					
20	N025910062	SOMUN	2					M8
21	N010000008	CIVATA	2					
22	F3321022	CAM, YAN	1					
23	81040045	PUL, PLASTİK, SERT	2					
24	N030108017	PUL	2					
25	81400155	CIVATA KAPAĞI	2					
26	N030108017	PUL	2					
27	N025910062	SOMUN	2					M8
28	81040025	ELÇİK	1					
29	81040106	MENTEŞE	1					
30	N015870506	CIVATA	2					M8x35
31	81040068	KAPLAMA, MENTEŞE	1					
32	81040006	GROMET	2					
33	81040066	MENTEŞE ALTLIĞI	2					
34	81040105	MENTEŞE	1					
35	81040067	KAPLAMA, MENTEŞE	1					
36	F3321112	CAM, KAPI, ALT	1					
37	F3321114	CAM, KAPI, ÜST	1					
38	F3218104	KİLİTLEME KOLU, YAN CAM	1					
39	81028568	KÖRÜK	1					
40	N023570206	SOMUN	2					M10
41	80201005	BURÇ	2					
42	S9170018	AMORTİSÖR	1					
43	01822913	KİTLEK KOMPLESİ	1					
44	81050615	TAHDİT TAKOZU	1					
45	81040093	KİTLEK	1					
46	81040073	GROMET	2					
47	80500087	PLASTİK PUL	1					

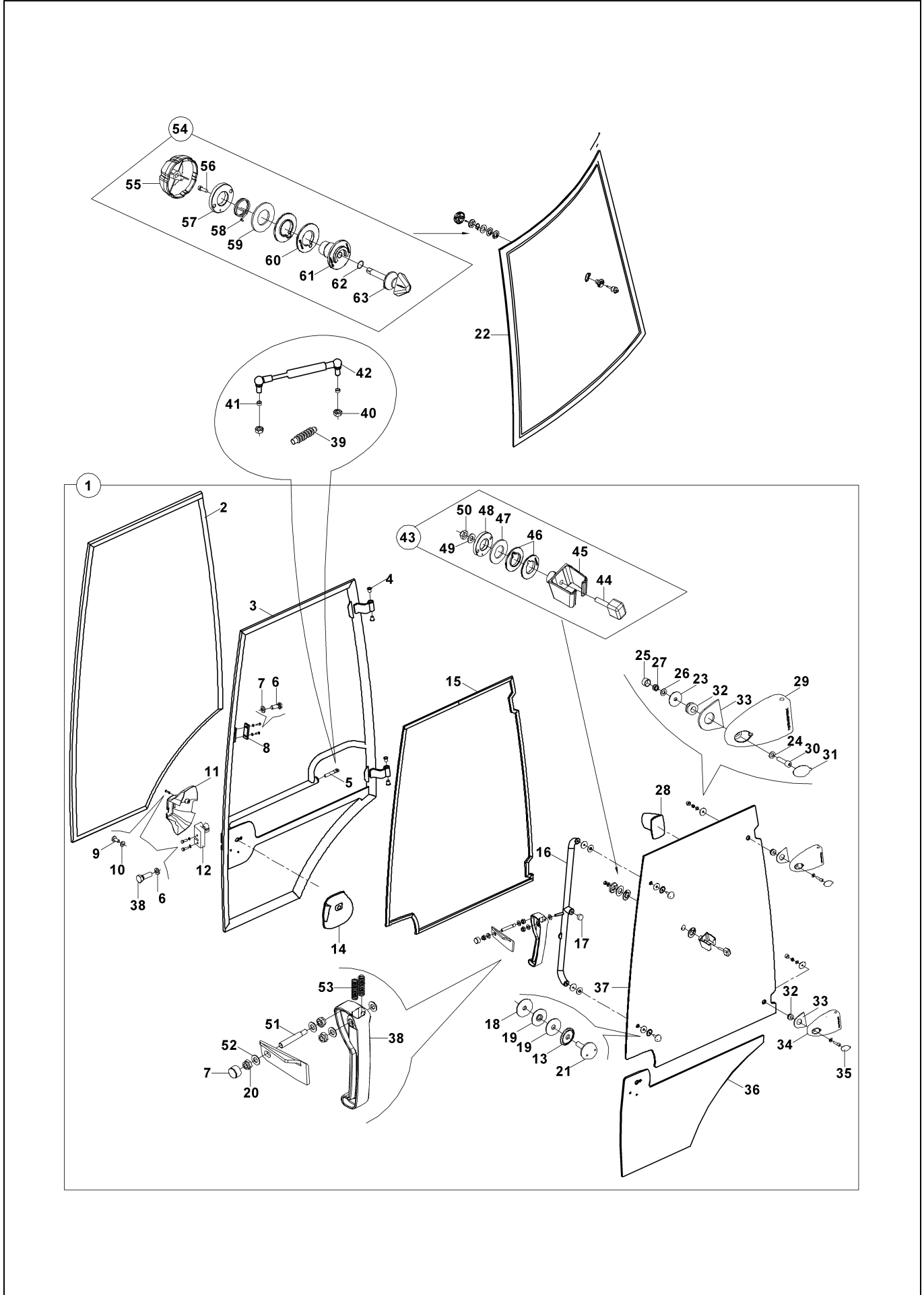
KABİN CABIN



KABİN CABIN

No	Parça No	Parça Adı	Description	Adet	S.K.	Bas.S.N	Bit.S.N	Y.K.	Not
No	Part no			Qty	SC	S/N from	S/N to	ICA	Note
48	80400380	PLASTİK SOMUN	PLASTIC NUT	1					
49	N030020018	PUL	WASHER	1					
50	N025910086	SOMUN	NUT	1					
51	81014468	PİM	PIN	1					
52	N030020011	PUL	WASHER	3					
53	80701512	YAY	SPRING	2					
54	01822911	KİTLEK KOMPLESİ	LATCH ASS'Y	1					
55	81040077	AÇMA TOPUZU	KNOB	1					
56	N041672455	VİDA	SCREW	1					M5x15
57	80400380	PLASTİK SOMUN	PLASTIC NUT	1					
58	80701516	YAY	SPRING	1					
59	80500087	PLASTİK PUL	PLASTIC WASHER	1					
60	81040073	GROMET	GROMMET	2					
61	81040094	KİTLEK GÖVDESİ	LATCH HOUSING	1					
62	N102000918	O-RİNG	O-RING	1					
63	81040095	KİLİTLEYİCİ UÇ	LOCK-END	1					

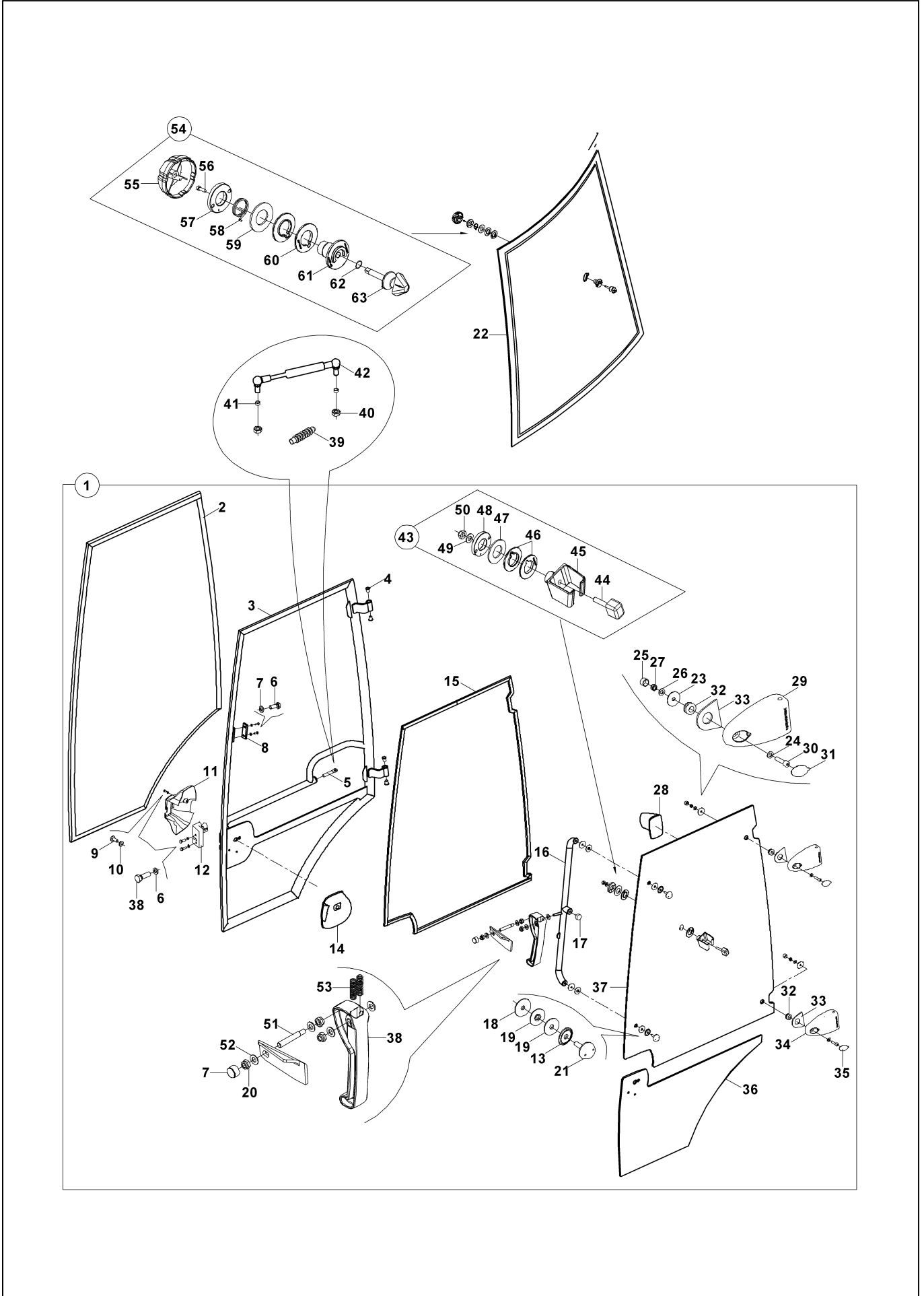
KAPI VE CAMLAR, SOL DOOR AND WINDOW, LH



**KAPI VE CAMLAR, SOL
DOOR AND WINDOW, LH**

No	Parça No	Parça Adı	Adet	S.K.	Bas.S.N	Bit.S.N	Y.K.	Not
No	Part no	Description	Qty	SC	S/N from	S/N to	ICA	Note
1	01822856	KAPI KOMPLESİ, SOL	1					
2	81601275	FİTİL	1					
3	01924513	KAPI	1					
4	81040030	YATAK BURCU	4					
5	81014480	DURDURUCU	1					
6	N030108017	PUL	4					
7	81400155	CIVATA KAPAĞI	2					
8	N010232186	CIVATA	2					M8x40
9	N043421274	VİDA	1					M5x12
10	N030100011	PUL	1					M5
11	02040219	KAPLAMA, KAPI KİLİT	1					
12	S9100631	KİLİT, KAPI İÇ	1					
13	81040099	PLASTİK PUL	2					
14	S9100657	KAPI KOLU	1					
15	81601260	FİTİL	1					
16	01992638	TUTAMAK K.K.	1					
17	81040057	TAHDİT TAKOZU	1					
18	81040045	PUL, PLASTİK, SERT	2					
19	81040046	PUL, PLASTİK, YUMUŞAK	4					
20	N025910062	SOMUN	2					M8
21	N010000008	CIVATA	2					
22	F3321027	CAM, YAN	1					
23	81040045	PUL, PLASTİK, SERT	2					
24	N030108017	PUL	2					
25	81400155	CIVATA KAPAĞI	2					
26	N030108017	PUL	2					
27	N025910062	SOMUN	2					M8
28	81040025	ELÇİK	1					
29	81040106	MENTEŞE	1					
30	N015870506	CIVATA	2					M8x35
31	81040068	KAPLAMA, MENTEŞE	1					
32	81040006	GROMET	2					
33	81040066	MENTEŞE ALTLIĞI	2					
34	81040105	MENTEŞE	1					
35	81040067	KAPLAMA, MENTEŞE	1					
36	F3321113	CAM, KAPI, ALT	1					
37	F3321115	CAM, KAPI, ÜST	1					
38	F3218108	KİLİTLEME KOLU, YAN CAM	1					
39	81028568	KÖRÜK	1					
40	N023570206	SOMUN	2					M10
41	80201005	BURÇ	2					
42	S9170018	AMORTİSÖR	1					
43	01822913	KİTLEK KOMPLESİ	1					
44	81050615	TAHDİT TAKOZU	1					
45	81040093	KİTLEK	1					
46	81040073	GROMET	2					
47	80500087	PLASTİK PUL	1					

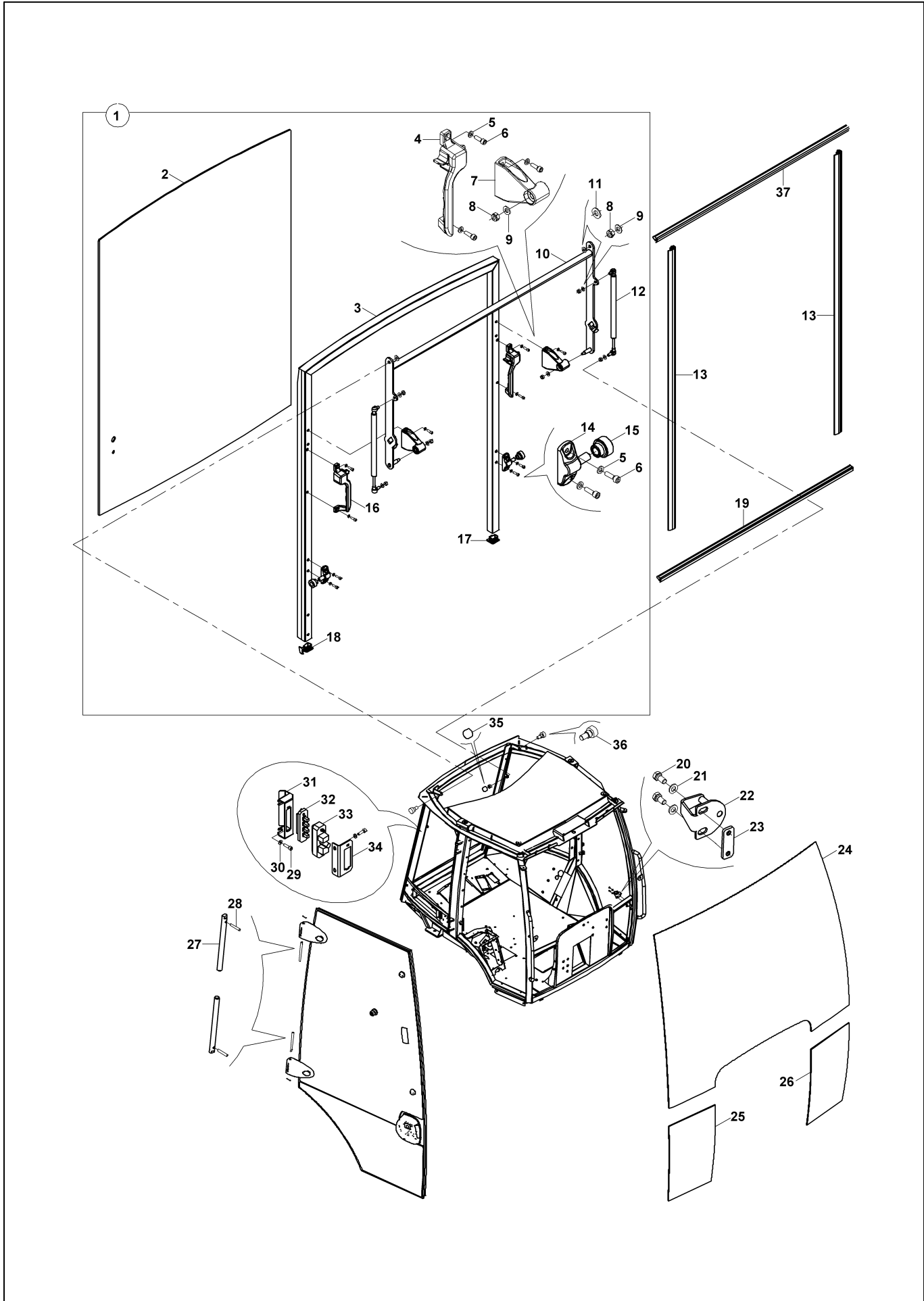
KAPI VE CAMLAR, SOL DOOR AND WINDOW, LH



**KAPI VE CAMLAR, SOL
DOOR AND WINDOW, LH**

No	Parça No	Parça Adı	Description	Adet	S.K.	Bas.S.N	Bit.S.N	Y.K.	Not
No	Part no			Qty	SC	S/N from	S/N to	ICA	Note
48	80400380	PLASTİK SOMUN	PLASTIC NUT	1					
49	N030020018	PUL	WASHER	1					
50	N025910086	SOMUN	NUT	1					
51	81014468	PİM	PIN	1					
52	N030020011	PUL	WASHER	3					
53	80701512	YAY	SPRING	2					
54	01822911	KİTLEK KOMPLESİ	LATCH ASS'Y	1					
55	81040077	AÇMA TOPUZU	KNOB	1					
56	N041672455	VİDA	SCREW	1					M5x15
57	80400380	PLASTİK SOMUN	PLASTIC NUT	1					
58	80701516	YAY	SPRING	1					
59	80500087	PLASTİK PUL	PLASTIC WASHER	1					
60	81040073	GROMET	GROMMET	2					
61	81040094	KİTLEK GÖVDESİ	LATCH HOUSING	1					
62	N102000918	O-RİNG	O-RING	1					
63	81040095	KİLİTLEYİCİ UÇ	LOCK-END	1					

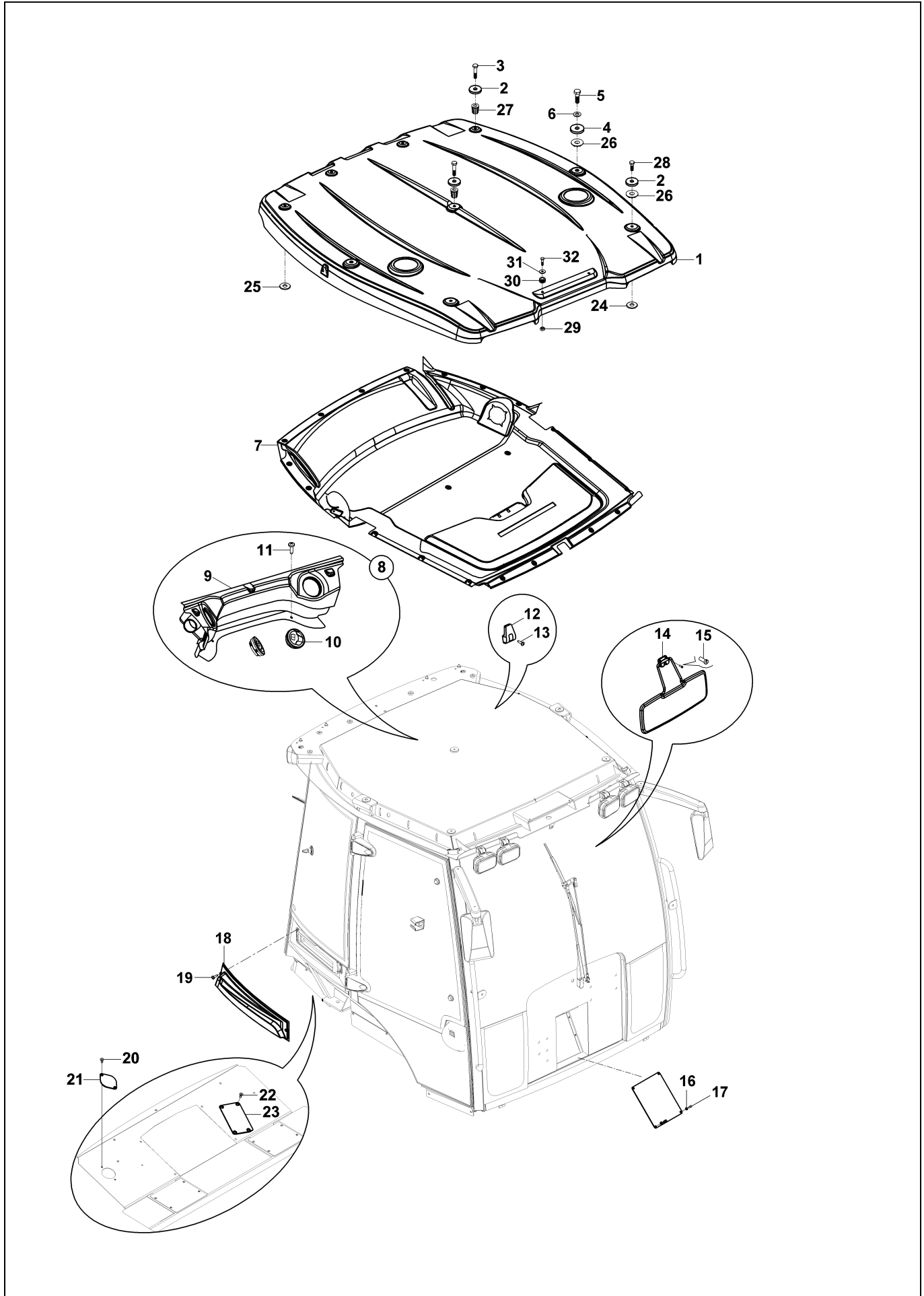
KABİN CABIN



KABİN CABIN

No	Parça No	Parça Adı	Adet	S.K.	Bas.S.N	Bit.S.N	Y.K.	Not
No	Part no	Description	Qty	SC	S/N from	S/N to	ICA	Note
1	F3300600	ARKA CAM KOMPLESİ	1					
2	F3321014	CAM, ARKA	1					
3	S3300615	ÇERCEVE K.M., ARKA CAM	1					
4	S3300640	KİLİT KOMPLESİ, SOL	1					
5	N030100013	PUL	12					M6
6	N015890314	CIVATA	12					M6x20
7	S3300650	BRAKET, MEKANİZMA BAĞLANTISI	2					
8	N025910062	SOMUN	6					M8
9	N030020011	PUL	6					M8
10	S3300625	MEKANİZMA KOLU	1					
11	N030020018	PUL	2					M10
12	S3300630	AMORTİSÖR, ARKA CAM	2					
13	S3300655	FİTİL	2					
14	S3300610	MAKARA YATAĞI	2					
15	S3300635	MAKARA	2					
16	S3300645	KİLİT KOMPLESİ, SOL	1					
17	S3300660	PLASTİK KAPAK	1					
18	S3300665	PLASTİK KAPAK	1					
19	S3300620	FİTİL	1					
20	N010222090	CIVATA	4					M8x16
21	N030108017	PUL	4					
22	01992636	KİLİT KARŞILIĞI	2					
23	02021372	SAC	2					
24	F3321002	CAM, ÖN	1					
25	F3321041	CAM, ÖN, SAĞ ALT	1					
26	F3321046	CAM, ÖN, SOL ALT	1					
27	81014418	PİM	2					
28	N156450958	PİM	2					
29	N015870314	CIVATA	2					M6x20
30	N030100013	PUL	2					M6
31	02012352	SAC	1					
32	55400601	KONNEKTÖR, 4'LÜ KONTAKT, ERKEK	1					
33	55400611	KONNEKTÖR, 4'LÜ KONTAKT, DIŞI	1					
34	02012353	SAC	1					
35	81400155	CIVATA KAPAĞI	4					
36	N016010470	CIVATA	2					M8x25
37	81600618	FİTİL, ARKA, ÜST	1					

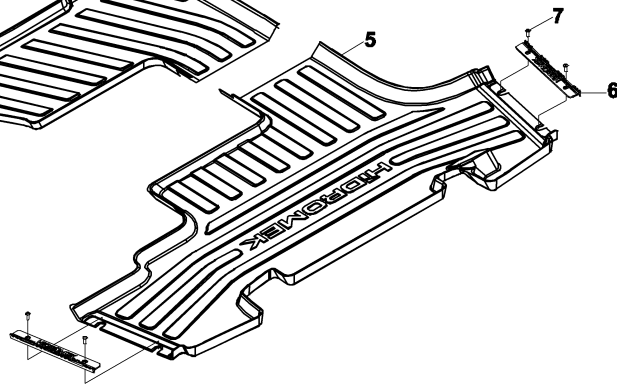
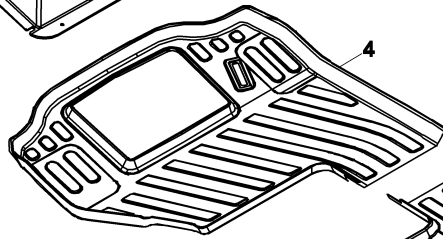
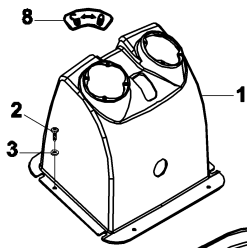
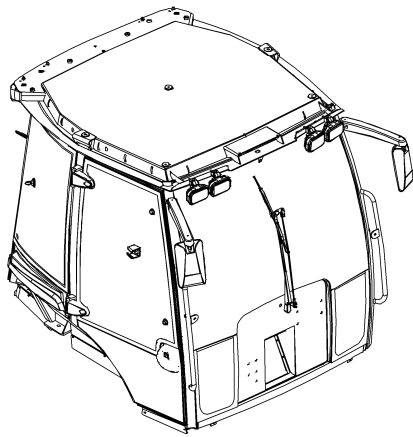
**KABİN DONANIMI
CAB ACCESSORIES**



KABİN DONANIMI
CAB ACCESSORIES

No	Parça No	Parça Adı		Adet	S.K.	Bas.S.N	Bit.S.N	Y.K.	Not
No	Part no	Description		Qty	SC	S/N from	S/N to	ICA	Note
1	01822821	TAVAN	ROOF	1					
2	80504300	PUL	WASHER	7					
3	N010380662	CIVATA	BOLT	5					M10x55
4	80504301	PUL	WASHER	2					
5	N010233578	CIVATA	BOLT	2					M16x40
6	N030020029	PUL	WASHER	2					
7	02040272	KAPLAMA, TAVAN	COVER, ROOF	1					
8	01829666	KAPLAMA KOMPLESİ, ARKA	COVER ASS'Y, REAR	1					
9	02043030	KAPLAMA, ARKA	COVER, REAR	1					
11	N049602042	VİDA	BOLT	2					M6x16
10	F2520514	HAVA MENFEZİ	AIR VENT	2					
12	F3218691	ELBİSE ASKISI	COAT HOOK	1					
13	N049561286	VİDA	SCREW	1					M5x25
14	F3218600	GÜNEŞLİK	SUN VISOR	1					
15	N041150638	VİDA	SCREW	4					Ø4.8x32
16	N030100013	PUL	WASHER	4					M6
17	N010221478	CIVATA	BOLT	4					M6x15
18	02043046	KAPLAMA, FİLTRE	COVER	1					
19	81300035	CIVATA	BOLT, SPECIAL	2					
20	N044320386	VİDA	SCREW	2					M6x20
21	02021512	KAPAK SACI	COVER	1					
22	N044330506	VİDA	SCREW	4					M8x20
23	02002851	KAPAK SACI	COVER	1					
24	81040003	CONTA, TAVAN	GASKET, ROOF	4					
25	81040004	CONTA, TAVAN	GASKET, ROOF	4					
26	02040269	BAĞLANTI ELEMANI,TAVAN	GROMMET	4					
27	02040270	BAĞLANTI ELEMANI,TAVAN	GROMMET	5					
28	N010232486	CIVATA	BOLT	2					M10x30
29	N024770061	SOMUN	NUT	2					M8
30	81040006	GROMMET	GROMMET	2					
31	N030020111	PUL	WASHER	2					M8
32	N010232162	CIVATA	BOLT	2					M8x30

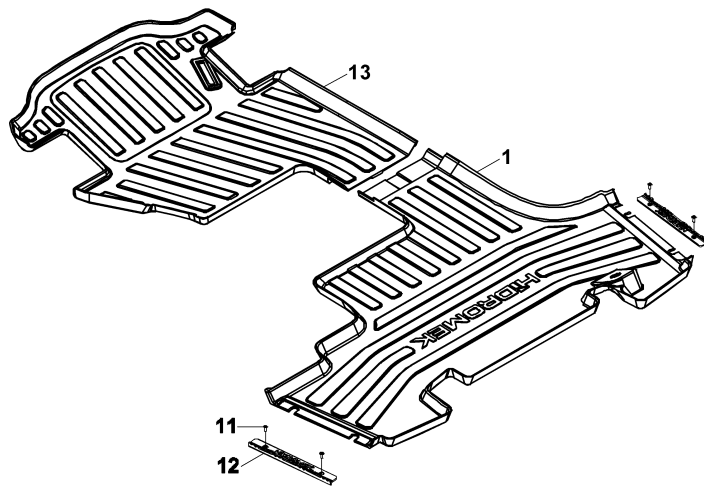
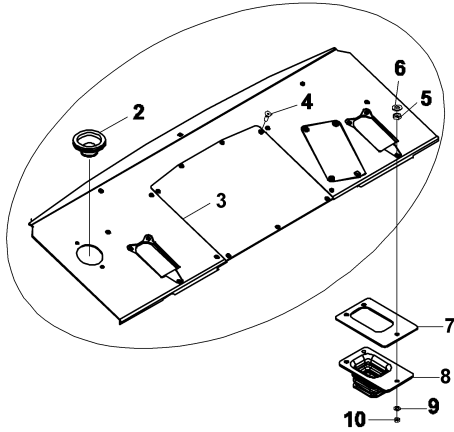
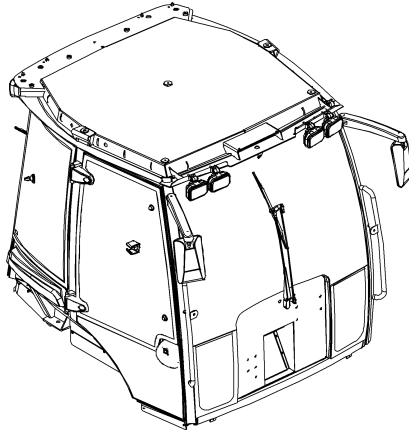
KABİN AKSESUAR KOMPLESİ CABIN ACCESSORIES ASSEMBLY



KABİN AKSESUAR KOMPLESİ
CABIN ACCESSORIES ASSEMBLY

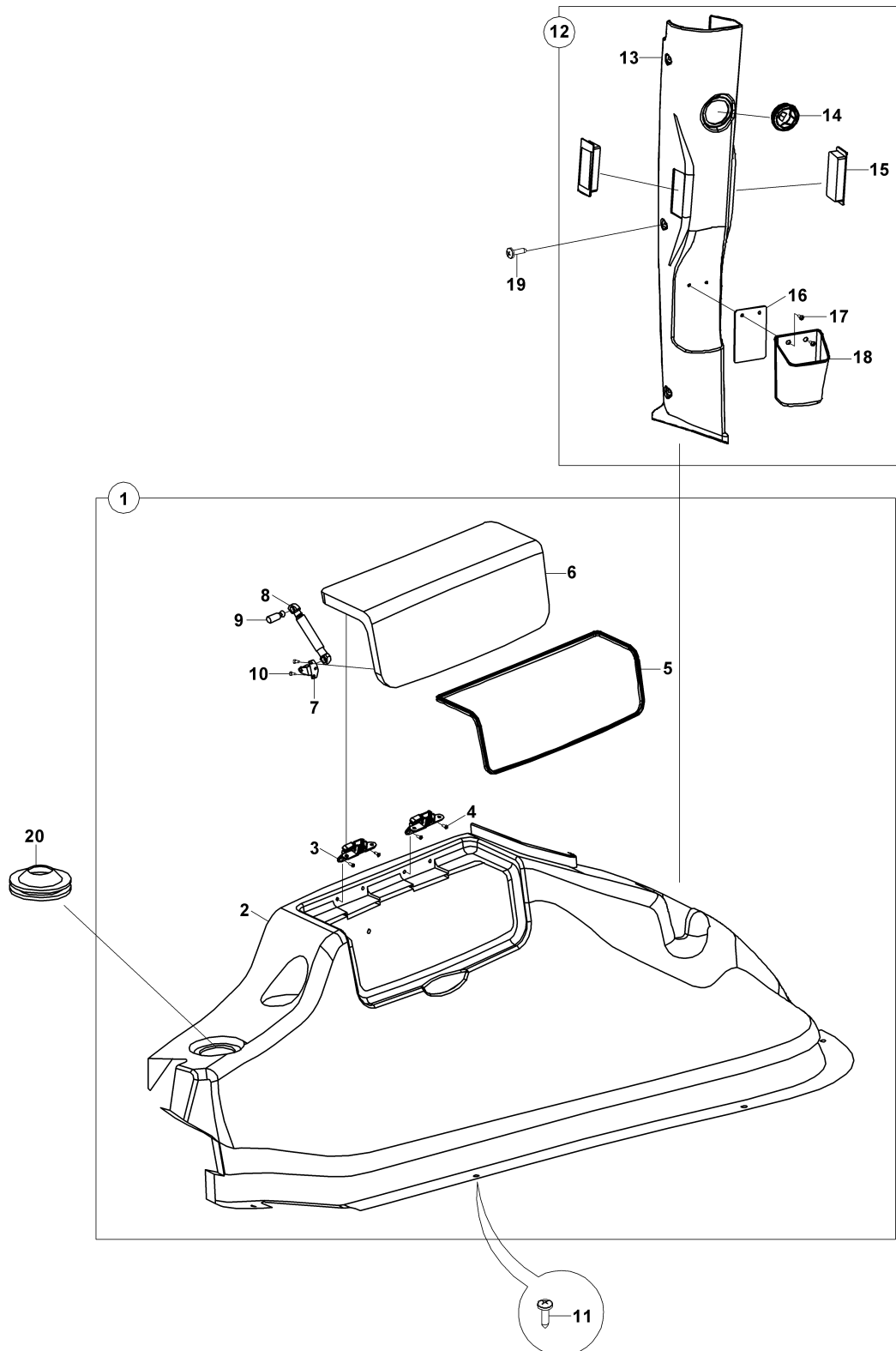
No	Parça No	Parça Adı	Description	Adet	S.K.	Bas.S.N	Bit.S.N	Y.K.	Not
No	Part no			Qty	SC	S/N from	S/N to	ICA	Note
1	02040626	MUHAFAZA KUTUSU	PROTECTION COVER	1					
2	N043701346	VİDA	SCREW	4					M6x25
3	N030020004	PUL	WASHER	4					M6
4	F3220177	PASPAS, ARKA	FLOORMAT	1					
5	F3220175	PASPAS	FLOOR MAT	1					
6	02043040	MUHAFAZA SACI, PASPAS	PLATE, FLOOR MAT	2					
7	N049560846	CIVATA	BOLT	4					M6x20
8	Y0611425	ETİKET, ARKA KUMANDA LEVYE KİLİDİ	DECAL, BACKHOE CONTROL LEVER LOCKING	1					

KABİN (JOYSTİK MEKANİZMALI) (OP)
CAB (JOYSTICK MECHANISM) (OP)



KABİN (JOYSTİK MEKANİZMALI) (OP)
CAB (JOYSTICK MECHANISM) (OP)

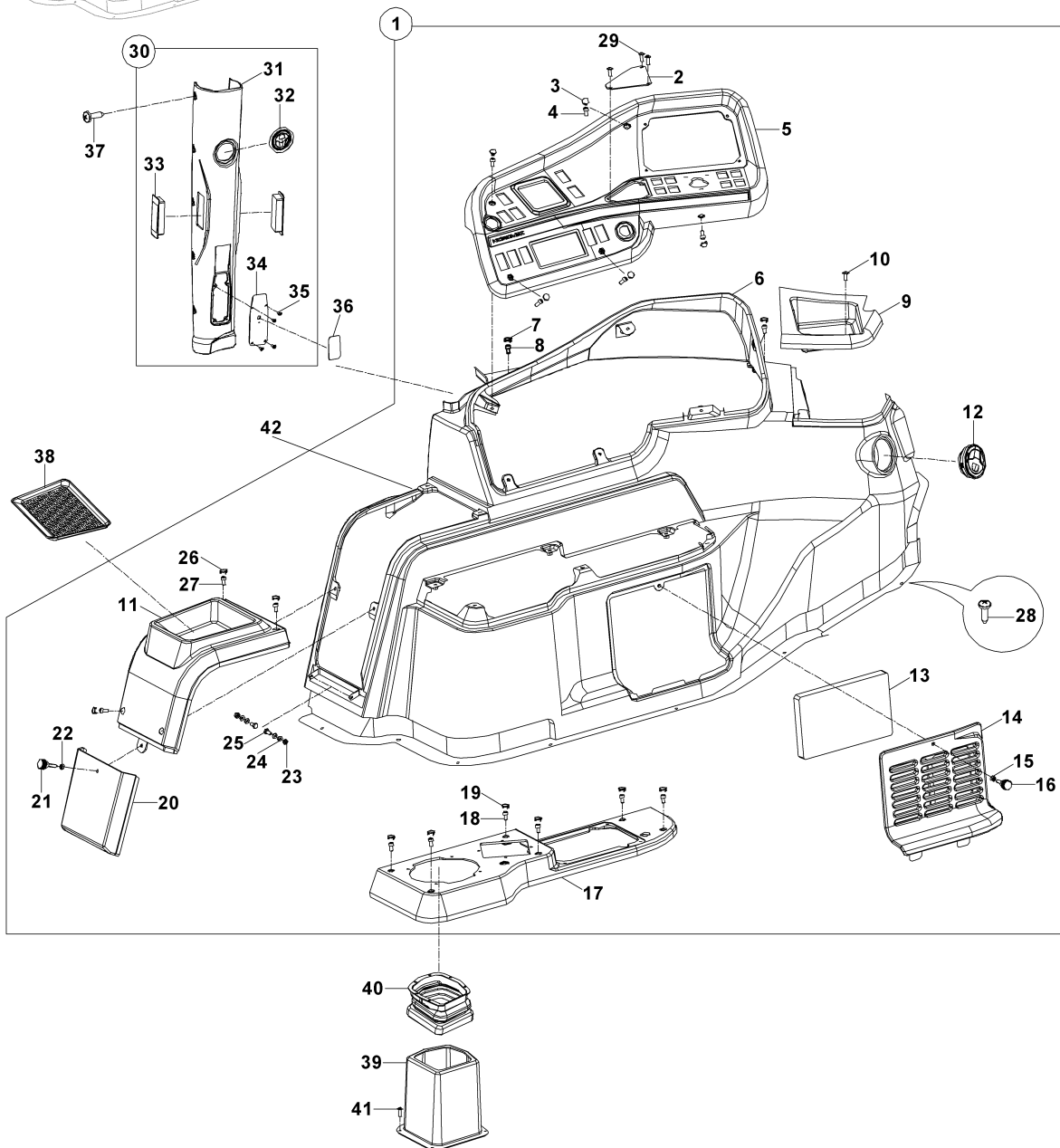
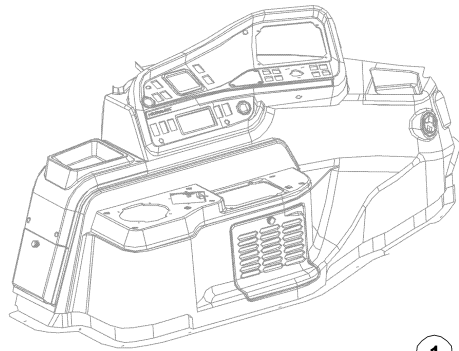
No	Parça No	Parça Adı	Description	Adet	S.K.	Bas.S.N	Bit.S.N	Y.K.	Not
No	Part no			Qty	SC	S/N from	S/N to	ICA	Note
1	F3220175	PASPAS	FLOOR MAT	1					
2	81040024	GROMET	GROMMET	1					
3	02021555	KAPAK SACI	COVER	1					
4	N044320386	VİDA	SCREW	4					M6x20
5	N025910062	SOMUN	NUT	6					M8
6	N030810014	PUL	WASHER	6					M8
7	81040097	SAC	PLATE	2					
8	81028599	KÖRÜK	BELLOWS	2					
9	N030100017	PUL	WASHER	6					M8
10	N025910062	SOMUN	NUT	6					M8
11	N049602042	VİDA	BOLT	2					M6x16
12	02043040	MUHAFAZA SACI, PASPAS	PLATE, FLOOR MAT	1					
13	F3220176	PASPAS, ARKA	FLOOR MAT	1					

**KONSOL, SOL
CONSOLE, LH**

KONSOL, SOL CONSOLE, LH

No	Parça No	Parça Adı	Adet	S.K.	Bas.S.N	Bit.S.N	Y.K.	Not
No	Part no	Description	Qty	SC	S/N from	S/N to	ICA	Note
1	01829664	KAPLAMA KOMPLESİ,SOL YAN	1					
2	02043034	KAPLAMA, SOL YAN	1					
3	F9960405	MENTEŞE	2					
4	N041210194	SAC VİDASI	4					Ø3.9x13
5	81600720	FİTİL	1					
6	02043035	TORPİDO KAPAĞI	1					
7	F9960031	BRAKET	1					
8	F9951011	AMORTİSÖR	1					
9	F9960032	PİM, AMORTİSÖR	1					
10	N041210194	SAC VİDASI	2					Ø3.9x13
11	N049602042	VİDA	4					M6x16
12	01829668	KAPLAMA, SOL YAN DİREK	1					
13	02043033	KAPLAMA, SOL YAN DİREK	1					
14	F2520514	HAVA MENFEZİ	1					
15	F2520506	HAVA MENFEZİ	2					
16	02043055	SAC	1					
17	N049602042	VİDA	2					M6x16
18	F3220183	CEP, SOL DİREK	1					
19	N049602042	VİDA	8					M6x16
20	81040084	GROMET	1					

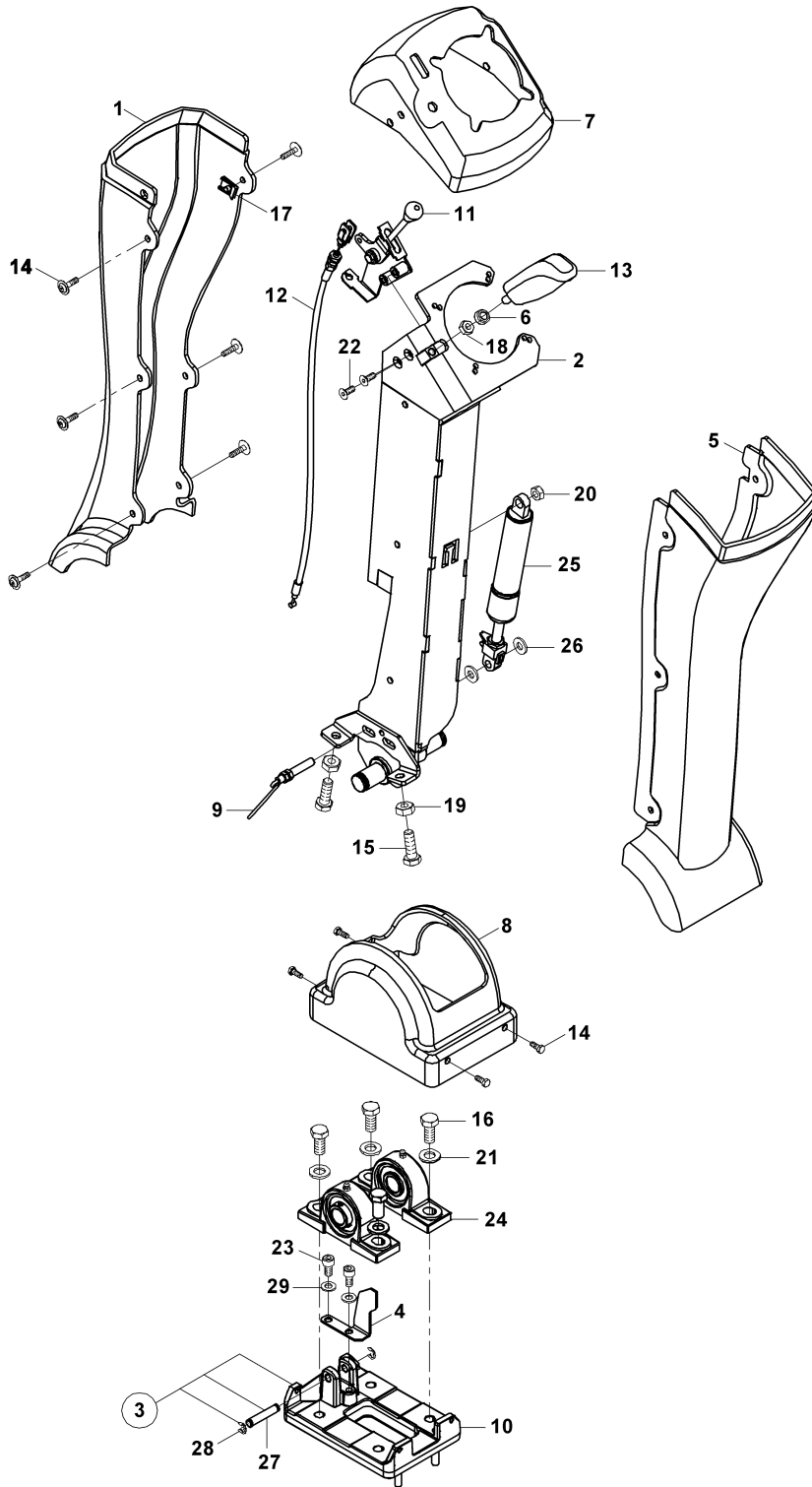
KONSOL, SAĞ
CONSOLE, RH



KONSOL, SAĞ CONSOLE, RH

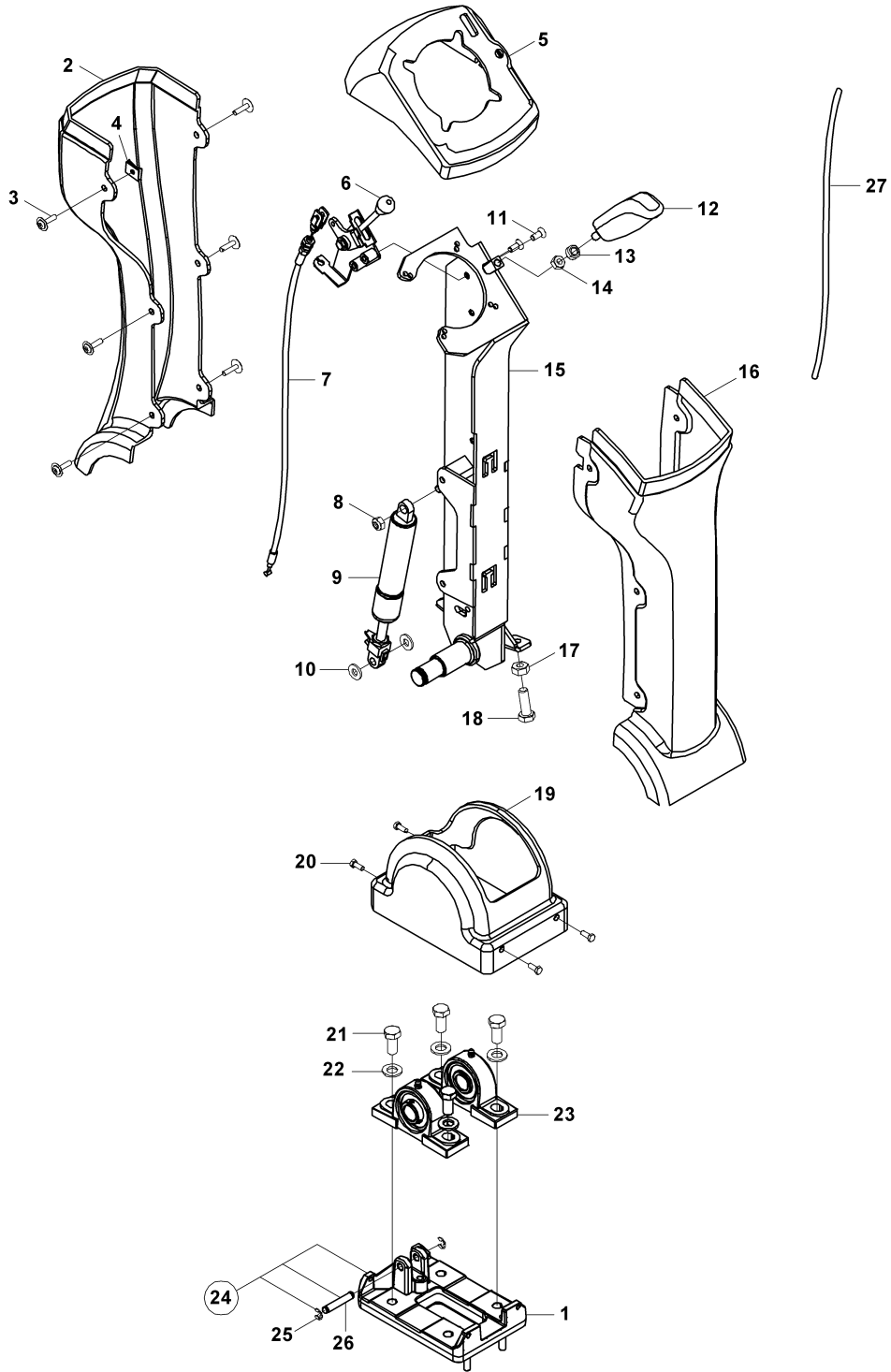
No	Parça No	Parça Adı	Adet	S.K.	Bas.S.N	Bit.S.N	Y.K.	Not
No	Part no	Description	Qty	SC	S/N from	S/N to	ICA	Note
1	01829663	KAPLAMA KOMPLESİ, SAĞ	1					
2	02020114	KAPAK SACI	1					
3	81402021	KAPAK	5					
4	N015870290	CIVATA	5					M6x12
5	02043022	KAPLAMA, SAĞ	1					
6	02043021	KAPLAMA, SAĞ-YAN	1					
7	81402021	KAPAK	8					
8	N015870290	CIVATA	8					M6x12
9	02043024	KAPLAMA	1					
10	N049602042	VİDA	3					M6x16
11	02043023	KAPLAMA	1					
12	F2520514	HAVA MENFEZİ	1					
13	F2810112	FİLTRE, KLİMA	1					
14	02043027	KAPLAMA	1					
15	N025910050	SOMUN	1					M6
16	81300035	CIVATA	1					
17	02043025	KAPLAMA	1					
18	N015870290	CIVATA	6					M6x12
19	81402021	KAPAK	6					
20	02043029	KAPLAMA	1					
21	81300035	CIVATA	1					
22	N025910050	SOMUN	1					M6
23	N025910050	SOMUN	2					M6
24	N030100013	PUL	4					M6
25	N010231478	CIVATA	2					M6
26	N015870290	CIVATA	4					M6x12
27	81402021	KAPAK	4					
28	N049602042	VİDA	7					M6x16
29	N049602042	VİDA	3					M6x16
30	01829667	KAPLAMA, SAĞ YAN DİREK	1					
31	02043032	KAPLAMA, SAĞ YAN DİREK	1					
32	F2520514	HAVA MENFEZİ	1					
33	F2520506	HAVA MENFEZİ	2					
34	02043039	SAC	1					
35	N049602042	VİDA	4					M6x16
36	02040813	KAPAK	1					
37	N049602042	VİDA	10					M6x16
38	F3220180	LASTİK ALTLİK	2					
39	02043020	KAPLAMA, JOYSTİK	1					
40	81028598	KÖRÜK, JOYSTİK	1					
41	N049602042	VİDA	4					M6x16
42	H130135102	FİTİL	1					

JOYSTICK MEKANİZMASI, SAĞ
JOYSTICK MECHANISM, RH



JOYSTİCK MEKANİZMASI, SAĞ
JOYSTICK MECHANISM, RH

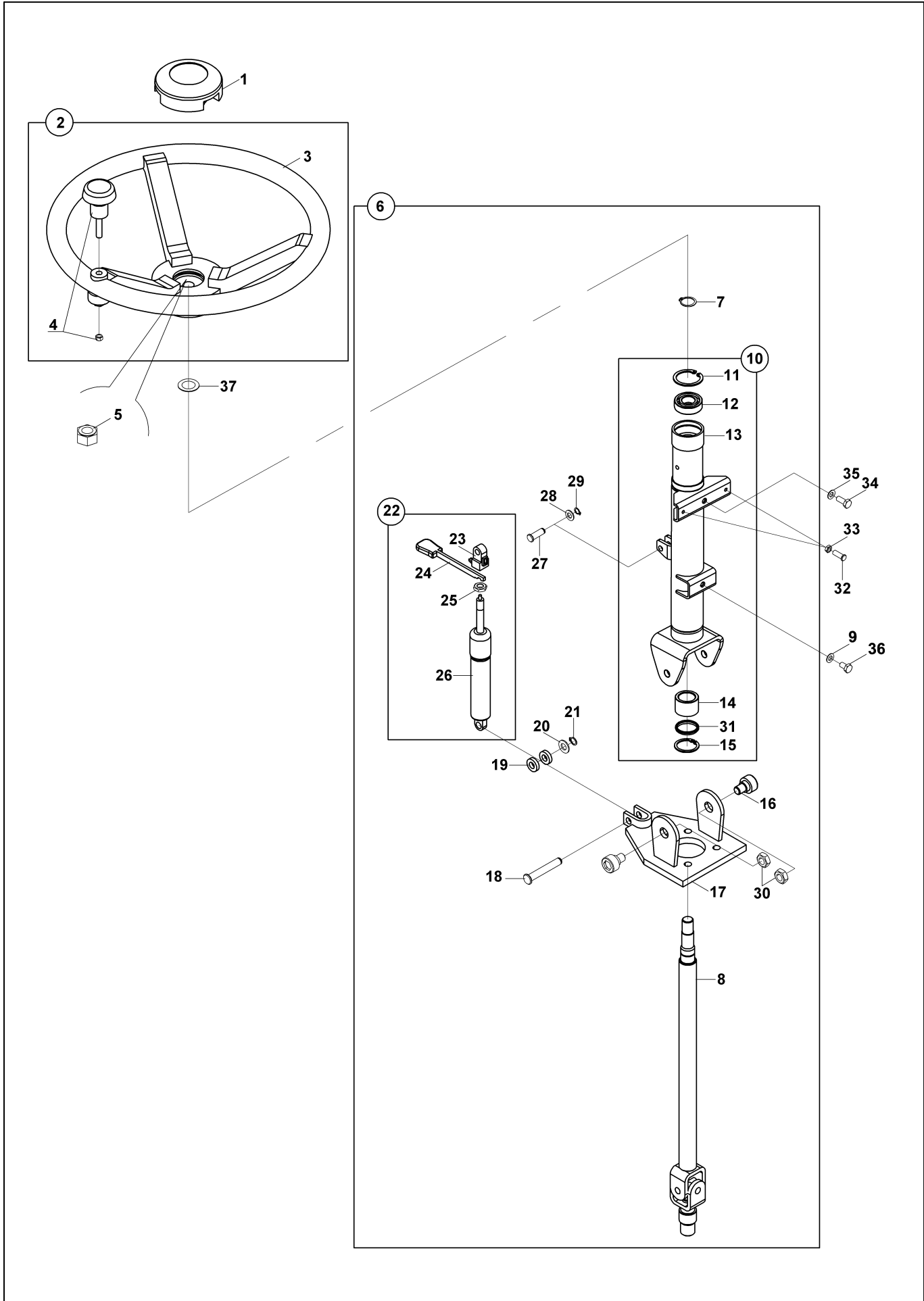
No	Parça No	Parça Adı	Description	Adet	S.K.	Bas.S.N	Bit.S.N	Y.K.	Not
No	Part no			Qty	SC	S/N from	S/N to	ICA	Note
0	01829106	JOYSTİCK MEKANİZMASI, SAĞ	JOYSTICK MECHANISM, RH	1					
1	02040641	KAPLAMA, SAĞ, ARKA	COVER, RH, REAR	1					
2	01991592	KONSOL K.M., JOYSTİK, SAĞ	CONSOLE W.A., JOYSTICK, RH	1					
3	01829108	BRAKET KOMPLESİ	BRACKET ASS'Y	1					
4	02012790	BRAKET	BRACKET	1					
5	02040640	KAPLAMA, SAĞ, ÖN	COVER, RH, FRONT	1					
6	81028597	KÖRÜK	BELLOWS	1					
7	02040644	KAPLAMA, ÜST, SAĞ	COVER, UPPER, RH	1					
8	02040646	KAPLAMA, ALT	COVER, LOWER	1					
9	55400033	SENSÖR, KONUM	SENSOR, PROXIMITY	1					
10	02040400	BRAKET	BRACKET	1					
11	F3113111	ELCİK MEKANİZMASI	HANDLE MECHANISM	1					
12	F3114351	TEL, AMORTİSÖR KİLİDİ	CABLE, LOCK, DAMPER	1					
13	F9906183	ELCİK	HANDLE	1					
14	N049602042	VİDA	BOLT	10					M6x16
15	N010232486	CIVATA	BOLT	2					M10x30
16	N010232846	CIVATA	BOLT	4					M12x30
17	N02000081	SOMUN	NUT	1					
18	N023580182	SOMUN	NUT	1					M8
19	N023580206	SOMUN	NUT	4					M10
20	N025910062	SOMUN	NUT	1					M8
21	N030810001	PUL	WASHER	4					M12
22	N044320362	VİDA	SCREW	2					M6x15
23	N015890446	CIVATA	BOLT	2					M8x16
24	N090990204	RULMAN	BEARING	2					
25	01829133	AMORTİSÖR	DAMPER	1					
26	80507009	PUL	WASHER	2					
27	02021744	PİM	PIN	1					
28	N050760003	SEGMAN	RING	2					
29	N030100023	PUL	WASHER	4					

JOYSTICK MEKANİZMASI, SOL
JOYSTICK MECHANISM, LH

JOYSTİCK MEKANİZMASI, SOL
JOYSTICK MECHANISM, LH

No	Parça No	Parça Adı		Adet	S.K.	Bas.S.N	Bit.S.N	Y.K.	Not
No	Part no	Description		Qty	SC	S/N from	S/N to	ICA	Note
0	01829107	JOYSTİCK MEKANİZMASI, SOL	JOYSTICK MECHANISM, LH	1					
1	02040400	BRAKET	BRACKET	1					
2	02040643	KAPLAMA, SOL, ARKA	COVER, LH, REAR	1					
3	N049602042	VİDA	BOLT	6					M6x16
4	N02000081	SOMUN	NUT	1					
5	02040645	KAPLAMA, ÜST, SOL	COVER, UPPER, LH	1					
6	F3113111	ELCİK MEKANİZMASI	HANDLE MECHANISM	1					
7	F3114351	TEL, AMORTİSÖR KİLİDİ	CABLE, LOCK, DAMPER	1					
8	N025910062	SOMUN	NUT	1					
9	01829133	AMORTİSÖR	DAMPER	1					
10	80507009	PUL	WASHER	2					
11	N044320362	VİDA	SCREW	2					M6x15
12	F9906183	ELCİK	HANDLE	1					
13	81028597	KÖRÜK	BELLOWS	1					
14	N023580182	SOMUN	NUT	1					
15	01991593	KONSOL K.K., JOYSTİK, SOL	CONSOLE W.A., LH	1					
16	02040642	KAPLAMA, SOL, ÖN	COVER, LH, FRONT	1					
17	N023570205	SOMUN	NUT	4					M10
18	N010232486	CIVATA	BOLT	2					M10x30
19	02040646	KAPLAMA, ALT	COVER, LOWER	1					
20	N049602042	VİDA	BOLT	4					M6x16
21	N010232846	CIVATA	BOLT	4					M12x30
22	N030810001	PUL	WASHER	4					M12
23	N090990204	RULMAN	BEARING	2					M8x16
24	01829108	BRAKET KOMPLESİ	BRACKET ASS'Y	1					
25	N050760003	SEGMAN	RING	2					
26	02021744	PİM	PIN	1					
27	01853072	ELEKTRİK TESİSATI, JOYSTİK	HARNESS, JOYSTICK	1					

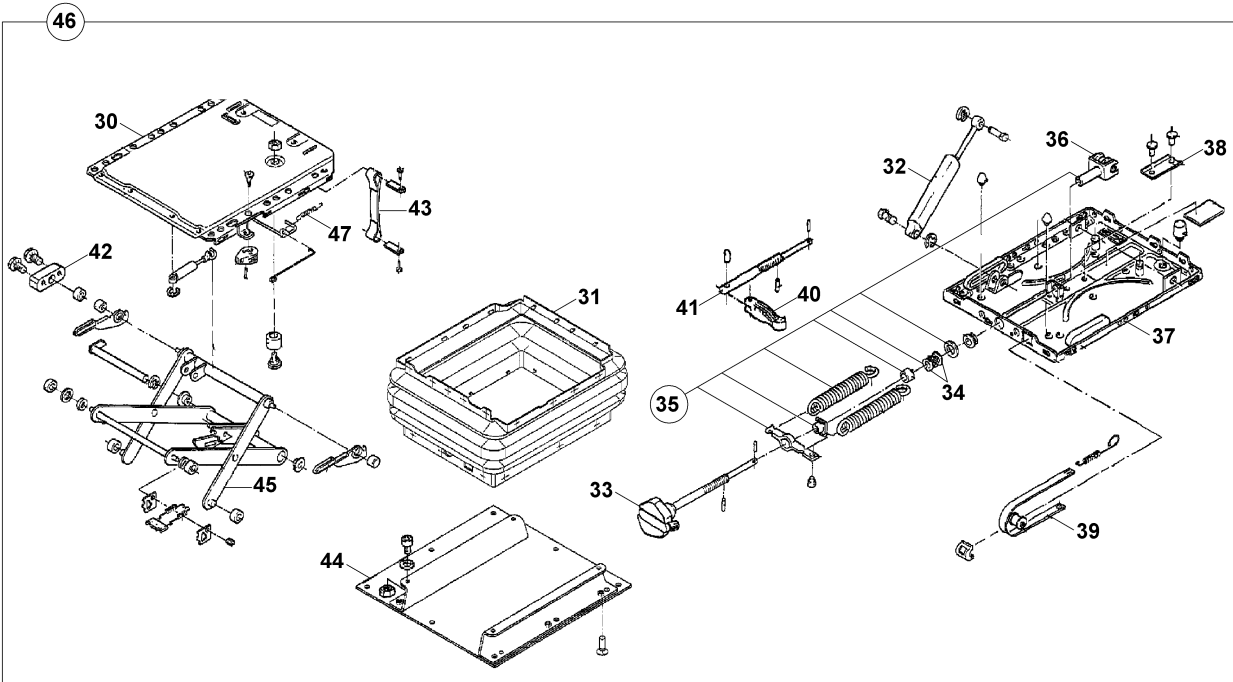
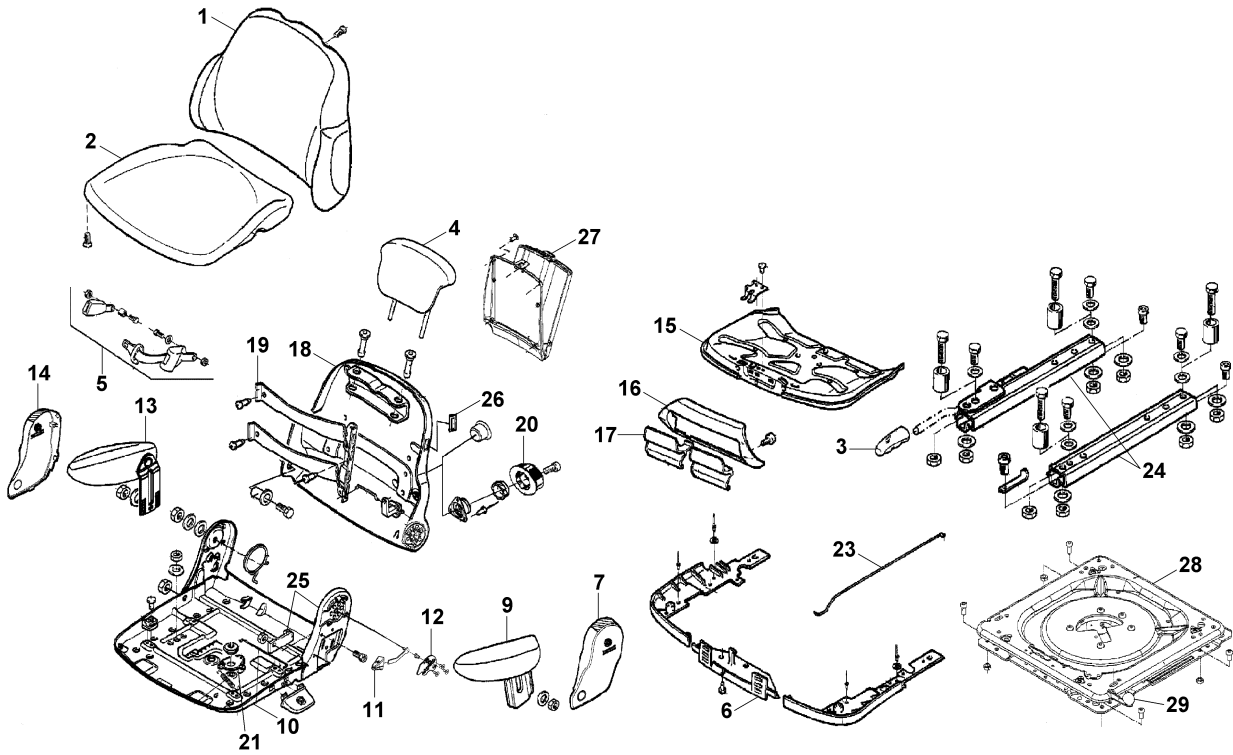
**DİREKSİYON KOMPLESİ
STEERING ASSEMBLY**



DİREKSİYON KOMPLESİ STEERING ASSEMBLY

No	Parça No	Parça Adı	Adet	S.K.	Bas.S.N	Bit.S.N	Y.K.	Not
No	Part no	Description	Qty	SC	S/N from	S/N to	ICA	Note
0	01829676	DİREKSİYON KOMPLESİ	1					
1	81009922	KAPAK	1					
2	01829031	DİREKSİYON SİMİDİ KOMPLESİ	1					
3	81009902	DİREKSİYON SİMİDİ	1					
4	81009910	TOPUZ	1					
5	N025900194	SOMUN	1					M16x1.5
6	01829293	DİREKSİYON KOLONU KOMPLESİ, AYARLANABİLİR	1					
7	N050020035	SEGMAN	1					
8	01991277	DİREKSİYON MİLİ	1					
9	N010100013	PUL	1					M6
10	01829294	DİREKSİYON KOLONU GÖVDESİ	1					
11	N050220112	SEGMAN	1					
12	N090200300	RULMAN	1					
13	01991282	DİREKSİYON KOLONU GÖVDESİ	1					
14	80201017	BURÇ	1					
15	N050220083	SEGMAN	1					
16	81300345	CIVATA	2					
17	01991281	BRACKET K.K.	1					M12
18	80111018	PİM, PİSTON BAĞLANTI ALT	1					
19	80500029	PUL	2					
20	N030020022	PUL	1					M10
21	N050020015	SEGMAN	1					
22	01829123	AMORTİSÖR KOMPLESİ	1					
23	F2190015	AMORTİSÖR KUMANDA	1					
24	F2190020	KUMANDA KOLU	1					
25	F2190005	SOMUN	1					M10
26	F2190010	AMORTİSÖR	1					
27	80111011	PİM, PİSTON BAĞLANTI ALT	1					
28	N030020011	PUL	1					
29	N050020011	SEGMAN	1					
30	80400174	SOMUN	2					M12
31	N106253505	KEÇE	1					
32	N049561286	VİDA	2					M5x25
33	N023580146	SOMUN	2					M5
34	N010231478	CIVATA	1					M6x16
35	N030100013	PUL	1					M6
36	N010231442	CIVATA	1					M6x10
37	N030100027	PUL	1					M6

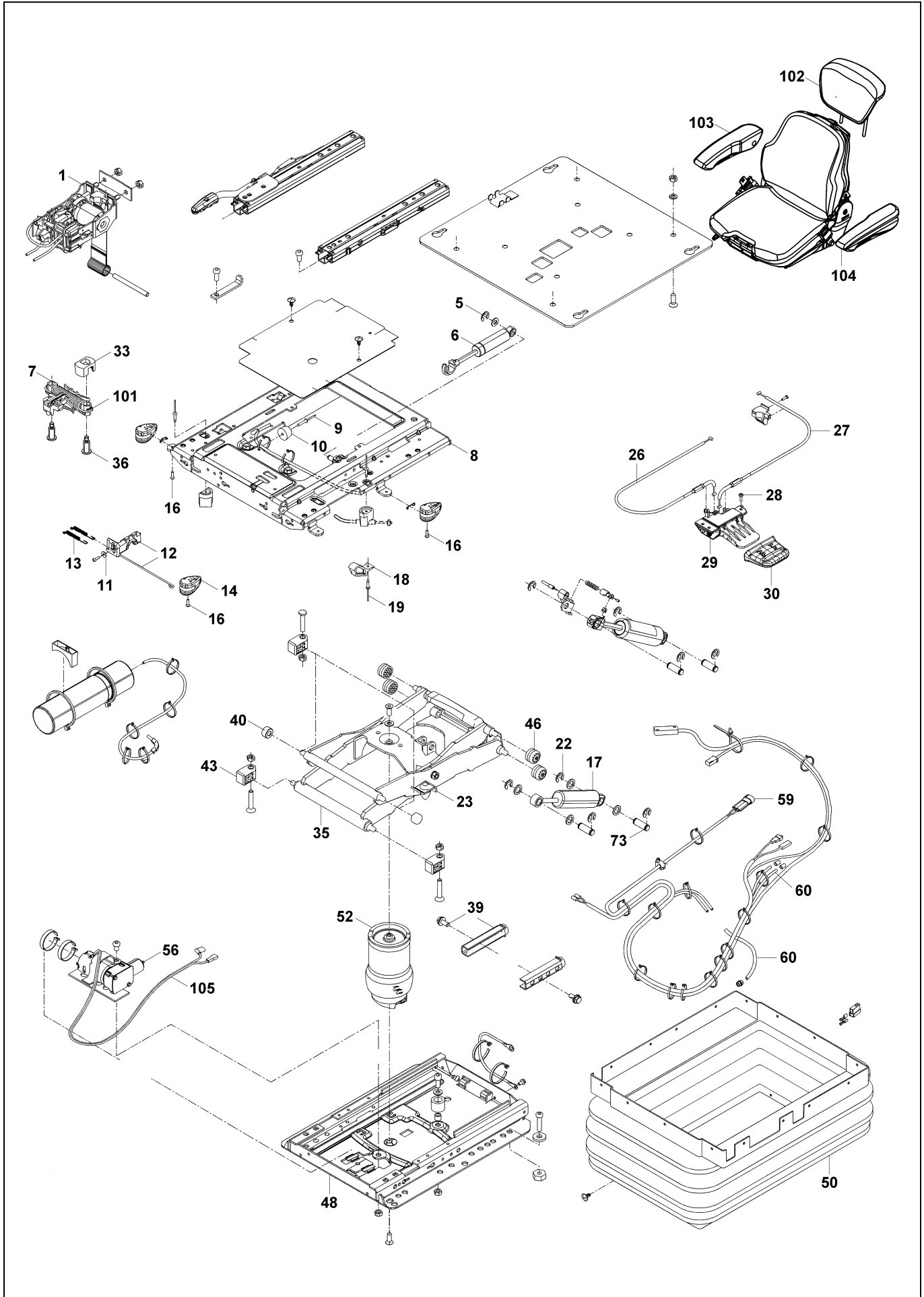
KOLTUK KOMPLESİ SEAT ASSEMBLY



KOLTUK KOMPLESİ SEAT ASSEMBLY

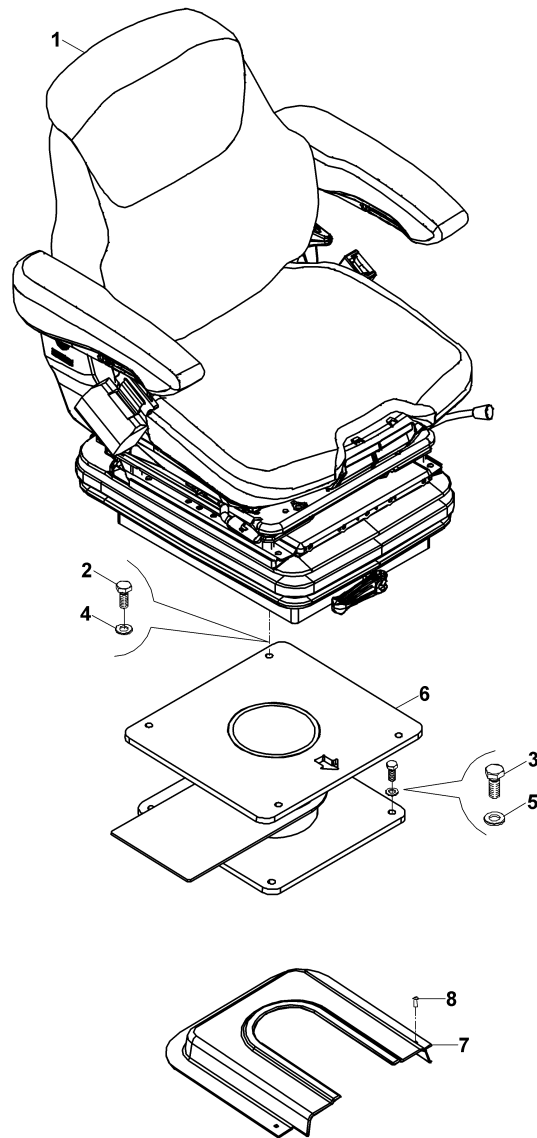
No	Parça No	Parça Adı	Adet	S.K.	Bas.S.N	Bit.S.N	Y.K.	Not
No	Part no	Description	Qty	SC	S/N from	S/N to	ICA	Note
0	F4700251	KOLTUK KOMPLESİ	1					
1	S4700401	ARKALIK SÜNGERİ	1					
2	S4700402	OTURAK SÜNGERİ	1					
3	S4700403	ELCIK	1					
4	S4700404	KOLTUK BAŞLIĞI	1					
5	S4700405	EMNİYET KEMERİ	1					
6	S4700406	OTURAK SACI KOMPLESİ	1					
7	S4700407	KAPLAMA	1					
9	S4700409	KOLÇAK, SOL	1					
10	S4700410	OTURAK SACI	1					
11	S4700411	ELCIK KOMPLESİ	1					
12	S4700412	ARKALIK AYAR SAC KİTİ	1					
13	S4700413	KOLÇAK, SAĞ	1					
14	S4700414	KAPLAMA	1					
15	H909065021	OTURAK SACI	1					
16	H909065024	KAPLAMA	1					
17	H909065025	ELCIK	1					
18	S4700415	ARKALIK	1					
19	S4700416	BEL DESTEĞİ KOMPLESİ	1					
20	S4700417	ELCIK KOMPLESİ	1					
21	H909065030	AYAR LEVYE KOMPLESİ	1					
23	S4700419	TETİKLEME KOLU	1					
24	S4700345	KIZAK KOMPLESİ	1					
25	S4700420	ARKALIK POZİSYON MANDALI KOMPLESİ	1					
26	S4700421	KAPAK	1					
27	S4700422	SAKLAMA KUTUSU	1					
28	S4700301	DÖNER ADAPTÖR KOMP.	1					
29	S4700423	TOPUZ, İLERİ GERİ AYAR KOLU	1					
30	S4700424	ESNEME, ÜST	1					
31	S4700290	KÖRÜK	1					
32	S4700275	AMORTİSÖR	1					
33	S4700425	AYAR KOLU	1					
34	S4700263	BASKI PULU KİTİ	1					
35	S4700288	AĞIRLIK AYARI	1					
36	S4700268	YATAK KOLU	1					
37	S4700289	ESNEME, ALT	1					
39	S4700291	AĞIRLIK GÖSTERGESİ	1					
40	S4700426	ELCIK KOMPLESİ	1					
41	S4700295	AYAR KOLU	1					
42	S4700287	YATAK KİTİ	1					
43	S4700286	KEMER	1					
44	S4700427	DESTEK SACI K.K.	1					
45	S4700428	MAKAS	1					
46	S4700500	ESNEME KOMPLESİ	1					
47	S4700302	YAY	1					

KOLTUK KOMPLESİ SAET ASSEMBLY



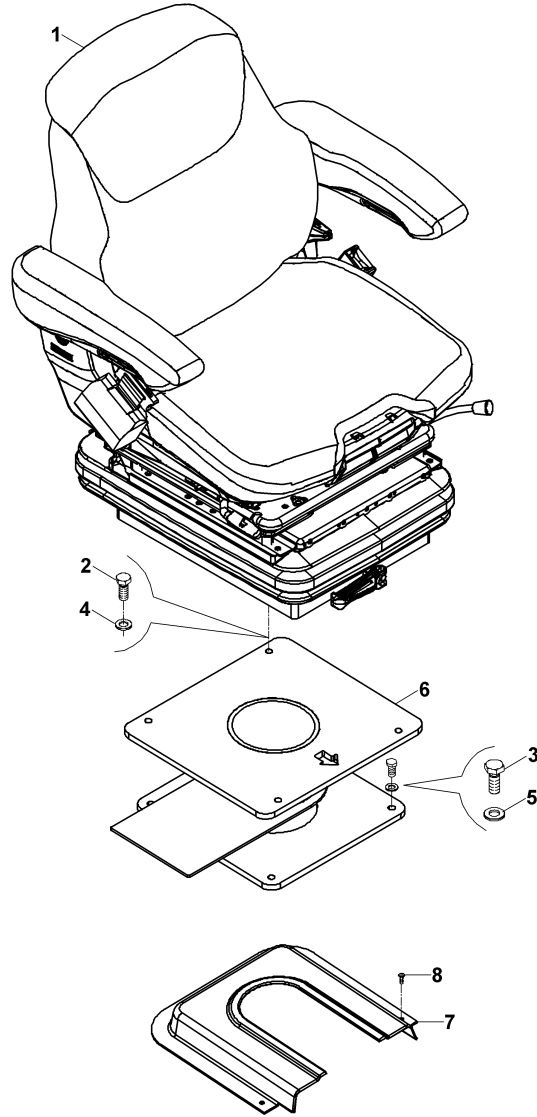
KOLTUK KOMPLESİ SAET ASSEMBLY

No	Parça No	Parça Adı	Description	Adet	S.K.	Bas.S.N	Bit.S.N	Y.K.	Not
No	Part no			Qty	SC	S/N from	S/N to	ICA	Note
0	F4700300	KOLTUK KOMPLESİ, HAVA SÜSPANSİYONLU	SEAT ASS'Y, WITH AIR SUSPANSION	1					
1	S4700374	NİVO AYARI	LEVEL CONTROL	1					
5	S4700327	SEGMAN	LOCK WASHER	1	K2				
6	S4700392	AMORTİSÖR KOMPLESİ	SHOCK ABSORBER KIT	1	(K2),				
7	S4700329	BURÇ	BUSHING	2	K1				
8	S4700387	ESNEME KOMPLESİ, ÜST	SUSPENSION UPPER PART KIT	1	(K3)				
9	S4700325	PERÇİN	RIVET	1					
10	S4700390	TAHDİT TAKOZU	BUMPER KIT	1	K1, K				
11	S4700332	PUL	WASHER	1	K4				
12	S4700385	KİLİTLEME KOLU KOMPLESİ	LOCKING LEVER KIT	1	K3, (
13	S4700378	YAY	TENSION SPRING	2	K4				
14	S4700338	ELCİK	HANDLE	1	K4				
16	S4700346	CIVATA	SCREW	1					
17	S4700350	AMORTİSÖR	SHOCK ABSORBER KIT	1	(K5)				
18	S4700342	DAYAMA	ENDSTOP	2	(K6)				
19	S4700334	PERÇİN	RIVET	2	K1,K3				
22	S4700368	SEGMAN	LOCK WASHER	4	K5, K				
23	S4700366	TAHDİT TAKOZU	DAMPING BUMPER BLACK	2	K10				
26	S4700340	TEL	CABLE BOWDEN HEIGHT	1	(K7)				
27	S4700354	TEL	CABLE BOWDEN HEIGHT	1	(K8)				
28	S4700356	VİDA	SCREW	3	K7,K8				
29	S4700344	TETİKLEME KOMPLESİ	TRIGGERING	1	(K9),				
30	S4700352	ELCİK	HANDLE	1	K9				
33	S4700336	TAHDİT TAKOZU	BUMPER	1	K1				
35	S4700358	MAKAS	SWING ARM KIT	1	(K10)				
36	S4700372	CIVATA	BOLT,SHOULDER	2	K1				
39	S4700348	DAYAMA KİTİ	ENDSTOP KIT	1	K10,K				
40	S4700370	MAKARA	ROLLER KIT	2	K3,K1				
43	S4700397	POLYAMİD YATAK	THRUST BEARING,PLASTIC	2	K10,K				
46	S4700330	MAKARA	ROLLER	4	K3,K1				
48	S4700360	ESNEME KOMPLESİ, ALT	SUSPENSION LOWER PART KIT	1	(K11)				
50	S4700362	KÖRÜK	BELLOWS	1					
52	S4700376	HAVA KÖRÜĞÜ	AIR SPRING KIT	1					
56	S4700382	KOMPRESÖR	COMPRESSOR KIT,12V	1					
59	S4700364	ELEKTRİK TESİSATI	CONNECTING CABLE	1					
60	S4700384	HORTUM	AIR HOSE KIT	1					
73	S4700380	PİM	CLEVIS PIN	2	K5,K1				
101	S4700395	YATAY ESNEME	FORE-AFT ISOLATOR	1	(K1)				
102	S4700399	KOLTUK BAŞLIĞI	HEADREST EXTENSION	1					
103	S4700298	KOLÇAK, SAĞ	BACKREST, RIGHT	1					
104	S4700297	KOLÇAK, SOL	ARMREST, LEFT	1					
105	S4700381	HORTUM	HOSE	1					

**KOLTUK MONTAJI
SEAT MOUNTING**

**KOLTUK MONTAJI
SEAT MOUNTING**

No	Parça No	Parça Adı		Adet	S.K.	Bas.S.N	Bit.S.N	Y.K.	Not
No	Part no		Description	Qty	SC	S/N from	S/N to	ICA	Note
1	F4700251	KOLTUK KOMPLESİ	SEAT ASS'Y	1					C140.00.02
2	N010232114	CIVATA	BOLT	4					M8x20
3	N010232462	CIVATA	BOLT	4					M10x20
4	N030810014	PUL	WASHER	4					M8
5	N030810018	PUL	WASHER	4					M10
6	01991454	KOLTUK ADAPTÖR KOMPLESİ	SEAT ADAPTER ASS'Y	1					
7	02043038	KAPLAMA, JOYSTİK	COVER, JOYSTICK	1					
8	N049602042	VİDA	BOLT	3					M6x16

**KOLTUK MONTAJI, HAVA SÜSPANSİYONLU
SEAT MOUNTING, WITH AIR SUSPANSION**

**KOLTUK MONTAJI, HAVA SÜSPANSİYONLU
SEAT MOUNTING, WITH AIR SUSPANSION**

No	Parça No	Parça Adı	Adet	S.K.	Bas.S.N	Bit.S.N	Y.K.	Not
No	Part no	Description	Qty	SC	S/N from	S/N to	ICA	Note
1	F4700300	KOLTUK KOMPLESİ, HAVA SÜSPANSİYONLU	1					C140.01.02
2	N010232114	CIVATA	4					M8x20
3	N010232438	CIVATA	4					M10x20
4	N030810014	PUL	4					M8
5	N030810015	PUL	4					M10
6	01991464	KOLTUK ADAPTÖR KOMPLESİ	1					
7	02043038	KAPLAMA, JOYSTİK	1					
8	N049602042	VİDA	3					M6x16

D - ATAÇMAN

D - ATTACHMENT

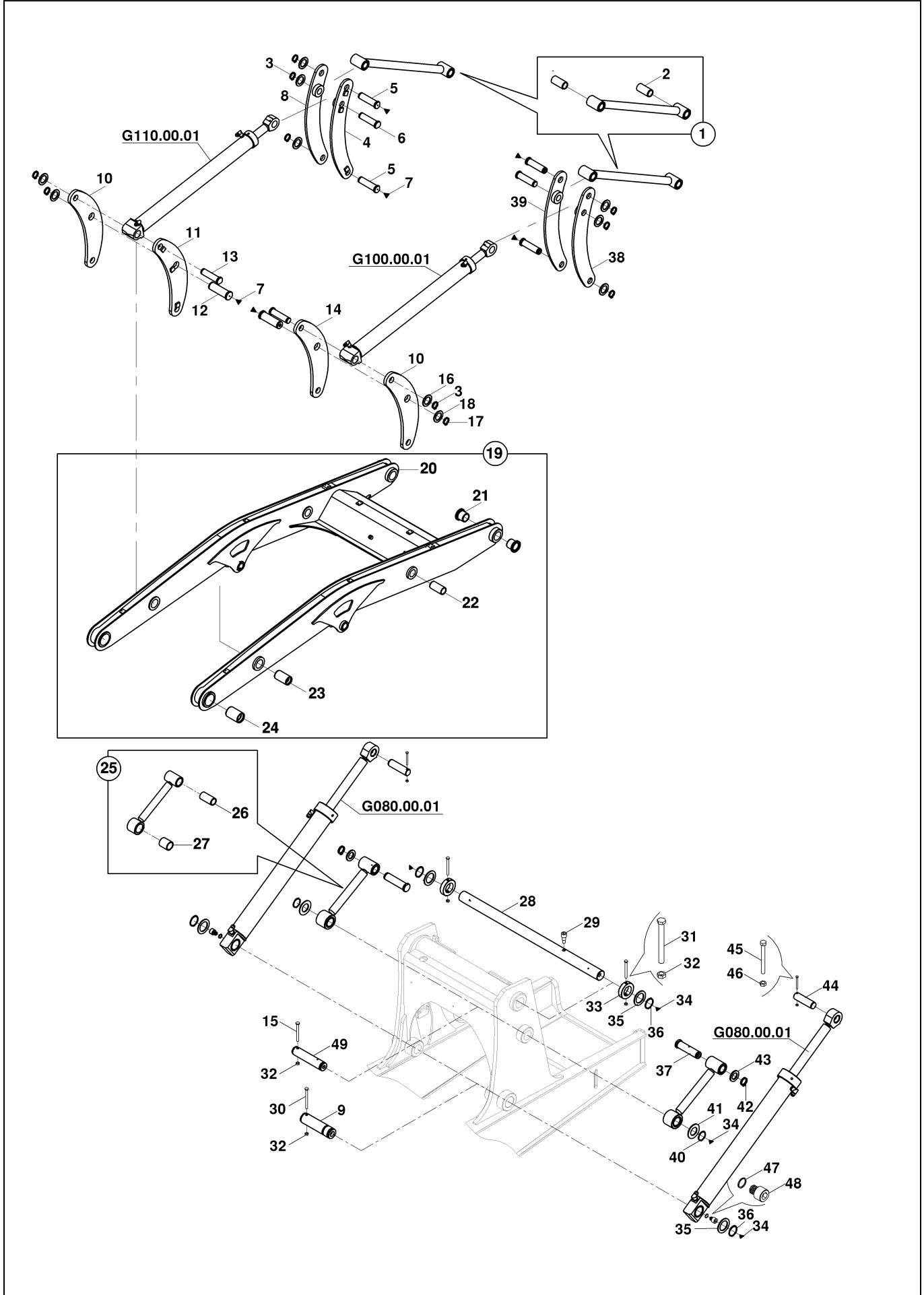
Sayfa No / Page No	Sayfa Adı	Page Name	Revizyon / Revision
D010.00.01	YÜKLEYİCİ KOL MONTAJI (1)	LOADER ARM MOUNTING (1)	
D010.00.02	YÜKLEYİCİ KOL MONTAJI (2)	LOADER ARM MOUNTING (2)	
D010.00.03	YÜKLEYİCİ KOL MONTAJI (3)	LOADER ARM MOUNTING (3)	
D020.00.01	AÇILIR KEPÇE (1.1 m3)	MULTIPORPUSE BUCKET, LOADER (1.1 m3)	
D020.01.01	AÇILIR KEPÇE (1.3 m3) (OP)	MULTIPURPOSE BUCKET, LOADER (1.3 m3) (OP)	
D020.02.01	AÇILIR KEPÇE (ÇABUK SÖK TAKLI) (OP)	MULTIPURPOSE BUCKET, LOADER(WITH QUICK COUPLER)(OP)	
D020.03.01	AÇILIR KEPÇE (1 m3) (OP)	MULTIPORPUSE BUCKET, LOADER (1 m3) (OP)	
D020.04.01	AÇILIR KEPÇE (1,2 m3) (OP)	MULTIPORPUSE BUCKET, LOADER (1,2 m3) (OP)	
D030.00.01	SABİT KEPÇE (1.2 m3) (OP)	SHOVEL (1.2 m3) (OP)	
D030.01.01	SABİT KEPÇE (1.5 m3) (OP)	SHOVEL (1.5 m3) (OP)	
D030.02.01	BAĞLANTI MONTAJ KİTİ, YÜKLEYİCİ (KEPÇESİZ) (OP)	CONNECTION MOUNTING, LOADER (NO BUCKET) (OP)	
D040.00.01	TESVİYE KÜREĞİ (716x2800) (OP)	LEVELLING BLADE (716x2800) (OP)	
D040.01.01	TESVİYE KÜREĞİ (900x2800) (OP)	LEVELLING BLADE (900x2800) (OP)	
D040.02.01	TESVİYE KÜREĞİ (ÇABUK SÖK TAKLI, 716x 2800) (OP)	LEVELLING BLADE WITH QUICK COUPLER (716x2800)(OP)	
D040.03.01	TESVİYE KÜREĞİ (ÇABUK SÖK TAKLI, 900x 2800) (OP)	LEVELLING BLADE WITH QUICK COUPLER(900x 2800)(OP)	
D040.04.01	TESVİYE KÜREĞİ (ÇİFT EKSENLİ) (OP)	LEVELLING BLADE (DOUBLE AXIS) (OP)	
D050.00.01	TOMRUK YÜKLEYİCİ (2+1 TIRNAKLI) (OP)	LOG GRAPPLE (2+1 CLAMP) (OP)	
D050.01.01	TOMRUK YÜKLEYİCİ, (HAREKETLİ, Ø200mm) (OP)	LOG GRAPPLE, (WITH VERTICAL MOVEMENT Ø200mm) (OP)	
D050.02.01	TOMRUK YÜKLEYİCİ, (HAREKETLİ, Ø500mm)	LOG GRAPPLE, (WITH VERTICAL MOVEMENT Ø500mm)	
D050.03.01	TOMRUK YÜKLEYİCİ (3+2 TIRNAKLI)	LOG GRAPPLE (3+2 CLAMP)	
D060.00.01	FORKLİFT APARATI (AÇILIR KEPÇE) (OP)	FORKLIFT (MULTIPURPOSE BUCKET) (OP)	
D060.01.01	FORKLİFT APARATI (SABİT KEPÇE 1.2 m3) (OP)	FORKLIFT (SHOVEL 1.2 m3) (OP)	
D060.02.01	FORKLİFT APARATI (SABİT KEPÇE 1.5 m3) (OP)	FORKLIFT (SHOVEL 1.5 m3) (OP)	
D070.00.01	ÇABUK SÖK TAK (YÜKLEYİCİ KEPÇE) (OP)	QUICK COUPLER (LOADER) (OP)	
D080.00.01	BOM MONTAJI	BOOM MOUNTING	
D090.00.01	ARM MONTAJI	ARM MOUNTING	
D090.02.01	TELESKOPIK ARM MONTAJI (OP)	TELESCOPIC ARM MOUNTING (OP)	
D100.00.01	KEPÇE BAĞLANTISI	BUCKET LINKAGE	
D110.00.01	KEPÇE, KAZICI (300 mm)	BUCKET, BACKHOE (300 mm)	
D110.01.01	KEPÇE, KAZICI (350 mm)	BUCKET, BACKHOE (350 mm)	
D110.02.01	KEPÇE, KAZICI (400 mm)	BUCKET, BACKHOE (400 mm)	

D - ATAÇMAN

D - ATTACHMENT

Sayfa No / Page No	Sayfa Adı	Page Name	Revizyon / Revision
D110.03.01	KEPÇE, KAZICI (500 mm)	BUCKET, BACKHOE (500 mm)	
D110.04.01	KEPÇE, KAZICI (600 mm)	BUCKET, BACKHOE (600 mm)	
D110.05.01	KEPÇE, KAZICI (700 mm)	BUCKET, BACKHOE (700 mm)	
D110.06.01	KEPÇE, KAZICI (800 mm)	BUCKET, BACKHOE (800 mm)	
D110.07.01	KEPÇE, KAZICI (900 mm)	BUCKET, BACKHOE (900 mm)	
D110.09.01	BAĞLANTI MONTAJ KİTİ, KAZICI (KEPÇESİZ) (OP)	CONNECTION MOUNTING, BACKHOE (NO BUCKET) (OP)	
D120.00.01	DÖNERLİ KANAL KEPÇESİ (OP)	TILTING BUCKET (OP)	
D130.00.01	KEPÇE, KAZICI (TRAPEZ)	BUCKET, BACKHOE (TRAPEZE)	
D140.00.01	ÇABUK SÖK TAK, KAZICI (OP)	QUICK COUPLER, BACKHOE (OP)	
D150.00.01	KIRICI MONTAJI (MONTABERT- SC 36) (OP)	BREAKER MOUNTING (MONTABERT- SC 36) (OP)	
D150.00.02	KIRICI KOMPLESİ (MONTABERT- SC 36) (OP)	BREAKER ASSEMBLY (MONTABERT- SC 36) (OP)	
D150.01.01	KIRICI MONTAJI (MONTABERT- SC 28) (OP)	BREAKER MOUNTING (MONTABERT- SC 28) (OP)	
D150.01.02	KIRICI KOMPLESİ (MONTABERT- SC 28) (OP)	BREAKER ASSEMBLY (MONTABERT- SC 28) (OP)	
D150.04.01	KIRICI MONTAJI (DEMO DMB50) (OP)	BREAKER MOUNTING (DEMO DMB50) (OP)	
D150.04.02	KIRICI KOMPLESİ (DEMO DMB50) (OP)	BREAKER ASSEMBLY (DEMO DMB50) (OP)	
D150.05.01	KIRICI MONTAJI (DEMO DMB70) (OP)	BREAKER MOUNTING (DEMO DMB70) (OP)	
D150.05.02	KIRICI KOMPLESİ (DEMO DMB70) (OP)	BREAKER ASSEMBLY (DEMO DMB70) (OP)	
D150.06.01	KIRICI MONTAJI (LIFTON LH 360) (OP)	BREAKER MOUNTING (LIFTON LH 360) (OP)	
D150.06.02	KIRICI KOMPLESİ (LIFTON LH 360) (OP)	BREAKER ASSEMBLY (LIFTON LH 360) (OP)	
D150.07.01	KIRICI MONTAJI (TOKU) (OP)	BREAKER MOUNTING (TOKU) (OP)	
D150.07.02	KIRICI KOMPLESİ (TOKU) (OP)	BREAKER ASSEMBLY (TOKU) (OP)	
D150.08.01	KIRICI MONTAJI (MONTABERT- HKR 140) (OP)	BREAKER MOUNTING (MONTABERT-HKR 140) (OP)	
D150.08.02	KIRICI KOMPLESİ (MONTABERT- HKR 140) (OP)	BREAKER ASSEMBLY (MONTABERT- HKR 140) (OP)	
D150.09.01	KIRICI MONTAJI (MONTABERT- 95) (OP)	BREAKER MOUNTING (MONTABERT- 95) (OP)	
D150.09.02	KIRICI KOMPLESİ (MONTABERT- 95) (OP)	BREAKER ASSEMBLY (MONTABERT- 95) (OP)	
D150.10.01	KIRICI MONTAJI (DEMO S700V) (OP)	BREAKER MOUNTING (DEMO S700V) (OP)	
D150.10.02	KIRICI KOMPLESİ (DEMO S700V) (OP)	BREAKER ASSEMBLY (DEMO S700V) (OP)	
D160.00.01	BURGU (Ø350x1000) (OP)	AUGER (Ø350x1000) (OP)	
D160.01.01	BURGU (Ø500x1300) (OP)	AUGER (Ø500x1300) (OP)	
D160.02.01	BURGU (Ø610x1600) (OP)	AUGER (Ø610x1600) (OP)	
D170.00.01	RİPER (OP)	RIPPER (OP)	

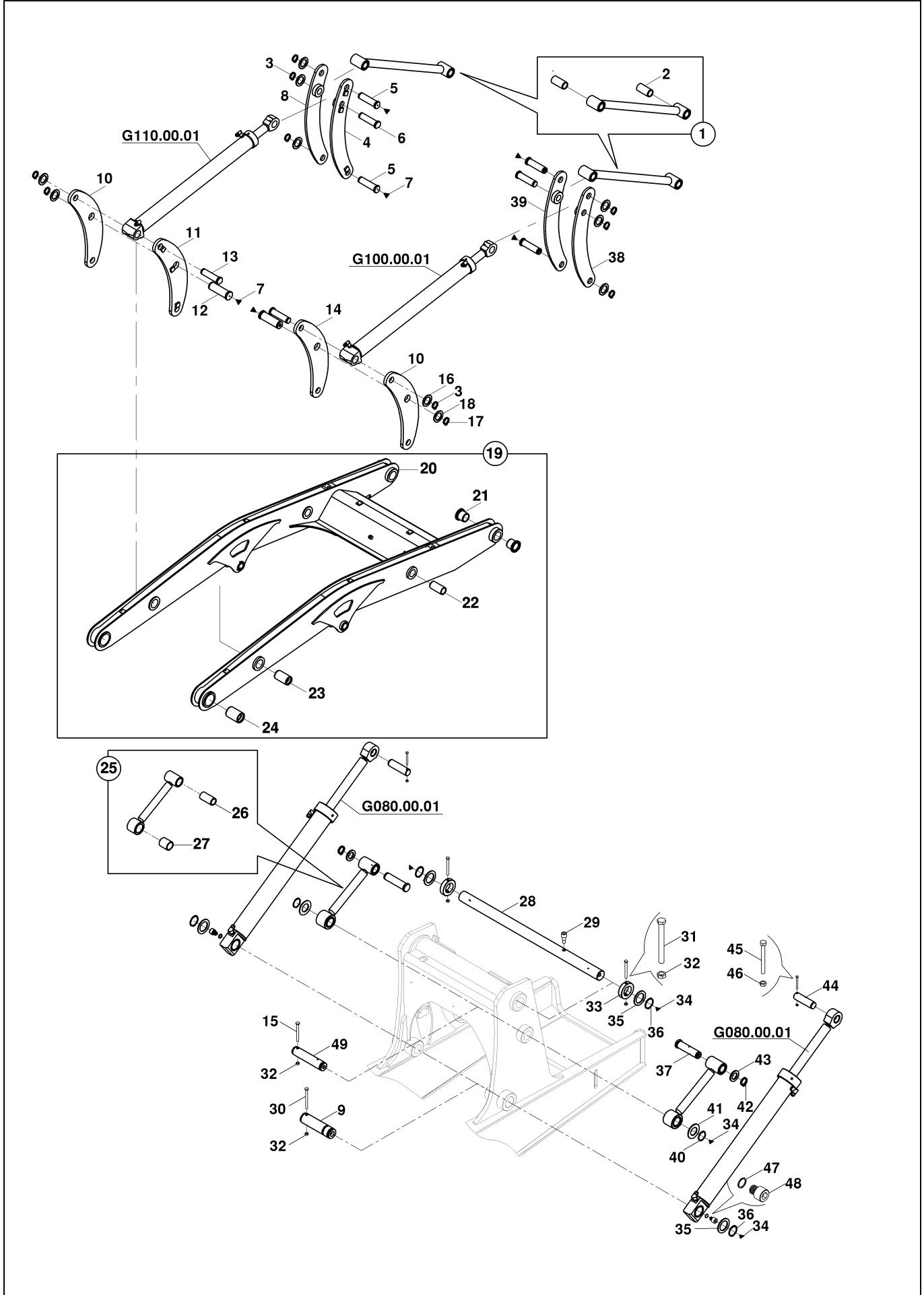
YÜKLEYİCİ KOL MONTAJI (1) LOADER ARM MOUNTING (1)



YÜKLEYİCİ KOL MONTAJI (1)
LOADER ARM MOUNTING (1)

No	Parça No	Parça Adı	Adet	S.K.	Bas.S.N	Bit.S.N	Y.K.	Not
No	Part no	Description	Qty	SC	S/N from	S/N to	ICA	Note
1	01911602	BAĞLANTI KOLU KOMPLESİ	2					
2	80201218	BURÇ	2					
3	N050760018	SEGMAN	6					
4	01993035	BAĞLANTI SACI K.K.	1					
5	80105070	PİM	4					
6	80111110	PİM	2					
7	N081210020	NİPEL, GRES	6					
8	01993036	BAĞLANTI SACI K.K.	1					
9	80119160	PİM	2					
10	02001607	BAĞLANTI SACI	2					
11	01911323	BAĞLANTI SACI	1					
12	80105066	PİM	2					
13	80111100	PİM	2					
14	01911333	BAĞLANTI SACI	1					
15	N010371010	CIVATA	2					M12x120
16	80500681	PUL	10					
17	N050020090	SEGMAN	2					
18	80500510	PUL	2					
19	01813168	YÜKLEYİCİ KOL KOMPLESİ	1					
20	01910232	YÜKLEYİCİ KOL K.K.	1					
21	80202680	BURÇ	4					
22	80201218	BURÇ	2					
23	80201076	BURÇ	2					
24	80201516	BURÇ	2					
25	01911163	BAĞLANTI KOLU KOMPLESİ	2					
26	80201218	BURÇ	2					
27	80201355	BURÇ	2					
28	80118111	PİM	1					
29	81300114	CIVATA, ÖZEL	1					M20
30	N010371022	CIVATA	2					M12x130
31	N010370998	CIVATA	2					M12x110
32	N025900122	SOMUN	6					M12
33	02021199	BİLEZİK, PİM SABİTLEME	2					
34	N081210020	NİPEL, GRES	6					
35	80500542	PUL	4					
36	N050020104	SEGMAN	4					
37	80105068	PİM	2					
38	01993033	BAĞLANTI SACI K.K.	1					
39	01993034	BAĞLANTI SACI K.K.	1					
40	N050020090	SEGMAN	2					
41	80500944	PUL	2					
42	N050760018	SEGMAN	2					
43	80500681	PUL	2					
44	80102076	PİM	2					
45	N010370470	CIVATA	2					M8x70
46	N025900062	SOMUN	2					M8
47	N030221252	CONTA	2					

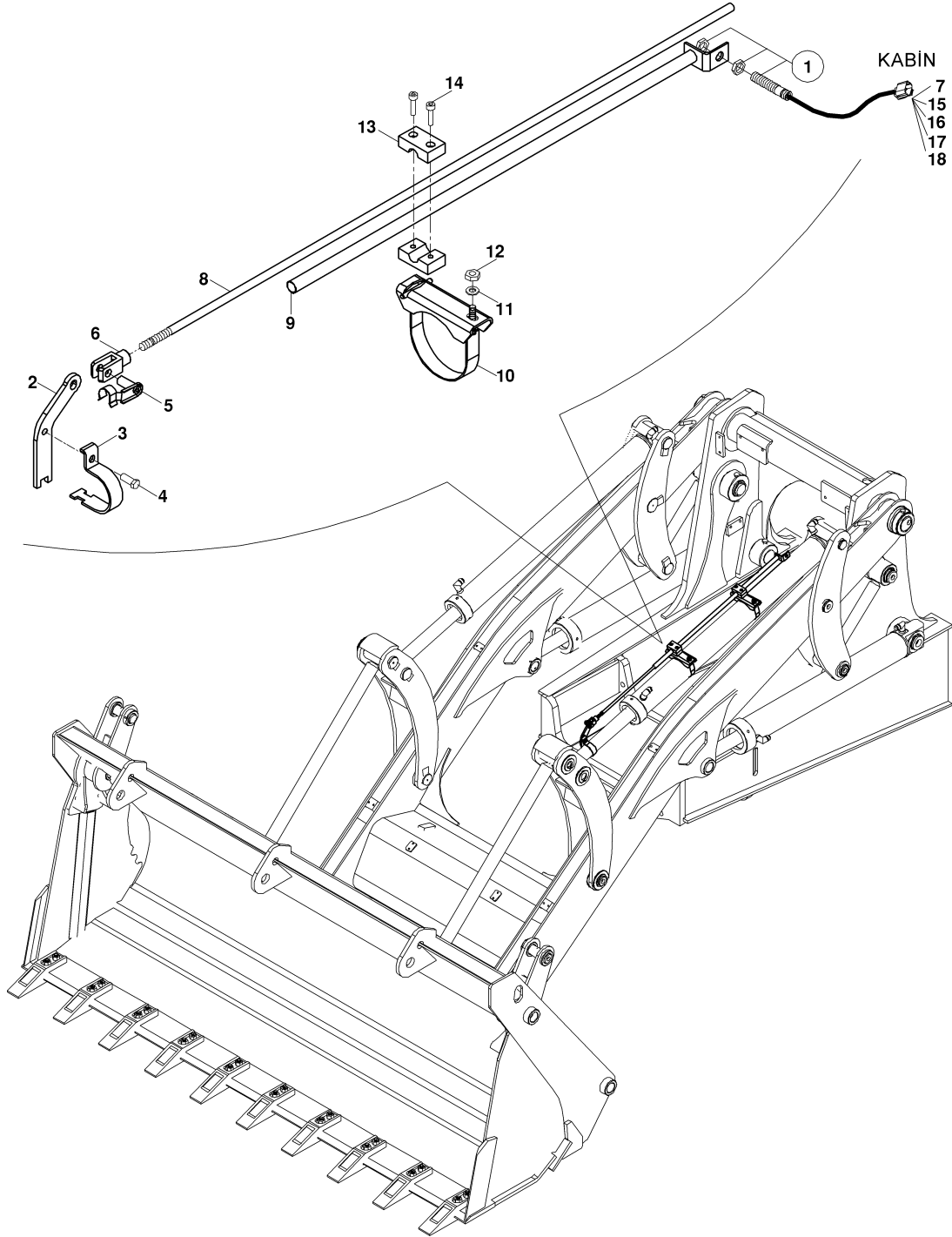
YÜKLEYİCİ KOL MONTAJI (1) LOADER ARM MOUNTING (1)



YÜKLEYİCİ KOL MONTAJI (1)
LOADER ARM MOUNTING (1)

No	Parça No	Parça Adı	Adet	S.K.	Bas.S.N	Bit.S.N	Y.K.	Not
No	Part no	Description	Qty	SC	S/N from	S/N to	ICA	Note
48	81300110	YAĞLAMA ADAPTÖRÜ	2					
49	80119100	PİM	2					

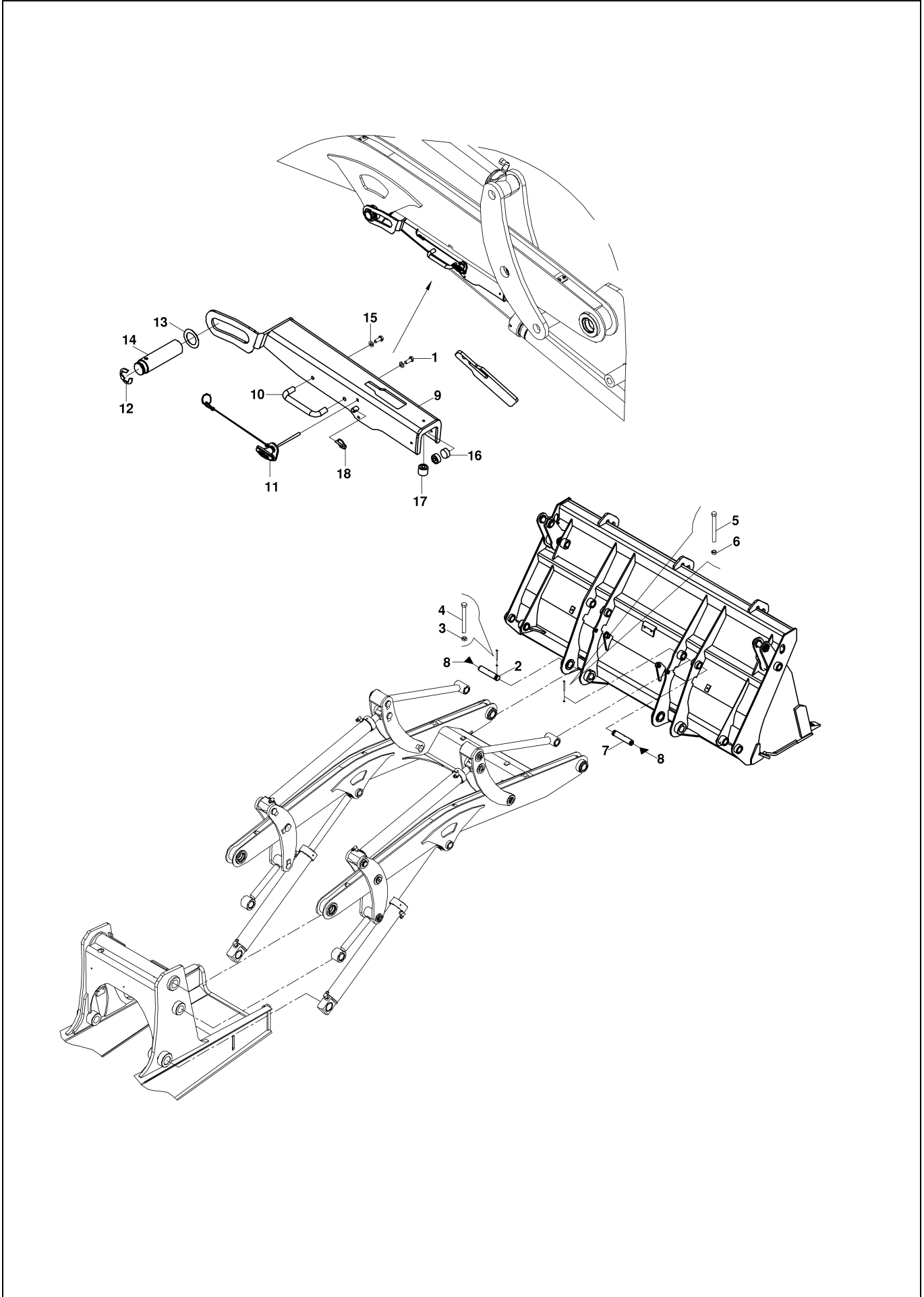
YÜKLEYİCİ KOL MONTAJI (2) LOADER ARM MOUNTING (2)



YÜKLEYİCİ KOL MONTAJI (2)
LOADER ARM MOUNTING (2)

No	Parça No	Parça Adı	Description	Adet	S.K.	Bas.S.N	Bit.S.N	Y.K.	Not
No	Part no			Qty	SC	S/N from	S/N to	ICA	Note
1	55400033	SENSÖR, KONUM	SENSOR, PROXIMITY	1					
2	02030403	SAC	PLATE	1					
3	02011528	KELEPÇE	CLAMP	1					
4	N010222114	CIVATA	BOLT	1					M8x20
5	F9960056	PİM	PIN	1					
6	F9960051	ÇATAL	YOKE	1					
7	50607000	KONNEKTÖR	CONNECTOR, MALE, 3 PIN	1					
8	02021111	ÇUBUK	ROD	1					
9	01992208	BORU K.K.	PIPE W.A.	1					
10	81053095	KELEPÇE KOMPLESİ	CLAMP ASS'Y	2					
11	N030100016	PUL	WASHER	2					M8
12	N023570182	SOMUN	NUT	2					M8
13	N072016013	KELEPÇE	CLAMP BODY	4					
14	N015870350	CIVATA	BOLT	4					M6x30
15	54524100	KONDÜİT	CONDUIT	2,5m					
16	50607001	KONNEKTÖR KİLİDİ	RETAINER, MALE, 3 PIN	1					
17	50903000	TERMINAL	TERMINAL, MALE	3					
18	52919000	CONTA	SEAL, TERMINAL	3					

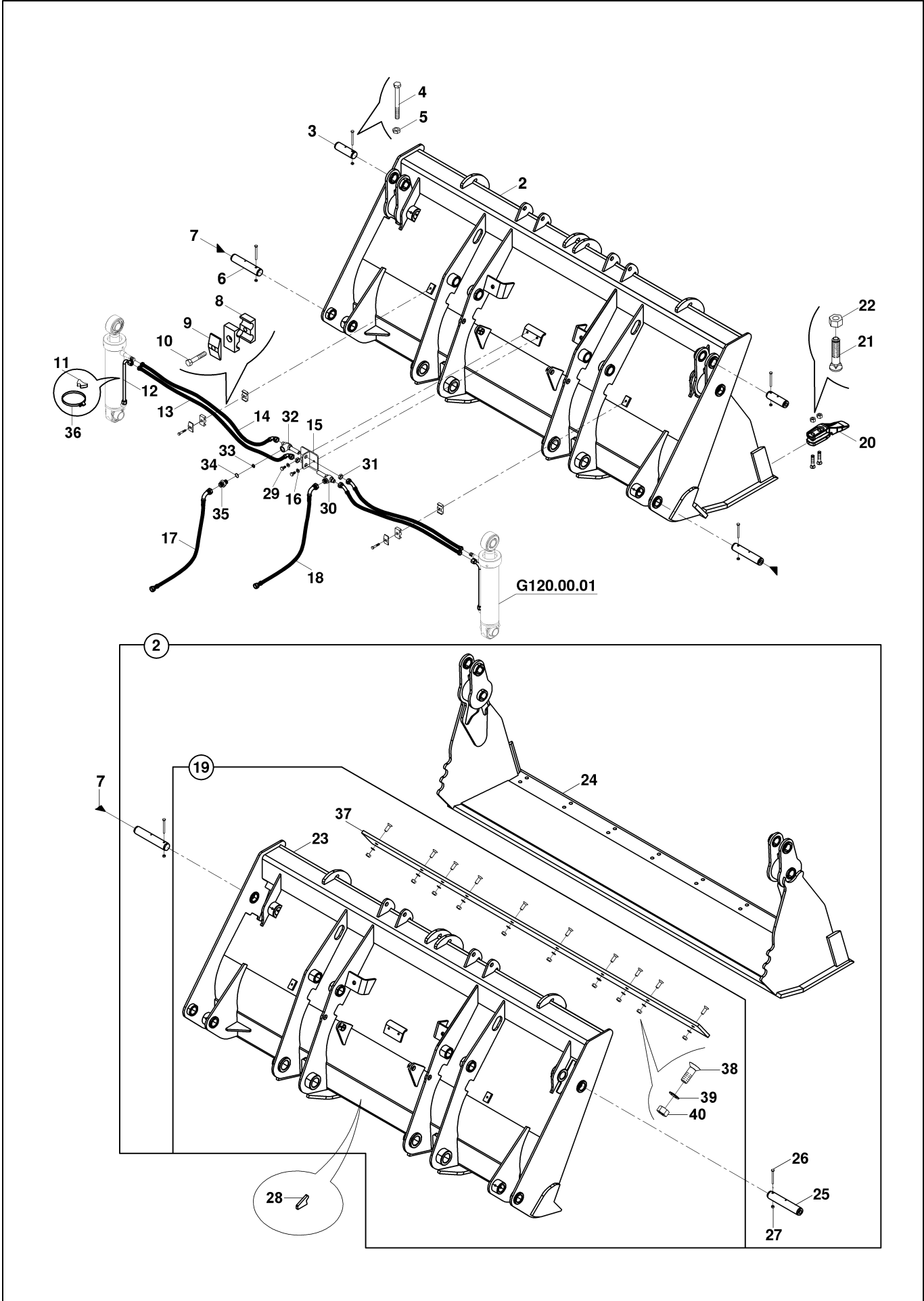
YÜKLEYİCİ KOL MONTAJI (3) LOADER ARM MOUNTING (3)



YÜKLEYİCİ KOL MONTAJI (3)
LOADER ARM MOUNTING (3)

No	Parça No	Parça Adı	Description	Adet	S.K.	Bas.S.N	Bit.S.N	Y.K.	Not
No	Part no			Qty	SC	S/N from	S/N to	ICA	Note
1	N010232114	CIVATA	BOLT	2					M8x20
2	80104130	PİM	PIN	2					
3	N025900122	SOMUN	NUT	2					M12
4	N010380986	CIVATA	BOLT	2					M12x100
5	N010380494	CIVATA	BOLT	2					M8x80
6	N025900062	SOMUN	NUT	2					M8
7	80104120	PİM	PIN	2					
8	N081210020	NİPEL, GRES	NIPPLE, GREASE	4					
9	01990812	EMNİYET SACI K.K.,YÜKLEYİCİ KOL	SAFETY STRUT, LOADER ARM	1					
10	F9950050	TUTAMAK	HANDLE	1					
11	F9900470	SABİTLEME PİMİ	PIN	1					
12	N050760018	SEGMAN	RETAINING RING	1					
13	80500486	PUL	WASHER	1					
14	80102078	PİM	PIN	1					
15	N030020111	PUL	WASHER	2					M8
16	81040069	TAHDİT TAKOZU	STOPPER, RUBBER	2					
17	81040079	TAHDİT TAKOZU	STOPPER, RUBBER	1					
18	N063006042	HALKALI PİM	PIN, LINCH	1					

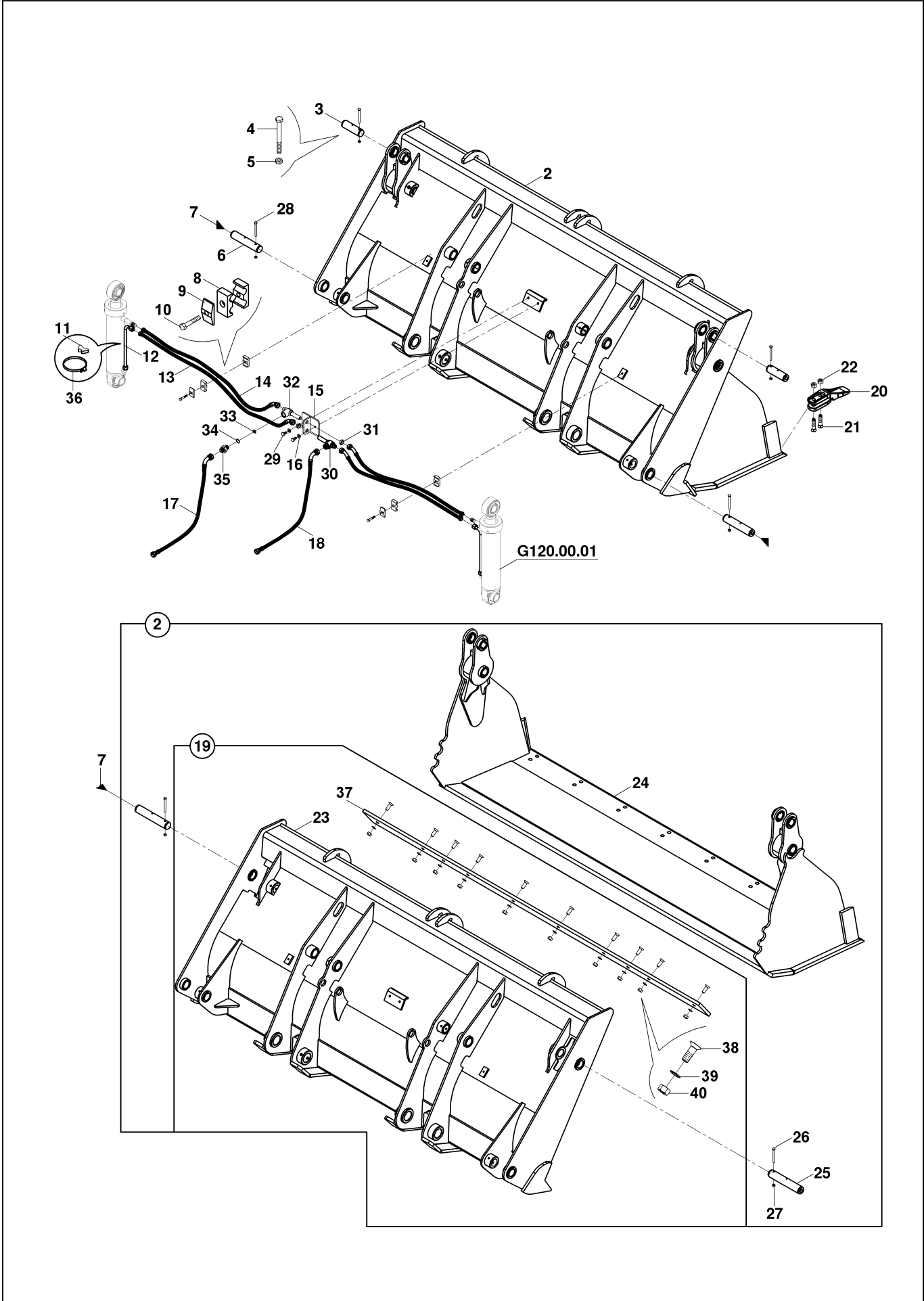
AÇILIR KEPÇE (1.1 m3) MULTIPORPÜSE BUCKET, LOADER (1.1 m3)



AÇILIR KEPÇE (1.1 m3)
MULTIPORPUSE BUCKET, LOADER (1.1 m3)

No	Parça No	Parça Adı	Adet	S.K.	Bas.S.N	Bit.S.N	Y.K.	Not
No	Part no	Description	Qty	SC	S/N from	S/N to	ICA	Note
0	01759002	AÇILIR KEPÇE KOMPLESİ	1					
2	06010624	AÇILIR KEPÇE	1					
3	80102016	PİM	2					
4	N015890535	CIVATA	4					M8x75
5	N025910062	SOMUN	4					M8
6	80104096	PİM	2					
7	N081210020	NİPEL, GRES	4					
8	N073016003	KELEPÇE	4					
9	N073016002	KELEPÇE ÜST PARÇASI	2					
10	N010232186	CIVATA	2					M8x40
11	81400362	KELEPÇE ALTLIĞI	2					
12	45250813	BORU KOMPLESİ	2					
13	663112N097	HORTUM KOMPLESİ	2					
14	6631126097	HORTUM KOMPLESİ	4					
15	01992200	BRAKET	1					
16	N030111251	PUL	2					M10
17	664222B092	HORTUM	1					
18	664222B092	HORTUM	1					
19	06010637	SABİT KANAT-BIÇAK KOMPLESİ	1					
20	81010605	TIRNAK	8					
21	N015610145	CIVATA	16					
22	N028660481	SOMUN	16					
23	06020704	SABİT KANAT K.K.	1					
24	06020642	HAREKETLİ KANAT	1					
25	80104098	PİM	2					
26	N010380494	CIVATA	2					M8x90
27	N025900062	SOMUN	2					M8
28	02000270	TAHDİT SACI	1					
29	N010232438	CIVATA	2					M10x20
30	80630530	NİPEL	1					
31	80400618	SOMUN	2					
31	80400632	SOMUN	2					
32	80630540	NİPEL	1					
33	02021325	KISICI	1					
34	N102001924	O-RİNG	1					
35	80624070	NİPEL	1					
36	N074080100	KELEPÇE	2					
37	02021737	ÖN BIÇAK	1					
38	N044331118	CIVATA	10					M14x40
39	N030100026	PUL	10					M14
40	N023580290	SOMUN	10					M14

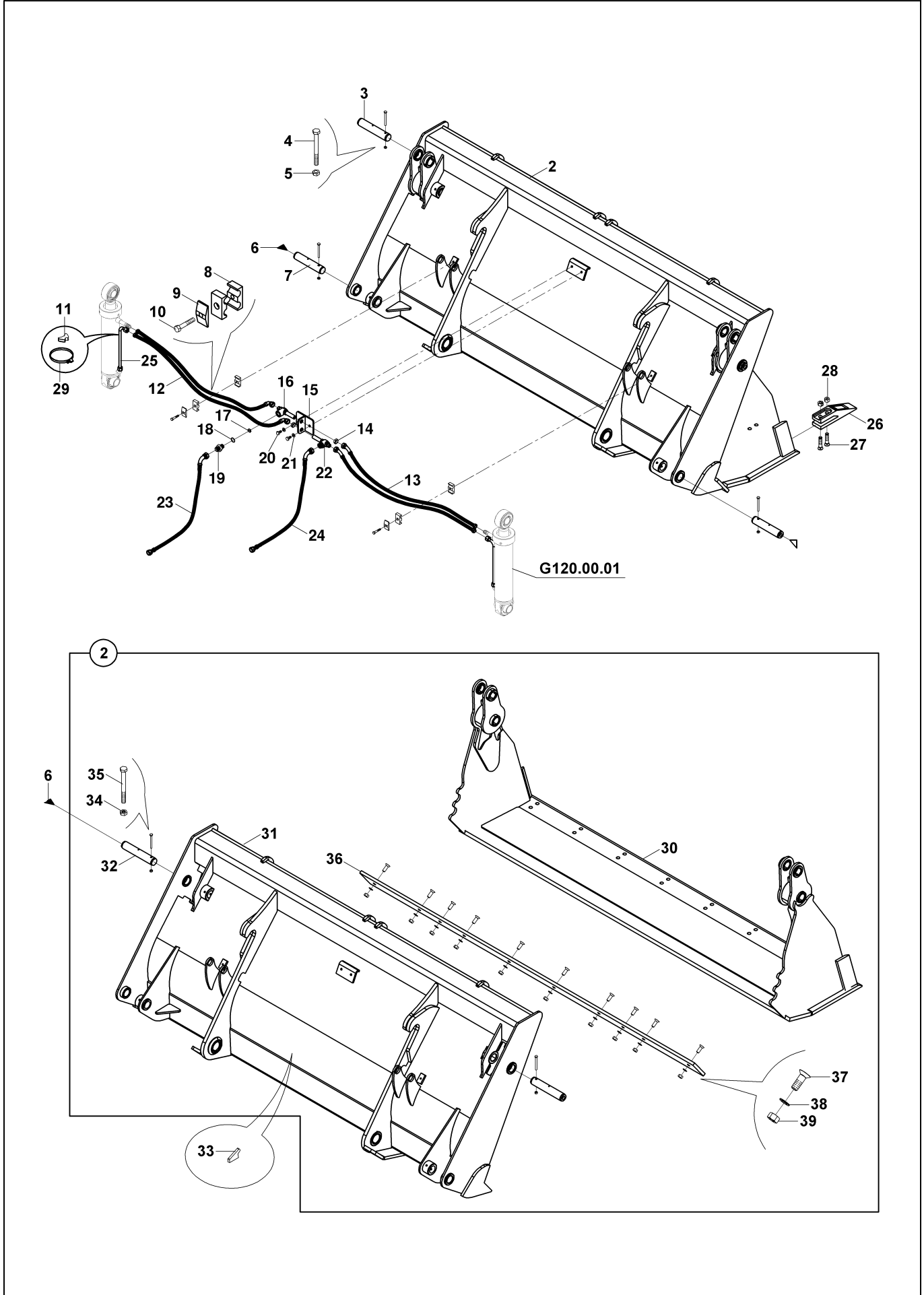
AÇILIR KEPÇE (1.3 m³) (OP)
MULTIPURPOSE BUCKET, LOADER (1.3 m³) (OP)



AÇILIR KEPÇE (1.3 m3) (OP)
MULTIPURPOSE BUCKET, LOADER (1.3 m3) (OP)

No	Parça No	Parça Adı	Description	Adet	S.K.	Bas.S.N	Bit.S.N	Y.K.	Not
No	Part no			Qty	SC	S/N from	S/N to	ICA	Note
0	01759006	AÇILIR KEPÇE KOMPLESİ	MULTIPURPOSE BUCKET ASS'Y, LOADER	1					
2	06010647	AÇILIR KEPÇE K.K.	SHOVEL, CLAM W.A.	1					
3	80102016	PİM	PIN	2					
4	N015890535	CIVATA	BOLT	2					M8x75
5	N025910062	SOMUN	NUT	4					M8
6	80104096	PİM	PIN	2					
7	N081210020	NİPEL, GRES	NIPPLE, GREASE	4					
8	N073016003	KELEPÇE	CLAMP BODY	4					
9	N073016002	KELEPÇE ÜST PARÇASI	COVER, CLAMP	2					
10	N010232186	CIVATA	BOLT	2					M8x40
11	81400362	KELEPÇE ALTLIĞI	CLAMP SUPPORT	2					
12	45250813	BORU KOMPLESİ	PIPE ASS'Y	2					
13	663112N098	HORTUM KOMPLESİ	HOSE ASS'Y	2					
14	6631126098	HORTUM KOMPLESİ	HOSE ASS'Y	4					
15	01992200	BRAKET	BRACKET	1					
16	N030810015	PUL	WASHER	2					M10
17	66422MB092	HORTUM KOMPLESİ	HOSE ASS'Y	1					
18	664222B092	HORTUM	HOSE	1					
19	06020709	SABİT KANAT BIÇAK MONTAJI	BLADE, BACK	1					
20	81010605	TIRNAK	TOOTH	8					
21	N015610145	CIVATA	BOLT	16					
22	N028660481	SOMUN	NUT	16					
23	06020710	SABİT KANAT K.K.	BACK SIDE, MULTIPURPOSE BUCKET	1					
24	06020708	ÇENE, AÇILIR KEPÇE, HAREKETLİ	JAW, MULTIPURPOSE BUCKET	1					
25	80104098	PİM	PIN	2					
26	N010232282	CIVATA	BOLT	2					M8x80
27	N025910062	SOMUN	NUT	2					M8
28	N010380493	CIVATA	BOLT	2					M8x80
29	N010232438	CIVATA	BOLT	2					M10x20
30	80630530	NİPEL	ADAPTER	1					
31	80400632	SOMUN	NUT, SPECIAL	2					
32	80630540	NİPEL	ADAPTER	1					
33	02021325	KISICI	RESTRICTOR	1					
34	N102001923	O-RİNG	O-RING	1					
35	80624070	NİPEL	ADAPTER	1					
36	N074080100	KELEPÇE	CLAMP	2					
37	02021737	ÖN BIÇAK	CUTTING EDGE	1					
38	N044331118	CIVATA	SCREW	10					M14x40
39	N030100026	PUL	WASHER	10					M14
40	N023580290	SOMUN	NUT	10					M14

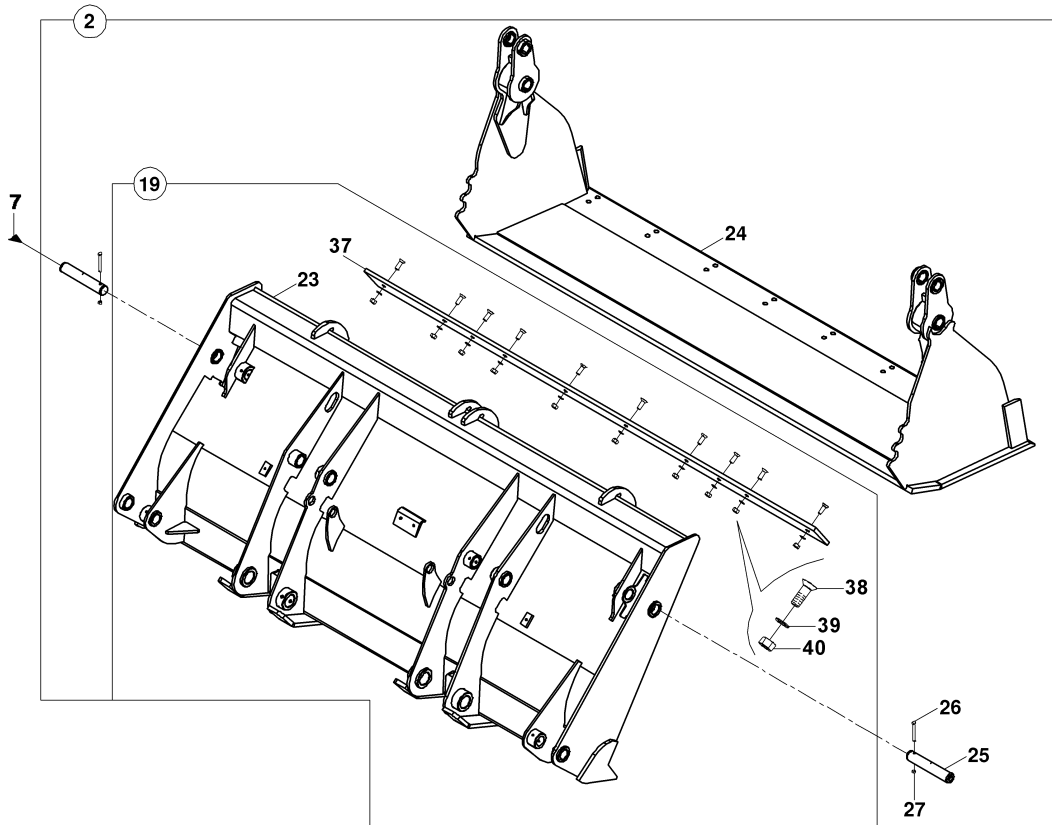
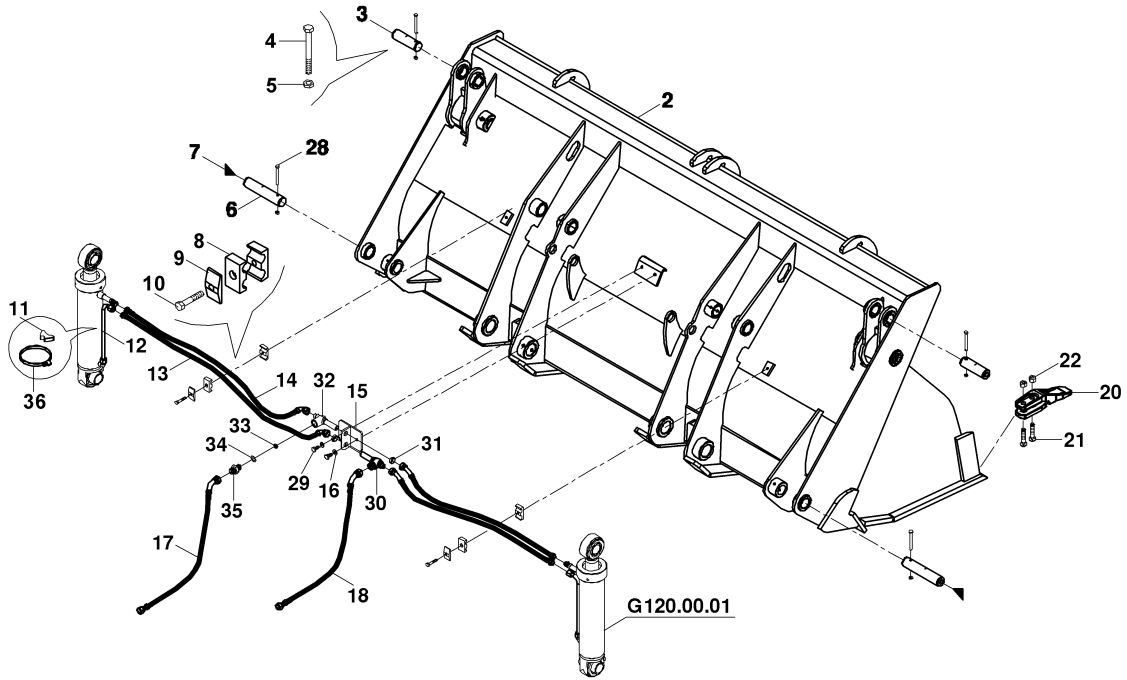
AÇILIR KEPÇE (ÇABUK SÖK TAKLI) (OP)
MULTIPURPOSE BUCKET, LOADER(WITH QUICK COUPLER)(OP)



AÇILIR KEPÇE (ÇABUK SÖK TAKLI) (OP)
MULTIPURPOSE BUCKET, LOADER(WITH QUICK COUPLER)(OP)

No	Parça No	Parça Adı	Description	Adet	S.K.	Bas.S.N	Bit.S.N	Y.K.	Not
No	Part no			Qty	SC	S/N from	S/N to	ICA	Note
0	01759003	AÇILIR KEPÇE KOMPLESİ	MULTI PURPOSE BUCKET, ASS'Y.	1					
2	06010625	AÇILIR KEPÇE	SHOVEL, CLAM	1					
3	80102016	PİM	PIN	2					
4	N015890535	CIVATA	BOLT	4					M8x80
5	N025910062	SOMUN	NUT	4					M8
6	N081210020	NİPEL, GRES	NIPPLE, GREASE	4					
7	80104096	PİM	PIN	2					
8	N073016002	KELEPÇE ÜST PARÇASI	COVER, CLAMP	2					
9	N073016003	KELEPÇE	CLAMP BODY	4					
10	N0103870398	CIVATA	BOLT	2					M8x45
11	81400362	KELEPÇE ALTLIĞI	CLAMP SUPPORT	2					
12	663112N100	HORTUM	HOSE	2					
13	6631126100	HORTUM	HOSE	2					
14	80400632	SOMUN	NUT, SPECIAL	2					
15	01992200	BRAKET	BRACKET	1					
16	80630540	NİPEL	ADAPTER	1					
17	02021325	KISICI	RESTRICTOR	1					
18	N102001923	O-RİNG	O-RING	1					
19	80624070	NİPEL	ADAPTER	1					
20	N010232438	CIVATA	BOLT	2					M10x20
21	N030111251	PUL	WASHER	2					M10
22	80630530	NİPEL	ADAPTER	1					
23	664222B092	HORTUM	HOSE	1					
24	664222B092	HORTUM	HOSE	1					
25	45250813	BORU KOMPLESİ	PIPE ASSY	1					
26	81010605	TIRNAK	TOOTH	10					
27	N015610145	CIVATA	BOLT	20					
28	N028660481	SOMUN	NUT	20					
29	N074080100	KELEPÇE	CLAMP	2					
30	06020642	HAREKETLİ KANAT	JAW, CLAMSHOVEL	1					
31	06021018	SABİT KANAT	BLADE, BACK	1					
32	80104098	PİM	PIN	2					
33	02000270	TAHDİT SACI	STOPPER	1					(1)
34	N025910062	SOMUN	NUT	2					M8
35	N010380493	CIVATA	BOLT	2					M8x80
36	02021737	ÖN BIÇAK	CUTTING EDGE	1					
37	N044331118	CIVATA	SCREW	10					M14x40
38	N030100026	PUL	WASHER	10					M14
39	N023580290	SOMUN	NUT	10					M14

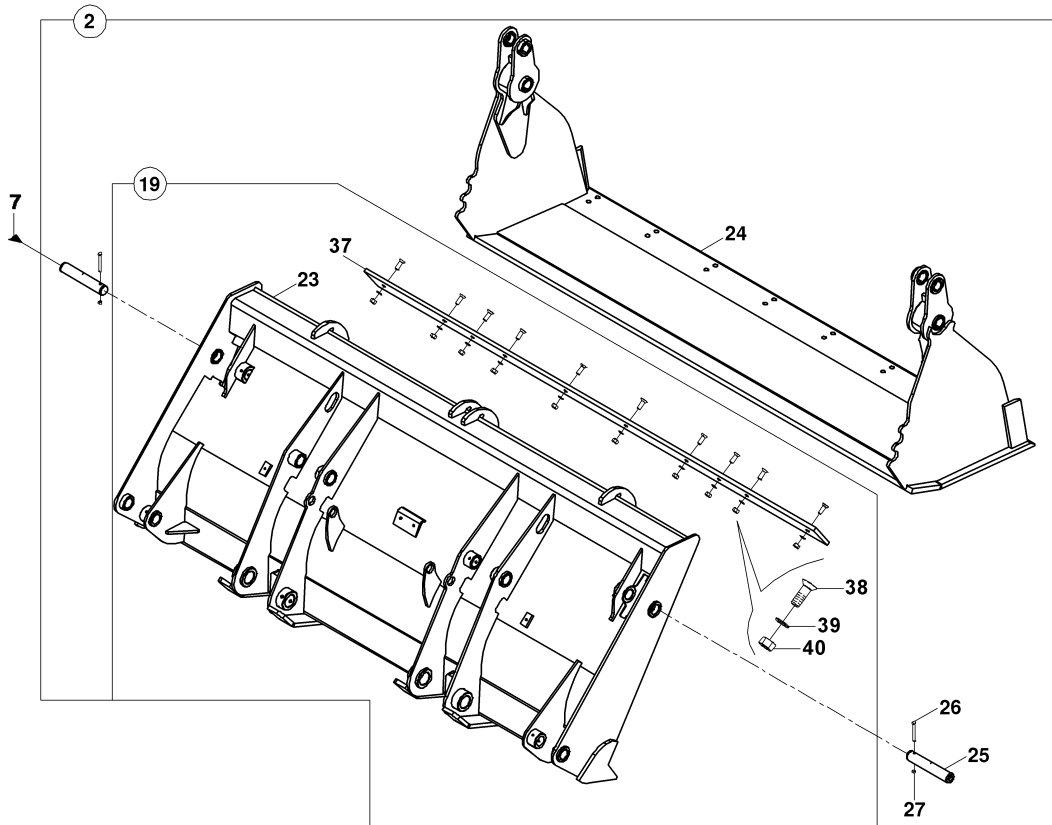
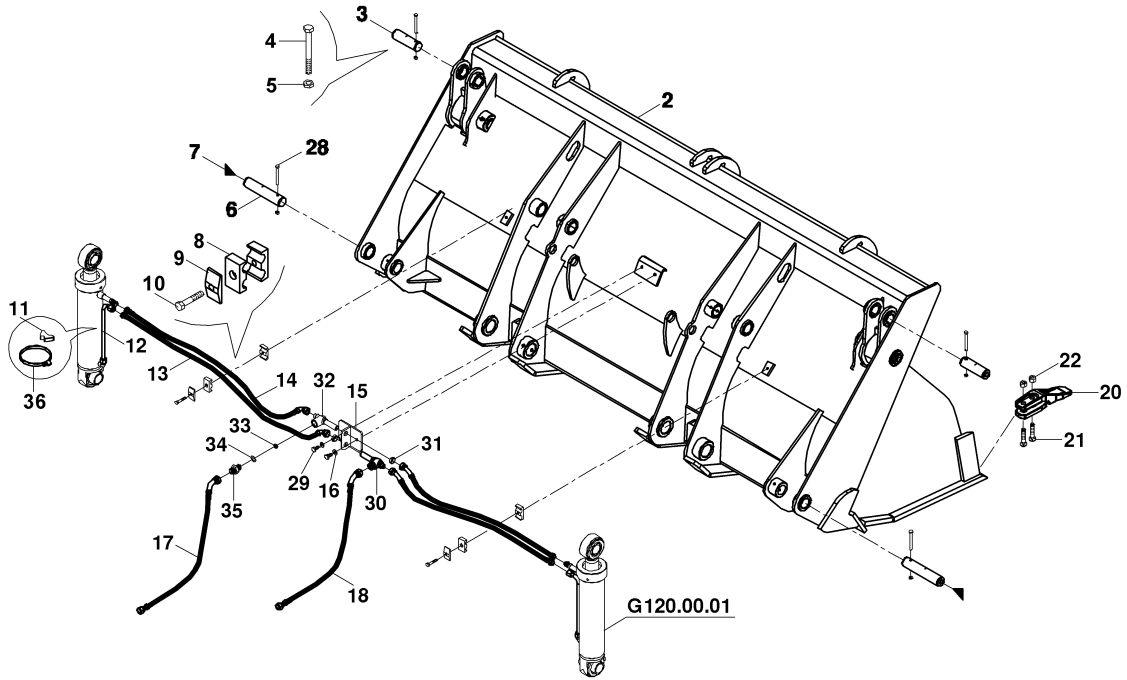
AÇILIR KEPÇE (1 m3) (OP)
MULTIPORPUSE BUCKET, LOADER (1 m3) (OP)



AÇILIR KEPÇE (1 m3) (OP)
MULTIPORPUSE BUCKET, LOADER (1 m3) (OP)

No	Parça No	Parça Adı	Adet	S.K.	Bas.S.N	Bit.S.N	Y.K.	Not
No	Part no	Description	Qty	SC	S/N from	S/N to	ICA	Note
0	01759004	AÇILIR KEPÇE, KOMPLE	1					
2	06010802	AÇILIR KEPÇE K.K.	1					
3	80102016	PİM	2					
4	N015890535	CIVATA	2					M8x75
5	N025910062	SOMUN	4					M8
6	80104096	PİM	2					
7	N081210020	NİPEL, GRES	6					
8	N073016003	KELEPÇE	4					
9	N073016002	KELEPÇE ÜST PARÇASI	2					
10	N010232186	CIVATA	2					M8x40
11	81400362	KELEPÇE ALTLIĞI	2					
12	45250813	BORU KOMPLESİ	2					
13	663112N098	HORTUM KOMPLESİ	2				C	
14	6631126098	HORTUM KOMPLESİ	2				C	
15	01992200	BRAKET	1					
16	N030810015	PUL	2					M10
17	66422MB092	HORTUM KOMPLESİ	1					
18	66422MB092	HORTUM KOMPLESİ	1					
19	06010803	SABİT KANAT BIÇAK MONTAJI	1					
20	81010605	TIRNAK	8					
21	N015610145	CIVATA	16					
22	N028660481	SOMUN	16					
23	06020711	SABİT KANAT K.K.	1					
24	06020701	HAREKETLİ KANAT K.K.	1					
25	80104098	PİM	2					
26	N010232282	CIVATA	2					M8x80
27	N025900062	SOMUN	2					M8
28	N010380493	CIVATA	2					M8x80
29	N010232438	CIVATA	2					M10x20
30	80630530	NİPEL	2					
31	80400632	SOMUN	2					
32	80630540	NİPEL	1					
33	02021325	KISICI	1					
34	N102001923	O-RİNG	1					
35	80624070	NİPEL	1					
36	N074080100	KELEPÇE	2					
37	02025205	ALT BIÇAK SACI	1					
38	N044331118	CIVATA	10					M14x40
39	N030100026	PUL	10					M14
40	N023580290	SOMUN	10					M14

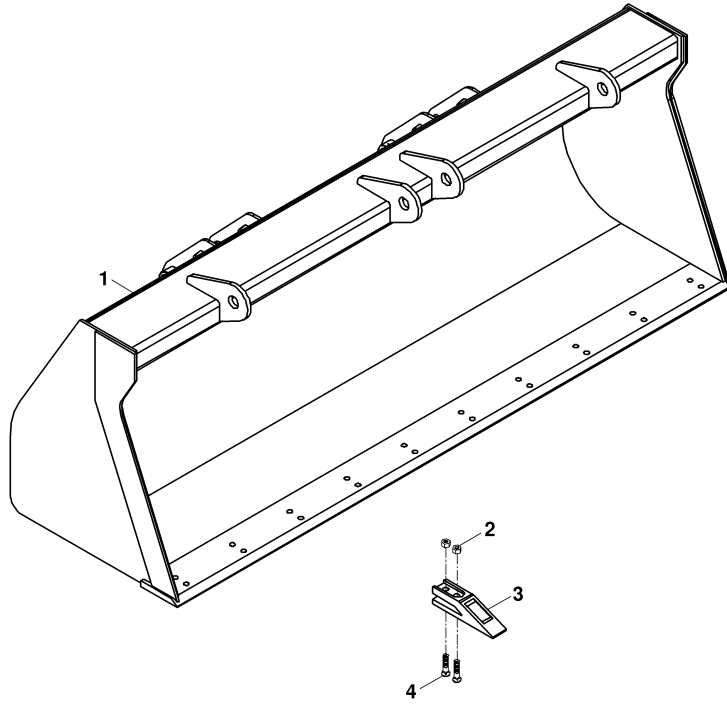
AÇILIR KEPÇE (1,2 m³) (OP)
MULTIPURPOSE BUCKET, LOADER (1,2 m³) (OP)



AÇILIR KEPÇE (1,2 m3) (OP)
MULTIPORPUSE BUCKET, LOADER (1,2 m3) (OP)

No	Parça No	Parça Adı	Adet	S.K.	Bas.S.N	Bit.S.N	Y.K.	Not
No	Part no	Description	Qty	SC	S/N from	S/N to	ICA	Note
0	01759005	AÇILIR KEPÇE, KOMPLE	1					
2	06010646	AÇILIR KEPÇE K.K.	1					
3	80102016	PİM	2					
4	N015890535	CIVATA	2					M8x75
5	N025910062	SOMUN	4					M8
6	80104096	PİM	2					
7	N081210020	NİPEL, GRES	4					
8	N073016003	KELEPÇE	4					
9	N073016002	KELEPÇE ÜST PARÇASI	2					
10	N010232186	CIVATA	2					M8x40
11	81400362	KELEPÇE ALTLIĞI	2					
12	45250813	BORU KOMPLESİ	2					
13	663112N098	HORTUM KOMPLESİ	2					
14	6631126098	HORTUM KOMPLESİ	2					
15	01992200	BRAKET	1					
16	N030810015	PUL	2					M10
17	66422MB092	HORTUM KOMPLESİ	1					
18	66422MB092	HORTUM KOMPLESİ	1					
19	06020706	SABİT KANAT-BIÇAK KOMPLESİ	1					
20	81010605	TIRNAK	8					
21	N015610145	CIVATA	16					
22	N028660481	SOMUN	16					
23	06020707	SABİT KANAT K.K.	1					
24	06020705	HAREKETLİ KANAT K.K.	1					
25	80104098	PİM	2					
26	N010232282	CIVATA	2					M8x80
27	N025910062	SOMUN	2					M8
28	N010380493	CIVATA	2					M8x80
29	N010232438	CIVATA	2					M10x20
30	80630530	NİPEL	2					
31	80400632	SOMUN	2					
32	80630540	NİPEL	1					
33	02021325	KISICI	1					
34	N102001923	O-RİNG	1					
35	80624070	NİPEL	1					
36	N074080100	KELEPÇE	2					
37	02021737	ÖN BIÇAK	1					
38	N044331118	CIVATA	10					M14x40
39	N030100026	PUL	10					M14
40	N023580290	SOMUN	10					M14

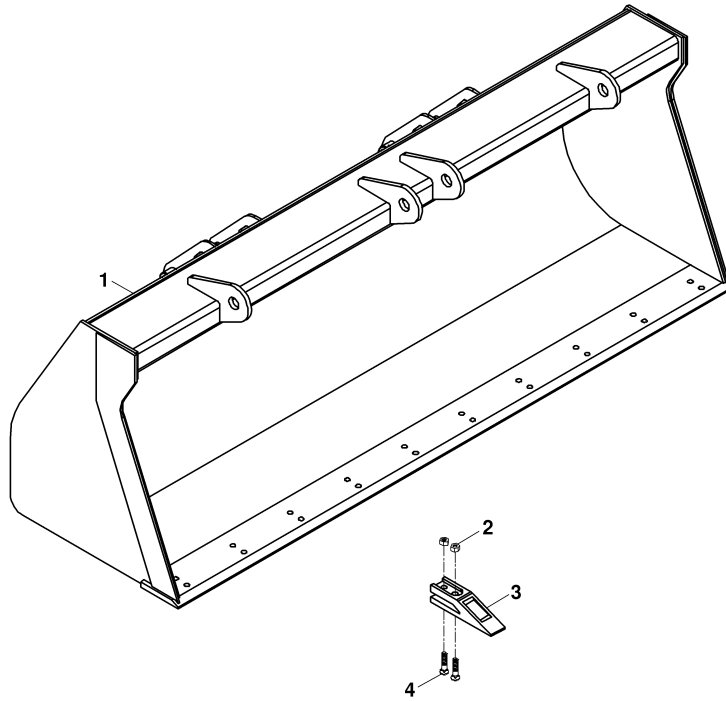
SABİT KEPÇE (1.2 m3) (OP)
SHOVEL (1.2 m3) (OP)



SABİT KEPÇE (1.2 m3) (OP)
SHOVEL (1.2 m3) (OP)

No	Parça No	Parça Adı	Adet	S.K.	Bas.S.N	Bit.S.N	Y.K.	Not
No	Part no	Description	Qty	SC	S/N from	S/N to	ICA	Note
0	01759000	SABİT KEPÇE MONTAJI	1					
1	06020253	SABİT KEPÇE	1					
2	N028660481	SOMUN	20					
3	81010605	TIRNAK	10					
4	N015610145	CIVATA	20					

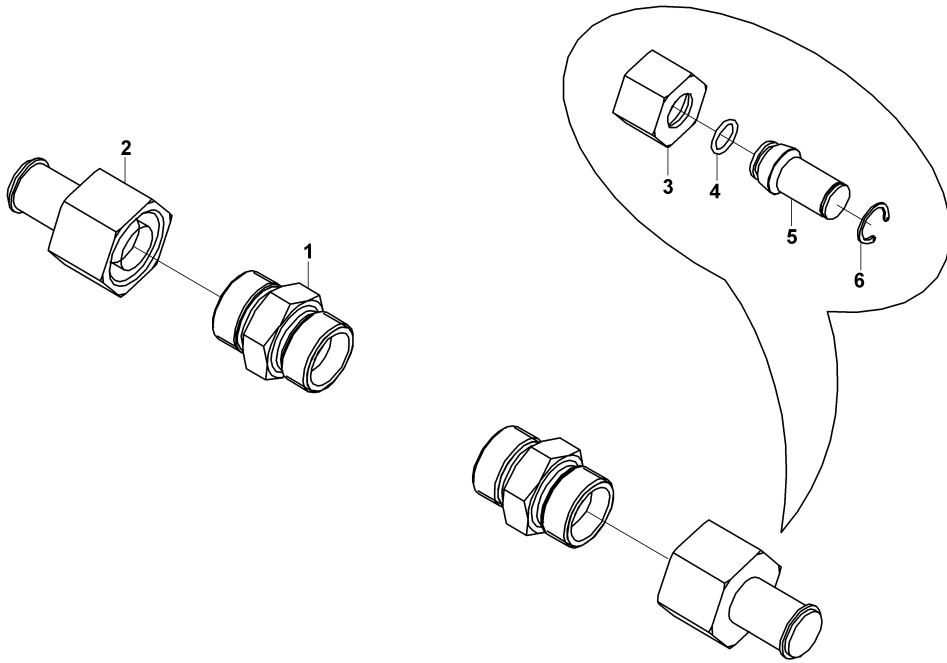
SABİT KEPÇE (1.5 m3) (OP)
SHOVEL (1.5 m3) (OP)



SABİT KEPÇE (1.5 m3) (OP)
SHOVEL (1.5 m3) (OP)

No	Parça No	Parça Adı	Adet	S.K.	Bas.S.N	Bit.S.N	Y.K.	Not
No	Part no	Description	Qty	SC	S/N from	S/N to	ICA	Note
0	01759001	SABİT KEPÇE MONTAJI	1					
1	06020298	SABİT KEPÇE	1					
2	N028660481	SOMUN	20					
3	81010605	TIRNAK	10					
4	N015610145	CIVATA	20					

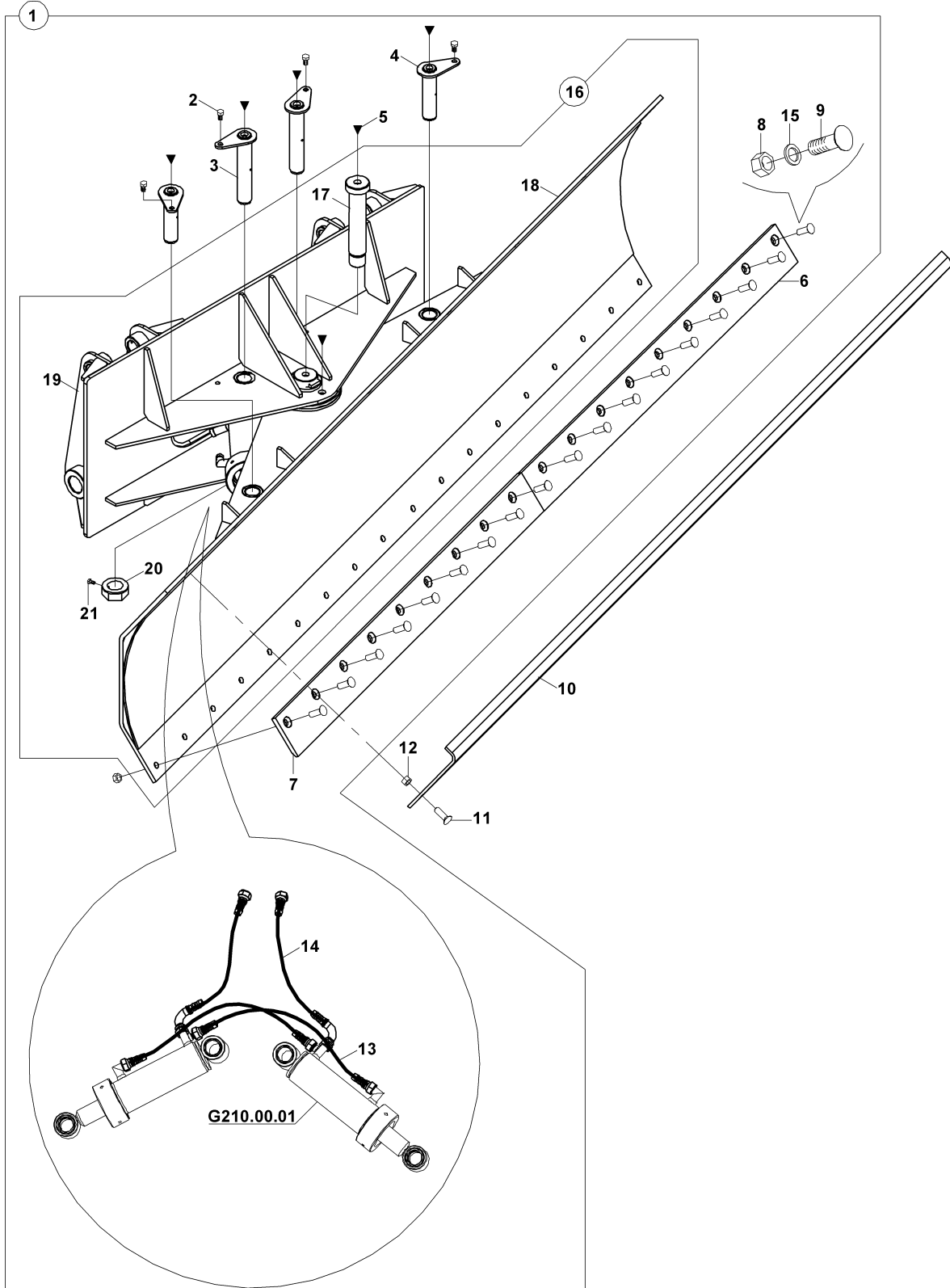
BAĞLANTI MONTAJ KİTİ, YÜKLEYİCİ (KEPÇESİZ) (OP)
CONNECTION MOUNTING, LOADER (NO BUCKET) (OP)



BAĞLANTI MONTAJ KİTİ, YÜKLEYİCİ (KEPÇESİZ) (OP)
CONNECTION MOUNTING, LOADER (NO BUCKET) (OP)

No	Parça No	Parça Adı	Adet	S.K.	Bas.S.N	Bit.S.N	Y.K.	Not
No	Part no	Description	Qty	SC	S/N from	S/N to	ICA	Note
1	N163450122	NİPEL	2					
2	01890224	KÖR TAPA	2					
3	N173570248	YÜKSÜKLÜ SOMUN	2					
4	N102001417	O-RİNG	2					
5	81405224	KÖR TAPA	2					
6	N050020027	SEGMAN	2					

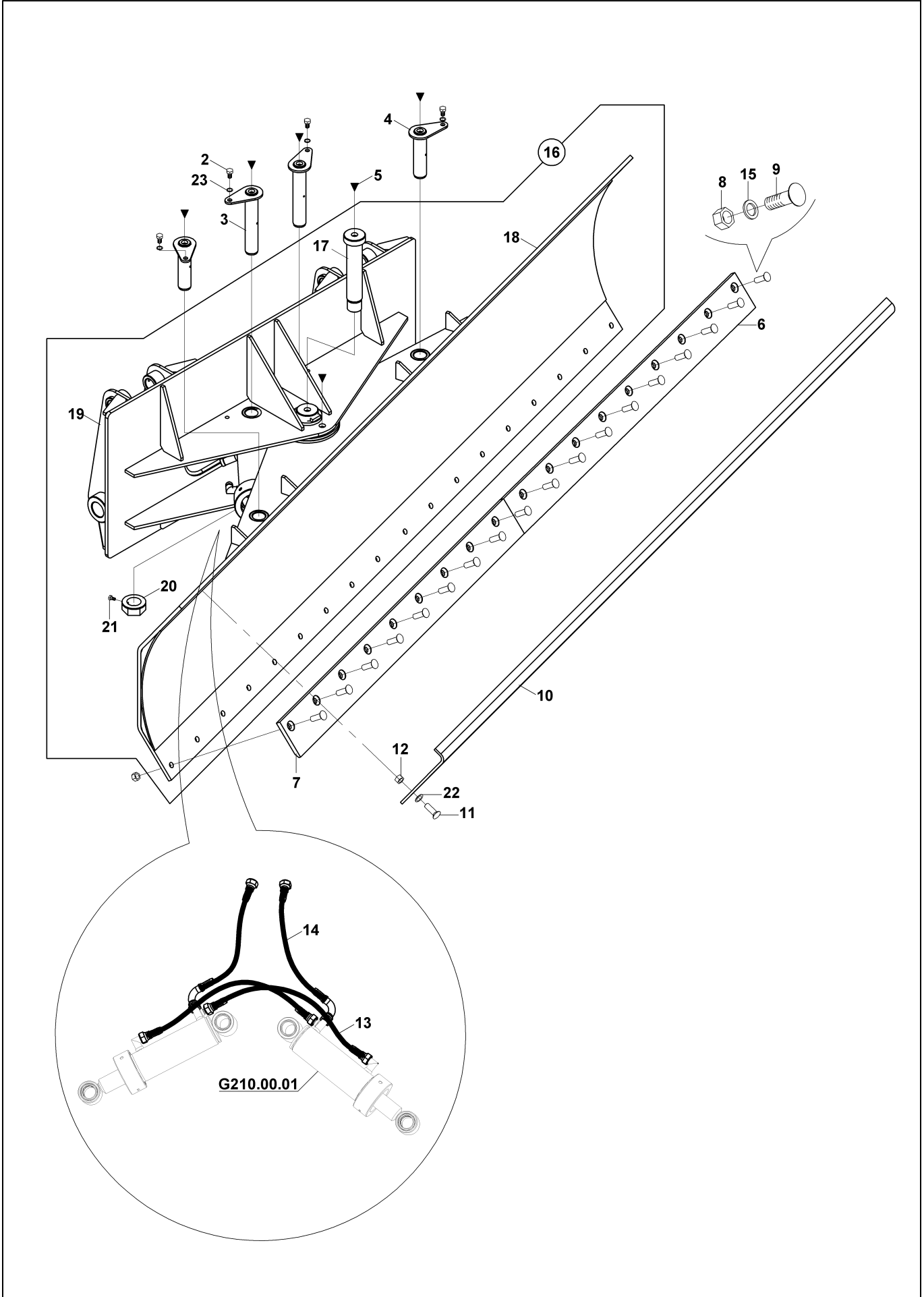
TESVIYE KÜREĞİ (716x2800) (OP)
LEVELLING BLADE (716x2800) (OP)



TESVİYE KÜREĞİ (716x2800) (OP)
LEVELLING BLADE (716x2800) (OP)

No	Parça No	Parça Adı	Description	Adet	S.K.	Bas.S.N	Bit.S.N	Y.K.	Not
No	Part no			Qty	SC	S/N from	S/N to	ICA	Note
0	06210520	TESVİYE KÜREĞİ ALT KOMPLESİ	LEVELLING BLADE SUB ASS'Y	1					
2	N010222798	CIVATA	BOLT	4					M12x20
3	81109230	PİM	PIN	2					
4	81109220	PİM	PIN	2					
5	N081210020	NİPEL, GRES	NIPPLE, GREASE	6					
6	02021076	ÖN BIÇAK, SOL	CUTTING EDGE, LH	1					
7	02021075	ÖN BIÇAK, SAĞ	CUTTING EDGE, RH	1					
8	N023570314	SOMUN	NUT	18	OP				M16
9	N044331274	CIVATA	BOLT	18	OP				M16x50
10	6631120060	HORTUM KOMPLESİ	HOSE ASS'Y	2					
11	664222B070	HORTUM KOMPLESİ	HOSE ASS'Y	2					
12	N031170029	PUL	WASHER	18					
13	06210522	TESVİYE KÜREĞİ	BLADE, LEVELLING	1					
14	81109235	PİM	PIN	1					
15	06220502	BIÇAK K.K.	BLADE W.A.	1					
16	06220510	ARKALIK KOMPLESİ, TESVİYE KÜREĞİ	BACK SUPPORT ASS'Y, LEVELLING BLADE	1					
17	80403000	SOMUN	NUT	1					
18	N010232078	CIVATA	BOLT	1					M8x16
19	N030810001	PUL	WASHER	4					

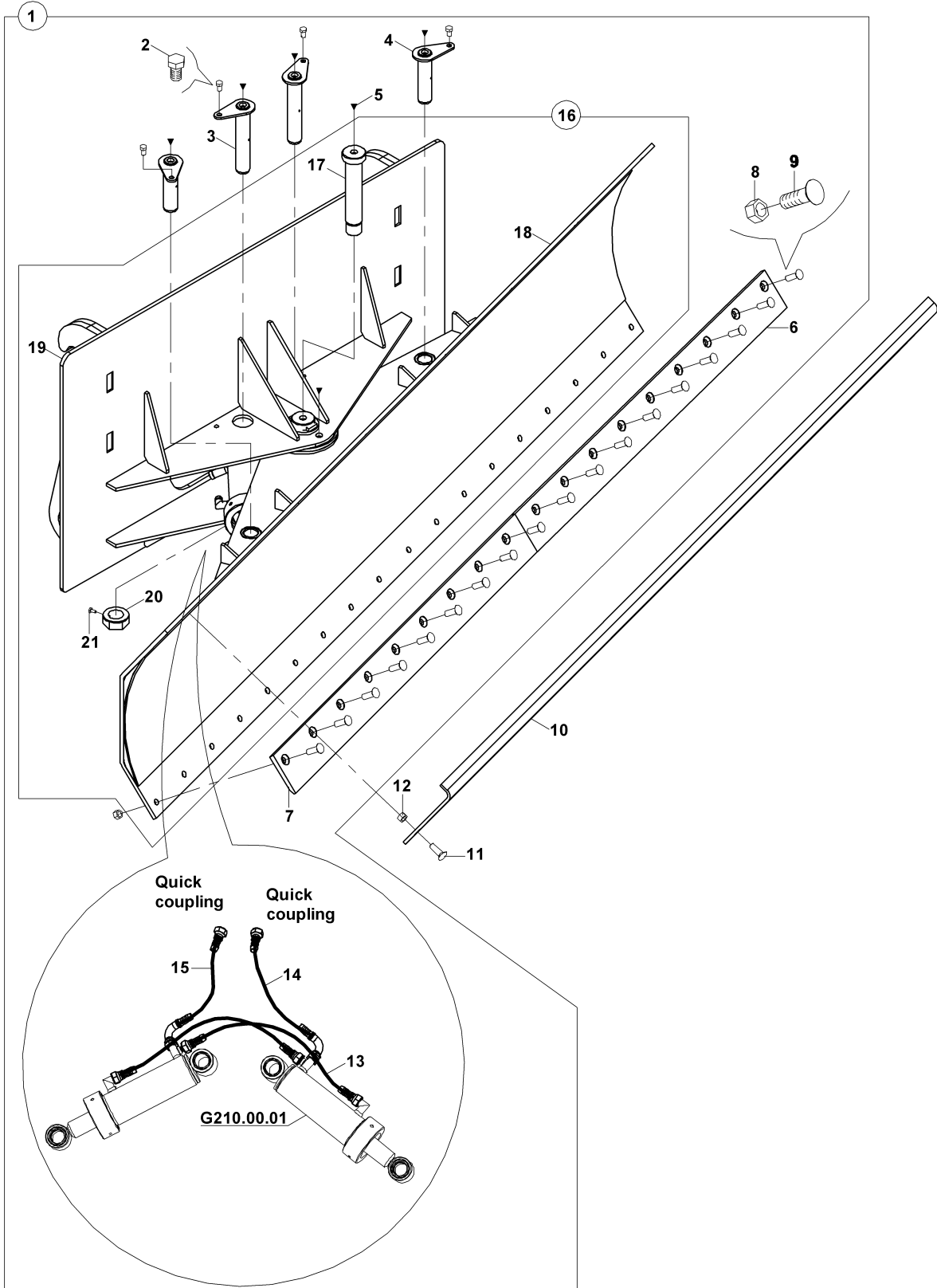
TESVİYE KÜREĞİ (900x2800) (OP)
LEVELLING BLADE (900x2800) (OP)



TESVİYE KÜREĞİ (900x2800) (OP)
LEVELLING BLADE (900x2800) (OP)

No	Parça No	Parça Adı	Description	Adet	S.K.	Bas.S.N	Bit.S.N	Y.K.	Not
No	Part no			Qty	SC	S/N from	S/N to	ICA	Note
0	06210520	TESVİYE KÜREĞİ ALT KOMPLESİ	LEVELLING BLADE SUB ASS'Y	1					
2	N010222798	CIVATA	BOLT	4					M12x20
3	81109230	PİM	PIN	2					
4	81109220	PİM	PIN	2					
5	N081210020	NİPEL, GRES	NIPPLE, GREASE	6					
6	02021076	ÖN BIÇAK, SOL	CUTTING EDGE, LH	1					
7	02021075	ÖN BIÇAK, SAĞ	CUTTING EDGE, RH	1					
8	N023570314	SOMUN	NUT	18	OP				M16
9	N044321274	CIVATA	BOLT	18					M16x50
10	02010997	KÜREK SACI	PLATE, PUSHER	1	OP				
11	N044331274	CIVATA	BOLT	8	OP				M16x50
12	N023570314	SOMUN	NUT	8	OP				M16
13	6631120060	HORTUM KOMPLESİ	HOSE ASS'Y	2					
14	664222B070	HORTUM KOMPLESİ	HOSE ASS'Y	2					
15	N031170029	PUL	WASHER	18					
16	06210522	TESVİYE KÜREĞİ	BLADE, LEVELLING	1					
17	81109235	PİM	PIN	1					
18	06220502	BIÇAK K.K.	BLADE W.A.	1					
19	06220510	ARKALIK KOMPLESİ, TESVİYE KÜREĞİ	BACK SUPPORT ASS'Y, LEVELLING BLADE	1					
20	80403000	SOMUN	NUT	1					
21	N010232078	CIVATA	BOLT	1					M8x16
22	N031170029	PUL	WASHER	8					
23	N030810001	PUL	WASHER	4					

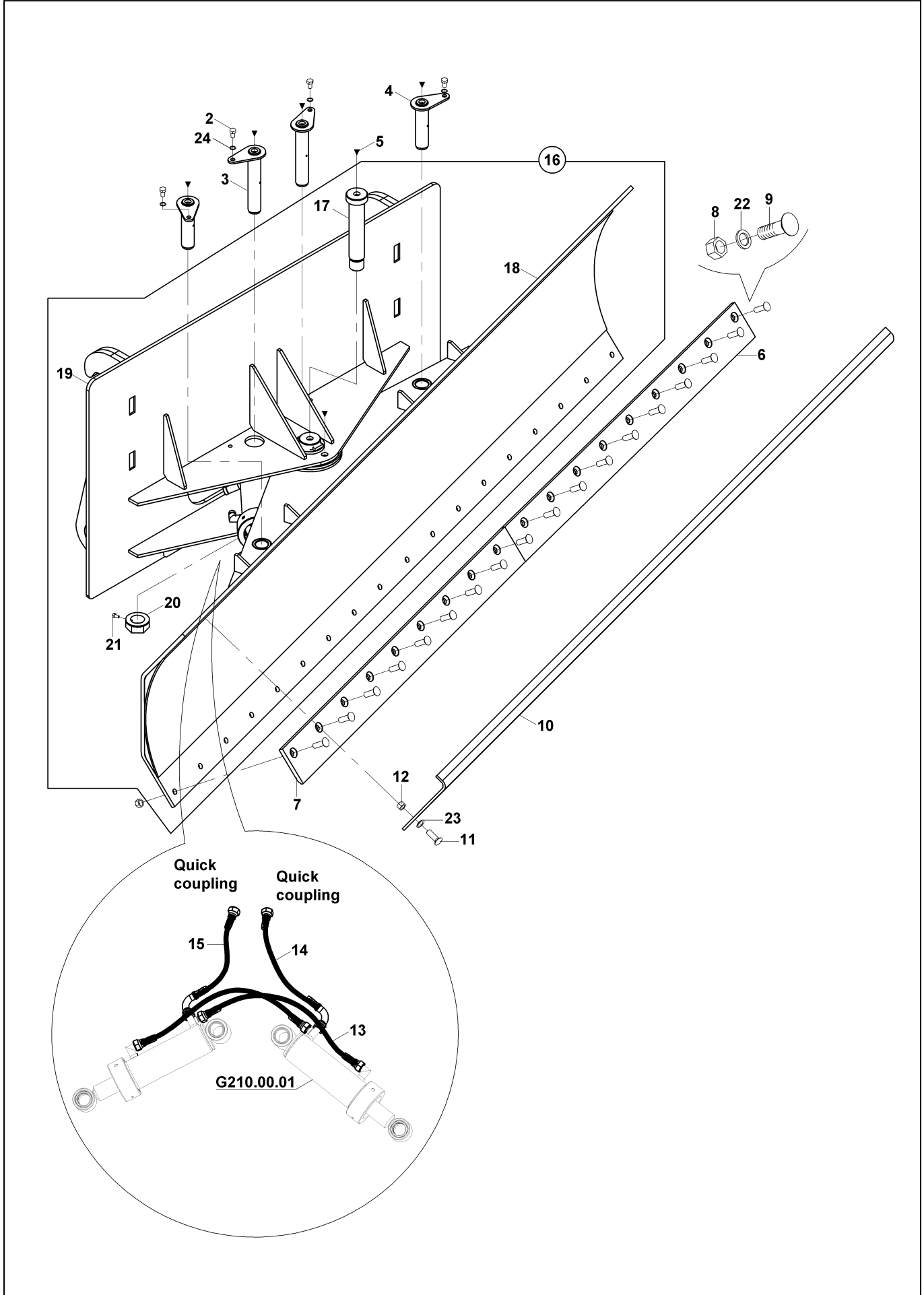
TESVİYE KÜREĞİ (ÇABUK SÖK TAKLI, 716x 2800) (OP)
LEVELLING BLADE WITH QUICK COUPLER (716x2800)(OP)



TESVİYE KÜREĞİ (ÇABUK SÖK TAKLI, 716x 2800) (OP)
LEVELLING BLADE WITH QUICK COUPLER (716x2800)(OP)

No	Parça No	Parça Adı	Description	Adet	S.K.	Bas.S.N	Bit.S.N	Y.K.	Not
No	Part no			Qty	SC	S/N from	S/N to	ICA	Note
0	06210530	TESVİYE KÜREĞİ KOMPLESİ	LEVELLING BLADEASS'Y	1					
2	N010232798	CIVATA	BOLT	4					M12x20
3	81109230	PİM	PIN	2					
4	81109220	PİM	PIN	2					
5	N081210020	NİPEL, GRES	NIPPLE, GREASE	6					
6	02021076	ÖN BIÇAK, SOL	CUTTING EDGE, LH	1					
7	02021075	ÖN BIÇAK, SAĞ	CUTTING EDGE, RH	1					
8	N023580314	SOMUN	NUT	18					M16
9	N044331274	CIVATA	BOLT	18	OP				M16x50
10	N030810002	PUL	WASHER	18					
11	N030810001	PUL	WASHER	4					
12	6511120060	HORTUM KOMPLESİ	HOSE ASS'Y	2					
13	6642225055	HORTUM KOMPLESİ	HOSE ASS'Y	1					
14	6642223055	HORTUM KOMPLESİ	HOSE ASS'Y	1					
15	06210532	TESVİYE KÜREĞİ	BLADE, LEVELLING	1					
16	81109235	PİM	PIN	1					
17	06220502	BIÇAK K.K.	BLADE W.A.	1					
18	06220530	ARKALIK KOMPLESİ, TESVİYE KÜREĞİ	BACK SUPPORT ASS'Y, LEVELLING BLADE	1					
19	80403000	SOMUN	NUT	1					
20	N010232078	CIVATA	BOLT	1					M8x16

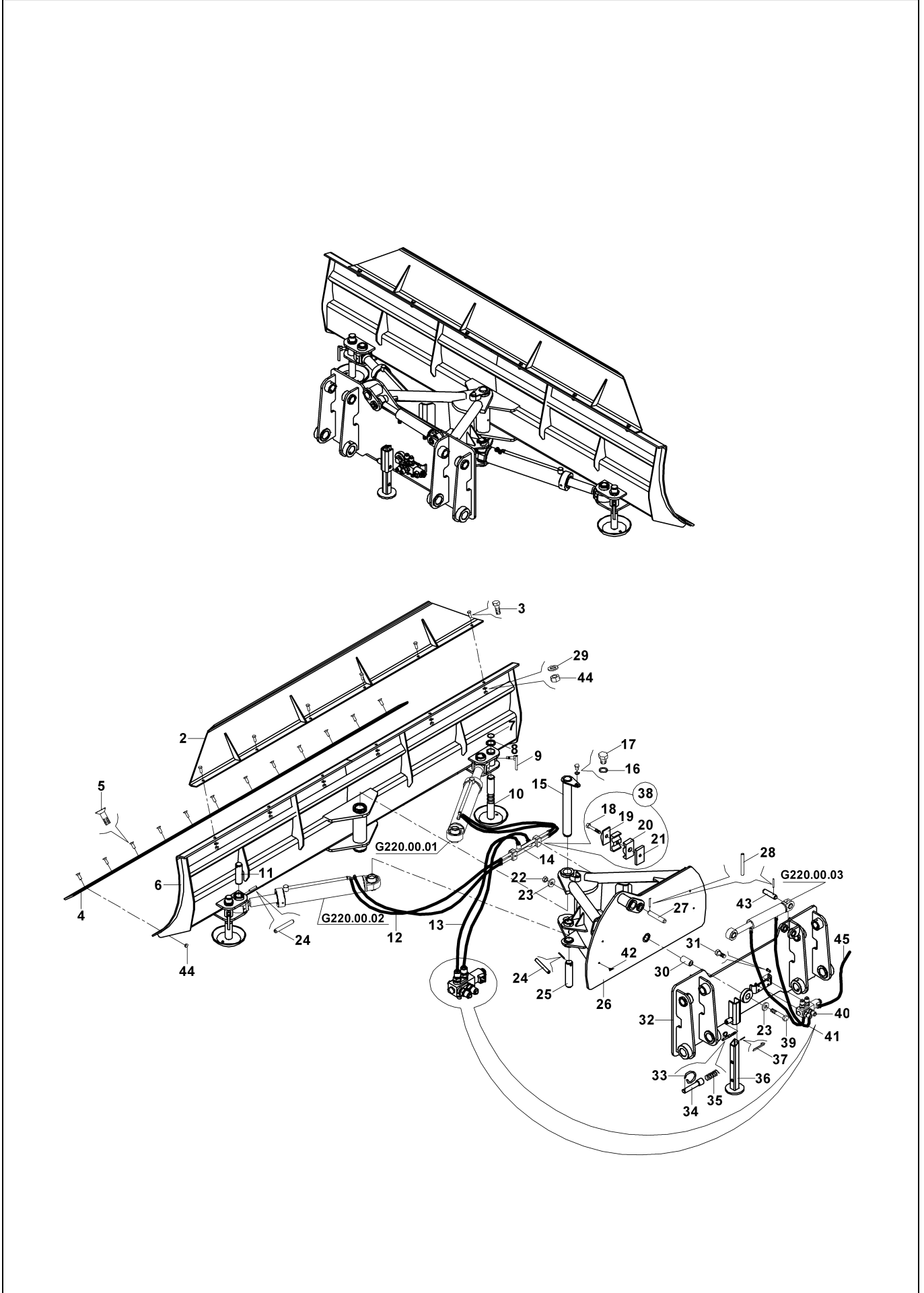
TESVİYE KÜREĞİ (ÇABUK SÖK TAKLI, 900x 2800) (OP)
LEVELLING BLADE WITH QUICK COUPLER(900x 2800)(OP)



TESVİYE KÜREĞİ (ÇABUK SÖK TAKLI, 900x 2800) (OP)
LEVELLING BLADE WITH QUICK COUPLER(900x 2800)(OP)

No	Parça No	Parça Adı	Description	Adet	S.K.	Bas.S.N	Bit.S.N	Y.K.	Not
No	Part no			Qty	SC	S/N from	S/N to	ICA	Note
0	06210530	TESVİYE KÜREĞİ KOMPLESİ	LEVELLING BLADEASS'Y	1					
2	N010232798	CIVATA	BOLT	4					M12x20
3	81109230	PİM	PIN	2					
4	81109220	PİM	PIN	2					
5	N081210020	NİPEL, GRES	NIPPLE, GREASE	6					
6	02021076	ÖN BIÇAK, SOL	CUTTING EDGE, LH	1					
7	02021075	ÖN BIÇAK, SAĞ	CUTTING EDGE, RH	1					
8	N023580314	SOMUN	NUT	18					M16
9	N044321274	CIVATA	BOLT	18					M16x50
10	02010997	KÜREK SACI	PLATE, PUSHER	1	OP				
11	N044331274	CIVATA	BOLT	8	OP				M16x50
12	N023570314	SOMUN	NUT	8	OP				M16
13	6511120060	HORTUM KOMPLESİ	HOSE ASS'Y	2					
14	6642225055	HORTUM KOMPLESİ	HOSE ASS'Y	1					
15	6642223055	HORTUM KOMPLESİ	HOSE ASS'Y	1					
16	06210532	TESVİYE KÜREĞİ	BLADE, LEVELLING	1					
17	81109235	PİM	PIN	1					
18	06220502	BIÇAK K.K.	BLADE W.A.	1					
19	06220530	ARKALIK KOMPLESİ, TESVİYE KÜREĞİ	BACK SUPPORT ASS'Y, LEVELLING BLADE	1					
20	80403000	SOMUN	NUT	1					
21	N010232078	CIVATA	BOLT	1					M8x16
22	N030810002	PUL	WASHER	18					
23	N030810002	PUL	WASHER	8					
24	N030810001	PUL	WASHER	4					

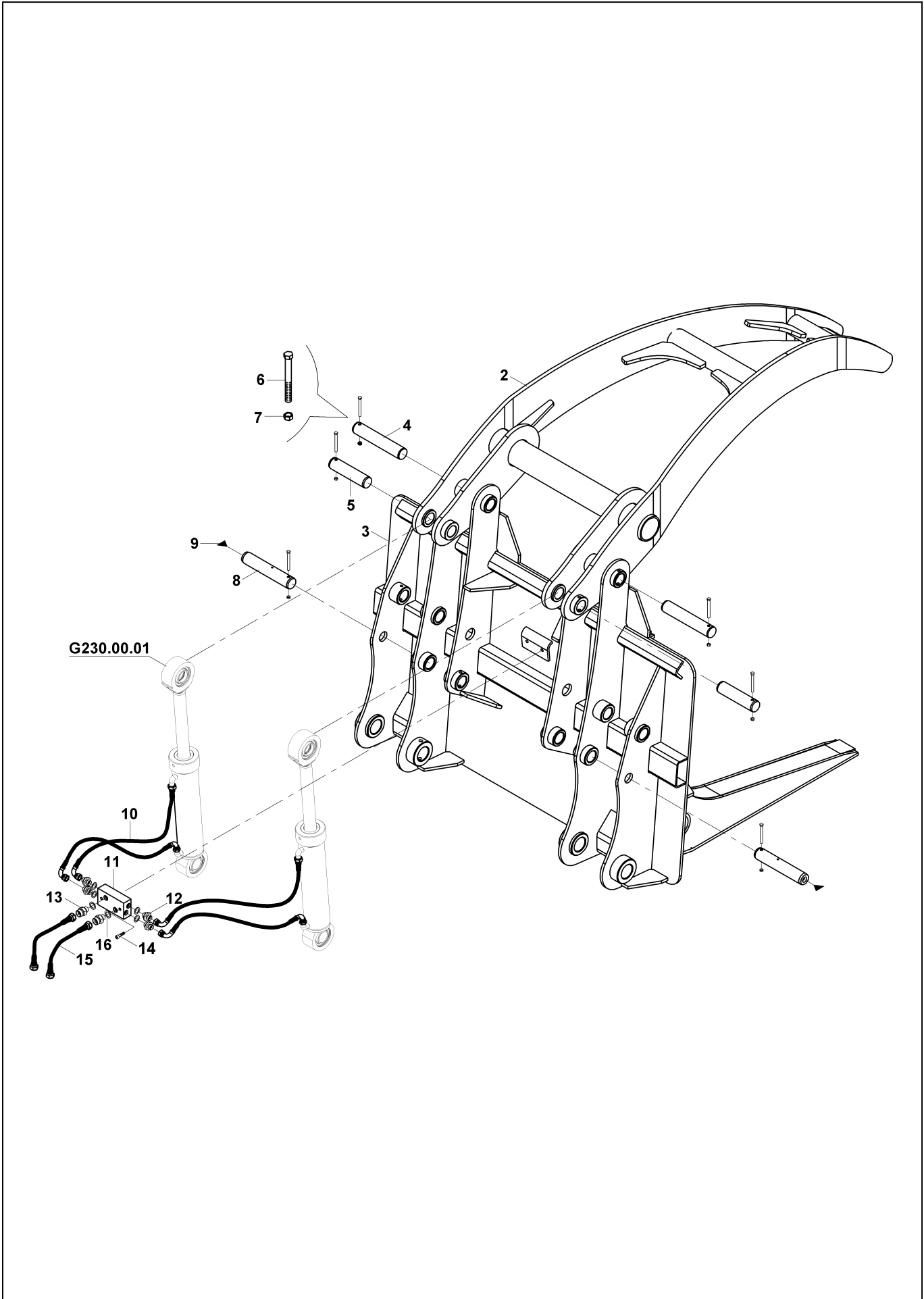
TESVİYE KÜREĞİ (ÇİFT EKSENLİ) (OP)
 LEVELLING BLADE (DOUBLE AXIS) (OP)



TESVİYE KÜREĞİ (ÇİFT EKSENLİ) (OP)
LEVELLING BLADE (DOUBLE AXIS) (OP)

No	Parça No	Parça Adı	Adet	S.K.	Bas.S.N	Bit.S.N	Y.K.	Not
No	Part no	Description	Qty	SC	S/N from	S/N to	ICA	Note
0	06210600	TESVİYE KÜREĞİ KOMPLESİ	1					
2	06290630	ÜST SAC K.K., BIÇAK	1					
3	N010222846	CIVATA	6					M12x30
4	02020665	ÖN BIÇAK	2					
5	N011800686	CIVATA	12					M12x30
6	06220600	BIÇAK K.K.	1					
7	N050020076	SEGMAN	2					
8	80500320	PUL	2					
9	06290610	AYAR KOLU	2					
10	06290600	DESTEK K.K.	2					
11	80102070	PİM	2					
12	6631120060	HORTUM KOMPLESİ	4					
13	664222H080	HORTUM KOMPLESİ	2					
14	45200275	TESİSAT BORUSU K.K.	2					
15	81101120	PİM K.K.	1					
16	N032500023	PUL	1					
17	N010223506	CIVATA	1					M16x20
18	N010370266	CIVATA	1					M6x35
19	N073016002	KELEPÇE ÜST PARÇASI	1					
20	N073016003	KELEPÇE	2					
21	N073016001	KELEPÇE ALTLIĞI	1					
22	N025900242	SOMUN	1					M20
23	80500068	PUL	2					
24	N156451938	PİM	4					
25	80102075	PİM	2					
26	06220620	BAĞLANTI ŞASİSİ K.K.	1					
27	80102153	PİM	1					
28	N156451678	PİM	2					
29	N030810001	PUL	6					M12
30	80201600	BURÇ	1					
31	N010222114	CIVATA	4					M8x20
32	06220610	ARKALIK KOMPLESİ	1					
33	02010789	HALKA	1					
34	80110020	PİM	1					
35	80707010	YAY	1					
36	06290620	DESTEK K.K.	1					
37	N061002525	GUPİLYA	1					
38	N073016000	HORTUM KELEPÇE KOMPLESİ	2					
39	N010371862	CIVATA	1					M20x110
40	F1888000	SOLENOİD VALF	1					
41	6631121040	HORTUM KOMPLESİ	2					
42	N081210020	NİPEL, GRES	4					
43	80102140	PİM	1					
44	N023570242	SOMUN	18					M12

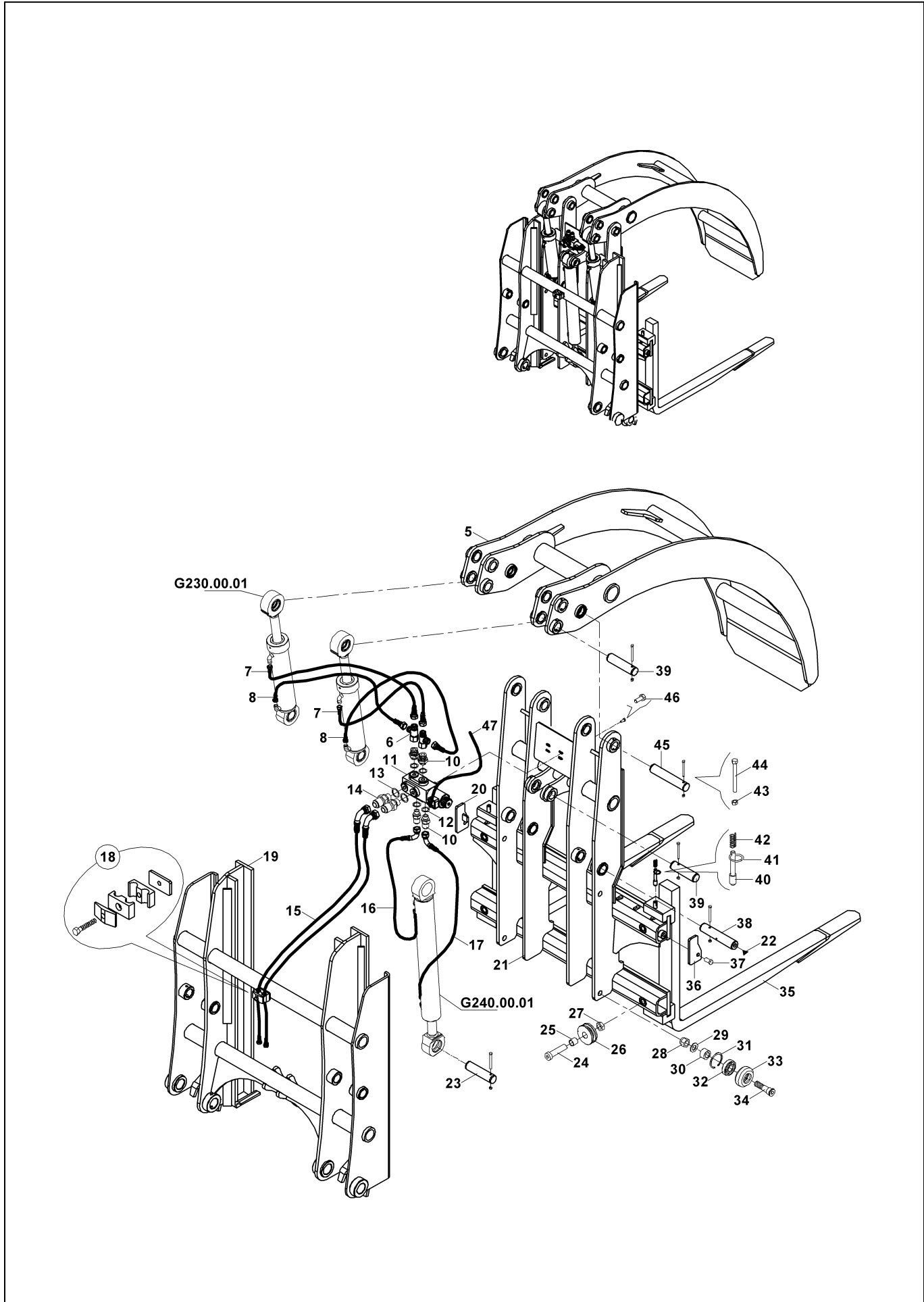
TOMRUK YÜKLEYİCİ (2+1 TIRNAKLI) (OP)
LOG GRAPPLE (2+1 CLAMP) (OP)



TOMRUK YÜKLEYİCİ (2+1 TIRNAKLI) (OP)
LOG GRAPPLE (2+1 CLAMP) (OP)

No	Parça No	Parça Adı	Description	Adet	S.K.	Bas.S.N	Bit.S.N	Y.K.	Not
No	Part no			Qty	SC	S/N from	S/N to	ICA	Note
0	06310921	TOMRUK YÜKLEYİCİ KOMPLESİ	LOG GRAPPLE ASS'Y	1					
2	06320925	TUTMA KOLU, TOMRUK	GRAPPLE, LOG	1					
3	06320921	TOMRUK YÜKLEYİCİ KOMPLESİ	LOG GRAPPLE ASS'Y	1					
4	80101220	PİM	PIN	2					
5	80101215	PİM	PIN	2					
6	N010380493	CIVATA	BOLT	6					M8x80
7	N023580182	SOMUN	NUT	6					M8
8	80104118	PİM	PIN	2					
9	N081210020	NİPEL, GRES	NIPPLE, GREASE	2					
10	6631126041	HORTUM KOMPLESİ	HOSE ASS'Y	4					
11	81013330	NİPEL	ADAPTER ASSY.	1					
12	N163430849	NİPEL	ADAPTER	4					
13	N163430940	NİPEL	ADAPTOR	2					
14	N015870842	CIVATA	BOLT	2					M10x40
15	664222A065	HORTUM KOMPLESİ	HOSE ASS'Y	2					
16	N030000015	O-RİNGLİ PUL	WASHER	6					

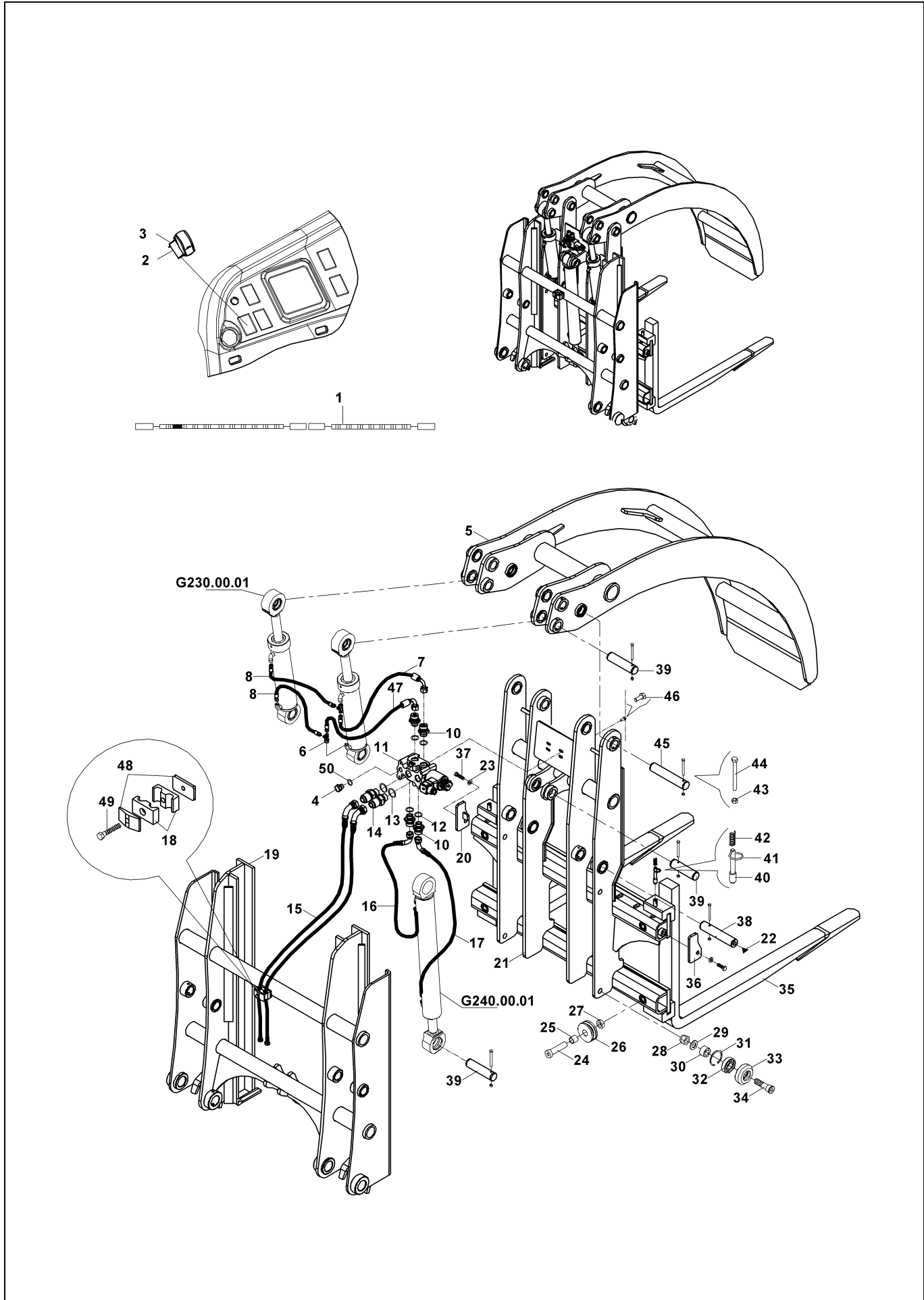
TOMRUK YÜKLEYİCİ, (HAREKETLİ, Ø200mm) (OP)
LOG GRAPPLE, (WITH VERTICAL MOVEMENT Ø200mm) (OP)



TOMRUK YÜKLEYİCİ, (HAREKETLİ, Ø200mm) (OP)
LOG GRAPPLE, (WITH VERTICAL MOVEMENT Ø200mm) (OP)

No	Parça No	Parça Adı	Adet	S.K.	Bas.S.N	Bit.S.N	Y.K.	Not
No	Part no	Description	Qty	SC	S/N from	S/N to	ICA	Note
0	06311607	TOMRUK YÜKLEYİCİ KOMPLESİ, Ø200mm	1					
5	06321622	TUTMA KOLU, TOMRUK	1					
6	N163790038	T ADAPTÖR	2					
7	6511121060	HORTUM KOMPLESİ	2					
8	6511121055	HORTUM KOMPLESİ	2					
10	N163430849	NİPEL	2					
11	F1888000	SOLENOİD VALF	1					
12	N030218242	PUL	4					
13	N030230241	PUL	2					
14	N163430360	NİPEL	2					
15	652222B215	HORTUM KOMPLESİ	2					
16	6511124045	HORTUM KOMPLESİ	1					
17	6511121075	HORTUM KOMPLESİ	1					
18	N073020021	KELEPÇE	1					
19	06321616	ARKALIK KOMPLESİ	1					
20	06390056	TAHDİT SACI	1					
21	06321605	ŞASI K.K., TOMRUK YÜKLEYİCİ	1					
22	N163790038	T ADAPTÖR	2					
23	80102074	PİM	1					
24	81300400	CIVATA	4					
25	80201016	BURÇ	4					
26	81014700	MAKARA	4					
27	N024050362	SOMUN	4					
28	N026000290	SOMUN	4					
29	N030800005	PUL	4					
30	80201640	YÜKSÜK	4					
31	N050220203	SEGMAN	4					
32	N090201310	RULMAN	4					
33	81010708	BİLEZİK	4					
34	81014430	MİL, MAKARA	4					
35	09900350	FORKLİFT ÇATALI	2					
36	06390055	TAHDİT SACI	1					
37	N010223554	CIVATA	2					
38	80102077	PİM	2					
39	80101210	PİM	3					
40	80110015	PİM	2					
41	02010789	HALKA	2					
42	80707010	YAY	2					
43	N023580182	SOMUN	8					
44	N010380494	CIVATA	8					
45	80101220	PİM	2					
46	N010222114	CIVATA	4					

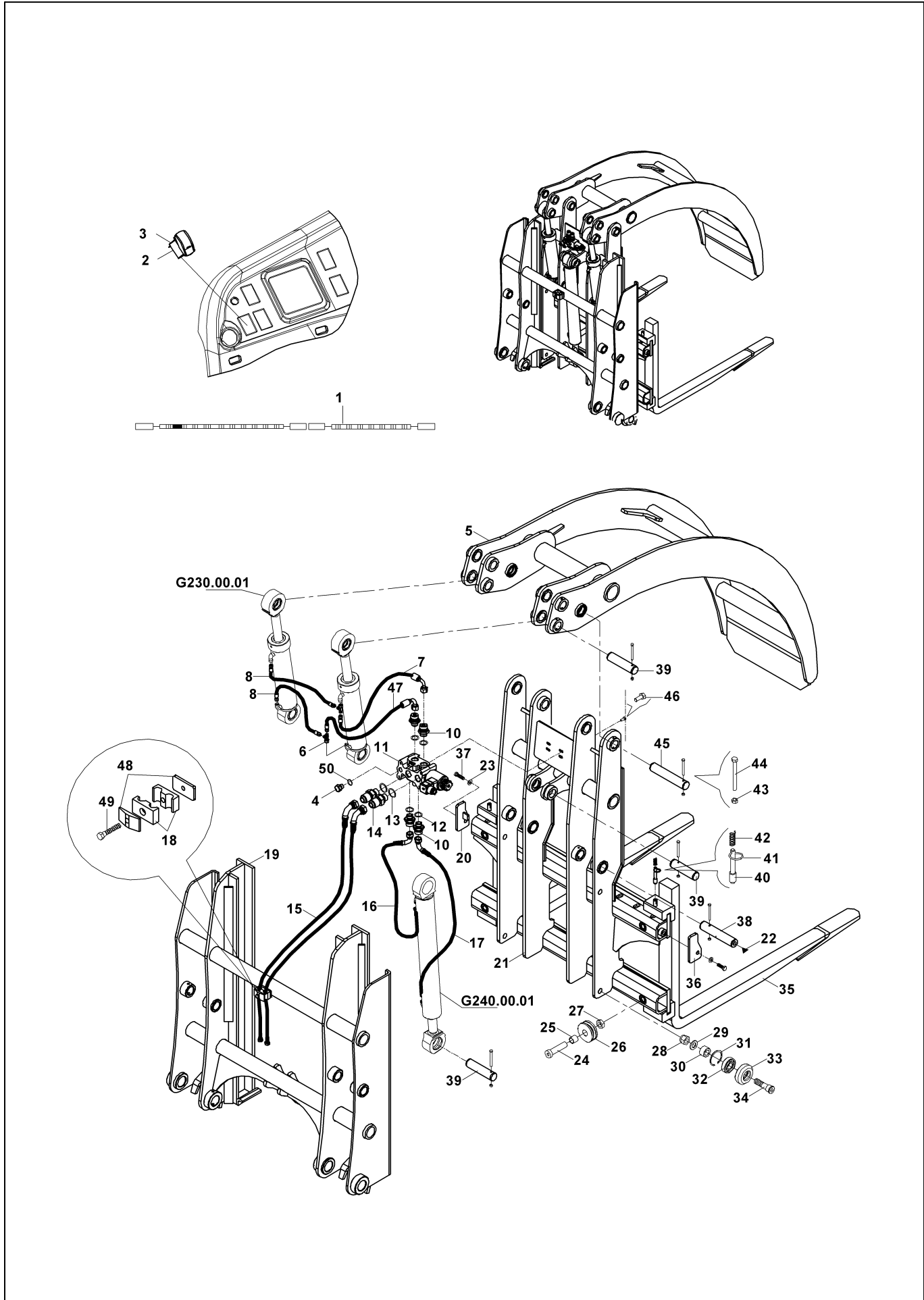
TOMRUK YÜKLEYİCİ, (HAREKETLİ, Ø500mm) LOG GRAPPLE, (WITH VERTICAL MOVEMENT Ø500mm)



TOMRUK YÜKLEYİCİ, (HAREKETLİ, Ø500mm)
LOG GRAPPLE, (WITH VERTICAL MOVEMENT Ø500mm)

No	Parça No	Parça Adı	Adet	S.K.	Bas.S.N	Bit.S.N	Y.K.	Not
No	Part no	Description	Qty	SC	S/N from	S/N to	ICA	Note
0	06311606	TOMRUK YÜKLEYİCİ KOMPLESİ, Ø500mm	1	OP				
1	50107002	KABLO	1					
2	52031090	DÜĞME, SARSINTISIZ YOL YÜRÜYÜŞ	1					
3	52020000	ANAHTAR	1	OP				
4	81404060	TAPA	1					
5	06321621	TUTMA KOLU, TOMRUK	1					
6	N163790038	T ADAPTÖR	2					
7	6511121060	HORTUM KOMPLESİ	1					
8	6511121050	HORTUM KOMPLESİ	2					
10	N163430849	NİPEL	4					
11	F1888011	SOLENOİD VALF KOMPLESİ	1					
12	N030000015	O-RİNGLİ PUL	4					
13	N030000015	O-RİNGLİ PUL	2					
14	N163430940	NİPEL	2					
15	66422MB275	HORTUM KOMPLESİ	2					
16	6511124045	HORTUM KOMPLESİ	1					
17	6511121095	HORTUM KOMPLESİ	1					
18	N073020021	KELEPÇE	1					
19	06321616	ARKALIK KOMPLESİ	1					
20	06390056	TAHDİT SACI	1					
21	06321605	ŞASI K.K., TOMRUK YÜKLEYİCİ	1					
22	N081210020	NİPEL, GRES	8					
23	N030810002	PUL	2					
24	81300400	CIVATA	4					M24x100
25	80201016	BURÇ	4					
26	81014700	MAKARA	4					
27	N024050362	SOMUN	4					M24
28	N026000290	SOMUN	4					M24
29	N030810006	PUL	4					
30	80201640	YÜKSÜK	4					
31	N050220203	SEGMAN	4					
32	N090201310	RULMAN	4					
33	81010708	BİLEZİK	4					
34	81014430	MİL, MAKARA	4					
35	09900350	FORKLİFT ÇATALI	2					
36	06390055	TAHDİT SACI	1					
37	N010223554	CIVATA	2					M16x30
38	80102077	PİM	2					
39	80101210	PİM	4					
40	80110015	PİM	2					
41	02010789	HALKA	2					
42	80707010	YAY	2					
43	N025910062	SOMUN	8					M8
44	N010380493	CIVATA	8					M8x80
45	80101225	PİM	2					

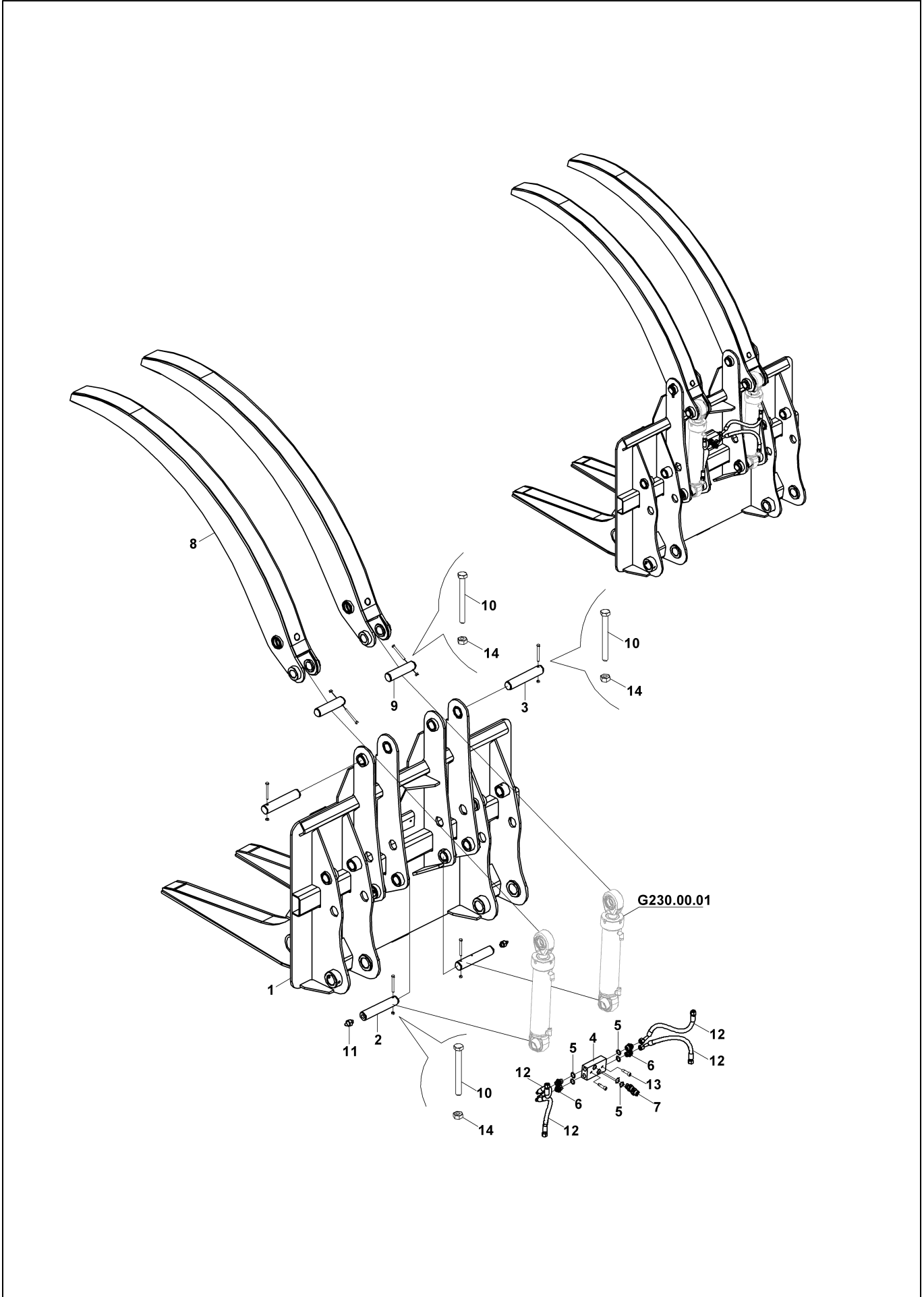
TOMRUK YÜKLEYİCİ, (HAREKETLİ, Ø500mm) LOG GRAPPLE, (WITH VERTICAL MOVEMENT Ø500mm)



TOMRUK YÜKLEYİCİ, (HAREKETLİ, Ø500mm)
LOG GRAPPLE, (WITH VERTICAL MOVEMENT Ø500mm)

No	Parça No	Parça Adı	Adet	S.K.	Bas.S.N	Bit.S.N	Y.K.	Not
No	Part no	Description	Qty	SC	S/N from	S/N to	ICA	Note
46	N010222114	CIVATA	4					M8x20
47	6631121075	HORTUM KOMPLESİ	1					
48	N073020002	KELEPÇE ÜST PARÇASI	1					
49	N010380410	CIVATA	1					M8x50
50	N030000004	O-RİNGLİ PUL	1					

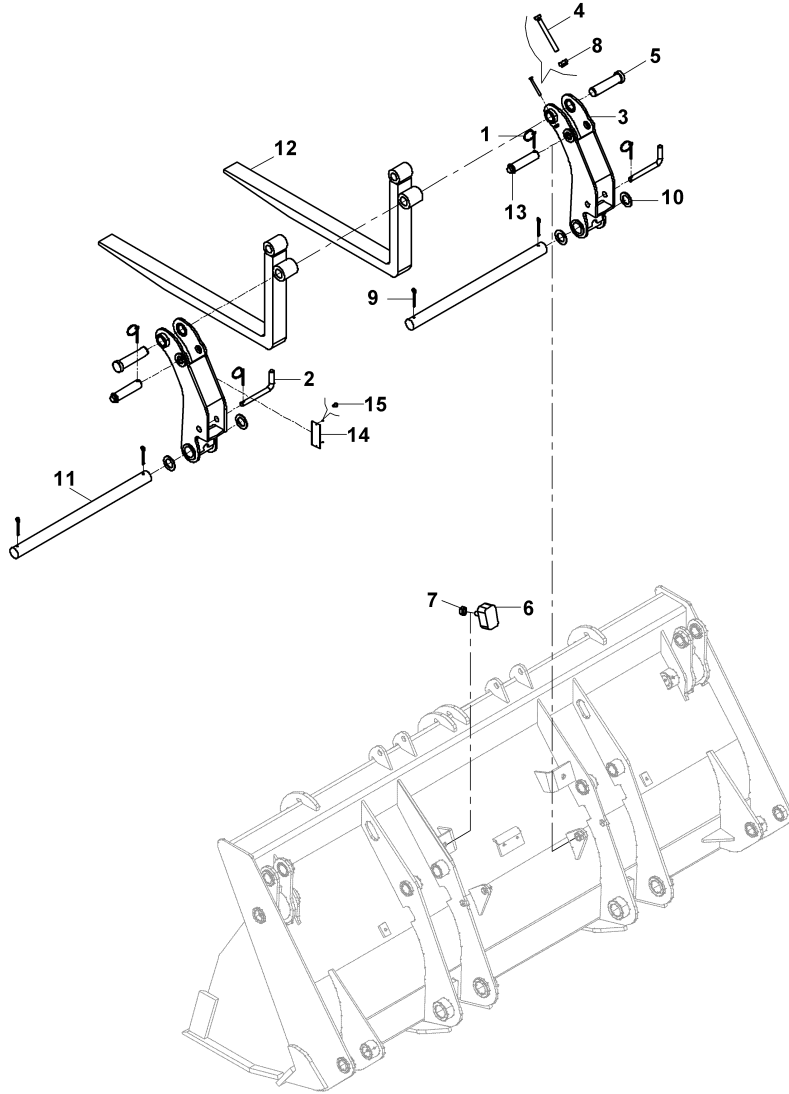
TOMRUK YÜKLEYİCİ (3+2 TIRNAKLI) LOG GRAPPLE (3+2 CLAMP)



**TOMRUK YÜKLEYİCİ (3+2 TIRNAKLI)
LOG GRAPPLE (3+2 CLAMP)**

No	Parça No	Parça Adı	Description	Adet	S.K.	Bas.S.N	Bit.S.N	Y.K.	Not
No	Part no			Qty	SC	S/N from	S/N to	ICA	Note
0	06310510	TOMRUK YÜKLEYİCİ KOMPLESİ (3+2)	LOG GRAPPLE ASS'Y (3+2)	1					
1	06320815	TOMRUK YÜKLEYİCİ K.M.	LOG GRAPPLE W.A.	1					
2	80104118	PİM	PIN	2					
3	80101220	PİM	PIN	2					
4	81013330	NİPEL	ADAPTER ASSY.	1					
5	N030000015	O-RİNGLİ PUL	WASHER	6					
6	N163430849	NİPEL	ADAPTER	4					
7	N163430940	NİPEL	ADAPTOR	2					
8	06390026	TIRNAK	TOOTH	2					
9	80101210	PİM	PIN	2					
10	N010232282	CIVATA	BOLT	6					M8x80
11	N081210020	NİPEL, GRES	NIPPLE, GREASE	2					
12	6631121040	HORTUM KOMPLESİ	HOSE ASS'Y	4					
13	N015890842	CIVATA	BOLT	2					M10x40
14	N023570184	SOMUN	NUT	6					

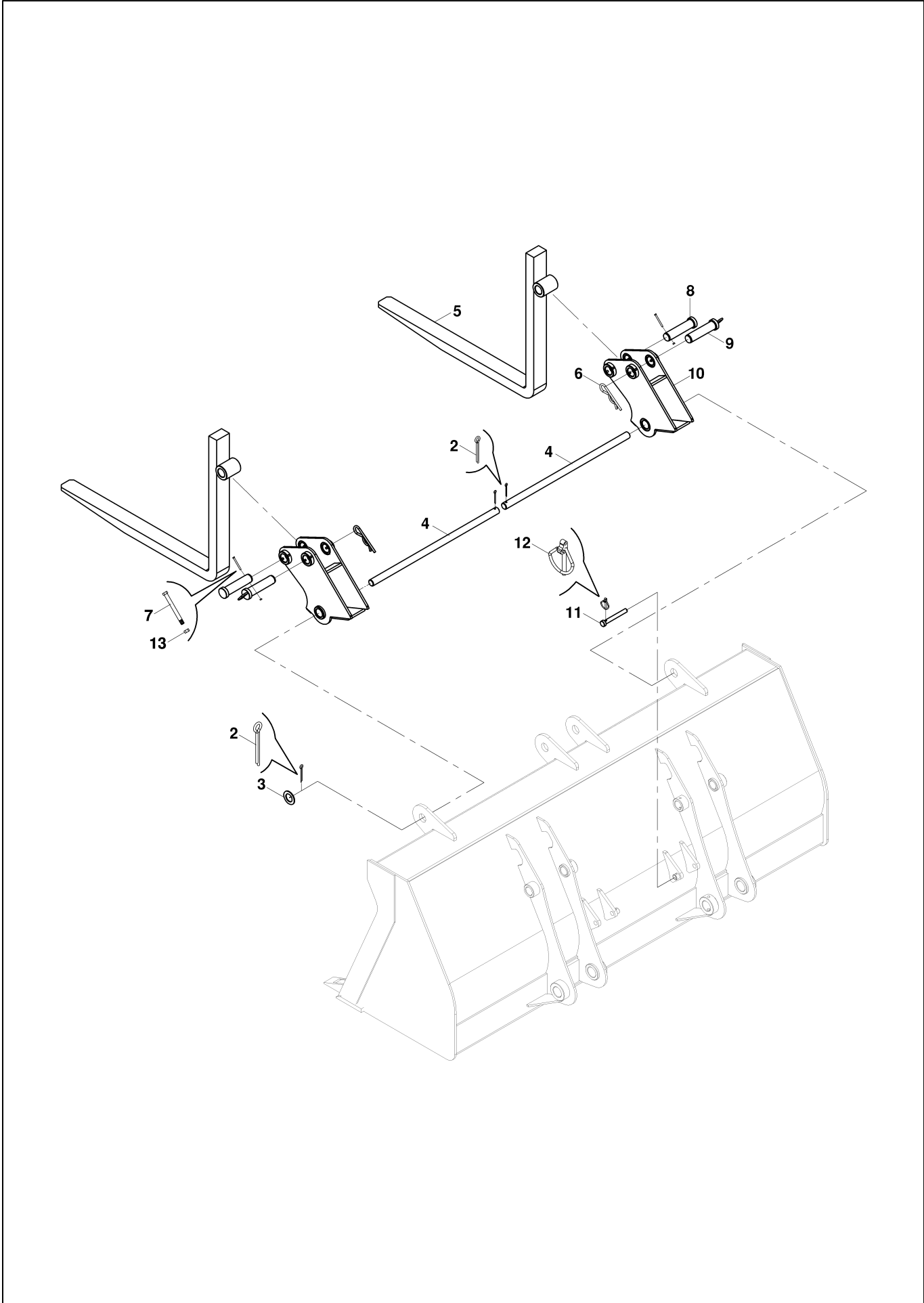
FORKLİFT APARATI (AÇILIR KEPÇE) (OP)
FORKLIFT (MULTIPURPOSE BUCKET) (OP)



FORKLİFT APARATI (AÇILIR KEPÇE) (OP)
FORKLIFT (MULTIPURPOSE BUCKET) (OP)

No	Parça No	Parça Adı	Description	Adet	S.K.	Bas.S.N	Bit.S.N	Y.K.	Not
No	Part no			Qty	SC	S/N from	S/N to	ICA	Note
0	01761002	FORKLİFT APARATLI AÇILIR KEPÇE, KOMPLE	FORKLIFT MOUNTED CLAMSHOVEL, ASSY	1	SOP				
1	N063006042	HALKALI PİM	PIN, LINC	4					
2	02030563	PİM	PIN	2					
3	06020703	MAFSAL, KOMPLE	JOINT, ASSY	2					
4	N010380793	CIVATA	BOLT	2					M8x80
5	80110055	PİM	PIN	2					
6	81050616	TAHDİT TAKOZU	STOPPER BLOCK	2					
7	N023580314	SOMUN	NUT	2					M16
8	N025910062	SOMUN	NUT	2					M8
9	N061008070	GUPİLYA	COTTER PIN	4					
10	80500503	PUL	WASHER	4					
11	80114520	MİL	SHAFT	2					
12	F9990051	FORKLİFT ÇATALI	TINE, FORK	2					50x80
13	80110119	KİLİT PİMİ	PIN, LOCKING	2					
14	Y0650116	ETİKET	DECAL	1					
15	N130020295	PERÇİN	BLIND RIVET	2					

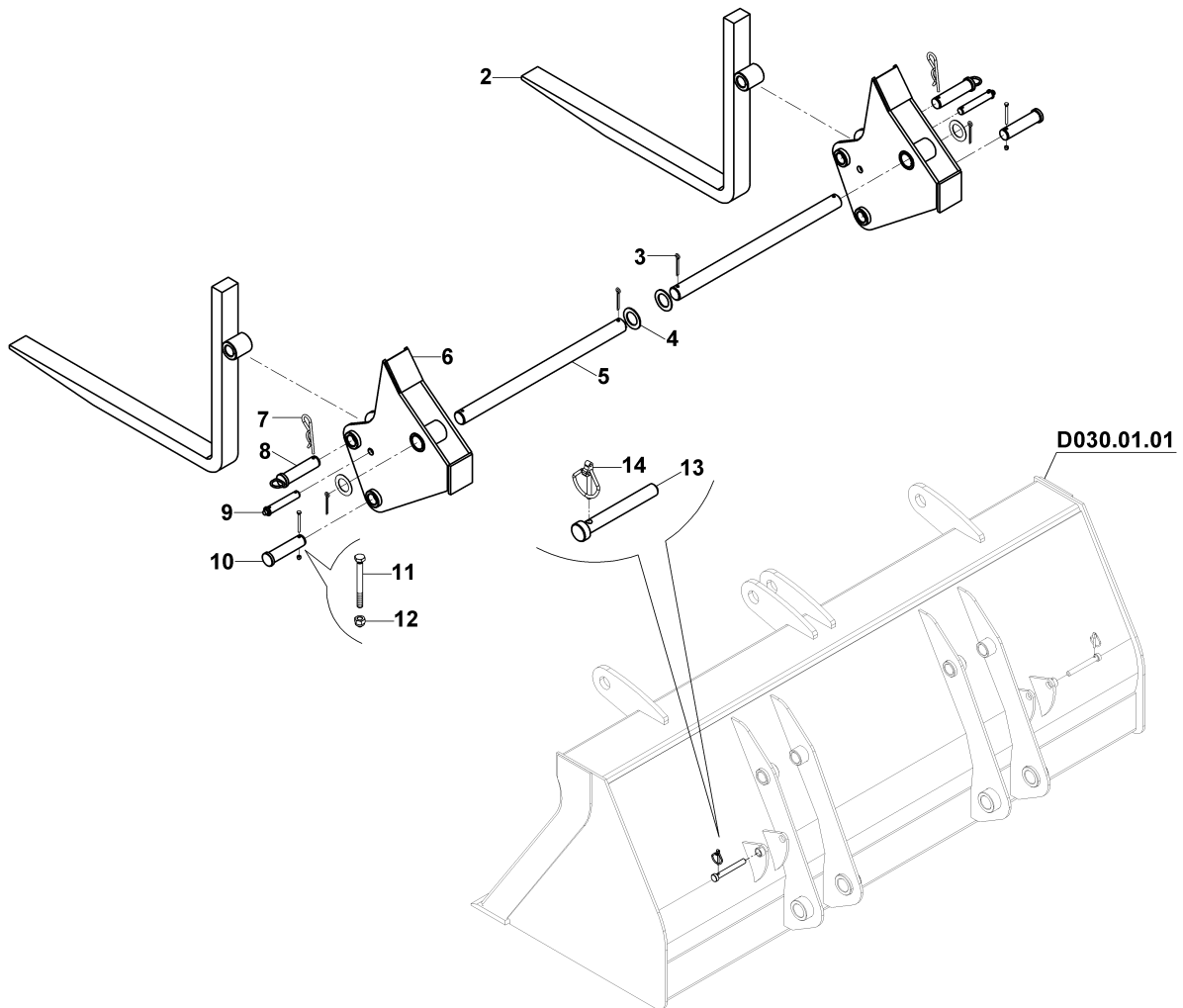
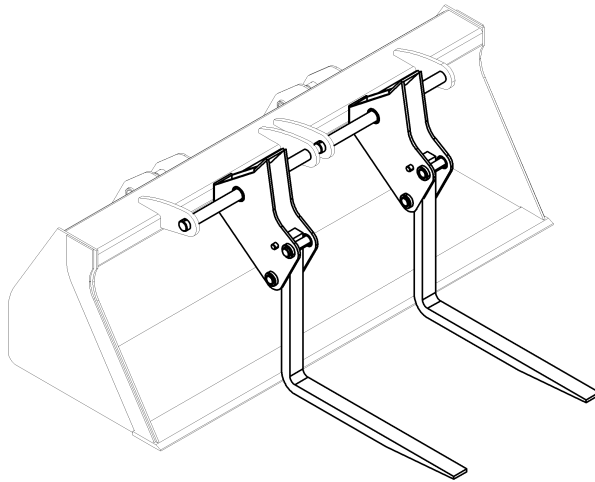
FORKLİFT APARATI (SABİT KEPÇE 1.2 m3) (OP)
FORKLİFT (SHOVEL 1.2 m3) (OP)



FORKLİFT APARATI (SABİT KEPÇE 1.2 m3) (OP)
FORKLIFT (SHOVEL 1.2 m3) (OP)

No	Parça No	Parça Adı	Description	Adet	S.K.	Bas.S.N	Bit.S.N	Y.K.	Not
No	Part no			Qty	SC	S/N from	S/N to	ICA	Note
0	01761000	FORKLİFT APARATI KOMPLESİ (SABİT KEPÇE 1.2m3)	LOADER BUCKET, FORKLIFT MOUNTED(GB BUCKET 1.2m3)	1					
2	N061008070	GUPİLYA	COTTER PIN	4					
3	80500503	PUL	WASHER	4					
4	80114520	MİL	SHAFT	2					
5	F9990000	FORKLİFT ÇATALI	FORK	2					
6	N063006097	MAŞALI PİM	COTTER PIN	2					
7	N010380493	CIVATA	BOLT	2					M8x80
8	80110055	PİM	PIN	2					
9	81100258	HALKALI PİM	PIN	2					
10	06020358	MAFSAL K.K., FORKLİFT ÇATALI	JOINT W.A., FORK	2					
11	80110110	PİM, KİLİT	PIN, LOCKING	2					
12	N063006042	HALKALI PİM	PIN, LINCH	2					
13	N025910062	SOMUN	NUT	2					M8

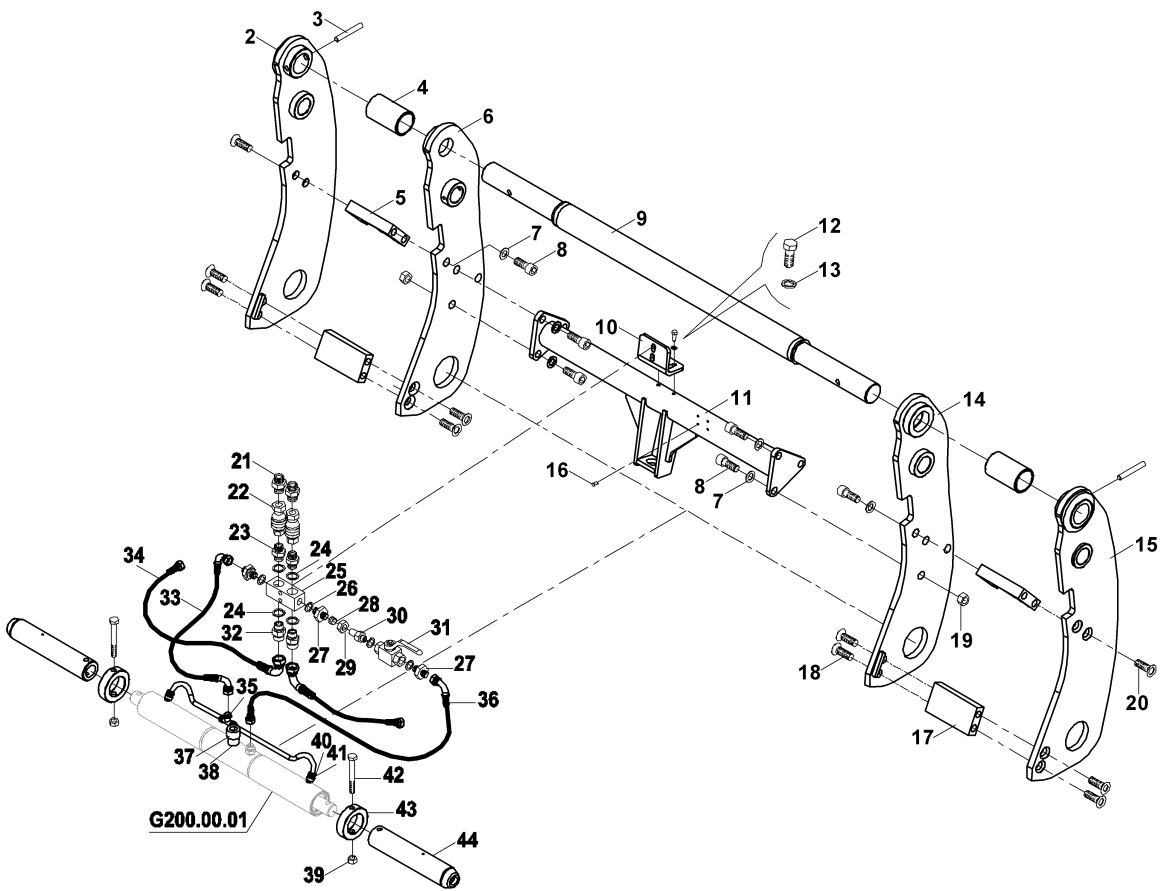
FORKLİFT APARATI (SABİT KEPÇE 1.5 m3) (OP)
FORKLIFT (SHOVEL 1.5 m3) (OP)



FORKLİFT APARATI (SABİT KEPÇE 1.5 m3) (OP)
FORKLIFT (SHOVEL 1.5 m3) (OP)

No	Parça No	Parça Adı	Description	Adet	S.K.	Bas.S.N	Bit.S.N	Y.K.	Not
No	Part no			Qty	SC	S/N from	S/N to	ICA	Note
0	06010297	FORKLİFT APARATI KOMPLESİ	LOADER BUCKET, FORKLIFT MOUNTED	1					
2	09900400	FORKLİFT ÇATALI	FORK	2					
3	N061008070	GUPİLYA	COTTER PIN	4					
4	80500503	PUL	WASHER	4					
5	80114520	MİL	SHAFT	2					
6	06020359	MAFSAL K.K., FORKLİFT ÇATALI	JOINT W.A., FORK	2					
7	N063006097	MAŞALI PİM	COTTER PIN	2					
8	81100262	PİM	PIN	2					
9	80110118	PİM	PIN	2					
10	80110054	PİM	PIN	2					
11	N010222282	CIVATA	BOLT	2					M8x80
12	N025900062	SOMUN	NUT	2					M8
13	80110110	PİM, KİLİT	PIN, LOCKING	2					
14	N063006042	HALKALI PİM	PIN, LINCH	2					

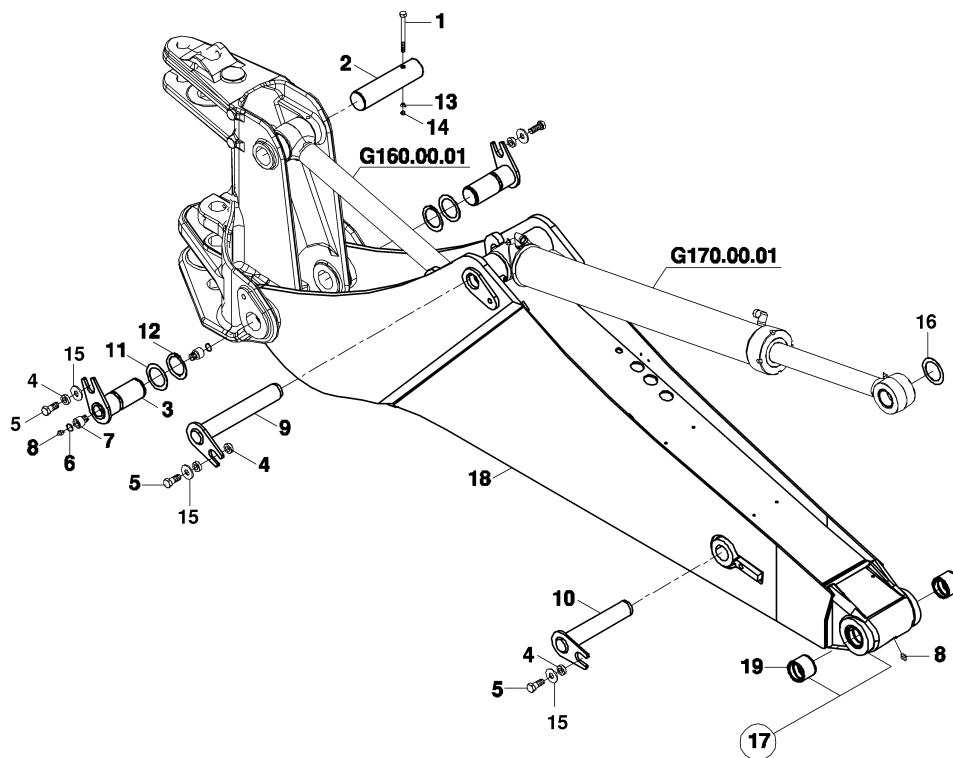
ÇABUK SÖK TAK (YÜKLEYİCİ KEPÇE) (OP)
QUICK COUPLER (LOADER) (OP)



ÇABUK SÖK TAK (YÜKLEYİCİ KEPÇE) (OP)
QUICK COUPLER (LOADER) (OP)

No	Parça No	Parça Adı	Adet	S.K.	Bas.S.N	Bit.S.N	Y.K.	Not
No	Part no	Description	Qty	SC	S/N from	S/N to	ICA	Note
0	06811111	ÇABUK SÖK-TAK KOMPLESİ	1					
2	06890201	ARKALIK K.K., SAĞ-DIŞ	1					
3	N156452538	PİM	2					
4	02021012	BORU	2					
5	02021003	ARA PARÇA	2					
6	06890211	ARKALIK K.K., SAĞ-İÇ	1					
7	N030810002	PUL	8					M16
8	N010223578	CIVATA	8					M16x40
9	81014452	MİL	1					
10	02002227	BRAKET	1					
11	06890221	DESTEK K.K.	1					
12	N015892018	CIVATA	2					M8x20
13	N030020111	PUL	2					M8
14	06890216	ARKALIK K.K., SOL-İÇ	1					
15	06890206	ARKALIK K.K., SOL-DIŞ	1					
16	N130020295	PERÇİN	4					
17	02021301	ARA SAC	2					
18	N044321262	CIVATA	8					M16x40
19	N025900194	SOMUN	4					M16x40
20	N010223590	CIVATA	6					M16x40
21	80624324	NİPEL	2					
22	N169900070	ÇABUK BAĞLANTI KOMPLESİ	2					
23	80603312	NİPEL	2					
24	N030000015	O-RİNGLİ PUL	4					
25	02021304	BLOK, VALF	1					
26	N030000005	O-RİNGLİ PUL	4					
27	80624316	NİPEL	3					
28	N183570164	YÜKSÜK	1					
29	N173570164	YÜKSÜKLÜ SOMUN	1					
30	80602117	NİPEL	1					
31	N140010650	KÜRESEL VANA	1					
32	N163430940	NİPEL	2					
33	664222B072	HORTUM KOMPLESİ	2					
34	6020021037	HORTUM KOMPLESİ	2					
35	N163570143	T ADAPTÖR	1					
36	602002K031	HORTUM KOMPLESİ	1					
37	N015892018	CIVATA	1					M20x45
38	02021009	BORU	1					
39	N025910122	SOMUN	2					M12
40	N183570164	YÜKSÜK	1					
41	N173570164	YÜKSÜKLÜ SOMUN	1					
42	N010380986	CIVATA	2					M12x100
43	02021007	BİLEZİK, PİM SABİTLEME	2					
44	80104115	PİM	2					

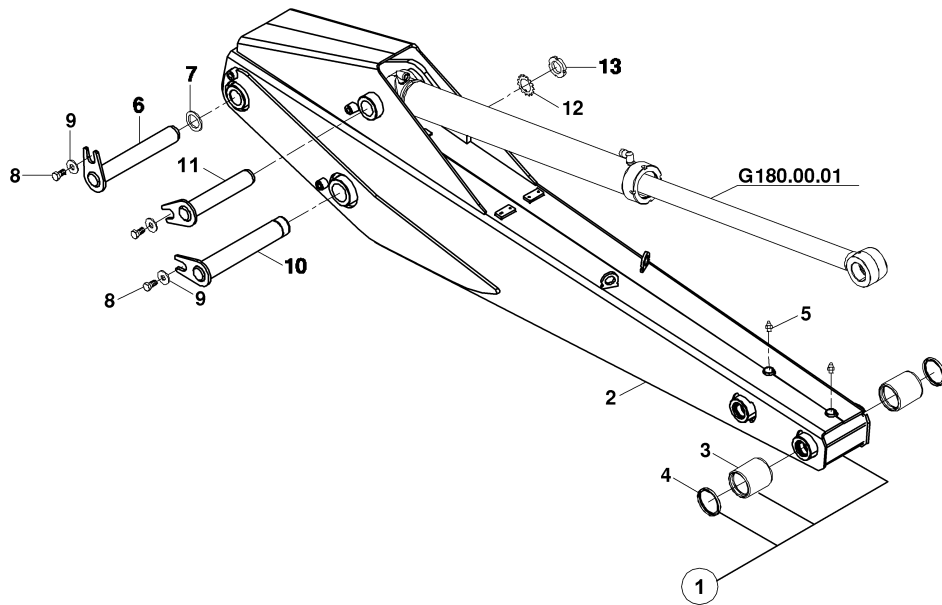
BOM MONTAJI BOOM MOUNTING



BOM MONTAJI BOOM MOUNTING

No	Parça No	Parça Adı		Adet	S.K.	Bas.S.N	Bit.S.N	Y.K.	Not
No	Part no		Description	Qty	SC	S/N from	S/N to	ICA	Note
1	N010381022	CIVATA	BOLT	1					
2	80102222	PİM	PIN	1					
3	81117634	PİM	PIN	2					
4	80500452	PUL	WASHER	4					
5	N010233578	CIVATA	BOLT	3					M16x40
6	N030221252	CONTA	GASKET, COPPER	2					
7	81300110	YAĞLAMA ADAPTÖRÜ	ADAPTER	2					
8	N081210020	NİPEL, GRES	NIPPLE, GREASE	3					
9	81101096	PİM	PIN	1					
9	81101336	PİM	PIN	1					
10	81101097	PİM	PIN	1					
11	80500530	ŞİM, Ø61xØ85x1	SHIM, Ø61xØ85x1	2					
11	80500535	ŞİM, Ø60,5xØ100x1	SHIM, Ø60,5xØ100x1	*	GK				
11	80500536	ŞİM, Ø60,5xØ100x2	SHIM, Ø60,5xØ100x2	*	GK				
11	80500537	ŞİM, Ø60,5xØ100x3	SHIM, Ø60,5xØ100x3	*	GK				
12	N050020104	SEGMAN	RETAINING RING	2					
13	N023580242	SOMUN	NUT	1					M12
14	N025910122	SOMUN	NUT	1					M12
15	80500442	PUL	WASHER	4					
16	80500596	PUL	WASHER	*	GK				
17	01834338	BOM	BOOM	1					
17	01834343	BOM	BOOM	1					
18	01930378	BOM	BOOM	1					
18	01930383	BOM	BOOM	1					
19	80201531	BURÇ	BUSHING	4					

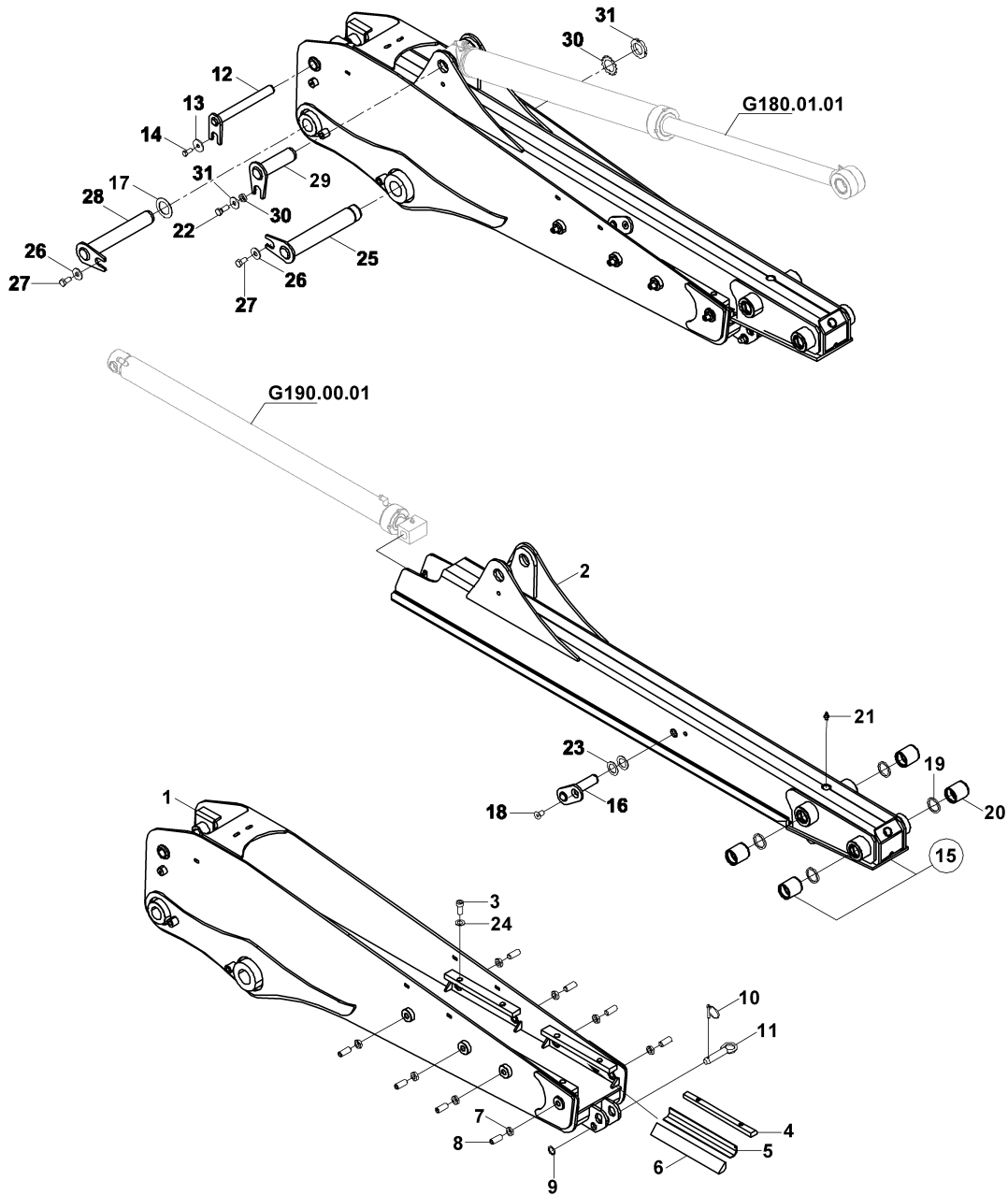
ARM MONTAJI ARM MOUNTING



ARM MONTAJI
ARM MOUNTING

No	Parça No	Parça Adı	Description	Adet	S.K.	Bas.S.N	Bit.S.N	Y.K.	Not
No	Part no			Qty	SC	S/N from	S/N to	ICA	Note
1	01835226	ARM KOMPLESİ	ARM ASS'Y	1					
2	01934189	ARM K.K.	ARM W.A.	1					
3	80201222	BURÇ	BUSHING	4					
4	N081210020	NİPEL, GRES	NIPPLE, GREASE	2					5/16"
5	N105445405	KEÇE	SEAL	4					
6	81101098	PİM	PIN	1					NB
7	80500502	ŞİM, Ø50.5x2	SHIM, Ø50.5x2	*	GK				50.5x2
8	80500452	PUL	WASHER	2					
9	N010233554	CIVATA	BOLT	2					M16x30
10	81106018	PİM	PIN	1					
11	81101099	PİM	PIN	2					
12	02000221	KİLİT SACI	PLATE, LOCK	2					
13	80403100	SOMUN, KİLİT	NUT, LOCK	2					

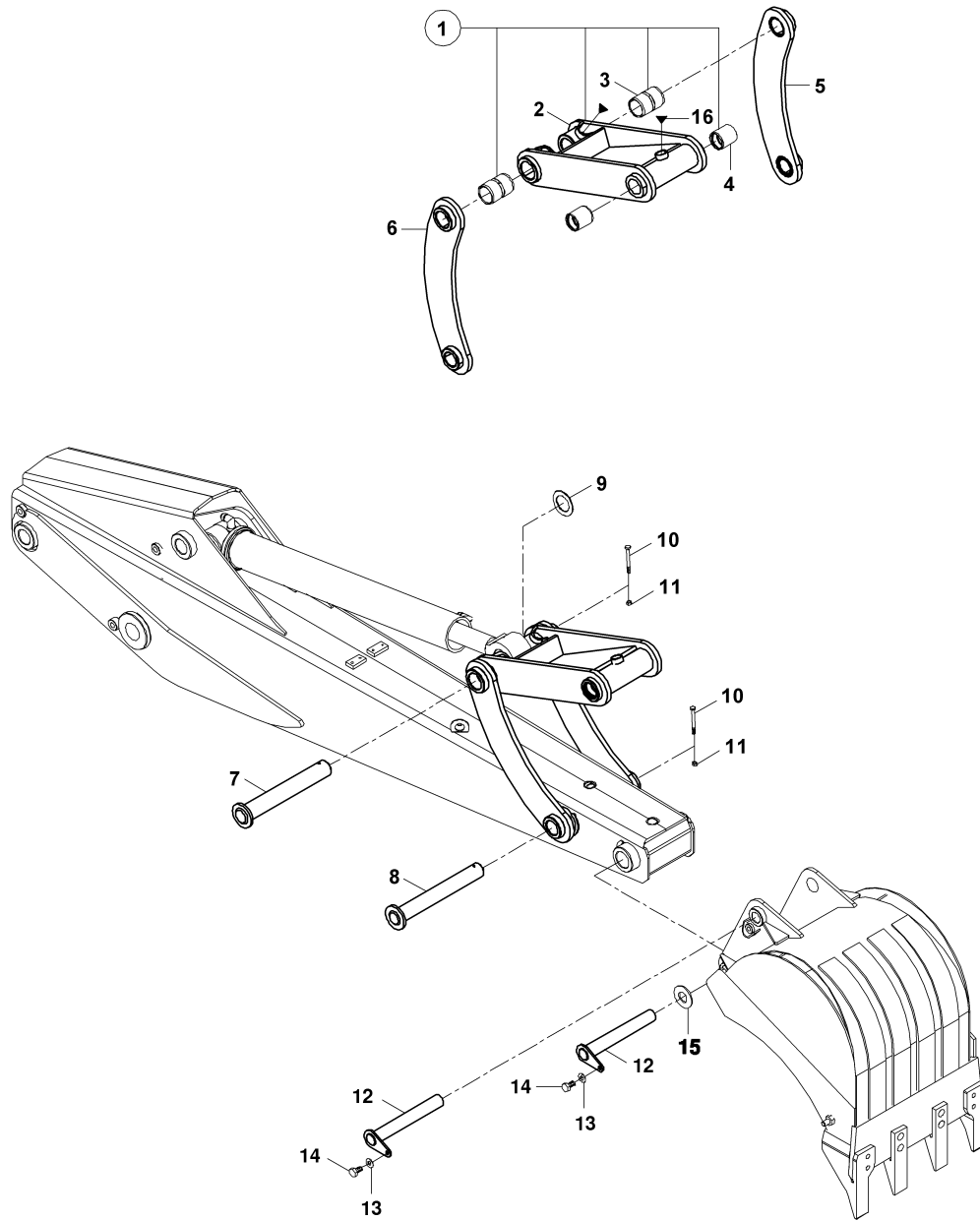
TELESKOPIK ARM MONTAJI (OP) TELESCOPIC ARM MOUNTING (OP)



TELESKOPIK ARM MONTAJI (OP)
TELESCOPIC ARM MOUNTING (OP)

No	Parça No	Parça Adı	Description	Adet	S.K.	Bas.S.N	Bit.S.N	Y.K.	Not
No	Part no			Qty	SC	S/N from	S/N to	ICA	Note
1	01935230	DIŞ BOM	BOOM, EXTERIOR	1					
2	01935514	BOM, TELESKOPIK İÇ	BOOM, TELESCOPIC INTERIOR	1					
3	N015891335	CIVATA	BOLT	8					M12x20
4	F9906351	POLYAMİD YATAK	SLIDING PAD, TELESCOPIC, UPPER	4					
5	02011533	SAC, POLYAMİD YATAK	PLATE, SLIDING PAD	4					
6	F9906302	POLYAMİD YATAK	SLIDING PAD, TELESCOPIK, BOTTOM	4					
7	N024260194	SOMUN	NUT	8					M20x1.5
8	N043121020	AYAR CIVATASI	SETSCREW	8					
9	80500082	PUL	WASHER	1					
10	N063006042	HALKALI PİM	PIN, LINCH	1					
11	81110030	PİM	PIN	1					
12	81101102	PİM K.K.	PIN W.A.	1					
13	80500462	PUL	WASHER	1					
14	N010233554	CIVATA	BOLT	1					M16x30
15	01835531	BOM KOMPLESİ, TELESKOPIK İÇ	BOOM ASS'Y, TELESCOPIC INTERIOR	1					
16	81101103	PİM	PIN	1					
17	02000221	KİLİT SACI	PLATE, LOCK	1					
18	N044321238	CIVATA	BOLT	1					M16x30
19	N105445405	KEÇE	SEAL	4					
20	80201222	BURÇ	BUSHING	4					
21	N081210020	NİPEL, GRES	NIPPLE, GREASE	2					
22	N010233578	CIVATA	BOLT	1					M16x40
23	80500240	ŞİM, Ø32.5xØ50x1	SHIM, Ø32.5xØ50x1	2					
23	80500241	ŞİM, Ø32.5xØ50x2	SHIM, Ø32.5xØ50x2	*	GK				
24	80500513	PUL	WASHER	8					
25	81106018	PİM	PIN	1					
26	N010233554	CIVATA	BOLT	3					M16x30
27	80500452	PUL	WASHER	2					
28	81101101	PİM	PIN	1					
29	81101106	PİM	PIN	1					
30	80500452	PUL	WASHER	1					
31	80500442	PUL	WASHER	1					

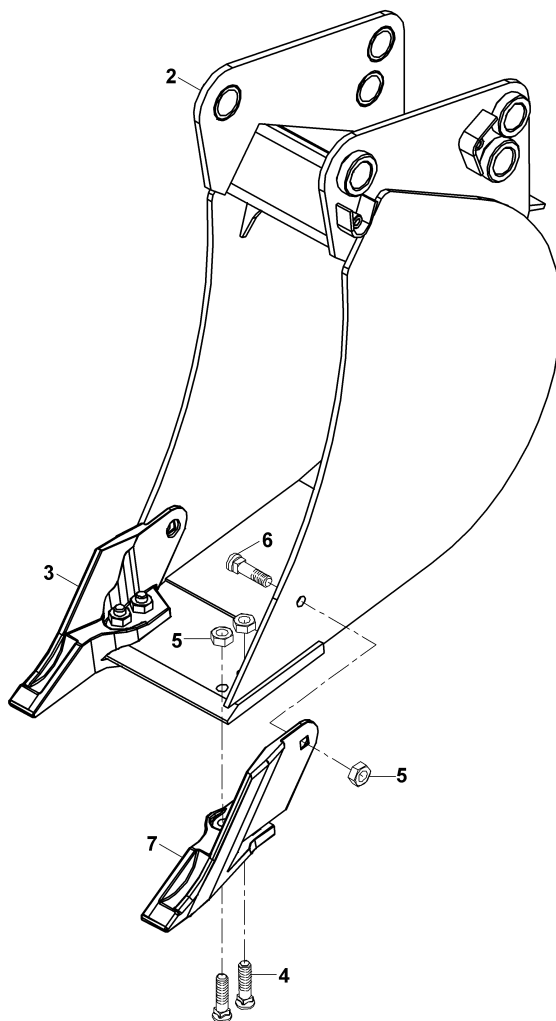
KEPÇE BAĞLANTISI BUCKET LINKAGE



KEPÇE BAĞLANTISI
BUCKET LINKAGE

No	Parça No	Parça Adı	Description	Adet	S.K.	Bas.S.N	Bit.S.N	Y.K.	Not
No	Part no			Qty	SC	S/N from	S/N to	ICA	Note
1	01836525	PALET KOMPLESİ	LINK ASS'Y	1					
2	01936525	PALET K.K.	LINK W.A.	1					
3	80201387	BURÇ	BUSHING	2					
4	80201222	BURÇ	BUSHING	2					
5	01936222	DESTEK KOLU K.K., SAĞ	LINK W.A., RH	1					
6	01936211	DESTEK KOLU K.K., SOL	LINK W.A., LH	1					
7	81102239	PİM	PIN	1					
8	81102191	PİM	PIN	1					
9	80500511	ŞİM, Ø50.5x0.5	SHIM, Ø50.5x0.5	1					
9	80500501	ŞİM, Ø50.5x1	SHIM, Ø50.5x1	*	GK				
10	N010380746	CIVATA	BOLT	2					M10x90
11	N025910086	SOMUN	NUT	2					M10
12	81101040	PİM K.K.	PIN	2					
12	81162217	PİM K.M.	PIN ASS'Y	2					
13	N030810001	PUL	WASHER	2					
14	N010232798	CIVATA	BOLT	2					M12x20
15	80500418	ŞİM, Ø44.5x1	SHIM, Ø44.5x1	1					
15	80500419	ŞİM, Ø44.5x1	SHIM, Ø44.5x1	*	GK				
16	N081210020	NİPEL, GRES	NIPPLE, GREASE	3					

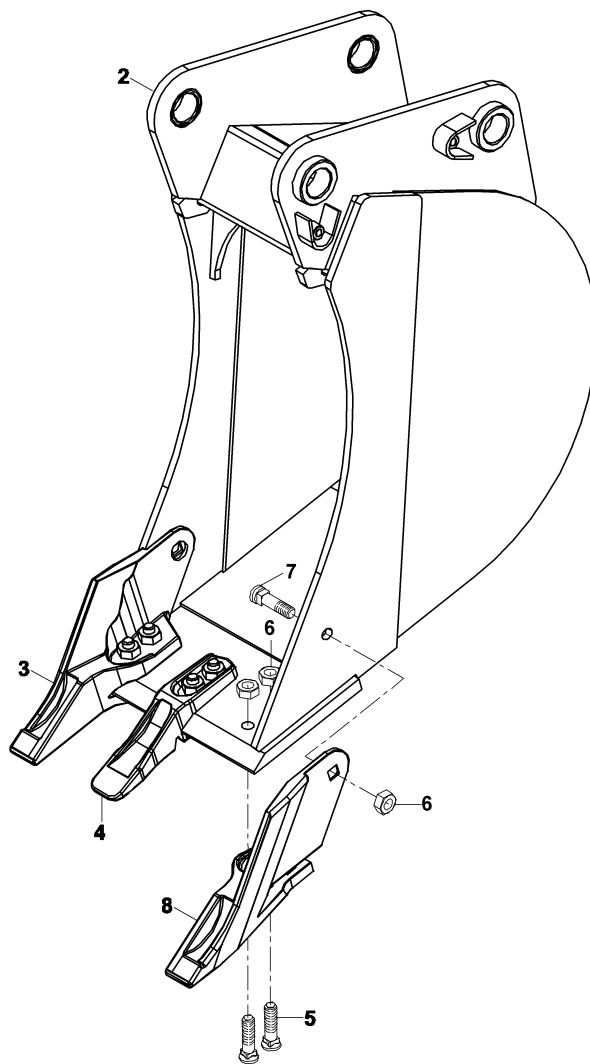
KEPÇE, KAZICI (300 mm)
BUCKET, BACKHOE (300 mm)



KEPÇE, KAZICI (300 mm)
BUCKET, BACKHOE (300 mm)

No	Parça No	Parça Adı	Description	Adet	S.K.	Bas.S.N	Bit.S.N	Y.K.	Not
No	Part no			Qty	SC	S/N from	S/N to	ICA	Note
0	01760008	KEPÇE KOMPLESİ, KAZICI, 300mm	BUCKET ASSY, BACKHOE, 300mm	1					
2	06123010	KEPÇE K.K., KAZICI, 300mm	BUCKET W.A., BACKHOE, 300mm	1					
3	81010630	TIRNAK, SAĞ	TOOTH, RH	1					
4	N015610145	CIVATA	BOLT	4					W5/8"X11T
5	N028660481	SOMUN	NUT	6					W5/8"X11T
6	N015610109	CIVATA	BOLT	2					5/8"x38mm
7	81010640	TIRNAK, SOL	SIDE CUTTER, LEFT	1					

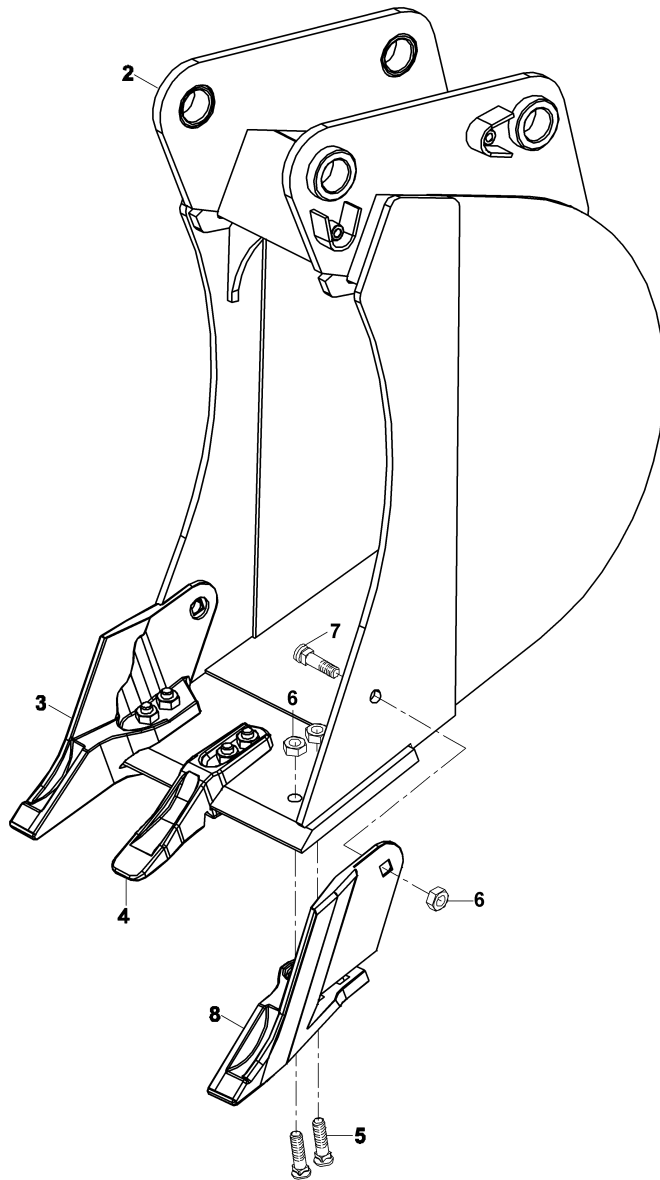
KEPÇE, KAZICI (350 mm)
BUCKET, BACKHOE (350 mm)



KEPÇE, KAZICI (350 mm)
BUCKET, BACKHOE (350 mm)

No	Parça No	Parça Adı	Description	Adet	S.K.	Bas.S.N	Bit.S.N	Y.K.	Not
No	Part no			Qty	SC	S/N from	S/N to	ICA	Note
0	01760000	KEPÇE KOMPLESİ, KAZICI, 350mm	BUCKET ASSY, BACKHOE, 350mm	1					
2	06123501	KEPÇE K.K., KAZICI, 350mm	BUCKET W.A., BACKHOE, 350mm	1					
3	81010630	TIRNAK, SAĞ	TOOTH, RH	1					
4	81010605	TIRNAK	TOOTH	1					
5	N015610145	CIVATA	BOLT	6					W5/8"X11T
6	N028660481	SOMUN	NUT	8					W5/8"X11T
7	N015610109	CIVATA	BOLT	2					5/8"x38mm
8	81010640	TIRNAK, SOL	SIDE CUTTER, LEFT	1					

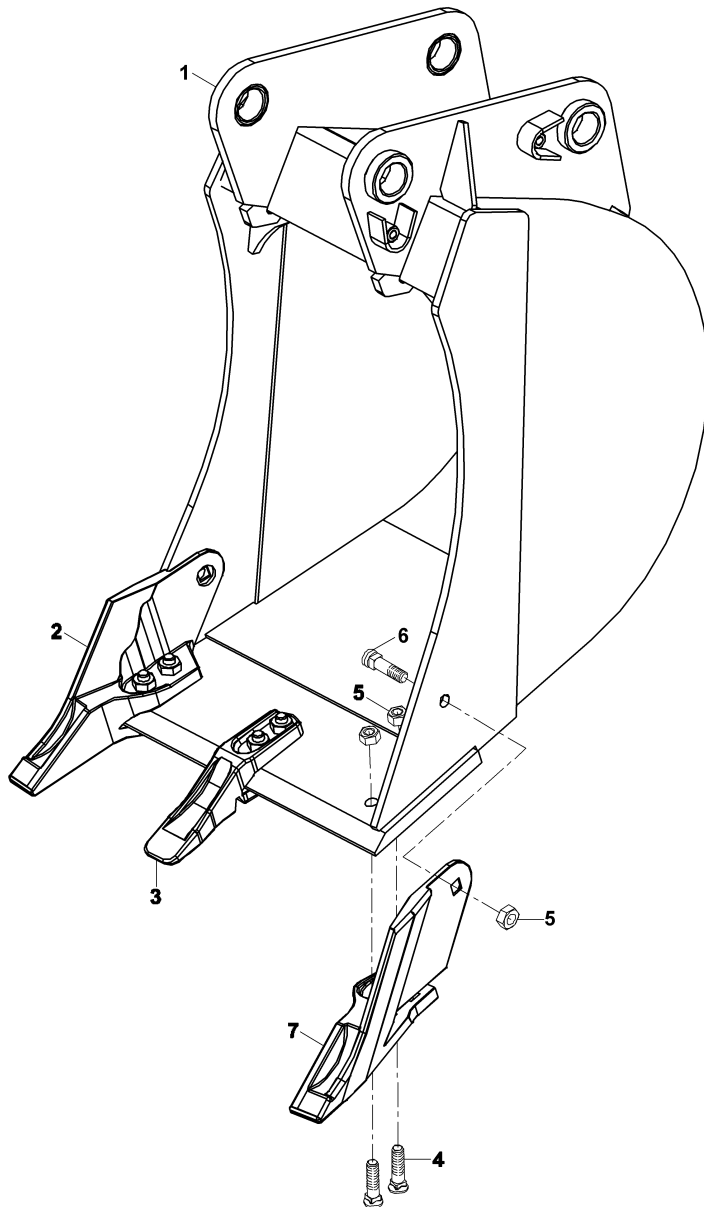
KEPÇE, KAZICI (400 mm)
BUCKET, BACKHOE (400 mm)



KEPÇE, KAZICI (400 mm)
BUCKET, BACKHOE (400 mm)

No	Parça No	Parça Adı	Description	Adet	S.K.	Bas.S.N	Bit.S.N	Y.K.	Not
No	Part no			Qty	SC	S/N from	S/N to	ICA	Note
0	01760001	KEPÇE KOMPLESİ, KAZICI, 400mm	BUCKET ASSY, BACKHOE, 400mm	1					
2	06124000	KEPÇE K.K., KAZICI, 400mm	BUCKET W.A., BACKHOE, 400mm	1	OP				
2	06124000	KEPÇE K.K., KAZICI, 400mm	BUCKET W.A., BACKHOE, 400mm	1	OP				
2	06124020	KEPÇE K.K., KAZICI, 400mm	BUCKET W.A., BACKHOE, 400mm	1					
3	81010630	TIRNAK, SAĞ	TOOTH, RH	1					
4	81010605	TIRNAK	TOOTH	1					
5	N015610145	CIVATA	BOLT	6					W5/8"X11T
6	N028660481	SOMUN	NUT	8					W5/8"X11T
7	N015610109	CIVATA	BOLT	2					5/8"x38mm
8	81010640	TIRNAK, SOL	SIDE CUTTER, LEFT	1					

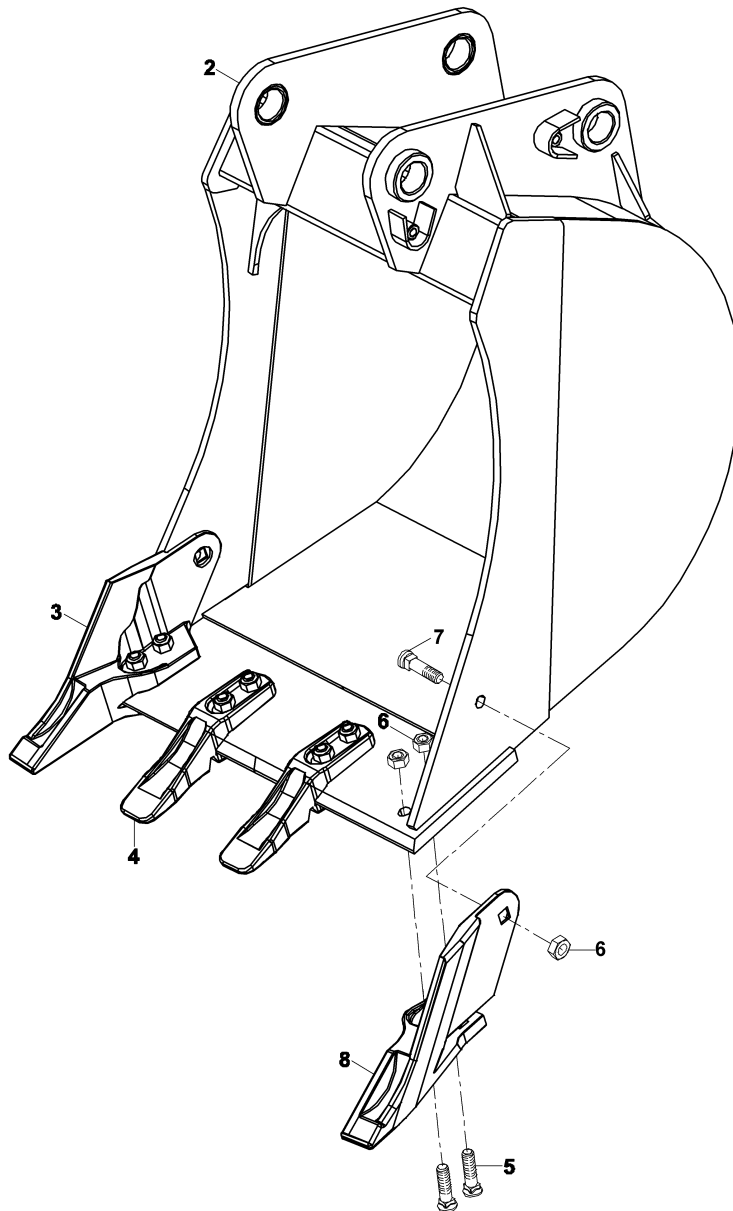
KEPÇE, KAZICI (500 mm)
BUCKET, BACKHOE (500 mm)



KEPÇE, KAZICI (500 mm)
BUCKET, BACKHOE (500 mm)

No	Parça No	Parça Adı	Description	Adet	S.K.	Bas.S.N	Bit.S.N	Y.K.	Not
No	Part no			Qty	SC	S/N from	S/N to	ICA	Note
0	01760002	KEPÇE KOMPLESİ, KAZICI, 500mm	BUCKET ASSY, BACKHOE, 500mm	1	OP				
1	06125001	KEPÇE K.K., KAZICI, 500mm	BUCKET W.A., BACKHOE, 500mm	1	OP				
2	81010630	TIRNAK, SAĞ	TOOTH, RH	1					
3	81010605	TIRNAK	TOOTH	1					
4	N015610145	CIVATA	BOLT	6					W5/8"X11T
5	N028660481	SOMUN	NUT	8					W5/8"X11T
6	N015610109	CIVATA	BOLT	2					5/8"x38mm
7	81010640	TIRNAK, SOL	SIDE CUTTER, LEFT	1					

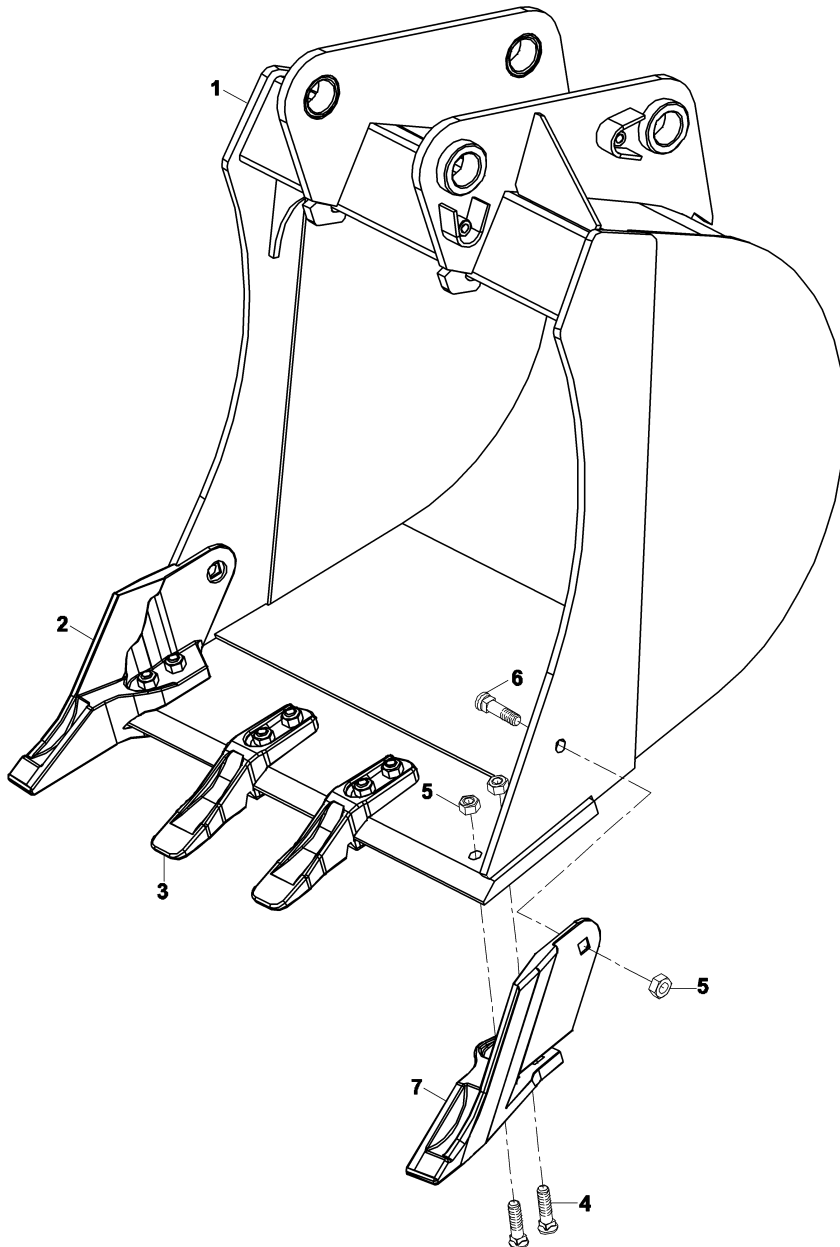
KEPÇE, KAZICI (600 mm)
BUCKET, BACKHOE (600 mm)



KEPÇE, KAZICI (600 mm)
BUCKET, BACKHOE (600 mm)

No	Parça No	Parça Adı	Description	Adet	S.K.	Bas.S.N	Bit.S.N	Y.K.	Not
No	Part no			Qty	SC	S/N from	S/N to	ICA	Note
0	01760003	KEPÇE KOMPLESİ, KAZICI, 600mm	BUCKET ASSY, BACKHOE, 600mm	1					
2	06126000	KEPÇE K.K., KAZICI, 600mm	BUCKET W.A., BACKHOE, 600mm	1	OP				
2	06126130	KEPÇE K.K., KAZICI, 600mm	BUCKET W.A., BACKHOE, 600mm	1				D	
3	81010630	TIRNAK, SAĞ	TOOTH, RH	1					
4	81010605	TIRNAK	TOOTH	2					
5	N015610145	CIVATA	BOLT	8					W5/8"X11T
6	N028660481	SOMUN	NUT	10					W5/8"X11T
7	N015610109	CIVATA	BOLT	2					5/8"x38mm
8	81010640	TIRNAK, SOL	SIDE CUTTER, LEFT	1					

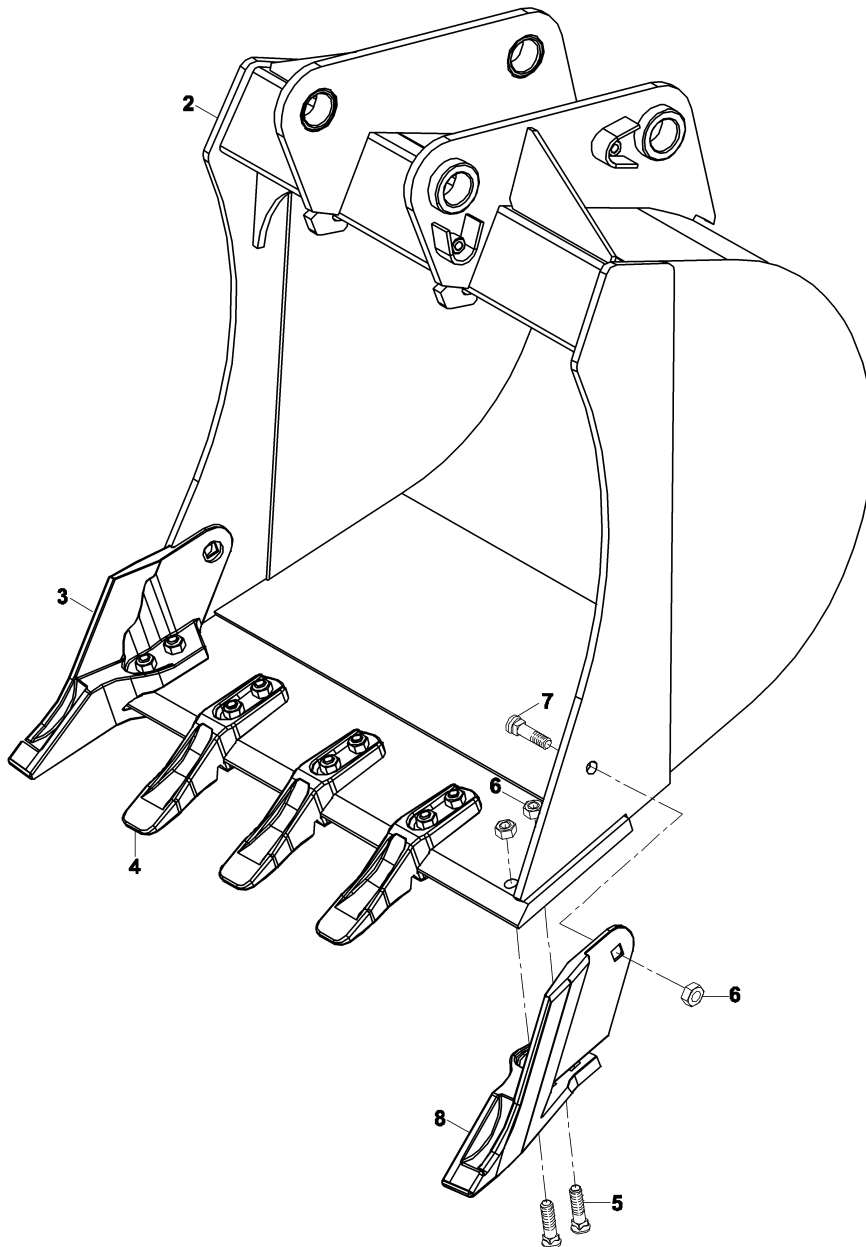
KEPÇE, KAZICI (700 mm)
BUCKET, BACKHOE (700 mm)



KEPÇE, KAZICI (700 mm)
BUCKET, BACKHOE (700 mm)

No	Parça No	Parça Adı	Description	Adet	S.K.	Bas.S.N	Bit.S.N	Y.K.	Not
No	Part no			Qty	SC	S/N from	S/N to	ICA	Note
0	01760004	KEPÇE KOMPLESİ, KAZICI, 700mm	BUCKET ASSY, BACKHOE, 700mm	1	OP				
1	06127001	KEPÇE K.K., KAZICI, 700mm	BUCKET W.A., BACKHOE, 700mm	1	OP				
2	81010630	TIRNAK, SAĞ	TOOTH, RH	1					
3	81010605	TIRNAK	TOOTH	2					
4	N015610145	CIVATA	BOLT	8					W5/8"X11T
5	N028660481	SOMUN	NUT	10					W5/8"X11T
6	N015610109	CIVATA	BOLT	2					5/8"x38mm
7	81010640	TIRNAK, SOL	SIDE CUTTER, LEFT	1					

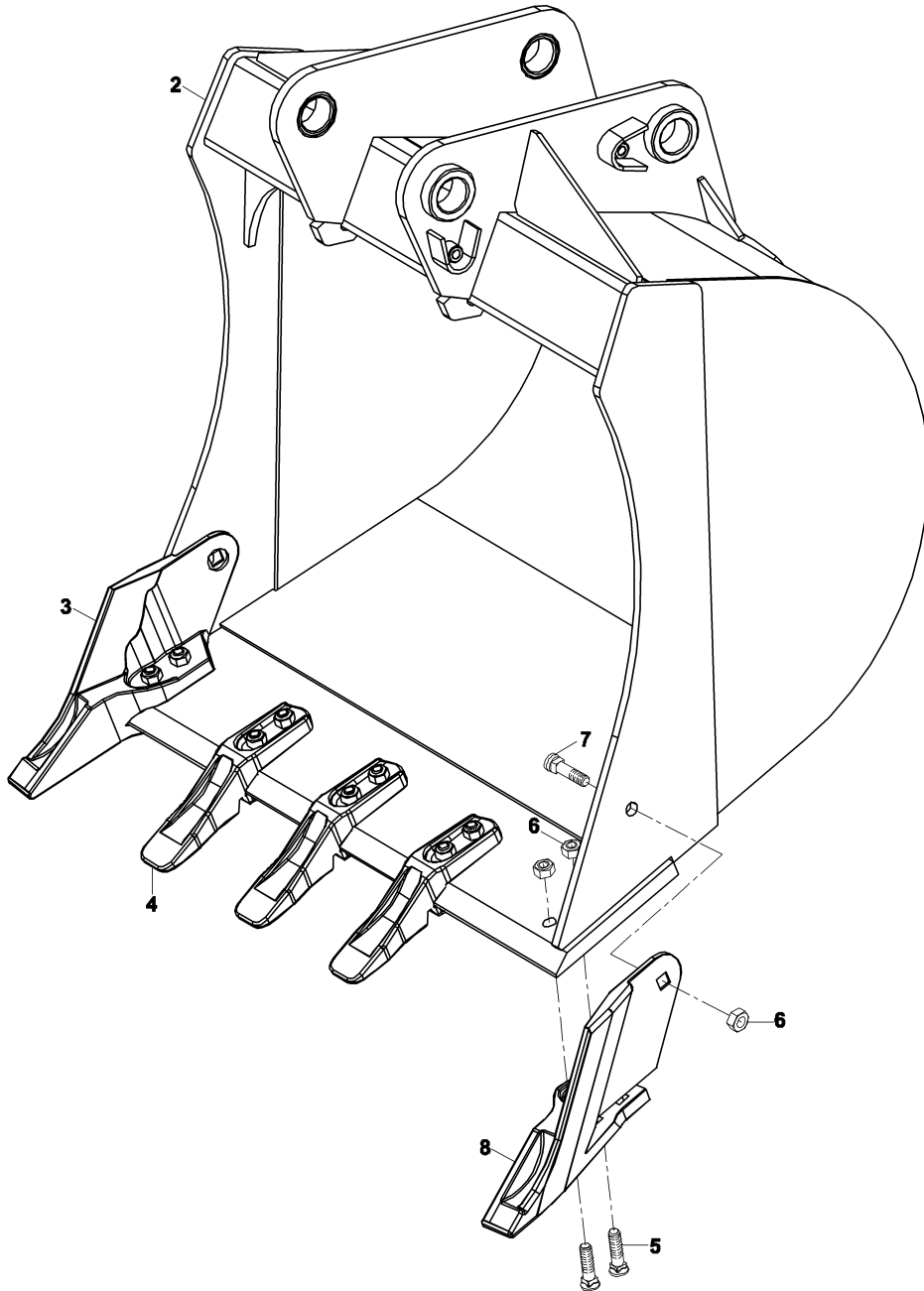
KEPÇE, KAZICI (800 mm)
BUCKET, BACKHOE (800 mm)



KEPÇE, KAZICI (800 mm)
BUCKET, BACKHOE (800 mm)

No	Parça No	Parça Adı	Description	Adet	S.K.	Bas.S.N	Bit.S.N	Y.K.	Not
No	Part no			Qty	SC	S/N from	S/N to	ICA	Note
0	01760005	KEPÇE KOMPLESİ, KAZICI, 800mm	BUCKET ASSY, BACKHOE, 800mm	1	OP				
2	06128000	KEPÇE K.K., KAZICI, 800mm	BUCKET W.A., BACKHOE, 800mm	1	OP	B150001	B150032		
2	06128001	KEPÇE K.K., KAZICI, 800mm	BUCKET W.A., BACKHOE, 800mm	1	OP	B150033		D	
3	81010630	TIRNAK, SAĞ	TOOTH, RH	1					
4	81010605	TIRNAK	TOOTH	3					
5	N015610145	CIVATA	BOLT	10					W5/8"X11T
6	N028660481	SOMUN	NUT	12					W5/8"X11T
7	N015610109	CIVATA	BOLT	2					5/8"x38mm
8	81010640	TIRNAK, SOL	SIDE CUTTER, LEFT	1					

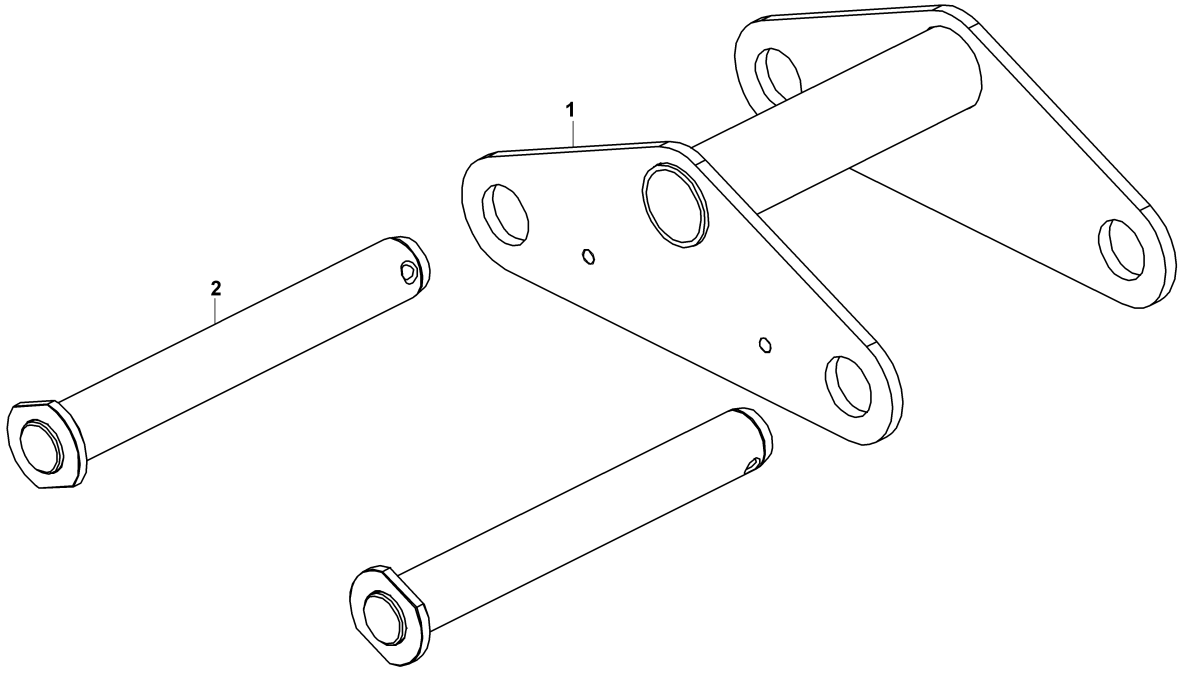
KEPÇE, KAZICI (900 mm)
BUCKET, BACKHOE (900 mm)



KEPÇE, KAZICI (900 mm)
BUCKET, BACKHOE (900 mm)

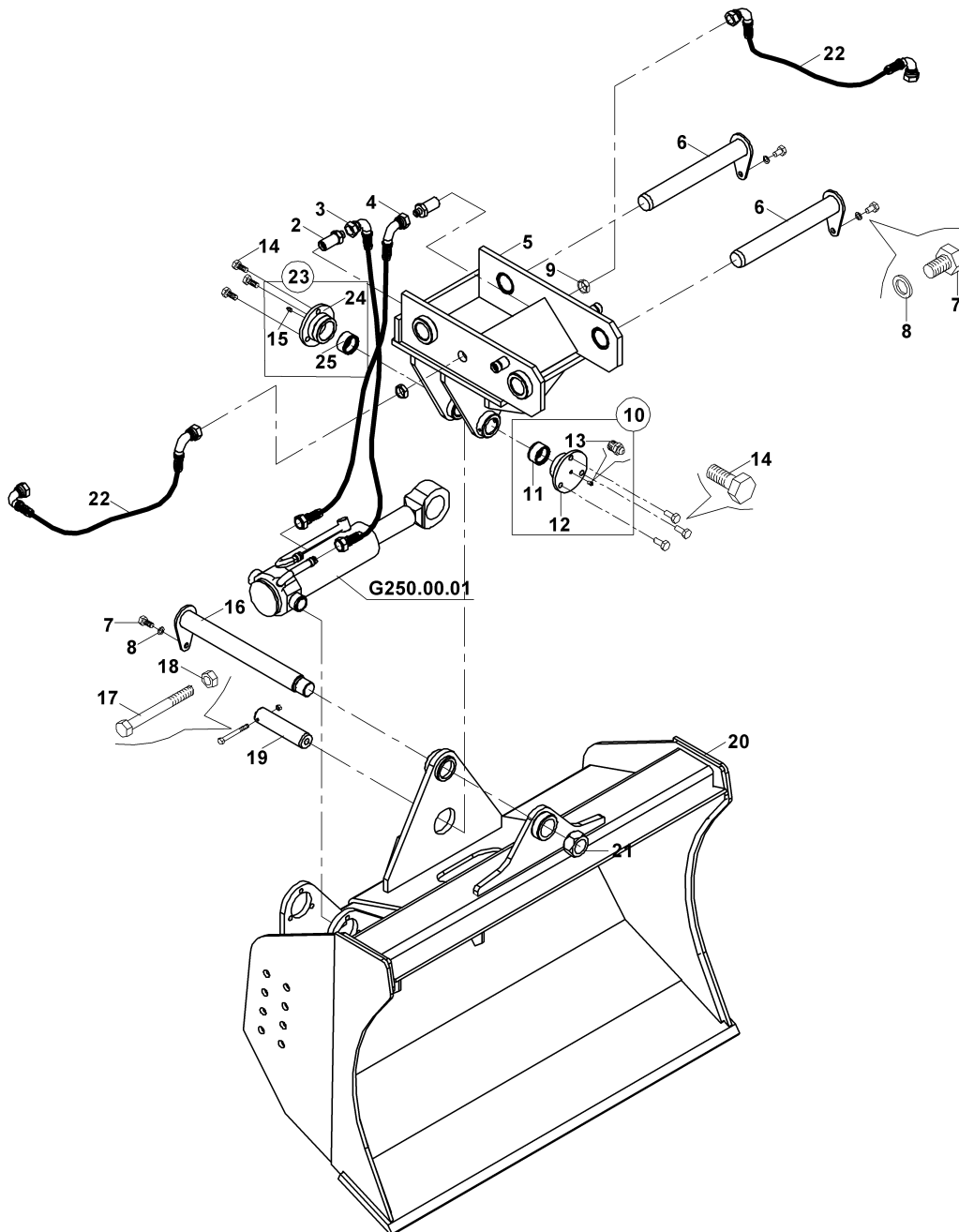
No	Parça No	Parça Adı	Description	Adet	S.K.	Bas.S.N	Bit.S.N	Y.K.	Not
No	Part no			Qty	SC	S/N from	S/N to	ICA	Note
0	01760006	KEPÇE KOMPLESİ, KAZICI, 900mm	BUCKET ASSY, BACKHOE, 900mm	1					
1	06128900	KEPÇE K.K., KAZICI, 900mm	BUCKET W.A., BACKHOE, 900mm	1		B150001	B150026		
1	06128901	KEPÇE K.K., KAZICI, 900mm	BUCKET W.A., BACKHOE, 900mm	1		B150027		D	
2	81010630	TIRNAK, SAĞ	TOOTH, RH	1					
3	81010605	TIRNAK	TOOTH	3					
4	N015610145	CIVATA	BOLT	10					W5/8"X11T
5	N028660481	SOMUN	NUT	12					W5/8"X11T
6	N015610109	CIVATA	BOLT	2					5/8"x38mm
7	81010640	TIRNAK, SOL	SIDE CUTTER, LEFT	1					

BAĞLANTI MONTAJ KİTİ, KAZICI (KEPÇESİZ) (OP)
CONNECTION MOUNTING, BACKHOE (NO BUCKET) (OP)



BAĞLANTI MONTAJ KİTİ, KAZICI (KEPÇESİZ) (OP)
CONNECTION MOUNTING, BACKHOE (NO BUCKET) (OP)

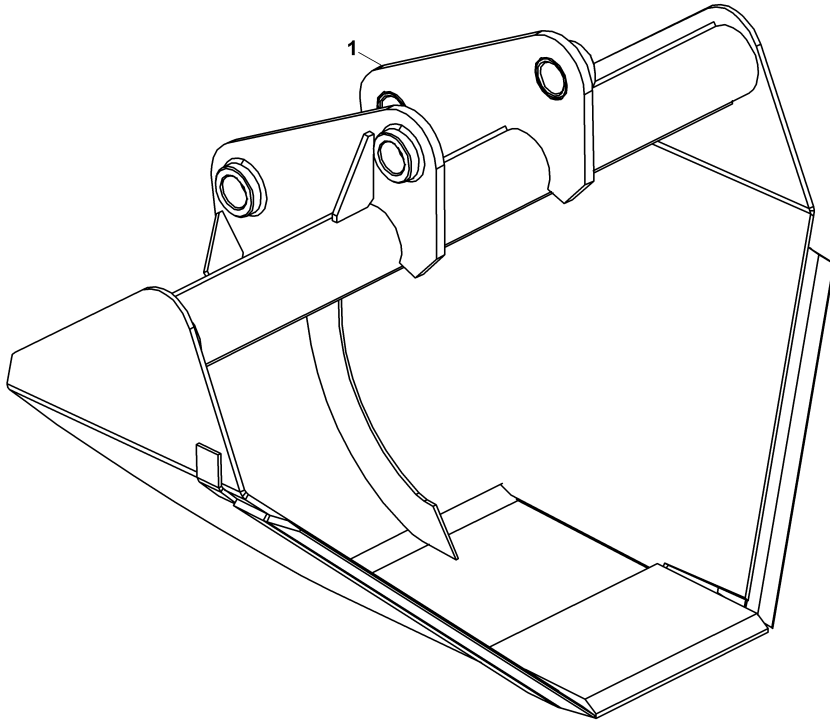
No	Parça No	Parça Adı	Adet	S.K.	Bas.S.N	Bit.S.N	Y.K.	Not
No	Part no	Description	Qty	SC	S/N from	S/N to	ICA	Note
1	06191120	PALET TUTUCU K.K.	1					
2	81162217	PİM K.M.	2					

DÖNERLİ KANAL KEPÇESİ (OP)
TILTING BUCKET (OP)

DÖNERLİ KANAL KEPÇESİ (OP)
TILTING BUCKET (OP)

No	Parça No	Parça Adı	Description	Adet	S.K.	Bas.S.N	Bit.S.N	Y.K.	Not
No	Part no			Qty	SC	S/N from	S/N to	ICA	Note
0	06119100	DÖNERLİ KANAL KEPÇESİ KOMPLESİ	TILTING BUCKET ASSY	1					
2	80624118	NİPEL	ADAPTER	2					TB
2	80624426	NİPEL	ADAPTER	2					TB+KT, NB+KT
3	6511121060	HORTUM KOMPLESİ	HOSE ASS'Y	1					NB+KT, TB+KT, TB
4	6511121075	HORTUM KOMPLESİ	HOSE ASS'Y	1					NB+KT, TB+KT, TB
5	06129100	ARKALIK K.K., KEPÇE	BACK SUPPORT W.A., BUCKET	1					
6	81101040	PİM K.K.	PIN	2					
7	N010222798	CIVATA	BOLT	3					M12x20
8	N032500016	PUL	WASHER	3					M12
9	N024230290	SOMUN	NUT	2					NB+KT, TB+KT, TB
10	01890129	FLANŞ KOMPLESİ	FLANGE ASS'Y	1					
11	80201210	BURÇ	BUSHING	1					
12	80203101	FLANŞ	FLANGE	1					
13	N081210020	NİPEL, GRES	NIPPLE, GREASE	1					5/16"
14	N010222846	CIVATA	BOLT	6					M12x30
15	N081210020	NİPEL, GRES	NIPPLE, GREASE	1					5/16"
16	81101047	PİM	PIN	1					
17	N010380494	CIVATA	BOLT	1					M8x80
18	N023570182	SOMUN	NUT	1					M8
19	80112040	PİM	PIN	1					
20	06129050	KEPÇE K.K., DÖNERLİ	BUCKET W.A., TILTING	1					
21	80455300	SOMUN	NUT	1					
22	6653322100	HORTUM KOMPLESİ	HOSE ASS'Y	2					
23	01890130	FLANŞ KOMPLESİ	FLANGE ASS'Y	1					
24	80203100	FLANŞ	FLANGE	1					
25	80201210	BURÇ	BUSHING	1					

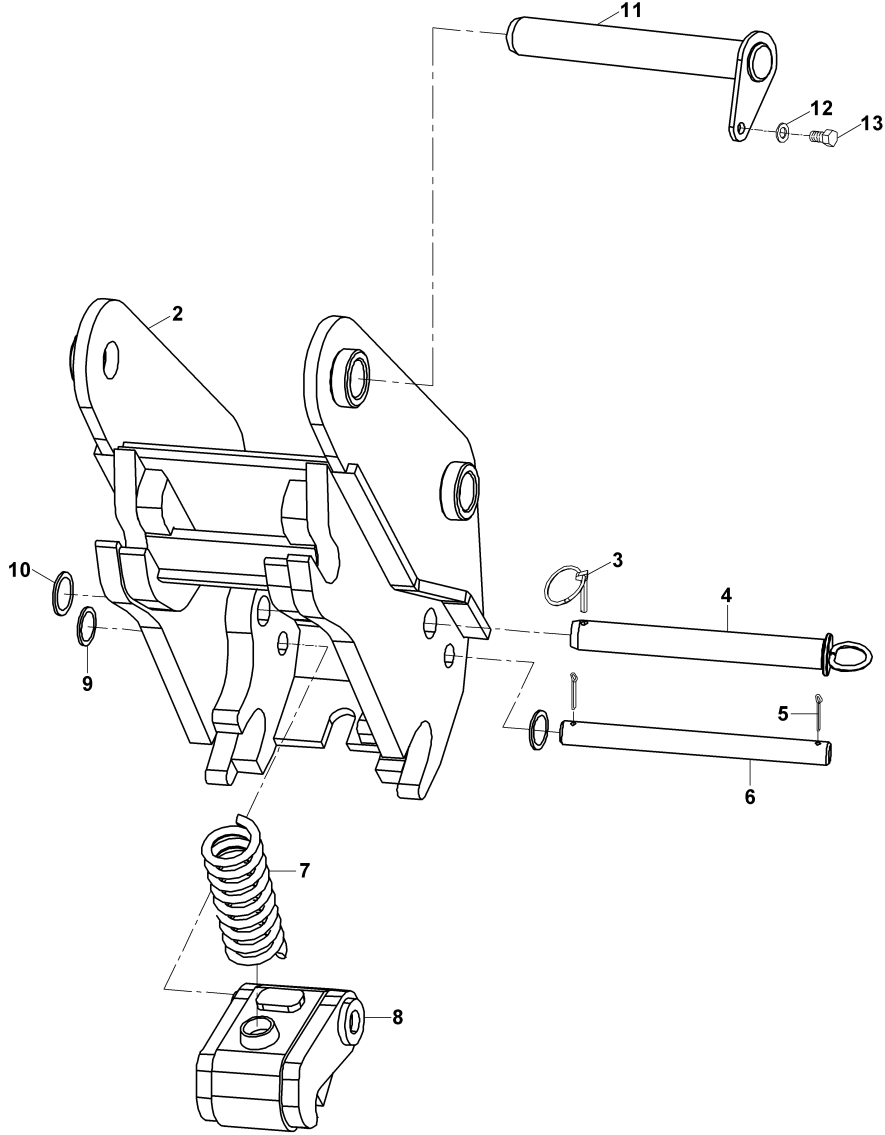
KEPÇE, KAZICI (TRAPEZ)
BUCKET, BACKHOE (TRAPEZE)



KEPÇE, KAZICI (TRAPEZ)
BUCKET, BACKHOE (TRAPEZE)

No	Parça No	Parça Adı	Adet	S.K.	Bas.S.N	Bit.S.N	Y.K.	Not
No	Part no	Description	Qty	SC	S/N from	S/N to	ICA	Note
1	06120200	KEPÇE K.M, KAZICI (TRAPEZ)	1					
		BUCKET W.A, BACKHOE (TRAPEZE)						

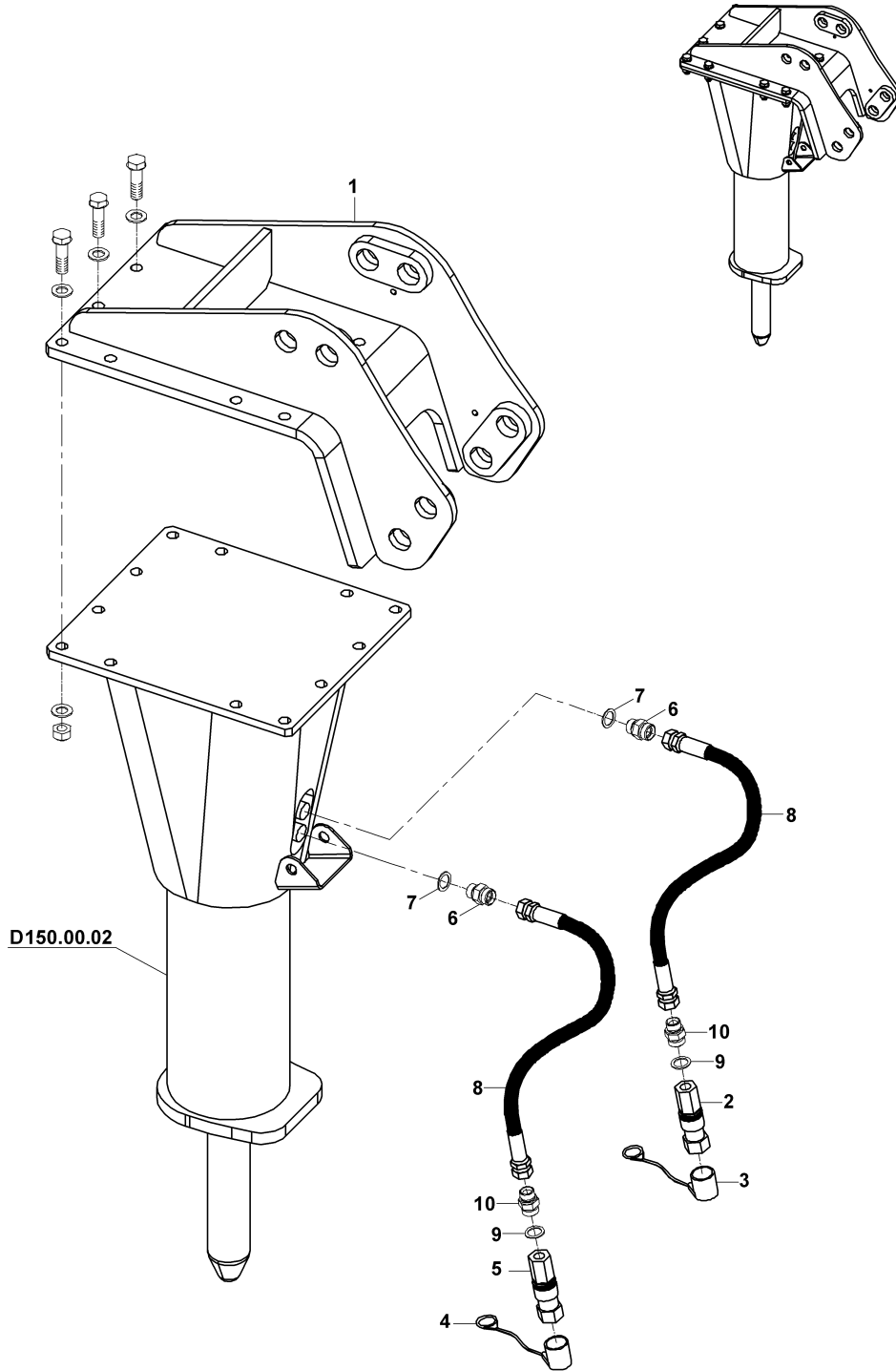
ÇABUK SÖK TAK, KAZICI (OP)
QUICK COUPLER, BACKHOE (OP)



**ÇABUK SÖK TAK, KAZICI (OP)
QUICK COUPLER, BACKHOE (OP)**

No	Parça No	Parça Adı	Adet	S.K.	Bas.S.N	Bit.S.N	Y.K.	Not
No	Part no	Description	Qty	SC	S/N from	S/N to	ICA	Note
0	06100101	ÇABUK SÖK-TAK KOMPLESİ	1					
2	06120012	ÇABUK SÖK-TAK K.K.	1					
3	N063006042	HALKALI PİM	1					
4	81102156	PİM K.K.	1					
5	N061006040	GUPİLYA	2					
6	80114048	PİM	1					
7	80709200	YAY	1					
8	06190817	MANDAL KOMPLESİ	1					
9	80500075	PUL	2					
10	80500076	PUL	1					
11	81101040	PİM K.K.	2					
12	N030810001	PUL	2					
13	N010232798	CIVATA	2					M12x20

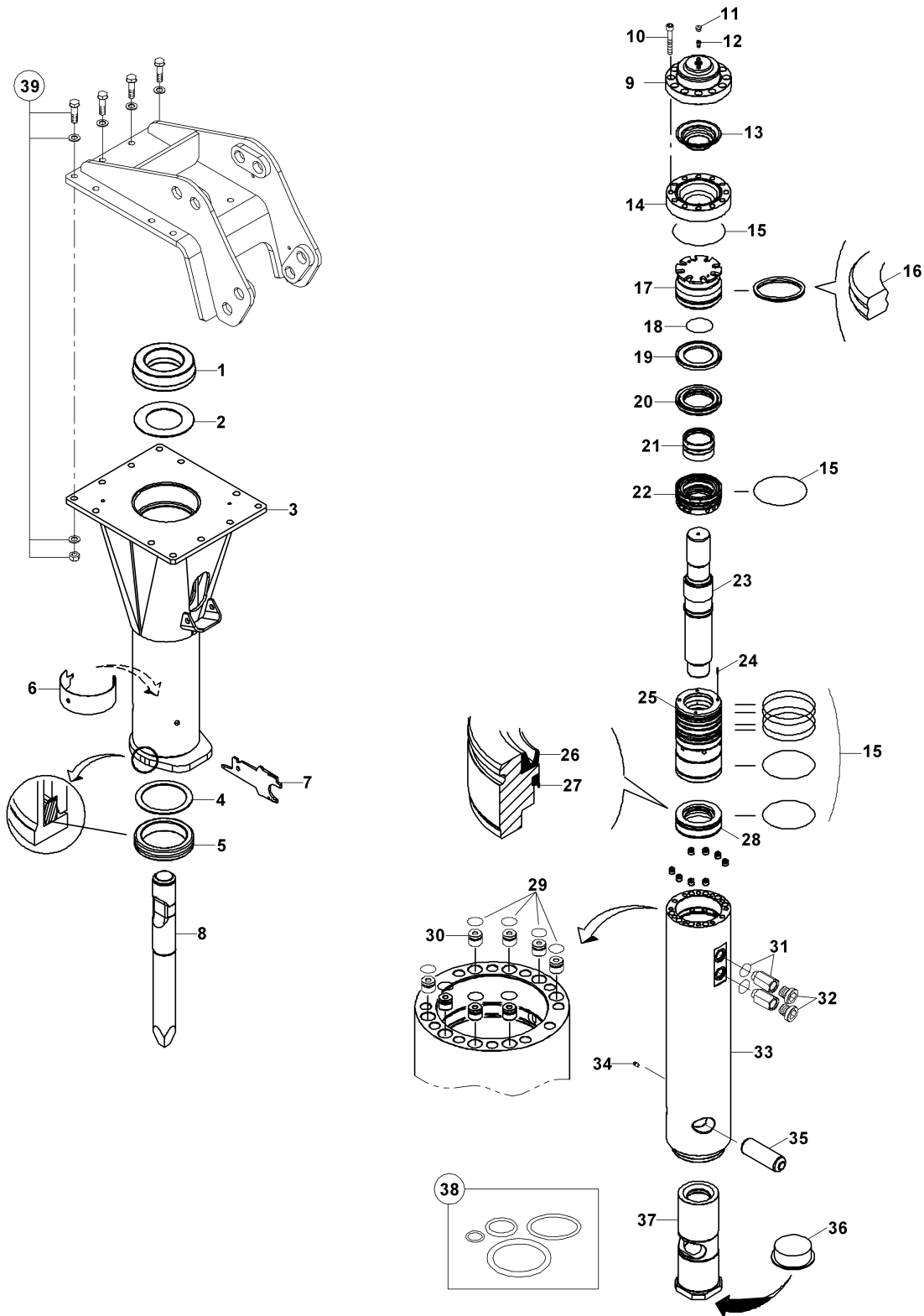
KIRICI MONTAJI (MONTABERT- SC 36) (OP)
BREAKER MOUNTING (MONTABERT- SC 36) (OP)



KIRICI MONTAJI (MONTABERT- SC 36) (OP)
BREAKER MOUNTING (MONTABERT- SC 36) (OP)

No	Parça No	Parça Adı	Description	Adet	S.K.	Bas.S.N	Bit.S.N	Y.K.	Not
No	Part no			Qty	SC	S/N from	S/N to	ICA	Note
0	01773008	KIRICI MONTAJI (MONTABERT SC36) (OP)	BREAKER MOUNTING (MONTABERT SC36) (OP)	1					
1	07520250	BRACKET	BRACKET	1					
2	N169900102	ÇABUK BAĞLANTI	QUICK COUPLING, MALE	1					
3	F9900350	KORUYUCU BAŞLIK	PROTECTION CAP	1					
4	F9900351	KORUYUCU BAŞLIK	PROTECTION CAP	1					
5	N169900101	ÇABUK BAĞLANTI	QUICK COUPLING, FEMALE	1					
6	80624100	NİPEL	ADAPTER	2					
7	N102002329	O-RİNG	O-RING	2					
8	66644M1190	HORTUM KOMPLESİ	HOSE ASS'Y	2					
9	N030000025	O-RİNGLİ PUL	WASHER	2					
10	80624230	NİPEL	ADAPTER	2					

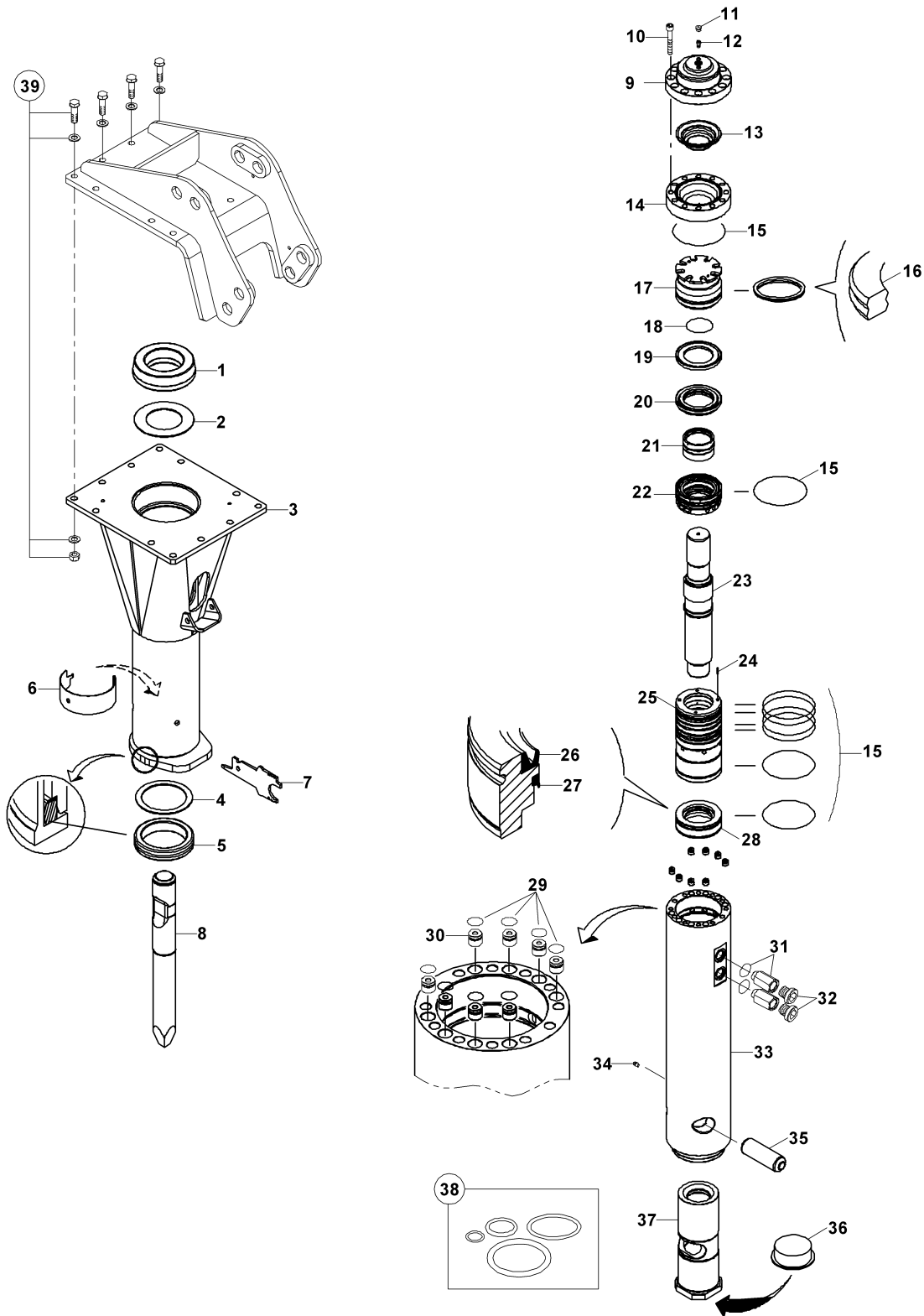
KIRICI KOMPLESİ (MONTABERT- SC 36) (OP) BREAKER ASSEMBLY (MONTABERT- SC 36) (OP)



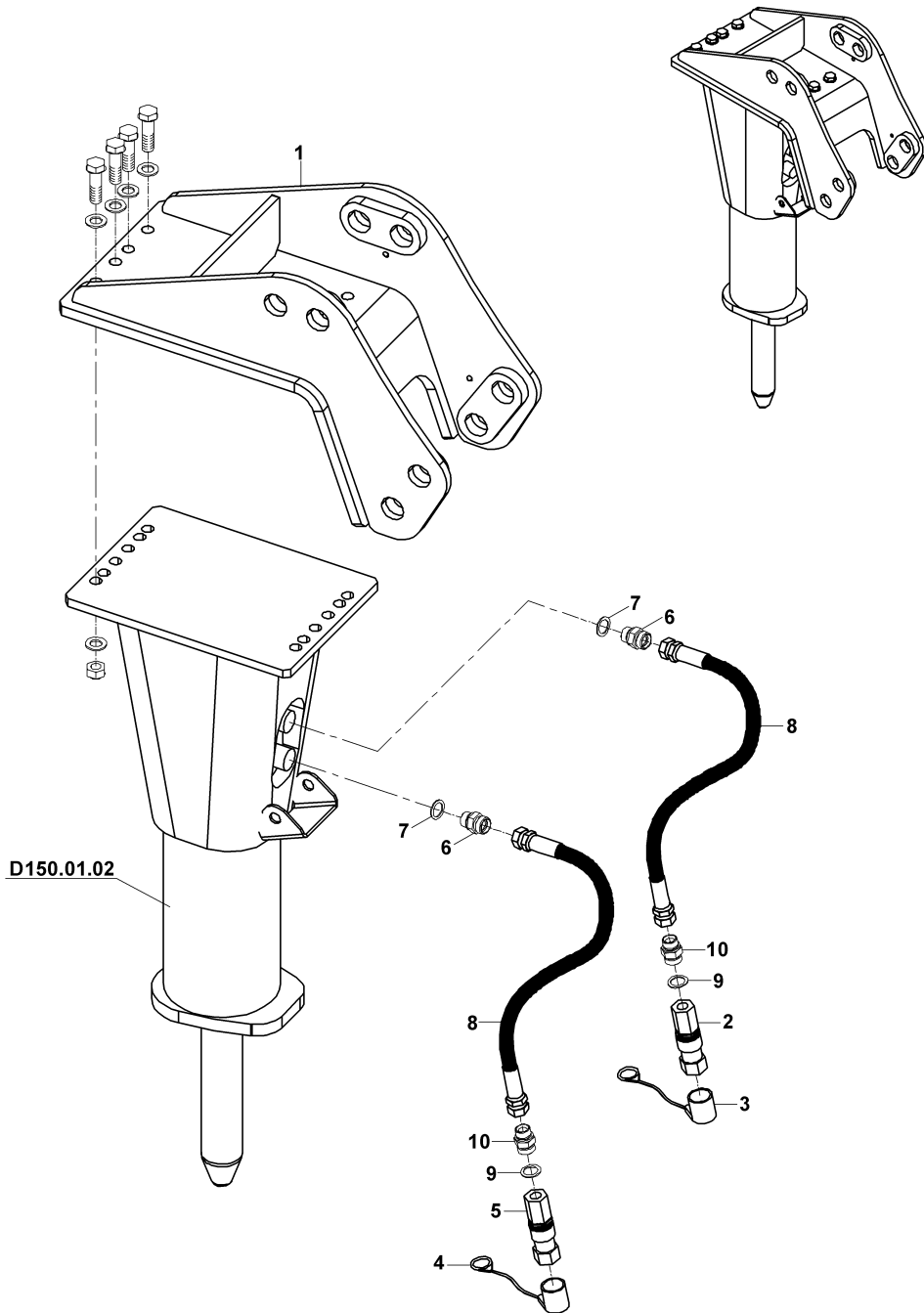
KIRICI KOMPLESİ (MONTABERT- SC 36) (OP)
BREAKER ASSEMBLY (MONTABERT- SC 36) (OP)

No	Parça No	Parça Adı	Adet	S.K.	Bas.S.N	Bit.S.N	Y.K.	Not
No	Part no	Description	Qty	SC	S/N from	S/N to	ICA	Note
0	F4504013	KIRICI KOMPLESİ (MONTABERT SC36) (OP)	1					
1	S4514506	SÖNÜMLEYİCİ TAKOZ, ÜST	1					
2	S4514468	PUL, ÜST	1					
3	S4514507	KIRICI ŞASİSİ K.K.	1					
4	S4514470	PUL, ALT	1					
5	S4514508	SÖNÜMLEYİCİ TAKOZ, ALT	1					
6	S4514503	YAYLI BİLEZİK, EMNİYET	1					
7	S4514485	KONTROL MASTARI	1					
8	F4504135	KIRICI UCU, SİVRİ	1					
8	F4504130	KIRICI UCU, KESKİ	1					
8	S4514500	KIRICI UCU, KESKİ	1					
8	S4514496	KIRICI UCU, KESKİ, GENİŞ UÇLU	1					
8	S4514498	KIRICI UCU, KESKİ, GENİŞ UÇLU	1					
8	S4514502	KIRICI UCU, KÖR	1					
9	S4514442	ÜST FLANŞ	1					
10	S4514434	CIVATA	12					
11	S4514430	TAPA, EMNİYET	1					
12	S4514432	GAZ BASMA VALFİ	1					
13	S4514486	DİYAFRAM	1					
14	S4514440	ALT FLANŞ	1					
15	S4514420	O-RİNG	8	(K2)				
16	S4514478	KEÇE	1	(K2)				
17	S4514460	ANA DAĞITICI	1					
18	S4514476	O-RİNG	1	(K2)				
19	S4514458	CONTA, KONİK	1					
20	S4514456	DAĞITICI, İÇ	1					
21	S4514454	BURÇ	1					
22	S4514452	GÖVDE, ÜST, KIRICI VALFİ	1					
23	S4514450	PİSTON	1					
24	S4514494	PİM, MERKEZLEME	1					
25	S4514448	GÖVDE, ALT, KIRICI VALFİ	1					
26	S4514474	KEÇE	1	(K2)				
27	S4514472	KEÇE	1	(K2)				
28	S4514446	KEÇE YATAĞI	1					
29	S4514418	O-RİNG	8	(K2)				
30	S4514480	SÖNÜMLEYİCİ	8					
31	S4514488	NİPEL	2					
32	S4514426	KÖR TAPA	2					
33	S4514444	SİLİNDİR	1					
34	S4514510	NİPEL, GRES	1					
35	S4515503	PİM	1					
36	S4514424	TAPA, KORUMA	1					
37	S4514462	BURÇ, TUTUCU, KIRICI UCU	1					
38	S4514410	O-RİNG TAKIMI	1	(K2)				

KIRICI KOMPLESİ (MONTABERT- SC 36) (OP) BREAKER ASSEMBLY (MONTABERT- SC 36) (OP)



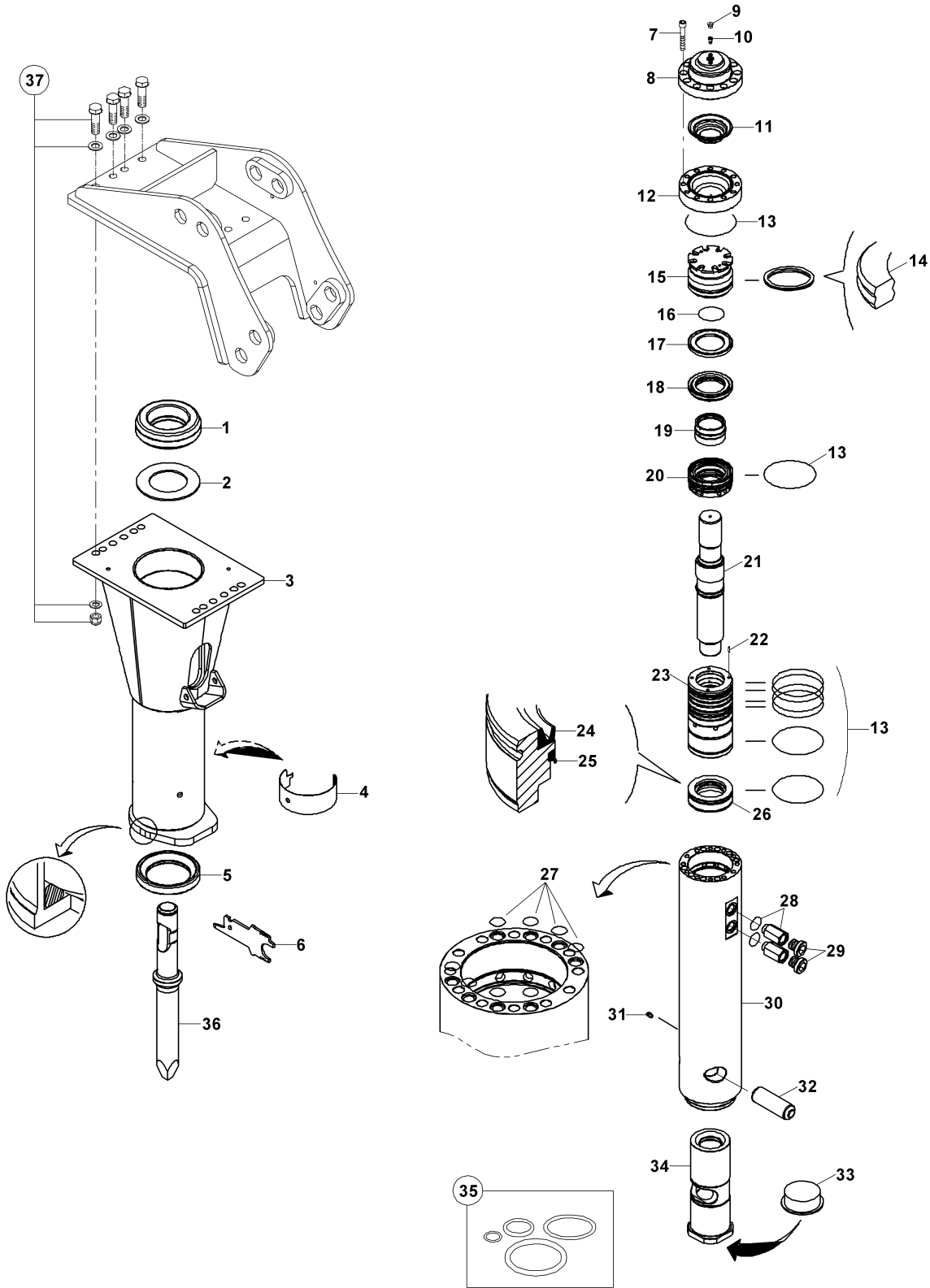
KIRICI MONTAJI (MONTABERT- SC 28) (OP)
BREAKER MOUNTING (MONTABERT- SC 28) (OP)



KIRICI MONTAJI (MONTABERT- SC 28) (OP)
BREAKER MOUNTING (MONTABERT- SC 28) (OP)

No	Parça No	Parça Adı	Description	Adet	S.K.	Bas.S.N	Bit.S.N	Y.K.	Not
No	Part no			Qty	SC	S/N from	S/N to	ICA	Note
0	01773009	KIRICI MONTAJI (MONTABERT SC28) (OP)	BREAKER MOUNTING (MONTABERT SC28) (OP)						
1	07520200	BRAKET	BRACKET	1					
2	N169900102	ÇABUK BAĞLANTI	QUICK COUPLING, MALE	1					
3	F9900350	KORUYUCU BAŞLIK	PROTECTION CAP	1					
4	F9900351	KORUYUCU BAŞLIK	PROTECTION CAP	1					
5	N169900101	ÇABUK BAĞLANTI	QUICK COUPLING, FEMALE	1					
6	80624100	NİPEL	ADAPTER	2					
7	N102002329	O-RİNG	O-RING	2					
8	66644M1190	HORTUM KOMPLESİ	HOSE ASS'Y	2					
9	N030000025	O-RİNGLİ PUL	WASHER	2					
10	80624230	NİPEL	ADAPTER	2					

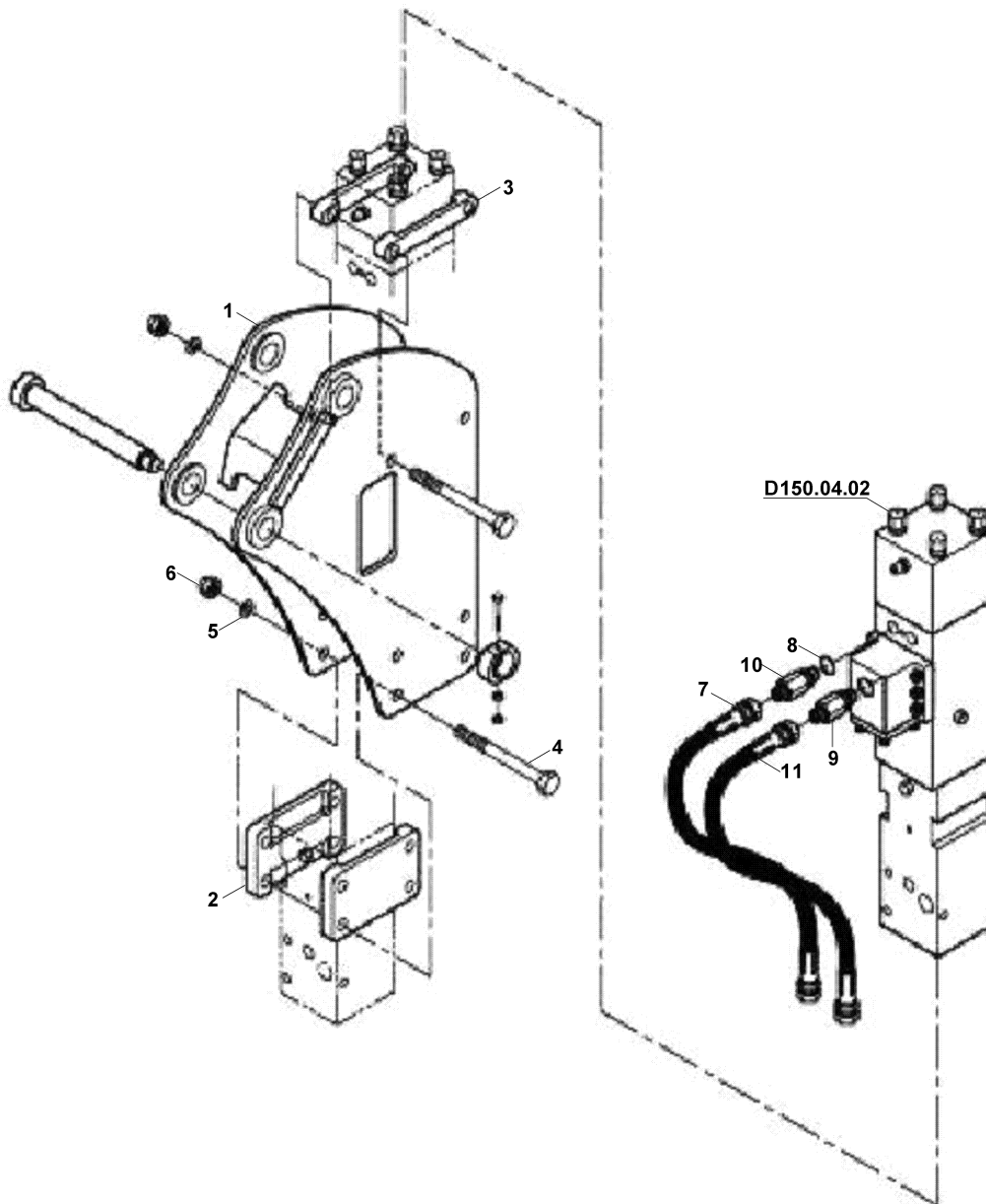
KIRICI KOMPLESİ (MONTABERT- SC 28) (OP) BREAKER ASSEMBLY (MONTABERT- SC 28) (OP)



KIRICI KOMPLESİ (MONTABERT- SC 28) (OP)
BREAKER ASSEMBLY (MONTABERT- SC 28) (OP)

No	Parça No	Parça Adı	Adet	S.K.	Bas.S.N	Bit.S.N	Y.K.	Not
No	Part no	Description	Qty	SC	S/N from	S/N to	ICA	Note
0	F4504015	KIRICI KOMPLESİ (MONTABERT SC28)	1					
1	S4514332	SÖNÜMLEYİCİ TAKOZ, ÜST	1					
2	S4514333	PUL, ÜST	1					
3	S4514516	KIRICI ŞASISI K.K.	1					
4	S4514513	YAYLI BİLEZİK, EMNİYET	1					
5	S4514331	SÖNÜMLEYİCİ TAKOZ, ALT	1					
6	S4514514	KONTROL MASTARI	1					
7	S4514434	CIVATA	12					
8	S4514318	ÜST FLANŞ	1					
9	S4514430	TAPA, EMNİYET	1					
10	S4514432	GAZ BASMA VALFİ	1					
11	S4514358	DİYAFRAM	1					
12	S4514317	ALT FLANŞ	1					
13	S4514172	O-RİNG	8					K1
14	S4514354	KEÇE	1					K2
15	S4515343	PİSTON KAPAĞI	1					
16	S4514326	KEÇE	1					K2
17	S4515302	CONTA, KONİK	1					
18	S4514346	DAĞITICI, İÇ	1					
19	S4514323	DAĞITICI	1					
20	S4514344	DAĞITICI KUTUSU	1					
21	S4514327	PİSTON	1					
22	S4514316	PİM, MERKEZLEME	1					
23	S4514342	GÖVDE, ALT, KIRICI VALFİ	1					
24	S4514322	KEÇE	1					K2
25	S4514313	KEÇE	1					K2
26	S4514320	KEÇE YATAĞI	1					
27	S4514117	KEÇE	8					K2
28	S4514356	NİPEL	2					
29	S4514426	KÖR TAPA	2					
30	S4514319	SİLİNDİR	1					
31	S4514510	NİPEL, GRES	1					
32	S4515353	PİM	1					
33	S4514312	TAPA, KORUMA	1					
34	S4514328	BURÇ, TUTUCU, KIRICI UCU	1					
35	S4514410	O-RİNG TAKIMI	1					(K2)
36	F4504135	KIRICI UCU, SİVRİ	1					
36	F4504130	KIRICI UCU, KESKİ	1					
36	S4514500	KIRICI UCU, KESKİ	1					
36	S4514496	KIRICI UCU, KESKİ, GENİŞ UÇLU	1					
36	S4514498	KIRICI UCU, KESKİ, GENİŞ UÇLU	1					
36	S4514502	KIRICI UCU, KÖR	1					
37	S4514520	KİT, CIVATA	1					

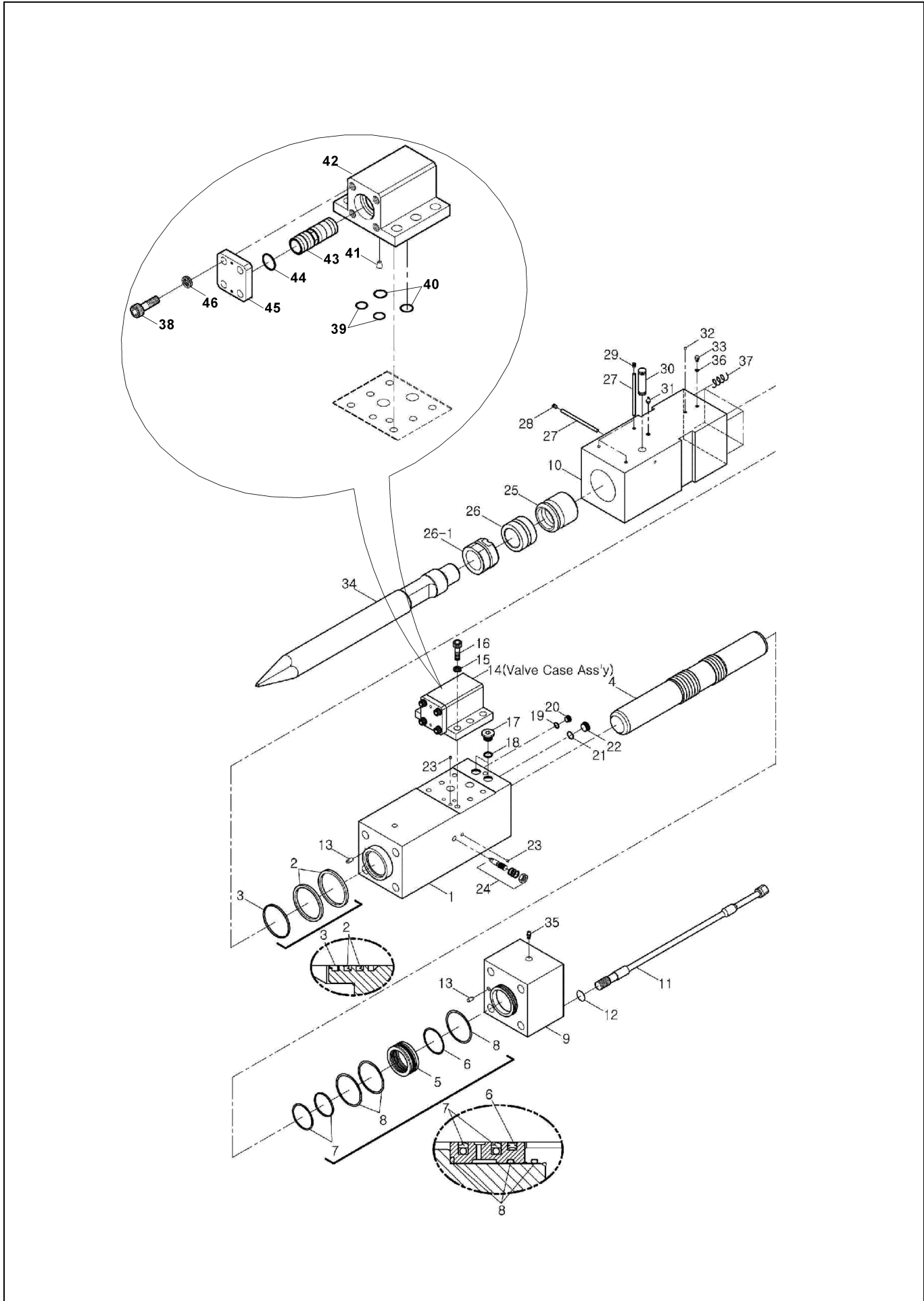
KIRICI MONTAJI (DEMO DMB50) (OP)
BREAKER MOUNTING (DEMO DMB50) (OP)



KIRICI MONTAJI (DEMO DMB50) (OP)
BREAKER MOUNTING (DEMO DMB50) (OP)

No	Parça No	Parça Adı	Description	Adet	S.K.	Bas.S.N	Bit.S.N	Y.K.	Not
No	Part no			Qty	SC	S/N from	S/N to	ICA	Note
0	01773006	KIRICI MONTAJI , DEMO	BREAKER MOUNTING, DEMO	1					
1	S4515396	YAN GÖVDE K.K.	SIDE BRACKET	1					
2	S4515494	BAĞLANTI PLAKASI	RETAINER PLATE	2					
3	S4515496	BAĞLANTI PLAKASI	RETAINER PLATE	2					
4	S4515047	CIVATA	BOLT	6					M22x250
5	S4515344	PUL	WASHER	6					
6	S4515030	SOMUN	NUT	6					M22
7	66533M1180	HORTUM KOMPLESİ	HOSE ASS'Y	1					
8	N030000025	O-RİNGLİ PUL	WASHER	2					
9	80624230	NİPEL	ADAPTER	1					
10	80624126	NİPEL	ADAPTER	1					
11	66644M1180	HORTUM KOMPLESİ	HOSE ASS'Y	1					

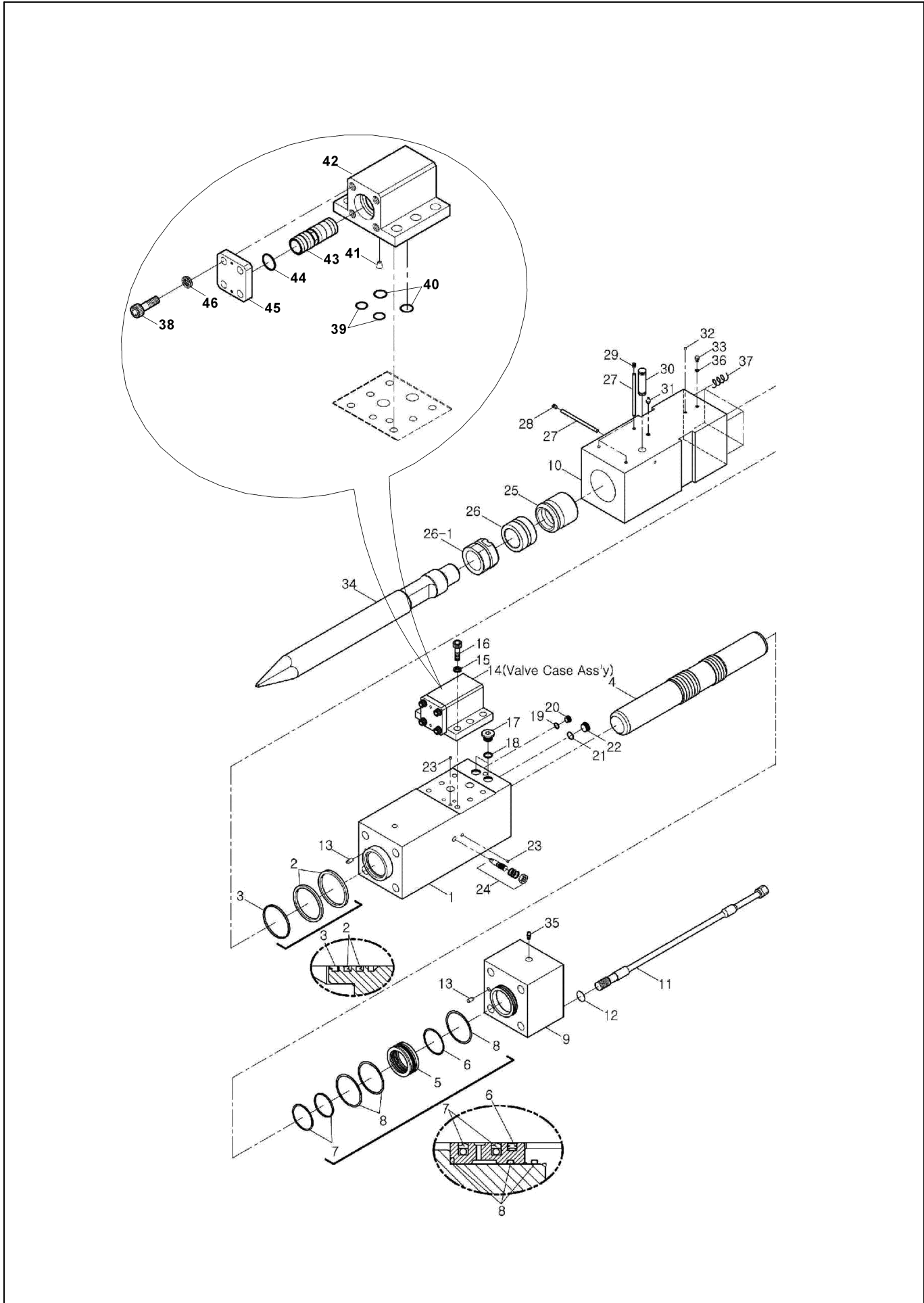
KIRICI KOMPLESİ (DEMO DMB50) (OP)
BREAKER ASSEMBLY (DEMO DMB50) (OP)



KIRICI KOMPLESİ (DEMO DMB50) (OP)
BREAKER ASSEMBLY (DEMO DMB50) (OP)

No	Parça No	Parça Adı	Adet	S.K.	Bas.S.N	Bit.S.N	Y.K.	Not
No	Part no	Description	Qty	SC	S/N from	S/N to	ICA	Note
0	F4504305	KIRICI KOMPLESİ, DEMO	1					
1	S4515350	SİLİNDİR	1					
2	S4515402	KEÇE	2	K2				
3	S4515403	TOZ KEÇESİ	1	K2				
4	S4515421	PİSTON	1					
5	S4515422	BURÇ, SİLİNDİR	1					
6	S4515407	KEÇE, DÖRTGEN	1	K2				
7	S4515408	KEÇE TAKIMI	2	K2				
8	S4515401	O-RİNG	3	K2				
9	S4515355	GÖVDE, KIRICI KAPAK	1					
10	S4515360	GÖVDE, KIRICI, ÖN	1					
11	S4515425	SAPLAMA	4	K4				
12	S4515428	PUL	4	K4				
13	S4514967	MERKEZLEME PİMİ	2					
14	S4515380	VALF KUTUSU KOMPLESİ	1					
15	S4515470	PUL	6					
16	S4515480	CIVATA	6					
17	S4515466	TAPA	2					
18	S4514936	O-RİNG	2					
19	S4514939	O-RİNG	1					
20	S4515018	TAPA	1					
21	S4514911	O-RİNG	1					
22	S4515017	TAPA	1					
23	S4515465	TAPA	2					
24	S4515035	VURUŞ AYARLAYICI	1					
25	S4515455	BASKI BURCU	1					
26	S4515307	ÖN KAPAK	1					
26-1	S4515450	ÖN KAPAK	1					
27	S4515460	PİM	4					
28	S4515096	TAPA	1					
29	S4515086	TAPA	3					
30	S4515490	PİM, KIRICI UCU	1					
31	S4515020	NİPEL, GRES	1					
32	S4515015	TAPA	1					
33	S4515418	KÖR TAPA	1					
34	S4515435	KIRICI UCU, SİVRİ	1					
34	S4515440	KIRICI UCU, KESKİ	1					
34	S4515445	KIRICI UCU, KONİK	1					
34	S4515430	KIRICI UCU, KÖR	1					
35	S4515502	GAZ BASMA VALFİ	1					
36	S4514927	O-RİNG	1					
37	S4515505	HELİKOİL	4					
38	S4515480	CIVATA	4					
39	S4514929	O-RİNG	2					
40	S4515475	O-RİNG	2	K3				
41	S4515501	TAPA	1					
42	S4515366	VALF KUTUSU	1					

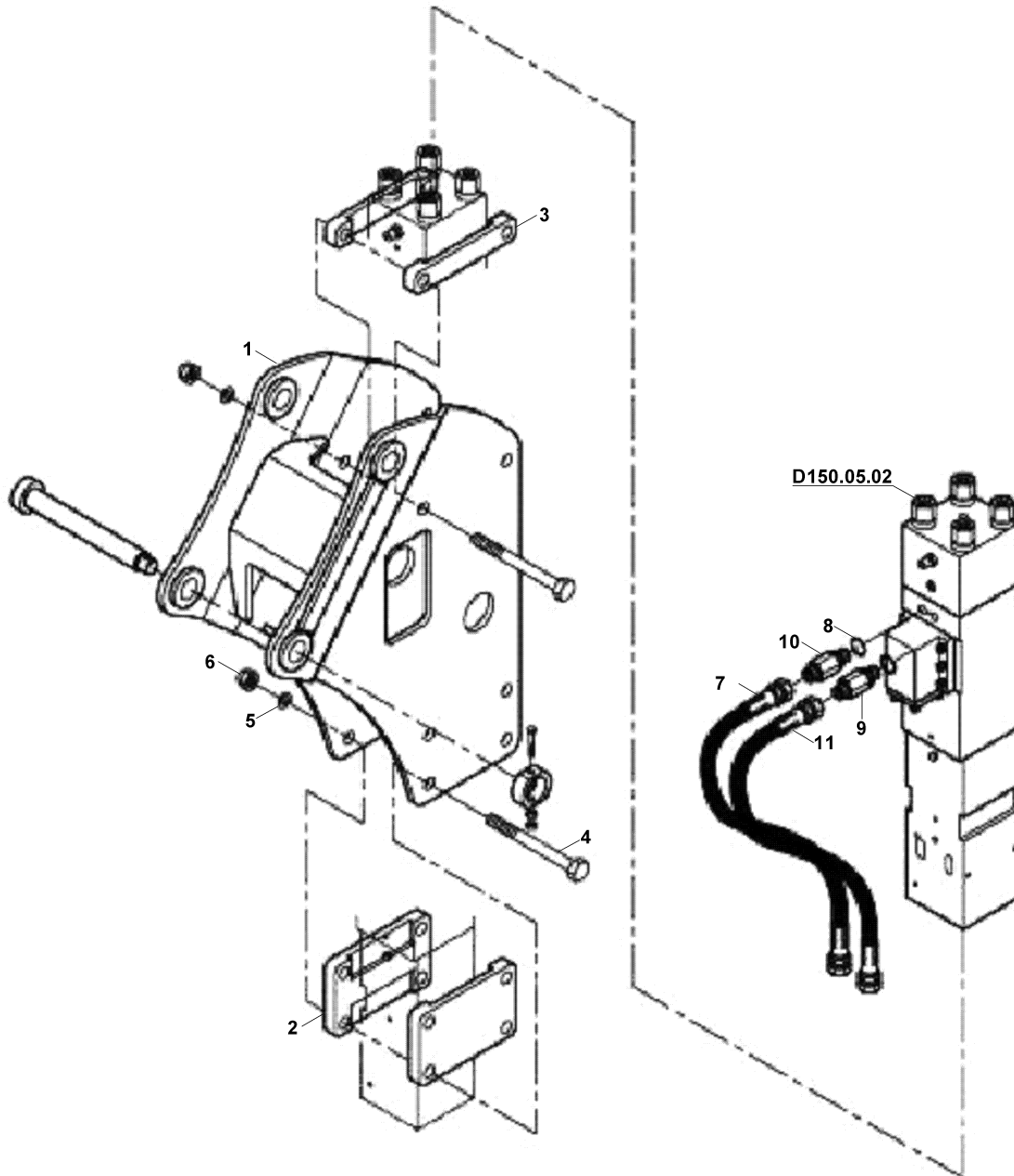
KIRICI KOMPLESİ (DEMO DMB50) (OP)
BREAKER ASSEMBLY (DEMO DMB50) (OP)



KIRICI KOMPLESİ (DEMO DMB50) (OP)
BREAKER ASSEMBLY (DEMO DMB50) (OP)

No	Parça No	Parça Adı	Description	Adet	S.K.	Bas.S.N	Bit.S.N	Y.K.	Not
No	Part no			Qty	SC	S/N from	S/N to	ICA	Note
43	S4515365	VALF	VALVE	1					
44	S4515404	O-RİNG	O-RING	1	K3				
45	S4515370	KAPAK SACI, VALF	PLATE, VALVE	1					
46	S4515470	PUL	WASHER, NORD-LOCK	4					
K1	S4515384	KEÇE TAKIMI	SEAL KIT, ALL	1	(K1),				
K2	S4515385	KEÇE TAKIMI, SİLİNDİR	SEAL KIT, CYLINDER	1	(K2)				
K3	S4515485	KEÇE TAKIMI, VALF GÖVDESİ	SEAL KIT, VALVE CASE	1	(K3)				
K4	S4515492	SAPLAMA TAKIMI	THROUGH BOLT SET	1	(K4)				

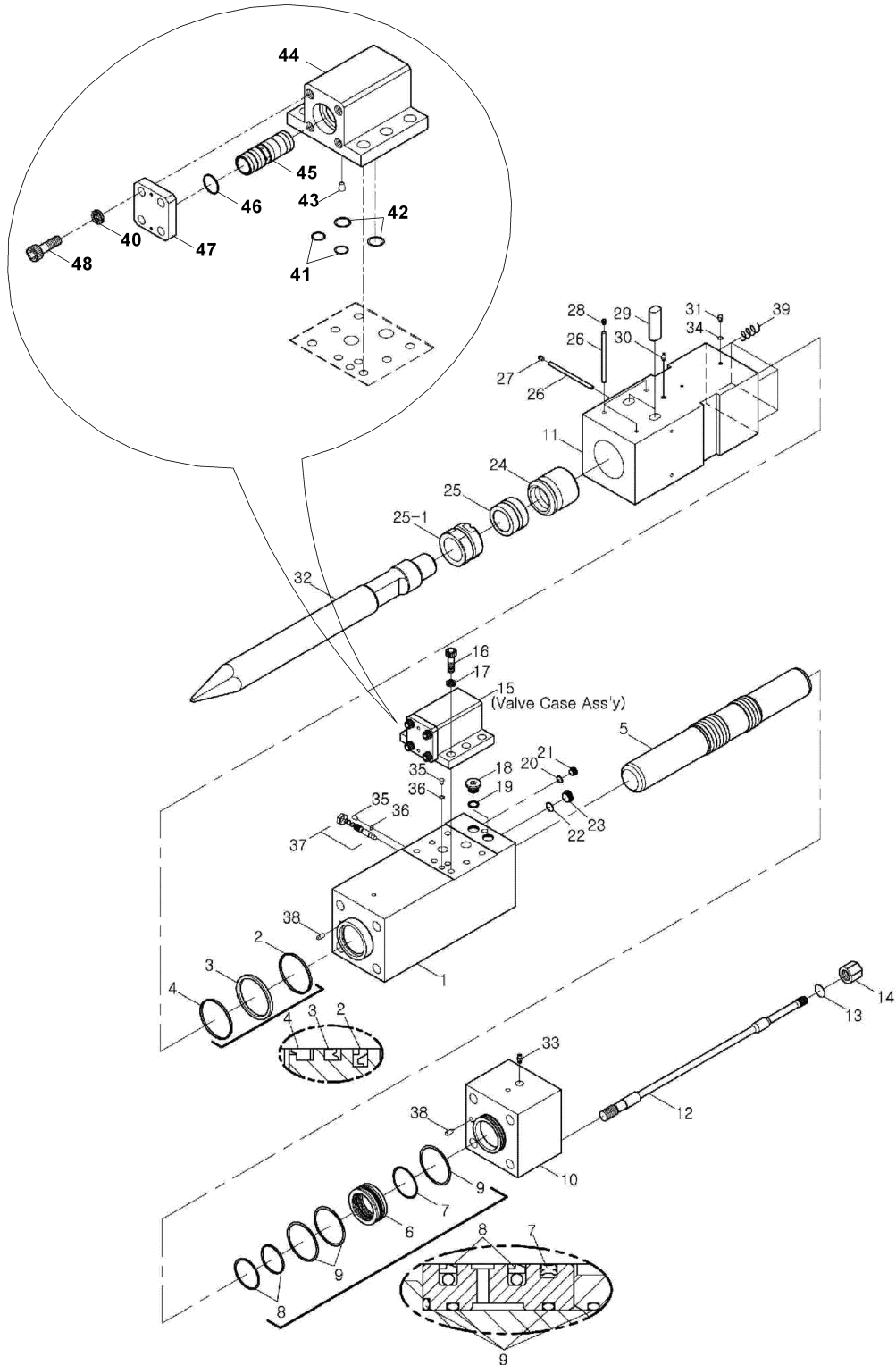
KIRICI MONTAJI (DEMO DMB70) (OP)
BREAKER MOUNTING (DEMO DMB70) (OP)



KIRICI MONTAJI (DEMO DMB70) (OP)
BREAKER MOUNTING (DEMO DMB70) (OP)

No	Parça No	Parça Adı	Description	Adet	S.K.	Bas.S.N	Bit.S.N	Y.K.	Not
No	Part no			Qty	SC	S/N from	S/N to	ICA	Note
0	01773007	KIRICI MONTAJI (ALICON B70) (OP)	BREAKER MOUNTING (ALICON B70) (OP)	1					
1	S4515041	YAN GÖVDE K.K.	SIDE BRACKET	1					
2	S4515494	BAĞLANTI PLAKASI	RETAINER PLATE	2					
3	S4515043	BAĞLANTI PLAKASI	RETAINER PLATE	2					
4	S4515049	CIVATA	BOLT	6					M24x250
5	S4515220	PUL	WASHER	6					
6	S4515046	SOMUN	NUT	6					M24
7	66533M1180	HORTUM KOMPLESİ	HOSE ASS'Y	1					
8	N030000025	O-RİNGLİ PUL	WASHER	2					
9	80624230	NİPEL	ADAPTER	1					
10	80624126	NİPEL	ADAPTER	1					
11	66644M1180	HORTUM KOMPLESİ	HOSE ASS'Y	1					

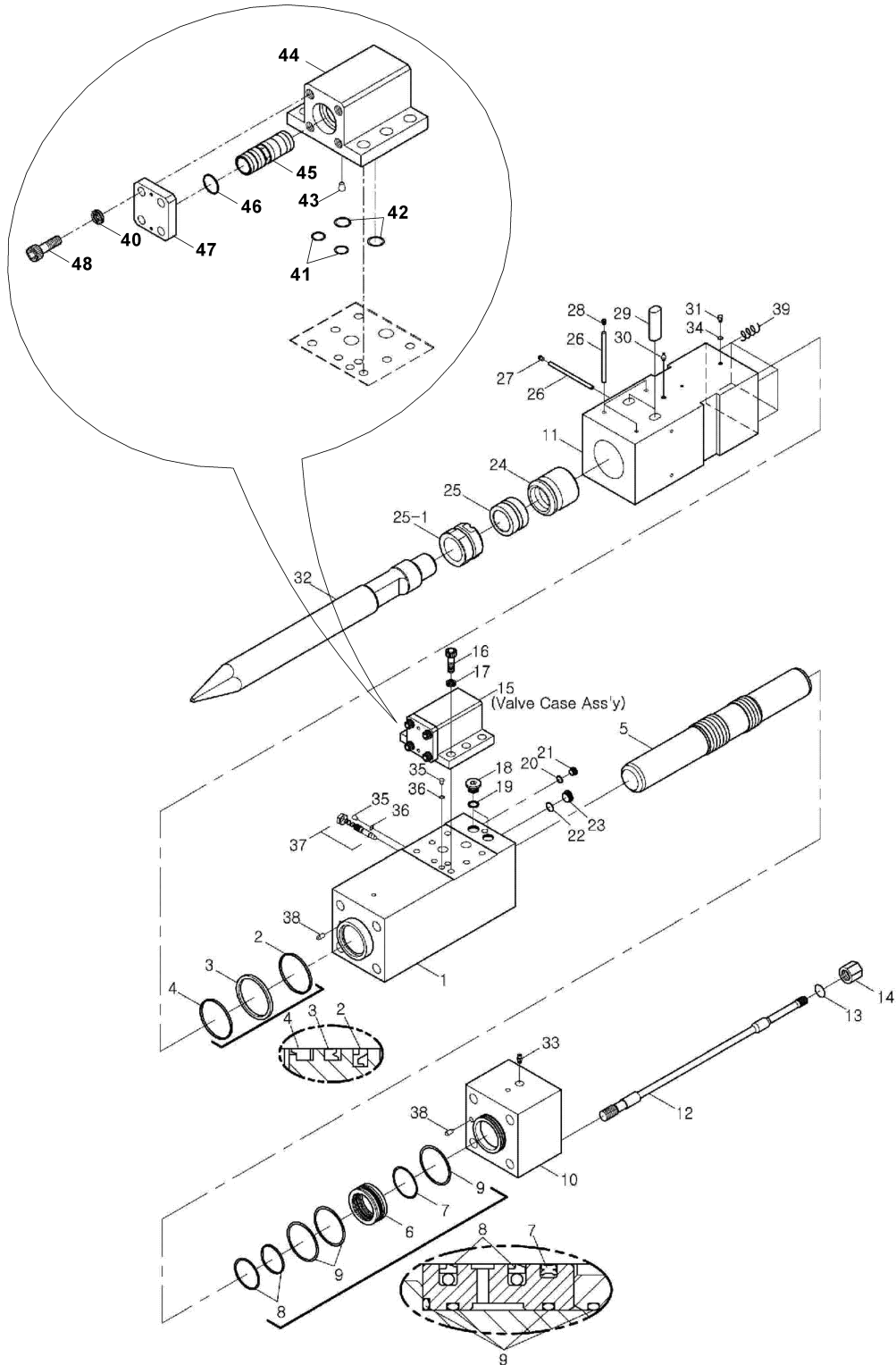
KIRICI KOMPLESİ (DEMO DMB70) (OP)
BREAKER ASSEMBLY (DEMO DMB70) (OP)



KIRICI KOMPLESİ (DEMO DMB70) (OP)
BREAKER ASSEMBLY (DEMO DMB70) (OP)

No	Parça No	Parça Adı	Description	Adet	S.K.	Bas.S.N	Bit.S.N	Y.K.	Not
No	Part no			Qty	SC	S/N from	S/N to	ICA	Note
0	F4504370	KIRICI KOMPLESİ (ALICON B70)	BREAKER ASSEMBLY (ALICON B70)	1					
1	S4515522	SİLİNDİR	CYLINDER	1					
2	S4514947	TAMPON KEÇE	RING, BUFFER	1					
3	S4514943	KEÇE	U-PACKING	2					
4	S4514945	TOZ KEÇESİ	SEAL DUST	1					
5	S4514969	PİSTON	PISTON	1					
6	S4515518	BURÇ, SİLİNDİR	BUSHING, CYLINDER	1					
7	S4515410	KEÇE, DÖRTGEN	QUAD RING	1	K2				
8	S4515411	KEÇE TAKIMI	SEAL STEP	2	K2				
9	S4514941	O-RİNG	O-RING	4					
10	S4515523	GÖVDE, KIRICI KAPAK	CAP HEAD	1					
11	S4515524	GÖVDE, KIRICI, ÖN	FRONT HEAD	1					
12	S4515516	SAPLAMA	THROUGH BOLT	4	K4				
13	S4515028	PUL	WASHER, FOR T BOLT	4					
14	S4515517	SOMUN	NUT	4	K4				
15	S4515529	VALF KUTUSU KOMPLESİ	VALVE CASE ASSY	1					
16	S4515555	CIVATA	BOLT	6					
17	S4515470	PUL	WASHER, NORD-LOCK	6					
18	S4515466	TAPA	PLUG, HEX. SOCKET	2					
19	S4514936	O-RİNG	O-RING	2					
20	S4514929	O-RİNG	O-RING	1					
21	S4515016	TAPA	PLUG, HEX. SOCKET	1					
22	S4514939	O-RİNG	O-RING	1					
23	S4515018	TAPA	PLUG, HEX. SOCKET	1					
24	S4514992	BASKI BURCU	RING THRUST	1					
25	S4515541	BURÇ	FRONT COVER	1					
25-1	S4515545	ÖN KAPAK	FRONT COVER	1					
26	S4514944	PİM	PIN STOP	5					
27	S4515096	TAPA	PLUG, SCREW+RUBBER	2					
28	S4515086	TAPA	PLUG, SCREW+RUBBER	3					
29	S4515521	PİM, KIRICI UCU	PIN CHISEL	2					
30	S4515020	NİPEL, GRES	GREASE NIPPLE	1					
31	S4515018	TAPA	PLUG, HEX. SOCKET	2					
32	F4501420	KIRICI UCU, SİVRİ	CHISEL, MOIL POINT	1	OP				
32	F4501425	KIRICI UCU, KESKİ	CHISEL, FLAT	1	OP				
32	F4501430	KIRICI UCU, KONİK	CHISEL, CONICAL	1					
32	F4501432	KIRICI UCU, KÖR	CHISEL, BLUNT	1					
33	S4515502	GAZ BASMA VALFİ	SCREW COUPLING	1					
34	S4514927	O-RİNG	O-RING	1					
35	S4515017	TAPA	PLUG, HEX. SOCKET	2					
36	S4514911	O-RİNG	O-RING	2					
37	S4515035	VURUŞ AYARLAYICI	ADJUST ASSY	1					
38	S4514967	MERKEZLEME PİMİ	KNOCK PIN	2					
39	S4515525	HELİKOİL	HELI COIL	4					
40	S4515480	CIVATA	BOLT	4					
41	S4514933	O-RİNG	O-RING	2					

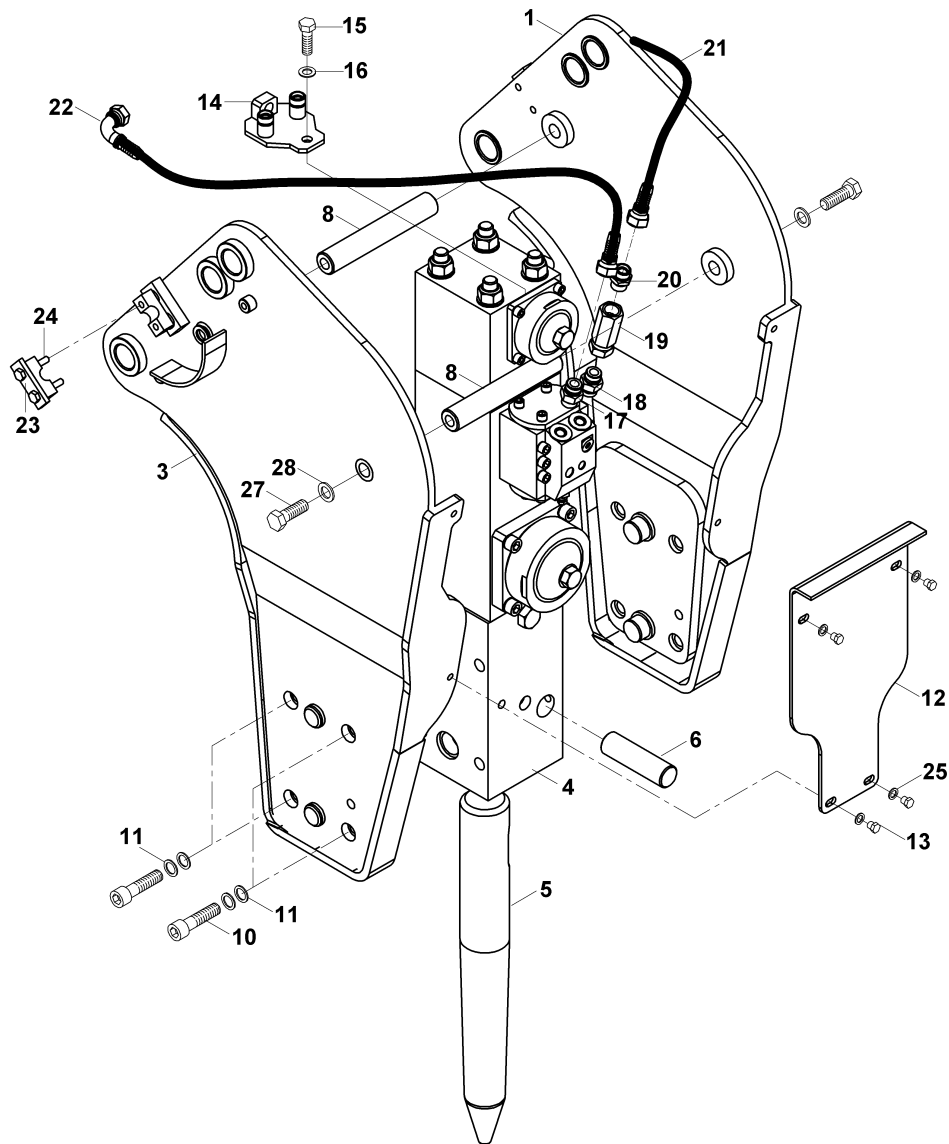
KIRICI KOMPLESİ (DEMO DMB70) (OP)
BREAKER ASSEMBLY (DEMO DMB70) (OP)



KIRICI KOMPLESİ (DEMO DMB70) (OP)
BREAKER ASSEMBLY (DEMO DMB70) (OP)

No	Parça No	Parça Adı	Description	Adet	S.K.	Bas.S.N	Bit.S.N	Y.K.	Not
No	Part no			Qty	SC	S/N from	S/N to	ICA	Note
42	S4514937	O-RİNG	O-RING	2					
43	S4515010	TAPA	PLUG	1					
44	S4515519	VALF KUTUSU	CASE, VALVE	1					
45	S4514993	VALF	VALVE	1					
46	S4514938	O-RİNG	O-RING	1					
47	S4515565	KAPAK SACI, VALF	PLATE, VALVE	1					
48	S4515470	PUL	WASHER, NORD-LOCK	4					
K1	S4515526	KEÇE TAKIMI	SEAL KIT, ALL	1	(K1)				
K2	S4515551	KEÇE TAKIMI, SİLİNDİR	SEAL KIT, CYLINDER	1	(K2)				
K3	S4515072	KEÇE TAKIMI, VALF GÖVDESİ	SEAL KIT, VALVE CASE	1	(K3)				
K4	S4515560	SAPLAMA TAKIMI	THROUGH BOLT SET	1	(K4)				

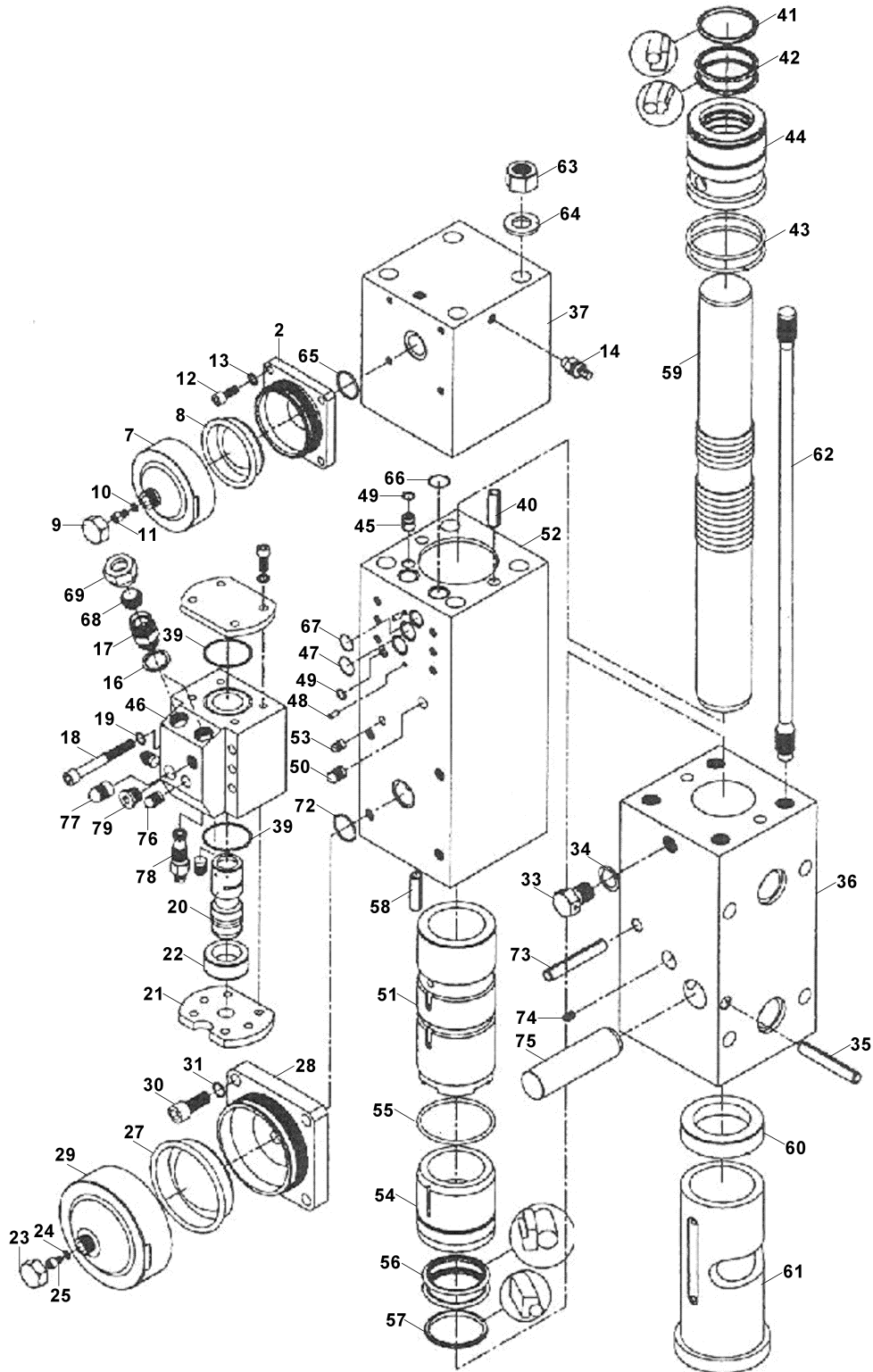
KIRICI MONTAJI (LIFTON LH 360) (OP)
BREAKER MOUNTING (LIFTON LH 360) (OP)



KIRICI MONTAJI (LIFTON LH 360) (OP)
BREAKER MOUNTING (LIFTON LH 360) (OP)

No	Parça No	Parça Adı	Adet	S.K.	Bas.S.N	Bit.S.N	Y.K.	Not
No	Part no	Description	Qty	SC	S/N from	S/N to	ICA	Note
0	07500021	KIRICI KOMPLESİ, LIFTON, LH 360	1					
1	09800041	YAN GÖVDE K.K., SOL	1					
3	09800051	YAN GÖVDE K.K., SAĞ	1					
4	F4501030	KIRICI KOMPLESİ (LIFTON, LH 360) (OP)	1					
5	F4501060	KIRICI UCU, SİVRİ	1					
5	F4501065	KIRICI UCU, KESKİ	1					
6	80101015	PİM, KIRICI UCU	1					
8	02021278	MESAFE BORUSU	2					
10	N015872090	CIVATA	8					M20x80
11	S2700001	PUL, ÖZEL	16					
12	02011040	MUHAFAZA SACI	1					
13	N010222846	CIVATA	4					M12x30
14	09890065	BRAKET K.K., HORTUM TUTUCU	1					NB+KT+AKV, TB+KT, NB+KT+BU+ AKV
14	09890066	BRAKET K.K., HORTUM TUTUCU	1					NB+KT, EKKV
15	N010223602	CIVATA	1					M16x50
16	N031170029	PUL	1					M16
17	80624226	NİPEL	1					
18	80624226	NİPEL	1					NB+KT+AKV
18	80624227	NİPEL	1					NB+KT+EKKV
18	80603127	NİPEL	1					TB+KT, NB+KT+ BU+AKV
19	F1890500	ÇEK VALF, 3/4"	1					TB+KT, NB+KT+ BU+AKV
20	80624126	NİPEL	1					TB+KT, NB+KT+ BU+AKV
21	6664426190	HORTUM KOMPLESİ	1					NB+KT+AKV, NB+KT+BU+ AKV
21	6664426210	HORTUM KOMPLESİ	1					TB+KT
22	6653326190	HORTUM KOMPLESİ	1					NB+KT+AKV, NB+KT+BU+ AKV
22	6653326210	HORTUM KOMPLESİ	1					TB+KT
23	N072022000	KELEPÇE	2					
24	N010370710	CIVATA	2					M10x75
25	N032500016	PUL	4					M12
27	N010381754	CIVATA	4					M20x60
28	N033000080	PUL	4					M20

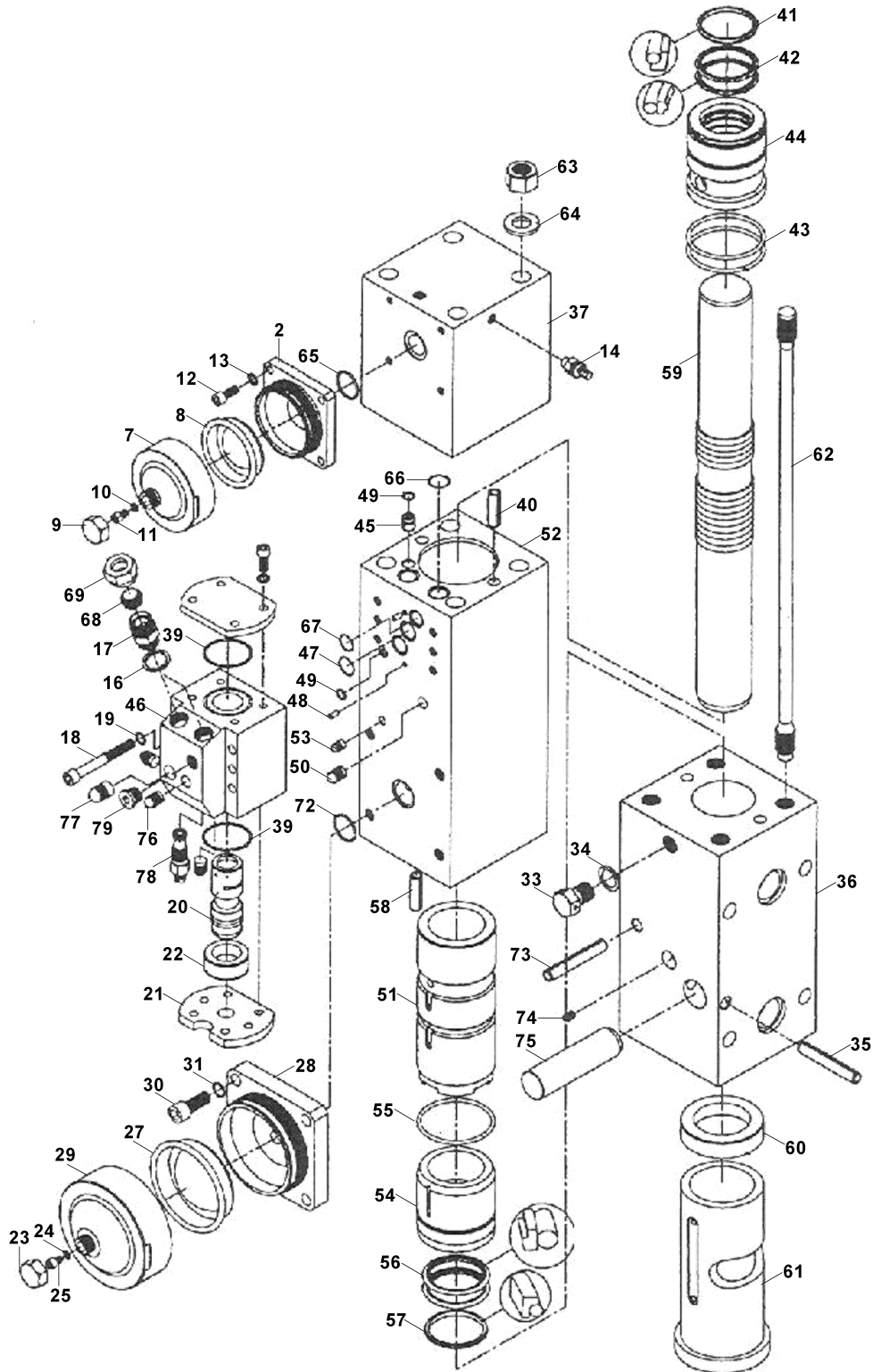
KIRICI KOMPLESİ (LIFTON LH 360) (OP) BREAKER ASSEMBLY (LIFTON LH 360) (OP)



KIRICI KOMPLESİ (LIFTON LH 360) (OP)
BREAKER ASSEMBLY (LIFTON LH 360) (OP)

No	Parça No	Parça Adı	Description	Adet	S.K.	Bas.S.N	Bit.S.N	Y.K.	Not
No	Part no			Qty	SC	S/N from	S/N to	ICA	Note
0	F4501030	KIRICI KOMPLESİ (LIFTON, LH 360) (OP)	BREAKER ASSEMBLY (LIFTON, LH 360) (OP)	1					
2	S4501010	AKÜMÜLATÖR GÖVDESİ	ACCUMULATOR BODY	1	K2				
7	S4501015	AKÜMÜLATÖR KAPAĞI	ACCUMULATOR COVER	1	K2				
8	S4501020	DİYAFRAM	DIAPHRAGM	1	K2				
9	S4501025	SOMUN	NUT	1	K1				
10	S4501030	PUL, SINDIRMAZLIK	SEAL RING	1	K1				
11	S4501035	GAZ BASMA SUPABI	GAS CHARGING VALVE	1	K1				
12	S4501040	CIVATA	SCREW M10x25	4					
13	S4501045	PUL	WASHER	4					
14	S4501050	HAVA VALFİ KOMPLESİ	AIR VALVE ASS'Y	1					
16	S4501060	PUL, BAKIR	SEAL RING	2					
17	S4501065	NİPEL	ADAPTER	2					
18	S4501070	CIVATA	SCREW	6					
19	S4501075	PUL	WASHER	6					
20	S4501080	SÜRGÜ, KIRICI KONTROL VALFİ	REVERSING SPOOL	1					
21	S4501085	KAPAK	COVER	1					
22	S4501090	VALF PLANJER KOVANI	GUIDE SOCKET	1					
23	S4501025	SOMUN	NUT	1	K1				
24	S4501030	PUL, SINDIRMAZLIK	SEAL RING	1	K1				
25	S4501035	GAZ BASMA SUPABI	GAS CHARGING VALVE	1	K1				
27	S4501095	DİYAFRAM	DIAPHRAGM	1	K1				
28	S4501100	AKÜMÜLATÖR GÖVDESİ	ACCUMULATOR BODY	1	K1				
29	S4501105	AKÜMÜLATÖR KAPAĞI	ACCUMULATOR COVER	1	K1				
30	S4501110	CIVATA	SCREW M16x40	4					
31	S4501115	PUL	WASHER	4					
33	S4501120	TAPA	PLUG	1					
34	S4501125	PUL	WASHER	1					
35	S4501130	PİM, YARIKLI	ROLL PIN	1					
36	S4501135	GÖVDE, KIRICI ALT	NOSE PART	1					
37	S4501140	GÖVDE, KIRICI ÜST	REAR BODY	1					
39	S4501145	O-RİNG	O-RING	2	K3				
40	S4501150	PİM, YARIKLI	ROLL PIN	2					
41	S4501155	KEÇE, SIYIRICI	ROD WIPER	1	K3				
42	S4501160	KEÇE	SEAL	2	K3				
43	S4501165	O-RİNG	O-RING	2	K3				
44	S4501170	BURÇ, ARKA	REAR BUSHING	1					
45	S4501175	TAPA	PLUG	1					
46	S4501340	GÖVDE, KIRICI VALFİ	VALVE HOUSING	1					
47	S4501185	O-RİNG	O-RING	2	K3				
48	S4501190	PİM, YARIKLI	ROLL PIN	2					
49	S4501195	O-RİNG	O-RING	2	K3				
50	S4501200	TAPA	EXPANDER	1					
51	S4501205	SİLİNDİR	CYLINDER	1					
52	S4501210	GÖVDE, KIRICI	HOUSING	1					
53	S4501215	TAPA	EXPANDER	1					
54	S4501220	BURÇ, ALT	FRONT BUSHING	1					

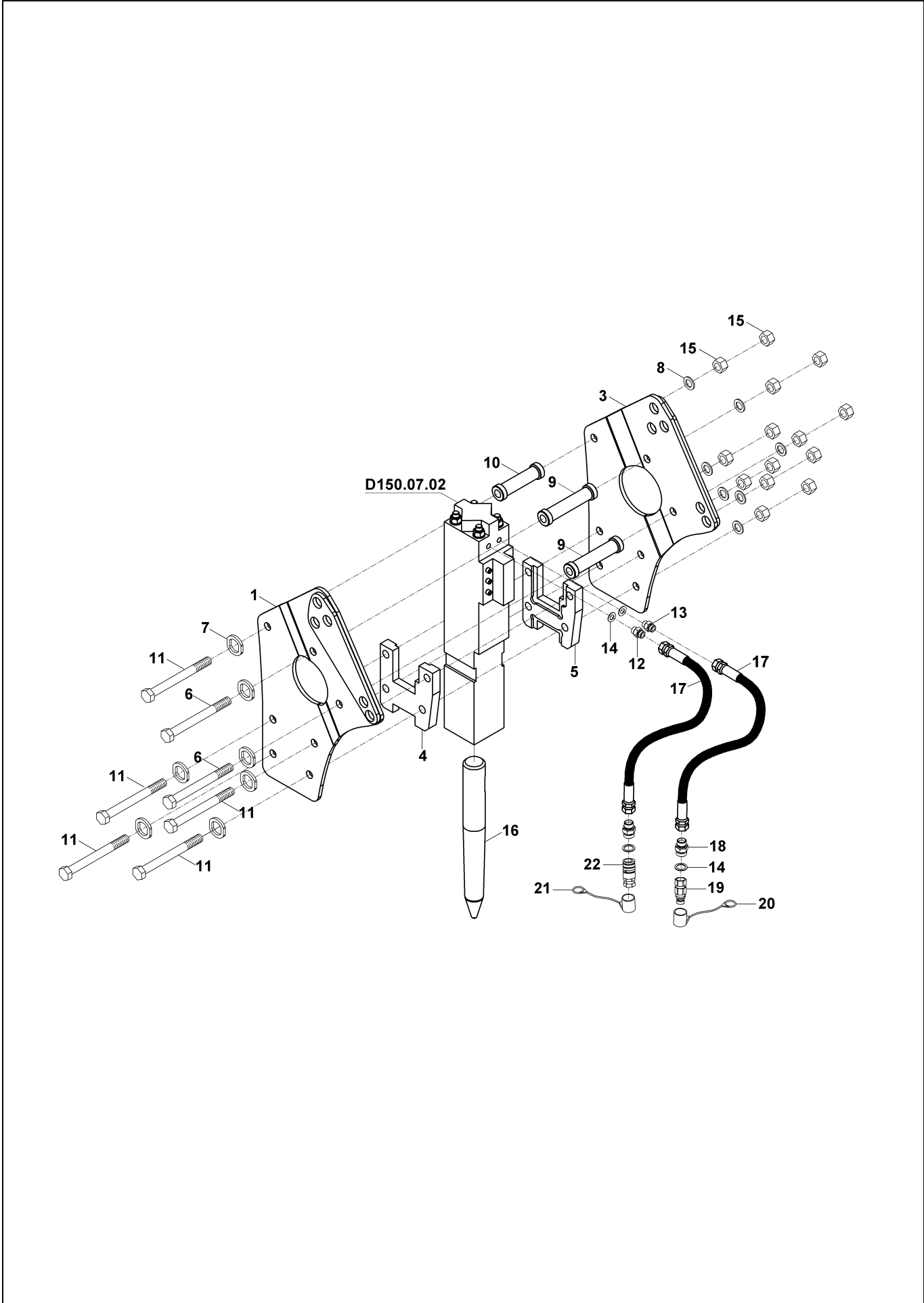
KIRICI KOMPLESİ (LIFTON LH 360) (OP)
BREAKER ASSEMBLY (LIFTON LH 360) (OP)



KIRICI KOMPLESİ (LIFTON LH 360) (OP)
BREAKER ASSEMBLY (LIFTON LH 360) (OP)

No	Parça No	Parça Adı	Description	Adet	S.K.	Bas.S.N	Bit.S.N	Y.K.	Not
No	Part no			Qty	SC	S/N from	S/N to	ICA	Note
55	S4501165	O-RİNG	O-RING	1	K3				
56	S4501225	KEÇE	SEAL	2	K3				
57	S4501230	TOZ KEÇESİ	ROD WIPER	1	K3				
58	S4501150	PİM, YARIKLI	ROLL PIN	2					
59	S4501235	PİSTON	STRIKING PISTON	1					
60	S4501240	BİLEZİK, DAYANMA	STOP RING	1					
61	S4501245	BURÇ, KIRICI UCU	CHISEL BUSHING	1					
62	S4501250	SAPLAMA, M24x700	THROUGH BOLT	4					
63	S4501255	SOMUN	NUT	4					
64	S4501260	PUL	WASHER	4					
65	S4501270	O-RİNG	O-RING	1	K3				
66	S4501185	O-RİNG	O-RING	2	K3				
67	S4501275	O-RİNG	O-RING	1	K3				
68	S4501280	TAPA	EXPANDER	2					
69	S4501285	SOMUN	NUT	2					
72	S4501270	O-RİNG	O-RING	1	K3				
73	S4501130	PİM, YARIKLI	ROLL PIN	1					
74	S4501290	NİPEL, GRES	GREASE NIPPLE	1					
75	S4501295	PİM, KIRICI UCU	CHISEL PIN	1					
76	S4501200	TAPA	EXPANDER	3					
77	S4501350	TAPA	EXPANDER	1					
78	S4501335	EMNİYET VALFİ	RELIEF VALVE	1					
79	S4501345	TAPA	PLUG	1					
K1	S4510015	TAMİR TAKIMI, AKÜMÜLATÖR	ACCUMULATOR (HIGH - PRESSURE)	1	(K1)				
K2	S4510020	TAMİR TAKIMI, AKÜMÜLATÖR	ACCUMULATOR (LOW -PRESSURE)	1	(K2)				
K3	S4510030	KEÇE TAKIMI	SEAL KIT	1	(K3)				

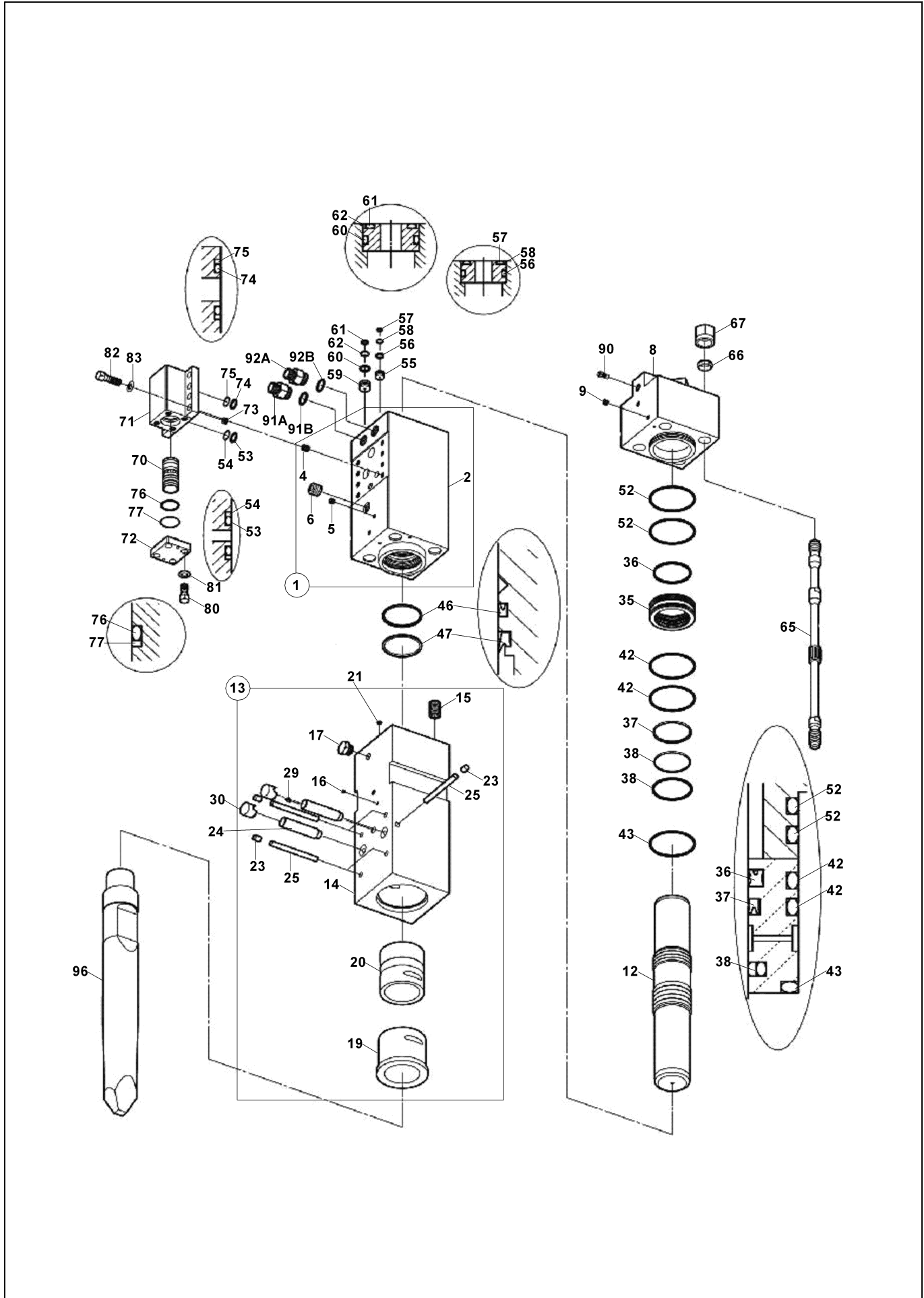
KIRICI MONTAJI (TOKU) (OP)
BREAKER MOUNTING (TOKU) (OP)



KIRICI MONTAJI (TOKU) (OP)
BREAKER MOUNTING (TOKU) (OP)

No	Parça No	Parça Adı	Description	Adet	S.K.	Bas.S.N	Bit.S.N	Y.K.	Not
No	Part no			Qty	SC	S/N from	S/N to	ICA	Note
0	01773001	KIRICI KOMPLESİ, TOKU 6M	BREAKER ASS'Y, TOKU 6M	1					
1	09800047	YAN GÖVDE K.K., SOL	SIDE PLATE, LEFT	1					
3	09800057	YAN GÖVDE K.K., SAĞ	SIDE PLATE, RIGHT	1					
4	02021534	BAĞLANTI PLAKASI, SOL	FRAME, LH	1					
5	02021535	BAĞLANTI PLAKASI, SAĞ	FRAME, RH	1					
6	N010382424	CIVATA	BOLT	2					M30x2x350
7	N030100042	PUL	WASHER	7					M30
8	N031360019	PUL	WASHER	7					M30
9	02021536	MESAFE BORUSU, UZUN	SPACER	2					
10	02021537	MESAFE BORUSU, KISA	SPACER	1					
11	N010382417	CIVATA	BOLT	5					M30x2x305
12	80624232	NİPEL	ADAPTER	1	A				
13	80624233	NİPEL	ADAPTER	1					
14	N030000025	O-RİNGLİ PUL	WASHER	4					
15	N023580568	SOMUN	NUT	14					M30
16	F4503210	KIRICI UCU, KESKİ	CHISEL, FLAT	1					
17	66644M1190	HORTUM KOMPLESİ	HOSE ASS'Y	2					
18	80624230	NİPEL	ADAPTER	2					
19	N169900102	ÇABUK BAĞLANTI	QUICK COUPLING, MALE	1					
20	F9900350	KORUYUCU BAŞLIK	PROTECTION CAP	1					
21	F9900351	KORUYUCU BAŞLIK	PROTECTION CAP	1					
22	N169900101	ÇABUK BAĞLANTI	QUICK COUPLING, FEMALE	1					

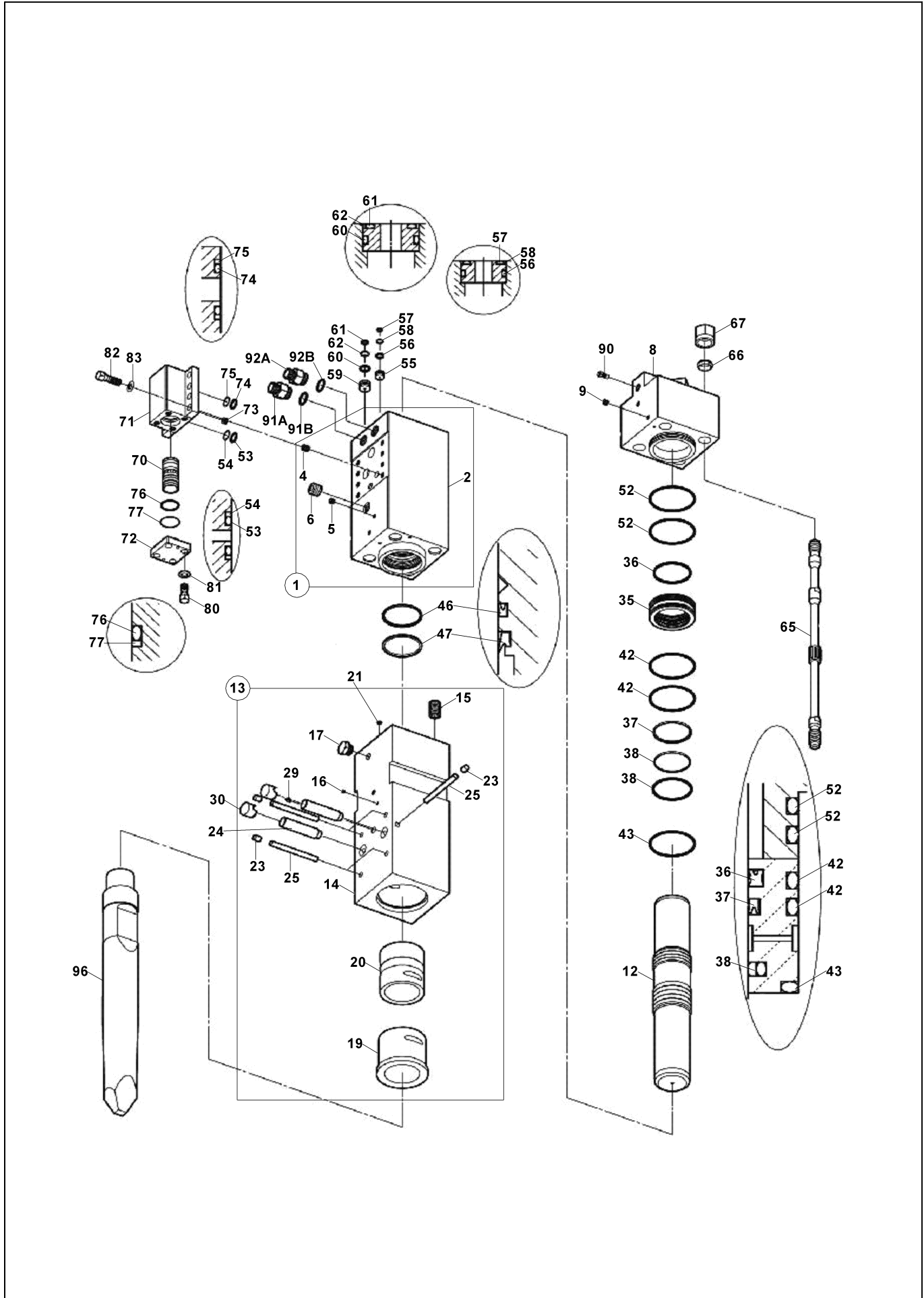
KIRICI KOMPLESİ (TOKU) (OP)
BREAKER ASSEMBLY (TOKU) (OP)



KIRICI KOMPLESİ (TOKU) (OP)
BREAKER ASSEMBLY (TOKU) (OP)

No	Parça No	Parça Adı	Description	Adet	S.K.	Bas.S.N	Bit.S.N	Y.K.	Not
No	Part no			Qty	SC	S/N from	S/N to	ICA	Note
0	F4502960	KIRICI KOMPLESİ (TOKU 6 M)	BREAKER ASSEMBLY (TOKU 6M)	1					
1	S4502998	SİLİNDİR KOMPLESİ, KIRICI	CYLINDER ASS'Y, BREAKER	1	(K1)				
2	S4503000	SİLİNDİR	CYLINDER	1	K1				
4	S4502982	TAPA	PLUG	1	K1				
5	S4502980	TAPA	PLUG	1					
6	S4502922	HELİKOİL	HELICOIL	8	K1				
8	S4503002	KAPAK, SİLİNDİR	CYLINDER COVER	1					
9	S4502980	TAPA	PLUG	2					
12	S4503004	PİSTON	PISTON	1					
13	S4503006	GÖVDE KOMPLESİ, KIRICI UCU	CHISEL HOLDER CP	1	(K2)				
14	S4503007	GÖVDE, KIRICI UCU	CHISEL HOLDER	1	K2				
15	S4502924	HELİKOİL	HELICOIL	4	K2				
16	S4502978	TAPA	PLUG	1	K2				
17	S4502992	TAPA	PLUG	1	K2				
19	S4502996	BURÇ, KIRICI UCU	CHISEL BUSHING	1	K2				
20	S4502994	BURÇ, TUTUCU, KIRICI UCU	CHISEL HOLDER BUSHING	1	K2				
21	S4502926	O-RİNG	O-RING	1	K3				
23	S4502988	PLUG, RETAINER PIN	RETAINER PIN STOPPER PLUG	5	K2				
24	S4503010	PİM	PIN	2					
25	S4503012	PİM, DURDURUCU	STOPPER PIN	5	K2				
29	S4502984	NİPEL, GRES	GREASE NIPPLE	1	K2				
30	S4502990	PLUG, RETAINER PIN	RETAINER PIN PLUG	2					
34	S4502900	CONTA TAKIMI	SEAL KIT	1					
35	S4503020	BURÇ, SIKIŞTIRMA	PACKING BUSHING	1					
36	S4502960	KEÇE	SEAL	1	K3				
37	S4502962	KEÇE, YAĞ	OIL SEAL	1	K3				
38	S4502968	KEÇE, SIYIRICI	SLIDE RING S	1	K3				
42	S4502938	O-RİNG	O-RING	2	K3				
43	S4502940	O-RİNG	O-RING	1	K3				
46	S4502964	KEÇE, YAĞ	OIL SEAL	1	K3				
47	S4502958	TOZ KEÇESİ	SEAL DUST	1	K3				
52	S4502938	O-RİNG	O-RING	2	K3				
53	S4502932	O-RİNG	O-RING	2	K3				
54	S4502952	BACK-UP RİNG	BACK UP RING	2	K3				
55	S4503032	TAPA, SİLİNDİR	CYLINDER PLUG	1					
56	S4502942	O-RİNG	O-RING	1	K3				
57	S4502928	O-RİNG	O-RING	1	K3				
58	S4502948	BACK-UP RİNG	BACK UP RING	1	K3				
59	S4503030	TAPA, SİLİNDİR	CYLINDER PLUG	1					
60	S4502944	O-RİNG	O-RING	1	K3				
61	S4502930	O-RİNG	O-RING	1	K3				
62	S4502950	BACK-UP RİNG	BACK UP RING	1	K3				
65	S4503036	SAPLAMA	THROUGH BOLT	4					
66	S4502986	PUL	SIDE BOLT RING	4					
67	S4502976	SOMUN	NUT	4					
70	S4503038	VALF	CONTROL VALVE	1					

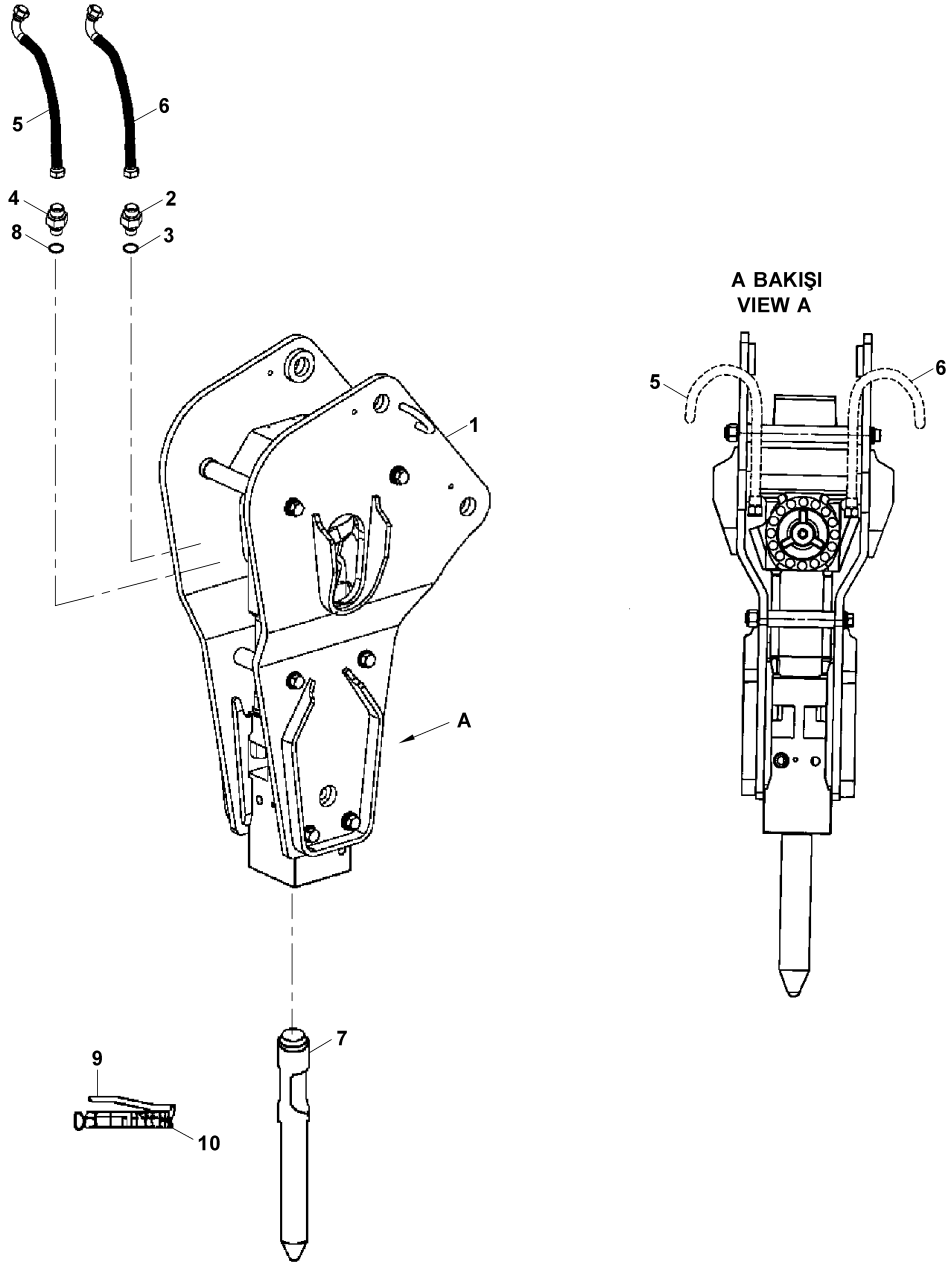
KIRICI KOMPLESİ (TOKU) (OP)
BREAKER ASSEMBLY (TOKU) (OP)



KIRICI KOMPLESİ (TOKU) (OP)
BREAKER ASSEMBLY (TOKU) (OP)

No	Parça No	Parça Adı	Description	Adet	S.K.	Bas.S.N	Bit.S.N	Y.K.	Not
No	Part no			Qty	SC	S/N from	S/N to	ICA	Note
71	S4503022	VALF KUTUSU	CONTROL VALVE BOX	1					
72	S4503024	KAPAK, KONTROL VALFİ	CONTROL VALVE CAP	1					
73	S4503040	TAPA	CHOKE PLUG	1					
74	S4502934	O-RİNG	O-RING	2	K3				
75	S4502954	BACK-UP RİNG	BACK UP RING	2	K3				
76	S4502936	O-RİNG	O-RING	1	K3				
77	S4502956	BACK-UP RİNG	BACK UP RING	1	K3				
80	S4502974	CIVATA	BOLT	4					
81	S4502970	PUL	WASHER	4					
82	S4502972	CIVATA	BOLT	8					
83	S4502970	PUL	WASHER	8					
90	S4503034	GAZ BASMA VALFİ	GAS VALVE CP	1CP					
91A	S4503026	NİPEL	ADAPTER	1					ø D150.06.01
91A	80624230	NİPEL	ADAPTER	1					
91B	S4502946	O-RİNG	O-RING	1	K3				
92A	S4503028	NİPEL	ADAPTER	1					ø D150.06.01
92A	80624232	NİPEL	ADAPTER	1	A				
92B	S4502946	O-RİNG	O-RING	1	K3				
96	F4503211	KIRICI UCU, SİVRİ	POINT CHISEL (P)	1					L=710
96	F4503213	KIRICI UCU, SİVRİ, UZUN	POINT CHISEL LONG (P)	1	OP				L=850
96	F4503212	KESKİ UÇ	FLAT END CHISEL	1					L=710
96	F4503214	KESKİ UÇ, UZUN	FLAT END CHISEL LONG	1	OP				L=850
96	F4503210	KIRICI UCU, KESKİ	CHISEL, FLAT	1					L=710
96	F4503215	KIRICI UCU, KESKİ, UZUN	CHISEL, FLAT, LONG	1	OP				L=850

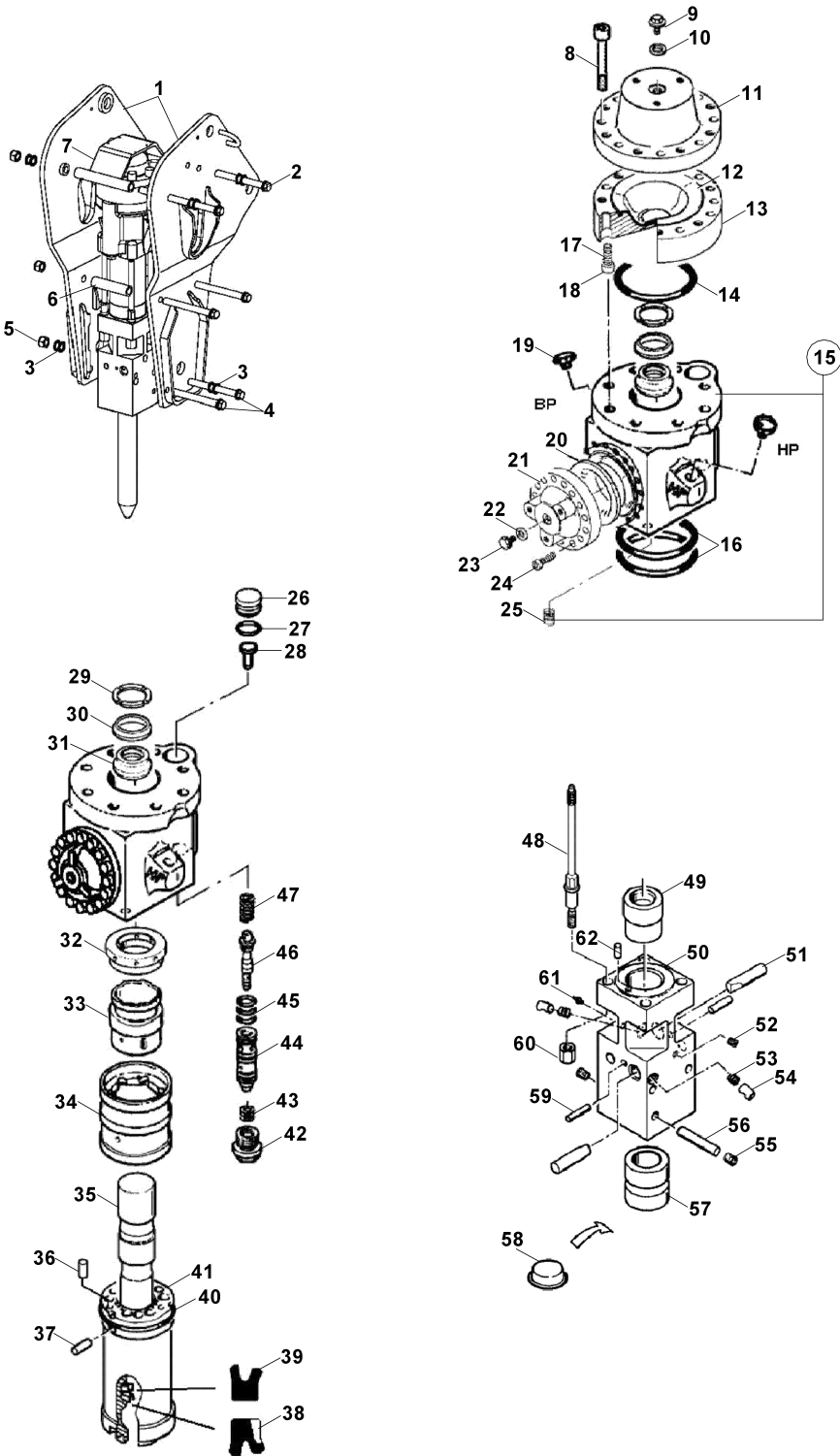
KIRICI MONTAJI (MONTABERT- HKR 140) (OP)
BREAKER MOUNTING (MONTABERT-HKR 140) (OP)



KIRICI MONTAJI (MONTABERT- HKR 140) (OP)
BREAKER MOUNTING (MONTABERT-HKR 140) (OP)

No	Parça No	Parça Adı	Description	Adet	S.K.	Bas.S.N	Bit.S.N	Y.K.	Not
No	Part no			Qty	SC	S/N from	S/N to	ICA	Note
1	F4504000	KIRICI KOMPLESİ, MONTABERT 140	BREAKER ASS'Y, MONTABERT 140	1					
2	80624526	NİPEL	ADAPTER	1					
3	N030000025	O-RİNGLİ PUL	WASHER	1					
4	80624100	NİPEL	ADAPTER	1					NB+KT
4	80624526	NİPEL	ADAPTER	1					TB+KT
5	666442E175	HORTUM KOMPLESİ	HOSE ASS'Y	1					NB
5	6664426220	HORTUM KOMPLESİ	HOSE ASS'Y	1					TK
6	665332E175	HORTUM KOMPLESİ	HOSE ASS'Y	1					NB
6	6653326220	HORTUM KOMPLESİ	HOSE ASS'Y	1					TK
7	F4504100	KIRICI UCU, KESKİ	CHISEL, FLAT	1	OP				
7	F4504120	KIRICI UCU, SİVRİ	CHISEL, MOIL POINT	1	OP				
8	N030000025	O-RİNGLİ PUL	WASHER	1					
9	S4514065	GRES POMPASI	GREASE PUMP	1					
10	S4514238	GRES KARTUŞU	GREASE CARTRIDGE	1					

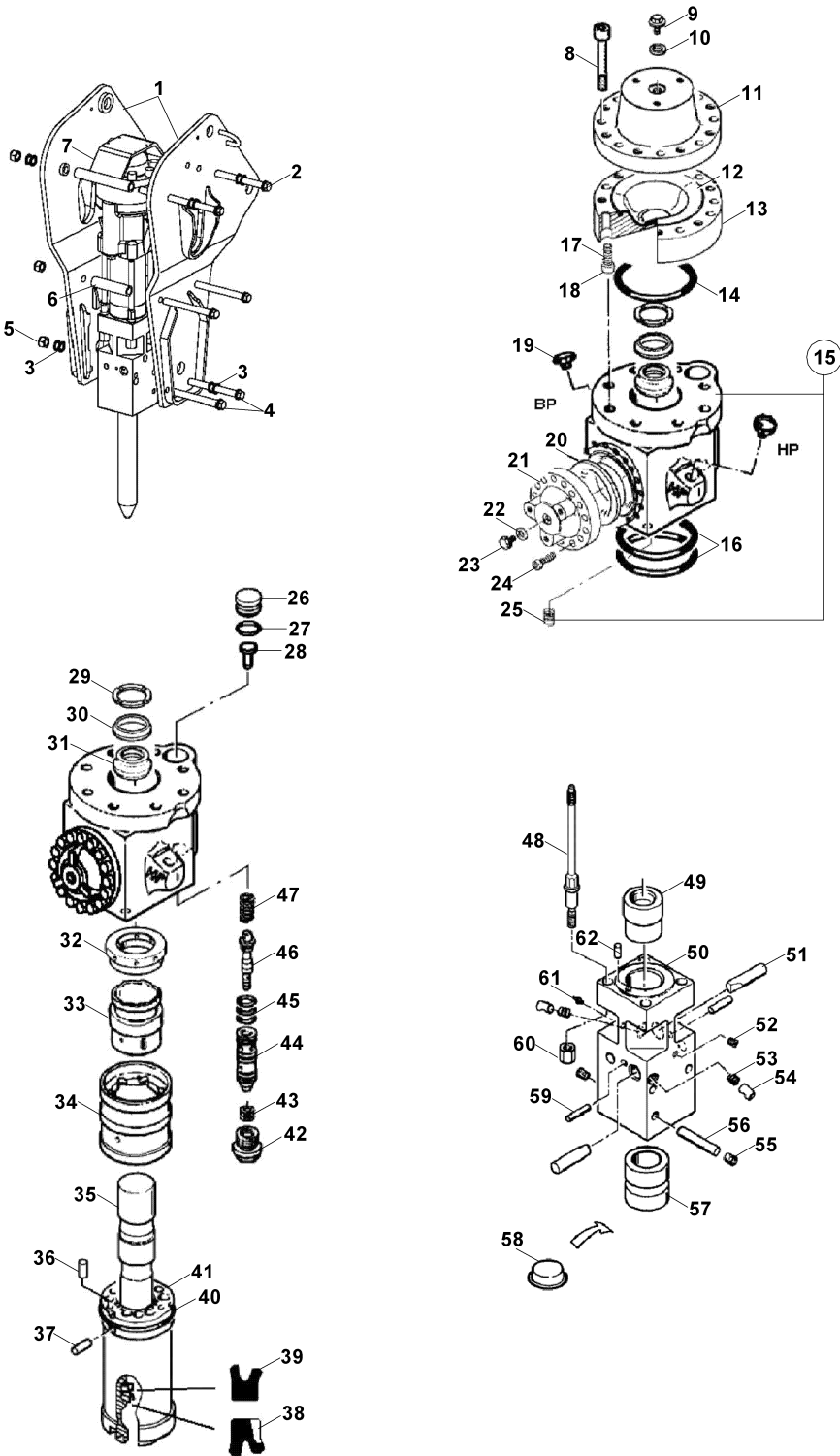
KIRICI KOMPLESİ (MONTABERT- HKR 140) (OP)
BREAKER ASSEMBLY (MONTABERT- HKR 140) (OP)



KIRICI KOMPLESİ (MONTABERT- HKR 140) (OP)
BREAKER ASSEMBLY (MONTABERT- HKR 140) (OP)

No	Parça No	Parça Adı	Description	Adet	S.K.	Bas.S.N	Bit.S.N	Y.K.	Not
No	Part no			Qty	SC	S/N from	S/N to	ICA	Note
0	F4504000	KIRICI KOMPLESİ, MONTABERT 140	BREAKER ASS'Y, MONTABERT 140	1					
1	S4514700	YAN GÖVDE K.K. KOMPLESİ	SIDE PLATES	1					
2	S4514310	CIVATA	BOLT	2					
3	S4514110	PUL	WASHER	24					
4	S4514255	CIVATA	BOLT	4					
5	S4514260	SOMUN	NUT	6					
6	S4514295	MESAFE BORUSU	SPACER	2					
7	S4514245	KORUMA SACI	PROTECTION COVER	1					
8	S4514185	CIVATA	BOLT	8					
9	S4514080	CIVATA	BOLT	1					
10	S4514040	PUL	WASHER	1					
11	S4514150	ÜST FLANŞ	UPPER FLANGE	1					
12	S4514270	DİYAFRAM	DIAPHRAGM	1					
13	S4514180	ALT FLANŞ	LOWER FLANGE	1					
14	S4514090	O-RİNG	O-RING	1	K1				
15	S4514290	GÖVDE, KIRICI, ARKA	BACK HEAD	1					
16	S4514010	O-RİNG	O-RING	2	K1				
17	S4514280	CIVATA	BOLT	7					
18	S4714190	CIVATA	BOLT	1					
19	S4514285	TAPA, PLASTİK	PLUG, PLASTIC	2					
20	S4514000	DİYAFRAM	DIAPHRAGM	1					
21	S4514205	ÜST FLANŞ	UPPER FLANGE	1					
22	S4514040	PUL	WASHER	1					
23	S4514080	CIVATA	BOLT	1					
24	S4514275	CIVATA	BOLT	16					
25	S4514075	CIVATA	HELICOIL THREAD	4					
26	S4514220	TAPA	PLUG	1					
27	S4514045	O-RİNG	O-RING	1	K1				
28	S4514225	YAY KILAVUZU	SPRING THRUST	1					
29	S4514210	BASKI PULU	THRUST WASHER	1					
30	S4514200	SÖNÜMLEYİCİ	SHOCK ABSORBER	1					
31	S4514195	PİSTON DAYAMASI	PISTON STOP	1					
32	S4514230	DAĞITICI KAPAĞI	DISTRIBUTION COVER	1					
33	S4514135	DAĞITICI	DISTRIBUTOR	1					
34	S4514240	DAĞITICI KUTUSU	DISTRIBUTION BOX	1					
35	S4514305	PİSTON	STRIKE PISTON	1					
36	S4514100	PİM	PIN	1					
37	S4514055	PİM, ELASTİK	PIN, ELASTIC	1					
38	S4514300	KEÇE	LIP SEAL	1	K1				
39	S4514155	KEÇE	LIP SEAL	1	K1				
40	S4514105	O-RİNG	O-RING	1	K1				
41	S4514235	SİLİNDİR	CYLINDER	1					
42	S4514140	TAPA, VİDALI	THREADED PLUG	1					
43	S4514015	ŞİM	SHIM	10					
44	S4514145	GÖMLEK, KIRICI VALFİ	LINING	1					
45	S4514130	O-RİNG	O-RING	3	K1				

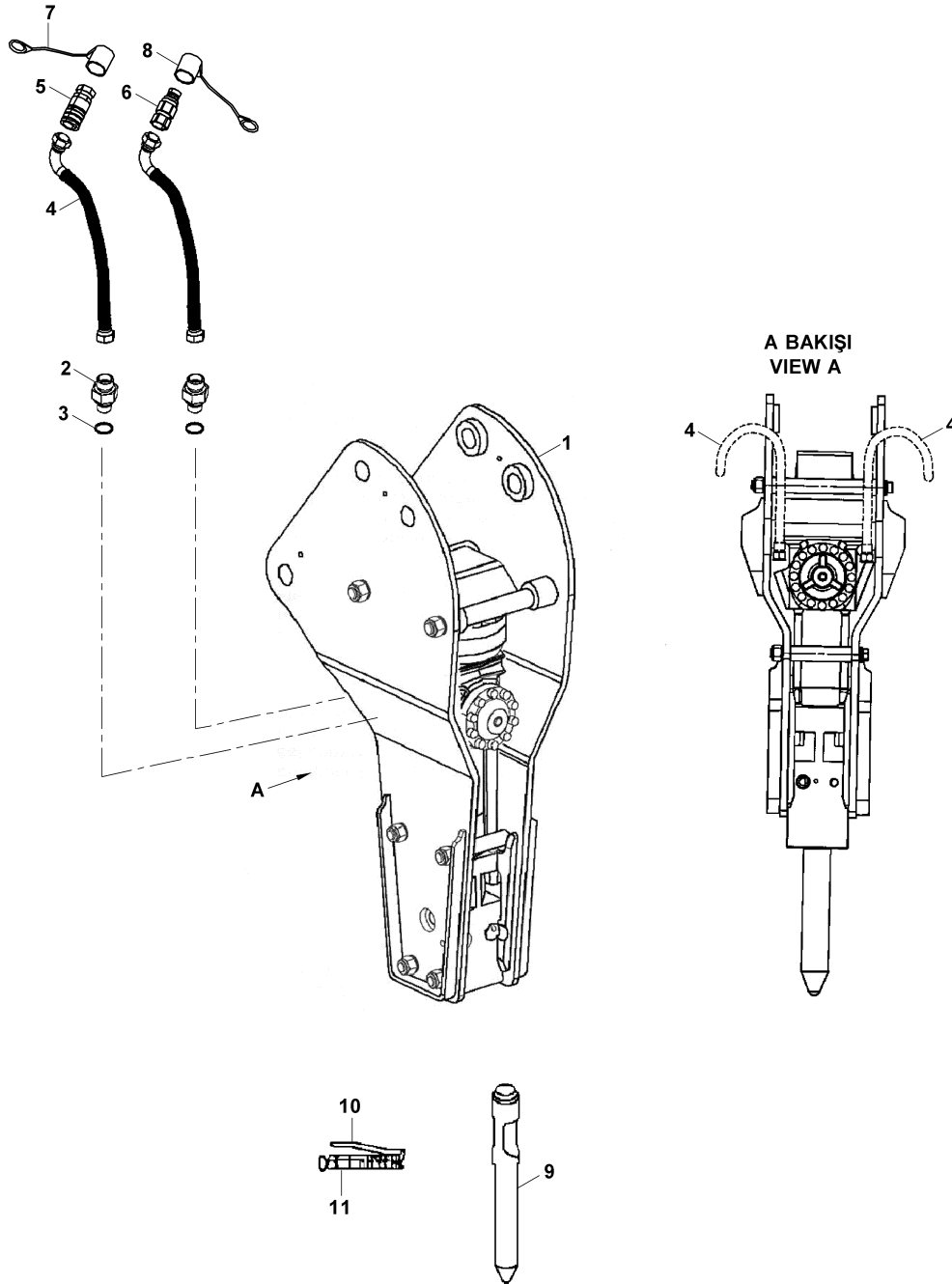
KIRICI KOMPLESİ (MONTABERT- HKR 140) (OP)
BREAKER ASSEMBLY (MONTABERT- HKR 140) (OP)



KIRICI KOMPLESİ (MONTABERT- HKR 140) (OP)
BREAKER ASSEMBLY (MONTABERT- HKR 140) (OP)

No	Parça No	Parça Adı	Description	Adet	S.K.	Bas.S.N	Bit.S.N	Y.K.	Not
No	Part no			Qty	SC	S/N from	S/N to	ICA	Note
46	S4514215	İTİCİ	SLIDE	1					
47	S4514070	YAY	SPRING	1					
48	S4514175	SAPLAMA	TROUGHT BOLT	4					
49	S4514160	BURÇ, ÜST FIRLATMA	UPPER CHUCK BUSHING	1					
50	S4514265	ÖN KILAVUZ	FRONT GUIDE	1					
51	S4514085	PİM	PIN	2					
52	S4514125	TAPA	PLUG	1					
53	S4514050	YAY	SPRING	2					
54	S4514060	KİLİT KAMASI	LOCK	2					
55	S4514250	TAPA	PLUG	2					
56	S4514120	PİM	PIN	1					
57	S4514165	BURÇ, ALT FIRLATMA	LOWER CHUCK BUSHING	1					
58	S4514030	TAPA, PLASTİK	PLUG, PLASTIC	1					
59	S4514025	PİM, ELASTİK	PIN, ELASTIC	2					
60	S4514170	SOMUN	NUT	4					
61	S4514020	NİPEL, GRES	OILER	1					
62	S4514115	PİM	PIN	1					
63	S4514800	KEÇE TAKIMI	SEAL KIT	1	(K1)				

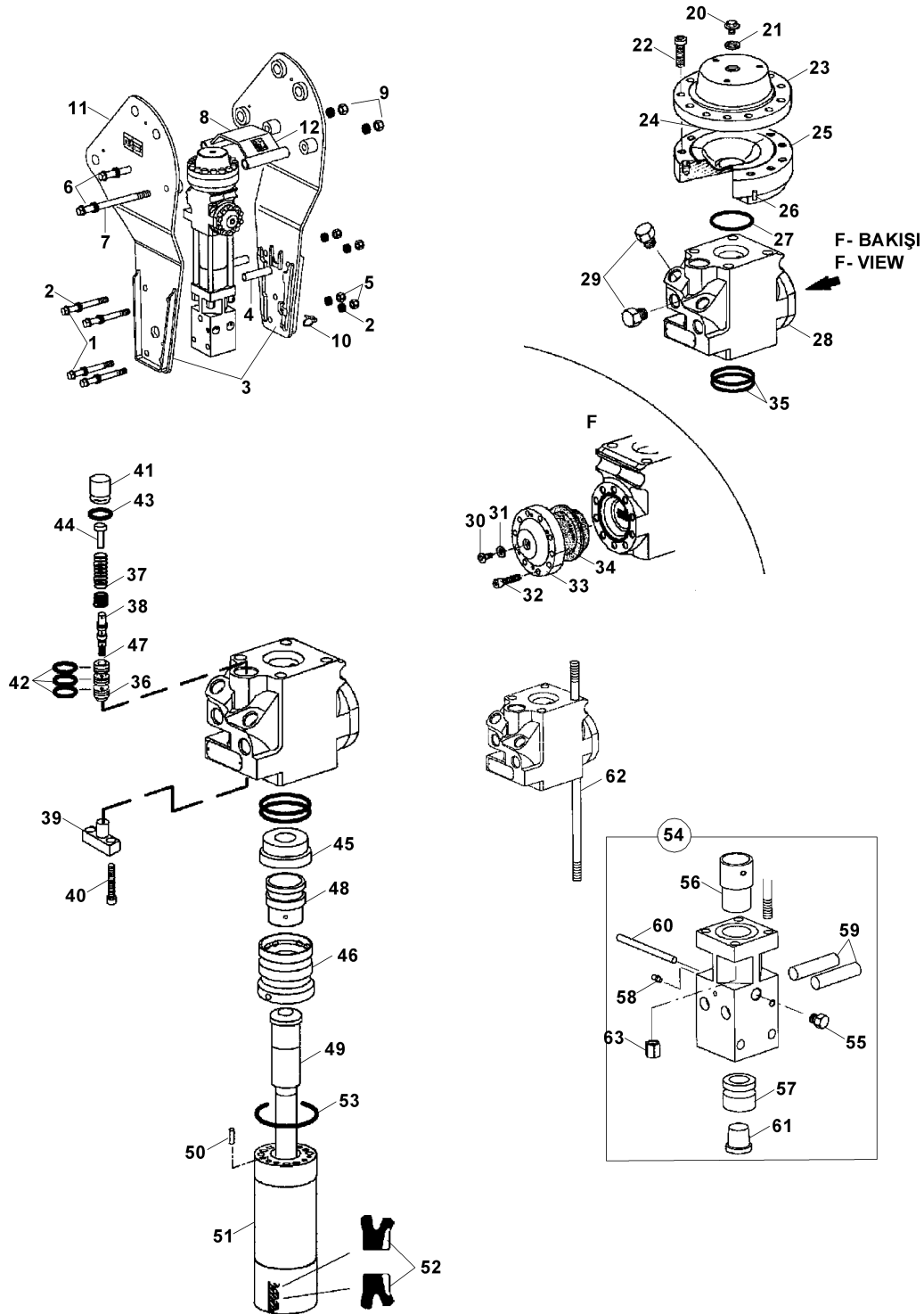
KIRICI MONTAJI (MONTABERT- 95) (OP)
BREAKER MOUNTING (MONTABERT- 95) (OP)



KIRICI MONTAJI (MONTABERT- 95) (OP)
BREAKER MOUNTING (MONTABERT- 95) (OP)

No	Parça No	Parça Adı	Description	Adet	S.K.	Bas.S.N	Bit.S.N	Y.K.	Not
No	Part no			Qty	SC	S/N from	S/N to	ICA	Note
0	01773004	KIRICI MONTAJI (MONTABERT 95) (OP)	BREAKER MOUNTING (MONTABERT 95) (OP)	1					
1	F4504010	KIRICI KOMPLESİ (MONTABERT- 95)	BREAKER ASSEMBLY (MONTABERT- 95)	1					
2	80624101	NİPEL	ADAPTER	2					NB+EKKV
3	N030000025	O-RİNGLİ PUL	WASHER	2					
4	6664426210	HORTUM KOMPLESİ	HOSE ASS'Y	1					NB+EKKV
5	N169900101	ÇABUK BAĞLANTI	QUICK COUPLING, FEMALE	1					
6	N169900102	ÇABUK BAĞLANTI	QUICK COUPLING, MALE	1					
7	F9900351	KORUYUCU BAŞLIK	PROTECTION CAP	1					
8	F9900350	KORUYUCU BAŞLIK	PROTECTION CAP	1					
9	S4514206	KIRICI UCU, SİVRİ	CHISEL, MOIL POINT	1	OP				
9	S4514207	KIRICI UCU, KESKİ	CHISEL, FLAT	1	OP				
9	S4514138	KIRICI UCU, KÖR	CHISEL, BLUNT	1	OP				
10	S4514065	GRES POMPASI	GREASE PUMP	1					
11	S4514238	GRES KARTUŞU	GREASE CARTRIDGE	1					

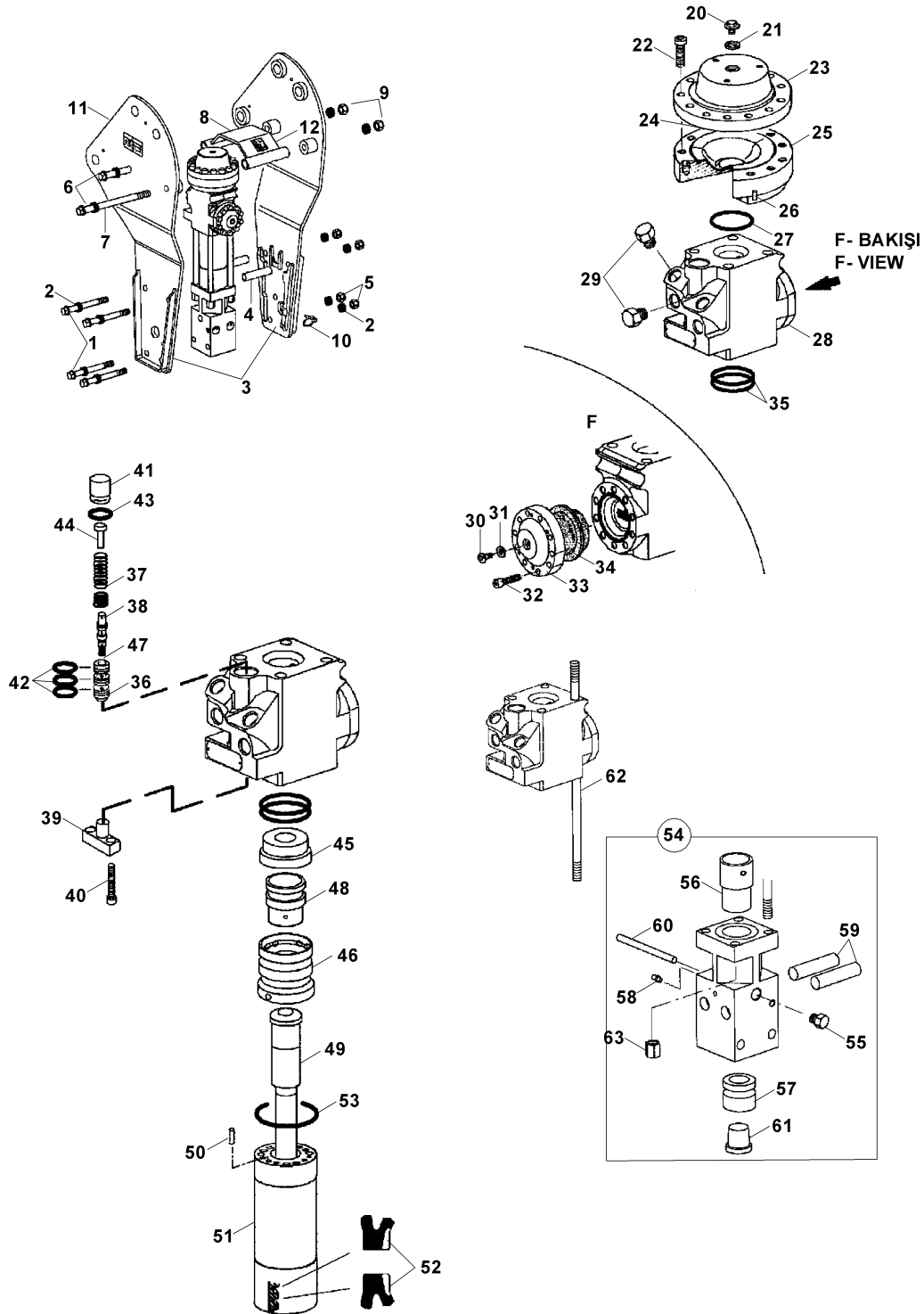
KIRICI KOMPLESİ (MONTABERT- 95) (OP) BREAKER ASSEMBLY (MONTABERT- 95) (OP)



KIRICI KOMPLESİ (MONTABERT- 95) (OP)
BREAKER ASSEMBLY (MONTABERT- 95) (OP)

No	Parça No	Parça Adı	Adet	S.K.	Bas.S.N	Bit.S.N	Y.K.	Not
No	Part no	Description	Qty	SC	S/N from	S/N to	ICA	Note
0	F4504010	KIRICI KOMPLESİ (MONTABERT- 95)	1					
1	S4514253	CIVATA	4					
2	S4514297	PUL	16					
3	S4514321	YAN GÖVDE K.K. KOMPLESİ	1					
4	S4514249	ARA PARÇA	2					
5	S4514259	SOMUN	4					
6	S4514251	CIVATA	2					
7	S4514110	PUL	8					
8	S4514248	KORUMA SACI	1					
9	S4514260	SOMUN	2					
10	S4514199	PİM	1					
11	S4514156	ETİKET, EMNİYET	1					
12	S4514301	ETİKET, GÜRÜLTÜ SEVİYESİ	1					
20	S4514080	CIVATA	1					
21	S4514040	PUL	1					
22	S4514116	CIVATA	14					
23	S4514231	ÜST FLANŞ	1					
24	S4514081	DİYAFRAM	1					
25	S4514221	ALT FLANŞ	1					
26	S4514066	CIVATA	4					
27	S4514034	O-RİNG	1	K1				
28	S4514289	GÖVDE, KIRICI, ARKA	1					
29	S4514296	TAPA	4					
30	S4514080	CIVATA	1					
31	S4514040	PUL	1					
32	S4514287	CIVATA	10					
33	S4514169	KAPAK	1					
34	S4514167	DİYAFRAM	1					
35	S4514172	O-RİNG	2	K1				
36	S4514129	GÖMLEK, KIRICI VALFİ	1					
37	S4514091	YAY	1					
38	S4514151	ŞİM	12					
39	S4514174	DURDURUCU	1					
40	S4514287	CIVATA	2					
41	S4514176	TAPA	1					
42	S4514134	O-RİNG	3	K1				
43	S4514119	O-RİNG	1	K1				
44	S4514178	YAY KILAVUZU	1					
45	S4514181	DAĞITICI KAPAĞI	1					
46	S4514201	DAĞITICI KUTUSU	1					
47	S4514127	İTİCİ	1					
48	S4514186	DAĞITICI	1					
49	S4514189	PİSTON	1					
50	S4514113	PİM	1					
51	S4514271	SİLİNDİR	1					
52	S4514307	KEÇE	2	K1				

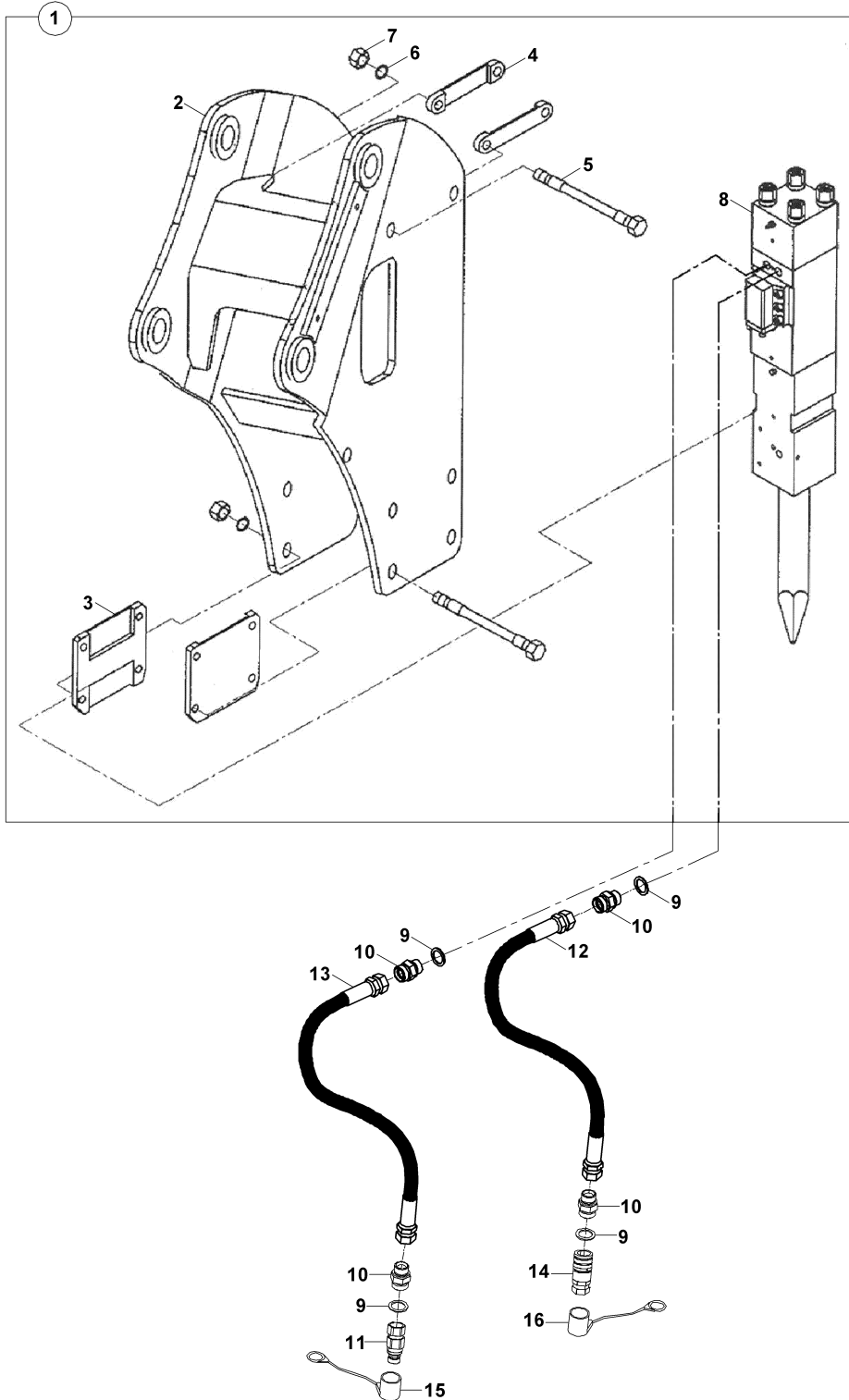
KIRICI KOMPLESİ (MONTABERT- 95) (OP) BREAKER ASSEMBLY (MONTABERT- 95) (OP)



KIRICI KOMPLESİ (MONTABERT- 95) (OP)
BREAKER ASSEMBLY (MONTABERT- 95) (OP)

No	Parça No	Parça Adı	Description	Adet	S.K.	Bas.S.N	Bit.S.N	Y.K.	Not
No	Part no			Qty	SC	S/N from	S/N to	ICA	Note
53	S4514880	O-RİNG	O-RING	1		K1			
54	S4514281	ÖN KILAVUZ KOMPLESİ	FRONT GUIDE ASS'Y	1					
55	S4514125	TAPA	PLUG	1					
56	S4514193	BURÇ, ÜST FIRLATMA	UPPER CHUCK BUSHING	1					
57	S4514194	BURÇ, ALT FIRLATMA	LOWER CHUCK BUSHING	1					
58	S4514020	NİPEL, GRES	OILER	1					
59	S4514196	PİM	PIN	2					
60	S4514197	PİM	PIN	1					
61	S4514141	TAPA, PLASTİK	PLUG, PLASTIC	1					
62	S4514284	SAPLAMA	TROUGH BOLT	4					
63	S4514198	SOMUN	NUT	4					
K1	S4514314	KEÇE TAKIMI	SEAL PACKAGE	1		(K1)			

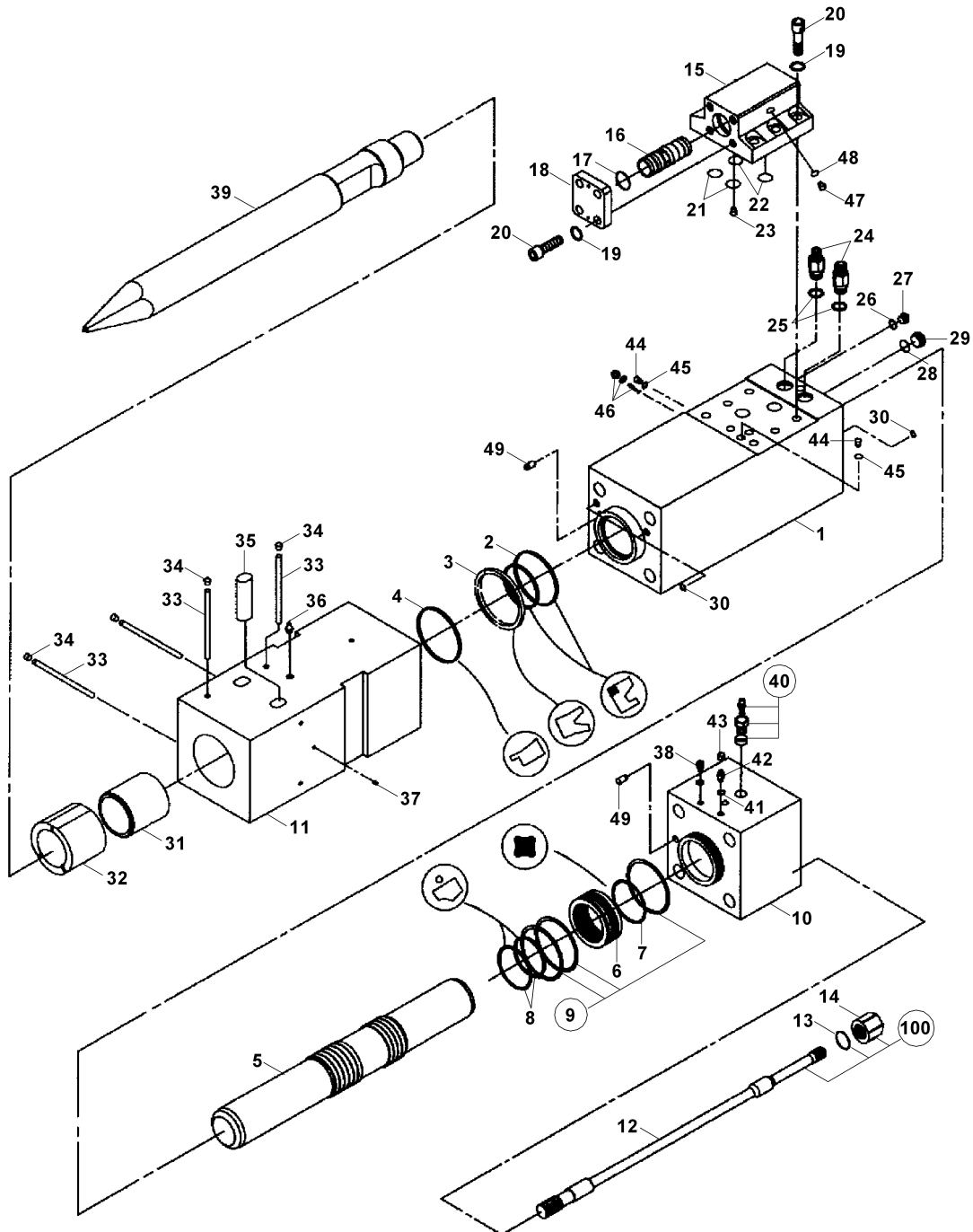
KIRICI MONTAJI (DEMO S700V) (OP) BREAKER MOUNTING (DEMO S700V) (OP)



KIRICI MONTAJI (DEMO S700V) (OP)
BREAKER MOUNTING (DEMO S700V) (OP)

No	Parça No	Parça Adı	Description	Adet	S.K.	Bas.S.N	Bit.S.N	Y.K.	Not
No	Part no			Qty	SC	S/N from	S/N to	ICA	Note
0	01773005	KIRICI MONTAJI (DEMO S700V) (OP)	BREAKER ASSEMBLY (DEMO S700V) (OP)	1					
1	F4504170	KIRICI KOMPLESİ (DEMO S700V)	BREAKER ASSEMBLY (DEMO S700V)	1					D150.10.02
2	S4515041	YAN GÖVDE K.K.	SIDE BRACKET	1					
3	S4515042	BAĞLANTI PLAKASI	RETAINER PLATE	2					
4	S4515043	BAĞLANTI PLAKASI	RETAINER PLATE	2					
5	S4515044	CIVATA	BOLT	6					M24x250
6	S4515045	PUL	WASHER	6					M24
7	S4515046	SOMUN	NUT	6					M24
8	S4515040	ANA GÖVDE	MAIN BODY,COMPL.	1					
9	N030000025	O-RİNGLİ PUL	WASHER	2					
10	80624230	NİPEL	ADAPTER	2					
11	N169900102	ÇABUK BAĞLANTI	QUICK COUPLING, MALE	1					
12	66644M1190	HORTUM KOMPLESİ	HOSE ASS'Y	1					
13	66533M1190	HORTUM KOMPLESİ	HOSE ASS'Y	1					
14	N169900101	ÇABUK BAĞLANTI	QUICK COUPLING, FEMALE	1					
15	F9900350	KORUYUCU BAŞLIK	PROTECTION CAP	1					
16	F9900351	KORUYUCU BAŞLIK	PROTECTION CAP	1					

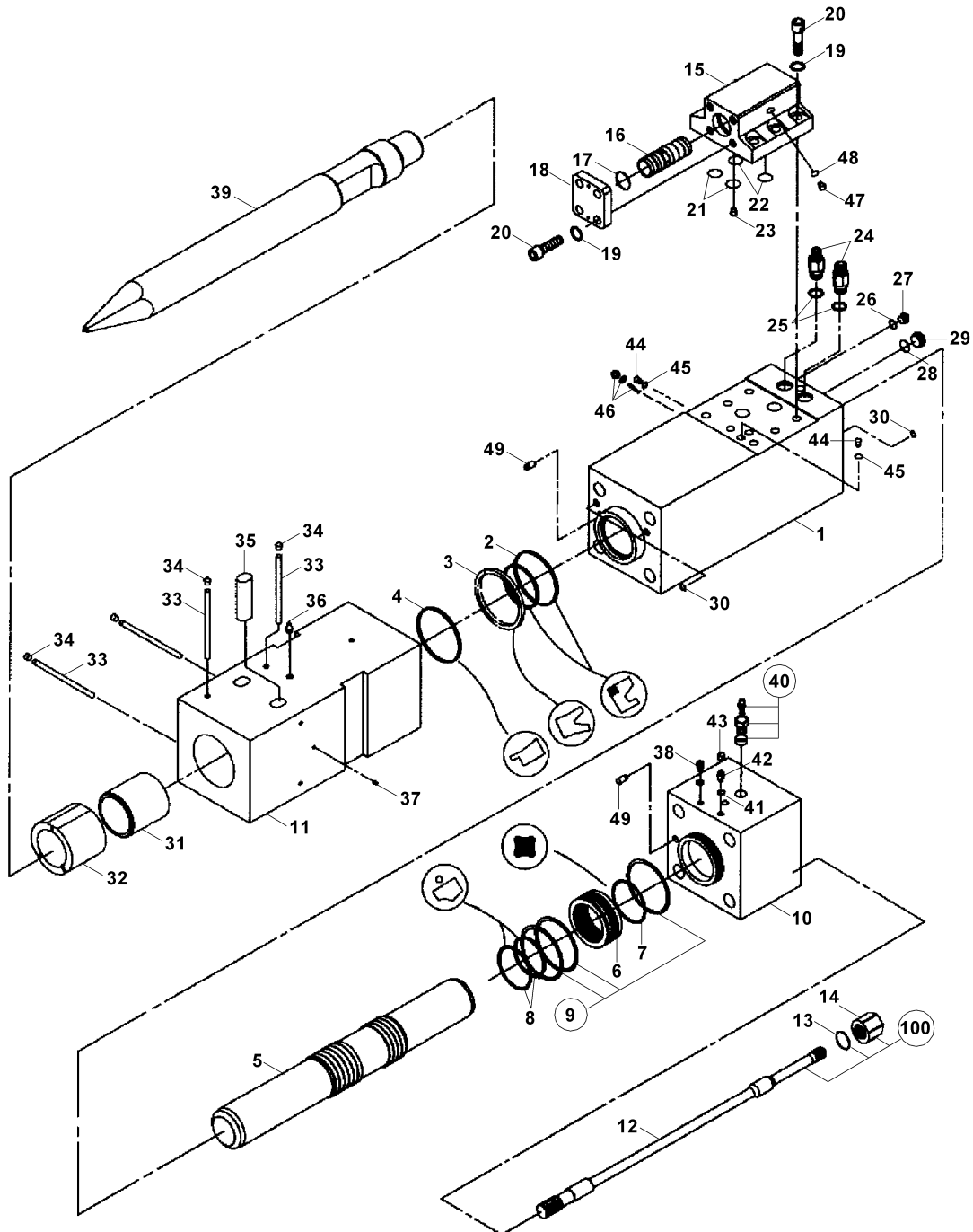
KIRICI KOMPLESİ (DEMO S700V) (OP)
BREAKER ASSEMBLY (DEMO S700V) (OP)



KIRICI KOMPLESİ (DEMO S700V) (OP)
BREAKER ASSEMBLY (DEMO S700V) (OP)

No	Parça No	Parça Adı	Description	Adet	S.K.	Bas.S.N	Bit.S.N	Y.K.	Not
No	Part no			Qty	SC	S/N from	S/N to	ICA	Note
0	F4504170	KIRICI KOMPLESİ (DEMO S700V)	BREAKER ASSEMBLY (DEMO S700V)	1					
1	S4514968	SİLİNDİR	CYLINDER	1					
2	S4514947	TAMPON KEÇE	RING, BUFFER	1					
3	S4514943	KEÇE	U-PACKING	1					
4	S4514945	TOZ KEÇESİ	SEAL DUST	1					
5	S4514969	PİSTON	PISTON	1					
6	S4514986	BURÇ, SİLİNDİR	BUSHING, CYLINDER	1					
7	S4514951	KARE RİNG	QUARD-RING	1					
8	S4514964	KEÇE TAKIMI	SEAL SET	2					
9	S4514941	O-RİNG	O-RING	4					
10	S4514996	GÖVDE, KIRICI KAPAK	HEAD CAP	1					
11	S4514987	GÖVDE, KIRICI, ÖN	FRONT HEAD	1					
12	S4514997	SAPLAMA	THROUGH BOLT	4					
13	S4515028	PUL	WASHER, FOR T BOLT	4					
14	S4514999	SOMUN	NUT	4					
15	S4514994	VALF KUTUSU	VALVE CASE	1					
16	S4514993	VALF	VALVE	1					
17	S4514938	O-RİNG	O-RING	1					
18	S4514995	KAPAK SACI, VALF	COVER, VALVE	1					
19	S4514966	PUL	WASHER	10					
20	S4514965	CIVATA	BOLT	10					
21	S4514933	O-RİNG	O-RING	2					
22	S4514937	O-RİNG	O-RING	2					
23	S4515010	TAPA	PLUG	1					
24	S4515027	NİPEL	ADAPTER	2					
25	S4514936	O-RİNG	O-RING	2					
26	S4514929	O-RİNG	O-RING	1					
27	S4515016	TAPA	PLUG, HEX. SOCKET	1					
28	S4514939	O-RİNG	O-RING	1					
29	S4515018	TAPA	PLUG, HEX. SOCKET	1					
30	S4514923	O-RİNG	O-RING	4					
31	S4514953	BASKI BURCU	THRUST RING	1					
32	S4514991	ÖN KAPAK	FRONT COVER	1					
33	S4514944	PİM	PIN STOP	4					
34	S4514930	TAPA	PLUG	4					
35	S4514942	PİM, KIRICI UCU	CHISEL PIN	2					
36	S4515020	NİPEL, GRES	GREASE NIPPLE	1					
37	S4515015	TAPA	PLUG HOLLOW	2					
38	S4515025	KÖR TAPA	PLUG	1					
39	F4501420	KIRICI UCU, SİVRİ	CHISEL, MOIL POINT	1					OP
39	F4501425	KIRICI UCU, KESKİ	CHISEL, FLAT	1					OP
40	S4514985	GAZ BASMA VALFİ	GAS VALVE SET	1					
41	S4514927	O-RİNG	O-RING	2					
42	S4515026	NİPEL	ADAPTER	1					
43	S4515000	KAPAK	CAP	1					
44	S4515017	TAPA	PLUG, HEX. SOCKET	2					

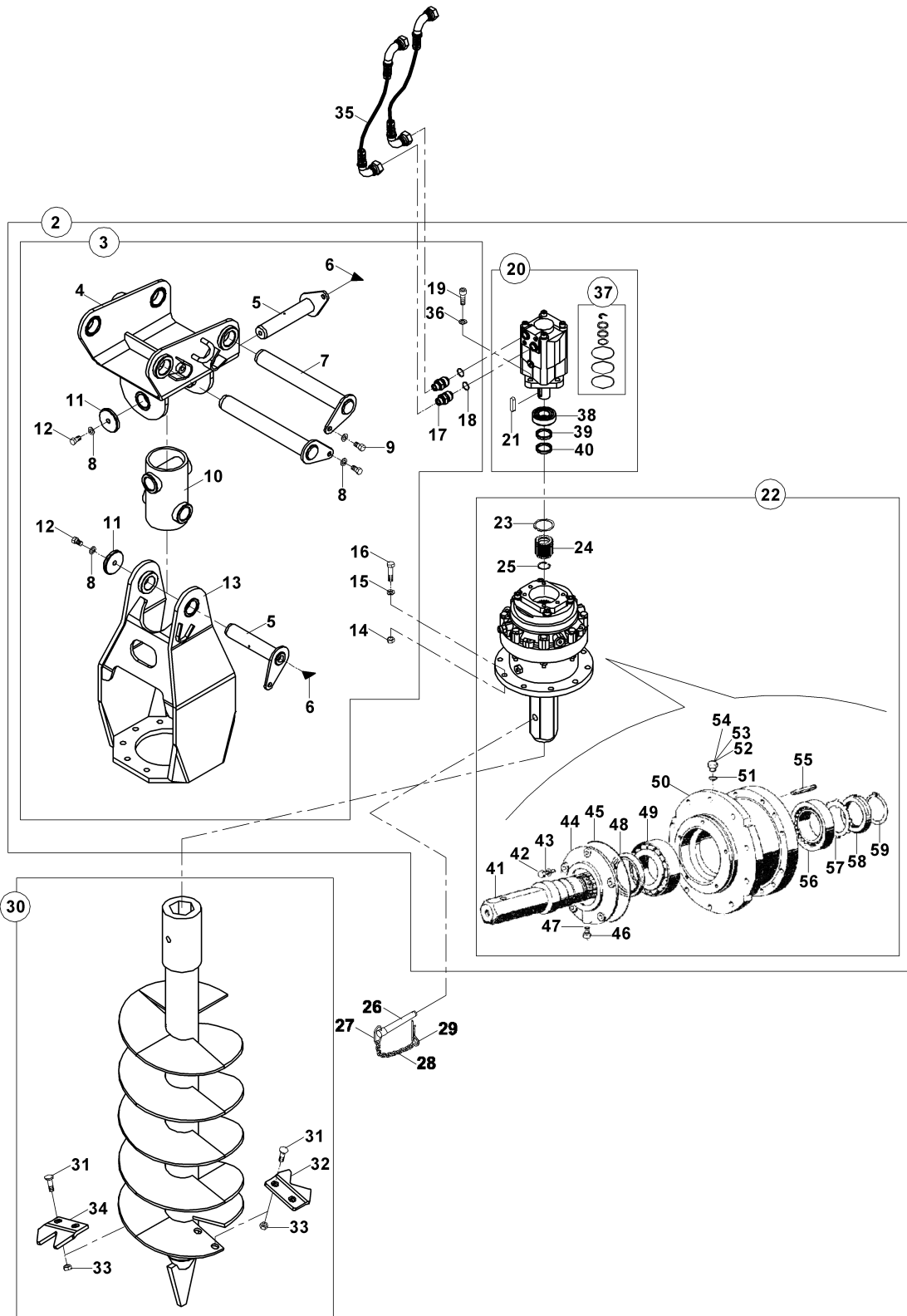
KIRICI KOMPLESİ (DEMO S700V) (OP)
BREAKER ASSEMBLY (DEMO S700V) (OP)



KIRICI KOMPLESİ (DEMO S700V) (OP)
BREAKER ASSEMBLY (DEMO S700V) (OP)

No	Parça No	Parça Adı	Adet	S.K.	Bas.S.N	Bit.S.N	Y.K.	Not
No	Part no	Description	Qty	SC	S/N from	S/N to	ICA	Note
45	S4514911	O-RİNG	2					
46	S4515035	VURUŞ AYARLAYICI	1					
47	S4515014	TAPA	1					
48	S4514925	O-RİNG	1					
49	S4514967	MERKEZLEME PİMİ	2					
100	S4514946	SAPLAMA TAKIMI	1					

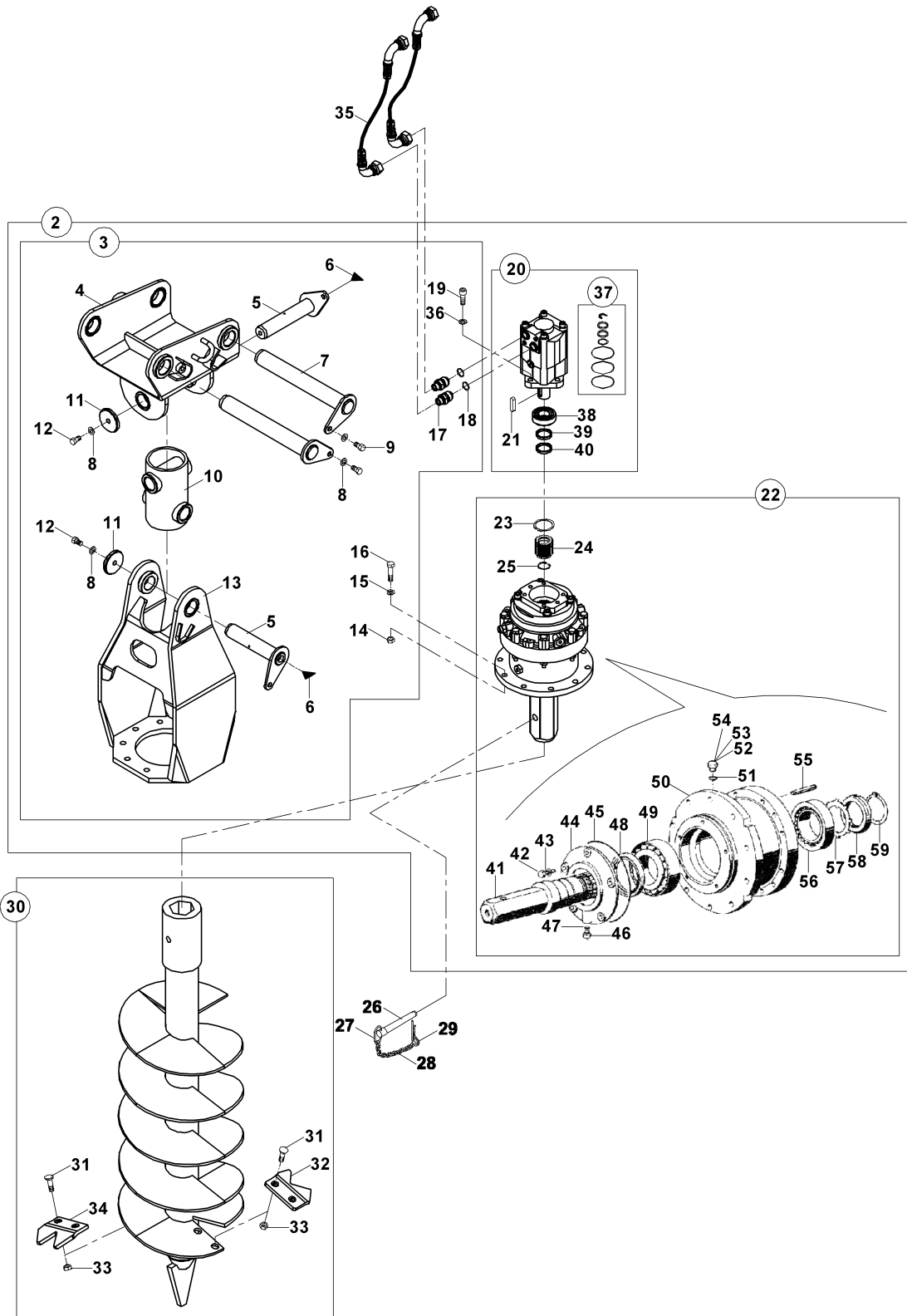
BURGU (Ø350x1000) (OP)
AUGER (Ø350x1000) (OP)



BURGU (Ø350x1000) (OP)
AUGER (Ø350x1000) (OP)

No	Parça No	Parça Adı	Description	Adet	S.K.	Bas.S.N	Bit.S.N	Y.K.	Not
No	Part no			Qty	SC	S/N from	S/N to	ICA	Note
0	07800010	BURGU KOMPLESİ	AUGER ASS'Y	1					
2	07810000	MESNET-MOTOR KOMPLESİ, BURGU	BRACKET-MOTOR ASS'Y, AUGER	1					
3	07810001	MESNET KOMPLESİ, BURGU	BRACKET ASS'Y, AUGER	1					
4	07820000	BRACKET, BURGU	BRACKET, AUGER	1					
5	81101008	PİM K.K.	PIN W.A.	2					
6	N081210020	NİPEL, GRES	NIPPLE, GREASE	2					
7	81101040	PİM K.K.	PIN	2					
8	N032500016	PUL	WASHER	4					
9	N010222798	CIVATA	BOLT	2					
10	07890020	BAĞLANTI K.K.	CONNECTOR W.A.	1					
11	80500685	PUL	WASHER	2					
12	N010222822	CIVATA	BOLT	2					M12x25
13	07820500	BRACKET K.K.	BRACKET W.A.	1					
14	N025900122	SOMUN	NUT	10					M12
15	N030810001	PUL	WASHER	10					
16	N010370866	CIVATA	BOLT	10					M12x50
17	80603075	NİPEL	ADAPTER	2					
17	80624026	NİPEL	ADAPTER	2					
18	N030221252	CONTA	GASKET, COPPER	2					
19	N015871178	CIVATA	BOLT	4					M12x35
19	N010222858	CIVATA	BOLT	4	A				M12x35
20	F4902000	HİDROLİK MOTOR	MOTOR, HYDRAULIC	1					
21	N500100108	KAMA	WEDGE	1					
22	F4901070	DİŞLİ KUTUSU, BURGU	GEAR BOX, AUGER	1					
23	N050020090	SEGMAN	RETAINING RING	1					
24	F4901090	KAPLİN	COUPLING	1					
25	N050220071	SEGMAN	RETAINING RING	1					
26	80110070	PİM	PIN	1					
27	02010320	HALKA	RING	1					
28	N993334012	ZİNCİR	CHAIN	1					
29	N063004064	MAŞALI PİM	COTTER PIN	1					
30	07820600	BURGU (350x1300)	AUGER (350x1300)	1					
30	07820582	BURGU (250x1085)	AUGER (250x1085)	1					
30	07820580	BURGU (230x1300)	AUGER (230x1300)	1					
31	N011660097	CIVATA	BOLT	4					M12x35
32	02020340	KESİCİ TIRNAK	CUTTER TOOTH	1					
33	N023560242	SOMUN	NUT	4					M12
34	02020341	KESİCİ TIRNAK	CUTTER TOOTH	1					
35	6653321190	HORTUM KOMPLESİ	HOSE ASS'Y.	2					
36	N030810001	PUL	WASHER	4					
37	F4902090	KEÇE TAKIMI	SEAL KIT	1					
38	F4902030	RULMAN	BEARING	1					
39	F4902010	KEÇE	SEAL	1					
40	F4902021	KEÇE	SEAL	1					
41	S4901100	MİL	ROD	1					
42	S4901185	CIVATA	SCREW	5					

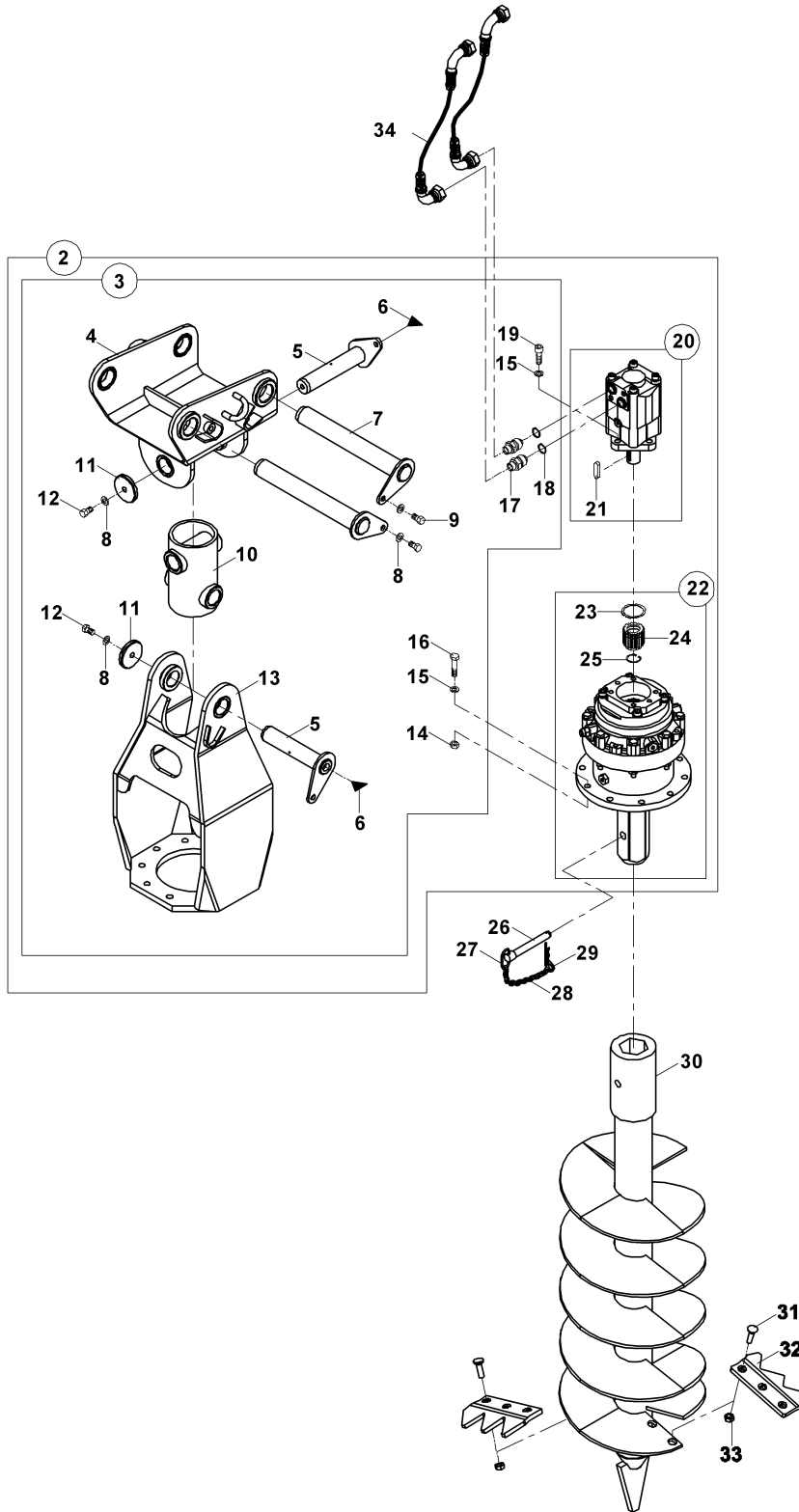
BURGU (Ø350x1000) (OP)
AUGER (Ø350x1000) (OP)



BURGU (Ø350x1000) (OP)
AUGER (Ø350x1000) (OP)

No	Parça No	Parça Adı	Description	Adet	S.K.	Bas.S.N	Bit.S.N	Y.K.	Not
No	Part no			Qty	SC	S/N from	S/N to	ICA	Note
43	S4901190	PUL	WASHER	5					
44	S4901115	KAPAK	COVER	1					
45	S4901130	O-RİNG	O-RING	1					
46	S4901165	TAPA	PLUG	1					
47	S4901135	PUL	WASHER	1					
48	S4901125	KEÇE, YAĞ	OIL SEAL	1					
49	S4901150	RULMAN	BEARING	1					
50	S4901110	GÖVDE, BURGU REDÜKTÖRÜ	SUPPORT	1					
51	S4901140	PUL	WASHER	3					
52	S4901170	TAPA	PLUG	1					
53	S4901175	TAPA	PLUG	1					
54	S4901180	TAPA	PLUG	1					
55	S4901160	YAYLI PİM	SPRING PIN	4					
56	S4901145	RULMAN	BEARING	1					
57	S4901120	KİLİT SACI	LOCKING PLATE	1					
58	S4901195	SOMUN, KİLİT	NUT, LOCK	1					M12
59	S4901155	SEGMAN	RETAINING RING	1					

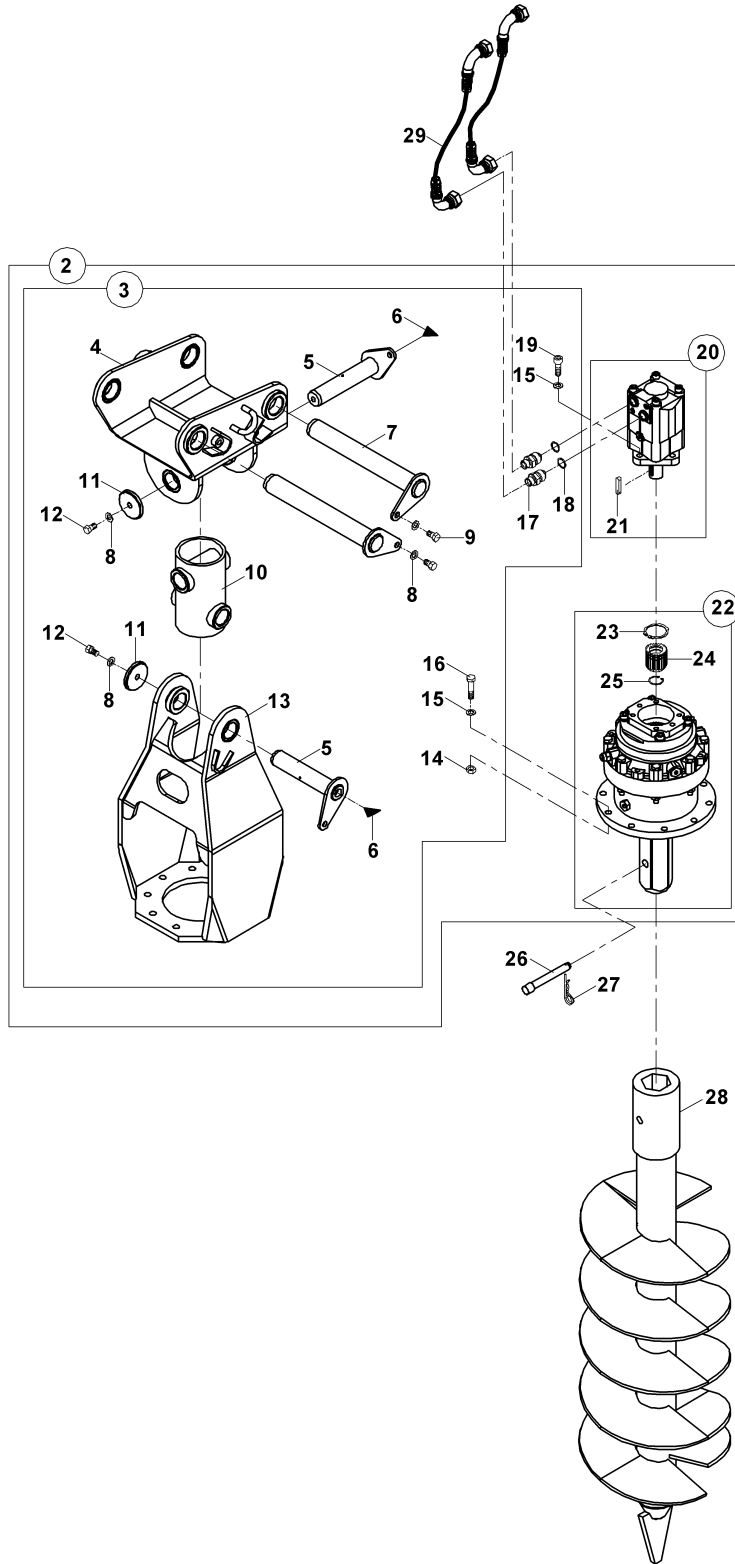
BURGU (Ø500x1300) (OP)
AUGER (Ø500x1300) (OP)



BURGU (Ø500x1300) (OP)
AUGER (Ø500x1300) (OP)

No	Parça No	Parça Adı	Description	Adet	S.K.	Bas.S.N	Bit.S.N	Y.K.	Not
No	Part no			Qty	SC	S/N from	S/N to	ICA	Note
0	07800030	BURGU KOMPLESİ	AUGER ASS'Y	1					
2	07810030	MESNET-MOTOR KOMPLESİ, BURGU	BRACKET-MOTOR ASS'Y, AUGER	1					
3	07810001	MESNET KOMPLESİ, BURGU	BRACKET ASS'Y, AUGER	1					
4	07820000	BRACKET, BURGU	BRACKET, AUGER	1					
5	81101008	PİM K.K.	PIN W.A.	2					
6	N081210020	NİPEL, GRES	NIPPLE, GREASE	2					
7	81101040	PİM K.K.	PIN	2					
8	N032500016	PUL	WASHER	4					M12
9	N010222798	CIVATA	BOLT	2					M12x20
10	07890020	BAĞLANTI K.K.	CONNECTOR W.A.	1					
11	80500685	PUL	WASHER	2					
12	N010222822	CIVATA	BOLT	2					M12x25
13	07820500	BRACKET K.K.	BRACKET W.A.	1					
14	N023570242	SOMUN	NUT	10					M12
15	N030810001	PUL	WASHER	14					M12
16	N010370866	CIVATA	BOLT	10					M12x50
17	80603075	NİPEL	ADAPTER	2					
17	80624026	NİPEL	ADAPTER	2					
18	N030221252	CONTA	GASKET, COPPER	2					21x25x2
19	N015871178	CIVATA	BOLT	4					M12x35
19	N010222858	CIVATA	BOLT	4	A				M12x35
20	F1417800	HİDROLİK MOTOR	MOTOR, HYDRAULIC	1					
21	N500100108	KAMA	WEDGE	1					
22	F4901070	DİŞLİ KUTUSU, BURGU	GEAR BOX, AUGER	1					
22	F4901000	DİŞLİ KUTUSU, BURGU	GEAR BOX, AUGER	1	A				
23	N050020090	SEGMAN	RETAINING RING	1					
24	F4901090	KAPLİN	COUPLING	1					
25	N050220071	SEGMAN	RETAINING RING	1					
26	80110070	PİM	PIN	1					
27	02010320	HALKA	RING	1					
28	N993334012	ZİNCİR	CHAIN	1					
29	N063004064	MAŞALI PİM	COTTER PIN	1					
30	07820700	BURGU (500x1300)	AUGER (500x1300)	1					
31	N011660097	CIVATA	BOLT	6					M12x35
31	N015610112	CIVATA	BOLT	6	A				
32	02030345	KESİCİ TIRNAK	CUTTER	2					
33	N023560242	SOMUN	NUT	6					M12
33	N028660172	SOMUN	NUT	6	A				M12
34	6653321190	HORTUM KOMPLESİ	HOSE ASS'Y.	2					

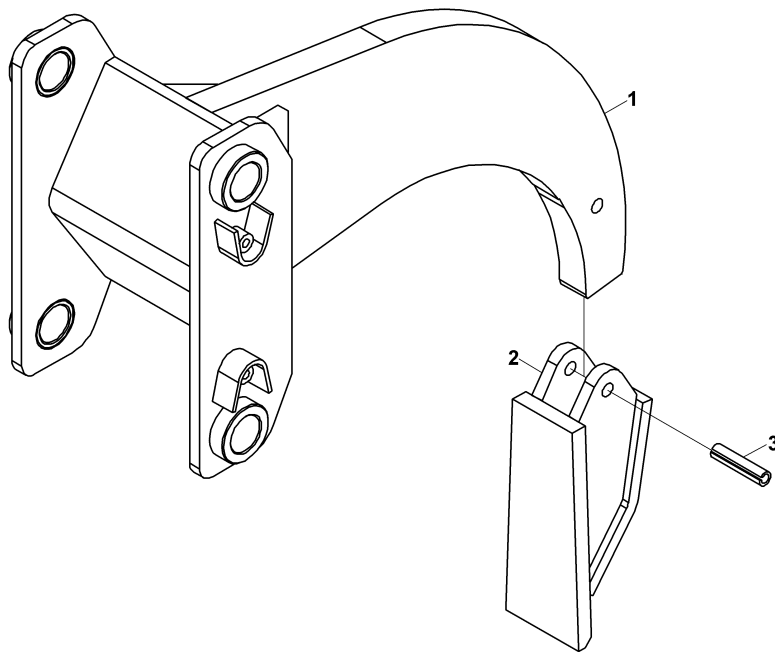
BURGU (Ø610x1600) (OP)
AUGER (Ø610x1600) (OP)



BURGU (Ø610x1600) (OP)
AUGER (Ø610x1600) (OP)

No	Parça No	Parça Adı	Description	Adet	S.K.	Bas.S.N	Bit.S.N	Y.K.	Not
No	Part no			Qty	SC	S/N from	S/N to	ICA	Note
0	07800040	BURGU KOMPLESİ	AUGER ASS'Y	1					
2	07810030	MESNET-MOTOR KOMPLESİ, BURGU	BRACKET-MOTOR ASS'Y, AUGER	1					
3	07810001	MESNET KOMPLESİ, BURGU	BRACKET ASS'Y, AUGER	1					
4	07820000	BRACKET, BURGU	BRACKET, AUGER	1					
5	81101008	PİM K.K.	PIN W.A.	2					
6	N081210020	NİPEL, GRES	NIPPLE, GREASE	2					
7	81101040	PİM K.K.	PIN	2					
8	N032500016	PUL	WASHER	4					
9	N010222798	CIVATA	BOLT	2					M12x20
10	07890020	BAĞLANTI K.K.	CONNECTOR W.A.	1					
11	80500685	PUL	WASHER	2					
12	N010222822	CIVATA	BOLT	2					M12x25
13	07820500	BRACKET K.K.	BRACKET W.A.	1					
14	N023570242	SOMUN	NUT	10					M12
15	N030810001	PUL	WASHER	14					~12
16	N010370866	CIVATA	BOLT	10					M12x50
17	80603075	NİPEL	ADAPTER	2					
17	80624026	NİPEL	ADAPTER	2					
18	N030221252	CONTA	GASKET, COPPER	2					~21x~25x2
19	N015871178	CIVATA	BOLT	4					M12x35
19	N010222858	CIVATA	BOLT	4	A				M12x35
20	F1417800	HİDROLİK MOTOR	MOTOR, HYDRAULIC	1					
21	N500100108	KAMA	WEDGE	1					
22	F4901070	DİŞLİ KUTUSU, BURGU	GEAR BOX, AUGER	1					
22	F4901000	DİŞLİ KUTUSU, BURGU	GEAR BOX, AUGER	1	A				
23	N050020090	SEGMAN	RETAINING RING	1					
24	F4901090	KAPLİN	COUPLING	1					
25	N050220071	SEGMAN	RETAINING RING	1					
26	80110070	PİM	PIN	1					
27	N063004064	MAŞALI PİM	COTTER PIN	1					
28	07820800	BURGU (610x1400)	AUGER (610x1400)	1					
29	6653321190	HORTUM KOMPLESİ	HOSE ASS'Y.	2					

RIPER (OP)
RIPPER (OP)



**RİPER (OP)
RIPPER (OP)**

No	Parça No	Parça Adı	Adet	S.K.	Bas.S.N	Bit.S.N	Y.K.	Not
No	Part no	Description	Qty	SC	S/N from	S/N to	ICA	Note
0	06510100	RİPER	1					
1	06520100	RİPER K.K.	1					
2	81010655	TIRNAK, RİPER	1					
3	N156453438	PİM	1					

E - GÜÇ AKTARMA SİSTEMİ

E - POWER TRAIN SYSTEM

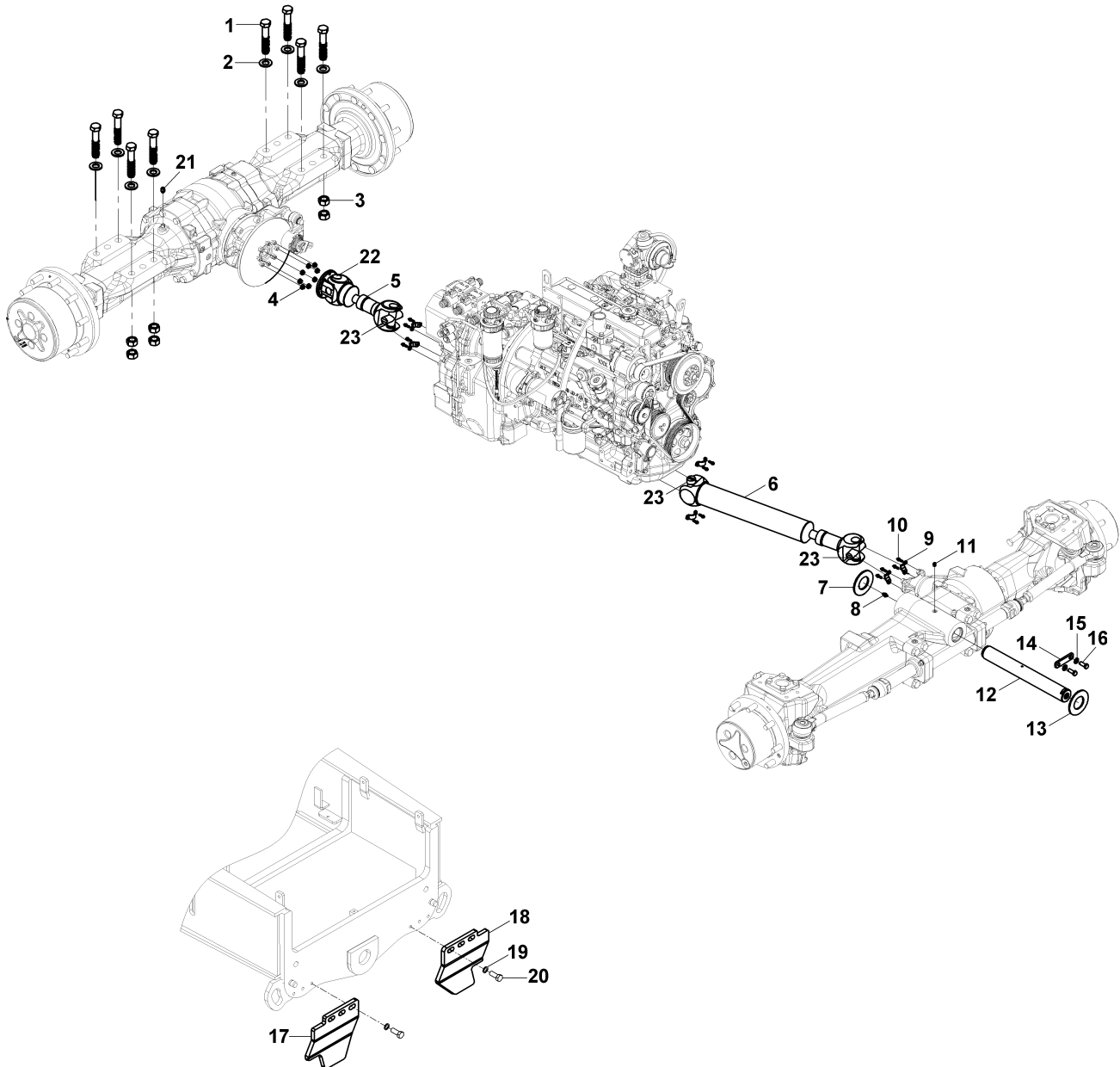
Sayfa No / Page No	Sayfa Adı	Page Name	Revizyon / Revision
E010.06.01	GÜÇ AKTARMA MONTAJI	POWER TRAIN MOUNTING	
E020.00.01	TEKER VE LASTİK GRUBU, ÖN	WHELL & TIRE GROUP, FRONT	
E020.01.01	TEKER VE LASTİK GRUBU, ÖN	WHELL & TIRE GROUP, FRONT	
E030.01.01	TEKER VE LASTİK GRUBU, ARKA	WHEEL & TIRE GROUP, REAR	
E030.02.01	TEKER VE LASTİK GRUBU, ARKA	WHEEL & TIRE GROUP, REAR	
E030.03.01	TEKER VE LASTİK GRUBU, ARKA	WHEEL & TIRE GROUP, REAR	
E040.04.01	ÖN AKS	FRONT AXLE	
E040.04.02	ÖN AKS, AYNA MAHRUTİ	FRONT AXLE, BEVER GEAR SET	
E040.04.03	ÖN AKS, ŞAFT BAĞLANTISI	FRONT AXLE, INPUT FLANGE	
E040.04.04	ÖN AKS, ŞAFT DİFERANSİYEL	FRONT AXLE, DIFFERENTIAL	
E040.04.05	ÖN AKS, KOVAN PARÇALARI	FRONT AXLE, AXLE CASING PARTS	
E040.04.06	ÖN AKS, POYRA	FRONT AXLE, HUB	
E040.04.07	ÖN AKS, PLANET DİŞLİ GRUBU	FRONT AXLE, PLANETARY DRIVE	
E040.04.08	ÖN AKS, DİREKSİYON SİLİNDİRİ	FRONT AXLE, STEERING CYLINDER	
E040.04.09	ÖN AKS, AKS KOVANLARI	FRONT AXLE, AXLE CASING	
E040.04.10	ÖN AKS, AKS BAŞI MONTAJI	FRONT AXLE, JOINT HOUSING MOUNTING	
E050.03.01	ARKA AKS	REAR AKS	
E050.03.02	ARKA AKS, AYNA MAHRUTİ	REAR AXLE, BEVEL GEAR SET	
E050.03.03	ARKA AKS, ŞAFT BAĞLANTISI	REAR AXLE, INPUT FLANGE	
E050.03.04	ARKA AKS, DİFERANSİYEL	REAR AXLE, DIFFERENTIAL	
E050.03.05	ARKA AKS, ÇOKLU DİSK FRENİ	REAR AXLE, M- DISC BRAKE	
E050.03.06	ARKA AKS, AKS KOVANLARI	REAR AXLE, AXLE CASING PARTS	
E050.03.07	ARKA AKS, POYRA VE PLANET DİŞLİ GRUBU	REAR AXLE, HUB AND PLANETARY DRIVE	
E050.03.08	ARKA AKS, PARK FRENİ	REAR AXLE, PARK BRAKE	
E050.03.09	ARKA AKS, AKS KOVAN PARÇALARI	REAR AXLE, AXLE CASING PARTS	
E060.01.01	ŞANZIMAN	TRANSMISSION	
E060.01.02	ŞANZIMAN, TORK KONVERTÖR (STANDART)	TRANSMISSION, TORQUE CONVERTER ARRANGMENT (STANDARD)	
E060.01.03	ŞANZIMAN, POMPA GRUBU	TRANSMISSION, PUMP GROUP	
E060.01.04	ŞANZIMAN, TRANSMİSYON GÖVDESİ, ÖN (STANDART)	TRANSMISSION, FRONT CASING AND ANCILLIARIES (STANDARD)	
E060.01.05	ŞANZIMAN, VALF GRUBU	TRANSMISSION, VALVE GROUP	
E060.01.06	ŞANZIMAN, TRANSMİSYON GÖVDESİ, ARKA (STANDART)	TRANSMISSION, REAR CASING AND ANCILLIARIES (STANDARD)	
E060.01.07	ŞANZIMAN, KAVRAMA DİSK GRUBU	TRANSMISSION, CLUTCH GROUP	

E - GÜÇ AKTARMA SİSTEMİ

E - POWER TRAIN SYSTEM

Sayfa No / Page No	Sayfa Adı	Page Name	Revizyon / Revision
E060.01.08	ŞANZIMAN, KAVRAMA GRUBU, ANA (STANDART)	TRANSMISSION, SHAFT GROUP - MAIN (STANDARD)	
E060.01.09	ŞANZIMAN, KAVRAMA GRUBU, AVARE DİŞLİ	TRANSMISSION, SHAFT GROUP IDLER	
E060.01.10	ŞANZIMAN, KAVRAMA GRUBU, GİRİŞ (STANDART)	TRANSMISSION, SHAFT GROUP INPUT (STANDARD)	
E060.01.11	ŞANZIMAN, ŞAFT GRUBU, PTO (STANDART)	TRANSMISSION, SHAFT GROUP PTO (STANDARD)	
E060.01.12	ŞANZIMAN, KAVRAMA GRUBU, GERİ (STANDART)	TRANSMISSION, SHAFT GROUP COUNTER (STANDARD)	
E060.02.01	ŞANZIMAN (LUCK-UP)	TRANSMISSION (LUCK-UP)	
E060.02.02	ŞANZIMAN, TORK KONVERTÖR (LUCK-UP)	TRANSMISSION, TORQUE CONVERTER ARRANGMENT (LUCK-UP)	
E060.02.03	ŞANZIMAN, POMPA GRUBU	TRANSMISSION, PUMP GROUP	
E060.02.04	ŞANZIMAN, TRANSMİSYON GÖVDESİ, ÖN (LUCK-UP)	TRANSMISSION, FRONT CASING AND ANCILLIARIES (LUCK-UP)	
E060.02.05	ŞANZIMAN, VALF GRUBU	TRANSMISSION, VALVE GROUP	
E060.02.06	ŞANZIMAN, TRANSMİSYON GÖVDESİ, ARKA (LUCK-UP)	TRANSMISSION, REAR CASING AND ANCILLIARIES (LUCK-UP)	
E060.02.07	ŞANZIMAN, KAVRAMA DİSK GRUBU	TRANSMISSION, CLUTCH GROUP	
E060.02.08	ŞANZIMAN, KAVRAMA GRUBU, ANA (LUCK-UP)	TRANSMISSION, SHAFT GROUP - MAIN (LUCK-UP)	
E060.02.09	ŞANZIMAN, KAVRAMA GRUBU, AVARE DİŞLİ	TRANSMISSION, SHAFT GROUP IDLER	
E060.02.10	ŞANZIMAN, KAVRAMA GRUBU, GİRİŞ (LUCK-UP)	TRANSMISSION, SHAFT GROUP INPUT (LUCK-UP)	
E060.02.11	ŞANZIMAN, ŞAFT GRUBU, PTO (LUCK-UP)	TRANSMISSION, SHAFT GROUP PTO (LUCK-UP)	
E060.02.12	ŞANZIMAN, KAVRAMA GRUBU, GERİ (LUCK-UP)	TRANSMISSION, SHAFT GROUP COUNTER (LUCK-UP)	
E070.00.01	PARK FRENİ	PARKING BRAKE	

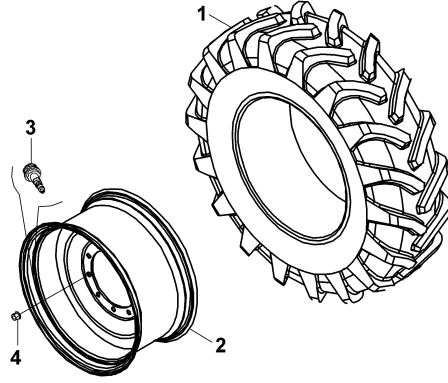
GÜÇ AKTARMA MONTAJI POWER TRAIN MOUNTING



GÜÇ AKTARMA MONTAJI POWER TRAIN MOUNTING

No	Parça No	Parça Adı	Description	Adet	S.K.	Bas.S.N	Bit.S.N	Y.K.	Not
No	Part no			Qty	SC	S/N from	S/N to	ICA	Note
1	N013621657	HUB - DAMPER	BOLT	8					
2	80500640	PUL	WASHER	4					
3	N028660278	SOMUN	NUT	16					
4	N025910110	SOMUN	NUT	8					
5	F1012199	ARKA ŞAFT	REAR PROPSHAFT	1					
6	F1012198	ÖN ŞAFT	FRONT PROPSHAFT	1					
7	F9973121	BASKI PULU	THRUST WASHER	1					
8	N081210020	NİPEL, GRES	NIPPLE, GREASE	1					
9	F1010060	KELEPÇE, ŞAFT İSTAVROZ	STRAP	6					
10	F1010061	CIVATA	BOLT	12					
11	81404100	TAPA	PLUG	1					
12	80120106	PİM, ÖN AKS	PIN	1					
13	F9973120	BASKI PULU	THRUST WASHER	1					
14	02001519	KAMA	KEY	1					
15	N030810001	PUL	WASHER	2					
16	N010232846	CIVATA	BOLT	2					M12x30
17	02012848	MUHAFAZA SACI, SOL	PROTECTION PLATE	1					
18	02012847	MUHAFAZA SACI, SAĞ	PROTECTION PLATE	1					
19	N030810001	PUL	WASHER	6					
20	N010232846	CIVATA	BOLT	6					M12x30
21	S0642981	HAVALANDIRMA VALFİ	BREATHER	1					
22	F0618953	İSTAVROZ KİTİ	SPIDER KIT	1					
23	F0618954	İSTAVROZ KİTİ	SPIDER KIT	3					

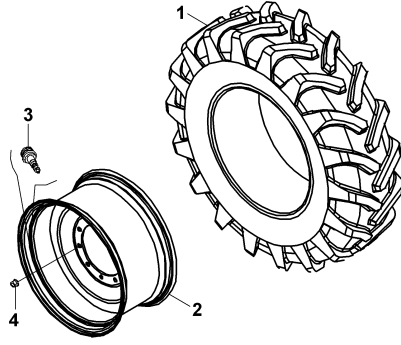
TEKER VE LASTİK GRUBU, ÖN
WHELL & TIRE GROUP, FRONT



**TEKER VE LASTİK GRUBU, ÖN
WHELL & TIRE GROUP, FRONT**

No	Parça No	Parça Adı	Adet	S.K.	Bas.S.N	Bit.S.N	Y.K.	Not
No	Part no	Description	Qty	SC	S/N from	S/N to	ICA	Note
1	F4264500	LASTİK, ÖN, 16.0 / 70-20 PR	2					
2	F4190726	JANT	2					
3	F9906200	LASTİK SUPABI	2					
4	80409600	BİJON SOMUNU	16					

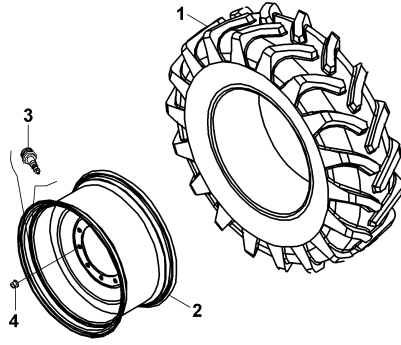
TEKER VE LASTİK GRUBU, ÖN
WHELL & TIRE GROUP, FRONT



**TEKER VE LASTİK GRUBU, ÖN
WHELL & TIRE GROUP, FRONT**

No	Parça No	Parça Adı	Adet	S.K.	Bas.S.N	Bit.S.N	Y.K.	Not
No	Part no	Description	Qty	SC	S/N from	S/N to	ICA	Note
1	F4264600	LASTİK, ÖN	2					
2	F4190727	JANT	2					
3	F9906200	LASTİK SUPABI	2					
4	80409600	BİJON SOMUNU	16					

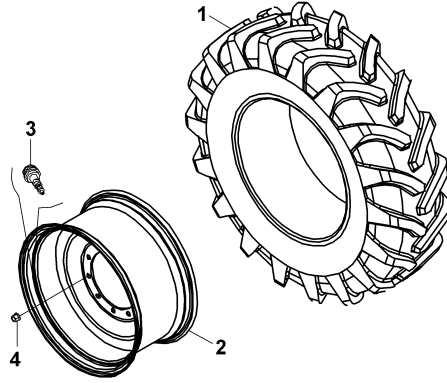
TEKER VE LASTİK GRUBU, ARKA
WHEEL & TIRE GROUP, REAR



**TEKER VE LASTİK GRUBU, ARKA
WHEEL & TIRE GROUP, REAR**

No	Parça No	Parça Adı	Adet	S.K.	Bas.S.N	Bit.S.N	Y.K.	Not
No	Part no	Description	Qty	SC	S/N from	S/N to	ICA	Note
1	F4264800	LASTİK, ARKA, 16.9-28	2					
2	F4190967	JANT	2					
3	F9906200	LASTİK SUPABI	2					
4	80409600	BİJON SOMUNU	20					

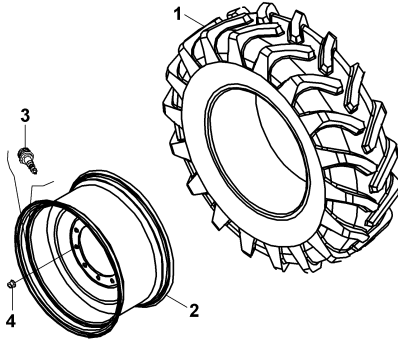
TEKER VE LASTİK GRUBU, ARKA
WHEEL & TIRE GROUP, REAR



**TEKER VE LASTİK GRUBU, ARKA
WHEEL & TIRE GROUP, REAR**

No	Parça No	Parça Adı	Adet	S.K.	Bas.S.N	Bit.S.N	Y.K.	Not
No	Part no	Description	Qty	SC	S/N from	S/N to	ICA	Note
1	F4263410	LASTİK, ARKA 18.4-26.12 PR	2					
2	F4190969	JANT	2					
3	F9906200	LASTİK SUPABI	2					
4	80409600	BİJON SOMUNU	20					

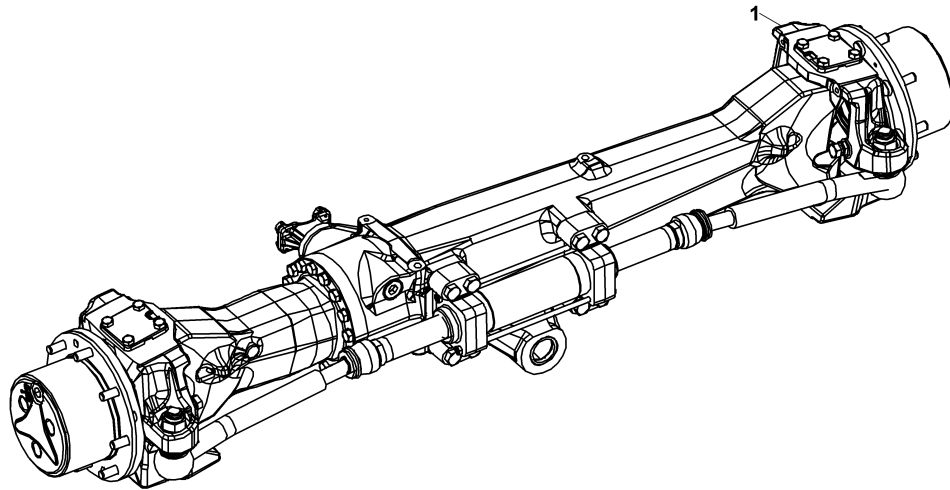
TEKER VE LASTİK GRUBU, ARKA
WHEEL & TIRE GROUP, REAR



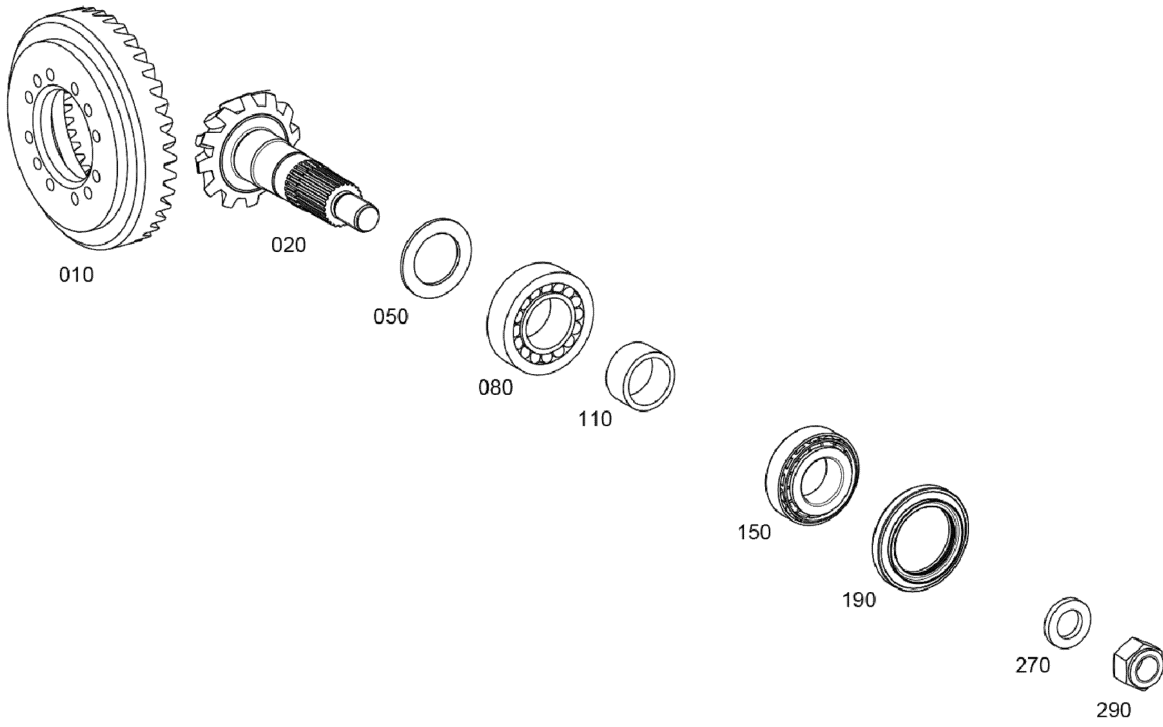
**TEKER VE LASTİK GRUBU, ARKA
WHEEL & TIRE GROUP, REAR**

No	Parça No	Parça Adı	Adet	S.K.	Bas.S.N	Bit.S.N	Y.K.	Not
No	Part no	Description	Qty	SC	S/N from	S/N to	ICA	Note
1	F4264200	LASTİK, ARKA, 16.9-28	2					
2	F4190967	JANT	2					
3	F9906200	LASTİK SUPABI	2					
4	80409600	BİJON SOMUNU	20					

ÖN AKS
FRONT AXLE



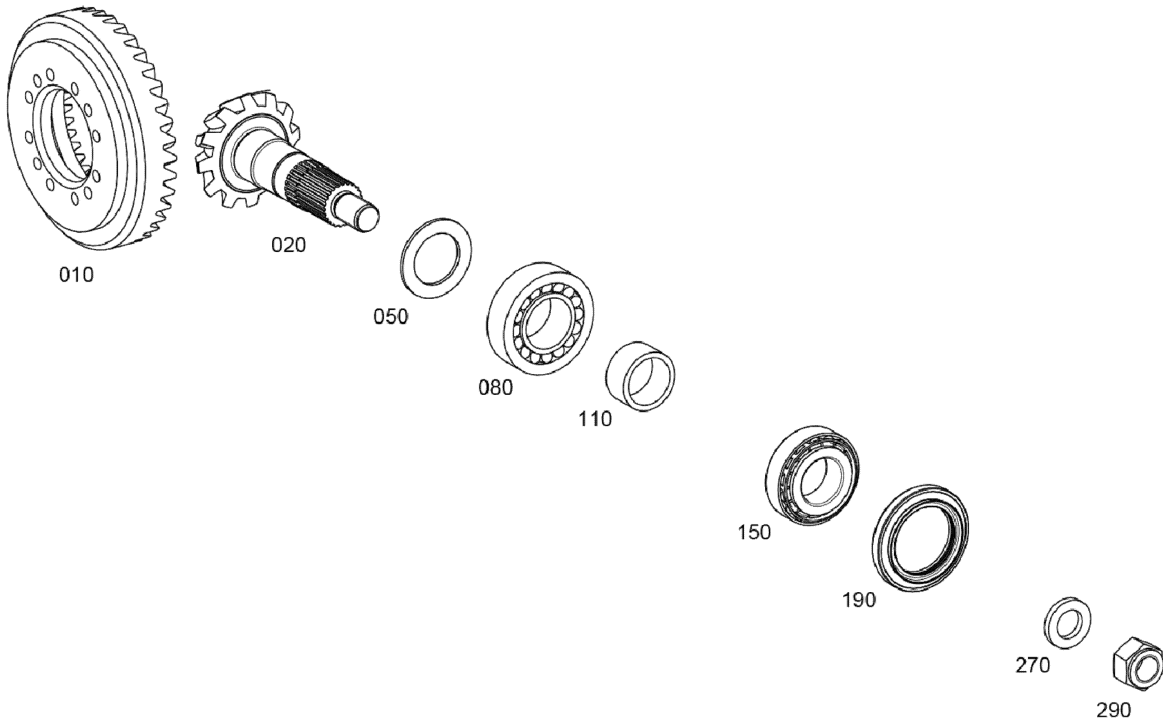
**ÖN AKS, AYNA MAHRUTİ
FRONT AXLE, BEVER GEAR SET**



**ÖN AKS, AYNA MAHRUTİ
FRONT AXLE, BEVER GEAR SET**

No	Parça No	Parça Adı	Adet	S.K.	Bas.S.N	Bit.S.N	Y.K.	Not
No	Part no	Description	Qty	SC	S/N from	S/N to	ICA	Note
010	S0644140	AYNA DIŞLI	1					
020	S0644141	DIŞLI, PINYON	1					
050	S0644142	PUL	GK					S =1,0
050	S0644143	PUL	GK					S =1,05
050	S0644144	PUL	GK					S =1,1
050	S0644145	PUL	GK					S =1,15
050	S0644146	PUL	GK					S =1,2
050	S0644147	PUL	GK					S =1,25
050	S0644148	PUL	GK					S =1,3
050	S0644149	PUL	GK					S =1,35
050	S0644150	PUL	GK					S =1,4
050	S0644151	PUL	GK					S =1,45
050	S0644152	PUL	GK					S =1,5
050	S0644153	PUL	GK					S =1,55
050	S0644154	PUL	GK					S =1,6
050	S0644155	PUL	GK					S =0,9
050	S0644156	PUL	GK					S =0,95
050	S0644157	PUL	GK					S =0,65
050	S0644158	PUL	GK					S =0,70
050	S0644159	PUL	GK					S =0,75
050	S0644160	PUL	GK					S =0,85
050	S0644161	PUL	GK					S =0,80
080	S0642902	RULMAN	1					
110	S0644162	BİLEZİK	1					S =15,1
110	S0644163	BİLEZİK	GK					S =15,2
110	S0644164	BİLEZİK	GK					S =15,3
110	S0644165	BİLEZİK	GK					S =15,4
110	S0644166	BİLEZİK	GK					S =15,5
110	S0644167	BİLEZİK	GK					S =15,6
110	S0644168	BİLEZİK	GK					S =15,7
110	S0644169	BİLEZİK	GK					S =15,8
110	S0644170	BİLEZİK	GK					S =15,9
110	S0644171	BİLEZİK	GK					S =16,0
110	S0644172	BİLEZİK	GK					S =16,1
110	S0644173	BİLEZİK	GK					S =16,2
110	S0644174	BİLEZİK	GK					S =16,3
110	S0644175	BİLEZİK	GK					S =16,4
110	S0644176	BİLEZİK	GK					S =16,26
110	S0644177	BİLEZİK	GK					S =16,23
110	S0644178	BİLEZİK	GK					S =16,16
110	S0644179	BİLEZİK	GK					S =16,13
110	S0644180	BİLEZİK	GK					S =16,06
110	S0644181	BİLEZİK	GK					S =16,03
110	S0644182	BİLEZİK	GK					S =15,96
110	S0644183	BİLEZİK	GK					S =15,93
110	S0644184	BİLEZİK	GK					S =15,86
110	S0644185	BİLEZİK	GK					S =15,83

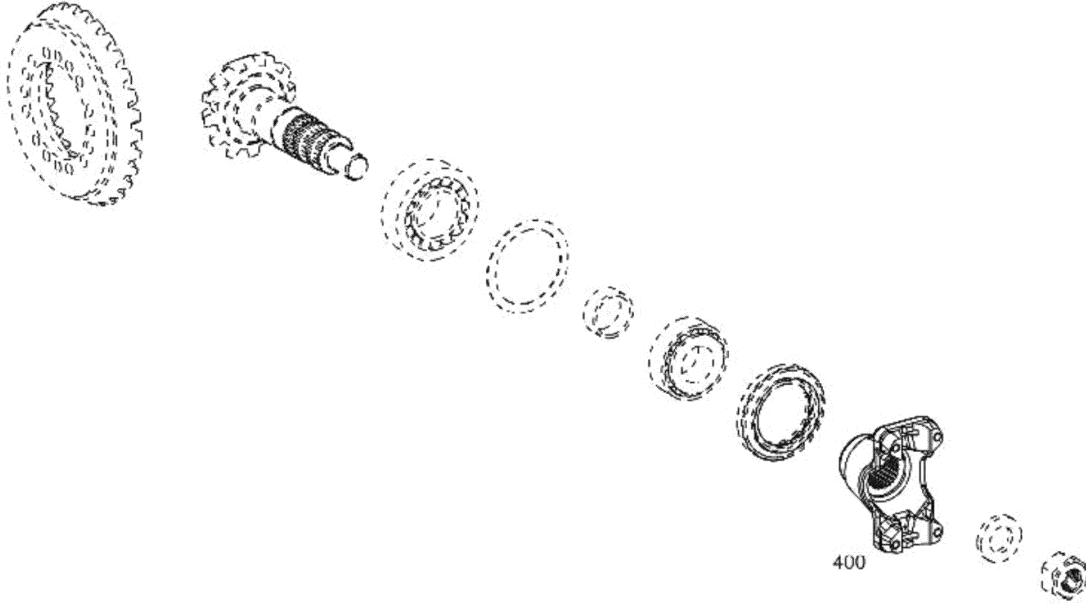
**ÖN AKS, AYNA MAHRUTİ
FRONT AXLE, BEVER GEAR SET**



**ÖN AKS, AYNA MAHRUTİ
FRONT AXLE, BEVER GEAR SET**

No	Parça No	Parça Adı	Description	Adet	S.K.	Bas.S.N	Bit.S.N	Y.K.	Not
No	Part no			Qty	SC	S/N from	S/N to	ICA	Note
110	S0644186	BİLEZİK	RING	GK					S =15,76
110	S0644187	BİLEZİK	RING	GK					S =15,73
110	S0644188	BİLEZİK	RING	GK					S =15,66
110	S0644189	BİLEZİK	RING	GK					S =15,63
110	S0644190	BİLEZİK	RING	GK					S =15,56
110	S0644191	BİLEZİK	RING	GK					S =15,53
110	S0644192	BİLEZİK	RING	GK					S =15,46
110	S0644193	BİLEZİK	RING	GK					S =15,43
110	S0644194	BİLEZİK	RING	GK					S =15,36
110	S0644195	BİLEZİK	RING	GK					S =15,33
110	S0644196	BİLEZİK	RING	GK					S =15,26
110	S0644197	BİLEZİK	RING	GK					S =15,38
110	S0644198	BİLEZİK	RING	GK					S =15,48
110	S0644199	BİLEZİK	RING	GK					S =15,58
110	S0644200	BİLEZİK	RING	GK					S =15,68
110	S0644201	BİLEZİK	RING	GK					S =15,69
110	S0644202	BİLEZİK	RING	GK					S =15,72
110	S0644203	BİLEZİK	RING	GK					S =1578
110	S0644204	BİLEZİK	RING	GK					S =15,81
110	S0644205	BİLEZİK	RING	GK					S =15,84
110	S0644206	BİLEZİK	RING	GK					S =15,88
110	S0644207	BİLEZİK	RING	GK					S =15,89
110	S0644208	BİLEZİK	RING	GK					S =15,91
110	S0644209	BİLEZİK	RING	GK					S =15,94
110	S0644210	BİLEZİK	RING	GK					S =15,97
150	S0644211	RULMAN	TA.ROLLER BEARING	1					
190	S0644212	YAĞ KEÇESİ	MULTI SEALING RING	1					
270	S0643011	PUL	WASHER	1					
290	S0643012	SOMUN	HEXAGON NUT	1					

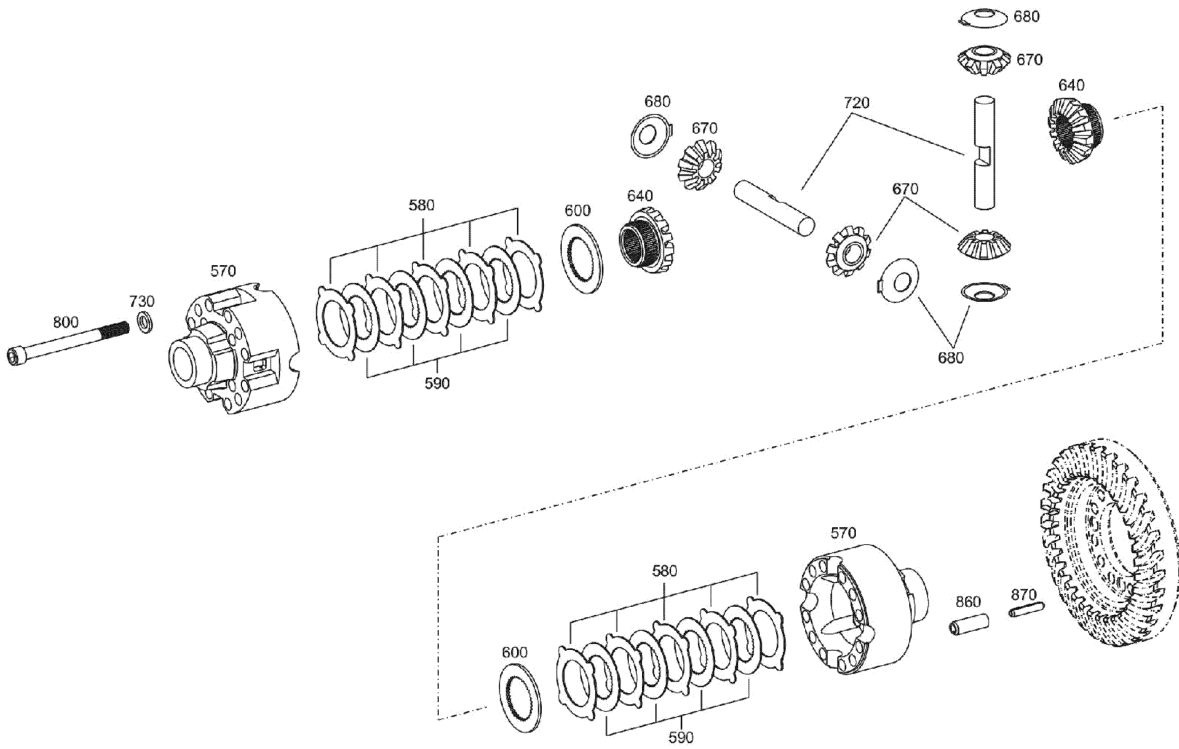
ÖN AKS, ŞAFT BAĞLANTISI
FRONT AXLE, INPUT FLANGE



**ÖN AKS, ŞAFT BAĞLANTISI
FRONT AXLE, INPUT FLANGE**

No	Parça No	Parça Adı	Adet	S.K.	Bas.S.N	Bit.S.N	Y.K.	Not
No	Part no	Description	Qty	SC	S/N from	S/N to	ICA	Note
400	S0642757	ÇATAL, ŞAFT BAĞLANTI	1					
		END YOKE						

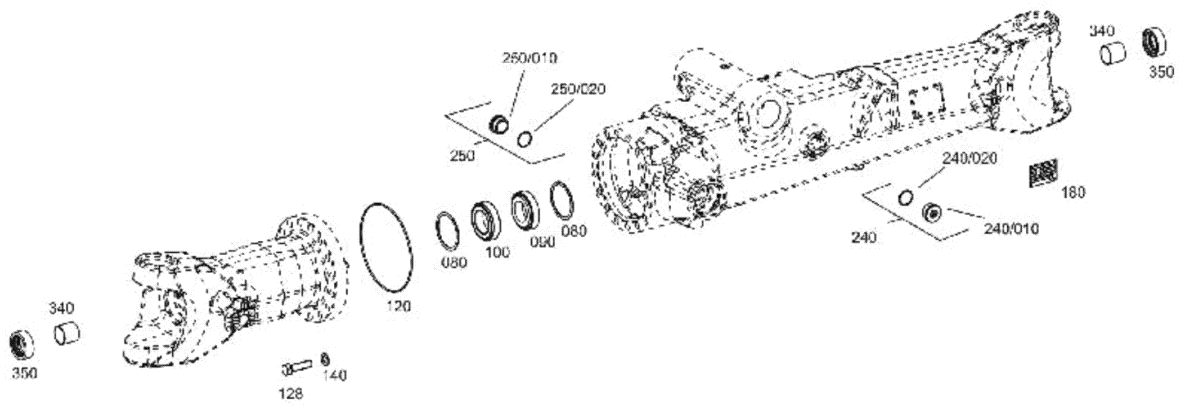
ÖN AKS, ŞAFT DİFERANSİYEL FRONT AXLE, DIFFERENTIAL



**ÖN AKS, ŞAFT DİFERANSİYEL
FRONT AXLE, DIFFERENTIAL**

No	Parça No	Parça Adı	Adet	S.K.	Bas.S.N	Bit.S.N	Y.K.	Not
No	Part no	Description	Qty	SC	S/N from	S/N to	ICA	Note
570	S0644213	ISTAVROZ KUTUSU	1					
580	S0642760	KAVRAMA DİSKİ	GK					
580	S0644214	KAVRAMA DİSKİ	GK					
580	S0644215	KAVRAMA DİSKİ	GK					
590	S0642763	KAVRAMA BALATSI	8					
600	S0644216	BASKI PULU	2					
640	S0644217	DİŞLİ, ISTAVROZ	2					
670	S0644218	DİŞLİ, ISTAVROZ	4					
680	S0644219	PUL	4					
720	S0644220	ISTAVROZ KUTUSU	2					
730	S0644221	PUL	12					
800	S0644222	CIVATA	12					
860	S0644223	PİM	4					
870	S0644224	PİM	4					

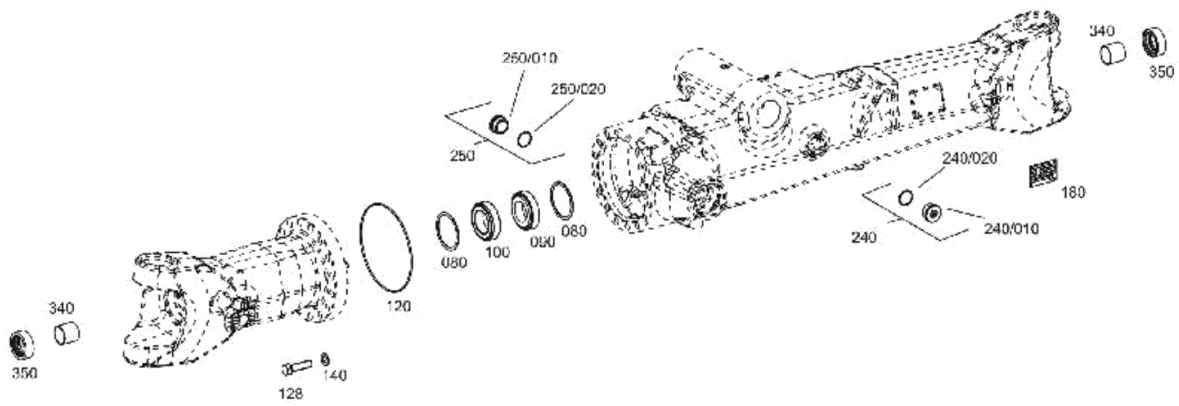
ÖN AKS, KOVAN PARÇALARI FRONT AXLE, AXLE CASING PARTS



ÖN AKS, KOVAN PARÇALARI
FRONT AXLE, AXLE CASING PARTS

No	Parça No	Parça Adı	Adet	S.K.	Bas.S.N	Bit.S.N	Y.K.	Not
No	Part no	Description	Qty	SC	S/N from	S/N to	ICA	Note
080	S0643037	ŞİM	2					S =2
080	S0643038	ŞİM	GK					S =1,95
080	S0643039	ŞİM	GK					S =1,90
080	S0643040	ŞİM	GK					S =1,85
080	S0643041	ŞİM	GK					S =1,80
080	S0643042	ŞİM	GK					S =1,75
080	S0643043	ŞİM	GK					S =1,70
080	S0644039	ŞİM	GK					S =1,65
080	S0644040	ŞİM	GK					S =1,60
080	S0644041	ŞİM	GK					S =1,55
080	S0644042	ŞİM	GK					S =1,50
080	S0644043	ŞİM	GK					S =1,45
080	S0643044	ŞİM	GK					S =1,40
080	S0643045	ŞİM	GK					S =1,20
080	S0643046	ŞİM	GK					S =1,00
080	S0643047	ŞİM	GK					S =0,80
080	S0643048	ŞİM	GK					
080	S0643049	ŞİM	GK					S =0,50
080	S0644044	ŞİM	GK					
080	S0643050	ŞİM	GK					S =0,30
080	S0643051	ŞİM	GK					S =0,20
080	S0643050	ŞİM	GK					S =0,10
080	S0644045	ŞİM	GK					S =0,65
080	S0644046	ŞİM	GK					S =0,70
080	S0644047	ŞİM	GK					S =0,75
080	S0644048	ŞİM	GK					S =0,85
080	S0644049	ŞİM	GK					S =0,90
080	S0644050	ŞİM	GK					S =0,95
080	S0644051	ŞİM	GK					S =1,10
080	S0644052	ŞİM	GK					S =1,15
080	S0644053	ŞİM	GK					S =1,25
080	S0644054	ŞİM	GK					S =1,30
080	S0644055	ŞİM	GK					S =1,35
080	S0644056	ŞİM	GK					S =0,45
080	S0644057	ŞİM	GK					S =0,55
080	S0644058	ŞİM	GK					S =1,05
080	S0643053	ŞİM	GK					S =2,05
080	S0643054	ŞİM	GK					S =2,10
080	S0643055	ŞİM	GK					S =2,15
080	S0643056	ŞİM	GK					S =2,20
080	S0643057	ŞİM	GK					S =2,25
080	S0643058	ŞİM	GK					S =2,30
080	S0643059	ŞİM	GK					S =2,35
080	S0643060	ŞİM	GK					S =2,40
080	S0643061	ŞİM	GK					S =2,45
080	S0643062	ŞİM	GK					S =2,50
090	S0643063	RULMAN	1					
		TA.ROLLER BEARING						

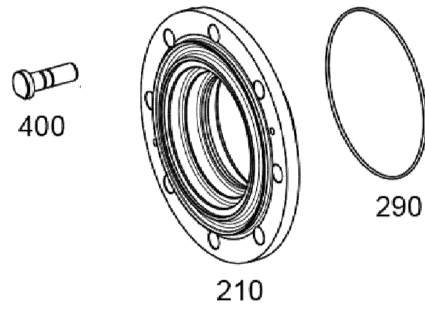
ÖN AKS, KOVAN PARÇALARI FRONT AXLE, AXLE CASING PARTS



**ÖN AKS, KOVAN PARÇALARI
FRONT AXLE, AXLE CASING PARTS**

No	Parça No	Parça Adı		Adet	S.K.	Bas.S.N	Bit.S.N	Y.K.	Not
No	Part no		Description	Qty	SC	S/N from	S/N to	ICA	Note
100	S0644225	RILMAN	TAPER ROLLER BEARING	1					
120	S0644226	O-RİNG	O-RING	1					
128	S0643065	CIVATA	HEXAGON SCREW	16					
140	S0644227	PUL	WASHER	16					
180	S0644060	PLAKA, ETİKET	TYPE PLATE	1					
240/0 10	S0644228	TAPA	SCREW PLUG	1					
250/0 20	S0644229	O-RİNG	O-RING	1					
250/0 10	S0644230	TAPA	SCREW PLUG	1					
250/0 20	S0644231	O-RİNG	O-RING	1					
340	S0644232	BUEÇ	BUSH	2					
350	S0643070	KEÇE	SHAFT SEAL	2					

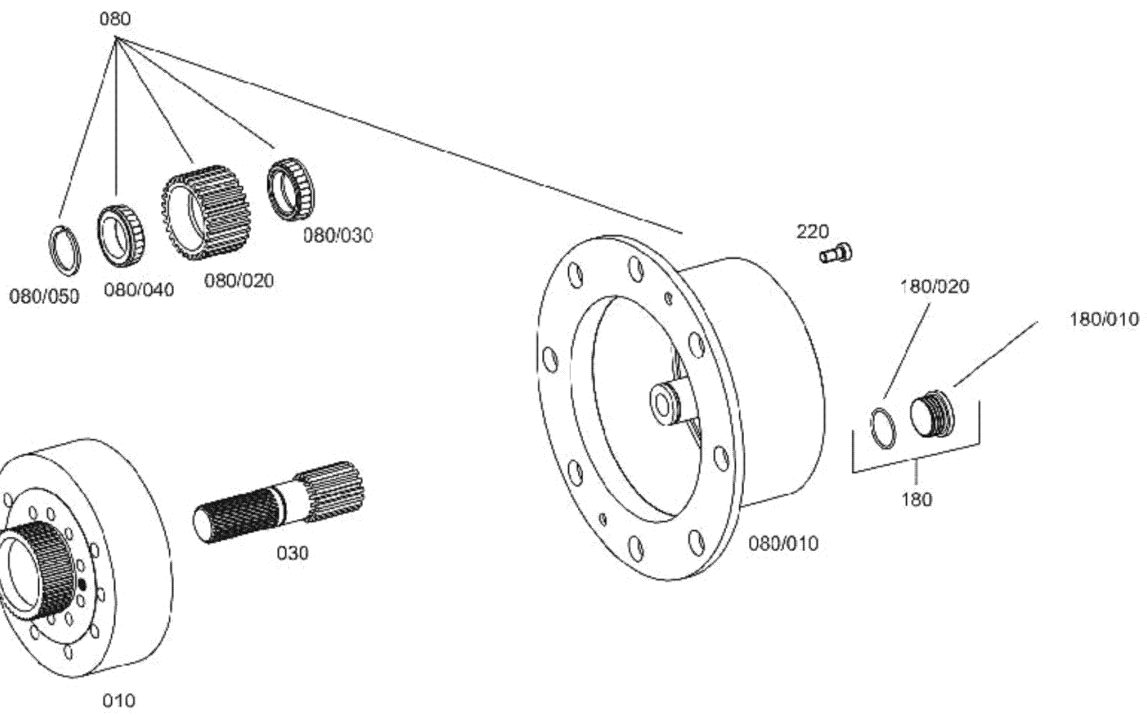
ÖN AKS, POYRA
FRONT AXLE, HUB



**ÖN AKS, POYRA
FRONT AXLE, HUB**

No	Parça No	Parça Adı	Adet	S.K.	Bas.S.N	Bit.S.N	Y.K.	Not
No	Part no	Description	Qty	SC	S/N from	S/N to	ICA	Note
210	S0642816	PORYA	2					
290	S0642817	O-RİNG	2					
400	S0644233	CIVATA	16					

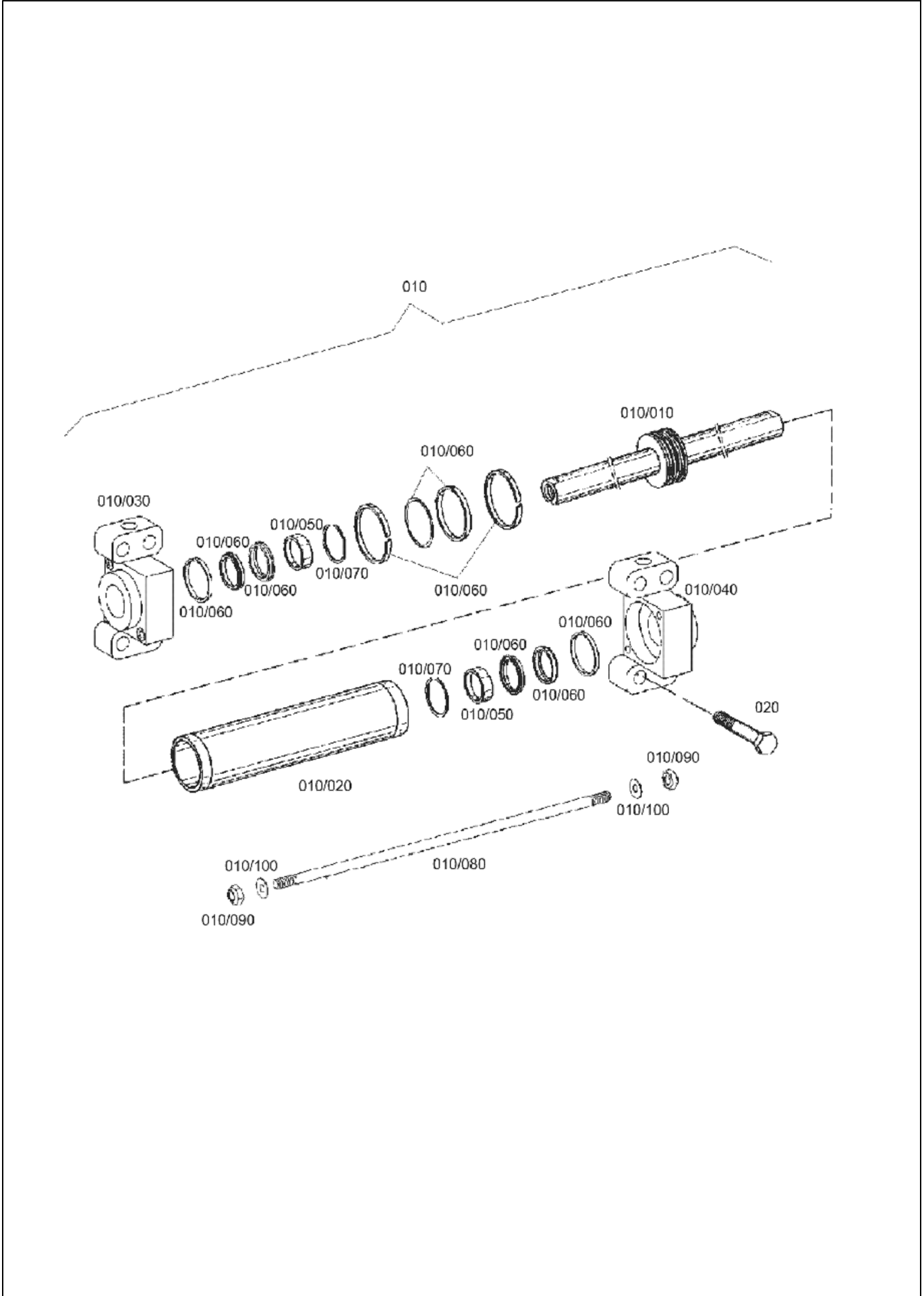
ÖN AKS, PLANET DİŞLİ GRUBU FRONT AXLE, PLANETARY DRIVE



**ÖN AKS, PLANET DİŞLİ GRUBU
FRONT AXLE, PLANETARY DRIVE**

No	Parça No	Parça Adı		Adet	S.K.	Bas.S.N	Bit.S.N	Y.K.	Not
No	Part no		Description	Qty	SC	S/N from	S/N to	ICA	Note
010	S0642819	YÖRÜNGE DİŞLİ	RING GEAR	2					
030	S0642820	GÜNEŞ DİŞLİ	SUN GEAR	2					
080	S0642821	PLANET DİŞLİ	PLANET CARRIER	2					
080/0 10	S0642822	PLANET DİŞLİ	PLANET CARRIER	1					
080/0 20	S0642823	PLANET DİŞLİ	PLANETARY GEAR	3					
080/0 30	S0643128	İÇ RULMAN	BEARING INNER RACE	3					
080/0 40	S0643129	İÇ RULMAN	BEARING INNER RACE	3					
080/0 50	S0643140	SEGMAN	SNAP RING	3					
180	S0642776	TAPA	SCREW PLUG	2					
180/0 20	S0644229	O-RİNG	O-RING	1					
220	S0642824	CIVATA	CAP SCREW	4					

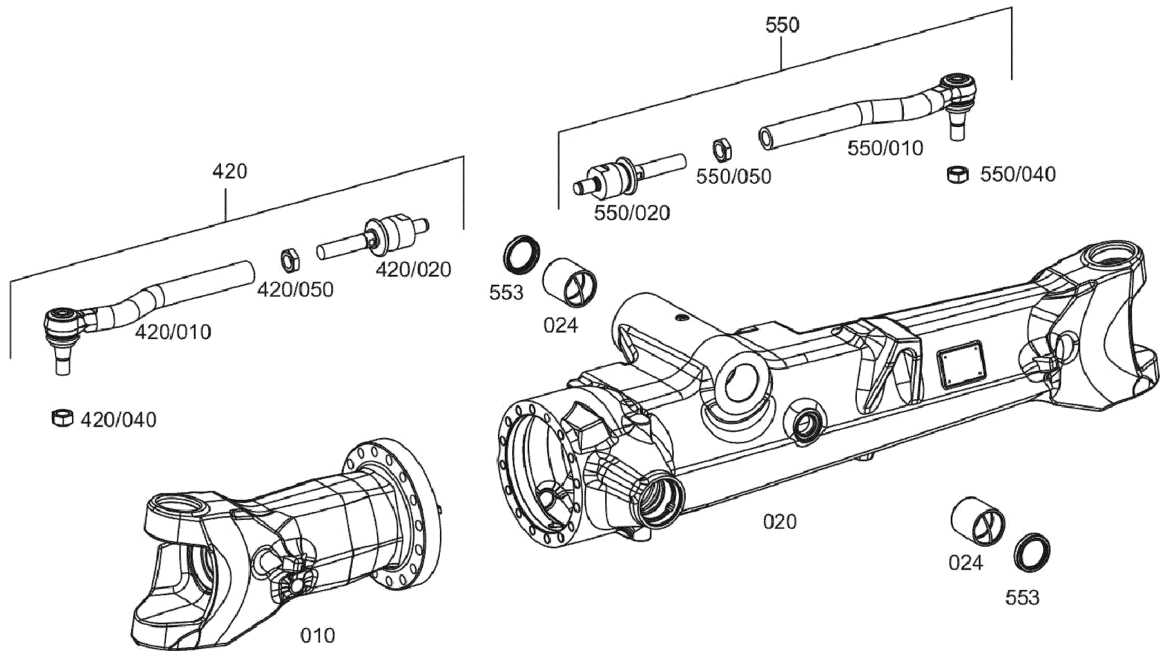
ÖN AKS, DİREKSİYON SİLİNDİRİ FRONT AXLE, STEERING CYLINDER



**ÖN AKS, DİREKSİYON SİLİNDİRİ
FRONT AXLE, STEERING CYLINDER**

No	Parça No	Parça Adı	Adet	S.K.	Bas.S.N	Bit.S.N	Y.K.	Not
No	Part no	Description	Qty	SC	S/N from	S/N to	ICA	Note
010	S0644236	DİREKSİYON SİLİNDİR KOMPLESİ	1					
010/0 10	S0644237	SİLİNDİR MİLİ	1					
010/0 20	S0644238	YATAKLAMA BANDI	1					
010/0 30	S0644239	YATAKLAMA BANDI	1					
010/0 40	S0644240	PUL	2					
010/0 50	S0644241	BİLEZİK	1					
010/0 60	S0644242	SOMUN	2					
010/0 70	S0642831	KEÇE TAKIMI	1					
020	S0644243	CIVATA	8					

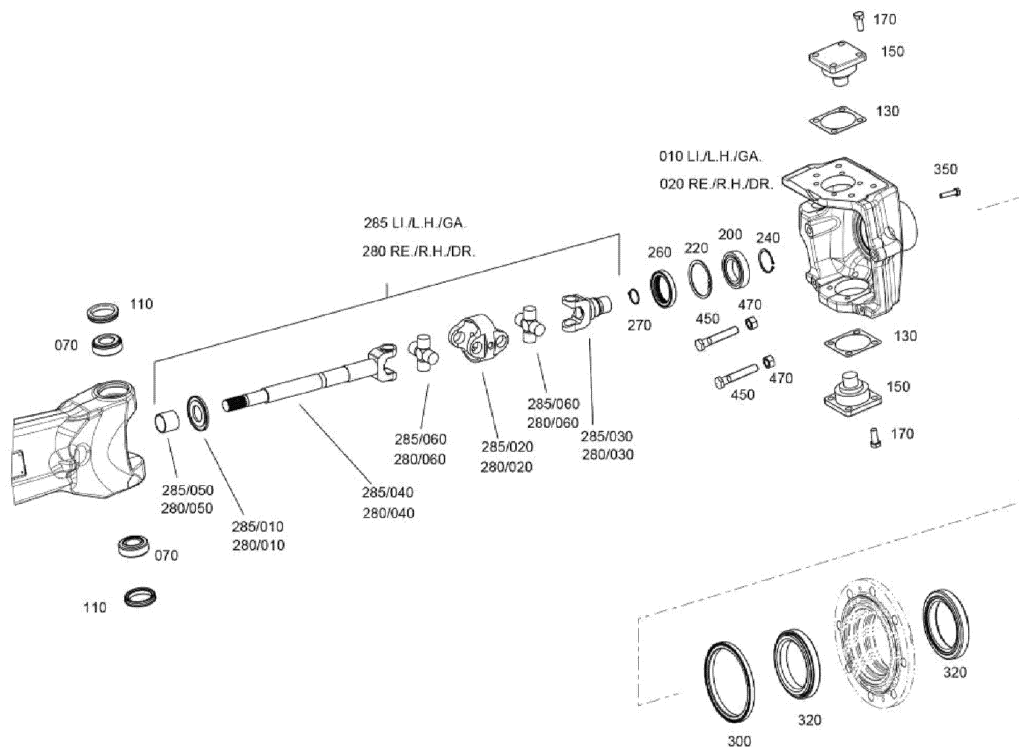
ÖN AKS, AKS KOVANLARI FRONT AXLE, AXLE CASING



**ÖN AKS, AKS KOVANLARI
FRONT AXLE, AXLE CASING**

No	Parça No	Parça Adı	Description	Adet	S.K.	Bas.S.N	Bit.S.N	Y.K.	Not
No	Part no			Qty	SC	S/N from	S/N to	ICA	Note
010	S0644244	AKS KOVANI	AXLE CASING	1					
020	S0644245	AKS KOVANI	AXLE CASING	1					
024	S0642781	BURÇ	CLAMPING BUSH	2					
420	S0644246	ROD KOLU	TIE ROD	1					
420/0 10	S0644247	KÜRESEL MAFSAL	BALL JOINT	1					
420/0 20	S0644248	EKSENEL MAFSAL	AXIAL JOINT	1					
420/0 40	S0644249	SOMUN	LOCKING NUT	1					
420/0 50	S0642791	SOMUN	HEXAGON NUT	1					
550	S0644250	ROD KOLU	TIE ROD	1					
550/0 10	S0644251	KÜRESEL MAFSAL	BALL JOINT	1					
550/0 20	S0644248	EKSENEL MAFSAL	AXIAL JOINT	1					
550/0 40	S0644249	SOMUN	LOCKING NUT	1					
550/0 50	S0642791	SOMUN	HEXAGON NUT	1					
553	S0642792	TOZ KEÇESİ	SCRAPER	2					

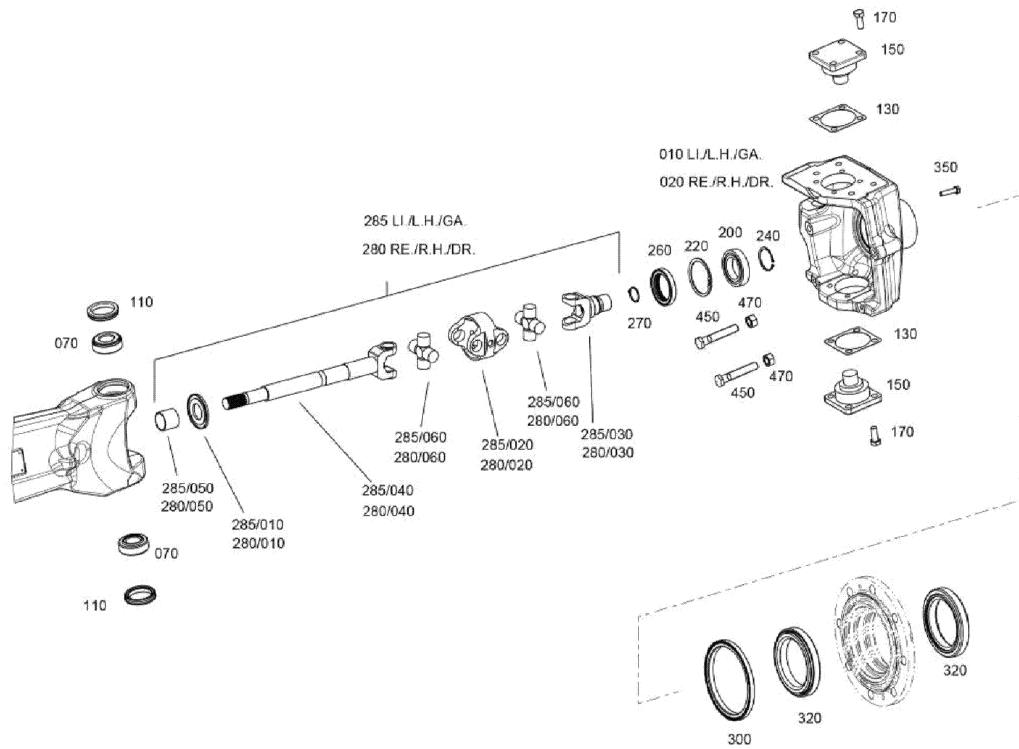
ÖN AKS, AKS BAŞI MONTAJI FRONT AXLE, JOINT HOUSING MOUNTING



ÖN AKS, AKS BAŞI MONTAJI
FRONT AXLE, JOINT HOUSING MOUNTING

No	Parça No	Parça Adı	Description	Adet	S.K.	Bas.S.N	Bit.S.N	Y.K.	Not
No	Part no			Qty	SC	S/N from	S/N to	ICA	Note
010	S0644254	AKS BAŞI, SOL	JOIN HOUSING	1					
020	S0644255	AKS BAŞI, SAĞ	JOIN HOUSING	1					
070	S0644211	RULMAN	TA.ROLLER BEARING	4					
110	S0643086	KEÇE	MULTI SEALING RING	4					
130	S0644257	ŞİM	SHIM	2					
130	S0644258	ŞİM	SHIM	GK					
130	S0644259	ŞİM	SHIM	GK					
130	S0644260	ŞİM	SHIM	GK					
130	S0644261	ŞİM	SHIM	GK					
130	S0644262	ŞİM	SHIM	GK					
130	S0644263	ŞİM	SHIM	GK					
130	S0644264	ŞİM	SHIM	GK					
130	S0644265	ŞİM	SHIM	GK					
130	S0644266	ŞİM	SHIM	GK					
130	S0644267	ŞİM	SHIM	GK					
130	S0644268	ŞİM	SHIM	GK					
130	S0644269	ŞİM	SHIM	GK					
150	S0644270	AKS BAŞI RULMAN KAPAĞI	BEARING PIN	4					
170	S0644271	CIVATA	HEXAGON SCREW	16					
200	S0644272	BİLYELİ RULMAN	BALL BEARING	2					
220	S0642812	SEGMAN	CIRCLIP	2					
240	S0642813	SEGMAN	CIRCLIP	2					
260	S0642814	KEÇE	CASSETTE RING	2					
270	S0644273	SEGMAN	CIRCLIP	2					
280	S0643504	AKS MİLİ KOMPLESİ, SAĞ	D.UNIVERS.SHAFT	1					
280/0 10	S0643511	ARA PULU	SCREEN SHEET	1					
280/0 20	S0644275	MAFSAL, ISTAVROZ	CENTRAL PIECE	1					
280/0 30	S0643508	AKS MİLİ, TEKER TARAFI, KISA	JOINT FORK	1					
280/0 40	S0643509	AKS MİLİ, DİFERANSİYEL TARAFI, SAĞ	JOINT FORK	1					
280/0 50	S0643510	BURÇ	BUSH	1					
280/0 60	S0644276	ISTAVROZ	JOINT CROSS	2					
285	S0644277	AKS MİLİ KOMPLESİ, SOL	D.UNIVERS.SHAFT	1					
285/0 10	S0643511	ARA PULU	SCREEN SHEET	1					
285/0 20	S0644275	MAFSAL, ISTAVROZ	CENTRAL PIECE	1					
285/0 30	S0643508	AKS MİLİ, TEKER TARAFI, KISA	JOINT FORK	1					
285/0 40	S0643518	AKS MİLİ, DİFERANSİYEL TARAFI, SOL	JOINT FORK	1					
285/0 50	S0643510	BURÇ	BUSH	1					
285/0 60	S0644276	ISTAVROZ	JOINT CROSS	2					
300	S0642996	ŞİM	SHIM	2	GK				
320	S0642017	RULMAN	TA. ROLLER BEARING	4					
350	S0644278	CIVATA	HEXAGON SCREW	16					

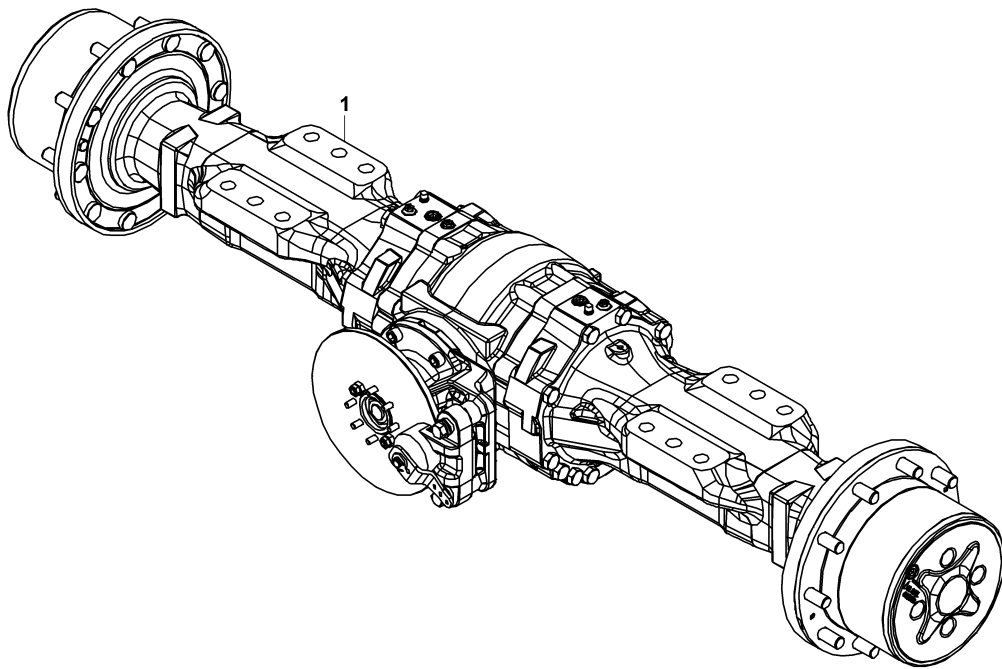
ÖN AKS, AKS BAŞI MONTAJI FRONT AXLE, JOINT HOUSING MOUNTING



ÖN AKS, AKS BAŞI MONTAJI
FRONT AXLE, JOINT HOUSING MOUNTING

No	Parça No	Parça Adı	Adet	S.K.	Bas.S.N	Bit.S.N	Y.K.	Not
No	Part no	Description	Qty	SC	S/N from	S/N to	ICA	Note
450	S0691002	CIVATA	4					
470	S0644279	SOMUN	4					

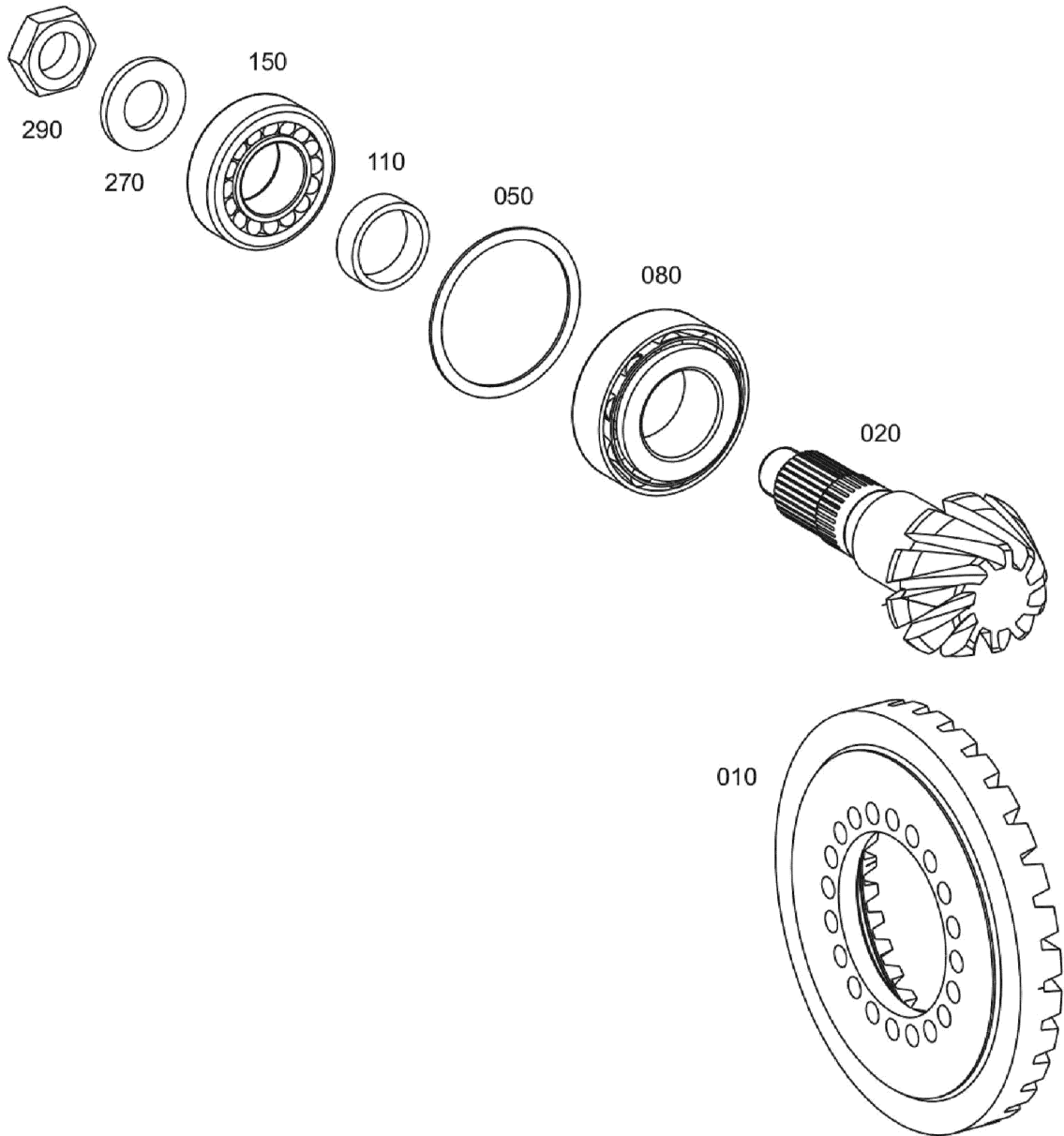
ARKA AKS
REAR AKS



ARKA AKS
REAR AKS

No	Parça No	Parça Adı	Description	Adet	S.K.	Bas.S.N	Bit.S.N	Y.K.	Not
No	Part no			Qty	SC	S/N from	S/N to	ICA	Note
1	F0616572	ARKA AKS	REAR AKS	1					

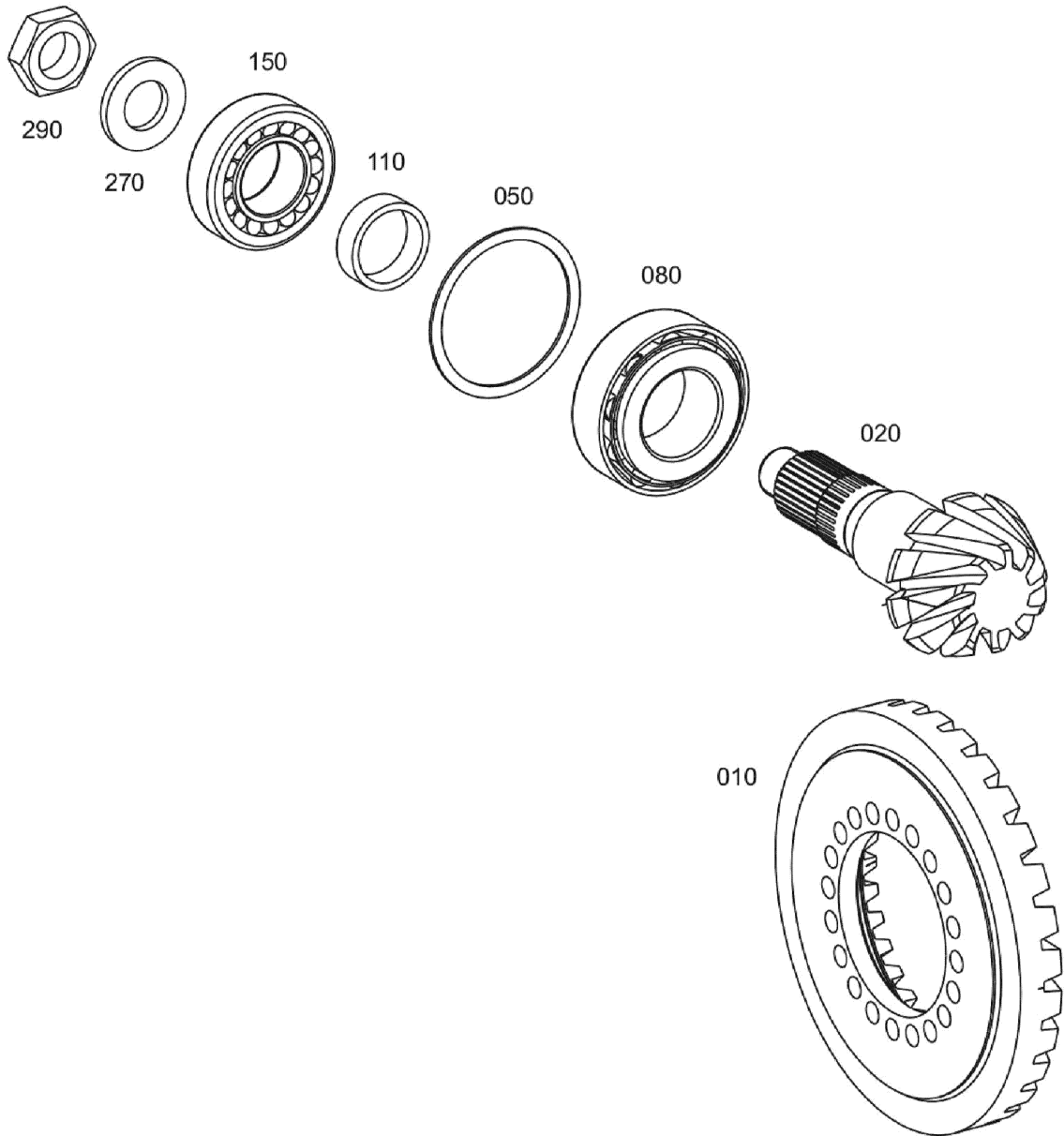
ARKA AKS, AYNA MAHRUTI REAR AXLE, BEVEL GEAR SET



**ARKA AKS, AYNA MAHRUTİ
REAR AXLE, BEVEL GEAR SET**

No	Parça No	Parça Adı	Adet	S.K.	Bas.S.N	Bit.S.N	Y.K.	Not
No	Part no	Description	Qty	SC	S/N from	S/N to	ICA	Note
010	S0642075	AYNA DIŞLI	1					
020	S0642076	DIŞLI	1					
050	S0642839	PUL	GK					S= 2, 0
050	S0642840	PUL	GK					S= 1, 8
050	S0642841	PUL	GK					S= 1, 5
050	S0642842	PUL	GK					S= 1, 2
050	S0642843	PUL	GK					S= 1, 9
050	S0642844	PUL	GK					S= 1, 7
050	S0642845	PUL	GK					S= 1, 6
050	S0642846	PUL	GK					S= 1, 4
050	S0642847	PUL	GK					S= 1, 3
050	S0642848	PUL	GK					S= 1, 0
050	S0642849	PUL	GK					S= 0, 9
050	S0642850	PUL	GK					S= 0, 8
050	S0642851	PUL	GK					S= 0, 7
050	S0642852	PUL	GK					S= 0, 6
050	S0642853	PUL	GK					S= 0, 5
050	S0642854	PUL	GK					S= 0, 3
050	S0642855	PUL	GK					S= 0, 2
050	S0642856	PUL	GK					S= 0, 1
050	S0642003	PUL	GK					S= 0, 75
050	S0642040	PUL	GK					S= 0, 65
050	S0642041	PUL	GK					S=1, 25
050	S0642042	PUL	GK					S=1, 35
050	S0642043	PUL	GK					S=1, 45
050	S0642044	PUL	GK					S=1, 55
050	S0642045	PUL	GK					S=1, 65
050	S0642047	PUL	GK					S=1, 75
050	S0642048	PUL	GK					S=1, 85
080	S0642857	RULMAN	1					
110	S0642858	BİLEZİK	GK					S= 16, 0
110	S0642859	BİLEZİK	GK					S= 16, 1
110	S0642860	BİLEZİK	GK					S= 16, 2
110	S0642861	BİLEZİK	GK					S= 16, 3
110	S0642862	BİLEZİK	GK					S= 16, 4
110	S0642863	BİLEZİK	GK					S= 16, 5
110	S0642864	BİLEZİK	GK					S= 16, 56
110	S0642865	BİLEZİK	GK					S= 16, 60
110	S0642866	BİLEZİK	GK					S=16, 62
110	S0642867	BİLEZİK	GK					S=16, 64
110	S0642868	BİLEZİK	GK					S=16, 66
110	S0642869	BİLEZİK	GK					S=16, 68
110	S0642870	BİLEZİK	GK					S=16, 70
110	S0642871	BİLEZİK	GK					S=16, 72
110	S0642872	BİLEZİK	GK					S=16, 74
110	S0642873	BİLEZİK	GK					S=16, 76
110	S0642874	BİLEZİK	GK					S=16, 78

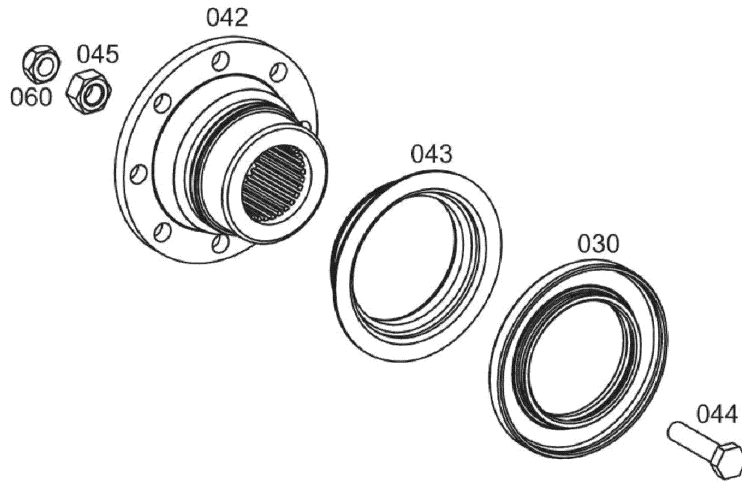
ARKA AKS, AYNA MAHRUTI
REAR AXLE, BEVEL GEAR SET



**ARKA AKS, AYNA MAHRUTİ
REAR AXLE, BEVEL GEAR SET**

No	Parça No	Parça Adı		Adet	S.K.	Bas.S.N	Bit.S.N	Y.K.	Not
No	Part no		Description	Qty	SC	S/N from	S/N to	ICA	Note
110	S0642875	BİLEZİK	RING	GK					S=16, 80
110	S0642876	BİLEZİK	RING	GK					S=16, 82
110	S0642877	BİLEZİK	RING	GK					S=16, 84
110	S0642878	BİLEZİK	RING	GK					S=16, 86
110	S0642879	BİLEZİK	RING	GK					S=16, 88
110	S0642880	BİLEZİK	RING	GK					S=16, 89
110	S0642881	BİLEZİK	RING	GK					S=16, 90
110	S0642882	BİLEZİK	RING	GK					S=16, 92
110	S0642883	BİLEZİK	RING	GK					S=16, 94
110	S0642884	BİLEZİK	RING	GK					S=16, 96
110	S0642885	BİLEZİK	RING	GK					S=16, 98
110	S0642886	BİLEZİK	RING	GK					S=17, 00
110	S0642887	BİLEZİK	RING	GK					S=17, 02
110	S0642888	BİLEZİK	RING	GK					S=17, 04
110	S0642889	BİLEZİK	RING	GK					S=17, 06
110	S0642890	BİLEZİK	RING	GK					S=17, 08
110	S0642891	BİLEZİK	RING	GK					S=17, 10
110	S0642892	BİLEZİK	RING	GK					S= 17, 12
110	S0642893	BİLEZİK	RING	GK					S= 17, 14
110	S0642894	BİLEZİK	RING	GK					S= 17, 16
110	S0642895	BİLEZİK	RING	GK					S= 17, 18
110	S0642896	BİLEZİK	RING	GK					S= 17, 20
110	S0642897	BİLEZİK	RING	GK					S= 17, 22
110	S0642898	BİLEZİK	RING	GK					S= 17, 24
110	S0642899	BİLEZİK	RING	GK					S= 17, 26
110	S0642900	BİLEZİK	RING	GK					S= 17, 28
110	S0642901	BİLEZİK	RING	GK					S= 17, 30
110	S0642627	BİLEZİK	RING	GK					S= 17, 40
150	S0642902	RULMAN	ROLLER BEARING	1					
270	S0642903	PUL	WASHER	1					
290	S0642904	SOMUN	HEXAGON NUT	1					

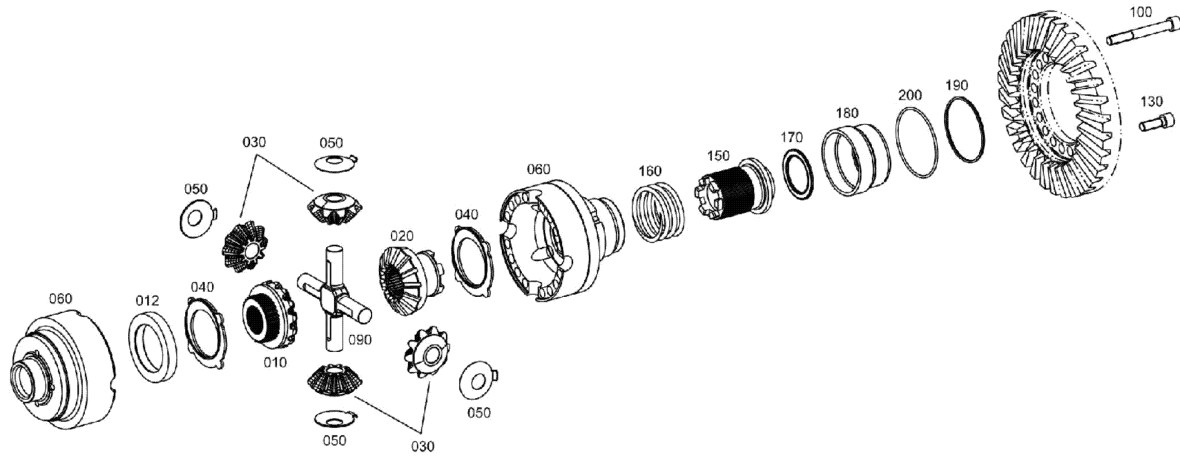
ARKA AKS, ŞAFT BAĞLANTISI
REAR AXLE, INPUT FLANGE



**ARKA AKS, ŐAFT BAĐLANTISI
REAR AXLE, INPUT FLANGE**

No	Parça No	Parça Adı	Adet	S.K.	Bas.S.N	Bit.S.N	Y.K.	Not
No	Part no	Description	Qty	SC	S/N from	S/N to	ICA	Note
030	S0642905	KEĐE, ŐAFT	1					
042	S0642906	FLANŐ, GİRİŐ	1					
043	S0642907	KEĐE KORUYUCU	1					
044	S0642908	CIVATA	8					
045	S0642909	SOMUN	2					
060	S0642910	SOMUN	2					

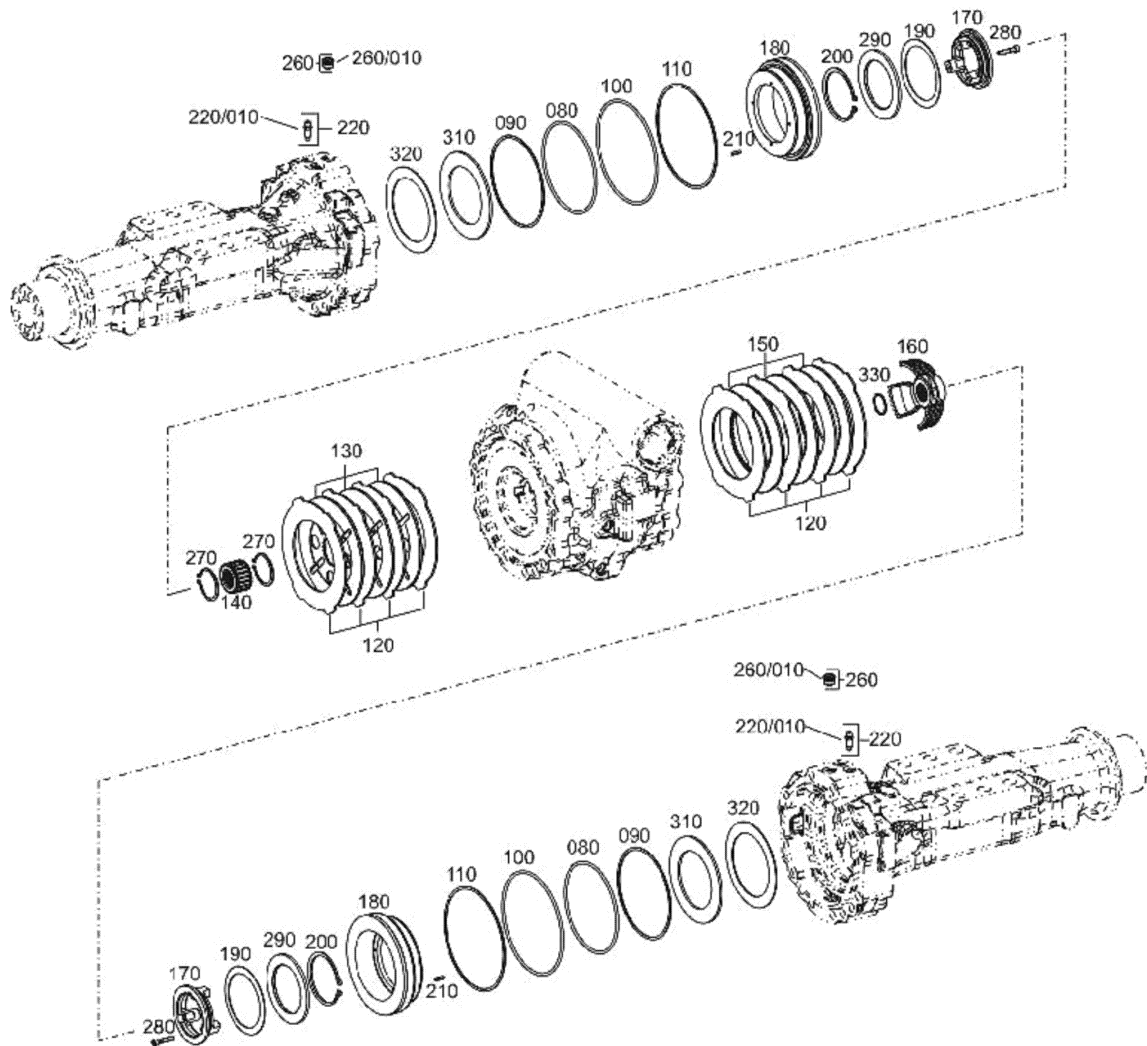
ARKA AKS, DİFERANSİYEL REAR AXLE, DIFFERENTIAL



**ARKA AKS, DİFERANSİYEL
REAR AXLE, DIFFERENTIAL**

No	Parça No	Parça Adı	Description	Adet	S.K.	Bas.S.N	Bit.S.N	Y.K.	Not
No	Part no			Qty	SC	S/N from	S/N to	ICA	Note
010	S0642911	DİŞLİ, AKS MILİ	AXLE BEVEL GEAR	1					
012	S0642912	BİLEZİK, DENGELEME	COMPENSATING RING	1					
020	S0642913	DİŞLİ, AKS MILİ	AXLE BEVEL GEAR	1					
030	S0642914	DİŞLİ, İSTAVROZ	DIFFERENTIAL BEVEL GEAR	4					
040	S0642915	BASKI PULU	THRUST WASHER	2					
050	S0642916	BASKI PULU	THRUST WASHER	4					
060	S0642917	İSTAVROZ KUTUSU	DIFFERENTIAL CASE	1					
090	S0642918	İSTAVROZ, DİFERANSİYEL	DIFFERENTIAL SPIDER	1					
100	S0642919	CIVATA	BOLT	16					
130	S0642920	CIVATA	BOLT	4					
150	S0642921	KİLİTLEME YATAĞI	LOCKING SLIDE	1					
160	S0642922	YAY	COMPRESSION SPRING	1					
170	S0642923	RULMAN	AXIAL NEEDLE BEARING	1					
180	S0642924	PİSTON	PISTON	1					
190	S0642925	O-RİNG	O-RING	1					
200	S0642926	O-RİNG	O-RING	1					

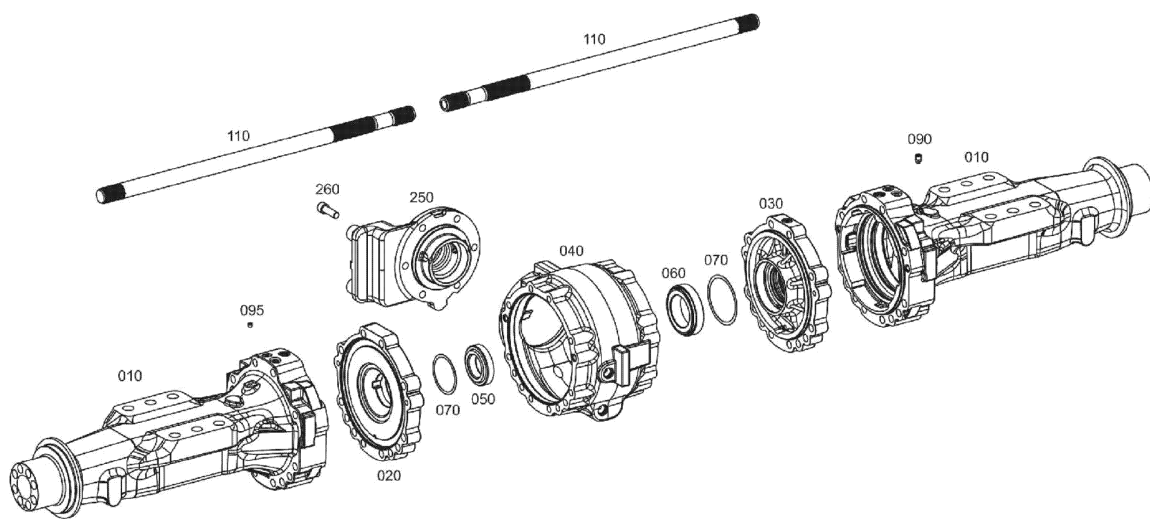
ARKA AKS, ÇOKLU DİSK FRENİ REAR AXLE, M- DISC BRAKE



**ARKA AKS, ÇOKLU DİSK FRENİ
REAR AXLE, M- DISC BRAKE**

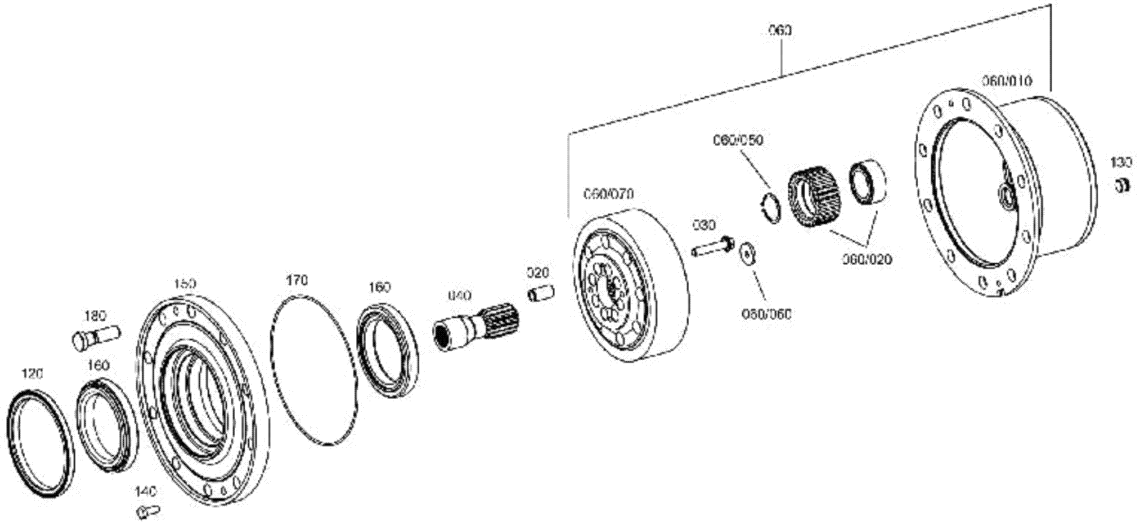
No	Parça No	Parça Adı	Description	Adet	S.K.	Bas.S.N	Bit.S.N	Y.K.	Not
No	Part no			Qty	SC	S/N from	S/N to	ICA	Note
080	S0644100	U-RING	U-RING	2					
090	S0642928	BACK-UP RİNG	BACK-UP RING	2					
100	S0644101	U-RING	U-RING	2					
110	S0642930	BACK-UP RİNG	BACK-UP RING	2					
120	S0642931	KAVRAMA DİSKİ	OUTER CLUTCH DISC	8					
130	S0642932	KAVRAMA BALATASI	INNER CLUTCH DISC	3					
140	S0642933	DİSK TAŞIYICI	DISC CARRIER	1					
150	S0642934	KAVRAMA BALATASI	INNER CLUTCH DISC	3					
160	S0642935	DİSK TAŞIYICI	DISC CARRIER	1					
170	S0642936	BİLEZİK	RING	2					
180	S0642937	PİSTON	PISTON	2					
190	S0642938	YAY	CUP SPRING	2					
200	S0642939	SEGMAN	CIRCLIP	2					
210	S0642940	PİM	SLOT PIN	8					
220	S0642941	HAVALANDIRMA VALFİ	VENT VALVE	2					
260	S0642942	TAPA	SCREW PLUG	2					
270	S0642943	SEGMAN	CIRCLIP	2					
280	S0642944	CIVATA	BOLT	6					
290	S0642945	PUL	WASHER	2					
310	S0642946	PUL	WASHER	2					
320	S0642947	YAY	CUP SPRING	2					
330	S0642948	KELEPÇE	CIRCLIP	1					

ARKA AKS, AKS KOVANLARI REAR AXLE, AXLE CASING PARTS



ARKA AKS, AKS KOVANLARI
REAR AXLE, AXLE CASING PARTS

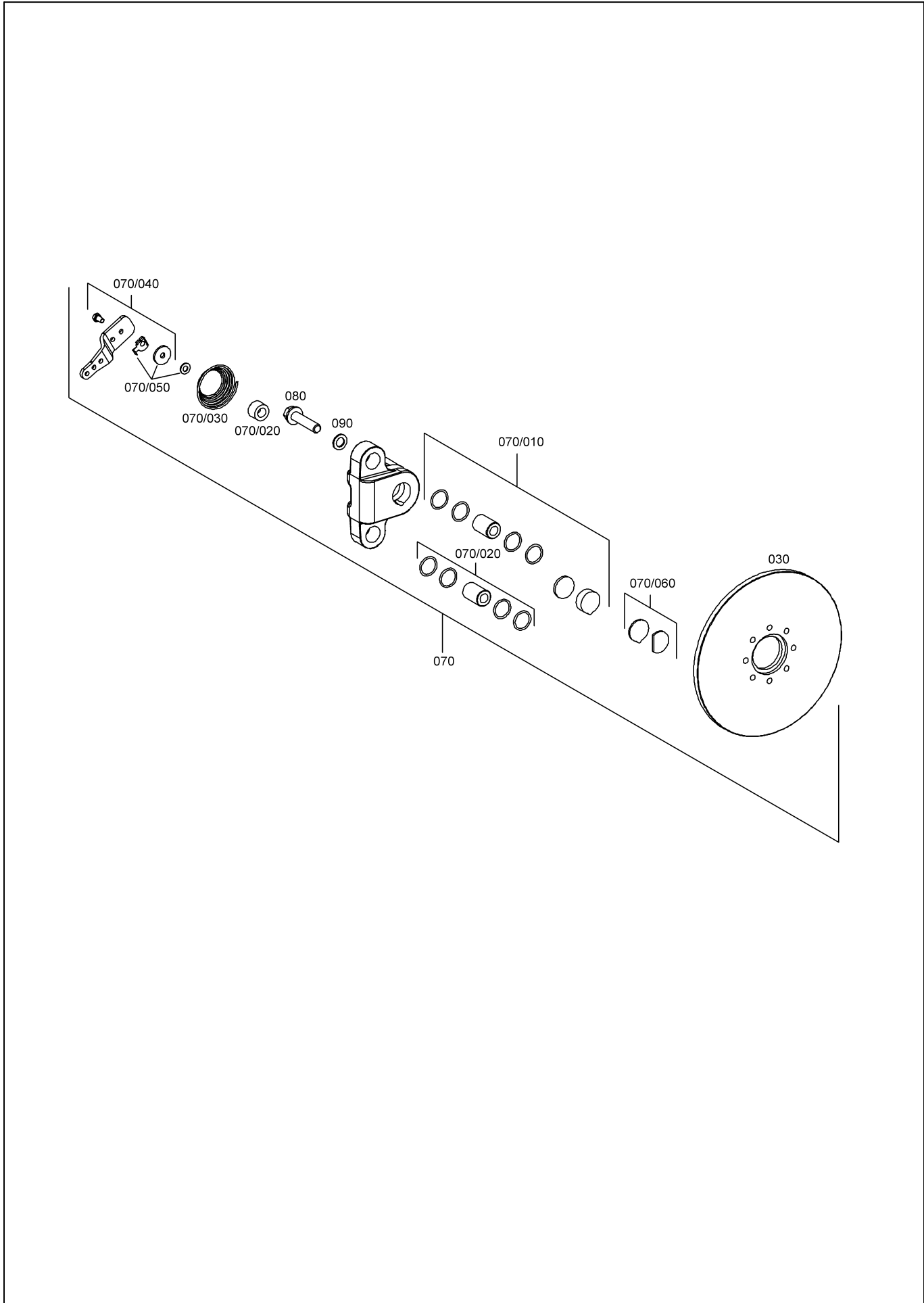
No	Parça No	Parça Adı	Description	Adet	S.K.	Bas.S.N	Bit.S.N	Y.K.	Not
No	Part no			Qty	SC	S/N from	S/N to	ICA	Note
010	S0642953	AKS KOVANI	AXLE BRACKET	2					
020	S0642954	AKS KOVANI	HOUSING	1					
030	S0642955	AKS KOVANI	HOUSING	1					
040	S0642956	GÖVDE, DİFERANSİYEL	AXLE DRIVE HOUSING	1					
050	S0642957	RULMAN	ROLLER BEARING	1					
060	S0642958	RULMAN	ROLLER BEARING	1					
070	S0642959	ŞİM	SHIM		GK				A= 1, 60
070	S0642961	ŞİM	SHIM		GK				A= 1, 50
070	S0642962	ŞİM	SHIM		GK				A= 1, 40
070	S0642963	ŞİM	SHIM		GK				A= 1, 30
070	S0642964	ŞİM	SHIM		GK				A= 1, 00
070	S0642965	ŞİM	SHIM		GK				A= 0, 90
070	S0642996	ŞİM	SHIM		GK				S= 0, 85
070	S0642967	ŞİM	SHIM		GK				S= 0, 8
070	S0642968	ŞİM	SHIM		GK				S= 0, 75
070	S0642969	ŞİM	SHIM		GK				S= 0, 7
080	S0642970	ŞİM	SHIM						A= 0, 30
080	S0642971	ŞİM	SHIM						A= 0, 50
080	S0642972	ŞİM	SHIM						A= 1, 00
080	S0642973	ŞİM	SHIM						A= 0, 20
080	S0642974	ŞİM	SHIM						A= 0, 10
080	S0642975	ŞİM	SHIM						A= 1, 10
080	S0642976	ŞİM	SHIM						A= 1, 20
080	S0642977	ŞİM	SHIM						A= 1, 30
080	S0642978	ŞİM	SHIM						A= 1, 40
080	S0642979	ŞİM	SHIM						A= 1, 50
080	S0642980	ŞİM	SHIM						A= 0, 75
090	S0642981	HAVALANDIRMA VALFİ	BREATHER	1					
095	S0642982	TAPA	SCREW PLUG	2					
110	S0642983	AKS MİLİ	STUB SHAFT	2					
250	S0642984	GÖVDE	HOUSING	1					
260	S0642985	CIVATA	CAP SCREW	6					

ARKA AKS, POYRA VE PLANET DİŞLİ GRUBU
REAR AXLE, HUB AND PLANETARY DRIVE

ARKA AKS, POYRA VE PLANET DİŞLİ GRUBU
REAR AXLE, HUB AND PLANETARY DRIVE

No	Parça No	Parça Adı	Description	Adet	S.K.	Bas.S.N	Bit.S.N	Y.K.	Not
No	Part no			Qty	SC	S/N from	S/N to	ICA	Note
020	S0642986	MERKEZLEME BURCU	CENTERING BUSH	16					
030	S0642987	CIVATA	BOLT	16					
040	S0642988	ŞAFT, GÜNEŞ DİŞLİ	SUN GEAR SHAFT	2					
060	S0642989	PLANET TAŞIYICI KOMPLESİ	PLANET CARRIER	2					
060/0 10	S0642990	PLANET TAŞIYICI	PLANET CARRIER	1					
060/0 20	S0642991	PLANET DİŞLİ	PLANETARY GEAR	4					
060/0 20	S0642992	PLANET DİŞLİ	PLANETARY GEAR	1					
060/0 50	S0642993	KELEPÇE	CIRCLIP	4					
060/0 60	S0642994	BASKI PULU	THRUST WASHER	1					
060/0 70	S0642995	YÖRÜNGE DİŞLİ	RING GEAR	1					
120	S0642966	KEÇE	SHAFT SEAL	2					
130	S0642942	TAPA	SCREW PLUG	2					
140	S0642998	CIVATA	BOLT	4					
150	S0643502	POYRA	HUB	2					
160	S0642017	RULMAN	TA. ROLLER BEARING	4					
170	S0642018	O-RİNG	O-RING	2					
180	S0642019	CIVATA	WHEEL BOLT	20					

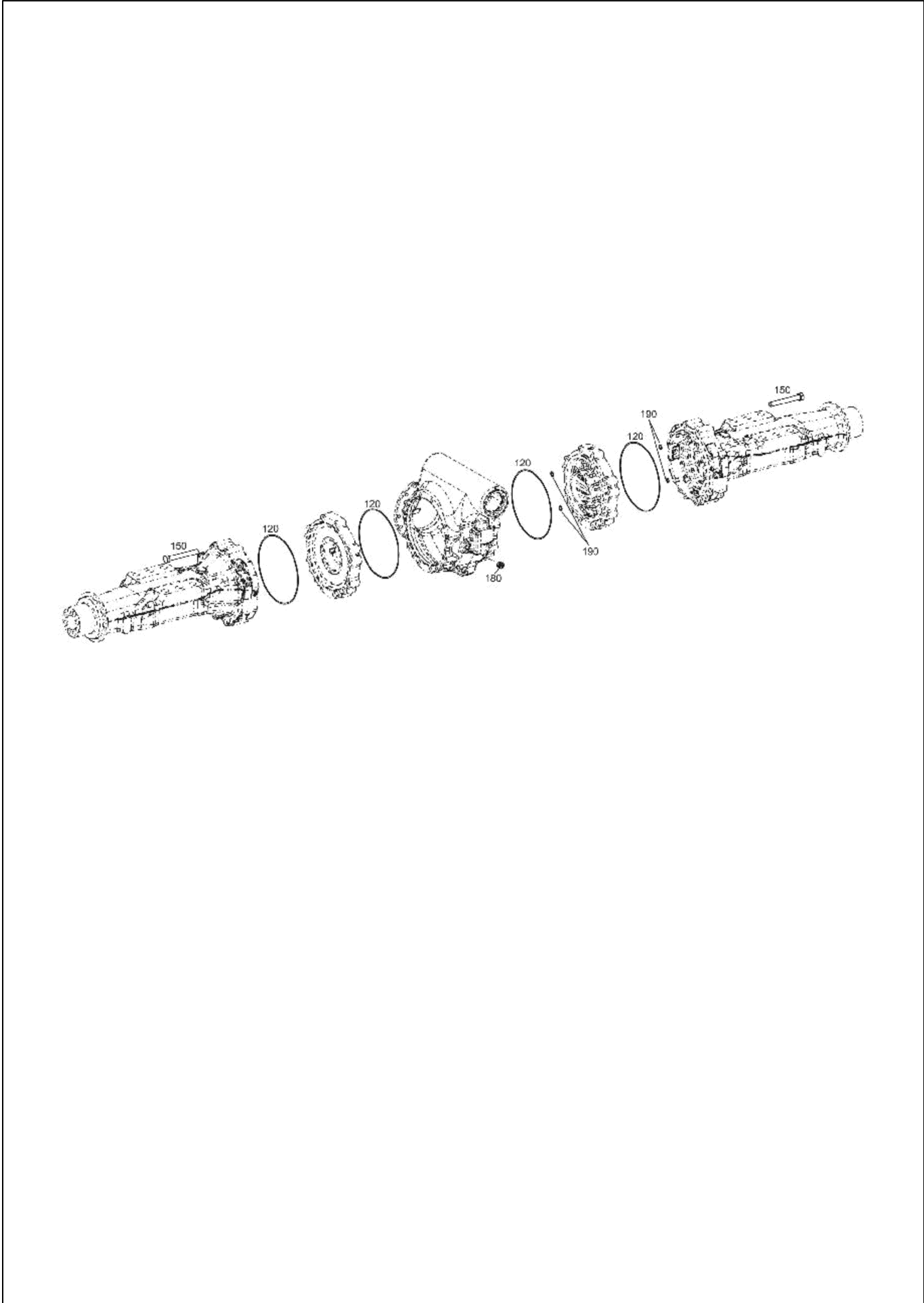
ARKA AKS, PARK FRENİ REAR AXLE, PARK BRAKE



**ARKA AKS, PARK FRENİ
REAR AXLE, PARK BRAKE**

No	Parça No	Parça Adı	Adet	S.K.	Bas.S.N	Bit.S.N	Y.K.	Not
No	Part no	Description	Qty	SC	S/N from	S/N to	ICA	Note
030	S0642025	FREN DISKİ, EL FRENİ	1					
070	S0642021	FREN DÜZENEĞİ	1					
070/0 10	S0642029	TAMİR TAKIMI, EL FRENİ	1					
070/0 20	S0642032	TAMİR TAKIMI, EL FRENİ	1					
070/0 30	S0642033	YAY	1					
070/0 40	S0642034	TAMİR TAKIMI, EL FRENİ	1					
070/0 50	S0642036	TAMİR TAKIMI, EL FRENİ	1					
070/0 60	S0642037	TAMİR TAKIMI, EL FRENİ	1					
080	S0642022	CIVATA	2					
090	S0642039	PUL	2					

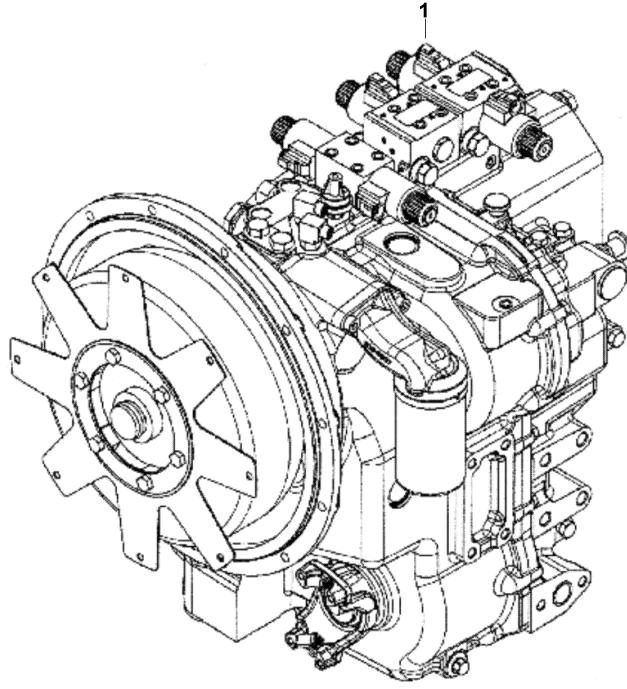
ARKA AKS, AKS KOVAN PARÇALARI
REAR AXLE, AXLE CASING PARTS



**ARKA AKS, AKS KOVAN PARÇALARI
REAR AXLE, AXLE CASING PARTS**

No	Parça No	Parça Adı	Adet	S.K.	Bas.S.N	Bit.S.N	Y.K.	Not
No	Part no	Description	Qty	SC	S/N from	S/N to	ICA	Note
120	S0642018	O-RİNG	4					
150	S0642950	CIVATA	24					
180	S0642942	TAPA	2					
190	S0642952	O-RİNG	8					

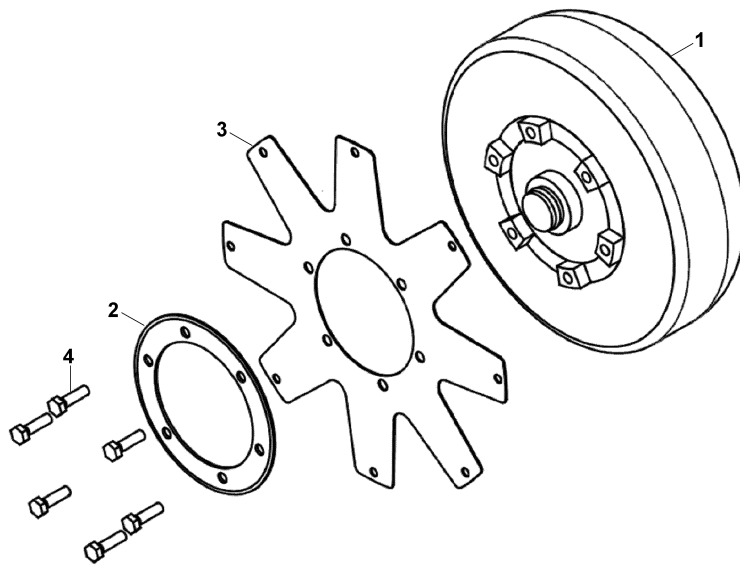
**ŞANZIMAN
TRANSMISSION**



**ŞANZIMAN
TRANSMISSION**

No	Parça No	Parça Adı	Adet	S.K.	Bas.S.N	Bit.S.N	Y.K.	Not
No	Part no	Description	Qty	SC	S/N from	S/N to	ICA	Note
1	F0315817	ŞANZIMAN	1					
		TRANSMISSION						

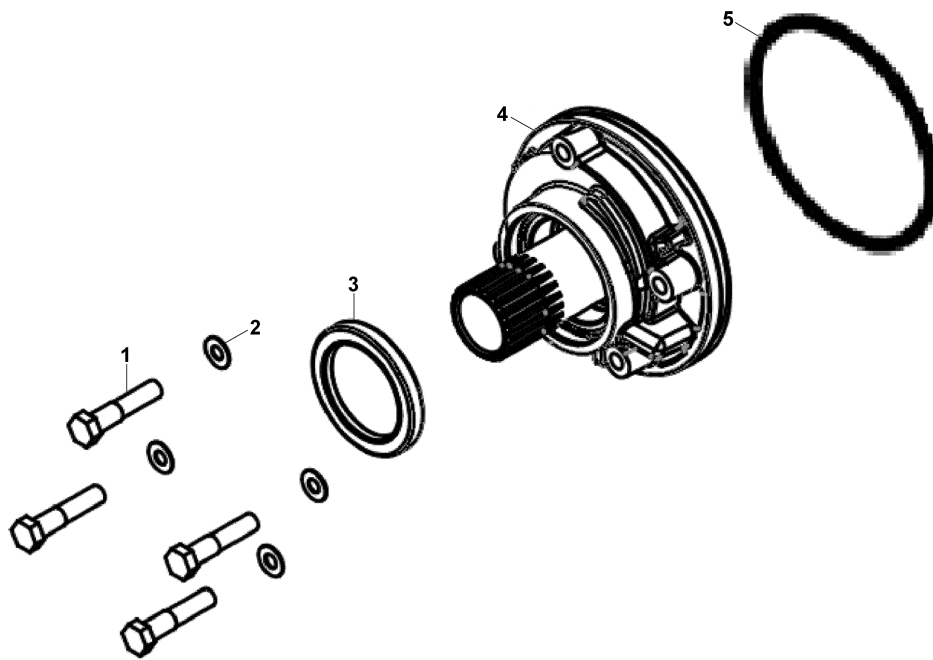
ŞANZIMAN, TORK KONVERTÖR (STANDART)
TRANSMISSION, TORQUE CONVERTER ARRANGMENT (STANDARD)



ŞANZIMAN, TORK KONVERTÖR (STANDART)
TRANSMISSION, TORQUE CONVERTER ARRANGMENT (STANDARD)

No	Parça No	Parça Adı	Adet	S.K.	Bas.S.N	Bit.S.N	Y.K.	Not
No	Part no	Description	Qty	SC	S/N from	S/N to	ICA	Note
0	F0340220	KONVERTÖR KOMPLE	1					
1	F0340221	KONVERTÖR KOMPLE	1					
2	F0340222	SAC, KONVERTÖR	1					
3	F0340223	SAC, KONVERTÖR	1					
4	F0340003	CIVATA	6					

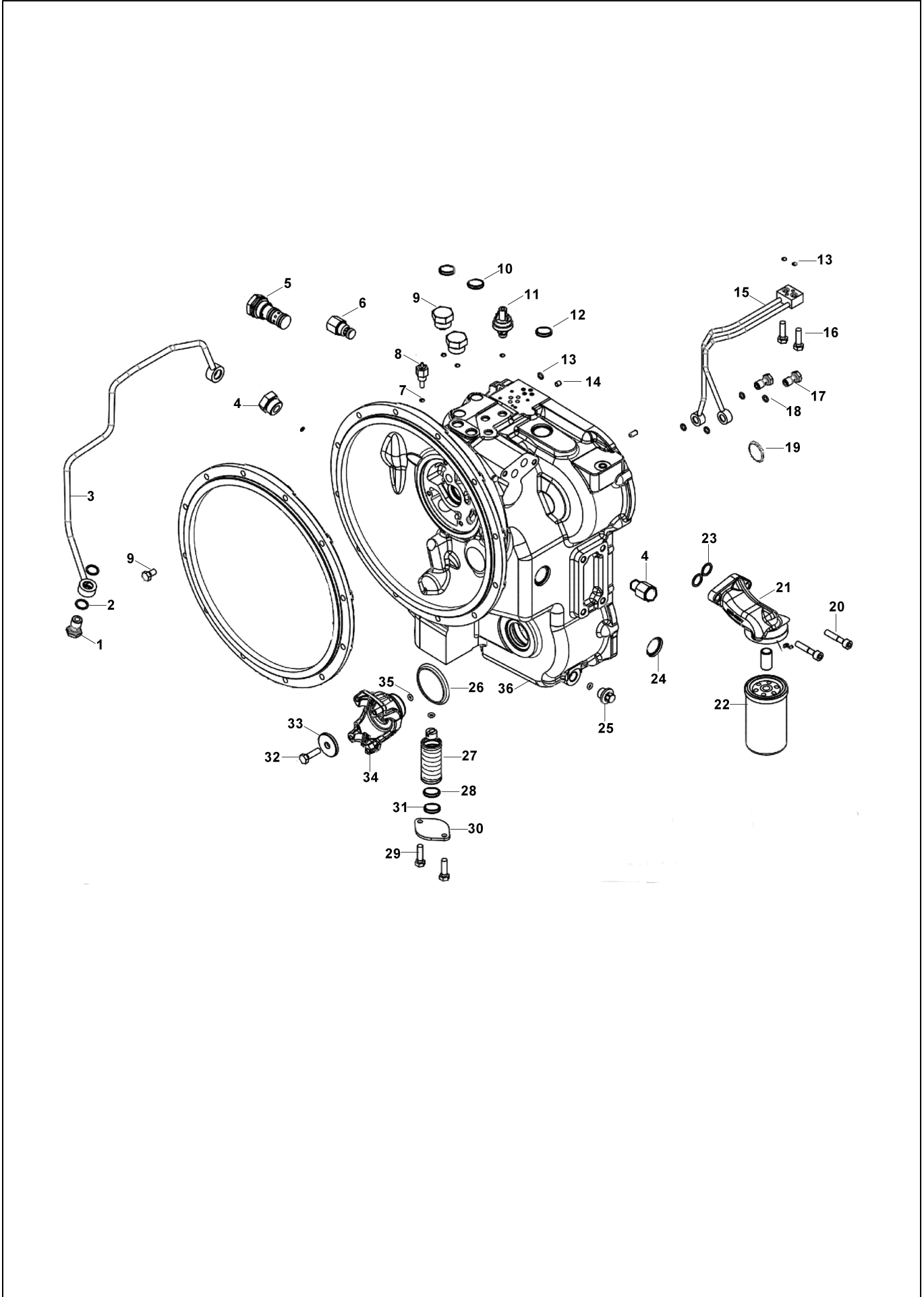
ŞANZIMAN, POMPA GRUBU
TRANSMISSION, PUMP GROUP



**ŞANZIMAN, POMPA GRUBU
TRANSMISSION, PUMP GROUP**

No	Parça No	Parça Adı	Adet	S.K.	Bas.S.N	Bit.S.N	Y.K.	Not
No	Part no	Description	Qty	SC	S/N from	S/N to	ICA	Note
0	F0340224	POMPA, ŞANZIMAN	1					
1	F0340004	CIVATA	4					
2	F0340005	PUL	4					
3	F0340006	KEÇE	1					
4	F0340007	POMPA	1					
4	F0340008	POMPA	1					
4	F0340009	KAVRAMA, GİRİŞ	1					
5	F0340010	KEÇE	1					

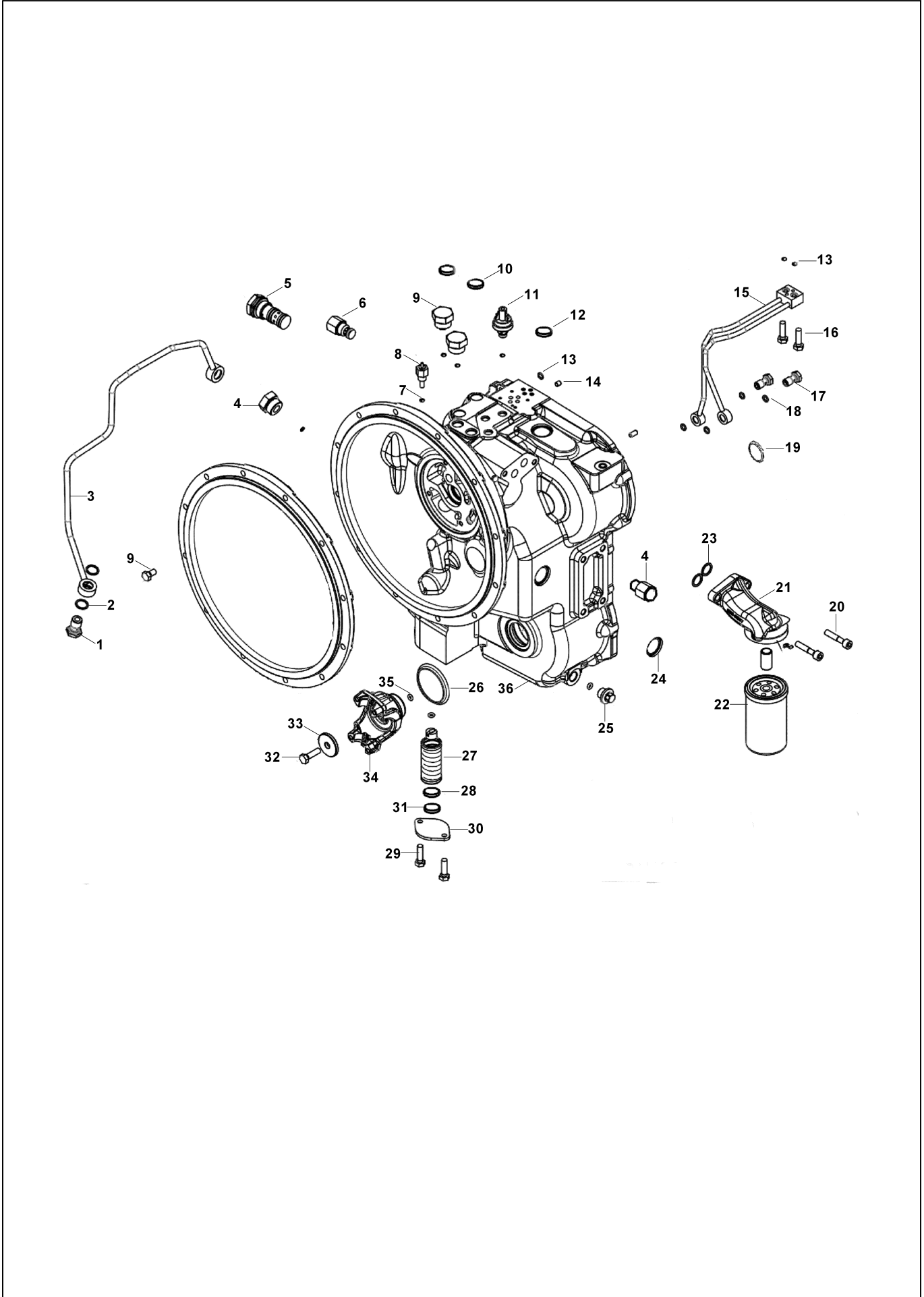
ŞANZIMAN, TRANSMİSYON GÖVDESİ, ÖN (STANDART)
TRANSMISSION, FRONT CASING AND ANCILLIARIES (STANDARD)



ŞANZIMAN, TRANSMİSYON GÖVDESİ, ÖN (STANDART)
TRANSMISSION, FRONT CASING AND ANCIILLIARIES (STANDARD)

No	Parça No	Parça Adı	Adet	S.K.	Bas.S.N	Bit.S.N	Y.K.	Not
No	Part no	Description	Qty	SC	S/N from	S/N to	ICA	Note
1	F0340011	CIVATA	BOLT	2				
2	F0340012	PUL	WASHER	4				
3	F0340013	BORU KOMPL.	TUBE ASS' Y	1				
4	F0340014	TAPA KOMPLE	PLUG ASS' Y	1				
4	F0340015	KEÇE	SEAL - O- RING	1				
4	F0340016	TAPA	PLUG	1				
5	F0340017	VALF	VALVE GP - RLF - B	1				
5	F0340018	KEÇE	SEAL - O- RING	1				
5	F0340019	KEÇE	SEAL - O- RING	1				
5	F0340020	VALF	VALVE GP - RLF - B	1				
5	F0340018	KEÇE	SEAL - O- RING	1				
5	F0340019	KEÇE	SEAL - O- RING	1				
6	F0340023	VALF	VALVE GP- RLF	1				
6	F0340024	KEÇE	SEAL - O- RING	1				
6	F0340025	KEÇE	SEAL - O- RING	1				
6	F0340026	KEÇE	SEAL - O- RING	1				
7	F0340015	KEÇE	SEAL - O- RING	1				
8	S0643493	SENSÖR KOMPL.	SENDER ASS'Y	1				
9	F0340031	TAPA KOMPL.	PLUG ASS' Y- LD	3				
9	F0340032	TAPA	PLUG - LD	1				
9	F0340033	KEÇE- O-RING	SEAL - O- RING	1				
10	F0340034	TAPA	PLUG	2				
11	F0340035	SVİÇ	SWITCH- ASS' Y	1				
11	F0340015	KEÇE	SEAL - O- RING	1				
11	F0340036	SVİÇ, SICAKLIK	SWITCH- PRESSURE	1				
12	F0340037	TAPA	PLUG	2				
13	F0340038	KEÇE	SEAL - O- RING	3				
14	F0340039	MERKEZLEME PİMİ	DOWEL	2				
15	F0340040	BORU, KOMPL.	TUBE ASS' Y	1				
16	F0340041	CIVATA	BOLT	2				
17	F0340042	BANJO CIVATA	BOLT - BANJO	2				
18	F0340043	PUL	WASHER	4				
19	F0340044	TAPA	PLUG	1				
20	F0340045	CIVATA	BOLT	2				
21	F0340046	DİRSEK	ELBOW ASS' Y	1				
21	F0340047	ADAPTÖR	ADAPTOR	1				
21	F0340048	ADAPTÖR	ADAPTOR	1				
22	F0315803	FİLTRE, YAĞ	FILTER - OIL	1				
23	F0340050	KEÇE- O-RING	SEAL - O- RING	2				
24	F0340037	TAPA	PLUG	2				
25	F0340052	TAPA KOMPL.	PLUG ASS' Y- DRAIN	1				
25	F0340053	TAPA KOMPL.	PLUG ASS' Y	1				
25	F0340054	KEÇE	SEAL - O- RING	1				
26	F0340055	KEÇE	SEAL	1				
27	F0340056	SÜZGEÇ, EMİŞ	STRAINER - SUCTION	1				
28	F0340057	HALKA	RING	1				
29	F0340058	CIVATA	BOLT	2				

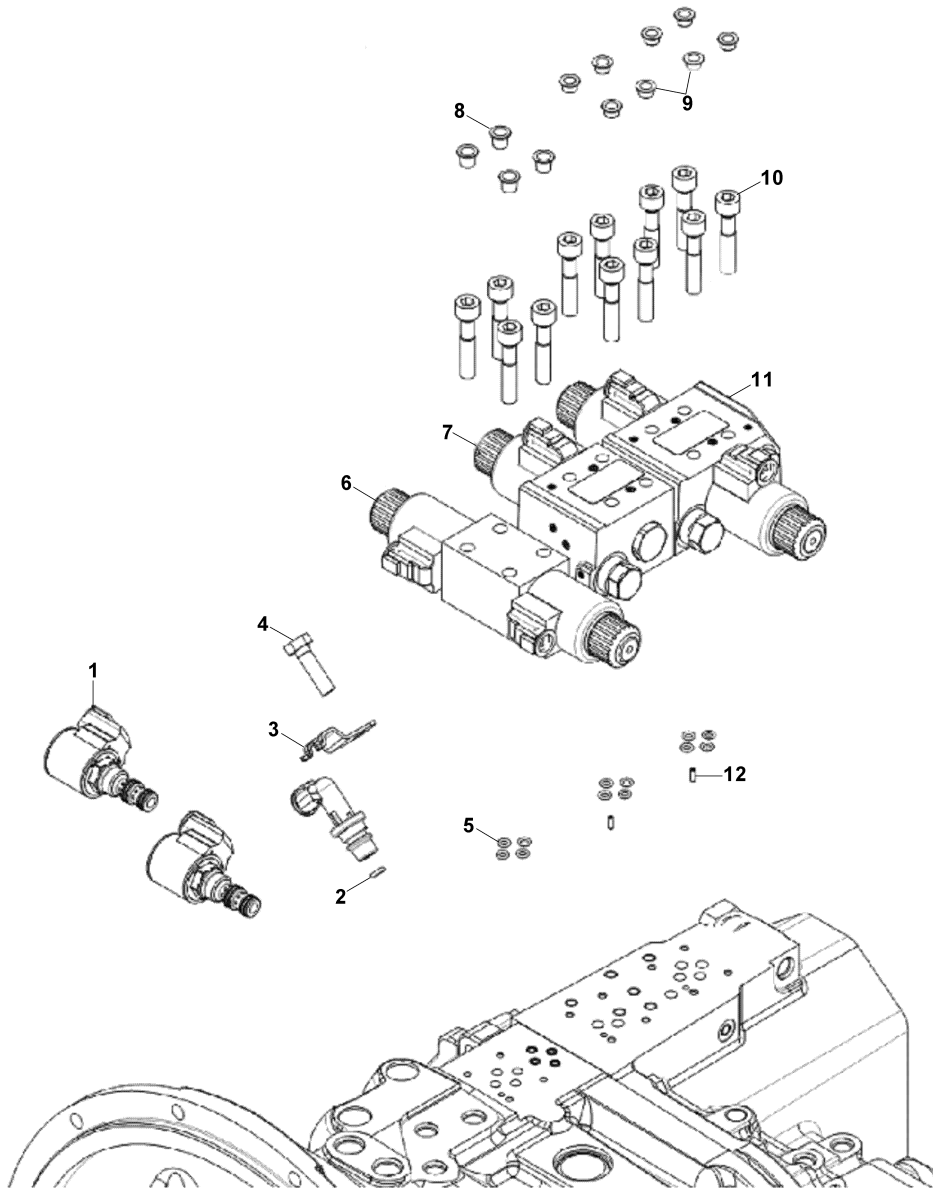
ŞANZIMAN, TRANSMİSYON GÖVDESİ, ÖN (STANDART)
TRANSMISSION, FRONT CASING AND ANCILLIARIES (STANDARD)



ŞANZIMAN, TRANSMİSYON GÖVDESİ, ÖN (STANDART)
TRANSMISSION, FRONT CASING AND ANCILLIARIES (STANDARD)

No	Parça No	Parça Adı	Adet	S.K.	Bas.S.N	Bit.S.N	Y.K.	Not
No	Part no	Description	Qty	SC	S/N from	S/N to	ICA	Note
30	F0340059	KAPAK	1					
31	F0340060	KEÇE	1					
32	F0340061	CIVATA	1					
33	F0340062	PUL	1					
34	F0340063	MAFSAL	1					
34	F0340064	MUHAFAZA	1					
35	F0340065	KEÇE	1					
36	F0340225	GÖVDE KOMPLESİ, ÖN	1					

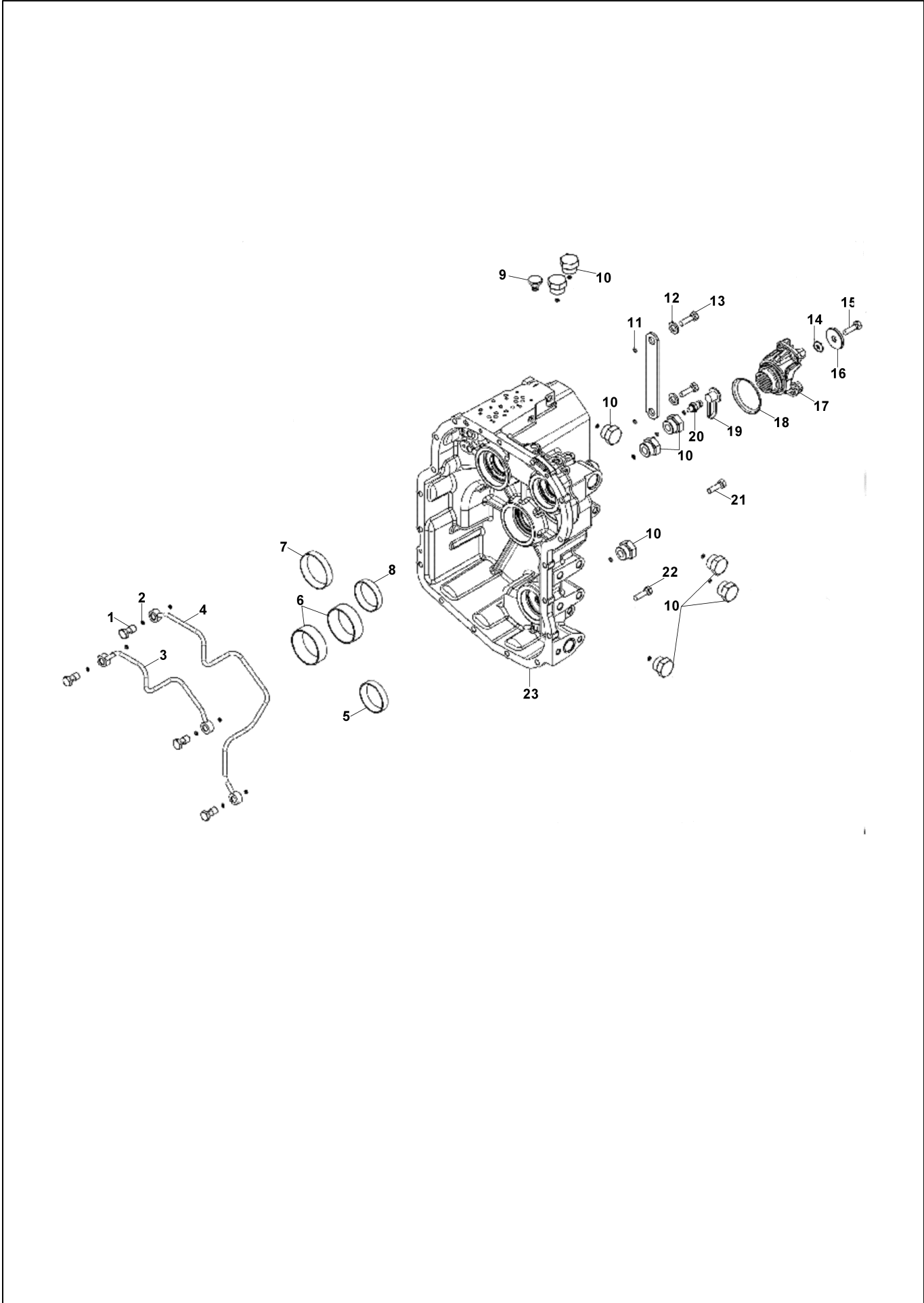
ŞANZIMAN, VALF GRUBU TRANSMISSION, VALVE GROUP



ŞANZIMAN, VALF GRUBU
TRANSMISSION, VALVE GROUP

No	Parça No	Parça Adı	Description	Adet	S.K.	Bas.S.N	Bit.S.N	Y.K.	Not
No	Part no			Qty	SC	S/N from	S/N to	ICA	Note
0	F0340067	VALF	VALVE GP	2					
1	F0340068	BOBİN	COIL	1					
2	F0340069	KEÇE	SEAL	1					
3	F0340070	SENSÖR	SENSOR GP - SPEED A	1					
4	F0340058	CIVATA	BOLT	1					
5	F0340071	KEÇE	SEAL	12					
6	F0340072	VALF	VALVE GP	1					
6	F0340073	BOBİN	COIL ASS' Y	2					
6	F0340074	BORU	TUBE ASS' Y	2					
6	F0340075	KEÇE	SEAL - O- RING	2					
6	F0340076	SOMUN	NUT- LOCKING	2					
6	F0340077	TAPA	PLUG - ORIFICIE	2					
7	F0340078	VALF	VALVE GP	1					
7	F0340073	BOBİN	COIL ASS' Y	1					
7	F0340080	BORU	TUBE ASS' Y	1					
7	F0340075	KEÇE	SEAL - O- RING	1					
7	F0340076	SOMUN	NUT- LOCKING	1					
7	F0340077	TAPA	PLUG - ORIFICIE	2					
8	F0340082	TAPA	PLUG - PROTECTIVE	5					
9	F0340083	TAPA	PLUG - PROTECTIVE	8					
10	F0340084	CIVATA	BOLT	12					
11	F0340085	VALF	VALVE GP	1					
11	F0340073	BOBİN	COIL ASS' Y	2					
11	F0340080	BORU	TUBE ASS' Y	2					
11	F0340075	KEÇE	SEAL - O- RING	2					
11	F0340076	SOMUN	NUT- LOCKING	2					
12	F0340088	PİM	PIN - SPRING TENSION	2					

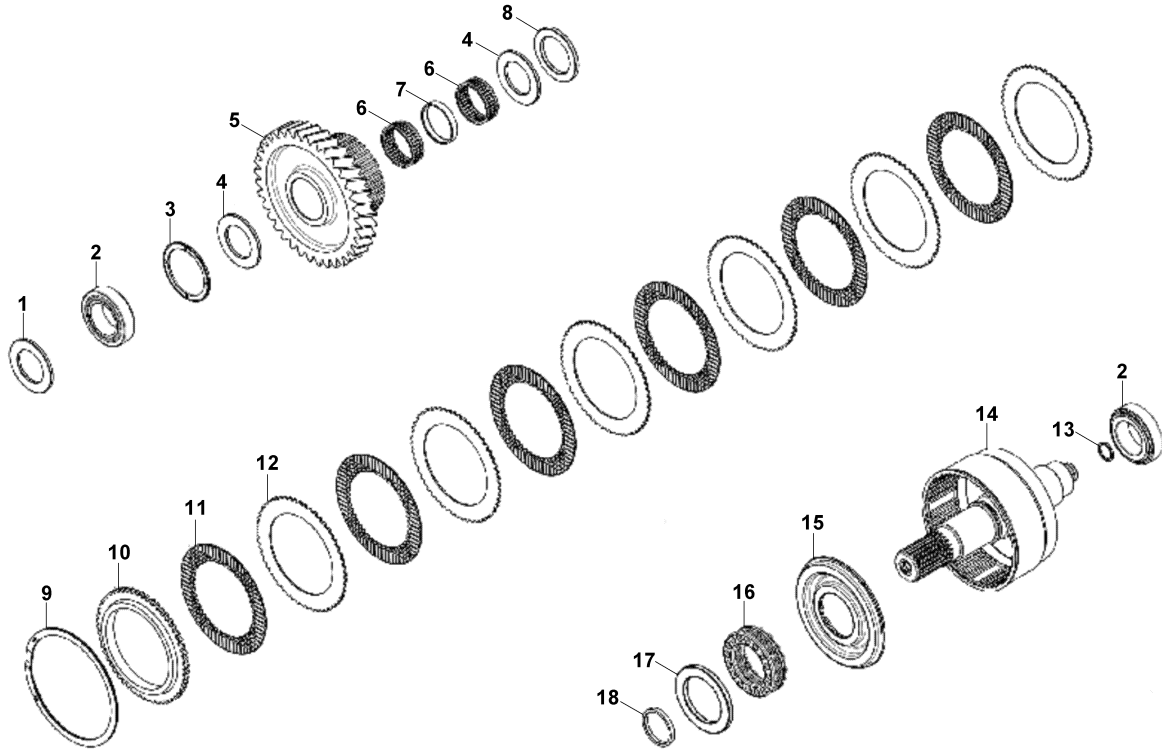
**ŞANZIMAN, TRANSMİSYON GÖVDESİ, ARKA (STANDART)
TRANSMISSION, REAR CASING AND ANCIILLIARIES (STANDARD)**



**ŞANZIMAN, TRANSMİSYON GÖVDESİ, ARKA (STANDART)
TRANSMISSION, REAR CASING AND ANCILLIARIES (STANDARD)**

No	Parça No	Parça Adı	Adet	S.K.	Bas.S.N	Bit.S.N	Y.K.	Not
No	Part no	Description	Qty	SC	S/N from	S/N to	ICA	Note
1	F0340042	BANJO CIVATA	4					
2	F0340043	PUL	8					
3	F0340089	BORU	1					
4	F0340090	BORU	1					
5	F0340091	ARA PARÇA	1					
5	F0340092	ŞİM	2					
5	F0340093	ŞİM	2					
5	F0340094	ŞİM	2					
5	F0340095	ŞİM	2					
6	F0340096	ARA PARÇA	2					
6	F0340097	ŞİM	4					
6	F0340098	ŞİM	4					
6	F0340099	ŞİM	4					
6	F0340100	ŞİM	4					
7	F0340101	ARA PARÇA	1					
7	F0340102	ŞİM	2					
7	F0340103	ŞİM	2					
7	F0340104	ŞİM	2					
7	F0340105	ŞİM	2					
8	F0340091	ARA PARÇA	1					
8	F0340092	ŞİM	2					
8	F0340093	ŞİM	2					
8	F0340094	ŞİM	2					
8	F0340095	ŞİM	2					
9	F0340106	HAVALANDIRMA	1					
10	F0340014	TAPA KOMPLE	9					
10	F0340016	TAPA	1					
10	F0340015	KEÇE	1					
11	F0340109	KEÇE	2					
12	F0340110	PUL	2					
13	F0340111	CIVATA	2					
14	F0340065	KEÇE	1					
15	F0340061	CIVATA	1					
16	F0340062	PUL	1					
17	F0340063	MAFSAL	1					
17	F0340064	MUHAFAZA	1					
18	F0340055	KEÇE	1					
19	F0340112	KAPAK, TOZ	1					
20	F0340113	NİPEL	1					
21	F0340114	CIVATA	1					
22	F0340115	CIVATA	16					
23	F0340226	GÖVDE KOMPLESİ, ARKA	1					

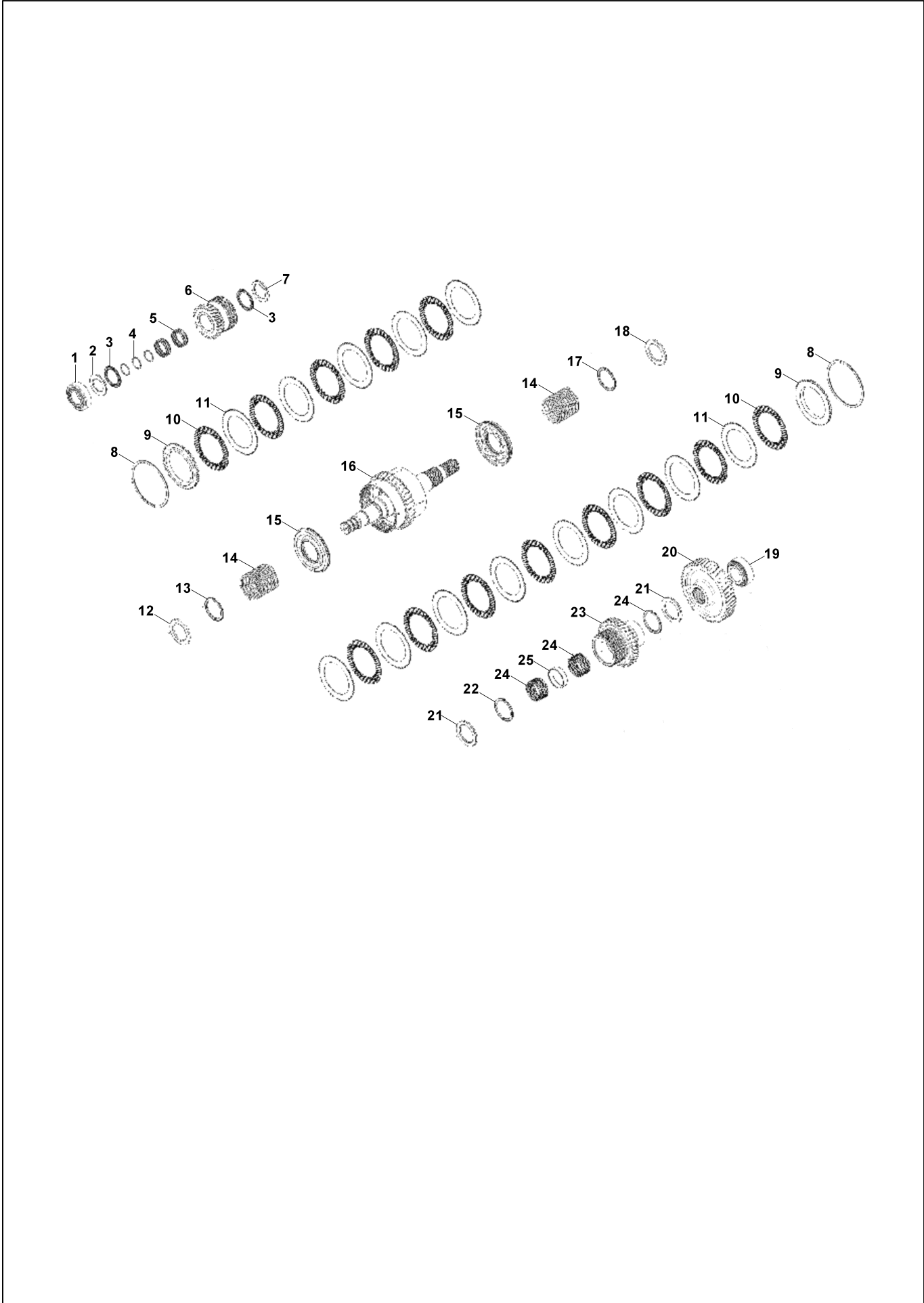
ŞANZIMAN, KAVRAMA DİSK GRUBU TRANSMISSION, CLUTCH GROUP



**ŞANZIMAN, KAVRAMA DİSK GRUBU
TRANSMISSION, CLUTCH GROUP**

No	Parça No	Parça Adı	Description	Adet	S.K.	Bas.S.N	Bit.S.N	Y.K.	Not
No	Part no			Qty	SC	S/N from	S/N to	ICA	Note
0	F0340227	KAVRAMA	CLUTCH GROUP	1					
1	F0340117	ARA PARÇA	SPACER	1					
2	F0340118	RULMAN	BEARING CONE	2					
2	F0340119	RULMAN	BEARING CUP	2					
3	F0340120	RULMAN	BEARING - SPL	1					
4	F0340121	PUL	WASHER	1					
5	F0340122	DİŞLİ	GEAR	1					
6	F0340123	RULMAN	BEARING - CAGED	2					
7	F0340124	ARA PARÇA	SPACER- BRG	1					
8	F0340125	PUL	WASHER	1					
9	F0340126	SEGMAN	RETAINING RING-SPIRAL	1					
10	F0340127	SAC	PLATE- END	1					
11	F0340128	KAVRAMA BALATASI	DISC - FRICTION	8					
12	F0340129	KAVRAMA DİSKİ	DISC - CLUTCH	8					
13	F0340130	HALKA	RING	1					
14	F0340131	ŞAFT KOMPLESİ, ÇIKIŞ	SHAFT - ASS' Y OUTPUT	1					
15	F0340132	KAVRAMA, PİSTON	PISTON - CLUTCH	1					
16	F0340133	YAY	SPRING	1					
17	F0340134	TUTUCU	RETAINER - SPRING	1					
18	F0340135	SEGMAN	RING - RETAINING	1					

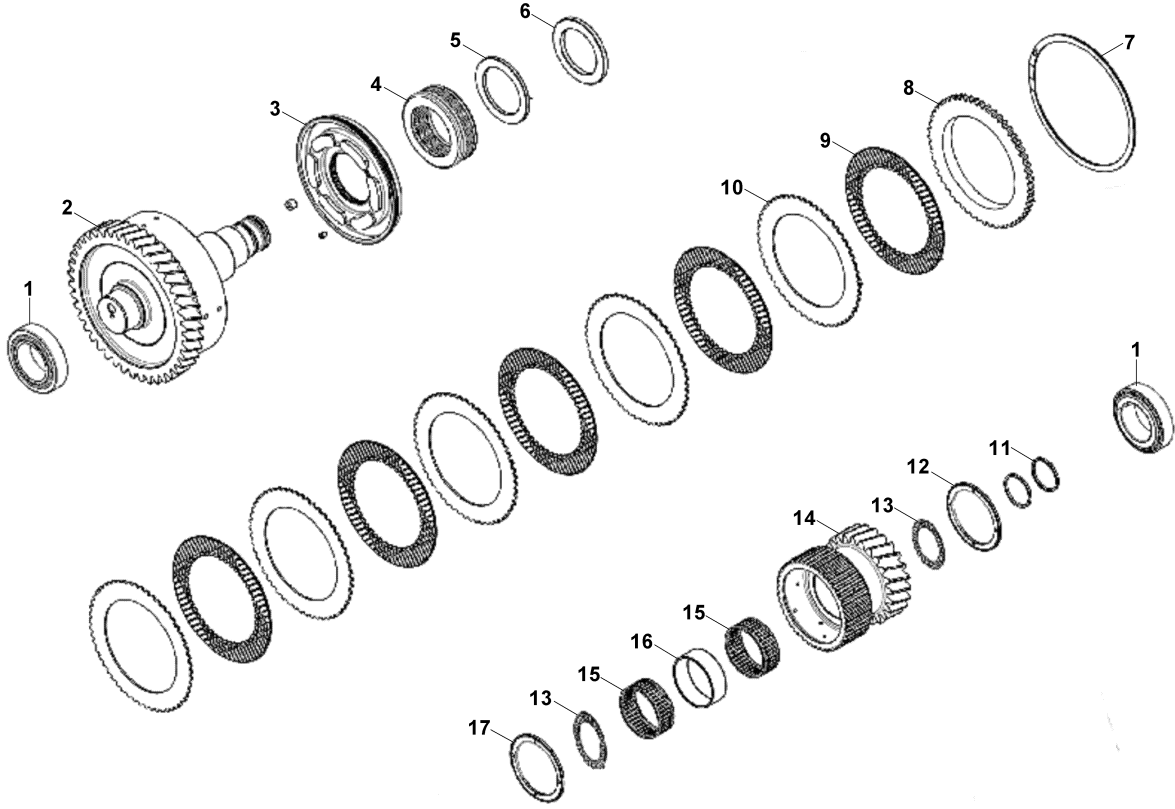
ŞANZIMAN, KAVRAMA GRUBU, ANA (STANDART)
TRANSMISSION, SHAFT GROUP - MAIN (STANDARD)



**ŞANZIMAN, KAVRAMA GRUBU, ANA (STANDART)
TRANSMISSION, SHAFT GROUP - MAIN (STANDARD)**

No	Parça No	Parça Adı	Description	Adet	S.K.	Bas.S.N	Bit.S.N	Y.K.	Not
No	Part no			Qty	SC	S/N from	S/N to	ICA	Note
0	F0340228	KAVRAMA, ANA	SHAFT Gp - MAIN	1					
1	F0340136	RULMAN	BEARING CONE	1					
1	F0340137	RULMAN	BEARING CUP	1					
2	F0340121	PUL	WASHER	1					
3	F0340120	RULMAN	BEARING - SPL	2					
4	F0340140	BİLEZİK	RING - SEAL	3					
5	F0340123	RULMAN	BEARING - CAGED	2					
6	F0340207	DİŞLİ	GEAR	1					
7	F0340125	PUL	WASHER	1					
8	F0340143	SEGMAN	RING - RETAINING	1					
9	F0340127	SAC	PLATE- END	2					
10	F0340144	KAVRAMA BALATASI	DISC - FRICTION	13					
11	F0340129	KAVRAMA DİSKİ	DISC - CLUTCH	13					
12	F0340145	TUTUCU	RETAINER	1					
13	F0340146	HALKA	RING - RETAINING	1					
14	F0340147	YAY	SPRING - WAVE	2					
15	F0340148	KAVRAMA, PİSTON	PISTON - CLUTCH	2					
16	F0340149	ŞAFT KOMPLESİ	SHAFT - ASS' Y.	1					
17	F0340150	SEGMAN	RING - RETAINING	1					
18	F0340151	TUTUCU	RETAINER - SPRING	1					
19	F0340152	RULMAN	BEARING CUP	1					
19	F0340153	RULMAN	BEARING CONE	1					
20	F0340154	DİŞLİ	GEAR	1					
21	F0340155	PUL	WASHER - SUPPORT	2					
22	F0340156	RULMAN	BEARING - SPL	2					
23	F0340157	DİŞLİ	GEAR	1					
24	F0340158	RULMAN	BEARING - CAGED	2					
25	F0340159	ARA PARÇA	SPACER	1					

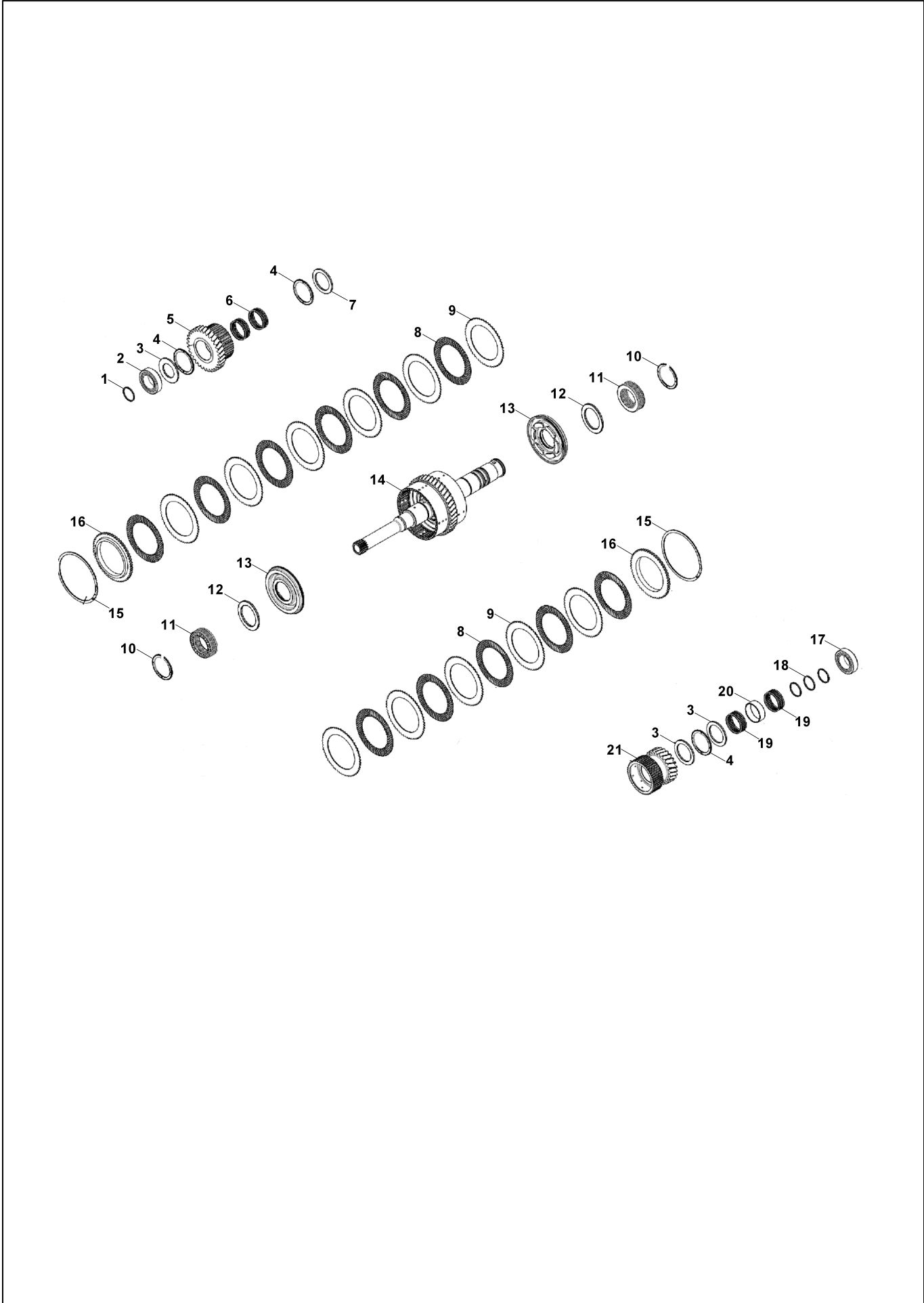
**ŞANZIMAN, KAVRAMA GRUBU, AVARE DİŞLİ
TRANSMISSION, SHAFT GROUP IDLER**



**ŞANZIMAN, KAVRAMA GRUBU, AVARE DİŞLİ
TRANSMISSION, SHAFT GROUP IDLER**

No	Parça No	Parça Adı	Description	Adet	S.K.	Bas.S.N	Bit.S.N	Y.K.	Not
No	Part no			Qty	SC	S/N from	S/N to	ICA	Note
0	F0340139	KAVRAMA, AVARA	SHAFT Gp - IDLER	1					
1	F0340118	RULMAN	BEARING CONE	2					
1	F0340119	RULMAN	BEARING CUP	2					
2	F0340160	ŞAFT KOMPLESİ	SHAFT - ASS' Y.- RESERVE	1					
3	F0340161	KAVRAMA DİSKİ	DISC - CLUTCH	1					
4	F0340133	YAY	SPRING	1					
5	F0340135	SEGMAN	RING - RETAINING	1					
6	F0340134	TUTUCU	RETAINER - SPRING	1					
7	F0340143	SEGMAN	RING - RETAINING	1					
8	F0340127	SAC	PLATE- END	2					
9	F0340144	KAVRAMA BALATASI	DISC - FRICTION	5					
10	F0340129	KAVRAMA DİSKİ	DISC - CLUTCH	5					
11	F0340140	BİLEZİK	RING - SEAL	2					
12	F0340169	PUL	WASHER - THRUST	1					
13	F0340170	RULMAN	BEARING - SPL	2					
14	F0340171	DİŞLİ	GEAR	1					
15	F0340172	RULMAN	BEARING - NEEDLE	2					
16	F0340173	ARA PARÇA	SPACER	1					
17	F0340174	PUL	WASHER - THRUST	1					

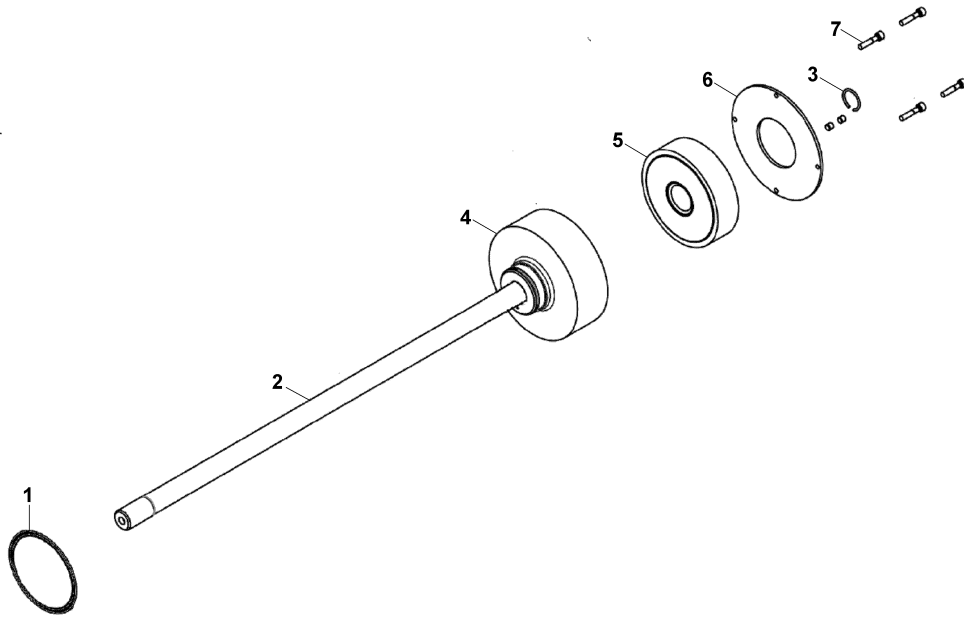
ŞANZIMAN, KAVRAMA GRUBU, GİRİŞ (STANDART)
TRANSMISSION, SHAFT GROUP INPUT (STANDARD)



ŞANZIMAN, KAVRAMA GRUBU, GİRİŞ (STANDART)
TRANSMISSION, SHAFT GROUP INPUT (STANDARD)

No	Parça No	Parça Adı	Description	Adet	S.K.	Bas.S.N	Bit.S.N	Y.K.	Not
No	Part no			Qty	SC	S/N from	S/N to	ICA	Note
0	F0340230	KAVRAMA, GİRİŞ	SHAFT Gp - INPUT	1					
1	F0340175	BİLEZİK	RING - SEAL	1					
2	F0340118	RULMAN	BEARING CONE	2					
2	F0340119	RULMAN	BEARING CUP	2					
3	F0340169	PUL	WASHER - THRUST	1					
4	F0340170	RULMAN	BEARING - SPL	4					
5	F0340176	DİŞLİ	GEAR	1					
6	F0340177	RULMAN	BEARING - CAGED	2					
7	F0340174	PUL	WASHER - THRUST	3					
8	F0340144	KAVRAMA BALATASI	DISC - FRICTION	11					
9	F0340129	KAVRAMA DİSKİ	DISC - CLUTCH	11					
10	F0340135	SEGMAN	RING - RETAINING	3					
11	F0340133	YAY	SPRING	2					
12	F0340134	TUTUCU	RETAINER - SPRING	2					
13	F0340161	KAVRAMA DİSKİ	DISC - CLUTCH	2					
14	F0340231	ŞAFT KOMPLE	SHAFT ASS'Y- INPUT	1					
15	F0340143	SEGMAN	RING - RETAINING	2					
16	F0340127	SAC	PLATE- END	2					
17	F0340179	RULMAN	BEARING CONE	1					
17	F0340180	RULMAN	BEARING CUP	1					
18	F0340181	BİLEZİK	RING - SEAL	5					
19	F0340172	RULMAN	BEARING - NEEDLE	2					
20	F0340173	ARA PARÇA	SPACER	1					
21	F0340171	DİŞLİ	GEAR	1					

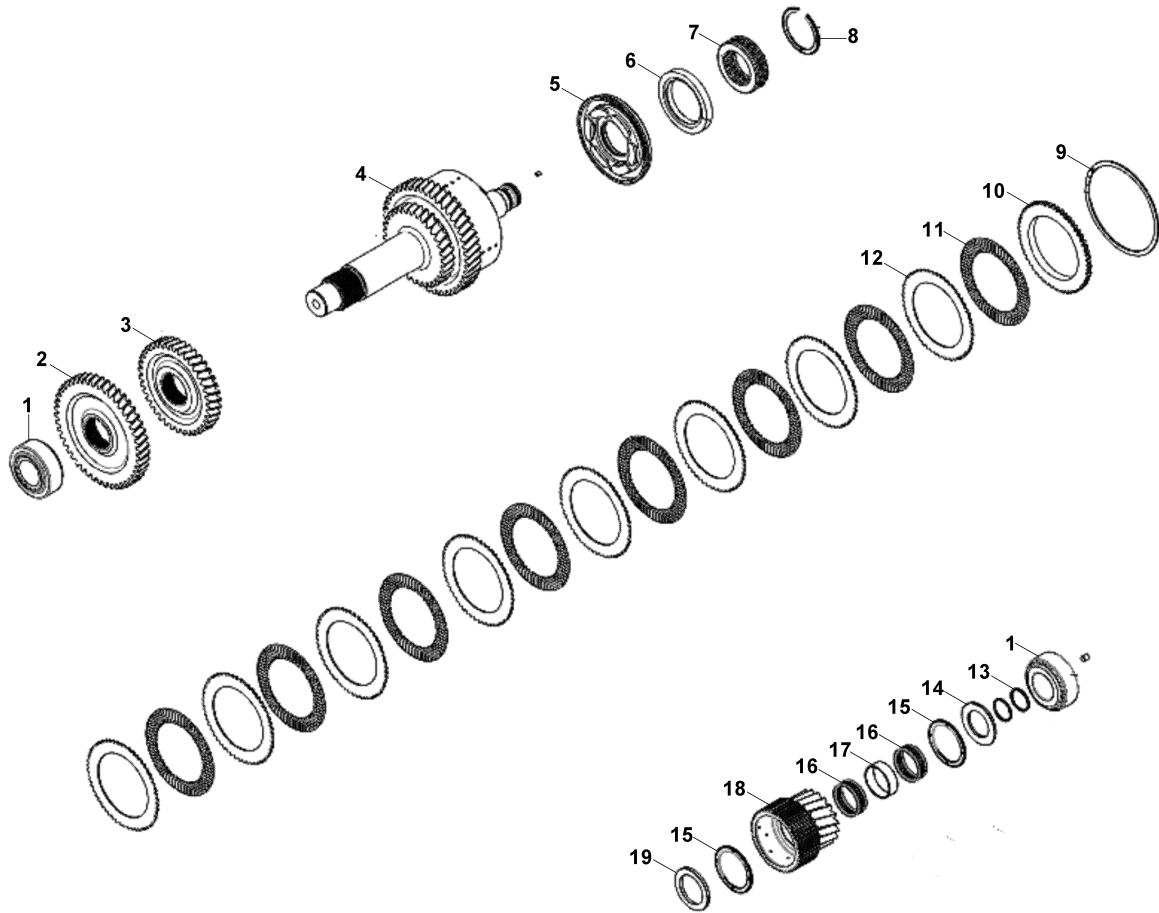
ŞANZIMAN, ŞAFT GRUBU, PTO (STANDART)
TRANSMISSION, SHAFT GROUP PTO (STANDARD)



ŞANZIMAN, ŞAFT GRUBU, PTO (STANDART)
TRANSMISSION, SHAFT GROUP PTO (STANDARD)

No	Parça No	Parça Adı	Adet	S.K.	Bas.S.N	Bit.S.N	Y.K.	Not
No	Part no	Description	Qty	SC	S/N from	S/N to	ICA	Note
0	F0340232	ŞAFT KOMPLESİ	1					
1	F0340181	BİLEZİK	1					
2	F0340233	ŞAFT	1					
3	F0310184	SEGMAN	1					
4	F0310185	ADAPTÖR	1					
5	F0310186	GÖBEK, ADAPTÖR	1					
6	F0310187	SAC	1					
7	F0310188	CIVATA	4					

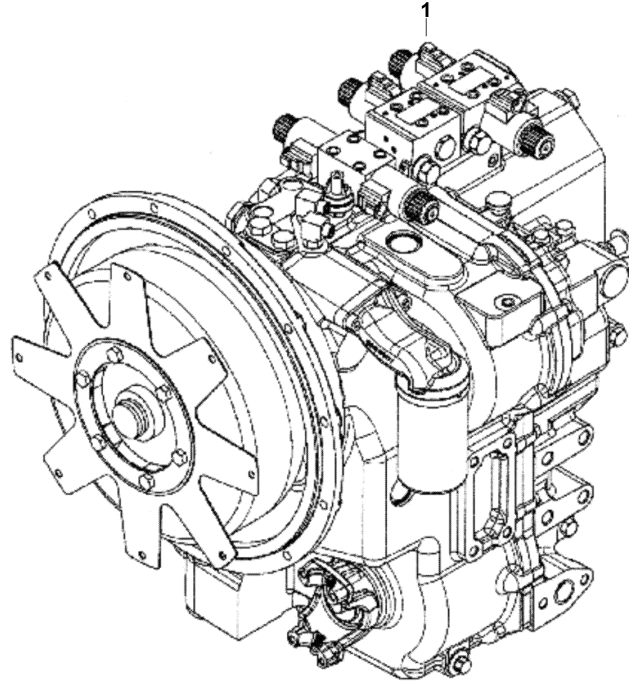
ŞANZIMAN, KAVRAMA GRUBU, GERİ (STANDART)
TRANSMISSION, SHAFT GROUP COUNTER (STANDARD)



**ŞANZIMAN, KAVRAMA GRUBU, GERİ (STANDART)
TRANSMISSION, SHAFT GROUP COUNTER (STANDARD)**

No	Parça No	Parça Adı	Description	Adet	S.K.	Bas.S.N	Bit.S.N	Y.K.	Not
No	Part no			Qty	SC	S/N from	S/N to	ICA	Note
0	F0340234	KAVRAMA, GERİ	SHAFT GROUP COUNTER	1					
1	F0340153	RULMAN	BEARING CONE	2					
1	F0340152	RULMAN	BEARING CUP	2					
2	F0340235	DİŞLİ	GEAR	1					
3	F0310190	DİŞLİ	GEAR	1					
4	F0310191	ŞAFT KOMPLE	SHAFT ASS'Y	1					
5	F0340161	KAVRAMA DİSKİ	DISC - CLUTCH	1					
6	F0340134	TUTUCU	RETAINER - SPRING	1					
7	F0340133	YAY	SPRING	1					
8	F0340135	SEGMAN	RING - RETAINING	1					
9	F0340143	SEGMAN	RING - RETAINING	1					
10	F0340127	SAC	PLATE- END	1					
11	F0340144	KAVRAMA BALATASI	DISC - FRICTION	8					
12	F0340129	KAVRAMA DİSKİ	DISC - CLUTCH	8					
13	F0340140	BİLEZİK	RING - SEAL	2					
14	F0340121	PUL	WASHER	1					
15	F0340120	RULMAN	BEARING - SPL	2					
16	F0340123	RULMAN	BEARING - CAGED	2					
17	F0310192	ARA PARÇA	SPACER	1					
18	F0310193	DİŞLİ	GEAR	1					
19	F0340125	PUL	WASHER	1					

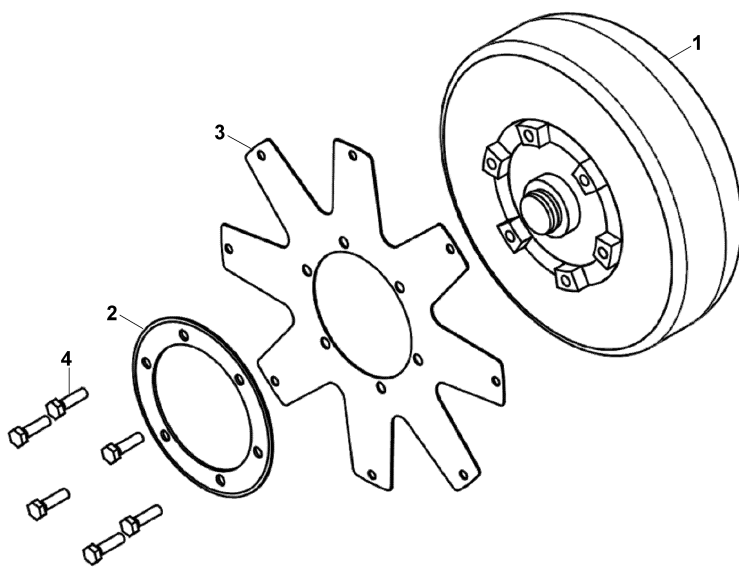
**ŞANZIMAN (LUCK-UP)
TRANSMISSION (LUCK-UP)**



**ŞANZIMAN (LUCK-UP)
TRANSMISSION (LUCK-UP)**

No	Parça No Part no	Parça Adı	Description	Adet Qty	S.K. SC	Bas.S.N S/N from	Bit.S.N S/N to	Y.K. ICA	Not Note
1	F0315816	ŞANZIMAN	TRANSMISSION	1					

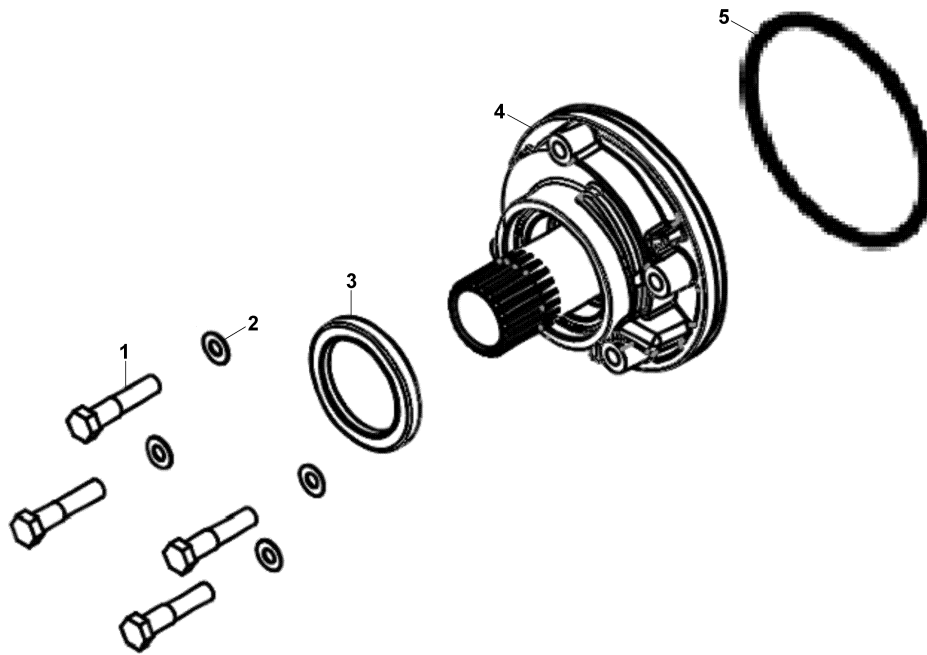
ŞANZIMAN, TORK KONVERTÖR (LUCK-UP)
TRANSMISSION, TORQUE CONVERTER ARRANGMENT (LUCK-UP)



ŞANZIMAN, TORK KONVERTÖR (LUCK-UP)
TRANSMISSION, TORQUE CONVERTER ARRANGMENT (LUCK-UP)

No	Parça No	Parça Adı	Adet	S.K.	Bas.S.N	Bit.S.N	Y.K.	Not
No	Part no	Description	Qty	SC	S/N from	S/N to	ICA	Note
0	F0340218	KONVERTÖR KOMPLE	1					
1	F0340000	KONVERTÖR KOMPLE	1					
2	F0340001	SAC, KONVERTÖR	1					
3	F0340002	SAC, KONVERTÖR	1					
4	F0340003	CIVATA	6					

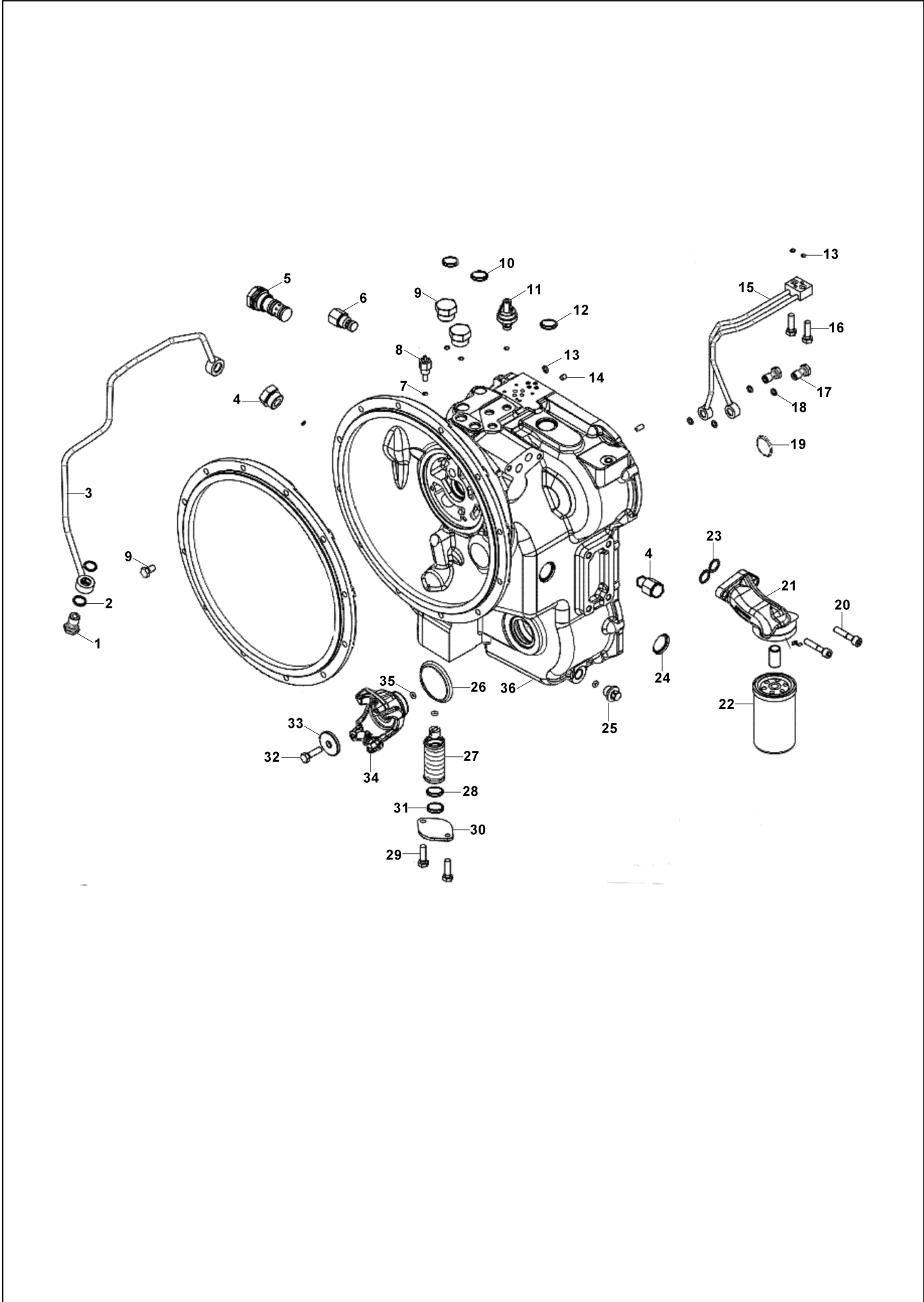
ŞANZIMAN, POMPA GRUBU
TRANSMISSION, PUMP GROUP



**ŞANZIMAN, POMPA GRUBU
TRANSMISSION, PUMP GROUP**

No	Parça No	Parça Adı	Adet	S.K.	Bas.S.N	Bit.S.N	Y.K.	Not
No	Part no	Description	Qty	SC	S/N from	S/N to	ICA	Note
0	F0340224	POMPA, ŞANZIMAN	1					
1	F0340004	CIVATA	4					
2	F0340005	PUL	4					
3	F0340006	KEÇE	1					
4	F0340007	POMPA	1					
4	F0340008	POMPA	1					
4	F0340009	KAVRAMA, GİRİŞ	1					
5	F0340010	KEÇE	1					

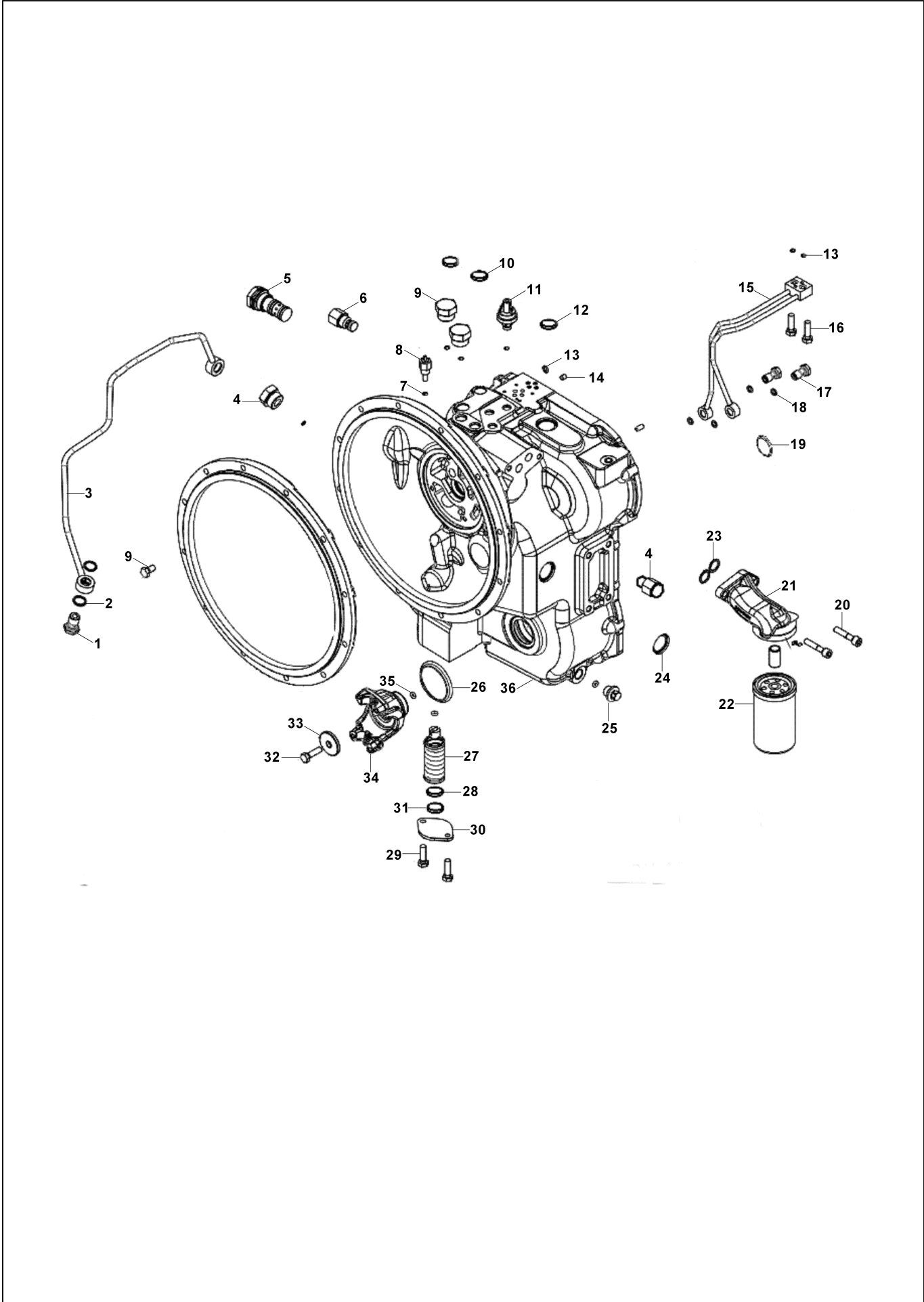
ŞANZIMAN, TRANSMİSYON GÖVDESİ, ÖN (LUCK-UP) TRANSMISSION, FRONT CASING AND ANCILLIARIES (LUCK-UP)



**ŞANZIMAN, TRANSMİSYON GÖVDESİ, ÖN (LUCK-UP)
TRANSMISSION, FRONT CASING AND ANCILLIARIES (LUCK-UP)**

No	Parça No	Parça Adı	Adet	S.K.	Bas.S.N	Bit.S.N	Y.K.	Not
No	Part no	Description	Qty	SC	S/N from	S/N to	ICA	Note
1	F0340011	CIVATA	2					
2	F0340012	PUL	4					
3	F0340013	BORU KOMPL.	1					
4	F0340014	TAPA KOMPLE	1					
4	F0340015	KEÇE	1					
4	F0340016	TAPA	1					
5	F0340017	VALF	1					
5	F0340018	KEÇE	1					
5	F0340019	KEÇE	1					
5	F0340020	VALF	1					
5	F0340018	KEÇE	1					
5	F0340019	KEÇE	1					
6	F0340023	VALF	1					
6	F0340024	KEÇE	1					
6	F0340025	KEÇE	1					
6	F0340026	KEÇE	1					
7	F0340015	KEÇE	1					
8	S0643493	SENSÖR KOMPL.	1					
9	F0340031	TAPA KOMPL.	3					
9	F0340032	TAPA	1					
9	F0340033	KEÇE- O-RING	1					
10	F0340034	TAPA	2					
11	F0340035	SVİÇ	1					
11	F0340015	KEÇE	1					
11	F0340036	SVİÇ, SICAKLIK	1					
12	F0340037	TAPA	2					
13	F0340038	KEÇE	3					
14	F0340039	MERKEZLEME PİMİ	2					
15	F0340040	BORU, KOMPL.	1					
16	F0340041	CIVATA	2					
17	F0340042	BANJO CIVATA	2					
18	F0340043	PUL	4					
19	F0340044	TAPA	1					
20	F0340045	CIVATA	2					
21	F0340046	DİRSEK	1					
21	F0340047	ADAPTÖR	1					
21	F0340048	ADAPTÖR	1					
22	F0315803	FİLTRE, YAĞ	1					
23	F0340050	KEÇE- O-RING	2					
24	F0340037	TAPA	2					
25	F0340052	TAPA KOMPL.	1					
25	F0340053	TAPA KOMPL.	1					
25	F0340054	KEÇE	1					
26	F0340055	KEÇE	1					
27	F0340056	SÜZGEÇ, EMİŞ	1					
28	F0340057	HALKA	1					
29	F0340058	CIVATA	2					

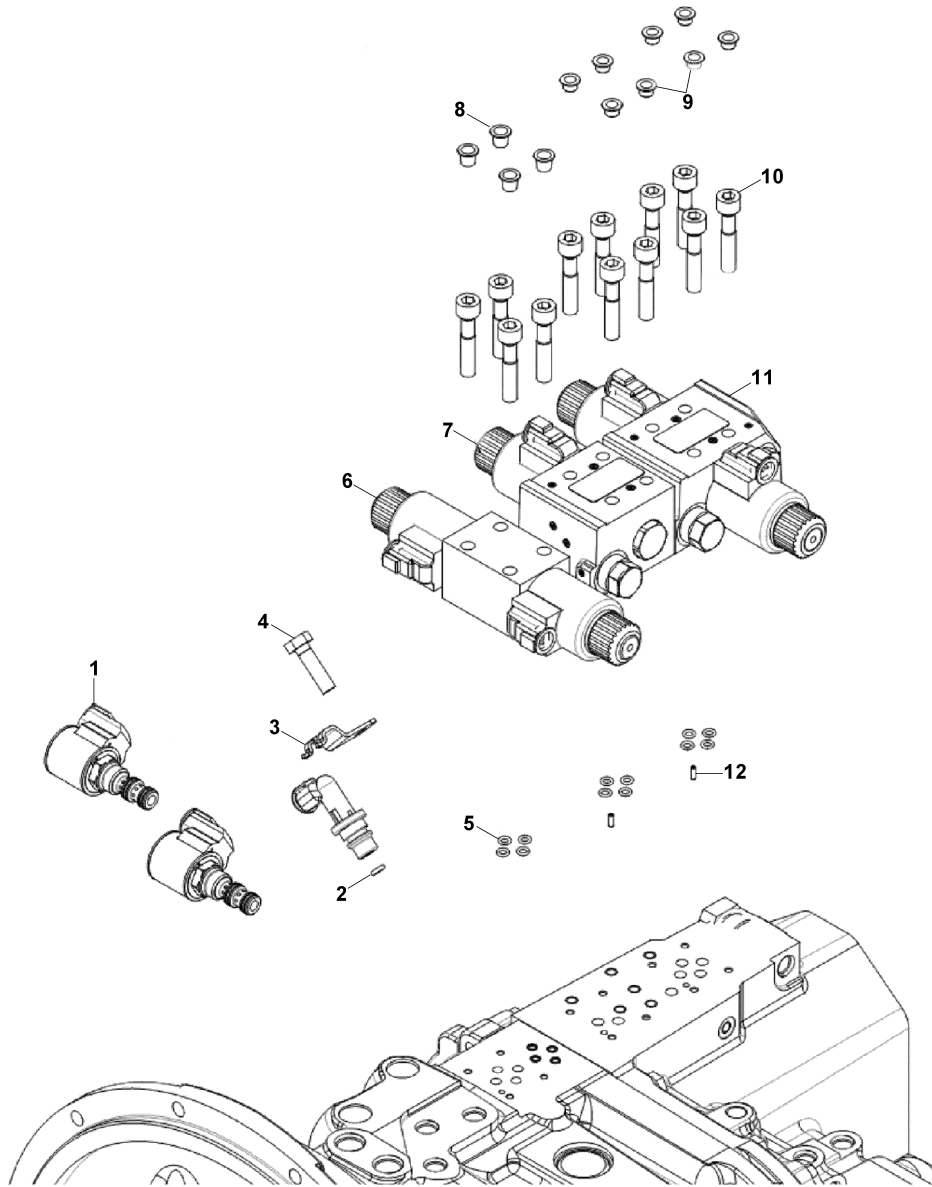
ŞANZIMAN, TRANSMİSYON GÖVDESİ, ÖN (LUCK-UP) TRANSMISSION, FRONT CASING AND ANCILLIARIES (LUCK-UP)



ŞANZIMAN, TRANSMİSYON GÖVDESİ, ÖN (LUCK-UP)
TRANSMISSION, FRONT CASING AND ANCILLIARIES (LUCK-UP)

No	Parça No	Parça Adı	Adet	S.K.	Bas.S.N	Bit.S.N	Y.K.	Not
No	Part no	Description	Qty	SC	S/N from	S/N to	ICA	Note
30	F0340059	KAPAK	1					
31	F0340060	KEÇE	1					
32	F0340061	CIVATA	1					
33	F0340062	PUL	1					
34	F0340063	MAFSAL	1					
34	F0340064	MUHAFAZA	1					
35	F0340065	KEÇE	1					
36	F0340066	GÖVDE KOMPL., ÖN	1					

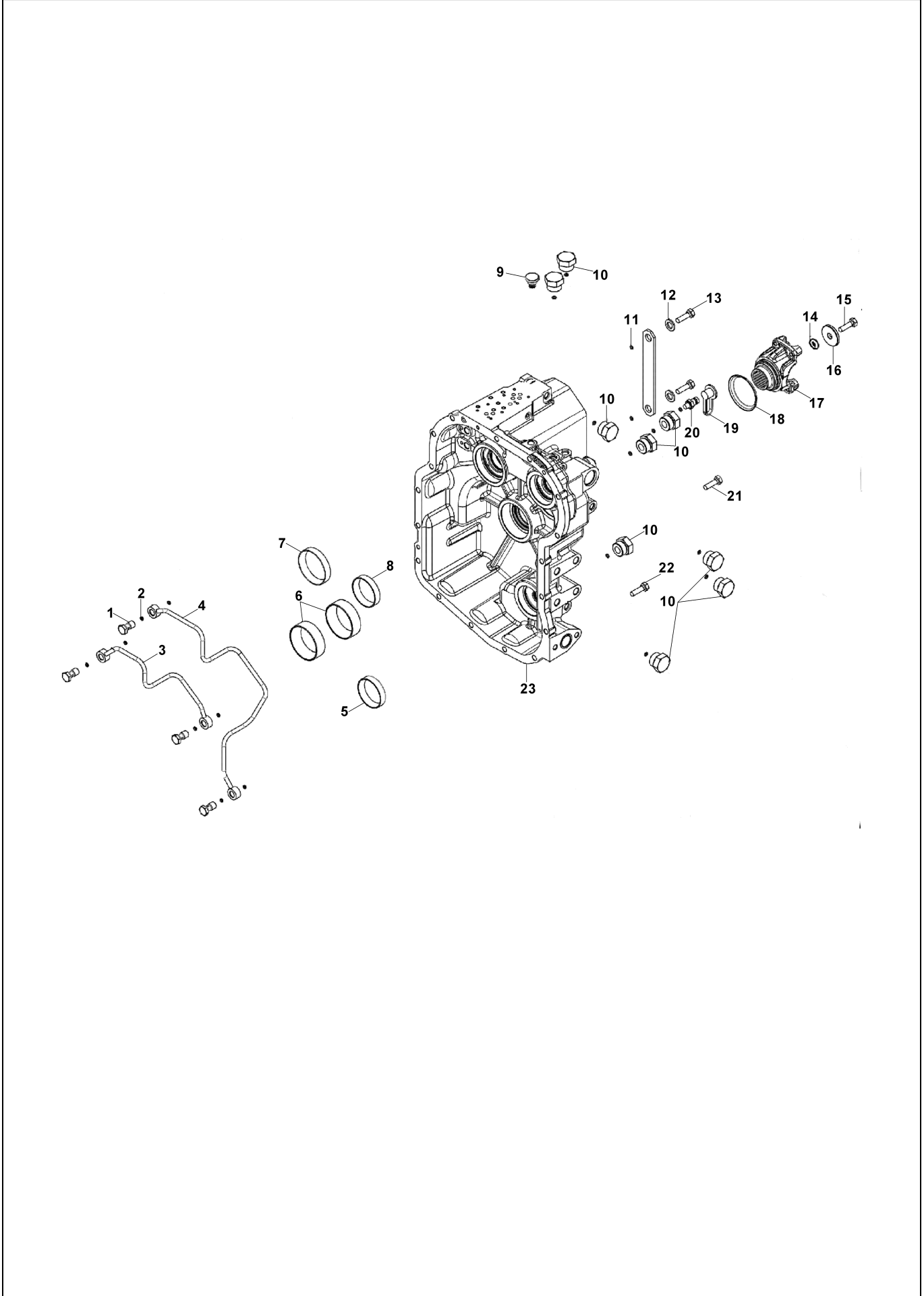
ŞANZIMAN, VALF GRUBU TRANSMISSION, VALVE GROUP



ŞANZIMAN, VALF GRUBU
TRANSMISSION, VALVE GROUP

No	Parça No	Parça Adı	Description	Adet	S.K.	Bas.S.N	Bit.S.N	Y.K.	Not
No	Part no			Qty	SC	S/N from	S/N to	ICA	Note
0	F0340067	VALF	VALVE GP	2					
1	F0340068	BOBİN	COIL	1					
2	F0340069	KEÇE	SEAL	1					
3	F0340070	SENSÖR	SENSOR GP - SPEED A	1					
4	F0340058	CIVATA	BOLT	1					
5	F0340071	KEÇE	SEAL	12					
6	F0340072	VALF	VALVE GP	1					
6	F0340073	BOBİN	COIL ASS' Y	2					
6	F0340074	BORU	TUBE ASS' Y	2					
6	F0340075	KEÇE	SEAL - O- RING	2					
6	F0340076	SOMUN	NUT- LOCKING	2					
6	F0340077	TAPA	PLUG - ORIFICIE	2					
7	F0340078	VALF	VALVE GP	1					
7	F0340073	BOBİN	COIL ASS' Y	1					
7	F0340080	BORU	TUBE ASS' Y	1					
7	F0340075	KEÇE	SEAL - O- RING	1					
7	F0340076	SOMUN	NUT- LOCKING	1					
7	F0340077	TAPA	PLUG - ORIFICIE	2					
8	F0340082	TAPA	PLUG - PROTECTIVE	5					
9	F0340083	TAPA	PLUG - PROTECTIVE	8					
10	F0340084	CIVATA	BOLT	12					
11	F0340085	VALF	VALVE GP	1					
11	F0340073	BOBİN	COIL ASS' Y	2					
11	F0340080	BORU	TUBE ASS' Y	2					
11	F0340075	KEÇE	SEAL - O- RING	2					
11	F0340076	SOMUN	NUT- LOCKING	2					
12	F0340088	PİM	PIN - SPRING TENSION	2					

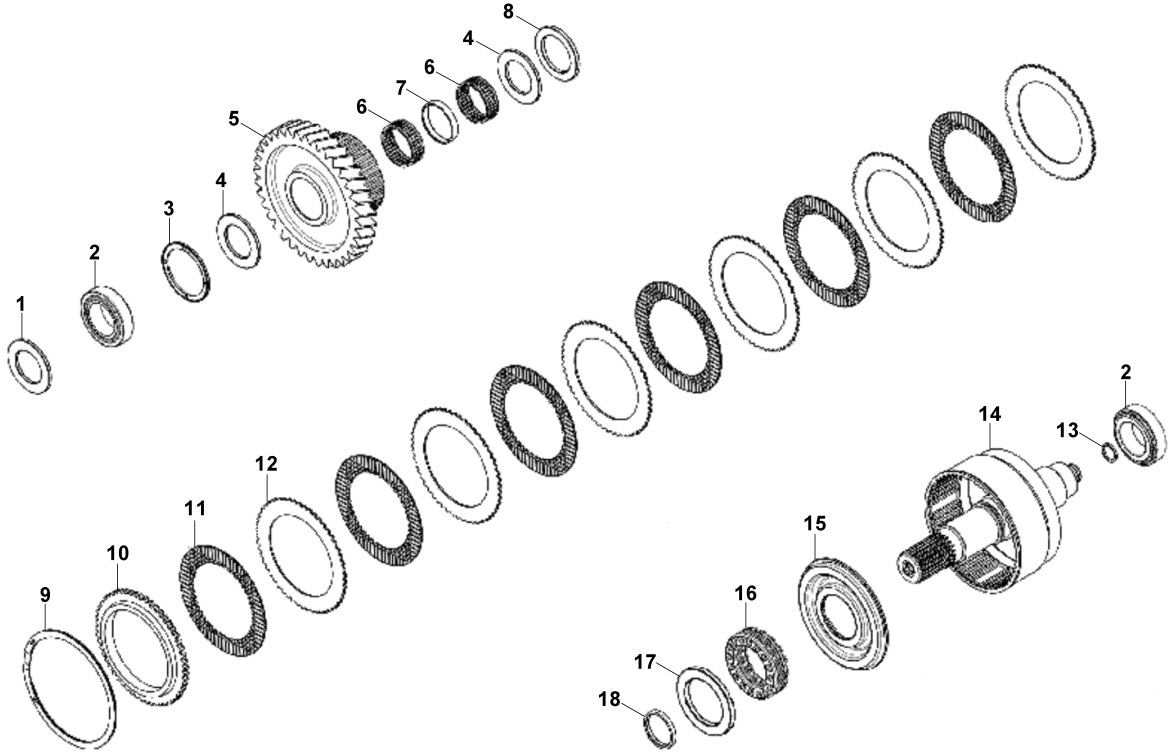
ŞANZIMAN, TRANSMİSYON GÖVDESİ, ARKA (LUCK-UP)
TRANSMISSION, REAR CASING AND ANCILLIARIES (LUCK-UP)



ŞANZIMAN, TRANSMİSYON GÖVDESİ, ARKA (LUCK-UP)
TRANSMISSION, REAR CASING AND ANCILLIARIES (LUCK-UP)

No	Parça No	Parça Adı	Description	Adet	S.K.	Bas.S.N	Bit.S.N	Y.K.	Not
No	Part no			Qty	SC	S/N from	S/N to	ICA	Note
1	F0340042	BANJO CIVATA	BOLT - BANJO	4					
2	F0340043	PUL	WASHER	8					
3	F0340089	BORU	TUBE ASS' Y	1					
4	F0340090	BORU	TUBE ASS' Y	1					
5	F0340091	ARA PARÇA	SPACER	1					
5	F0340092	ŞİM	SHIM	2					
5	F0340093	ŞİM	SHIM	2					
5	F0340094	ŞİM	SHIM	2					
5	F0340095	ŞİM	SHIM	2					
6	F0340096	ARA PARÇA	SPACER	2					
6	F0340097	ŞİM	SHIM	4					
6	F0340098	ŞİM	SHIM	4					
6	F0340099	ŞİM	SHIM	4					
6	F0340100	ŞİM	SHIM	4					
7	F0340101	ARA PARÇA	SPACER	1					
7	F0340102	ŞİM	SHIM	2					
7	F0340103	ŞİM	SHIM	2					
7	F0340104	ŞİM	SHIM	2					
7	F0340105	ŞİM	SHIM	2					
8	F0340091	ARA PARÇA	SPACER	1					
8	F0340092	ŞİM	SHIM	2					
8	F0340093	ŞİM	SHIM	2					
8	F0340094	ŞİM	SHIM	2					
8	F0340095	ŞİM	SHIM	2					
9	F0340106	HAVALANDIRMA	BREATHER	1					
10	F0340014	TAPA KOMPLE	PLUG ASS' Y	9					
10	F0340016	TAPA	PLUG	1					
10	F0340015	KEÇE	SEAL - O- RING	1					
11	F0340109	KEÇE	SEAL - O- RING	2					
12	F0340110	PUL	WASHER	2					
13	F0340111	CIVATA	BOLT	2					
14	F0340065	KEÇE	SEAL - O- RING	1					
15	F0340061	CIVATA	BOLT	1					
16	F0340062	PUL	WASHER	1					
17	F0340063	MAFSAL	YOKE ASS' Y	1					
17	F0340064	MUHAFAZA	GUARD	1					
18	F0340055	KEÇE	SEAL	1					
19	F0340112	KAPAK, TOZ	CAP - DUST	1					
20	F0340113	NİPEL	ADAPTOR - STRAIGHT	1					
21	F0340114	CIVATA	BOLT	1					
22	F0340115	CIVATA	BOLT	16					
23	F0340116	GÖVDE KOMPLESİ, ARKA	CASE ASS' Y- REAR	1					

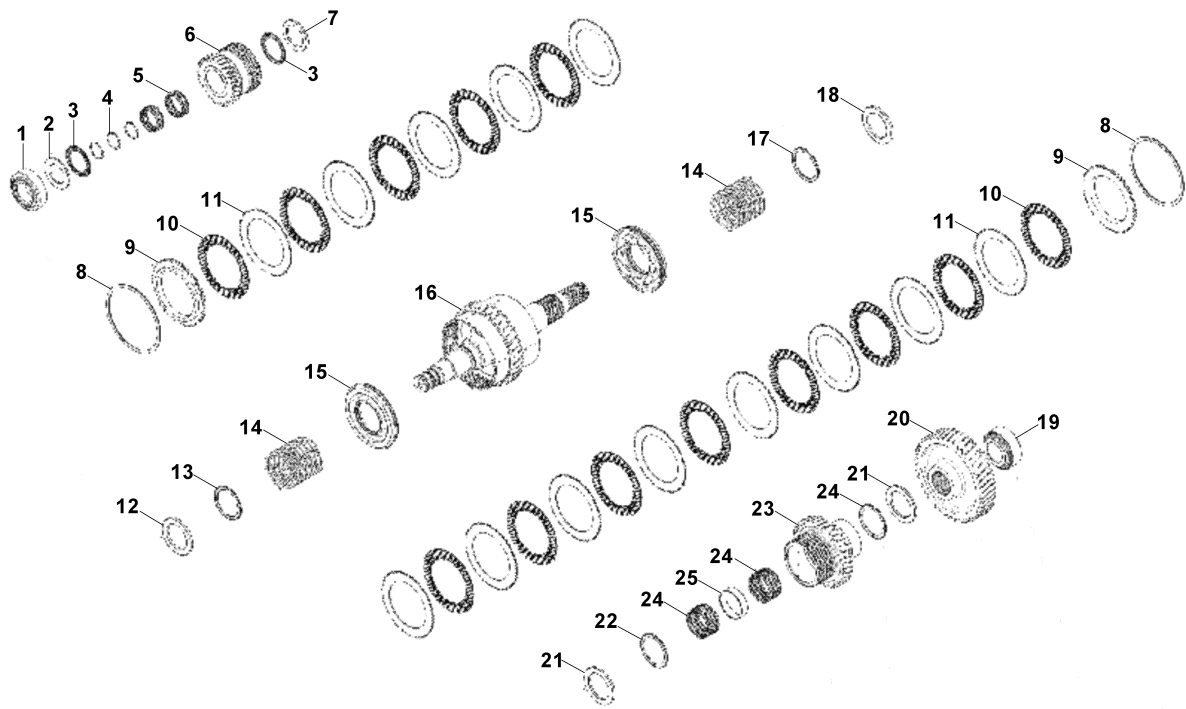
ŞANZIMAN, KAVRAMA DİSK GRUBU
TRANSMISSION, CLUTCH GROUP



ŞANZIMAN, KAVRAMA DİSK GRUBU
TRANSMISSION, CLUTCH GROUP

No	Parça No	Parça Adı	Description	Adet	S.K.	Bas.S.N	Bit.S.N	Y.K.	Not
No	Part no			Qty	SC	S/N from	S/N to	ICA	Note
0	F0340227	KAVRAMA	CLUTCH GROUP						
1	F0340117	ARA PARÇA	SPACER	1					
2	F0340118	RULMAN	BEARING CONE	2					
2	F0340119	RULMAN	BEARING CUP	2					
3	F0340120	RULMAN	BEARING - SPL	1					
4	F0340121	PUL	WASHER	1					
5	F0340122	DİŞLİ	GEAR	1					
6	F0340123	RULMAN	BEARING - CAGED	2					
7	F0340124	ARA PARÇA	SPACER- BRG	1					
8	F0340125	PUL	WASHER	1					
9	F0340126	SEGMAN	RETAINING RING-SPIRAL	1					
10	F0340127	SAC	PLATE- END	1					
11	F0340128	KAVRAMA BALATASI	DISC - FRICTION	8					
12	F0340129	KAVRAMA DİSKİ	DISC - CLUTCH	8					
13	F0340130	HALKA	RING	1					
14	F0340131	ŞAFT KOMPLESİ, ÇIKIŞ	SHAFT - ASS' Y OUTPUT	1					
15	F0340132	KAVRAMA, PİSTON	PISTON - CLUTCH	1					
16	F0340133	YAY	SPRING	1					
17	F0340134	TUTUCU	RETAINER - SPRING	1					
18	F0340135	SEGMAN	RING - RETAINING	1					

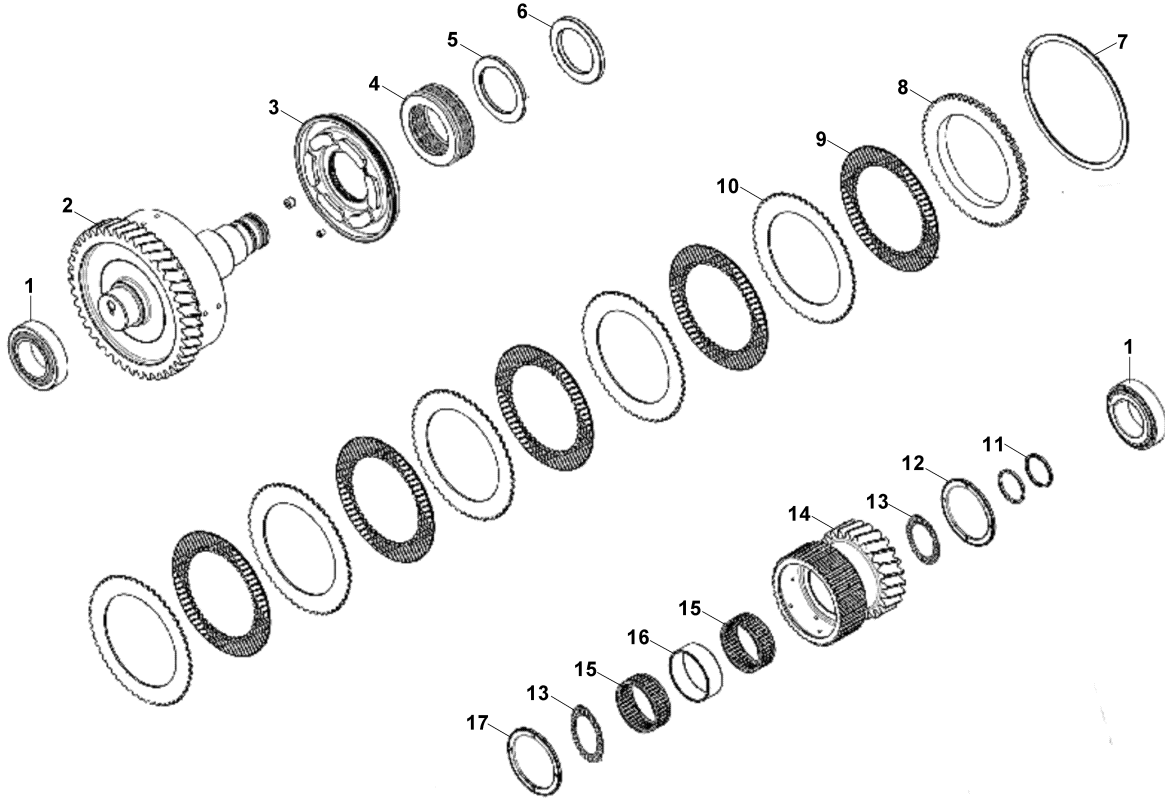
ŞANZIMAN, KAVRAMA GRUBU, ANA (LUCK-UP)
TRANSMISSION, SHAFT GROUP - MAIN (LUCK-UP)



**ŞANZIMAN, KAVRAMA GRUBU, ANA (LUCK-UP)
TRANSMISSION, SHAFT GROUP - MAIN (LUCK-UP)**

No	Parça No	Parça Adı	Description	Adet	S.K.	Bas.S.N	Bit.S.N	Y.K.	Not
No	Part no			Qty	SC	S/N from	S/N to	ICA	Note
0	F0340138	KAVRAMA, ANA	SHAFT Gp - MAIN	1					
1	F0340136	RULMAN	BEARING CONE	1					
1	F0340137	RULMAN	BEARING CUP	1					
2	F0340121	PUL	WASHER	1					
3	F0340120	RULMAN	BEARING - SPL	2					
4	F0340140	BİLEZİK	RING - SEAL	3					
5	F0340123	RULMAN	BEARING - CAGED	2					
6	F0340141	DİŞLİ	GEAR	1					
7	F0340125	PUL	WASHER	1					
8	F0340143	SEGMAN	RING - RETAINING	1					
9	F0340127	SAC	PLATE- END	2					
10	F0340144	KAVRAMA BALATASI	DISC - FRICTION	13					
11	F0340129	KAVRAMA DİSKİ	DISC - CLUTCH	13					
12	F0340145	TUTUCU	RETAINER	1					
13	F0340146	HALKA	RING - RETAINING	1					
14	F0340147	YAY	SPRING - WAVE	2					
15	F0340148	KAVRAMA, PİSTON	PISTON - CLUTCH	2					
16	F0340149	ŞAFT KOMPLESİ	SHAFT - ASS' Y.	1					
17	F0340150	SEGMAN	RING - RETAINING	1					
18	F0340151	TUTUCU	RETAINER - SPRING	1					
19	F0340152	RULMAN	BEARING CUP	1					
19	F0340153	RULMAN	BEARING CONE	1					
20	F0340154	DİŞLİ	GEAR	1					
21	F0340155	PUL	WASHER - SUPPORT	2					
22	F0340156	RULMAN	BEARING - SPL	2					
23	F0340157	DİŞLİ	GEAR	1					
24	F0340158	RULMAN	BEARING - CAGED	2					
25	F0340159	ARA PARÇA	SPACER	1					

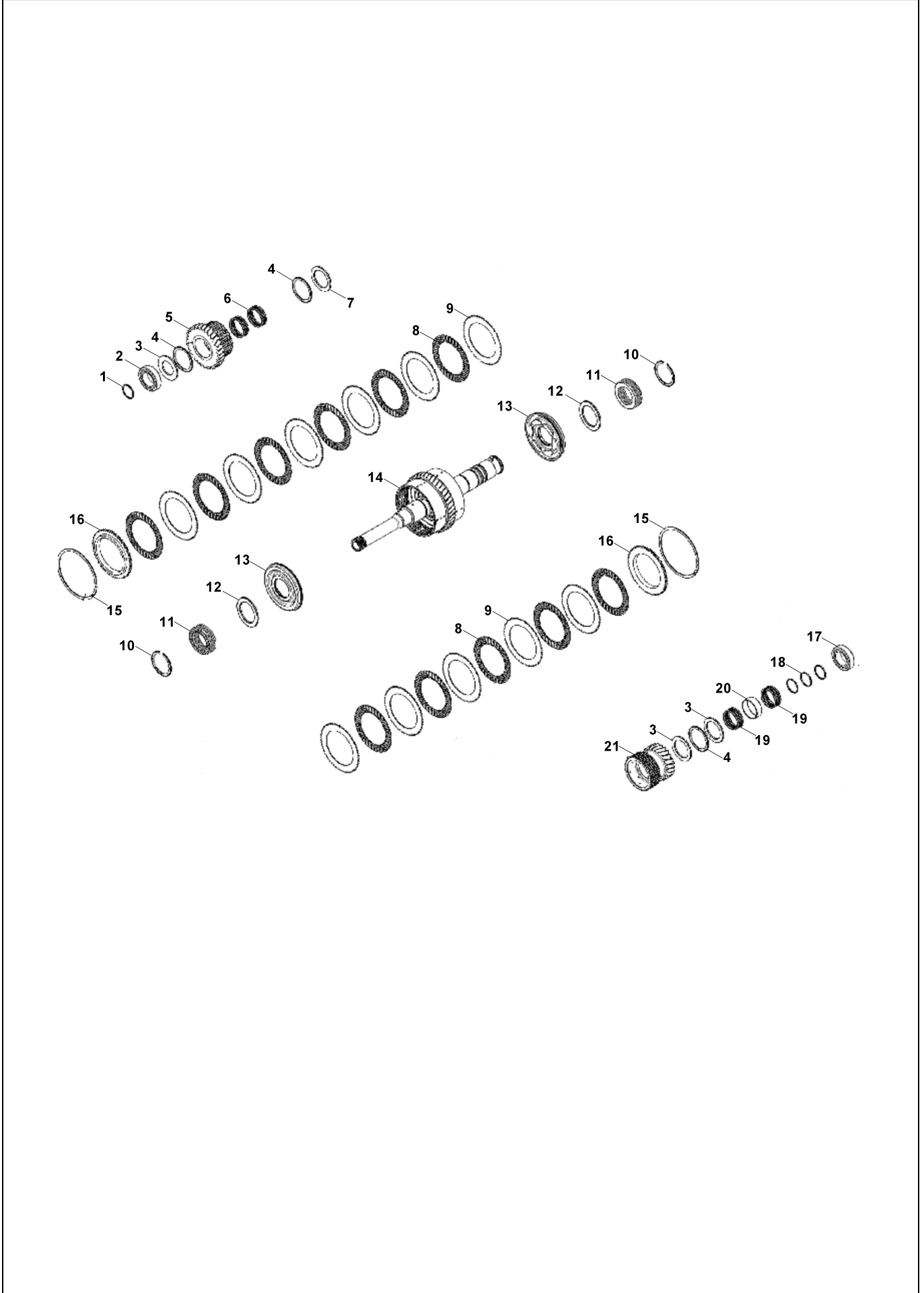
**ŞANZIMAN, KAVRAMA GRUBU, AVARE DİŞLİ
TRANSMISSION, SHAFT GROUP IDLER**



**ŞANZIMAN, KAVRAMA GRUBU, AVARE DİŞLİ
TRANSMISSION, SHAFT GROUP IDLER**

No	Parça No	Parça Adı	Description	Adet	S.K.	Bas.S.N	Bit.S.N	Y.K.	Not
No	Part no			Qty	SC	S/N from	S/N to	ICA	Note
0	F0340139	KAVRAMA, AVARA	SHAFT Gp - IDLER	1					
1	F0340118	RULMAN	BEARING CONE	2					
1	F0340119	RULMAN	BEARING CUP	2					
2	F0340160	ŞAFT KOMPLESİ	SHAFT - ASS' Y.- RESERVE	1					
3	F0340161	KAVRAMA DİSKİ	DISC - CLUTCH	1					
4	F0340133	YAY	SPRING	1					
5	F0340135	SEGMAN	RING - RETAINING	1					
6	F0340134	TUTUCU	RETAINER - SPRING	1					
7	F0340143	SEGMAN	RING - RETAINING	1					
8	F0340127	SAC	PLATE- END	2					
9	F0340144	KAVRAMA BALATASI	DISC - FRICTION	5					
10	F0340129	KAVRAMA DİSKİ	DISC - CLUTCH	5					
11	F0340140	BİLEZİK	RING - SEAL	2					
12	F0340169	PUL	WASHER - THRUST	1					
13	F0340170	RULMAN	BEARING - SPL	2					
14	F0340171	DİŞLİ	GEAR	1					
15	F0340172	RULMAN	BEARING - NEEDLE	2					
16	F0340173	ARA PARÇA	SPACER	1					
17	F0340174	PUL	WASHER - THRUST	1					

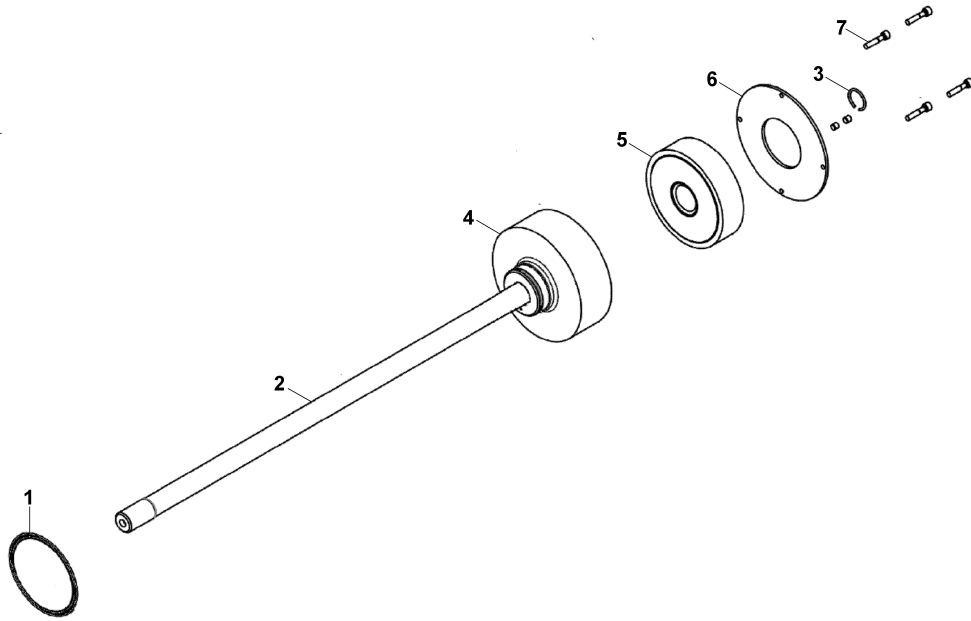
ŞANZIMAN, KAVRAMA GRUBU, GİRİŞ (LUCK-UP)
TRANSMISSION, SHAFT GROUP INPUT (LUCK-UP)



ŞANZIMAN, KAVRAMA GRUBU, GİRİŞ (LUCK-UP)
TRANSMISSION, SHAFT GROUP INPUT (LUCK-UP)

No	Parça No	Parça Adı	Description	Adet	S.K.	Bas.S.N	Bit.S.N	Y.K.	Not
No	Part no			Qty	SC	S/N from	S/N to	ICA	Note
0	F0340009	KAVRAMA, GİRİŞ	SHAFT Gp - INPUT	1					
1	F0340175	BİLEZİK	RING - SEAL	1					
2	F0340118	RULMAN	BEARING CONE	2					
2	F0340119	RULMAN	BEARING CUP	2					
3	F0340169	PUL	WASHER - THRUST	1					
4	F0340170	RULMAN	BEARING - SPL	4					
5	F0340176	DİŞLİ	GEAR	1					
6	F0340177	RULMAN	BEARING - CAGED	2					
7	F0340174	PUL	WASHER - THRUST	3					
8	F0340144	KAVRAMA BALATASI	DISC - FRICTION	11					
9	F0340129	KAVRAMA DİSKİ	DISC - CLUTCH	11					
10	F0340135	SEGMAN	RING - RETAINING	3					
11	F0340133	YAY	SPRING	2					
12	F0340134	TUTUCU	RETAINER - SPRING	2					
13	F0340161	KAVRAMA DİSKİ	DISC - CLUTCH	2					
14	F0340178	ŞAFT KOMPL.	SHAFT ASS'Y- INPUT	1					
15	F0340143	SEGMAN	RING - RETAINING	2					
16	F0340127	SAC	PLATE- END	2					
17	F0340179	RULMAN	BEARING CONE	1					
17	F0340180	RULMAN	BEARING CUP	1					
18	F0340181	BİLEZİK	RING - SEAL	5					
19	F0340172	RULMAN	BEARING - NEEDLE	2					
20	F0340173	ARA PARÇA	SPACER	1					
21	F0340171	DİŞLİ	GEAR	1					

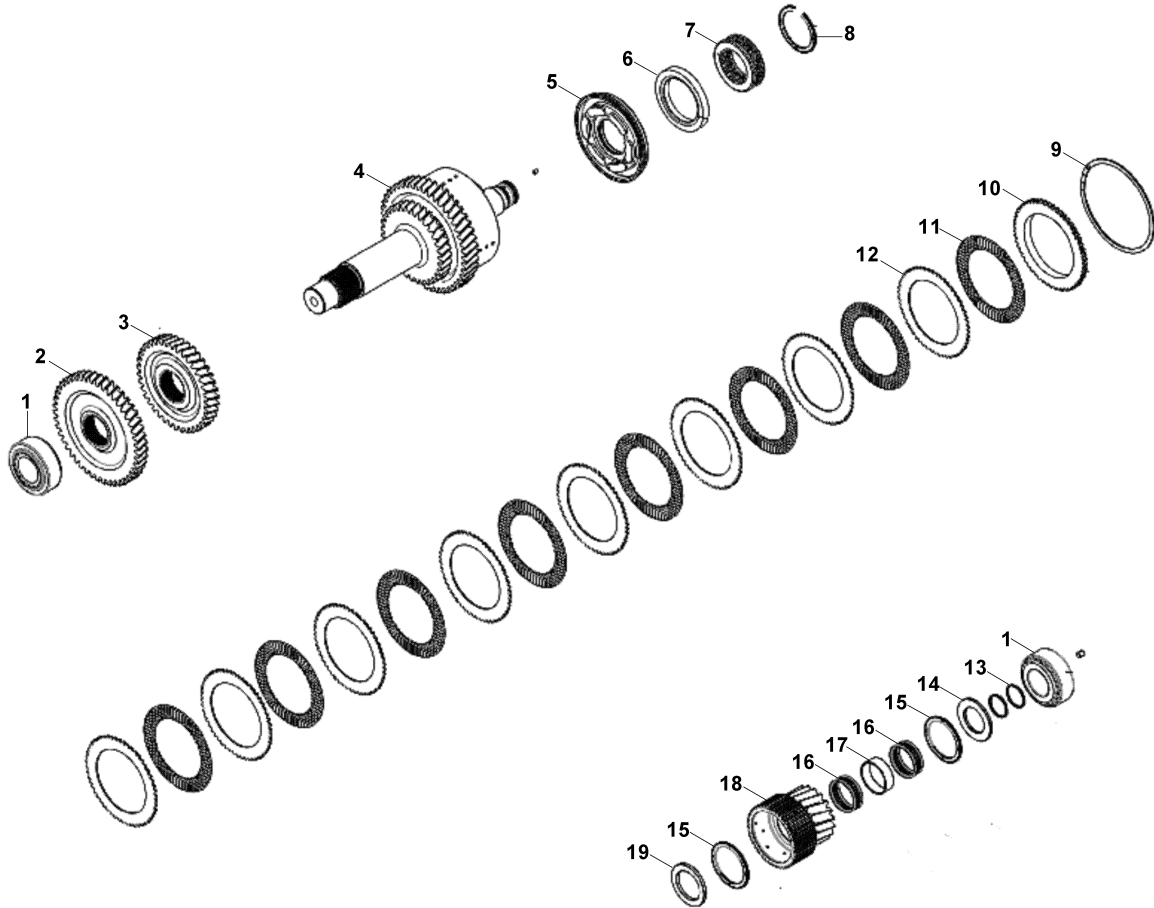
ŞANZIMAN, ŞAFT GRUBU, PTO (LUCK-UP)
TRANSMISSION, SHAFT GROUP PTO (LUCK-UP)



ŞANZIMAN, ŞAFT GRUBU, PTO (LUCK-UP)
TRANSMISSION, SHAFT GROUP PTO (LUCK-UP)

No	Parça No	Parça Adı	Adet	S.K.	Bas.S.N	Bit.S.N	Y.K.	Not
No	Part no	Description	Qty	SC	S/N from	S/N to	ICA	Note
1	F0340181	BİLEZİK	1					
2	F0310183	ŞAFT	1					
3	F0310184	SEGMAN	1					
4	F0310185	ADAPTÖR	1					
5	F0310186	GÖBEK, ADAPTÖR	1					
6	F0310187	SAC	1					
7	F0310188	CIVATA	4					

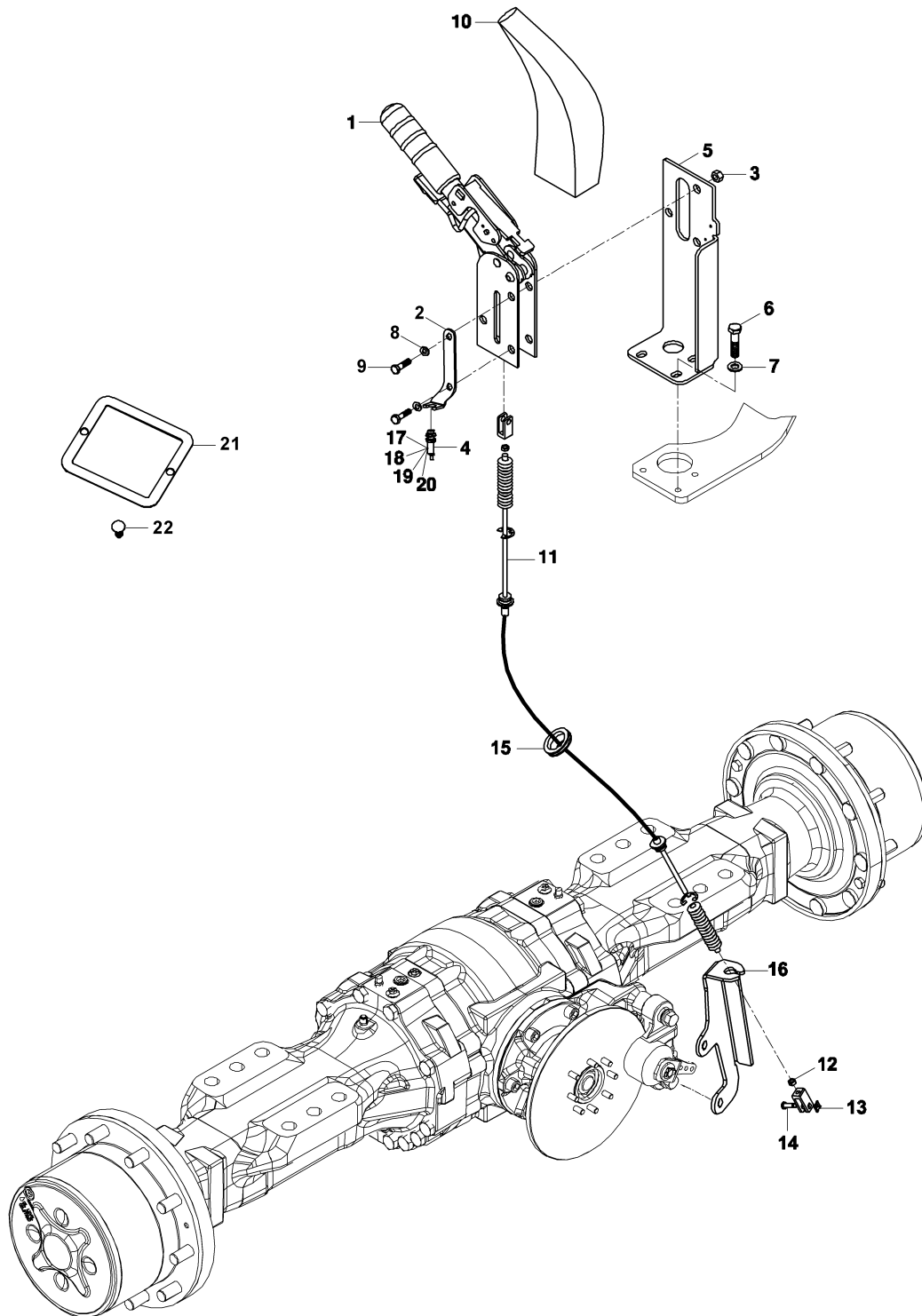
ŞANZIMAN, KAVRAMA GRUBU, GERİ (LUCK-UP)
TRANSMISSION, SHAFT GROUP COUNTER (LUCK-UP)



**ŞANZIMAN, KAVRAMA GRUBU, GERİ (LUCK-UP)
TRANSMISSION, SHAFT GROUP COUNTER (LUCK-UP)**

No	Parça No	Parça Adı	Adet	S.K.	Bas.S.N	Bit.S.N	Y.K.	Not
No	Part no	Description	Qty	SC	S/N from	S/N to	ICA	Note
0	F0340237	KAVRAMA, GERİ						
1	F0340153	RULMAN	2					
1	F0340152	RULMAN	2					
2	F0310189	DİŞLİ	1					
3	F0310190	DİŞLİ	1					
4	F0310191	ŞAFT KOMPLE	1					
5	F0340161	KAVRAMA DİSKİ	1					
6	F0340134	TUTUCU	1					
7	F0340133	YAY	1					
8	F0340135	SEGMAN	1					
9	F0340143	SEGMAN	1					
10	F0340127	SAC	1					
11	F0340144	KAVRAMA BALATASI	8					
12	F0340129	KAVRAMA DİSKİ	8					
13	F0340140	BİLEZİK	2					
14	F0340121	PUL	1					
15	F0340120	RULMAN	2					
16	F0340123	RULMAN	2					
17	F0310192	ARA PARÇA	1					
18	F0310193	DİŞLİ	1					
19	F0340125	PUL	1					

PARK FRENI PARKING BRAKE



PARK FRENİ
PARKING BRAKE

No	Parça No	Parça Adı	Adet	S.K.	Bas.S.N	Bit.S.N	Y.K.	Not
No	Part no	Description	Qty	SC	S/N from	S/N to	ICA	Note
1	F3092310	EL FRENİ	1					
2	02019042	BRAKET	1					
3	N025910086	SOMUN	2					
4	55400034	SENSÖR, KONUM	1					
5	02019066	BRAKET	1					
6	N015890458	CIVATA	3					M8x20
7	N030810014	PUL	3					M8
8	N030810015	PUL	2					M10
9	N010232534	CIVATA	2					M10x50
10	81030051	KÖRÜK	1					
11	F3013040	TEL, EL FRENİ	1					
12	N025910050	SOMUN	1					
13	N030100013	PUL	1					
14	F3013101	CIVATA	1					
15	81040021	GROMET	1					
16	02019079	BRAKET, EL FRENİ TELİ	1					
17	50607000	KONNEKTÖR	1					
18	50903000	TERMINAL	3					
19	52919000	CONTA	3					
20	54524100	KONDÜİT	0,2					METRE/MET ERS
21	02000286	SAC, KÖRÜK	1					
22	N130165180	DÜBEL	2					

F - HİDROLİK SİSTEM

F - HYDRAULIC SYSTEM

Sayfa No / Page No	Sayfa Adı	Page Name	Revizyon / Revision
F010.02.01	HİDROLİK TANK MONTAJI	HYDRAULIC TANK MOUNTING	
F020.07.01	YÜKLEYİCİ KUMANDA MEKANİZMASI (AÇILIR KEPÇE & LEVYE & TİP B)	LOADER CONTROL MECHANISM(MULTIPURPOSE BUCKET & LEVERS & TYPE B)	
F020.09.01	YÜKLEYİCİ KUMANDA MEKANİZMASI (SABİT KEPÇE & LEVYE & TİP B)	LOADER CONTROL MECHANISM(SHOVEL & LEVERS & TYPE B)	
F020.10.01	ÖN KUMANDA MEKANİZMASI (AÇILIR KEPÇE & JOYSTİCK)(TİP B)	LOADER CONTROL MECHANISM(MULTIPURPOSE BUCKET & JOYSTICK)(TYPE B)	
F020.11.01	YÜKLEYİCİ KUMANDA MEKANİZMASI (SABİT KEPÇE & JOYSTİCK) (TİP B)	BACKHOE CONTROL MECHANISM (SHOVEL & JOYSTICK) (TYPE B)	
F030.06.01	KAZICI KUMANDA VE MEKANİZMASI (PİSTONLU POMPA) (TİP B) (OP)	BACKHOE CONTROL & MECHANISM (PISTON PUMP) (TYPE B) (OP)	
F030.07.01	KAZICI KUMANDA VE MEKANİZMASI (DİŞLİ POMPA) (TİP B) (OP)	BACKHOE CONTROL & MECHANISM (GEAR PUMP) (TYPE B) (OP)	
F040.02.01	İLAVE ATAŞMAN PEDAL MONTAJI (JY) (TYPE B)	ADDITIONAL ATTACHMENT PEDAL MOUNTING (JY) (TYPE B)	
F040.03.01	PEDAL MONTAJI, İLAVE ATAŞMAN (JY) (TİP B)	PEDAL MOUNTING, ADDITIONAL ATTACHMENT (JY) (TYPE B)	
F040.04.01	PEDAL MONTAJI, İLAVE ATAŞMAN (LV)(TİP B)	PEDAL MOUNTING, ADDITIONAL ATTACHMENT (LV)(TYPE B)	
F040.06.01	PEDAL MONTAJI, İLAVE ATAŞMAN (LV)(TİP B)	PEDAL MOUNTING, ADDITIONAL ATTACHMENT (LV)(TYPE B)	
F050.33.01	HİDROLİK TESİSAT, ANA DAĞITIM (PİSTONLU POMPA & TURNER & TİP B)	HYDRAULIC PIPING, MAIN (PISTON PUMP & TURNER & TYPE B)	
F050.34.01	HİDROLİK TESİSAT, ANA DAĞITIM (DİŞLİ POMPA & TURNER) (TİP B)	HYDRAULIC PIPING, MAIN (GEAR PUMP & TURNER) (TYPE B)	
F060.07.01	HİDROLİK TESİSAT, PİLOT (STD ARM & PİSTONLU POMPA) (TİP B) (OP)	HYDRAULIC PIPING, PILOT (STD ARM & PISTON PUMP) (TYPE B) (OP)	
F060.08.01	HİDROLİK TESİSAT, PİLOT (TELESKOPIK ARM & PİSTONLU POMPA) (TİP B) (OP)	HYDRAULIC PIPING, PILOT (TELESCOPIC ARM & PISTON PUMP) (TYPE B) (OP)	
F060.09.01	HİDROLİK TESİSAT, PİLOT (STD ARM & PİSTONLU POMPA & SOL EL) (TİP B) (OP)	HYDRAULIC PIPING, PILOT (STD ARM & PISTON PUMP & LEFT HAND) (TYPE B) (OP)	
F060.10.01	HİDROLİK TESİSAT, PİLOT (TELESKOPIK ARM & PİSTONLU POMPA & SOL EL) (TİP B) (OP)	HYDRAULIC PIPING, PILOT (TELESCOPIC ARM & PISTON PUMP & LEFT HAND) (TYPE B) (OP)	
F060.11.01	HİDROLİK TESİSAT, PİLOT (STD ARM & DİŞLİ POMPA) (TİP B) (OP)	HYDRAULIC PIPING, PILOT (STD ARM & GEAR PUMP) (TYPE B) (OP)	
F060.12.01	HİDROLİK TESİSAT, PİLOT (TELESKOPIK ARM & DİŞLİ POMPA) (TİP B) (OP)	HYDRAULIC PIPING, PILOT (TELESCOPIC ARM & GEAR PUMP) (TYPE B) (OP)	
F060.13.01	HİDROLİK TESİSAT, PİLOT (STD ARM & DİŞLİ POMPA & SOL EL) (TİP B) (OP)	HYDRAULIC PIPING, PILOT (STD ARM & GEAR PUMP & LEFT HAND) (TYPE B) (OP)	
F060.14.01	HİDROLİK TESİSAT, PİLOT (TELESKOPIK ARM & DİŞLİ POMPA & SOL EL) (TİP B) (OP)	HYDRAULIC PIPING, PILOT (TELESCOPIC ARM & GEAR PUMP & LEFT HAND) (TYPE B) (OP)	
F065.01.01	KUMANDA DEĞİŞTİRİCİ (TİP B)	PATTERN SHIFTER (TYPE B)	
F070.05.01	YÜKLEYİCİ HİDROLİK TESİSATI, SABİT KEPÇE (TİP B & DİŞLİ POMPA) (OP)	LOADER HYD. PIPING, SHOVEL (TYPE B & GEAR PUMP) (OP)	
F070.07.01	YÜKLEYİCİ HİDROLİK TESİSATI, AÇILIR KEPÇE (TİP B & DİŞLİ POMPA) (OP)	LOADER HYD. PIPING, MULTIPURPOSE BUCKET (TYPE B & GEAR PUMP) (OP)	
F070.10.01	YÜKLEYİCİ HİDROLİK TESİSATI, MSS (TİP A & TİP B)	LOADER HYDRAULIC PIPING, MSS (TYPE A & TYPE B)	
F070.15.01	YÜKLEYİCİ HİDROLİK TESİSATI, SABİT KEPÇE (TİP B & PİSTONLU POMPA) (OP)	LOADER HYD. PIPING, SHOVEL (TYPE B & PISTON PUMP) (OP)	

F - HİDROLİK SİSTEM

F - HYDRAULIC SYSTEM

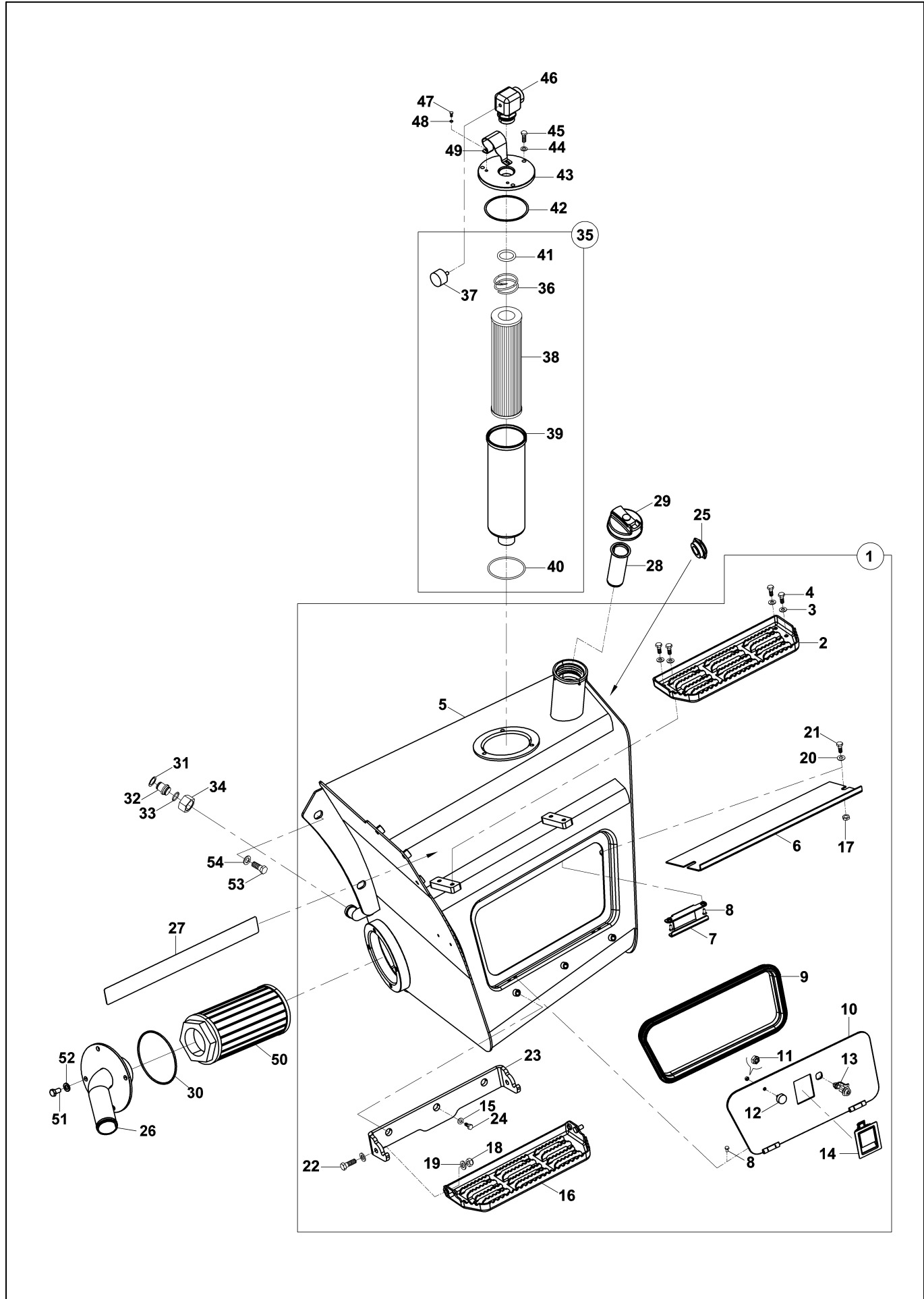
Sayfa No / Page No	Sayfa Adı	Page Name	Revizyon / Revision
F070.16.01	YÜKLEYİCİ HİDROLİK TESİSATI, AÇILIR KEPÇE (TİP B & PİSTONLU POMPA) (OP)	LOADER HYD. PIPING,MULTIPURPOSE BUCKET (TYPE B & PISTON PUMP) (OP)	
F080.00.01	HORTUM TUTUCU SETİ (STD. ARM)	HOSE HOLDER SET (STD. ARM)	
F080.01.01	HORTUM TUTUCU SETİ (TELESKOPIK) (OP)	HOSE HOLDER SET (TELESCOPIC ARM) (OP)	
F080.02.01	HORTUM TUTUCU SETİ (KAZ AYAK)	HOSE HOLDER SET (WING TYPE STABILIZER)	
F080.03.01	HORTUM TUTUCU SETİ (KAZ AYAK)	HOSE HOLDER SET (WING TYPE STABILIZER)	
F090.00.01	HİDROLİK TESİSAT, AYAK SİLİNDİRİ	HYD. PIPING, STABILIZER CYLINDER	
F090.01.01	HİDROLİK TESİSAT, AYAK SİLİNDİRİ (KİLİT VALFLİ) (OP)	HYD. PIPING, STABILIZER CYLINDER (WITH SAFETY LOCKING VALVE) (OP)	
F090.02.01	HİDROLİK TESİSATI, AYAK SİLİNDİRİ (KAZ AYAK)	HYDRAULIC PIPING, RAM, STABILIZER (WING TYPE)	
F090.03.01	HİDROLİK TESİSATI, AYAK SİLİNDİRİ (KAZ AYAK)	HYDRAULIC PIPING, RAM, STABILISER (WING TYPE)	
F090.04.01	HİDROLİK TESİSAT, AYAK SİLİNDİRİ (TİP B)	HYDRAULIC PIPING, STABILIZER CYLINDER (TYPE B)	
F100.01.01	HİDROLİK TESİSATI, SIKMA PİSTONU (TİP B)	HYDRAULIC PIPING, HYDROCLAMP (TYPE B)	
F110.01.01	HİDROLİK TESİSAT, DÖNÜŞ SİLİNDİRİ (KAZ AYAK)	HYD. PIPING, SWING CYLINDER (WING TYPE STABILIZER)	
F110.02.01	HİDROLİK TESİSAT, DÖNÜŞ SİLİNDİRİ (TİP B)	HYDRAULIC PIPING, SWING CYLINDER (TYPE B)	
F120.02.01	KAZICI HİDROLİK TESİSATI, BOM SİLİNDİRİ (KAZ AYAK)	BACKHOE HYDRAULIC PIPING, BOOM CYLINDER (WING TYPE STABILIZER)	
F120.03.01	KAZICI HİDROLİK TESİSATI, BOM SİLİNDİRİ (EMNİYET VALFLİ, KAZ AYAK)	BACKHOE HYD.PIPING,BOOM CYLINDER(WITH SAFETY LOCK VALVE,WING TYPE STABILIZER)	
F120.06.01	KAZICI HİDROLİK TESİSATI, BOM SİLİNDİRİ (TİP B)	BACKHOE HYDRAULIC PIPING, BOOM CYLINDER (TYPE B)	
F130.02.01	KAZICI HİDROLİK TESİSATI, ARM SİLİNDİRİ (KAZ AYAK)	BACKHOE HYDRAULIC PIPING, ARM CYLINDER (WING TYPE STABILIZER)	
F130.06.01	KAZICI HİDROLİK TESİSATI, ARM SİLİNDİRİ (TİP B)	BACKHOE HYDRAULIC SYSTEM, ARM CYLINDER (TYPE B)	
F140.02.01	KAZICI HİDROLİK TESİSATI, KEPÇE SİLİNDİRİ (TELESKOPIK) (TİP B)	BACKHOE HYDRAULIC PIPING, BUCKET CYLINDER (TELESCOPIC) (TYPE B)	
F140.03.01	KAZICI HİDROLİK TESİSATI, KEPÇE SİLİNDİRİ (KAZ AYAK & TİP B)	HYD. PIPING, BUCKET CYLINDER (WING TYPE STABILIZER & TYPE B) (OP)	
F140.04.01	KAZICI HİDROLİK TESİSATI, KEPÇE SİLİNDİRİ (KAZ AYAK, TELESKOPIK BOM) (TİP B)	BACKHOE HYD.PIPING,BUCKET CYLINDER(WING TYPE STABILIZER, TELESCOP.BOOM)(TYPE B)	
F140.06.01	KAZICI HİDROLİK TESİSATI, KEPÇE SİLİNDİRİ (TİP B)	BACKHOE HYDRAULIC PIPING, BUCKET CYLINDER (TYPE B)	
F150.03.01	TEK ETKİLİ HİDROLİK TESİSATI (KIRICI & STD.ARM) (TİP B)	SINGLE ACTING HYDRAULIC PIPING (BREAKER & STD.ARM) (TYPE B)	
F150.04.01	TEK ETKİLİ HİDROLİK TESİSATI (KIRICI & STD. ARM & LEVYE & KAZAYAK) (TİP B) (OP)	SINGLE ACTING HYD. PIPING(BREAKER & STD. ARM & LEVERS & WING TYPE)(TYPE B)(OP)	
F150.05.01	TEK ETKİLİ HİDROLİK TESİSATI (KIRICI & STD.ARM & JY) (TİP B)	SINGLE ACTING HYDRAULIC PIPING (BREAKER & STD.ARM & JY) (TYPE B)	
F150.06.01	TEK ETKİLİ HİDROLİK TESİSATI (KIRICI & STD. ARM & JY & KAZAYAK) (TİP B) (OP)	SINGLE ACTING HYD. PIPING(BREAKER & STD. ARM & JY & WING TYPE)(TYPE B)(OP)	
F150.07.01	TEK ETKİLİ HİDROLİK TESİSATI (KIRICI & STD. ARM & JY & MAFSALLI BOM) (TİP B)	SINGLE ACTING HYD. PIPING (BREAKER & STD.ARM & JY & ARTICULATED BOOM)(TYPE B)	

F - HİDROLİK SİSTEM

F - HYDRAULIC SYSTEM

Sayfa No / Page No	Sayfa Adı	Page Name	Revizyon / Revision
F150.08.01	TEK ETKİLİ HİDROLİK TESİSATI (KIRICI & TELESKOPIK) (TİP B) (OP)	SINGLE ACTING HYDRAULIC PIPING (BREAKER & TELESCOPIC) (TYPE B) (OP)	
F150.09.01	TEK ETKİLİ HİDROLİK TESİSATI (KIRICI & TELESKOPIK & KAZAYAK) (TİP B)	SINGLE ACTING HYDRAULIC PIPING (BREAKER & TELESCOPIC & WING TYPE) (TYPE B)	
F160.04.01	ÇİFT ETKİLİ HİD.TESİSATI,BURGU/DÖNER KEPÇE & KIRICI(STD.ARM,LEVYE)(TİP B)(OP)	DOUBLE ACTING HYD.PIPING, AUGER/TILTING BUCKET & BREAKER(STD.ARM,LEVERS)(TYPE B)	
F160.05.01	ÇİFT ETKİLİ HİDR.TESİSATI(BURGU/DÖNER KEPÇE&KIRICI&TELESKOPIK ARM&LV&TİP B)	DOUBLE ACTING HYD.PIPING(AUGER/TILTING BUCKET&BREAKER&TEL.ARM&LEVERS&TYPE B)	
F160.07.01	ÇİFT ETKİLİ HİDR.TESİSATI,BURGU/DÖNER KEPÇE&KIRICI(TEL.ARM&JOYSTİK&TİP B)	DOUBLE ACTING HYD.PIPING, AUGER/TILTING BUCKET&BREAKER(TELESCOPIC ARM&JY&TYPE B)	
F180.00.01	HİDROLİK, EL KIRICISI (OP)	HYDRAULIC, HAND BREAKER (OP)	
F190.02.01	HİDROLİK TESİSAT, DİFERANSİYEL KİLİDİ	HYDRAULIC PIPING, DIFFERENTIAL LOCK	
F210.01.01	TABLA KAYDIRMA HİDROLİĞİ (OP)	POWER SLIDER HYDRAULIC (OP)	

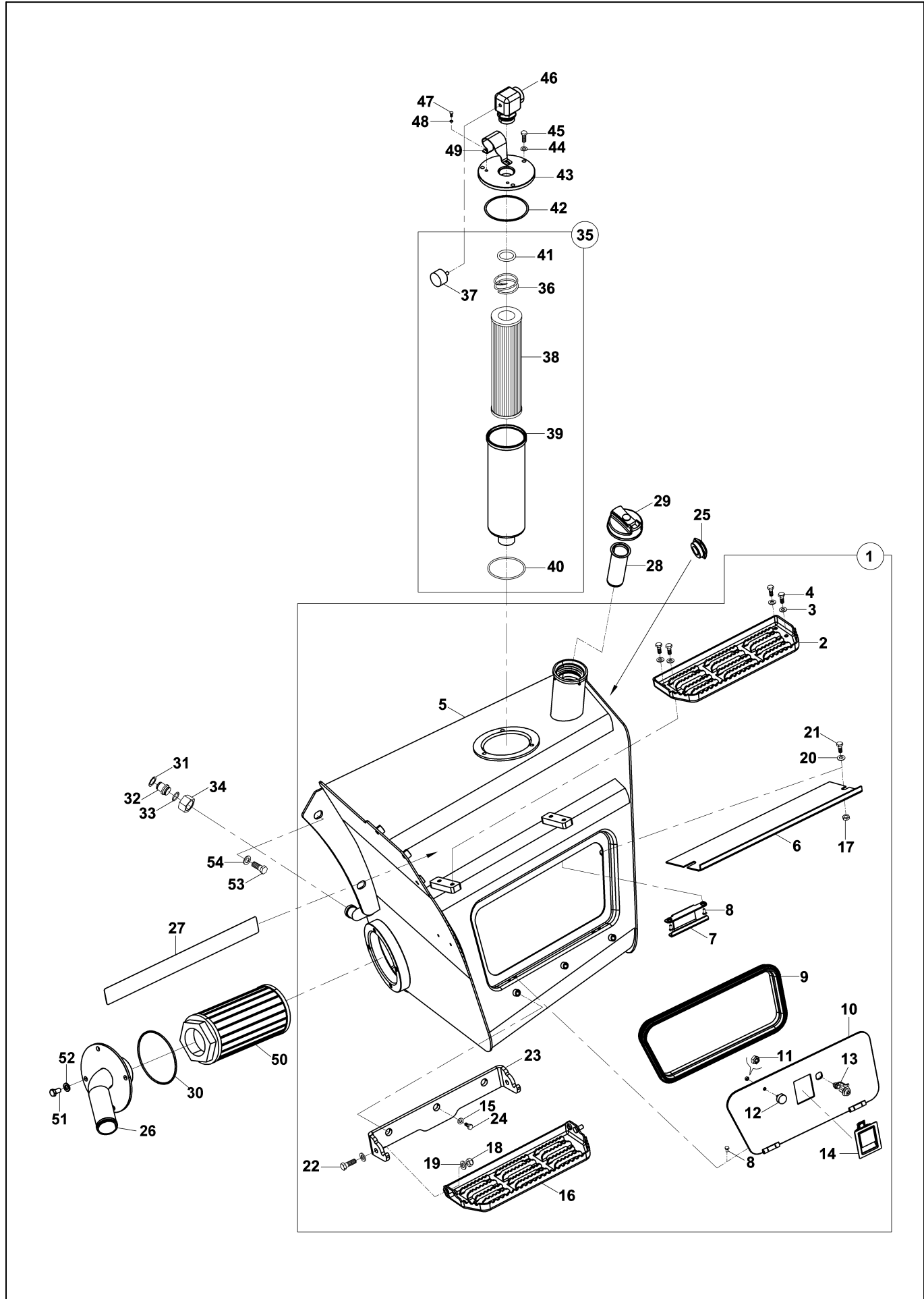
HİDROLİK TANK MONTAJI HYDRAULIC TANK MOUNTING



HİDROLİK TANK MONTAJI HYDRAULIC TANK MOUNTING

No	Parça No	Parça Adı	Adet	S.K.	Bas.S.N	Bit.S.N	Y.K.	Not
No	Part no	Description	Qty	SC	S/N from	S/N to	ICA	Note
1	01825555	HİDROLİK TANK KOMPLESİ	1					
2	02010535	BASAMAK	1					
3	N030312205	PUL	4					
4	N010232114	CIVATA	4					M8x20
5	01922549	HİDROLİK TANK K.K.	1					
6	02014022	SAC	1					
7	01991012	KİLİT KARŞILIĞI	1					
8	N015890290	CIVATA	6					M6x12
9	81600621	FİTİL	1					
10	01991011	KAPAK, MENTEŞELİ	1					
11	N025910050	SOMUN	1					M12
12	81040057	TAHDİT TAKOZU	1					
13	F9960017	KİLİT	1					
14	F9950150	KİLİT, KAPAK	1					
15	N030560004	YAYLI RONDELA	3					M12
16	01910109	BASAMAK	1					
17	N025910062	SOMUN	2					M8
18	N025910122	SOMUN	2					M12
19	N030100023	PUL	4					M12
20	N030810017	PUL	6					M8
21	N010232114	CIVATA	2					M8x20
22	N015890842	CIVATA	2					M12x35
23	02010518	BRAKET	1					
24	N010232798	CIVATA	3					M12x20
25	F9914030	SEVIYE GÖSTERGESİ, YAĞ	1					
26	01991091	BORU K.K., POMPA EMİŞ	1					
27	F9906915	KUMLU KAĞIT	1					
28	F2835500	SÜZGEÇ, YAKIT	1					
29	F9915022	TANK KAPAĞI	1					
30	N102013335	O-RİNG	1					
31	N050020035	SEGMAN	1					
32	81405230	KÖR TAPA	1					M30x2
33	N102001923	O-RİNG	1					
34	N173570276	SOMUN	1					
35	F2850900	FİLTRE KOMPLESİ, DÖNÜŞ	1					
36	F2851003	YAY	1					
37	F2850011	GÖSTERGE, KİRLİLİK	1					
38	F2851001	FİLTRE, DÖNÜŞ	1					
39	F2851002	GÖVDE, FİLTRE	1					
40	F2851004	O-RİNG	1					
41	F2851005	O-RİNG	1					
42	N102009936	O-RİNG	1					
43	81704156	KAPAK SACI, FİLTRE	1					
44	N030810015	PUL	3					M10
45	N010232462	CIVATA	3					M10x25
46	N163490276	DİRSEK	1					
47	N010231442	CIVATA	2					M6x10

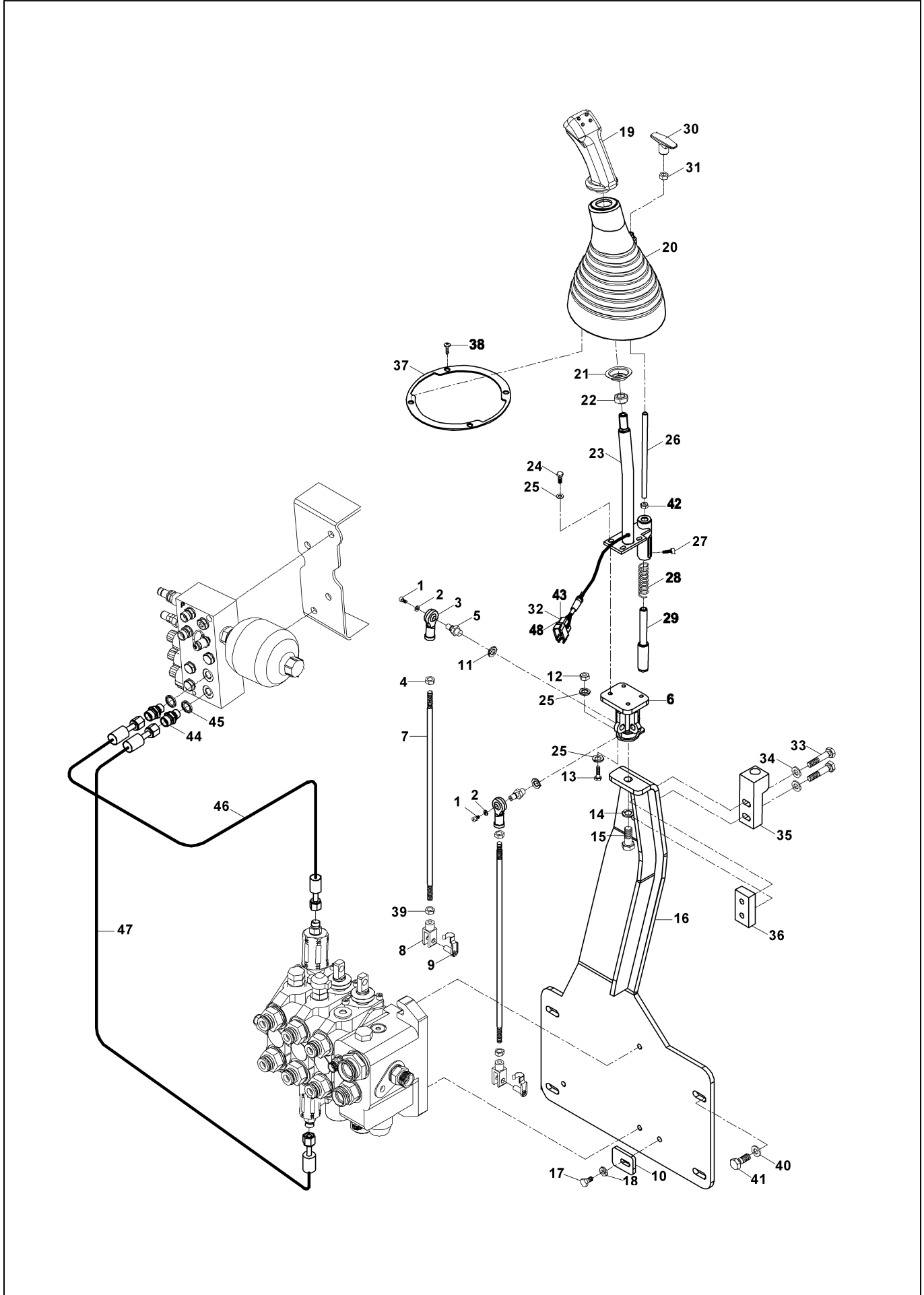
HİDROLİK TANK MONTAJI HYDRAULIC TANK MOUNTING



HİDROLİK TANK MONTAJI
HYDRAULIC TANK MOUNTING

No	Parça No	Parça Adı	Adet	S.K.	Bas.S.N	Bit.S.N	Y.K.	Not
No	Part no	Description	Qty	SC	S/N from	S/N to	ICA	Note
48	N030020004	PUL	2					M6x10
49	02012863	MUHAFAZA SACI	1					
50	F2834000	SÜZGEÇ, EMİŞ	1					
51	N010232438	CIVATA	4					M10x20
52	N030810015	PUL	4					M10
53	N010233530	CIVATA	4					M16x25
54	N030810002	PUL	4					M16

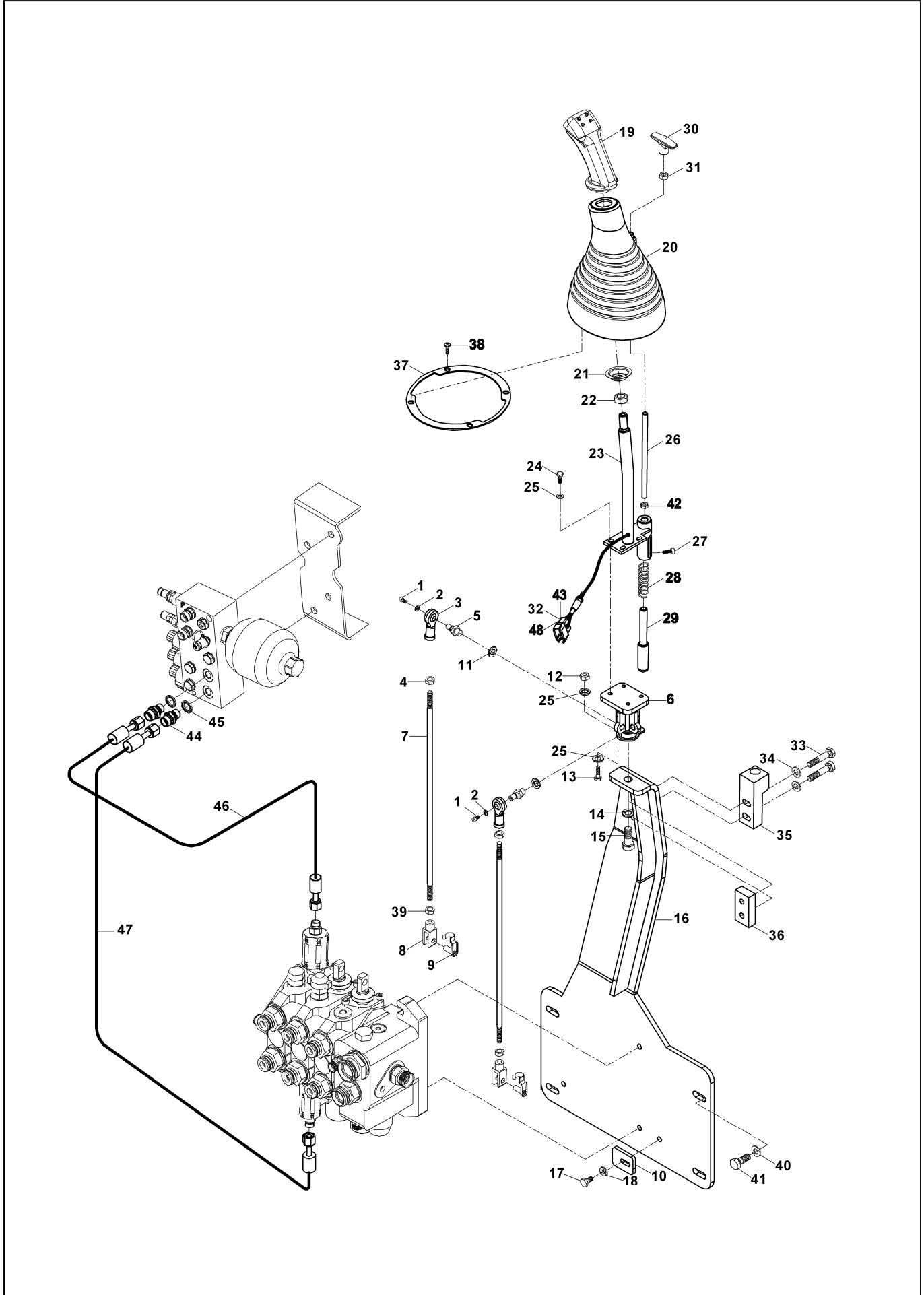
YÜKLEYİCİ KUMANDA MEKANİZMASI (AÇILIR KEPÇE & LEVYE & TİP B)
LOADER CONTROL MECHANISM(MULTIPURPOSE BUCKET & LEVERS & TYPE B)



**YÜKLEYİCİ KUMANDA MEKANİZMASI (AÇILIR KEPÇE & LEVYE & TİP B)
LOADER CONTROL MECHANISM(MULTIPURPOSE BUCKET & LEVERS & TYPE B)**

No	Parça No	Parça Adı	Adet	S.K.	Bas.S.N	Bit.S.N	Y.K.	Not
No	Part no	Description	Qty	SC	S/N from	S/N to	ICA	Note
1	N015890014	CIVATA	2					M4x8
2	N030001850	PUL	2					
3	F9960040	KÜRESEL MAFSAL	2					
4	N023580182	SOMUN	2					M8
5	81300150	PİM	2					
6	01929299	MAFSAL K.K.	1					
7	02021591	KUMANDA ÇUBUĞU	2					
8	F9960051	ÇATAL	2					
9	F9960056	PİM	2					
10	02003005	SAC	1					
11	N030810015	PUL	2					M10
12	N025910050	SOMUN	1					M6
13	N010231514	CIVATA	1					M6x20
14	N030810001	PUL	1					
15	N010232846	CIVATA	1					M12x30
16	01929237	BRAKET K.K.	1					
17	N010232438	CIVATA	1					M10x20
18	N030020121	PUL	1					
19	F1822734	TOPUZ KOMPLESİ, YÜKLEYİCİ KUMANDA	1					
20	81028590	KÖRÜK	1					
21	02012129	SAC, KÖRÜK	1					
22	N023570302	SOMUN	1					
23	01991350	LEVYE, YÜKLEYİCİ KUMANDA	1					
24	N010231478	CIVATA	4					M6x16
25	N030100013	PUL	6					M6
26	02021442	ÇUBUK	1					
27	N015890170	CIVATA	1					M5x16
28	80706710	YAY	1					
29	81014425	PİM	1					
30	81014483	TOPUZ	1					
31	N023580158	SOMUN	1					M8
32	50633202	KONNEKTÖR	1					
33	N010380626	CIVATA	2					M10x35
34	N030020121	PUL	2					M10x35
35	02021411	KİLİT KARŞILIĞI	1					
36	02020809	SAC	1					
37	02002510	SAC, KÖRÜK	1					
38	N130165180	DÜBEL	4					
39	N023580206	SOMUN	2					
40	N030020121	PUL	2					
41	N010232462	CIVATA	2					M10x25
42	N023580182	SOMUN	1					M8
43	50633203	KONNEKTÖR KİLİDİ	1					
44	N163430814	NİPEL	2					
45	N030000004	O-RİNGLİ PUL	2					
46	6370021110	HORTUM KOMPLESİ	1					

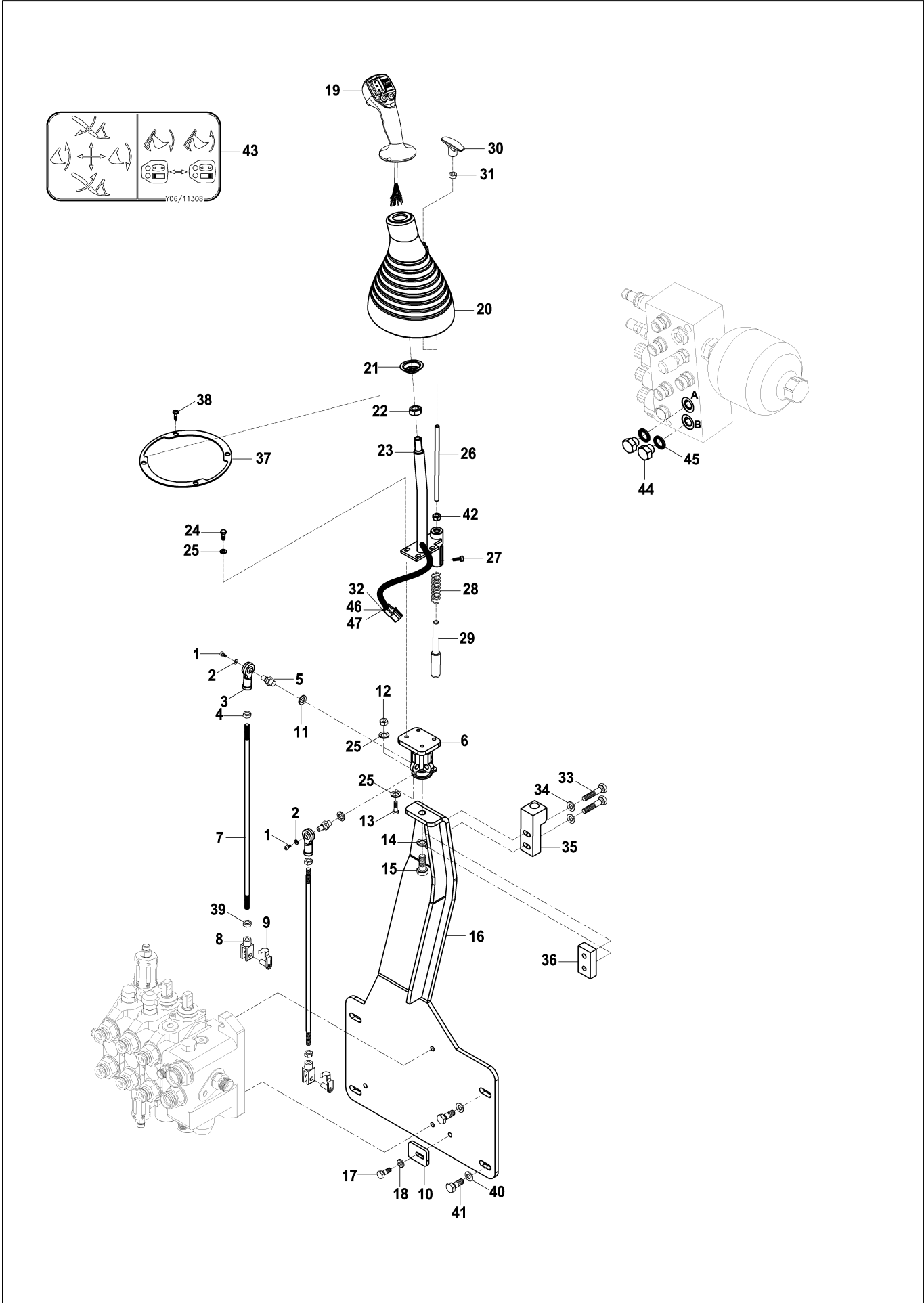
YÜKLEYİCİ KUMANDA MEKANİZMASI (AÇILIR KEPÇE & LEVYE & TİP B)
LOADER CONTROL MECHANISM(MULTIPURPOSE BUCKET & LEVERS & TYPE B)



**YÜKLEYİCİ KUMANDA MEKANİZMASI (AÇILIR KEPÇE & LEVYE & TİP B)
LOADER CONTROL MECHANISM(MULTIPURPOSE BUCKET & LEVERS & TYPE B)**

No	Parça No	Parça Adı	Adet	S.K.	Bas.S.N	Bit.S.N	Y.K.	Not
No	Part no	Description	Qty	SC	S/N from	S/N to	ICA	Note
47	6370021115	HORTUM KOMPLESİ	1					

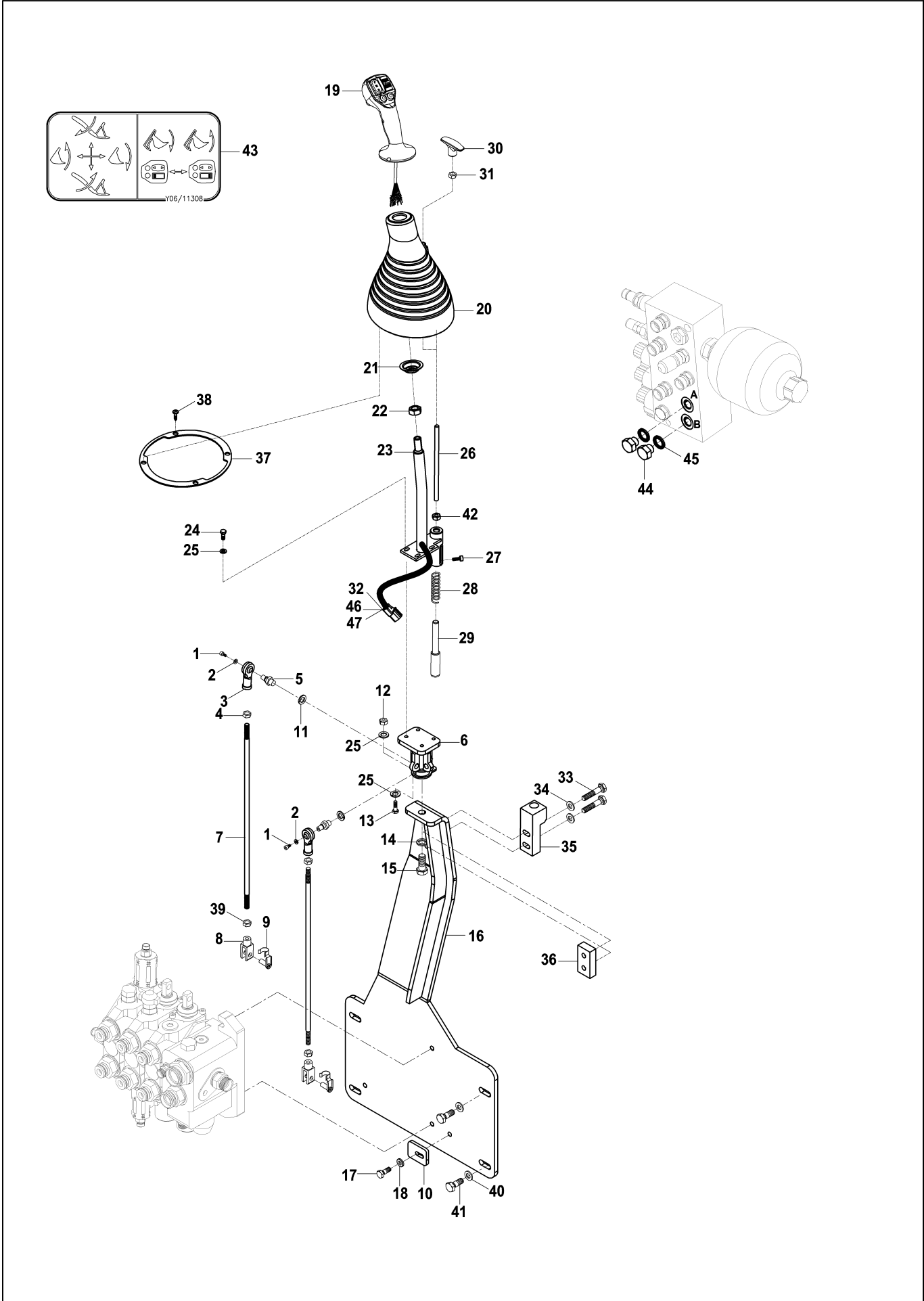
**YÜKLEYİCİ KUMANDA MEKANİZMASI (SABİT KEPÇE & LEVYE & TİP B)
 LOADER CONTROL MECHANISM(SHOVEL & LEVERS & TYPE B)**



**YÜKLEYİCİ KUMANDA MEKANİZMASI (SABİT KEPÇE & LEVYE & TİP B)
LOADER CONTROL MECHANISM(SHOVEL & LEVERS & TYPE B)**

No	Parça No	Parça Adı	Adet	S.K.	Bas.S.N	Bit.S.N	Y.K.	Not
No	Part no	Description	Qty	SC	S/N from	S/N to	ICA	Note
1	N015890014	CIVATA	2					M4x8
2	N030001850	PUL	2					
3	F9960040	KÜRESEL MAFSAL	2					
4	N023580182	SOMUN	2					M8
5	81300150	PİM	2					
6	01929299	MAFSAL K.K.	1					
7	02021591	KUMANDA ÇUBUĞU	2					
8	F9960051	ÇATAL	2					
9	F9960056	PİM	2					
10	02003005	SAC	1					
11	N030810015	PUL	2					M10
12	N025910050	SOMUN	1					M6
13	N010231514	CIVATA	1					M6x20
14	N030810001	PUL	1					
15	N010232846	CIVATA	1					M12x30
16	01929237	BRACKET K.K.	1					
17	N010232438	CIVATA	1					M10x20
18	N030020121	PUL	1					
19	F1822734	TOPUZ KOMPLESİ, YÜKLEYİCİ KUMANDA	1					
20	81028590	KÖRÜK	1					
21	02012129	SAC, KÖRÜK	1					
22	N023570302	SOMUN	1					
23	01991350	LEVYE, YÜKLEYİCİ KUMANDA	1					
24	N010231478	CIVATA	4					M6x16
25	N030100013	PUL	6					M6
26	02021442	ÇUBUK	1					
27	N015890170	CIVATA	1					M5x16
28	80706710	YAY	1					
29	81014425	PİM	1					
30	81014483	TOPUZ	1					
31	N023580158	SOMUN	1					M8
32	50633202	KONNEKTÖR	1					
33	N010232498	CIVATA	2					M10x35
34	N030020121	PUL	2					M10x35
35	02021411	KİLİT KARŞILIĞI	1					
36	02020809	SAC	1					
37	02002510	SAC, KÖRÜK	1					
38	N130165180	DÜBEL	4					
39	N023580206	SOMUN	2					
40	N030020121	PUL	2					
41	N010232462	CIVATA	2					M10x25
42	N023580182	SOMUN	1					M8
43	Y0611308	ETİKET, ÖN KUMANDA LEVYE FONKSİYONLARI	1					
44	81404060	TAPA	2					
45	N030000004	O-RİNGLİ PUL	2					

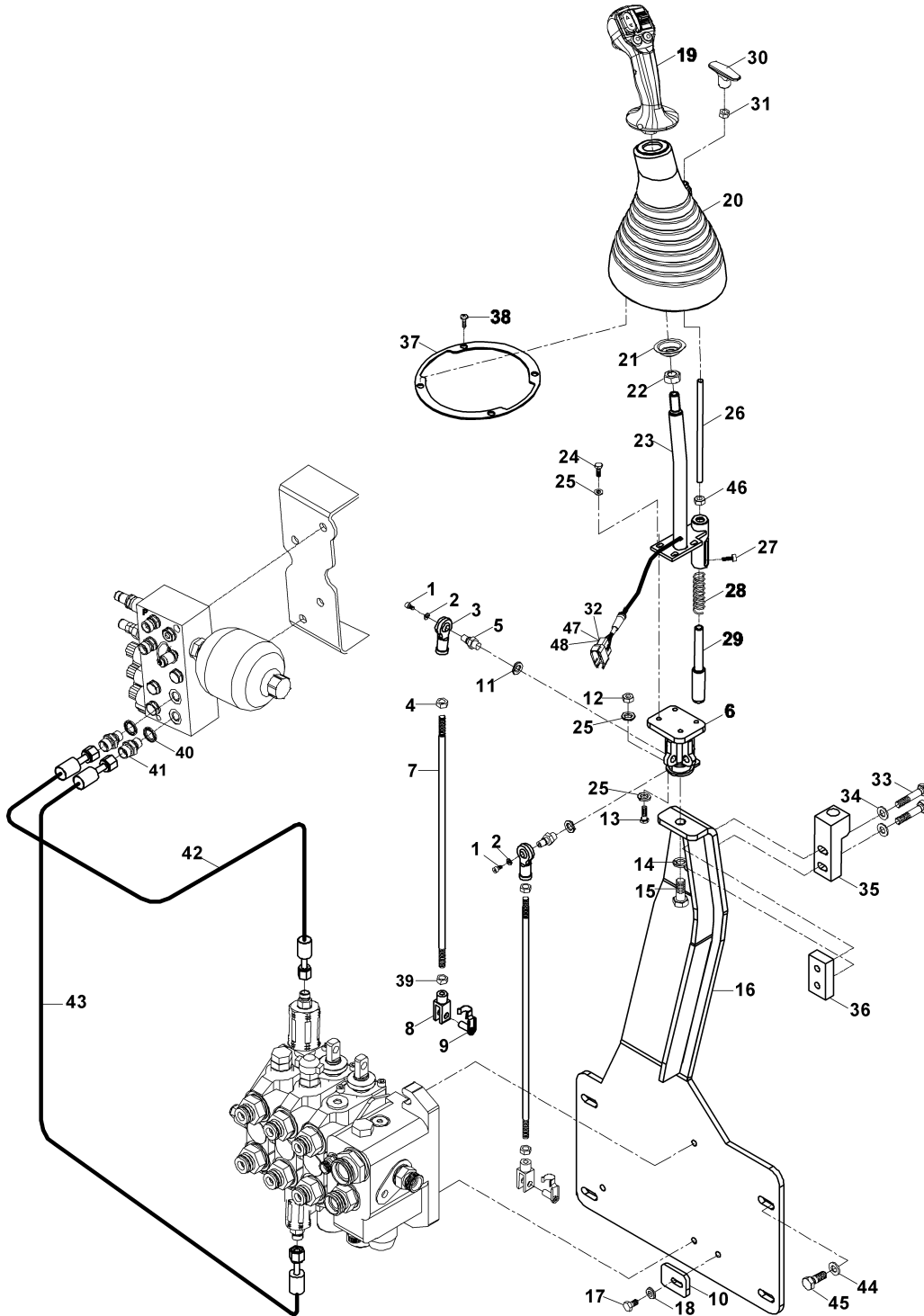
**YÜKLEYİCİ KUMANDA MEKANİZMASI (SABİT KEPÇE & LEVYE & TİP B)
 LOADER CONTROL MECHANISM(SHOVEL & LEVERS & TYPE B)**



**YÜKLEYİCİ KUMANDA MEKANİZMASI (SABİT KEPÇE & LEVYE & TİP B)
LOADER CONTROL MECHANISM(SHOVEL & LEVERS & TYPE B)**

No	Parça No	Parça Adı	Adet	S.K.	Bas.S.N	Bit.S.N	Y.K.	Not
No	Part no	Description	Qty	SC	S/N from	S/N to	ICA	Note
46	50633203	KONNEKTÖR KİLİDİ	1					
47	50633204	TAPA	1					

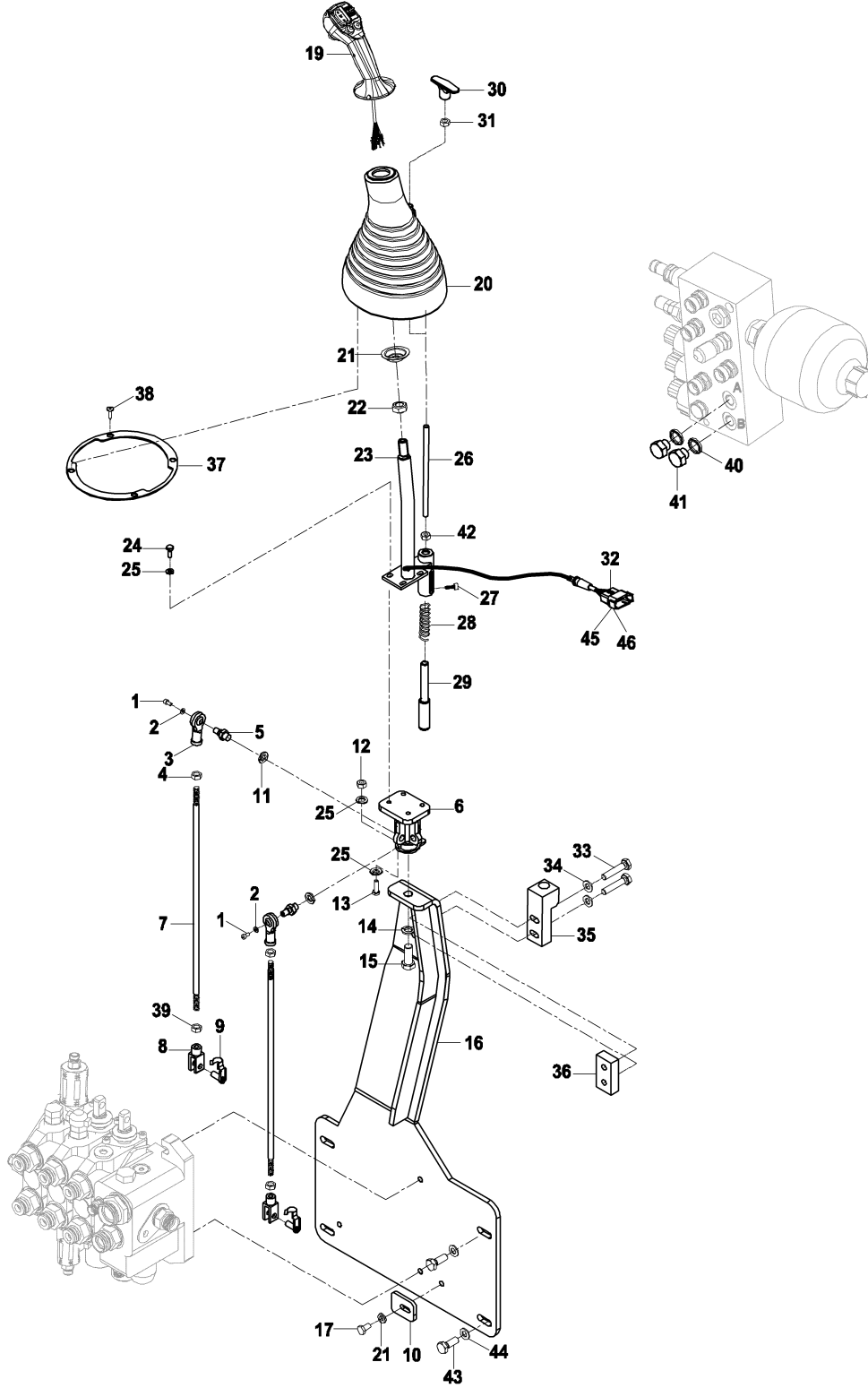
ÖN KUMANDA MEKANİZMASI (AÇILIR KEPÇE & JOYSTİCK)(TİP B)
LOADER CONTROL MECHANISM(MULTIPURPOSE BUCKET & JOYSTİCK)(TYPE B)



**ÖN KUMANDA MEKANİZMASI (AÇILIR KEPÇE & JOYSTICK)(TİP B)
LOADER CONTROL MECHANISM(MULTIPURPOSE BUCKET & JOYSTICK)(TYPE B)**

No	Parça No	Parça Adı	Adet	S.K.	Bas.S.N	Bit.S.N	Y.K.	Not
No	Part no	Description	Qty	SC	S/N from	S/N to	ICA	Note
1	N015890014	CIVATA	2					M4x8
2	N030001850	PUL	2					
3	F9960040	KÜRESEL MAFSAL	2					
4	N023580182	SOMUN	2					M8
5	81300150	PİM	2					
6	01929299	MAFSAL K.K.	1					
7	02021591	KUMANDA ÇUBUĞU	2					
8	F9960051	ÇATAL	2					
9	F9960056	PİM	2					
10	02003005	SAC	1					
11	N030810015	PUL	2					M10
12	N025910050	SOMUN	1					M6
13	N010231514	CIVATA	1					M6x20
14	N030810001	PUL	1					
15	N010232846	CIVATA	1					M12x30
16	01929237	BRAKET K.K.	1					
17	N010232438	CIVATA	1					
18	N030020121	PUL	1					
19	F1822734	TOPUZ KOMPLESİ, YÜKLEYİCİ KUMANDA	1					
20	81028590	KÖRÜK	1					
21	02012129	SAC, KÖRÜK	1					
22	N023570302	SOMUN	1					
23	01991350	LEVYE, YÜKLEYİCİ KUMANDA	1					
24	N010231478	CIVATA	4					M6x16
25	N030100013	PUL	6					M6
26	02021442	ÇUBUK	1					
27	N015890170	CIVATA	1					M5x16
28	80706710	YAY	1					
29	81014425	PİM	1					
30	81014483	TOPUZ	1					
31	N023580158	SOMUN	1					M8
32	50633200	KONNEKTÖR	1					
33	N010232498	CIVATA	2					M10x35
34	N030020121	PUL	2					M10
35	02021411	KİLİT KARŞILIĞI	1					
36	02020809	SAC	1					
37	02002510	SAC, KÖRÜK	1					
38	N130165180	DÜBEL	4					
39	N023580206	SOMUN	2					
40	N030000004	O-RİNGLİ PUL	2					
41	N163430814	NİPEL	2					
42	6370021100	HORTUM KOMPLESİ	1					
43	6370021115	HORTUM KOMPLESİ	1					
44	N030020121	PUL	3					M10
45	N010232462	CIVATA	3					M10x25
46	N023580182	SOMUN	1					M8

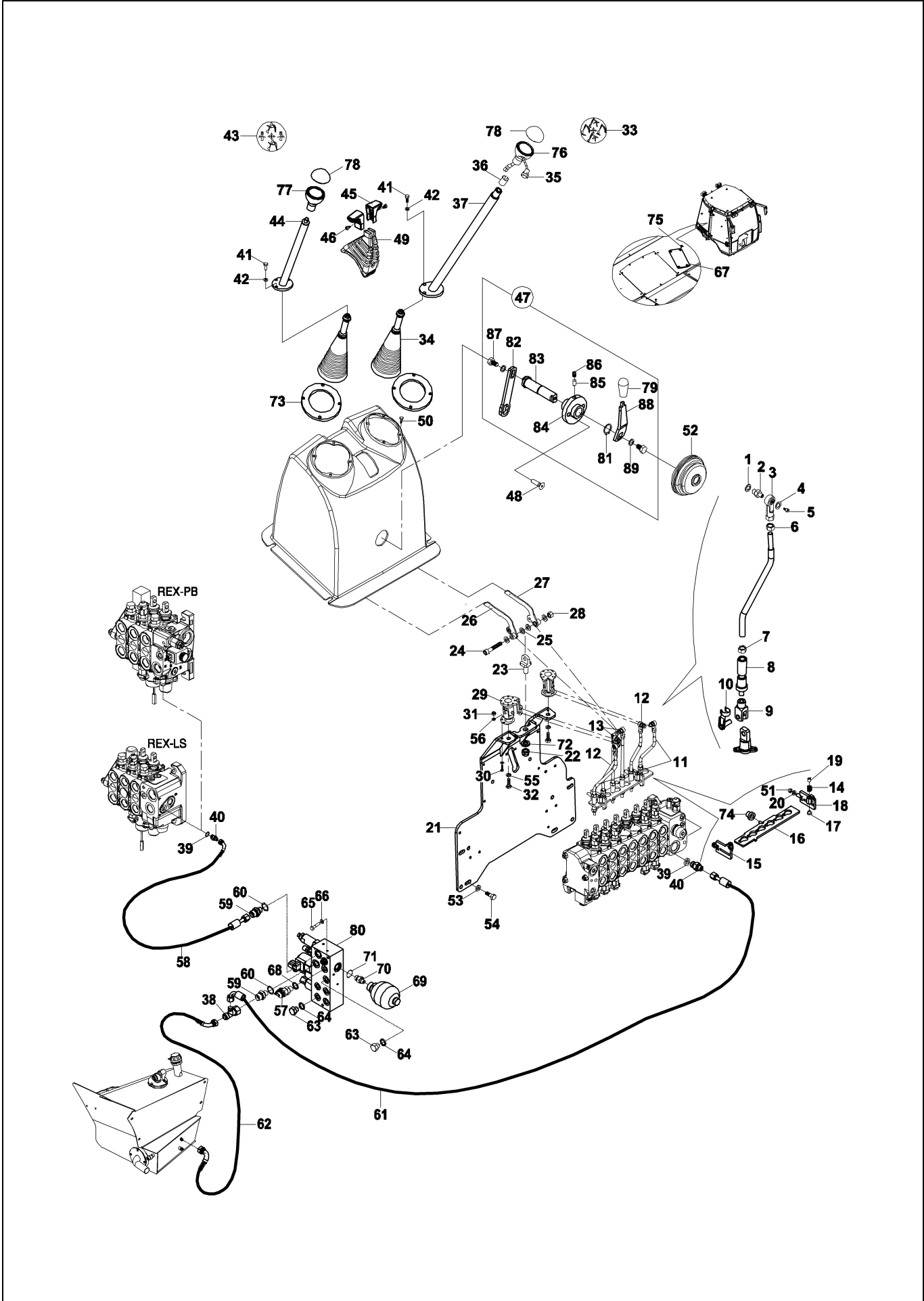
YÜKLEYİCİ KUMANDA MEKANİZMASI (SABİT KEPÇE & JOYSTİCK) (TİP B)
BACKHOE CONTROL MECHANISM (SHOVEL & JOYSTICK) (TYPE B)



YÜKLEYİCİ KUMANDA MEKANİZMASI (SABİT KEPÇE & JOYSTİCK) (TİP B)
BACKHOE CONTROL MECHANISM (SHOVEL & JOYSTİCK) (TYPE B)

No	Parça No	Parça Adı		Adet	S.K.	Bas.S.N	Bit.S.N	Y.K.	Not
No	Part no	Description		Qty	SC	S/N from	S/N to	ICA	Note
1	N015890014	CIVATA	BOLT	2					M4x8
2	N030001850	PUL	WASHER	2					
3	F9960040	KÜRESEL MAFSAL	ROD END	2					
4	N023580182	SOMUN	NUT	2					M8
5	81300150	PİM	PIN	2					
6	01929299	MAFSAL K.K.	JOINT W.A	1					
7	02021591	KUMANDA ÇUBUĞU	ROD	2					
8	F9960051	ÇATAL	YOKE	2					
9	F9960056	PİM	PIN	2					
10	02003005	SAC	PLATE	1					
11	N030810015	PUL	WASHER	2					M10
12	N025910050	SOMUN	NUT	1					M6
13	N010231514	CIVATA	BOLT	1					M6x20
14	N030810001	PUL	WASHER	1					
15	N010232846	CIVATA	BOLT	1					M12x30
16	01929237	BRAKET K.K.	BRACKET W.A., LOADER VALVE	1					
17	N010232438	CIVATA	BOLT	1					M10x20
19	F1822734	TOPUZ KOMPLESİ, YÜKLEYİCİ KUMANDA	HANDLE ASS'Y, LOADER CONTROL	1					
20	81028590	KÖRÜK	BELLOWS	1					
21	02012129	SAC, KÖRÜK	PLATE, BELLOWS	1					
22	N023570302	SOMUN	NUT	1					
23	01991350	LEVYE, YÜKLEYİCİ KUMANDA	LEVER, LOADER CONTROL	1					
24	N010231478	CIVATA	BOLT	4					M6x16
25	N030100013	PUL	WASHER	6					M6
26	02021442	ÇUBUK	ROD	1					
27	N015890170	CIVATA	BOLT	1					M5x16
28	80706710	YAY	SPRING	1					
29	81014425	PİM	PIN	1					
30	81014483	TOPUZ	KNOB, LEVER LOCK	1					
31	N023580158	SOMUN	NUT	1					M8
32	50633202	KONNEKTÖR	CONNECTOR	1					
33	N010380626	CIVATA	BOLT	2					M10x35
34	N030020121	PUL	WASHER	2					M10
35	02021411	KİLİT KARŞILIĞI	STRIKER, LEVER LOCK	1					
36	02020809	SAC	PLATE	1					
37	02002510	SAC, KÖRÜK	PLATE, BELLOWS	1					
38	N130165180	DÜBEL	FIXING PLUG	4					
39	N023580206	SOMUN	NUT	2					
40	N030000004	O-RİNGLİ PUL	WASHER	2					
41	81404060	TAPA	PLUG	2					
42	N023580182	SOMUN	NUT	1					
43	N010232462	CIVATA	BOLT	3					
44	N030020121	PUL	WASHER	4					M10
45	50633203	KONNEKTÖR KİLİDİ	LOCK, CONNECTOR	1					
46	50633204	TAPA	PLUG	1					

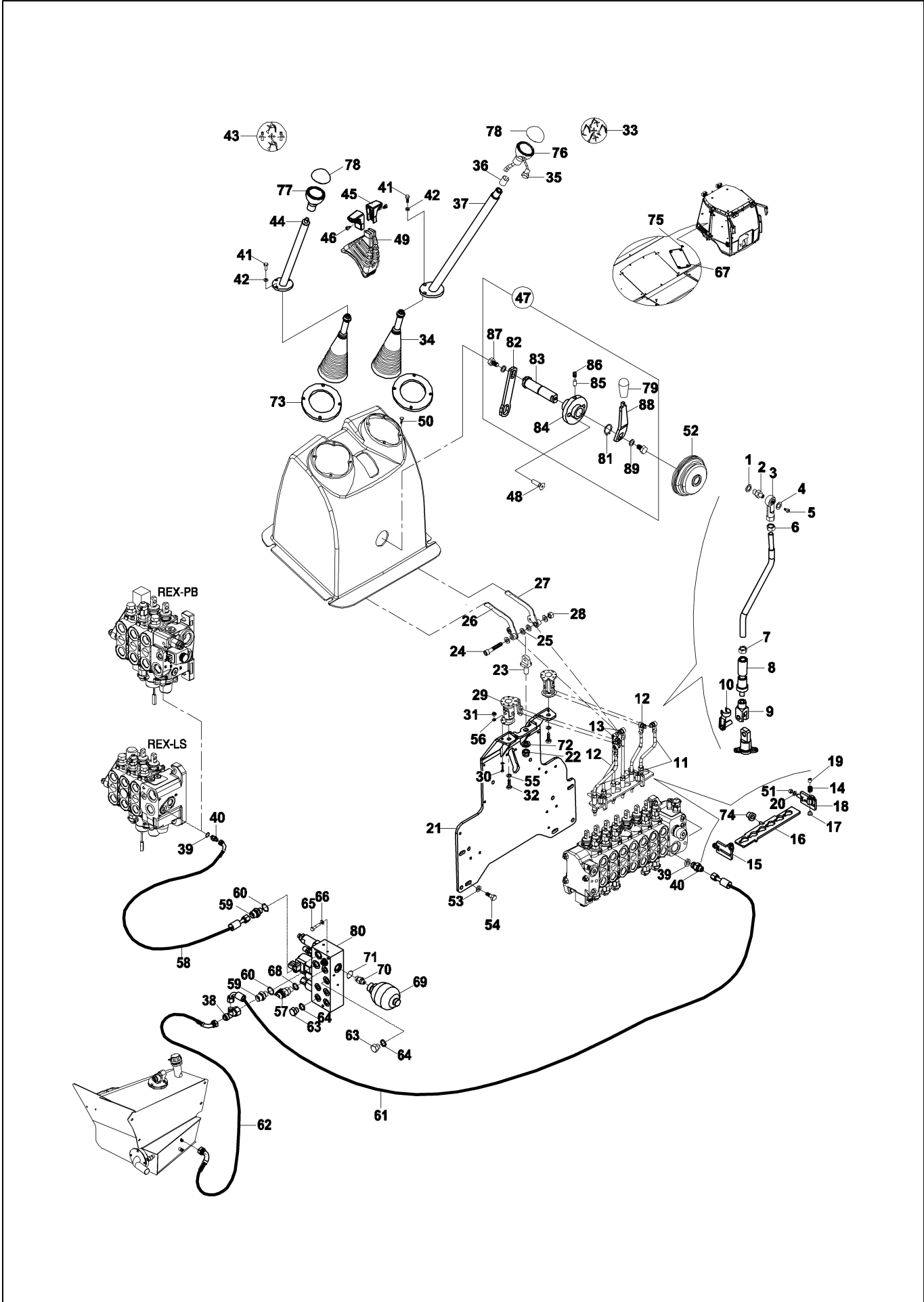
KAZICI KUMANDA VE MEKANİZMASI (PİSTONLU POMPA) (TİP B) (OP) BACKHOE CONTROL & MECHANISM (PISTON PUMP) (TYPE B) (OP)



**KAZICI KUMANDA VE MEKANİZMASI (PİSTONLU POMPA) (TİP B) (OP)
BACKHOE CONTROL & MECHANISM (PISTON PUMP) (TYPE B) (OP)**

No	Parça No	Parça Adı	Adet	S.K.	Bas.S.N	Bit.S.N	Y.K.	Not
No	Part no	Description	Qty	SC	S/N from	S/N to	ICA	Note
1	N030810015	PUL	6					
2	81300150	PİM	6					
3	F9960040	KÜRESEL MAFSAL	6					
4	N030001850	PUL	6					
5	N015890014	CIVATA	6					
6	N023580182	SOMUN	8					
7	N023580206	SOMUN	6					
8	81014455	PİM	6					
9	F9960051	ÇATAL	6					
10	F9960056	PİM	6					
11	02021611	KUMANDA ÇUBUĞU	2					
12	02021610	KUMANDA ÇUBUĞU	2					
13	02021528	KUMANDA ÇUBUĞU	2					
14	80706615	YAY	2					
15	01991576	BRAKET	1					
16	01991575	KİLİT SACI	1					
17	F9977905	POLYAMİD BURÇ	2					
18	01991577	BRAKET	1					
19	N043120794	AYAR VIDASI	2					
20	N030020121	PUL	2					
21	01929185	KUMANDA SACI	1					
22	N025910182	SOMUN	1					
23	02021415	SABİTLEYİCİ	1					
24	N010380914	CIVATA	1					M12x70
25	N030312201	PUL	4					
26	01991404	KUMANDA KOLU, AYAK, SOL	1					
27	01991403	KUMANDA KOLU, AYAK, SAĞ	1					
28	N025910122	SOMUN	1					
29	01929277	MAFSAL	2					
30	N010231514	CIVATA	2					M6x20
31	N025910050	SOMUN	2					
32	N010232846	CIVATA	2					M12x30
33	Y0611230	ETİKET, FONKSİYON SAĞ	1					
34	81028556	KÖRÜK	2					
35	F0617090	BUTON, EL FRENİ TEST	1					
36	F9920002	YÜKSÜK	1					
37	01991398	LEVYE, KUMANDA	1					
38	N163790038	T ADAPTÖR	1					
39	N030000004	O-RİNGLİ PUL	2					
40	80624017	NİPEL	2					
41	N015890302	CIVATA	6					M6x15
42	N030100013	PUL	6					
43	Y0611231	ETİKET, FONKSİYON SOL	1					
44	01991397	LEVYE, KUMANDA	1					
45	F9940411	ELCİK	2					
46	N044061070	VİDA	2					

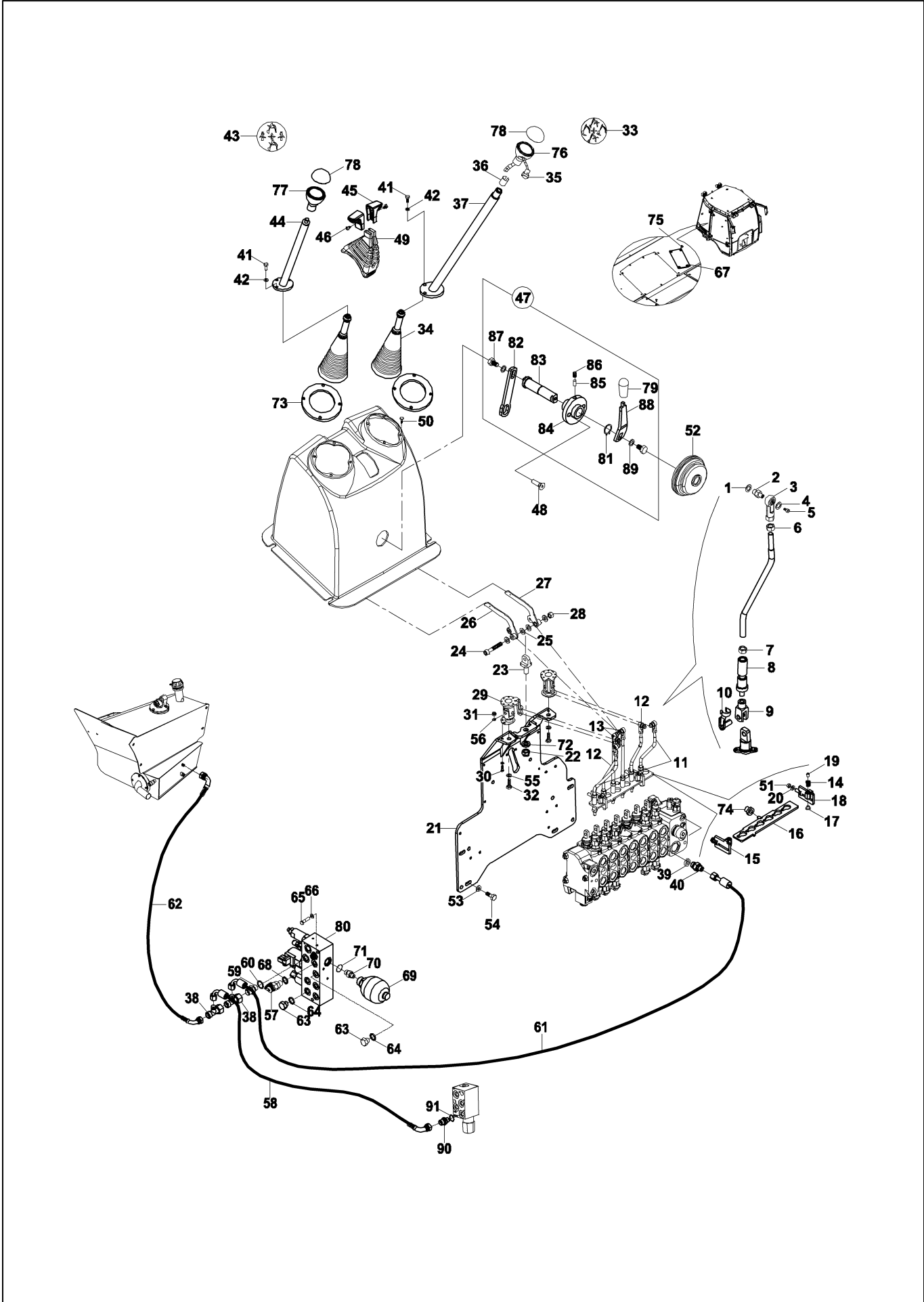
KAZICI KUMANDA VE MEKANİZMASI (PİSTONLU POMPA) (TİP B) (OP) BACKHOE CONTROL & MECHANISM (PISTON PUMP) (TYPE B) (OP)



**KAZICI KUMANDA VE MEKANİZMASI (PİSTONLU POMPA) (TİP B) (OP)
BACKHOE CONTROL & MECHANISM (PISTON PUMP) (TYPE B) (OP)**

No	Parça No	Parça Adı	Adet	S.K.	Bas.S.N	Bit.S.N	Y.K.	Not
No	Part no	Description	Qty	SC	S/N from	S/N to	ICA	Note
47	F9920040	KUMANDA LEVYESİ KİLİT KOMPLESİ	1					
48	N044320520	VİDA	2					M8x30
49	81028582	KÖRÜK	1					
50	N130165180	DÜBEL	8					
51	N025910086	SOMUN	2					
52	81030017	KÖRÜK	1					
53	N030810001	PUL	4					
54	N010232822	CIVATA	4					M12x25
55	N030810001	PUL	2					
56	N030100013	PUL	4					
57	F9970100	MANOMETRE PRİZİ	1					
58	6631120085	HORTUM KOMPLESİ	1					
59	80624018	NİPEL	2					
60	N030000005	O-RİNGLİ PUL	2					
61	6631123115	HORTUM KOMPLESİ	1					
62	6631121165	HORTUM KOMPLESİ	1					
63	81404060	TAPA	2					
64	N030000004	O-RİNGLİ PUL	2					
65	N030810014	PUL	2					
66	N010380470	CIVATA	2					M8x70
67	02002851	KAPAK SACI	1					KIRICISIZ/STD. ARM
68	N030000004	O-RİNGLİ PUL	1					
69	F3093531	AKÜMÜLATOR	1					
69	F3093532	AKÜMÜLATOR	1	A			A	
70	80699991	NİPEL	1					
71	N102001527	O-RİNG	1					
72	N030810002	PUL	1					
73	02002494	SAC	2					
74	F9977906	POLYAMİD BURÇ	1					
75	N044330506	VİDA	4					M8x20
76	F9920004	TOPUZ	1					
77	F9920003	TOPUZ	1					
78	F9920007	TOPUZ	2					
79	F9920006	TOPUZ	1					
80	F1873133	TOPUZ	1					
81	N050020035	SEGMAN	1					
82	02001070	KİLİT LEVYESİ	1					
83	81014429	PİM	1					
84	01929246	FLANŞ	1					
85	F9977925	POLYAMİD BURÇ	1					
86	N043120686	VİDA	1					M8x10
87	N010222078	CIVATA	1					
88	02020714	LEVYE, KİLİT	1					
89	N030020011	PUL	2					

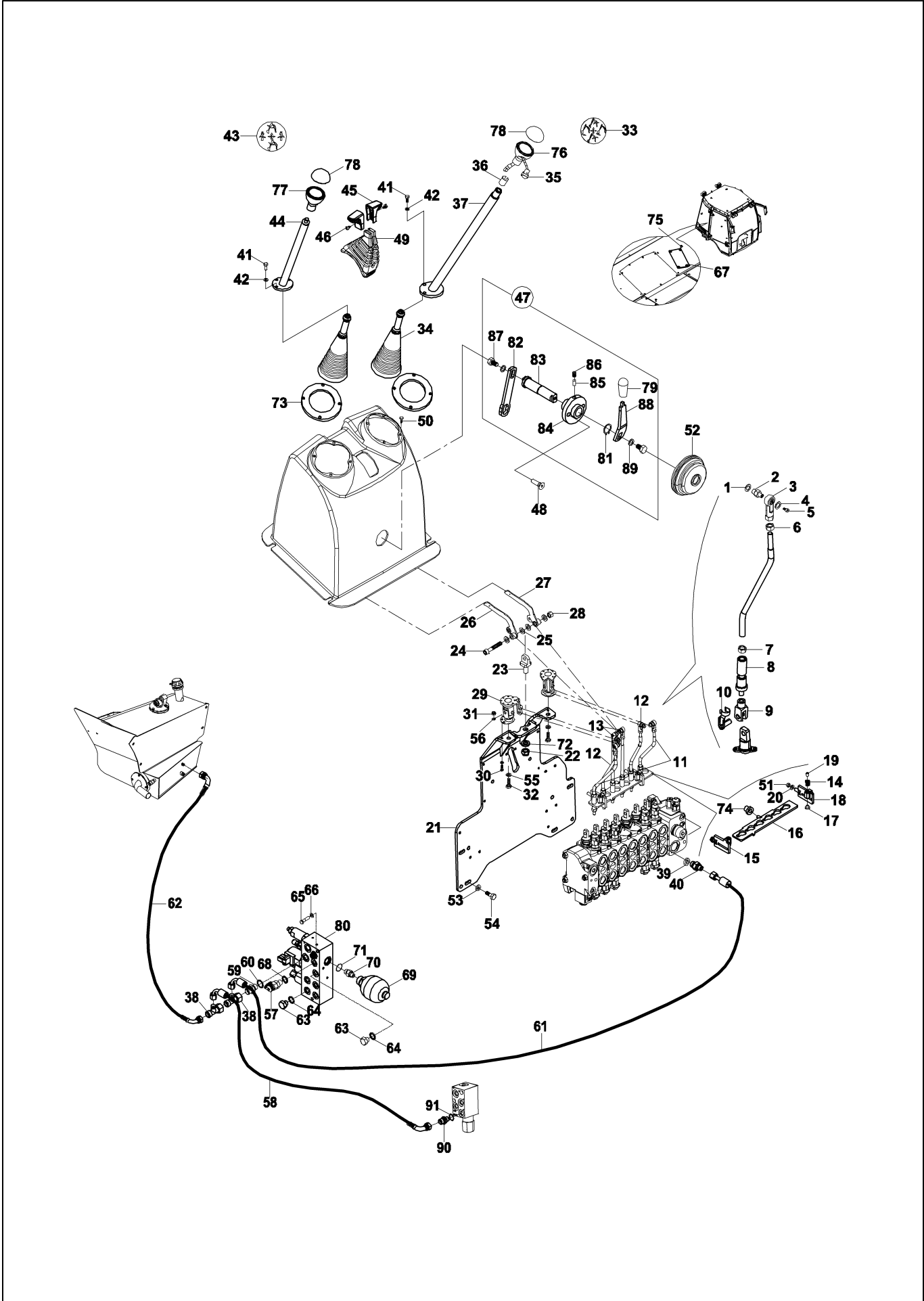
KAZICI KUMANDA VE MEKANİZMASI (DİŞLİ POMPA) (TİP B) (OP)
BACKHOE CONTROL & MECHANISM (GEAR PUMP) (TYPE B) (OP)



**KAZICI KUMANDA VE MEKANİZMASI (DİŞLİ POMPA) (TİP B) (OP)
BACKHOE CONTROL & MECHANISM (GEAR PUMP) (TYPE B) (OP)**

No	Parça No	Parça Adı	Adet	S.K.	Bas.S.N	Bit.S.N	Y.K.	Not
No	Part no	Description	Qty	SC	S/N from	S/N to	ICA	Note
1	N030810015	PUL	6					
2	81300150	PİM	6					
3	F9960040	KÜRESEL MAFSAL	6					
4	N030001850	PUL	6					
5	N015890014	CIVATA	6					
6	N023580182	SOMUN	8					
7	N023580206	SOMUN	6					
8	81014455	PİM	6					
9	F9960051	ÇATAL	6					
10	F9960056	PİM	6					
11	02021611	KUMANDA ÇUBUĞU	2					
12	02021610	KUMANDA ÇUBUĞU	2					
13	02021528	KUMANDA ÇUBUĞU	2					
14	80706615	YAY	2					
15	01991576	BRAKET	1					
16	01991575	KİLİT SACI	1					
17	F9977905	POLYAMİD BURÇ	2					
18	01991577	BRAKET	1					
19	N043120794	AYAR VİDASI	2					
20	N030020121	PUL	2					
21	01929185	KUMANDA SACI	1					
22	N025910182	SOMUN	1					
23	02021415	SABİTLEYİCİ	1					
24	N010380914	CIVATA	1					M12x70
25	N030312201	PUL	4					
26	01991404	KUMANDA KOLU, AYAK, SOL	1					
27	01991403	KUMANDA KOLU, AYAK, SAĞ	1					
28	N025910122	SOMUN	1					
29	01929277	MAFSAL	2					
30	N010231514	CIVATA	2					M6x20
31	N025910050	SOMUN	2					
32	N010232846	CIVATA	2					M12x30
33	Y0611230	ETİKET, FONKSİYON SAĞ	1					
34	81028556	KÖRÜK	2					
35	F0617090	BUTON, EL FRENİ TEST	1					
36	F9920002	YÜKSÜK	1					
37	01991398	LEVYE, KUMANDA	1					
38	N163790038	T ADAPTÖR	2					
39	N030000004	O-RİNGLİ PUL	1					
40	80624017	NİPEL	1					
41	N015890302	CIVATA	6					M6x15
42	N030100013	PUL	6					
43	Y0611231	ETİKET, FONKSİYON SOL	1					
44	01991397	LEVYE, KUMANDA	1					
45	F9940411	ELCİK	2					
46	N044061070	VİDA	2					

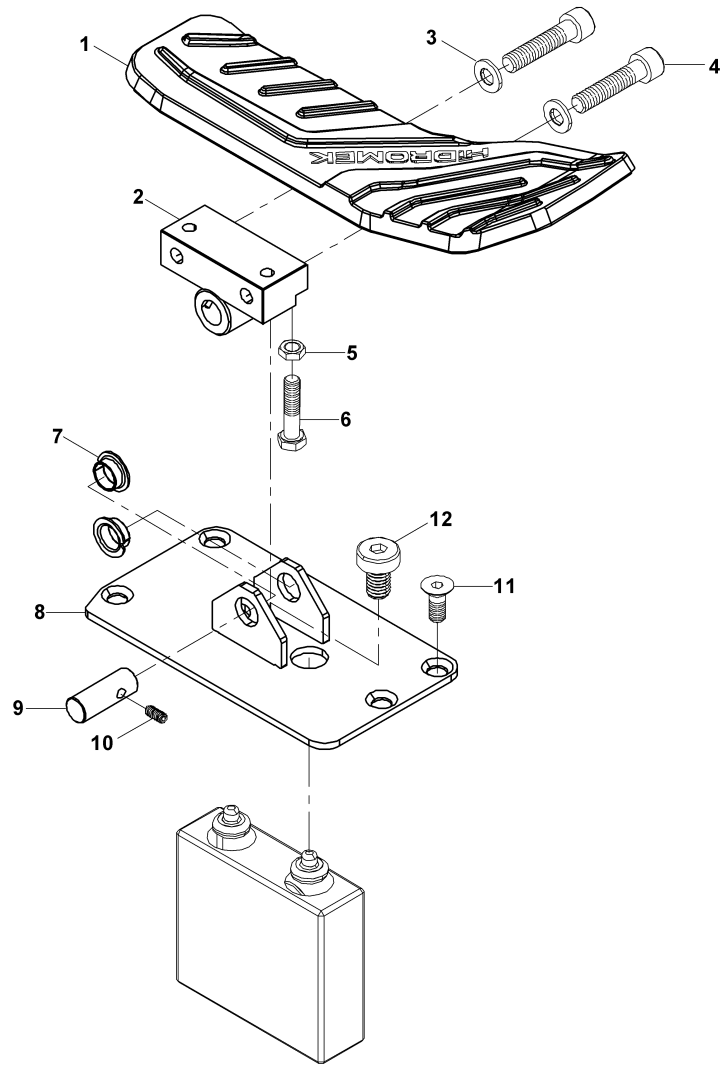
KAZICI KUMANDA VE MEKANİZMASI (DİŞLİ POMPA) (TİP B) (OP) BACKHOE CONTROL & MECHANISM (GEAR PUMP) (TYPE B) (OP)



KAZICI KUMANDA VE MEKANİZMASI (DİŞLİ POMPA) (TİP B) (OP)
BACKHOE CONTROL & MECHANISM (GEAR PUMP) (TYPE B) (OP)

No	Parça No	Parça Adı	Adet	S.K.	Bas.S.N	Bit.S.N	Y.K.	Not
No	Part no	Description	Qty	SC	S/N from	S/N to	ICA	Note
47	F9920040	KUMANDA LEVYESİ KİLİT KOMPLESİ	1					
48	N044320520	VİDA	2					M8x30
49	81028582	KÖRÜK	1					
50	N130165180	DÜBEL	8					
51	N025910086	SOMUN	2					
52	81030017	KÖRÜK	1					
53	N030810001	PUL	4					
54	N010232822	CIVATA	4					M12x25
55	N030810001	PUL	2					
56	N030100013	PUL	4					
57	F9970100	MANOMETRE PRİZİ	1					
58	6631121165	HORTUM KOMPLESİ	1					
59	80624018	NİPEL	1					
60	N030000005	O-RİNGLİ PUL	1					
61	6631123115	HORTUM KOMPLESİ	1					
62	6631121165	HORTUM KOMPLESİ	1					
63	81404060	TAPA	2					
64	N030000004	O-RİNGLİ PUL	2					
65	N030810014	PUL	2					
66	N010380470	CIVATA	2					M8x70
67	02002851	KAPAK SACI	1					KIRICISIZ/STD. ARM
68	N030000004	O-RİNGLİ PUL	1					
69	F3093531	AKÜMÜLATOR	1					
69	F3093532	AKÜMÜLATOR	1	A			A	
70	80699991	NİPEL	1					
71	N102001527	O-RİNG	1					
72	N030810002	PUL	1					
73	02002494	SAC	2					
74	F9977906	POLYAMİD BURÇ	1					
75	N044330506	VİDA	4					M8x20
76	F9920004	TOPUZ	1					
77	F9920003	TOPUZ	1					
78	F9920007	TOPUZ	2					
79	F9920006	TOPUZ	1					
80	F1873133	TOPUZ	1					
81	N050020035	SEGMAN	1					
82	02001070	KİLİT LEVYESİ	1					
83	81014429	PİM	1					
84	01929246	FLANŞ	1					
85	F9977925	POLYAMİD BURÇ	1					
86	N043120686	VİDA	1					M8x10
87	N010222078	CIVATA	1					
88	02020714	LEVYE, KİLİT	1					
89	N030020011	PUL	2					
90	80624019	NİPEL	1					
91	N102001119	O-RİNGLİ PUL	1					

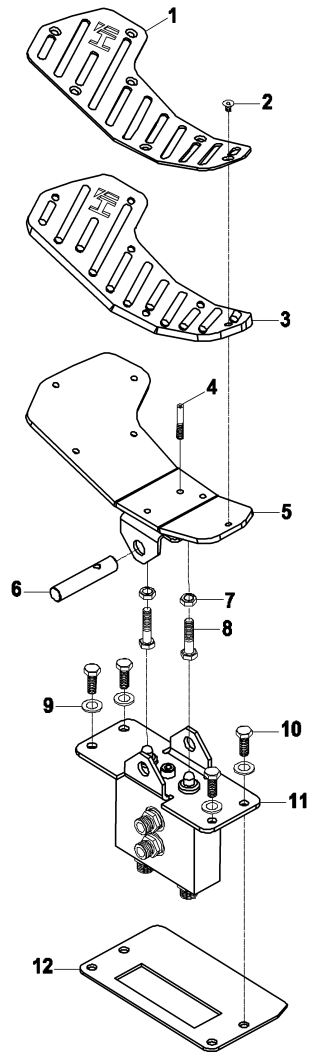
İLAVE ATAŞMAN PEDAL MONTAJI (JY) (TYPE B)
ADDITIONAL ATTACHMENT PEDAL MOUNTING (JY) (TYPE B)



İLAVE ATAŞMAN PEDAL MONTAJI (JY) (TYPE B)
ADDITIONAL ATTACHMENT PEDAL MOUNTING (JY) (TYPE B)

No	Parça No	Parça Adı	Adet	S.K.	Bas.S.N	Bit.S.N	Y.K.	Not
No	Part no	Description	Qty	SC	S/N from	S/N to	ICA	Note
1	H346132900	PEDAL	1					
2	01993066	BRAKET	1					
3	N030810015	PUL	2					
4	N015890818	CIVATA	2					M10x30
5	N023580182	SOMUN	2					
6	N010232138	CIVATA	2					M8x25
7	N100014127	YATAKLAMA BURCU	2					
8	01993065	BRAKET	1					
9	80162217	PİM	1					
10	N043120660	VİDA	1					M6x35
11	N044330506	VİDA	4					M8x10
12	N015911142	CIVATA	1					M12x20

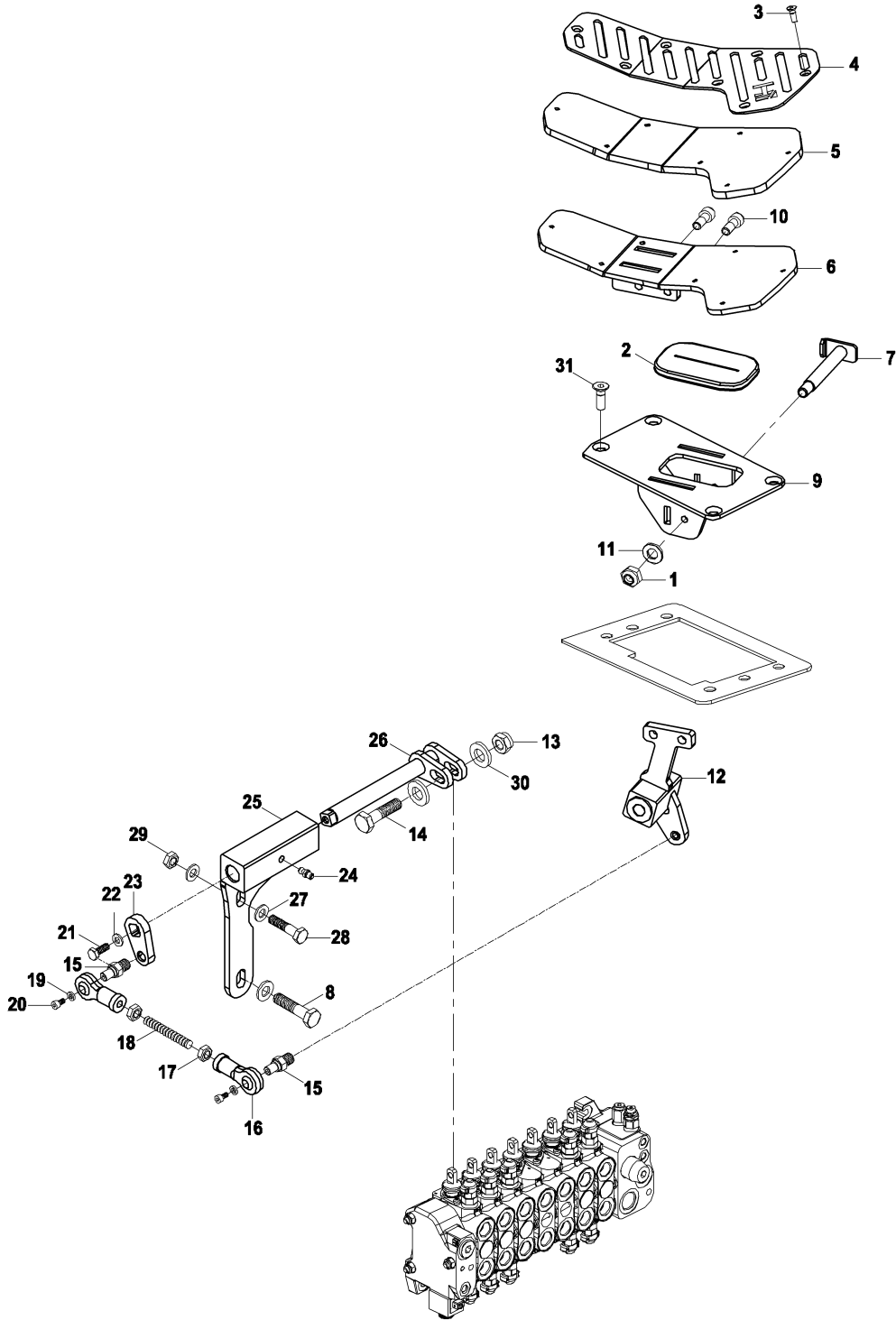
PEDAL MONTAJI, İLAVE ATAŞMAN (JY) (TİP B)
PEDAL MOUNTING, ADDITIONAL ATTACHMENT (JY) (TYPE B)



PEDAL MONTAJI, İLAVE ATAŞMAN (JY) (TİP B)
PEDAL MOUNTING, ADDITIONAL ATTACHMENT (JY) (TYPE B)

No	Parça No	Parça Adı	Description	Adet	S.K.	Bas.S.N	Bit.S.N	Y.K.	Not
No	Part no			Qty	SC	S/N from	S/N to	ICA	Note
1	02012372	PEDAL ÜST SACI	PEDAL, PLATE, UPPER	1					
2	N044330230	VİDA	SCREW	7					M5x8
3	81040190	PEDAL LASTIĞI	RUBBER, PEDAL	1					
4	N043120663	VİDA	SCREW	1					M6x35
5	01992984	PEDAL ALT SACI	PEDAL, PLATE, LOWER	1					
6	80100990	PİM	PIN	2					
7	N023580182	SOMUN	NUT	2					
8	N010232138	CIVATA	BOLT	2					M8x25
9	N030810014	PUL	WASHER	4					
10	N010232114	CIVATA	BOLT	4					M8x20
11	F1822631	ÇİFT TESİRLİ PEDAL VALFİ	DOUBLE ACTING PEDAL VALVE	1					
12	02002853	KAPAK	COVER	1					

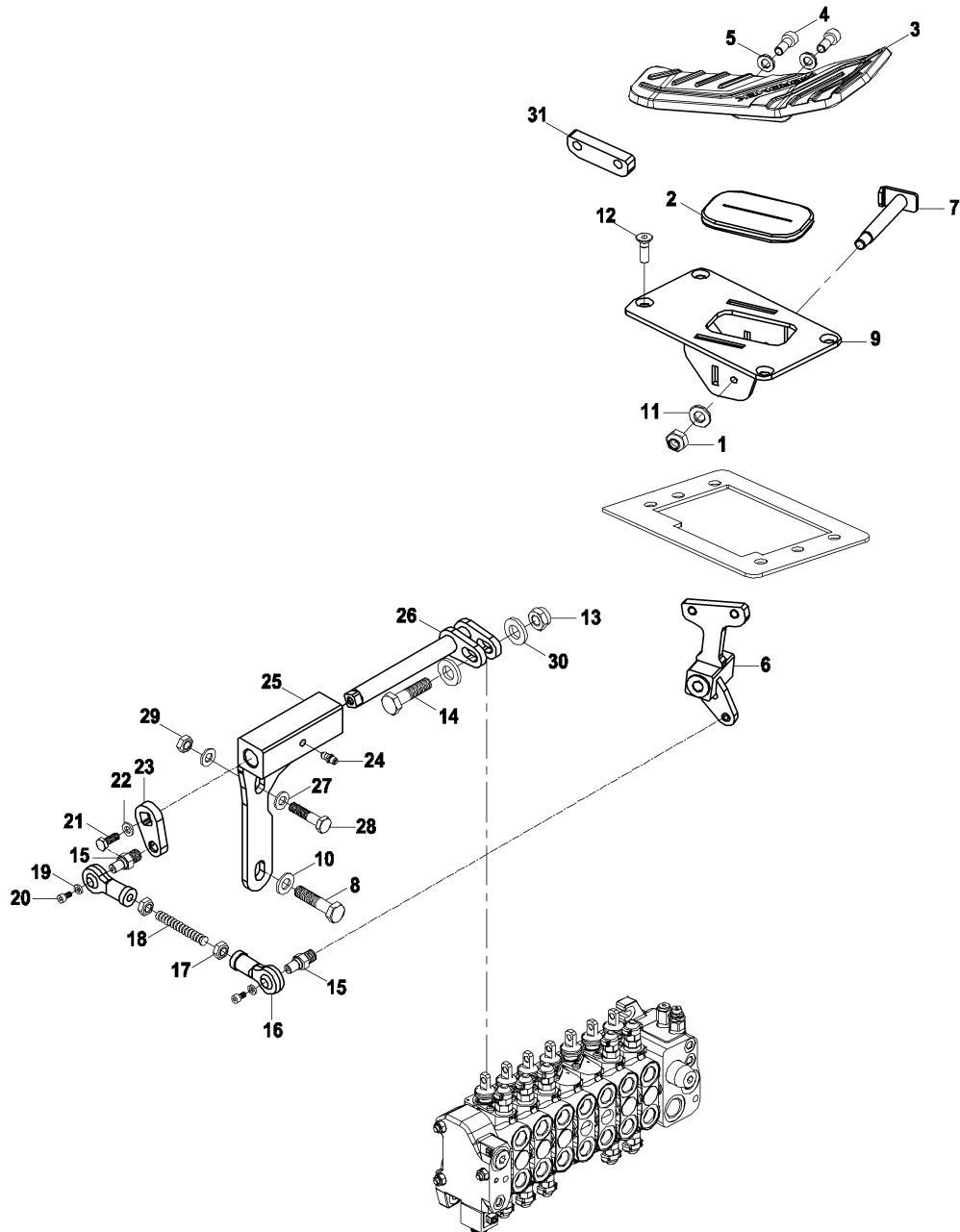
PEDAL MONTAJI, İLAVE ATAŞMAN (LV)(TİP B)
PEDAL MOUNTING, ADDITIONAL ATTACHMENT (LV)(TYPE B)



PEDAL MONTAJI, İLAVE ATAŞMAN (LV)(TİP B)
PEDAL MOUNTING, ADDITIONAL ATTACHMENT (LV)(TYPE B)

No	Parça No	Parça Adı	Description	Adet	S.K.	Bas.S.N	Bit.S.N	Y.K.	Not
No	Part no			Qty	SC	S/N from	S/N to	ICA	Note
1	N025910086	SOMUN	NUT	1					M10
2	81040018	GROMET	BROMMET	1					
3	N044330230	VİDA	SCREW	7					M5x12
4	02012372	PEDAL ÜST SACI	PEDAL, PLATE, UPPER	1					
5	81040190	PEDAL LASTİĞİ	RUBBER, PEDAL	1					
6	01992962	PEDAL K.K.	PEDAL W.A.	1					
7	01992967	PEDAL PİMİ	PIN	1					
8	N010232846	CIVATA	BOLT	1					M12x30
9	01993015	BRACKET, KIRICI PEDAL	BRACKET	1					
10	N015890458	CIVATA	BOLT	2					M8x25
11	N030810015	PUL	WASHER	1					M10
12	01829287	GÖVDE KOMPLESİ, PEDAL	BODY ASS'Y, PEDAL	1					
13	N025910086	SOMUN	NUT	1					M10
14	N010232498	CIVATA	BOLT	1					M10x35
15	81300150	PİM	PIN	2					
16	F9960040	KÜRESEL MAFSAL	ROD END	2					
17	N023580182	SOMUN	NUT	2					M8
18	02021651	KUMANDA ÇUBUĞU	ROD	1					
19	N030001850	PUL	WASHER	2					
20	N015890014	CIVATA	BOLT	2					M4x8
21	N010231478	CIVATA	BOLT	1					M6x16
22	N030020004	PUL	WASHER	1					
23	02002980	SAC	PLATE	1					
24	N081210020	NİPEL, GRES	NIPPLE, GREASE	1					
25	01929279	PEDAL MEKANİZMA YATAĞI	ROD	1					
26	01929278	PEDAL MEKANİZMA MİLİ	SHAFT	1					
27	N030810014	PUL	WASHER	1					M8
28	N010232162	CIVATA	BOLT	1					M8x30
29	N025910062	SOMUN	NUT	1					
30	N030020121	PUL	WASHER	2					
31	N044330506	VİDA	SCREW	4					M8x20

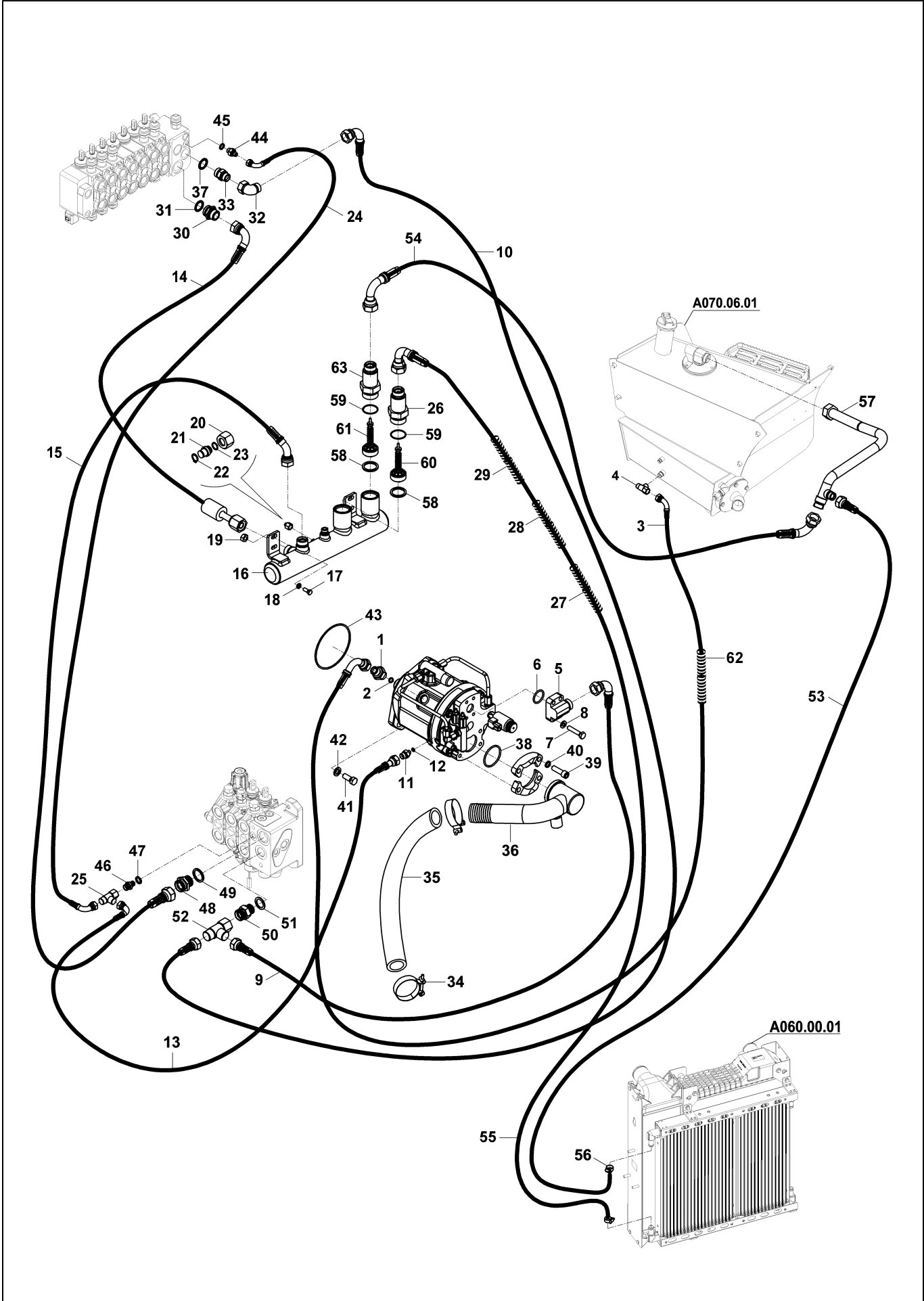
PEDAL MONTAJI, İLAVE ATAŞMAN (LV)(TİP B)
PEDAL MOUNTING, ADDITIONAL ATTACHMENT (LV)(TYPE B)



PEDAL MONTAJI, İLAVE ATAŞMAN (LV)(TİP B)
PEDAL MOUNTING, ADDITIONAL ATTACHMENT (LV)(TYPE B)

No	Parça No	Parça Adı	Description	Adet	S.K.	Bas.S.N	Bit.S.N	Y.K.	Not
No	Part no			Qty	SC	S/N from	S/N to	ICA	Note
1	N025910086	SOMUN	NUT	1					M10
2	81040018	GROMET	BROMMET	1					
3	H346132900	PEDAL	PEDAL	1					
4	N015890818	CIVATA	BOLT	2					M8x20
5	N030810014	PUL	WASHER	2					
6	01829288	GÖVDE KOMPLESİ, PEDAL	BODY ASS'Y, PEDAL	1					
7	01992967	PEDAL PİMİ	PIN	1					
8	N010232846	CIVATA	BOLT	1					M12x30
9	01993015	BRAKET, KIRICI PEDAL	BRACKET	1					
10	N030810001	PUL	WASHER	1					
11	N030810015	PUL	WASHER	1					M10
12	N044330506	VİDA	SCREW	4					M8x20
13	N025910086	SOMUN	NUT	1					M10
14	N010232498	CIVATA	BOLT	1					M10x35
15	81300150	PİM	PIN	2					
16	F9960040	KÜRESEL MAFSAL	ROD END	2					
17	N023580182	SOMUN	NUT	2					M8
18	02021651	KUMANDA ÇUBUĞU	ROD	1					
19	N030001850	PUL	WASHER	2					
20	N015890014	CIVATA	BOLT	2					M4x8
21	N010231478	CIVATA	BOLT	1					M6x16
22	N030020004	PUL	WASHER	1					
23	02002980	SAC	PLATE	1					
24	N081210020	NİPEL, GRES	NIPPLE, GREASE	1					
25	01929279	PEDAL MEKANİZMA YATAĞI	ROD	1					
26	01929278	PEDAL MEKANİZMA MİLİ	SHAFT	1					
27	N030810014	PUL	WASHER	1					M8
28	N010232162	CIVATA	BOLT	1					M8x30
29	N025910062	SOMUN	NUT	1					
30	N030020121	PUL	WASHER	2					
31	02003214	SAC	PLATE	1					

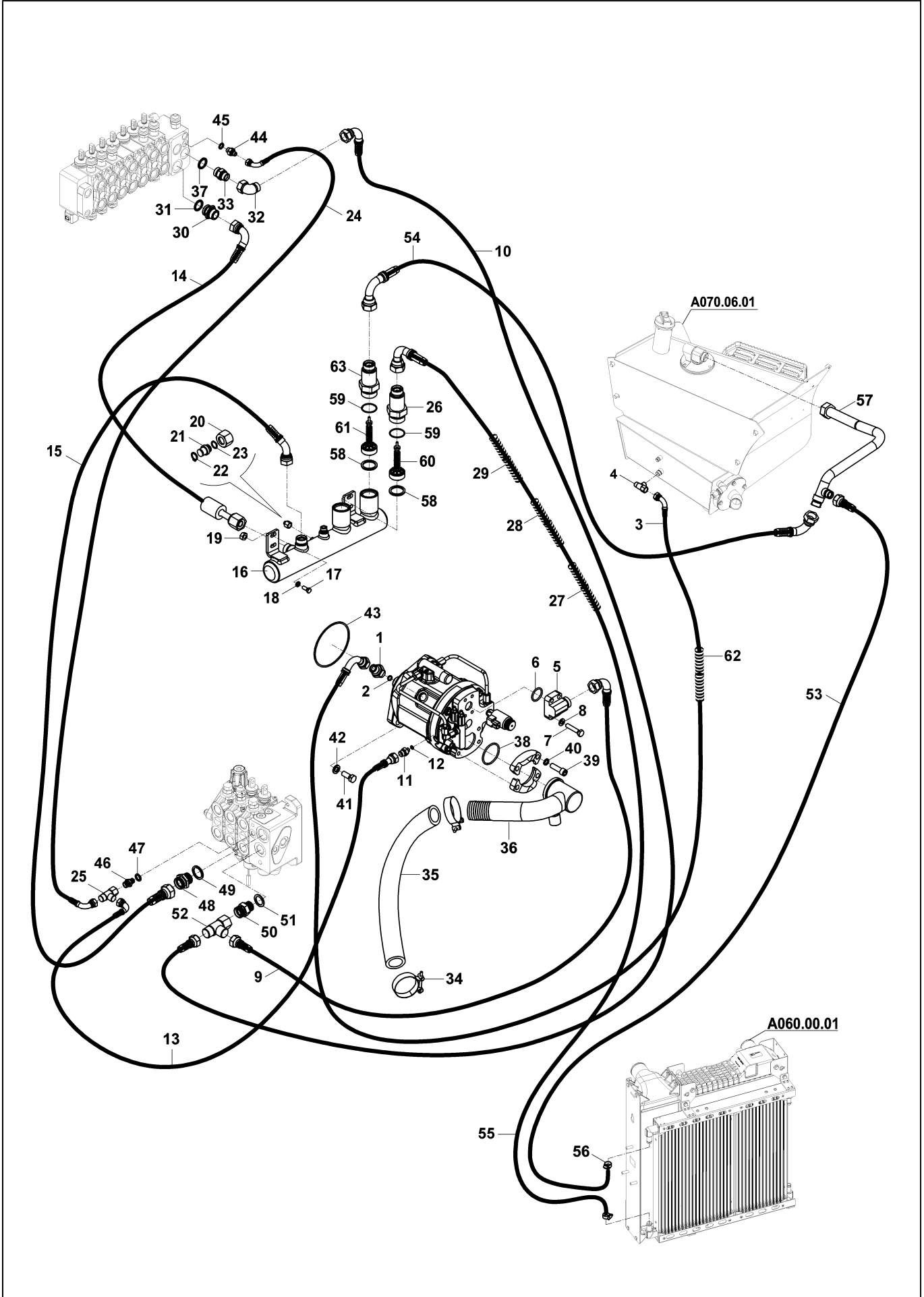
HİDROLİK TESİSAT, ANA DAĞITIM (PİSTONLU POMPA & TURNER & TİP B)
HYDRAULIC PIPING, MAIN (PISTON PUMP & TURNER & TYPE B)



HİDROLİK TESİSAT, ANA DAĞITIM (PİSTONLU POMPA & TURNER & TİP B)
HYDRAULIC PIPING, MAIN (PISTON PUMP & TURNER & TYPE B)

No	Parça No	Parça Adı	Adet	S.K.	Bas.S.N	Bit.S.N	Y.K.	Not
No	Part no	Description	Qty	SC	S/N from	S/N to	ICA	Note
1	80624070	NİPEL	1					
2	N102001923	O-RİNG	1					
3	664222G095	HORTUM KOMPLESİ	1					
4	N163770073	T ADAPTÖR	1					
5	N166000503	FLANŞ NİPEL	1					
6	N102003335	O-RİNG	1					
7	N015890830	CIVATA	4					M10x30
8	N031360010	YAYLI RONDELA	4					
9	6664420070	HORTUM KOMPLESİ	1					
10	6664423100	HORTUM KOMPLESİ	1					
11	80624080	NİPEL	1					
12	N102000818	O-RİNG	1					
13	6620021055	HORTUM KOMPLESİ	1					
14	6325521055	HORTUM KOMPLESİ	1					
15	6325521075	HORTUM KOMPLESİ	1					
16	01991529	TOPLAMA TÜPÜ	1					
17	N010232486	CIVATA	2					M10x30
18	N030810015	PUL	2					M10
19	N025910086	SOMUN	2					M10
20	N173570192	YÜKSÜKLÜ SOMUN	1					
21	81405218	KÖR TAPA	1					
22	N050020019	SEGMAN	1					
23	N102000918	O-RİNG	1					
24	6620023110	HORTUM KOMPLESİ	1					
25	N163790031	T ADAPTÖR	1					
26	80624639	NİPEL	1					
27	H134200800	HORTUM KORUYUCU	0.15					METRE/METERS
28	H134200800	HORTUM KORUYUCU	0.15					METRE/METERS
29	H134200800	HORTUM KORUYUCU	0.15					METRE/METERS
30	80624036	NİPEL	1					
31	N030000030	PUL	1					
32	N163750094	DİRSEK	1					
33	80624230	NİPEL	1					
34	N078205963	KELEPÇE	2					
35	H060420200	HORTUM	0.4					METRE/METERS
36	45240741	BORU K.K., POMPA EMİŞ	1					
37	N030000025	O-RİNGLİ PUL	1					
38	N102005636	O-RİNG	1					
39	N015891190	CIVATA	4					M12x40
40	N031360011	YAYLI RONDELA	4					M16
41	N010233578	CIVATA	2					M16x40
42	N030810002	PUL	2					
43	N102012634	O-RİNG	1					
44	N163430814	NİPEL	1					
45	N030000004	O-RİNGLİ PUL	1					

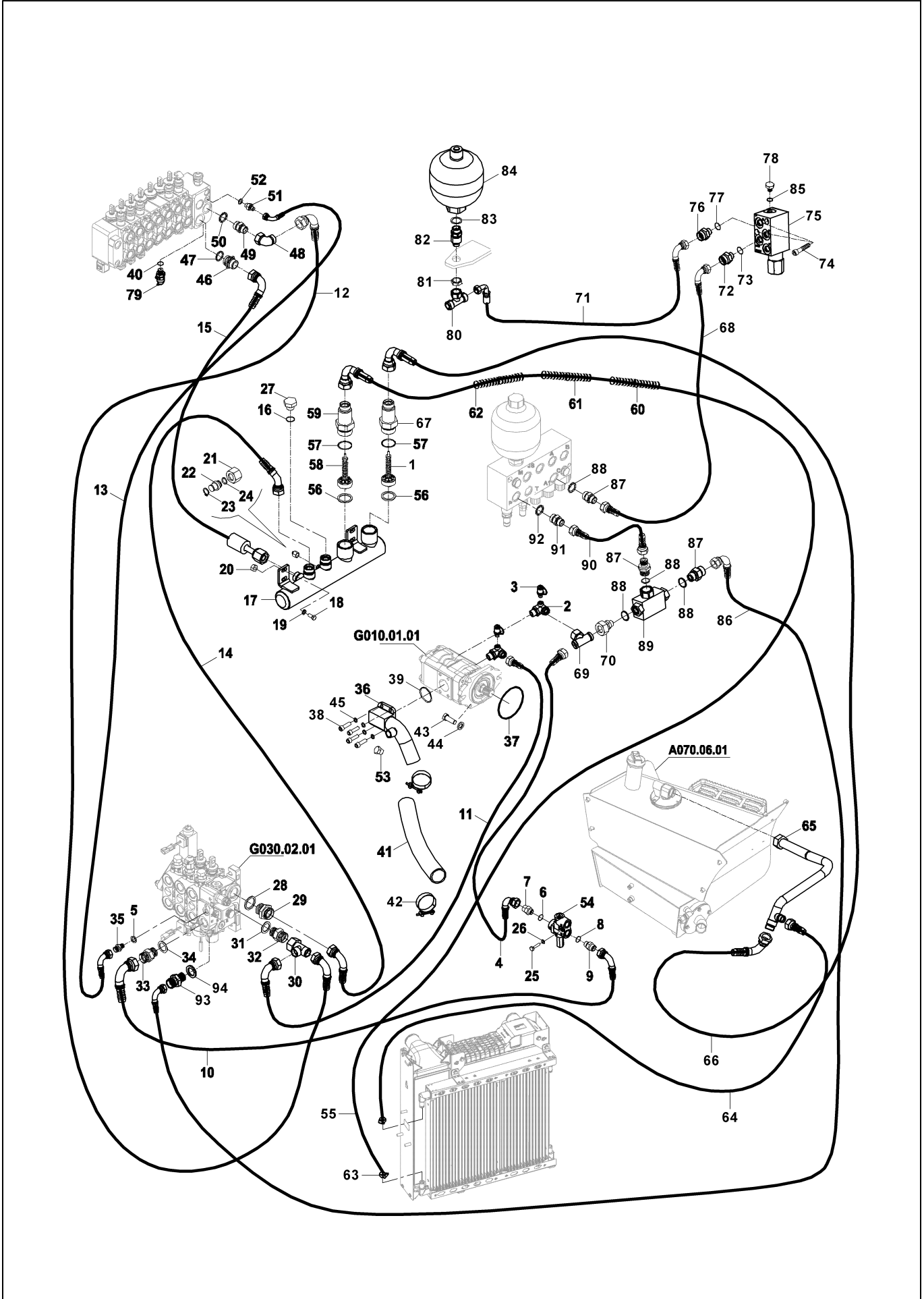
HİDROLİK TESİSAT, ANA DAĞITIM (PİSTONLU POMPA & TURNER & TİP B) HYDRAULIC PIPING, MAIN (PISTON PUMP & TURNER & TYPE B)



HİDROLİK TESİSAT, ANA DAĞITIM (PİSTONLU POMPA & TURNER & TİP B)
HYDRAULIC PIPING, MAIN (PISTON PUMP & TURNER & TYPE B)

No	Parça No	Parça Adı	Description	Adet	S.K.	Bas.S.N	Bit.S.N	Y.K.	Not
No	Part no			Qty	SC	S/N from	S/N to	ICA	Note
46	N163430814	NİPEL	ADAPTER	1					
47	N030000004	O-RİNGLİ PUL	WASHER	1					
48	80624036	NİPEL	ADAPTER	1					
49	N030000030	PUL	WASHER	1					
50	80624230	NİPEL	ADAPTER	1					
51	N030000025	O-RİNGLİ PUL	WASHER	1					
52	N163790094	T-ADAPTER	TEE	1					
53	7024429284	HORTUM KOMPLESİ	HOSE ASS'Y	1					
54	6325525105	HORTUM KOMPLESİ	HOSE ASS'Y	1					
55	7024429358	HORTUM KOMPLESİ	HOSE ASS'Y	1					
56	N074016025	KELEPÇE	CLAMP	2					
57	45250559	BORU KOMPLESİ	PIPE ASS'Y	1					
58	02021151	BİLEZİK	RING	2					
59	N102004226	O-RİNG	O-RING	2					
60	H343600700	ÇEK VALF	CHECK VALVE, RETURN	1					
61	H233601300	ÇEK VALF	CHECK VALVE, BYPASS	1					

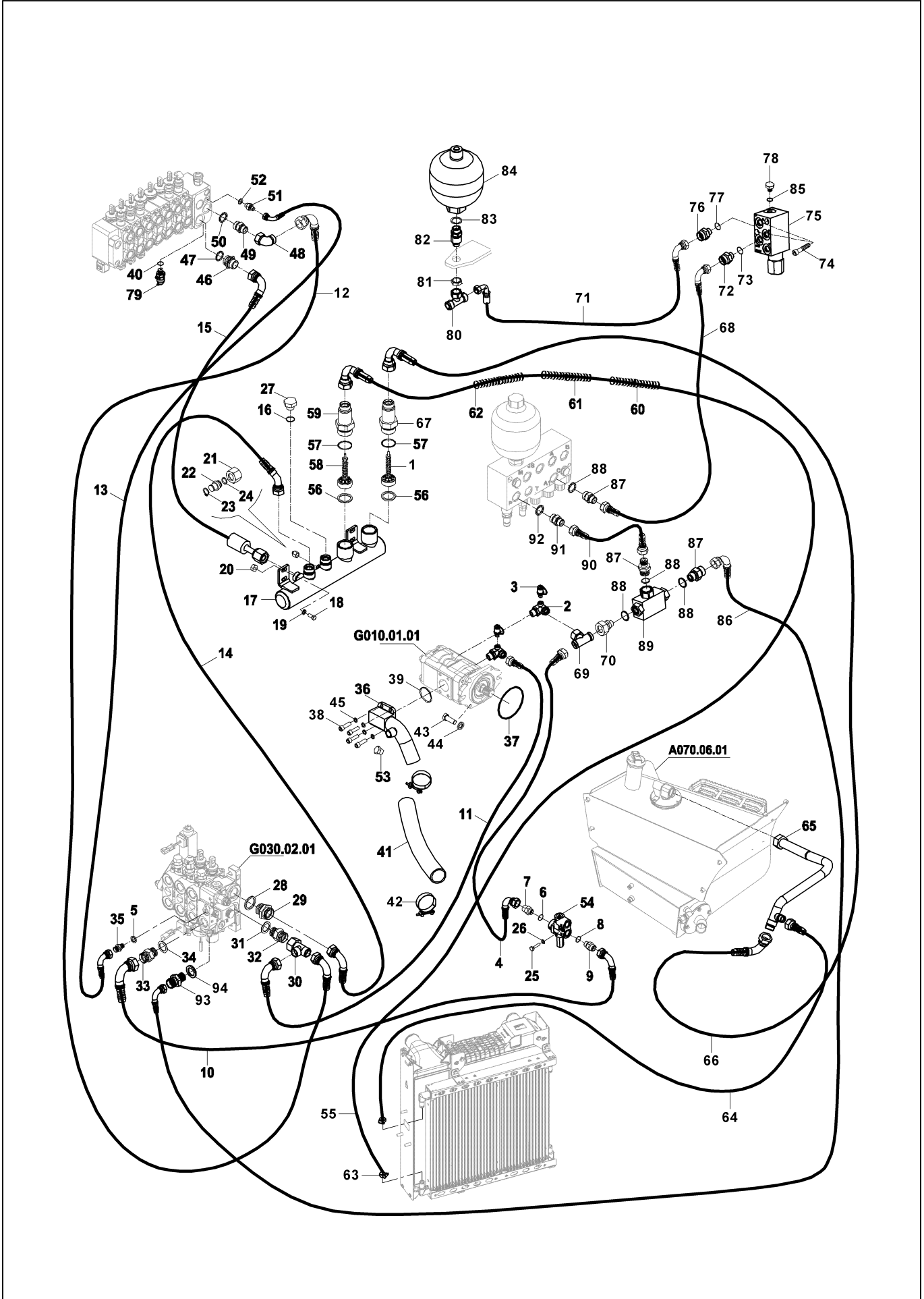
HİDROLİK TESİSAT, ANA DAĞITIM (DİŞLİ POMPA & TURNER) (TİP B) HYDRAULIC PIPING, MAIN (GEAR PUMP & TURNER) (TYPE B)



HİDROLİK TESİSAT, ANA DAĞITIM (DIŞLI POMPA & TURNER) (TİP B)
HYDRAULIC PIPING, MAIN (GEAR PUMP & TURNER) (TYPE B)

No	Parça No	Parça Adı	Adet	S.K.	Bas.S.N	Bit.S.N	Y.K.	Not
No	Part no	Description	Qty	SC	S/N from	S/N to	ICA	Note
1	H233601300	ÇEK VALF	1					
2	N163470405	NİPEL	2					
3	F9970100	MANOMETRE PRİZİ	2					
4	6664426070	HORTUM KOMPLESİ	1					
5	N030000004	O-RİNGLİ PUL	1					
6	N030000015	O-RİNGLİ PUL	1					1/2"
7	N163430975	NİPEL	1					
8	N030000015	O-RİNGLİ PUL	1					1/2"
9	N163430975	NİPEL	1					
10	6664421070	HORTUM KOMPLESİ	1					
11	6664421085	HORTUM KOMPLESİ	1					
12	6664421095	HORTUM KOMPLESİ	1					
13	6620024110	HORTUM KOMPLESİ	1					
14	6325521065	HORTUM KOMPLESİ	1					
15	6325521055	HORTUM KOMPLESİ	1					
16	N030000015	O-RİNGLİ PUL	1					
17	01991529	TOPLAMA TÜPÜ	1					
18	N010232486	CIVATA	2					M10x30
19	N030810015	PUL	2					M10
20	N025910086	SOMUN	2					M10
21	N173570192	YÜKSÜKLÜ SOMUN	1					M18x1,5
22	81405218	KÖR TAPA	1					
23	N050020019	SEGMAN	1					
24	N102000918	O-RİNG	1					
25	N010380410	CIVATA	1					M8x50
26	N030810014	PUL	1					M8
27	81401304	TAPA	1					
28	N030000030	PUL	1					
29	80624036	NİPEL	1					
30	N163790094	T-ADAPTER	1					
31	N0300000025	PUL	1					
32	80624230	NİPEL	1					
33	80624230	NİPEL	1					
34	N030000025	O-RİNGLİ PUL	1					
35	N163430814	NİPEL	1					
36	45240743	BORU K.K. POMPA EMİŞ	1					
37	N102012634	O-RİNG	1					
38	N015891166	CIVATA	4					M12x30
39	N102005636	O-RİNG	1					
40	N030000004	O-RİNGLİ PUL	1					
41	H060420200	HORTUM	0.5					METRE/METERS
42	N078205963	KELEPÇE	2					
43	N010233590	CIVATA	2					
44	N030810002	PUL	2					M16
45	N031360011	YAYLI RONDELA	4					M12
46	80624036	NİPEL	1					

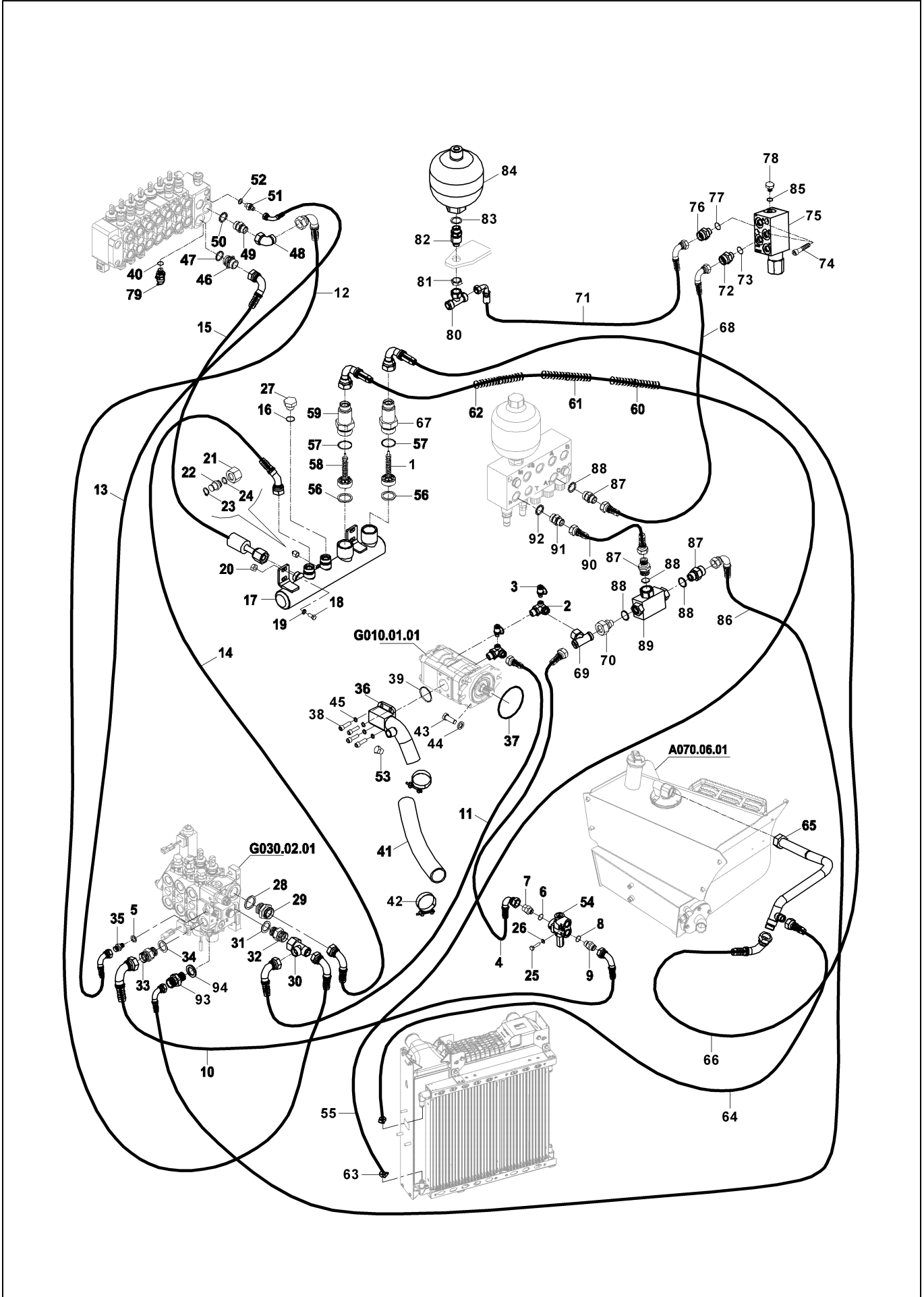
HİDROLİK TESİSAT, ANA DAĞITIM (DİŞLİ POMPA & TURNER) (TİP B) HYDRAULIC PIPING, MAIN (GEAR PUMP & TURNER) (TYPE B)



HİDROLİK TESİSAT, ANA DAĞITIM (DIŞLI POMPA & TURNER) (TİP B)
HYDRAULIC PIPING, MAIN (GEAR PUMP & TURNER) (TYPE B)

No	Parça No	Parça Adı	Adet	S.K.	Bas.S.N	Bit.S.N	Y.K.	Not
No	Part no	Description	Qty	SC	S/N from	S/N to	ICA	Note
47	N030000030	PUL	1					
48	N163750094	DİRSEK	1					
49	80624230	NİPEL	1					
50	N030000025	O-RİNGLİ PUL	1					
51	N163430814	NİPEL	1					
52	N030000004	O-RİNGLİ PUL	1					
53	81404102	TAPA	1					
54	F1851000	DİREKSİYON ÖNCELİK VALFİ	1					
55	7024429358	HORTUM KOMPLESİ	1					
56	02021151	BİLEZİK	2					
57	N102004226	O-RİNG	2					
58	H343600700	ÇEK VALF	1					
59	80624639	NİPEL	1					
60	H134200800	HORTUM KORUYUCU	0.15					METRE/METERS
61	H134200800	HORTUM KORUYUCU	0.15					METRE/METERS
62	H134200800	HORTUM KORUYUCU	0.15					METRE/METERS
63	N074016025	KELEPÇE	2					
64	7024429280	HORTUM KOMPLESİ	1					
65	45250991	BORU KOMPLESİ	1					
66	6325525115	HORTUM KOMPLESİ	1					
67	80624638	NİPEL	1					
68	6631126125	HORTUM KOMPLESİ	1					
69	N163770085	T ADAPTÖR	1					
70	80699989	NİPEL	1					
71	663112K110	HORTUM KOMPLESİ	1					
72	80624019	NİPEL	1					
73	N102001119	O-RİNGLİ PUL	1					
74	N015890566	CIVATA	2					
75	F1873132	VALF, AKÜMÜLATOR ŞARJ	1					
76	80624019	NİPEL	1					
77	N102001119	O-RİNGLİ PUL	1					
78	81404091	TAPA	1					
79	F9970100	MANOMETRE PRİZİ	1					
80	N163770045	T ADAPTÖR	1					
81	80400634	SOMUN	1					
82	80624890	NİPEL	1					
83	N030000015	O-RİNGLİ PUL	1					
84	F3093531	AKÜMÜLATOR	1					
85	N102000818	O-RİNG	1					
86	6631122100	HORTUM KOMPLESİ	1					
87	80624017	NİPEL	3					
88	N030000004	O-RİNGLİ PUL	4					
89	F1891002	VEYA VALFİ	1					
90	6631121100	HORTUM KOMPLESİ	1					
91	80624018	NİPEL	1					

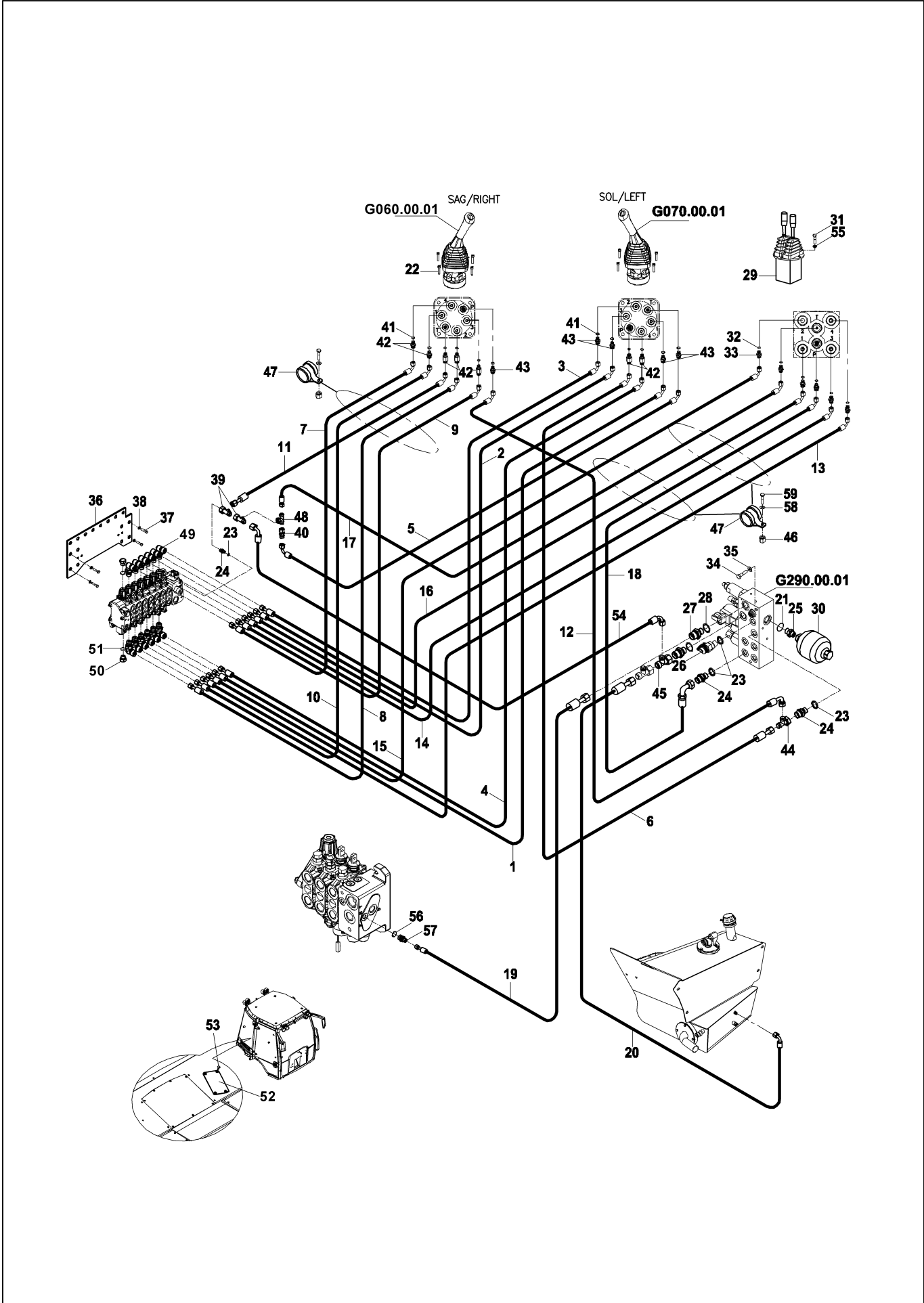
HİDROLİK TESİSAT, ANA DAĞITIM (DİŞLİ POMPA & TURNER) (TİP B) HYDRAULIC PIPING, MAIN (GEAR PUMP & TURNER) (TYPE B)



HİDROLİK TESİSAT, ANA DAĞITIM (DİŞLİ POMPA & TURNER) (TİP B)
HYDRAULIC PIPING, MAIN (GEAR PUMP & TURNER) (TYPE B)

No	Parça No	Parça Adı	Adet	S.K.	Bas.S.N	Bit.S.N	Y.K.	Not
No	Part no	Description	Qty	SC	S/N from	S/N to	ICA	Note
92	N030000005	O-RİNGLİ PUL	1					
93	80624017	NİPEL	1					
94	N030000004	O-RİNGLİ PUL	1					

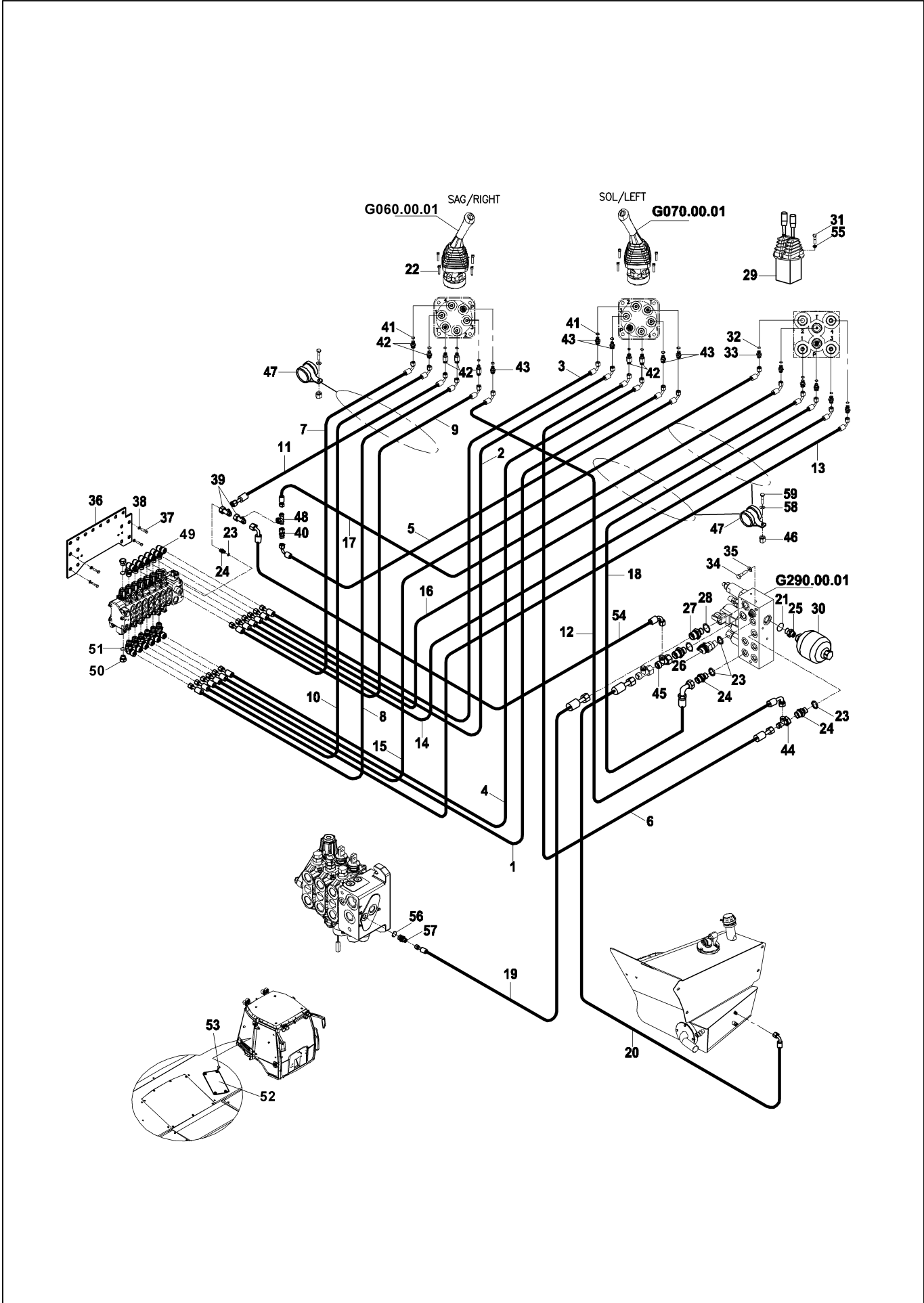
HİDROLİK TESİSAT, PİLOT (STD ARM & PİSTONLU POMPA) (TİP B) (OP) HYDRAULIC PIPING, PILOT (STD ARM & PISTON PUMP) (TYPE B) (OP)



HİDROLİK TESİSAT, PİLOT (STD ARM & PİSTONLU POMPA) (TİP B) (OP)
HYDRAULIC PIPING, PILOT (STD ARM & PISTON PUMP) (TYPE B) (OP)

No	Parça No	Parça Adı	Adet	S.K.	Bas.S.N	Bit.S.N	Y.K.	Not
No	Part no	Description	Qty	SC	S/N from	S/N to	ICA	Note
1	6370021115	HORTUM KOMPLESİ	1					
2	6370021095	HORTUM KOMPLESİ	1					
3	6370021095	HORTUM KOMPLESİ	1					
4	6370021110	HORTUM KOMPLESİ	1					
5	6370025070	HORTUM KOMPLESİ	1					
6	6370024150	HORTUM KOMPLESİ	1					
7	6370021125	HORTUM KOMPLESİ	1					
8	6370021170	HORTUM KOMPLESİ	1					
9	6370021125	HORTUM KOMPLESİ	1					
10	6370021170	HORTUM KOMPLESİ	1					
11	6370021125	HORTUM KOMPLESİ	1					
12	6370024180	HORTUM KOMPLESİ	1					
13	6370026200	HORTUM KOMPLESİ	1					
14	6370026170	HORTUM KOMPLESİ	1					
15	6370026200	HORTUM KOMPLESİ	1					
16	6370026170	HORTUM KOMPLESİ	1					
17	6370026165	HORTUM KOMPLESİ	1					
18	6370028230	HORTUM KOMPLESİ	1					
19	6631120085	HORTUM KOMPLESİ	1				C	
20	6631122155	HORTUM KOMPLESİ	1					
21	N102001527	O-RİNG	1					
22	N015890362	CIVATA	8					M6x35
23	N030000004	O-RİNGLİ PUL	4					
24	N163430814	NİPEL	3					
25	80699991	NİPEL	1					
26	F9970100	MANOMETRE PRİZİ	1					
27	80624018	NİPEL	2					
28	N030000005	O-RİNGLİ PUL	2					
29	F1822500	JOYSTİK, AYAK	1					
30	F3093531	AKÜMÜLATOR	1					
30	F3093532	AKÜMÜLATÖR	1	A			A	
31	N015890302	CIVATA	4					M6x16
32	N102001119	O-RİNGLİ PUL	6					
33	N16K310365	NİPEL	6					
34	N010380470	CIVATA	2					M8x70
35	N030810014	PUL	2					
36	02021473	SAC	1					
37	N010232822	CIVATA	4					M12x25
38	N030810001	PUL	4					M12
39	N163790031	T ADAPTÖR	2					
40	80699830	NİPEL	1					
41	N102001119	O-RİNGLİ PUL	12					
42	N163430808	NİPEL	5					
43	N16K310365	NİPEL	7					
44	N163790031	T ADAPTÖR	1					
45	N163790038	T ADAPTÖR	1					
46	N028320038	SOMUN	3					

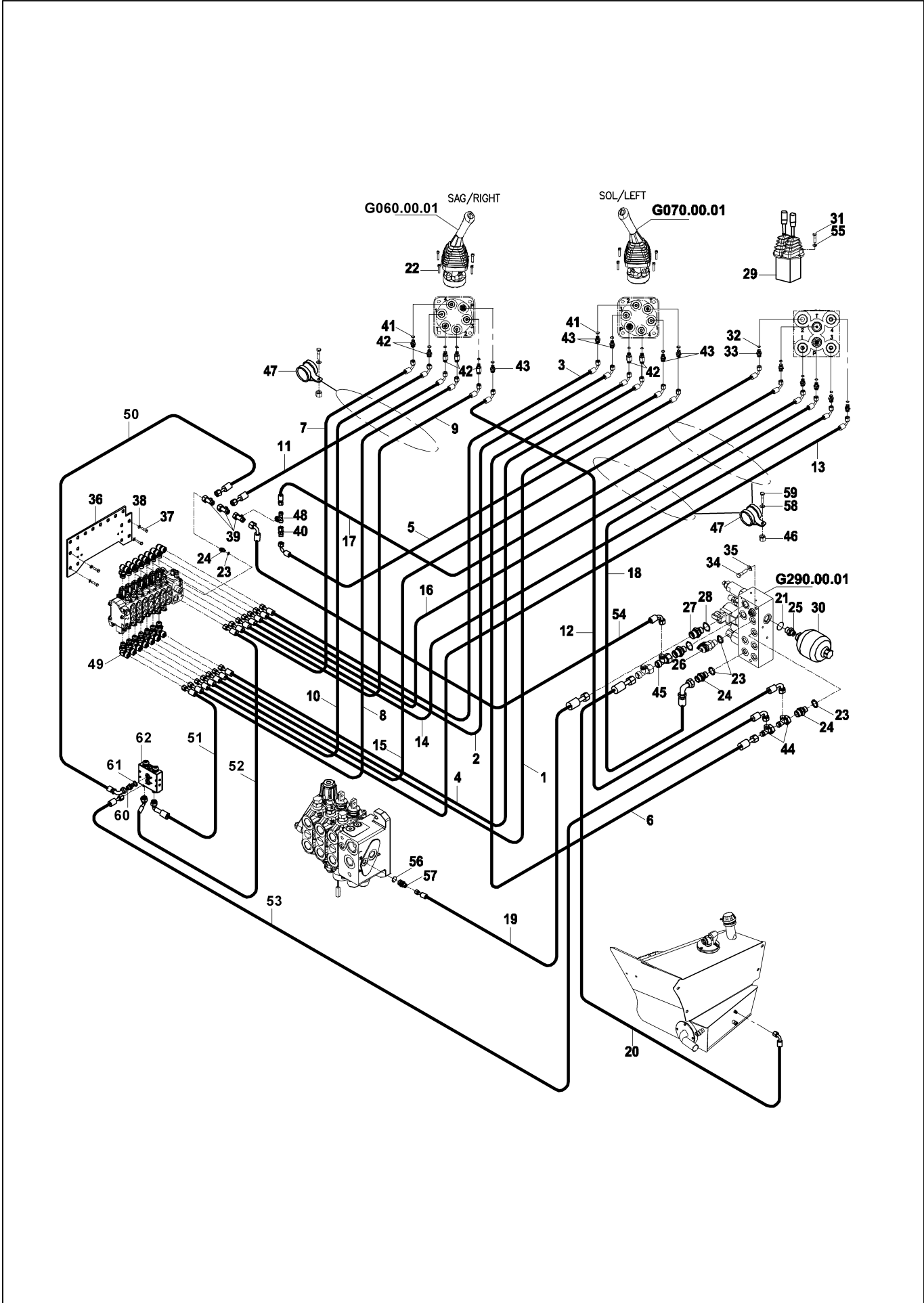
HİDROLİK TESİSAT, PİLOT (STD ARM & PİSTONLU POMPA) (TİP B) (OP) HYDRAULIC PIPING, PILOT (STD ARM & PISTON PUMP) (TYPE B) (OP)



HİDROLİK TESİSAT, PİLOT (STD ARM & PİSTONLU POMPA) (TİP B) (OP)
HYDRAULIC PIPING, PILOT (STD ARM & PISTON PUMP) (TYPE B) (OP)

No	Parça No	Parça Adı		Adet	S.K.	Bas.S.N	Bit.S.N	Y.K.	Not
No	Part no		Description	Qty	SC	S/N from	S/N to	ICA	Note
47	N077003500	KELEPÇE	CLAMP	3					
48	N163770031	T ADAPTÖR	TEE	1					
49	N163470400	DİRSEK	ELBOW	12					
50	81404060	TAPA	PLUG	2					
51	N030000004	O-RİNGLİ PUL	WASHER	2					
52	02002851	KAPAK SACI	COVER	1					
53	N044330506	VİDA	SCREW	4					
54	6631123115	HORTUM KOMPLESİ	HOSE ASS'Y	1					
55	N030100013	PUL	WASHER	4					
56	N030000004	O-RİNGLİ PUL	WASHER	1					
57	80624017	NİPEL	ADAPTER	1					
58	N030810014	PUL	WASHER	3					
59	N010232114	CIVATA	BOLT	3					M8x20

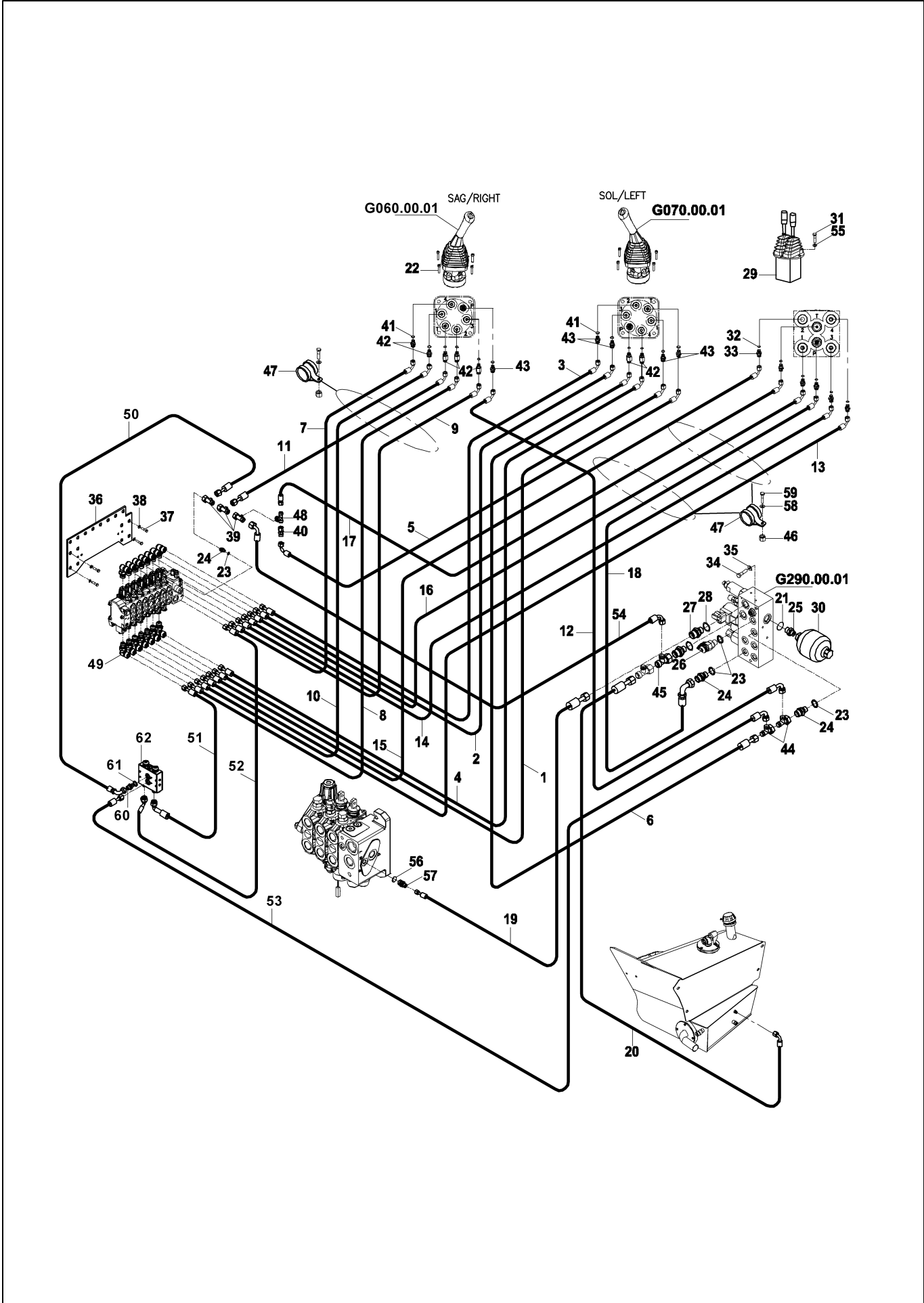
HİDROLİK TESİSAT, PİLOT (TELESKOPIK ARM & PİSTONLU POMPA) (TİP B) (OP)
HYDRAULIC PIPING, PILOT (TELESCOPIC ARM & PISTON PUMP) (TYPE B) (OP)



HİDROLİK TESİSAT, PİLOT (TELESKOPIK ARM & PİSTONLU POMPA) (TİP B) (OP)
HYDRAULIC PIPING, PILOT (TELESCOPIC ARM & PISTON PUMP) (TYPE B) (OP)

No	Parça No	Parça Adı	Adet	S.K.	Bas.S.N	Bit.S.N	Y.K.	Not
No	Part no	Description	Qty	SC	S/N from	S/N to	ICA	Note
1	6370021115	HORTUM KOMPLESİ	1					
2	6370021095	HORTUM KOMPLESİ	1					
3	6370021095	HORTUM KOMPLESİ	1					
4	6370021110	HORTUM KOMPLESİ	1					
5	6370025070	HORTUM KOMPLESİ	1					
6	6370024150	HORTUM KOMPLESİ	1					
7	6370021125	HORTUM KOMPLESİ	1					
8	6370021170	HORTUM KOMPLESİ	1					
9	6370021125	HORTUM KOMPLESİ	1					
10	6370021170	HORTUM KOMPLESİ	1					
11	6370021125	HORTUM KOMPLESİ	1					
12	6370024180	HORTUM KOMPLESİ	1					
13	6370026200	HORTUM KOMPLESİ	1					
14	6370026170	HORTUM KOMPLESİ	1					
15	6370026200	HORTUM KOMPLESİ	1					
16	6370026170	HORTUM KOMPLESİ	1					
17	6370026165	HORTUM KOMPLESİ	1					
18	6370028230	HORTUM KOMPLESİ	1					
19	6631120085	HORTUM KOMPLESİ	1				C	
20	6631121165	HORTUM KOMPLESİ	1					
21	N102001527	O-RİNG	1					
22	N015890362	CIVATA	8					M6x35
23	N030000004	O-RİNGLİ PUL	4					
24	N163430814	NİPEL	3					
25	80699991	NİPEL	1					
26	F9970100	MANOMETRE PRİZİ	1					
27	80624018	NİPEL	2					
28	N030000005	O-RİNGLİ PUL	2					
29	F1822500	JOYSTİK, AYAK	1					
30	F3093531	AKÜMÜLATOR	1					
30	F3093532	AKÜMÜLATÖR	1	A			A	
31	N015890302	CIVATA	4					M6x16
32	N102001119	O-RİNGLİ PUL	6					
33	N16K310365	NİPEL	6					
34	N010380470	CIVATA	2					M8x70
35	N030810014	PUL	2					
36	02021473	SAC	1					
37	N010232822	CIVATA	4					M12x25
38	N030810001	PUL	4					M12
39	N163790031	T ADAPTÖR	3					
40	80699830	NİPEL	1					
41	N102001119	O-RİNGLİ PUL	12					
42	N163430808	NİPEL	5					
43	N16K310365	NİPEL	7					
44	N163790031	T ADAPTÖR	2					
45	N163790038	T ADAPTÖR	1					
46	N028320038	SOMUN	3					

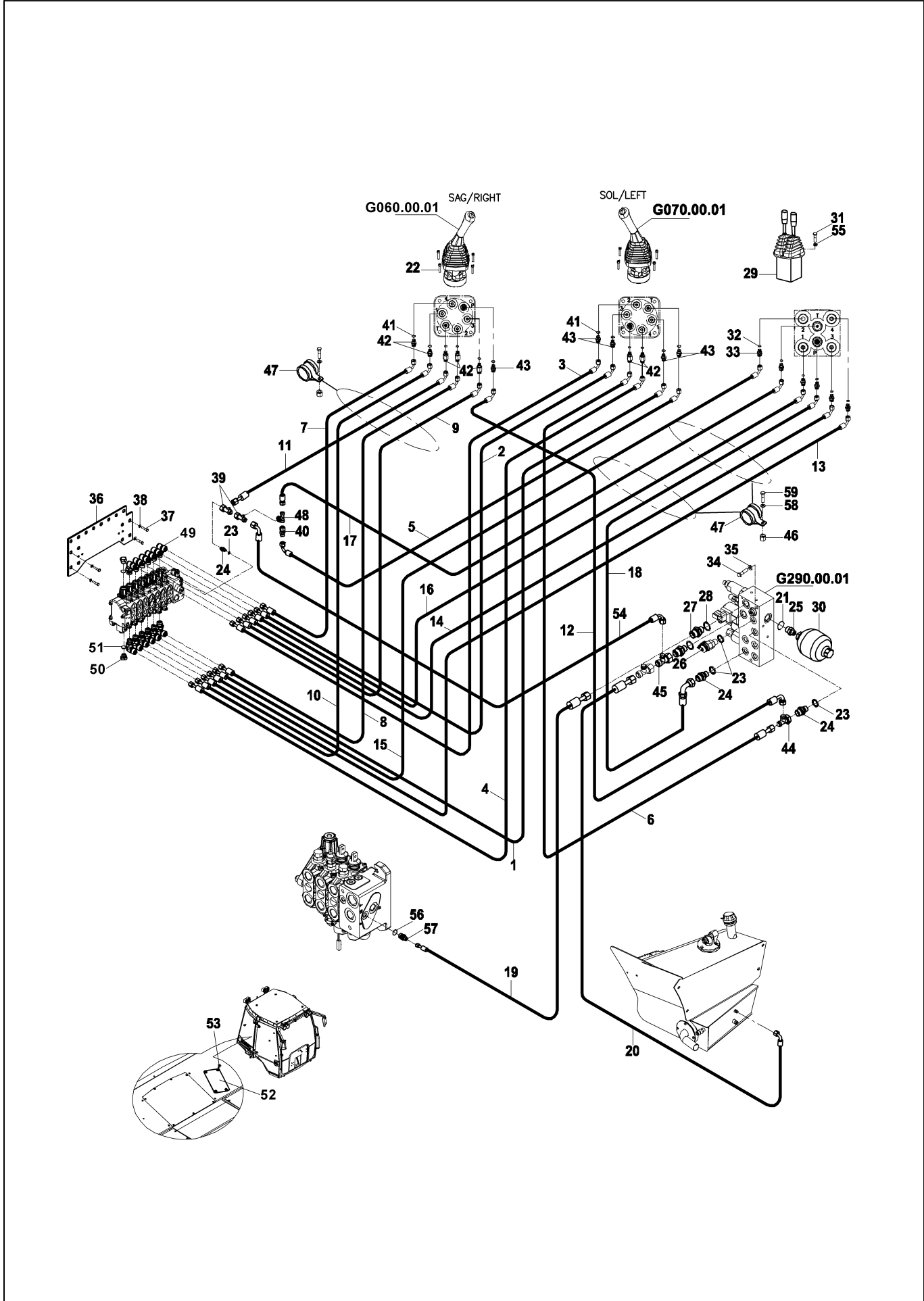
HİDROLİK TESİSAT, PİLOT (TELESKOPIK ARM & PİSTONLU POMPA) (TİP B) (OP) HYDRAULIC PIPING, PILOT (TELESCOPIC ARM & PISTON PUMP) (TYPE B) (OP)



HİDROLİK TESİSAT, PİLOT (TELESKOPIK ARM & PİSTONLU POMPA) (TİP B) (OP)
HYDRAULIC PIPING, PILOT (TELESCOPIC ARM & PISTON PUMP) (TYPE B) (OP)

No	Parça No	Parça Adı	Description	Adet	S.K.	Bas.S.N	Bit.S.N	Y.K.	Not
No	Part no			Qty	SC	S/N from	S/N to	ICA	Note
47	N077003500	KELEPÇE	CLAMP	3					
48	N163770031	T ADAPTÖR	TEE	1					
49	N163470400	DİRSEK	ELBOW	14					
50	6370021075	HORTUM KOMPLESİ	HOSE ASS'Y	1					
51	6370020045	HORTUM KOMPLESİ	HOSE ASS'Y	1					
52	6370021035	HORTUM KOMPLESİ	HOSE ASS'Y	1					
53	6370021060	HORTUM KOMPLESİ	HOSE ASS'Y	1					
54	6631123115	HORTUM KOMPLESİ	HOSE ASS'Y	1					
55	N030100013	PUL	WASHER	4					
56	N030000004	O-RİNGLİ PUL	WASHER	1					
57	80624017	NİPEL	ADAPTER	1					
58	N030810014	PUL	WASHER	3					
59	N010232114	CIVATA	BOLT	3					M8x20
60	N163430814	NİPEL	ADAPTER	4					
61	N030000004	O-RİNGLİ PUL	WASHER	4					
62	F1822631	ÇİFT TESİRLİ PEDAL VALFİ	DOUBLE ACTING PEDAL VALVE	1					

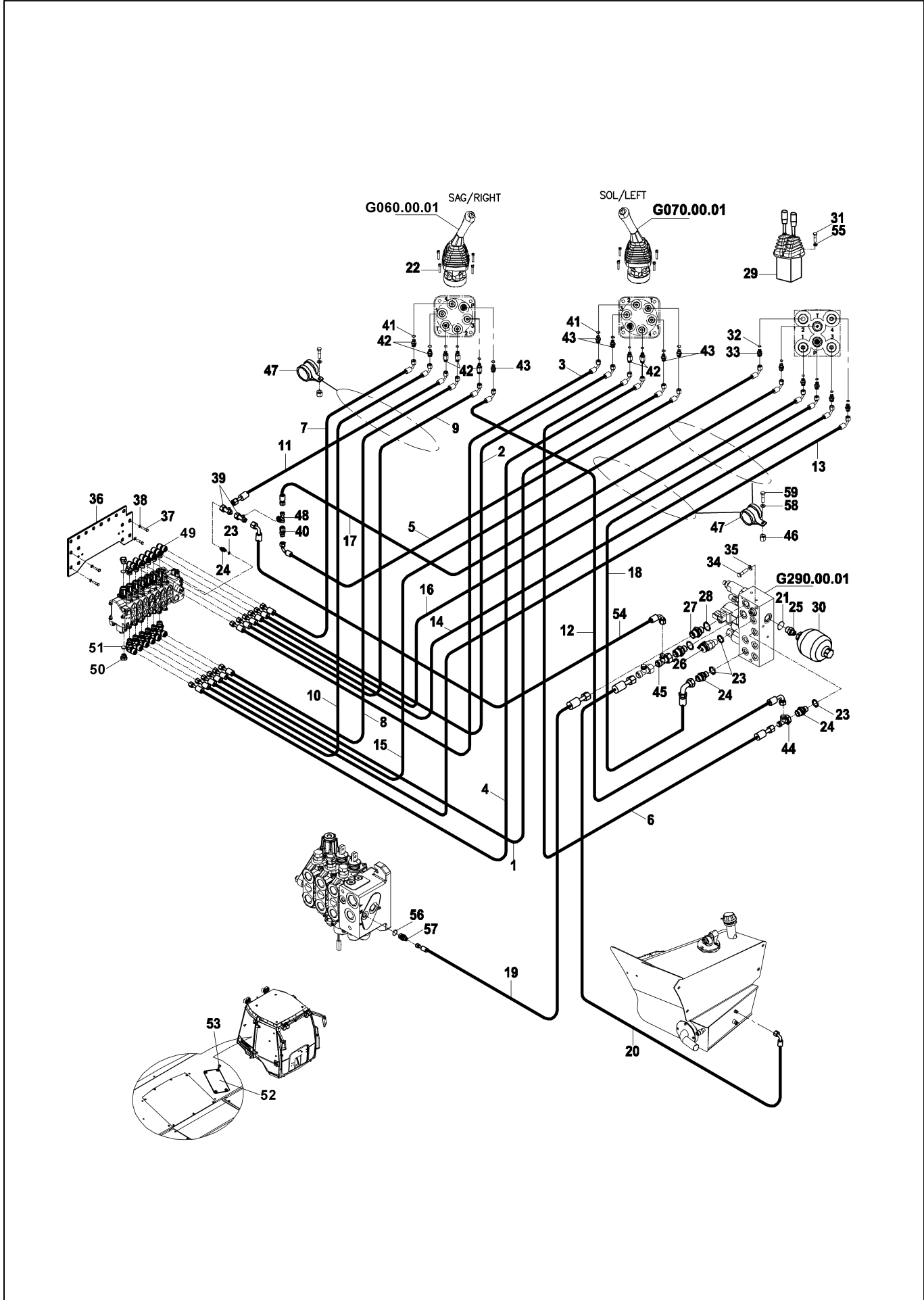
HİDROLİK TESİSAT, PİLOT (STD ARM & PİSTONLU POMPA & SOL EL) (TİP B) (OP)
HYDRAULIC PIPING, PILOT (STD ARM & PISTON PUMP & LEFT HAND) (TYPE B) (OP)



HİDROLİK TESİSAT, PİLOT (STD ARM & PİSTONLU POMPA & SOL EL) (TİP B) (OP)
HYDRAULIC PIPING, PILOT (STD ARM & PISTON PUMP & LEFT HAND) (TYPE B) (OP)

No	Parça No	Parça Adı	Adet	S.K.	Bas.S.N	Bit.S.N	Y.K.	Not
No	Part no	Description	Qty	SC	S/N from	S/N to	ICA	Note
1	6370021115	HORTUM KOMPLESİ	1					
2	6370021095	HORTUM KOMPLESİ	1					
3	6370021135	HORTUM KOMPLESİ	1					
4	6370021150	HORTUM KOMPLESİ	1					
5	6370025070	HORTUM KOMPLESİ	1					
6	6370024150	HORTUM KOMPLESİ	1					
7	6370021165	HORTUM KOMPLESİ	1					
8	6370021185	HORTUM KOMPLESİ	1					
9	6370021125	HORTUM KOMPLESİ	1					
10	6370021170	HORTUM KOMPLESİ	1					
11	6370021125	HORTUM KOMPLESİ	1					
12	6370024180	HORTUM KOMPLESİ	1					
13	6370026200	HORTUM KOMPLESİ	1					
14	6370026170	HORTUM KOMPLESİ	1					
15	6370026200	HORTUM KOMPLESİ	1					
16	6370026170	HORTUM KOMPLESİ	1					
17	6370026165	HORTUM KOMPLESİ	1					
18	6370028230	HORTUM KOMPLESİ	1					
19	6631120085	HORTUM KOMPLESİ	1				C	
20	6631122155	HORTUM KOMPLESİ	1					
21	N102001527	O-RİNG	1					
22	N015890362	CIVATA	8					M6x35
23	N030000004	O-RİNGLİ PUL	4					
24	N163430814	NİPEL	3					
25	80699991	NİPEL	1					
26	F9970100	MANOMETRE PRİZİ	1					
27	80624018	NİPEL	2					
28	N030000005	O-RİNGLİ PUL	2					
29	F1822500	JOYSTİK, AYAK	1					
30	F3093531	AKÜMÜLATOR	1					
30	F3093532	AKÜMÜLATÖR	1	A			A	
31	N015890302	CIVATA	4					M6x16
32	N102001119	O-RİNGLİ PUL	6					
33	N16K310365	NİPEL	6					
34	N010380470	CIVATA	2					M8x70
35	N030810014	PUL	2					
36	02021473	SAC	1					
37	N010232822	CIVATA	4					M12x25
38	N030810001	PUL	4					M12
39	N163790031	T ADAPTÖR	2					
40	80699830	NİPEL	1					
41	N102001119	O-RİNGLİ PUL	12					
42	N163430808	NİPEL	5					
43	N16K310365	NİPEL	7					
44	N163790031	T ADAPTÖR	1					
45	N163790038	T ADAPTÖR	1					
46	N028320038	SOMUN	3					

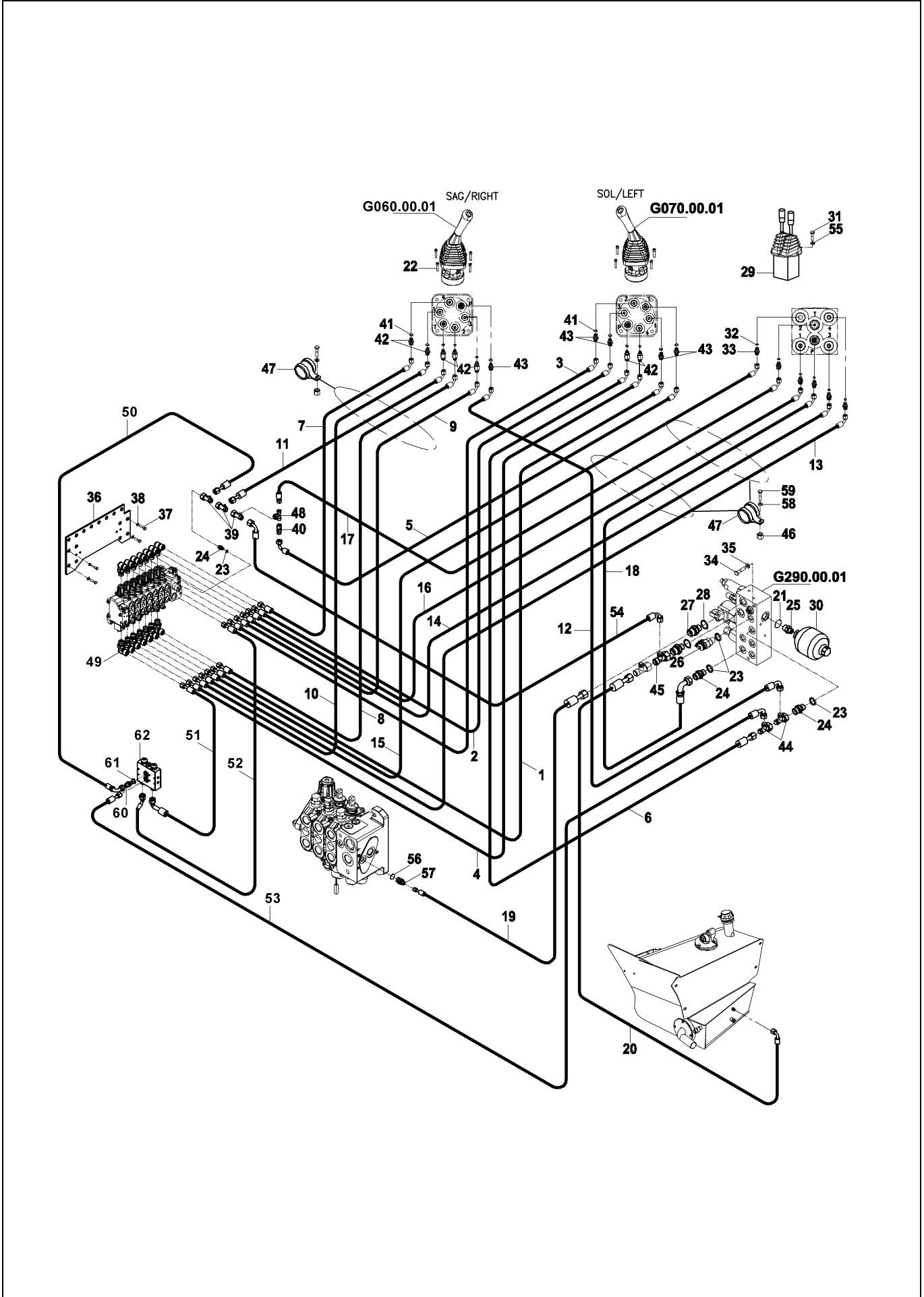
HİDROLİK TESİSAT, PİLOT (STD ARM & PİSTONLU POMPA & SOL EL) (TİP B) (OP)
HYDRAULIC PIPING, PILOT (STD ARM & PISTON PUMP & LEFT HAND) (TYPE B) (OP)



HİDROLİK TESİSAT, PİLOT (STD ARM & PİSTONLU POMPA & SOL EL) (TİP B) (OP)
HYDRAULIC PIPING, PILOT (STD ARM & PISTON PUMP & LEFT HAND) (TYPE B) (OP)

No	Parça No	Parça Adı	Description	Adet	S.K.	Bas.S.N	Bit.S.N	Y.K.	Not
No	Part no			Qty	SC	S/N from	S/N to	ICA	Note
47	N077003500	KELEPÇE	CLAMP	3					
48	N163770031	T ADAPTÖR	TEE	1					
49	N163470400	DİRSEK	ELBOW	12					
50	81404060	TAPA	PLUG	2					
51	N030000004	O-RİNGLİ PUL	WASHER	2					
52	02002851	KAPAK SACI	COVER	1					
53	N044330506	VİDA	SCREW	4					
54	6631123115	HORTUM KOMPLESİ	HOSE ASS'Y	1					
55	N030100013	PUL	WASHER	4					
56	N030000004	O-RİNGLİ PUL	WASHER	1					
57	80624017	NİPEL	ADAPTER	1					
58	N030810014	PUL	WASHER	3					
59	N010232114	CIVATA	BOLT	3					M8x20

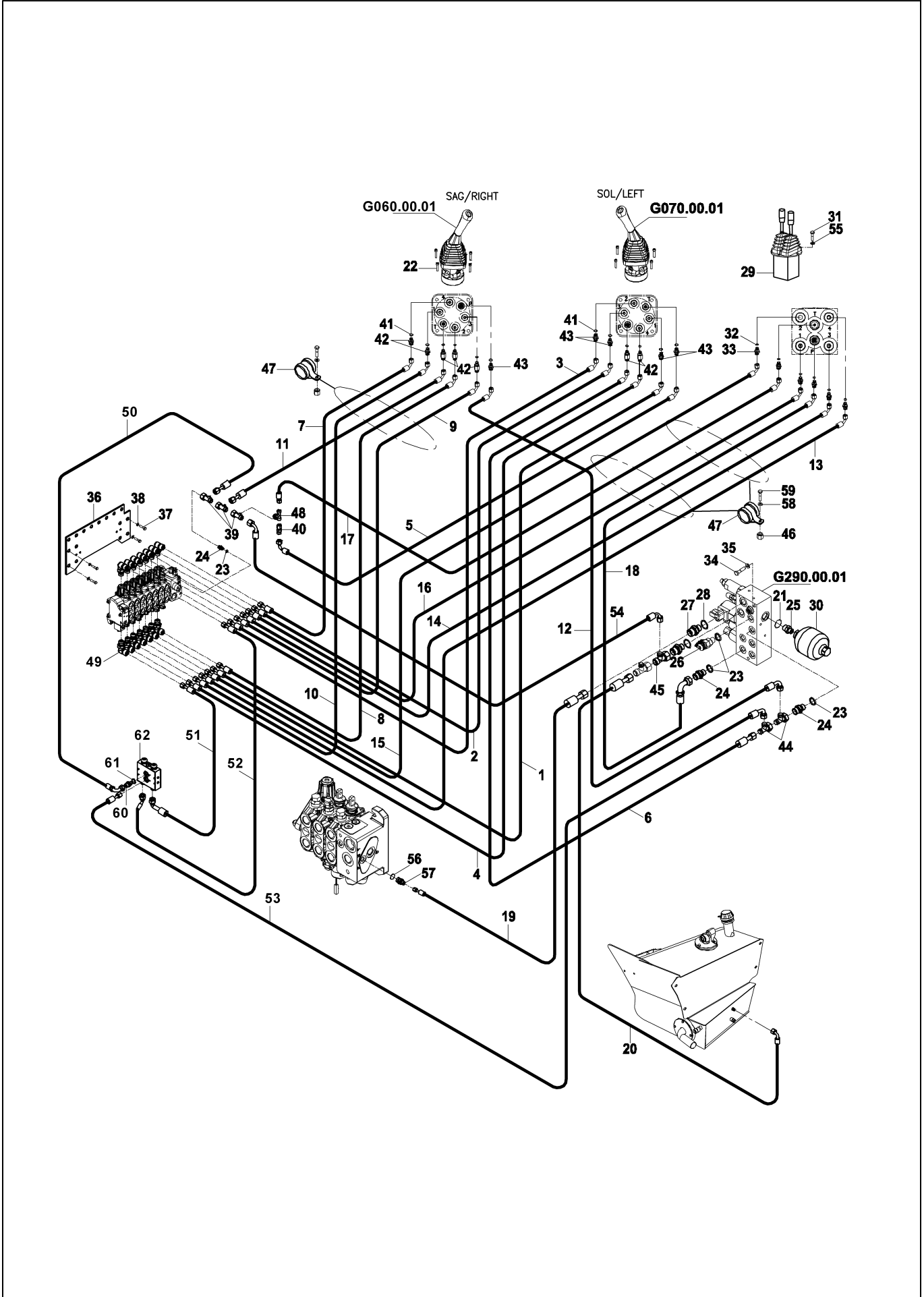
HİDROLİK TESİSAT, PİLOT (TELESKOPIK ARM & PİSTONLU POMPA & SOL EL) (TİP B) (OP)



HİDROLİK TESİSAT, PİLOT (TELESKOPIK ARM & PİSTONLU POMPA & SOL EL) (TİP B) (OP)

No	Parça No	Parça Adı	Adet	S.K.	Bas.S.N	Bit.S.N	Y.K.	Not
No	Part no	Description	Qty	SC	S/N from	S/N to	ICA	Note
1	6370021115	HORTUM KOMPLESİ	1					
2	6370021095	HORTUM KOMPLESİ	1					
3	6370021135	HORTUM KOMPLESİ	1					
4	6370021150	HORTUM KOMPLESİ	1					
5	6370025070	HORTUM KOMPLESİ	1					
6	6370024150	HORTUM KOMPLESİ	1					
7	6370021165	HORTUM KOMPLESİ	1					
8	6370021185	HORTUM KOMPLESİ	1					
9	6370021125	HORTUM KOMPLESİ	1					
10	6370021170	HORTUM KOMPLESİ	1					
11	6370021125	HORTUM KOMPLESİ	1					
12	6370024180	HORTUM KOMPLESİ	1					
13	6370026200	HORTUM KOMPLESİ	1					
14	6370026170	HORTUM KOMPLESİ	1					
15	6370026200	HORTUM KOMPLESİ	1					
16	6370026170	HORTUM KOMPLESİ	1					
17	6370026165	HORTUM KOMPLESİ	1					
18	6370028230	HORTUM KOMPLESİ	1					
19	6631120085	HORTUM KOMPLESİ	1				C	
20	6631121165	HORTUM KOMPLESİ	1					
21	N102001527	O-RİNG	1					
22	N015890362	CIVATA	8					M6x35
23	N030000004	O-RİNGLİ PUL	4					
24	N163430814	NİPEL	3					
25	80699991	NİPEL	1					
26	F9970100	MANOMETRE PRİZİ	1					
27	80624018	NİPEL	2					
28	N030000005	O-RİNGLİ PUL	2					
29	F1822500	JOYSTİK, AYAK	1					
30	F3093531	AKÜMÜLATOR	1					
30	F3093532	AKÜMÜLATÖR	1	A			A	
31	N015890302	CIVATA	4					M6x16
32	N102001119	O-RİNGLİ PUL	6					
33	N16K310365	NİPEL	6					
34	N010380470	CIVATA	2					M8x70
35	N030810014	PUL	2					
36	02021473	SAC	1					
37	N010232822	CIVATA	4					M12x25
38	N030810001	PUL	4					M12
39	N163790031	T ADAPTÖR	3					
40	80699830	NİPEL	1					
41	N102001119	O-RİNGLİ PUL	12					
42	N163430808	NİPEL	5					
43	N16K310365	NİPEL	7					
44	N163790031	T ADAPTÖR	2					
45	N163790038	T ADAPTÖR	1					
46	N028320038	SOMUN	3					

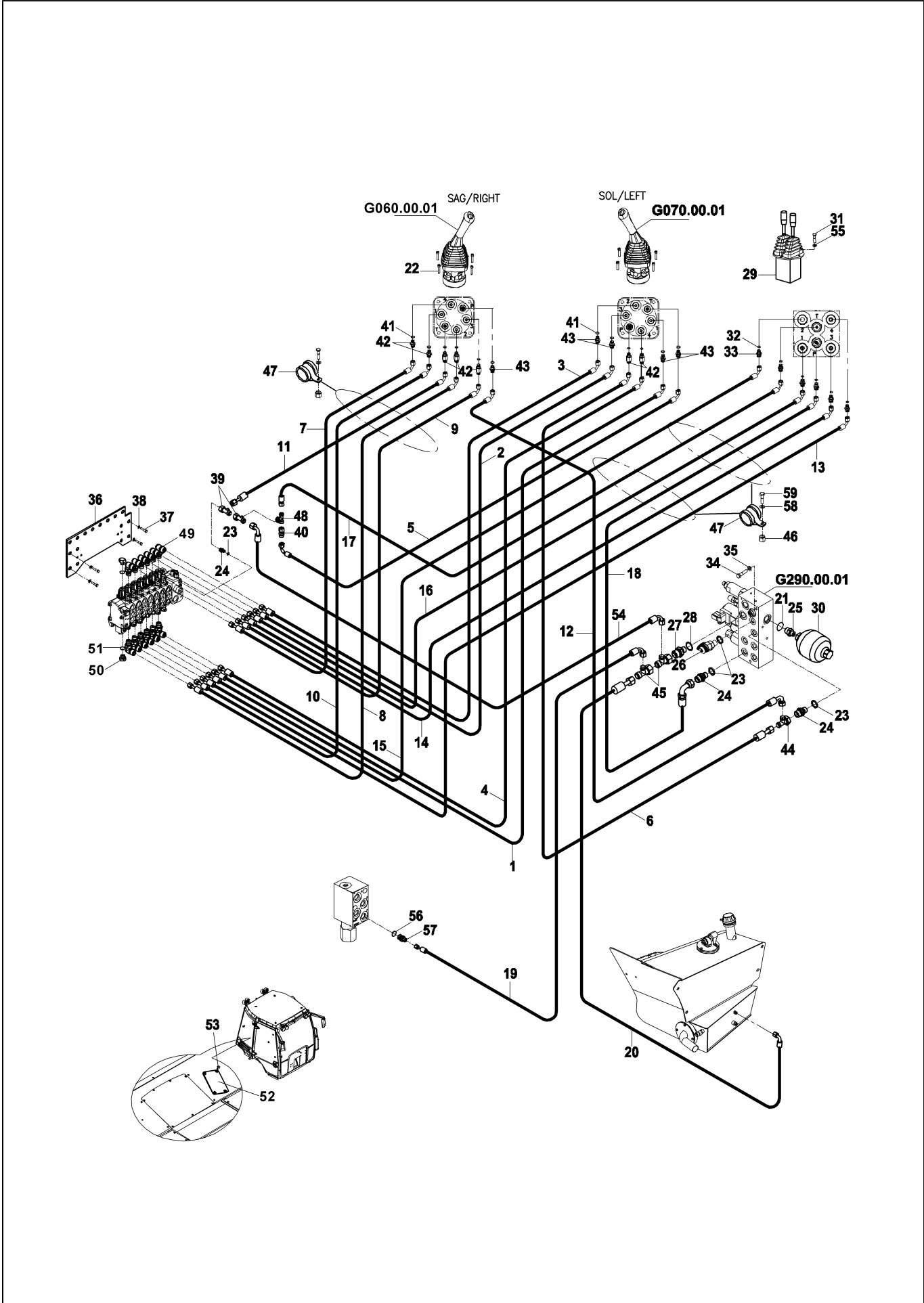
HİDROLİK TESİSAT, PİLOT (TELESKOPIK ARM & PİSTONLU POMPA & SOL EL) (TİP B) (OP)



**HİDROLİK TESİSAT, PİLOT (TELESKOPIK ARM & PİSTONLU POMPA & SOL EL) (TİP B)
(OP)**

No	Parça No	Parça Adı	Description	Adet	S.K.	Bas.S.N	Bit.S.N	Y.K.	Not
No	Part no			Qty	SC	S/N from	S/N to	ICA	Note
47	N077003500	KELEPÇE	CLAMP	3					
48	N163770031	T ADAPTÖR	TEE	1					
49	N163470400	DİRSEK	ELBOW	14					
50	6370021075	HORTUM KOMPLESİ	HOSE ASS'Y	1					
51	6370020045	HORTUM KOMPLESİ	HOSE ASS'Y	1					
52	6370021035	HORTUM KOMPLESİ	HOSE ASS'Y	1					
53	6370021060	HORTUM KOMPLESİ	HOSE ASS'Y	1					
54	6631123115	HORTUM KOMPLESİ	HOSE ASS'Y	1					
55	N030100013	PUL	WASHER	4					
56	N030000004	O-RİNGLİ PUL	WASHER	1					
57	80624017	NİPEL	ADAPTER	1					
58	N030810014	PUL	WASHER	3					
59	N010232114	CIVATA	BOLT	3					M8x20
60	N163430814	NİPEL	ADAPTER	4					
61	N030000004	O-RİNGLİ PUL	WASHER	4					
62	F1822631	ÇİFT TESİRLİ PEDAL VALFİ	DOUBLE ACTING PEDAL VALVE	1					

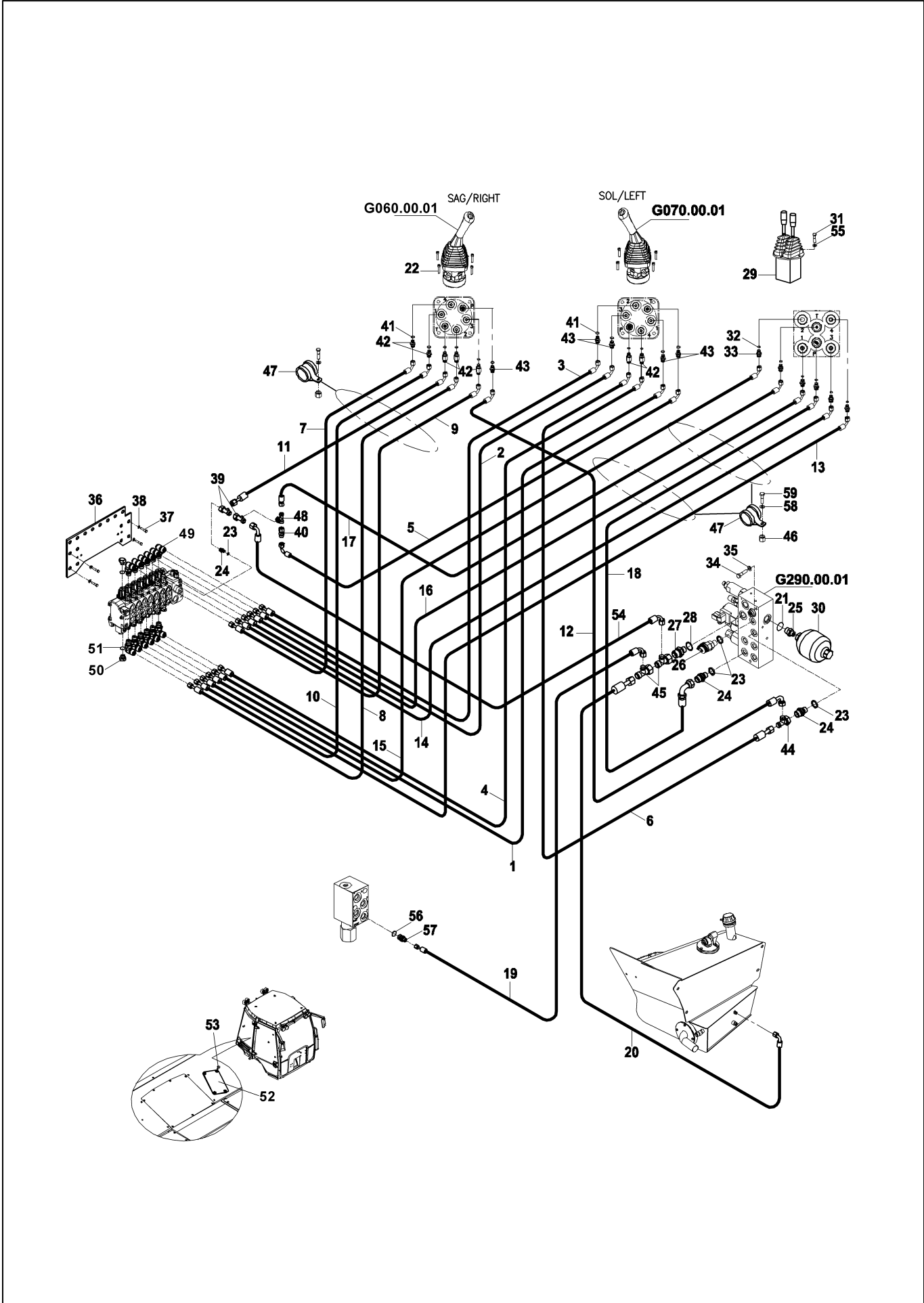
HİDROLİK TESİSAT, PİLOT (STD ARM & DİŞLİ POMPA) (TİP B) (OP) HYDRAULIC PIPING, PILOT (STD ARM & GEAR PUMP) (TYPE B) (OP)



HİDROLİK TESİSAT, PİLOT (STD ARM & DİŞLİ POMPA) (TİP B) (OP)
HYDRAULIC PIPING, PILOT (STD ARM & GEAR PUMP) (TYPE B) (OP)

No	Parça No	Parça Adı	Adet	S.K.	Bas.S.N	Bit.S.N	Y.K.	Not
No	Part no	Description	Qty	SC	S/N from	S/N to	ICA	Note
1	6370021115	HORTUM KOMPLESİ	1					
2	6370021095	HORTUM KOMPLESİ	1					
3	6370021095	HORTUM KOMPLESİ	1					
4	6370021110	HORTUM KOMPLESİ	1					
5	6370025070	HORTUM KOMPLESİ	1					
6	6370024150	HORTUM KOMPLESİ	1					
7	6370021125	HORTUM KOMPLESİ	1					
8	6370021170	HORTUM KOMPLESİ	1					
9	6370021125	HORTUM KOMPLESİ	1					
10	6370021170	HORTUM KOMPLESİ	1					
11	6370021125	HORTUM KOMPLESİ	1					
12	6370024180	HORTUM KOMPLESİ	1					
13	6370026200	HORTUM KOMPLESİ	1					
14	6370026170	HORTUM KOMPLESİ	1					
15	6370026200	HORTUM KOMPLESİ	1					
16	6370026170	HORTUM KOMPLESİ	1					
17	6370026165	HORTUM KOMPLESİ	1					
18	6370028230	HORTUM KOMPLESİ	1					
19	6631121165	HORTUM KOMPLESİ	1					
20	6631122155	HORTUM KOMPLESİ	1					
21	N102001527	O-RİNG	1					
22	N015890362	CIVATA	8					M6x35
23	N030000004	O-RİNGLİ PUL	4					
24	N163430814	NİPEL	3					
25	80699991	NİPEL	1					
26	F9970100	MANOMETRE PRİZİ	1					
27	80624018	NİPEL	1					
28	N030000005	O-RİNGLİ PUL	1					
29	F1822500	JOYSTİK, AYAK	1					
30	F3093531	AKÜMÜLATOR	1					
30	F3093532	AKÜMÜLATÖR	1	A			A	
31	N015890302	CIVATA	4					M6x16
32	N102001119	O-RİNGLİ PUL	6					
33	N16K310365	NİPEL	6					
34	N010380470	CIVATA	2					M8x70
35	N030810014	PUL	2					
36	02021473	SAC	1					
37	N010232822	CIVATA	4					M12x25
38	N030810001	PUL	4					M12
39	N163790031	T ADAPTÖR	2					
40	80699830	NİPEL	1					
41	N102001119	O-RİNGLİ PUL	12					
42	N163430808	NİPEL	5					
43	N16K310365	NİPEL	7					
44	N163790031	T ADAPTÖR	1					
45	N163790038	T ADAPTÖR	2					
46	N028320038	SOMUN	3					

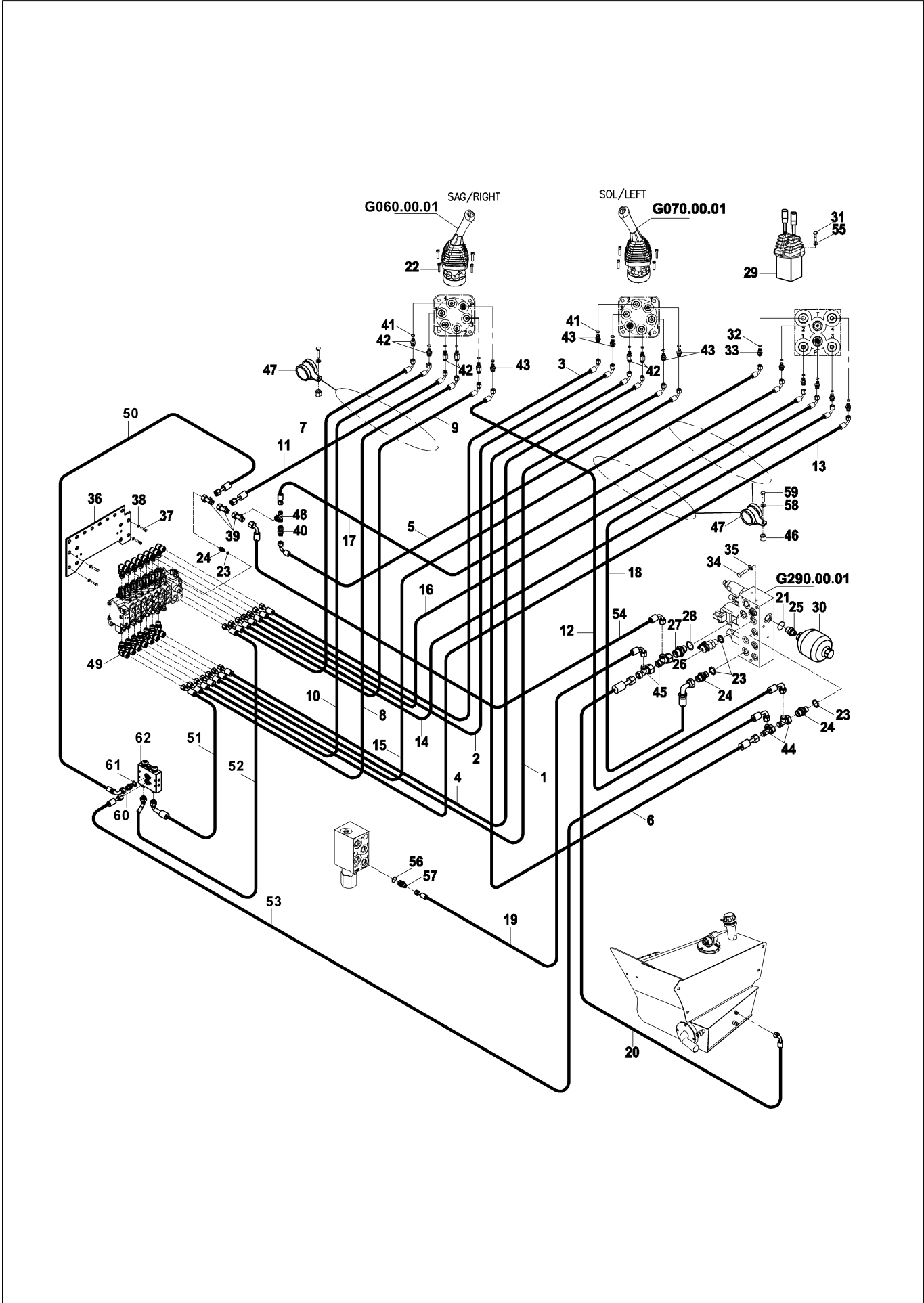
HİDROLİK TESİSAT, PİLOT (STD ARM & DİŞLİ POMPA) (TİP B) (OP) HYDRAULIC PIPING, PILOT (STD ARM & GEAR PUMP) (TYPE B) (OP)



HİDROLİK TESİSAT, PİLOT (STD ARM & DİŞLİ POMPA) (TİP B) (OP)
HYDRAULIC PIPING, PILOT (STD ARM & GEAR PUMP) (TYPE B) (OP)

No	Parça No	Parça Adı	Description	Adet	S.K.	Bas.S.N	Bit.S.N	Y.K.	Not
No	Part no			Qty	SC	S/N from	S/N to	ICA	Note
47	N077003500	KELEPÇE	CLAMP	3					
48	N163770031	T ADAPTÖR	TEE	1					
49	N163470400	DİRSEK	ELBOW	12					
50	81404060	TAPA	PLUG	2					
51	N030000004	O-RİNGLİ PUL	WASHER	2					
52	02002851	KAPAK SACI	COVER	1					
53	N044330506	VİDA	SCREW	4					
54	6631123115	HORTUM KOMPLESİ	HOSE ASS'Y	1					
55	N030100013	PUL	WASHER	4					
56	N102001119	O-RİNGLİ PUL	WASHER	1					
57	80624019	NİPEL	ADAPTER	1					
58	N030810014	PUL	WASHER	3					
59	N010232114	CIVATA	BOLT	3					M8x20

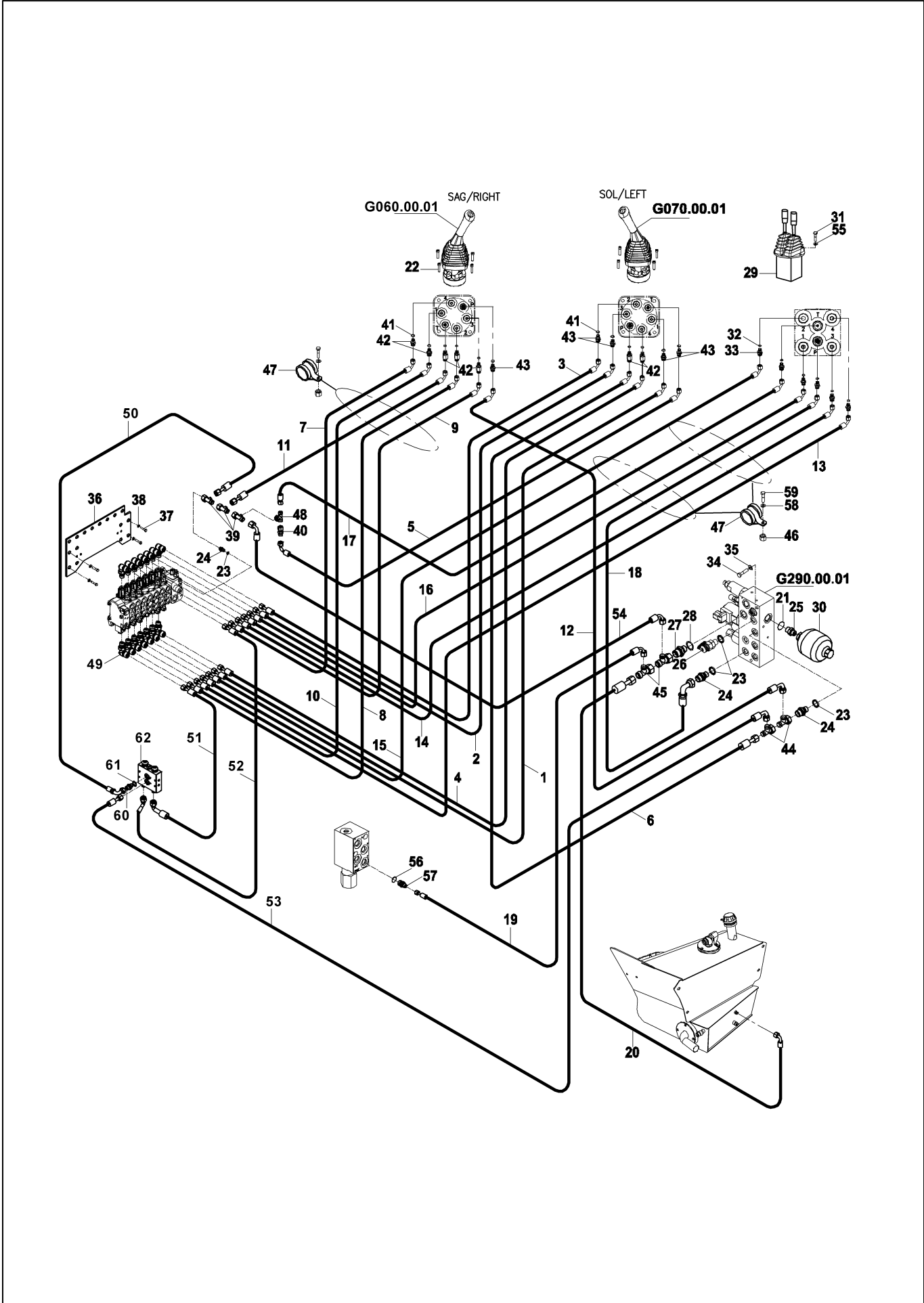
HİDROLİK TESİSAT, PİLOT (TELESKOPIK ARM & DİŞLİ POMPA) (TİP B) (OP) HYDRAULIC PIPING, PILOT (TELESCOPIC ARM & GEAR PUMP) (TYPE B) (OP)



HİDROLİK TESİSAT, PİLOT (TELESKOPIK ARM & DİŞLİ POMPA) (TİP B) (OP)
HYDRAULIC PIPING, PILOT (TELESCOPIC ARM & GEAR PUMP) (TYPE B) (OP)

No	Parça No	Parça Adı	Adet	S.K.	Bas.S.N	Bit.S.N	Y.K.	Not
No	Part no	Description	Qty	SC	S/N from	S/N to	ICA	Note
1	6370021115	HORTUM KOMPLESİ	1					
2	6370021095	HORTUM KOMPLESİ	1					
3	6370021095	HORTUM KOMPLESİ	1					
4	6370021110	HORTUM KOMPLESİ	1					
5	6370025070	HORTUM KOMPLESİ	1					
6	6370024150	HORTUM KOMPLESİ	1					
7	6370021125	HORTUM KOMPLESİ	1					
8	6370021170	HORTUM KOMPLESİ	1					
9	6370021125	HORTUM KOMPLESİ	1					
10	6370021170	HORTUM KOMPLESİ	1					
11	6370021125	HORTUM KOMPLESİ	1					
12	6370024180	HORTUM KOMPLESİ	1					
13	6370026200	HORTUM KOMPLESİ	1					
14	6370026170	HORTUM KOMPLESİ	1					
15	6370026200	HORTUM KOMPLESİ	1					
16	6370026170	HORTUM KOMPLESİ	1					
17	6370026165	HORTUM KOMPLESİ	1					
18	6370028230	HORTUM KOMPLESİ	1					
19	6631121165	HORTUM KOMPLESİ	1					
20	6631121165	HORTUM KOMPLESİ	1					
21	N102001527	O-RİNG	1					
22	N015890362	CIVATA	8					M6x35
23	N030000004	O-RİNGLİ PUL	4					
24	N163430814	NİPEL	3					
25	80699991	NİPEL	1					
26	F9970100	MANOMETRE PRİZİ	1					
27	80624018	NİPEL	1					
28	N030000005	O-RİNGLİ PUL	1					
29	F1822500	JOYSTİK, AYAK	1					
30	F3093531	AKÜMÜLATOR	1					
30	F3093532	AKÜMÜLATÖR	1	A			A	
31	N015890302	CIVATA	4					M6x16
32	N102001119	O-RİNGLİ PUL	6					
33	N16K310365	NİPEL	6					
34	N010380470	CIVATA	2					M8x70
35	N030810014	PUL	2					
36	02021473	SAC	1					
37	N010232822	CIVATA	4					M12x25
38	N030810001	PUL	4					M12
39	N163790031	T ADAPTÖR	3					
40	80699830	NİPEL	1					
41	N102001119	O-RİNGLİ PUL	12					
42	N163430808	NİPEL	5					
43	N16K310365	NİPEL	7					
44	N163790031	T ADAPTÖR	2					
45	N163790038	T ADAPTÖR	2					
46	N028320038	SOMUN	3					

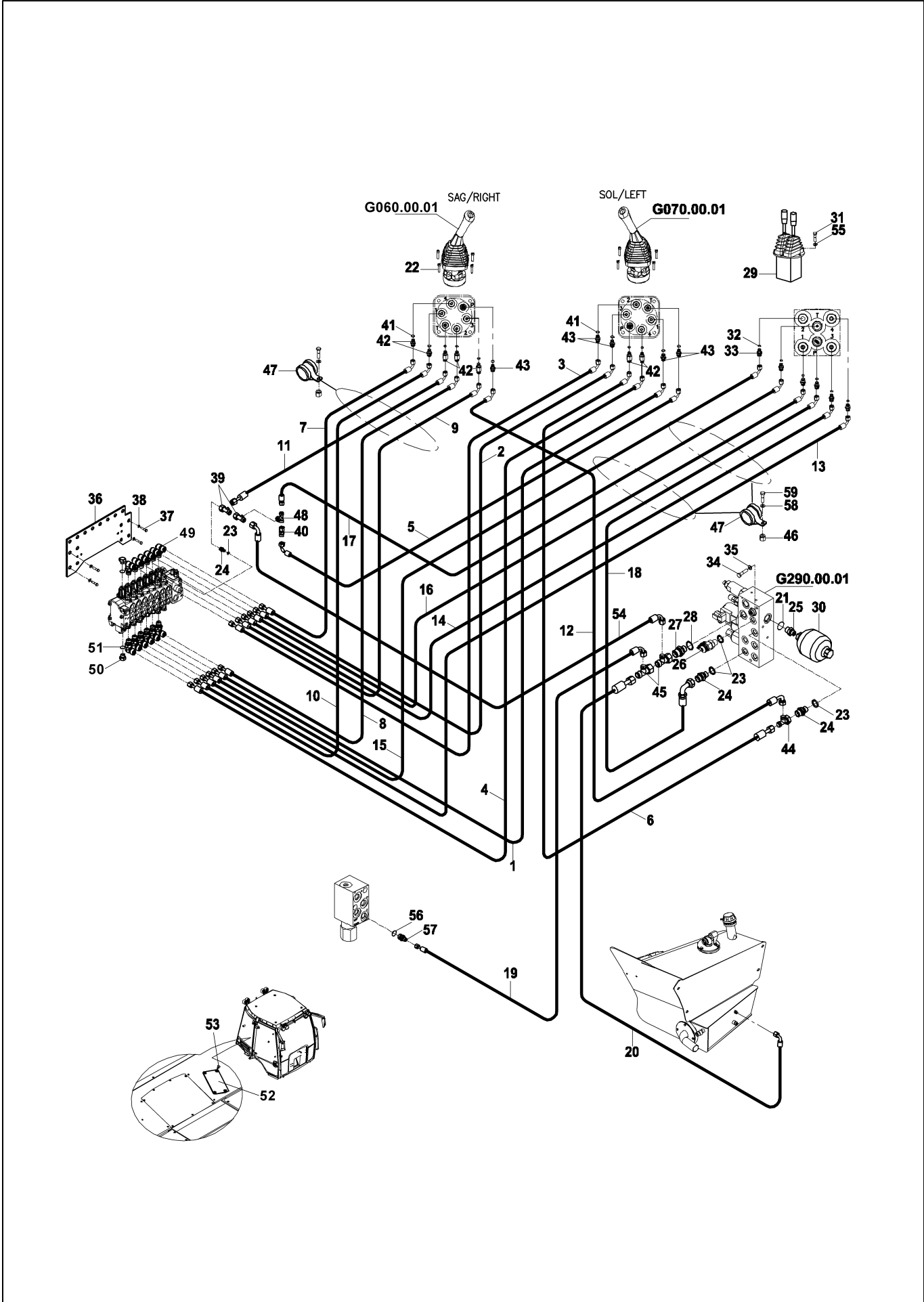
HİDROLİK TESİSAT, PİLOT (TELESKOPIK ARM & DİŞLİ POMPA) (TİP B) (OP) HYDRAULIC PIPING, PILOT (TELESCOPIC ARM & GEAR PUMP) (TYPE B) (OP)



HİDROLİK TESİSAT, PİLOT (TELESKOPIK ARM & DİŞLİ POMPA) (TİP B) (OP)
HYDRAULIC PIPING, PILOT (TELESCOPIC ARM & GEAR PUMP) (TYPE B) (OP)

No	Parça No	Parça Adı	Description	Adet	S.K.	Bas.S.N	Bit.S.N	Y.K.	Not
No	Part no			Qty	SC	S/N from	S/N to	ICA	Note
47	N077003500	KELEPÇE	CLAMP	3					
48	N163770031	T ADAPTÖR	TEE	1					
49	N163470400	DİRSEK	ELBOW	14					
50	6370021075	HORTUM KOMPLESİ	HOSE ASS'Y	1					
51	6370020045	HORTUM KOMPLESİ	HOSE ASS'Y	1					
52	6370021035	HORTUM KOMPLESİ	HOSE ASS'Y	1					
53	6370021060	HORTUM KOMPLESİ	HOSE ASS'Y	1					
54	6631123115	HORTUM KOMPLESİ	HOSE ASS'Y	1					
55	N030100013	PUL	WASHER	4					
56	N102001119	O-RİNGLİ PUL	WASHER	1					
57	80624019	NİPEL	ADAPTER	1					
58	N030810014	PUL	WASHER	3					
59	N010232114	CIVATA	BOLT	3					M8x20
60	N163430814	NİPEL	ADAPTER	4					
61	N030000004	O-RİNGLİ PUL	WASHER	4					
62	F1822631	ÇİFT TESİRLİ PEDAL VALFİ	DOUBLE ACTING PEDAL VALVE	1					

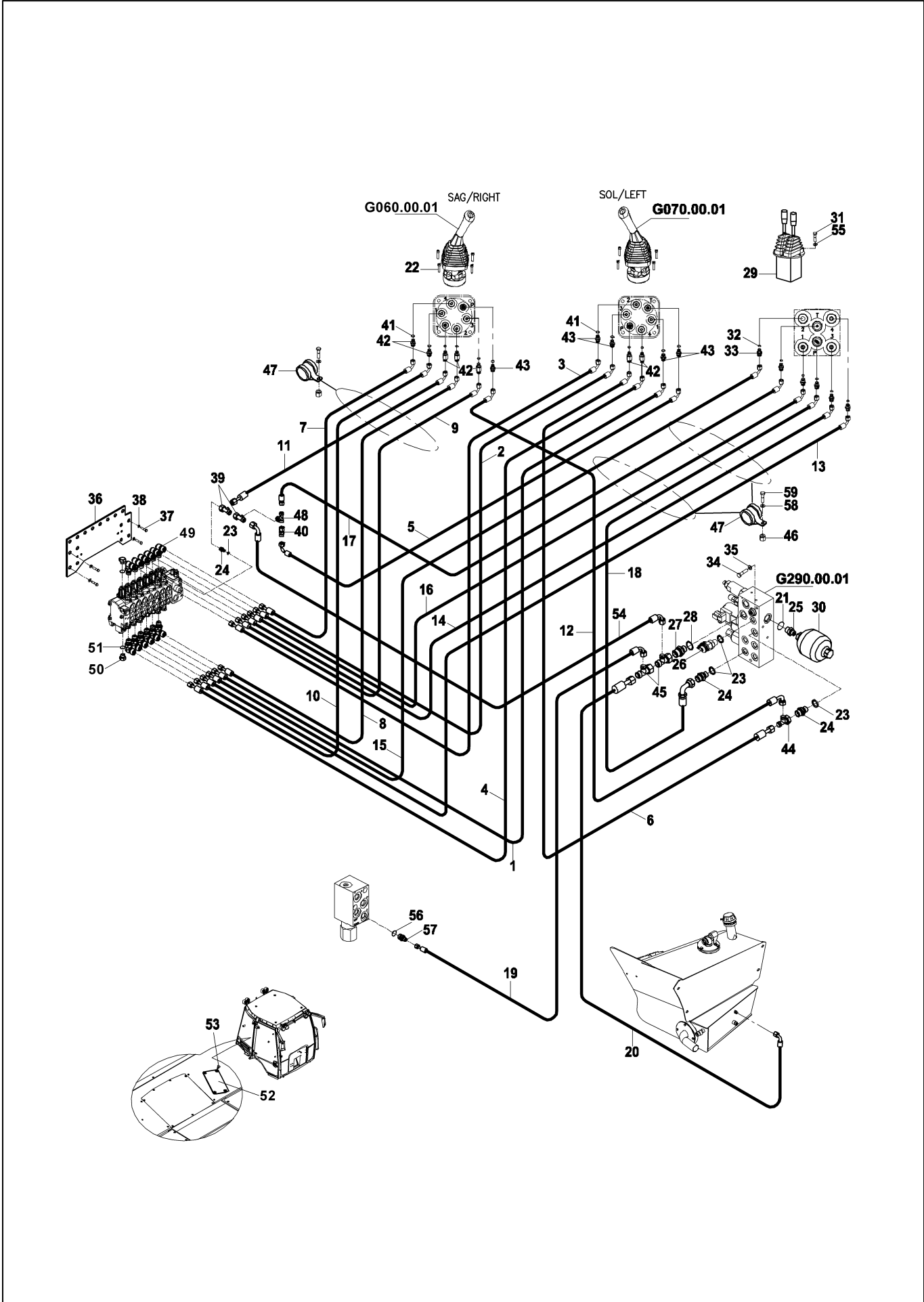
HİDROLİK TESİSAT, PİLOT (STD ARM & DİŞLİ POMPA & SOL EL) (TİP B) (OP) HYDRAULIC PIPING, PILOT (STD ARM & GEAR PUMP & LEFT HAND) (TYPE B) (OP)



HİDROLİK TESİSAT, PİLOT (STD ARM & DIŞLI POMPA & SOL EL) (TİP B) (OP)
HYDRAULIC PIPING, PILOT (STD ARM & GEAR PUMP & LEFT HAND) (TYPE B) (OP)

No	Parça No	Parça Adı	Adet	S.K.	Bas.S.N	Bit.S.N	Y.K.	Not
No	Part no	Description	Qty	SC	S/N from	S/N to	ICA	Note
1	6370021115	HORTUM KOMPLESİ	1					
2	6370021095	HORTUM KOMPLESİ	1					
3	6370021135	HORTUM KOMPLESİ	1					
4	6370021150	HORTUM KOMPLESİ	1					
5	6370025070	HORTUM KOMPLESİ	1					
6	6370024150	HORTUM KOMPLESİ	1					
7	6370021165	HORTUM KOMPLESİ	1					
8	6370021185	HORTUM KOMPLESİ	1					
9	6370021125	HORTUM KOMPLESİ	1					
10	6370021170	HORTUM KOMPLESİ	1					
11	6370021125	HORTUM KOMPLESİ	1					
12	6370024180	HORTUM KOMPLESİ	1					
13	6370026200	HORTUM KOMPLESİ	1					
14	6370026170	HORTUM KOMPLESİ	1					
15	6370026200	HORTUM KOMPLESİ	1					
16	6370026170	HORTUM KOMPLESİ	1					
17	6370026165	HORTUM KOMPLESİ	1					
18	6370028230	HORTUM KOMPLESİ	1					
19	6631121165	HORTUM KOMPLESİ	1					
20	6631122155	HORTUM KOMPLESİ	1					
21	N102001527	O-RİNG	1					
22	N015890362	CIVATA	8					M6x35
23	N030000004	O-RİNGLİ PUL	4					
24	N163430814	NİPEL	3					
25	80699991	NİPEL	1					
26	F9970100	MANOMETRE PRİZİ	1					
27	80624018	NİPEL	1					
28	N030000005	O-RİNGLİ PUL	1					
29	F1822500	JOYSTİK, AYAK	1					
30	F3093531	AKÜMÜLATOR	1					
30	F3093532	AKÜMÜLATÖR	1	A			A	
31	N015890302	CIVATA	4					M6x16
32	N102001119	O-RİNGLİ PUL	6					
33	N16K310365	NİPEL	6					
34	N010380470	CIVATA	2					M8x70
35	N030810014	PUL	2					
36	02021473	SAC	1					
37	N010232822	CIVATA	4					M12x25
38	N030810001	PUL	4					M12
39	N163790031	T ADAPTÖR	2					
40	80699830	NİPEL	1					
41	N102001119	O-RİNGLİ PUL	12					
42	N163430808	NİPEL	5					
43	N16K310365	NİPEL	7					
44	N163790031	T ADAPTÖR	1					
45	N163790038	T ADAPTÖR	2					
46	N028320038	SOMUN	3					

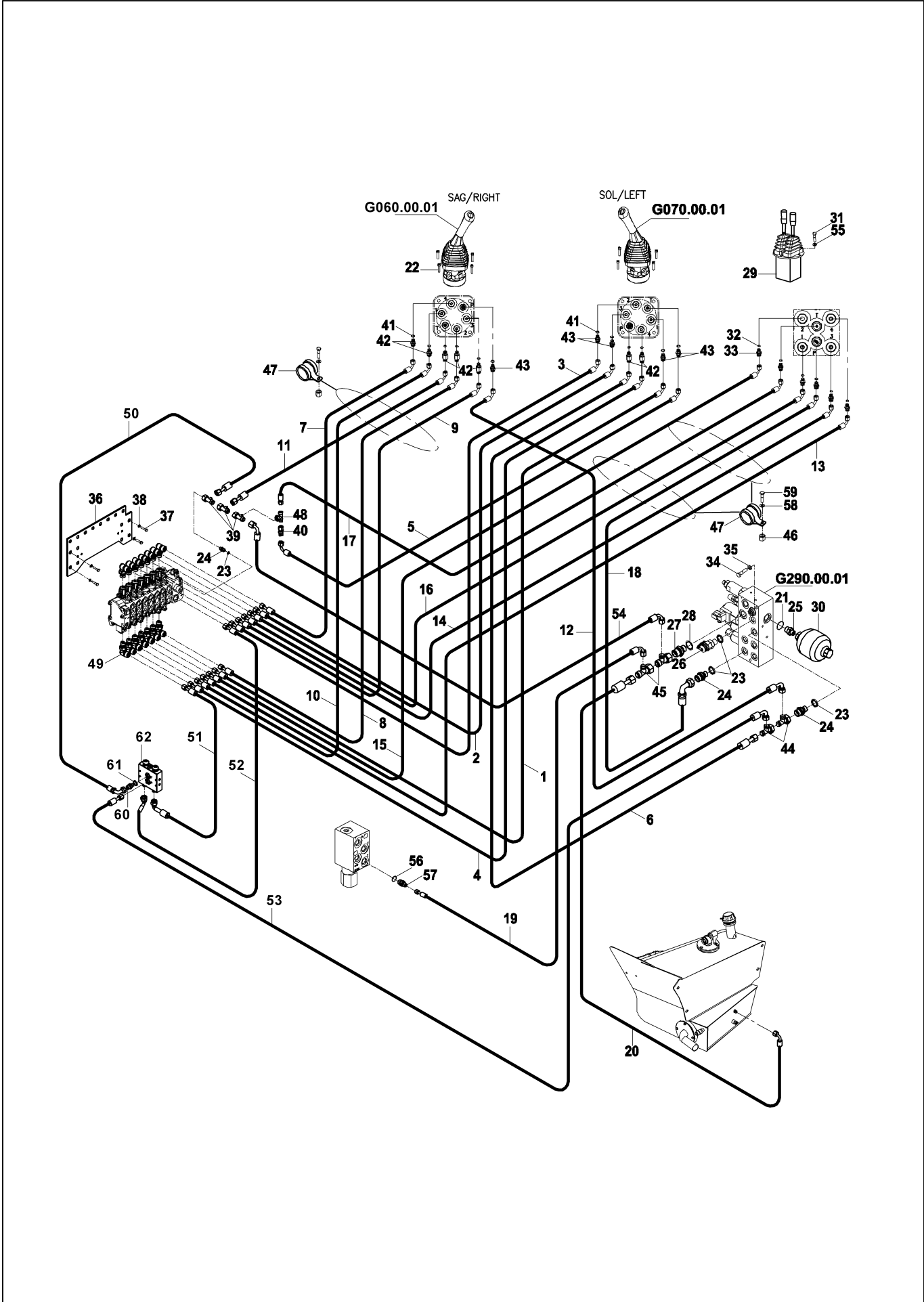
HİDROLİK TESİSAT, PİLOT (STD ARM & DİŞLİ POMPA & SOL EL) (TİP B) (OP)
HYDRAULIC PIPING, PILOT (STD ARM & GEAR PUMP & LEFT HAND) (TYPE B) (OP)



HİDROLİK TESİSAT, PİLOT (STD ARM & DİŞLİ POMPA & SOL EL) (TİP B) (OP)
HYDRAULIC PIPING, PILOT (STD ARM & GEAR PUMP & LEFT HAND) (TYPE B) (OP)

No	Parça No	Parça Adı		Adet	S.K.	Bas.S.N	Bit.S.N	Y.K.	Not
No	Part no		Description	Qty	SC	S/N from	S/N to	ICA	Note
47	N077003500	KELEPÇE	CLAMP	3					
48	N163770031	T ADAPTÖR	TEE	1					
49	N163470400	DİRSEK	ELBOW	12					
50	81404060	TAPA	PLUG	2					
51	N030000004	O-RİNGLİ PUL	WASHER	2					
52	02002851	KAPAK SACI	COVER	1					
53	N044330506	VİDA	SCREW	4					
54	6631123115	HORTUM KOMPLESİ	HOSE ASS'Y	1					
55	N030100013	PUL	WASHER	4					
56	N102001119	O-RİNGLİ PUL	WASHER	1					
57	80624019	NİPEL	ADAPTER	1					
58	N030810014	PUL	WASHER	3					
59	N010232114	CIVATA	BOLT	3					M8x20

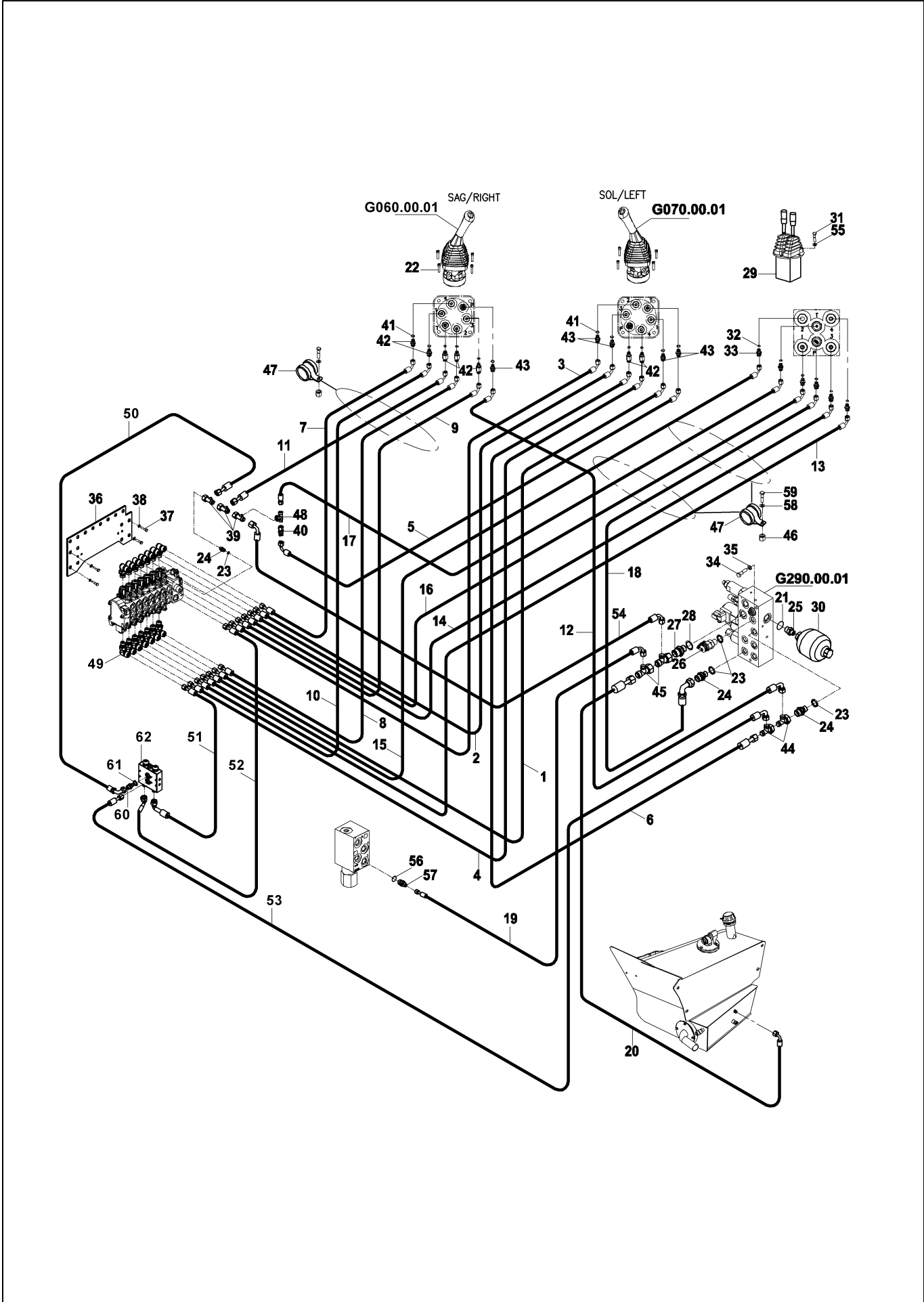
HİDROLİK TESİSAT, PİLOT (TELESKOPIK ARM & DİŞLİ POMPA & SOL EL) (TİP B) (OP)
HYDRAULIC PIPING, PILOT (TELESCOPIC ARM & GEAR PUMP & LEFT HAND) (TYPE



HİDROLİK TESİSAT, PİLOT (TELESKOPIK ARM & DİŞLİ POMPA & SOL EL) (TİP B) (OP)
HYDRAULIC PIPING, PILOT (TELESCOPIC ARM & GEAR PUMP & LEFT HAND) (TYPE

No	Parça No	Parça Adı	Adet	S.K.	Bas.S.N	Bit.S.N	Y.K.	Not
No	Part no	Description	Qty	SC	S/N from	S/N to	ICA	Note
1	6370021115	HORTUM KOMPLESİ	1					
2	6370021095	HORTUM KOMPLESİ	1					
3	6370021135	HORTUM KOMPLESİ	1					
4	6370021150	HORTUM KOMPLESİ	1					
5	6370025070	HORTUM KOMPLESİ	1					
6	6370024150	HORTUM KOMPLESİ	1					
7	6370021165	HORTUM KOMPLESİ	1					
8	6370021185	HORTUM KOMPLESİ	1					
9	6370021125	HORTUM KOMPLESİ	1					
10	6370021170	HORTUM KOMPLESİ	1					
11	6370021125	HORTUM KOMPLESİ	1					
12	6370024180	HORTUM KOMPLESİ	1					
13	6370026200	HORTUM KOMPLESİ	1					
14	6370026170	HORTUM KOMPLESİ	1					
15	6370026200	HORTUM KOMPLESİ	1					
16	6370026170	HORTUM KOMPLESİ	1					
17	6370026165	HORTUM KOMPLESİ	1					
18	6370028230	HORTUM KOMPLESİ	1					
19	6631121165	HORTUM KOMPLESİ	1					
20	6631121165	HORTUM KOMPLESİ	1					
21	N102001527	O-RİNG	1					
22	N015890362	CIVATA	8					M6x35
23	N030000004	O-RİNGLİ PUL	4					
24	N163430814	NİPEL	3					
25	80699991	NİPEL	1					
26	F9970100	MANOMETRE PRİZİ	1					
27	80624018	NİPEL	1					
28	N030000005	O-RİNGLİ PUL	1					
29	F1822500	JOYSTİK, AYAK	1					
30	F3093531	AKÜMÜLATOR	1					
30	F3093532	AKÜMÜLATÖR	1	A			A	
31	N015890302	CIVATA	4					M6x16
32	N102001119	O-RİNGLİ PUL	6					
33	N16K310365	NİPEL	6					
34	N010380470	CIVATA	2					M8x70
35	N030810014	PUL	2					
36	02021473	SAC	1					
37	N010232822	CIVATA	4					M12x25
38	N030810001	PUL	4					M12
39	N163790031	T ADAPTÖR	3					
40	80699830	NİPEL	1					
41	N102001119	O-RİNGLİ PUL	12					
42	N163430808	NİPEL	5					
43	N16K310365	NİPEL	7					
44	N163790031	T ADAPTÖR	2					
45	N163790038	T ADAPTÖR	2					
46	N028320038	SOMUN	3					

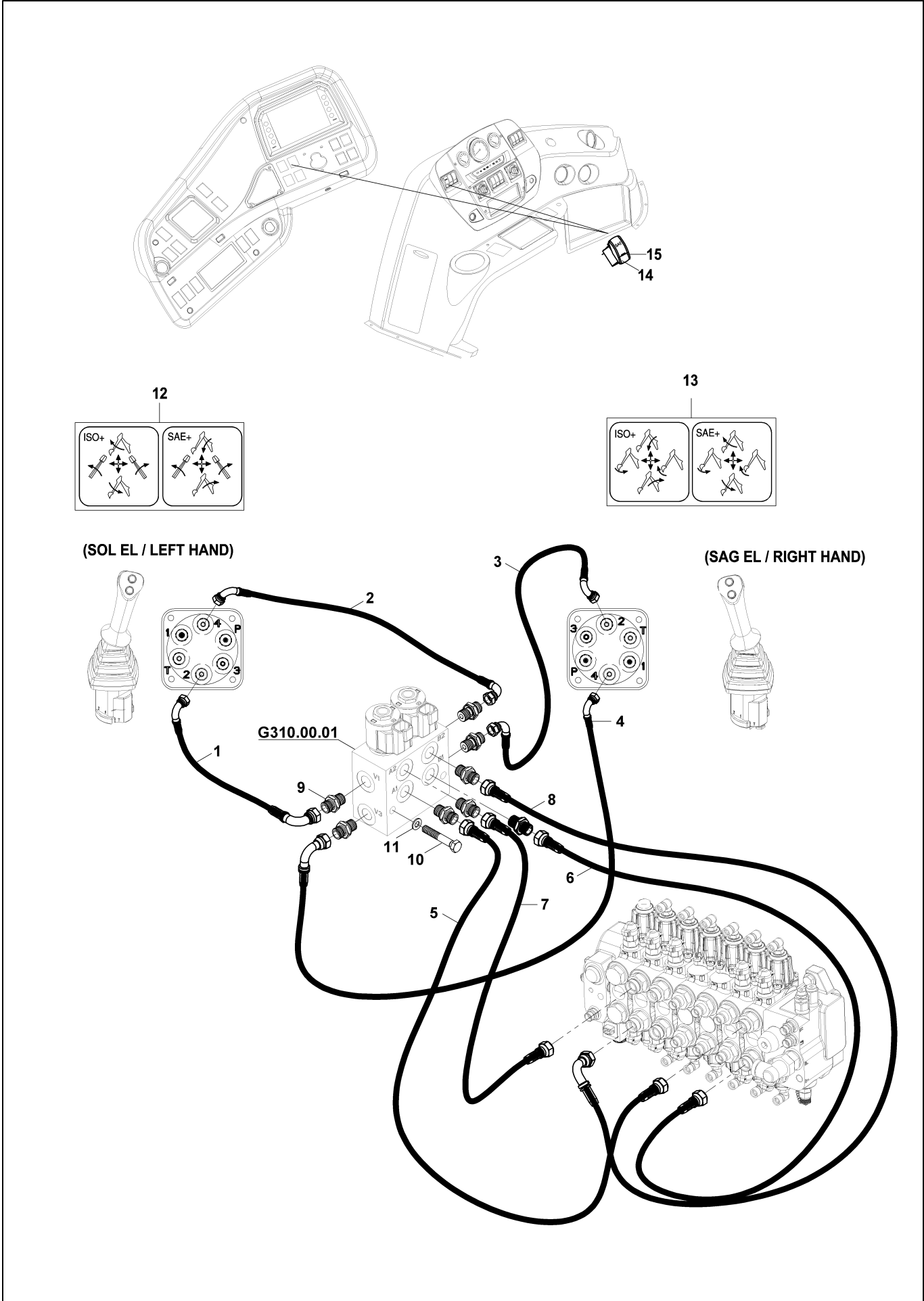
HİDROLİK TESİSAT, PİLOT (TELESKOPIK ARM & DİŞLİ POMPA & SOL EL) (TİP B) (OP)
HYDRAULIC PIPING, PILOT (TELESCOPIC ARM & GEAR PUMP & LEFT HAND) (TYPE



**HİDROLİK TESİSAT, PİLOT (TELESKOPIK ARM & DİŞLİ POMPA & SOL EL) (TİP B) (OP)
HYDRAULIC PIPING, PILOT (TELESCOPIC ARM & GEAR PUMP & LEFT HAND) (TYPE**

No	Parça No	Parça Adı	Description	Adet	S.K.	Bas.S.N	Bit.S.N	Y.K.	Not
No	Part no			Qty	SC	S/N from	S/N to	ICA	Note
47	N077003500	KELEPÇE	CLAMP	3					
48	N163770031	T ADAPTÖR	TEE	1					
49	N163470400	DİRSEK	ELBOW	14					
50	6370021075	HORTUM KOMPLESİ	HOSE ASS'Y	1					
51	6370020045	HORTUM KOMPLESİ	HOSE ASS'Y	1					
52	6370021035	HORTUM KOMPLESİ	HOSE ASS'Y	1					
53	6370021060	HORTUM KOMPLESİ	HOSE ASS'Y	1					
54	6631123115	HORTUM KOMPLESİ	HOSE ASS'Y	1					
55	N030100013	PUL	WASHER	4					
56	N102001119	O-RİNGLİ PUL	WASHER	1					
57	80624019	NİPEL	ADAPTER	1					
58	N030810014	PUL	WASHER	3					
59	N010232114	CIVATA	BOLT	3					M8x20
60	N163430814	NİPEL	ADAPTER	4					
61	N030000004	O-RİNGLİ PUL	WASHER	4					
62	F1822631	ÇİFT TESİRLİ PEDAL VALFİ	DOUBLE ACTING PEDAL VALVE	1					

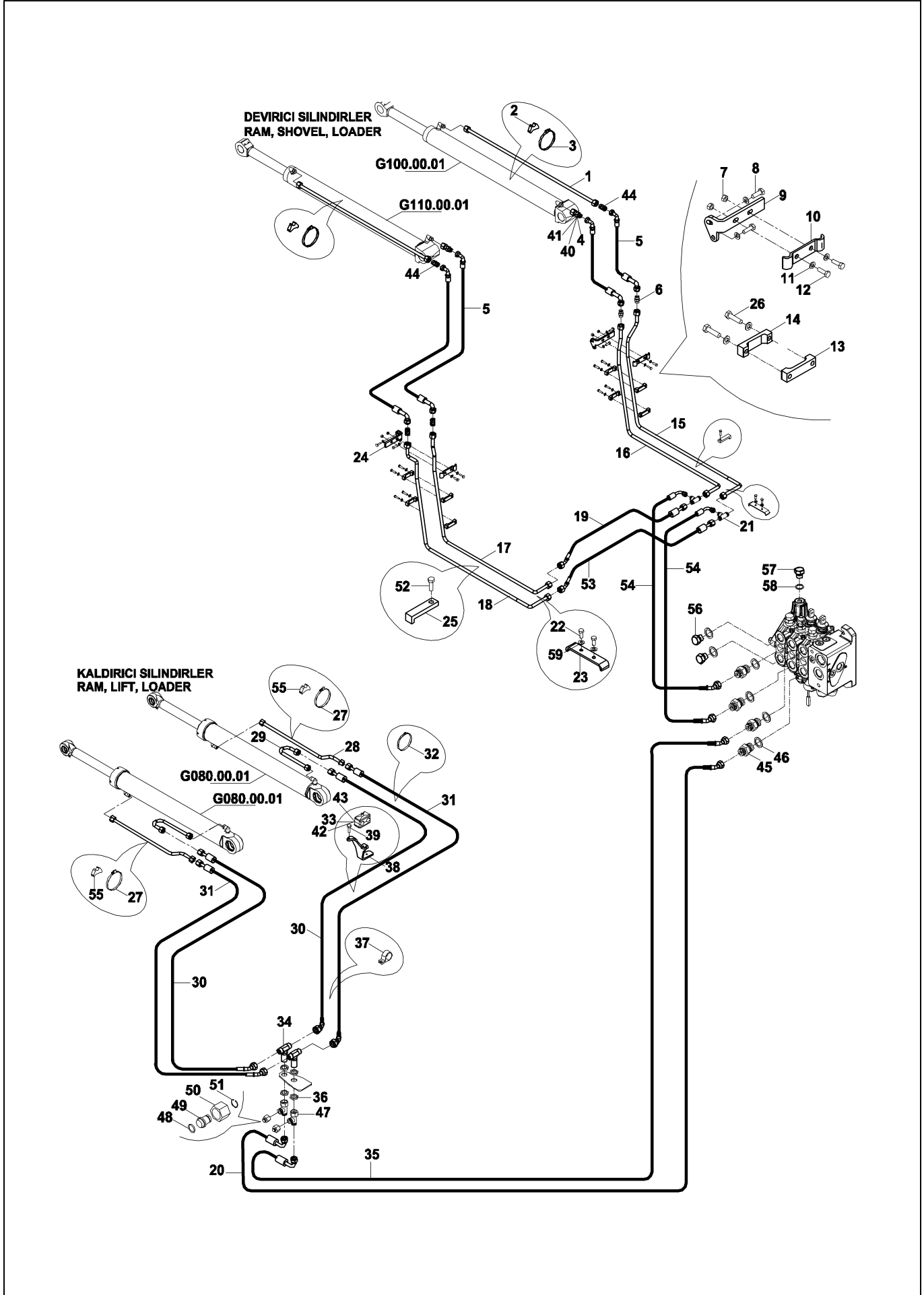
KUMANDA DEĞİŞTİRİCİ (TİP B)
PATTERN SHIFTER (TYPE B)



**KUMANDA DEĞİŞTİRİCİ (TİP B)
PATTERN SHIFTER (TYPE B)**

No	Parça No	Parça Adı	Description	Adet	S.K.	Bas.S.N	Bit.S.N	Y.K.	Not
No	Part no			Qty	SC	S/N from	S/N to	ICA	Note
1	6370022160	HORTUM KOMPLESİ	HOSE ASS'Y.	1					
2	6370022145	HORTUM KOMPLESİ	HOSE ASS'Y.	1					
3	6370022145	HORTUM KOMPLESİ	HOSE ASS'Y.	1					
4	6370022155	HORTUM KOMPLESİ	HOSE ASS'Y.	1					
5	6370020075	HORTUM KOMPLESİ	HOSE ASS'Y.	1					
6	6370020065	HORTUM KOMPLESİ	HOSE ASS'Y.	1					
7	6370020050	HORTUM KOMPLESİ	HOSE ASS'Y.	1					
8	6370026045	HORTUM KOMPLESİ	HOSE ASS'Y.	1					
9	N16K550310	NİPEL	ADAPTER	8					
10	N010380446	CIVATA	BOLT	2					M8x60
11	N030810014	PUL	WASHER	2					M8
12	Y0611234	ETİKET, ARKA KUMANDA FONKSİYON	DECAL	1					
13	Y0611233	ETİKET, ARKA KUMANDA FONKSİYON	DECAL	1					
14	52031383	DÜĞME	BUTTON	1					
15	52020000	ANAHTAR	SWITCH	1	OP				

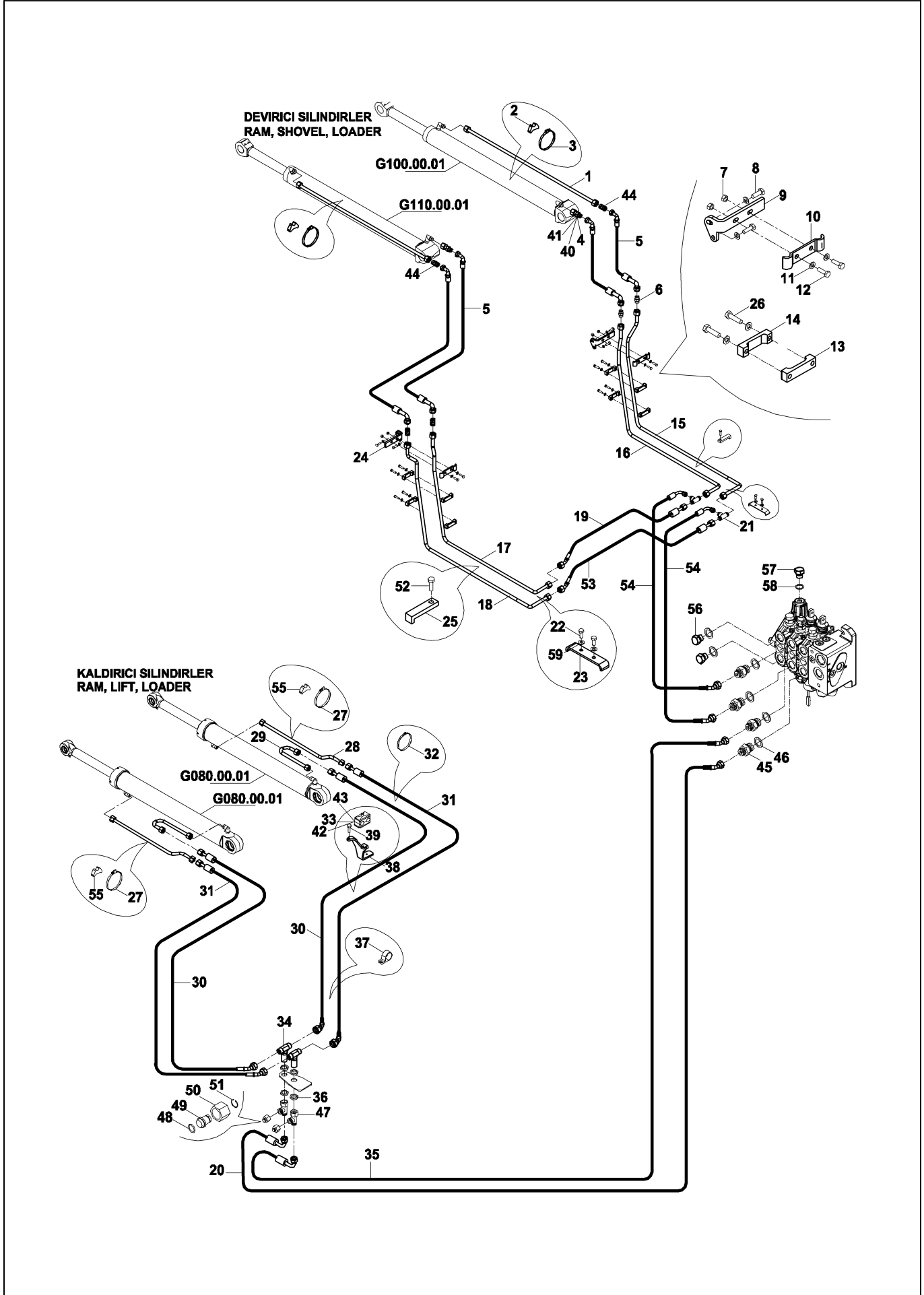
YÜKLEYİCİ HİDROLİK TESİSATI, SABİT KEPÇE (TİP B & DİŞLİ POMPA) (OP)
LOADER HYD. PIPING, SHOVEL (TYPE B & GEAR PUMP) (OP)



**YÜKLEYİCİ HİDROLİK TESİSATI, SABİT KEPÇE (TİP B & DİŞLİ POMPA) (OP)
LOADER HYD. PIPING, SHOVEL (TYPE B & GEAR PUMP) (OP)**

No	Parça No	Parça Adı	Adet	S.K.	Bas.S.N	Bit.S.N	Y.K.	Not
No	Part no	Description	Qty	SC	S/N from	S/N to	ICA	Note
1	45251570	BORU KOMPLESİ	2					
2	81400370	TESİSAT ALTIĞI	2					
3	N074100120	KELEPÇE	2					
4	80626025	NİPEL	2					
5	66422P2078	HORTUM KOMPLESİ	4					
6	N163450122	NİPEL	4					
7	N025910062	SOMUN	4					M8
8	N010232114	CIVATA	4					M8x20
9	02030426	SAC	1					
10	02030443	KELEPÇE	2					
11	N030810014	PUL	16					
12	N010232162	CIVATA	4					M8x30
13	81050061	KELEPÇE	4					
14	81050060	KELEPÇE	4					
15	45251689	BORU KOMPLESİ	1					
16	45251694	BORU KOMPLESİ	1					
17	45251684	BORU KOMPLESİ	1					
18	45251691	BORU KOMPLESİ	1					
19	664222A065	HORTUM KOMPLESİ	1					
20	664222K070	HORTUM KOMPLESİ	1					
21	N163570248	T ADAPTÖR	2					
22	N010232114	CIVATA	4					M8x20
23	02030444	KELEPÇE	2					
24	02030425	SAC	1					
25	02011758	KELEPÇE	2					
26	N010232162	CIVATA	8					M8x30
27	N074100120	KELEPÇE	2					
28	45251781	BORU KOMPLESİ	2					
29	45251565	BORU KOMPLESİ	2					
30	664222N200	HORTUM KOMPLESİ	2					
31	664222N205	HORTUM KOMPLESİ	2					
32	51012200	KABLO BAĞI	4					
33	N073020003	KELEPÇE	4					
34	N163570249	T ADAPTÖR	2					
35	664222K075	HORTUM KOMPLESİ	1					
36	80400634	SOMUN	2					
37	N077003500	KELEPÇE	2					
38	02030523	BRAKET	2					
39	N010232438	CIVATA	4					M10x20
40	N183570248	YÜKSÜK	2					
41	N173570248	YÜKSÜKLÜ SOMUN	2					
42	N010380410	CIVATA	2					M8x50
43	N073020002	KELEPÇE ÜST PARÇASI	2					
44	N163450122	NİPEL	2					
45	80624724	NİPEL	4					
46	N030000025	O-RİNGLİ PUL	6					
47	80639026	T ADAPTÖR	2					

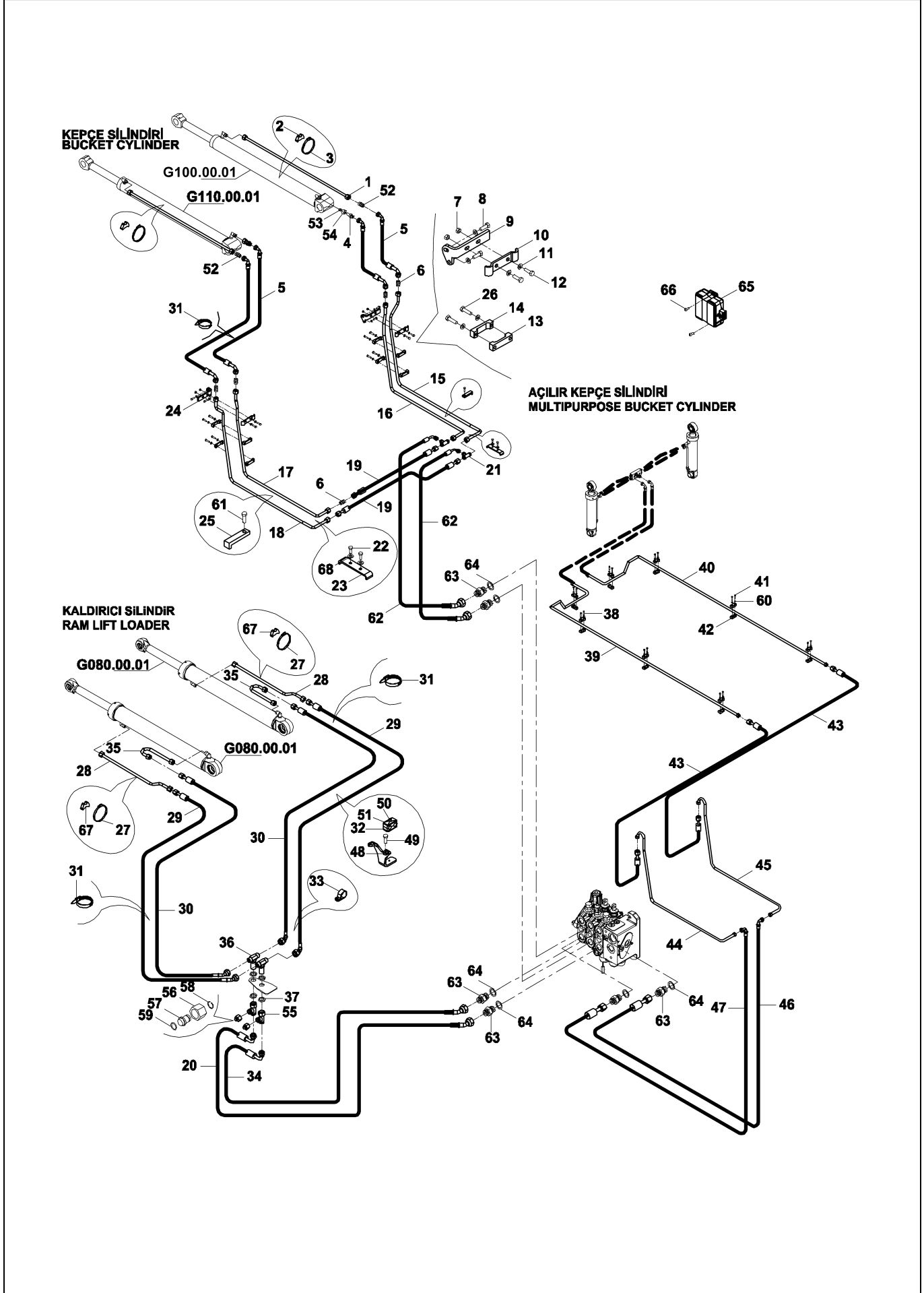
YÜKLEYİCİ HİDROLİK TESİSATI, SABİT KEPÇE (TİP B & DİŞLİ POMPA) (OP)
LOADER HYD. PIPING, SHOVEL (TYPE B & GEAR PUMP) (OP)



**YÜKLEYİCİ HİDROLİK TESİSATI, SABİT KEPÇE (TİP B & DİŞLİ POMPA) (OP)
LOADER HYD. PIPING, SHOVEL (TYPE B & GEAR PUMP) (OP)**

No	Parça No	Parça Adı	Description	Adet	S.K.	Bas.S.N	Bit.S.N	Y.K.	Not
No	Part no			Qty	SC	S/N from	S/N to	ICA	Note
48	N102000918	O-RİNG	O-RİNG	2					
49	81405218	KÖR TAPA	PLUG	2					
50	N173570192	YÜKSÜKLÜ SOMUN	NUT	2					
51	N050020019	SEGMAN	RETAINING RING	2					
57	81404060	TAPA	PLUG	2					
58	N030000004	O-RİNGLİ PUL	WASHER	2					
59	N030810014	PUL	WASHER	4					
52	N015890470	CIVATA	BOLT	2					M8x25
53	664222A065	HORTUM KOMPLESİ	HOSE ASS'Y	1					
54	664222K055	HORTUM KOMPLESİ	HOSE ASS'Y	2					
55	81400362	KELEPÇE ALTLIĞI	CLAMP SUPPORT	2					
56	81403012	TAPA	PLUG	2					

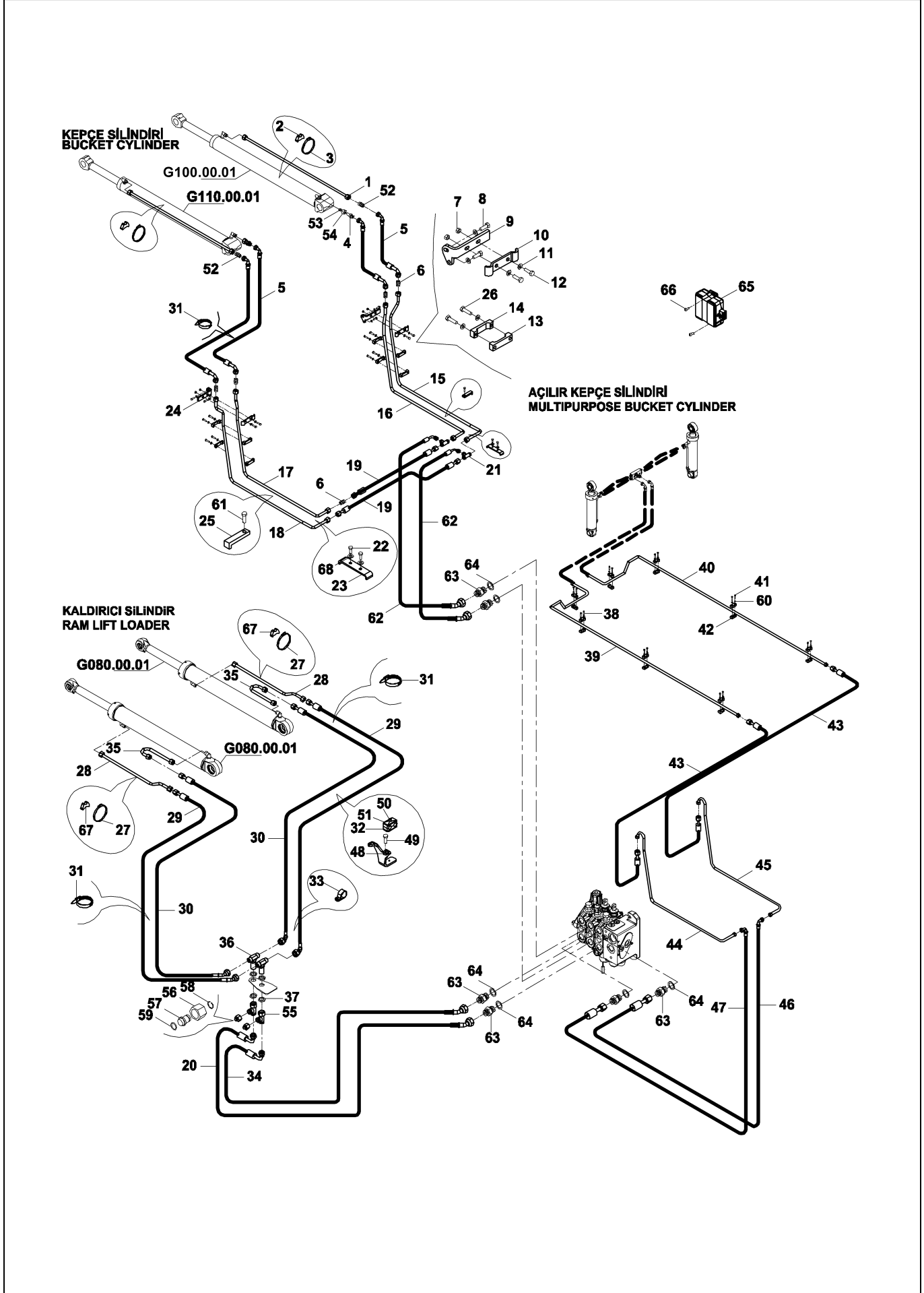
**YÜKLEYİCİ HİDROLİK TESİSATI, AÇILIR KEPÇE (TİP B & DİŞLİ POMPA) (OP)
 LOADER HYD. PIPING, MULTIPURPOSE BUCKET (TYPE B & GEAR PUMP) (OP)**



**YÜKLEYİCİ HİDROLİK TESİSATI, AÇILIR KEPÇE (TİP B & DİŞLİ POMPA) (OP)
LOADER HYD. PIPING, MULTIPURPOSE BUCKET (TYPE B & GEAR PUMP) (OP)**

No	Parça No	Parça Adı	Adet	S.K.	Bas.S.N	Bit.S.N	Y.K.	Not
No	Part no	Description	Qty	SC	S/N from	S/N to	ICA	Note
1	45251570	BORU KOMPLESİ	2					
2	81400370	TESİSAT ALTIĞI	2					
3	N074100120	KELEPÇE	2					
4	80626025	NİPEL	2					
5	66422P2078	HORTUM KOMPLESİ	4					
6	N163450122	NİPEL	4					
7	N025910062	SOMUN	4					M8
8	N010232114	CIVATA	4					M8x25
9	02030426	SAC	1					
10	02030443	KELEPÇE	2					
11	N030810014	PUL	16					
12	N010232162	CIVATA	4					M8x30
13	81050061	KELEPÇE	4					
14	81050060	KELEPÇE	4					
15	45251689	BORU KOMPLESİ	1					
16	45251694	BORU KOMPLESİ	1					
17	45251684	BORU KOMPLESİ	1					
18	45251691	BORU KOMPLESİ	1					
19	664222A065	HORTUM KOMPLESİ	2					
20	664222K070	HORTUM KOMPLESİ	1					
21	N163570248	T ADAPTÖR	2					
22	N010232114	CIVATA	4					M8x25
23	02030444	KELEPÇE	2					
24	02030425	SAC	1					
25	02011758	KELEPÇE	2					
26	N010232162	CIVATA	8					M8x30
27	N074100120	KELEPÇE	2					
28	45251781	BORU KOMPLESİ	2					
29	664222N205	HORTUM KOMPLESİ	2					
30	664222N200	HORTUM KOMPLESİ	2					
31	51012200	KABLO BAĞI	4					
32	N073020003	KELEPÇE	4					
33	N077003500	KELEPÇE	2					
34	664222K075	HORTUM KOMPLESİ	1					
35	45251565	BORU KOMPLESİ	2					
36	N163570249	T ADAPTÖR	2					
37	80400634	SOMUN	2					
38	N015890362	CIVATA	4					
39	45250659	BORU KOMPLESİ	1					
40	45250649	BORU KOMPLESİ	1					
41	N015890326	CIVATA	12					M6x25
42	N072016003	KELEPÇE	16					
43	664222C093	HORTUM KOMPLESİ	2					
44	45251674	BORU KOMPLESİ	1					
45	45251688	BORU KOMPLESİ	1					
46	664222N075	HORTUM KOMPLESİ	1					
47	664222N095	HORTUM KOMPLESİ	1					

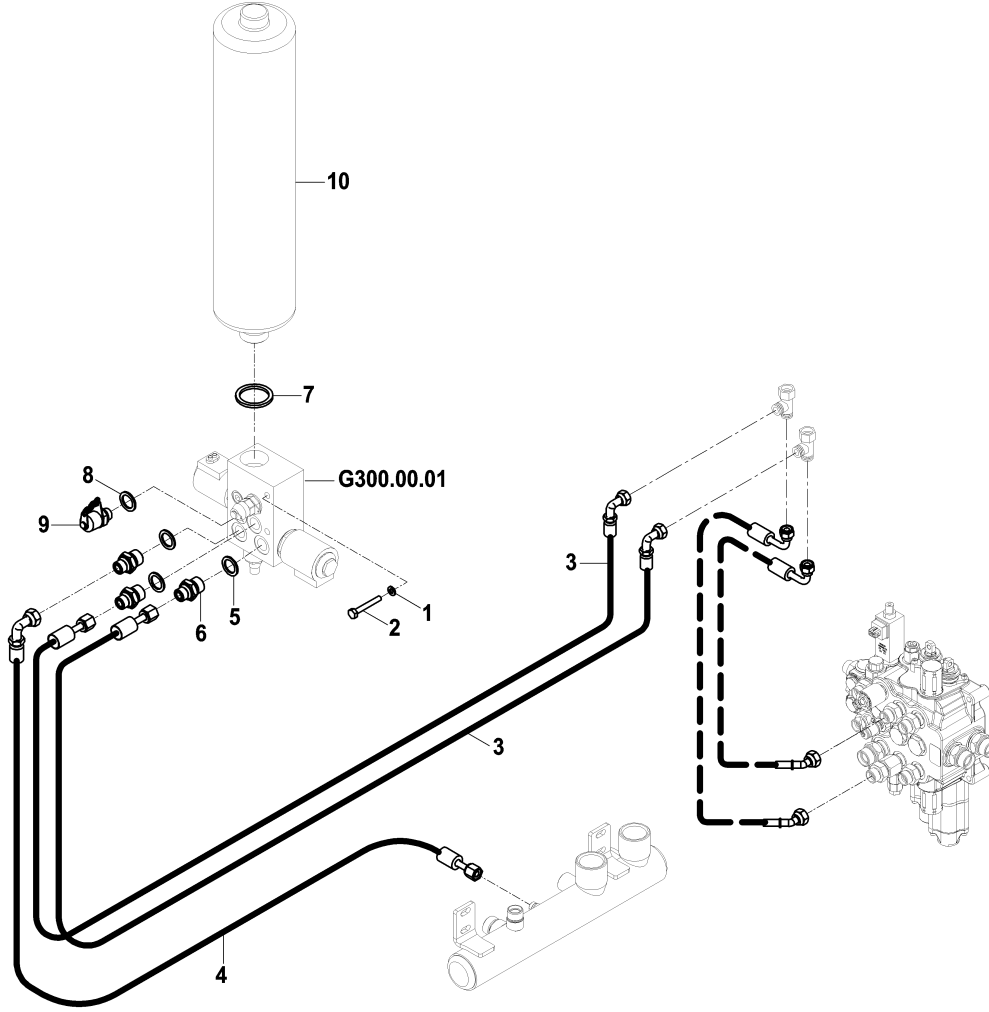
**YÜKLEYİCİ HİDROLİK TESİSATI, AÇILIR KEPÇE (TİP B & DİŞLİ POMPA) (OP)
 LOADER HYD. PIPING, MULTIPURPOSE BUCKET (TYPE B & GEAR PUMP) (OP)**



**YÜKLEYİCİ HİDROLİK TESİSATI, AÇILIR KEPÇE (TİP B & DİŞLİ POMPA) (OP)
LOADER HYD. PIPING, MULTIPURPOSE BUCKET (TYPE B & GEAR PUMP) (OP)**

No	Parça No	Parça Adı	Description	Adet	S.K.	Bas.S.N	Bit.S.N	Y.K.	Not
No	Part no			Qty	SC	S/N from	S/N to	ICA	Note
48	02030523	BRAKET	BRACKET	2					
49	N010232438	CIVATA	BOLT	4					
50	N010380410	CIVATA	BOLT	2					
51	N073020002	KELEPÇE ÜST PARÇASI	COVER, CLAMP	2					
52	N163450122	NİPEL	ADAPTER	2					
53	N183570248	YÜKSÜK	RING	2					
54	N173570248	YÜKSÜKLÜ SOMUN	NUT	2					
55	80639026	T ADAPTÖR	TEE	2					
56	N173570192	YÜKSÜKLÜ SOMUN	NUT	2					
57	81405218	KÖR TAPA	PLUG	2					
58	N050020019	SEGMAN	RETAINING RING	2					
59	N102000918	O-RİNG	O-RING	2					
60	N030100013	PUL	WASHER	16					
61	N015890470	CIVATA	BOLT	2					
62	664222K055	HORTUM KOMPLESİ	HOSE ASS'Y	2					
63	80624724	NİPEL	ADAPTER	6					
64	N030000025	O-RİNGLİ PUL	WASHER	6					
65	53003312	MODÜL, ORANSAL VALF SÜRÜCÜ	MODULE, PROPORTIONAL VALVE DRIVE	1					
66	N015890026	CIVATA	BOLT	2					M4x10
67	81400362	KELEPÇE ALTLIĞI	CLAMP SUPPORT	2					
68	N030810014	PUL	WASHER	4					

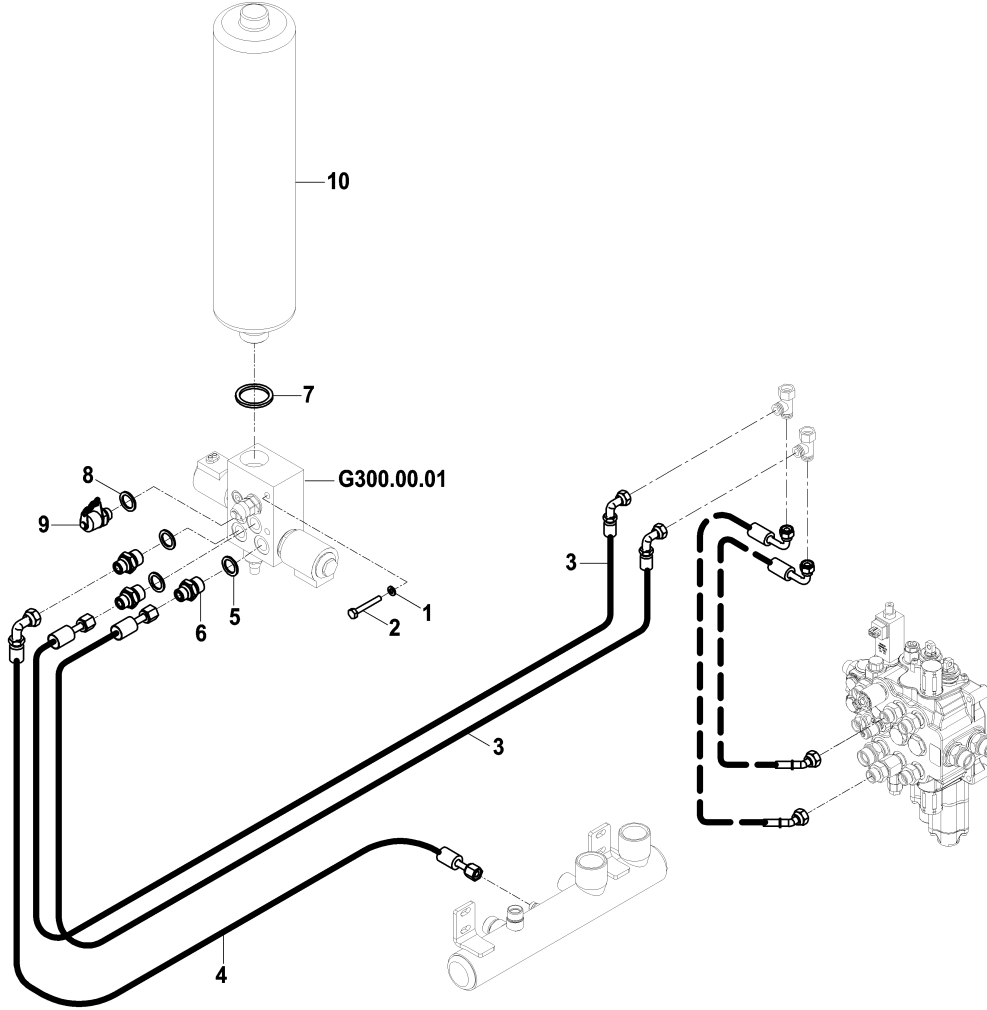
YÜKLEYİCİ HİDROLİK TESİSATI, MSS (TİP A & TİP B)
LOADER HYDRAULIC PIPING, MSS (TYPE A & TYPE B)



YÜKLEYİCİ HİDROLİK TESİSATI, MSS (TİP A & TİP B)
LOADER HYDRAULIC PIPING, MSS (TYPE A & TYPE B)

No	Parça No	Parça Adı	Adet	S.K.	Bas.S.N	Bit.S.N	Y.K.	Not
No	Part no	Description	Qty	SC	S/N from	S/N to	ICA	Note
1	N030810014	PUL	2					M8
2	N010380482	CIVATA	2					M8x75
3	6631121095	HORTUM KOMPLESİ	2					
4	6631120050	HORTUM KOMPLESİ	1					
5	N030000005	O-RİNGLİ PUL	3					
6	80624018	NİPEL	3					
7	N030000030	PUL	1					
8	N030213191	PUL	1					
9	F9970100	MANOMETRE PRİZİ	1					
10	F3093516	AKÜMÜLATÖR	1					

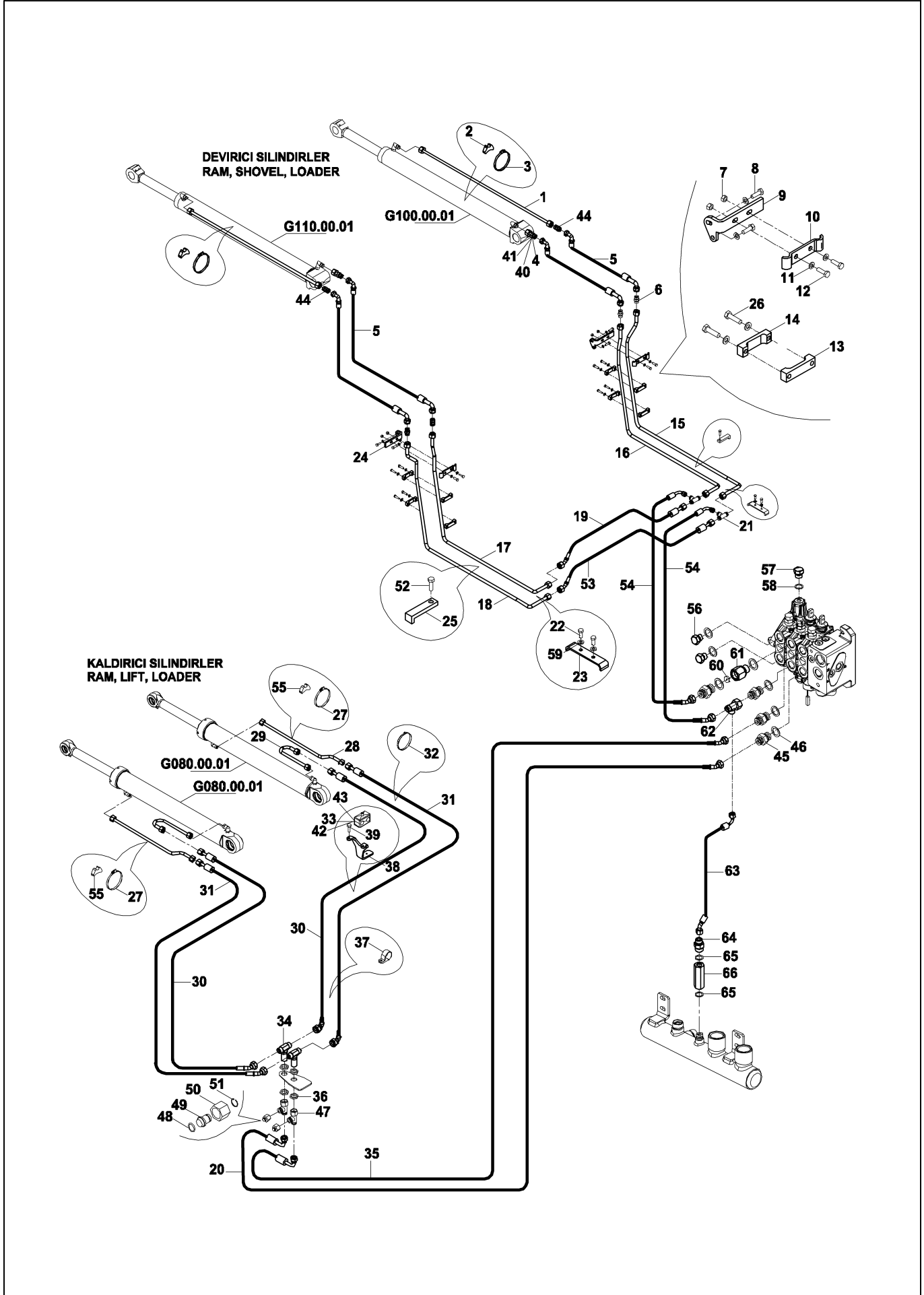
YÜKLEYİCİ HİDROLİK TESİSATI, MSS (TİP A & TİP B)
LOADER HYDRAULIC PIPING, MSS (TYPE A & TYPE B)



YÜKLEYİCİ HİDROLİK TESİSATI, MSS (TİP A & TİP B)
LOADER HYDRAULIC PIPING, MSS (TYPE A & TYPE B)

No	Parça No	Parça Adı	Adet	S.K.	Bas.S.N	Bit.S.N	Y.K.	Not
No	Part no	Description	Qty	SC	S/N from	S/N to	ICA	Note
1	N030810014	PUL	2					M8
2	N010380482	CIVATA	2					M8x75
3	6631121095	HORTUM KOMPLESİ	2					
4	6631120050	HORTUM KOMPLESİ	1					
5	N030000005	O-RİNGLİ PUL	3					
6	80624018	NİPEL	3					
7	N030000030	PUL	1					
8	N030213191	PUL	1					
9	F9970100	MANOMETRE PRİZİ	1					
10	F3093516	AKÜMÜLATÖR	1					

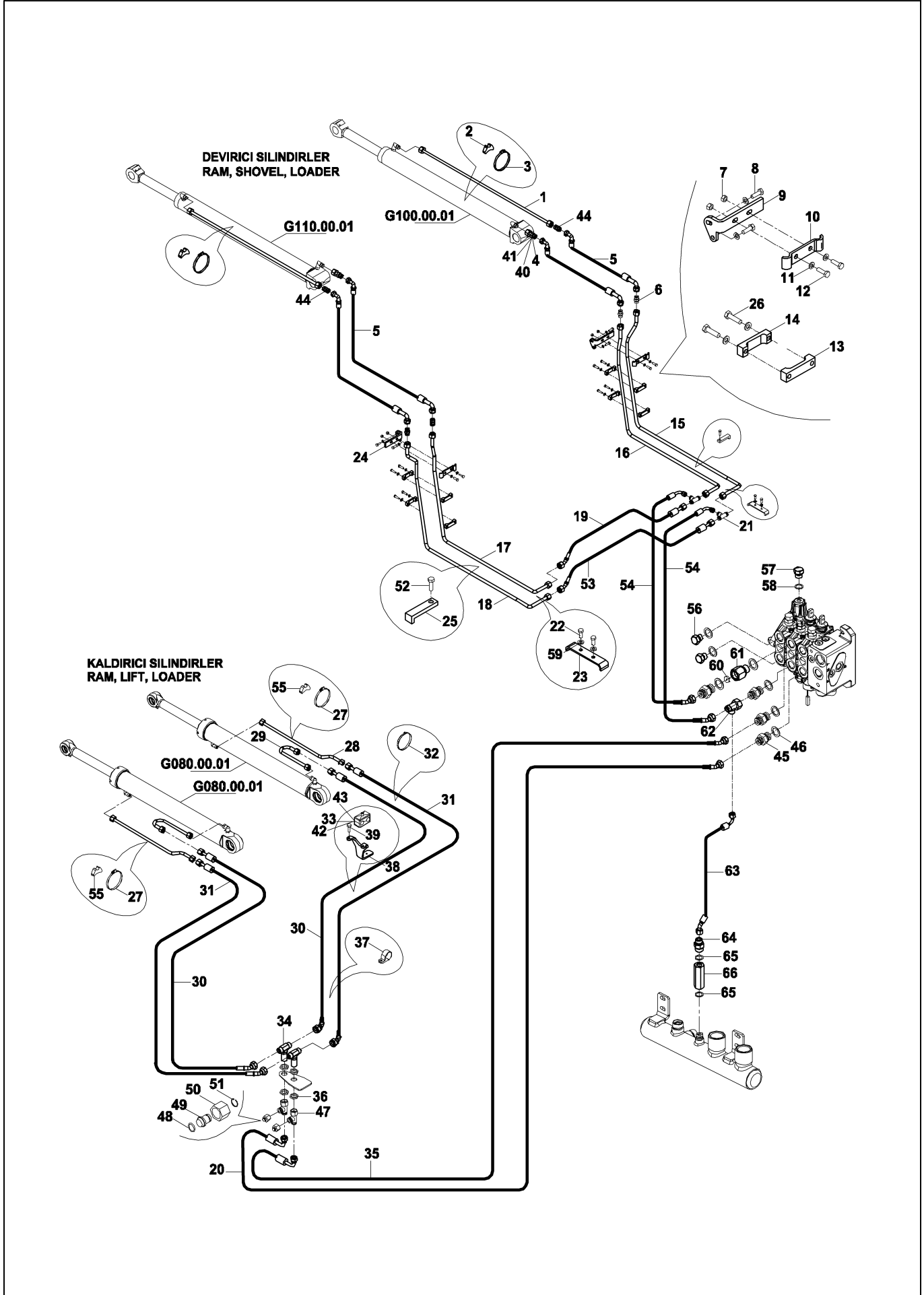
YÜKLEYİCİ HİDROLİK TESİSATI, SABİT KEPÇE (TİP B & PİSTONLU POMPA) (OP)
LOADER HYD. PIPING, SHOVEL (TYPE B & PISTON PUMP) (OP)



**YÜKLEYİCİ HİDROLİK TESİSATI, SABİT KEPÇE (TİP B & PİSTONLU POMPA) (OP)
LOADER HYD. PIPING, SHOVEL (TYPE B & PISTON PUMP) (OP)**

No	Parça No	Parça Adı	Adet	S.K.	Bas.S.N	Bit.S.N	Y.K.	Not
No	Part no	Description	Qty	SC	S/N from	S/N to	ICA	Note
1	45251570	BORU KOMPLESİ	2					
2	81400370	TESİSAT ALTIĞI	2					
3	N074100120	KELEPÇE	2					
4	80626025	NİPEL	2					
5	66422P2078	HORTUM KOMPLESİ	4					
6	N163450122	NİPEL	4					
7	N025910062	SOMUN	4					M8
8	N010232114	CIVATA	4					M8x20
9	02030426	SAC	1					
10	02030443	KELEPÇE	2					
11	N030810014	PUL	16					
12	N010232162	CIVATA	4					M8x30
13	81050061	KELEPÇE	4					
14	81050060	KELEPÇE	4					
15	45251689	BORU KOMPLESİ	1					
16	45251694	BORU KOMPLESİ	1					
17	45251684	BORU KOMPLESİ	1					
18	45251691	BORU KOMPLESİ	1					
19	664222A065	HORTUM KOMPLESİ	1					
20	664222K070	HORTUM KOMPLESİ	1					
21	N163570248	T ADAPTÖR	2					
22	N010232114	CIVATA	4					M8x20
23	02030444	KELEPÇE	2					
24	02030425	SAC	1					
25	02011758	KELEPÇE	2					
26	N010232162	CIVATA	8					M8x30
27	N074100120	KELEPÇE	2					
28	45251781	BORU KOMPLESİ	2					
29	45251565	BORU KOMPLESİ	2					
30	664222N200	HORTUM KOMPLESİ	2					
31	664222N205	HORTUM KOMPLESİ	2					
32	51012200	KABLO BAĞI	4					
33	N073020003	KELEPÇE	4					
34	N163570249	T ADAPTÖR	2					
35	664222K075	HORTUM KOMPLESİ	1					
36	80400634	SOMUN	2					
37	N077003500	KELEPÇE	2					
38	02030523	BRAKET	2					
39	N010232438	CIVATA	4					M10x20
40	N183570248	YÜKSÜK	2					
41	N173570248	YÜKSÜKLÜ SOMUN	2					
42	N010380410	CIVATA	2					M8x50
43	N073020002	KELEPÇE ÜST PARÇASI	2					
44	N163450122	NİPEL	2					
45	80624724	NİPEL	4					
46	N030000025	O-RİNGLİ PUL	6					
47	80639026	T ADAPTÖR	2					

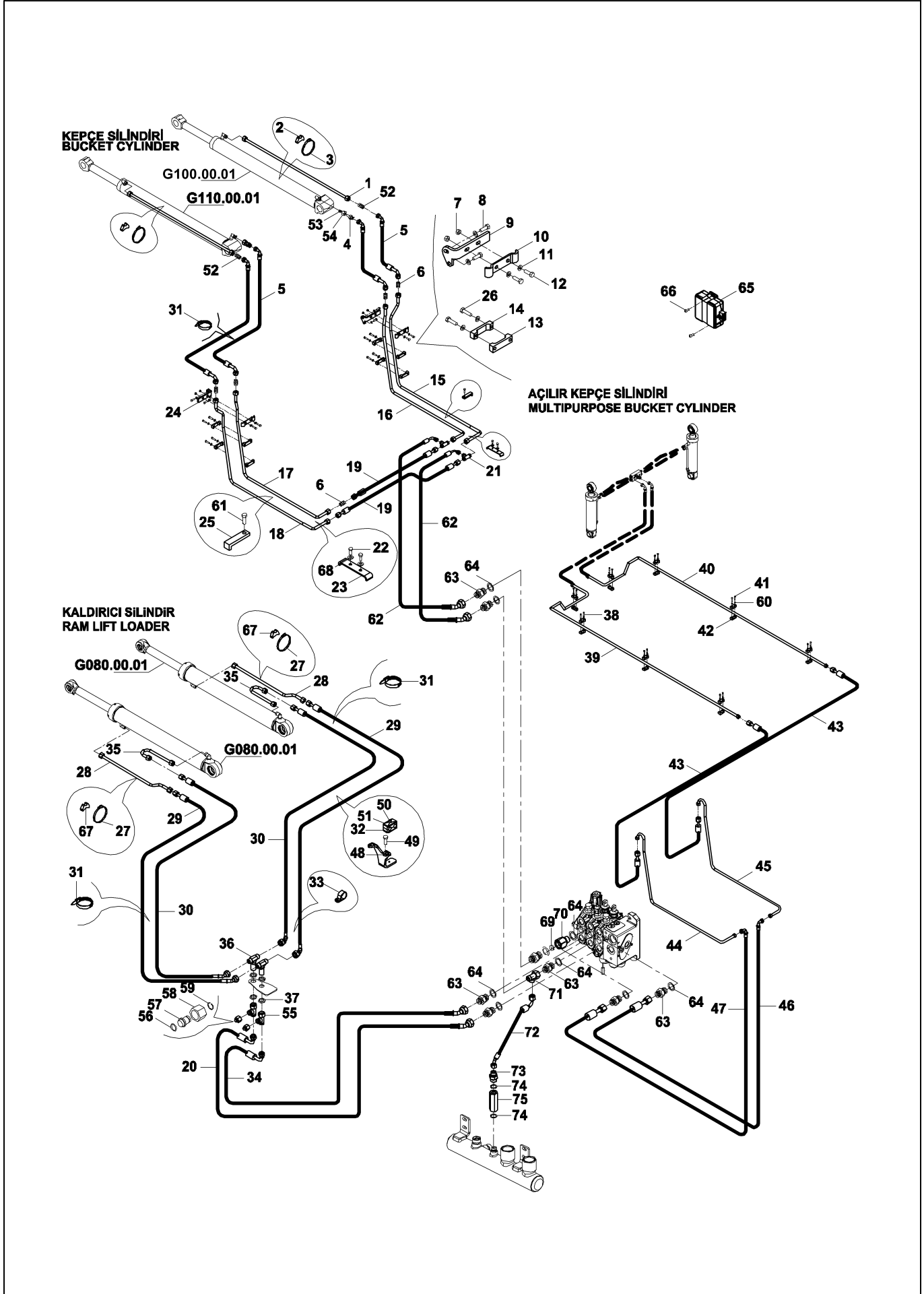
YÜKLEYİCİ HİDROLİK TESİSATI, SABİT KEPÇE (TİP B & PİSTONLU POMPA) (OP)
LOADER HYD. PIPING, SHOVEL (TYPE B & PISTON PUMP) (OP)



**YÜKLEYİCİ HİDROLİK TESİSATI, SABİT KEPÇE (TİP B & PİSTONLU POMPA) (OP)
LOADER HYD. PIPING, SHOVEL (TYPE B & PISTON PUMP) (OP)**

No	Parça No	Parça Adı	Description	Adet	S.K.	Bas.S.N	Bit.S.N	Y.K.	Not
No	Part no			Qty	SC	S/N from	S/N to	ICA	Note
48	N102000918	O-RİNG	O-RING	2					
49	81405218	KÖR TAPA	PLUG	2					
50	N173570192	YÜKSÜKLÜ SOMUN	NUT	2					
51	N050020019	SEGMAN	RETAINING RING	2					
52	N015890470	CIVATA	BOLT	2					M8x25
53	664222A065	HORTUM KOMPLESİ	HOSE ASS'Y	1					
54	664222K055	HORTUM KOMPLESİ	HOSE ASS'Y	2					
55	81400362	KELEPÇE ALTLIĞI	CLAMP SUPPORT	2					
56	81403012	TAPA	PLUG	2					
57	81404060	TAPA	PLUG	2					
58	N030000004	O-RİNGLİ PUL	WASHER	2					
59	N030810014	PUL	WASHER	4					
60	02020189	KISICI	RESTRICTOR	1					
61	80615000	NİPEL	ADAPTER	1					
62	N163790073	T ADAPTÖR	TEE	1					
63	664222H075	HORTUM KOMPLESİ	HOSE ASS'Y	1					
64	N163430940	NİPEL	ADAPTOR	1					
65	N030000015	O-RİNGLİ PUL	WASHER	2					
66	F1899229	ÇEK VALF	CHECK VALVE	1					0.5 BAR

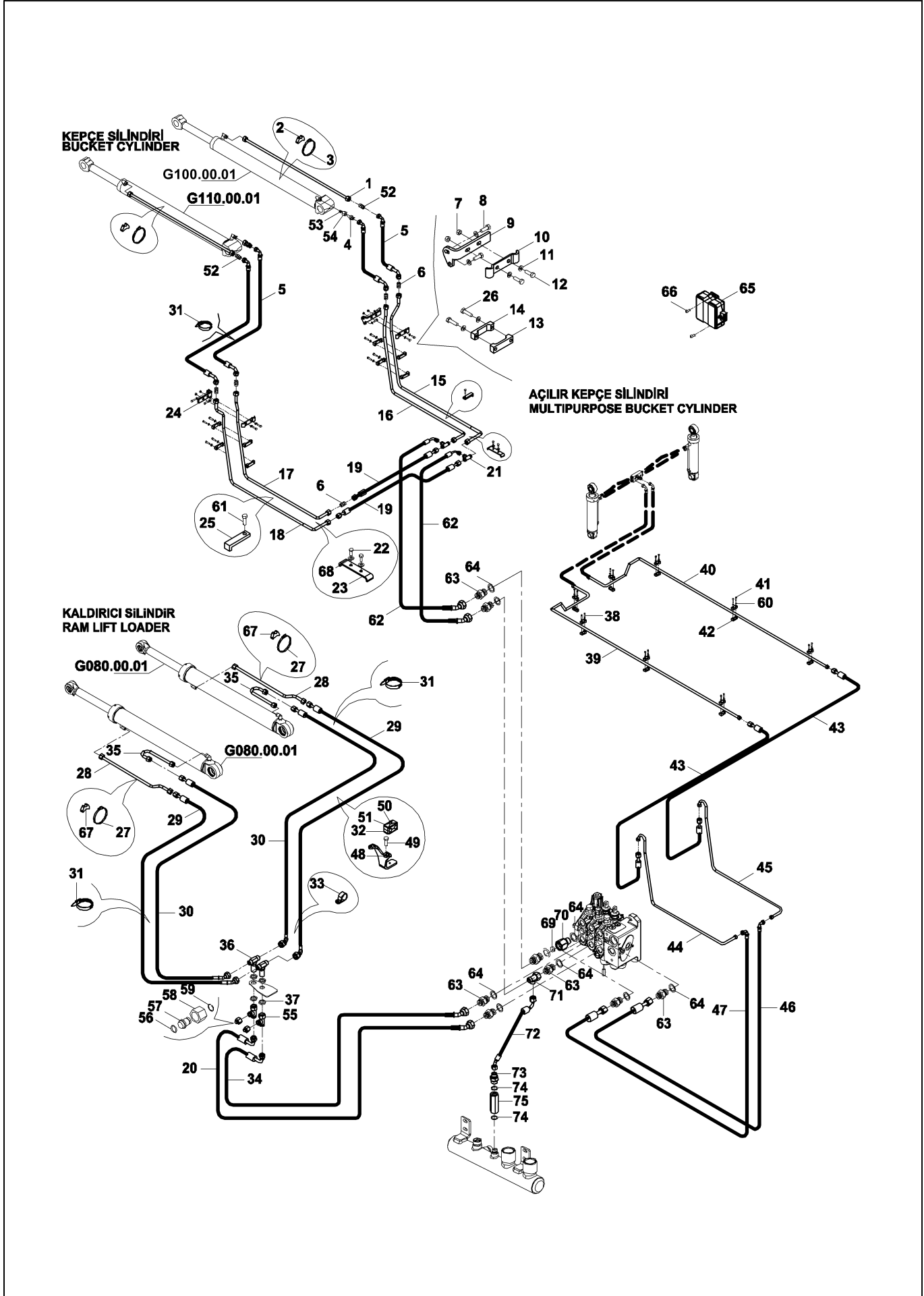
**YÜKLEYİCİ HİDROLİK TESİSATI, AÇILIR KEPÇE (TİP B & PİSTONLU POMPA) (OP)
 LOADER HYD. PIPING, MULTIPURPOSE BUCKET (TYPE B & PISTON PUMP) (OP)**



**YÜKLEYİCİ HİDROLİK TESİSATI, AÇILIR KEPÇE (TİP B & PİSTONLU POMPA) (OP)
LOADER HYD. PIPING, MULTIPURPOSE BUCKET (TYPE B & PISTON PUMP) (OP)**

No	Parça No	Parça Adı	Adet	S.K.	Bas.S.N	Bit.S.N	Y.K.	Not
No	Part no	Description	Qty	SC	S/N from	S/N to	ICA	Note
1	45251570	BORU KOMPLESİ	2					
2	81400370	TESİSAT ALTIĞI	2					
3	N074100120	KELEPÇE	2					
4	80626025	NİPEL	2					
5	66422P2078	HORTUM KOMPLESİ	4					
6	N163450122	NİPEL	4					
7	N025910062	SOMUN	4					M8
8	N010232114	CIVATA	4					M8x25
9	02030426	SAC	1					
10	02030443	KELEPÇE	2					
11	N030810014	PUL	16					
12	N010232162	CIVATA	4					M8x30
13	81050061	KELEPÇE	4					
14	81050060	KELEPÇE	4					
15	45251689	BORU KOMPLESİ	1					
16	45251694	BORU KOMPLESİ	1					
17	45251684	BORU KOMPLESİ	1					
18	45251691	BORU KOMPLESİ	1					
19	664222A065	HORTUM KOMPLESİ	2					
20	664222K070	HORTUM KOMPLESİ	1					
21	N163570248	T ADAPTÖR	2					
22	N010232114	CIVATA	4					M8x25
23	02030444	KELEPÇE	2					
24	02030425	SAC	1					
25	02011758	KELEPÇE	2					
26	N010232162	CIVATA	8					M8x30
27	N074100120	KELEPÇE	2					
28	45251781	BORU KOMPLESİ	2					
29	664222N205	HORTUM KOMPLESİ	2					
30	664222N200	HORTUM KOMPLESİ	2					
31	51012200	KABLO BAĞI	4					
32	N073020003	KELEPÇE	4					
33	N077003500	KELEPÇE	2					
34	664222K075	HORTUM KOMPLESİ	1					
35	45251565	BORU KOMPLESİ	2					
36	N163570249	T ADAPTÖR	2					
37	80400634	SOMUN	2					
38	N015890362	CIVATA	4					
39	45250659	BORU KOMPLESİ	1					
40	45250649	BORU KOMPLESİ	1					
41	N015890326	CIVATA	12					M6x25
42	N072016003	KELEPÇE	16					
43	664222C093	HORTUM KOMPLESİ	2					
44	45251674	BORU KOMPLESİ	1					
45	45251688	BORU KOMPLESİ	1					
46	664222N075	HORTUM KOMPLESİ	1					
47	664222N095	HORTUM KOMPLESİ	1					

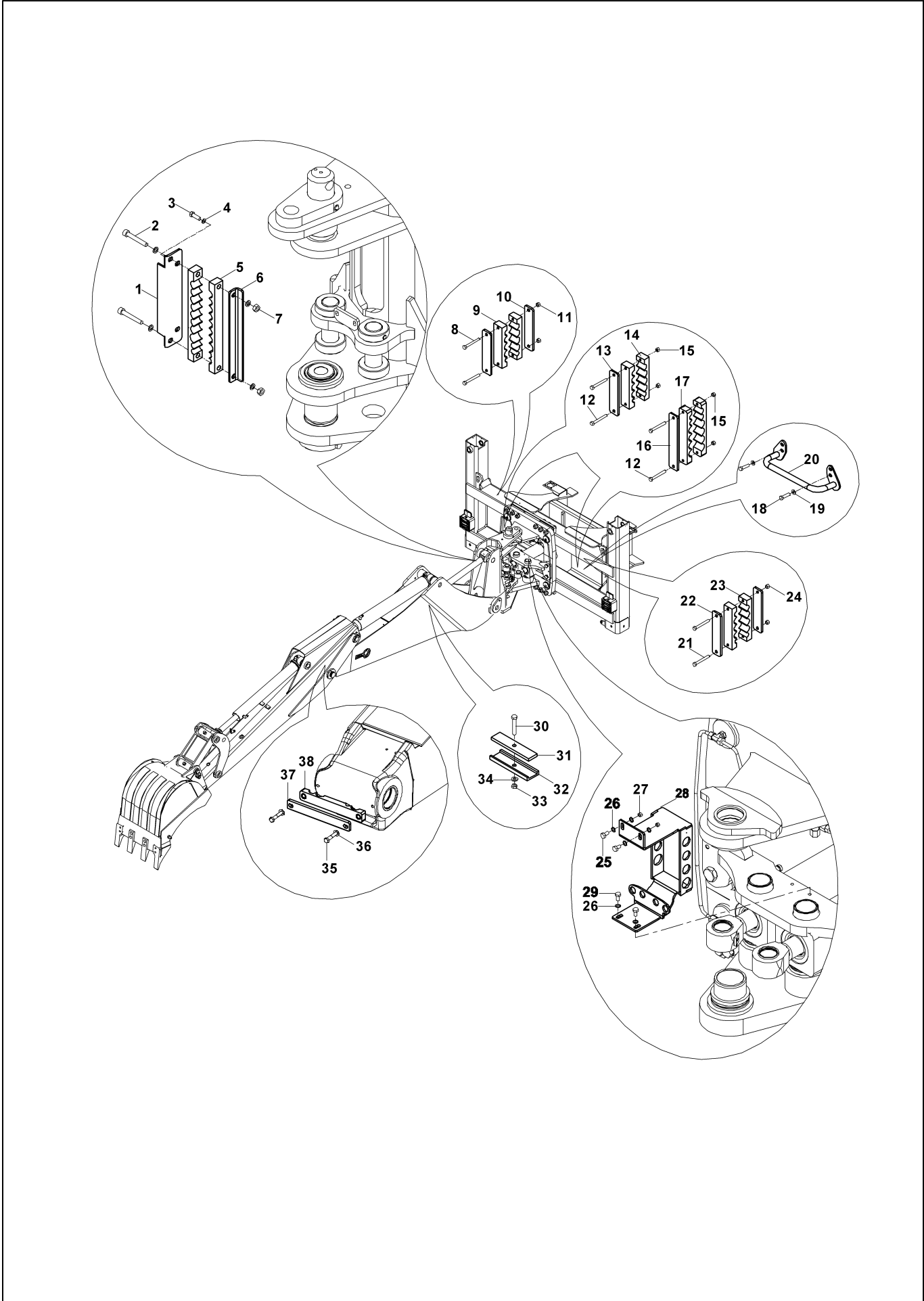
**YÜKLEYİCİ HİDROLİK TESİSATI, AÇILIR KEPÇE (TİP B & PİSTONLU POMPA) (OP)
 LOADER HYD. PIPING, MULTIPURPOSE BUCKET (TYPE B & PISTON PUMP) (OP)**



**YÜKLEYİCİ HİDROLİK TESİSATI, AÇILIR KEPÇE (TİP B & PİSTONLU POMPA) (OP)
LOADER HYD. PIPING, MULTIPURPOSE BUCKET (TYPE B & PISTON PUMP) (OP)**

No	Parça No	Parça Adı	Description	Adet	S.K.	Bas.S.N	Bit.S.N	Y.K.	Not
No	Part no			Qty	SC	S/N from	S/N to	ICA	Note
48	02030523	BRAKET	BRACKET	2					
49	N010232438	CIVATA	BOLT	4					
50	N010380410	CIVATA	BOLT	2					
51	N073020002	KELEPÇE ÜST PARÇASI	COVER, CLAMP	2					
52	N163450122	NİPEL	ADAPTER	2					
53	N183570248	YÜKSÜK	RING	2					
54	N173570248	YÜKSÜKLÜ SOMUN	NUT	2					
55	80639026	T ADAPTÖR	TEE	2					
56	N102000918	O-RİNG	O-RING	2					
57	81405218	KÖR TAPA	PLUG	2					
58	N173570192	YÜKSÜKLÜ SOMUN	NUT	2					
59	N050020019	SEGMAN	RETAINING RING	2					
60	N030100013	PUL	WASHER	16					
61	N015890470	CIVATA	BOLT	2					
62	664222K055	HORTUM KOMPLESİ	HOSE ASS'Y	2					
63	80624724	NİPEL	ADAPTER	6					
64	N030000025	O-RİNGLİ PUL	WASHER	7					
65	53003312	MODÜL, ORANSAL VALF SÜRÜCÜ	MODULE, PROPORTIONAL VALVE DRIVE	1					
66	N015890026	CIVATA	BOLT	2					M4x10
67	81400362	KELEPÇE ALTLIĞI	CLAMP SUPPORT	2					
68	N030810014	PUL	WASHER	4					
69	02020189	KISICI	RESTRICTOR	1					
70	80615000	NİPEL	ADAPTER	1					
71	N163790073	T ADAPTÖR	TEE	1					
72	664222H075	HORTUM KOMPLESİ	HOSE ASS'Y	1					
73	N163430940	NİPEL	ADAPTOR	1					
74	N030000015	O-RİNGLİ PUL	WASHER	2					
75	F1899229	ÇEK VALF	CHECK VALVE	1					0.5 BAR

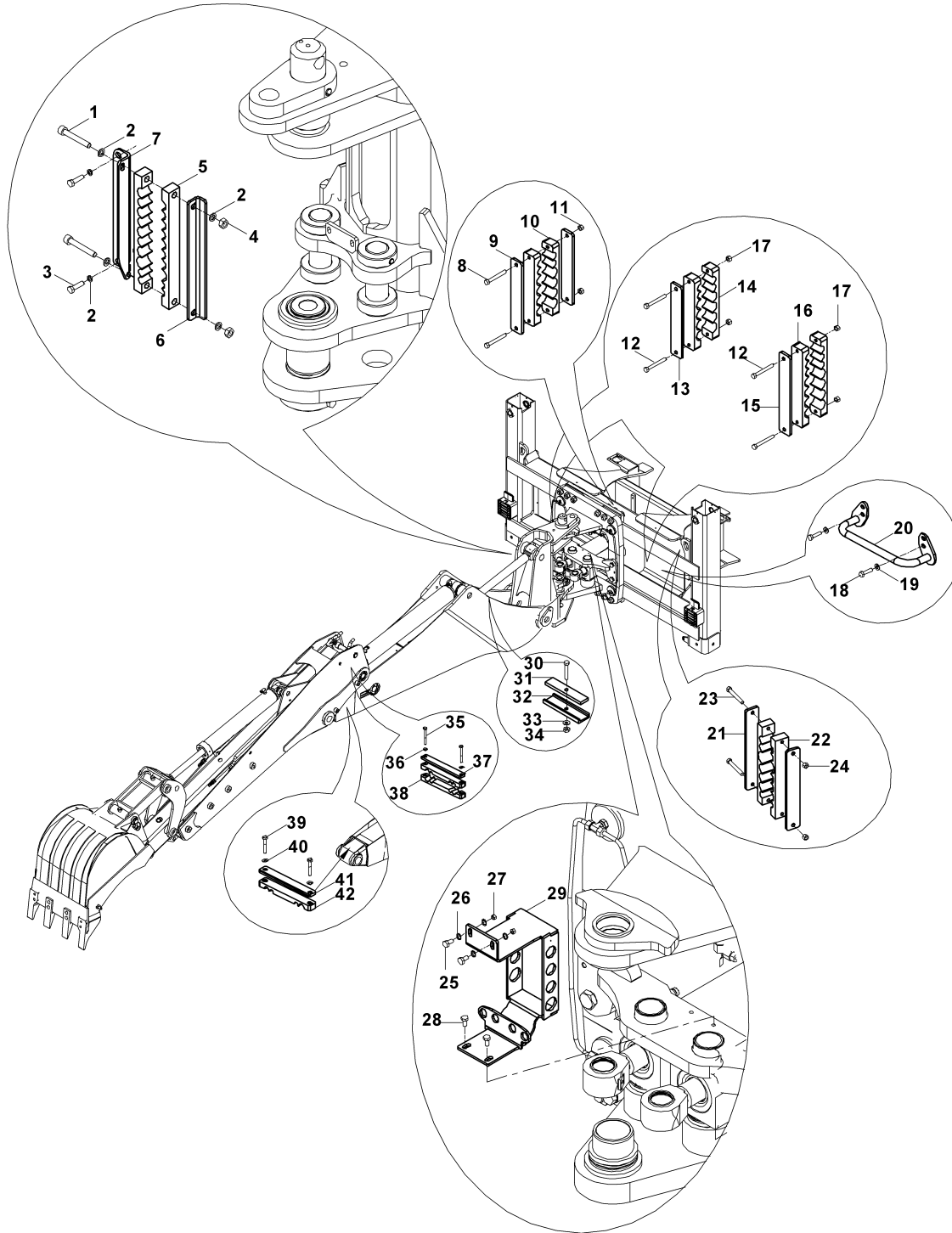
HORTUM TUTUCU SETİ (STD. ARM)
HOSE HOLDER SET (STD. ARM)



**HORTUM TUTUCU SETİ (STD. ARM)
HOSE HOLDER SET (STD. ARM)**

No	Parça No	Parça Adı	Description	Adet	S.K.	Bas.S.N	Bit.S.N	Y.K.	Not
No	Part no			Qty	SC	S/N from	S/N to	ICA	Note
1	81049004	HORTUM TUTUCU	HOSE HOLDER	1					
2	N015890914	CIVATA	BOLT	2					M10x70
3	N010232486	CIVATA	BOLT	2					M10x30
4	N030810015	PUL	WASHER	6					
5	N072130040	HORTUM TUTUCU, KAUÇUK	HOSE HOLDER, RUBBER	2					
6	81049012	BRACKET	BRACKET, HOSE HOLDER	1					
7	N025910086	SOMUN	NUT	2					
8	N015890398	CIVATA	BOLT	2					M6x50
9	N072130200	HORTUM TUTUCU, KAUÇUK	HOSE HOLDER, RUBBER	2					
10	81049032	SAC, HORTUM TUTUCU	PLATE, HOSE HOLDER	2					
11	N025910050	SOMUN	NUT	2					
12	N015890398	CIVATA	BOLT	4					M6x50
13	81049032	SAC, HORTUM TUTUCU	PLATE, HOSE HOLDER	1					
14	N072130200	HORTUM TUTUCU, KAUÇUK	HOSE HOLDER, RUBBER	2					
15	N025910050	SOMUN	NUT	4					
16	81049022	SAC, HORTUM TUTUCU	PLATE, HOSE HOLDER	1					
17	N072130210	HORTUM TUTUCU, KAUÇUK	HOSE HOLDER, RUBBER	2					
18	N010232078	CIVATA	BOLT	2					M8x16
19	N030810014	PUL	WASHER	2					
20	01920365	HORTUM ASKISI	SLING, HOSE	1					
21	N015890398	CIVATA	BOLT	2					M6x50
22	81049022	SAC, HORTUM TUTUCU	PLATE, HOSE HOLDER	2					
23	N072130210	HORTUM TUTUCU, KAUÇUK	HOSE HOLDER, RUBBER	2					
24	N025910050	SOMUN	NUT	2					
25	N010232186	CIVATA	BOLT	2					M8x40
26	N030810014	PUL	WASHER	6					
27	N025910062	SOMUN	NUT	2					
28	01990989	BRACKET	BRACKET	1					
29	N010232078	CIVATA	BOLT	2					M8x16
30	N010380674	CIVATA	BOLT	1					M10x60
31	81049043	SAC	PLATE	1					
32	81048111	LASTİK	RUBBER	1					
33	N025910086	SOMUN	NUT	1					
34	N030020121	PUL	WASHER	1					
35	N010380410	CIVATA	BOLT	2					M8x50
36	N030810014	PUL	WASHER	2					
37	81049056	BRACKET	BRACKET, HOSE HOLDER	1					
38	N072130145	HORTUM TUTUCU, KAUÇUK	HOSE HOLDER, RUBBER	1					

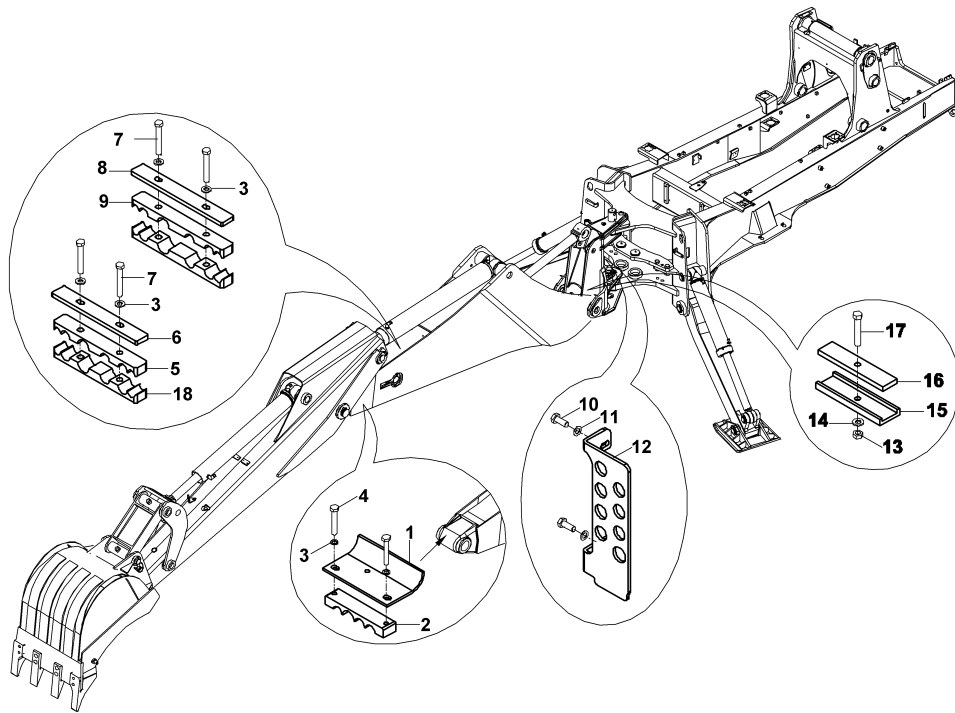
HORTUM TUTUCU SETİ (TELESKOPIK) (OP)
HOSE HOLDER SET (TELESCOPIC ARM) (OP)



HORTUM TUTUCU SETİ (TELESKOPIK) (OP)
HOSE HOLDER SET (TELESCOPIC ARM) (OP)

No	Parça No	Parça Adı		Adet	S.K.	Bas.S.N	Bit.S.N	Y.K.	Not
No	Part no	Description		Qty	SC	S/N from	S/N to	ICA	Note
1	N015890914	CIVATA	BOLT	2					M10x70
2	N030810015	PUL	WASHER	6					
3	N010232486	CIVATA	BOLT	2					M10x30
4	N025910086	SOMUN	NUT	2					
5	N072130017	HORTUM TUTUCU, KAUÇUK	HOSE HOLDER, RUBBER	2					
6	81049012	BRAKET	BRACKET, HOSE HOLDER	1					
7	81049004	HORTUM TUTUCU	HOSE HOLDER	1					
8	N015890398	CIVATA	BOLT	2					M6x60
9	81049021	SAC, HORTUM TUTUCU	PLATE, HOSE HOLDER	2					
10	N072130201	HORTUM TUTUCU, KAUÇUK	HOSE HOLDER, RUBBER	2					
11	N025910050	SOMUN	NUT	2					
12	N015890398	CIVATA	BOLT	2					M6x60
13	81049021	SAC, HORTUM TUTUCU	PLATE, HOSE HOLDER	1					
14	N072130201	HORTUM TUTUCU, KAUÇUK	HOSE HOLDER, RUBBER	2					
15	81049023	BRAKET	BRACKET, HOSE HOLDER	1					
16	N072130211	HORTUM TUTUCU, KAUÇUK	HOSE HOLDER, RUBBER	2					
17	N025910050	SOMUN	NUT	2					
18	N010232078	CIVATA	BOLT	2					M8x16
19	N030810014	PUL	WASHER	2					
20	01920365	HORTUM ASKISI	SLING, HOSE	1					
21	81049023	BRAKET	BRACKET, HOSE HOLDER	2					
22	N072130211	HORTUM TUTUCU, KAUÇUK	HOSE HOLDER, RUBBER	2					
23	N015890398	CIVATA	BOLT	2					M6x60
24	N025910050	SOMUN	NUT	2					
25	N010232186	CIVATA	BOLT	2					M8x40
26	N030810014	PUL	WASHER	4					
27	N025910062	SOMUN	NUT	2					
28	N010232078	CIVATA	BOLT	2					M8x15
29	01990989	BRAKET	BRACKET	1					
30	N010380674	CIVATA	BOLT	1					M10x60
31	81049043	SAC	PLATE	1					
32	81048111	LASTİK	RUBBER	1					
33	N030020121	PUL	WASHER	1					
34	N025910086	SOMUN	NUT	1					
35	N010380470	CIVATA	BOLT	2					M8x70
36	N030810014	PUL	WASHER	2					
37	81049055	BRAKET	BRACKET, HOSE HOLDER	1					
38	N072130164	HORTUM TUTUCU, KAUÇUK	HOSE HOLDER, RUBBER	2					
39	N010380410	CIVATA	BOLT	2					M8x50
40	N030810014	PUL	WASHER	2					
41	81049056	BRAKET	BRACKET, HOSE HOLDER	1					
42	N072130157	HORTUM TUTUCU, KAUÇUK	HOSE HOLDER, RUBBER	1					

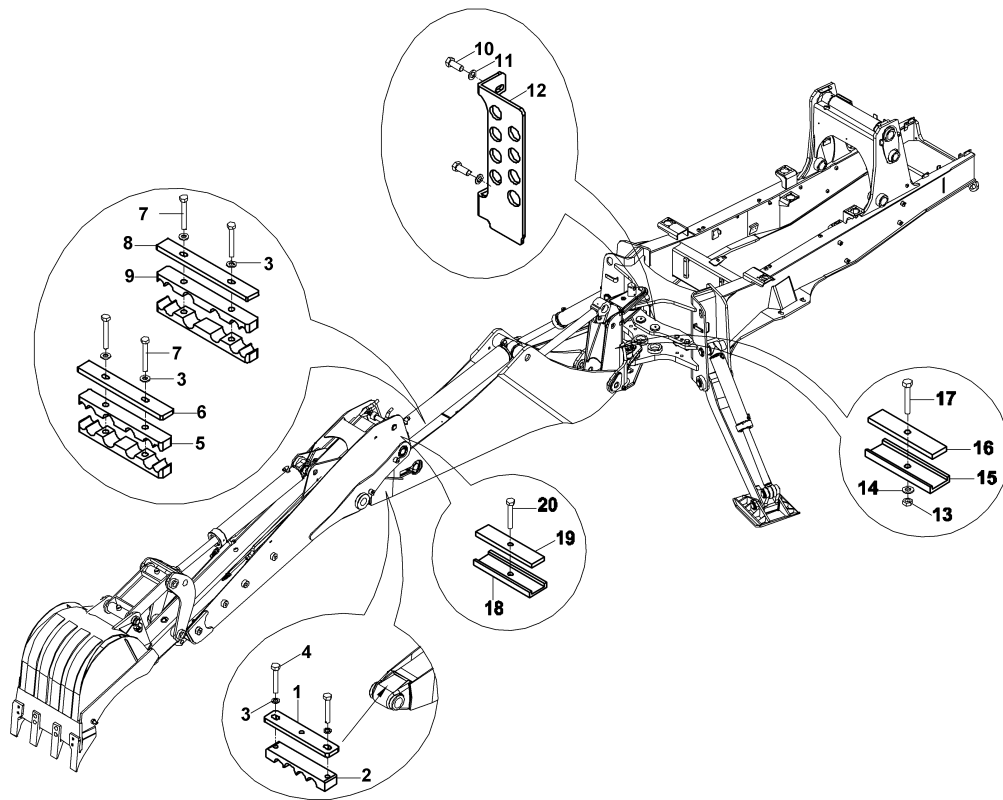
HORTUM TUTUCU SETİ (KAZ AYAK) HOSE HOLDER SET (WING TYPE STABILIZER)



HORTUM TUTUCU SETİ (KAZ AYAK)
HOSE HOLDER SET (WING TYPE STABILIZER)

No	Parça No	Parça Adı	Description	Adet	S.K.	Bas.S.N	Bit.S.N	Y.K.	Not
No	Part no			Qty	SC	S/N from	S/N to	ICA	Note
1	81049046	SAC, HORTUM TUTUCU	PLATE, HOSE HOLDER	1					
2	N072130133	HORTUM TUTUCU, KAUÇUK	HOSE HOLDER, RUBBER	1					
3	N030020018	PUL	WASHER	4					M10
4	N010380410	CIVATA	BOLT	2					M8x50
5	N072130140	HORTUM TUTUCU, KAUÇUK	HOSE HOLDER, RUBBER	1					
6	81049041	SAC	PLATE	1					
7	N010380446	CIVATA	BOLT	4					M8x60
8	81049038	SAC	PLATE	1					
9	N072130139	HORTUM TUTUCU, KAUÇUK	HOSE HOLDER, RUBBER	1					
10	N010232486	CIVATA	BOLT	2					M10x30
11	N030020018	PUL	WASHER	2					M10
12	02012142	DUVAR NİPELİ SACI	BRACKET	1					
13	N025910086	SOMUN	NUT	1					M10
14	N030020121	PUL	WASHER	1					
15	81048111	LASTİK	RUBBER	1					
16	81049043	SAC	PLATE	1					
17	N010232534	CIVATA	BOLT	1					M10x50

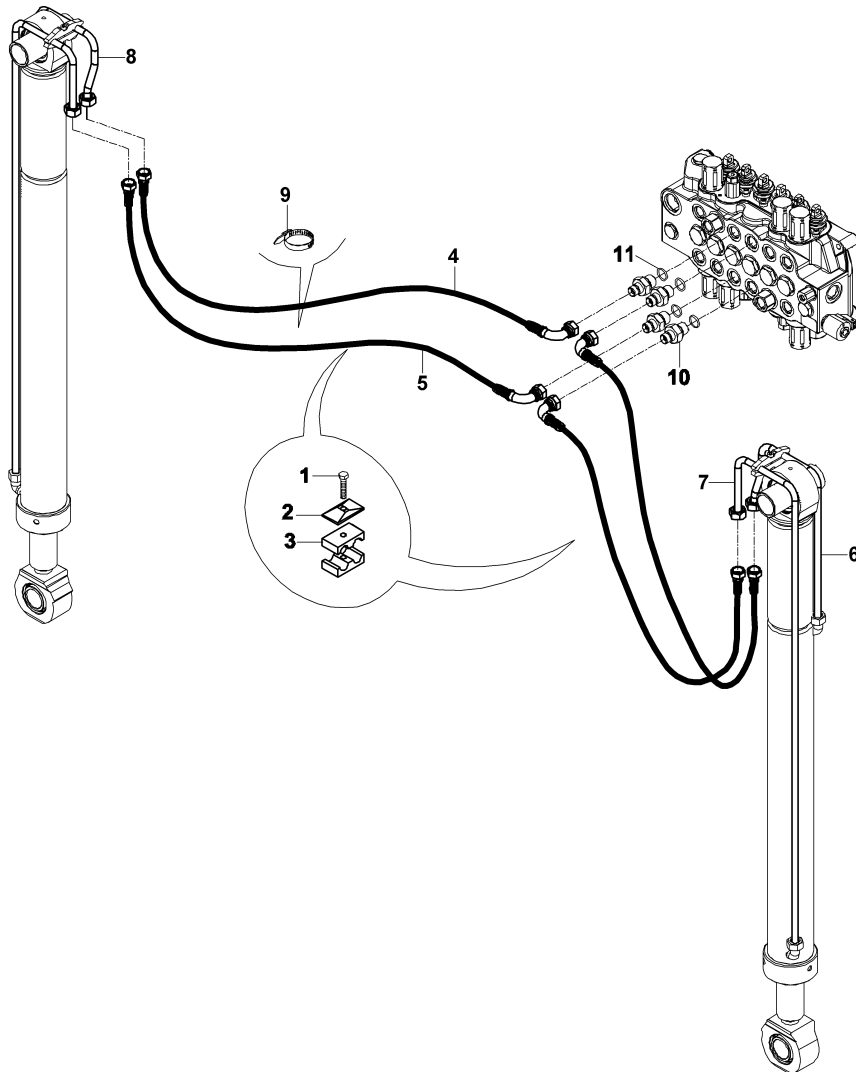
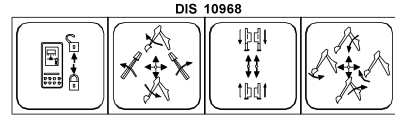
HORTUM TUTUCU SETİ (KAZ AYAK)
HOSE HOLDER SET (WING TYPE STABILIZER)



**HORTUM TUTUCU SETİ (KAZ AYAK)
HOSE HOLDER SET (WING TYPE STABILIZER)**

No	Parça No	Parça Adı	Description	Adet	S.K.	Bas.S.N	Bit.S.N	Y.K.	Not
No	Part no			Qty	SC	S/N from	S/N to	ICA	Note
1	81049045	BRACKET	BRACKET, HOSE HOLDER	1					
2	N072130100	HORTUM TUTUCU, KAUÇUK	HOSE HOLDER, RUBBER	1					
3	N030020011	PUL	WASHER	8					M8
4	N010380410	CIVATA	BOLT	3					M8x50
5	N072130132	HORTUM TUTUCU, KAUÇUK	HOSE HOLDER, RUBBER	2					
6	81049041	SAC	PLATE	1					
7	N010380446	CIVATA	BOLT	4					M8x60
8	81049038	SAC	PLATE	1					
9	N072130122	HORTUM TUTUCU, KAUÇUK	HOSE HOLDER, RUBBER	2					
10	N010232486	CIVATA	BOLT	2					M10x30
11	N030020018	PUL	WASHER	2					M10
12	02012142	DUVAR NİPELİ SACI	BRACKET	1					
13	N025910086	SOMUN	NUT	1					
14	N030020121	PUL	WASHER	4					
15	81048111	LASTİK	RUBBER	1					
16	81049043	SAC	PLATE	1					
17	N010380674	CIVATA	BOLT	1					M10x60
18	81048112	LASTİK	RUBBER	1					
19	81049044	SAC	PLATE	1					
20	N010380410	CIVATA	BOLT	3					M8x50

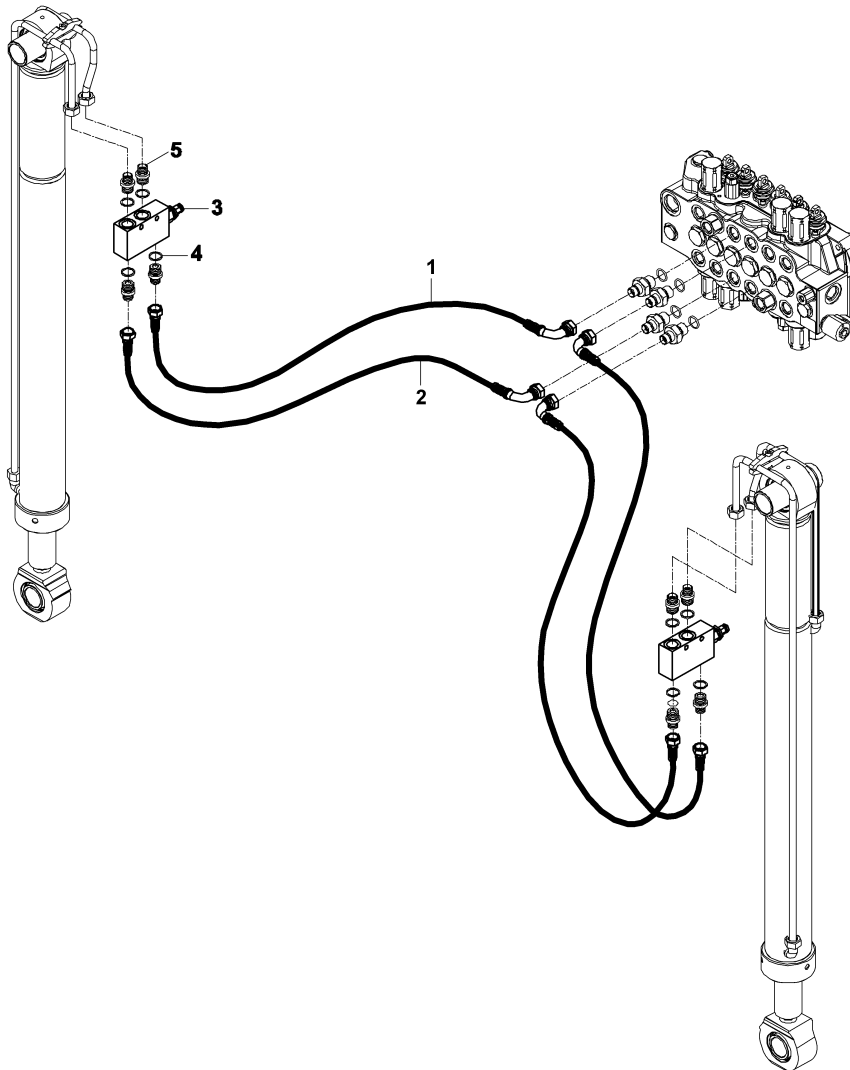
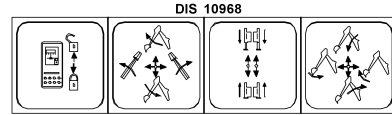
HİDROLİK TESİSAT, AYAK SİLİNDİRİ HYD. PIPING, STABILIZER CYLINDER



**HİDROLİK TESİSAT, AYAK SİLİNDİRİ
HYD. PIPING, STABILIZER CYLINDER**

No	Parça No	Parça Adı	Adet	S.K.	Bas.S.N	Bit.S.N	Y.K.	Not
No	Part no	Description	Qty	SC	S/N from	S/N to	ICA	Note
1	N010380398	CIVATA	2					M8x45
2	N073016002	KELEPÇE ÜST PARÇASI	2					
3	N073016003	KELEPÇE	4					
4	663112A150	HORTUM KOMPLESİ	2					
5	663112N155	HORTUM KOMPLESİ	2					
6	45251463	BORU KOMPLESİ	1					
7	45251447	BORU KOMPLESİ	2					
8	45251466	BORU KOMPLESİ	1					
9	51012200	KABLO BAĞI	4					
10	80624060	NİPEL	4					
11	N102001924	O-RİNG	4					

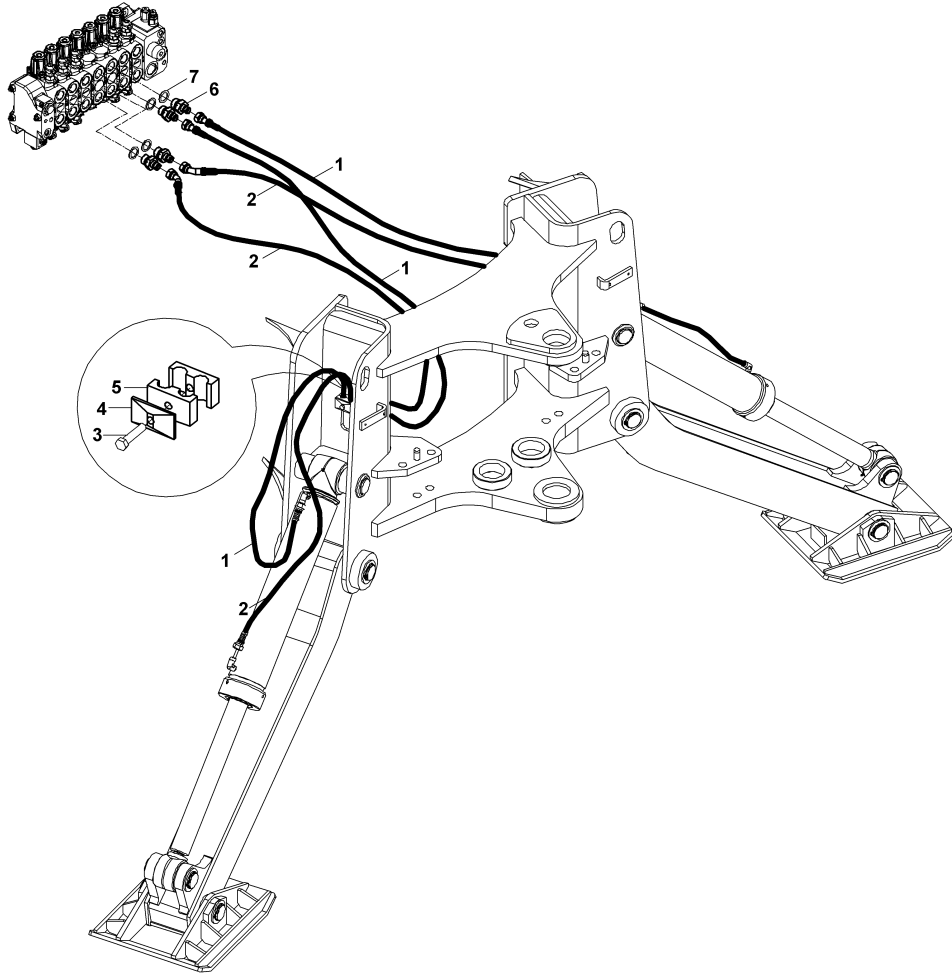
HİDROLİK TESİSAT, AYAK SİLİNDİRİ (KİLİT VALFLİ) (OP)
HYD. PIPING, STABILIZER CYLINDER (WITH SAFETY LOCKING VALVE) (OP)



HİDROLİK TESİSAT, AYAK SİLİNDİRİ (KİLİT VALFLİ) (OP)
HYD. PIPING, STABILIZER CYLINDER (WITH SAFETY LOCKING VALVE) (OP)

No	Parça No	Parça Adı	Adet	S.K.	Bas.S.N	Bit.S.N	Y.K.	Not
No	Part no	Description	Qty	SC	S/N from	S/N to	ICA	Note
1	6631120140	HORTUM KOMPLESİ	2					
2	6631126145	HORTUM KOMPLESİ	2					
3	F1899400	KİLİT VALFİ KOMPLESİ	2					
3	F1899401	KİLİT VALFİ KOMPLESİ, AYAK SİLİNDİRİ	2					
4	N030000015	O-RİNGLİ PUL	8					
4	N030000005	O-RİNGLİ PUL	8					
5	N163430849	NİPEL	8					
5	80624018	NİPEL	8					

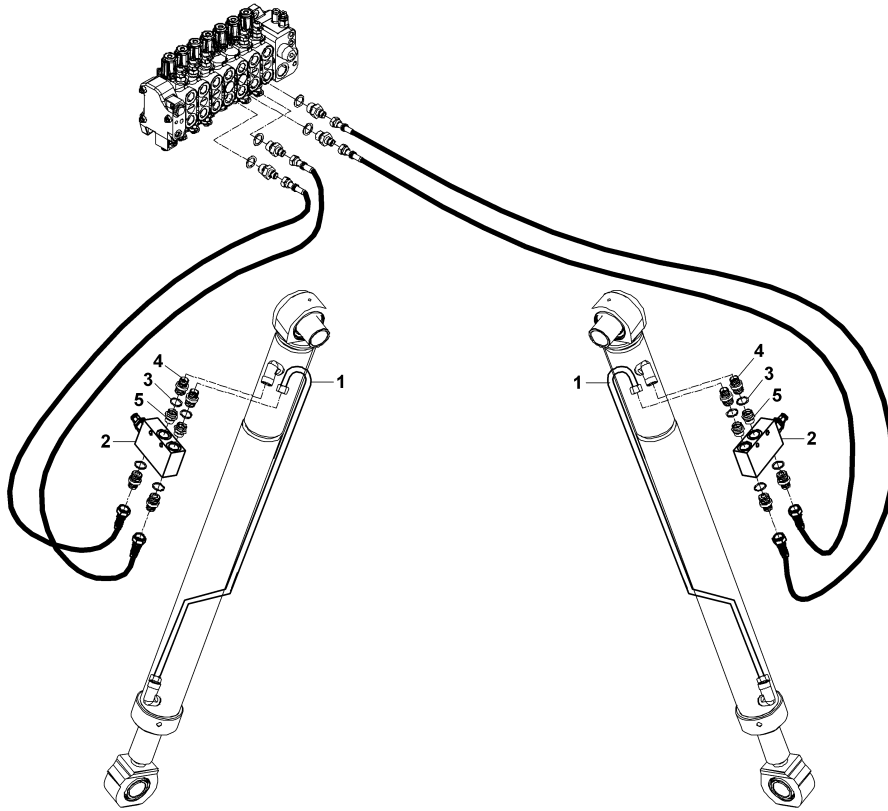
HİDROLİK TESİSATI, AYAK SİLİNDİRİ (KAZ AYAK)
HYDRAULIC PIPING, RAM, STABILIZER (WING TYPE)



HİDROLİK TESİSATI, AYAK SİLİNDİRİ (KAZ AYAK)
HYDRAULIC PIPING, RAM, STABILIZER (WING TYPE)

No	Parça No	Parça Adı	Adet	S.K.	Bas.S.N	Bit.S.N	Y.K.	Not
No	Part no	Description	Qty	SC	S/N from	S/N to	ICA	Note
1	6631120175	HORTUM KOMPLESİ	2					
2	6631126180	HORTUM KOMPLESİ	2					
3	N010380398	CIVATA	2					M8x45
4	N073016003	KELEPÇE	2					
5	N073016002	KELEPÇE ÜST PARÇASI	4					
6	80624619	NİPEL	4					
7	N030000025	O-RİNGLİ PUL	4					

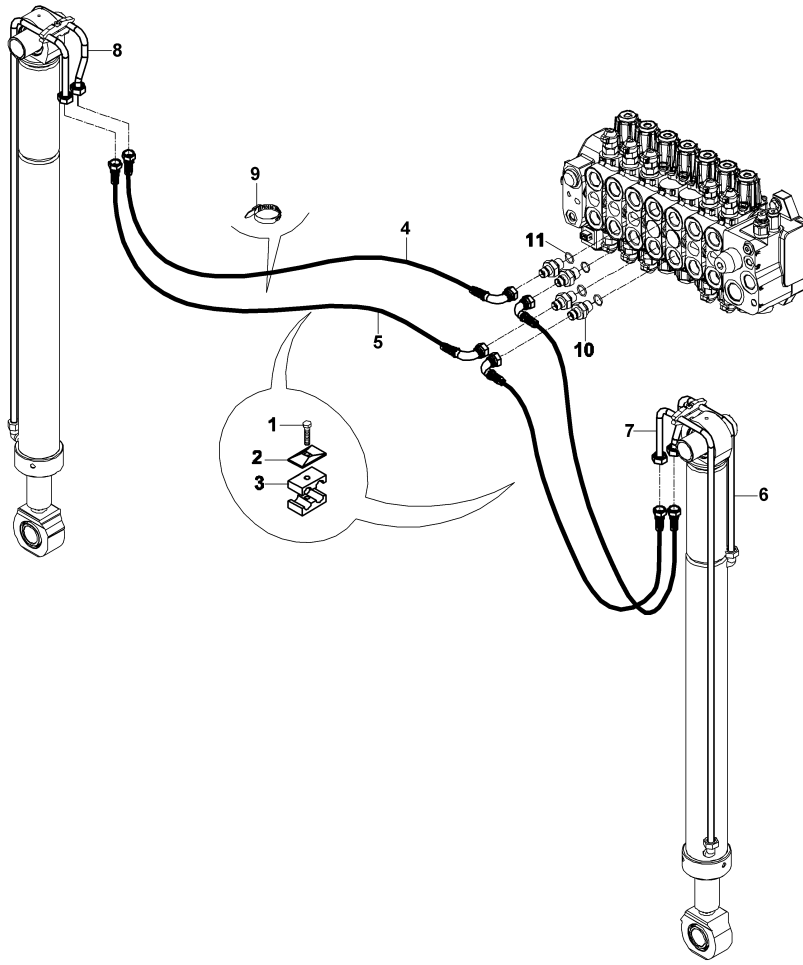
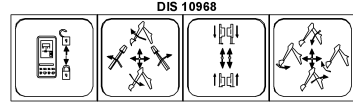
HİDROLİK TESİSATI, AYAK SİLİNDİRİ (KAZ AYAK)
HYDRAULIC PIPING, RAM, STABILISER (WING TYPE)



HİDROLİK TESİSATI, AYAK SİLİNDİRİ (KAZ AYAK)
HYDRAULIC PIPING, RAM, STABILISER (WING TYPE)

No	Parça No	Parça Adı	Adet	S.K.	Bas.S.N	Bit.S.N	Y.K.	Not
No	Part no	Description	Qty	SC	S/N from	S/N to	ICA	Note
1	45251461	TESİSAT BORUSU K.M.	2					
2	F1899401	KİLİT VALFİ KOMPLESİ, AYAK SİLİNDİRİ	2					
3	N030000005	O-RİNGLİ PUL	8					
4	80624018	NİPEL	8					
5	80699917	NİPEL, RAKORLU	4					

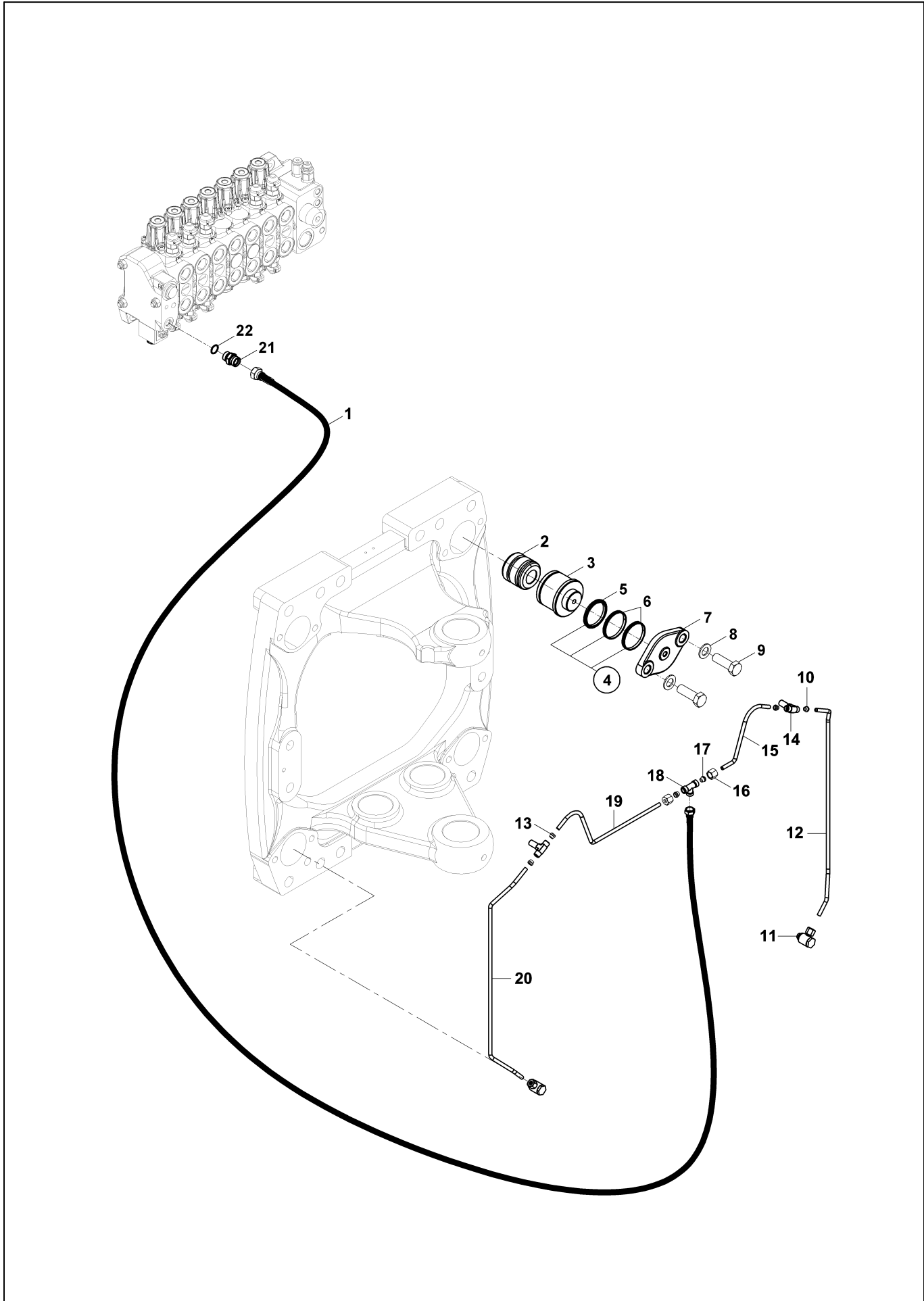
HİDROLİK TESİSAT, AYAK SİLİNDİRİ (TİP B)
HYDRAULIC PIPING, STABILIZER CYLINDER (TYPE B)



HİDROLİK TESİSAT, AYAK SİLİNDİRİ (TİP B)
HYDRAULIC PIPING, STABILIZER CYLINDER (TYPE B)

No	Parça No	Parça Adı	Adet	S.K.	Bas.S.N	Bit.S.N	Y.K.	Not
No	Part no	Description	Qty	SC	S/N from	S/N to	ICA	Note
1	N010380398	CIVATA	2					M8x45
2	N073016002	KELEPÇE ÜST PARÇASI	2					
3	N073016003	KELEPÇE	4					
4	663112A150	HORTUM KOMPLESİ	2					
5	663112N155	HORTUM KOMPLESİ	2					
6	45251463	BORU KOMPLESİ	1					
7	45251447	BORU KOMPLESİ	2					
8	45251466	BORU KOMPLESİ	1					
9	51012200	KABLO BAĞI	4					
10	80624619	NİPEL	4					
11	N030000025	O-RİNGLİ PUL	4					

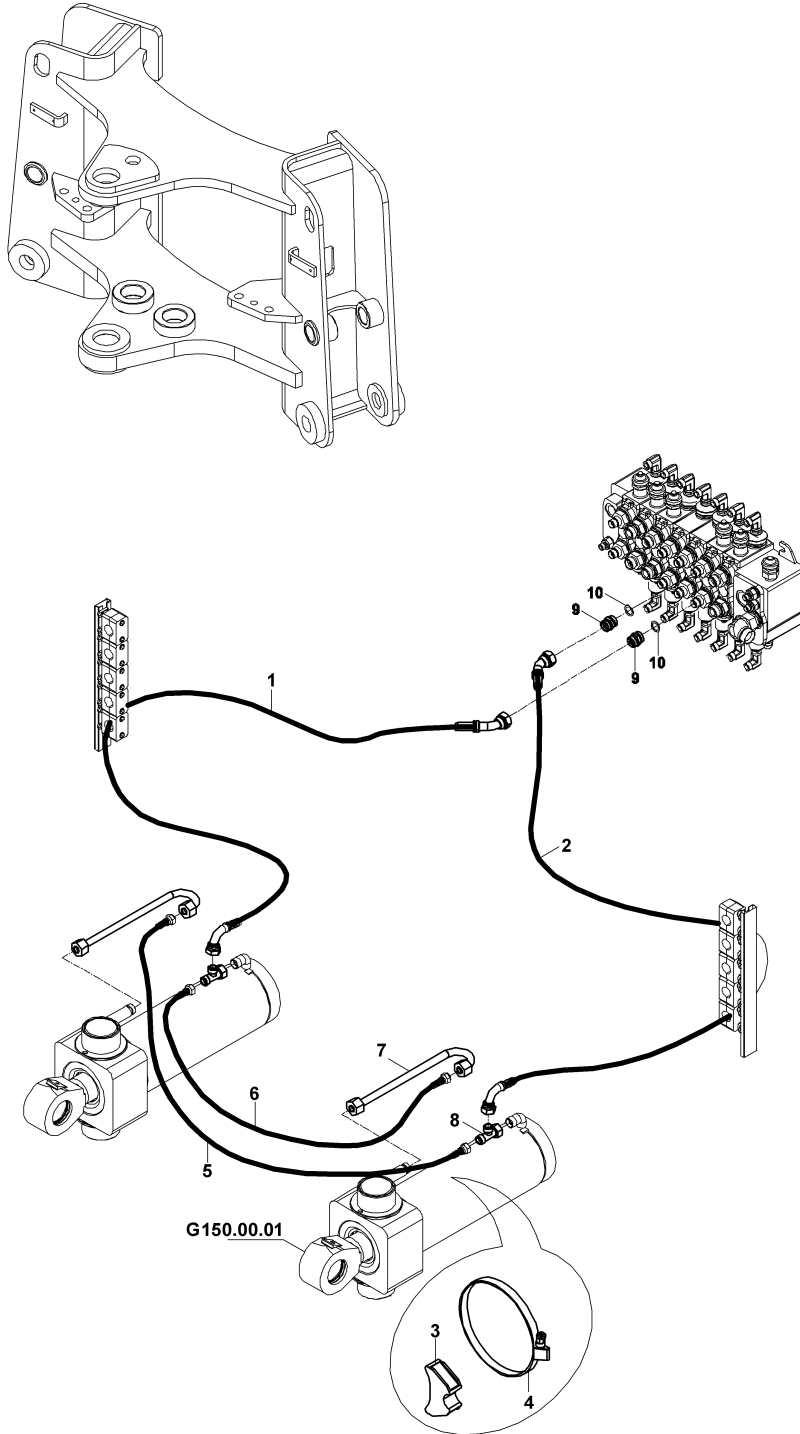
HİDROLİK TESİSATI, SIKMA PİSTONU (TİP B)
 HYDRAULIC PIPING, HYDROCLAMP (TYPE B)



HİDROLİK TESİSATI, SIKMA PİSTONU (TİP B)
HYDRAULIC PIPING, HYDROCLAMP (TYPE B)

No	Parça No	Parça Adı	Description	Adet	S.K.	Bas.S.N	Bit.S.N	Y.K.	Not
No	Part no			Qty	SC	S/N from	S/N to	ICA	Note
1	6620028175	HORTUM KOMPLESİ	HOSE ASS'Y	1					
2	20109441	PİSTON	PISTON	4					
3	02021691	SIKMA SİLİNDİR KOVANI	SLEEVE	4					
4	S4880730	KEÇE TAKIMI, PİSTON	SEAL KIT, PISTON	4	(K1)				
5	N103607010	PİSTON KEÇESİ	SEAL, PISTON	1	K1				
6	N101657097	PİSTON KEÇESİ	SEAL, PISTON	2	K1				
7	20506001	FLANŞ	FLANGE	4					
8	N030100031	PUL	WASHER	8					M20
9	N010234320	CIVATA	BOLT	8					M20x60
10	N173570115	YÜKSÜKLÜ SOMUN	NUT	4					
11	F9900400	DİRSEK	ELBOW	2					
12	45151760	TESİSAT BORUSU, SAĞ	PIPE, RIGHT	1					
13	N183570115	YÜKSÜK	RING	4					
14	N166631082	NİPEL	ADAPTER	2					
15	45151714	TESİSAT BORUSU	PIPE	1					
16	N173570150	YÜKSÜKLÜ SOMUN	NUT	2					
17	N183570150	YÜKSÜK	RING	2					
18	N163570143	T ADAPTÖR	TEE	1					
19	45151701	TESİSAT BORUSU	PIPE	1					
20	45151761	TESİSAT BORUSU, SOL	PIPE, LEFT	1					
21	N163430814	NİPEL	ADAPTER	1					
22	N030000004	O-RİNGLİ PUL	WASHER	1					

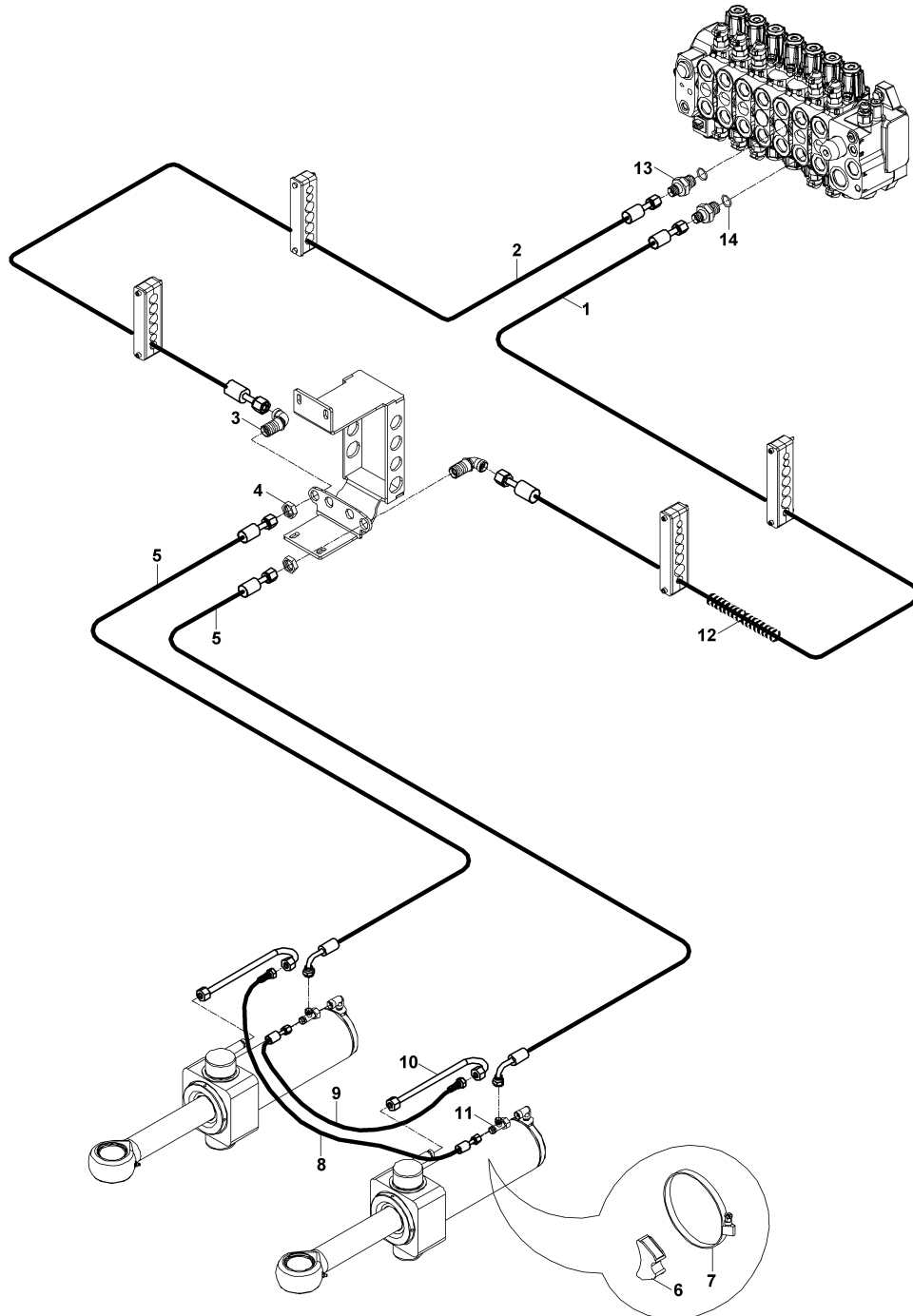
HİDROLİK TESİSAT, DÖNÜŞ SİLİNDİRİ (KAZ AYAK) HYD. PIPING, SWING CYLINDER (WING TYPE STABILIZER)



**HİDROLİK TESİSAT, DÖNÜŞ SİLİNDİRİ (KAZ AYAK)
HYD. PIPING, SWING CYLINDER (WING TYPE STABILIZER)**

No	Parça No	Parça Adı	Adet	S.K.	Bas.S.N	Bit.S.N	Y.K.	Not
No	Part no	Description	Qty	SC	S/N from	S/N to	ICA	Note
1	66311M8120	HORTUM	1					
2	66311M8130	HORTUM	1					
3	81400360	KELEPÇE ALTLIĞI	2					
4	N074120140	KELEPÇE	2					
5	663112A044	HORTUM KOMPLESİ	1					
6	663112A053	HORTUM KOMPLESİ	1					
7	45250163	BORU KOMPLESİ	2					
8	N163790038	T ADAPTÖR	2					
9	80624619	NİPEL	2					
10	N030000025	O-RİNGLİ PUL	2					

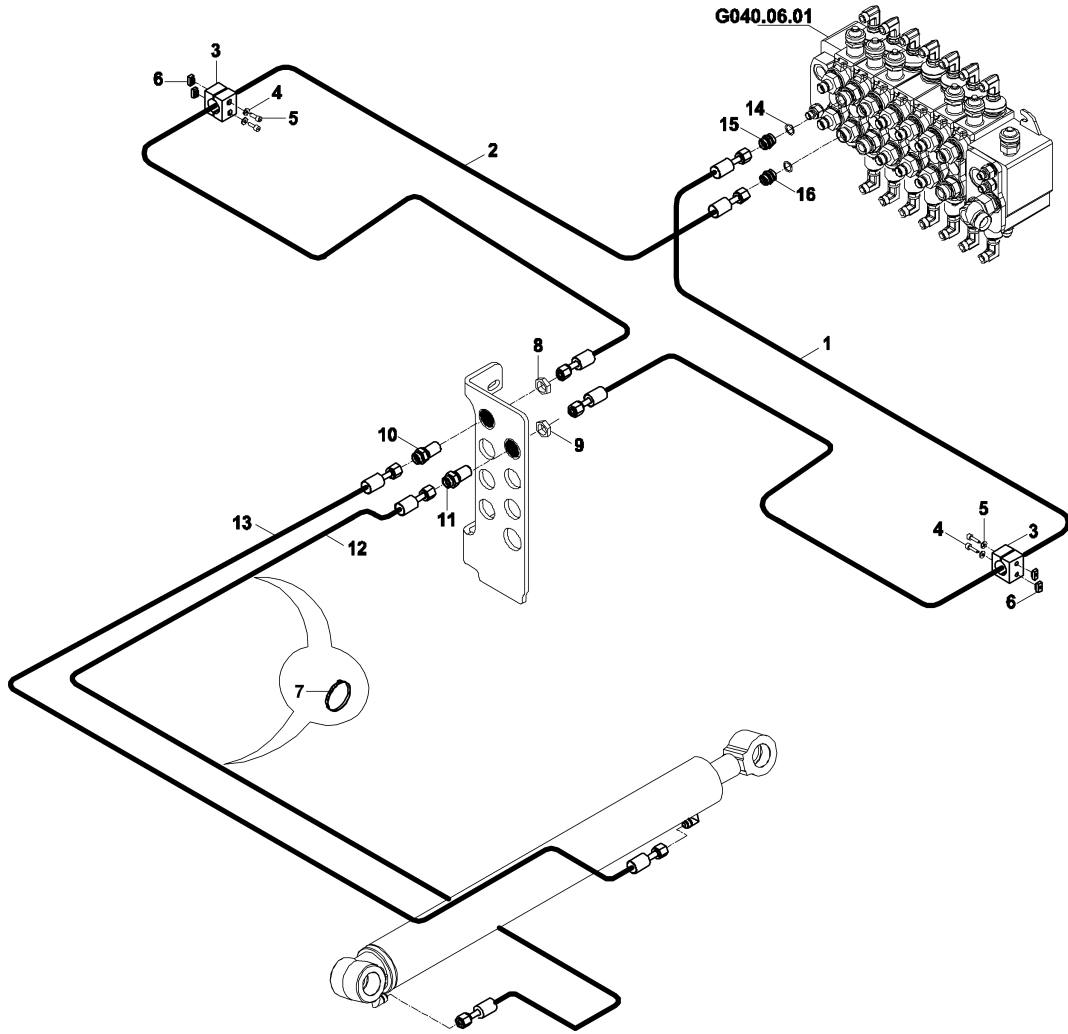
HİDROLİK TESİSAT, DÖNÜŞ SİLİNDİRİ (TİP B)
HYDRAULIC PIPING, SWING CYLINDER (TYPE B)



HİDROLİK TESİSAT, DÖNÜŞ SİLİNDİRİ (TİP B)
HYDRAULIC PIPING, SWING CYLINDER (TYPE B)

No	Parça No	Parça Adı	Description	Adet	S.K.	Bas.S.N	Bit.S.N	Y.K.	Not
No	Part no			Qty	SC	S/N from	S/N to	ICA	Note
1	6631120150	HORTUM KOMPLESİ	HOSE ASS'Y	1					
2	6631120165	HORTUM KOMPLESİ	HOSE ASS'Y	1					
3	N163610129	DUVAR NİPELİ	ADAPTER	2					
4	80400632	SOMUN	NUT, SPECIAL	2					
5	66311M1065	HORTUM KOMPLESİ	HOSE ASS'Y	2					
6	81400362	KELEPÇE ALTLIĞI	CLAMP SUPPORT	2					
7	N074120140	KELEPÇE	CLAMP BODY	2					
8	663112A053	HORTUM KOMPLESİ	HOSE ASS'Y	1					
9	663112A044	HORTUM KOMPLESİ	HOSE ASS'Y	1					
10	45250163	BORU KOMPLESİ	PIPE ASS'Y	2					
11	N163790038	T ADAPTÖR	TEE	2					
12	H134203800	HORTUM KORUYUCU	HOSE PROTECTOR	0,5					METRE/METERS
13	80624619	NİPEL	ADAPTER	2					
14	N030000025	O-RİNGLİ PUL	WASHER	2					

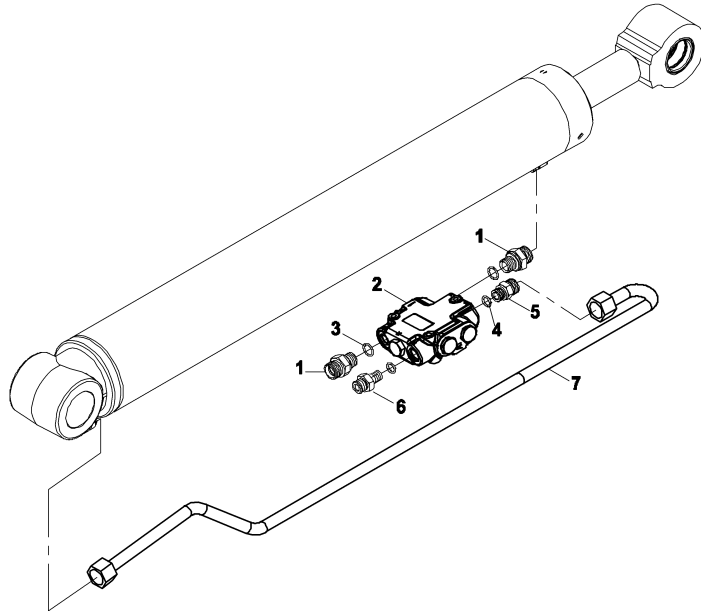
KAZICI HİDROLİK TESİSATI, BOM SİLİNDİRİ (KAZ AYAK)
BACKHOE HYDRAULIC PIPING, BOOM CYLINDER (WING TYPE STABILIZER)



**KAZICI HİDROLİK TESİSATI, BOM SİLİNDİRİ (KAZ AYAK)
BACKHOE HYDRAULIC PIPING, BOOM CYLINDER (WING TYPE STABILIZER)**

No	Parça No	Parça Adı		Adet	S.K.	Bas.S.N	Bit.S.N	Y.K.	Not
No	Part no		Description	Qty	SC	S/N from	S/N to	ICA	Note
1	6653326120	HORTUM KOMPLESİ	HOSE ASS'Y.	1					
2	6642226145	HORTUM KOMPLESİ	HOSE ASS'Y	1					
3	N072023503	KELEPÇE GÖVDESİ	CLAMP, BODY	4					
4	N015890362	CIVATA	BOLT	4					M6x35
5	N030100013	PUL	WASHER	4					M6
6	N027180028	SOMUN	NUT	4					M6
7	51012200	KABLO BAĞI	TIE, CABLE	3					
8	80400636	ÖZEL SOMUN	NUT	1					M26x1.5
9	80400634	SOMUN	NUT, SPECIAL	1					M24x1.5
10	80624064	NİPEL	ADAPTER	1					
11	80624063	NİPEL	ADAPTER	1					
12	6653326240	HORTUM	HOSE	1					
13	6642226235	HORTUM	HOSE	1					
14	80624126	NİPEL	ADAPTER	1					
15	N030000025	O-RİNGLİ PUL	WASHER	2					
16	80624742	NİPEL	ADAPTER	1					

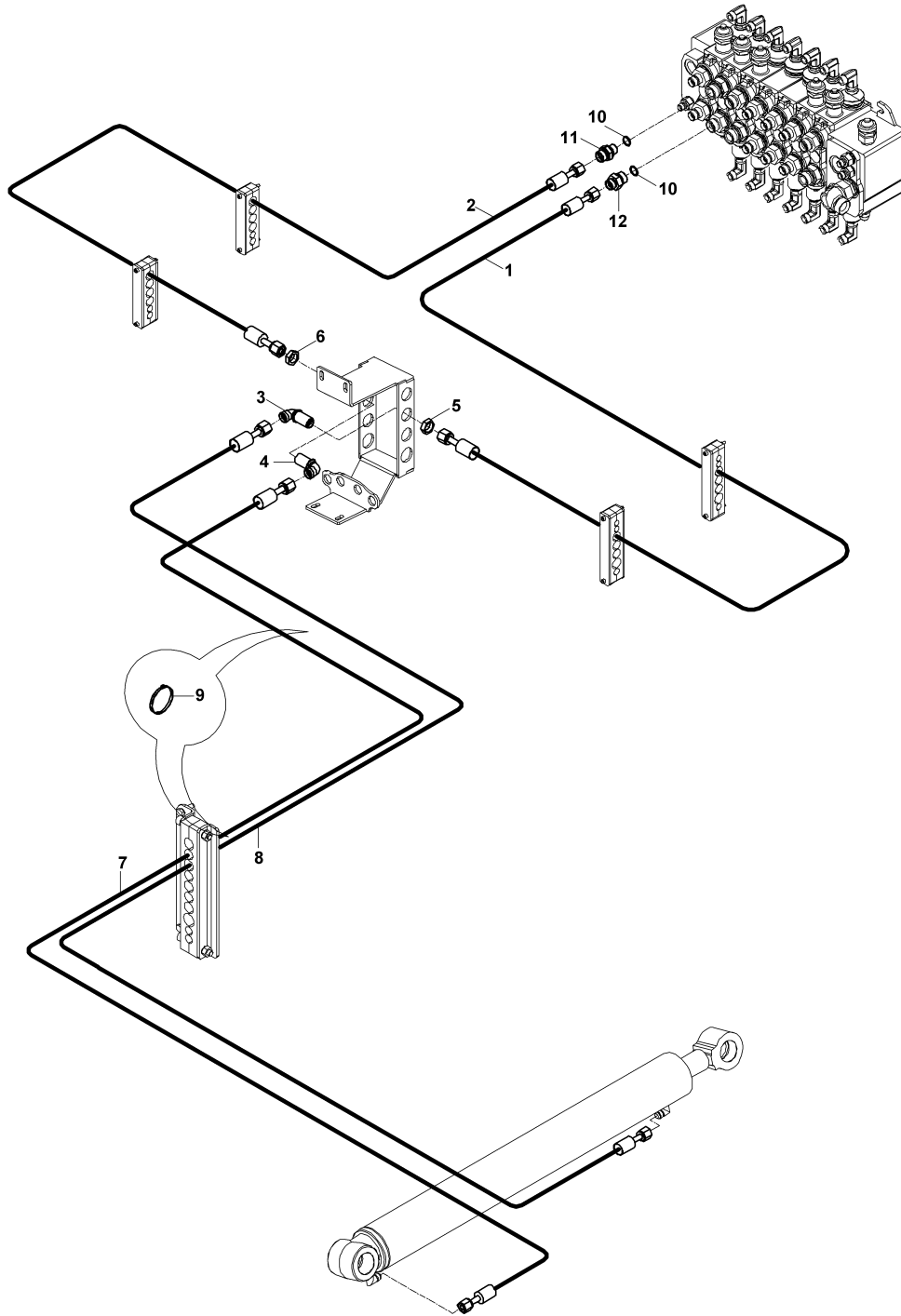
**KAZICI HİDROLİK TESİSATI, BOM SİLİNDİRİ (EMNİYET VALFLİ, KAZ AYAK)
BACKHOE HYD.PIPING, BOOM CYLINDER (WITH SAFETY LOCK VALVE, WING TYPE)**



**KAZICI HİDROLİK TESİSATI, BOM SİLİNDİRİ (EMNİYET VALFLİ, KAZ AYAK)
BACKHOE HYD.PIPING,BOOM CYLINDER(WITH SAFETY LOCK VALVE,WING TYPE**

No	Parça No	Parça Adı	Adet	S.K.	Bas.S.N	Bit.S.N	Y.K.	Not
No	Part no	Description	Qty	SC	S/N from	S/N to	ICA	Note
1	80624090	NİPEL	ADAPTER	2				
2	F1823810	EMNİYET KİLİT VALFİ, BOM	SAFETY LOCK VALVE, BOOM	1				
3	N102001923	O-RİNG	O-RING	2				
4	N102001526	O-RİNG	O-RING	2				
5	80624524	NİPEL	ADAPTER	1				
6	80602304	NİPEL	ADAPTER	1				
7	45251610	BORU KOMPLESİ	PIPE ASSY	1				

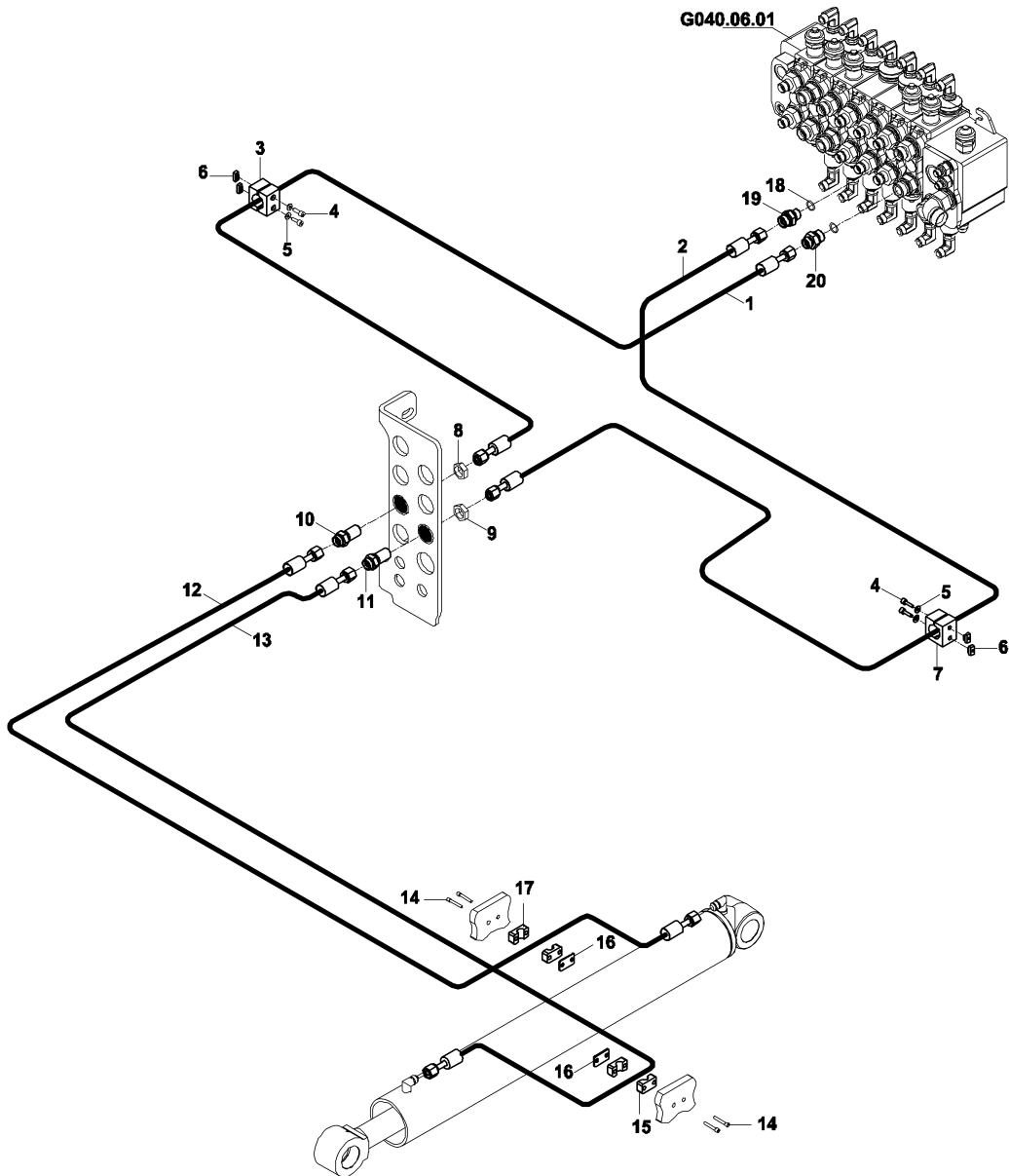
KAZICI HİDROLİK TESİSATI, BOM SİLİNDİRİ (TİP B)
BACKHOE HYDRAULIC PIPING, BOOM CYLINDER (TYPE B)



KAZICI HİDROLİK TESİSATI, BOM SİLİNDİRİ (TİP B)
BACKHOE HYDRAULIC PIPING, BOOM CYLINDER (TYPE B)

No	Parça No	Parça Adı	Adet	S.K.	Bas.S.N	Bit.S.N	Y.K.	Not
No	Part no	Description	Qty	SC	S/N from	S/N to	ICA	Note
1	6653326120	HORTUM KOMPLESİ	1					
2	6642226145	HORTUM KOMPLESİ	1					
3	N072023503	KELEPÇE GÖVDESİ	4					
4	N015890362	CIVATA	4					M6x35
5	N030100013	PUL	4					M6
6	N027180028	SOMUN	4					M6
7	51012200	KABLO BAĞI	3					
8	80400636	ÖZEL SOMUN	1					M26x1.5
9	80400634	SOMUN	1					M24x1.5
10	N030000025	O-RİNGLİ PUL	2					
11	80624126	NİPEL	1					
12	80624724	NİPEL	1					

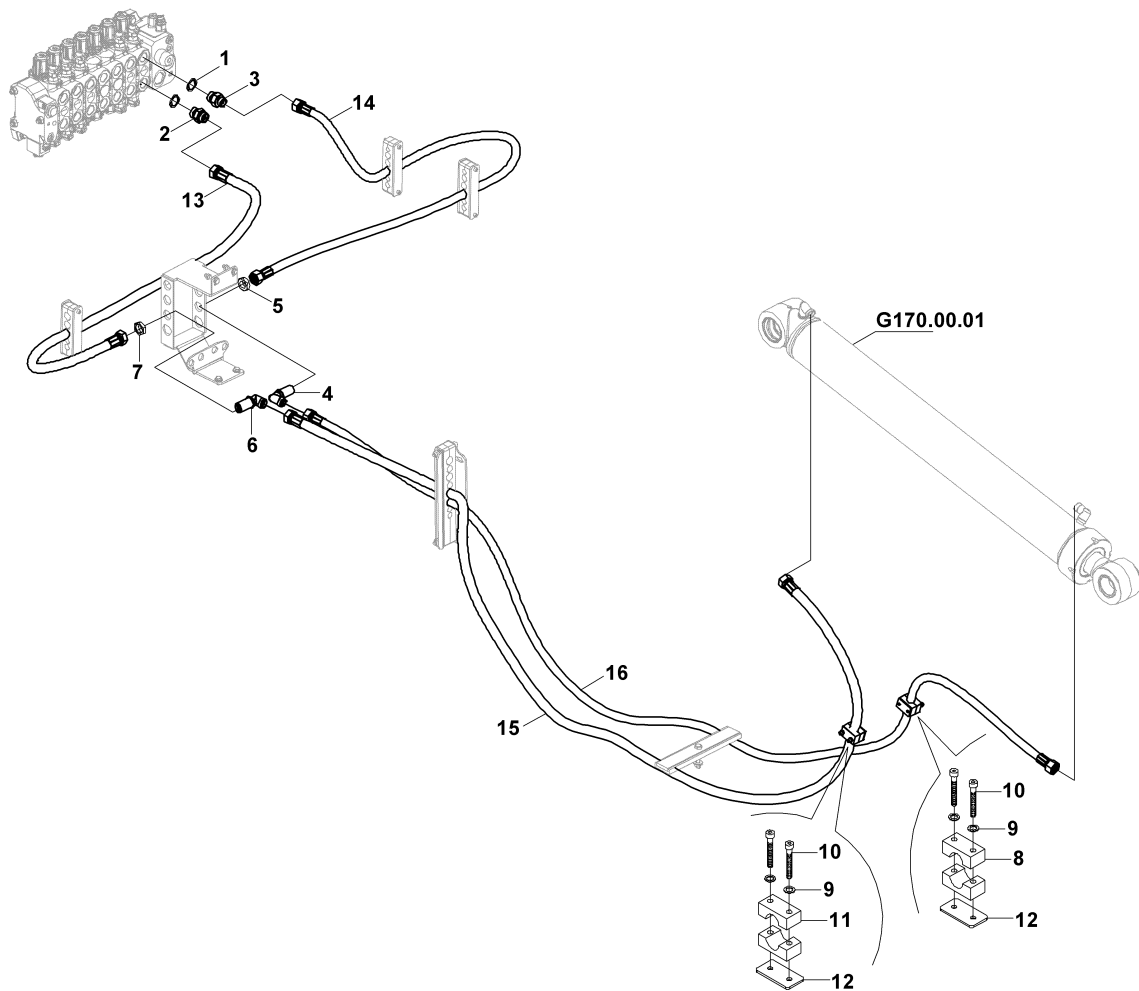
KAZICI HİDROLİK TESİSATI, ARM SİLİNDİRİ (KAZ AYAK)
BACKHOE HYDRAULIC PIPING, ARM CYLINDER (WING TYPE STABILIZER)



KAZICI HİDROLİK TESİSATI, ARM SİLİNDİRİ (KAZ AYAK)
BACKHOE HYDRAULIC PIPING, ARM CYLINDER (WING TYPE STABILIZER)

No	Parça No	Parça Adı	Adet	S.K.	Bas.S.N	Bit.S.N	Y.K.	Not
No	Part no	Description	Qty	SC	S/N from	S/N to	ICA	Note
1	6653326135	HORTUM	1					
2	6642226115	HORTUM	1					
3	N072020503	KELEPÇE	2					
4	N015890362	CIVATA	4					M6x35
5	N030100013	PUL	4					M6
6	N027180028	SOMUN	2					
7	N072020503	KELEPÇE	2					
8	80400636	ÖZEL SOMUN	1					M26x1.5
9	80400634	SOMUN	1					M24x1.5
10	80624064	NİPEL	1					
11	80624063	NİPEL	1					
12	6653326270	HORTUM	1					
13	6642226280	HORTUM	1					
14	N015890386	CIVATA	4					M6x45
15	N072020503	KELEPÇE	2					
16	N072025001	KELEPÇE ALTLIĞI	1					
17	N072023503	KELEPÇE GÖVDESİ	2					
18	N030000025	O-RİNGLİ PUL						
19	80624724	NİPEL	1					
20	80624126	NİPEL	1					

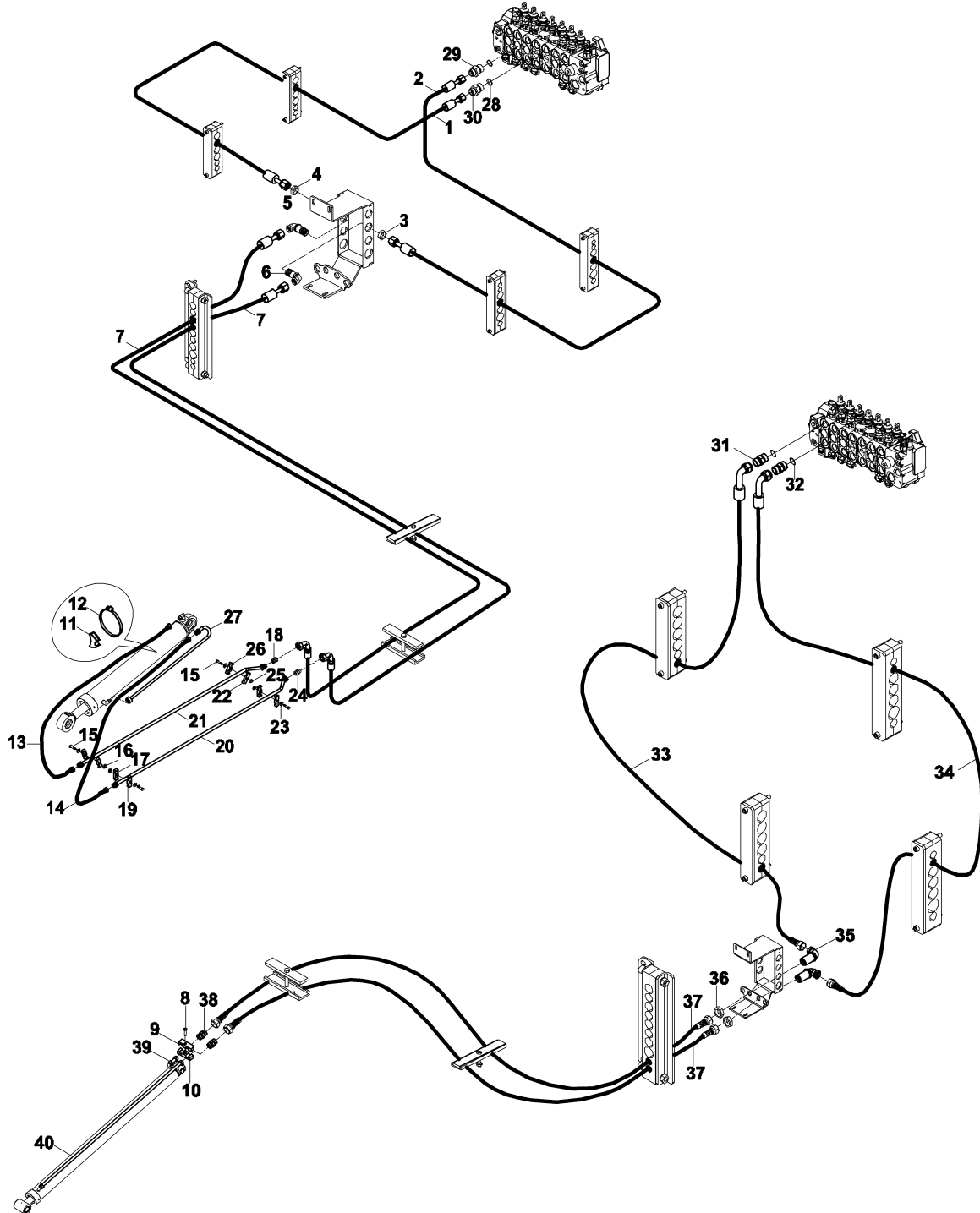
KAZICI HİDROLİK TESİSATI, ARM SİLİNDİRİ (TİP B)
BACKHOE HYDRAULIC SYSTEM, ARM CYLINDER (TYPE B)



**KAZICI HİDROLİK TESİSATI, ARM SİLİNDİRİ (TİP B)
BACKHOE HYDRAULIC SYSTEM, ARM CYLINDER (TYPE B)**

No	Parça No	Parça Adı	Description	Adet	S.K.	Bas.S.N	Bit.S.N	Y.K.	Not
No	Part no			Qty	SC	S/N from	S/N to	ICA	Note
1	N030000025	O-RİNGLİ PUL	WASHER	2					
2	80624126	NİPEL	ADAPTER	1					
3	80624724	NİPEL	ADAPTER	1					
4	N163610212	DUVAR NİPELİ	ADAPTER	1					
5	80400634	SOMUN	NUT, SPECIAL	1					
6	N163610234	DUVAR NİPELİ	ADAPTER	1					
7	80400636	ÖZEL SOMUN	NUT	1					
8	N072020503	KELEPÇE	CLAMP BODY	2					
9	N030100013	PUL	WASHER	4					
10	N015890398	CIVATA	BOLT	4					M6x50
11	N072023503	KELEPÇE GÖVDESİ	CLAMP, BODY	2					
12	N072025001	KELEPÇE ALTLIĞI	PLATE, CLAMP	2					
13	6653320155	HORTUM KOMPLESİ	HOSE ASS'Y	1					
14	6642220155	HORTUM KOMPLESİ	HOSE ASS'Y	1					
15	6653320320	HORTUM KOMPLESİ	HOSE ASS'Y	1					
16	6642220335	HORTUM KOMPLESİ	HOSE ASS'Y	1					

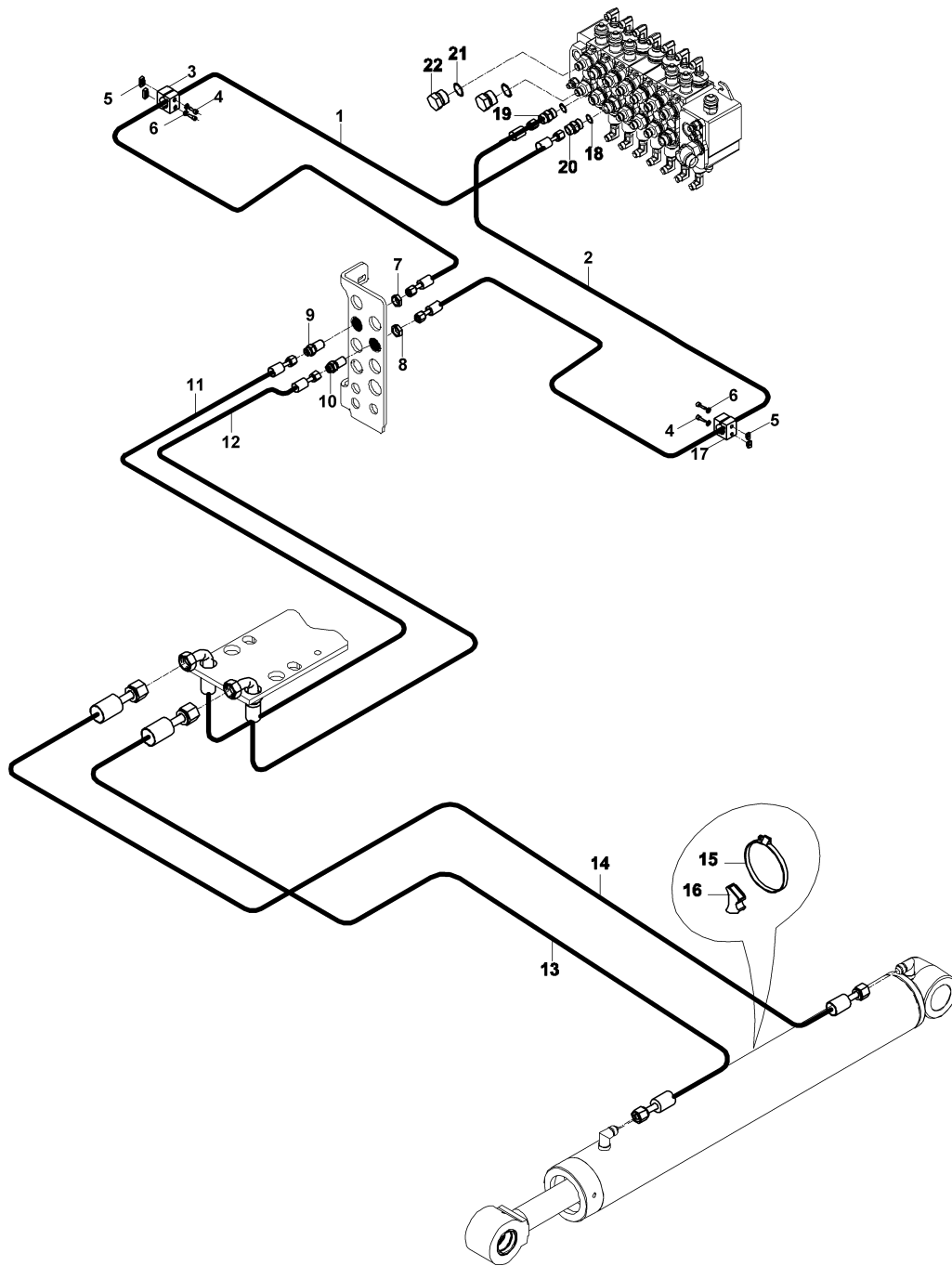
KAZICI HİDROLİK TESİSATI, KEPÇE SİLİNDİRİ (TELESKOPIK) (TİP B)
BACKHOE HYDRAULIC PIPING, BUCKET CYLINDER (TELESCOPIC) (TYPE B)



**KAZICI HİDROLİK TESİSATI, KEPÇE SİLİNDİRİ (TELESKOPIK) (TİP B)
BACKHOE HYDRAULIC PIPING, BUCKET CYLINDER (TELESCOPIC) (TYPE B)**

No	Parça No	Parça Adı	Adet	S.K.	Bas.S.N	Bit.S.N	Y.K.	Not
No	Part no	Description	Qty	SC	S/N from	S/N to	ICA	Note
1	6653320145	HORTUM KOMPLESİ	1					
2	6642220165	HORTUM KOMPLESİ	1					
3	80400634	SOMUN	1					M24
4	80400636	ÖZEL SOMUN	1					M26
5	N163610234	DUVAR NİPELİ	1					M24x1.5
6	N163610212	DUVAR NİPELİ	1					M26x1.5
7	6642221460	HORTUM KOMPLESİ	1					
8	N015890350	CIVATA	1					M6X30
9	81052121	KELEPÇE	1					
10	81052120	KELEPÇE, ÜST	1					
11	81400362	KELEPÇE ALTLIĞI	1					
12	N074100120	KELEPÇE	1					
13	66533MA135	HORTUM KOMPLESİ	1					
14	66422MC125	HORTUM KOMPLESİ	1					
15	N010232546	CIVATA	4					M10x55
16	N023580206	SOMUN	4					M10
17	81052186	KELEPÇE	2					
18	N163450129	NİPEL	1					
19	81052185	KELEPÇE	2					
20	45251671	BORUSU KOMPLESİ	1					
21	45251670	BORUSU KOMPLESİ	1					
22	81052221	KELEPÇE	2					
23	N030020121	PUL	4					
24	N163450122	NİPEL	1					
25	N023580206	SOMUN	4					M10
26	81052220	KELEPÇE	2					
27	45251679	BORUSU KOMPLESİ	1					
28	N030000025	O-RİNGLİ PUL	2					
29	80624724	NİPEL	1					
30	80624126	NİPEL	1					
31	80624619	NİPEL	2					
32	N030000025	O-RİNGLİ PUL	2					
33	6631121160	HORTUM KOMPLESİ	1					
34	6631121185	HORTUM KOMPLESİ	1					
35	N163610129	DUVAR NİPELİ	2					
36	80400632	SOMUN	2					
37	6631121435	HORTUM KOMPLESİ	2					
38	N163450094	NİPEL	2					
39	45250101	BORU KOMPLESİ	1					
40	45250111	TESİSAT BORUSU	1					

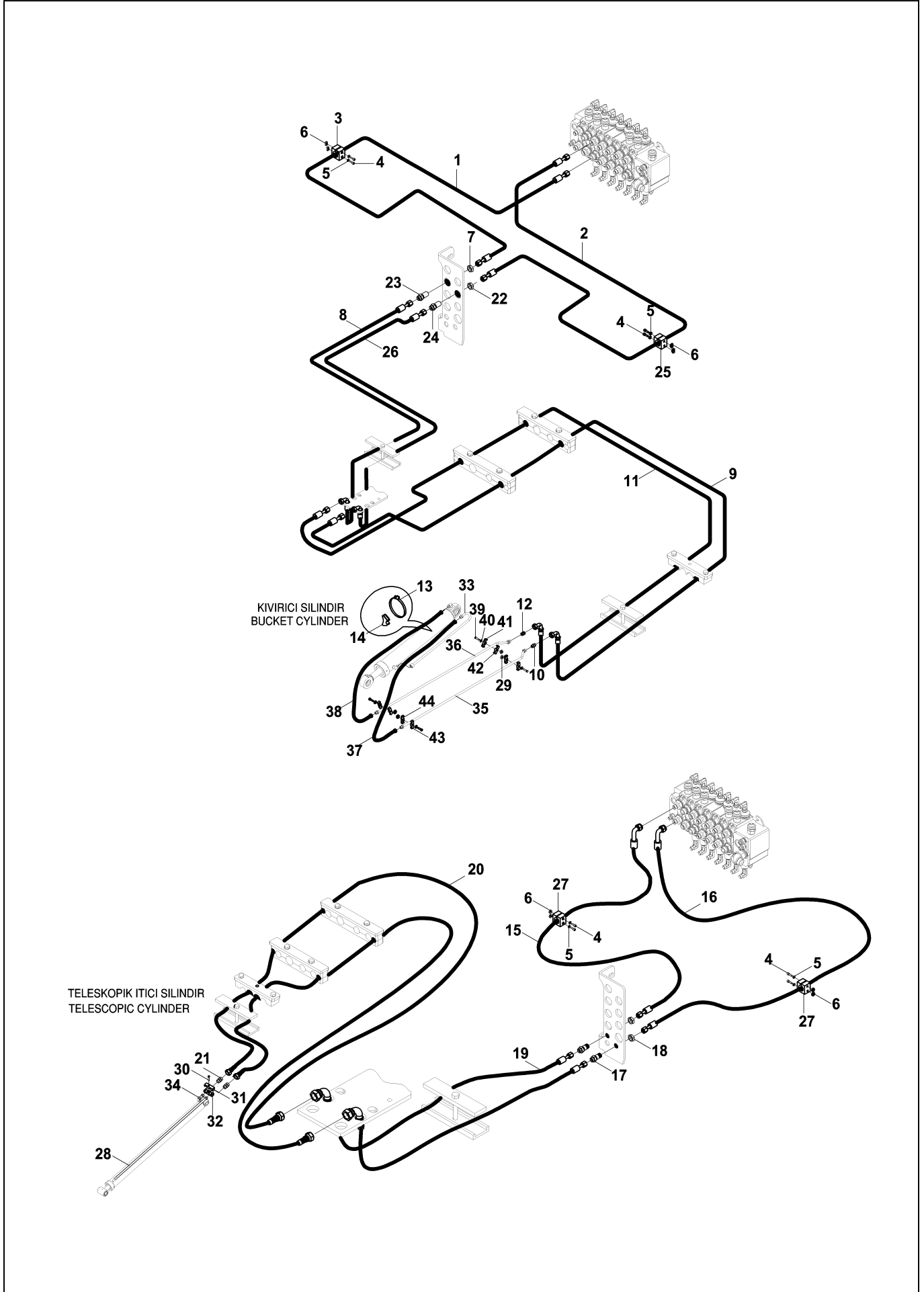
KAZICI HİDROLİK TESİSATI, KEPÇE SİLİNDİRİ (KAZ AYAK & TİP B)
HYD. PIPING, BUCKET CYLINDER (WING TYPE STABILIZER & TYPE B) (OP)



**KAZICI HİDROLİK TESİSATI, KEPÇE SİLİNDİRİ (KAZ AYAK & TİP B)
HYD. PIPING, BUCKET CYLINDER (WING TYPE STABILIZER & TYPE B) (OP)**

No	Parça No	Parça Adı	Adet	S.K.	Bas.S.N	Bit.S.N	Y.K.	Not
No	Part no	Description	Qty	SC	S/N from	S/N to	ICA	Note
1	6653326120	HORTUM KOMPLESİ	1					
2	6642226135	HORTUM KOMPLESİ	1					
3	N072023503	KELEPÇE GÖVDESİ	2					
4	N015890362	CIVATA	4					M6x35
5	N027180028	SOMUN	4					M6
6	N030100013	PUL	4					
7	80400636	ÖZEL SOMUN	1					M26x1.5
8	80400634	SOMUN	1					M24x1.5
9	80624064	NİPEL	1					M26x1.5
10	80624063	NİPEL	1					
11	6642228220	HORTUM KOMPLESİ	1					
12	6653328220	HORTUM KOMPLESİ	1					
13	664222A255	HORTUM KOMPLESİ	1					
14	665332A160	HORTUM KOMPLESİ	1					
15	N074100120	KELEPÇE	1					
16	81400375	KELEPÇE ALTLIĞI	1					
17	N072020503	KELEPÇE	2					M6
18	N030000025	O-RİNGLİ PUL	2					
19	80624724	NİPEL	1					
20	80624126	NİPEL	1					
21	N030000025	O-RİNGLİ PUL	2					
22	81403012	TAPA	2					

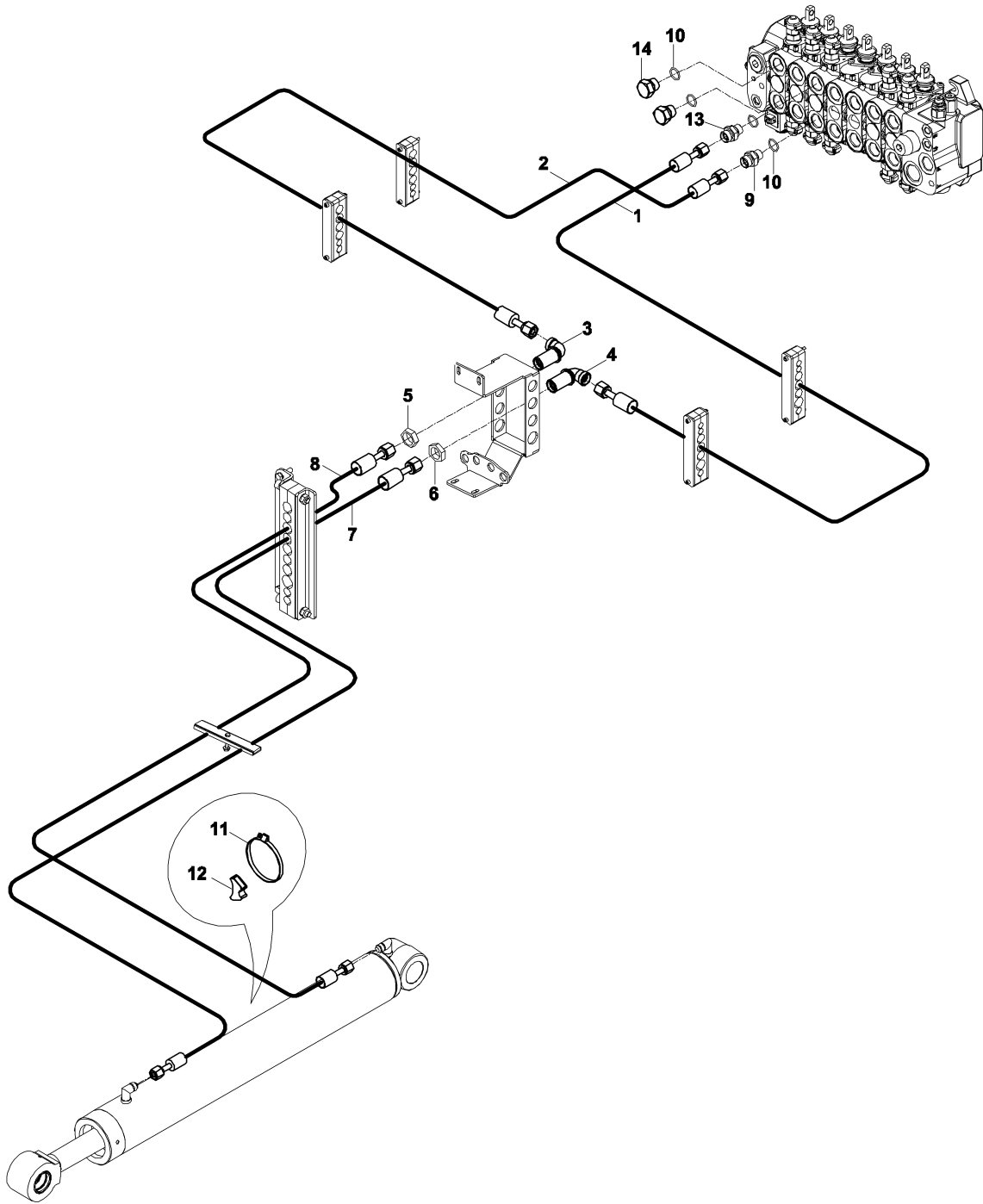
**KAZICI HİDROLİK TESİSATI, KEPÇE SİLİNDİRİ (KAZ AYAK, TELESKOPIK BOM) (TİP B)
BACKHOE HYD.PIPING, BUCKET CYLINDER (WING TYPE STABILIZER,**



**KAZICI HİDROLİK TESİSATI, KEPÇE SİLİNDİRİ (KAZ AYAK, TELESKOPIK BOM) (TİP B)
BACKHOE HYD.PIPING, BUCKET CYLINDER(WING TYPE STABILIZER,**

No	Parça No	Parça Adı	Adet	S.K.	Bas.S.N	Bit.S.N	Y.K.	Not
No	Part no	Description	Qty	SC	S/N from	S/N to	ICA	Note
1	6653326120	HORTUM KOMPLESİ	1					
2	6642226135	HORTUM KOMPLESİ	1					
3	N072023503	KELEPÇE GÖVDESİ	2					
4	N015890362	CIVATA	8					M6x35
5	N030100013	PUL	8					
6	N027180028	SOMUN	8					M6
7	80400636	ÖZEL SOMUN	1					M26
8	6653328220	HORTUM KOMPLESİ	1					
9	664222B176	HORTUM KOMPLESİ	1					
10	N163450122	NİPEL	1					
11	665332B176	HORTUM KOMPLESİ	1					
12	N163450129	NİPEL	1					
13	N074100120	KELEPÇE	1					
14	81400370	TESİSAT ALTLIĞI	1					
15	6631126120	HORTUM KOMPLESİ	1					
16	6631126150	HORTUM KOMPLESİ	1					
17	80624052	DUVAR NİPELİ	2					
18	80400632	SOMUN	2					M18
19	6631128200	HORTUM KOMPLESİ	2					
20	663112B185	HORTUM KOMPLESİ	2					
21	N163450094	NİPEL	2					
22	80400634	SOMUN	1					M24
23	80624064	NİPEL	1					
24	80624063	NİPEL	1					
25	N072020503	KELEPÇE	2					
26	6642228220	HORTUM KOMPLESİ	1					
27	N072017203	KELEPÇE GÖVDESİ	4					
28	45250111	TESİSAT BORUSU	1					
29	N023580206	SOMUN	4					M10
30	N015890350	CIVATA	1					M6x30
31	81052120	KELEPÇE, ÜST	1					
32	81052121	KELEPÇE	1					
33	45251679	BORUSU KOMPLESİ	1					
34	45250101	BORU KOMPLESİ	1					
35	45251671	BORUSU KOMPLESİ	1					
36	45251670	BORUSU KOMPLESİ	1					
37	66422MC125	HORTUM KOMPLESİ	1					
38	66533MA135	HORTUM KOMPLESİ	1					
39	N010232546	CIVATA	4					M10x55
40	N030020121	PUL	4					
41	81052220	KELEPÇE	2					
42	81052221	KELEPÇE	2					
43	81052185	KELEPÇE	2					
44	81052186	KELEPÇE	2					

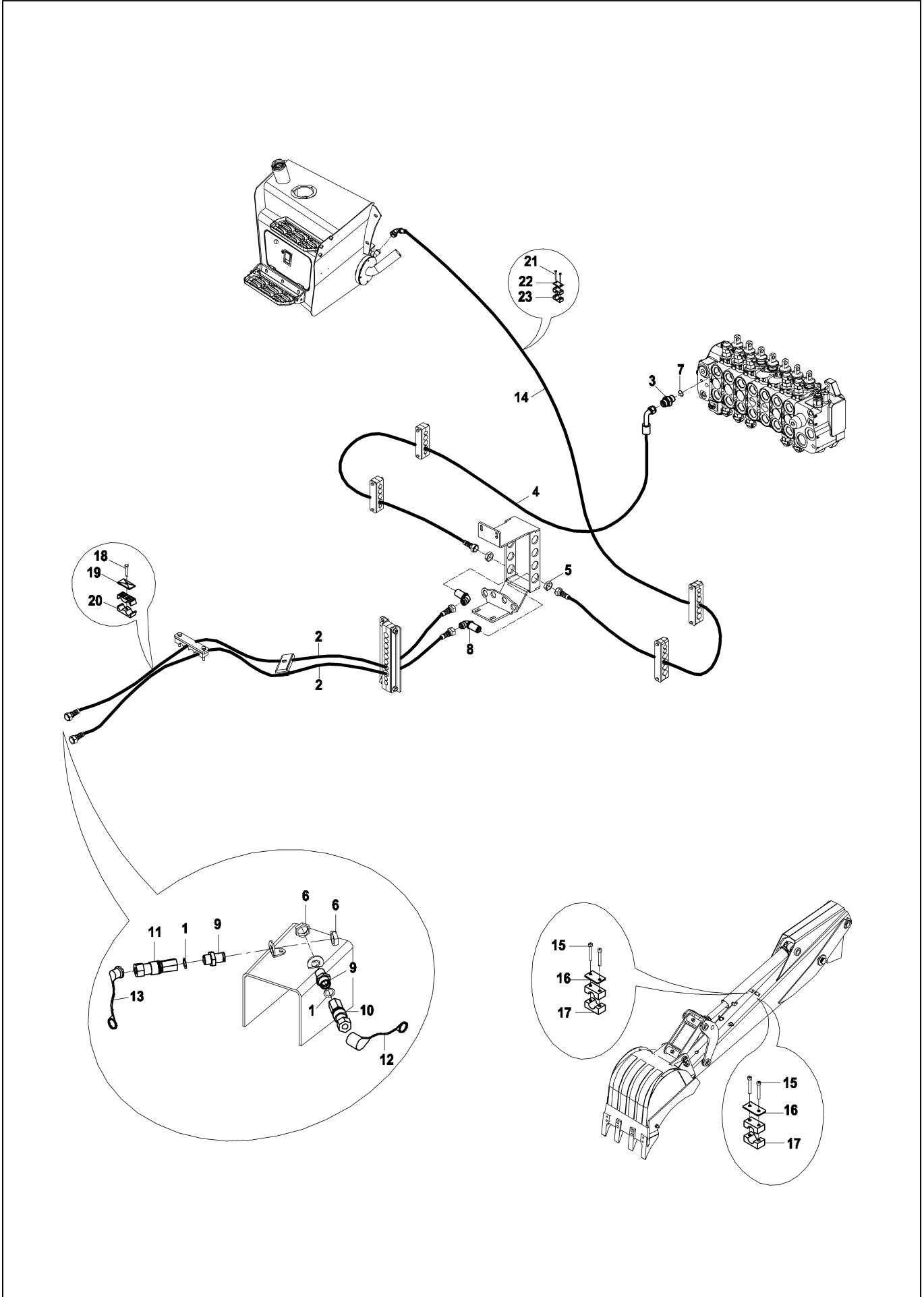
KAZICI HİDROLİK TESİSATI, KEPÇE SİLİNDİRİ (TİP B)
BACKHOE HYDRAULIC PIPING, BUCKET CYLINDER (TYPE B)



KAZICI HİDROLİK TESİSATI, KEPÇE SİLİNDİRİ (TİP B)
BACKHOE HYDRAULIC PIPING, BUCKET CYLINDER (TYPE B)

No	Parça No	Parça Adı	Description	Adet	S.K.	Bas.S.N	Bit.S.N	Y.K.	Not
No	Part no			Qty	SC	S/N from	S/N to	ICA	Note
1	6642220150	HORTUM KOMPLESİ	HOSE ASS'Y	1					
2	6653320145	HORTUM KOMPLESİ	HOSE ASS'Y	1					
3	N163610234	DUVAR NİPELİ	ADAPTER	1					
4	N163610212	DUVAR NİPELİ	ADAPTER	1					
5	80400636	ÖZEL SOMUN	NUT	1					
6	80400634	SOMUN	NUT, SPECIAL	1					
7	6643321430	HORTUM KOMPLESİ	HOSE ASS'Y	1					
8	6642220525	HORTUM KOMPLESİ	HOSE ASS'Y	1					
9	80624126	NİPEL	ADAPTER	1					
10	N030000025	O-RİNGLİ PUL	WASHER	4					
11	N074100120	KELEPÇE	CLAMP	1					
12	81400375	KELEPÇE ALTLIĞI	CLAMP SUPPORT	1					
13	80624724	NİPEL	ADAPTER	1					
14	81403012	TAPA	PLUG	2					

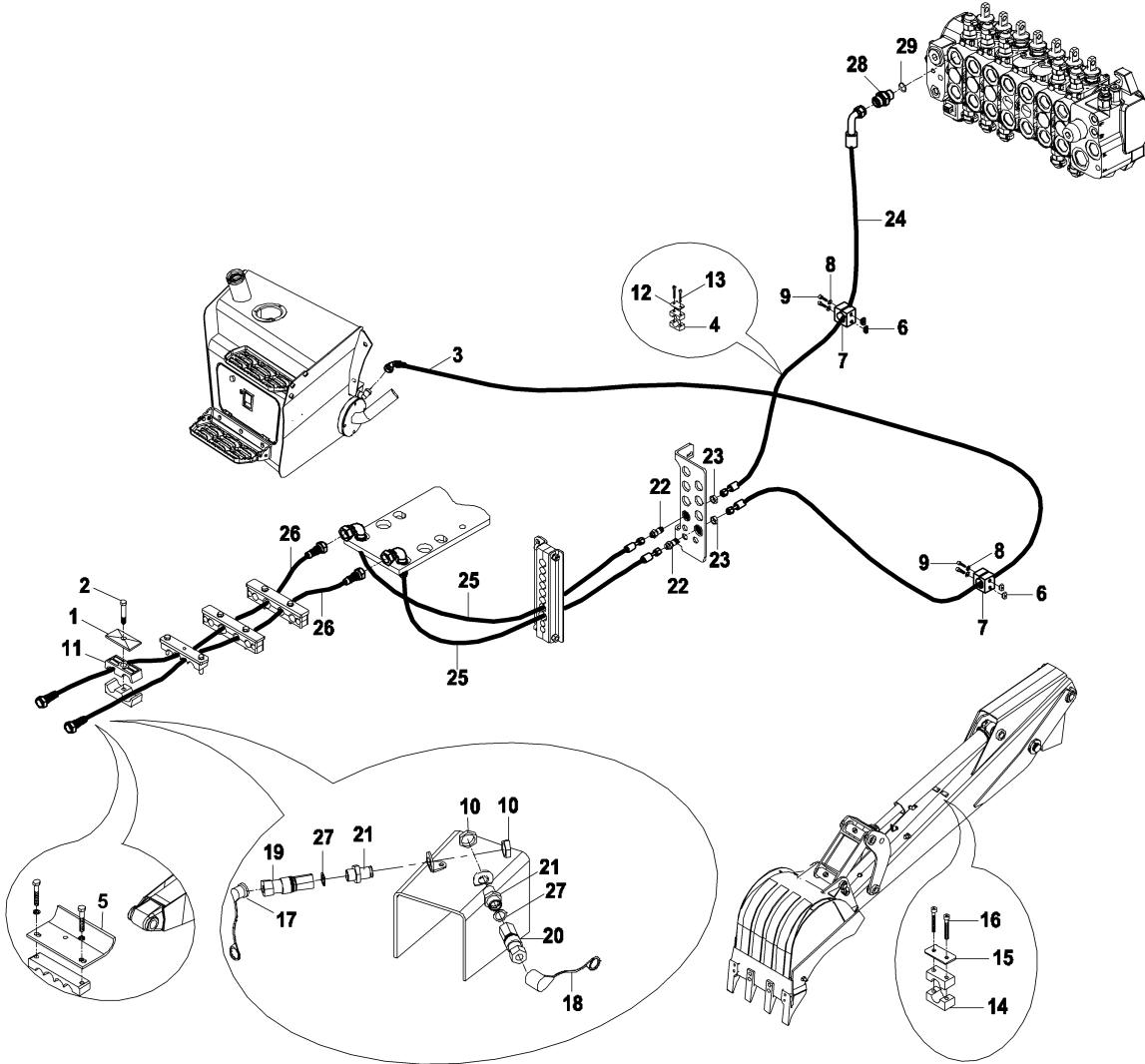
TEK ETKİLİ HİDROLİK TESİSATI (KIRICI & STD.ARM) (TİP B)
SINGLE ACTING HYDRAULIC PIPING (BREAKER & STD.ARM) (TYPE B)



TEK ETKİLİ HİDROLİK TESİSATI (KIRICI & STD.ARM) (TİP B)
SINGLE ACTING HYDRAULIC PIPING (BREAKER & STD.ARM) (TYPE B)

No	Parça No	Parça Adı	Description	Adet	S.K.	Bas.S.N	Bit.S.N	Y.K.	Not
No	Part no			Qty	SC	S/N from	S/N to	ICA	Note
1	N030000025	O-RİNGLİ PUL	WASHER	2					
2	6664426505	HORTUM KOMPLESİ	HOSE ASS'Y	2					
3	80624230	NİPEL	ADAPTER	1					
4	6664421170	HORTUM KOMPLESİ	HOSE ASS'Y	1					
5	80400640	SOMUN	NUT, SPECIAL	2					
6	80400640	SOMUN	NUT, SPECIAL	2					
7	N030000025	O-RİNGLİ PUL	WASHER	1					
8	N163610276	DUVAR NİPELİ	ADAPTER	2					
9	80624057	NİPEL	ADAPTER	2					
10	N169900101	ÇABUK BAĞLANTI	QUICK COUPLING, FEMALE	1					
11	N169900102	ÇABUK BAĞLANTI	QUICK COUPLING, MALE	1					
12	F9900350	KORUYUCU BAŞLIK	PROTECTION CAP	1					
13	F9900351	KORUYUCU BAŞLIK	PROTECTION CAP	1					
14	6664421350	HORTUM KOMPLESİ	HOSE ASS'Y	1					C
15	N015890398	CIVATA	BOLT	4					
16	N072027512	KELEPÇE ÜST PARÇASI	COVER, CLAMP	2					
17	N072027513	KELEPÇE	CLAMP	4					
18	N010380410	CIVATA	BOLT	1					
19	N073023272	KELEPÇE ÜST PARÇASI	COVER, CLAMP	1					
20	N073026913	KELEPÇE	CLAMP BODY	2					
21	N015890398	CIVATA	BOLT	2					
22	N072027512	KELEPÇE ÜST PARÇASI	COVER, CLAMP	1					
23	N072027513	KELEPÇE	CLAMP	2					

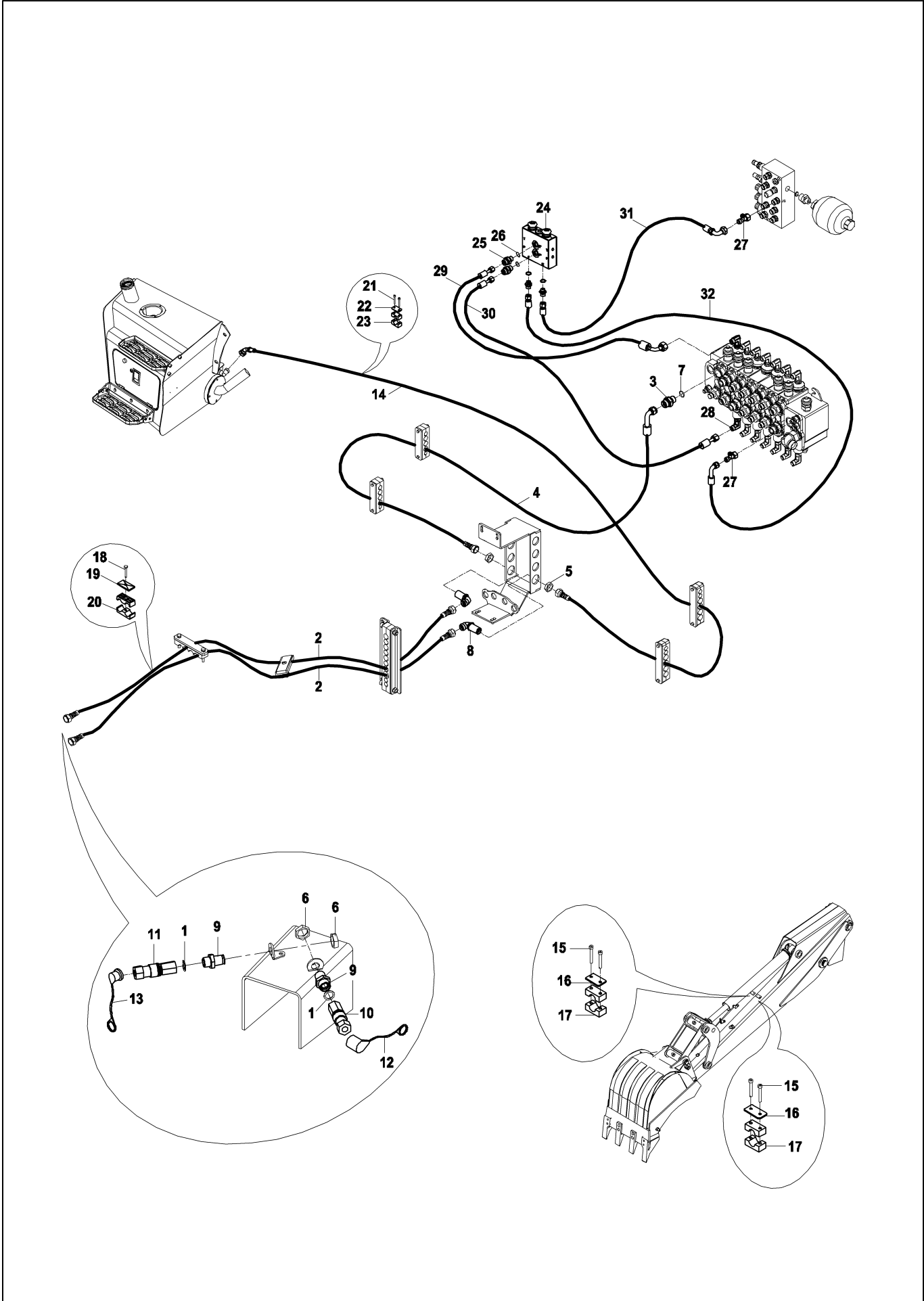
**TEK ETKİLİ HİDROLİK TESİSATI (KIRICI & STD. ARM & LEVYE & KAZAYAK) (TİP B)
(OP)**



**TEK ETKİLİ HİDROLİK TESİSATI (KIRICI & STD. ARM & LEVYE & KAZAYAK) (TİP B)
(OP)**

No	Parça No	Parça Adı	Description	Adet	S.K.	Bas.S.N	Bit.S.N	Y.K.	Not
No	Part no			Qty	SC	S/N from	S/N to	ICA	Note
1	N073023272	KELEPÇE ÜST PARÇASI	COVER, CLAMP	1					
2	N010380410	CIVATA	BOLT	1					M8x50
3	6664421300	HORTUM KOMPLESİ	HOSE ASS'Y	1					
4	N072027513	KELEPÇE	CLAMP	2					
5	81049046	SAC, HORTUM TUTUCU	PLATE, HOSE HOLDER	1					
6	N027180028	SOMUN	NUT	4					M6
7	N072020503	KELEPÇE	CLAMP BODY	4					
8	N030100013	PUL	WASHER	4					
9	N015890362	CIVATA	BOLT	4					M6x35
10	80400640	SOMUN	NUT, SPECIAL	2					M30
11	N073026913	KELEPÇE	CLAMP BODY	2					
12	N072027512	KELEPÇE ÜST PARÇASI	COVER, CLAMP	1					
13	N015890398	CIVATA	BOLT	2					M6x50
14	N072027513	KELEPÇE	CLAMP	4					
15	N072027512	KELEPÇE ÜST PARÇASI	COVER, CLAMP	2					
16	N015890398	CIVATA	BOLT	4					M6x50
17	F9900351	KORUYUCU BAŞLIK	PROTECTION CAP	1					
18	F9900350	KORUYUCU BAŞLIK	PROTECTION CAP	1					
19	N169900102	ÇABUK BAĞLANTI	QUICK COUPLING, MALE	1					ERKEK
20	N169900101	ÇABUK BAĞLANTI	QUICK COUPLING, FEMALE	1					DİŞİ
21	80624057	NİPEL	ADAPTER	2					
22	80624065	NİPEL	ADAPTER	2					
23	80400640	SOMUN	NUT, SPECIAL	2					M30
24	6664421170	HORTUM KOMPLESİ	HOSE ASS'Y	1					
25	6664421260	HORTUM KOMPLESİ	HOSE ASS'Y	2					
26	666442N240	HORTUM KOMPLESİ	HOSE ASS'Y	2					
27	N030000025	O-RİNGLİ PUL	WASHER	1					
28	80624230	NİPEL	ADAPTER	1					
29	N030000025	O-RİNGLİ PUL	WASHER	1					

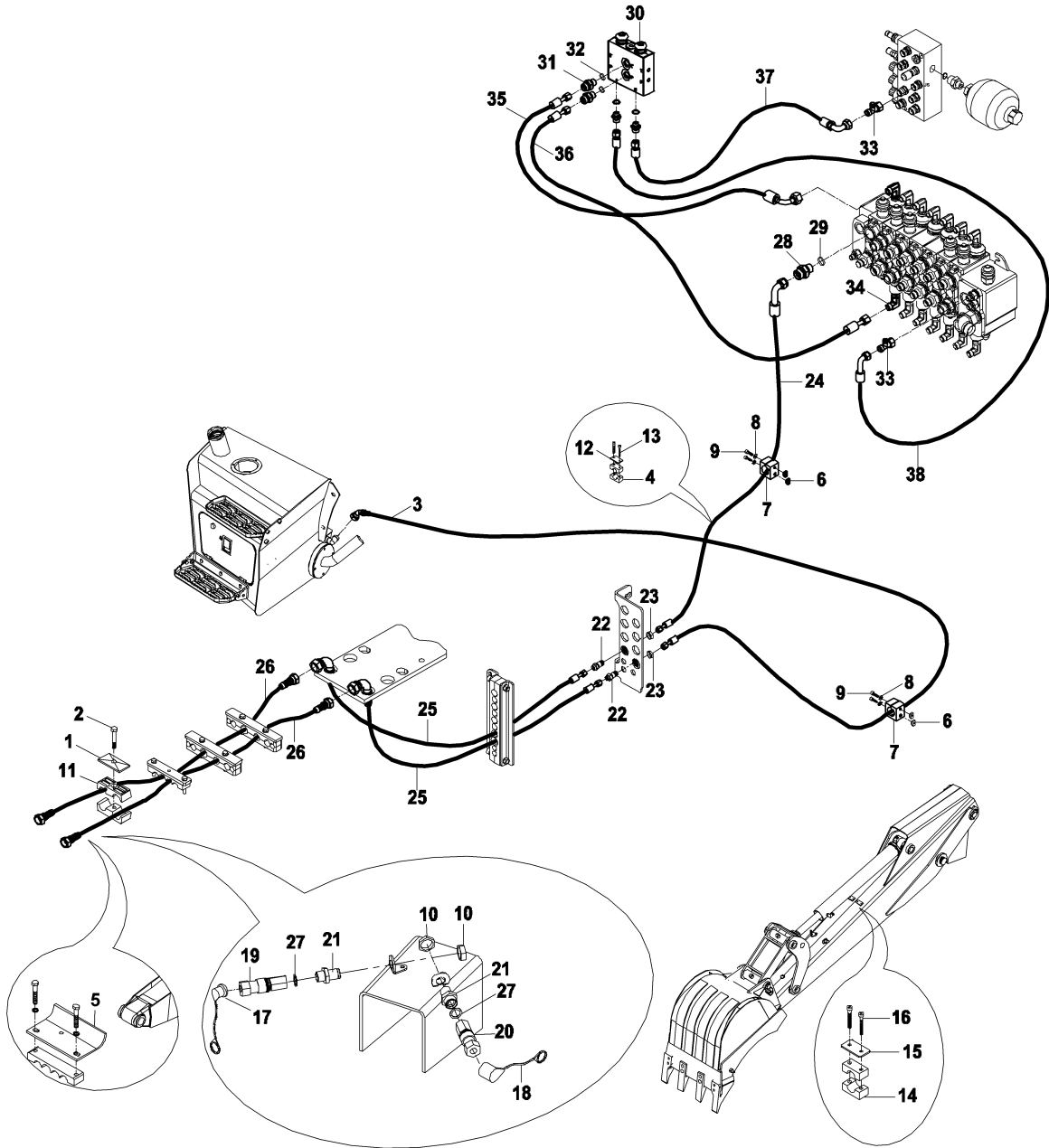
TEK ETKİLİ HİDROLİK TESİSATI (KIRICI & STD.ARM & JY) (TİP B)
SINGLE ACTING HYDRAULIC PIPING (BREAKER & STD.ARM & JY) (TYPE B)



TEK ETKİLİ HİDROLİK TESİSATI (KIRICI & STD.ARM & JY) (TİP B)
SINGLE ACTING HYDRAULIC PIPING (BREAKER & STD.ARM & JY) (TYPE B)

No	Parça No	Parça Adı		Adet	S.K.	Bas.S.N	Bit.S.N	Y.K.	Not
No	Part no	Description		Qty	SC	S/N from	S/N to	ICA	Note
1	N030000025	O-RİNGLİ PUL	WASHER	2					
2	6664426505	HORTUM KOMPLESİ	HOSE ASS'Y	2					
3	80624230	NİPEL	ADAPTER	1					
4	6664421170	HORTUM KOMPLESİ	HOSE ASS'Y	1					
5	80400640	SOMUN	NUT, SPECIAL	2					
6	80400640	SOMUN	NUT, SPECIAL	2					
7	N030000025	O-RİNGLİ PUL	WASHER	1					
8	N163610276	DUVAR NİPELİ	ADAPTER	2					
9	80624057	NİPEL	ADAPTER	2					
10	N169900101	ÇABUK BAĞLANTI	QUICK COUPLING, FEMALE	1					
11	N169900102	ÇABUK BAĞLANTI	QUICK COUPLING, MALE	1					
12	F9900350	KORUYUCU BAŞLIK	PROTECTION CAP	1					
13	F9900351	KORUYUCU BAŞLIK	PROTECTION CAP	1					
14	6664421350	HORTUM KOMPLESİ	HOSE ASS'Y	1					C
15	N015890398	CIVATA	BOLT	4					
16	N072027512	KELEPÇE ÜST PARÇASI	COVER, CLAMP	2					
17	N072027513	KELEPÇE	CLAMP	4					
18	N010380410	CIVATA	BOLT	1					
19	N073023272	KELEPÇE ÜST PARÇASI	COVER, CLAMP	1					
20	N073026913	KELEPÇE	CLAMP BODY	2					
21	N015890398	CIVATA	BOLT	2					
22	N072027512	KELEPÇE ÜST PARÇASI	COVER, CLAMP	1					
23	N072027513	KELEPÇE	CLAMP	2					
24	F1822631	ÇİFT TESİRLİ PEDAL VALFİ	DOUBLE ACTING PEDAL VALVE	1					
25	N163430814	NİPEL	ADAPTER	4					
26	N030000004	O-RİNGLİ PUL	WASHER	4					
27	N163790031	T ADAPTÖR	TEE	2					
28	N163470400	DİRSEK	ELBOW	2					
29	6370021035	HORTUM KOMPLESİ	HOSE ASS'Y	1					
30	6370020045	HORTUM KOMPLESİ	HOSE ASS'Y	1					
31	6370021060	HORTUM KOMPLESİ	HOSE ASS'Y	1					
32	6370021075	HORTUM KOMPLESİ	HOSE ASS'Y	1					

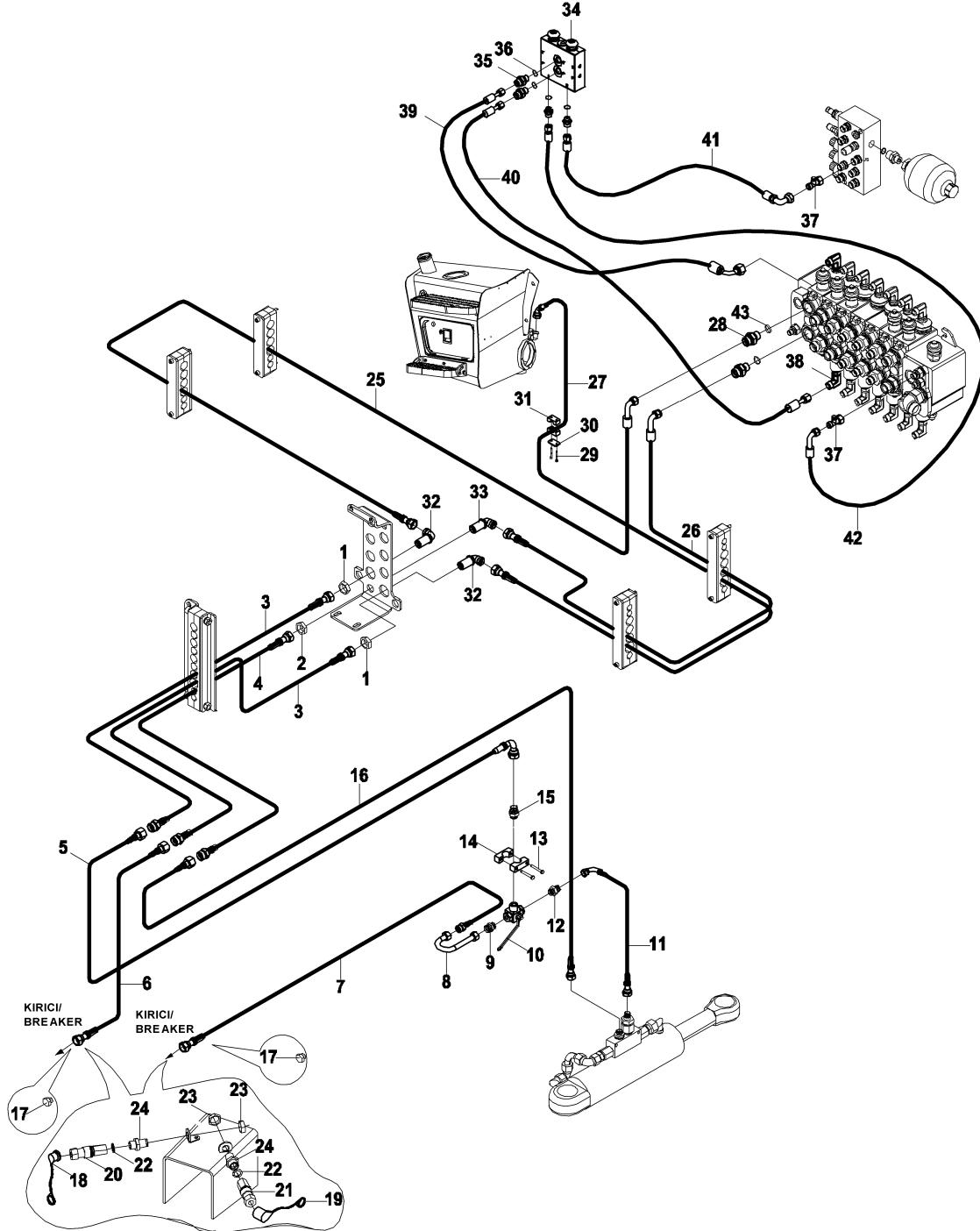
**TEK ETKİLİ HİDROLİK TESİSATI (KIRICI & STD. ARM & JY & KAZAYAK) (TİP B) (OP)
SINGLE ACTING HYD. PIPING(BREAKER & STD. ARM & JY & WING TYPE)(TYPE**



**TEK ETKİLİ HİDROLİK TESİSATI (KIRICI & STD. ARM & JY & KAZAYAK) (TİP B) (OP)
SINGLE ACTING HYD. PIPING(BREAKER & STD. ARM & JY & WING TYPE)(TYPE**

No	Parça No	Parça Adı	Adet	S.K.	Bas.S.N	Bit.S.N	Y.K.	Not
No	Part no	Description	Qty	SC	S/N from	S/N to	ICA	Note
1	N073023272	KELEPÇE ÜST PARÇASI	1					
2	N010380410	CIVATA	1					M8x50
3	6664421300	HORTUM KOMPLESİ	1					
4	N072027513	KELEPÇE	2					
5	81049046	SAC, HORTUM TUTUCU	1					
6	N027180028	SOMUN	4					M6
7	N072020503	KELEPÇE	4					
8	N030100013	PUL	4					
9	N015890362	CIVATA	4					M6x35
10	80400640	SOMUN	2					M30
11	N073026913	KELEPÇE	2					
12	N072027512	KELEPÇE ÜST PARÇASI	1					
13	N015890398	CIVATA	2					M6x50
14	N072027513	KELEPÇE	4					
15	N072027512	KELEPÇE ÜST PARÇASI	2					
16	N015890398	CIVATA	4					M6x50
17	F9900351	KORUYUCU BAŞLIK	1					
18	F9900350	KORUYUCU BAŞLIK	1					
19	N169900102	ÇABUK BAĞLANTI	1					ERKEK
20	N169900101	ÇABUK BAĞLANTI	1					DİŞİ
21	80624057	NİPEL	2					
22	80624065	NİPEL	2					
23	80400640	SOMUN	2					M30
24	6664421170	HORTUM KOMPLESİ	1					
25	6664421260	HORTUM KOMPLESİ	2					
26	666442N240	HORTUM KOMPLESİ	2					
27	N030000025	O-RİNGLİ PUL	1					
28	80624230	NİPEL	1					
29	N030000025	O-RİNGLİ PUL	1					
30	F1822631	ÇİFT TESİRLİ PEDAL VALFİ	1					
31	N163430814	NİPEL	4					
32	N030000004	O-RİNGLİ PUL	4					
33	N163790031	T ADAPTÖR	2					
34	N163470400	DİRSEK	2					
35	6370021035	HORTUM KOMPLESİ	1					
36	6370020045	HORTUM KOMPLESİ	1					
37	6370021060	HORTUM KOMPLESİ	1					
38	6370021075	HORTUM KOMPLESİ	1					

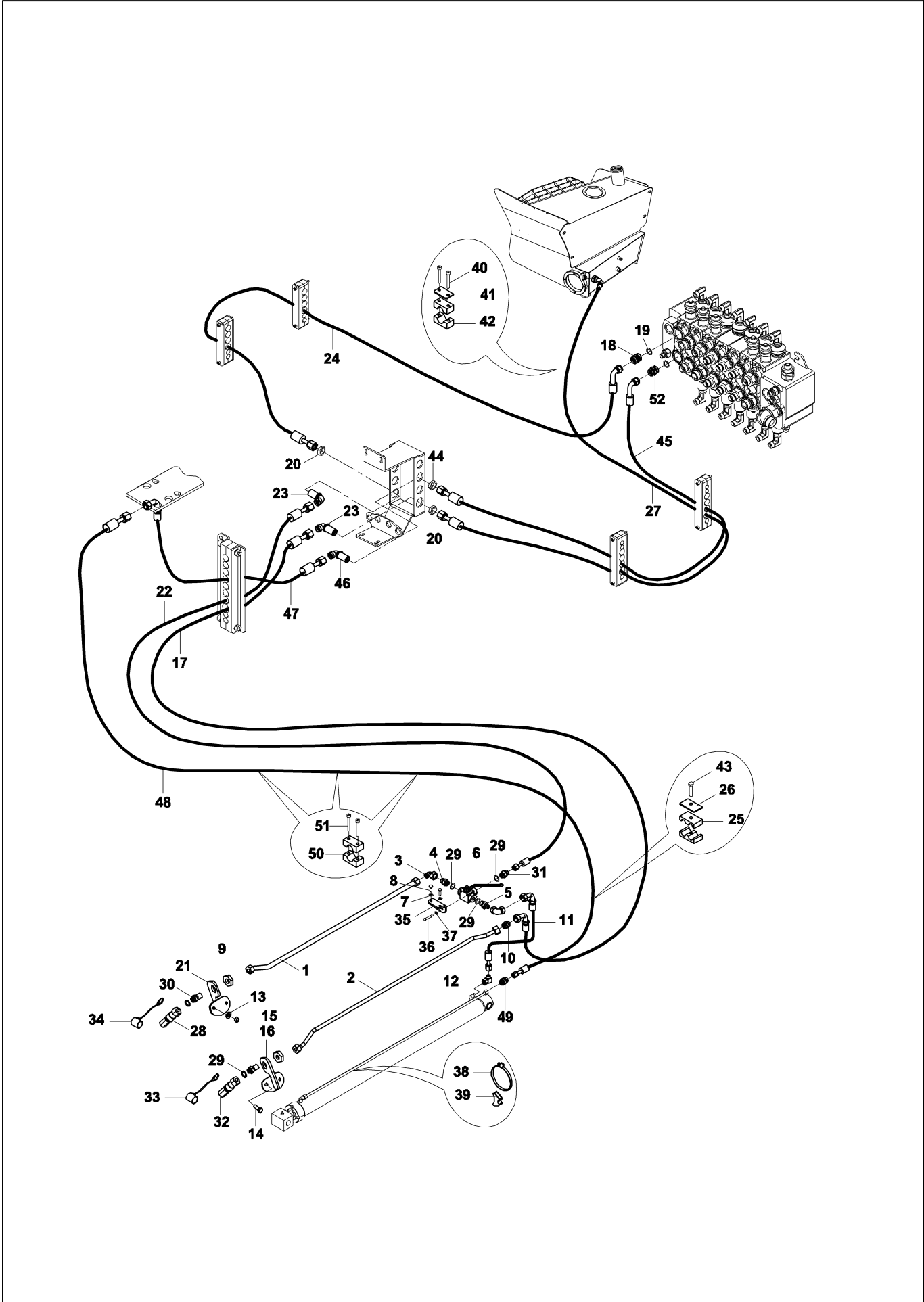
TEK ETKİLİ HİDROLİK TESİSATI (KIRICI & STD. ARM & JY & MAFSALLI BOM) (TİP B)
SINGLE ACTING HYD. PIPING (BREAKER & STD.ARM & JY & ARTICULATED)



**TEK ETKİLİ HİDROLİK TESİSATI (KIRICI & STD. ARM & JY & MAFSALLI BOM) (TİP B)
SINGLE ACTING HYD. PIPING (BREAKER & STD.ARM & JY & ARTICULATED**

No	Parça No	Parça Adı	Adet	S.K.	Bas.S.N	Bit.S.N	Y.K.	Not
No	Part no	Description	Qty	SC	S/N from	S/N to	ICA	Note
1	80400640	SOMUN	2					M18x2x10
2	80400632	SOMUN	1					M18x1,5x10
3	666442A150	HORTUM KOMPLESİ	2					
4	663112A155	HORTUM KOMPLESİ	1					
5	6664421125	HORTUM KOMPLESİ	1					
6	6664420435	HORTUM KOMPLESİ	1					
7	666442A325	HORTUM KOMPLESİ	1					
8	45251776	TESİSAT BORUSU K.K	1					
9	80624221	NİPEL	1					
10	N140013201	KÜRESEL VANA	1					
11	6631121031	HORTUM KOMPLESİ	1					
12	80624620	NİPEL	1					
13	N010380470	CIVATA	2					M8x70
14	81051337	KELEPÇE	2					
15	80624230	NİPEL	1					
16	6631120155	HORTUM KOMPLESİ	1					
17	81403230	KÖR TAPA	2					
18	F9900351	KORUYUCU BAŞLIK	1					
19	F9900350	KORUYUCU BAŞLIK	1					
20	N169900101	ÇABUK BAĞLANTI	1					DİŞİ/ FEMALE
21	N169900102	ÇABUK BAĞLANTI	1					ERKEK/ MALE
22	N030000025	O-RİNGLİ PUL	4					
23	80400640	SOMUN	2					M30x2x10
24	80624057	NİPEL	2					
25	6664421170	HORTUM KOMPLESİ	1					
26	6631121185	HORTUM KOMPLESİ	1					
27	6664421350	HORTUM KOMPLESİ	1					
28	80624230	NİPEL	2					
29	N015890398	CIVATA	2					M6x50
30	N072027512	KELEPÇE ÜST PARÇASI	1					
31	N072027513	KELEPÇE	2					
32	N163610276	DUVAR NİPELİ	2					
33	N163610129	DUVAR NİPELİ	1					
34	F1822631	ÇİFT TESİRLİ PEDAL VALFİ	1					
35	N163430814	NİPEL	4					
36	N030000004	O-RİNGLİ PUL	4					
37	N163790031	T ADAPTÖR	2					
38	N163470400	DİRSEK	2					
39	6370021035	HORTUM KOMPLESİ	1					
40	6370020045	HORTUM KOMPLESİ	1					
41	6370021060	HORTUM KOMPLESİ	1					
42	6370021075	HORTUM KOMPLESİ	1					
43	N030000025	O-RİNGLİ PUL	2					

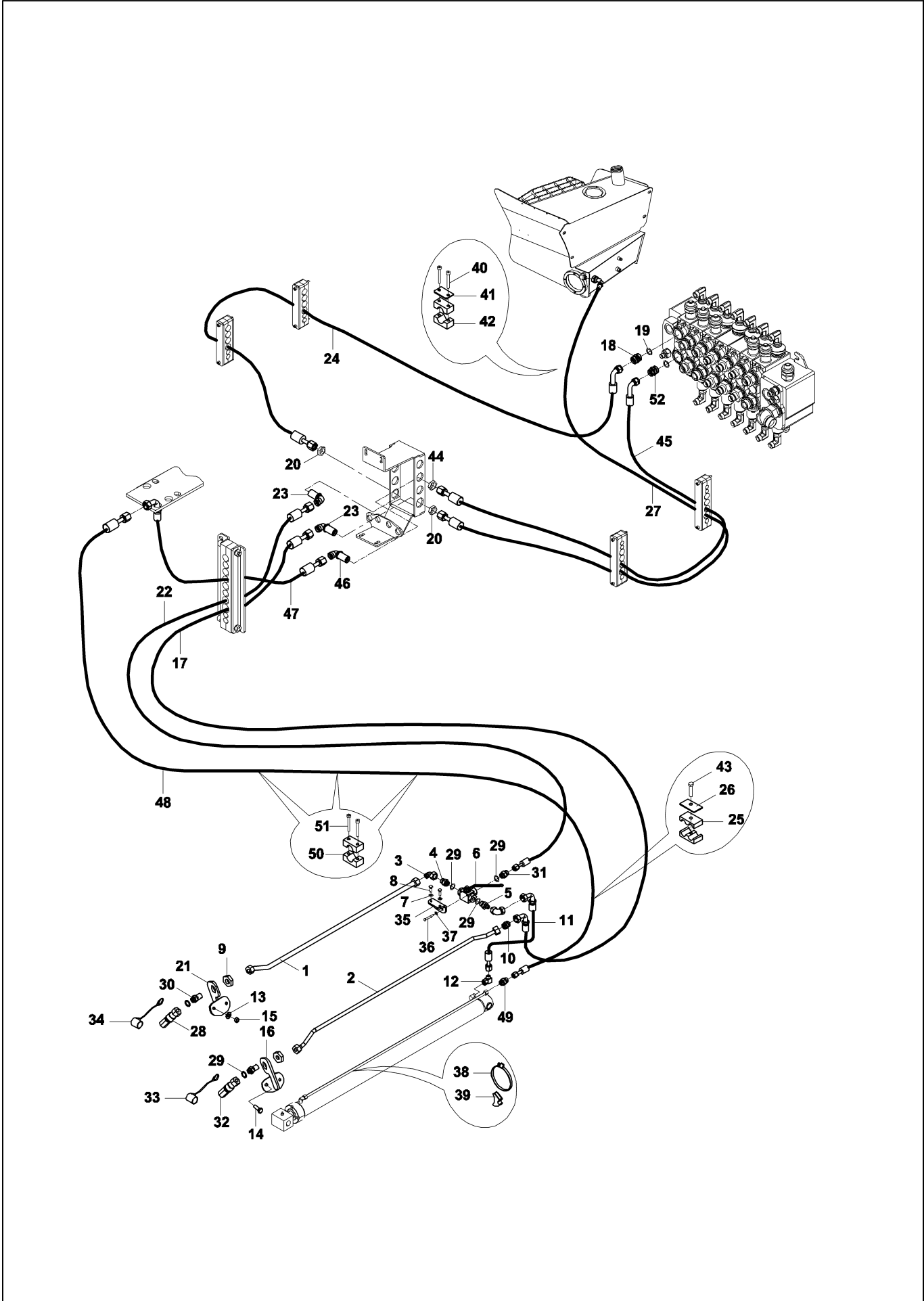
TEK ETKİLİ HİDROLİK TESİSATI (KIRICI & TELESKOPIK) (TİP B) (OP)
SINGLE ACTING HYDRAULIC PIPING (BREAKER & TELESCOPIC) (TYPE B) (OP)



TEK ETKİLİ HİDROLİK TESİSATI (KIRICI & TELESKOPIK) (TİP B) (OP)
SINGLE ACTING HYDRAULIC PIPING (BREAKER & TELESCOPIC) (TYPE B) (OP)

No	Parça No	Parça Adı	Adet	S.K.	Bas.S.N	Bit.S.N	Y.K.	Not
No	Part no	Description	Qty	SC	S/N from	S/N to	ICA	Note
1	45251653	BORU KOMPLESİ	1					
2	45251676	BORU KOMPLESİ	1					
3	N163750094	DİRSEK	1					
4	80624221	NİPEL	1					
5	80624620	NİPEL	1					
6	N140013201	KÜRESEL VANA	1					
7	N030020121	PUL	2					M10
8	N010232462	CIVATA	2					M10x25
9	80400640	SOMUN	2					
10	N163450143	NİPEL	1					
11	6631121030	HORTUM KOMPLESİ	1					
12	N163750045	DİRSEK	2					
13	N030020121	PUL	2					
14	N010232498	CIVATA	2					
15	N023580206	SOMUN	2					
16	01993091	BRAKET	1					
17	6664421445	HORTUM KOMPLESİ	1					
18	80624230	NİPEL	1					
19	N030000025	O-RİNGLİ PUL	1					
20	80400640	SOMUN	2					
21	01993092	BRAKET	1					
22	6664420465	HORTUM KOMPLESİ	1					
23	N163610276	DUVAR NİPELİ	2					
24	6664421170	HORTUM KOMPLESİ	1					
25	81049058	KELEPÇE	2					
26	81049057	KELEPÇE ÜST PARÇASI	1					
27	6664421350	HORTUM KOMPLESİ	1					
28	N169900101	ÇABUK BAĞLANTI	2					
29	N030000025	O-RİNGLİ PUL	2					
30	80624057	NİPEL	1					
31	80624230	NİPEL	1					
32	N169900102	ÇABUK BAĞLANTI	1					
33	F9900350	KORUYUCU BAŞLIK	2					
34	F9900351	KORUYUCU BAŞLIK	2					
35	02030527	BRAKET	1					
36	N010380446	CIVATA	2					M8x60
37	N030020011	PUL	2					M8
38	N074080100	KELEPÇE	8					
39	81400362	KELEPÇE ALTLIĞI	1					
40	N015890398	CIVATA	2					M6x55
41	N072027512	KELEPÇE ÜST PARÇASI	2					
42	N072027513	KELEPÇE	2					
43	N010380446	CIVATA	1					M8x60
44	80400632	SOMUN	1					
45	6631121185	HORTUM KOMPLESİ	1					
46	N163610129	DUVAR NİPELİ	1					
47	6642221270	HORTUM KOMPLESİ	1					

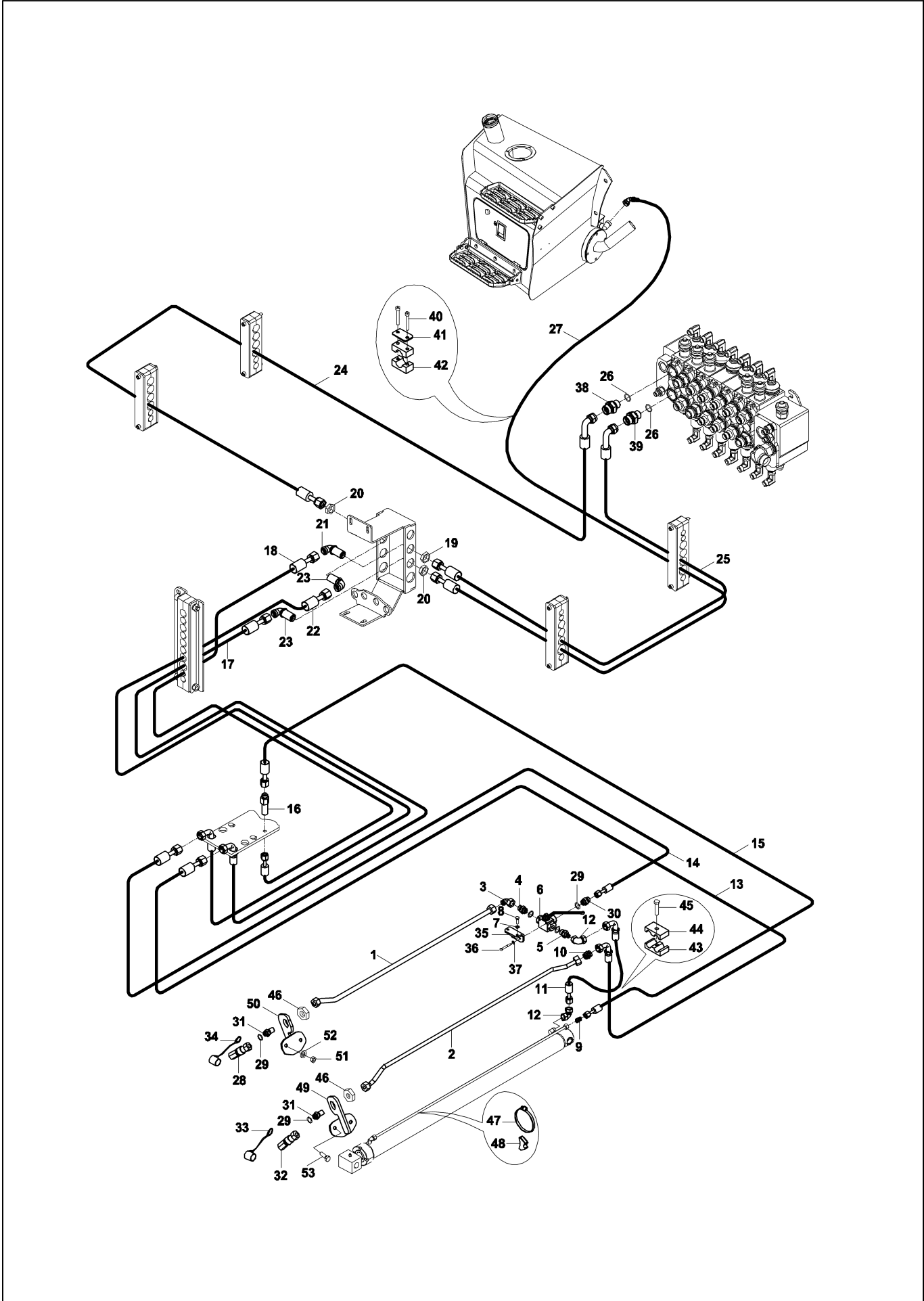
TEK ETKİLİ HİDROLİK TESİSATI (KIRICI & TELESKOPIK) (TİP B) (OP)
SINGLE ACTING HYDRAULIC PIPING (BREAKER & TELESCOPIC) (TYPE B) (OP)



TEK ETKİLİ HİDROLİK TESİSATI (KIRICI & TELESKOPIK) (TİP B) (OP)
SINGLE ACTING HYDRAULIC PIPING (BREAKER & TELESCOPIC) (TYPE B) (OP)

No	Parça No	Parça Adı		Adet	S.K.	Bas.S.N	Bit.S.N	Y.K.	Not
No	Part no		Description	Qty	SC	S/N from	S/N to	ICA	Note
48	664222B176	HORTUM KOMPLESİ	HOSE ASS'Y	1					
49	N163450094	NİPEL	ADAPTER	1					
50	N072020503	KELEPÇE	CLAMP BODY	6					
51	N015890374	CIVATA	BOLT	6					M6x40
52	80624619	NİPEL	ADAPTER	1					

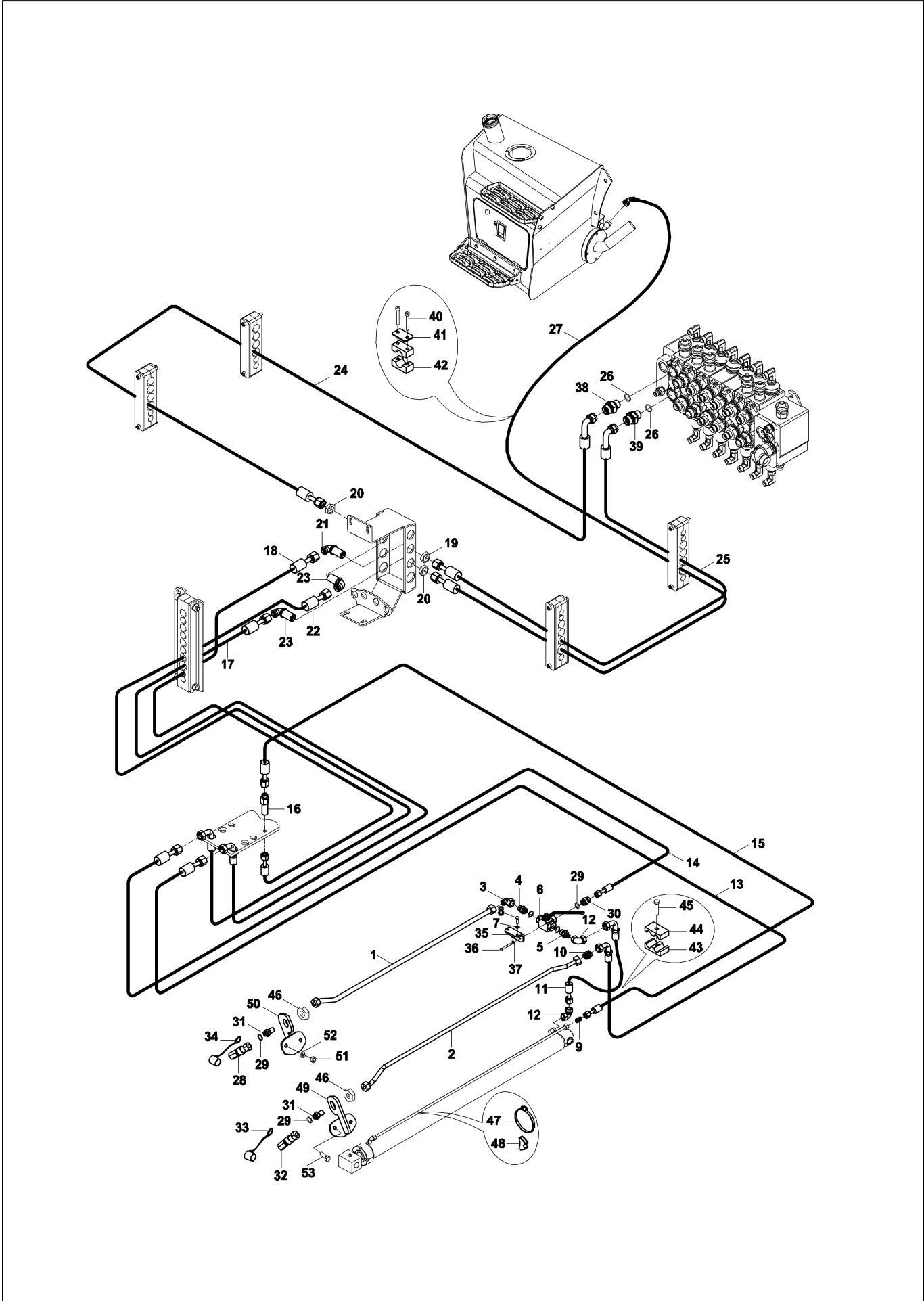
TEK ETKİLİ HİDROLİK TESİSATI (KIRICI & TELESKOPIK & KAZAYAK) (TİP B)
SINGLE ACTING HYDRAULIC PIPING (BREAKER & TELESCOPIC & WING TYPE) (TYPE



**TEK ETKİLİ HİDROLİK TESİSATI (KIRICI & TELESKOPIK & KAZAYAK) (TİP B)
SINGLE ACTING HYDRAULIC PIPING (BREAKER & TELESCOPIC & WING TYPE) (TYPE**

No	Parça No	Parça Adı	Adet	S.K.	Bas.S.N	Bit.S.N	Y.K.	Not
No	Part no	Description	Qty	SC	S/N from	S/N to	ICA	Note
1	45251653	BORU KOMPLESİ	1					
2	45251676	BORU KOMPLESİ	1					
3	N163750094	DİRSEK	1					
4	80624221	NİPEL	1					
5	80624620	NİPEL	1					
6	N140013201	KÜRESEL VANA	1					
7	N030020121	PUL	2					
8	N010232462	CIVATA	2					M10x25
9	N163450094	NİPEL	1					
10	N163450143	NİPEL	1					
11	6631121030	HORTUM KOMPLESİ	1					
12	N163750045	DİRSEK	2					
13	666442B181	HORTUM KOMPLESİ	1					
14	666442A201	HORTUM KOMPLESİ	1					
15	6631122206	HORTUM KOMPLESİ	1					
16	80624052	DUVAR NİPELİ	1					
17	6664421260	HORTUM KOMPLESİ	1					
18	6631120235	HORTUM KOMPLESİ	1					
19	80400632	SOMUN	1					
20	80400640	SOMUN	2					
21	N163610129	DUVAR NİPELİ	1					
22	6664421260	HORTUM KOMPLESİ	1					
23	N163610276	DUVAR NİPELİ	2					
24	6664426120	HORTUM KOMPLESİ	1					
25	6631121185	HORTUM KOMPLESİ	1					
26	N030000025	O-RİNGLİ PUL	2					
27	6664421300	HORTUM KOMPLESİ	1					
28	N169900102	ÇABUK BAĞLANTI	1					
29	N030000025	O-RİNGLİ PUL	5					
30	80624230	NİPEL	1					
31	80624065	NİPEL	2					
32	N169900101	ÇABUK BAĞLANTI	1					
33	F9900350	KORUYUCU BAŞLIK	1					
34	F9900351	KORUYUCU BAŞLIK	1					
35	02030527	BRAKET	1					
36	N010380446	CIVATA	2					M8x60
37	N030810014	PUL	2					
38	80624619	NİPEL	1					
39	80624230	NİPEL	1					
40	N015890398	CIVATA	2					M6x50
41	N072027512	KELEPÇE ÜST PARÇASI	1					
42	N072027513	KELEPÇE	2					
43	81052121	KELEPÇE	1					
44	81052120	KELEPÇE, ÜST	1					
45	N015890350	CIVATA	1					M6x30
46	80400640	SOMUN	2					M30x2
47	N074080100	KELEPÇE	1					

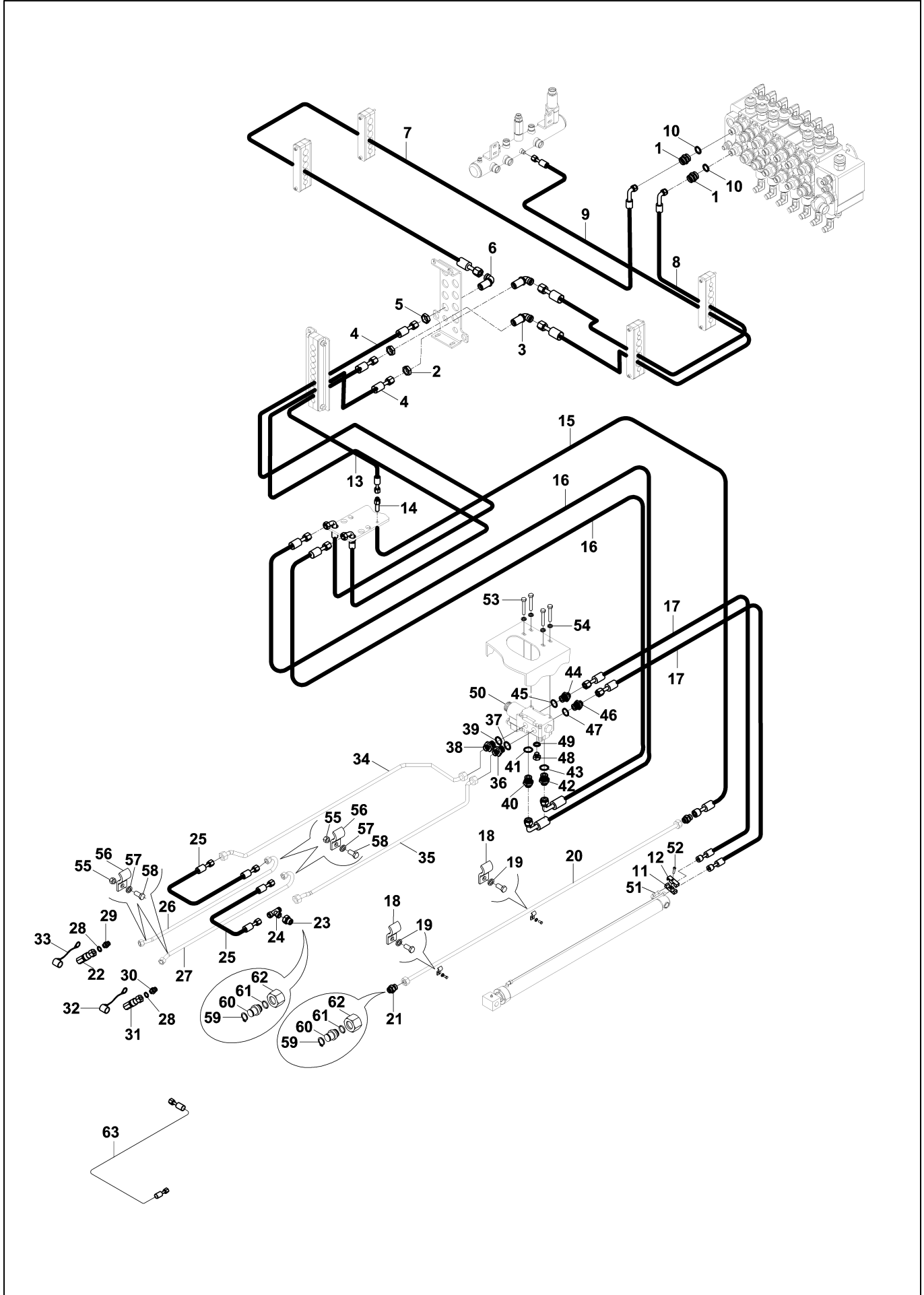
TEK ETKİLİ HİDROLİK TESİSATI (KIRICI & TELESKOPIK & KAZAYAK) (TİP B)
SINGLE ACTING HYDRAULIC PIPING (BREAKER & TELESCOPIC & WING TYPE) (TYPE



**TEK ETKİLİ HİDROLİK TESİSATI (KIRICI & TELESKOPIK & KAZAYAK) (TİP B)
SINGLE ACTING HYDRAULIC PIPING (BREAKER & TELESCOPIC & WING TYPE) (TYPE**

No	Parça No	Parça Adı	Adet	S.K.	Bas.S.N	Bit.S.N	Y.K.	Not
No	Part no	Description	Qty	SC	S/N from	S/N to	ICA	Note
48	81400362	KELEPÇE ALTLIĞI	1					
49	01993091	BRAKET	1					
50	01993092	BRAKET	1					
51	N023580206	SOMUN	2					
52	N030020121	PUL	2					
53	N010232498	CIVATA	2					M10x35

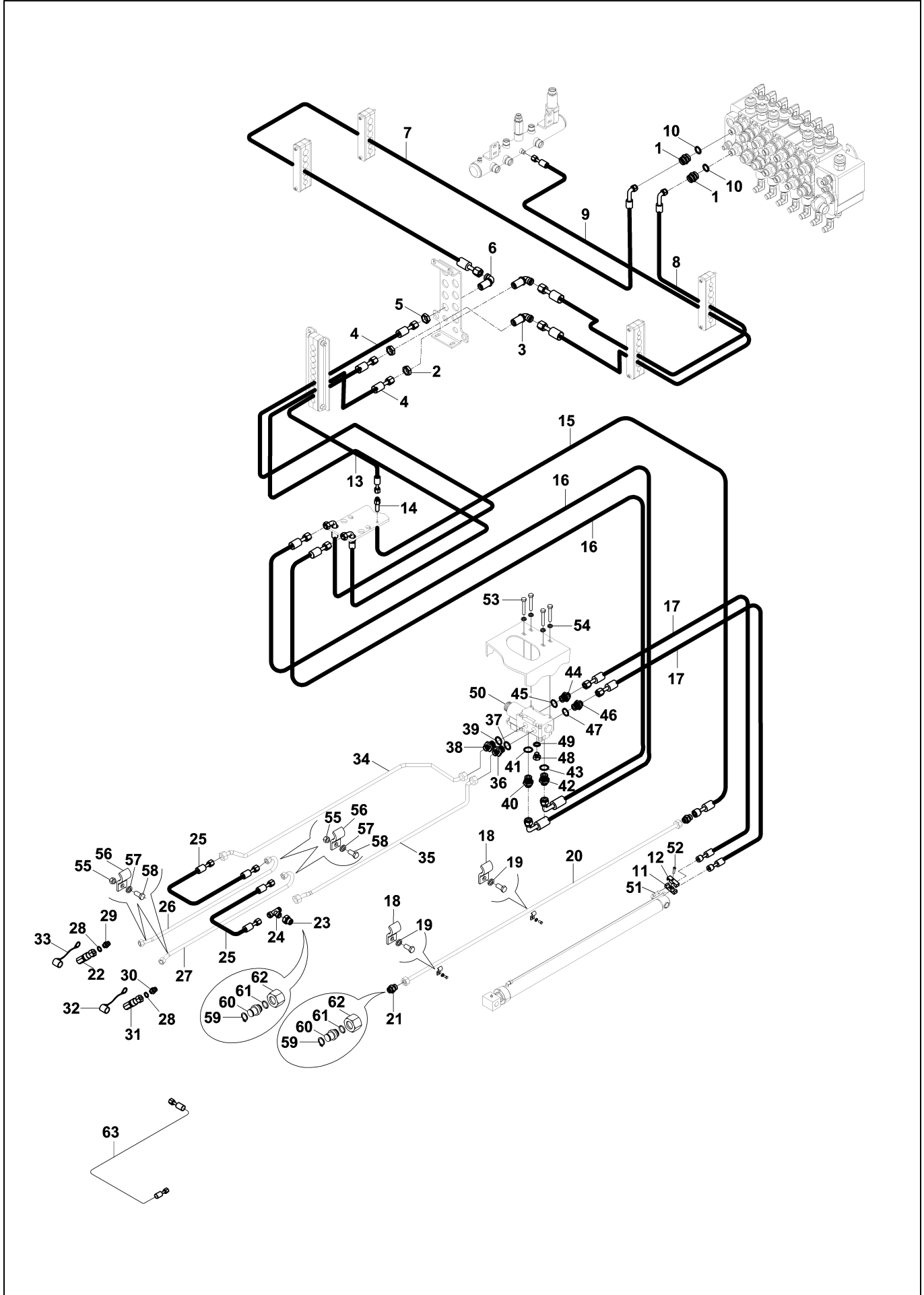
ÇİFT ETKİLİ HİD.TESİSATI,BURGU/DÖNER KEPÇE & KIRICI(STD.ARM,LEVYE)(TİP B)(OP)



ÇİFT ETKİLİ HİD.TESİSATI,BURGU/DÖNER KEPÇE & KIRICI(STD.ARM,LEVYE)(TİP B)(OP)

No	Parça No	Parça Adı	Adet	S.K.	Bas.S.N	Bit.S.N	Y.K.	Not
No	Part no	Description	Qty	SC	S/N from	S/N to	ICA	Note
1	80624128	NİPEL	2					
2	80400632	SOMUN	1					
3	N163610129	DUVAR NİPELİ	1					
4	6664421250	HORTUM KOMPLESİ	2					
5	80400640	SOMUN	1					
6	N163610276	DUVAR NİPELİ	1					
7	6664426165	HORTUM KOMPLESİ	1					
8	6631121190	HORTUM KOMPLESİ	1					
9	6631120175	HORTUM KOMPLESİ	1					
10	N030000025	O-RİNGLİ PUL	2					
11	81052121	KELEPÇE	1					
12	81052120	KELEPÇE, ÜST	1					
13	6631121250	HORTUM KOMPLESİ	1					
14	80624052	DUVAR NİPELİ	1					
15	6631122290	HORTUM KOMPLESİ	1					
16	665332B220	HORTUM KOMPLESİ	2					
17	663112A040	HORTUM KOMPLESİ	2					
18	02030103	KELEPÇE	1					
19	N010232438	CIVATA	1					M10X20
20	45251697	BORU KOMPLESİ	1					
21	N163450094	NİPEL	2					
22	N169900101	ÇABUK BAĞLANTI	2					DİŞİ
23	80699931	NİPEL	1					
24	N163570262	T ADAPTÖR	1					
25	66533MC110	HORTUM KOMPLESİ	1					
26	45251699	BORU KOMPLESİ	1					
27	45251698	BORU KOMPLESİ	1					
28	N030000025	O-RİNGLİ PUL	4					
29	N130020295	PERÇİN	4					
30	80624230	NİPEL	4					
31	N169900102	ÇABUK BAĞLANTI	2					ERKEK
32	F9900350	KORUYUCU BAŞLIK	1					
33	F9900351	KORUYUCU BAŞLIK	1					
34	45251693	BORU KOMPLESİ	1					
35	45251692	BORU KOMPLESİ	1					
36	80624026	NİPEL	1					
37	N03000015	O-RİNGLİ PUL	1					
38	80624026	NİPEL	1					
39	N03000015	O-RİNGLİ PUL	1					
40	N163430849	NİPEL	1					
41	N03000015	O-RİNGLİ PUL	1					
42	N163430849	NİPEL	1					
43	N03000015	O-RİNGLİ PUL	1					
44	N163430849	NİPEL	1					
45	N03000015	O-RİNGLİ PUL	1					
46	80624026	NİPEL	1					
47	N03000015	O-RİNGLİ PUL	1					

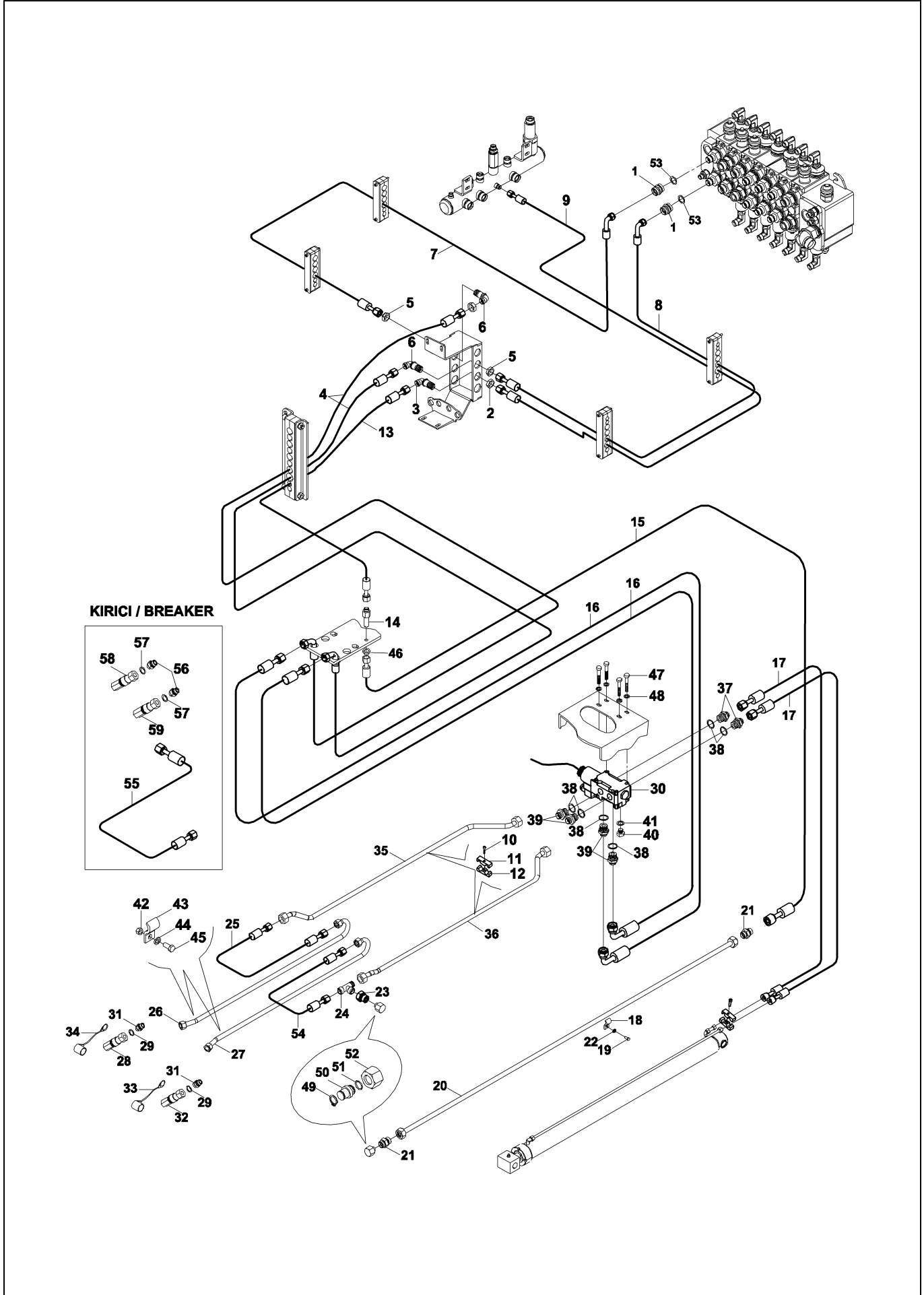
ÇİFT ETKİLİ HİD.TESİSATI,BURGU/DÖNER KEPÇE & KIRICI(STD.ARM,LEVYE)(TİP B)(OP)



ÇİFT ETKİLİ HİD.TESİSATI,BURGU/DÖNER KEPÇE & KIRICI(STD.ARM,LEVYE)(TİP B)(OP)

No	Parça No	Parça Adı	Description	Adet	S.K.	Bas.S.N	Bit.S.N	Y.K.	Not
No	Part no			Qty	SC	S/N from	S/N to	ICA	Note
48	81404060	TAPA	PLUG	1					
49	N0300000004	PUL	WASHER	1					
50	F1888011	SOLENOİD VALF KOMPLESİ	SELENOID VALVE	1					
51	45250101	BORU KOMPLESİ	PIPE ASS'Y	1					
52	N015890350	CIVATA	BOLT	1					M6X30
53	N010232138	CIVATA	BOLT	4					M8X25
54	N030020011	PUL	WASHER	4					
55	N023580182	SOMUN	NUT	4					M8
56	02030103	KELEPÇE	CLAMP	4					
57	N030020011	PUL	WASHER	4					
58	N010232438	CIVATA	BOLT	4					M10x20
59	N050020019	SEGMAN	RETAINING RING	2					
60	81405218	KÖR TAPA	PLUG	2					
61	N102000918	O-RİNG	O-RING	2					
62	N173570192	YÜKSÜKLÜ SOMUN	NUT	2					
63	663112A044	HORTUM KOMPLESİ	HOSE ASS'Y	2					

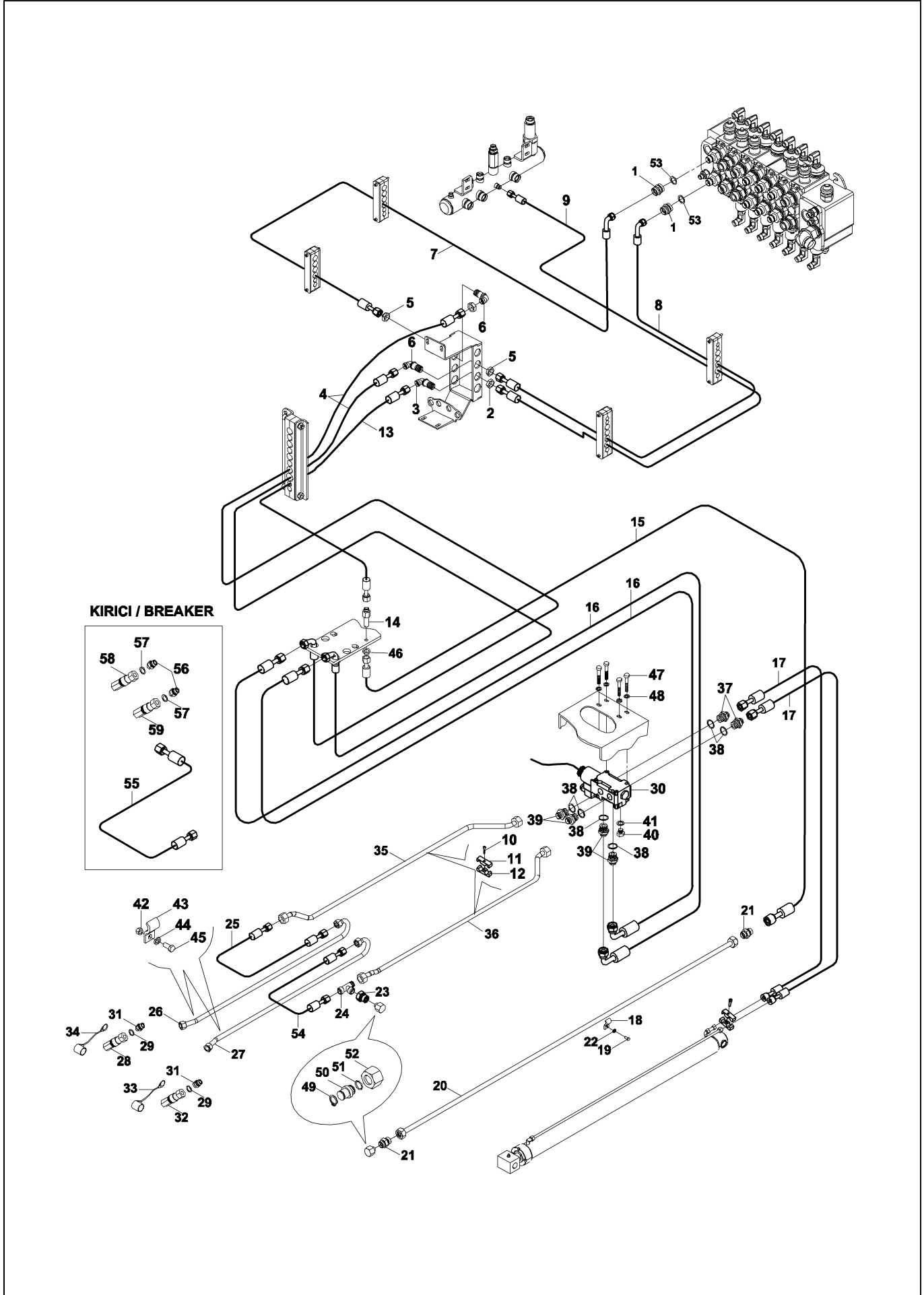
ÇİFT ETKİLİ HİDR.TESİSATI(BURGU/DÖNER KEPÇE&KIRICI&TELESKOPIK ARM&LV&TİP B)



**ÇİFT ETKİLİ HİDR.TESİSATI(BURGU/DÖNER KEPÇE&KIRICI&TELESKOPIK
ARM&LV&TİP B)**

No	Parça No	Parça Adı	Adet	S.K.	Bas.S.N	Bit.S.N	Y.K.	Not
No	Part no	Description	Qty	SC	S/N from	S/N to	ICA	Note
1	80624126	NİPEL	2					
2	80400632	SOMUN	1					
3	N163610129	DUVAR NİPELİ	1					
4	6653321260	HORTUM KOMPLESİ	2					
5	80400640	SOMUN	1					
6	N163610276	DUVAR NİPELİ	2					
7	6653326165	HORTUM KOMPLESİ	1					
8	6631121185	HORTUM KOMPLESİ	1					
9	6631120175	HORTUM KOMPLESİ	1					
10	N010232534	CIVATA	3					M10x50
11	81052181	KELEPÇE	3					
12	81052180	KELEPÇE	3					
13	6631120235	HORTUM KOMPLESİ	1					
14	80624046	DUVAR NİPELİ	1					
15	6631122210	HORTUM KOMPLESİ	1					
16	665332B210	HORTUM KOMPLESİ	1					
17	663112A040	HORTUM KOMPLESİ	1					
18	02030103	KELEPÇE	1					
19	N010232438	CIVATA	1					M10x20
20	45251697	BORU KOMPLESİ	1					
21	N163450094	NİPEL	1					
22	N030810015	PUL	4					
23	80699931	NİPEL	1					
24	N163570262	T ADAPTÖR	1					
25	66533MC110	HORTUM KOMPLESİ	1					
26	45251699	BORU KOMPLESİ	1					
27	45251698	BORU KOMPLESİ	1					
28	N169900101	ÇABUK BAĞLANTI	1					
29	N030000025	O-RİNGLİ PUL	2					
30	F1888011	SOLENOİD VALF KOMPLESİ	1					
31	80624126	NİPEL	2					
32	N169900102	ÇABUK BAĞLANTI	1					
33	F9900350	KORUYUCU BAŞLIK	1					
34	F9900351	KORUYUCU BAŞLIK	1					
35	45251693	BORU KOMPLESİ	1					
36	45251692	BORU KOMPLESİ	1					
37	N163430849	NİPEL	2					
38	N030000015	O-RİNGLİ PUL	6					
39	80624026	NİPEL	4					
40	81404060	TAPA	1					
41	N030000004	O-RİNGLİ PUL	1					
42	N023580182	SOMUN	4					
43	02030106	BRAKET	4					
44	N030810015	PUL	4					
45	N010232438	CIVATA	4					M10x20
46	80400618	SOMUN	1					
47	N010232138	CIVATA	4					M8x25

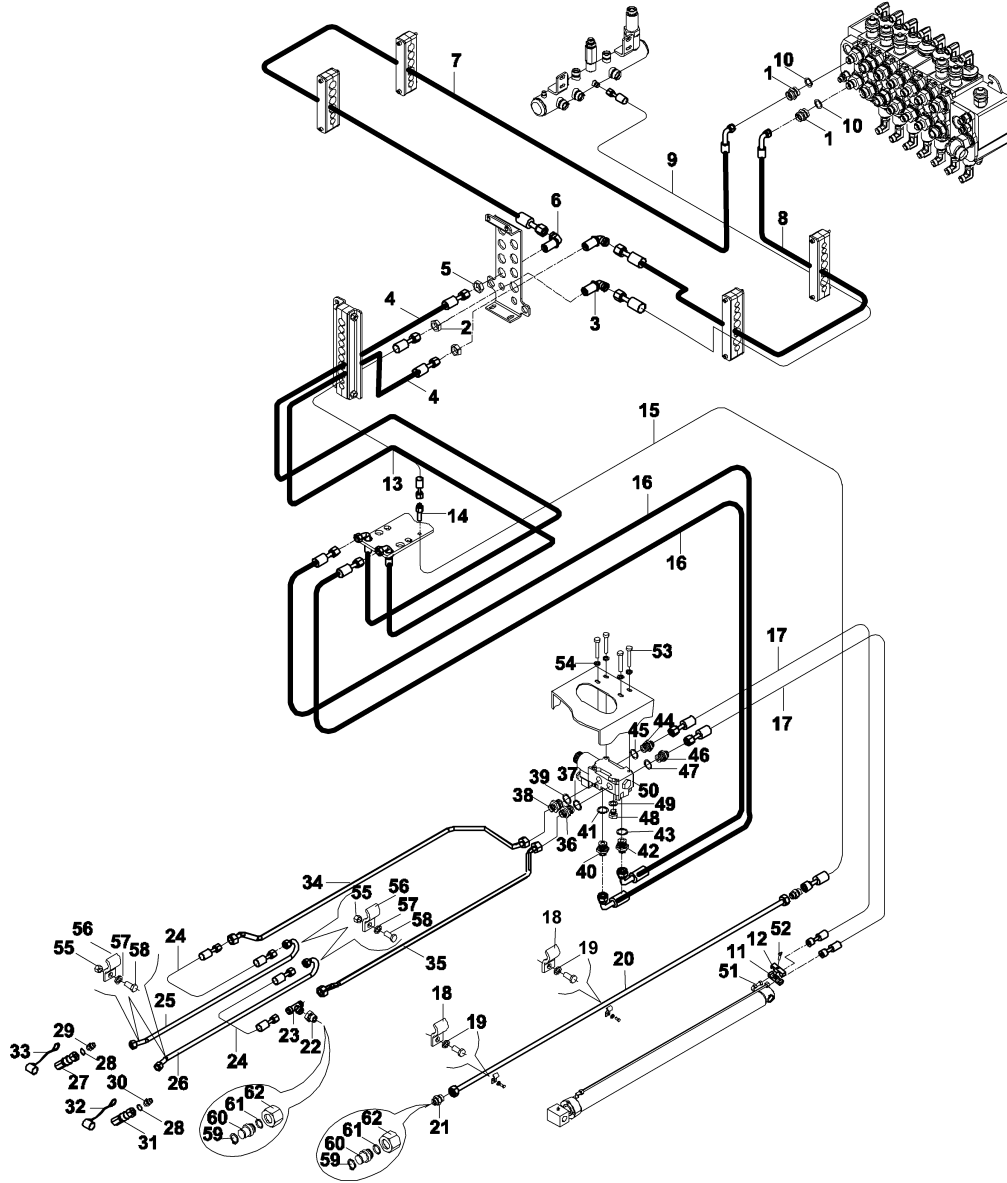
ÇİFT ETKİLİ HİDR.TESİSATI(BURGU/DÖNER KEPÇE&KIRICI&TELESKOPIK ARM&LV&TİP B)



**ÇİFT ETKİLİ HİDR.TESİSATI(BURGU/DÖNER KEPÇE&KIRICI&TELESKOPIK
ARM&LV&TİP B)**

No	Parça No	Parça Adı	Adet	S.K.	Bas.S.N	Bit.S.N	Y.K.	Not
No	Part no	Description	Qty	SC	S/N from	S/N to	ICA	Note
48	N030810014	PUL	4					
49	N050020019	SEGMAN	2					
50	81405218	KÖR TAPA	2					
51	N102000918	O-RİNG	2					
52	N173570192	YÜKSÜKLÜ SOMUN	2					
53	N030000025	O-RİNGLİ PUL	2					
54	66533MA110	HORTUM KOMPLESİ	1					
55	6631121045	HORTUM KOMPLESİ	1					
56	80624126	NİPEL	2					
57	N030000025	O-RİNGLİ PUL	2					
58	N019900101	ÇABUK BAĞLANTI	1					
59	N019900102	ÇABUK BAĞLANTI	1					

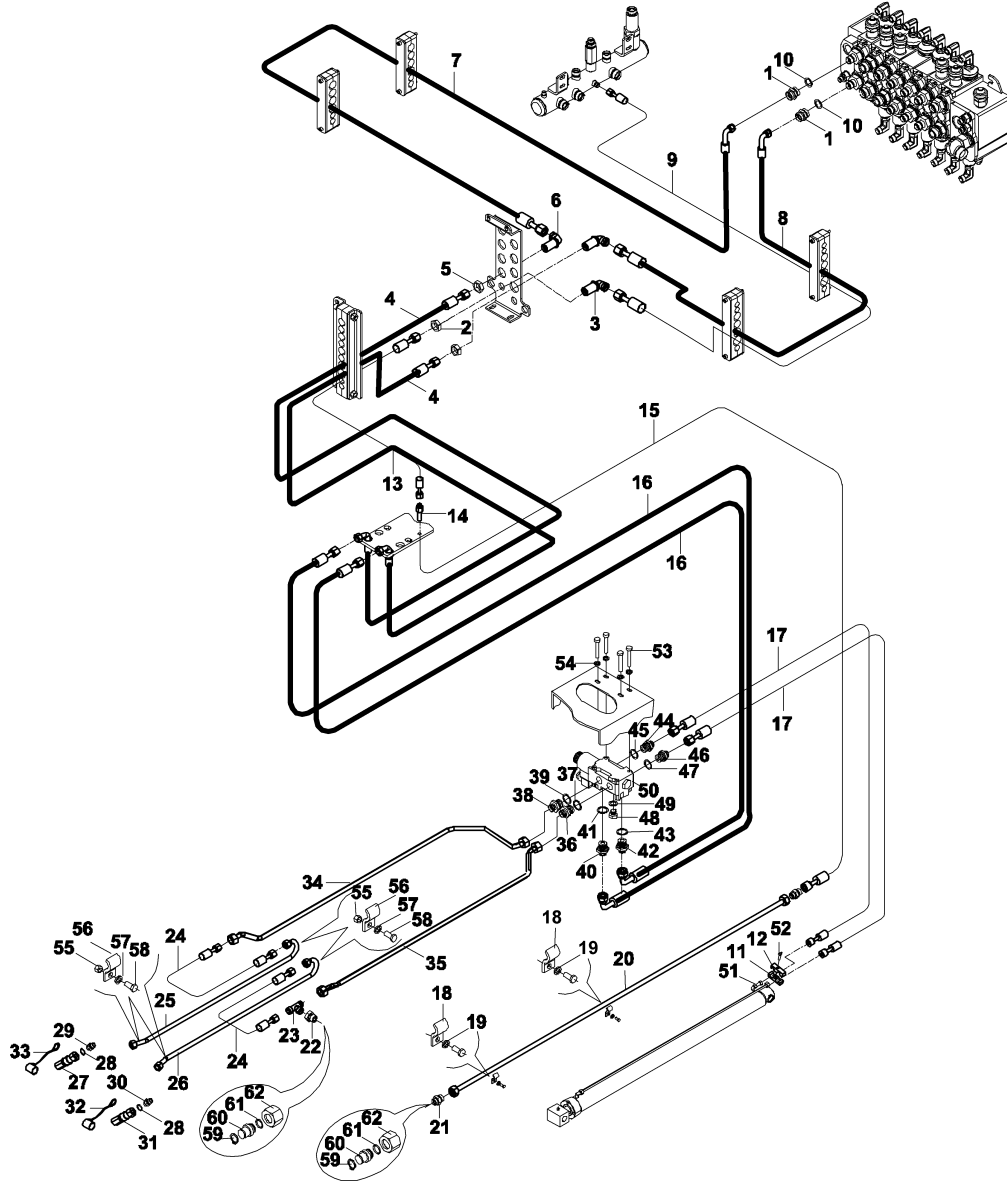
ÇİFT ETKİLİ HİDR.TESİSATI,BURGU/DÖNER KEPÇE&KIRICI(TEL.ARM&JOYSTİK&TİP B)



ÇİFT ETKİLİ HİDR.TESİSATI,BURGU/DÖNER KEPÇE&KIRICI(TEL.ARM&JOYSTİK&TİP B)

No	Parça No	Parça Adı	Adet	S.K.	Bas.S.N	Bit.S.N	Y.K.	Not
No	Part no	Description	Qty	SC	S/N from	S/N to	ICA	Note
1	80624128	NİPEL	2					
2	80400632	SOMUN	1					
3	N163610129	DUVAR NİPELİ	1					
4	6664421250	HORTUM KOMPLESİ	2					
5	80400640	SOMUN	1					
6	N163610276	DUVAR NİPELİ	1					
7	6664426165	HORTUM KOMPLESİ	1					
8	6631121185	HORTUM KOMPLESİ	1					
9	6631120175	HORTUM KOMPLESİ	1					
10	N030000025	O-RİNGLİ PUL	2					
11	81052121	KELEPÇE	1					
12	81052120	KELEPÇE, ÜST	1					
13	6631121250	HORTUM KOMPLESİ	1					
14	80624052	DUVAR NİPELİ	1					
15	6631122290	HORTUM KOMPLESİ	1					
16	665332B220	HORTUM KOMPLESİ	2					
17	663112A040	HORTUM KOMPLESİ	2					
18	02030103	KELEPÇE	1					
19	N010232438	CIVATA	1					M10X20
20	45251697	BORU KOMPLESİ	1					
21	N163450094	NİPEL	2					
22	80699931	NİPEL	1					
23	N163570262	T ADAPTÖR	1					
24	66533MC110	HORTUM KOMPLESİ	2					
25	45251699	BORU KOMPLESİ	1					
26	45251698	BORU KOMPLESİ	1					
27	N169900101	ÇABUK BAĞLANTI	2					DİŞİ
28	N030000025	O-RİNGLİ PUL	4					
29	N130020295	PERÇİN	4					
30	80624230	NİPEL	4					
31	N169900102	ÇABUK BAĞLANTI	2					ERKEK
32	F9900350	KORUYUCU BAŞLIK	1					
33	F9900351	KORUYUCU BAŞLIK	1					
34	45251693	BORU KOMPLESİ	1					
35	45251692	BORU KOMPLESİ	1					
36	80624026	NİPEL	1					
37	N030000015	O-RİNGLİ PUL	1					
38	80624026	NİPEL	1					
39	N030000015	O-RİNGLİ PUL	1					
40	N163430849	NİPEL	1					
41	N030000015	O-RİNGLİ PUL	1					
42	N163430849	NİPEL	1					
43	N030000015	O-RİNGLİ PUL	1					
44	N163430849	NİPEL	1					
45	N030000015	O-RİNGLİ PUL	1					
46	80624026	NİPEL	1					
47	N030000015	O-RİNGLİ PUL	1					

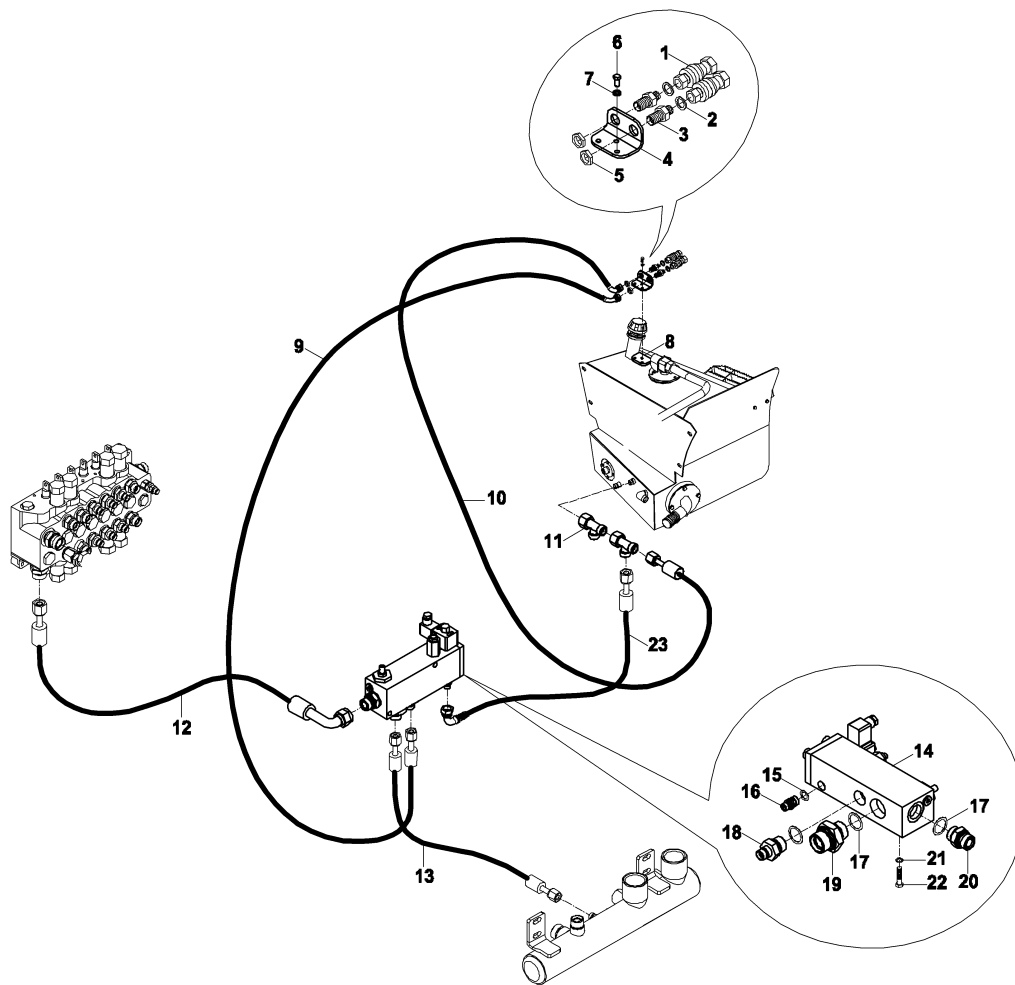
ÇİFT ETKİLİ HİDR.TESİSATI,BURGU/DÖNER KEPÇE&KIRICI(TEL.ARM&JOYSTİK&TİP B)



**ÇİFT ETKİLİ HİDR.TESİSATI,BURGU/DÖNER KEPÇE&KIRICI(TEL.ARM&JOYSTİK&TİP
B)**

No	Parça No	Parça Adı	Description	Adet	S.K.	Bas.S.N	Bit.S.N	Y.K.	Not
No	Part no			Qty	SC	S/N from	S/N to	ICA	Note
48	81404060	TAPA	PLUG	1					
49	N030000004	O-RİNGLİ PUL	WASHER	1					
50	F1888011	SOLENOİD VALF KOMPLESİ	SELENOID VALVE	1					
51	45250101	BORU KOMPLESİ	PIPE ASSY	1					
52	N015890350	CIVATA	BOLT	1					M6X30
53	N010232138	CIVATA	BOLT	4					M8X25
54	N030020011	PUL	WASHER	4					
55	N023580182	SOMUN	NUT	4					M8
56	02030103	KELEPÇE	CLAMP	4					
57	N030020011	PUL	WASHER	4					
58	N010232438	CIVATA	BOLT	4					M10x20
59	N050020019	SEGMAN	RETAINING RING	2					
60	81405218	KÖR TAPA	PLUG	2					
61	N102000918	O-RİNG	O-RING	2					
62	N173570192	YÜKSÜKLÜ SOMUN	NUT	2					

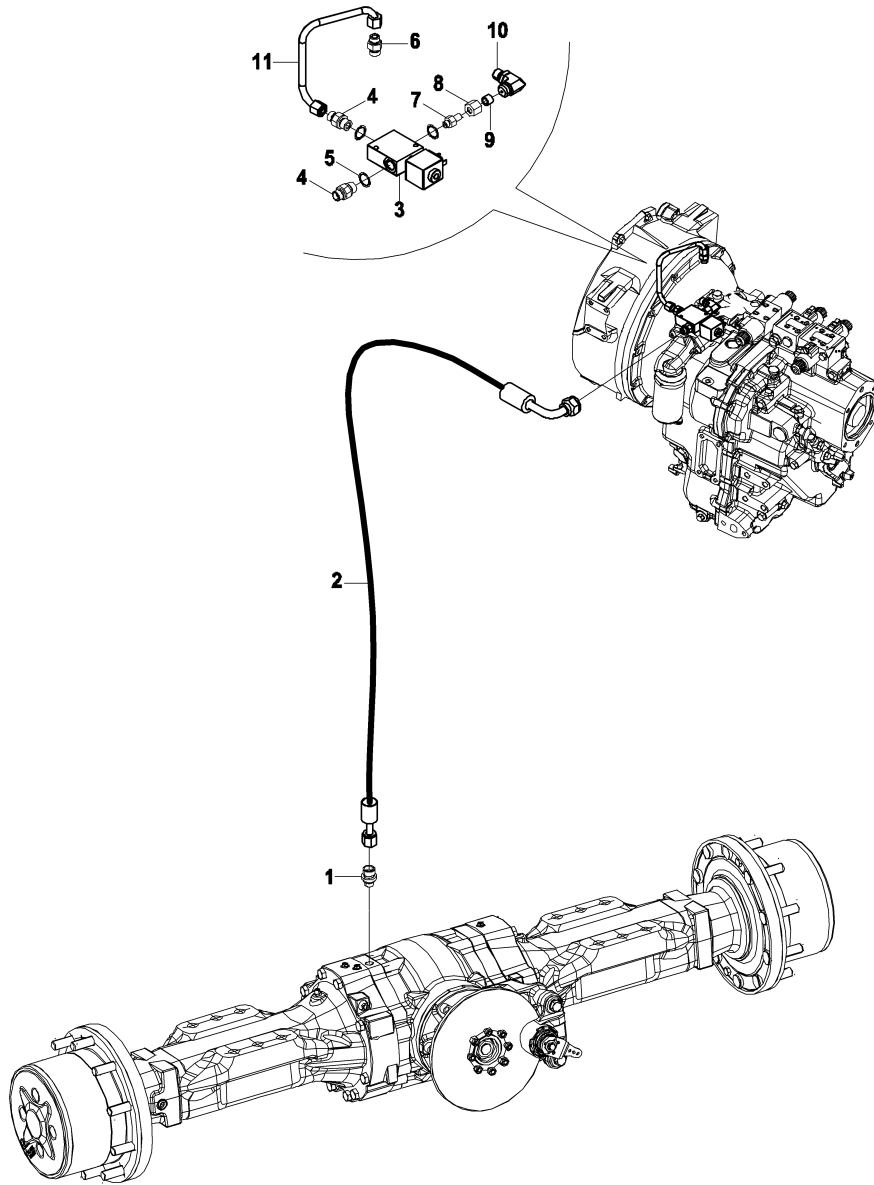
HİDROLİK, EL KIRICISI (OP)
 HYDRAULIC, HAND BREAKER (OP)



HİDROLİK, EL KIRICISI (OP)
HYDRAULIC, HAND BREAKER (OP)

No	Parça No	Parça Adı	Description	Adet	S.K.	Bas.S.N	Bit.S.N	Y.K.	Not
No	Part no			Qty	SC	S/N from	S/N to	ICA	Note
1	N169900070	ÇABUK BAĞLANTI KOMPLESİ	QUICK COUPLING KIT, G3/8"	2					
2	N030000005	O-RİNGLİ PUL	WASHER	2					
3	80624119	NİPEL	ADAPTER	2					
4	02011922	BRAKET	BRACKET	1					
5	80400618	SOMUN	NUT	2					
6	N010232078	CIVATA	BOLT	3					M8x15
7	N030020011	PUL	WASHER	3					
8	02021297	SAC	PLATE	1					
9	6631121260	HORTUM KOMPLESİ	HOSE ASS'Y	1					
10	6631126140	HORTUM KOMPLESİ	HOSE ASS'Y	1					
11	N163790038	T ADAPTÖR	TEE	1					
12	6664421050	HORTUM KOMPLESİ	HOSE ASS'Y	1					
13	6631123135	HORTUM KOMPLESİ	HOSE ASS'Y	1					
14	F1899220	VALF, EL KIRICISI	VALVE, HAND BREAKER	1					
15	N030213191	PUL	WASHER	1					
16	80624017	NİPEL	ADAPTER	1					
17	N030000025	O-RİNGLİ PUL	WASHER	3					
18	80624619	NİPEL	ADAPTER	1					
19	80624636	NİPEL	ADAPTER	1					
20	80624230	NİPEL	ADAPTER	1					
21	N030100020	PUL	WASHER	2					
22	N010380722	CIVATA	BOLT	2					M10x80
23	6631123135	HORTUM KOMPLESİ	HOSE ASS'Y	1					

HİDROLİK TESİSAT, DİFERANSİYEL KİLİDİ HYDRAULIC PIPING, DIFFERENTIAL LOCK



HİDROLİK TESİSAT, DİFERANSİYEL KİLİDİ
HYDRAULIC PIPING, DIFFERENTIAL LOCK

No	Parça No	Parça Adı	Adet	S.K.	Bas.S.N	Bit.S.N	Y.K.	Not
No	Part no	Description	Qty	SC	S/N from	S/N to	ICA	Note
1	80624080	NİPEL	1					
2	6020021125	HORTUM KOMPLESİ	1					
3	F1899100	SOLENOİD VALF	1					
4	N16K114348	NİPEL	2					
5	N030000005	O-RİNGLİ PUL	3					
6	N16K310365	NİPEL	1					
7	80602117	NİPEL	1					
8	N173570164	YÜKSÜKLÜ SOMUN	1					
9	N183570164	YÜKSÜK	1					
10	N163470409	DİRSEK	1					
11	45290649	BORU KOMPLESİ	1					

TABLA KAYDIRMA HİDROLİĞİ (OP)
POWER SLIDER HYDRAULIC (OP)

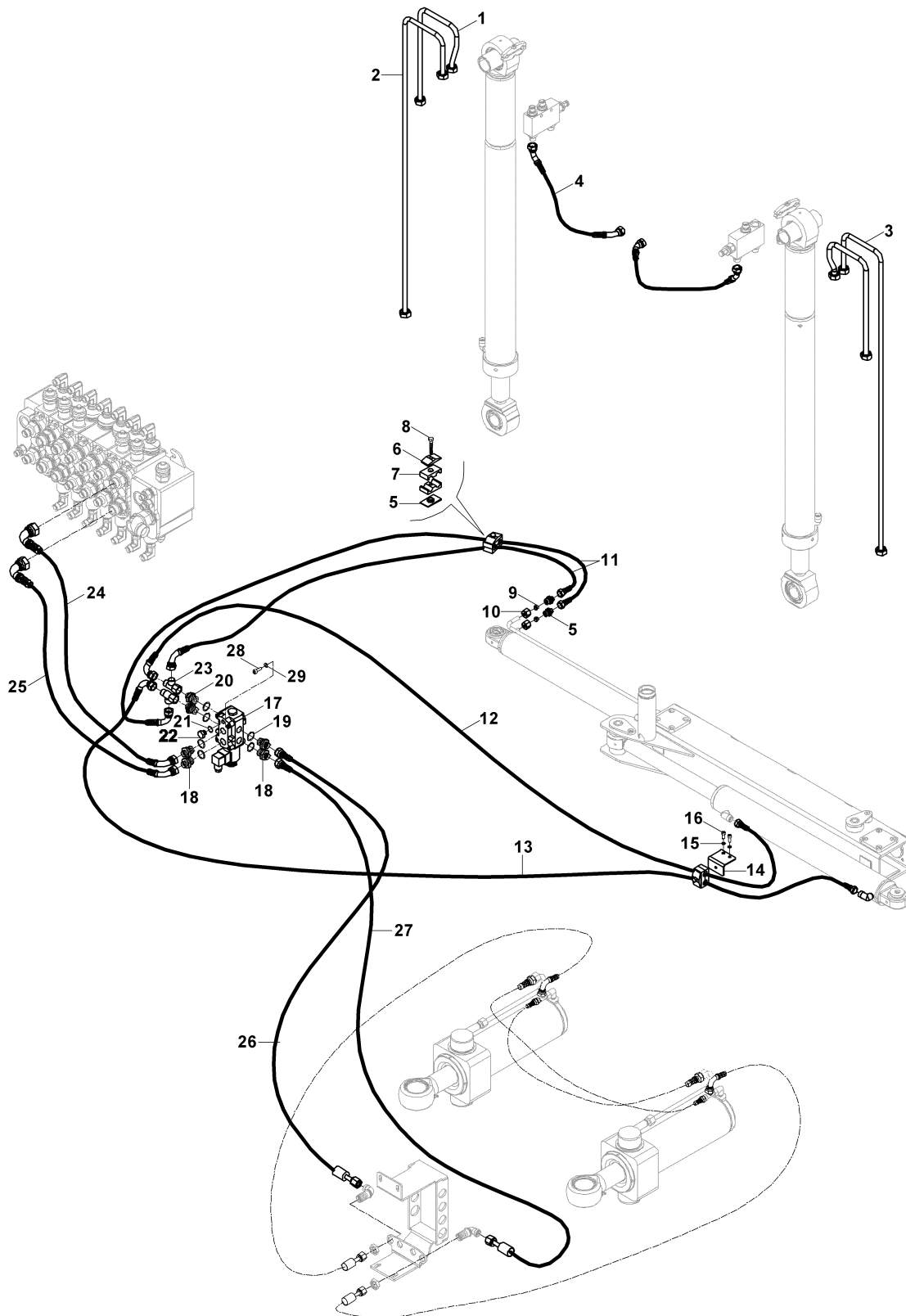


TABLA KAYDIRMA HİDROLİĞİ (OP)
POWER SLIDER HYDRAULIC (OP)

No	Parça No	Parça Adı	Description	Adet	S.K.	Bas.S.N	Bit.S.N	Y.K.	Not
No	Part no			Qty	SC	S/N from	S/N to	ICA	Note
1	45251469	TESİSAT BORUSU	PIPE	2					
2	45251468	TESİSAT BORUSU	PIPE	1					
3	45251467	TESİSAT BORUSU	PIPE	1					
4	6631127145	HORTUM	HOSE	2					
5	80624011	NİPEL	ADAPTER	2					
6	N073016002	KELEPÇE ÜST PARÇASI	COVER, CLAMP	2					
7	N073013503	KELEPÇE	CLAMP	4					
8	N010380398	CIVATA	BOLT	2					M8x45
9	N183570164	YÜKSÜK	RING	2					
10	N173570164	YÜKSÜKLÜ SOMUN	NUT	2					
11	6020023140	HORTUM KOMPLESİ	HOSE ASS'Y	2					
12	6020021215	HORTUM	HOSE	1					
13	6020021215	HORTUM	HOSE	1					
14	02030560	SAC, KELEPÇE TUTUCU	BRACKET	1					
15	N030100013	PUL	WASHER	2					
16	N010231478	CIVATA	BOLT	2					M6x10
17	F1888011	SOLENOİD VALF KOMPLESİ	SELENOID VALVE	1					
18	N163430849	NİPEL	ADAPTER	4					
19	N030000015	O-RİNGLİ PUL	WASHER	6					M6
20	80624816	NİPEL	ADAPTER	2					
21	N030000004	O-RİNGLİ PUL	WASHER	1					
22	81404060	TAPA	PLUG	1					
23	N163790031	T ADAPTÖR	TEE	2					
24	6631122075	HORTUM	HOSE	1					
25	6631122065	HORTUM	HOSE	1					
26	6631121200	HORTUM	HOSE	1					
27	6631121200	HORTUM	HOSE	1					
28	N015890470	CIVATA	BOLT	4					M8x25
29	N030020011	PUL	WASHER	4					

G - HİDROLİK KOMPONENTLER

G - HYDRAULIC COMPONENTS

Sayfa No / Page No	Sayfa Adı	Page Name	Revizyon / Revision
G010.01.01	DİŞLİ POMPA	GEAR PUMP	
G020.00.01	PİSTONLU POMPA	PISTON PUMP	
G030.01.01	YÜKLEYİCİ KUMANDA VALFİ (SABİT KEPÇE, LS-TİP B)	LOADER CONTROL VALVE (GP BUCKET, LS-TYPE B)	
G030.01.02	YÜKLEYİCİ KUMANDA VALFİ- GİRİŞ BLOĞU (TİP B)	LOADER CONTROL VALVE-INLET BLOCK (TYPE B)	
G030.01.03	YÜKLEYİCİ KUMANDA VALFİ- KALDIRICI SİLİNDİR, KONTROL BLOĞU (TİP B)	LOADER CONTROL VALVE- LIFT CYLINDER CONTROL BLOCK (TYPE B)	
G030.01.04	YÜKLEYİCİ KUMANDA VALFİ- ARM SİLİNDİR KONTROL, BLOĞU (TİP B)	LOADER CONTROL VALVE- ARM CYLINDER CONTROL BLOCK (TYPE B)	
G030.01.05	YÜKLEYİCİ KUMANDA VALFİ- AÇILIR KEPÇE SİLİNDİRİ, KONTROL BLOĞU(TİP B)	LOADER CONTROL VALVE- CLAMSHOVEL RAM CONTROL BLOCK (TYPE B)	
G030.01.06	YÜKLEYİCİ KUMANDA VALFİ- ÇIKIŞ BLOĞU (TİP B)	LOADER CONTROL VALVE- OUTLET BLOCK (TYPE B)	
G030.02.01	YÜKLEYİCİ KUMANDA VALFİ, SABİT KEPÇE (PB-TİP B)	LOADER CONTROL VALVE, MECHANIC (PB-TYPE B)	
G030.02.02	YÜKLEYİCİ KUMANDA VALFİ- ARM SİLİNDİR KONTROL, BLOĞU (TİP B)	LOADER CONTROL VALVE- ARM CYLINDER CONTROL BLOCK (TYPE B)	
G030.02.03	YÜKLEYİCİ KUMANDA VALFİ- ÇIKIŞ BLOĞU (TİP B)	LOADER CONTROL VALVE- OUTLET BLOCK (TYPE B)	
G030.02.04	YÜKLEYİCİ KUMANDA VALFİ- GİRİŞ BLOĞU (TİP B-PB)	LOADER CONTROL VALVE-INLET BLOCK (TYPE B-PB)	
G030.02.05	YÜKLEYİCİ KUMANDA VALFİ- KALDIRICI SİLİNDİR, KONTROL BLOĞU (TİP B)	LOADER CONTROL VALVE- LIFT CYLINDER CONTROL BLOCK (TYPE B)	
G030.02.06	YÜKLEYİCİ KUMANDA VALFİ- AÇILIR KEPÇE SİLİNDİRİ, KONTROL BLOĞU(TİP B)	LOADER CONTROL VALVE- CLAMSHOVEL RAM CONTROL BLOCK (TYPE B)	
G040.02.01	KAZICI KUMANDA VALFİ, JOYSTİCK (PİSTONLU POMPA & TİP B, FS)	BACKHOE CONTROL VALVE, JOYSTICK (PISTON PUMP & TYPE B, FS)	
G040.02.02	KAZICI KUMANDA VALFİ- GİRİŞ BLOĞU (TİP B)	BACKHOE CONTROL VALVE-INLET BLOCK (TYPE B)	
G040.02.03	KAZICI KUMANDA VALFİ- ÇIKIŞ BLOĞU (TİP B)	BACKHOE CONTROL VALVE -OUTLET BLOCK (TYPE B)	
G040.02.04	KAZICI KUMANDA VALFİ ARM KONTROL BLOĞU, JOYSTİCK (TİP B)	BACKHOE CONTROL VALVE ARM CONTROL BLOCKS, JOYSTICK (TYPE B)	
G040.02.05	KAZICI KUMANDA VALFİ- DÖNÜŞ SİLİNDİRİ KONTROL BLOĞU, JOYSTİCK (TİP B)	BACKHOE CONTROL VALVE-SLEW SWING RAM CONTROL BLOCK, JOYSTICK (TYPE B)	
G040.02.06	KAZICI KUMANDA VALFİ- AYAK SİLİNDİRİ KONTROL BLOĞU, JOYSTİCK (TİP B)	BACKHOE CONTROL VALVE-STABILIZER RAM CONTROL BLOCK, JOYSTICK (TYPE B)	
G040.02.07	KAZICI KUMANDA VALFİ- KIVIRICI SİLİNDİR KONTROL BLOĞU, JOYSTİCK (TİP B)	BACKHOE CONTROL VALVE BUCKET RAM CONTROL BLOCK, JOYSTICK (TYPE B)	
G040.02.08	KAZICI KUMANDA VALFİ BOM KONTROL BLOĞU,JOYSTİCK (TİP B)	BACKHOE CONTROL VALVE BOOM CONTROL BLOCKS, JOYSTICK (TYPE B)	
G040.02.09	KAZICI KUMANDA VALFİ TELESKOPIK KONTROL BLOĞU, JOYSTİCK (TİP B)	BACKHOE CONTROL VALVE TELESCOPIC CONTROL BLOCKS, JOYSTICK (TYPE B)	
G040.03.01	KAZICI KUMANDA VALFİ, LEVYELİ (DİŞLİ POMPA & TİP B)	BACKHOE CONTROL VALVE, LEVERS (GEAR PUMP & TYPE B)	
G040.03.02	TELESKOPIK SİLİNDİR KONTROL BLOĞU, LEVYELİ (DİŞLİ POMPA & TİP B)	TELESCOPIC RAM CONTROL BLOCK, LEVERS (GEAR PUMP & TYPE B)	
G040.03.03	AYAK SİLİNDİRİ KONTROL BLOĞU, LEVYELİ (DİŞLİ POMPA & TİP B)	STABILIZER RAM CONTROL BLOCK, LEVERS (GEAR PUMP & TYPE B)	
G040.03.04	KAZICI KUMANDA VALFİ ÇIKIŞ BLOĞU, LEVYELİ (DİŞLİ POMPA & TİP B)	BACKHOE CONTROL VALVE OUTLET BLOCK, LEVERS (GEAR PUMP & TYPE B)	
G040.03.05	KAZICI KUMANDA VALFİ GİRİŞ BLOĞU, LEVYELİ (DİŞLİ POMPA & TİP B)	BACKHOE CONTROL VALVE INLET BLOCK, LEVERS (GEAR PUMP & TYPE B)	

G - HİDROLİK KOMPONENTLER

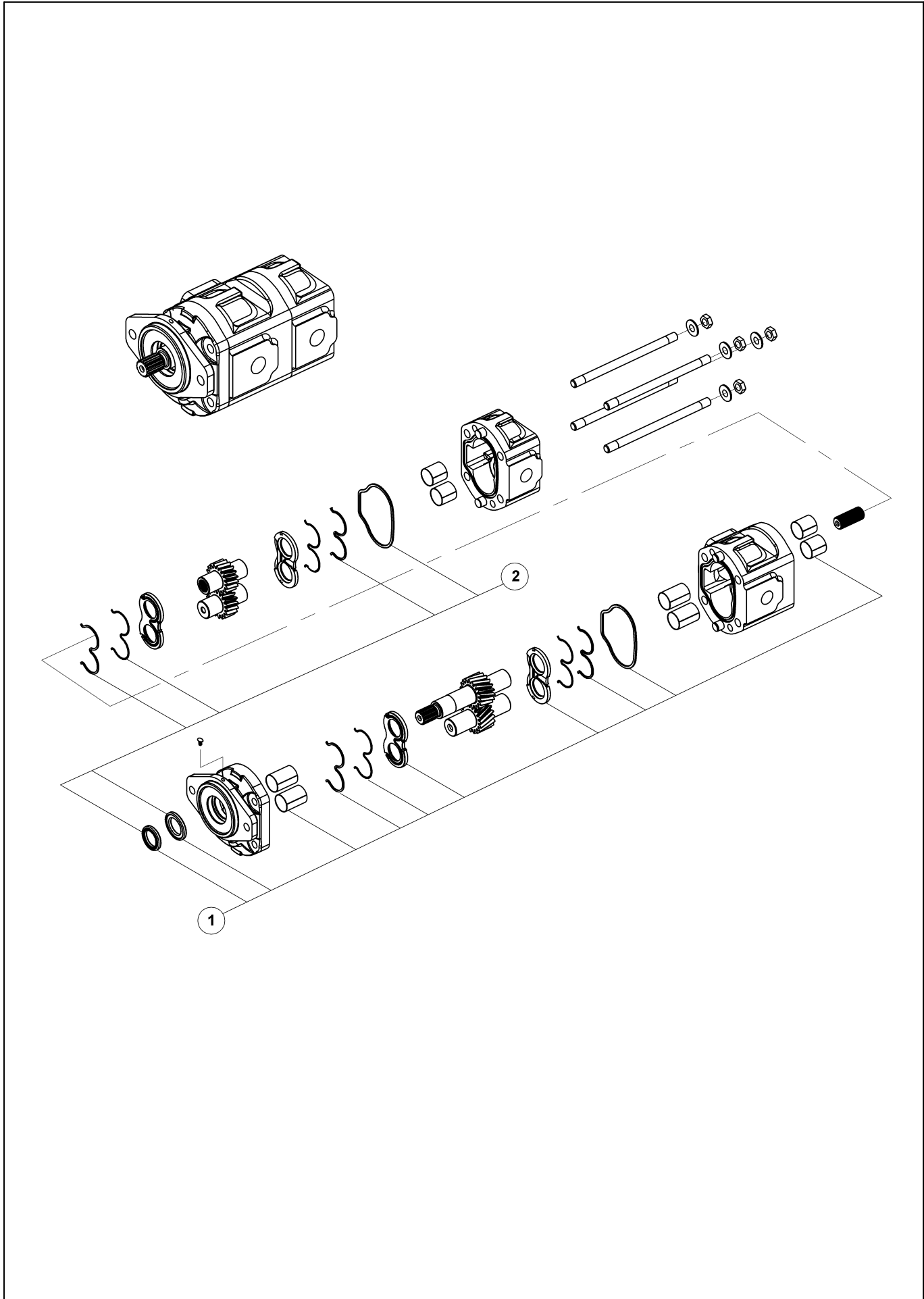
G - HYDRAULIC COMPONENTS

Sayfa No / Page No	Sayfa Adı	Page Name	Revizyon / Revision
G040.03.06	DEVİRİCİ SİLİNDİR KONTROL BLOĞU, LEVYELİ (DİŞLİ POMPA & TİP B)	DIPPER RAM CONTROL BLOCK, LEVERS (GEAR PUMP & TYPE B)	
G040.03.07	KALDIRICI SİLİNDİR KONTROL BLOĞU, LEVYELİ (DİŞLİ POMPA & TİP B)	LIFT RAM CONTROL BLOCK, LEVERS (GEAR PUMP & TYPE B)	
G040.03.08	KIVIRICI SİLİNDİR KONTROL BLOĞU, LEVYELİ (DİŞLİ POMPA & TİP B)	BUCKET RAM CONTROL BLOCK, LEVERS (GEAR PUMP & TYPE B)	
G040.03.09	DÖNÜŞ SİLİNDİRİ KONTROL BLOĞU, LEVYELİ (DİŞLİ POMPA & TİP B)	SLEW SWING RAM CONTROL BLOCK, LEVERS (GEAR PUMP & TYPE B)	
G040.06.01	KAZICI KUMANDA VALFİ, JOYSTICK (DİŞLİ POMPA & TİP B, FS)	BACKHOE CONTROL VALVE, JOYSTICK (GEAR PUMP & TYPE B, FS)	
G040.06.02	KAZICI KUMANDA VALFİ- GİRİŞ BLOĞU (TİP B)	BACKHOE CONTROL VALVE-INLET BLOCK (TYPE B)	
G040.06.03	KAZICI KUMANDA VALFİ- ÇIKIŞ BLOĞU (TİP B)	BACKHOE CONTROL VALVE -OUTLET BLOCK (TYPE B)	
G040.06.04	KAZICI KUMANDA VALFİ-ARM KONTROL BLOĞU, JOYSTICK (TİP B)	BACKHOE CONTROL VALVE-ARM CONTROL BLOCKS,JOYSTICK(TYPE B)	
G040.06.05	KAZICI KUMANDA VALFİ- DÖNÜŞ SİLİNDİRİ KONTROL BLOĞU, JOYSTICK (TİP B)	BACKHOE CONTROL VALVE-SLEW SWING RAM CONTROL BLOCK, JOYSTICK (TYPE B)	
G040.06.06	KAZICI KUMANDA VALFİ- AYAK SİLİNDİRİ KONTROL BLOĞU, JOYSTICK (TİP B)	BACKHOE CONTROL VALVE-STABILIZER RAM CONTROL BLOCK, JOYSTICK (TYPE B)	
G040.06.07	KAZICI KUMANDA VALFİ- KIVIRICI SİLİNDİR KONTROL BLOĞU, JOYSTICK (TİP B)	BACKHOE CONTROL VALVE BUCKET RAM CONTROL BLOCK, JOYSTICK (TYPE B)	
G040.06.08	KAZICI KUMANDA VALFİ BOM KONTROL BLOĞU, JOYSTICK (TİP B)	BACKHOE CONTROL VALVE BOOM CONTROL BLOCKS, JOYSTICK (TYPE B)	
G040.06.09	KAZICI KUMANDA VALFİ TELESKOPIK KONTROL BLOĞU, JOYSTICK (TİP B)	BACKHOE CONTROL VALVE TELESCOPIC CONTROL BLOCKS, JOYSTICK (TYPE B)	
G040.07.01	KAZICI KUMANDA VALFİ, LEVYELİ (PİSTONLU POMPA & TİP B)	BACKHOE CONTROL VALVE, LEVERS (PISTON PUMP & TYPE B)	
G040.07.02	TELESKOPIK SİLİNDİR KONTROL BLOĞU, LEVYELİ (PİSTONLU POMPA & TİP B)	TELESCOPIC RAM CONTROL BLOCK, LEVERS (PISTON PUMP & TYPE B)	
G040.07.03	AYAK SİLİNDİRİ KONTROL BLOĞU, LEVYELİ (PİSTONLU POMPA & TİP B)	STABILIZER RAM CONTROL BLOCK, LEVERS (PISTON PUMP & TYPE B)	
G040.07.04	KAZICI KUMANDA VALFİ ÇIKIŞ BLOĞU, LEVYELİ (PİSTONLU POMPA & TİP B)	BACKHOE CONTROL VALVE OUTLET BLOCK, LEVERS (PISTON PUMP & TYPE B)	
G040.07.05	KAZICI KUMANDA VALFİ GİRİŞ BLOĞU, LEVYELİ (PİSTONLU POMPA & TİP B)	BACKHOE CONTROL VALVE INLET BLOCK, LEVERS (PISTON PUMP & TYPE B)	
G040.07.06	DEVİRİCİ SİLİNDİR KONTROL BLOĞU, LEVYELİ (PİSTONLU POMPA & TİP B)	DIPPER RAM CONTROL BLOCK, LEVERS (PISTON PUMP & TYPE B)	
G040.07.07	KALDIRICI SİLİNDİR KONTROL BLOĞU, LEVYELİ (PİSTONLU POMPA & TİP B)	LIFT RAM CONTROL BLOCK, LEVERS (PISTON PUMP & TYPE B)	
G040.07.08	KIVIRICI SİLİNDİR KONTROL BLOĞU, LEVYELİ (PİSTONLU POMPA & TİP B)	BUCKET RAM CONTROL BLOCK, LEVERS (PISTON PUMP & TYPE B)	
G040.07.09	DÖNÜŞ SİLİNDİRİ KONTROL BLOĞU, LEVYELİ (PİSTONLU POMPA & TİP B)	SLEW SWING RAM CONTROL BLOCK, LEVERS (PISTON PUMP & TYPE B)	
G060.00.01	JOYSTICK KUMANDA, SAĞ (OP)	REMOTE CONTROL VALVE, RIGHT (OP)	
G070.00.01	JOYSTICK KUMANDA, SOL (OP)	REMOTE CONTROL VALVE, LEFT (OP)	
G080.00.01	KALDIRICI SİLİNDİR, YÜKLEYİCİ, SAĞ	LIFT CYLINDER, LOADER, RH	
G100.00.01	KEPÇE SİLİNDİRİ, YÜKLEYİCİ, SAĞ	BUCKET CYLINDER, LOADER, RH	
G110.00.01	KEPÇE SİLİNDİRİ, YÜKLEYİCİ, SOL	BUCKET CYLINDER, LOADER, LH	
G120.00.01	AÇILIR KEPÇE SİLİNDİRİ	MULTIPURPOSE BUCKET CYLINDER	
G130.00.01	AYAK SİLİNDİRİ, SAĞ	STABILIZER CYLINDER, RH	

G - HİDROLİK KOMPONENTLER

G - HYDRAULIC COMPONENTS

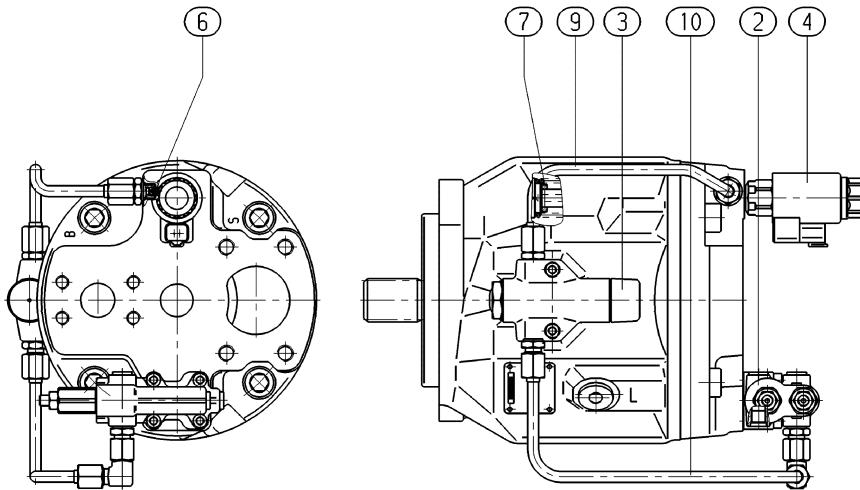
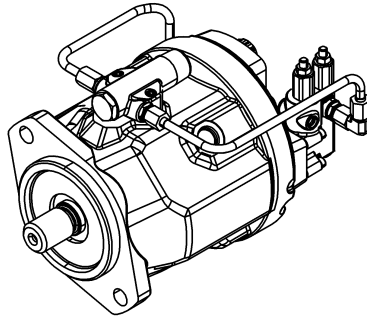
Sayfa No / Page No	Sayfa Adı	Page Name	Revizyon / Revision
G130.01.01	AYAK SİLİNDİRİ, SAĞ (KAZ AYAK)	STABILIZER CYLINDER, RH (WING TYPE)	
G140.00.01	AYAK SİLİNDİRİ, SOL	STABILIZER CYLINDER, LH	
G140.01.01	AYAK SİLİNDİRİ, SOL (KAZ AYAK)	STABILIZER CYLINDER, LH (WING TYPE)	
G150.00.01	DÖNÜŞ SİLİNDİRİ	SWING CYLINDER	
G160.00.01	BOM SİLİNDİRİ, KAZICI	BOOM CYLINDER, BACKHOE	
G170.00.01	ARM SİLİNDİRİ, KAZICI	ARM CYLINDER, BACKHOE	
G180.00.01	KEPÇE SİLİNDİRİ, KAZICI	BUCKET CYLINDER, BACKHOE	
G180.01.01	KEPÇE SİLİNDİRİ, KAZICI, TELESKOPİK (OP)	BUCKET CYLINDER, BACKHOE, TELESCOPIC, (OP)	
G190.00.01	TELESKOPİK SİLİNDİR, KAZICI (OP)	TELESCOPIC CYLINDER, BACKHOE, (OP)	
G200.00.01	ÇABUK SÖK- TAK SİLİNDİRİ, KAZICI (OP)	QUICK COUPLER CYLINDER, BACKHOE (OP)	
G210.00.01	TESVİYE KÜREĞİ SİLİNDİRİ (OP)	LEVELLING BLADE CYLINDER, (OP)	
G220.00.01	TESVİYE KÜREĞİ SİLİNDİRİ (ÇİFT EKSENLİ) SAĞ (OP)	LEVELLING BLADE CYLINDER (DOUBLE AXIS) RH (OP)	
G220.00.02	TESVİYE KÜREĞİ SİLİNDİRİ (ÇİFT EKSENLİ) SOL (OP)	LEVELLING BLADE CYLINDER (DOUBLE AXIS) LH (OP)	
G220.00.03	TESVİYE KÜREĞİ SİLİNDİRİ (ÇİFT EKSENLİ) MERKEZ (OP)	LEVELLING BLADE CYLINDER (DOUBLE AXIS) CENTER (OP)	
G230.00.01	TOMRUK YÜKLEYİCİ SİLİNDİRİ (OP)	LOG GRAPPLE CYLINDER (OP)	
G240.00.01	TOMRUK YÜKLEYİCİ SİLİNDİRİ (HAREKETLİ) (OP)	LOG GRAPPLE CYLINDER (WITH VERTICAL MOVEMENT) (OP)	
G250.00.01	DÖNERLİ KANAL KEPÇESİ SİLİNDİRİ (OP)	TILTING BUCKET CYLINDER (OP)	
G265.01.01	ARM SİLİNDİRİ, KAZICI	ARM CYLINDER, BACKHOE	
G265.02.01	ARM SİLİNDİRİ, KAZICI	ARM CYLINDER, BACKHOE	
G270.00.01	TABLA KAYDIRMA SİLİNDİRİ, DIŞ (OP)	POWER SLIDER CYLINDER, OUTER (OP)	
G270.00.02	TABLA KAYDIRMA SİLİNDİRİ, İÇ (OP)	POWER SLIDER CYLINDER, INNER (OP)	
G280.00.01	ÇEKİCİ KANCA SİLİNDİRİ	TOW HOOK CYLINDER	
G290.00.01	PILOT BESLEME BLOĞU (ORANSAL VALFLİ)	PILOT SUPPLY BLOCK (WITH PROPORTIONAL VALVE)	
G300.00.01	SARSINTISIZ YÜRÜYÜŞ VALFİ, MSS	MSS, VALVE	
G310.00.01	VALF, KUMANDA DEĞİŞTİRİCİ	VALVE, PATTERN SHIFTER	

**DİŞLİ POMPA
GEAR PUMP**

**DİŞLİ POMPA
GEAR PUMP**

No	Parça No	Parça Adı	Adet	S.K.	Bas.S.N	Bit.S.N	Y.K.	Not
No	Part no	Description	Qty	SC	S/N from	S/N to	ICA	Note
0	F1473114	POMPA, DİŞLİ (41/26 cc/dev)	1					
1	S0990061	KEÇE TAKIMI	1	(K1)				
2	S0990016	TAMİR TAKIMI	1	(K2)				

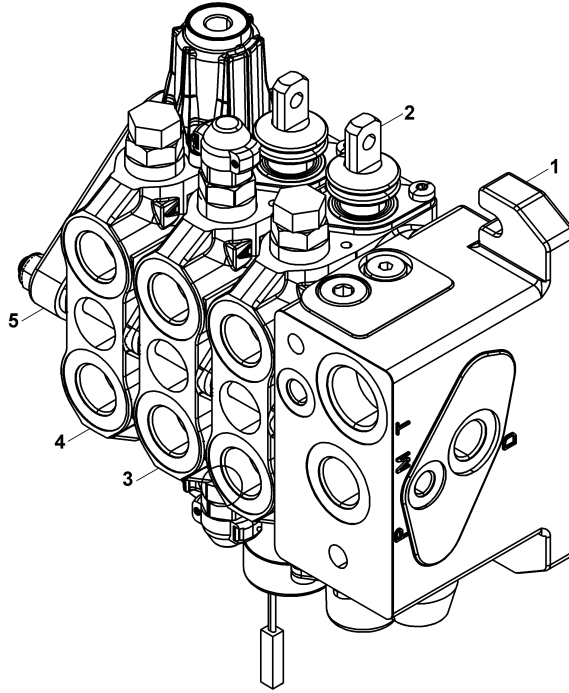
**PİSTONLU POMPA
PISTON PUMP**



**PİSTONLU POMPA
PISTON PUMP**

No	Parça No	Parça Adı	Adet	S.K.	Bas.S.N	Bit.S.N	Y.K.	Not
No	Part no	Description	Qty	SC	S/N from	S/N to	ICA	Note
0	F1442784	POMPA	1					
2	S1442126	KONTROL VALFİ, POMPA	1					
2	S1441192	KONTROL VALFİ, POMPA	1					
2	S1441193	CONTA	1					
2	S1441177	CIVATA	4					
2	S1441172	CIVATA	2					
3	S1442125	KONTROL VALFİ, POMPA	1					
4	S1441191	SOLENOİD VALF	1					
6	S1441195	KISICI	1					
7	S1441197	O-RING	1					
9	S1442111	BORU KOMPLESİ	1					
10	S1442112	BORU KOMPLESİ	1					
1-1	S1442156	POMPA GÖVDESİ	1					
1-2	S1441188	EĞİK PLAKA	1					
1-3	S1441187	TAHRİK MİLİ	1					
1-4	S1441181	ŞİM	1					
1-5	S1442135	RULMAN	1					
1-6	S1442138	RULMAN	1					
1-7	S1442145	KIZAK KABUĞU	2					
1-8	S1441173	KEÇE, ŞAFT	1					
1-9	S1441150	O-RING	1					
1-10	S1441151	O-RING	4					
1-11	S1441182	SEGMAN	1					
1-12	S1441163	CIVATA	4					
1-13	S1441152	VİDA, KİLİTLİ	1					
1-14	S1442130	PİM,ÇİFT YARIKLI	1					
1-15	S1441166	PİM	1					
1-16	S1442111	BORU KOMPLESİ	1					
1-17	S1441189	PİSTON KOMPLESİ	1					
1-18	S1442115	PISTON	9					
1-19	S1442110	SİLİNDİR	1					
1-20	S1442120	ÇELİK BİLYE	1					
1-21	S1441167	YAY	1					
1-22	S1442105	PİM, BASINC	3					
1-23	S1441180	HALKA	1					
1-24	S1441168	DESTEK PLAKASI	1					
1-25	S1442152	PİSTON, KONTROL	1					
1-26	S1442153	PİSTON	1					
1-27	S1442149	PİSTON	1					
1-28	S1442141	PİSTON	1					
1-29	S1441175	YAY	1					

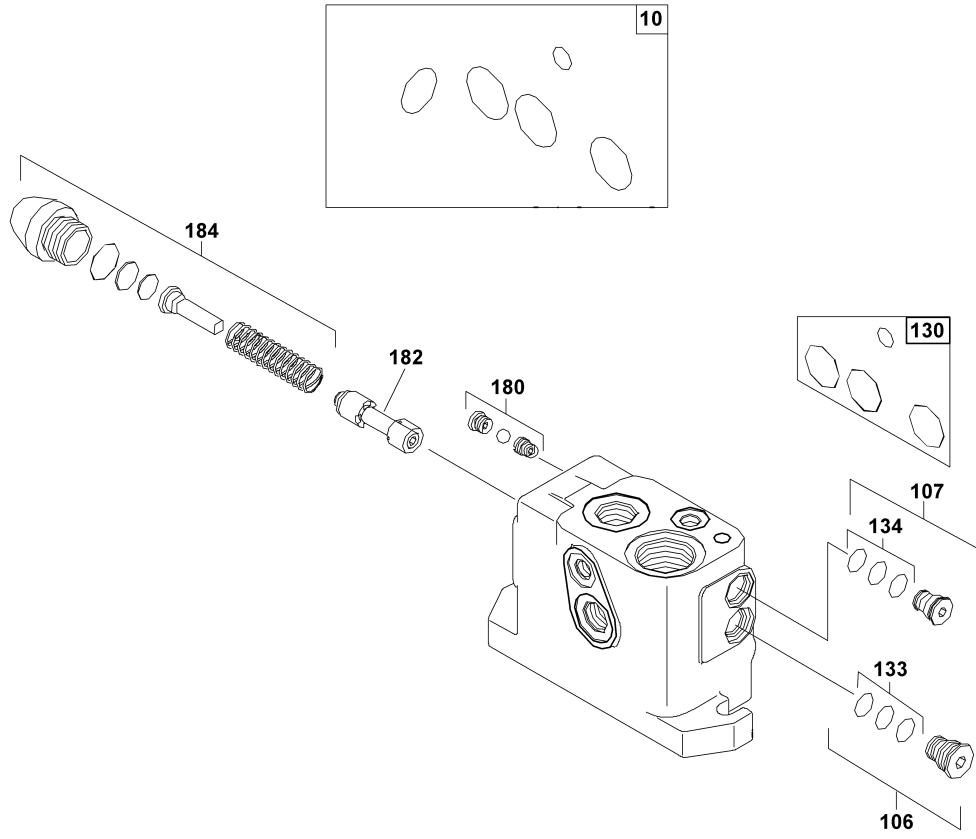
YÜKLEYİCİ KUMANDA VALFİ (SABİT KEPÇE, LS-TİP B)
LOADER CONTROL VALVE (GP BUCKET, LS-TYPE B)



**YÜKLEYİCİ KUMANDA VALFİ (SABİT KEPÇE, LS-TİP B)
LOADER CONTROL VALVE (GP BUCKET, LS-TYPE B)**

No	Parça No	Parça Adı	Description	Adet	S.K.	Bas.S.N	Bit.S.N	Y.K.	Not
No	Part no			Qty	SC	S/N from	S/N to	ICA	Note
0	F1824001	ÖN KUMANDA VALF BLOĞU	CONTROL VALVE BLOCK, LOADER	1					
1	S1824115	ÇIKIŞ DİLİMİ, YÜKLEYİCİ KUMANDA VALFİ	LOADER CONTROL VALVE-OUTLET BLOCK	1					G030.01.06
2	S1824141	GİRİŞ DİLİMİ	LOADER CONTROL VALVE-INLET BLOCK	1					G030.01.02
3	S1824164	KALDIRICI SİLİNDİR, KONTROL BLOĞU	LIFT CYLINDER CONTROL BLOCK	1					G030.01.03
4	S1824142	DEVİRİCİ SİLİNDİR DİLİMİ	SHOVEL RAM CONTROL BL.	1					G030.01.04
5	S1824135	AÇILIR KEPÇE DİLİMİ, YÜKLEYİCİ VALFİ	CLAMSHOVEL RAM CONTROL BLOCK	1					G030.01.05

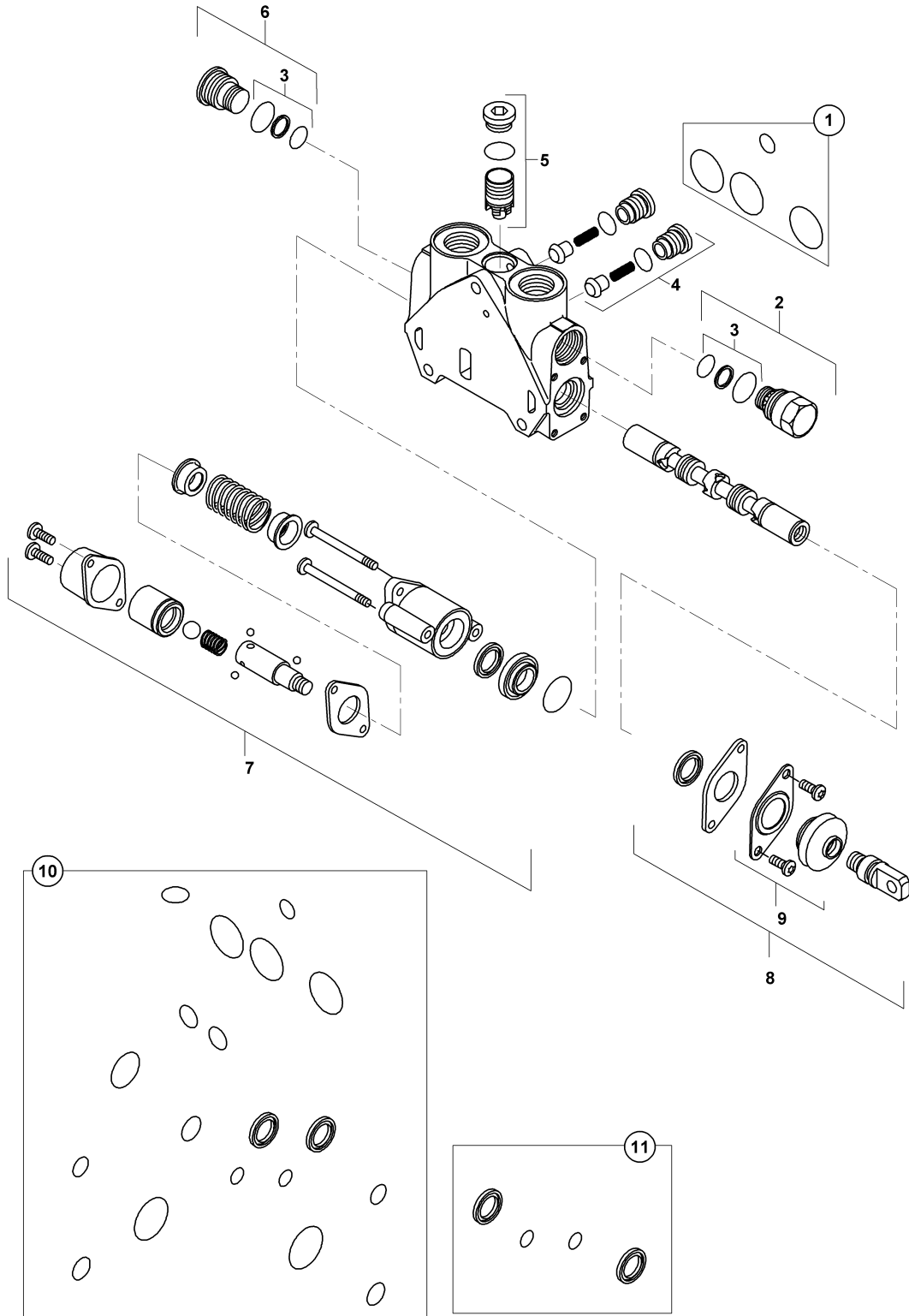
YÜKLEYİCİ KUMANDA VALFİ- GİRİŞ BLOĞU (TİP B)
LOADER CONTROL VALVE-INLET BLOCK (TYPE B)



**YÜKLEYİCİ KUMANDA VALFİ- GİRİŞ BLOĞU (TİP B)
LOADER CONTROL VALVE-INLET BLOCK (TYPE B)**

No	Parça No	Parça Adı	Adet	S.K.	Bas.S.N	Bit.S.N	Y.K.	Not
No	Part no	Description	Qty	SC	S/N from	S/N to	ICA	Note
0	S1824141	GİRİŞ DİLİMİ	1					
106	S1824123	TAPA	1					
107	S1824121	TAPA	1					
180	S1824119	KİT, MEKİK VALFİ	1					
182	S1824180	KİT, CD PİSTONU	1					
184	S1824116	KİT, TAPA	1					
10	S1824085	KEÇE TAKIMI	1					
130	S1824114	KEÇE TAKIMI	1					
133	S1824175	KEÇE TAKIMI	1					
134	S1824176	KEÇE TAKIMI	1					

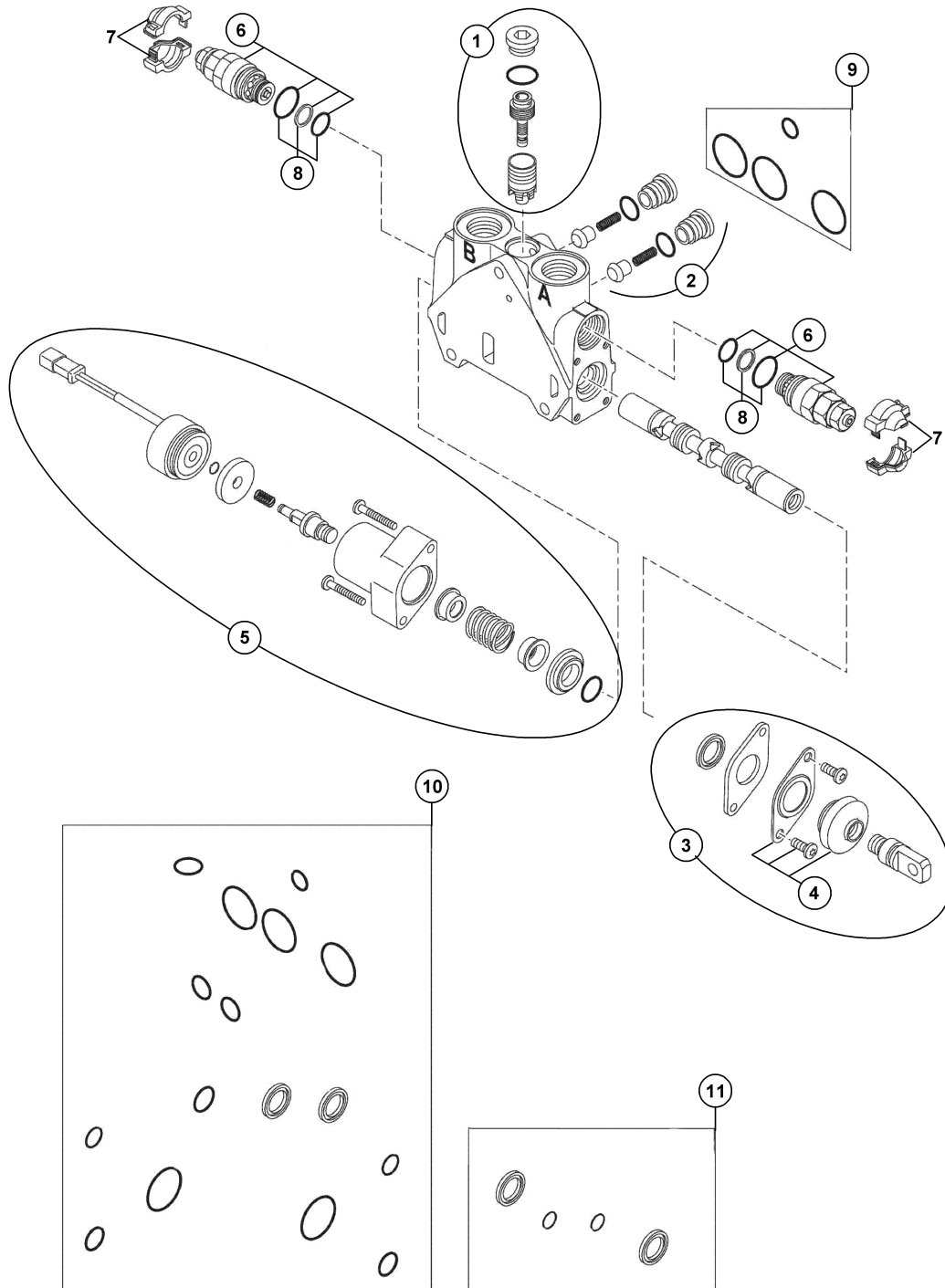
YÜKLEYİCİ KUMANDA VALFİ- KALDIRICI SİLİNDİR, KONTROL BLOĞU (TİP B)
LOADER CONTROL VALVE- LIFT CYLINDER CONTROL BLOCK (TYPE B)



**YÜKLEYİCİ KUMANDA VALFİ- KALDIRICI SİLİNDİR, KONTROL BLOĞU (TİP B)
LOADER CONTROL VALVE- LIFT CYLINDER CONTROL BLOCK (TYPE B)**

No	Parça No	Parça Adı	Description	Adet	S.K.	Bas.S.N	Bit.S.N	Y.K.	Not
No	Part no			Qty	SC	S/N from	S/N to	ICA	Note
0	S1824164	KALDIRICI SİLİNDİR, KONTROL BLOĞU	LIFT CYLINDER CONTROL BLOCK	1					
1	S1824114	KEÇE TAKIMI	SEAL KIT	1					
2	S1824104	ÇEK VALF, ANTİKAVİTASYON	ANTI-CAVITATION VALVE	1					
3	S1824166	KEÇE TAKIMI	SEAL KIT	2					
4	S1824127	ÇEK VALF TAKIMI	CHECK VALVE KIT	1					
5	S1824128	KİT,BASINÇ KOMPENSATORU	PRESSURE COMPENSATOR KIT	1					
6	S1824102	TAPA	PLUG	1					
7	S1824110	KİT, KUMANDA	PISTON CENTERING OPERATION KIT	1					
8	S1824122	KİT, MEKANİK KUMANDA	MECHANIC OPERATION KIT	1					
9	S1824109	KÖRÜK KOMPLESİ	BOOT ASS'Y	1					
10	S1824108	TAMİR TAKIMI	ASSEMBLY SEAL KIT	1					
11	S1824129	TAMİR TAKIMI	ASSEMBLY SEAL KIT	1					

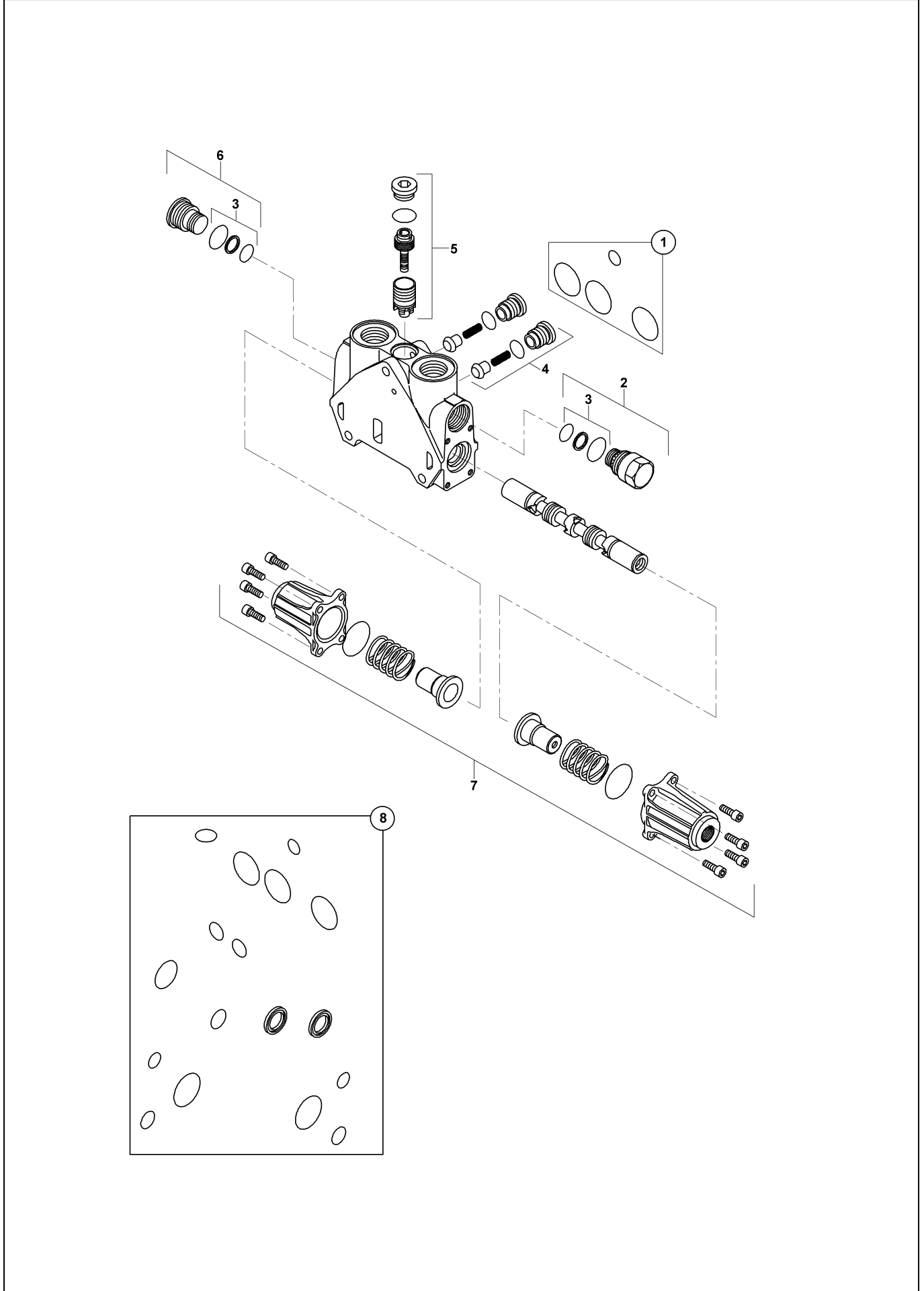
YÜKLEYİCİ KUMANDA VALFİ- ARM SİLİNDİR KONTROL, BLOĞU (TİP B)
LOADER CONTROL VALVE- ARM CYLINDER CONTROL BLOCK (TYPE B)



**YÜKLEYİCİ KUMANDA VALFİ- ARM SİLİNDİR KONTROL, BLOĞU (TİP B)
LOADER CONTROL VALVE- ARM CYLINDER CONTROL BLOCK (TYPE B)**

No	Parça No	Parça Adı	Description	Adet	S.K.	Bas.S.N	Bit.S.N	Y.K.	Not
No	Part no			Qty	SC	S/N from	S/N to	ICA	Note
0	S1824142	DEVİRİCİ SİLİNDİR DİLİMİ	SHOVEL RAM CONTROL BL.	1					
1	S1824111	KİT, BASINÇ KOMPANSATÖRÜ	PRESSURE COMPENSATOR KIT	1					
2	S1824112	ÇEK VALF TAKIMI	CHECK VALVE KIT	1					
3	S1824122	KİT, MEKANİK KUMANDA	MECHANIC OPERATION KIT	1					
4	S1824109	KÖRÜK KOMPLESİ	BOOT ASS'Y	1					
5	S1824107	KİT, ELEKTRİKLİ MANDAL	OPERATION KIT	2					
6	S1824125	EMNİYET VALFİ	RELIEF VALVE	2					
7	S1824080	KAPAK	HALF COVER	2					
8	S1824166	KEÇE TAKIMI	SEAL KIT	1					
9	S1824114	KEÇE TAKIMI	SEAL KIT	1					
10	S1824132	KEÇE TAKIMI	SEAL KIT	1					
11	S1824133	KEÇE TAKIMI	SEAL KIT	1					

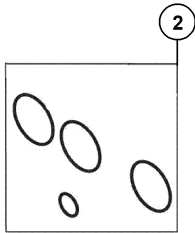
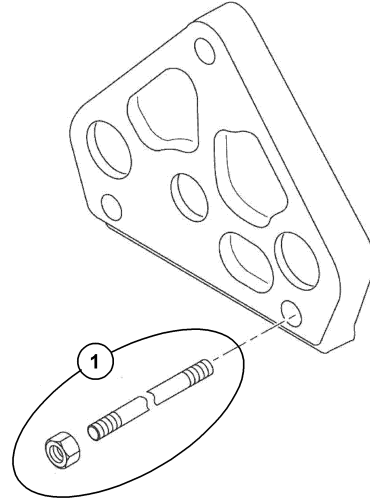
YÜKLEYİCİ KUMANDA VALFİ- AÇILIR KEPÇE SİLİNDİRİ, KONTROL BLOĞU(TİP B)
LOADER CONTROL VALVE- CLAMSHOVEL RAM CONTROL BLOCK (TYPE B)



**YÜKLEYİCİ KUMANDA VALFİ- AÇILIR KEPÇE SİLİNDİRİ, KONTROL BLOĞU(TİP B)
LOADER CONTROL VALVE- CLAMSHOVEL RAM CONTROL BLOCK (TYPE B)**

No	Parça No	Parça Adı	Adet	S.K.	Bas.S.N	Bit.S.N	Y.K.	Not
No	Part no	Description	Qty	SC	S/N from	S/N to	ICA	Note
0	S1824135	AÇILIR KEPÇE DİLİMİ, YÜKLEYİCİ VALFİ	1					
1	S1824114	KEÇE TAKIMI	1					
2	S1824104	ÇEK VALF, ANTİKAVİTASYON	1					
3	S1824166	KEÇE TAKIMI	2					
4	S1824127	ÇEK VALF TAKIMI	1					
5	S1824111	KİT, BASINÇ KOMPANSATÖRÜ	1					
6	S1824102	TAPA	1					
7	S1824189	KUMANDA DİLİMİ SÜRGÜ KİTİ	1					
8	S1824103	KEÇE KİTİ,VALF	1					

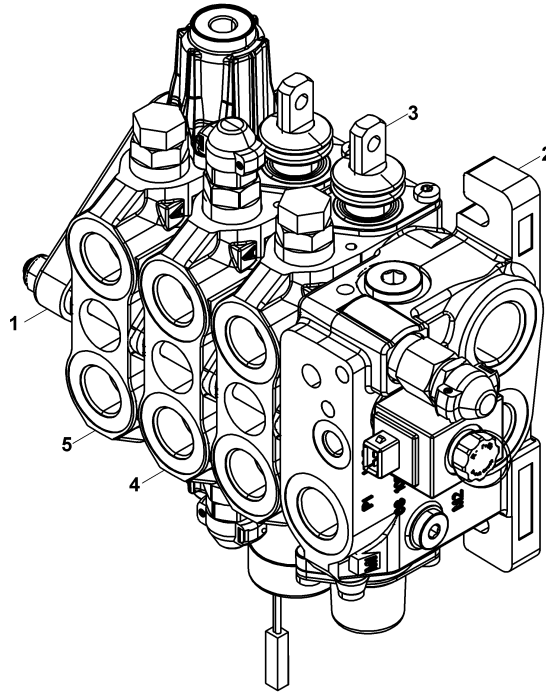
YÜKLEYİCİ KUMANDA VALFİ- ÇIKIŞ BLOĞU (TİP B)
LOADER CONTROL VALVE- OUTLET BLOCK (TYPE B)



YÜKLEYİCİ KUMANDA VALFİ- ÇIKIŞ BLOĞU (TİP B)
LOADER CONTROL VALVE- OUTLET BLOCK (TYPE B)

No	Parça No	Parça Adı	Adet	S.K.	Bas.S.N	Bit.S.N	Y.K.	Not
No	Part no	Description	Qty	SC	S/N from	S/N to	ICA	Note
0	S1824115	ÇIKIŞ DİLİMİ, YÜKLEYİCİ KUMANDA VALFİ	1					
1	S1824113	KİT, DIŞ BAĞLANTI	3					
2	S1824114	KEÇE TAKIMI	1					

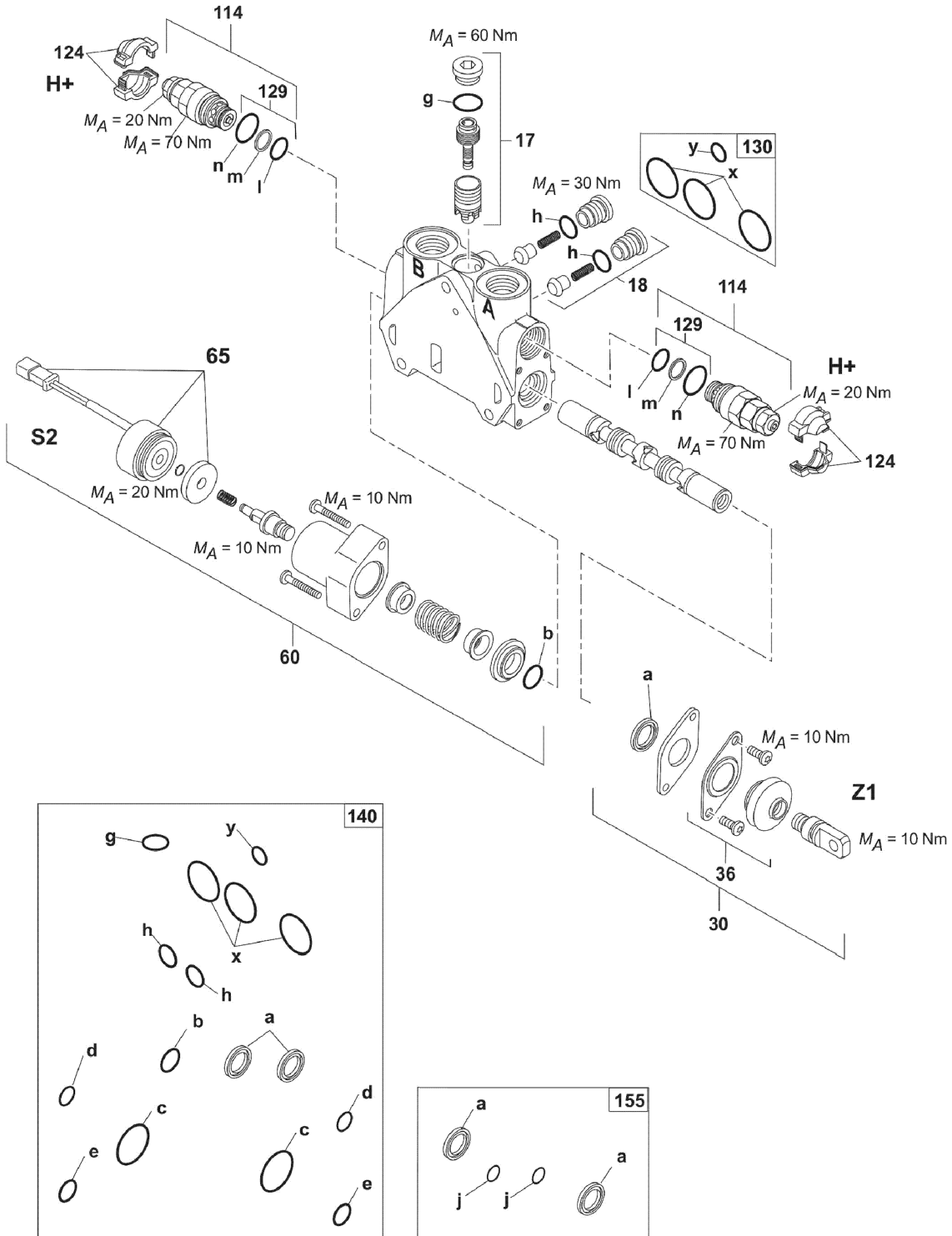
YÜKLEYİCİ KUMANDA VALFİ, SABİT KEPÇE (PB-TİP B)
LOADER CONTROL VALVE, MECHANIC (PB-TYPE B)



YÜKLEYİCİ KUMANDA VALFİ, SABİT KEPÇE (PB-TİP B)
LOADER CONTROL VALVE, MECHANIC (PB-TYPE B)

No	Parça No	Parça Adı	Description	Adet	S.K.	Bas.S.N	Bit.S.N	Y.K.	Not
No	Part no			Qty	SC	S/N from	S/N to	ICA	Note
0	F1824011	ÖN KUMANDA VALFİ	LOADER CONTROL VALVE	1					
1	S1824115	ÇIKIŞ DİLİMİ, YÜKLEYİCİ KUMANDA VALFİ	LOADER CONTROL VALVE-OUTLET BLOCK	1					G030.02.03
2	S1824163	GİRİŞ DİLİMİ, YÜKLEYİCİ KUMANDA VALFİ	LOADER CONTROL VALVE-INLET BLOCK	1					G030.02.04
3	S1824164	KALDIRICI SİLİNDİR, KONTROL BLOĞU	LIFT CYLINDER CONTROL BLOCK	1					G030.02.05
4	S1824142	DEVİRİCİ SİLİNDİR DİLİMİ	SHOVEL RAM CONTROL BL.	1					G030.02.02
5	S1824135	AÇILIR KEPÇE DİLİMİ, YÜKLEYİCİ VALFİ	CLAMSHOVEL RAM CONTROL BLOCK	1					G030.02.06

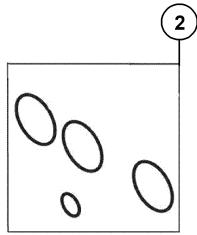
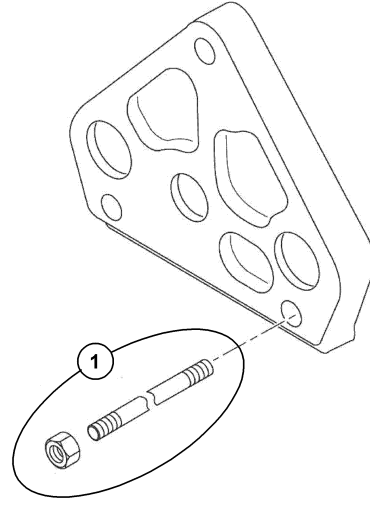
YÜKLEYİCİ KUMANDA VALFİ- ARM SİLİNDİR KONTROL, BLOĞU (TİP B) LOADER CONTROL VALVE- ARM CYLINDER CONTROL BLOCK (TYPE B)



**YÜKLEYİCİ KUMANDA VALFİ- ARM SİLİNDİR KONTROL, BLOĞU (TİP B)
LOADER CONTROL VALVE- ARM CYLINDER CONTROL BLOCK (TYPE B)**

No	Parça No	Parça Adı		Adet	S.K.	Bas.S.N	Bit.S.N	Y.K.	Not
No	Part no		Description	Qty	SC	S/N from	S/N to	ICA	Note
0	S1824142	DEVİRİCİ SİLİNDİR DİLİMİ	SHOVEL RAM CONTROL BL.	1					
17	S1824111	KİT, BASINÇ KOMPANSATÖRÜ	PRESSURE COMPENSATOR KIT	1					
18	S1824127	ÇEK VALF TAKIMI	CHECK VALVE KIT	1					
30	S1824122	KİT, MEKANİK KUMANDA	MECHANIC OPERATION KIT	1					
36	S1824109	KÖRÜK KOMPLESİ	BOOT ASS'Y	1					
60	S1824107	KİT, ELEKTRİKLİ MANDAL	OPERATION KIT	2					
114	S1824125	EMNİYET VALFİ	RELIEF VALVE	2					
124	S1824080	KAPAK	HALF COVER	2					
129	S1824166	KEÇE TAKIMI	SEAL KIT	1					
130	S1824114	KEÇE TAKIMI	SEAL KIT	1					
140	S1824103	KEÇE KİTİ,VALF	NBR ASSEMBLY SEAL KIT	1					
155	S1824129	TAMİR TAKIMI	ASSEMBLY SEAL KIT	1					

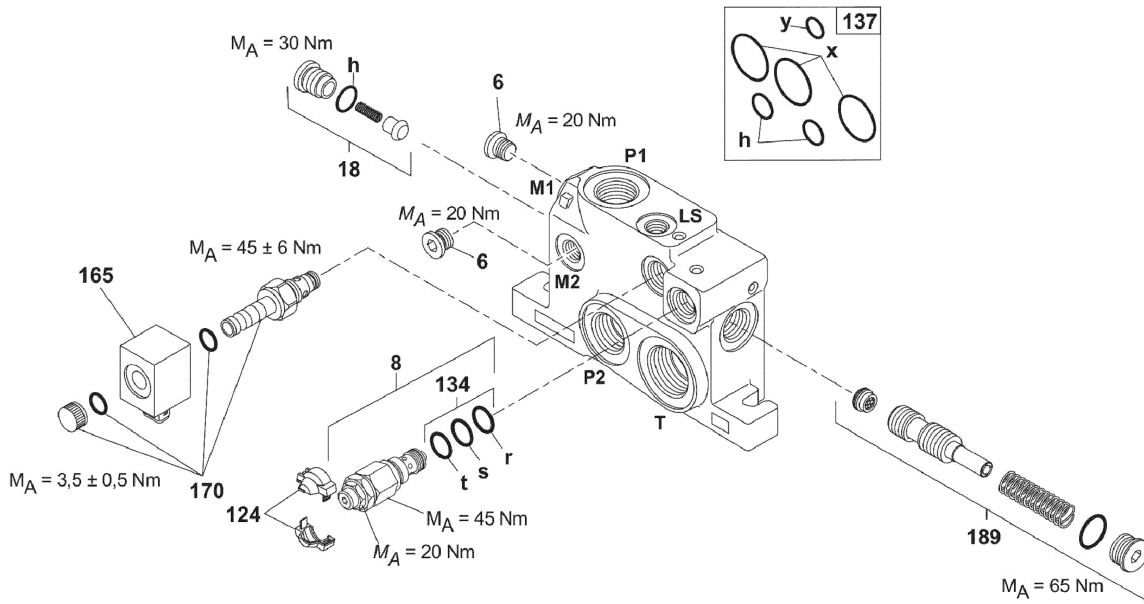
YÜKLEYİCİ KUMANDA VALFİ- ÇIKIŞ BLOĞU (TİP B)
LOADER CONTROL VALVE- OUTLET BLOCK (TYPE B)



YÜKLEYİCİ KUMANDA VALFİ- ÇIKIŞ BLOĞU (TİP B)
LOADER CONTROL VALVE- OUTLET BLOCK (TYPE B)

No	Parça No	Parça Adı	Adet	S.K.	Bas.S.N	Bit.S.N	Y.K.	Not
No	Part no	Description	Qty	SC	S/N from	S/N to	ICA	Note
0	S1824115	ÇIKIŞ DİLİMİ, YÜKLEYİCİ KUMANDA VALFİ	1					
1	S1824113	KİT, DIŞ BAĞLANTI	3					
2	S1824114	KEÇE TAKIMI	1					

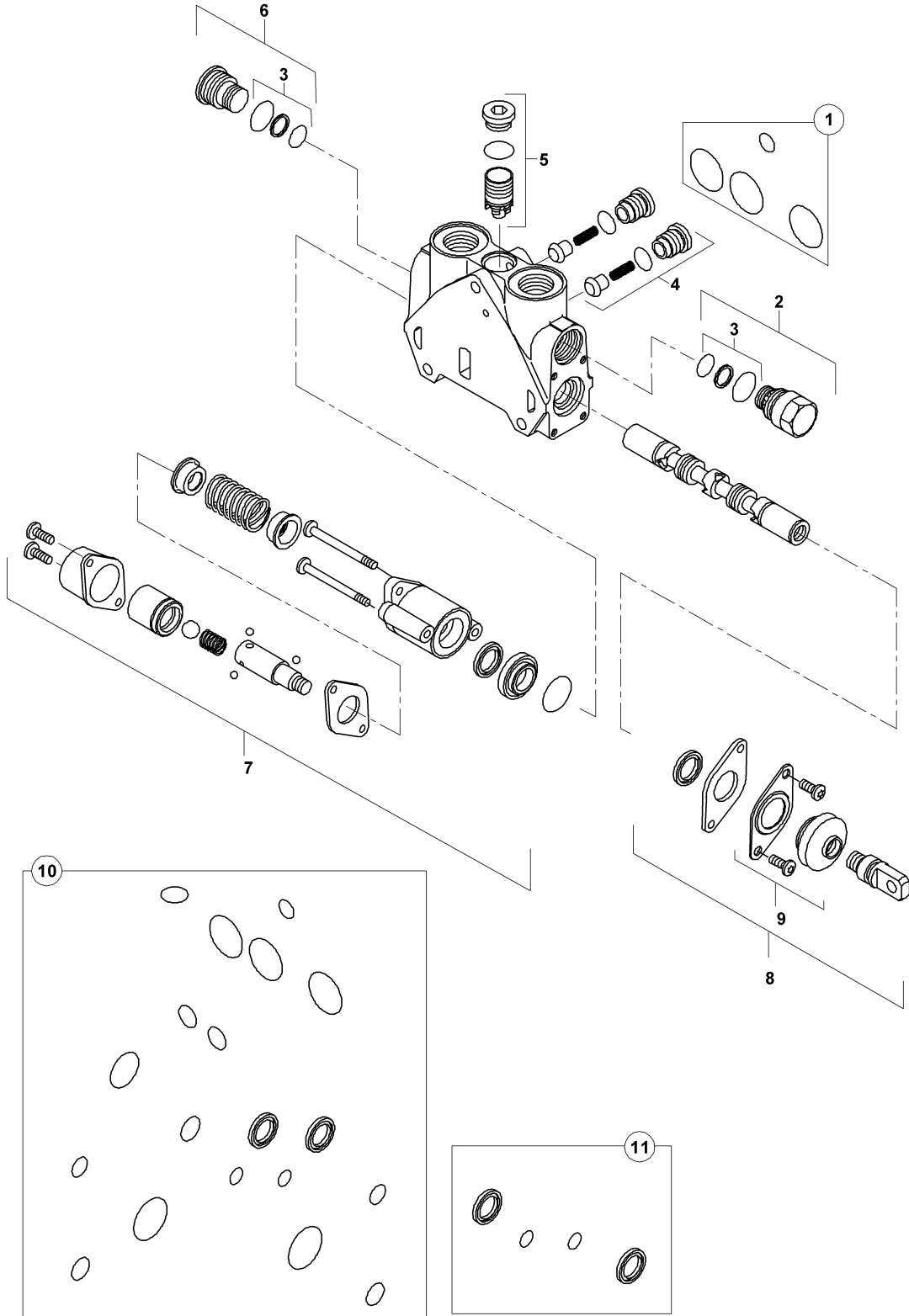
YÜKLEYİCİ KUMANDA VALFİ- GİRİŞ BLOĞU (TİP B-PB)
LOADER CONTROL VALVE-INLET BLOCK (TYPE B-PB)



**YÜKLEYİCİ KUMANDA VALFİ- GİRİŞ BLOĞU (TİP B-PB)
LOADER CONTROL VALVE-INLET BLOCK (TYPE B-PB)**

No	Parça No	Parça Adı	Adet	S.K.	Bas.S.N	Bit.S.N	Y.K.	Not
No	Part no	Description	Qty	SC	S/N from	S/N to	ICA	Note
0	S1824163	GİRİŞ DİLİMİ, YÜKLEYİCİ KUMANDA VALFİ	1					
6	S1824070	TAPA	2					
8	S1824178	EMNİYET VALFİ	1					
18	S1824127	ÇEK VALF TAKIMI	1					
124	S1824080	KAPAK	1					
134	S1824176	KEÇE TAKIMI	1					
137	S1824134	KEÇE TAKIMI	1					
165	S1824196	SOLENOİD	1					14V
170	S1824183	KİT, 2 YOLLU VALF	1					
189	S1824138	YÜKSÜZLEŞTİRME VALFİ	1					

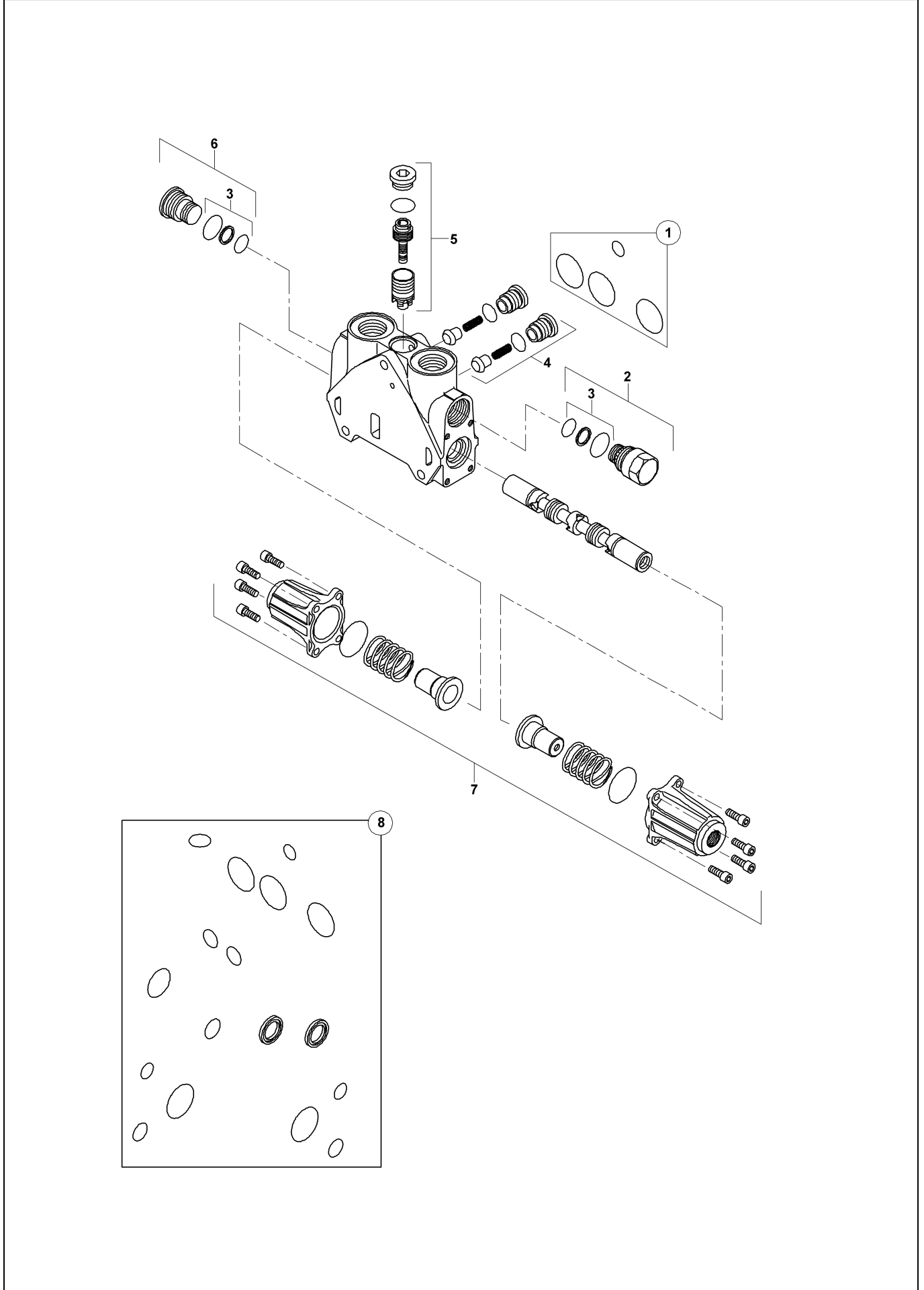
YÜKLEYİCİ KUMANDA VALFİ- KALDIRICI SİLİNDİR, KONTROL BLOĞU (TİP B)
LOADER CONTROL VALVE- LIFT CYLINDER CONTROL BLOCK (TYPE B)



**YÜKLEYİCİ KUMANDA VALFİ- KALDIRICI SİLİNDİR, KONTROL BLOĞU (TİP B)
LOADER CONTROL VALVE- LIFT CYLINDER CONTROL BLOCK (TYPE B)**

No	Parça No	Parça Adı	Description	Adet	S.K.	Bas.S.N	Bit.S.N	Y.K.	Not
No	Part no			Qty	SC	S/N from	S/N to	ICA	Note
0	S1824164	KALDIRICI SİLİNDİR, KONTROL BLOĞU	LIFT CYLINDER CONTROL BLOCK	1					
1	S1824114	KEÇE TAKIMI	SEAL KIT	1					
2	S1824104	ÇEK VALF, ANTİKAVİTASYON	ANTI-CAVITATION VALVE	1					
3	S1824166	KEÇE TAKIMI	SEAL KIT	2					
4	S1824127	ÇEK VALF TAKIMI	CHECK VALVE KIT	1					
5	S1824128	KİT,BASINÇ KOMPENSATORU	PRESSURE COMPENSATOR KIT	1					
6	S1824102	TAPA	PLUG	1					
7	S1824110	KİT, KUMANDA	PISTON CENTERING OPERATION KIT	1					
8	S1824122	KİT, MEKANİK KUMANDA	MECHANIC OPERATION KIT	1					
9	S1824109	KÖRÜK KOMPLESİ	BOOT ASS'Y	1					
10	S1824108	TAMİR TAKIMI	ASSEMBLY SEAL KIT	1					
11	S1824129	TAMİR TAKIMI	ASSEMBLY SEAL KIT	1					

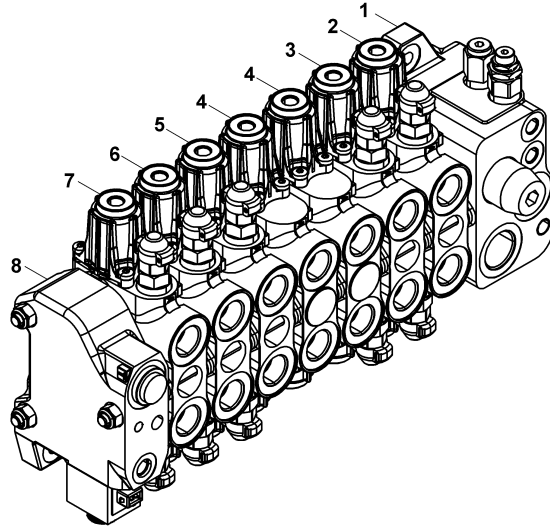
YÜKLEYİCİ KUMANDA VALFİ- AÇILIR KEPÇE SİLİNDİRİ, KONTROL BLOĞU(TİP B)
LOADER CONTROL VALVE- CLAMSHOVEL RAM CONTROL BLOCK (TYPE B)



**YÜKLEYİCİ KUMANDA VALFİ- AÇILIR KEPÇE SİLİNDİRİ, KONTROL BLOĞU(TİP B)
LOADER CONTROL VALVE- CLAMSHOVEL RAM CONTROL BLOCK (TYPE B)**

No	Parça No	Parça Adı	Adet	S.K.	Bas.S.N	Bit.S.N	Y.K.	Not
No	Part no	Description	Qty	SC	S/N from	S/N to	ICA	Note
0	S1824135	AÇILIR KEPÇE DİLİMİ, YÜKLEYİCİ VALFİ	1					
1	S1824114	KEÇE TAKIMI	1					
2	S1824104	ÇEK VALF, ANTİKAVİTASYON	1					
3	S1824166	KEÇE TAKIMI	2					
4	S1824127	ÇEK VALF TAKIMI	1					
5	S1824111	KİT, BASINÇ KOMPANSATÖRÜ	1					
6	S1824102	TAPA	1					
7	S1824189	KUMANDA DİLİMİ SÜRGÜ KİTİ	1					
8	S1824103	KEÇE KİTİ,VALF	1					

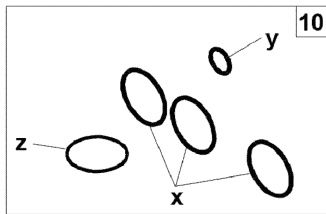
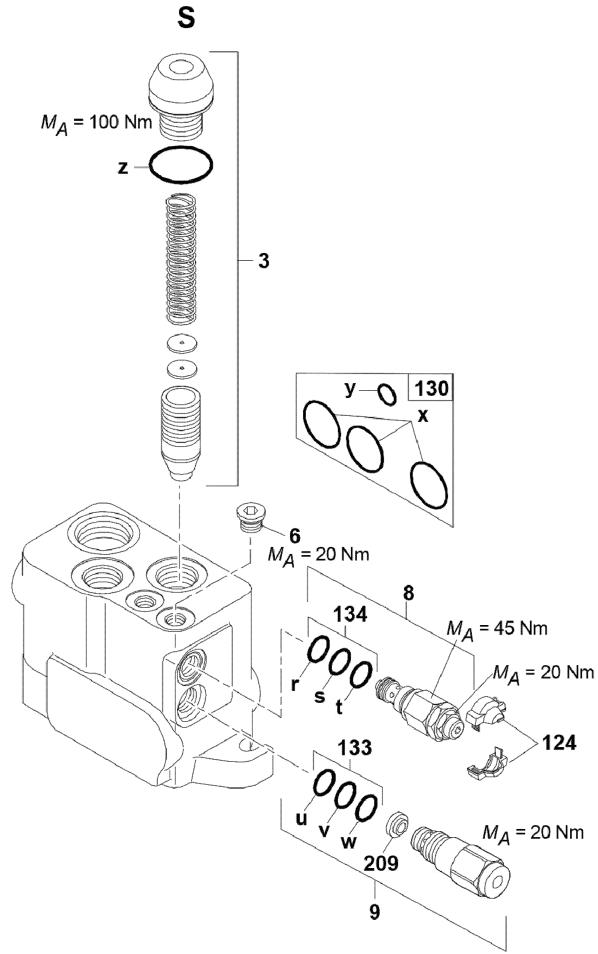
KAZICI KUMANDA VALFİ, JOYSTICK (PİSTONLU POMPA & TİP B, FS)
BACKHOE CONTROL VALVE, JOYSTICK (PISTON PUMP & TYPE B, FS)



**KAZICI KUMANDA VALFİ, JOYSTICK (PİSTONLU POMPA & TİP B, FS)
BACKHOE CONTROL VALVE, JOYSTICK (PISTON PUMP & TYPE B, FS)**

No	Parça No	Parça Adı	Description	Adet	S.K.	Bas.S.N	Bit.S.N	Y.K.	Not
No	Part no			Qty	SC	S/N from	S/N to	ICA	Note
0	F1824200	VALF	VALVE	1					
1	S1824144	KAZICI KUMANDA VALFİ- GİRİŞ BLOĞU	BACKHOE CONTROL VALVE-INLET BLOCK	1					G040.02.02
2	S1824145	ARM- BOM-TELESKOPIK KONTROL BLOĞU	ARM-BOOM-TELESCOPIC CONTROL BLOCKS	1					G040.02.04
3	S1824146	DÖNÜŞ SİLİNDİRİ KONTROL BLOĞU	SLEW SWING RAM CONTROL BLOCK	1					G040.02.05
4	S1824147	AYAK SİLİNDİR DİLİMİ, KAZICI VALFİ	STABILISER RAM CONTROL BLOCK	2					G040.02.06
5	S1824148	KEPÇE SİLİNDİRİ DİLİMİ, KAZICI VALFİ	BUCKET RAM CONTROL BLOCK	1					G040.02.07
6	S1824149	ARM- BOM-TELESKOPIK KONTROL BLOĞU	ARM-BOOM-TELESCOPIC CONTROL BLOCKS	1					G040.02.08
7	S1824162	ARM- BOM-TELESKOPIK KONTROL BLOĞU	ARM-BOOM-TELESCOPIC CONTROL BLOCKS	1					G040.02.09
8	S1824124	ÇIKIŞ BLOĞU, KAZICI KUMANDA VALFİ	OUTLET BLOCK, BACKHOE VALVE	1					G040.02.03

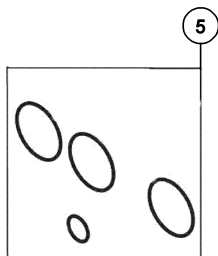
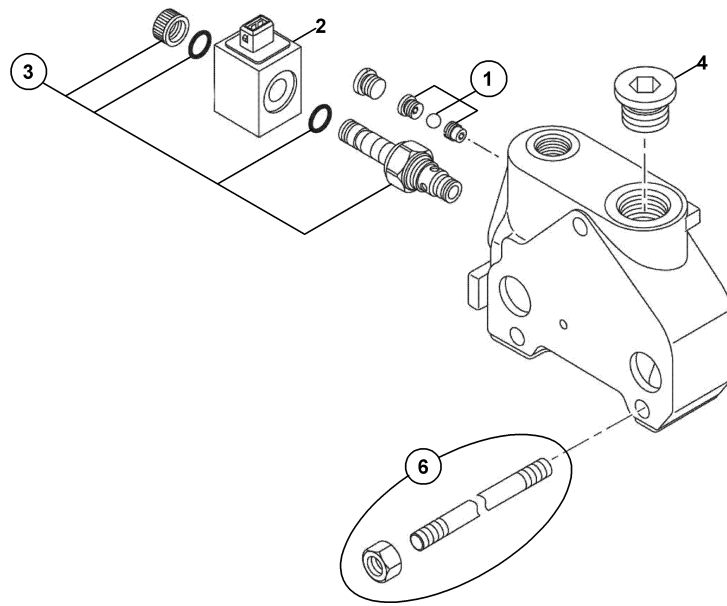
KAZICI KUMANDA VALFİ- GİRİŞ BLOĞU (TİP B) BACKHOE CONTROL VALVE-INLET BLOCK (TYPE B)



KAZICI KUMANDA VALFİ- GİRİŞ BLOĞU (TİP B)
BACKHOE CONTROL VALVE-INLET BLOCK (TYPE B)

No	Parça No	Parça Adı	Adet	S.K.	Bas.S.N	Bit.S.N	Y.K.	Not
No	Part no	Description	Qty	SC	S/N from	S/N to	ICA	Note
0	S1824144	KAZICI KUMANDA VALFİ- GİRİŞ BLOĞU	1					
3	S1824161	AYAR KİTİ	1					
6	S1824070	TAPA	1					
8	S1824178	EMNİYET VALFİ	1					
9	S1824179	REGÜLATÖR KOMPLESİ, POMPA	1					
10	S1824085	KEÇE TAKIMI	1					
124	S1824080	KAPAK	1					
130	S1824114	KEÇE TAKIMI	1					
133	S1824175	KEÇE TAKIMI	1					
134	S1824176	KEÇE TAKIMI	1					
209	S1824177	FİLTRE	1					

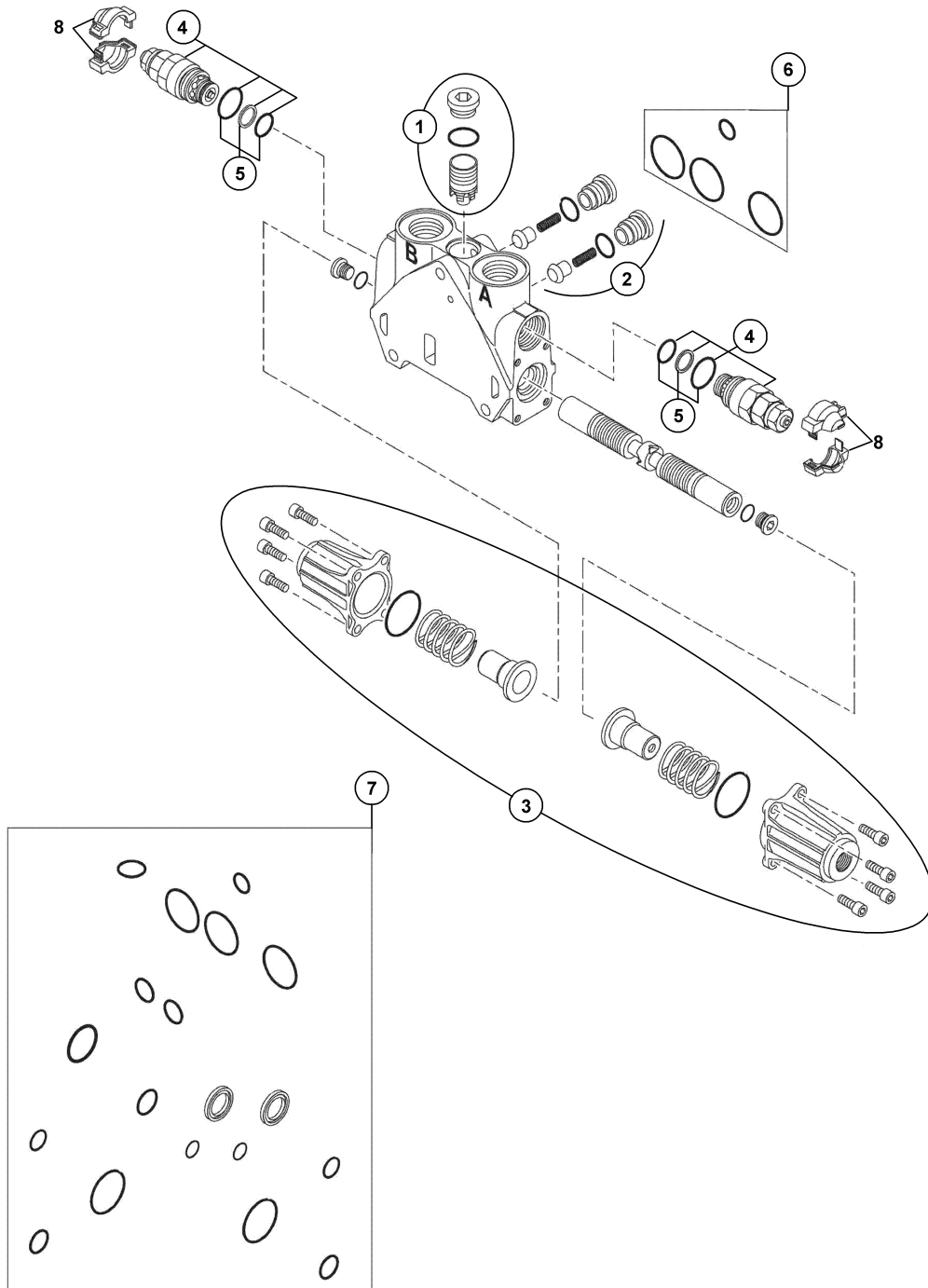
KAZICI KUMANDA VALFİ- ÇIKIŞ BLOĞU (TİP B)
BACKHOE CONTROL VALVE -OUTLET BLOCK (TYPE B)



KAZICI KUMANDA VALFİ- ÇIKIŞ BLOĞU (TİP B)
BACKHOE CONTROL VALVE -OUTLET BLOCK (TYPE B)

No	Parça No	Parça Adı	Description	Adet	S.K.	Bas.S.N	Bit.S.N	Y.K.	Not
No	Part no			Qty	SC	S/N from	S/N to	ICA	Note
0	S1824124	ÇIKIŞ BLOĞU, KAZICI KUMANDA VALFİ	OUTLET BLOCK, BACKHOE VALVE	1					
1	S1824186	KISICI TAKIMI	SHUTTLE THROTTLE KIT	1					
2	S1824184	BOBİN	COLIL, SOLENOID	1					
3	S1824183	KİT, 2 YOLLU VALF	2 WAYS VALVE KIT	1					
4	S1824060	TAPA	OUTLET PLUG	1					
5	S1824114	KEÇE TAKIMI	SEAL KIT	1					
6	S1824181	ÇEK VALF TAKIMI	TIE ROD	3					

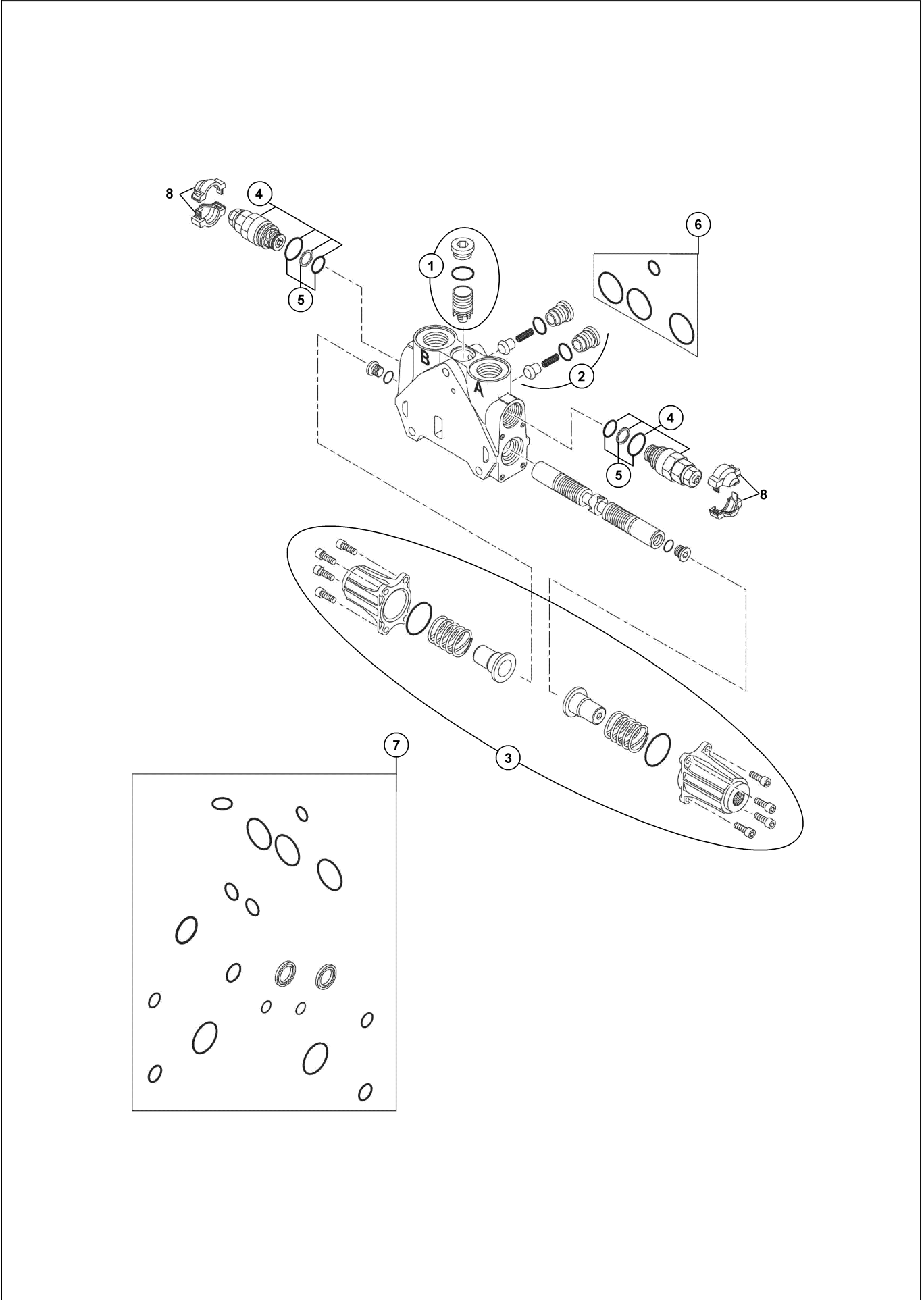
KAZICI KUMANDA VALFİ ARM KONTROL BLOĞU, JOYSTICK (TİP B)
BACKHOE CONTROL VALVE ARM CONTROL BLOCKS, JOYSTICK (TYPE B)



KAZICI KUMANDA VALFİ ARM KONTROL BLOĞU, JOYSTICK (TİP B)
BACKHOE CONTROL VALVE ARM CONTROL BLOCKS, JOYSTICK (TYPE B)

No	Parça No	Parça Adı	Adet	S.K.	Bas.S.N	Bit.S.N	Y.K.	Not
No	Part no	Description	Qty	SC	S/N from	S/N to	ICA	Note
0	S1824145	ARM- BOM-TELESKOPIK KONTROL BLOĞU	1					
1	S1824111	KİT, BASINÇ KOMPANSATÖRÜ	1					
2	S1824127	ÇEK VALF TAKIMI	1					
3	S1824189	KUMANDA DİLİMİ SÜRGÜ KİTİ	1					
4	S1824125	EMNİYET VALFİ	2					
5	S1824166	KEÇE TAKIMI	2					
6	S1824114	KEÇE TAKIMI	1					
7	S1824132	KEÇE TAKIMI	1					
8	S1824080	KAPAK	2					

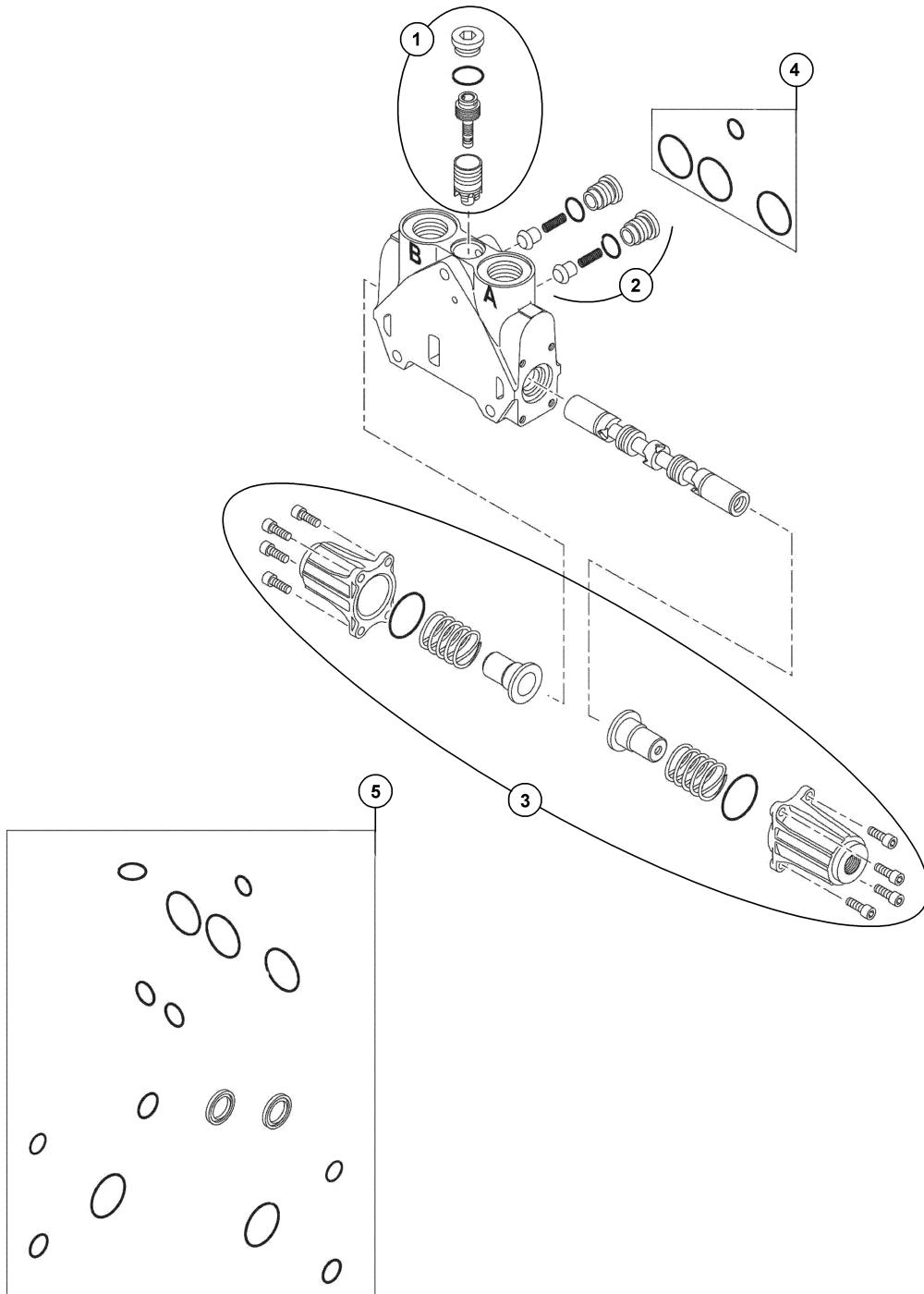
KAZICI KUMANDA VALFİ- DÖNÜŞ SİLİNDİRİ KONTROL BLOĞU, JOYSTICK (TİP B)
BACKHOE CONTROL VALVE-SLEW SWING RAM CONTROL BLOCK, JOYSTICK (TYPE



**KAZICI KUMANDA VALFİ- DÖNÜŞ SİLİNDİRİ KONTROL BLOĞU, JOYSTICK (TİP B)
BACKHOE CONTROL VALVE-SLEW SWING RAM CONTROL BLOCK, JOYSTICK (TYPE**

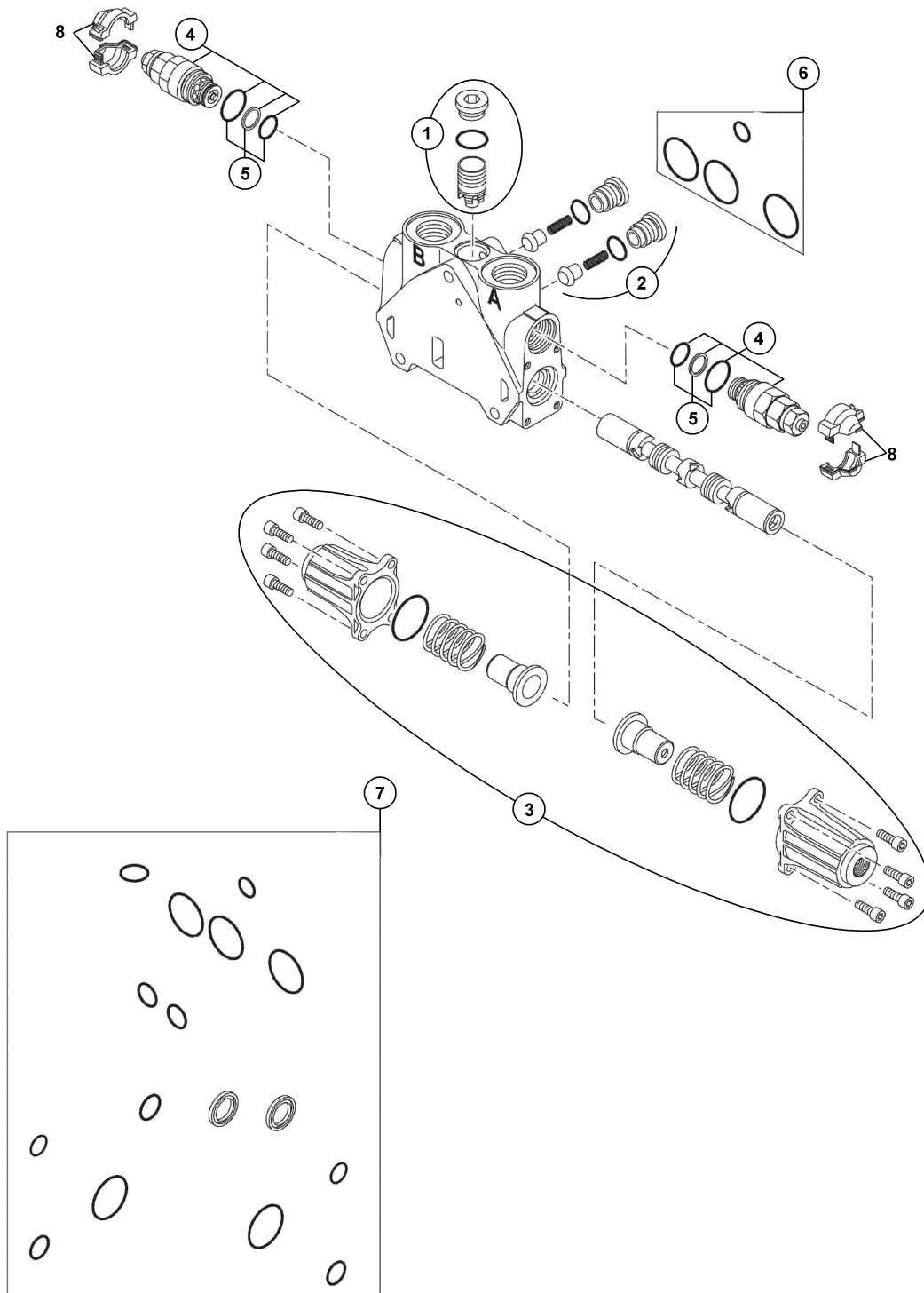
No	Parça No	Parça Adı	Adet	S.K.	Bas.S.N	Bit.S.N	Y.K.	Not
No	Part no	Description	Qty	SC	S/N from	S/N to	ICA	Note
0	S1824146	DÖNÜŞ SİLİNDİRİ KONTROL BLOĞU	1					
1	S1824131	KİT, BASINÇ KOMPANSATÖRÜ	1					
2	S1824112	ÇEK VALF TAKIMI	1					
3	S1824189	KUMANDA DİLİMİ SÜRGÜ KİTİ	1					
4	S1824125	EMNİYET VALFİ	2					
5	S1824166	KEÇE TAKIMI	2					
6	S1824114	KEÇE TAKIMI	1					
7	S1824188	KEÇE TAKIMI	1					
8	S1824080	KAPAK	2					

KAZICI KUMANDA VALFİ- AYAK SİLİNDİRİ KONTROL BLOĞU, JOYSTICK (TİP B)
BACKHOE CONTROL VALVE-STABILIZER RAM CONTROL BLOCK, JOYSTICK (TYPE



**KAZICI KUMANDA VALFİ- AYAK SİLİNDİRİ KONTROL BLOĞU, JOYSTICK (TİP B)
BACKHOE CONTROL VALVE-STABILIZER RAM CONTROL BLOCK, JOYSTICK (TYPE**

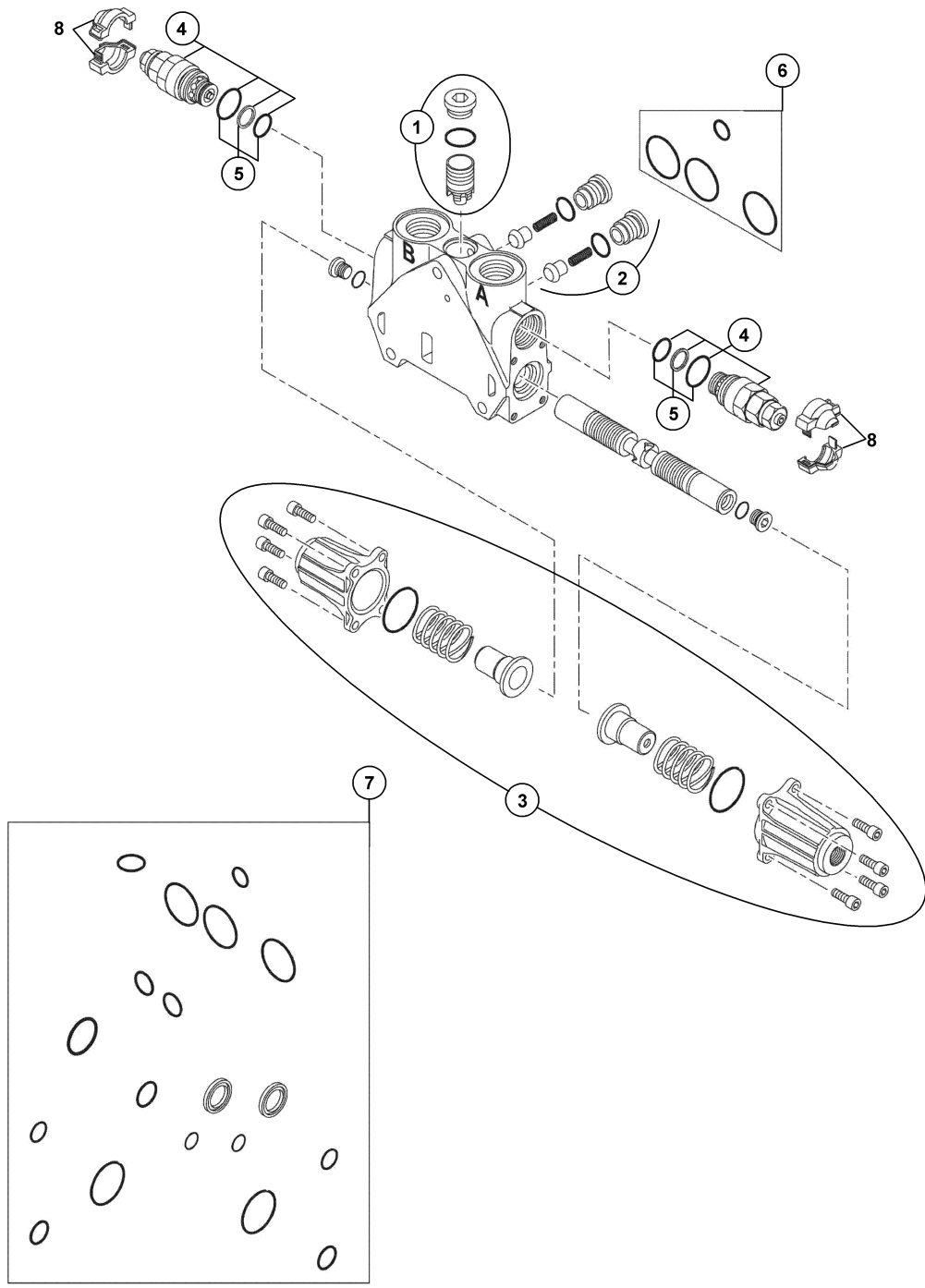
No	Parça No	Parça Adı	Adet	S.K.	Bas.S.N	Bit.S.N	Y.K.	Not
No	Part no	Description	Qty	SC	S/N from	S/N to	ICA	Note
0	S1824147	AYAK SİLİNDİR DİLİMİ, KAZICI VALFİ	1					
1	S1824111	KİT, BASINÇ KOMPANSATÖRÜ	1					
2	S1824112	ÇEK VALF TAKIMI	1					
3	S1824189	KUMANDA DİLİMİ SÜRGÜ KİTİ	1					
4	S1824114	KEÇE TAKIMI	1					
5	S1824132	KEÇE TAKIMI	1					

**KAZICI KUMANDA VALFİ- KIVIRICI SİLİNDİR KONTROL BLOĞU, JOYSTICK (TİP B)
BACKHOE CONTROL VALVE BUCKET RAM CONTROL BLOCK, JOYSTICK (TYPE B)**

**KAZICI KUMANDA VALFİ- KIVIRICI SİLİNDİR KONTROL BLOĞU, JOYSTICK (TİP B)
BACKHOE CONTROL VALVE BUCKET RAM CONTROL BLOCK, JOYSTICK (TYPE B)**

No	Parça No	Parça Adı	Adet	S.K.	Bas.S.N	Bit.S.N	Y.K.	Not
No	Part no	Description	Qty	SC	S/N from	S/N to	ICA	Note
0	S1824148	KEPÇE SİLİNDİRİ DİLİMİ, KAZICI VALFİ	1					
1	S1824131	KİT, BASINÇ KOMPANSATÖRÜ	1					
2	S1824112	ÇEK VALF TAKIMI	1					
3	S1824189	KUMANDA DİLİMİ SÜRGÜ KİTİ	1					
4	S1824125	EMNİYET VALFİ	2					
5	S1824166	KEÇE TAKIMI	2					
6	S1824114	KEÇE TAKIMI	1					
7	S1824132	KEÇE TAKIMI	1					
8	S1824080	KAPAK	2					

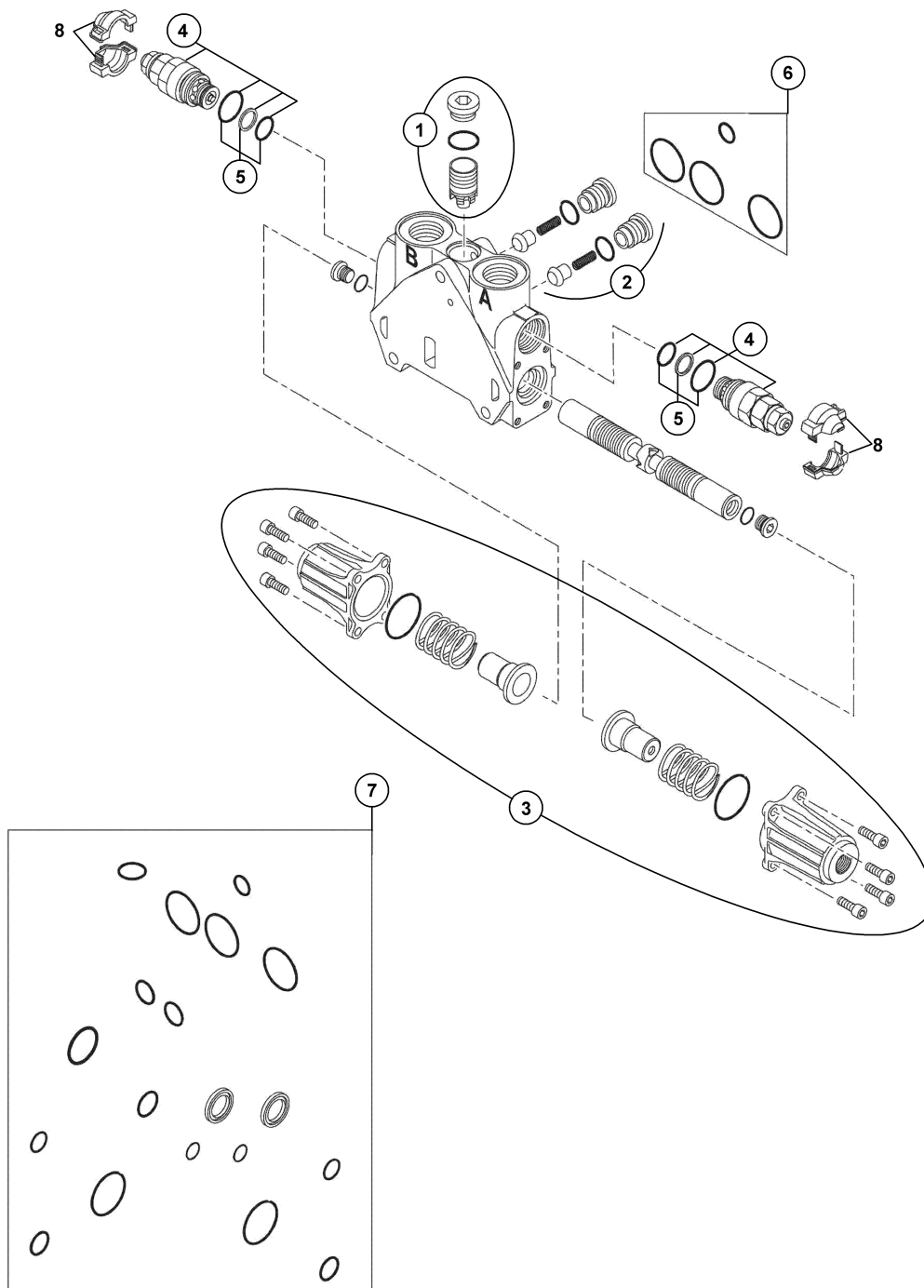
**KAZICI KUMANDA VALFİ BOM KONTROL BLOĞU, JOYSTICK (TİP B)
BACKHOE CONTROL VALVE BOOM CONTROL BLOCKS, JOYSTICK (TYPE B)**



KAZICI KUMANDA VALFİ BOM KONTROL BLOĞU,JOYSTICK (TİP B)
BACKHOE CONTROL VALVE BOOM CONTROL BLOCKS, JOYSTICK (TYPE B)

No	Parça No	Parça Adı	Adet	S.K.	Bas.S.N	Bit.S.N	Y.K.	Not
No	Part no	Description	Qty	SC	S/N from	S/N to	ICA	Note
0	S1824149	ARM- BOM-TELESKOPIK KONTROL BLOĞU	1					
1	S1824111	KİT, BASINÇ KOMPANSATÖRÜ	1					
2	S1824127	ÇEK VALF TAKIMI	1					
3	S1824189	KUMANDA DİLİMİ SÜRGÜ KİTİ	1					
4	S1824125	EMNİYET VALFİ	2					
5	S1824166	KEÇE TAKIMI	2					
6	S1824114	KEÇE TAKIMI	1					
7	S1824132	KEÇE TAKIMI	1					
8	S1824080	KAPAK	2					

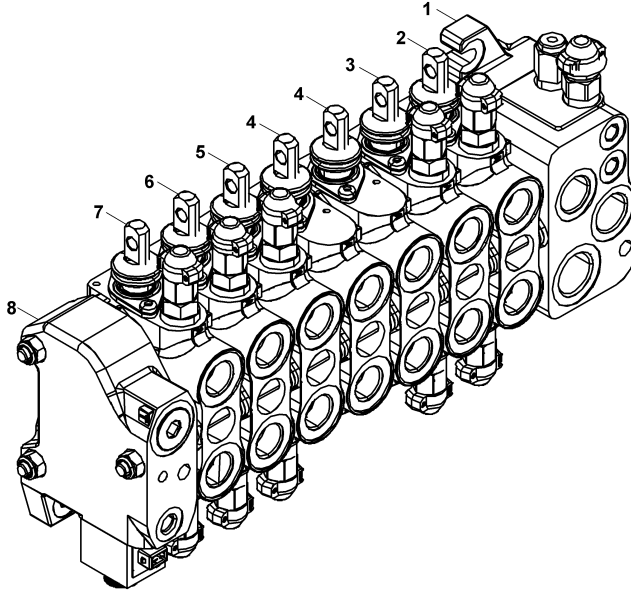
KAZICI KUMANDA VALFİ TELESKOPIK KONTROL BLOĞU, JOYSTICK (TİP B)
BACKHOE CONTROL VALVE TELESCOPIC CONTROL BLOCKS, JOYSTICK (TYPE B)



**KAZICI KUMANDA VALFİ TELESKOPIK KONTROL BLOĞU, JOYSTICK (TİP B)
BACKHOE CONTROL VALVE TELESCOPIC CONTROL BLOCKS, JOYSTICK (TYPE B)**

No	Parça No	Parça Adı	Adet	S.K.	Bas.S.N	Bit.S.N	Y.K.	Not
No	Part no	Description	Qty	SC	S/N from	S/N to	ICA	Note
0	S1824162	ARM- BOM-TELESKOPIK KONTROL BLOĞU	1					
1	S1824111	KİT, BASINÇ KOMPANSATÖRÜ	1					
2	S1824127	ÇEK VALF TAKIMI	1					
3	S1824189	KUMANDA DİLİMİ SÜRGÜ KİTİ	1					
4	S1824125	EMNİYET VALFİ	2					
5	S1824166	KEÇE TAKIMI	2					
6	S1824114	KEÇE TAKIMI	1					
7	S1824132	KEÇE TAKIMI	1					
8	S1824080	KAPAK	2					

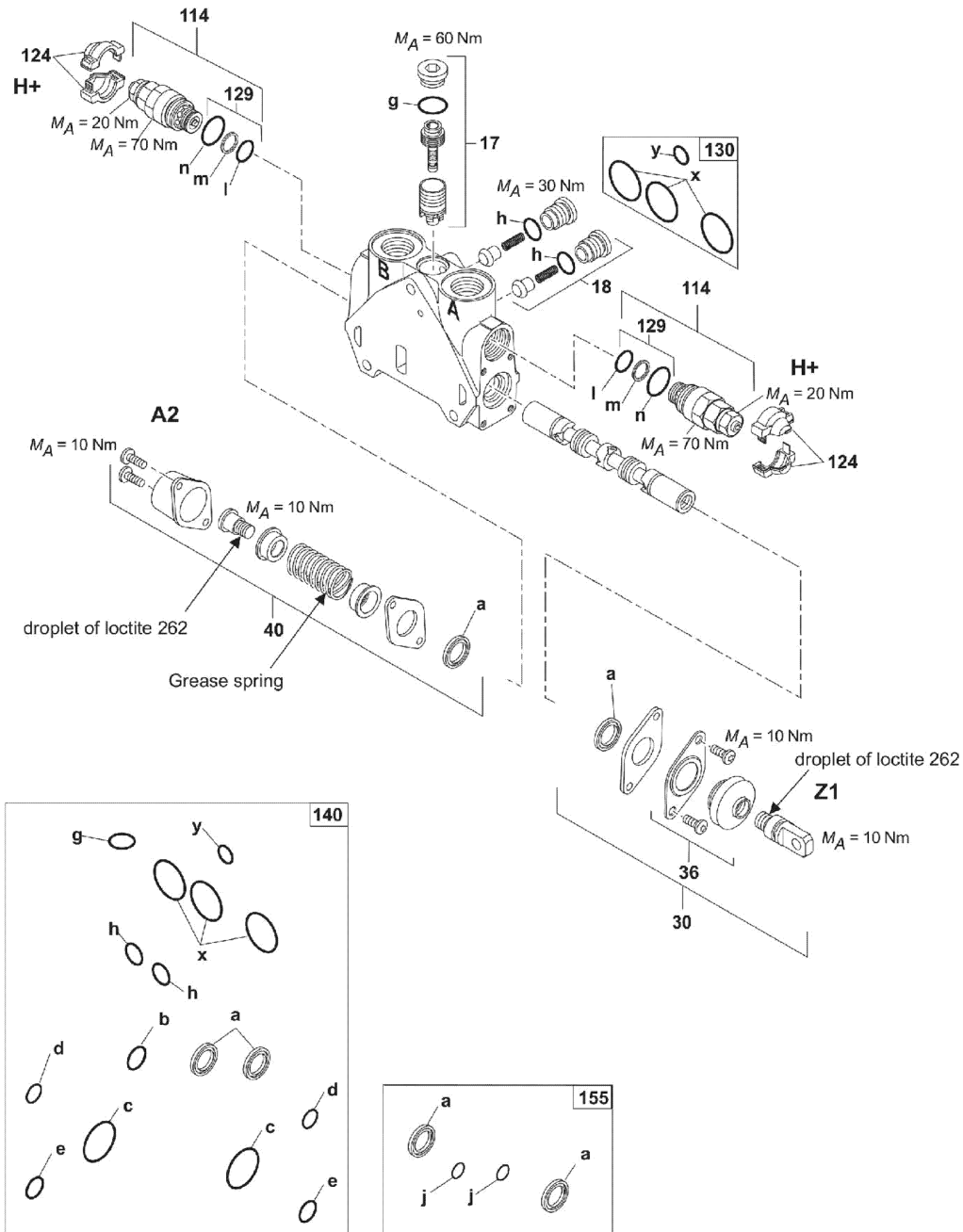
KAZICI KUMANDA VALFİ, LEVYELİ (DİŞLİ POMPA & TİP B)
BACKHOE CONTROL VALVE, LEVERS (GEAR PUMP & TYPE B)



**KAZICI KUMANDA VALFİ, LEVYELİ (DİŞLİ POMPA & TİP B)
BACKHOE CONTROL VALVE, LEVERS (GEAR PUMP & TYPE B)**

No	Parça No	Parça Adı	Description	Adet	S.K.	Bas.S.N	Bit.S.N	Y.K.	Not
No	Part no			Qty	SC	S/N from	S/N to	ICA	Note
0	F1824120	KAZICI KUMANDA VALFİ, LEVYELİ	BACKHOE CONTROL VALVE, LEVERS	1					
1	S1824168	GİRİŞ BLOĞU, KAZICI KUMANDA VALFİ	INLET BLOCK, HOE CONTROL VALVE	1					G040.03.05
2	S1824169	DEVİRİCİ SİLİNDİR KONTROL BLOĞU	DIPPER RAM CONTROL BLOCK	1					G040.03.06
3	S1824172	DÖNÜŞ SİLİNDİRİ KONTROL BLOĞU	SLEW SWING RAM CONTROL BLOCK	1					G040.03.09
4	S1824156	AYAK SİLİNDİRİ KONTROL BLOĞU	STABILIZER RAM CONTROL BLOCK	2					G040.03.03
5	S1824173	KIVIRICI SİLİNDİR KONTROL BLOĞU	BUCKET RAM CONTROL BLOCK	1					G040.03.08
6	S1824170	KALDIRICI SİLİNDİR KONTROL BLOĞU	LIFT RAM CONTROL BLOCK	1					G040.03.07
7	S1824171	TELESKOPIK SİLİNDİR KONTROL BLOĞU	TELESCOPIC CYLINDER CONTROL BLOCK	1					G040.03.02
8	S1824124	ÇIKIŞ BLOĞU, KAZICI KUMANDA VALFİ	OUTLET BLOCK, BACKHOE VALVE	1					G040.03.04

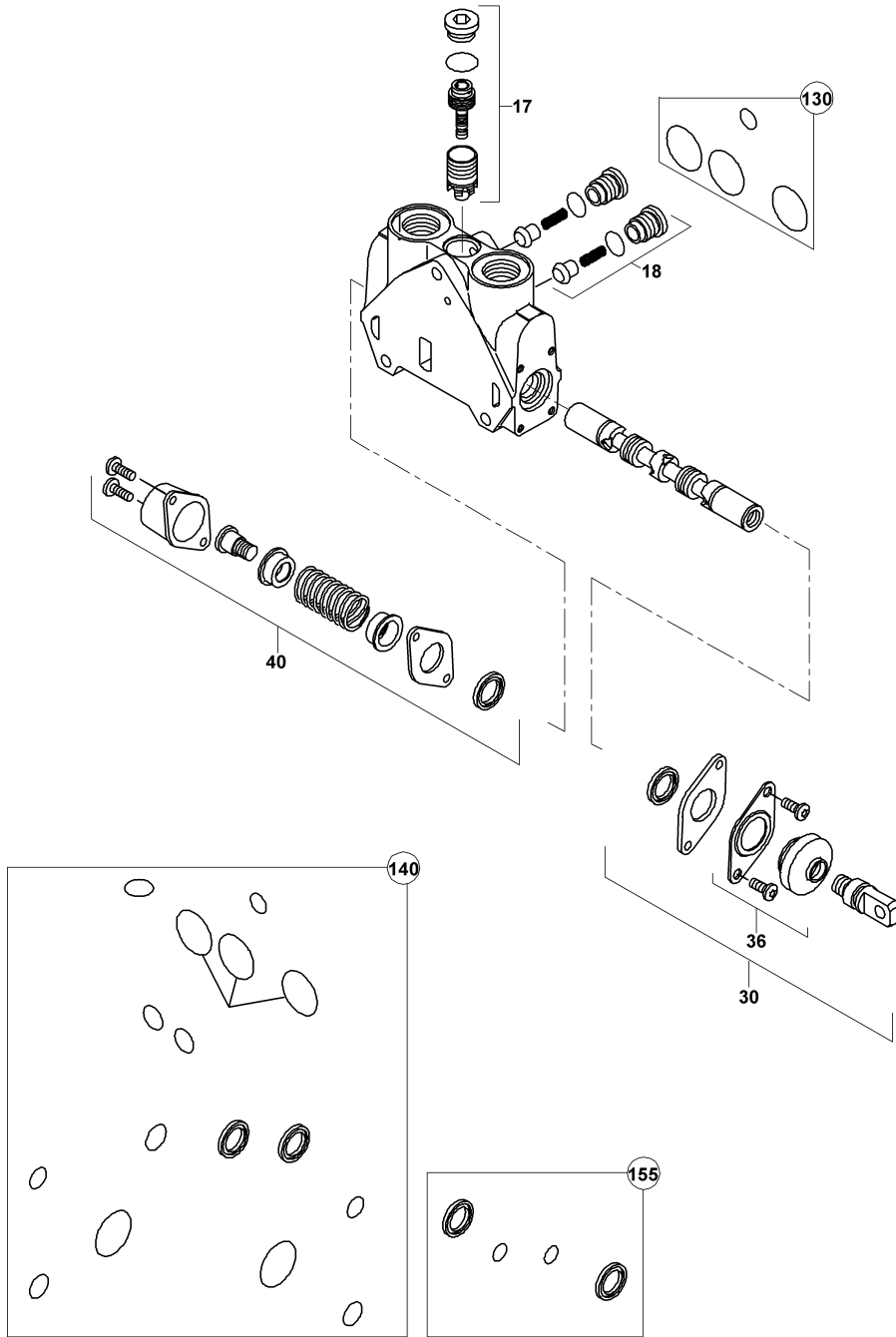
TELESKOPIK SİLİNDİR KONTROL BLOĞU, LEVYELİ (DİŞLİ POMPA & TİP B)
TELESCOPIC RAM CONTROL BLOCK, LEVERS (GEAR PUMP & TYPE B)



**TELESKOPIK SİLİNDİR KONTROL BLOĞU, LEVYELİ (DİŞLİ POMPA & TİP B)
TELESCOPIC RAM CONTROL BLOCK, LEVERS (GEAR PUMP & TYPE B)**

No	Parça No	Parça Adı	Description	Adet	S.K.	Bas.S.N	Bit.S.N	Y.K.	Not
No	Part no			Qty	SC	S/N from	S/N to	ICA	Note
0	S1824171	TELESKOPIK SİLİNDİR KONTROL BLOĞU	TELESCOPIC CYLINDER COTROL BLOCK	1					
17	S1824111	KİT, BASINÇ KOMPANSATÖRÜ	PRESSURE COMPENSATOR KIT	1					
18	S1824112	ÇEK VALF TAKIMI	CHECK VALVE KIT	1					
30	S1824122	KİT, MEKANİK KUMANDA	MECHANIC OPERATION KIT	1					
36	S1824109	KÖRÜK KOMPLESİ	BOOT ASS'Y	1					
40	S1824165	KİT, KAPAK	SPOOL RETURN OPERATION	1					
114	S1824125	EMNİYET VALFİ	RELIEF VALVE	2					
124	S1824080	KAPAK	HALF COVER	2					
129	S1824166	KEÇE TAKIMI	SEAL KIT	2					
130	S1824114	KEÇE TAKIMI	SEAL KIT	1					
140	S1824132	KEÇE TAKIMI	SEAL KIT	1					
155	S1824133	KEÇE TAKIMI	SEAL KIT	1					

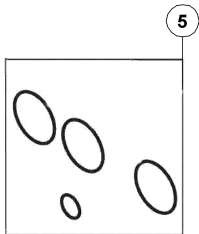
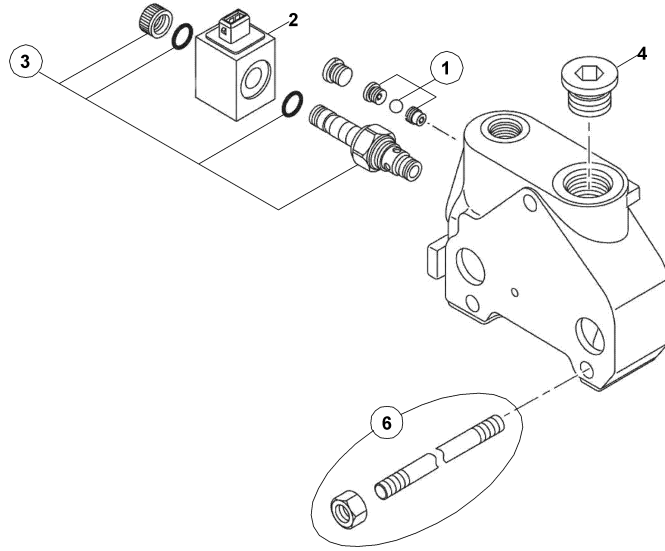
**AYAK SİLİNDİRİ KONTROL BLOĞU, LEVYELİ (DİŞLİ POMPA & TİP B)
STABILIZER RAM CONTROL BLOCK, LEVERS (GEAR PUMP & TYPE B)**



**AYAK SİLİNDİRİ KONTROL BLOĞU, LEVYELİ (DIŞLI POMPA & TİP B)
STABILIZER RAM CONTROL BLOCK, LEVERS (GEAR PUMP & TYPE B)**

No	Parça No	Parça Adı	Adet	S.K.	Bas.S.N	Bit.S.N	Y.K.	Not
No	Part no	Description	Qty	SC	S/N from	S/N to	ICA	Note
0	S1824156	AYAK SİLİNDİRİ KONTROL BLOĞU	1					
17	S1824111	KİT, BASINÇ KOMPANSATÖRÜ	1					
18	S1824112	ÇEK VALF TAKIMI	1					
30	S1824122	KİT, MEKANİK KUMANDA	1					
36	S1824109	KÖRÜK KOMPLESİ	1					
40	S1824165	KİT, KAPAK	1					
130	S1824114	KEÇE TAKIMI	1					
140	S1824132	KEÇE TAKIMI	1					
155	S1824133	KEÇE TAKIMI	1					

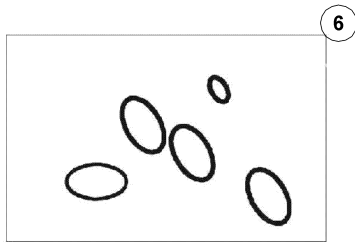
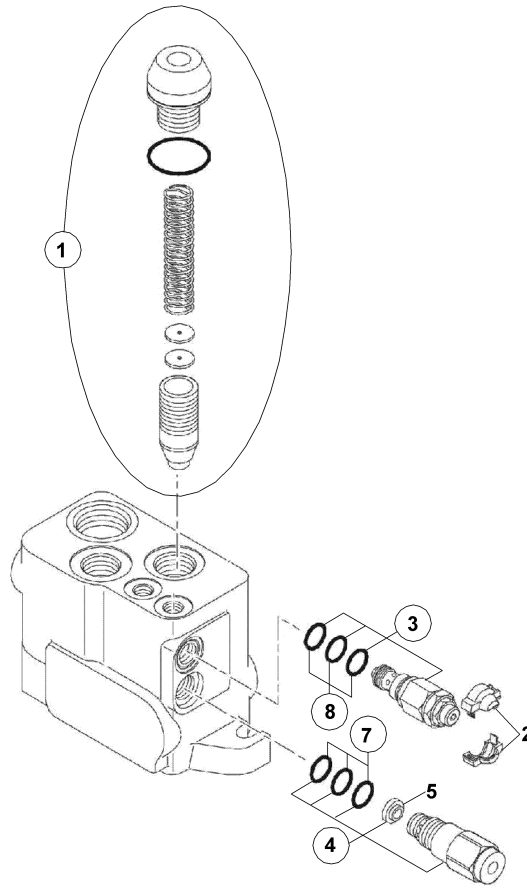
**KAZICI KUMANDA VALFİ ÇIKIŞ BLOĞU, LEVYELİ (DİŞLİ POMPA & TİP B)
BACKHOE CONTROL VALVE OUTLET BLOCK, LEVERS (GEAR PUMP & TYPE B)**



KAZICI KUMANDA VALFİ ÇIKIŞ BLOĞU, LEVYELİ (DİŞLİ POMPA & TİP B)
BACKHOE CONTROL VALVE OUTLET BLOCK, LEVERS (GEAR PUMP & TYPE B)

No	Parça No	Parça Adı	Adet	S.K.	Bas.S.N	Bit.S.N	Y.K.	Not
No	Part no	Description	Qty	SC	S/N from	S/N to	ICA	Note
0	S1824124	ÇIKIŞ BLOĞU, KAZICI KUMANDA VALFİ	1					
1	S1824186	KISICI TAKIMI	1					
2	S1824184	BOBİN	1					
3	S1824183	KİT, 2 YOLLU VALF	1					
4	S1824060	TAPA	1					
5	S1824114	KEÇE TAKIMI	1					
6	S1824181	ÇEK VALF TAKIMI	3					

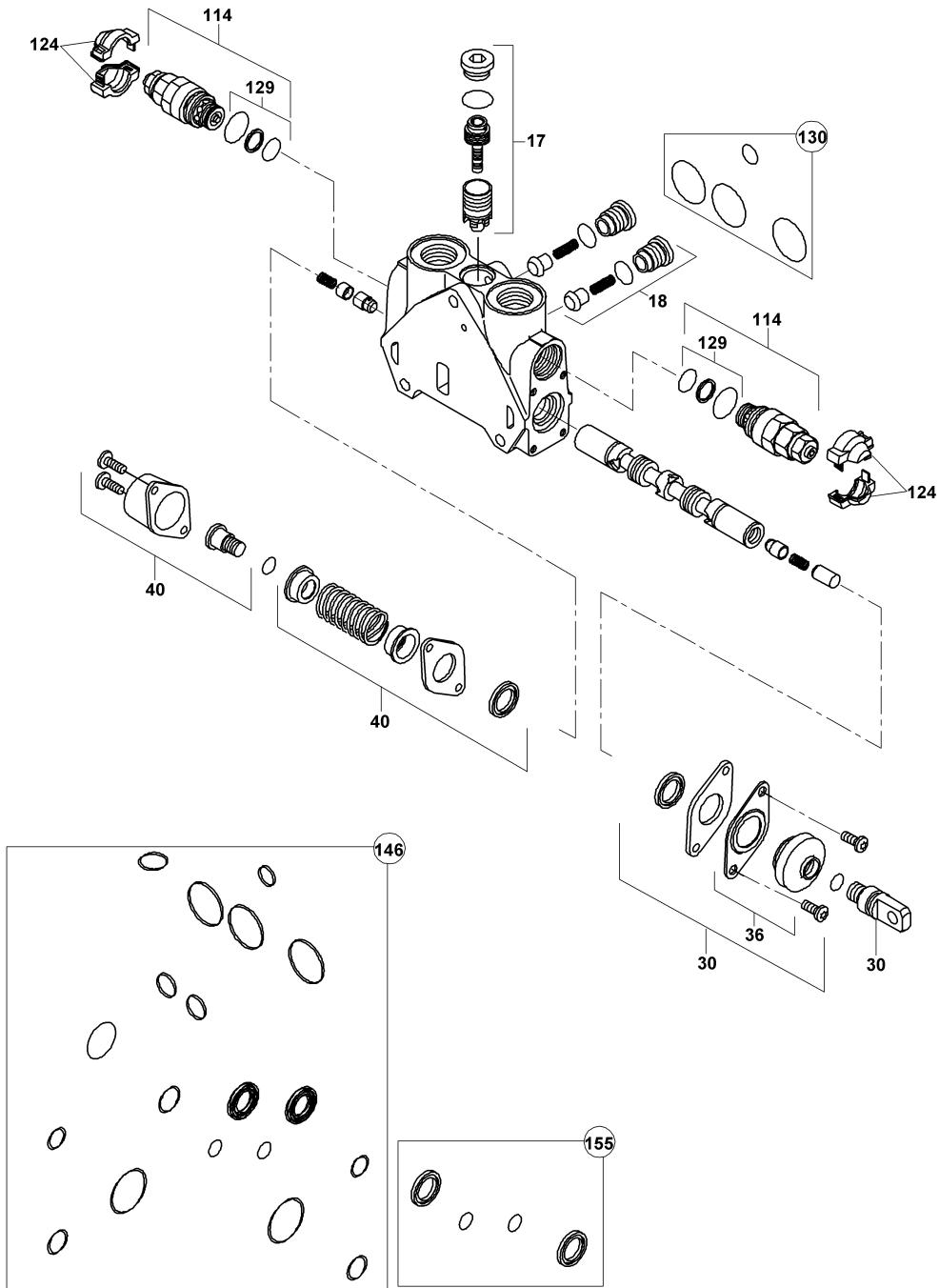
**KAZICI KUMANDA VALFİ GİRİŞ BLOĞU, LEVYELİ (DİŞLİ POMPA & TİP B)
BACKHOE CONTROL VALVE INLET BLOCK, LEVERS (GEAR PUMP & TYPE B)**



**KAZICI KUMANDA VALFİ GİRİŞ BLOĞU, LEVYELİ (DİŞLİ POMPA & TİP B)
BACKHOE CONTROL VALVE INLET BLOCK, LEVERS (GEAR PUMP & TYPE B)**

No	Parça No	Parça Adı	Adet	S.K.	Bas.S.N	Bit.S.N	Y.K.	Not
No	Part no	Description	Qty	SC	S/N from	S/N to	ICA	Note
0	S1824168	GİRİŞ BLOĞU, KAZICI KUMANDA VALFİ	1					
1	S1824174	AYAR KİTİ	1					
2	S1824080	KAPAK	1					
3	S1824178	EMNİYET VALFİ	1					
4	S1824179	REGÜLATÖR KOMPLESİ, POMPA	1					
5	S1824177	FİLTRE	1					
6	S1824085	KEÇE TAKIMI	1					
7	S1824175	KEÇE TAKIMI	1					
8	S1824176	KEÇE TAKIMI	1					

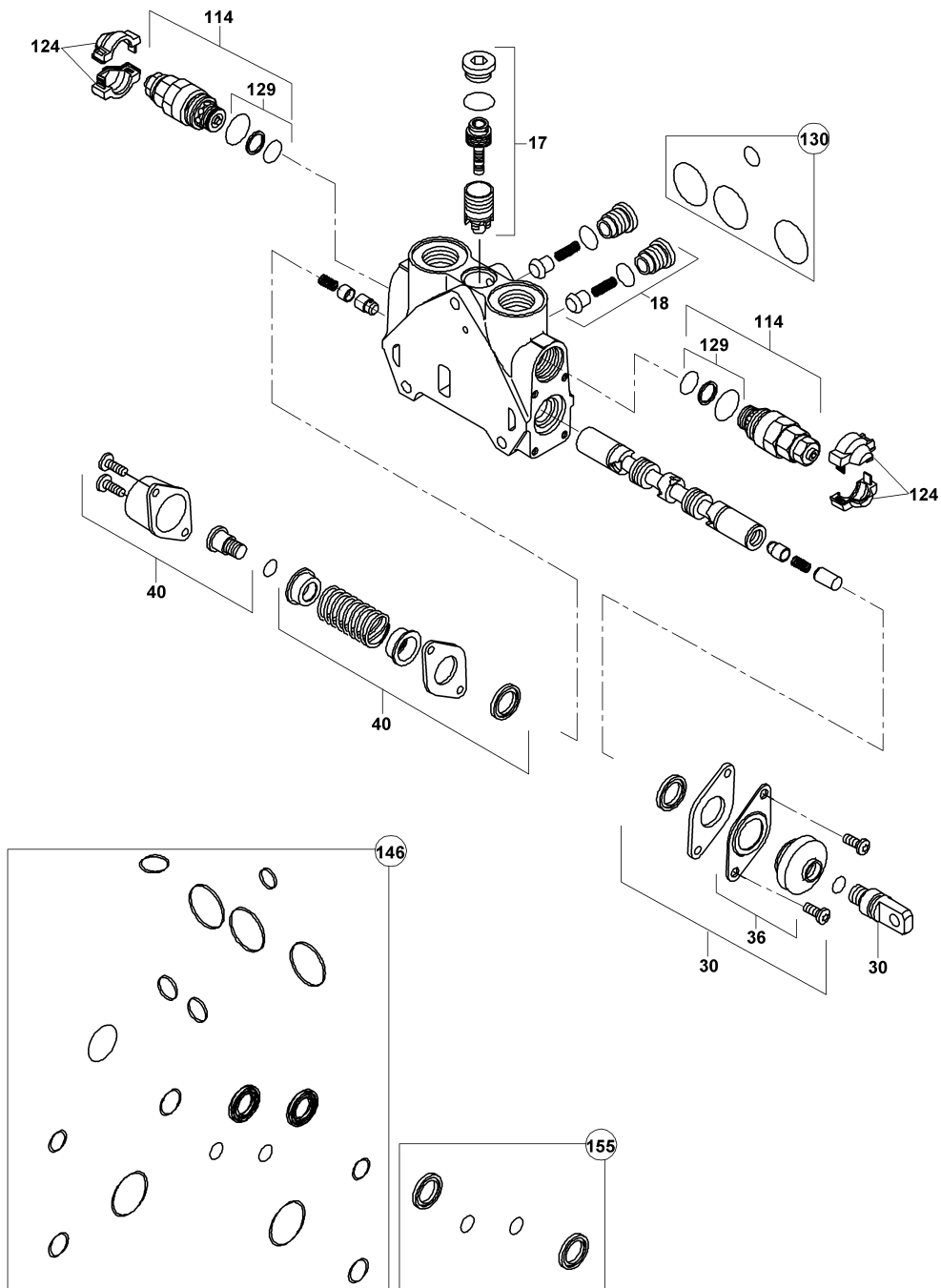
**DEVİRİCİ SİLİNDİR KONTROL BLOĞU, LEVYELİ (DİŞLİ POMPA & TİP B)
DIPPER RAM CONTROL BLOCK, LEVERS (GEAR PUMP & TYPE B)**



**DEVİRİCİ SİLİNDİR KONTROL BLOĞU, LEVYELİ (DİŞLİ POMPA & TİP B)
DIPPER RAM CONTROL BLOCK, LEVERS (GEAR PUMP & TYPE B)**

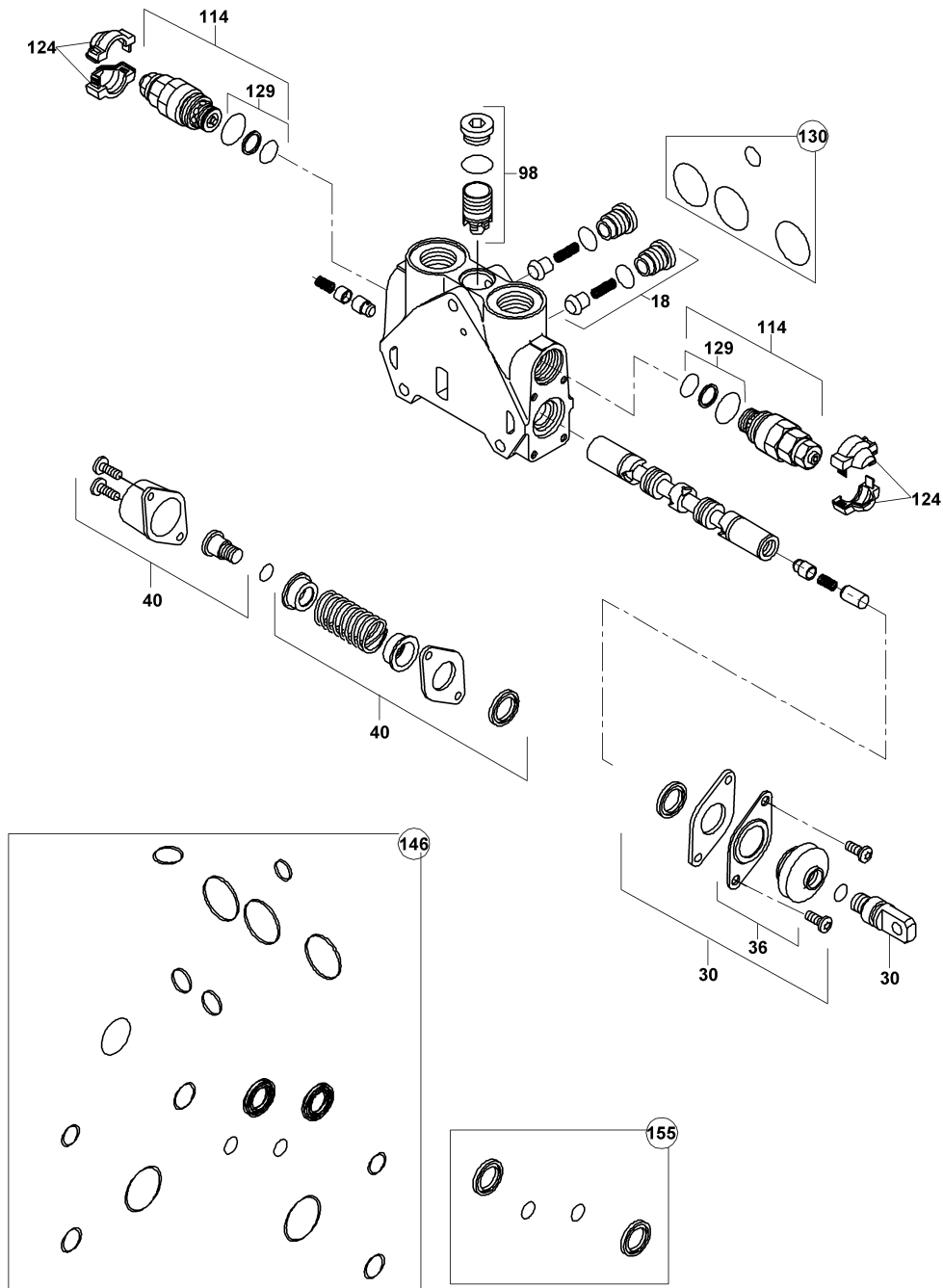
No	Parça No	Parça Adı	Adet	S.K.	Bas.S.N	Bit.S.N	Y.K.	Not
No	Part no	Description	Qty	SC	S/N from	S/N to	ICA	Note
0	S1824169	DEVİRİCİ SİLİNDİR KONTROL BLOĞU	DIPPER RAM CONTROL BLOCK	1				
17	S1824111	KİT, BASINÇ KOMPANSATÖRÜ	PRESSURE COMPENSATOR KIT	1				
18	S1824112	ÇEK VALF TAKIMI	CHECK VALVE KIT	1				
30	S1824122	KİT, MEKANİK KUMANDA	MECHANIC OPERATION KIT	1				
36	S1824109	KÖRÜK KOMPLESİ	BOOT ASS'Y	1				
40	S1824165	KİT, KAPAK	SPOOL RETURN OPERATION	1				
114	S1824125	EMNİYET VALFİ	RELIEF VALVE	2				
124	S1824080	KAPAK	HALF COVER	2				
129	S1824166	KEÇE TAKIMI	SEAL KIT	2				
130	S1824114	KEÇE TAKIMI	SEAL KIT	1				
146	S1824188	KEÇE TAKIMI	SEAL KIT	1				
155	S1824133	KEÇE TAKIMI	SEAL KIT	1				

KALDIRICI SİLİNDİR KONTROL BLOĞU, LEVYELİ (DİŞLİ POMPA & TİP B) LIFT RAM CONTROL BLOCK, LEVERS (GEAR PUMP & TYPE B)



KALDIRICI SİLİNDİR KONTROL BLOĞU, LEVYELİ (DİŞLİ POMPA & TİP B)
LIFT RAM CONTROL BLOCK, LEVERS (GEAR PUMP & TYPE B)

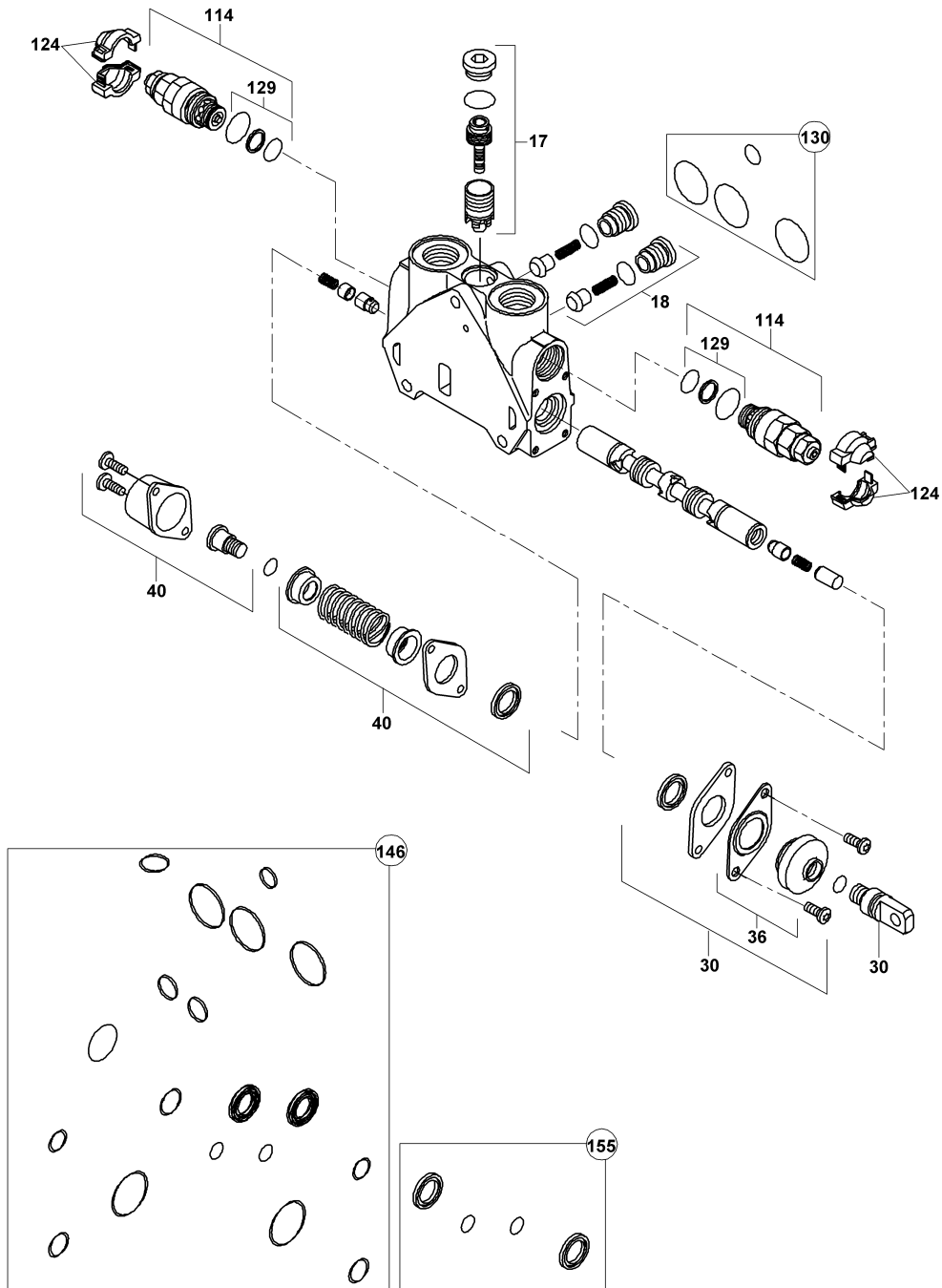
No	Parça No	Parça Adı	Description	Adet	S.K.	Bas.S.N	Bit.S.N	Y.K.	Not
No	Part no			Qty	SC	S/N from	S/N to	ICA	Note
0	S1824170	KALDIRICI SİLİNDİR KONTROL BLOĞU	LIFT RAM CONTROL BLOCK	1					
17	S1824111	KİT, BASINÇ KOMPANSATÖRÜ	PRESSURE COMPENSATOR KIT	1					
18	S1824112	ÇEK VALF TAKIMI	CHECK VALVE KIT	1					
30	S1824122	KİT, MEKANİK KUMANDA	MECHANIC OPERATION KIT	1					
36	S1824109	KÖRÜK KOMPLESİ	BOOT ASS'Y	1					
40	S1824165	KİT, KAPAK	SPOOL RETURN OPERATION	1					
114	S1824125	EMNİYET VALFİ	RELIEF VALVE	2					
124	S1824080	KAPAK	HALF COVER	2					
129	S1824166	KEÇE TAKIMI	SEAL KIT	2					
130	S1824114	KEÇE TAKIMI	SEAL KIT	1					
146	S1824188	KEÇE TAKIMI	SEAL KIT	1					
155	S1824133	KEÇE TAKIMI	SEAL KIT	1					

**KIVIRICI SİLİNDİR KONTROL BLOĞU, LEVYELİ (DİŞLİ POMPA & TİP B)
BUCKET RAM CONTROL BLOCK, LEVERS (GEAR PUMP & TYPE B)**

**KIVIRICI SİLİNDİR KONTROL BLOĞU, LEVYELİ (DİŞLİ POMPA & TİP B)
BUCKET RAM CONTROL BLOCK, LEVERS (GEAR PUMP & TYPE B)**

No	Parça No	Parça Adı	Description	Adet	S.K.	Bas.S.N	Bit.S.N	Y.K.	Not
No	Part no			Qty	SC	S/N from	S/N to	ICA	Note
0	S1824173	KIVIRICI SİLİNDİR KONTROL BLOĞU	BUCKET RAM CONTROL BLOCK	1					
18	S1824112	ÇEK VALF TAKIMI	CHECK VALVE KIT	1					
30	S1824122	KİT, MEKANİK KUMANDA	MECHANIC OPERATION KIT	1					
36	S1824109	KÖRÜK KOMPLESİ	BOOT ASS'Y	1					
40	S1824165	KİT, KAPAK	SPOOL RETURN OPERATION	1					
98	S1824131	KİT, BASINÇ KOMPANSATÖRÜ	PRESSURE COMPENSATOR KIT	1					
114	S1824125	EMNİYET VALFİ	RELIEF VALVE	2					
124	S1824080	KAPAK	HALF COVER	2					
129	S1824166	KEÇE TAKIMI	SEAL KIT	2					
130	S1824114	KEÇE TAKIMI	SEAL KIT	1					
146	S1824188	KEÇE TAKIMI	SEAL KIT	1					
155	S1824133	KEÇE TAKIMI	SEAL KIT	1					

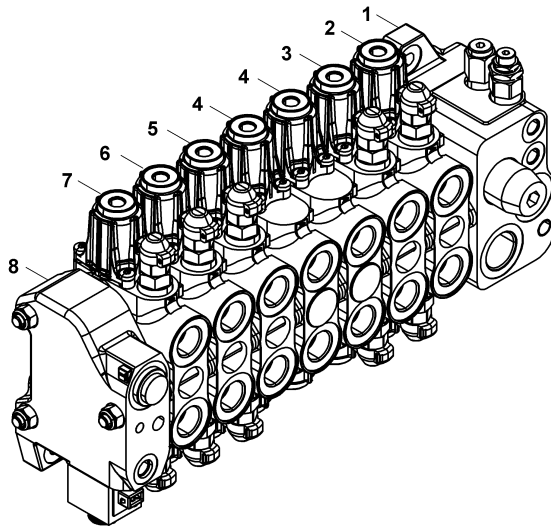
DÖNÜŞ SİLİNDİRİ KONTROL BLOĞU, LEVYELİ (DİŞLİ POMPA & TİP B) SLEW SWING RAM CONTROL BLOCK, LEVERS (GEAR PUMP & TYPE B)



DÖNÜŞ SİLİNDİRİ KONTROL BLOĞU, LEVYELİ (DİŞLİ POMPA & TİP B)
SLEW SWING RAM CONTROL BLOCK, LEVERS (GEAR PUMP & TYPE B)

No	Parça No	Parça Adı	Adet	S.K.	Bas.S.N	Bit.S.N	Y.K.	Not
No	Part no	Description	Qty	SC	S/N from	S/N to	ICA	Note
0	S1824172	DÖNÜŞ SİLİNDİRİ KONTROL BLOĞU	1					
17	S1824126	KİT, BASINÇ KOMPANSATÖRÜ	1					
18	S1824112	ÇEK VALF TAKIMI	1					
30	S1824122	KİT, MEKANİK KUMANDA	1					
36	S1824109	KÖRÜK KOMPLESİ	1					
40	S1824165	KİT, KAPAK	1					
114	S1824125	EMNİYET VALFİ	2					
124	S1824080	KAPAK	2					
129	S1824166	KEÇE TAKIMI	2					
130	S1824114	KEÇE TAKIMI	1					
146	S1824188	KEÇE TAKIMI	1					
155	S1824133	KEÇE TAKIMI	1					

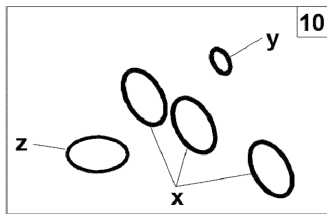
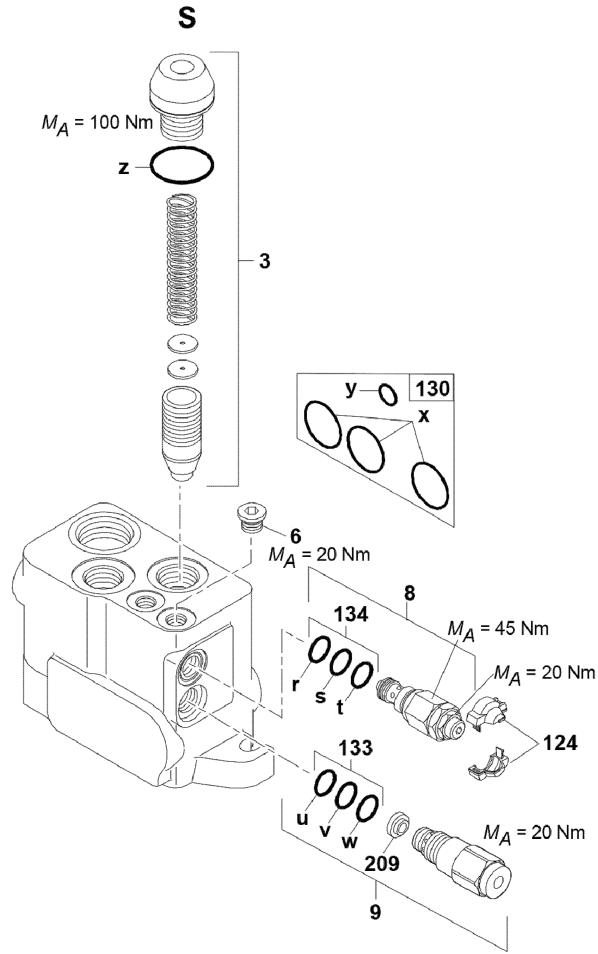
KAZICI KUMANDA VALFİ, JOYSTICK (DIŞLI POMPA & TİP B, FS)
BACKHOE CONTROL VALVE, JOYSTICK (GEAR PUMP & TYPE B, FS)



**KAZICI KUMANDA VALFİ, JOYSTICK (DIŞLİ POMPA & TİP B, FS)
BACKHOE CONTROL VALVE, JOYSTICK (GEAR PUMP & TYPE B, FS)**

No	Parça No	Parça Adı	Adet	S.K.	Bas.S.N	Bit.S.N	Y.K.	Not
No	Part no	Description	Qty	SC	S/N from	S/N to	ICA	Note
0	F1824195	KAZICI KUMANDA VALFİ	1					
1	S1824144	KAZICI KUMANDA VALFİ- GİRİŞ BLOĞU	1					G040.06.02
2	S1824145	ARM- BOM-TELESKOPIK KONTROL BLOĞU	1					G040.06.04
3	S1824146	DÖNÜŞ SİLİNDİRİ KONTROL BLOĞU	1					G040.06.05
4	S1824147	AYAK SİLİNDİR DİLİMİ, KAZICI VALFİ	2					G040.06.06
5	S1824148	KEPÇE SİLİNDİRİ DİLİMİ, KAZICI VALFİ	1					G040.06.07
6	S1824149	ARM- BOM-TELESKOPIK KONTROL BLOĞU	1					G040.06.08
7	S1824162	ARM- BOM-TELESKOPIK KONTROL BLOĞU	1					G040.06.09
8	S1824124	ÇIKIŞ BLOĞU, KAZICI KUMANDA VALFİ	1					G040.06.03

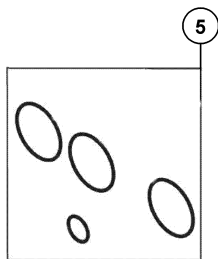
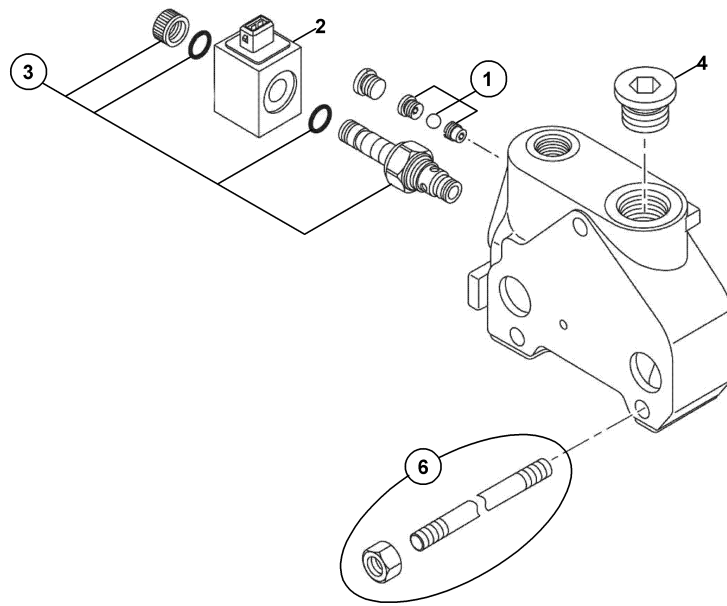
KAZICI KUMANDA VALFİ- GİRİŞ BLOĞU (TİP B) BACKHOE CONTROL VALVE-INLET BLOCK (TYPE B)



KAZICI KUMANDA VALFİ- GİRİŞ BLOĞU (TİP B)
BACKHOE CONTROL VALVE-INLET BLOCK (TYPE B)

No	Parça No	Parça Adı	Adet	S.K.	Bas.S.N	Bit.S.N	Y.K.	Not
No	Part no	Description	Qty	SC	S/N from	S/N to	ICA	Note
0	S1824144	KAZICI KUMANDA VALFİ- GİRİŞ BLOĞU	1					
3	S1824161	AYAR KİTİ	1					
6	S1824070	TAPA	1					
8	S1824178	EMNİYET VALFİ	1					
9	S1824179	REGÜLATÖR KOMPLESİ, POMPA	1					
10	S1824085	KEÇE TAKIMI	1					
124	S1824080	KAPAK	1					
130	S1824114	KEÇE TAKIMI	1					
133	S1824175	KEÇE TAKIMI	1					
134	S1824176	KEÇE TAKIMI	1					
209	S1824177	FİLTRE	1					

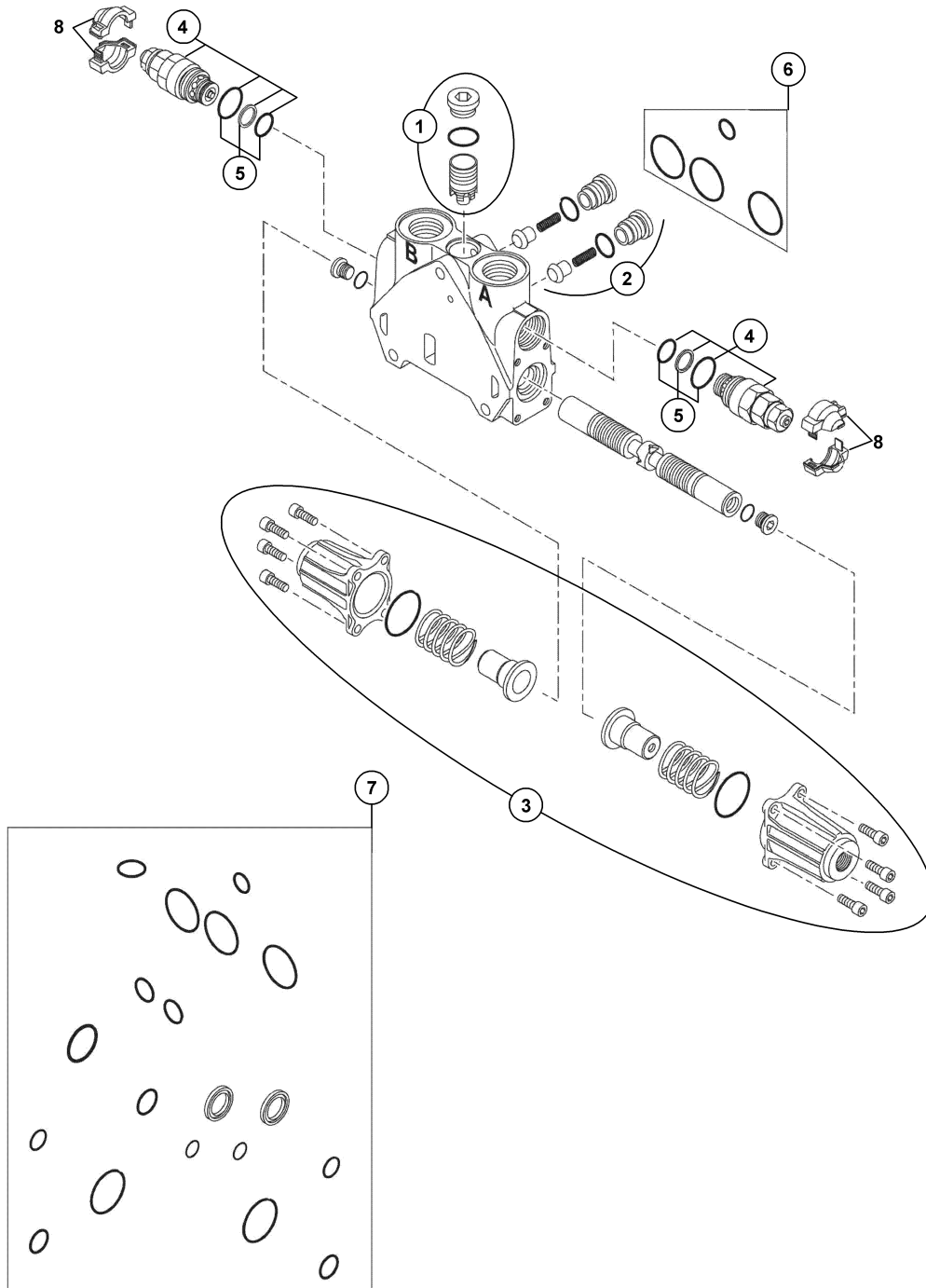
KAZICI KUMANDA VALFİ- ÇIKIŞ BLOĞU (TİP B)
BACKHOE CONTROL VALVE -OUTLET BLOCK (TYPE B)



KAZICI KUMANDA VALFİ- ÇIKIŞ BLOĞU (TİP B)
BACKHOE CONTROL VALVE -OUTLET BLOCK (TYPE B)

No	Parça No	Parça Adı	Description	Adet	S.K.	Bas.S.N	Bit.S.N	Y.K.	Not
No	Part no			Qty	SC	S/N from	S/N to	ICA	Note
0	S1824124	ÇIKIŞ BLOĞU, KAZICI KUMANDA VALFİ	OUTLET BLOCK, BACKHOE VALVE	1					
1	S1824186	KISICI TAKIMI	SHUTTLE THROTTLE KIT	1					
2	S1824184	BOBİN	COLIL, SOLENOID	1					
3	S1824183	KİT, 2 YOLLU VALF	2 WAYS VALVE KIT	1					
4	S1824060	TAPA	OUTLET PLUG	1					
5	S1824114	KEÇE TAKIMI	SEAL KIT	1					
6	S1824181	ÇEK VALF TAKIMI	TIE ROD	3					

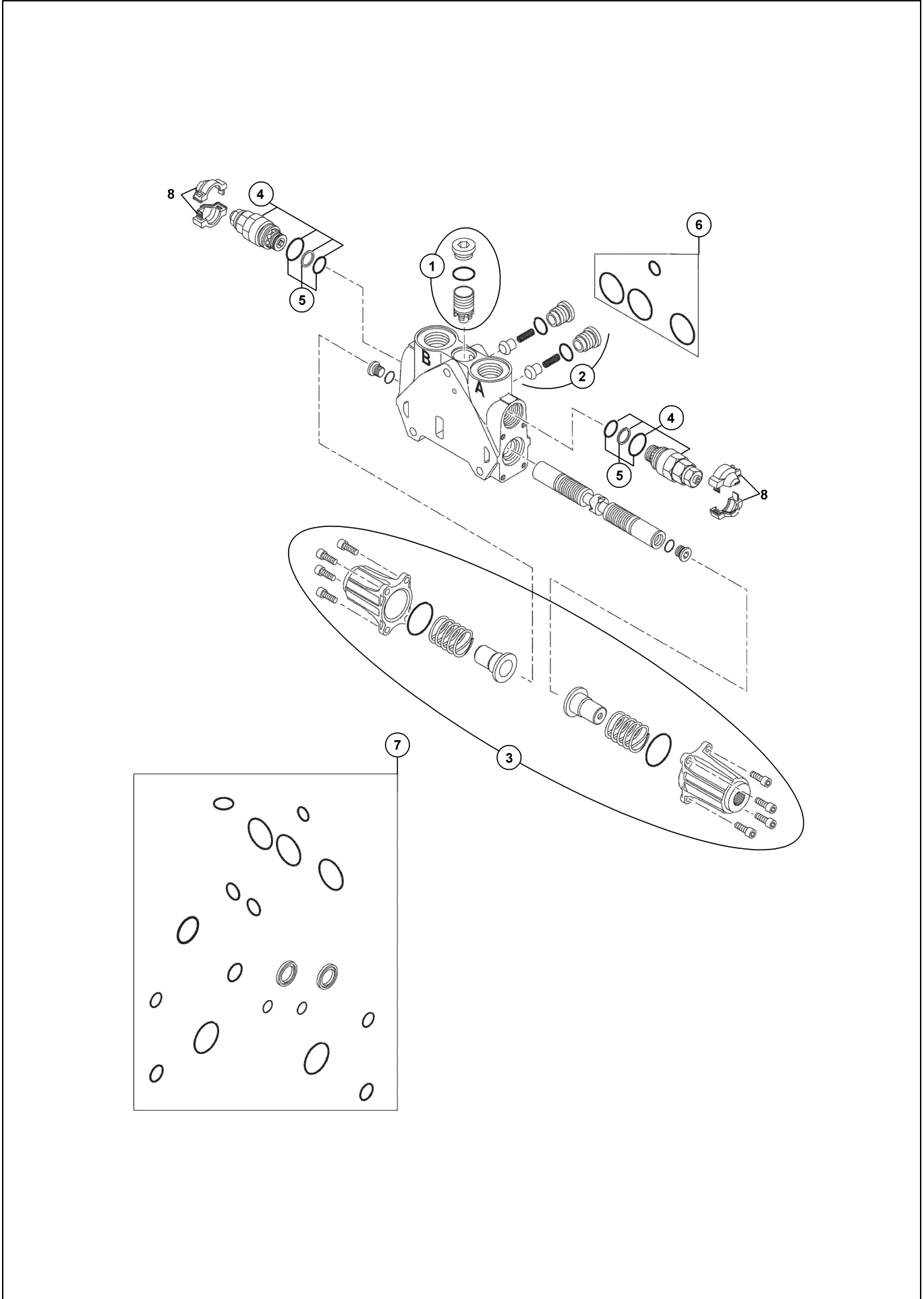
**KAZICI KUMANDA VALFİ-ARM KONTROL BLOĞU, JOYSTICK (TİP B)
BACKHOE CONTROL VALVE-ARM CONTROL BLOCKS,JOYSTICK(TYPE B)**



KAZICI KUMANDA VALFİ-ARM KONTROL BLOĞU, JOYSTICK (TİP B)
BACKHOE CONTROL VALVE-ARM CONTROL BLOCKS,JOYSTICK(TYPE B)

No	Parça No	Parça Adı	Adet	S.K.	Bas.S.N	Bit.S.N	Y.K.	Not
No	Part no	Description	Qty	SC	S/N from	S/N to	ICA	Note
0	S1824145	ARM- BOM-TELESKOPIK KONTROL BLOĞU	1					
1	S1824111	KİT, BASINÇ KOMPANSATÖRÜ	1					
2	S1824127	ÇEK VALF TAKIMI	1					
3	S1824189	KUMANDA DİLİMİ SÜRGÜ KİTİ	1					
4	S1824125	EMNİYET VALFİ	2					
5	S1824166	KEÇE TAKIMI	2					
6	S1824114	KEÇE TAKIMI	1					
7	S1824132	KEÇE TAKIMI	1					
8	S1824080	KAPAK	2					

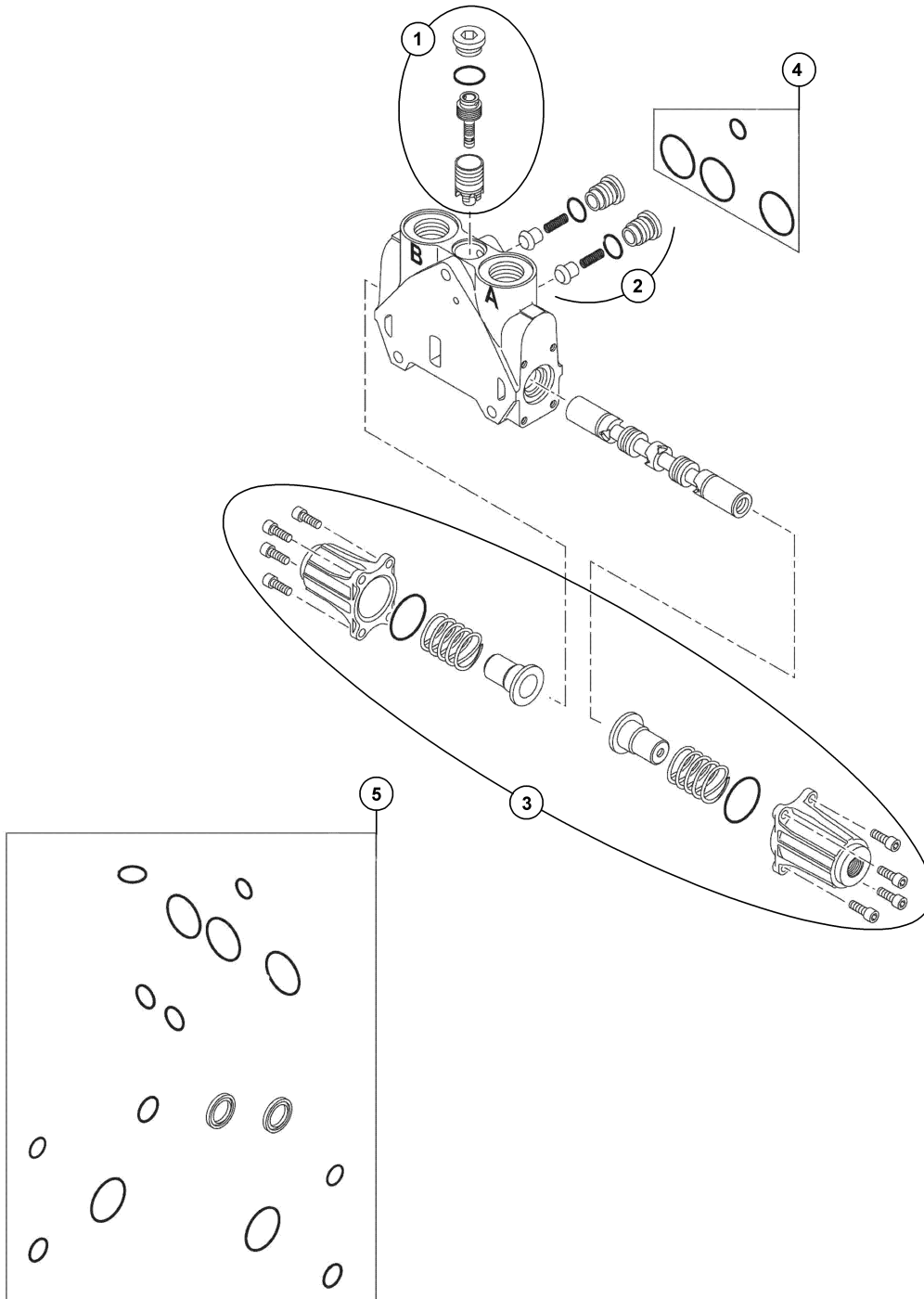
KAZICI KUMANDA VALFİ- DÖNÜŞ SİLİNDİRİ KONTROL BLOĞU, JOYSTICK (TİP B)
BACKHOE CONTROL VALVE-SLEW SWING RAM CONTROL BLOCK, JOYSTICK (TYPE



**KAZICI KUMANDA VALFİ- DÖNÜŞ SİLİNDİRİ KONTROL BLOĞU, JOYSTICK (TİP B)
BACKHOE CONTROL VALVE-SLEW SWING RAM CONTROL BLOCK, JOYSTICK (TYPE**

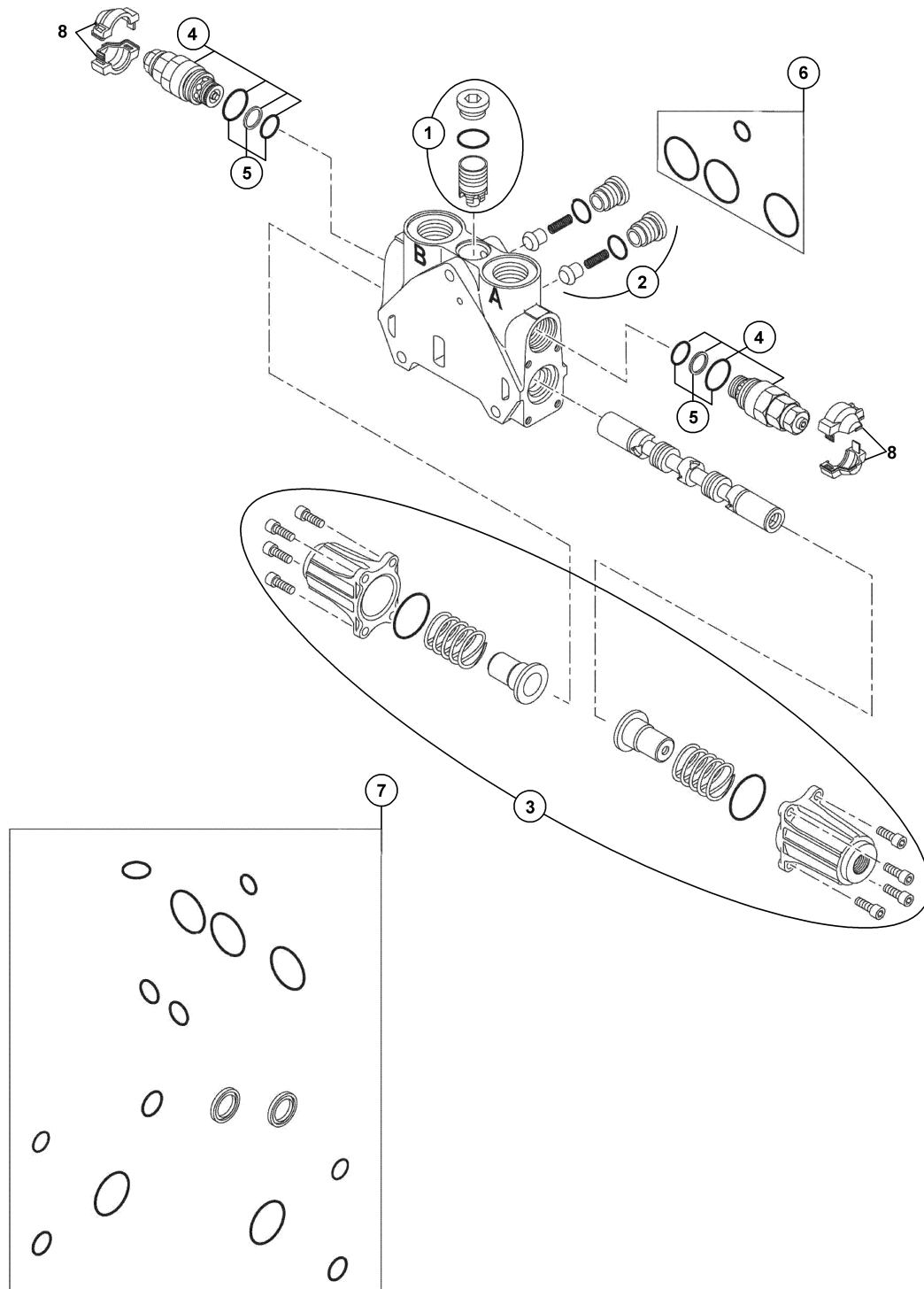
No	Parça No	Parça Adı	Adet	S.K.	Bas.S.N	Bit.S.N	Y.K.	Not
No	Part no	Description	Qty	SC	S/N from	S/N to	ICA	Note
0	S1824146	DÖNÜŞ SİLİNDİRİ KONTROL BLOĞU	1					
1	S1824131	KİT, BASINÇ KOMPANSATÖRÜ	1					
2	S1824112	ÇEK VALF TAKIMI	1					
3	S1824189	KUMANDA DİLİMİ SÜRGÜ KİTİ	1					
4	S1824125	EMNİYET VALFİ	2					
5	S1824166	KEÇE TAKIMI	2					
6	S1824114	KEÇE TAKIMI	1					
7	S1824188	KEÇE TAKIMI	1					
8	S1824080	KAPAK	2					

**KAZICI KUMANDA VALFİ- AYAK SİLİNDİRİ KONTROL BLOĞU, JOYSTICK (TİP B)
BACKHOE CONTROL VALVE-STABILIZER RAM CONTROL BLOCK, JOYSTICK (TYPE**



**KAZICI KUMANDA VALFİ- AYAK SİLİNDİRİ KONTROL BLOĞU, JOYSTICK (TİP B)
BACKHOE CONTROL VALVE-STABILIZER RAM CONTROL BLOCK, JOYSTICK (TYPE**

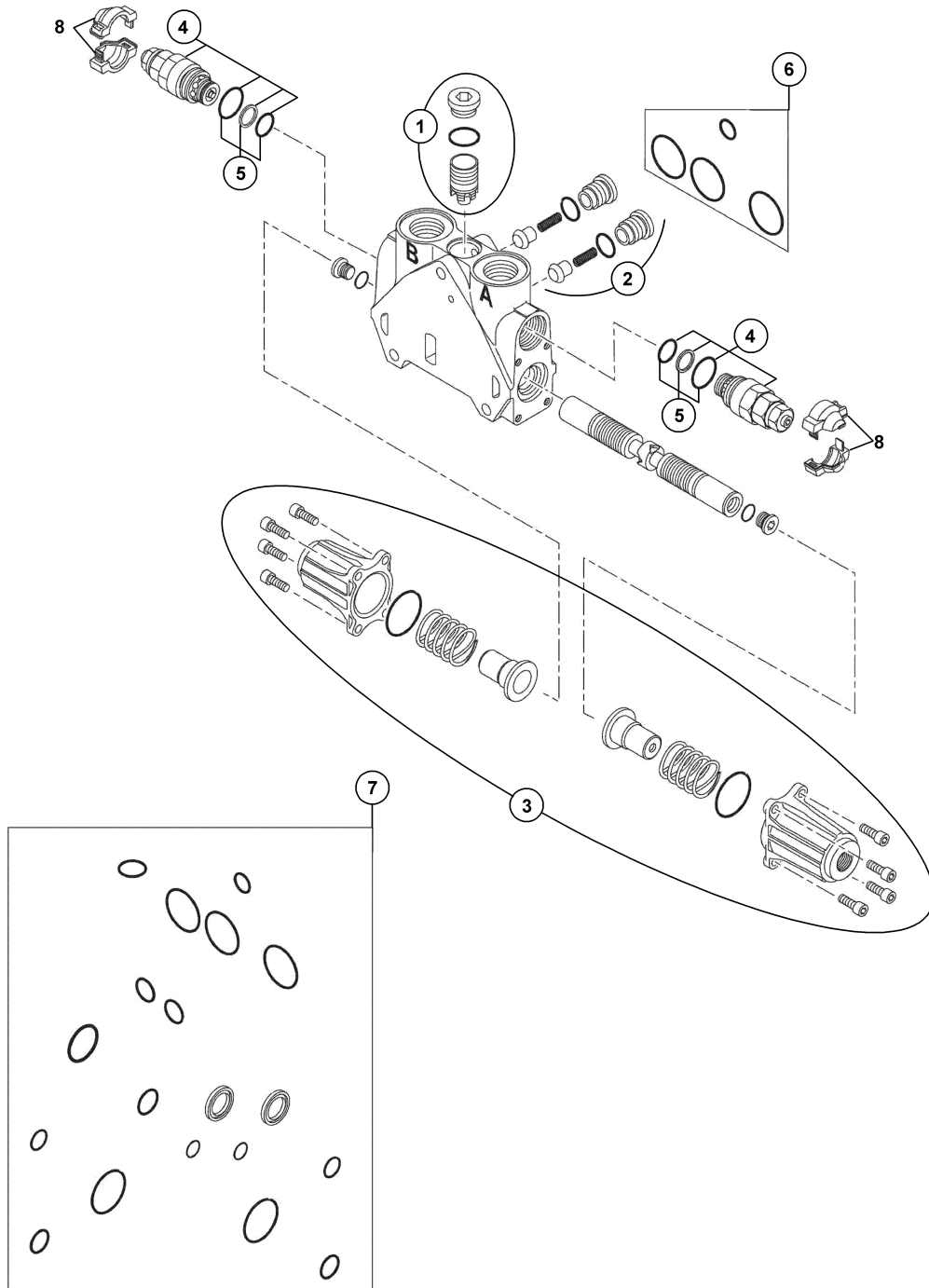
No	Parça No	Parça Adı	Adet	S.K.	Bas.S.N	Bit.S.N	Y.K.	Not
No	Part no	Description	Qty	SC	S/N from	S/N to	ICA	Note
0	S1824147	AYAK SİLİNDİR DİLİMİ, KAZICI VALFİ	1					
1	S1824111	KİT, BASINÇ KOMPANSATÖRÜ	1					
2	S1824112	ÇEK VALF TAKIMI	1					
3	S1824189	KUMANDA DİLİMİ SÜRGÜ KİTİ	1					
4	S1824114	KEÇE TAKIMI	1					
5	S1824132	KEÇE TAKIMI	1					

**KAZICI KUMANDA VALFİ- KIVIRICI SİLİNDİR KONTROL BLOĞU, JOYSTICK (TİP B)
BACKHOE CONTROL VALVE BUCKET RAM CONTROL BLOCK, JOYSTICK (TYPE B)**

**KAZICI KUMANDA VALFİ- KIVIRICI SİLİNDİR KONTROL BLOĞU, JOYSTICK (TİP B)
BACKHOE CONTROL VALVE BUCKET RAM CONTROL BLOCK, JOYSTICK (TYPE B)**

No	Parça No	Parça Adı	Adet	S.K.	Bas.S.N	Bit.S.N	Y.K.	Not
No	Part no	Description	Qty	SC	S/N from	S/N to	ICA	Note
0	S1824148	KEPÇE SİLİNDİRİ DİLİMİ, KAZICI VALFİ	1					
1	S1824131	KİT, BASINÇ KOMPANSATÖRÜ	1					
2	S1824112	ÇEK VALF TAKIMI	1					
3	S1824189	KUMANDA DİLİMİ SÜRGÜ KİTİ	1					
4	S1824125	EMNİYET VALFİ	2					
5	S1824166	KEÇE TAKIMI	2					
6	S1824114	KEÇE TAKIMI	1					
7	S1824132	KEÇE TAKIMI	1					
8	S1824080	KAPAK	2					

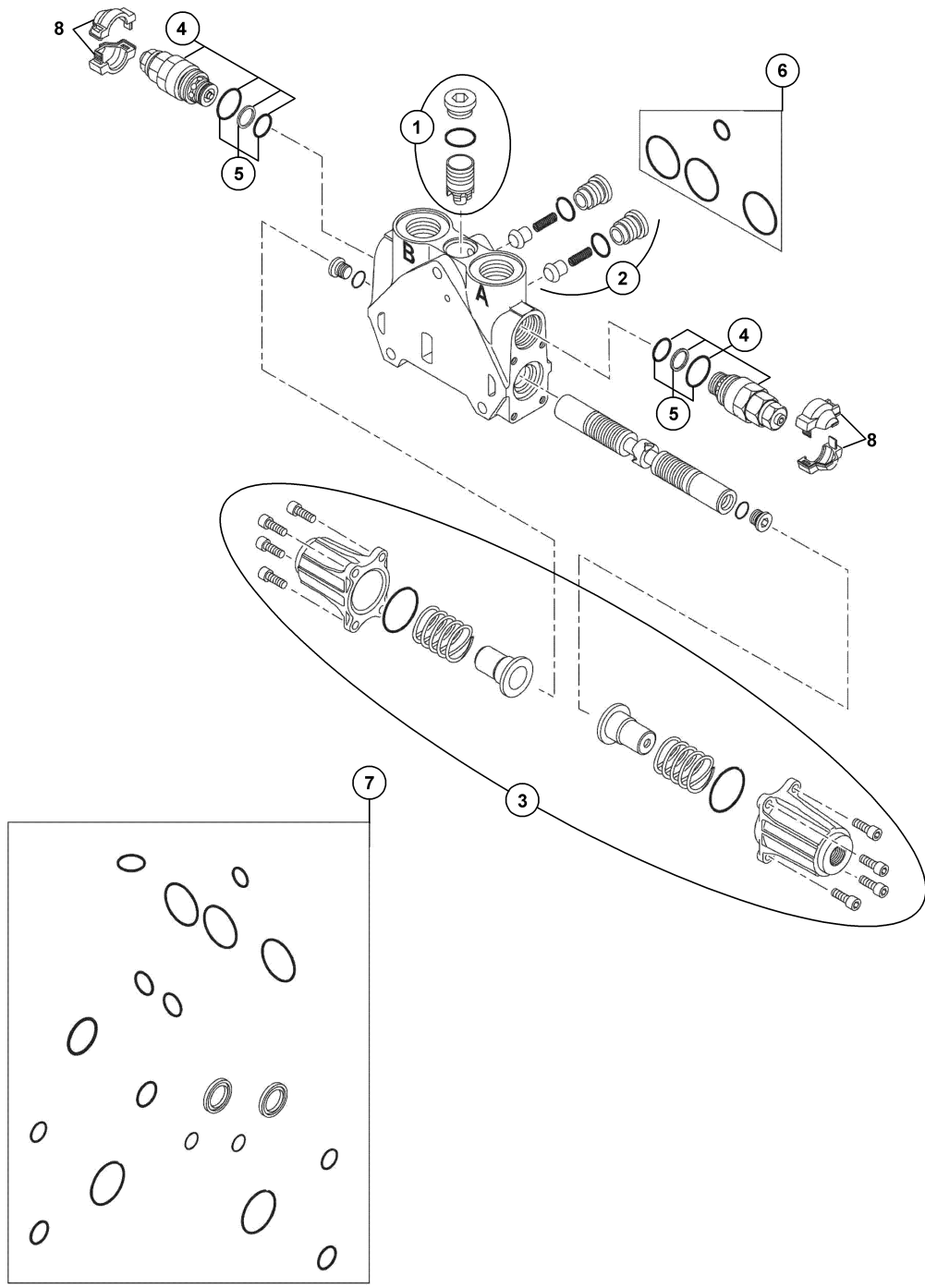
KAZICI KUMANDA VALFİ BOM KONTROL BLOĞU, JOYSTICK (TİP B)
BACKHOE CONTROL VALVE BOOM CONTROL BLOCKS, JOYSTICK (TYPE B)



KAZICI KUMANDA VALFİ BOM KONTROL BLOĞU, JOYSTICK (TİP B)
BACKHOE CONTROL VALVE BOOM CONTROL BLOCKS, JOYSTICK (TYPE B)

No	Parça No	Parça Adı	Adet	S.K.	Bas.S.N	Bit.S.N	Y.K.	Not
No	Part no	Description	Qty	SC	S/N from	S/N to	ICA	Note
0	S1824149	ARM- BOM-TELESKOPIK KONTROL BLOĞU	1					
1	S1824111	KİT, BASINÇ KOMPANSATÖRÜ	1					
2	S1824127	ÇEK VALF TAKIMI	1					
3	S1824189	KUMANDA DİLİMİ SÜRGÜ KİTİ	1					
4	S1824125	EMNİYET VALFİ	2					
5	S1824166	KEÇE TAKIMI	2					
6	S1824114	KEÇE TAKIMI	1					
7	S1824132	KEÇE TAKIMI	1					
8	S1824080	KAPAK	2					

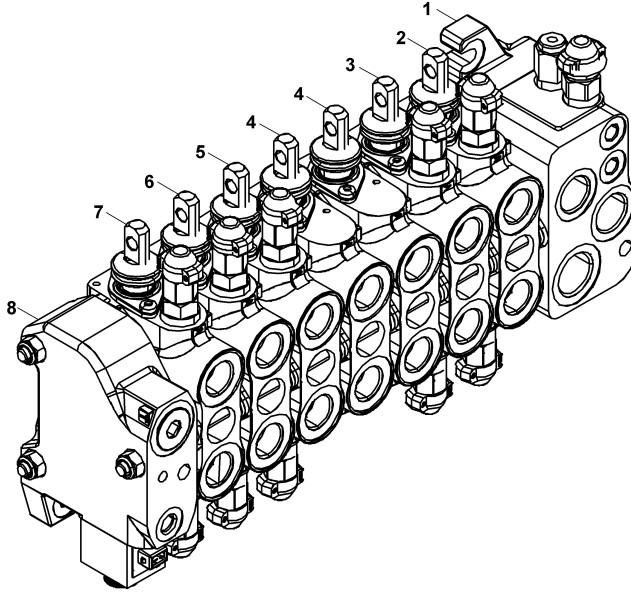
KAZICI KUMANDA VALFİ TELESKOPIK KONTROL BLOĞU, JOYSTICK (TİP B) BACKHOE CONTROL VALVE TELESCOPIC CONTROL BLOCKS, JOYSTICK (TYPE B)



**KAZICI KUMANDA VALFİ TELESKOPIK KONTROL BLOĞU, JOYSTICK (TİP B)
BACKHOE CONTROL VALVE TELESCOPIC CONTROL BLOCKS, JOYSTICK (TYPE B)**

No	Parça No	Parça Adı	Adet	S.K.	Bas.S.N	Bit.S.N	Y.K.	Not
No	Part no	Description	Qty	SC	S/N from	S/N to	ICA	Note
0	S1824162	ARM- BOM-TELESKOPIK KONTROL BLOĞU	1					
1	S1824111	KİT, BASINÇ KOMPANSATÖRÜ	1					
2	S1824127	ÇEK VALF TAKIMI	1					
3	S1824189	KUMANDA DİLİMİ SÜRGÜ KİTİ	1					
4	S1824125	EMNİYET VALFİ	2					
5	S1824166	KEÇE TAKIMI	2					
6	S1824114	KEÇE TAKIMI	1					
7	S1824132	KEÇE TAKIMI	1					
8	S1824080	KAPAK	2					

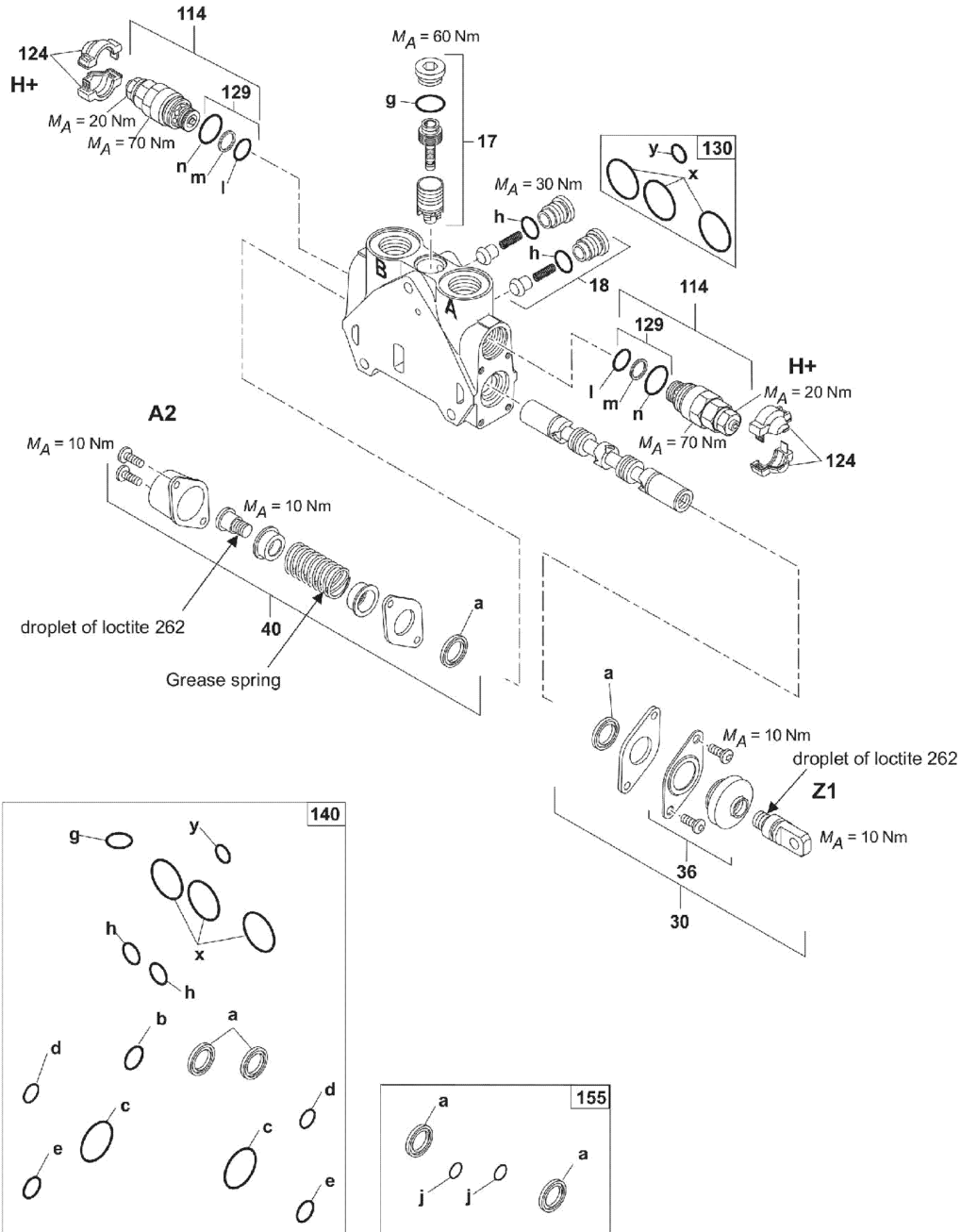
KAZICI KUMANDA VALFİ, LEVYELİ (PİSTONLU POMPA & TİP B)
BACKHOE CONTROL VALVE, LEVERS (PISTON PUMP & TYPE B)



**KAZICI KUMANDA VALFİ, LEVYELİ (PİSTONLU POMPA & TİP B)
BACKHOE CONTROL VALVE, LEVERS (PISTON PUMP & TYPE B)**

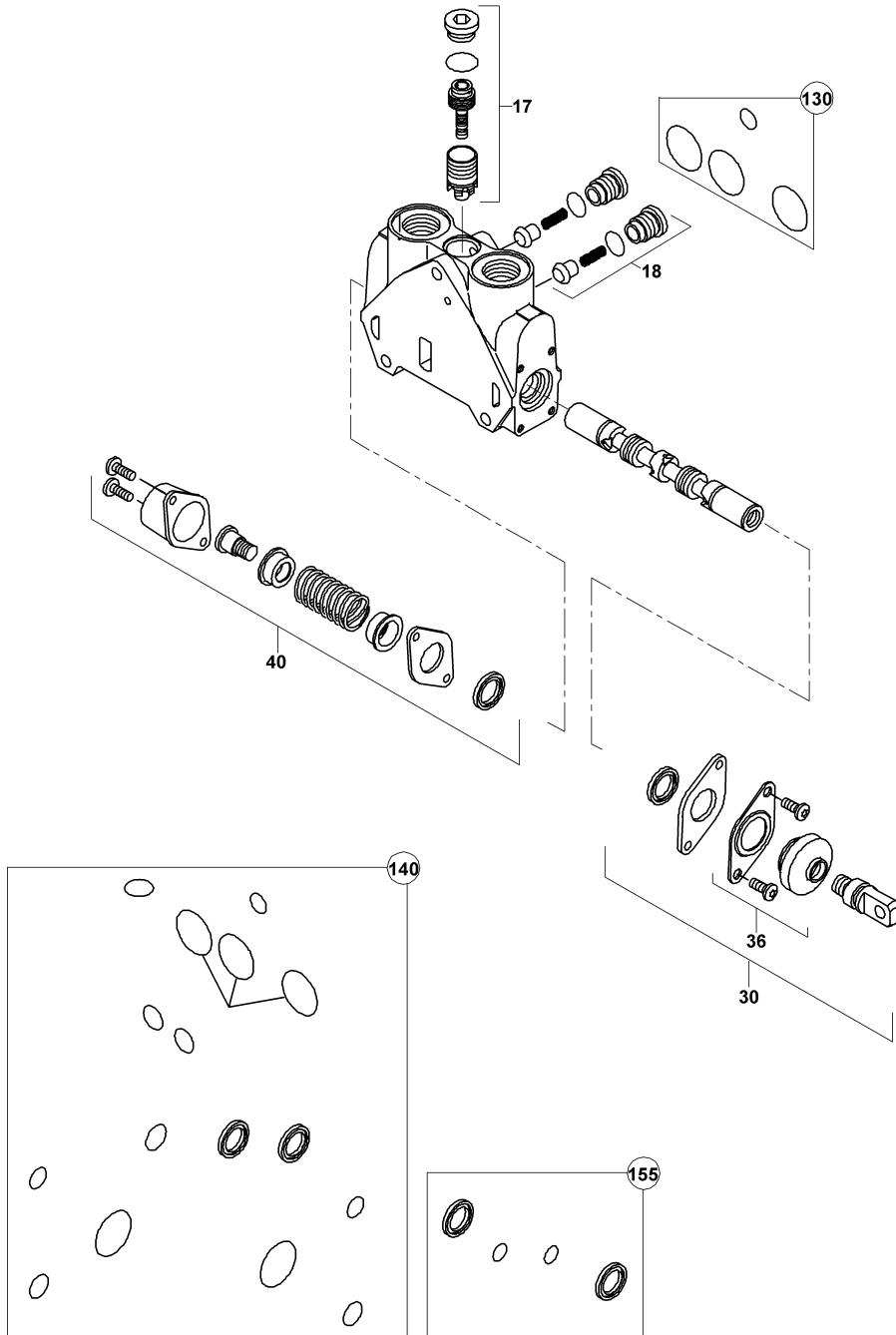
No	Parça No	Parça Adı	Adet	S.K.	Bas.S.N	Bit.S.N	Y.K.	Not
No	Part no	Description	Qty	SC	S/N from	S/N to	ICA	Note
0	F1824100	KAZICI KUMANDA VALFİ, LEVYELİ	1					
1	S1824168	GİRİŞ BLOĞU, KAZICI KUMANDA VALFİ	1					G040.07.05
2	S1824169	DEVİRİCİ SİLİNDİR KONTROL BLOĞU	1					G040.07.06
3	S1824172	DÖNÜŞ SİLİNDİRİ KONTROL BLOĞU	1					G040.07.09
4	S1824156	AYAK SİLİNDİRİ KONTROL BLOĞU	2					G040.07.03
5	S1824173	KIVIRICI SİLİNDİR KONTROL BLOĞU	1					G040.07.08
6	S1824170	KALDIRICI SİLİNDİR KONTROL BLOĞU	1					G040.07.07
7	S1824171	TELESKOPIK SİLİNDİR KONTROL BLOĞU	1					G040.07.02
8	S1824124	ÇIKIŞ BLOĞU, KAZICI KUMANDA VALFİ	1					G040.07.04

TELESKOPIK SİLİNDİR KONTROL BLOĞU, LEVYELİ (PİSTONLU POMPA & TİP B) TELESCOPIC RAM CONTROL BLOCK, LEVERS (PISTON PUMP & TYPE B)



**TELESKOPIK SİLİNDİR KONTROL BLOĞU, LEVYELİ (PİSTONLU POMPA & TİP B)
TELESCOPIC RAM CONTROL BLOCK, LEVERS (PISTON PUMP & TYPE B)**

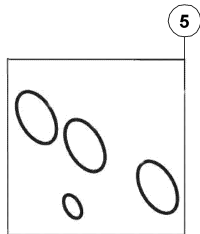
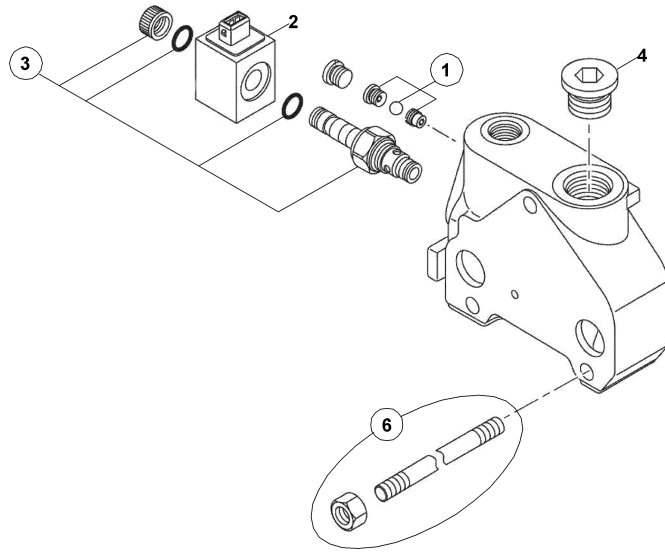
No	Parça No	Parça Adı	Adet	S.K.	Bas.S.N	Bit.S.N	Y.K.	Not
No	Part no	Description	Qty	SC	S/N from	S/N to	ICA	Note
0	S1824171	TELESKOPIK SİLİNDİR KONTROL BLOĞU	1					
17	S1824111	KİT, BASINÇ KOMPANSATÖRÜ	1					
18	S1824112	ÇEK VALF TAKIMI	1					
30	S1824122	KİT, MEKANİK KUMANDA	1					
36	S1824109	KÖRÜK KOMPLESİ	1					
40	S1824165	KİT, KAPAK	1					
114	S1824125	EMNİYET VALFİ	2					
124	S1824080	KAPAK	2					
129	S1824166	KEÇE TAKIMI	2					
130	S1824114	KEÇE TAKIMI	1					
140	S1824132	KEÇE TAKIMI	1					
155	S1824133	KEÇE TAKIMI	1					

**AYAK SİLİNDİRİ KONTROL BLOĞU, LEVYELİ (PİSTONLU POMPA & TİP B)
STABILIZER RAM CONTROL BLOCK, LEVERS (PISTON PUMP & TYPE B)**

**AYAK SİLİNDİRİ KONTROL BLOĞU, LEVYELİ (PİSTONLU POMPA & TİP B)
STABILIZER RAM CONTROL BLOCK, LEVERS (PISTON PUMP & TYPE B)**

No	Parça No	Parça Adı	Adet	S.K.	Bas.S.N	Bit.S.N	Y.K.	Not
No	Part no	Description	Qty	SC	S/N from	S/N to	ICA	Note
0	S1824156	AYAK SİLİNDİRİ KONTROL BLOĞU	1					
17	S1824111	KİT, BASINÇ KOMPANSATÖRÜ	1					
18	S1824112	ÇEK VALF TAKIMI	1					
30	S1824122	KİT, MEKANİK KUMANDA	1					
36	S1824109	KÖRÜK KOMPLESİ	1					
40	S1824165	KİT, KAPAK	1					
130	S1824114	KEÇE TAKIMI	1					
140	S1824132	KEÇE TAKIMI	1					
155	S1824133	KEÇE TAKIMI	1					

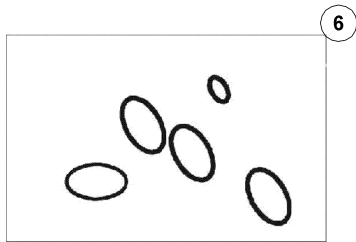
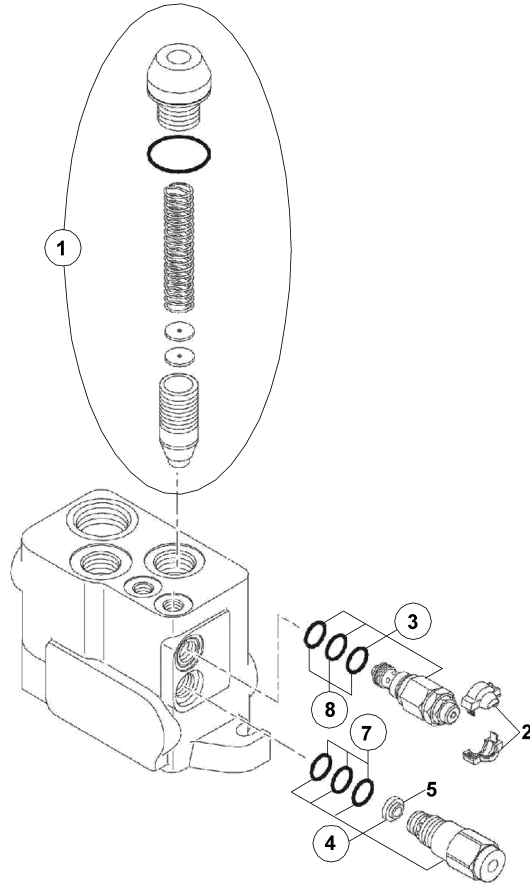
KAZICI KUMANDA VALFİ ÇIKIŞ BLOĞU, LEVYELİ (PİSTONLU POMPA & TİP B)
BACKHOE CONTROL VALVE OUTLET BLOCK, LEVERS (PISTON PUMP & TYPE B)



**KAZICI KUMANDA VALFİ ÇIKIŞ BLOĞU, LEVYELİ (PİSTONLU POMPA & TİP B)
BACKHOE CONTROL VALVE OUTLET BLOCK, LEVERS (PISTON PUMP & TYPE B)**

No	Parça No	Parça Adı	Adet	S.K.	Bas.S.N	Bit.S.N	Y.K.	Not
No	Part no	Description	Qty	SC	S/N from	S/N to	ICA	Note
0	S1824124	ÇIKIŞ BLOĞU, KAZICI KUMANDA VALFİ	1					
1	S1824186	KISICI TAKIMI	1					
2	S1824184	BOBİN	1					
3	S1824183	KİT, 2 YOLLU VALF	1					
4	S1824060	TAPA	1					
5	S1824114	KEÇE TAKIMI	1					
6	S1824181	ÇEK VALF TAKIMI	3					

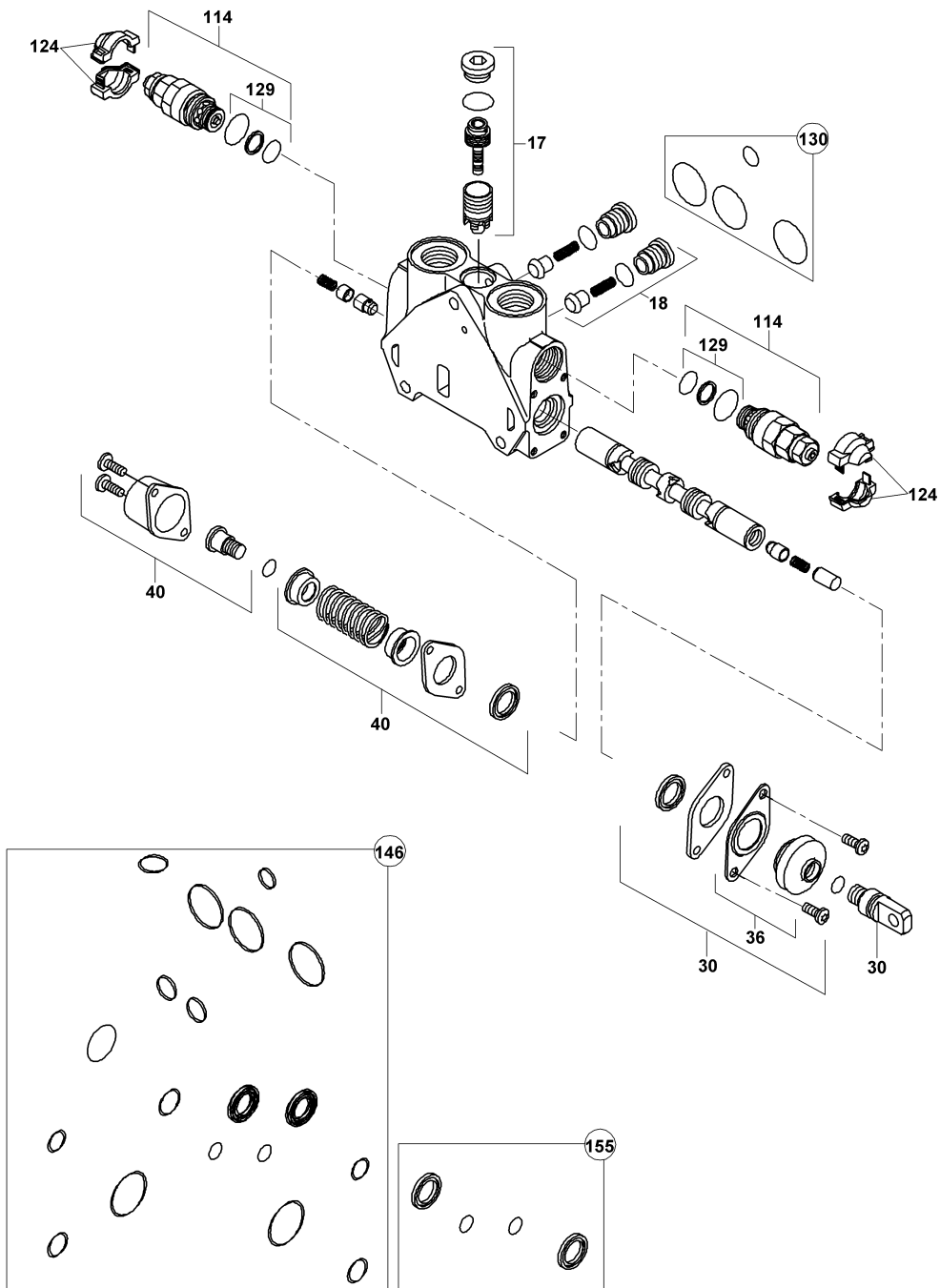
KAZICI KUMANDA VALFİ GİRİŞ BLOĞU, LEVYELİ (PİSTONLU POMPA & TİP B)
BACKHOE CONTROL VALVE INLET BLOCK, LEVERS (PISTON PUMP & TYPE B)



**KAZICI KUMANDA VALFİ GİRİŞ BLOĞU, LEVYELİ (PİSTONLU POMPA & TİP B)
BACKHOE CONTROL VALVE INLET BLOCK, LEVERS (PISTON PUMP & TYPE B)**

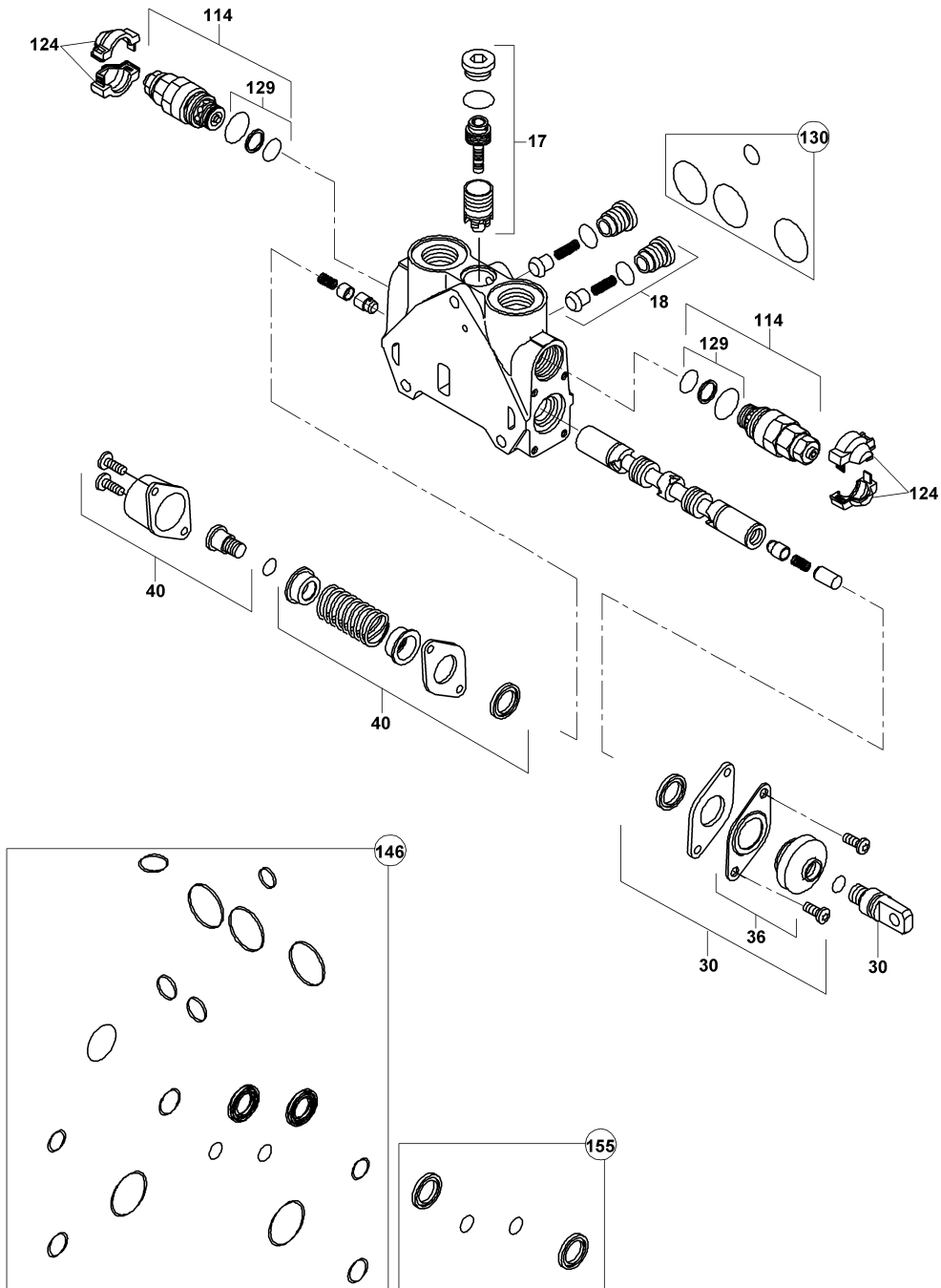
No	Parça No	Parça Adı	Adet	S.K.	Bas.S.N	Bit.S.N	Y.K.	Not
No	Part no	Description	Qty	SC	S/N from	S/N to	ICA	Note
0	S1824168	GİRİŞ BLOĞU, KAZICI KUMANDA VALFİ	1					
1	S1824161	AYAR KİTİ	1					
2	S1824080	KAPAK	1					
3	S1824178	EMNİYET VALFİ	1					
4	S1824179	REGÜLATÖR KOMPLESİ, POMPA	1					
5	S1824177	FİLTRE	1					
6	S1824085	KEÇE TAKIMI	1					
7	S1824175	KEÇE TAKIMI	1					
8	S1824176	KEÇE TAKIMI	1					

**DEVİRİCİ SİLİNDİR KONTROL BLOĞU, LEVYELİ (PİSTONLU POMPA & TİP B)
DIPPER RAM CONTROL BLOCK, LEVERS (PISTON PUMP & TYPE B)**



**DEVİRİCİ SİLİNDİR KONTROL BLOĞU, LEVYELİ (PİSTONLU POMPA & TİP B)
DIPPER RAM CONTROL BLOCK, LEVERS (PISTON PUMP & TYPE B)**

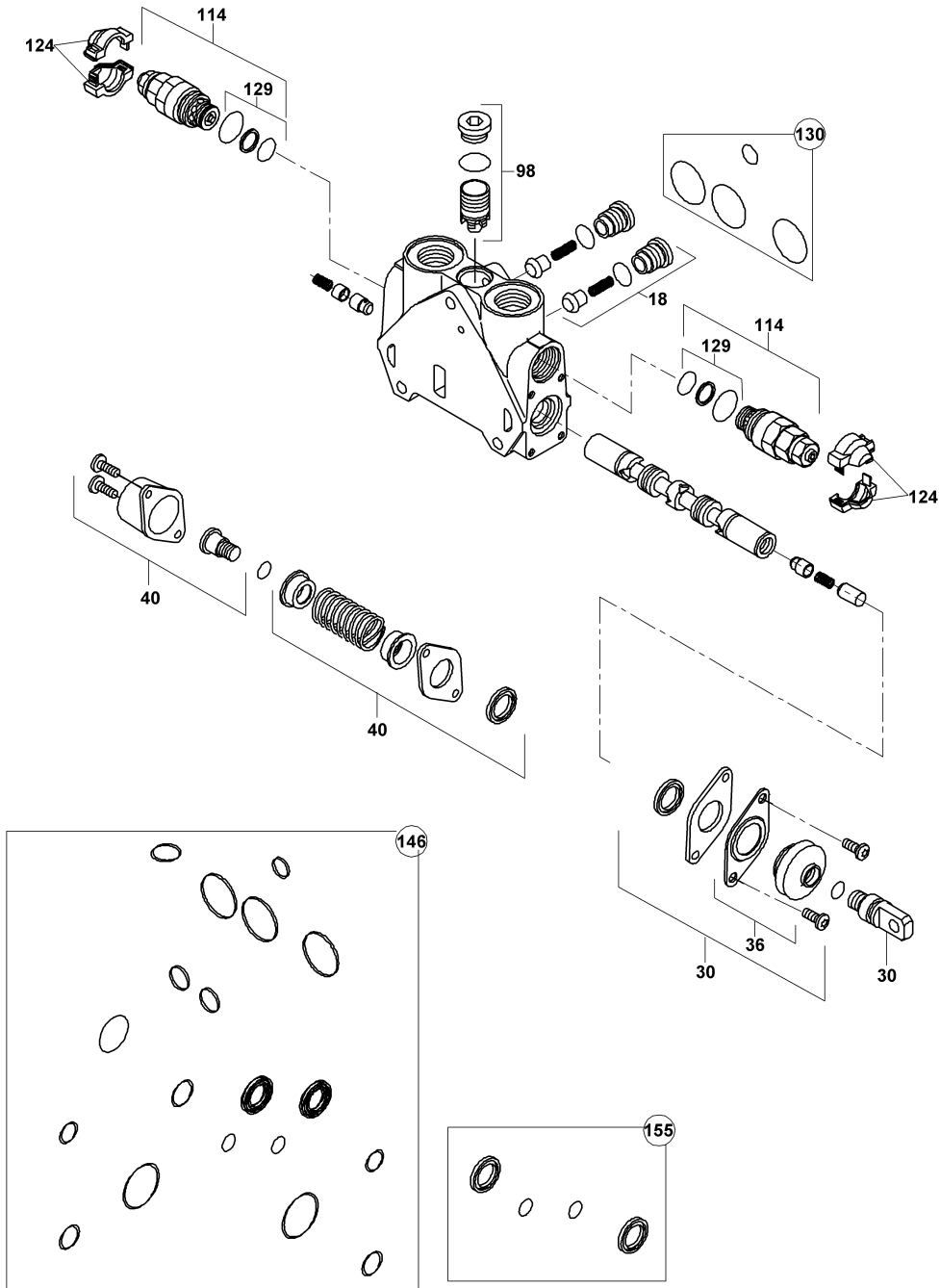
No	Parça No	Parça Adı		Adet	S.K.	Bas.S.N	Bit.S.N	Y.K.	Not
No	Part no		Description	Qty	SC	S/N from	S/N to	ICA	Note
0	S1824169	DEVİRİCİ SİLİNDİR KONTROL BLOĞU	DIPPER RAM CONTROL BLOCK	1					
17	S1824111	KİT, BASINÇ KOMPANSATÖRÜ	PRESSURE COMPENSATOR KIT	1					
18	S1824112	ÇEK VALF TAKIMI	CHECK VALVE KIT	1					
30	S1824122	KİT, MEKANİK KUMANDA	MECHANIC OPERATION KIT	1					
36	S1824109	KÖRÜK KOMPLESİ	BOOT ASS'Y	1					
40	S1824165	KİT, KAPAK	SPOOL RETURN OPERATION	1					
114	S1824125	EMNİYET VALFİ	RELIEF VALVE	2					
124	S1824080	KAPAK	HALF COVER	2					
129	S1824166	KEÇE TAKIMI	SEAL KIT	2					
130	S1824114	KEÇE TAKIMI	SEAL KIT	1					
146	S1824188	KEÇE TAKIMI	SEAL KIT	1					
155	S1824133	KEÇE TAKIMI	SEAL KIT	1					

**KALDIRICI SİLİNDİR KONTROL BLOĞU, LEVYELİ (PİSTONLU POMPA & TİP B)
LIFT RAM CONTROL BLOCK, LEVERS (PISTON PUMP & TYPE B)**

**KALDIRICI SİLİNDİR KONTROL BLOĞU, LEVYELİ (PİSTONLU POMPA & TİP B)
LIFT RAM CONTROL BLOCK, LEVERS (PISTON PUMP & TYPE B)**

No	Parça No	Parça Adı	Description	Adet	S.K.	Bas.S.N	Bit.S.N	Y.K.	Not
No	Part no			Qty	SC	S/N from	S/N to	ICA	Note
0	S1824170	KALDIRICI SİLİNDİR KONTROL BLOĞU	LIFT RAM CONTROL BLOCK	1					
17	S1824111	KİT, BASINÇ KOMPANSATÖRÜ	PRESSURE COMPENSATOR KIT	1					
18	S1824112	ÇEK VALF TAKIMI	CHECK VALVE KIT	1					
30	S1824122	KİT, MEKANİK KUMANDA	MECHANIC OPERATION KIT	1					
36	S1824109	KÖRÜK KOMPLESİ	BOOT ASS'Y	1					
40	S1824165	KİT, KAPAK	SPOOL RETURN OPERATION	1					
114	S1824125	EMNİYET VALFİ	RELIEF VALVE	2					
124	S1824080	KAPAK	HALF COVER	2					
129	S1824166	KEÇE TAKIMI	SEAL KIT	2					
130	S1824114	KEÇE TAKIMI	SEAL KIT	1					
146	S1824188	KEÇE TAKIMI	SEAL KIT	1					
155	S1824133	KEÇE TAKIMI	SEAL KIT	1					

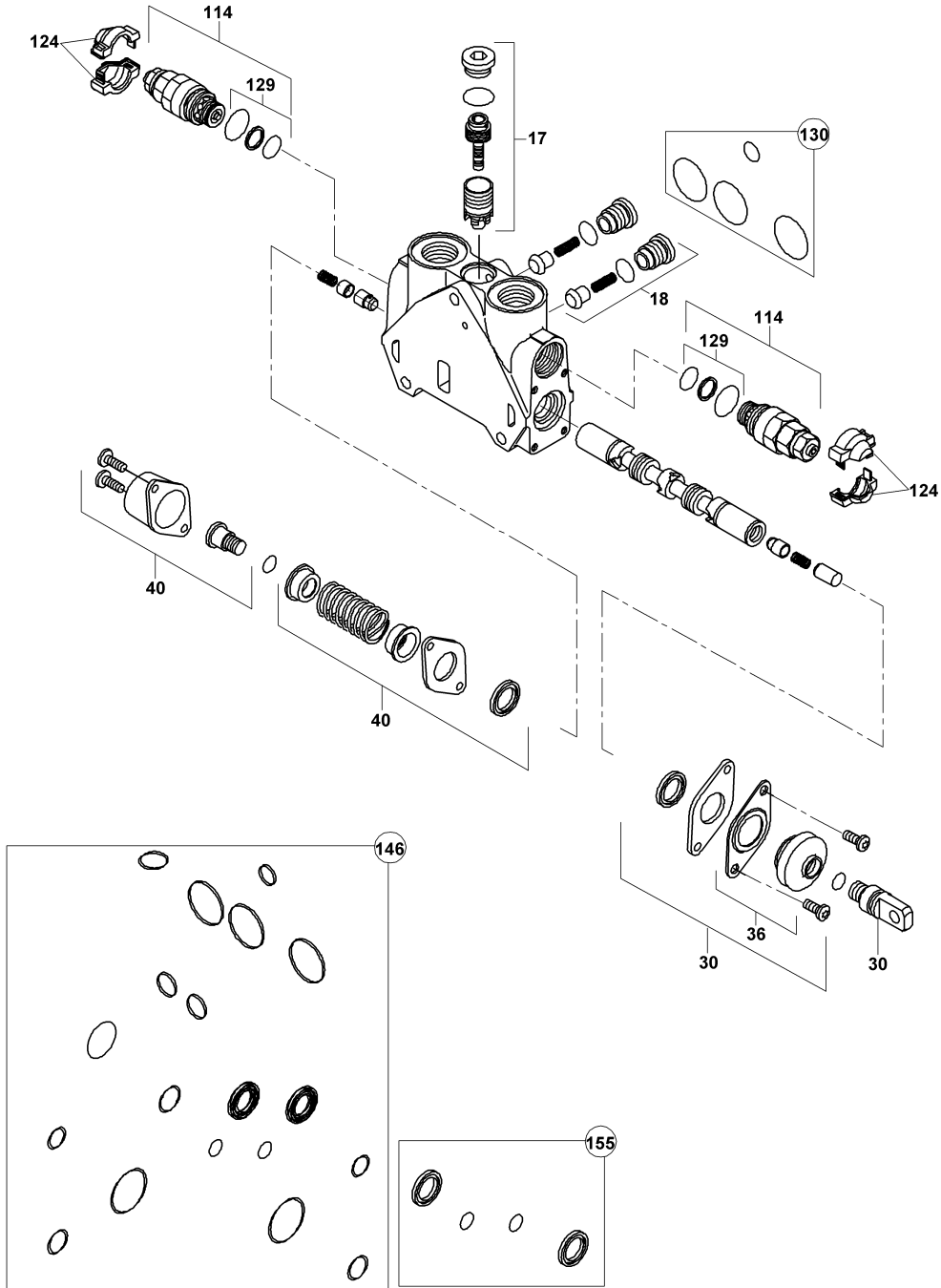
KIVIRICI SİLİNDİR KONTROL BLOĞU, LEVYELİ (PİSTONLU POMPA & TİP B) BUCKET RAM CONTROL BLOCK, LEVERS (PISTON PUMP & TYPE B)



**KIVIRICI SİLİNDİR KONTROL BLOĞU, LEVYELİ (PİSTONLU POMPA & TİP B)
BUCKET RAM CONTROL BLOCK, LEVERS (PISTON PUMP & TYPE B)**

No	Parça No	Parça Adı	Adet	S.K.	Bas.S.N	Bit.S.N	Y.K.	Not
No	Part no	Description	Qty	SC	S/N from	S/N to	ICA	Note
0	S1824173	KIVIRICI SİLİNDİR KONTROL BLOĞU	1					
18	S1824112	ÇEK VALF TAKIMI	1					
30	S1824122	KİT, MEKANİK KUMANDA	1					
36	S1824109	KÖRÜK KOMPLESİ	1					
40	S1824165	KİT, KAPAK	1					
98	S1824131	KİT, BASINÇ KOMPANSATÖRÜ	1					
114	S1824125	EMNİYET VALFİ	2					
124	S1824080	KAPAK	2					
129	S1824166	KEÇE TAKIMI	2					
130	S1824114	KEÇE TAKIMI	1					
146	S1824188	KEÇE TAKIMI	1					
155	S1824133	KEÇE TAKIMI	1					

DÖNÜŞ SİLİNDİRİ KONTROL BLOĞU, LEVYELİ (PİSTONLU POMPA & TİP B)
SLEW SWING RAM CONTROL BLOCK, LEVERS (PISTON PUMP & TYPE B)



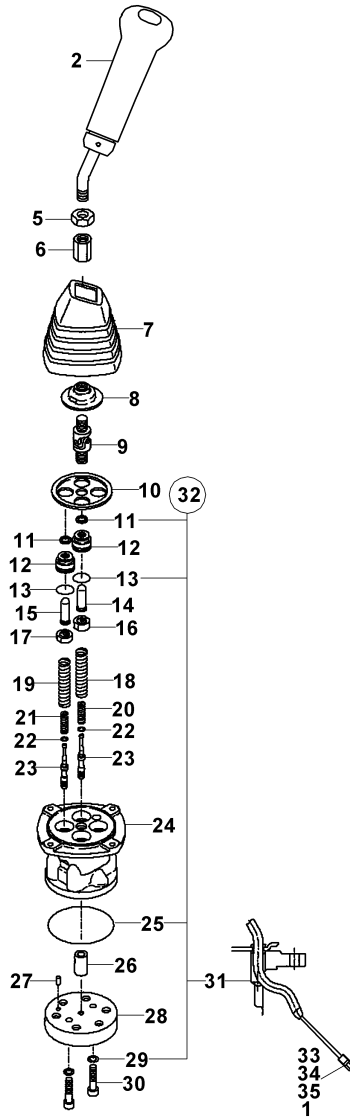
**DÖNÜŞ SİLİNDİRİ KONTROL BLOĞU, LEVYELİ (PİSTONLU POMPA & TİP B)
SLEW SWING RAM CONTROL BLOCK, LEVERS (PISTON PUMP & TYPE B)**

No	Parça No	Parça Adı	Adet	S.K.	Bas.S.N	Bit.S.N	Y.K.	Not
No	Part no	Description	Qty	SC	S/N from	S/N to	ICA	Note
0	S1824172	DÖNÜŞ SİLİNDİRİ KONTROL BLOĞU	1					
17	S1824126	KİT, BASINÇ KOMPANSATÖRÜ	1					
18	S1824112	ÇEK VALF TAKIMI	1					
30	S1824122	KİT, MEKANİK KUMANDA	1					
36	S1824109	KÖRÜK KOMPLESİ	1					
40	S1824165	KİT, KAPAK	1					
114	S1824125	EMNİYET VALFİ	2					
124	S1824080	KAPAK	2					
129	S1824166	KEÇE TAKIMI	2					
130	S1824114	KEÇE TAKIMI	1					
146	S1824188	KEÇE TAKIMI	1					
155	S1824133	KEÇE TAKIMI	1					

JOYSTICK KUMANDA, SAĞ (OP) REMOTE CONTROL VALVE, RIGHT (OP)

12, 15, 17, 19, 21, 22, ve 23' ÜN SÖKÜLMESİ DURUMUNDA BU PARÇALARIN ORJİNAL MONTAJ SIRASINDA OLDUĞUNDAN VE ORJİNAL SÜRGÜ HİZASINDA MONTAJLANDIĞINDAN EMİN OLUNUZ.

IF REMOVING ITEM NUMBERS 12, 15, 17, 19, 21, 22, AND 23 ENSURE THAT THESE ARE KEPT IN ORJINAL ASSEMBLY ORDER ARE ASSEMBLED TO THE ORJINAL SPOOL BORE.



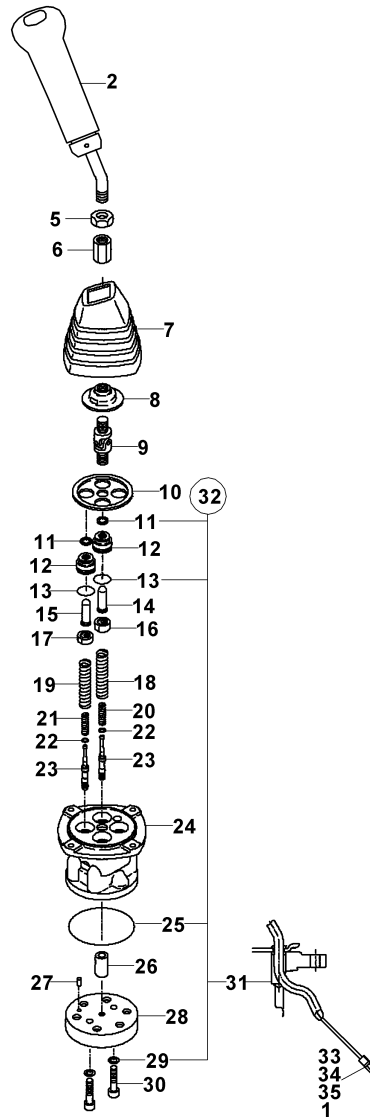
JOYSTICK KUMANDA, SAĞ (OP)
REMOTE CONTROL VALVE, RIGHT (OP)

No	Parça No	Parça Adı	Description	Adet	S.K.	Bas.S.N	Bit.S.N	Y.K.	Not
No	Part no			Qty	SC	S/N from	S/N to	ICA	Note
0	H343200302	JOİSTİK KOMPLE, SAĞ	JOISTIC ASS'Y, R H	1					
1	S1822757	TESİSAT CONTASI	WIRE SEAL	1	SOP				
2	S1822750	TOPUZ	KNOB	1	SOP				
5	S1822725	SOMUN	NUT	1	SOP				
6	S1822726	SOMUN	NUT	1	SOP				
7	S1822737	AKORDİON KÖRÜK	BELLOWS	1	SOP				
8	S1822739	İTİCİ DİSK	PLATE	1	SOP				
9	S1822727	MAFSAL	JOINT	1	SOP				
10	S1822740	KAPAK TUTUCUSU	PLATE	1	SOP				
11	S1822728	KEÇE	SEAL	4	SOP				
12	S1822724	KAPAK	PLUG	4	SOP				
13	S1822710	O-RİNG	O-RING	4	SOP				
14	S1822723	İTİCİ PİM	ROD	2	SOP				
15	S1822722	İTİCİ PİM	ROD	2	SOP				
16	S1822734	YAY TUTUCUSU	SEAT	2	SOP				
17	S1822733	YAY TUTUCUSU	SEAT	2	SOP				
18	S1822732	YAY	SPRING	3	SOP				
19	S1822731	YAY	SPRING	3	SOP				
20	S1822730	YAY	SPRING	2	SOP				
21	S1822729	YAY	SPRING	2	SOP				
22	S1822721	PUL 2	Washer 2	4	SOP				
23	S1822735	VALF SÜRGÜSÜ	SPOOL	4	SOP				
24	S1822745	KORUYUCU	CASING	1	SOP				
25	S1822743	O-RİNG	O-RING	1	SOP				
26	S1822741	BURÇ	BUSH	1	SOP				
27	S1822712	PİM	PIN	1	SOP				
28	S1822744	KAPAK	PLATE	1	SOP				
29	S1822720	PUL	Washer 2	2	SOP				
30	S1822742	CİVATA	SCREW	2	SOP				
31	S1822738	BURÇ	BUSH	1	SOP				
32	S1822790	TAMİR TAKIMI	SEAL KIT	1	SOP				
33	S1822758	TERMINAL	TERMINAL	2	SOP				
34	S1822755	YUVA	HOUSING	1	SOP				
35	S1822756	KİLİT SACI	DOUBLE LOCK PLATE	1	SOP				

JOYSTICK KUMANDA, SOL (OP) REMOTE CONTROL VALVE, LEFT (OP)

12, 15, 17, 19, 21, 22, ve 23' ÜN SÖKÜLMESİ DURUMUNDA BU PARÇALARIN ORJINAL MONTAJ SIRASINDA OLDUĞUNDAN VE ORJINAL SÜRGÜ HİZASINDA MONTAJLANDIĞINDAN EMİN OLUNUZ.

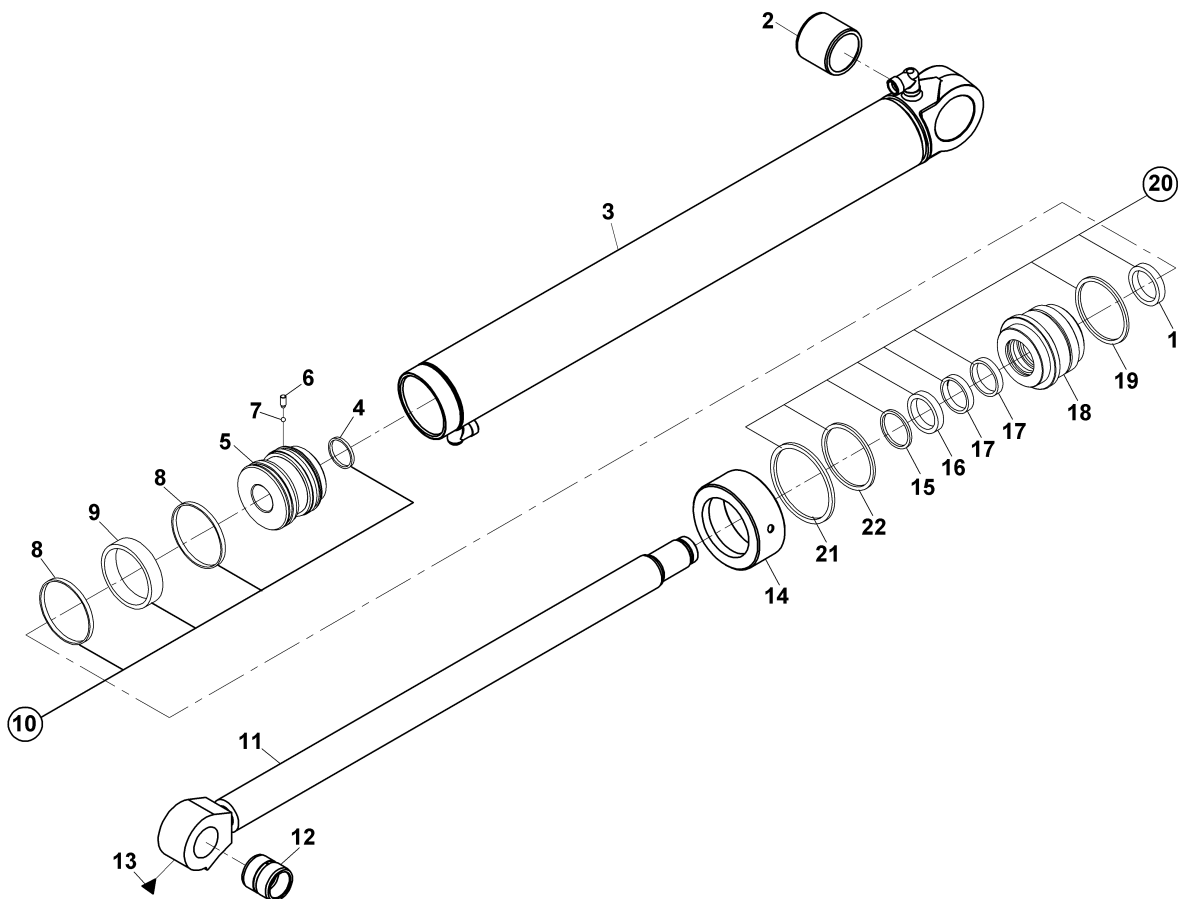
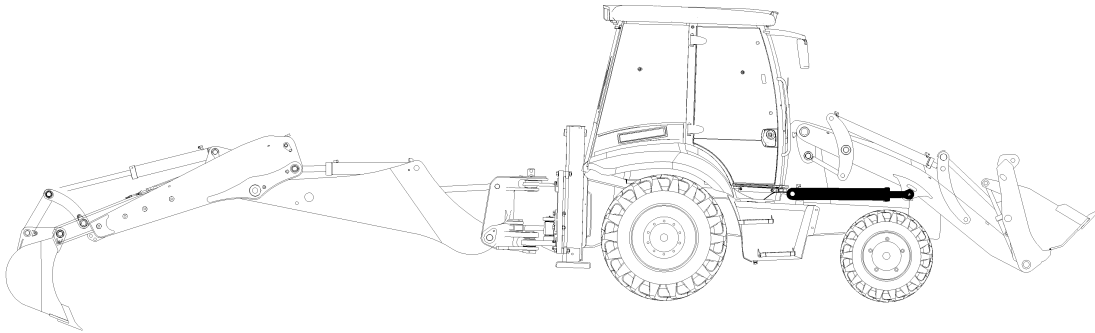
IF REMOVING ITEM NUMBERS 12, 15, 17, 19, 21, 22, AND 23 ENSURE THAT THESE ARE KEPT IN ORJINAL ASSEMBLY ORDER ARE ASSEMBLED TO THE ORJINAL SPOOL BORE.



**JOYSTICK KUMANDA, SOL (OP)
REMOTE CONTROL VALVE, LEFT (OP)**

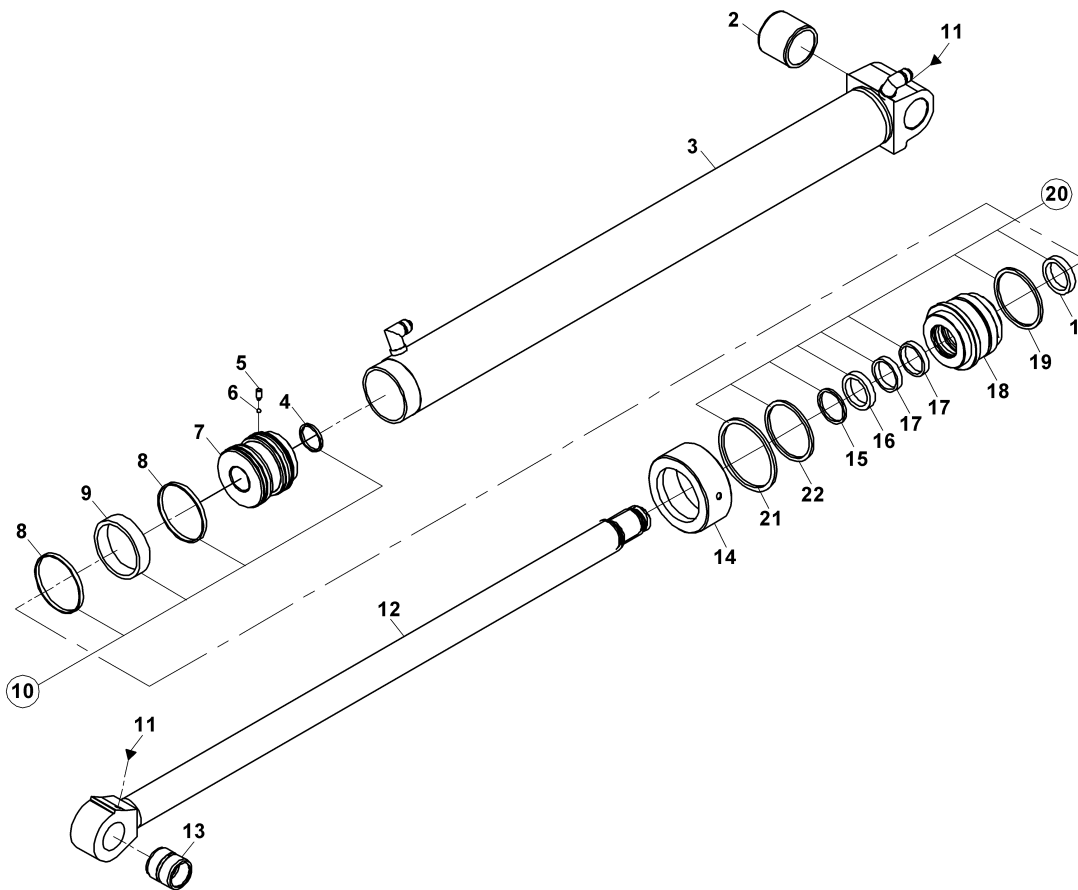
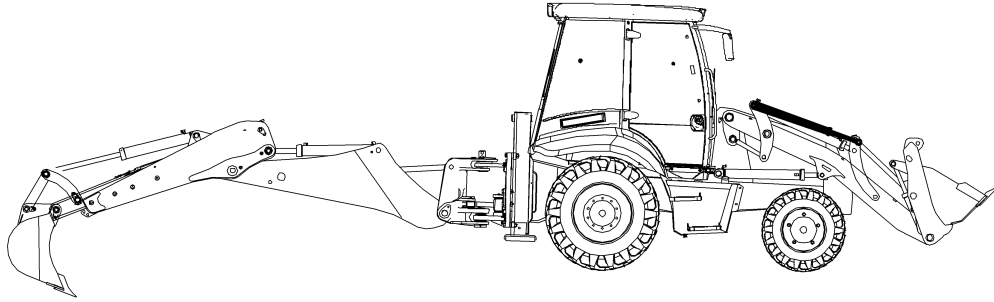
No	Parça No	Parça Adı	Description	Adet	S.K.	Bas.S.N	Bit.S.N	Y.K.	Not
No	Part no			Qty	SC	S/N from	S/N to	ICA	Note
0	H343200902	JOİSTİK KOMPLE, SOL	JOISTIC ASS'Y, L H	1					
1	S1822757	TESİSAT CONTASI	WIRE SEAL	1	SOP				
2	S1822751	TOPUZ	KNOB	1	SOP				
5	S1822725	SOMUN	NUT	1	SOP				
6	S1822726	SOMUN	NUT	1	SOP				
7	S1822737	AKORDİON KÖRÜK	BELLOWS	1	SOP				
8	S1822739	İTİCİ DİSK	PLATE	1	SOP				
9	S1822727	MAFSAL	JOINT	1	SOP				
10	S1822740	KAPAK TUTUCUSU	PLATE	1	SOP				
11	S1822728	KEÇE	SEAL	4	SOP				
12	S1822724	KAPAK	PLUG	4	SOP				
13	S1822710	O-RİNG	O-RING	4	SOP				
14	S1822723	İTİCİ PİM	ROD	2	SOP				
15	S1822722	İTİCİ PİM	ROD	2	SOP				
16	S1822734	YAY TUTUCUSU	SEAT	2	SOP				
17	S1822733	YAY TUTUCUSU	SEAT	2	SOP				
18	S1822732	YAY	SPRING	3	SOP				
19	S1822731	YAY	SPRING	3	SOP				
20	S1822730	YAY	SPRING	2	SOP				
21	S1822729	YAY	SPRING	2	SOP				
22	S1822721	PUL 2	Washer 2	4	SOP				
23	S1822735	VALF SÜRGÜSÜ	SPOOL	4	SOP				
24	S1822745	KORUYUCU	CASING	1	SOP				
25	S1822743	O-RİNG	O-RING	1	SOP				
26	S1822741	BURÇ	BUSH	1	SOP				
27	S1822712	PİM	PIN	1	SOP				
28	S1822744	KAPAK	PLATE	1	SOP				
29	S1822720	PUL	Washer 2	2	SOP				
30	S1822742	CİVATA	SCREW	2	SOP				
31	S1822738	BURÇ	BUSH	1	SOP				
32	S1822790	TAMİR TAKIMI	SEAL KIT	1	SOP				
33	S1822758	TERMINAL	TERMINAL	2	SOP				
34	S1822755	YUVA	HOUSING	1	SOP				
35	S1822756	KİLİT SACI	DOUBLE LOCK PLATE	1	SOP				

KALDIRICI SİLİNDİR, YÜKLEYİCİ, SAĞ LIFT CYLINDER, LOADER, RH



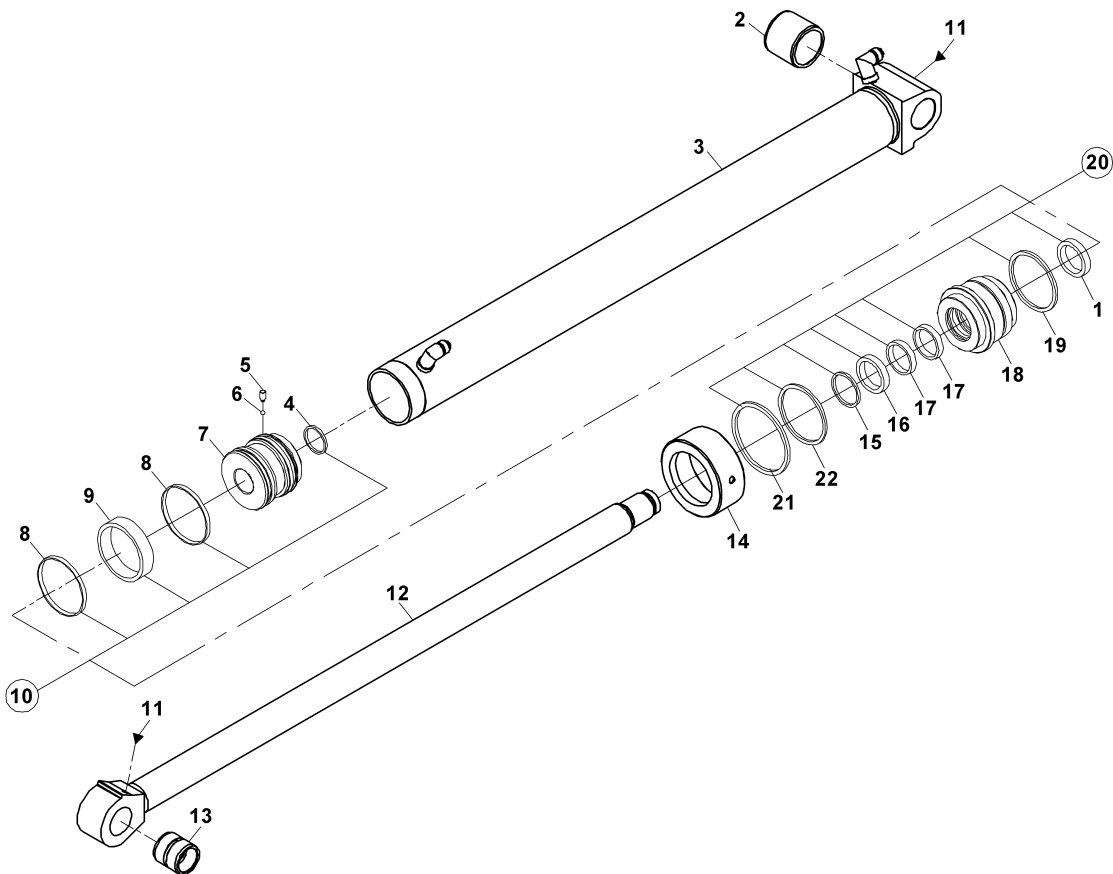
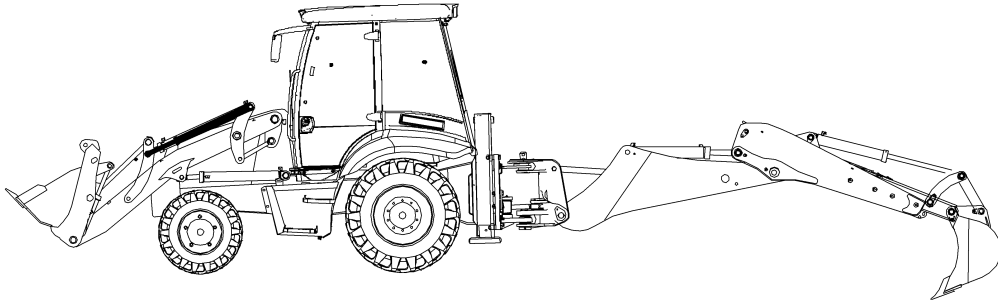
**KALDIRICI SİLİNDİR, YÜKLEYİCİ, SAĞ
LIFT CYLINDER, LOADER, RH**

No	Parça No	Parça Adı	Description	Adet	S.K.	Bas.S.N	Bit.S.N	Y.K.	Not
No	Part no			Qty	SC	S/N from	S/N to	ICA	Note
0	15120500	SİLİNDİR KOMPLESİ, KALDIRICI, YÜKLEYİCİ	CYLINDER ASS'Y, LOADER LIFT	1					
1	N107506506	TAMPON KEÇESİ	U-CAP	1	K1				
2	80201513	SERT BURC	BUSHING	1					
3	20921150	SİLİNDİR BORUSU K.K.	CYLINDER TUBE W.A.	1					
4	N102004935	ORİN-G	ORIN-G	1	K2				
5	20120600	PİSTON	PISTON	1					
6	N043120698	SETSKUR	SETSCREW	1					
7	N099001060	CELİK BİLYA	STEEL BALL	1					
8	N101849065	YATAKLAMA BANDI	GUIDE RING	2	K1				
9	N103709000	PİSTON KEÇESİ	SEAL, PISTON	1	K1				
10	S4880955	PİSTON TAMİR TAKIMI	SEAL KIT, PISTON	1	(K1)				
11	20843210	SİLİNDİR MILİ K.K.	CYLINDER ROD W.A.	1					
12	80201214	BURÇ	BUSHING	1					
13	N081210020	NİPEL, GRES	NIPPLE, GREASE	2					
14	20314090	BOĞAZ KAPAĞI	HEAD COVER	1					
15	N105505805	TOZ KECESİ	SCRAPER	1	K1				
16	N104506013	KEÇE	U-CAP	1	K1				
17	N100505597	YATAKLAMA BANDI	GUIDE RING	2					
18	20214090	BOĞAZ	HEAD, CYLINDER	1					
19	N102008440	BOGAZ O-RİNGİ	O-RING, END CAP	1	K2				
20	S4891233	KEÇE TAKIMI, BOĞAZ	SEAL KIT, HEAD	1	(K2)				
21	N102009931	BOGAZ O-RİNGİ	O-RING, END CAP	1	K2				
22	N102008020	O-RİNG	O-RING	1	K2				

**KEPÇE SİLİNDİRİ, YÜKLEYİCİ, SAĞ
BUCKET CYLINDER, LOADER, RH**

**KEPÇE SİLİNDİRİ, YÜKLEYİCİ, SAĞ
BUCKET CYLINDER, LOADER, RH**

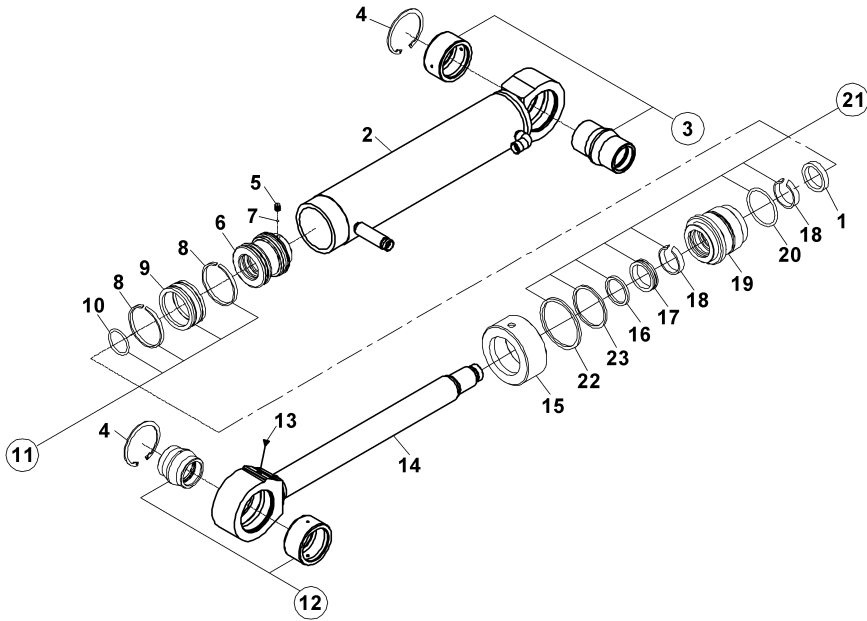
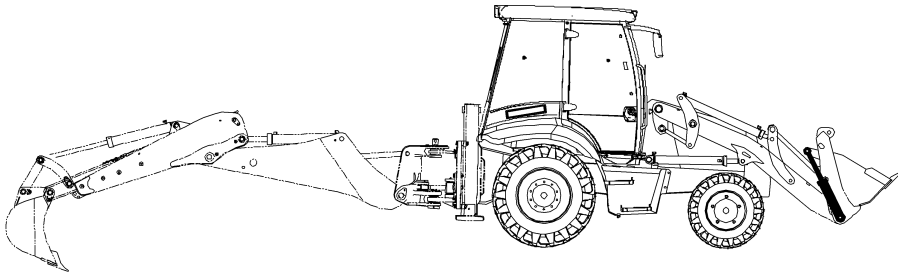
No	Parça No	Parça Adı	Description	Adet	S.K.	Bas.S.N	Bit.S.N	Y.K.	Not
No	Part no			Qty	SC	S/N from	S/N to	ICA	Note
0	15020470	SİLİNDİR, DEVİRİCİ, SAĞ, YÜKLEYİCİ	RAM, SHOVEL, RIGHT - LEFT, LOADER	1					
1	N107506506	TAMPON KEÇESİ	U-CAP	1	K1				
2	80201216	BURÇ	BUSHING	1					
3	20921027	SİLİNDİR BORUSU	CYLINDER	1					
4	N102004935	ORİN-G	ORIN-G	1	K2				
5	N043120686	VİDA	SCREW	1					
6	N099001060	CELİK BİLYA	STEEL BALL	1					
7	20120500	PİSTON	PISTON	1					
8	N101748065	YATAKLAMA BANDI	GUIDE RING	2	K1				
9	N103668000	PİSTON KEÇESİ	SEAL, PISTON	1					
10	S4880830	PİSTON TAMİR TAKIMI	SEAL KIT, PISTON	1	(K1)				
11	N081210020	NİPEL, GRES	NIPPLE, GREASE	2					
12	20843220	MİL	ROD	1					
13	80201214	BURÇ	BUSHING	1					
14	20314080	KAPAK	CAP	1					
15	N105505805	TOZ KECESİ	SCRAPER	1	K1				
16	N104506013	KEÇE	U-CAP	1	K1				
17	N100505597	YATAKLAMA BANDI	GUIDE RING	2					
18	20214080	BOGAZ	CAP, END	1					
19	N102007340	O-RİNG	O-RING	1					
20	S4891220	BOGAZ TAMİR TAKIMI	SEAL KIT, END CAP	1	(K1)				
21	N102007420	O-RİNG	O-RING	1	K1				
22	N102009029	O-RİNG	O-RING	1	K1				

**KEPÇE SİLİNDİRİ, YÜKLEYİCİ, SOL
BUCKET CYLINDER, LOADER, LH**

**KEPÇE SİLİNDİRİ, YÜKLEYİCİ, SOL
BUCKET CYLINDER, LOADER, LH**

No	Parça No	Parça Adı	Description	Adet	S.K.	Bas.S.N	Bit.S.N	Y.K.	Not
No	Part no			Qty	SC	S/N from	S/N to	ICA	Note
0	15020471	SİLİNDİR, DEVİRİCİ, SOL, YÜKLEYİCİ	RAM, SHOVEL, LEFT, LOADER	1					
1	N107506506	TAMPON KEÇESİ	U-CAP	1	K1				
2	80201216	BURÇ	BUSHING	1					
3	20921017	SİLİNDİR BORUSU	CYLINDER	1					
4	N102004935	ORİN-G	ORIN-G	1	K2				
5	N043120686	VİDA	SCREW	1					
6	N099001060	CELİK BİLYA	STEEL BALL	1					
7	20120500	PİSTON	PISTON	1					
8	N101748065	YATAKLAMA BANDI	GUIDE RING	2	K1				
9	N103668000	PİSTON KEÇESİ	SEAL, PISTON	1					
10	S4880830	PİSTON TAMİR TAKIMI	SEAL KIT, PISTON	1	(K1)				
11	N081210020	NİPEL, GRES	NIPPLE, GREASE	2					
12	20843220	MİL	ROD	1					
13	80201214	BURÇ	BUSHING	1					
14	20314080	KAPAK	CAP	1					
15	N105505805	TOZ KECESİ	SCRAPER	1	K1				
16	N104506013	KEÇE	U-CAP	1	K1				
17	N100505597	YATAKLAMA BANDI	GUIDE RING	2					
18	20214080	BOGAZ	CAP, END	1					
19	N102007340	O-RİNG	O-RING	1					
20	S4891220	BOGAZ TAMİR TAKIMI	SEAL KIT, END CAP	1	(K1)				
21	N102007420	O-RİNG	O-RING	1	K1				
22	N102009029	O-RİNG	O-RING	1	K1				

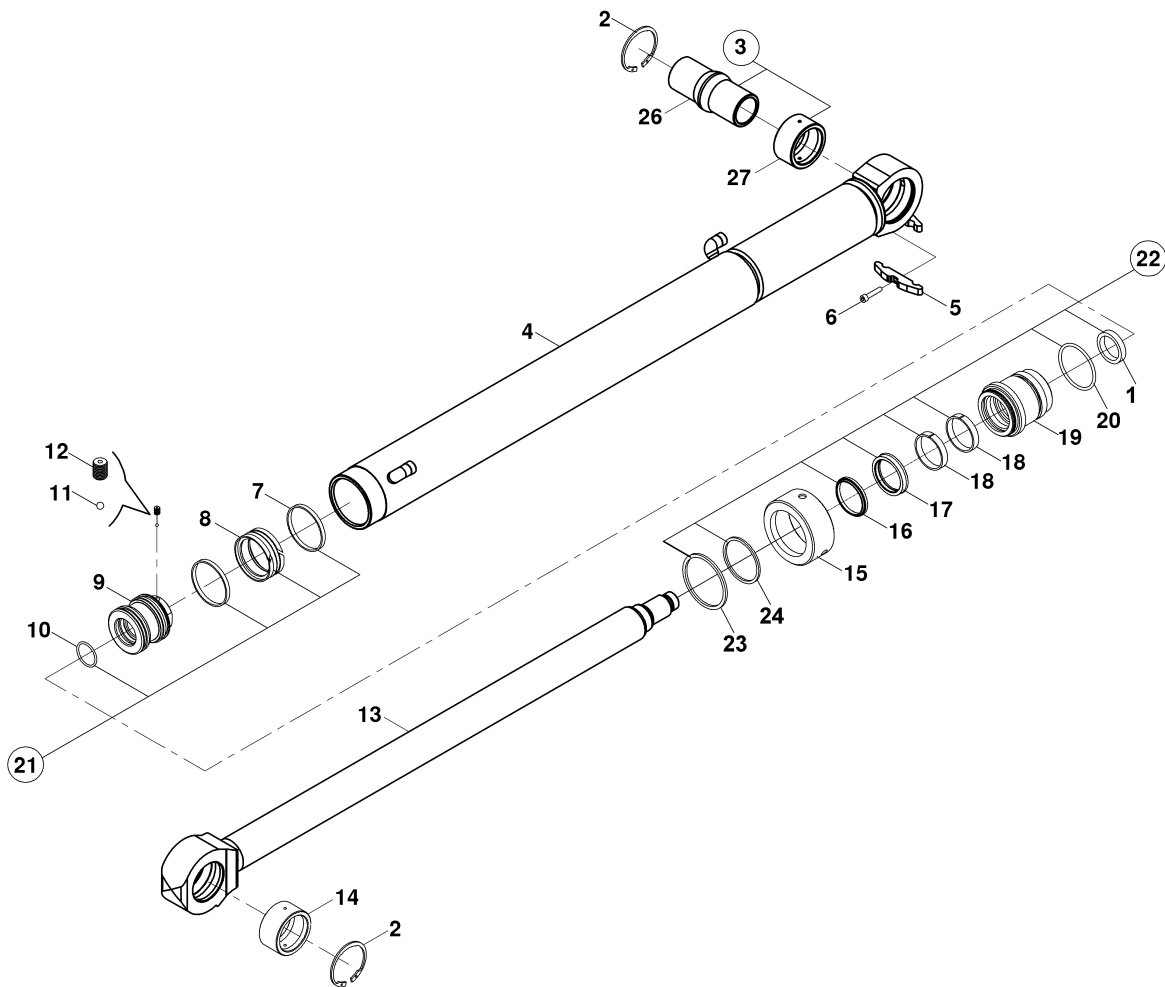
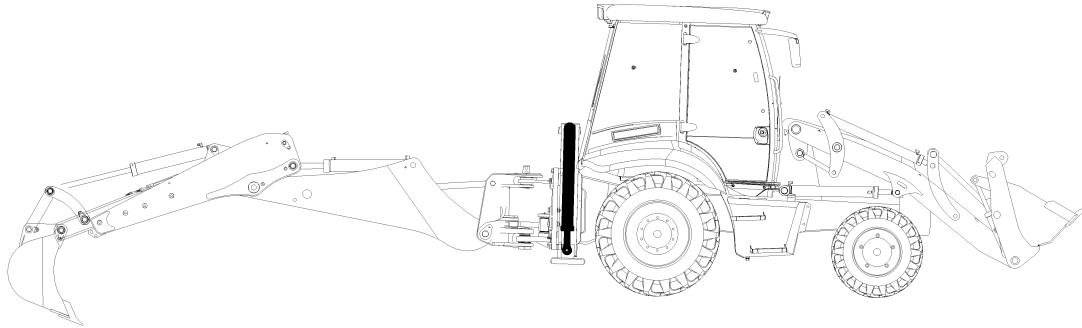
AÇILIR KEPÇE SİLİNDİRİ MULTIPURPOSE BUCKET CYLINDER



AÇILIR KEPÇE SİLİNDİRİ
MULTIPURPOSE BUCKET CYLINDER

No	Parça No	Parça Adı	Description	Adet	S.K.	Bas.S.N	Bit.S.N	Y.K.	Not
No	Part no			Qty	SC	S/N from	S/N to	ICA	Note
0	15420062	SİLİNDİR KOMPLESİ, AÇILIR KEPÇE	CYLINDER ASS'Y, MULTI PURPOSE BUCKET	1					
1	N107405506	TAMPON KEÇE	BUFFER SEAL	1	K2				
2	20920534	SİLİNDİR BORUSU K.K.	CYLINDER TUBE W.A.	1					
3	20700410	BURÇ, MAFSAL	BUSHING, SPHERICAL	1					
4	N050220200	SEGMAN	RETAINING RING	2					
5	N043120686	VİDA	SCREW	1					
6	20120450	PİSTON	PISTON	1					
7	N099001060	CELİK BİLYA	STEEL BALL	1					
8	N101657056	YATAKLAMA BANDI, PİSTON	WEAR RING, PISTON	2	K1				
9	N103587000	PİSTON KEÇESİ	PISTON SEAL	1	K1				
10	N102004035	O-RİNG, PİSTON	O-RING, PISTON	1					
11	S4880710	KEÇE TAKIMI, PİSTON	SEAL KIT, PISTON	1	(K1)				
12	20700400	BURÇ, MAFSAL	BUSHING, SPHERICAL	1					
13	N081210020	NİPEL, GRES	NIPPLE, GREASE	1					
14	20843112	SİLİNDİR MILİ K.K.	CYLINDER ROD W.A.	1					
15	20314070	BOĞAZ KAPAĞI	HEAD COVER	1					
16	N105404805	TOZ KEÇESİ	SEAL DUST	1	K2				
17	N104405013	TOZ KEÇESİ	SEAL, HEAD	1	K2				
18	N100404597	YATAKLAMA BANDI	GUIDE RING, HEAD	2	K2				
19	20214070	BOĞAZ, SİLİNDİR	HEAD, CYLINDER	1					
20	N102006440	O-RİNG	O-RING	1	K2				
21	S4891210	KEÇE TAKIMI, BOĞAZ	SEAL KIT, HEAD	1	(K2)				
22	N102008030	O-RİNG, BOĞAZ	O-RING, CLINDER HEAD	1	K2				
23	N102006420	O-RİNG, BOĞAZ	O-RING, CLINDER HEAD	1	K2				

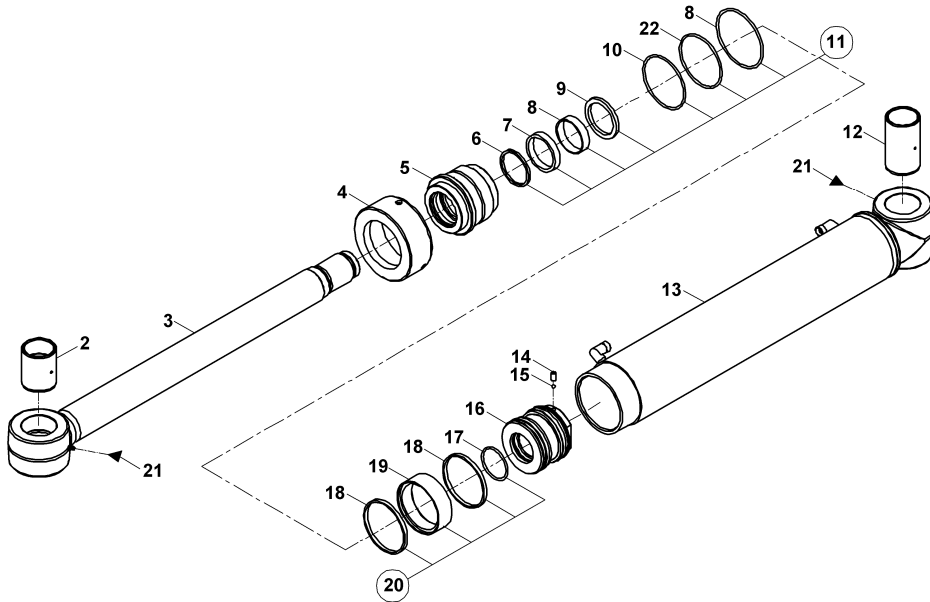
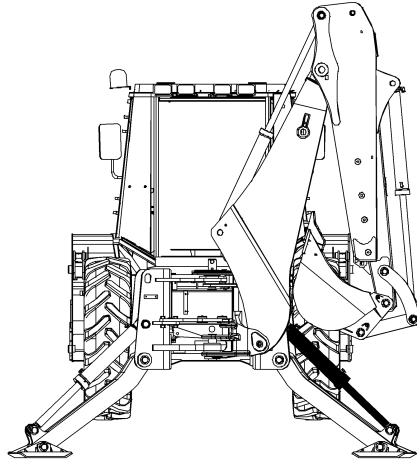
AYAK SİLİNDİRİ, SAĞ STABILIZER CYLINDER, RH



**AYAK SİLİNDİRİ, SAĞ
STABILIZER CYLINDER, RH**

No	Parça No	Parça Adı		Adet	S.K.	Bas.S.N	Bit.S.N	Y.K.	Not
No	Part no	Description		Qty	SC	S/N from	S/N to	ICA	Note
0	15020137	SİLİNDİR, AYAK, SAĞ	RAM, STABILIZER, RIGHT	1					
1	N107506004	TAMPON KEÇESİ	U-CAP	1	K2				
2	N050220200	SEGMAN	RETAINING RING	2					
3	20700500	MAFSAL YATAK	RADIAL SPHERICAL PLAIN BEARING	1					
4	20920583	SİLİNDİR BORUSU	CYLINDER	1					
5	81052125	KELEPÇE ÜST PARÇASI	COVER, CLAMP	1					
6	N015890326	CIVATA	BOLT	2					
7	N101657056	YATAKLAMA BANDI, PİSTON	WEAR RING, PISTON	2	K1				
8	N103587000	PİSTON KEÇESİ	PISTON SEAL	1	K1				
9	20120450	PİSTON	PISTON	1					
10	N102004035	O-RİNG, PİSTON	O-RING, PISTON	1					
11	N099001060	CELİK BİLYA	STEEL BALL	1					
12	N043120686	VİDA	SCREW	1					
13	20843260	SİLİNDİR MİLİ	ROD	1					
14	80204213	BURÇ	BUSHING	1					
15	20314075	KAPAK	CAP	1					
16	N105505805	TOZ KECESİ	SCRAPER	1	K1				
17	N104506013	KEÇE	U-CAP	1	K1				
18	N100505597	YATAKLAMA BANDI	GUIDE RING	2					
19	20214075	BOGAZ	CAP, END	1					
20	N102006440	O-RİNG	O-RING	1	K2				
21	S4880710	KEÇE TAKIMI, PİSTON	SEAL KIT, PISTON	1	(K1)				
22	S4891211	BOGAZ TAMİR TAKIMI	SEAL KIT, END CAP	1	(K2)				
23	N102008030	O-RİNG, BOĞAZ	O-RING, CLINDER HEAD	1	K2				
24	N102007002	BOGAZ O-RİNGİ	O-RING, END CAP	1	K2				
26	80205200	BURÇ, MAFSAL	BUSHING, SPHERICAL	1					
27	80204230	BURÇ	BUSHING	1					

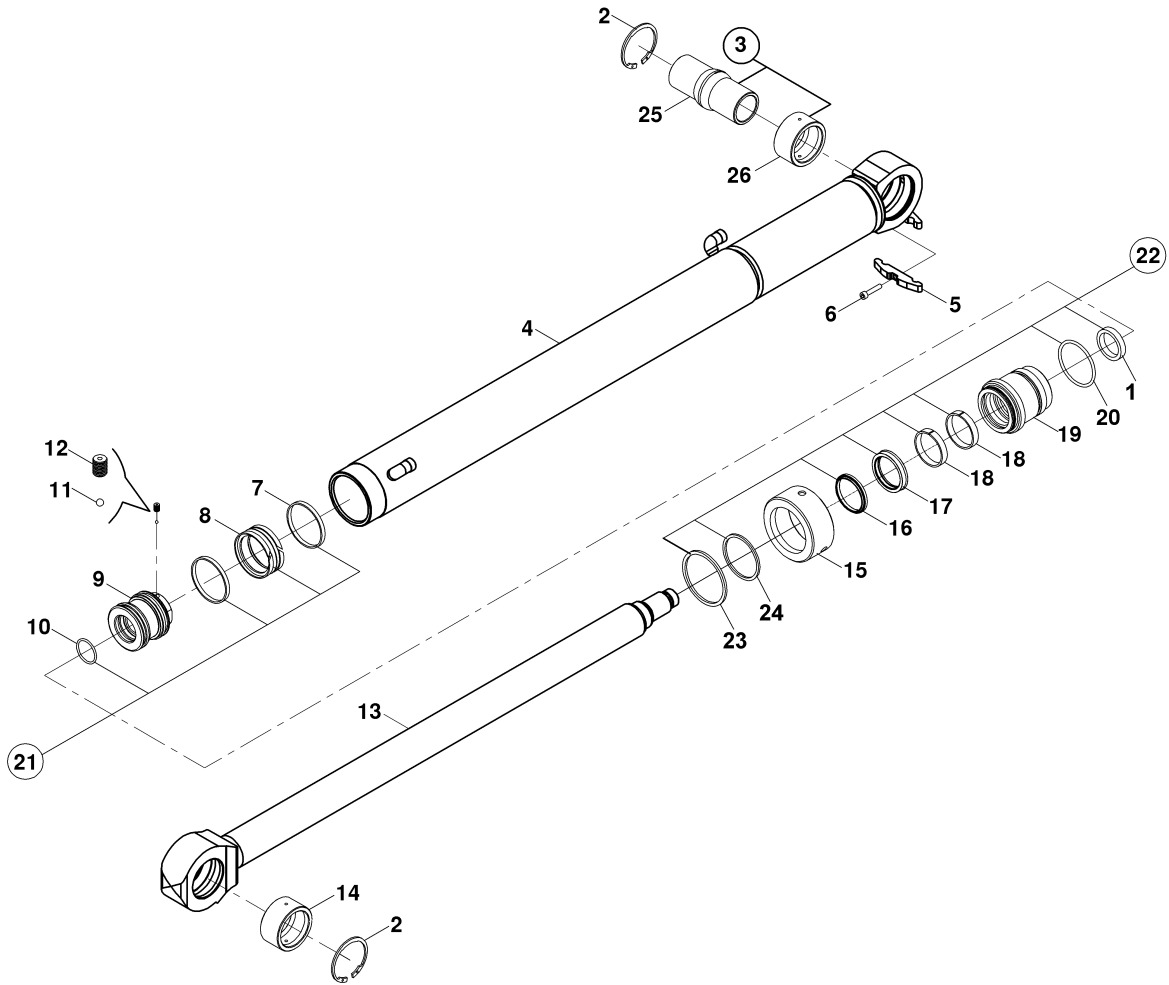
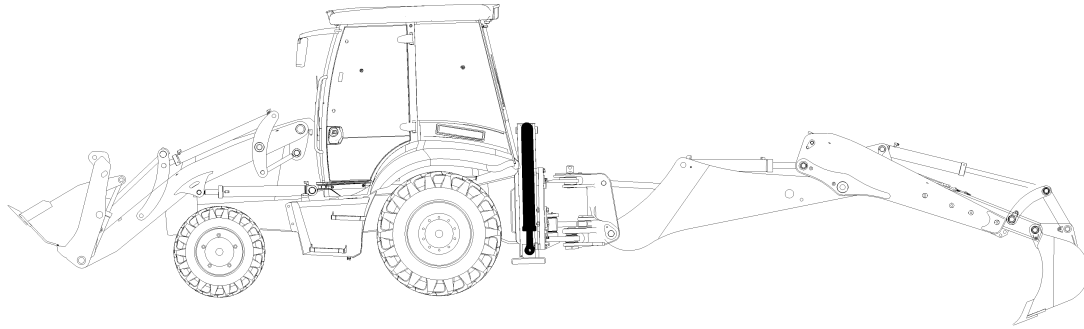
AYAK SİLİNDİRİ, SAĞ (KAZ AYAK) STABILIZER CYLINDER, RH (WING TYPE)



**AYAK SİLİNDİRİ, SAĞ (KAZ AYAK)
STABILIZER CYLINDER, RH (WING TYPE)**

No	Parça No	Parça Adı		Adet	S.K.	Bas.S.N	Bit.S.N	Y.K.	Not
No	Part no	Description		Qty	SC	S/N from	S/N to	ICA	Note
0	15520311	SİLİNDİR, AYAK, SAĞ	RAM, STABILISER, RH	1					
2	80201356	SERT BURÇ	BUSHING	1					
3	20842620	SİLİNDİR MILİ	ROD	1					
4	20314100	KAPAK	COVER	1					
5	20211105	BOĞAZ, SİLİNDİR	HEAD, CYLINDER	1					
6	N105607006	BOGAZ TOZ KECESİ	SCRAPER	1					
7	N104607015	BOGAZ KECESİ	U-CAP	1					
8	N102009020	BOGAZ O-RİNGİ	O-RING, END CAP	1					
9	N104607506	BOGAZ TAMPON KECESİ	SEAL	1					
10	N102009435	BOGAZ O-RİNGİ	O-RING, END CAP	1					
11	S4891240	BOGAZ TAMİR TAKIMI	SEAL KIT, END CAP	1					
12	80201360	SERT BURC	BUSHING	1					
13	20920181	SİLİNDİR BORUSU	CYLINDER	1					
14	N043120710	VIDALI PİM	SETSCREW	1					
15	N099001060	CELİK BİLYA	STEEL BALL	1					
16	20120755	PİSTON	PISTON	1					
17	N102005634	PİSTON O-RİNGİ	O-RING, PISTON	1					
18	N101949965	YATAKLAMA BANDI	GUIDE RING	2					
19	N103861000	PİSTON KECESİ	SEAL, PISTON	1					
20	S4881007	PİSTON TAMİR TAKIMI	SEAL KIT, PISTON	1					
21	N081210020	NİPEL, GRES	NIPPLE, GREASE	2					
22	N102011003	BOGAZ O-RİNGİ	O-RING, END CAP	1					

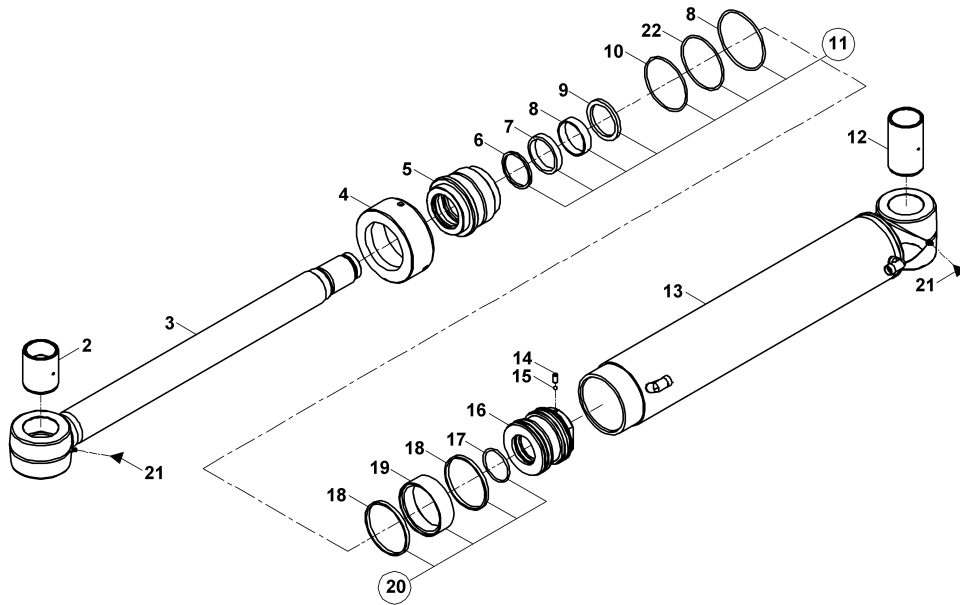
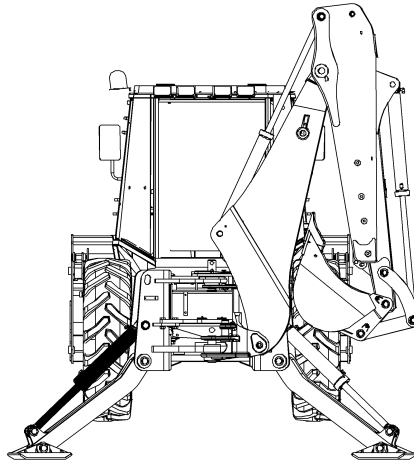
AYAK SİLİNDİRİ, SOL STABILIZER CYLINDER, LH



**AYAK SİLİNDİRİ, SOL
STABILIZER CYLINDER, LH**

No	Parça No	Parça Adı	Adet	S.K.	Bas.S.N	Bit.S.N	Y.K.	Not
No	Part no	Description	Qty	SC	S/N from	S/N to	ICA	Note
0	15020237	SİLİNDİR, AYAK, SOL	1					
1	N107506004	TAMPON KEÇESİ	1	K2				
2	N050220200	SEGMAN	2					
3	20700500	MAFSAL YATAK	1					
4	20920588	SİLİNDİR BORUSU	1					
5	81052125	KELEPÇE ÜST PARÇASI	1					
6	N015890326	CIVATA	2					
7	N101657056	YATAKLAMA BANDI, PİSTON	2	K1				
8	N103587000	PİSTON KEÇESİ	1	K1				
9	20120450	PİSTON	1					
10	N102004035	O-RİNG, PİSTON	1					
11	N099001060	CELİK BİLYA	1					
12	N043120686	VİDA	1					
13	20843260	SİLİNDİR MİLİ	1					
14	80204213	BURÇ	1					
15	20314075	KAPAK	1					
16	N105505805	TOZ KECESİ	1	K1				
17	N104506013	KEÇE	1	K1				
18	N100505597	YATAKLAMA BANDI	2					
19	20214075	BOGAZ	1					
20	N102006440	O-RİNG	1	K2				
21	S4880710	KEÇE TAKIMI, PİSTON	1	(K1)				
22	S4891211	BOGAZ TAMİR TAKIMI	1	(K2)				
23	N102008030	O-RİNG, BOĞAZ	1	K2				
24	N102007002	BOGAZ O-RİNGİ	1	K2				
25	80205200	BURÇ, MAFSAL	1					
26	80204230	BURÇ	1					

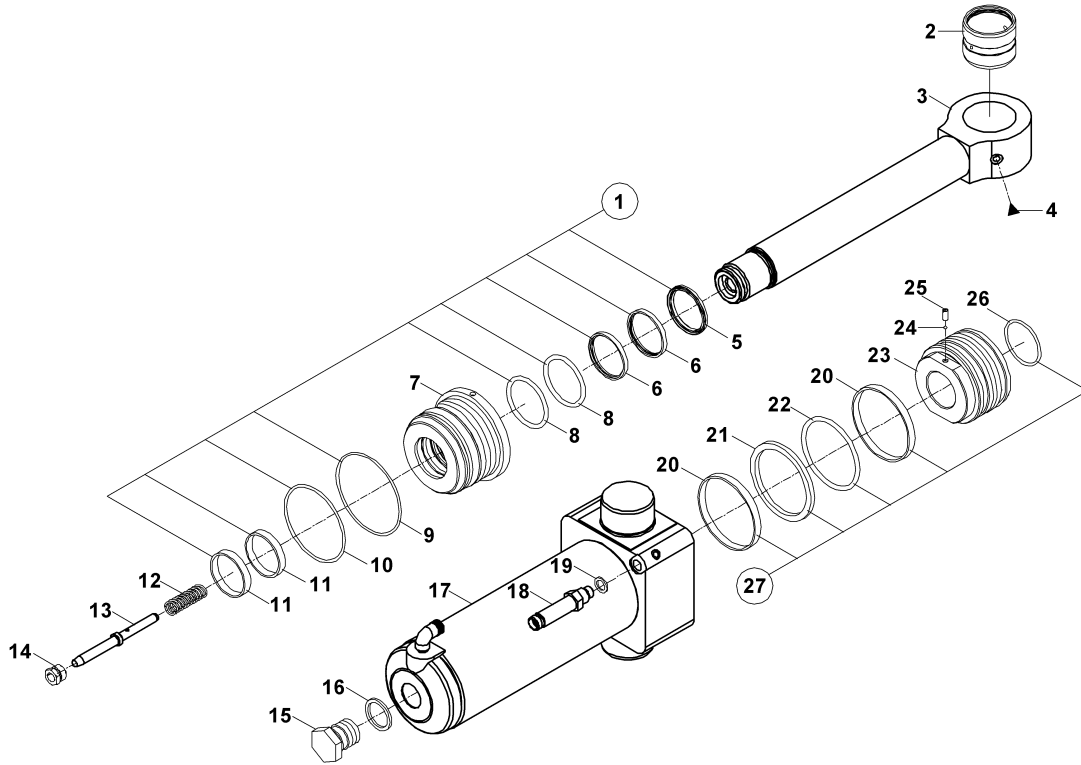
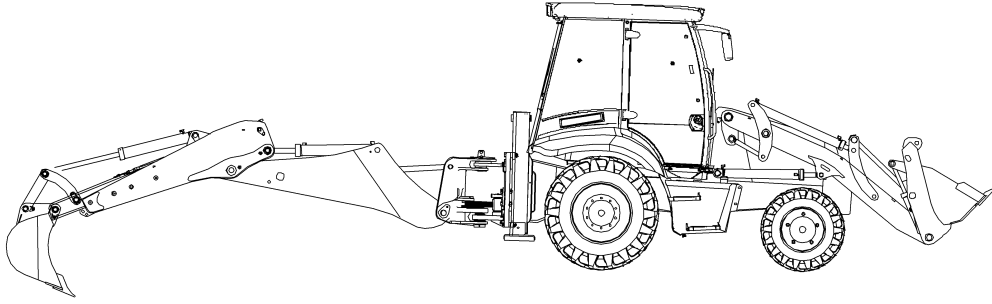
**AYAK SİLİNDİRİ, SOL (KAZ AYAK)
STABILIZER CYLINDER, LH (WING TYPE)**



**AYAK SİLİNDİRİ, SOL (KAZ AYAK)
STABILIZER CYLINDER, LH (WING TYPE)**

No	Parça No	Parça Adı	Description	Adet	S.K.	Bas.S.N	Bit.S.N	Y.K.	Not
No	Part no			Qty	SC	S/N from	S/N to	ICA	Note
0	15520301	SİLİNDİR, AYAK, SOL	RAM, STABILISER, LH	1					
2	80201356	SERT BURÇ	BUSHING	1					
3	20842620	SİLİNDİR MILİ	ROD	1					
4	20314100	KAPAK	COVER	1					
5	20211105	BOĞAZ, SİLİNDİR	HEAD, CYLINDER	1					
6	N105607006	BOGAZ TOZ KECESİ	SCRAPER	1					
7	N104607015	BOGAZ KECESİ	U-CAP	1					
8	N102009020	BOGAZ O-RİNGİ	O-RING, END CAP	1					
9	N104607506	BOGAZ TAMPON KECESİ	SEAL	1					
10	N102009435	BOGAZ O-RİNGİ	O-RING, END CAP	1					
11	S4891240	BOGAZ TAMİR TAKIMI	SEAL KIT, END CAP	1					
12	80201360	SERT BURC	BUSHING	1					
13	20920191	SİLİNDİR BORUSU	CYLINDER	1					
14	N043120710	VIDALI PİM	SETSCREW	1					
15	N099001060	CELİK BİLYA	STEEL BALL	1					
16	20120755	PİSTON	PISTON	1					
17	N102005634	PİSTON O-RİNGİ	O-RING, PISTON	1					
18	N101949965	YATAKLAMA BANDI	GUIDE RING	2					
19	N103861000	PİSTON KECESİ	SEAL, PISTON	1					
20	S4881007	PİSTON TAMİR TAKIMI	SEAL KIT, PISTON	1					
21	N081210020	NİPEL, GRES	NIPPLE, GREASE	2					
22	N102011003	BOGAZ O-RİNGİ	O-RING, END CAP	1					

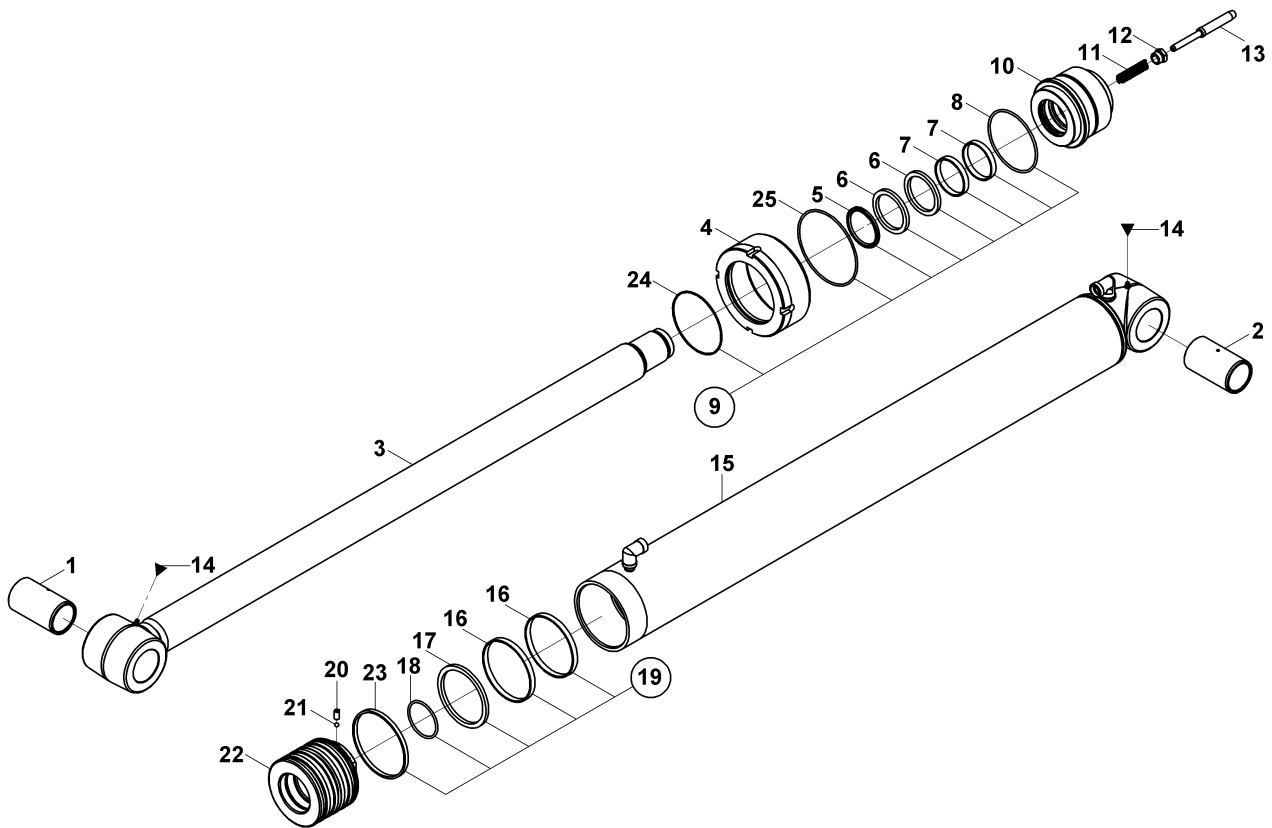
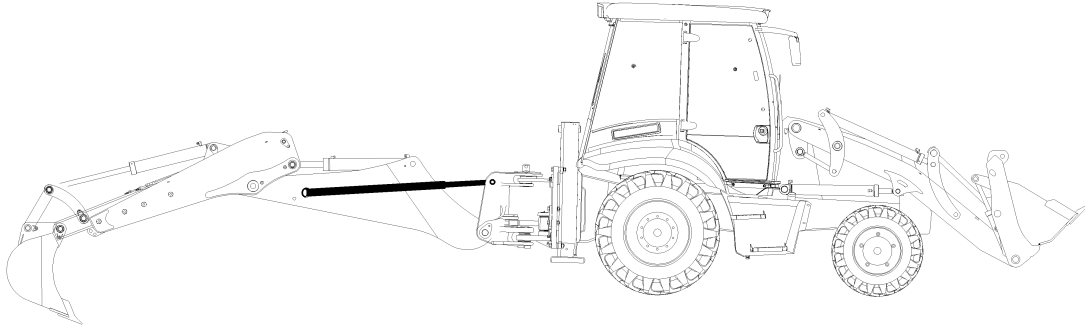
DÖNÜŞ SİLİNDİRİ SWING CYLINDER



DÖNÜŞ SİLİNDİRİ SWING CYLINDER

No	Parça No	Parça Adı	Adet	S.K.	Bas.S.N	Bit.S.N	Y.K.	Not
No	Part no	Description	Qty	SC	S/N from	S/N to	ICA	Note
0	15525101	DÖNÜŞ SİLİNDİRİ	1					
1	S4891020	BOĞAZ TAMİR TAKIMI	1	(K1)				
2	80201465	BURÇ	1					
3	20843250	SİLİNDİR MILİ	1					
4	N081210020	NİPEL, GRES	1					
5	N105556506	TOZ KEÇESİ	1	K1				
6	N104557007	BOĞAZ KEÇESİ	2	K1				
7	20211075	BOĞAZ	1					
8	N102005953	O-RİNG	2	K1				
9	N102009835	O-RİNG	1	K1				
10	N102010630	O-RİNG	1	K1				
11	N100556097	YATAKLAMA BANDI	2	K1				
12	80702000	YAY	1					
13	80107051	FREN MİLİ	1					
14	80611015	YATAK RAKORU (MİL)	1					
15	81403007	FREN TAPASI	1					
16	N030000030	PUL	1					
17	20921400	SİLİNDİR BORUSU	1					
18	80624314	NİPEL	1					
19	N030000004	O-RİNGLİ PUL	1					
20	N101101059	YATAKLAMA BANDI	2	K2				
21	N103891056	PİSTON KEÇESİ	1	K2				
22	N102008853	O-RİNG	1	K2				
23	20180051	PİSTON	1					
24	N099001060	CELİK BİLYA	1					
25	N043120710	VIDALİ PİM	1					M6x15
26	N102005535	O-RİNG	1					
27	S4881020	PİSTON TAMİR TAKIMI	1	(K2)				

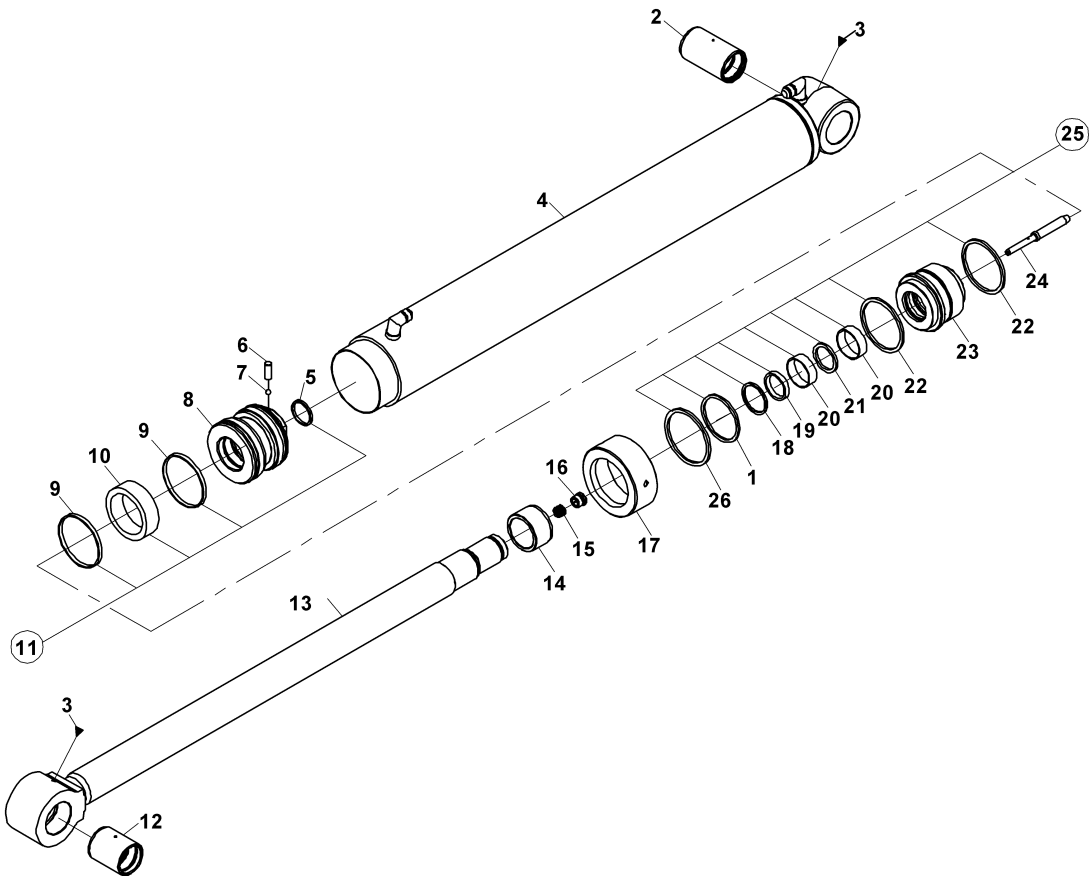
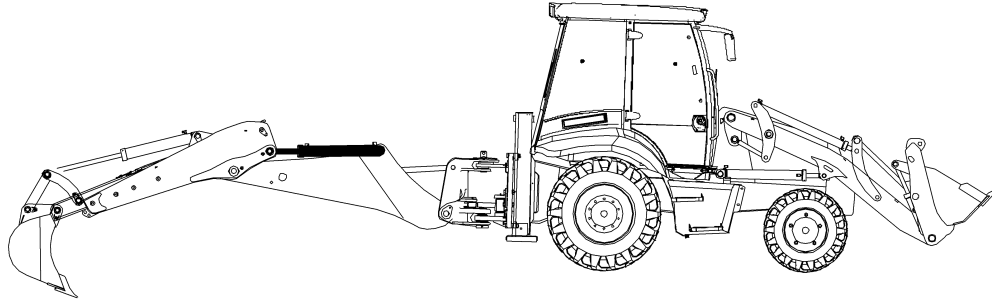
BOM SİLİNDİRİ, KAZICI BOOM CYLINDER, BACKHOE



**BOM SİLİNDİRİ, KAZICI
BOOM CYLINDER, BACKHOE**

No	Parça No	Parça Adı		Adet	S.K.	Bas.S.N	Bit.S.N	Y.K.	Not
No	Part no	Description		Qty	SC	S/N from	S/N to	ICA	Note
0	15320438	SİLİNDİR KOMPLESİ, BOM	CYLINDER ASS'Y, BOOM	1					
1	80201362	SERT BURÇ	BUSHING	1					
2	80201360	SERT BURC	BUSHING	1					
3	20843401	SİLİNDİR MILİ K.K.	CYLINDER ROD W.A.	1					
4	20314116	BOĞAZ KAPAĞI	HEAD COVER	1					
5	N105657567	TOZ KEÇESİ	SEAL DUST	1	K1				
6	N104658063	BOĞAZ KEÇESİ	SEAL, HEAD	2	K1				
7	N100657097	YATAKLAMA BANDI	GUIDE RING, PISTON	2	K1				
8	N102009936	O-RİNG	O-RING	1					
9	S4891160	KEÇE TAKIMI, BOĞAZ	SEAL KIT, HEAD	1	(K1)				
10	20211540	BOĞAZ	HEAD, CYLINDER	1					
11	80702000	YAY	SPRING	1					
12	80611020	YATAK RAKORU	BOLT, PLUNGER	1					
13	80107060	FREN MİLİ	PLUNGER, RESTRICTOR	1					
14	N081210020	NİPEL, GRES	NIPPLE, GREASE	2					
15	20920373	SİLİNDİR BORUSU K.K.	CYLINDER TUBE W.A.	1					
16	N101911597	YATAKLAMA BANDI	GUIDE RING	2					
17	N103991156	PISTON KECESİ	SEAL, PISTON	1					
18	N102006403	O-RİNG	O-RING, PISTON	1	K2				
19	S4881255	KEÇE TAKIMI, PİSTON	SEAL KIT, PISTON	1	(K2)				
20	N043120710	VIDALI PİM	SETSCREW	1					
21	N099001060	CELİK BİLYA	STEEL BALL	1					
22	20114115	PİSTON	PISTON	1					
23	N101999965	YATAKLAMA BANDI	GUIDE RING, HEAD	2	K2				
24	N102010520	BOGAZ O-RİNGİ	O-RING, END CAP	1					
25	N102013030	O-RİNG	O-RING, COVER	1	K1				

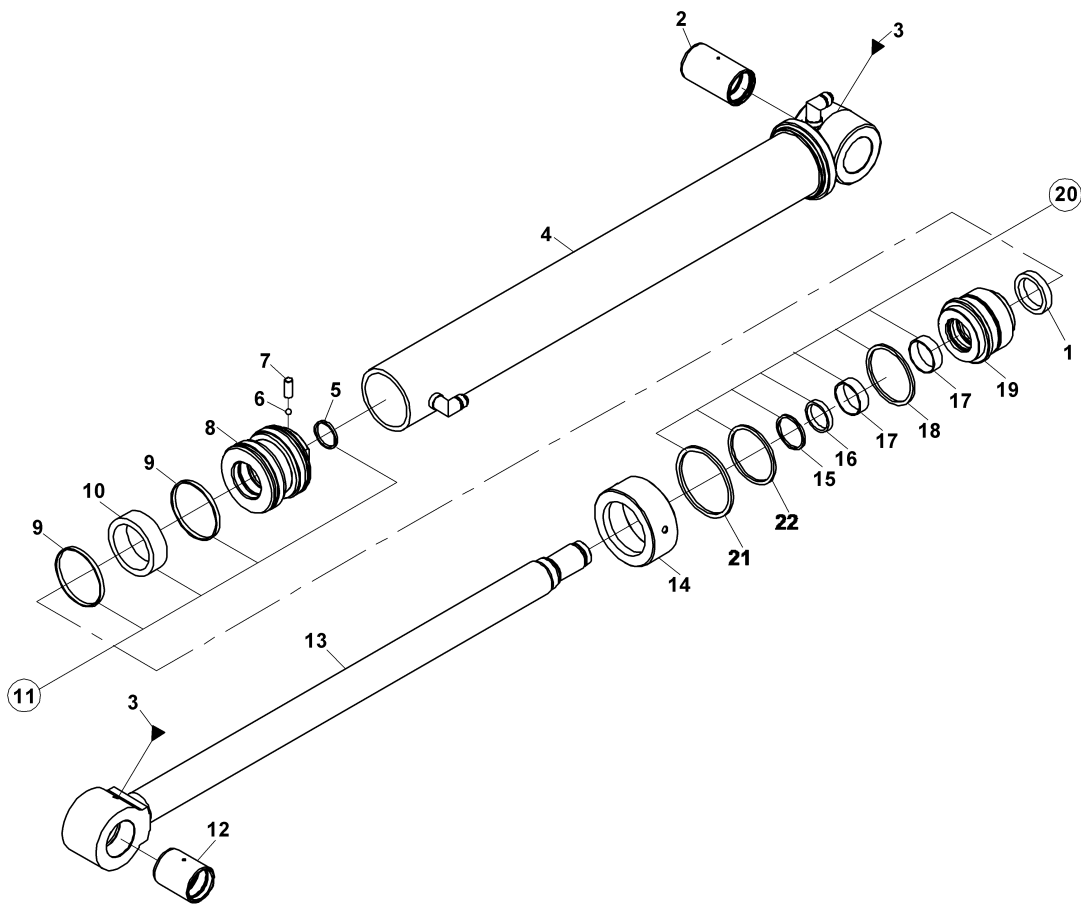
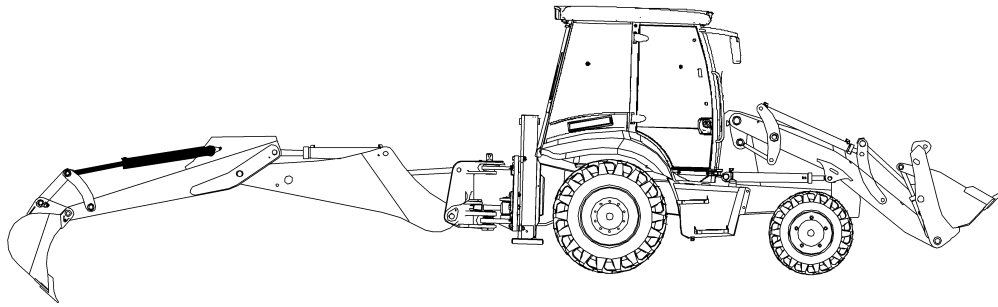
ARM SİLİNDİRİ, KAZICI ARM CYLINDER, BACKHOE



ARM SİLİNDİRİ, KAZICI
ARM CYLINDER, BACKHOE

No	Parça No	Parça Adı	Adet	S.K.	Bas.S.N	Bit.S.N	Y.K.	Not
No	Part no	Description	Qty	SC	S/N from	S/N to	ICA	Note
0	15520231	SİLİNDİR KOMPLESİ, ARM	1					
1	S4891240	BOGAZ TAMİR TAKIMI	1					
2	80201362	SERT BURÇ	1					
3	N081210020	NİPEL, GRES	2					
4	20920176	SİLİNDİR BORUSU K.K.	1					
5	N102005634	PİSTON O-RİNGİ	1					
6	N043120710	VIDALI PİM	1					
7	N099001060	CELİK BİLYA	1					
8	20120755	PİSTON	1					
9	N101949965	YATAKLAMA BANDI	2					
10	N103861000	PİSTON KECESİ	1					
11	S4881007	PİSTON TAMİR TAKIMI	1					
12	80201356	SERT BURÇ	1					
13	20843310	SİLİNDİR MİLİ	1					
14	80201510	FRENLEME BİLEZİĞİ	1					
15	80702000	YAY	1					
16	80611020	YATAK RAKORU	1					
17	20314100	KAPAK	1					
18	N105607006	BOGAZ TOZ KECESİ	1					
19	N104607015	BOGAZ KECESİ	1					
20	N100606515	YATAKLAMA BANDI	2					
21	N104607506	BOGAZ TAMPON KECESİ	1					
22	N102009435	BOGAZ O-RİNGİ	2					
23	20221000	BOGAZ	1					
24	80107060	FREN MİLİ	1					
25	N102009020	BOGAZ O-RİNGİ	1					
26	N102011003	BOGAZ O-RİNGİ	1					

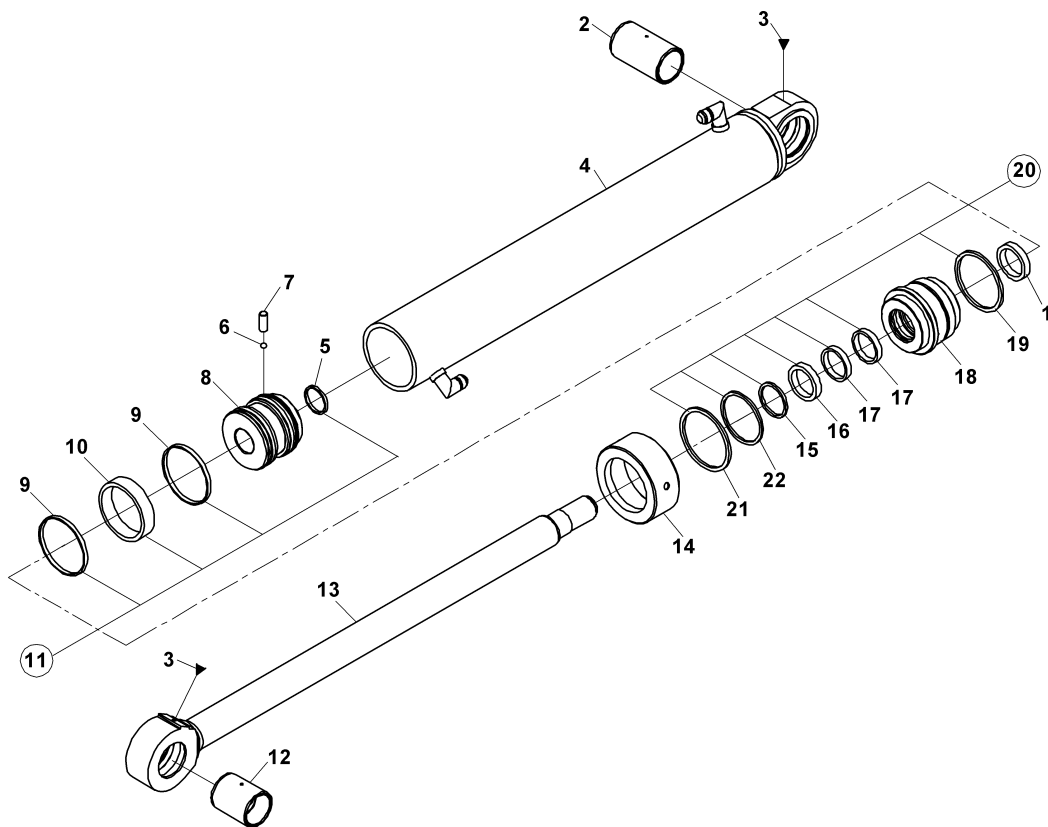
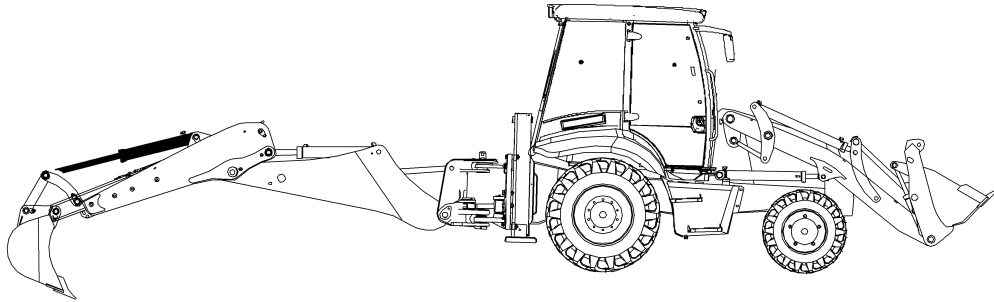
KEPÇE SİLİNDİRİ, KAZICI BUCKET CYLINDER, BACKHOE



KEPÇE SİLİNDİRİ, KAZICI
BUCKET CYLINDER, BACKHOE

No	Parça No	Parça Adı		Adet	S.K.	Bas.S.N	Bit.S.N	Y.K.	Not
No	Part no	Description		Qty	SC	S/N from	S/N to	ICA	Note
0	15120640	SİLİNDİR, KIVIRICI, KAZICI	RAM, BUCKET, BACKHOE	1					
1	N104607506	BOGAZ TAMPON KECESİ	SEAL	1					
2	80201360	SERT BURÇ	BUSHING	1					
3	N081210020	NİPEL, GRES	NIPPLE, GREASE	2					
4	20921223	SİLİNDİR BORUSU	CYLINDER	1					
5	N102004935	ORİN-G	ORIN-G	1	K2				
6	N099001060	CELİK BİLYA	STEEL BALL	1					
7	N043120710	VIDALI PİM	SETSCREW	1					
8	20120600	PİSTON	PISTON	1					
9	N101849065	YATAKLAMA BANDI	GUIDE RING	2	K1				
10	N103709000	PİSTON KEÇESİ	SEAL, PISTON	1	K1				
11	S4880955	PİSTON TAMİR TAKIMI	SEAL KIT, PISTON	1	(K1)				
12	80201356	SERT BURÇ	BUSHING	1					
13	20843300	SİLİNDİR MILİ	ROD	1					
14	20314095	KAPAK	CAP	1					
15	N105607006	BOGAZ TOZ KECESİ	SCRAPER	1					
16	N104607015	BOGAZ KECESİ	U-CAP	1					
17	N100606515	YATAKLAMA BANDI	GUIDE RING, END CAP	2					
18	N102008440	BOGAZ O-RİNGİ	O-RING, END CAP	1	K2				
19	20214095	BOGAZ	CAP, END	1					
20	S4891231	BOGAZ TAMİR TAKIMI	SEAL KIT, END CAP	1	(K2)				
21	N012009931	BOGAZ O-RİNGİ	O-RING, END CAP	1	K2				
22	N102008720	BOGAZ O-RİNGİ	O-RING, END CAP	1	K2				

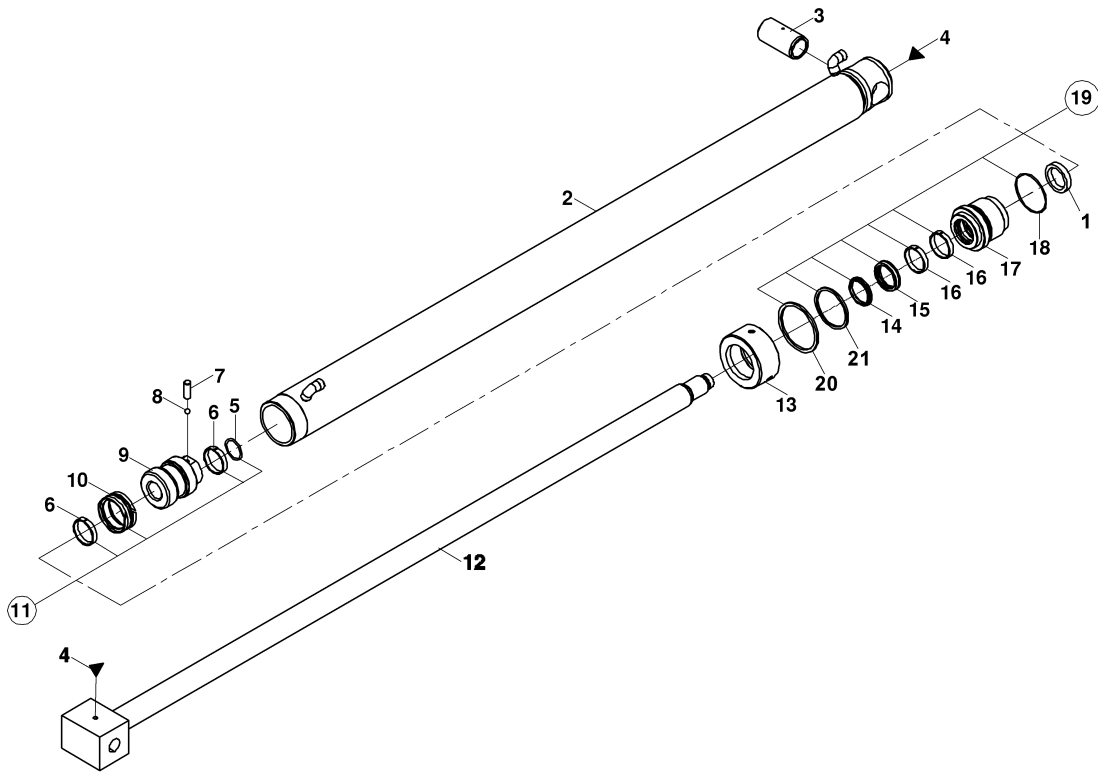
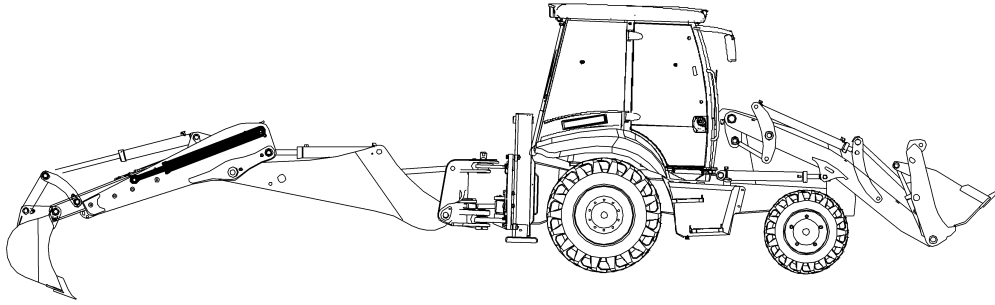
KEPÇE SİLİNDİRİ, KAZICI, TELESKOPIK (OP)
BUCKET CYLINDER, BACKHOE, TELESCOPIC, (OP)



**KEPÇE SİLİNDİRİ, KAZICI, TELESKOPIK (OP)
BUCKET CYLINDER, BACKHOE, TELESCOPIC, (OP)**

No	Parça No	Parça Adı	Description	Adet	S.K.	Bas.S.N	Bit.S.N	Y.K.	Not
No	Part no			Qty	SC	S/N from	S/N to	ICA	Note
0	15120275	SİLİNDİR, TELESKOPIK KIVIRICI, KAZICI	RAM, BUCKET, TELESCOPIC DIPPER, BACKHOE	1					
1	N104607506	BOGAZ TAMPON KECESİ	SEAL	1					
2	80201360	SERT BURÇ	BUSHING	1					
3	N081210020	NİPEL, GRES	NIPPLE, GREASE	2					
4	20921212	SİLİNDİR BORUSU	CYLINDER	1					
5	N102004935	ORİN-G	ORIN-G	1	K2				
6	N099001060	CELİK BİLYA	STEEL BALL	1					
7	N043120710	VIDALI PİM	SETSCREW	1					
8	20120600	PİSTON	PISTON	1					
9	N101849065	YATAKLAMA BANDI	GUIDE RING	2	K1				
10	N103709000	PİSTON KEÇESİ	SEAL, PISTON	1	K1				
11	S4880955	PİSTON TAMİR TAKIMI	SEAL KIT, PISTON	1	(K1)				
12	80201356	SERT BURÇ	BUSHING	1					
13	20843300	SİLİNDİR MİLİ	ROD	1					
14	20314095	KAPAK	CAP	1					
15	N105607006	BOGAZ TOZ KECESİ	SCRAPER	1					
16	N104607015	BOGAZ KECESİ	U-CAP	1					
17	N100606515	YATAKLAMA BANDI	GUIDE RING, END CAP	2					
18	20214095	BOGAZ	CAP, END	1					
19	N102008440	BOGAZ O-RİNGİ	O-RING, END CAP	1	K2				
20	S4891231	BOGAZ TAMİR TAKIMI	SEAL KIT, END CAP	1	(K2)				
21	N102009931	BOGAZ O-RİNGİ	O-RING, END CAP	1	K2				
22	N102008720	BOGAZ O-RİNGİ	O-RING, END CAP	1	K2				

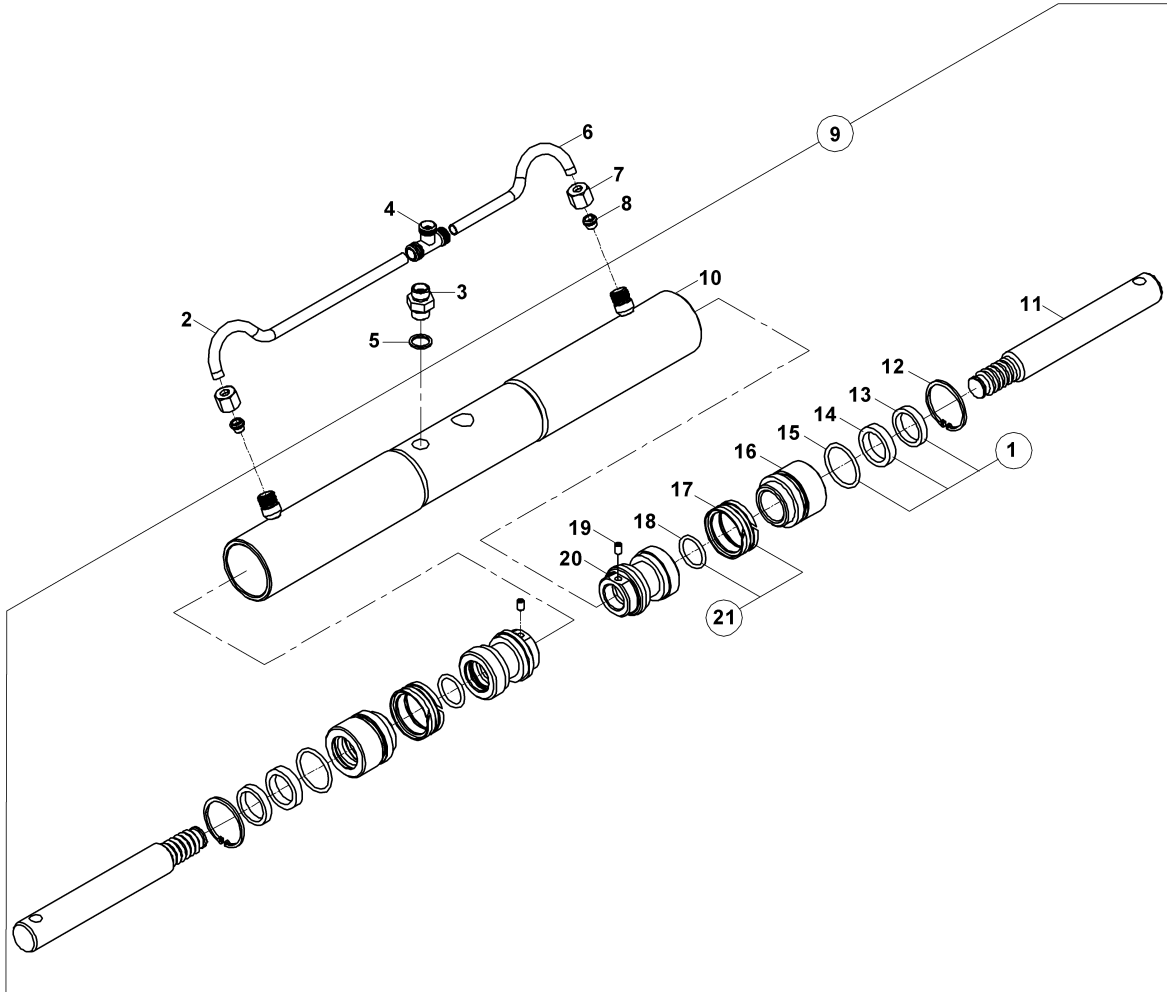
TELESKOPIK SİLİNDİR, KAZICI (OP)
TELESCOPIC CYLINDER, BACKHOE, (OP)



TELESKOPIK SİLİNDİR, KAZICI (OP)
TELESCOPIC CYLINDER, BACKHOE, (OP)

No	Parça No	Parça Adı	Description	Adet	S.K.	Bas.S.N	Bit.S.N	Y.K.	Not
No	Part no			Qty	SC	S/N from	S/N to	ICA	Note
0	15420160	SİLİNDİR, TELESKOPIK İTİCİ, KAZICI	RAM, EXTENSION, TELESCOPIC DIPPER, BACKHOE	1					
1	N107405506	TAMPON KEÇE	BUFFER SEAL	1	K2				
2	20920558	SİLİNDİR BORUSU	CYLINDER	1					
3	80201040	ARKALIK İÇ BURCU	BUSH	1					
4	N081210020	NİPEL, GRES	NIPPLE, GREASE	2					
5	N102004035	O-RİNG, PİSTON	O-RING, PISTON	1					
6	N101657056	YATAKLAMA BANDI, PİSTON	WEAR RING, PISTON	2	K1				
7	N043120686	VİDA	SCREW	1					
8	N099001060	CELİK BİLYA	STEEL BALL	1					
9	20120450	PİSTON	PISTON	1					
10	N103587000	PİSTON KEÇESİ	PISTON SEAL	1	K1				
11	S4880710	KEÇE TAKIMI, PİSTON	SEAL KIT, PISTON	1	(K1)				
12	20842051	MİL	ROD	1					
13	20314070	BOĞAZ KAPAĞI	HEAD COVER	1					
14	N105404805	TOZ KEÇESİ	SEAL DUST	1	K2				
15	N104405013	TOZ KEÇESİ	SEAL, HEAD	1	K2				
16	N100404597	YATAKLAMA BANDI	GUIDE RING, HEAD	2	K2				
17	20214070	BOĞAZ, SİLİNDİR	HEAD, CYLINDER	1					
18	N102006440	O-RİNG	O-RING	1	K2				
19	S4891210	KEÇE TAKIMI, BOĞAZ	SEAL KIT, HEAD	1	(K2)				
20	N102008030	O-RİNG, BOĞAZ	O-RING, CLINDER HEAD	1	K2				
21	N102006420	O-RİNG, BOĞAZ	O-RING, CLINDER HEAD	1	K2				

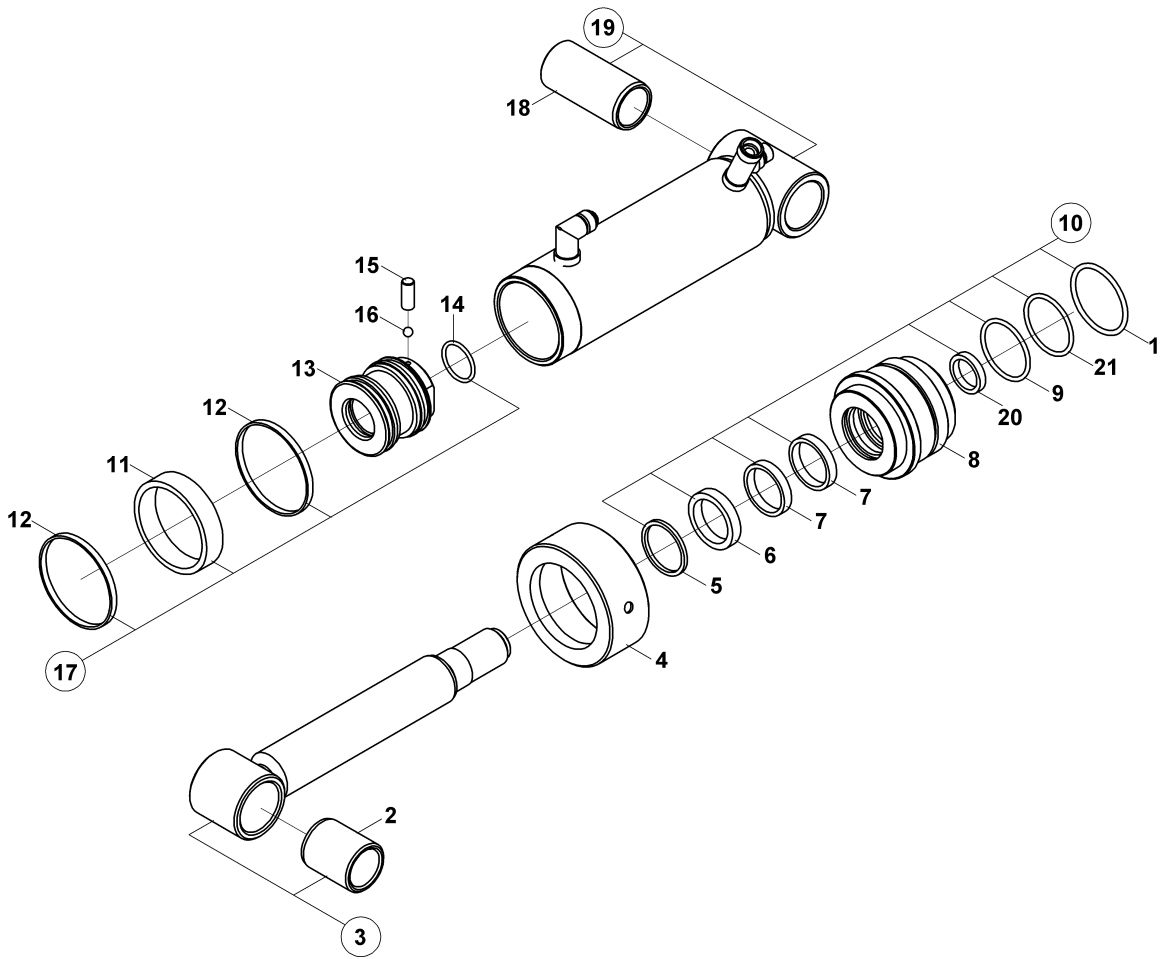
ÇABUK SÖK- TAK SİLİNDİRİ, KAZICI (OP)
QUICK COUPLER CYLINDER, BACKHOE (OP)



ÇABUK SÖK- TAK SİLİNDİRİ, KAZICI (OP)
QUICK COUPLER CYLINDER, BACKHOE (OP)

No	Parça No	Parça Adı	Description	Adet	S.K.	Bas.S.N	Bit.S.N	Y.K.	Not
No	Part no			Qty	SC	S/N from	S/N to	ICA	Note
0	15620150	SİLİNDİR, ÇABUK SÖK TAK	RAM, QUICK COUPLER	1					
1	S4890300	KEÇE TAKIMI, BOĞAZ	SEAL KIT, HEAD	2	(K2)				
2	45151516	TESİSAT BORUSU	PIPE	1					
3	80624316	NİPEL	ADAPTER	1					
4	N163570157	T- NİPEL	TEE	1					
5	N030000005	O-RİNGLİ PUL	WASHER	1					
6	45151515	TESİSAT BORUSU	PIPE	1					
7	N173570164	YÜKSÜKLÜ SOMUN	NUT	2					
8	N183570164	YÜKSÜK	RING	2					
9	15620151	SİLİNDİR, ÇABUK SÖK TAK	RAM, QUICK COUPLER	1					
10	20920045	SİLİNDİR BORUSU	CYLINDER	1					
11	20042010	SİLİNDİR MILİ	ROD	2					
12	N050221220	SEGMAN	RETAINING RING	2					
13	N105303807	TOZ KEÇESİ	SEAL DUST	1	K2				
14	N104304007	BOGAZ KEÇESİ	U-CAP	1	K2				
15	N102004535	O-RİNG	O-RING	1	K2				
16	20200700	BOĞAZ, SİLİNDİR	HEAD, CYLINDER	2					
17	N103345018	PİSTON KEÇESİ	SEAL, PISTON	1	K1				
18	N102002935	O-RİNG	O-RING, PISTON	1	K1				
19	N153430438	SETSKUR	SETSCREW	2					
20	20100500	PİSTON	PISTON	2					
21	S4880300	KEÇE TAKIMI, PİSTON	SEAL KIT, PISTON	2	(K1)				

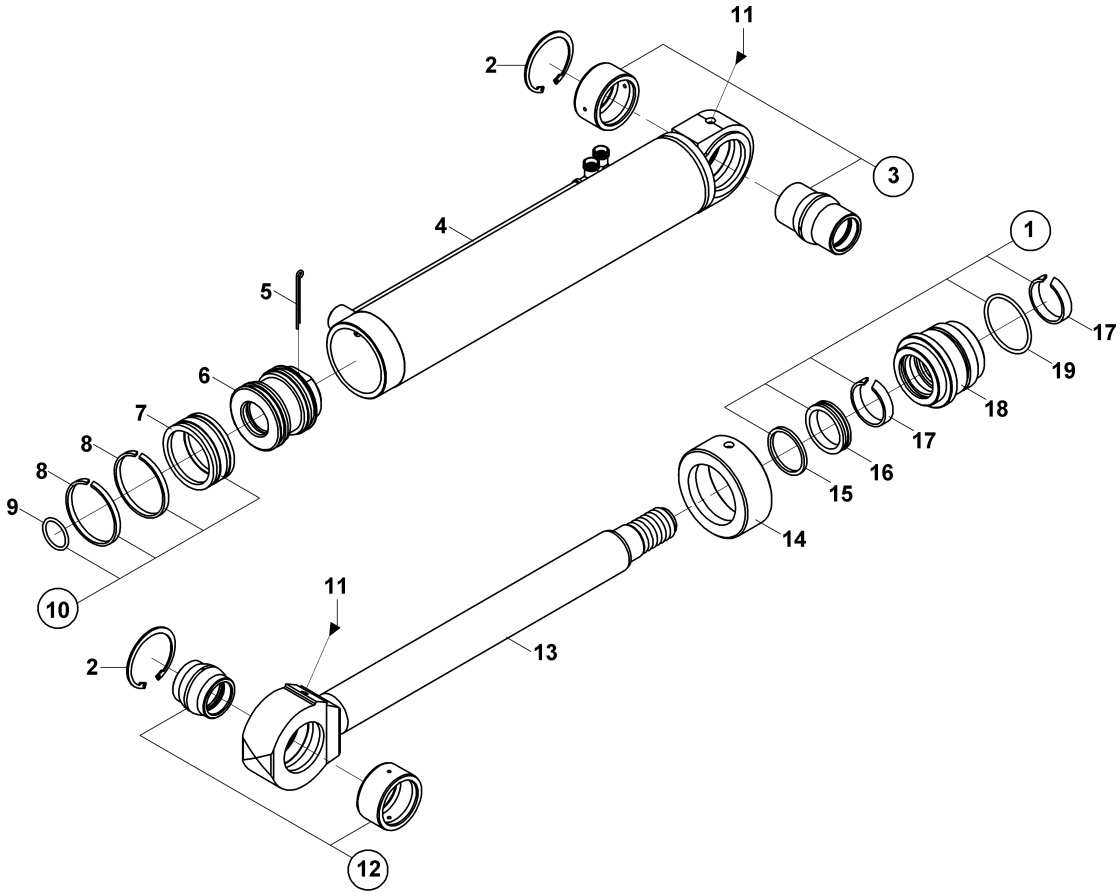
TESVİYE KÜREĞİ SİLİNDİRİ (OP)
LEVELLING BLADE CYLINDER, (OP)



TESVİYE KÜREĞİ SİLİNDİRİ (OP)
LEVELLING BLADE CYLINDER, (OP)

No	Parça No	Parça Adı	Description	Adet	S.K.	Bas.S.N	Bit.S.N	Y.K.	Not
No	Part no			Qty	SC	S/N from	S/N to	ICA	Note
0	15020083	SİLİNDİR, TESVİYE KÜREĞİ	RAM, LEVELLING BLADE	1					
1	N102009029	O-RİNG	O-RING	1	K1				
2	80201180	İÇ BURÇ	BUSHING	1					
3	20842240	SİLİNDİR MILİ	ROD	1					
4	20314080	KAPAK	CAP	1					
5	N105505805	TOZ KECESİ	SCRAPER	1	K1				
6	N104506013	KEÇE	U-CAP	1	K1				
7	N100505597	YATAKLAMA BANDI	GUIDE RING	2					
8	20214080	BOGAZ	CAP, END	1					
9	N102007340	O-RİNG	O-RING	1					
10	S4891220	BOGAZ TAMİR TAKIMI	SEAL KIT, END CAP	1	(K1)				
11	N103668000	PİSTON KEÇESİ	SEAL, PISTON	1					
12	N101748065	YATAKLAMA BANDI	GUIDE RING	2	K1				
13	20120500	PİSTON	PISTON	1					
14	N102004935	ORİN-G	ORIN-G	1	K2				
15	N043120686	VİDA	SCREW	1					
16	N099001060	CELİK BİLYA	STEEL BALL	1					
17	S4880803	PİSTON TAMİR TAKIMI	SEAL KIT, PISTON	1	(K2)				
18	80201218	BURÇ	BUSHING	1					
19	20921162	SİLİNDİR BORUSU	CYLINDER	1					
20	N107506506	TAMPON KEÇESİ	U-CAP	1	K1				
21	N102007420	O-RİNG	O-RING	1	K1				

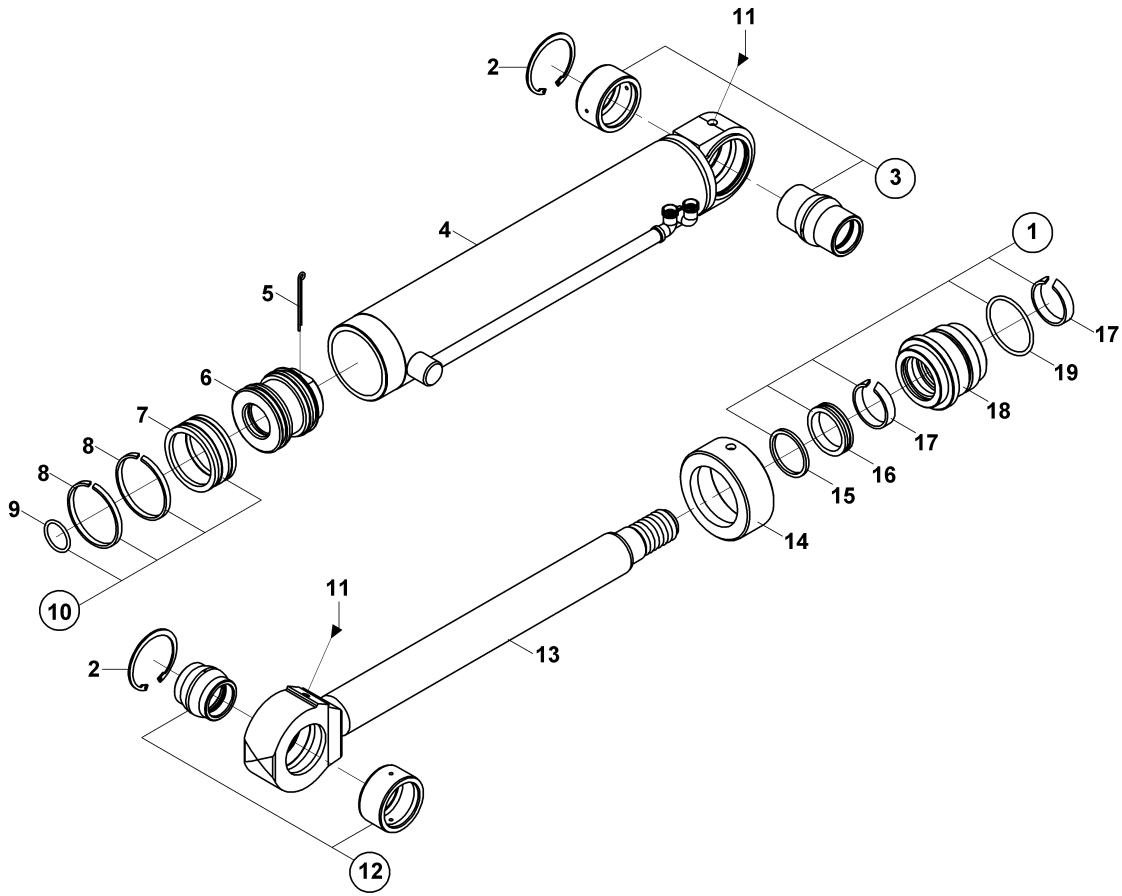
TESVİYE KÜREĞİ SİLİNDİRİ (ÇİFT EKSENLİ) SAĞ (OP)
LEVELLING BLADE CYLINDER (DOUBLE AXIS) RH (OP)



**TESVİYE KÜREĞİ SİLİNDİRİ (ÇİFT EKSENLİ) SAĞ (OP)
LEVELLING BLADE CYLINDER (DOUBLE AXIS) RH (OP)**

No	Parça No	Parça Adı	Description	Adet	S.K.	Bas.S.N	Bit.S.N	Y.K.	Not
No	Part no			Qty	SC	S/N from	S/N to	ICA	Note
0	15020610	SİLİNDİR KOMPLESİ, TESVİYE KÜREĞİ, SAĞ	CYLINDER ASS'Y, LEVELLING BLADE, RH	1					
1	S4890800	KEÇE TAKIMI, BOĞAZ	SEAL KIT, HEAD	1					
2	N050220200	SEGMAN	RETAINING RING	2					
3	20700410	BURÇ, MAFSAL	BUSHING, SPHERICAL	1					
4	20921070	SİLİNDİR BORUSU K.K.	CYLINDER TUBE W.A.	1					
5	N061005100	GUPİLYA	COTTER PIN	1					
6	20105600	PİSTON	PISTON	1					
7	N103668000	PİSTON KEÇESİ	SEAL, PISTON	1					
8	N101748065	YATAKLAMA BANDI	GUIDE RING	2	K1				
9	N102003935	O-RİNG	O-RING, PISTON	1	K1				
10	S4880801	KEÇE TAKIMI, PİSTON	SEAL KIT, PISTON	1	(K1)				
11	N081210020	NİPEL, GRES	NIPPLE, GREASE	2					
12	20700400	BURÇ, MAFSAL	BUSHING, SPHERICAL	1					
13	20814200	SİLİNDİR MİLİ K.K.	CYLINDER ROD W.A.	1					
14	20306000	BOĞAZ KAPAĞI	HEAD COVER	1					
15	N105505804	TOZ KEÇESİ	SEAL DUST	1					
16	N104506010	BOĞAZ KEÇESİ	SEAL, HEAD	1					
17	N100505597	YATAKLAMA BANDI	GUIDE RING	2					
18	20210900	BOĞAZ, SİLİNDİR	HEAD, CYLINDER	1					
19	N102007340	O-RİNG	O-RING	1					

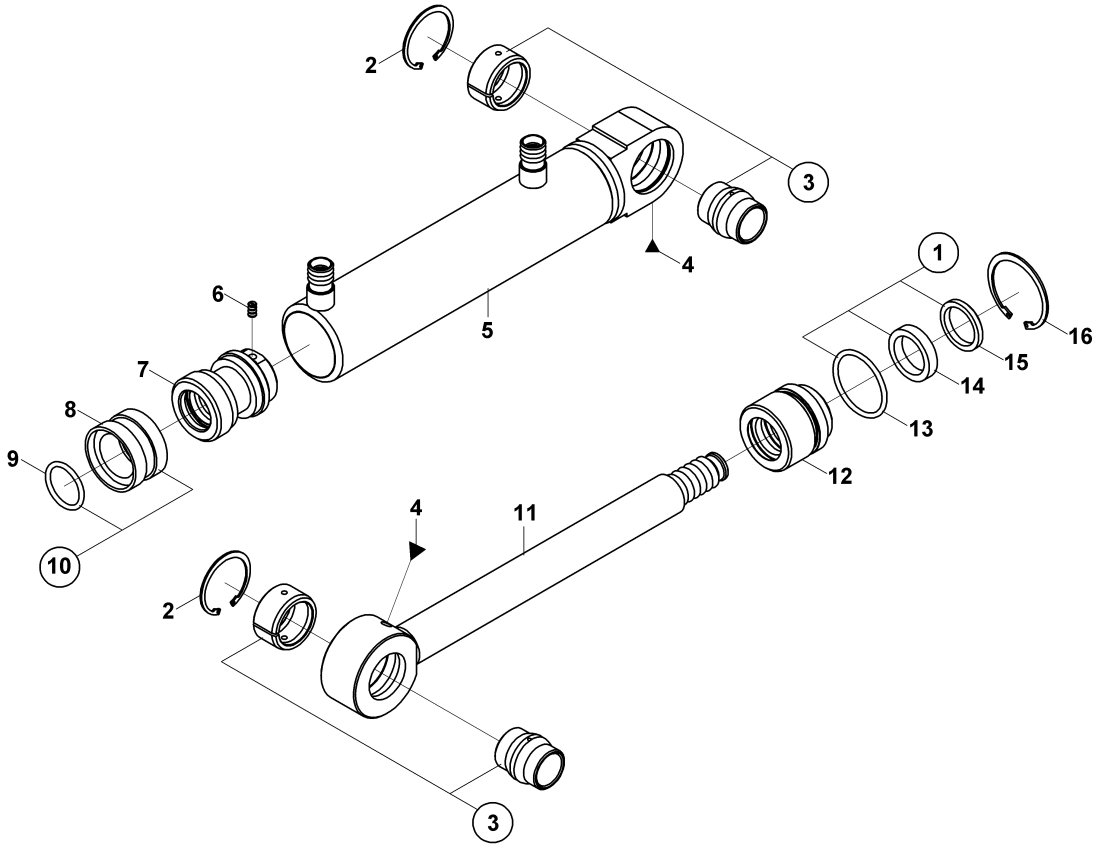
TESVİYE KÜREĞİ SİLİNDİRİ (ÇİFT EKSENLİ) SOL (OP)
LEVELLING BLADE CYLINDER (DOUBLE AXIS) LH (OP)



**TESVİYE KÜREĞİ SİLİNDİRİ (ÇİFT EKSENLİ) SOL (OP)
LEVELLING BLADE CYLINDER (DOUBLE AXIS) LH (OP)**

No	Parça No	Parça Adı	Description	Adet	S.K.	Bas.S.N	Bit.S.N	Y.K.	Not
No	Part no			Qty	SC	S/N from	S/N to	ICA	Note
0	15020600	SİLİNDİR KOMPLESİ, TESVİYE KÜREĞİ, SOL	CYLINDER ASS'Y, LEVELLING BLADE, LH	1					
1	S4890800	KEÇE TAKIMI, BOĞAZ	SEAL KIT, HEAD	1					
2	N050220200	SEGMAN	RETAINING RING	2					
3	20700410	BURÇ, MAFSAL	BUSHING, SPHERICAL	1					
4	20921060	SİLİNDİR BORUSU K.K.	CYLINDER TUBE W.A.	1					
5	N061005100	GUPİLYA	COTTER PIN	1					
6	20105600	PİSTON	PISTON	1					
7	N103668000	PİSTON KEÇESİ	SEAL, PISTON	1					
8	N101748065	YATAKLAMA BANDI	GUIDE RING	2	K1				
9	N102003935	O-RİNG	O-RING, PISTON	1	K1				
10	S4880801	KEÇE TAKIMI, PİSTON	SEAL KIT, PISTON	1	(K1)				
11	N081210020	NİPEL, GRES	NIPPLE, GREASE	2					
12	20700400	BURÇ, MAFSAL	BUSHING, SPHERICAL	1					
13	20814200	SİLİNDİR MİLİ K.K.	CYLINDER ROD W.A.	1					
14	20306000	BOĞAZ KAPAĞI	HEAD COVER	1					
15	N105505804	TOZ KEÇESİ	SEAL DUST	1					
16	N104506010	BOĞAZ KEÇESİ	SEAL, HEAD	1					
17	N100505597	YATAKLAMA BANDI	GUIDE RING	2					
18	20210900	BOĞAZ, SİLİNDİR	HEAD, CYLINDER	1					
19	N102007340	O-RİNG	O-RING	1					

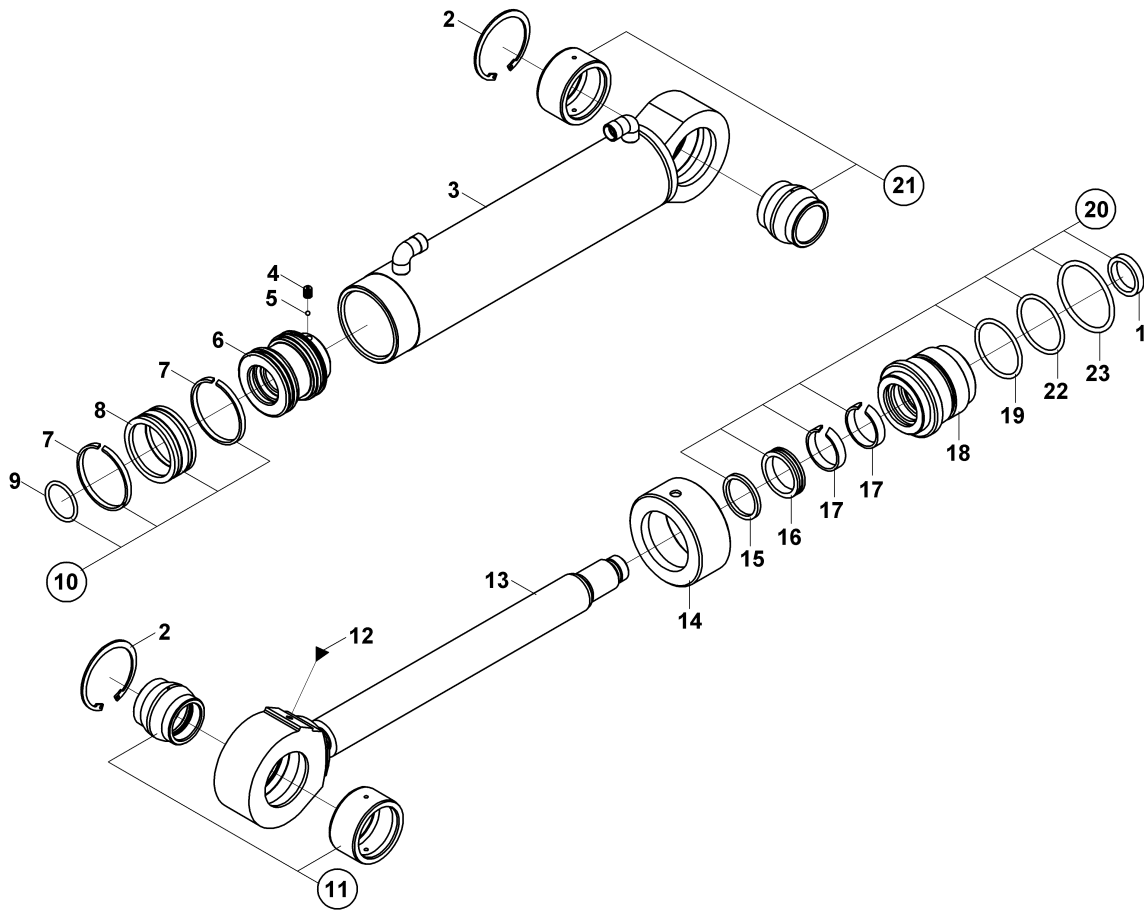
TESVİYE KÜREĞİ SİLİNDİRİ (ÇİFT EKSENLİ) MERKEZ (OP)
LEVELLING BLADE CYLINDER (DOUBLE AXIS) CENTER (OP)



**TESVİYE KÜREĞİ SİLİNDİRİ (ÇİFT EKSENLİ) MERKEZ (OP)
LEVELLING BLADE CYLINDER (DOUBLE AXIS) CENTER (OP)**

No	Parça No	Parça Adı	Description	Adet	S.K.	Bas.S.N	Bit.S.N	Y.K.	Not
No	Part no			Qty	SC	S/N from	S/N to	ICA	Note
0	15620050	SİLİNDİR KOMPLESİ, TESVİYE KÜREĞİ	CYLINDER ASS'Y, LEVELLING BLADE	1					
1	S4890300	KEÇE TAKIMI, BOĞAZ	SEAL KIT, HEAD	1	(K2)				
2	N050220114	SEGMAN	RETAINING RING	2					
3	20700200	BURÇ, MAFSAL	BUSHING, SPHERICAL	2					
4	N081210020	NİPEL, GRES	NIPPLE, GREASE	2					
5	20920050	SİLİNDİR BORUSU K.K.	CYLINDER TUBE W.A.	1					
6	N153430438	SETSKUR	SETSCREW	1					
7	20100500	PİSTON	PISTON	1					
8	N103345018	PİSTON KEÇESİ	SEAL, PISTON	1	K1				
9	N102003035	O-RİNG	O-RING, PISTON	1	K1				
10	S4880300	KEÇE TAKIMI, PİSTON	SEAL KIT, PISTON	1	(K1)				
11	20842020	SİLİNDİR MILİ K.K.	CYLINDER ROD W.A.	1					
12	20200700	BOĞAZ, SİLİNDİR	HEAD, CYLINDER	1					
13	N102004535	O-RİNG	O-RING	1	K2				
14	N104304009	BOĞAZ KEÇESİ	SEAL, HEAD	1	K2				
15	N105303807	TOZ KEÇESİ	SEAL DUST	1	K2				
16	N050900062	SEGMAN	RETAINING RING	1					

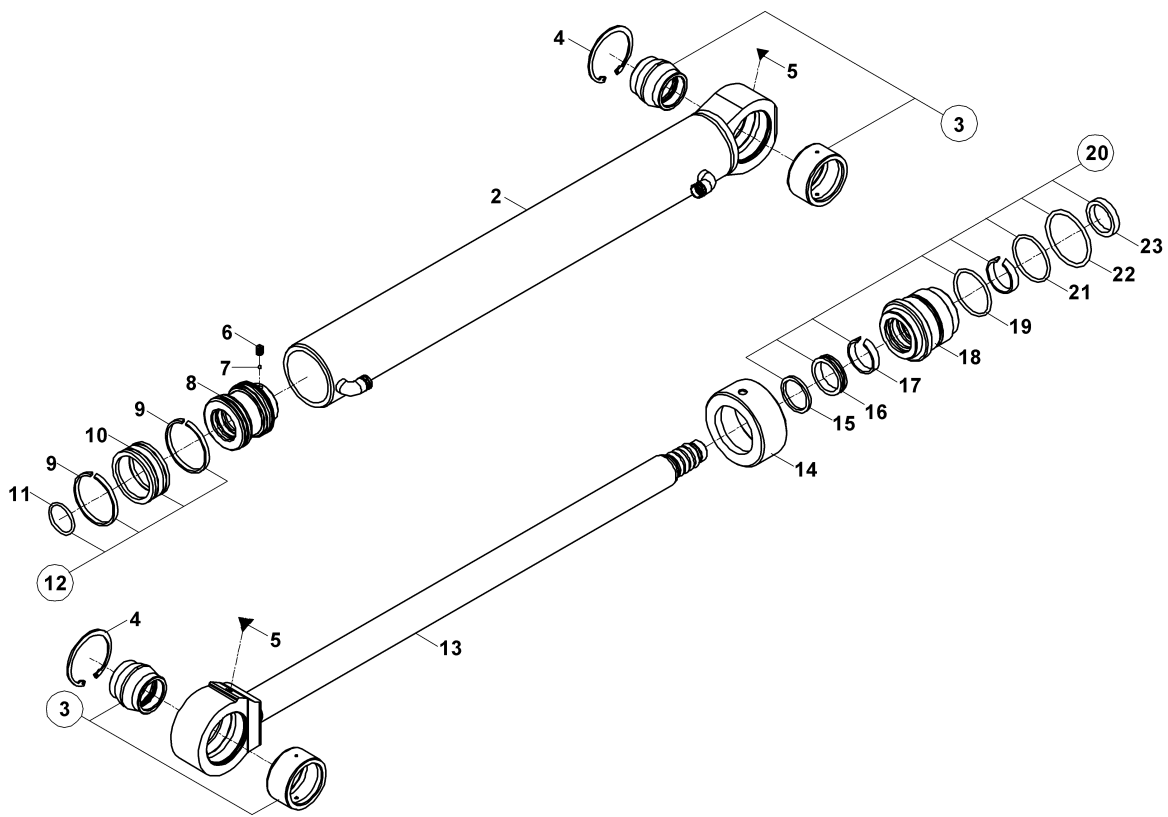
TOMRUK YÜKLEYİCİ SİLİNDİRİ (OP) LOG GRAPPLE CYLINDER (OP)



TOMRUK YÜKLEYİCİ SİLİNDİRİ (OP)
LOG GRAPPLE CYLINDER (OP)

No	Parça No	Parça Adı	Description	Adet	S.K.	Bas.S.N	Bit.S.N	Y.K.	Not
No	Part no			Qty	SC	S/N from	S/N to	ICA	Note
0	15420201	SİLİNDİR KOMPLESİ, TOMRUK ATAŞMANI	CYLINDER ASS'Y, LOG GRAPPLE	1					
1	N107405506	TAMPON KEÇE	BUFFER SEAL	1	K2				
2	N050220200	SEGMAN	RETAINING RING	2					
3	20920561	SİLİNDİR BORUSU K.K.	CYLINDER TUBE W.A.	1					
4	N043120686	VİDA	SCREW	1					
5	N099001060	CELİK BİLYA	STEEL BALL	1					
6	20120450	PİSTON	PISTON	1					
7	N101657056	YATAKLAMA BANDI, PİSTON	WEAR RING, PISTON	2	K1				
8	N103587000	PİSTON KEÇESİ	PISTON SEAL	1	K1				
9	N102004035	O-RİNG, PİSTON	O-RING, PISTON	1					
10	S4880710	KEÇE TAKIMI, PİSTON	SEAL KIT, PISTON	1	(K1)				
11	20700410	BURÇ, MAFSAL	BUSHING, SPHERICAL	1					
12	N081210020	NİPEL, GRES	NIPPLE, GREASE	1					
13	20842030	SİLİNDİR MİLİ K.K.	CYLINDER ROD W.A.	1					
14	20314070	BOĞAZ KAPAĞI	HEAD COVER	1					
15	N104405013	TOZ KEÇESİ	SEAL, HEAD	1	K2				
16	N105404805	TOZ KEÇESİ	SEAL DUST	1	K2				
17	N100404597	YATAKLAMA BANDI	GUIDE RING, HEAD	2	K2				
18	20214070	BOĞAZ, SİLİNDİR	HEAD, CYLINDER	1					
19	N102006440	O-RİNG	O-RING	1	K2				
20	S4891210	KEÇE TAKIMI, BOĞAZ	SEAL KIT, HEAD	1	(K2)				
21	20700400	BURÇ, MAFSAL	BUSHING, SPHERICAL	1					
22	N102008030	O-RİNG, BOĞAZ	O-RING, CLINDER HEAD	1	K2				
23	N102006420	O-RİNG, BOĞAZ	O-RING, CLINDER HEAD	1	K2				

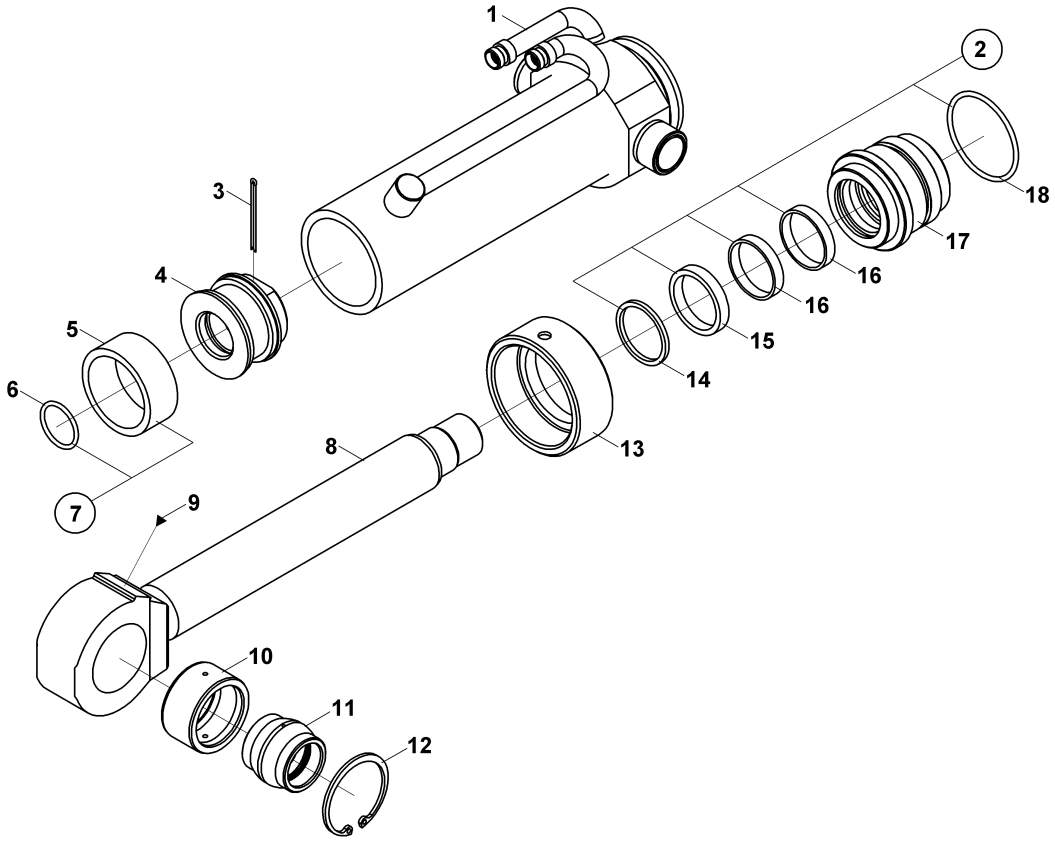
TOMRUK YÜKLEYİCİ SİLİNDİRİ (HAREKETLİ) (OP)
LOG GRAPPLE CYLINDER (WITH VERTICAL MOVEMENT) (OP)



TOMRUK YÜKLEYİCİ SİLİNDİRİ (HAREKETLİ) (OP)
LOG GRAPPLE CYLINDER (WITH VERTICAL MOVEMENT) (OP)

No	Parça No	Parça Adı	Description	Adet	S.K.	Bas.S.N	Bit.S.N	Y.K.	Not
No	Part no			Qty	SC	S/N from	S/N to	ICA	Note
0	15420411	SİLİNDİR KOMPLESİ, TOMRUK YÜKLEYİCİ	CYLINDER ASS'Y, LOG GRAPPLE	1					
2	20920577	SİLİNDİR BORUSU K.K.	CYLINDER TUBE W.A.	1					
3	20700400	BURÇ, MAFSAL	BUSHING, SPHERICAL	2					
4	N050220200	SEGMAN	RETAINING RING	2					
5	N081210020	NİPEL, GRES	NIPPLE, GREASE	2					
6	N043120686	VİDA	SCREW	1					
7	N099001060	CELİK BİLYA	STEEL BALL	1					
8	20120450	PİSTON	PISTON	1					
9	N101657056	YATAKLAMA BANDI, PİSTON	WEAR RING, PISTON	2	K1				
10	N103587000	PİSTON KEÇESİ	PISTON SEAL	1	K1				
11	N102004035	O-RİNG, PİSTON	O-RING, PISTON	1					
12	S4880710	KEÇE TAKIMI, PİSTON	SEAL KIT, PISTON	1	(K1)				
13	20842115	SİLİNDİR MİLİ K.K.	CYLINDER ROD W.A.	1					
14	20314070	BOĞAZ KAPAĞI	HEAD COVER	1					
15	N105404805	TOZ KEÇESİ	SEAL DUST	1	K2				
16	N104405013	TOZ KEÇESİ	SEAL, HEAD	1	K2				
17	N100404597	YATAKLAMA BANDI	GUIDE RING, HEAD	2	K2				
18	20211105	BOĞAZ, SİLİNDİR	HEAD, CYLINDER	1					
19	N102006440	O-RİNG	O-RING	1	K2				
20	S4891210	KEÇE TAKIMI, BOĞAZ	SEAL KIT, HEAD	1	(K2)				
21	N102008030	O-RİNG, BOĞAZ	O-RING, CLINDER HEAD	1	K2				
22	N102006420	O-RİNG, BOĞAZ	O-RING, CLINDER HEAD	1	K2				
23	N107405506	TAMPON KEÇE	BUFFER SEAL	1	K2				

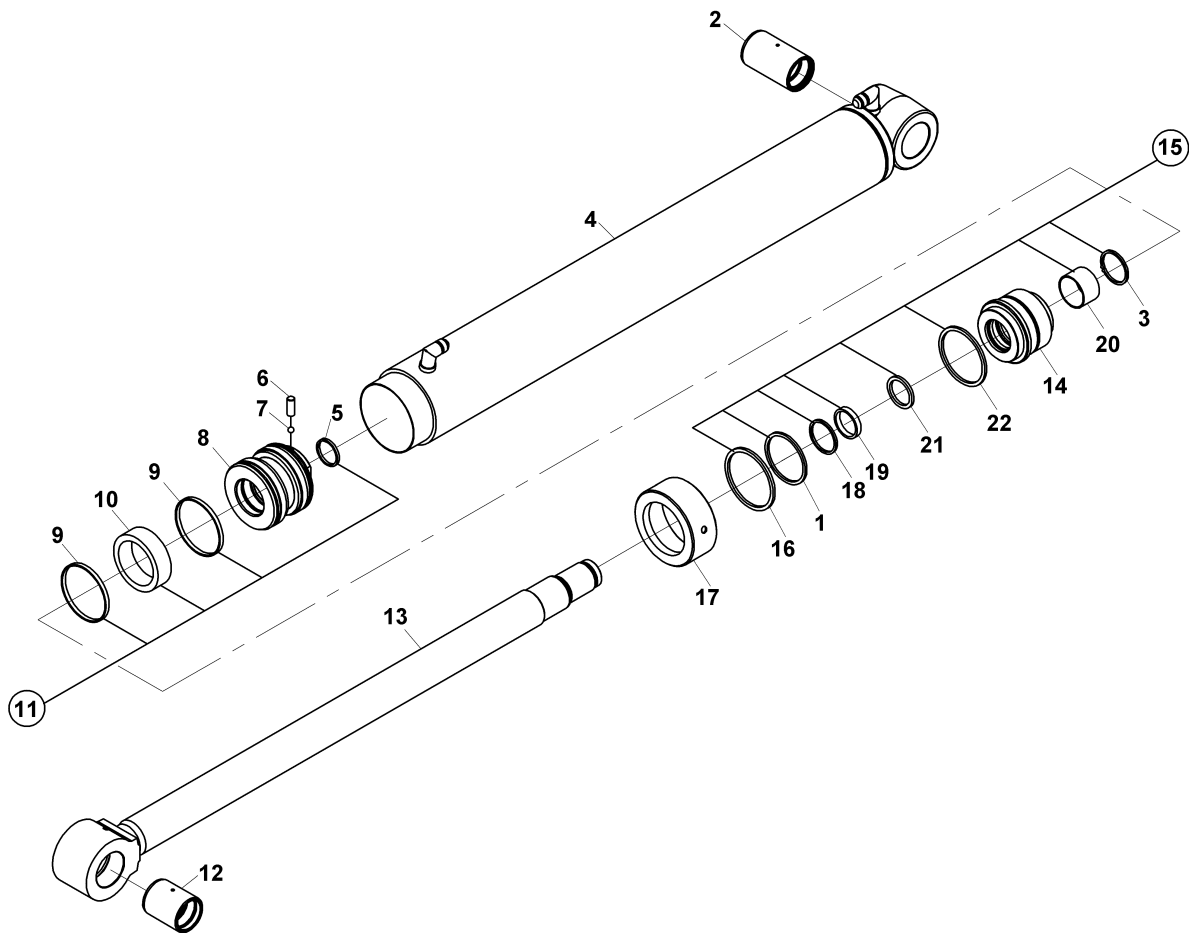
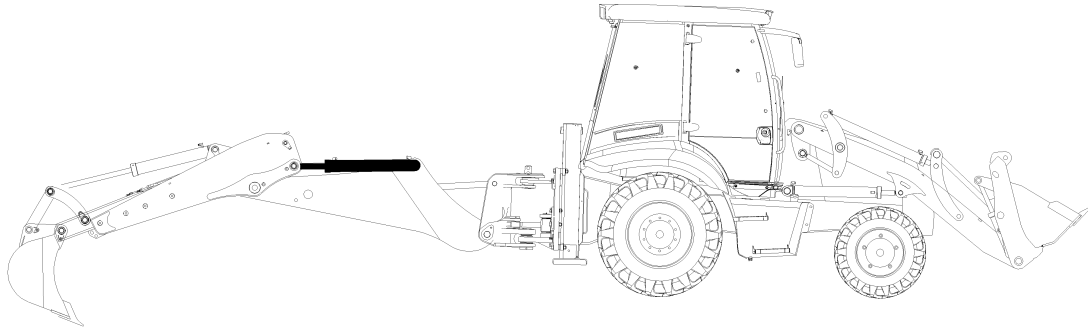
DÖNERLİ KANAL KEPÇESİ SİLİNDİRİ (OP)
TILTING BUCKET CYLINDER (OP)



DÖNERLİ KANAL KEPÇESİ SİLİNDİRİ (OP)
TILTING BUCKET CYLINDER (OP)

No	Parça No	Parça Adı	Description	Adet	S.K.	Bas.S.N	Bit.S.N	Y.K.	Not
No	Part no			Qty	SC	S/N from	S/N to	ICA	Note
0	15120910	SİLİNDİR KOMPLESİ, DÖNERLİ KANAL KEPÇESİ	CYLINDER ASS'Y, TILTING BUCKET	1					
1	20920910	SİLİNDİR BORUSU K.K.	CYLINDER TUBE W.A.	1					
2	S4890800	KEÇE TAKIMI, BOĞAZ	SEAL KIT, HEAD	1					
3	N061005100	GUPİLYA	COTTER PIN	1					
4	20110900	PİSTON	PISTON	1					
5	N103668000	PİSTON KEÇESİ	SEAL, PISTON	1					
6	N102004035	O-RİNG, PİSTON	O-RING, PISTON	1					
7	S4880802	KEÇE TAKIMI, PİSTON	SEAL KIT, PISTON	1					
8	20810900	SİLİNDİR MİLİ K.K.	CYLINDER ROD W.A.	1					
9	N081210020	NİPEL, GRES	NIPPLE, GREASE	1					
10	80205200	BURÇ, MAFSAL	BUSHING, SPHERICAL	1					
11	80204212	BURÇ, MAFSAL	BUSHING, SPHERICAL	1					
12	N050220200	SEGMAN	RETAINING RING	1					
13	20306000	BOĞAZ KAPAĞI	HEAD COVER	1					
14	N105505804	TOZ KEÇESİ	SEAL DUST	1					
15	N104506010	BOĞAZ KEÇESİ	SEAL, HEAD	1					
16	N100505597	YATAKLAMA BANDI	GUIDE RING	2					
17	20210900	BOĞAZ, SİLİNDİR	HEAD, CYLINDER	1					
18	N102007340	O-RİNG	O-RING	1					

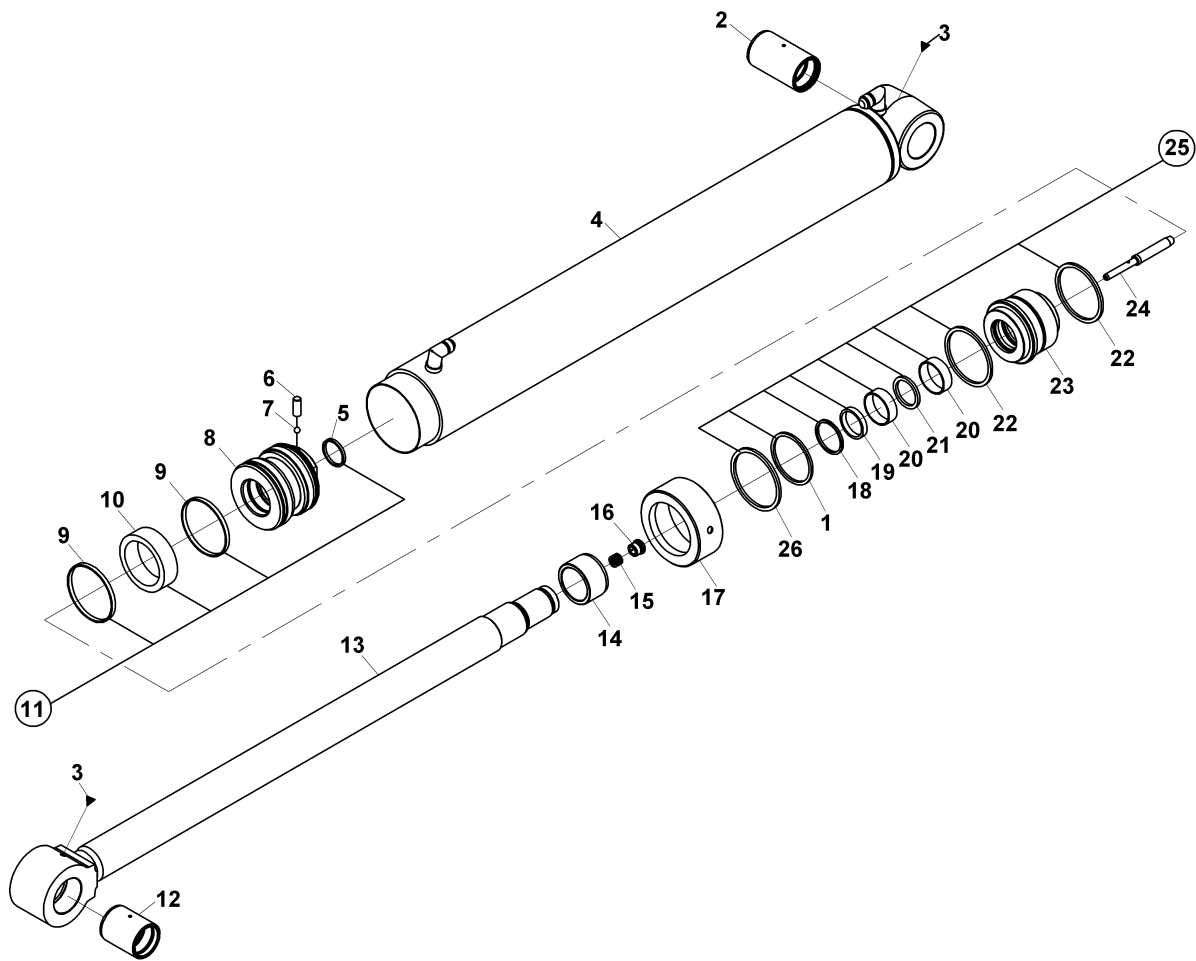
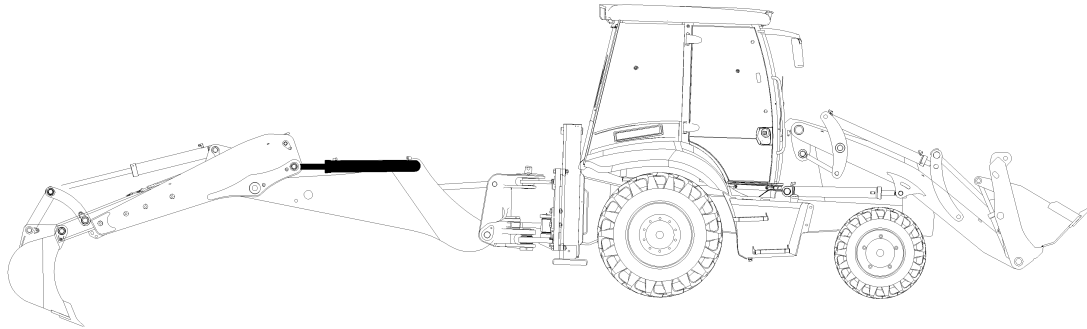
ARM SİLİNDİRİ, KAZICI ARM CYLINDER, BACKHOE



ARM SİLİNDİRİ, KAZICI
ARM CYLINDER, BACKHOE

No	Parça No	Parça Adı		Adet	S.K.	Bas.S.N	Bit.S.N	Y.K.	Not
No	Part no	Description		Qty	SC	S/N from	S/N to	ICA	Note
0	15320700	SİLİNDİR, DEVİRİCİ, KAZICI	RAM, DIPPER, BACKHOE	1					
1	N102010520	BOGAZ O-RİNGİ	O-RING, END CAP	1					
2	80201513	SERT BURC	BUSHING	1					
3	N051350050	SEGMAN	RING	1					
4	20920358	SİLİNDİR BORUSU	CYLINDER	1					
5	N102005935	PİSTON O-RİNGİ	O-RING, PISTON	1					
6	N043120710	VIDALI PİM	SETSCREW	1					
7	N099001060	CELİK BİLYA	STEEL BALL	1					
8	20180063	PİSTON	PISTON	1					
9	N101911597	YATAKLAMA BANDI	GUIDE RING	2					
10	N103991156	PİSTON KECESİ	SEAL, PISTON	1					
11	S4881157	PİSTON TAMİR TAKIMI	SEAL KIT, PISTON	1					
12	80201375	SERT BURÇ	BUSHING	1					
13	20842618	SİLİNDİR MİLİ	ROD	1					
14	20211087	BOGAZ	CAP, END	1					
15	S4891157	BOGAZ TAMİR TAKIMI	SEAL KIT, END CAP	1					
16	N102009936	O-RİNG	O-RING	1					
17	20314115	KAPAK	COVER	1					
18	N105607006	BOGAZ TOZ KECESİ	SCRAPER	1					
19	N104607015	BOGAZ KECESİ	U-CAP	1					
20	N100006030	BOĞAZ BURCU	BUSHING	1					
21	N104607506	BOGAZ TAMPON KECESİ	SEAL	1					
22	N102012630	BOGAZ O-RİNGİ	O-RING, END CAP	1					

ARM SİLİNDİRİ, KAZICI ARM CYLINDER, BACKHOE



ARM SİLİNDİRİ, KAZICI
ARM CYLINDER, BACKHOE

No	Parça No	Parça Adı	Adet	S.K.	Bas.S.N	Bit.S.N	Y.K.	Not
No	Part no	Description	Qty	SC	S/N from	S/N to	ICA	Note
0	15520217	SİLİNDİR, DEVİRİCİ, KAZICI	1					
1	N102009020	BOGAZ O-RİNGİ	1					
2	80201360	SERT BURÇ	1					
3	N081210020	NİPEL, GRES	2					
4	20920175	SİLİNDİR BORUSU	1					
5	N102005634	PİSTON O-RİNGİ	1					
6	N043120710	VIDALI PİM	1					
7	N099001060	CELİK BİLYA	1					
8	20120755	PİSTON	1					
9	N101949965	YATAKLAMA BANDI	2					
10	N103861000	PİSTON KECESİ	1					
11	S4881007	PİSTON TAMİR TAKIMI	1					
12	80201356	SERT BURÇ	1					
13	20843310	SİLİNDİR MİLİ	1					
14	80201510	FRENLEME BİLEZİĞİ	1					
15	80702000	YAY	1					
16	80611020	YATAK RAKORU	1					
17	20314100	KAPAK	1					
18	N105607006	BOGAZ TOZ KECESİ	1					
19	N104607015	BOGAZ KECESİ	1					
20	N100606515	YATAKLAMA BANDI	2					
21	N104607506	BOGAZ TAMPON KECESİ	1					
22	N102009435	BOGAZ O-RİNGİ	2					
23	20221000	BOGAZ	1					
24	80107060	FREN MİLİ	1					
25	S4891240	BOGAZ TAMİR TAKIMI	1					
26	N102011003	BOGAZ O-RİNGİ	1					

TABLA KAYDIRMA SİLİNDİRİ, DIŞ (OP)
POWER SLIDER CYLINDER, OUTER (OP)

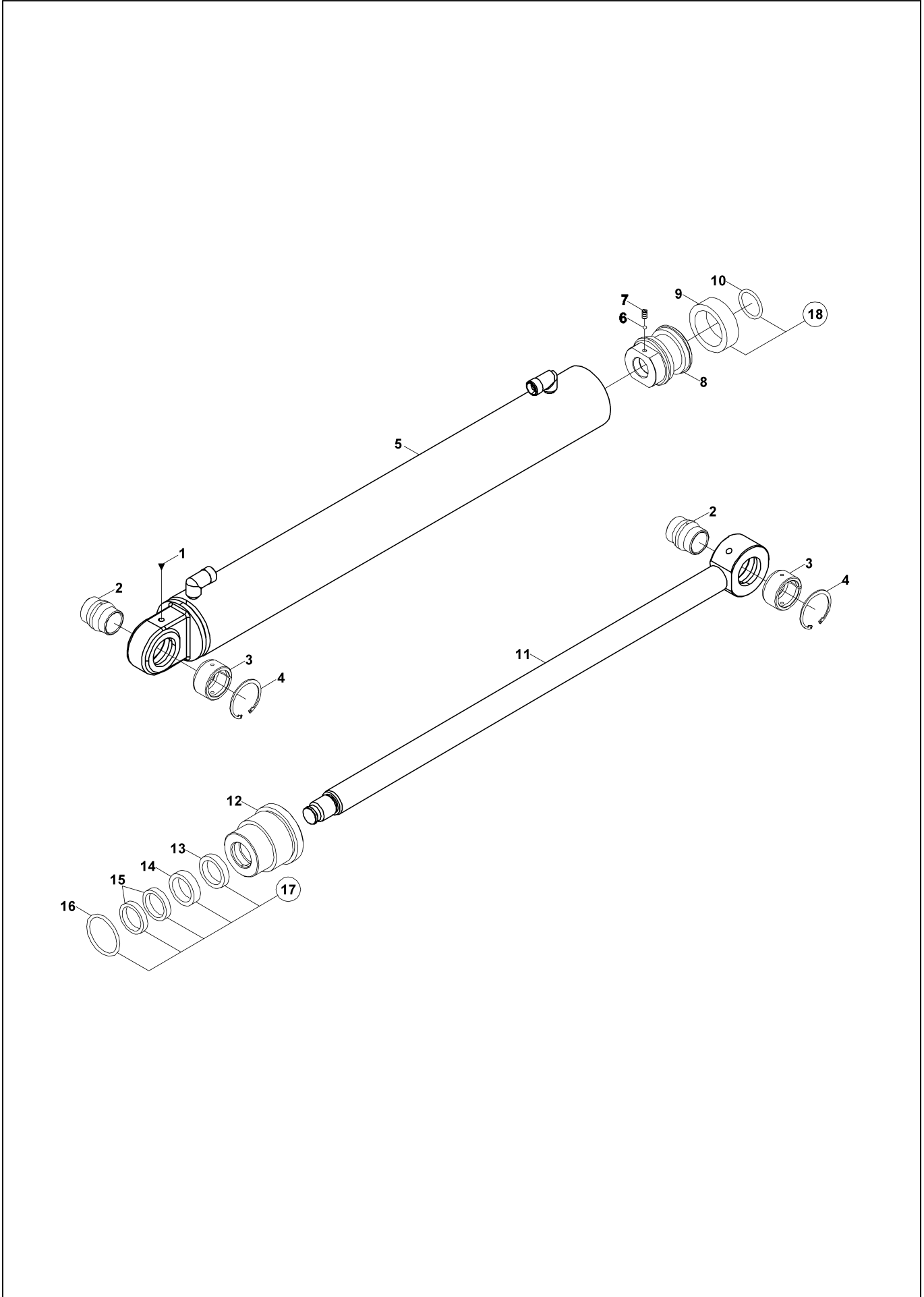


TABLA KAYDIRMA SİLİNDİRİ, DIŞ (OP)
POWER SLIDER CYLINDER, OUTER (OP)

No	Parça No	Parça Adı	Description	Adet	S.K.	Bas.S.N	Bit.S.N	Y.K.	Not
No	Part no			Qty	SC	S/N from	S/N to	ICA	Note
0	15220164	SİLİNDİR SİLİNDİR KOMPLESİ, KIVIRICI, KAZICI	CYLINDER ASS'Y, BUCKET, BACKHOE	1					
1	N081210020	NİPEL, GRES	NIPPLE, GREASE	2					
2	80204070	BURÇ	BUSHING	2					
3	80205100	BURÇ	BUSHING	2					
4	N050220114	SEGMAN	RETAINING RING	2					
5	20920068	SİLİNDİR BORUSU K.K.	CYLINDER TUBE W.A.	1					
6	N099001000	BİLYE	BALL	1					
7	N043120638	SETSKUR	SETSCREW	1					
8	20102055	PİSTON	PISTON	1					
9	N103476300	KEÇE, PİSTON	SEAL, PISTON	1	K1				
10	N102002935	O-RİNG	O-RING, PISTON	1	K1				
11	20842037	SİLİNDİR MILİ K.K.	CYLINDER ROD W.A.	1					
12	20203020	BOGAZ	CAP, END	1					
13	N105404805	TOZ KEÇESİ	SEAL DUST	1	K2				
14	N104405013	TOZ KEÇESİ	SEAL, HEAD	1	K2				
15	N100404597	YATAKLAMA BANDI	GUIDE RING, HEAD	2	K2				
16	N102005835	O-RİNG	O-RING	1	K2				
17	S4890631	KEÇE TAKIMI, BOĞAZ	SEAL KIT, HEAD	1	(K2)				
18	S4880631	KEÇE TAKIMI, PİSTON	SEAL KIT, PISTON	1	(K1)				

TABLA KAYDIRMA SİLİNDİRİ, İÇ (OP)
POWER SLIDER CYLINDER, INNER (OP)

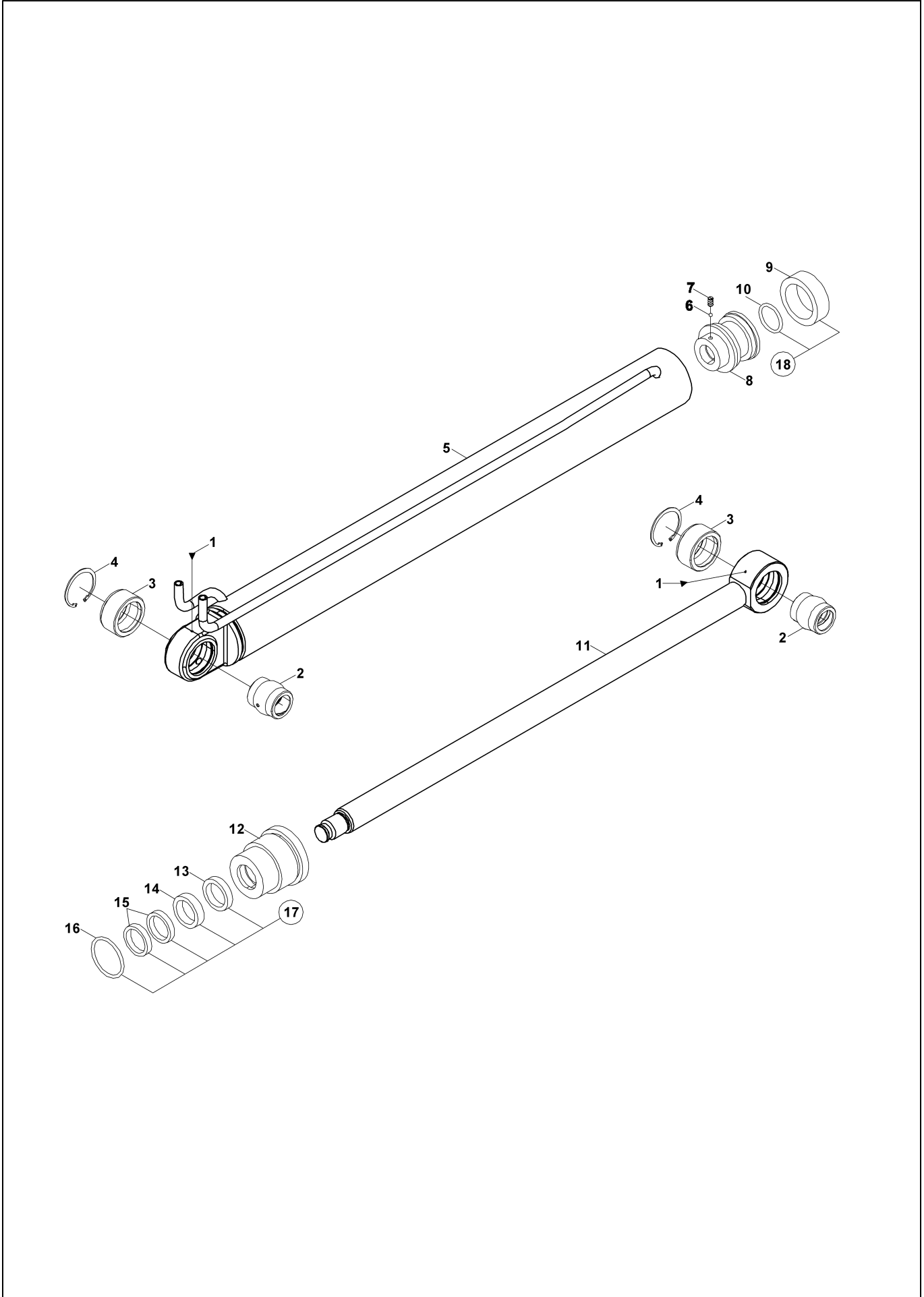
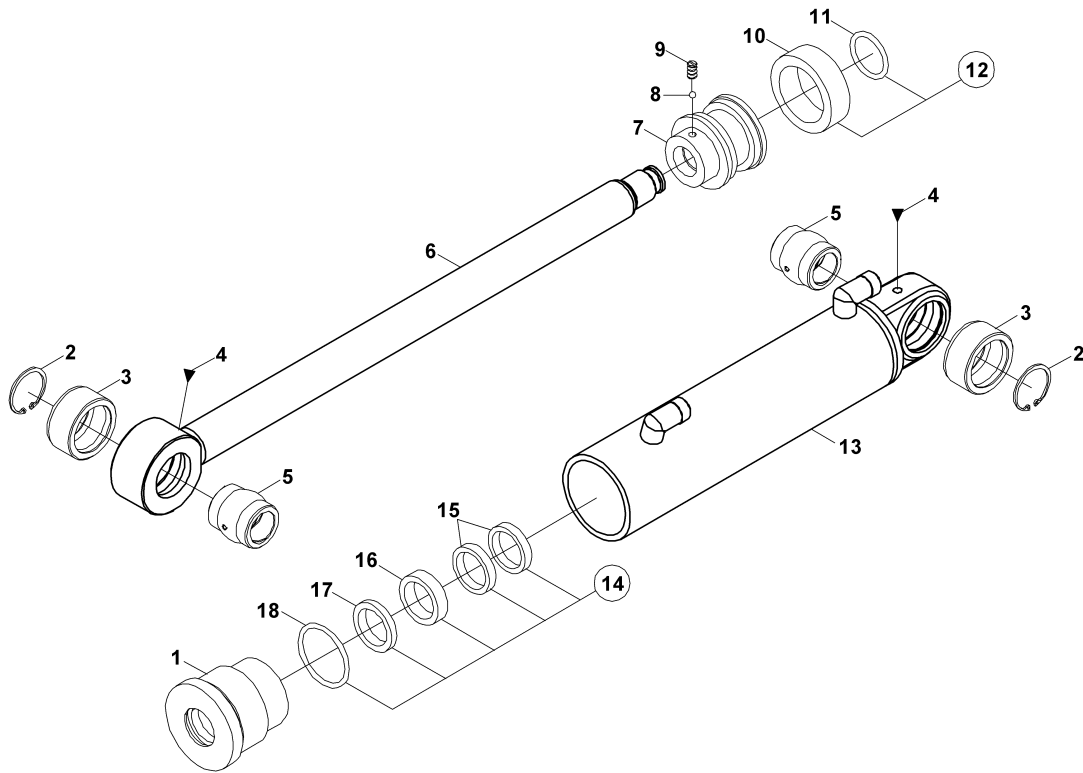


TABLA KAYDIRMA SİLİNDİRİ, İÇ (OP)
POWER SLIDER CYLINDER, INNER (OP)

No	Parça No	Parça Adı	Description	Adet	S.K.	Bas.S.N	Bit.S.N	Y.K.	Not
No	Part no			Qty	SC	S/N from	S/N to	ICA	Note
0	15220161	SİLİNDİR SİLİNDİR KOMPLESİ, KIVIRICI, KAZICI	CYLINDER ASS'Y, BUCKET, BACKHOE	1					
1	N081210020	NİPEL, GRES	NIPPLE, GREASE	2					
2	80204070	BURÇ	BUSHING	2					
3	80205100	BURÇ	BUSHING	2					
4	N050220114	SEGMAN	RETAINING RING	2					
5	20920078	SİLİNDİR BORUSU K.K.	CYLINDER TUBE W.A.	1					
6	N099001000	BİLYE	BALL	1					
7	N043120638	SETSKUR	SETSCREW	1					
8	20100600	PİSTON	PISTON	1					
9	N103446000	PİSTON KEÇESİ	SEAL, PISTON	1	K1				
10	N102002935	O-RİNG	O-RING, PISTON	1	K1				
11	20842019	SİLİNDİR MILİ K.K.	CYLINDER ROD W.A.	1					
12	20203010	BOĞAZ	HEAD, CYLINDER	1					
13	N105303807	TOZ KEÇESİ	SEAL DUST	1	K2				
14	N104304010	BOĞAZ KEÇESİ	SEAL, HEAD	1	K2				
15	N100303597	YATAKLAMA BANDI	GUIDE RING, HEAD	2	K2				
16	N102005835	O-RİNG	O-RING	1	K2				
17	S4890630	KEÇE TAKIMI, BOĞAZ	SEAL KIT, HEAD	1	(K2)				
18	S4880626	KEÇE TAKIMI, PİSTON	SEAL KIT, PISTON	1	(K1)				

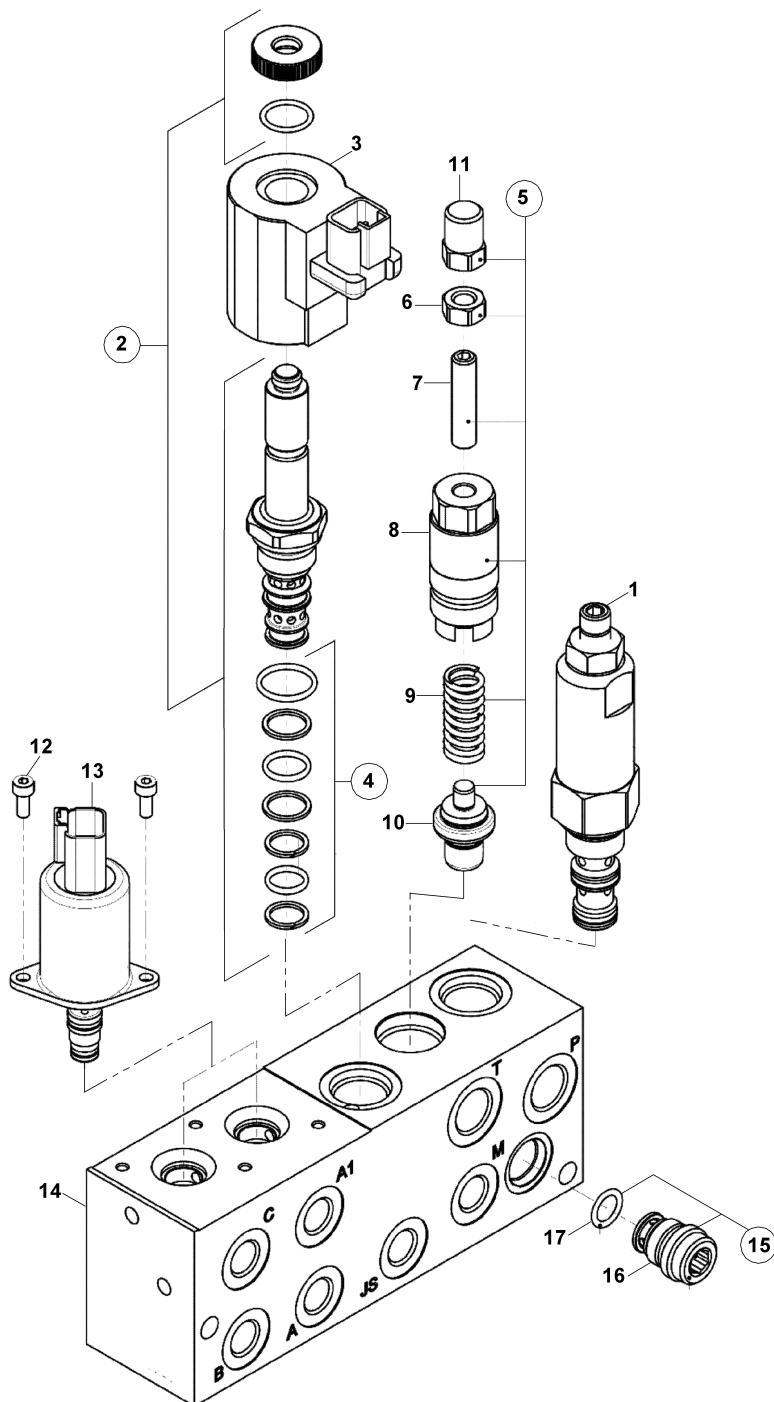
ÇEKİCİ KANCA SİLİNDİRİ TOW HOOK CYLINDER



ÇEKİCİ KANCA SİLİNDİRİ TOW HOOK CYLINDER

No	Parça No	Parça Adı	Description	Adet	S.K.	Bas.S.N	Bit.S.N	Y.K.	Not
No	Part no			Qty	SC	S/N from	S/N to	ICA	Note
0	15220200	ÇEKİ KANCASI SİLİNDİRİ KOMPLESİ	CYLINDER ASS'Y, TOW HOOK	1					
1	20203010	BOĞAZ	HEAD, CYLINDER	1					
2	N050220114	SEGMAN	RETAINING RING	2					
3	80205100	BURÇ	BUSHING	2					
4	N081210020	NİPEL, GRES	NIPPLE, GREASE	2					
5	80204070	BURÇ	BUSHING	2					
6	20842000	SİLİNDİR MILİ K.K.	CYLINDER ROD W.A.	1					
7	20100600	PİSTON	PISTON	1					
8	N099001000	BİLYE	BALL	1					
9	N043120638	SETSKUR	SETSCREW	1					
10	N103446000	PİSTON KEÇESİ	SEAL,PISTON	1	K1				
11	N102002935	O-RİNG	O-RING, PISTON	1	K1				
12	S4880301	KEÇE TAKIMI, PİSTON	SEAL KIT, PISTON	1	(K1)				
13	20920200	SİLİNDİR BORUSU K.K.	CYLINDER TUBE W.A.	1					
14	S4890301	KEÇE TAKIMI, BOĞAZ	SEAL KIT, HEAD	1	(K2)				
15	N100303597	YATAKLAMA BANDI	GUIDE RING, HEAD	2	K2				
16	N104304010	BOĞAZ KEÇESİ	SEAL, HEAD	1	K2				
17	N105303807	TOZ KEÇESİ	SEAL DUST	1	K2				
18	N102005835	O-RİNG	O-RING	1	K2				

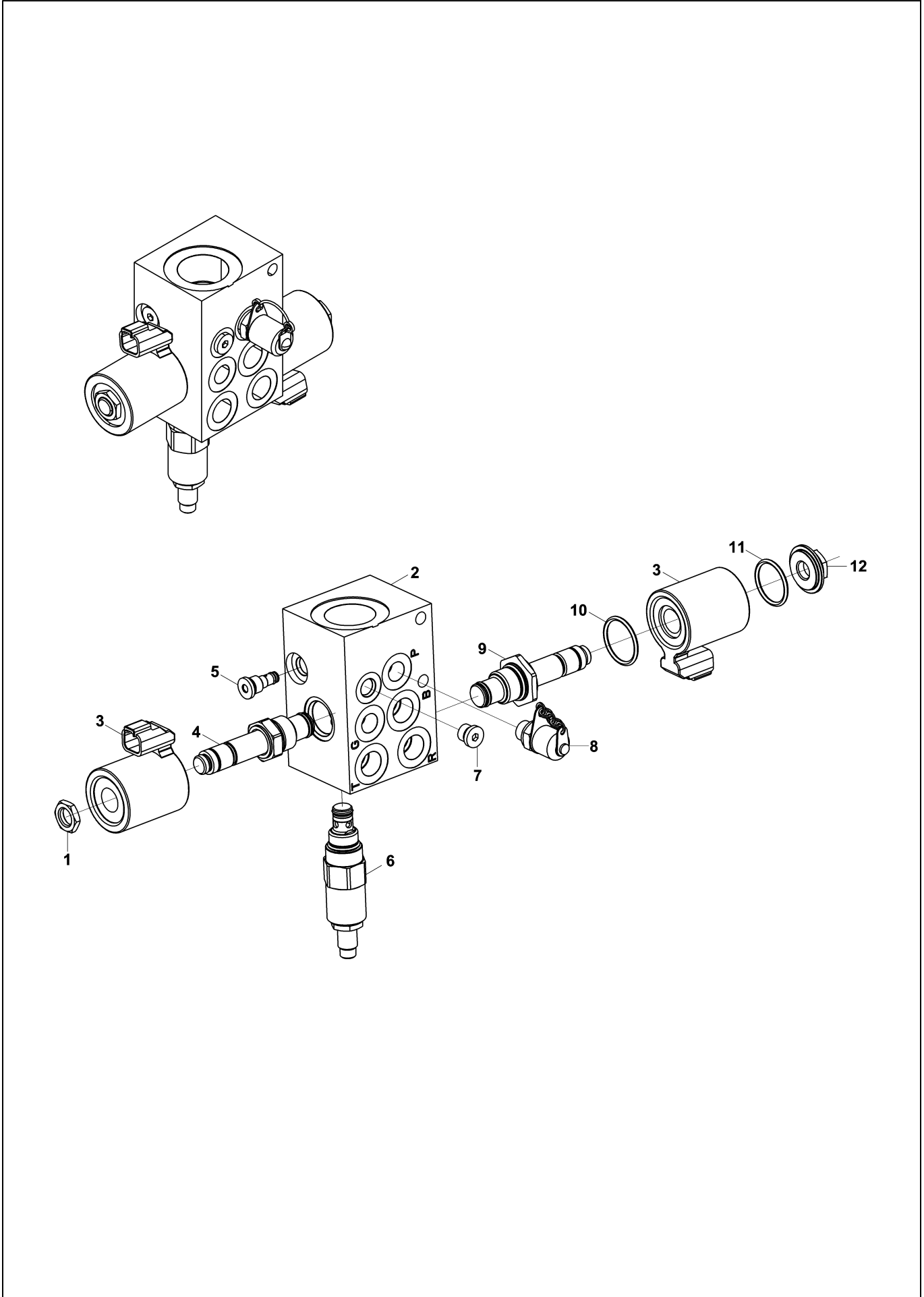
PILOT BESLEME BLOĞU (ORANSAL VALFLİ)
PILOT SUPPLY BLOCK (WITH PROPORTIONAL VALVE)



**PILOT BESLEME BLOĞU (ORANSAL VALFLİ)
PILOT SUPPLY BLOCK (WITH PROPORTIONAL VALVE)**

No	Parça No	Parça Adı	Description	Adet	S.K.	Bas.S.N	Bit.S.N	Y.K.	Not
No	Part no			Qty	SC	S/N from	S/N to	ICA	Note
0	F1873133	TOPUZ	KNOB	1					
1	S1830175	BASINÇ DÜŞÜRÜCÜ VALF, 35 BAR	PRESSURE REDUCING VALVE, 35 BAR	1					
2	S1830178	SOLENOİD VALF KOMPLESİ	SOLENOID VALVE	1					
3	S1830131	BOBİN	COIL	1					
4	S1830132	KEÇE TAKIMI	SEAL KIT	1					
5	S1830179	BASINÇ DÜŞÜRÜCÜ VALF (40 BAR)	PRESSURE SETTING, 40 BAR	1					
6	S1830133	SOMUN	NUT	1					M8
7	S1830134	VİDA	SCREW	1					
8	S1830135	YAY TUTUCU	SPRING SEAT	1					
9	S1830136	YAY	SPRING	1					
10	S1830137	KILAVUZ, GİRİŞ	INLET PART	1					
11	S1830138	SOMUN	NUT	1					M8
12	S1830139	VİDA	SCREW	4					M4x10
13	S1830140	ORANSAL VALF	PROPORTIONAL VALVE	2					
14	S1830182	BLOK, VALF	BLOCK	1					
15	S1830141	ÇEK VALF KOMPLESİ	CHECK VALVE ASS'Y	1					
16	S1830176	ÇEK VALF	CHECK VALVE	1					
17	S1830142	O-RİNG	O-RING	1					

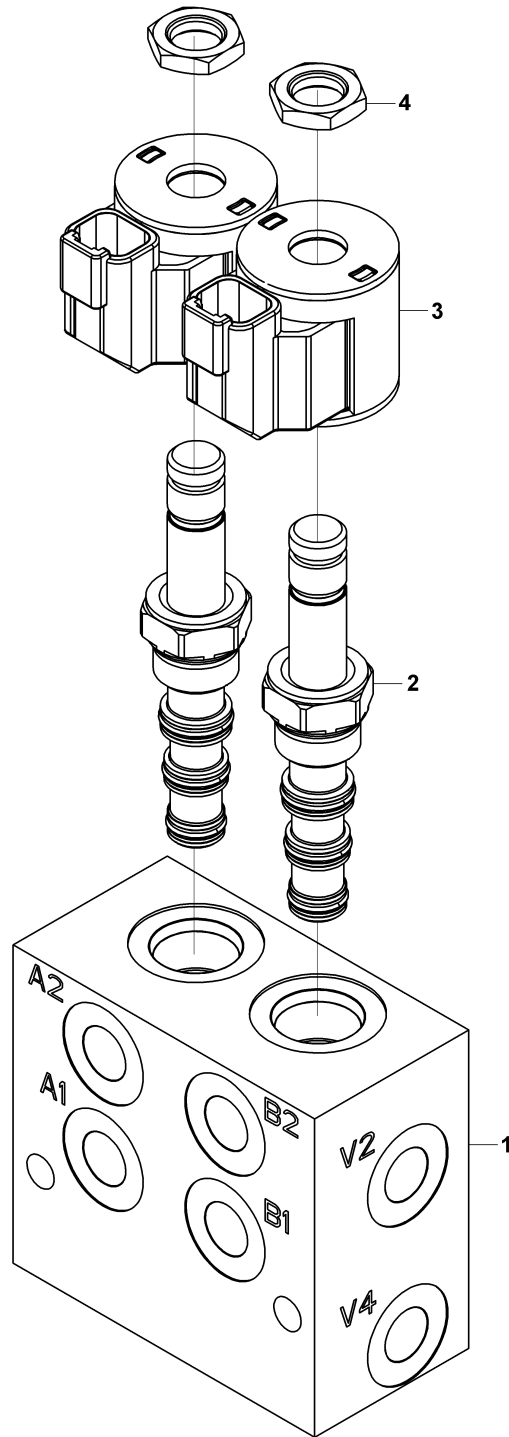
SARSINTISIZ YÜRÜYÜŞ VALFİ, MSS MSS, VALVE



**SARSINTISIZ YÜRÜYÜŞ VALFİ, MSS
MSS, VALVE**

No	Parça No	Parça Adı	Description	Adet	S.K.	Bas.S.N	Bit.S.N	Y.K.	Not
No	Part no			Qty	SC	S/N from	S/N to	ICA	Note
0	F1888110	SARSINTISIZ YÜRÜYÜŞ VALFİ	MSS VALVE	1					
1	S1881124	SOMUN	NUT	1					
2	S1888115	BLOK, VALF	BLOCK	1					
3	S1888122	BOBİN	COIL	2					
4	S1888118	SOLENOİD VALF	SOLENOID VALVE	1					
5	S1888116	ÇEK VALF	CHECK VALVE	1					
6	S1888117	RELİEF VALF	RELIEF VALVE	1					
7	S1888112	TAPA	PORT PLUG	1					
8	S1888120	MANOMETRE PRİZİ	COUPLING, PRESSURE	1					
9	S1888119	SOLENOİD VALF	SOLENOID VALVE	1					
10	S1881107	O-RİNG	WATERPROFF O-RING	1					
11	S1881106	O-RİNG	WATERPROFF O-RING	1					
12	S1888121	SOMUN	WATERPROFF COIL NUT	1					

VALF, KUMANDA DEĞİŞTİRİCİ
VALVE, PATTERN SHIFTER



**VALF, KUMANDA DEĞİŞTİRİCİ
VALVE, PATTERN SHIFTER**

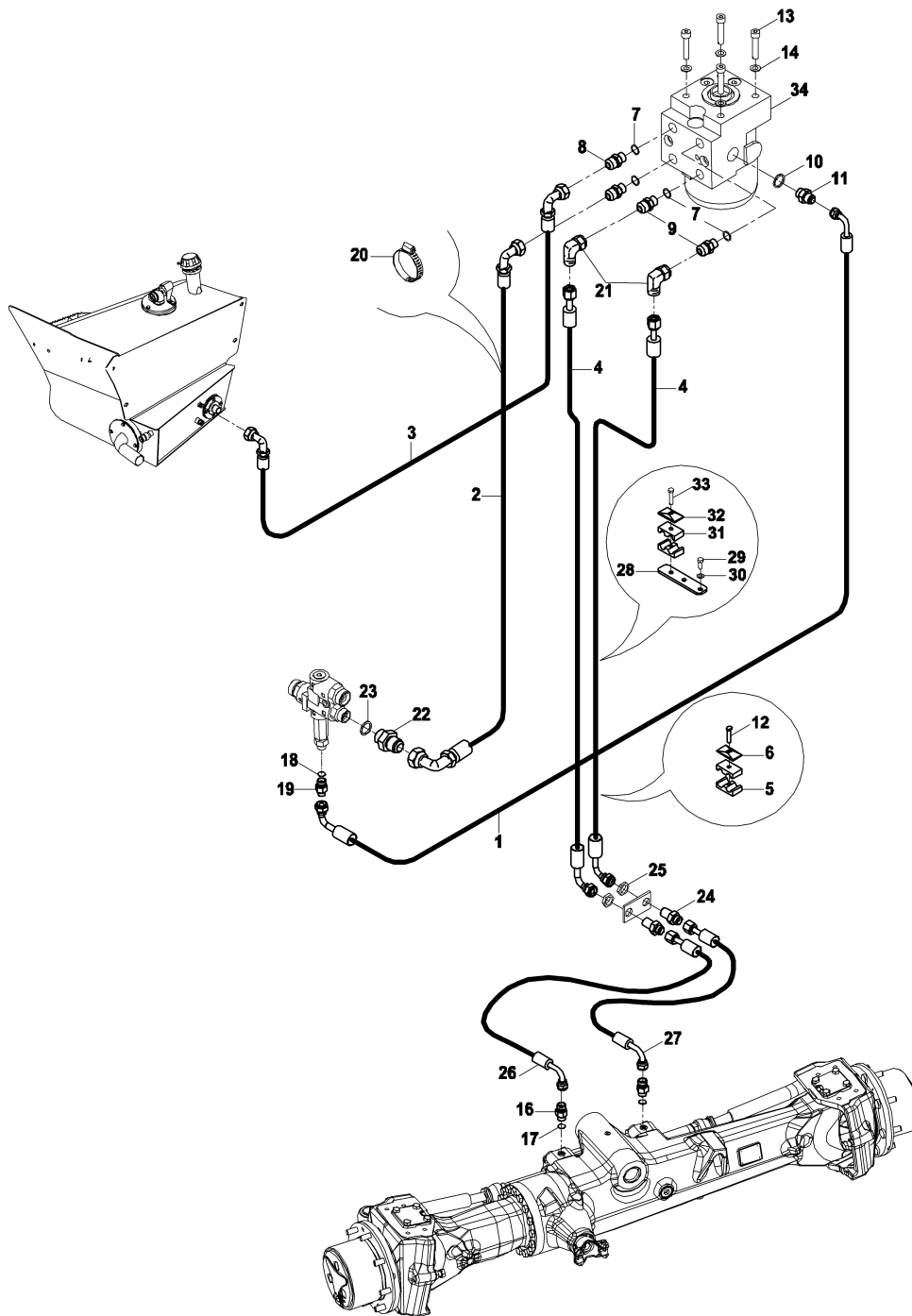
No	Parça No	Parça Adı	Adet	S.K.	Bas.S.N	Bit.S.N	Y.K.	Not
No	Part no	Description	Qty	SC	S/N from	S/N to	ICA	Note
1	S1881102	BLOK, VALF	1					
2	S1881103	SOLENOID VALF	2					
3	S1881104	BOBİN	2					
4	S1881124	SOMUN	2					

H - DİREKSİYON SİSTEMİ

H - STEERING SYSTEM

Sayfa No / Page No	Sayfa Adı	Page Name	Revizyon / Revision
H010.00.01	HİDROLİK TESİSAT, DİREKSİYON (DİŞLİ POMPA) JD	HYDRAULIC PIPING, STEERING (GEAR PUMP) JD	
H010.03.01	HİDROLİK TESİSAT, DİREKSİYON (PİSTONLU POMPA)	HYDRAULIC PIPING, STEERING (PISTON PUMP)	

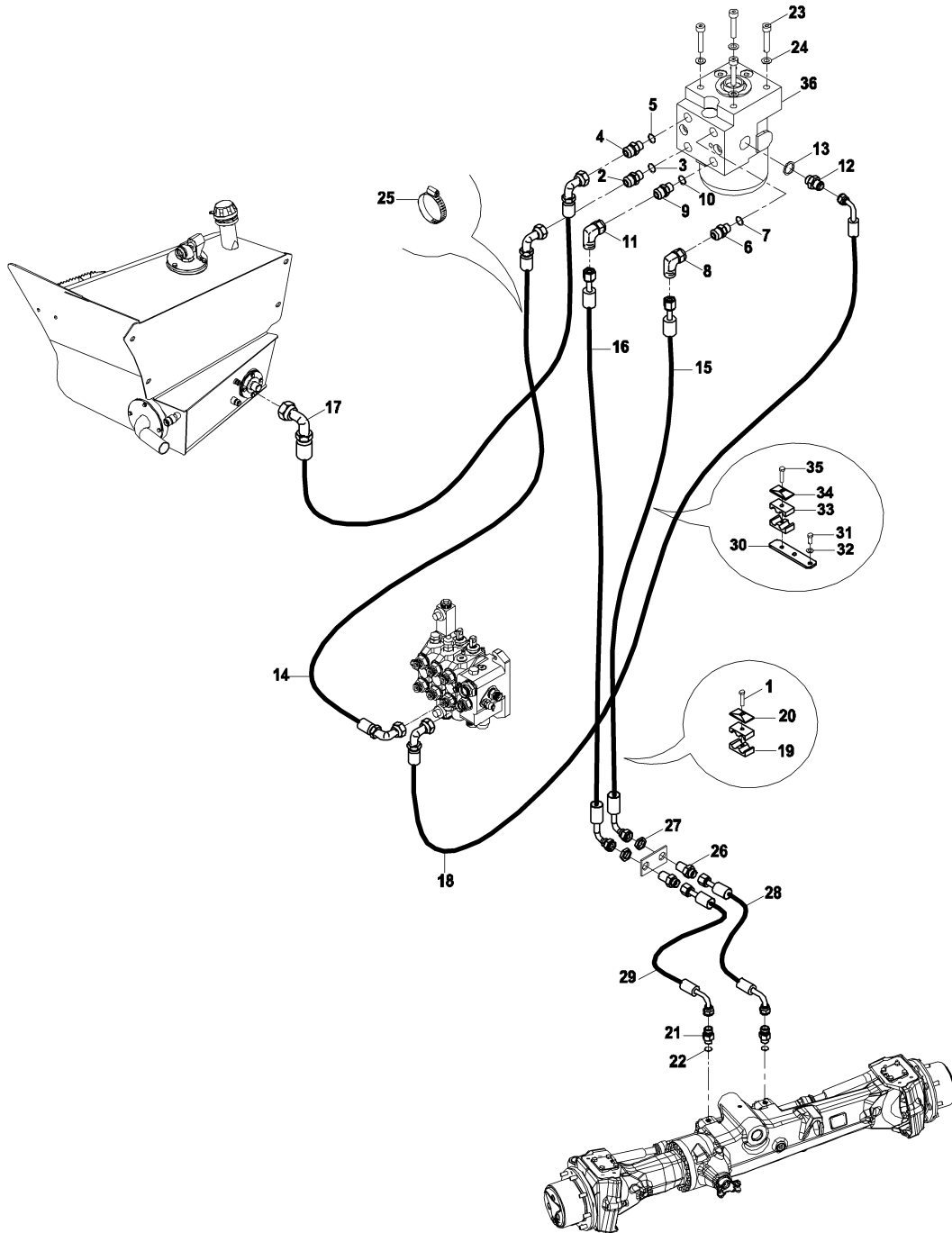
HİDROLİK TESİSAT, DİREKSİYON (DİŞLİ POMPA) JD HYDRAULIC PIPING, STEERING (GEAR PUMP) JD



HİDROLİK TESİSAT, DİREKSİYON (DİŞLİ POMPA) JD
HYDRAULIC PIPING, STEERING (GEAR PUMP) JD

No	Parça No	Parça Adı	Adet	S.K.	Bas.S.N	Bit.S.N	Y.K.	Not
No	Part no	Description	Qty	SC	S/N from	S/N to	ICA	Note
1	6020023175	HORTUM KOMPLESİ	1					
1	6020023130	HORTUM KOMPLESİ	1					
2	6642223185	HORTUM KOMPLESİ	1					
2	6642221115	HORTUM KOMPLESİ	1					
3	6642223115	HORTUM KOMPLESİ	1					
4	6631121210	HORTUM KOMPLESİ	2					
5	N073016003	KELEPÇE	2					
6	N073016002	KELEPÇE ÜST PARÇASI	1					
7	N030000015	O-RİNGLİ PUL	4					
8	N163430940	NİPEL	2					
9	N163430849	NİPEL	2					
10	N030000004	O-RİNGLİ PUL	1					
11	N163430814	NİPEL	1					
12	N010380398	CIVATA	1					M8x40
13	N015890842	CIVATA	4					M10x40
14	N030810015	PUL	4					
16	80624518	NİPEL	2					
17	N102001119	O-RİNGLİ PUL	2					
18	N030000004	O-RİNGLİ PUL	1					
19	N163430814	NİPEL	1					
20	51012200	KABLO BAĞI	1					
21	N163750045	DİRSEK	2					
22	N163430940	NİPEL	1					
23	N030000015	O-RİNGLİ PUL	1					
24	80624052	DUVAR NİPELİ	2					
25	80400618	SOMUN	2					
26	6631126040	HORTUM KOMPLESİ	1					
26	6631121030	HORTUM KOMPLESİ	1					
27	6631126060	HORTUM KOMPLESİ	1					
28	02021724	KELEPÇE ALTLIĞI	1					
29	N010232114	CIVATA	2					M8x20
30	N030020111	PUL	2					
31	N073016003	KELEPÇE	2					
32	N073016002	KELEPÇE ÜST PARÇASI	1					
33	N010380398	CIVATA	1					M8x40
34	F2111061	DİREKSİYON ÜNİTESİ	1					

HİDROLİK TESİSAT, DİREKSİYON (PİSTONLU POMPA) HYDRAULIC PIPING, STEERING (PISTON PUMP)



**HİDROLİK TESİSAT, DİREKSİYON (PİSTONLU POMPA)
HYDRAULIC PIPING, STEERING (PISTON PUMP)**

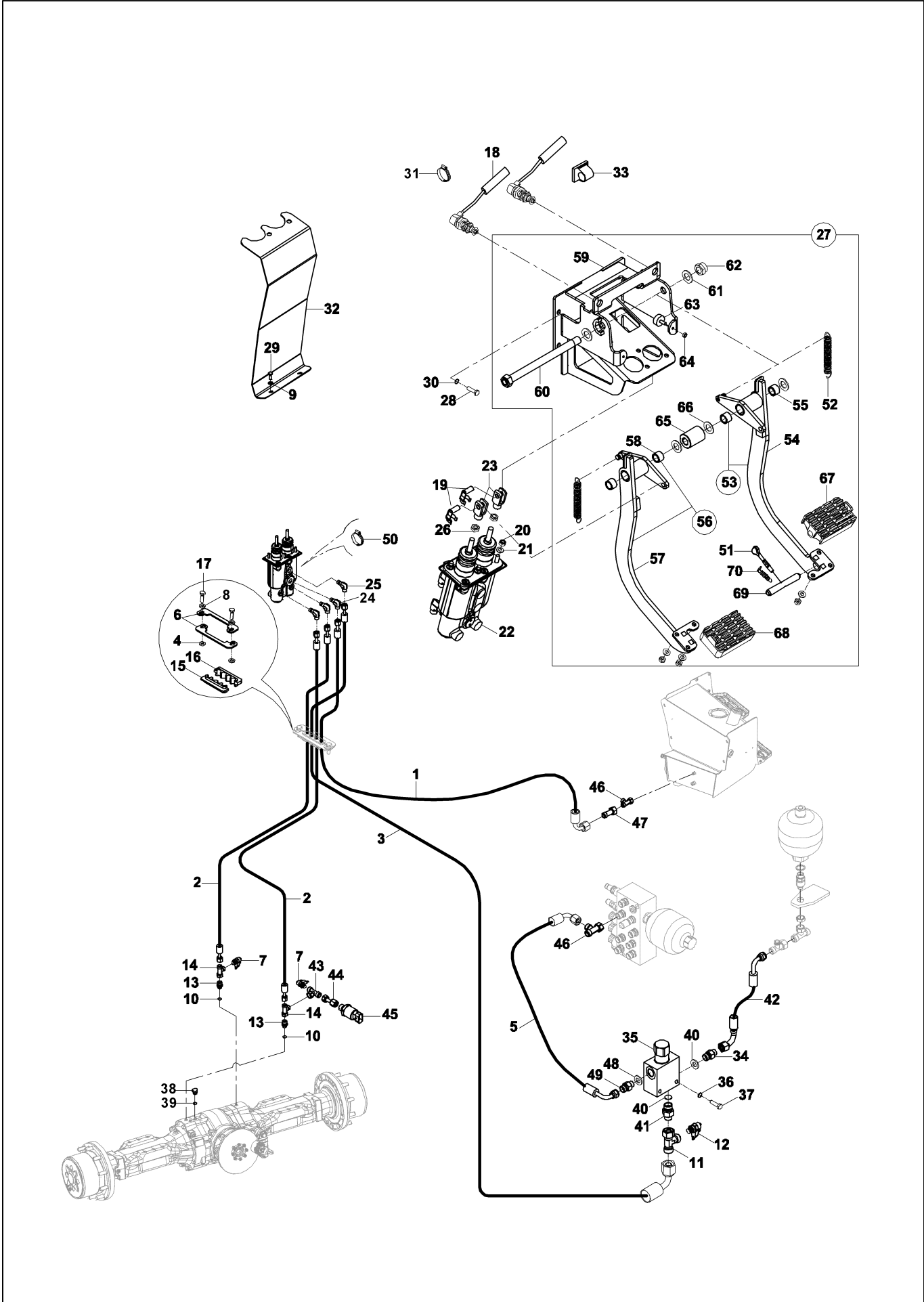
No	Parça No	Parça Adı	Adet	S.K.	Bas.S.N	Bit.S.N	Y.K.	Not
No	Part no	Description	Qty	SC	S/N from	S/N to	ICA	Note
1	N010380398	CIVATA	1					M8x45
2	N163430940	NİPEL	1					
3	N030000015	O-RİNGLİ PUL	1					
4	N163430940	NİPEL	1					
5	N030000015	O-RİNGLİ PUL	1					
6	N163430849	NİPEL	1					
7	N030000015	O-RİNGLİ PUL	1					
8	N163750045	DİRSEK	1					
9	N163430849	NİPEL	1					
10	N030000015	O-RİNGLİ PUL	1					
11	N163750045	DİRSEK	1					
12	N163430814	NİPEL	1					
13	N030000004	O-RİNGLİ PUL	1					
14	6642222150	HORTUM KOMPLESİ	1					
15	6631120210	HORTUM KOMPLESİ	1					
16	6631120210	HORTUM KOMPLESİ	1					
17	6642224115	HORTUM KOMPLESİ	1					
18	6020023140	HORTUM KOMPLESİ	1					
19	N073016003	KELEPÇE	2					
20	N073016002	KELEPÇE ÜST PARÇASI	1					
21	80624518	NİPEL	2					
22	N102001119	O-RİNGLİ PUL	2					
23	N015890842	CIVATA	4					M10x40
24	N030810015	PUL	4					
25	51012200	KABLO BAĞI	1					
26	80624052	DUVAR NİPELİ	2					
27	80400618	SOMUN	2					
28	6631126040	HORTUM KOMPLESİ	1					
28	6631121030	HORTUM KOMPLESİ	1					
29	6631126060	HORTUM KOMPLESİ	1					
30	02021724	KELEPÇE ALTLIĞI	1					
31	N010232114	CIVATA	2					M8x20
32	N030020111	PUL	2					
33	N073016003	KELEPÇE	2					
34	N073016002	KELEPÇE ÜST PARÇASI	1					
35	N010380398	CIVATA	1					M8x45
36	F2121056	DİREKSİYON ÜNİTESİ	1					

J - FREN SİSTEMİ

J - BRAKE SYSTEM

Sayfa No / Page No	Sayfa Adı	Page Name	Revizyon / Revision
J010.10.01	HİDROLİK TESİSAT, FREN (DİŞLİ POMPA)	HYDRAULIC PIPING, BRAKE (GEAR PUMP)	
J010.08.01	HİDROLİK TESİSAT, FREN (PİSTONLU POMPA)	HYDRAULIC PIPING, BRAKE (PISTON PUMP)	

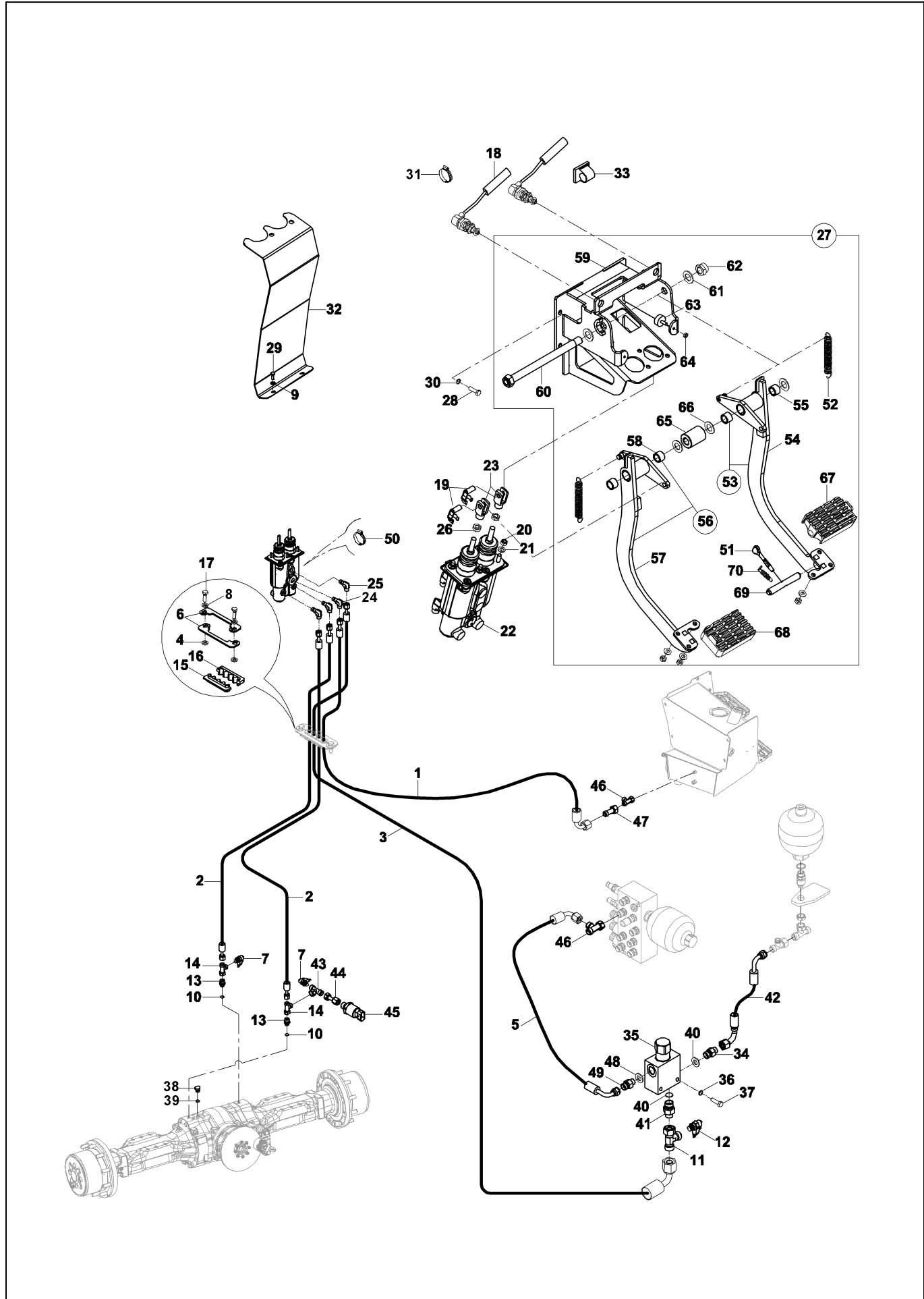
HİDROLİK TESİSAT, FREN (DİŞLİ POMPA) HYDRAULIC PIPING, BRAKE (GEAR PUMP)



HİDROLİK TESİSAT, FREN (DİŞLİ POMPA)
HYDRAULIC PIPING, BRAKE (GEAR PUMP)

No	Parça No	Parça Adı	Adet	S.K.	Bas.S.N	Bit.S.N	Y.K.	Not
No	Part no	Description	Qty	SC	S/N from	S/N to	ICA	Note
1	6020024125	HORTUMKOMPLESİ	1					
2	6610020170	HORTUMKOMPLESİ	2					
3	661002K130	HORTUMKOMPLESİ	1					
4	80500026	PUL	2					
5	6631122100	HORTUM KOMPLESİ	1					
6	81049054	SAC, HORTUM TUTUCU	2					
7	F9972016	MANOMETRE PRİZİ	3					
8	N030810014	PUL	2					
9	N030100013	PUL	2					
10	N102001119	O-RİNGLİ PUL	2					
11	N163790031	T ADAPTÖR	1					
12	F9972016	MANOMETRE PRİZİ	1					
13	N16K310365	NİPEL	2					
14	N163790031	T ADAPTÖR	3					
15	N072130095	HORTUM TUTUCU, KAUÇUK	1					
16	N072130096	HORTUM TUTUCU, KAUÇUK	1					
17	N010232138	CIVATA	2					M8x25
18	55400630	MÜŞİR, BASINÇ	2					
19	F9960056	PİM	2					
20	N025910062	SOMUN	4					
21	N030810014	PUL	4					
22	F1861530	FREN VALFİ	1					
23	F9960051	ÇATAL	2					
24	N163471157	DİRSEK	1					
25	N16N210044	DİRSEK	3					
26	N023580206	SOMUN	2					M10
27	01890155	FREN PEDALI KOMPLESİ	1					
28	N015890458	CIVATA	4					M8x20
29	N010231478	CIVATA	2					M6x16
30	N030810014	PUL	4					M8
31	51011700	KABLO BAĞI	1					
32	02000285	KAPAK SACI	1					
33	54503510	KELEPÇE	1					
34	80624018	NİPEL	1					
35	F1899250	VALF, BASINÇ DÜŞÜRÜCÜ	1					
36	N030100013	PUL	2					
37	N010370290	CIVATA	2					M6x45
38	81404091	TAPA	1					
39	N102000818	O-RİNG	1					
40	N030000005	O-RİNGLİ PUL	2					
41	80624316	NİPEL	1					
42	6631121150	HORTUM KOMPLESİ	1					
43	N163770031	T ADAPTÖR	1					
44	80699945	NİPEL	1					
45	H233511001	SENSÖR, BASINÇ	1					
46	N163790038	T ADAPTÖR	2					
47	80699923	NİPEL	1					

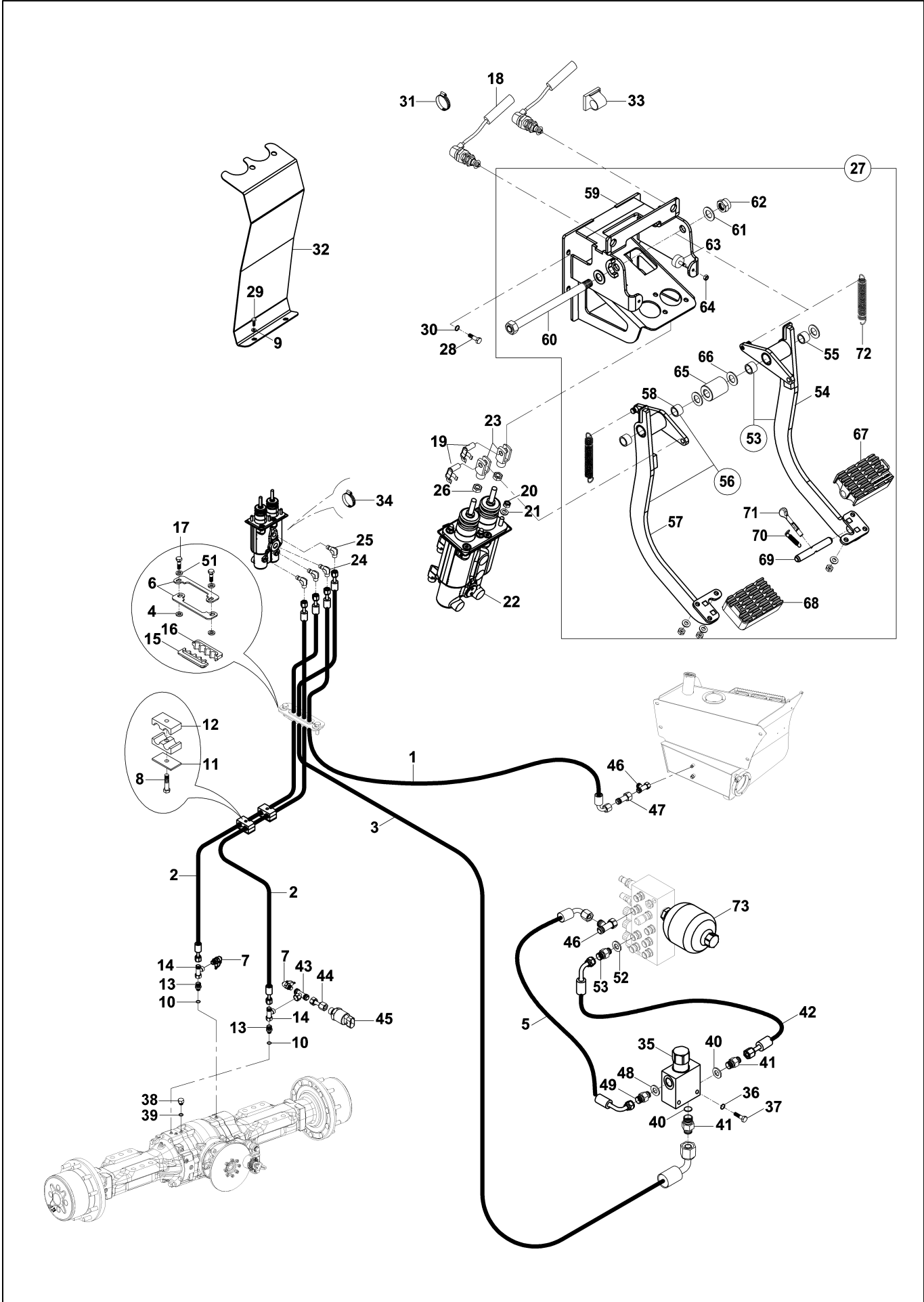
HİDROLİK TESİSAT, FREN (DİŞLİ POMPA)
HYDRAULIC PIPING, BRAKE (GEAR PUMP)



**HİDROLİK TESİSAT, FREN (DİŞLİ POMPA)
HYDRAULIC PIPING, BRAKE (GEAR PUMP)**

No	Parça No	Parça Adı	Description	Adet	S.K.	Bas.S.N	Bit.S.N	Y.K.	Not
No	Part no			Qty	SC	S/N from	S/N to	ICA	Note
48	N030000005	O-RİNGLİ PUL	WASHER	1					
49	80624018	NİPEL	ADAPTER	1					
50	51012200	KABLO BAĞI	TIE, CABLE	2					
51	02040404	PİM, KİLİT	PIN, LOCKING	1					
52	80702409	YAY	SPRING	2					
53	01890157	PEDAL KOMPLESİ, SAĞ	PEDAL ASS'Y, RH	1					
54	01992726	BRAKET K.K.	BRACKET W.A.	1					
55	80208022	BURÇ	BUSHING	2					
56	01890156	PEDAL KOMPLESİ, SOL	PEDAL ASS'Y, LH	1					
57	01992725	BRAKET K.K.	BRACKET W.A.	1					
58	80208022	BURÇ	BUSHING	2					
59	01992724	BRAKET K.K.	BRACKET W.A.	1					
60	01992940	PİM	PIN, PEDAL LOCK	1					
61	N030100029	PUL	WASHER	1					
62	N025900194	SOMUN	NUT	1					M16x1.5
63	81040057	TAHDİT TAKOZU	STOPPER	1					
64	N023570158	SOMUN	NUT	1					
65	83007030	PUL	WASHER	2					
66	80201586	BURÇ	BUSHING	1					
67	02040401	LASTİK, FREN PEDALI, SAĞ	RUBBER, BRAKE PEDAL, RH	1					
68	02040402	LASTİK, FREN PEDALI, SOL	RUBBER, BRAKE PEDAL, LH	1					
69	02021665	PİM, KİLİT	PIN, LOCKING	1					
70	80701521	YAY	SPRING	1					

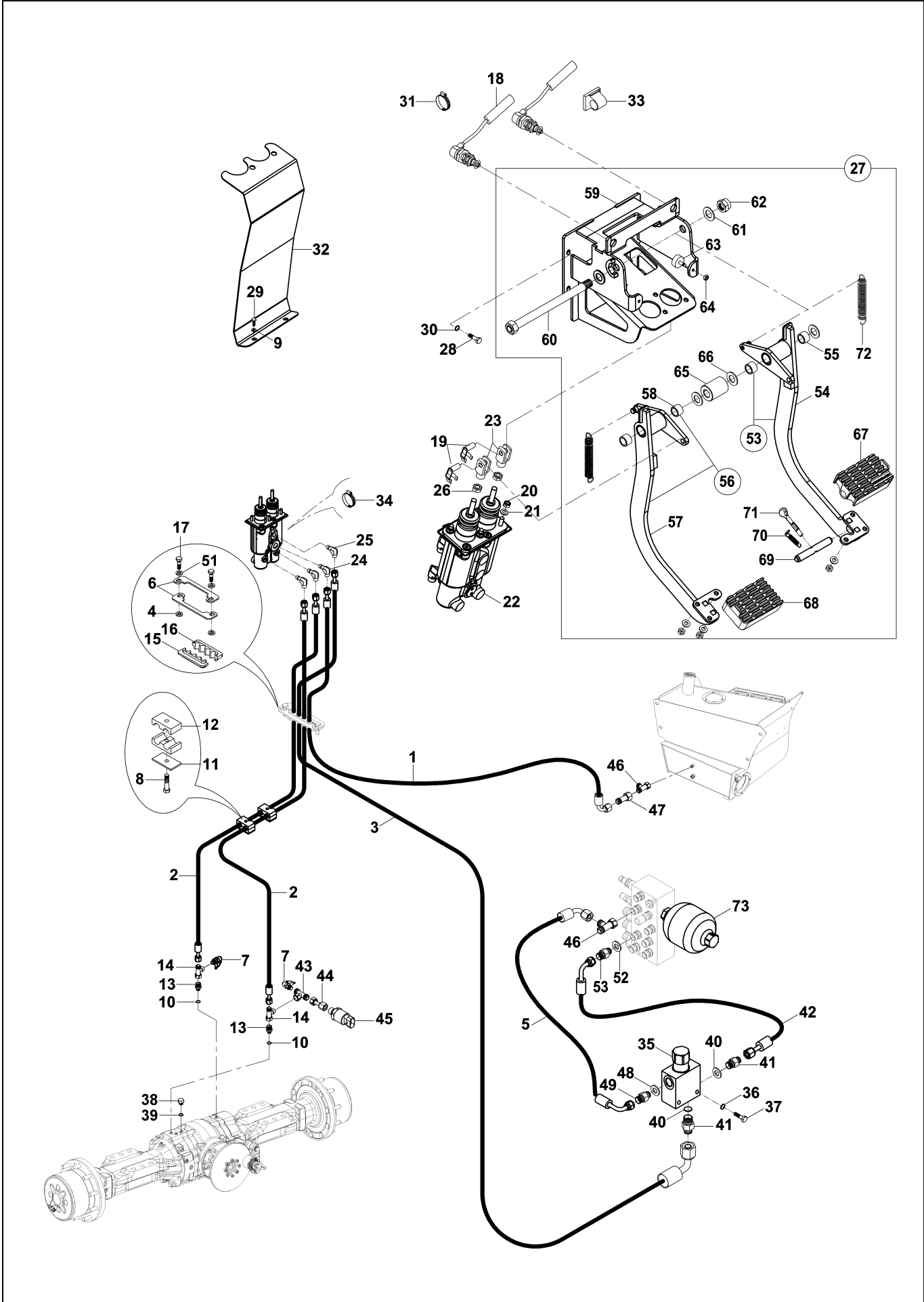
HİDROLİK TESİSAT, FREN (PİSTONLU POMPA) HYDRAULIC PIPING, BRAKE (PISTON PUMP)



**HİDROLİK TESİSAT, FREN (PİSTONLU POMPA)
HYDRAULIC PIPING, BRAKE (PISTON PUMP)**

No	Parça No	Parça Adı	Adet	S.K.	Bas.S.N	Bit.S.N	Y.K.	Not
No	Part no	Description	Qty	SC	S/N from	S/N to	ICA	Note
1	6020024145	HORTUMKOMPLESİ	1					
2	6610020170	HORTUMKOMPLESİ	2					
3	661002K130	HORTUMKOMPLESİ	1					
4	80500026	PUL	2					
5	6631122100	HORTUM KOMPLESİ	1					
6	81049054	SAC, HORTUM TUTUCU	2					
7	F9972016	MANOMETRE PRİZİ	3					
8	N010380410	CIVATA	1					M8x50
9	N030100013	PUL	2					
10	N102001119	O-RİNGLİ PUL	2					
11	N073016002	KELEPÇE ÜST PARÇASI	2					
12	N073013503	KELEPÇE	4					
13	N16K310365	NİPEL	2					
14	N163790031	T ADAPTÖR	3					
15	N072130095	HORTUM TUTUCU, KAUÇUK	1					
16	N072130096	HORTUM TUTUCU, KAUÇUK	1					
17	N010232138	CIVATA	2					M8x25
18	55400630	MÜŞİR, BASINÇ	2					
19	F9960056	PİM	2					
20	N025910062	SOMUN	4					
21	N030810014	PUL	4					
22	F1861530	FREN VALFİ	1					
23	F9960051	ÇATAL	2					
24	N163471157	DİRSEK	1					
25	N16N210044	DİRSEK	3					
26	N023580206	SOMUN	2					M10
27	01890155	FREN PEDALI KOMPLESİ	1					
28	N015890458	CIVATA	4					M8x20
29	N010231478	CIVATA	2					M6x16
30	N030810014	PUL	4					M8
31	51011700	KABLO BAĞI	1					
32	02000285	KAPAK SACI	1					
33	54503510	KELEPÇE	1					
34	N163430814	NİPEL						
35	F1899250	VALF, BASINÇ DÜŞÜRÜCÜ	1					
36	N030100013	PUL	2					
37	N010370290	CIVATA	2					M6x45
38	81404091	TAPA	1					
39	N102000818	O-RİNG	1					
40	N030000005	O-RİNGLİ PUL	2					
41	80624316	NİPEL	2					
42	6020021075	HORTUMKOMPLESİ	1					
43	N163770031	T ADAPTÖR	1					
44	80699945	NİPEL	1					
45	H233511001	SENSÖR, BASINÇ	1					
46	N163790038	T ADAPTÖR	2					
47	80699923	NİPEL	1					

HİDROLİK TESİSAT, FREN (PİSTONLU POMPA) HYDRAULIC PIPING, BRAKE (PISTON PUMP)



**HİDROLİK TESİSAT, FREN (PİSTONLU POMPA)
HYDRAULIC PIPING, BRAKE (PISTON PUMP)**

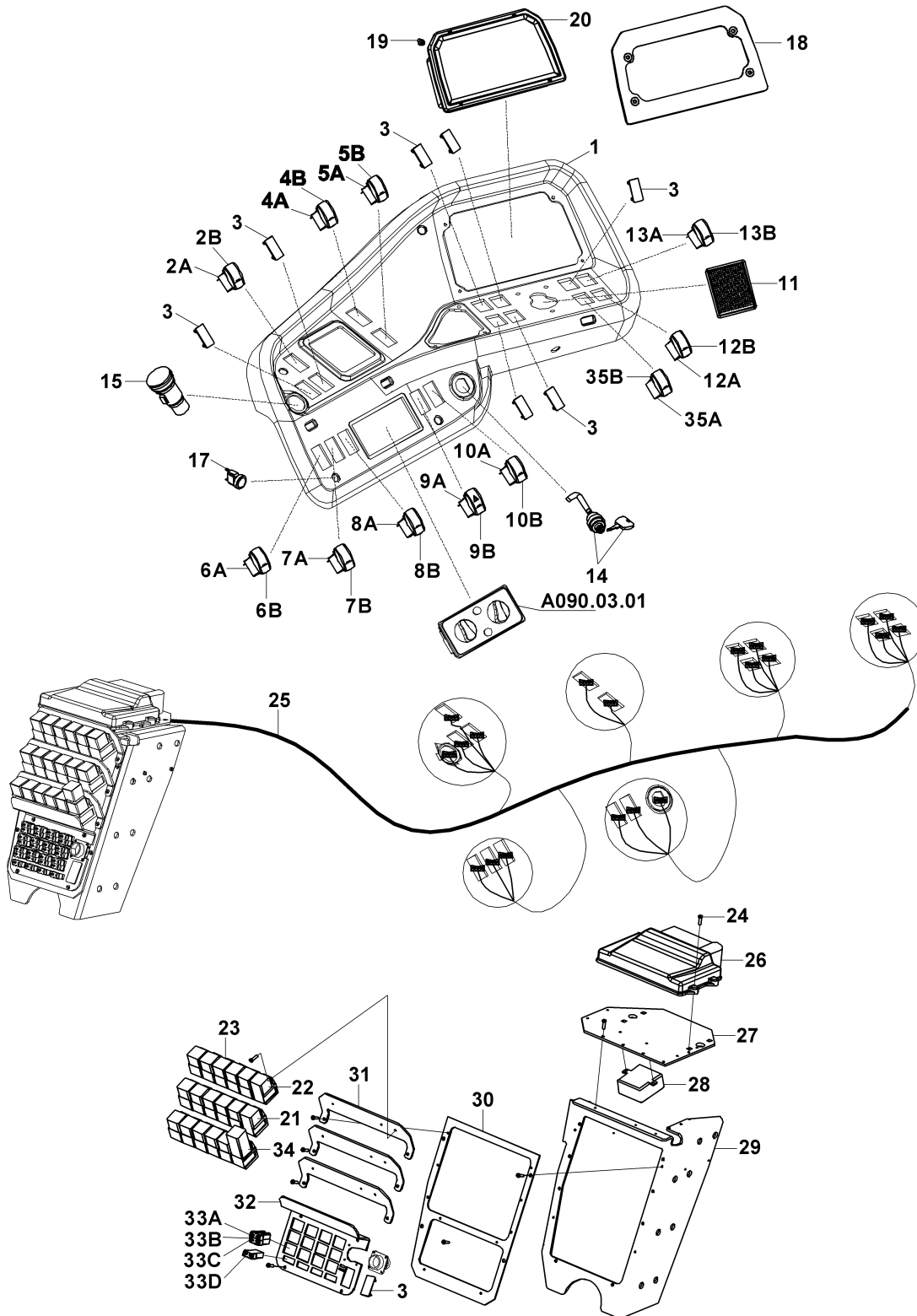
No	Parça No	Parça Adı	Description	Adet	S.K.	Bas.S.N	Bit.S.N	Y.K.	Not
No	Part no			Qty	SC	S/N from	S/N to	ICA	Note
48	N030000005	O-RİNGLİ PUL	WASHER	1					
49	80624018	NİPEL	ADAPTER	1					
51	N030810014	PUL	WASHER	2					
52	N030000004	O-RİNGLİ PUL	WASHER	1					
53	01890157	PEDAL KOMPLESİ, SAĞ	PEDAL ASS'Y, RH	1					
54	01992726	BRAKET K.K.	BRACKET W.A.	1					
55	80208022	BURÇ	BUSHING	2					
56	01890156	PEDAL KOMPLESİ, SOL	PEDAL ASS'Y, LH	1					
57	01992725	BRAKET K.K.	BRACKET W.A.	1					
58	80208022	BURÇ	BUSHING	2					
59	01992724	BRAKET K.K.	BRACKET W.A.	1					
60	01992940	PİM	PIN, PEDAL LOCK	1					
61	N030100029	PUL	WASHER	1					
62	N025900194	SOMUN	NUT	1					M16x1.5
63	81040057	TAHDİT TAKOZU	STOPPER	1					
64	N023570158	SOMUN	NUT	1					
65	83007030	PUL	WASHER	2					
66	80201586	BURÇ	BUSHING	1					
67	02040401	LASTİK, FREN PEDALI, SAĞ	RUBBER, BRAKE PEDAL, RH	1					
68	02040402	LASTİK, FREN PEDALI, SOL	RUBBER, BRAKE PEDAL, LH	1					
69	02021665	PİM, KİLİT	PIN, LOCKING	1					
70	80701521	YAY	SPRING	1					
71	02040404	PİM, KİLİT	PIN, LOCKING	1					
72	80702409	YAY	SPRING	2					
73	F3093505	AKÜMÜLATÖR	ACCUMULATOR	1					

K - ELEKTRİK SİSTEMİ

K - ELECTRICAL SYSTEM

Sayfa No / Page No	Sayfa Adı	Page Name	Revizyon / Revision
K010.08.01	KABİN ELEKTRİĞİ (1)	CAB ELECTRIC (1)	
K010.09.01	KABİN ELEKTRİĞİ (1) (KAZ AYAK)	CAB ELECTRIC (1) (WING TYPE)	
K010.01.02	KABİN ELEKTRİĞİ (2)	CAB ELECTRIC (2)	
K010.01.03	KABİN ELEKTRİĞİ (3)	CAB ELECTRIC (3)	
K010.00.04	KABİN ELEKTRİĞİ (4)	CAB ELECTRIC (4)	
K010.02.06	KABİN ELEKTRİĞİ (6)	CAB ELECTRIC (6)	
K010.02.07	KABİN ELEKTRİĞİ (7)	CAB ELECTRIC (7)	
K010.00.08	KABİN ELEKTRİĞİ (8)	CAB ELECTRIC (8)	
K020.16.01	ELEKTRİK (1)	ELECTRIC (1)	
K020.17.01	ELEKTRİK (1) (KAZ AYAK)	ELECTRIC (1) (WING TYPE STABILIZER)	
K030.00.01	TESVİYE KÜREĞİ (ÇİFT EKSENLİ) KABLO TESİSATI (OP)	LEVELLING BLADE (WITH TWO AXIS TURN) HARNESS (OP)	
K050.02.01	SMARTLINK (PİSTONLU POMPA) (OP)	SMARTLINK (PISTON PUMP) (OP)	
K050.03.01	SMARTLINK (DİŞLİ POMPA) (OP)	SMARTLINK (GEAR PUMP) (OP)	

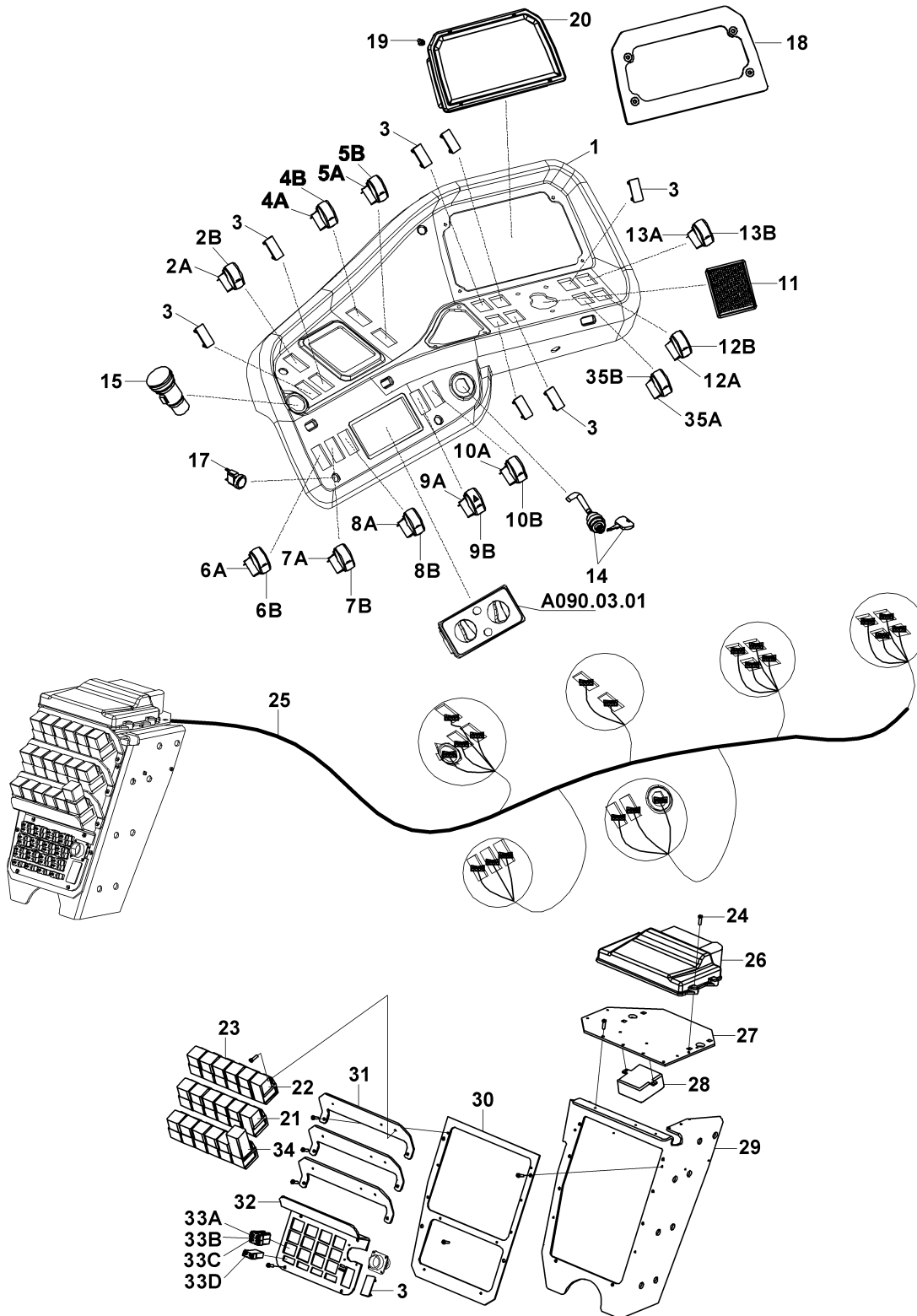
KABİN ELEKTRİĞİ (1) CAB ELECTRIC (1)



KABİN ELEKTRİĞİ (1) CAB ELECTRIC (1)

No	Parça No	Parça Adı	Adet	S.K.	Bas.S.N	Bit.S.N	Y.K.	Not
No	Part no	Description	Qty	SC	S/N from	S/N to	ICA	Note
1	02043022	KAPLAMA, SAĞ	1					
2A	52020600	ANAHTAR	1					
2B	52031020	DÜĞME, 2x4/4x4	1					
3	52036000	KAPAK	6					
4A	52021115	ANAHTAR	1					
4B	52031240	DÜĞME, ACİL STOP	1					
5A	52020000	ANAHTAR	1	OP				
5B	52031050	DÜĞME, YOL YÜRÜYÜŞ	1					
6A	52020500	ANAHTAR	1	OP				
6B	52031380	DÜĞME, HANDLE FNR	1					
7A	52020600	ANAHTAR	1					
7B	52031010	DÜĞME, ÇALIŞMA LAMBASI, ÖN	1					
8A	52020600	ANAHTAR	1					
8B	52031070	DÜĞME, PARK-FAR	1					
9A	52020300	ANAHTAR	1					
9B	52031080	DÜĞME, 4'LÜ İKAZ	1					
10A	52020000	ANAHTAR	1	OP				
10B	52031000	DÜĞME	1					
11	F3220186	KAPAK, PANEL	1					
12A	52006500	ANAHTAR	1					
12B	52031040	DÜĞME, CAM SUYU	1					
13A	52020600	ANAHTAR	1					
13B	52031010	DÜĞME, ÇALIŞMA LAMBASI, ÖN	1					
14	52008112	KONTAK ANAHTARI	1					
15	55530015	ŞARJ KİTİ	1					
17	F0617090	BUTON, EL FRENİ TEST	1					
18	02043054	KAPAK, GÖSTERGE	1					
19	N041671658	VİDA	4					
20	53005230	GÖSTERGE PANELİ, LCD	1					
21	52502000	RÖLE, FLAŞÖR	1					
22	52804506	SESLİ İKAZ	1					
23	54003410	RÖLE, UZUN FAR	1					
24	N015890026	CIVATA	4					
25	01853047	ELEKTRİK TESİSATI, CAB	1					
26	53004065	MAKİNA KONTROL ÜNİTESİ	1					
27	02021770	SAC	1					
28	53004201	IMMOBİLİZER	1					
29	02010274	BRAKET	1					
30	02021523	SAC, SİGORTA-RÖLE	1					
31	02021517	SAC, RÖLE	3					
32	02030562	SAC, SİGORTA	1					
33A	52705500	SİGORTA, 5A	1					
33B	52706050	SİGORTA, 10A	11					
33C	52706100	SİGORTA, 15A	12					
33D	52706200	SİGORTA, 20A	5					

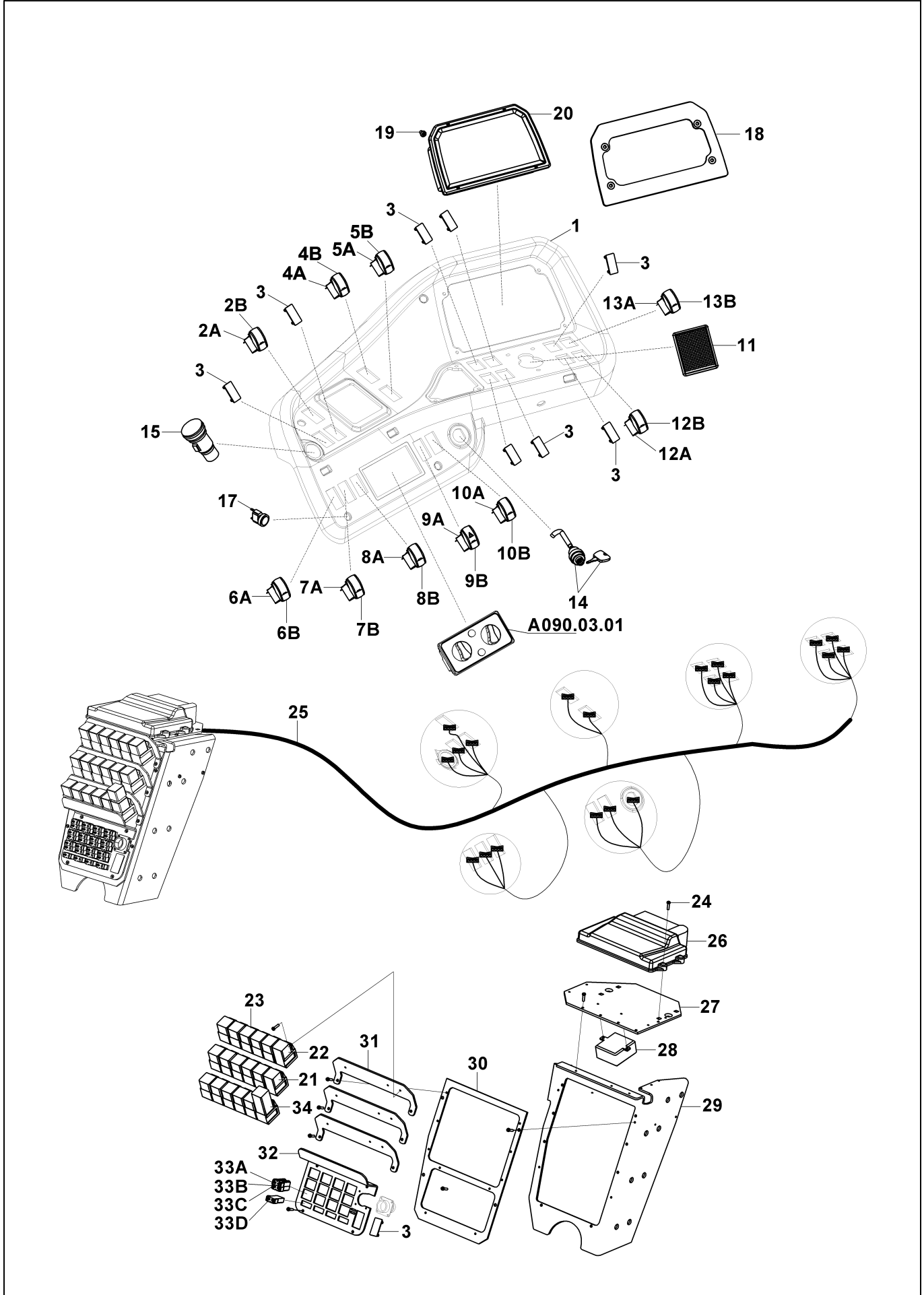
KABİN ELEKTRİĞİ (1) CAB ELECTRIC (1)



KABİN ELEKTRİĞİ (1)
CAB ELECTRIC (1)

No	Parça No	Parça Adı	Adet	S.K.	Bas.S.N	Bit.S.N	Y.K.	Not
No	Part no	Description	Qty	SC	S/N from	S/N to	ICA	Note
34	54005000	RÖLE, SİLGİ ZAMAN	1					
35A	52020000	ANAHTAR	1	OP				
35B	52031060	DÜĞME, KIZAK SIKMA	1					

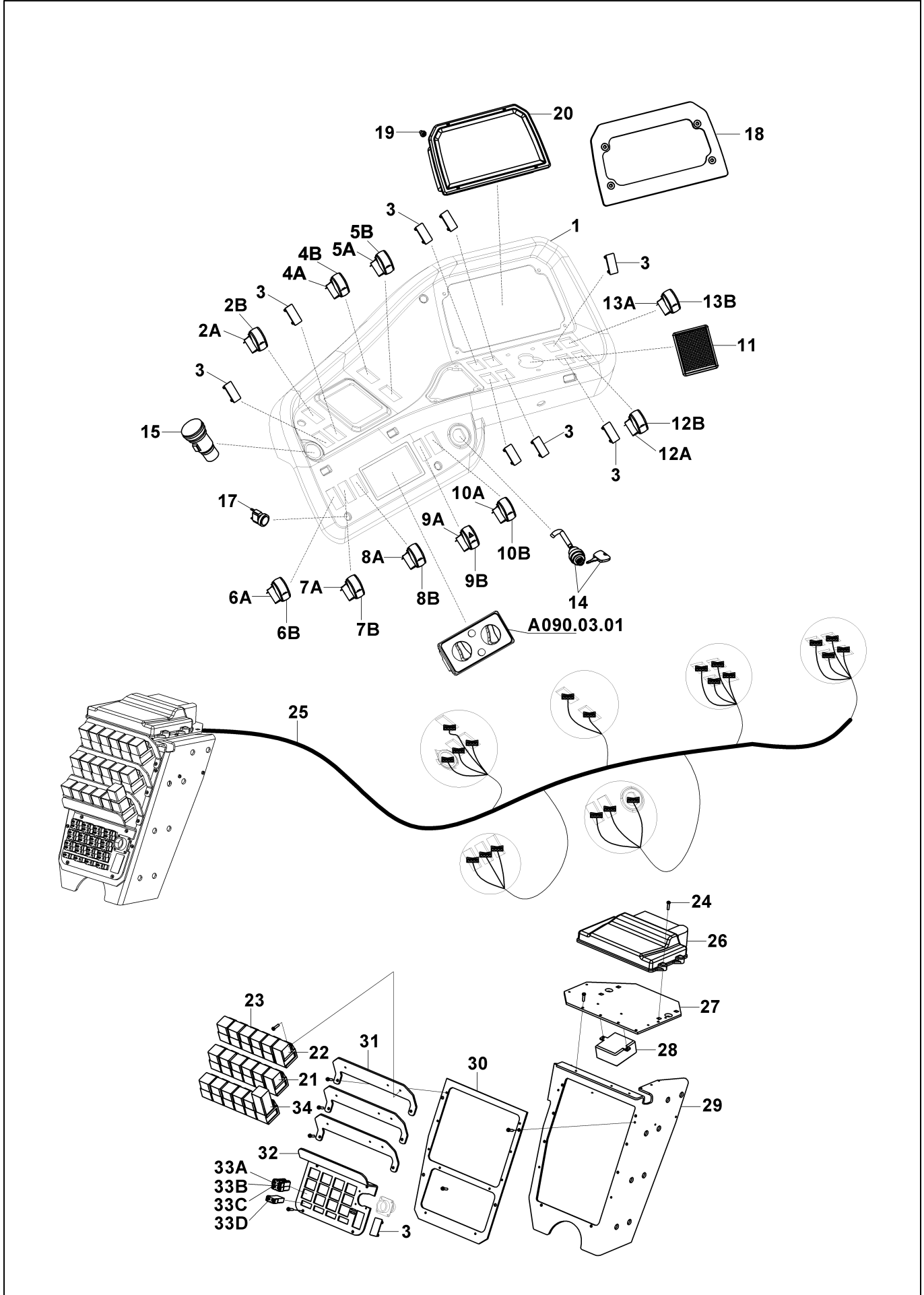
KABİN ELEKTRİĞİ (1) (KAZ AYAK) CAB ELECTRIC (1) (WING TYPE)



KABİN ELEKTRİĞİ (1) (KAZ AYAK)
CAB ELECTRIC (1) (WING TYPE)

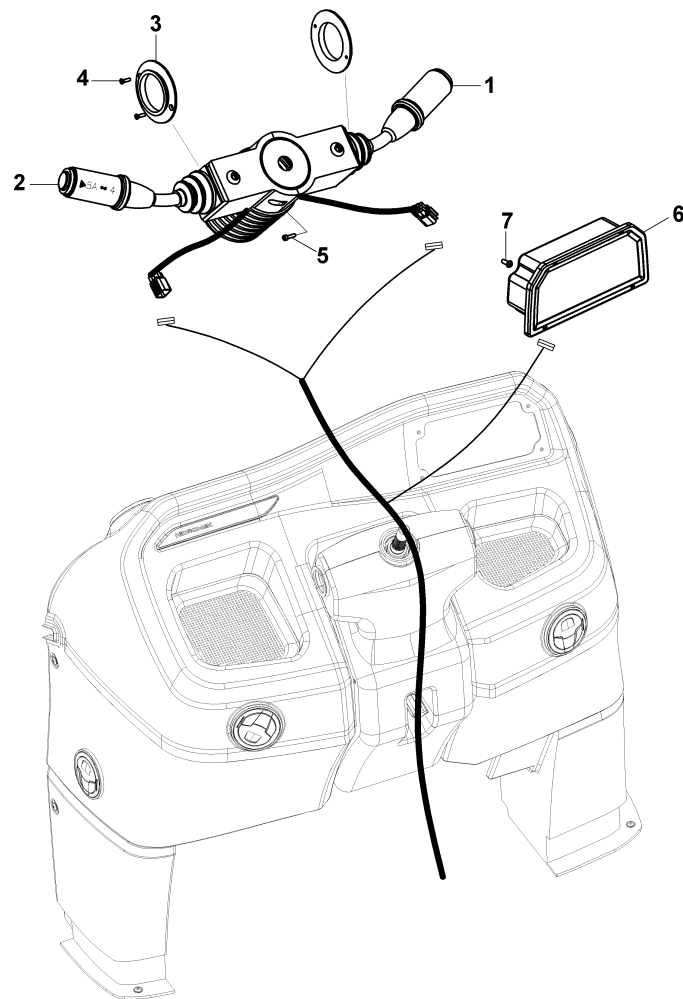
No	Parça No	Parça Adı	Adet	S.K.	Bas.S.N	Bit.S.N	Y.K.	Not
No	Part no	Description	Qty	SC	S/N from	S/N to	ICA	Note
1	02043022	KAPLAMA, SAĞ	1					
2A	52020600	ANAHTAR	1					
2B	52031020	DÜĞME, 2x4/4x4	1					
3	52036000	KAPAK	7					
4A	52021115	ANAHTAR	1					
4B	52031240	DÜĞME, ACİL STOP	1					
5A	52020000	ANAHTAR	1	OP				
5B	52031050	DÜĞME, YOL YÜRÜYÜŞ	1					
6A	52020500	ANAHTAR	1	OP				
6B	52031380	DÜĞME, HANDLE FNR	1					
7A	52020600	ANAHTAR	1					
7B	52031010	DÜĞME, ÇALIŞMA LAMBASI, ÖN	1					
8A	52020600	ANAHTAR	1					
8B	52031070	DÜĞME, PARK-FAR	1					
9A	52020300	ANAHTAR	1					
9B	52031080	DÜĞME, 4'LÜ İKAZ	1					
10A	52020000	ANAHTAR	1	OP				
10B	52031000	DÜĞME	1					
11	F3220186	KAPAK, PANEL	1					
12A	52006500	ANAHTAR	1					
12B	52031040	DÜĞME, CAM SUYU	1					
13A	52020600	ANAHTAR	1					
13B	52031010	DÜĞME, ÇALIŞMA LAMBASI, ÖN	1					
14	52008112	KONTAK ANAHTARI	1					
15	55530015	ŞARJ KİTİ	1					
17	F0617090	BUTON, EL FRENİ TEST	1					
18	02043054	KAPAK, GÖSTERGE	1					
19	N041671658	VİDA	4					
20	53005230	GÖSTERGE PANELİ, LCD	1					
21	52502000	RÖLE, FLAŞÖR	1					
22	52804506	SESLİ İKAZ	1					
23	54003410	RÖLE, UZUN FAR	1					
24	N015890026	CIVATA	4					
25	01853047	ELEKTRİK TESİSATI, CAB	1					
26	53004065	MAKİNA KONTROL ÜNİTESİ	1					
27	02021770	SAC	1					
28	53004201	IMMOBİLİZER	1					
29	02010274	BRAKET	1					
30	02021523	SAC, SİGORTA-RÖLE	1					
31	02021517	SAC, RÖLE	3					
32	02030562	SAC, SİGORTA	1					
33A	52705500	SİGORTA, 5A	1					
33B	52706050	SİGORTA, 10A	11					
33C	52706100	SİGORTA, 15A	12					
33D	52706200	SİGORTA, 20A	5					

KABİN ELEKTRİĞİ (1) (KAZ AYAK) CAB ELECTRIC (1) (WING TYPE)



**KABİN ELEKTRİĞİ (1) (KAZ AYAK)
CAB ELECTRIC (1) (WING TYPE)**

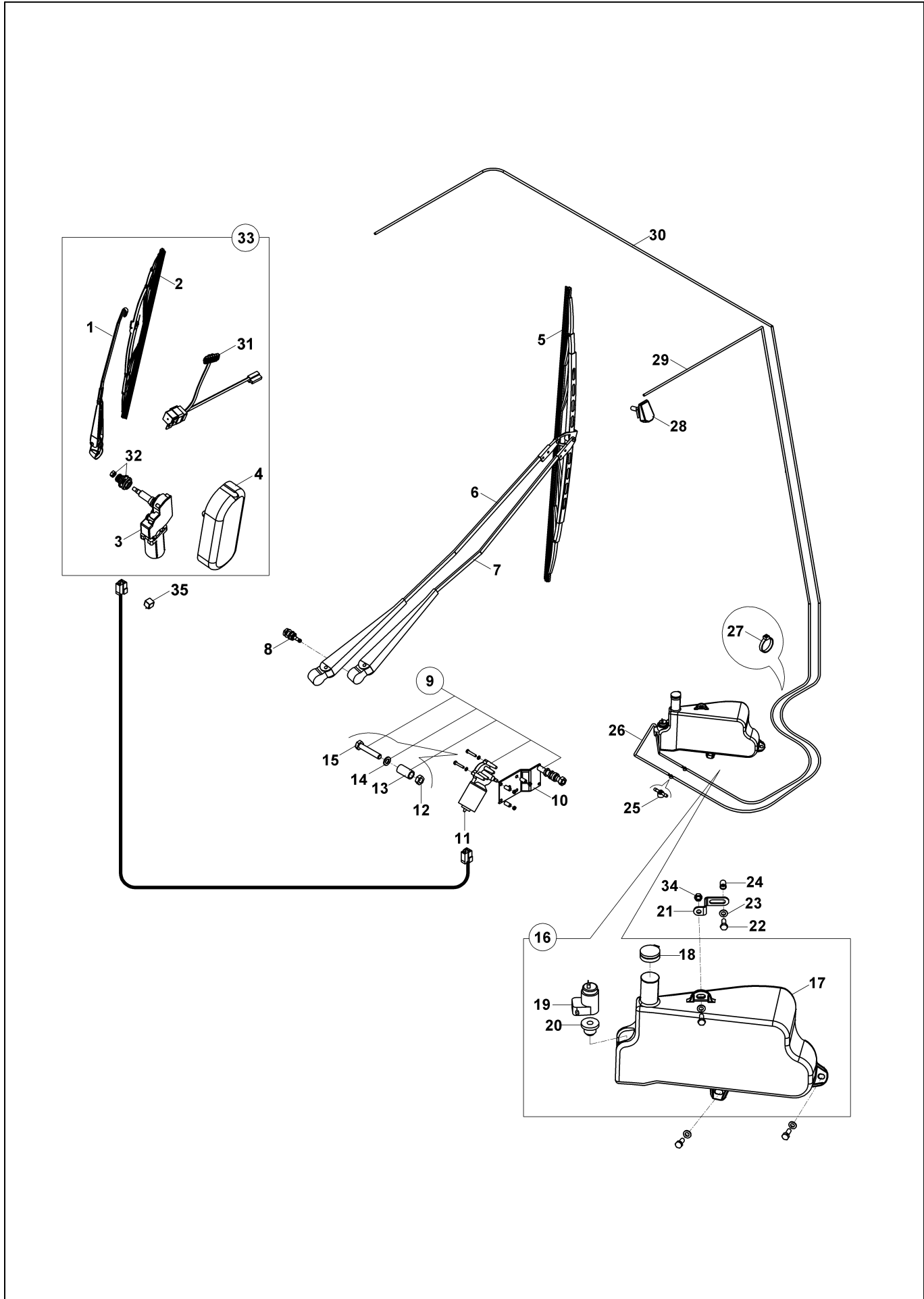
No	Parça No	Parça Adı	Adet	S.K.	Bas.S.N	Bit.S.N	Y.K.	Not
No	Part no	Description	Qty	SC	S/N from	S/N to	ICA	Note
34	54005000	RÖLE, SİLGİ ZAMAN	1					
		RELAY, WIPER TIMER						

KABİN ELEKTRİĞİ (2)
CAB ELECTRIC (2)

KABİN ELEKTRİĞİ (2)
CAB ELECTRIC (2)

No	Parça No	Parça Adı	Adet	S.K.	Bas.S.N	Bit.S.N	Y.K.	Not
No	Part no	Description	Qty	SC	S/N from	S/N to	ICA	Note
1	52205730	SİNYAL KOLU	1					
2	52205733	VİTES KOLU	1					
3	81040185	KAPLAMA	2					
4	N043700568	VİDA	4					
5	N015890170	CIVATA	2					
6	53005224	GÖSTERGE PANELİ, LCD, ÖN	1					
7	N049561282	VİDA	4					M5x16

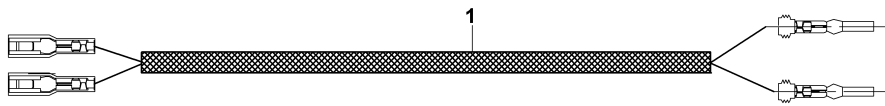
KABİN ELEKTRİĞİ (3)
CAB ELECTRIC (3)



KABİN ELEKTRİĞİ (3) CAB ELECTRIC (3)

No	Parça No	Parça Adı	Adet	S.K.	Bas.S.N	Bit.S.N	Y.K.	Not
No	Part no	Description	Qty	SC	S/N from	S/N to	ICA	Note
1	55506111	SİLECEK KOLU, ARKA	1					
2	55507211	SİLECEK SÜPÜRGESİ, ARKA	1					
3	55001028	SİLECEK MOTORU, ARKA	1					
4	55535105	KAPLAMA, ARKA SİLECEK MOTORU	1					
5	55507110	SİLECEK SÜPÜRGESİ, ÖN	1					
6	55506511	SİLECEK KOLU, ANA, ÖN	1					
7	55506521	SİLECEK KOLU, YARDIMCI, ÖN	1					
8	81014439	MİL, SİLECEK KOLU	1					
9	55001401	SİLECEK MOTORU KOMPLESİ, ÖN	1					
10	55506611	SİLECEK MEKANİZMASI	1					
11	55001210	SİLECEK MOTORU, ÖN	1					
12	N023570182	SOMUN	3					M8
13	81002020	YÜKSÜK	1					
14	N030140017	PUL	3					M8
15	N010222198	CIVATA	3					M8x45
16	F3221032	CAM SUYU TANK KOMPLESİ	1					
17	F3221068	DEPO KOMPLESİ, CAM SUYU	1					
18	F3221033	TANK KAPAĞI, CAM SUYU	1					
19	55006330	FİSKİYE POMPASI	1					
20	F3221064	CONTA	1					
21	02012526	BRAKET	1					
22	N010232114	CIVATA	3					M8X20
23	N030810014	PUL	3					M8
24	N020000200	SOMUN	1					
25	F3210568	ÇEK VALF	3					
26	F9900080	HORTUM, ŞEFFAF	2					
27	51011700	KABLO BAĞI	2					
28	F3210565	SU FİSKİYE MEMESİ	2					
29	F3210640	HORTUM, ŞEFFAF	1					
30	F3210645	HORTUM, ŞEFFAF	1					
31	50909027	KABLO BAĞI	1					
32	F9970010	RAKOR	1					
33	55001015	SİLECEK KOMPLE, ARKA	1					
34	N025910062	SOMUN	1					M8
35	54018002	RÖLE	1					

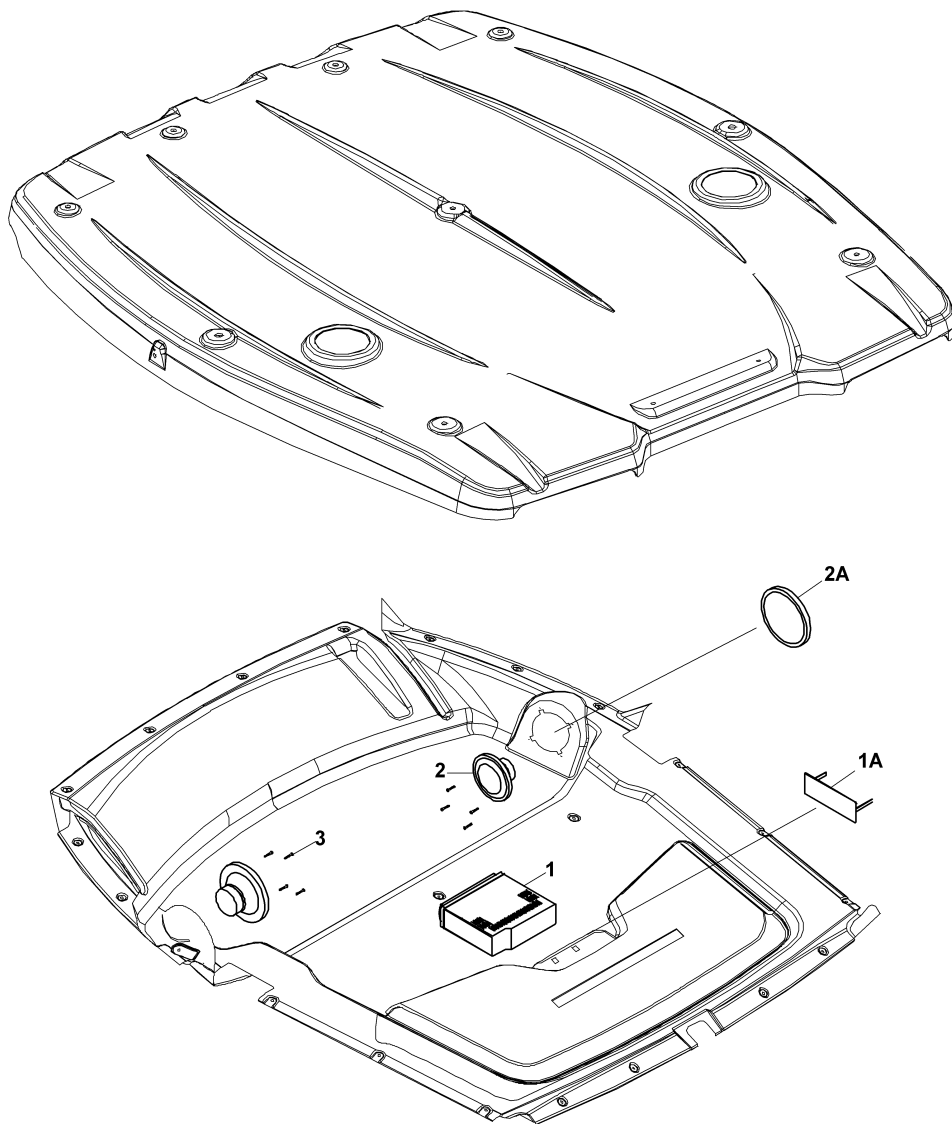
KABİN ELEKTRİĞİ (4)
CAB ELECTRIC (4)



KABİN ELEKTRİĞİ (4)
CAB ELECTRIC (4)

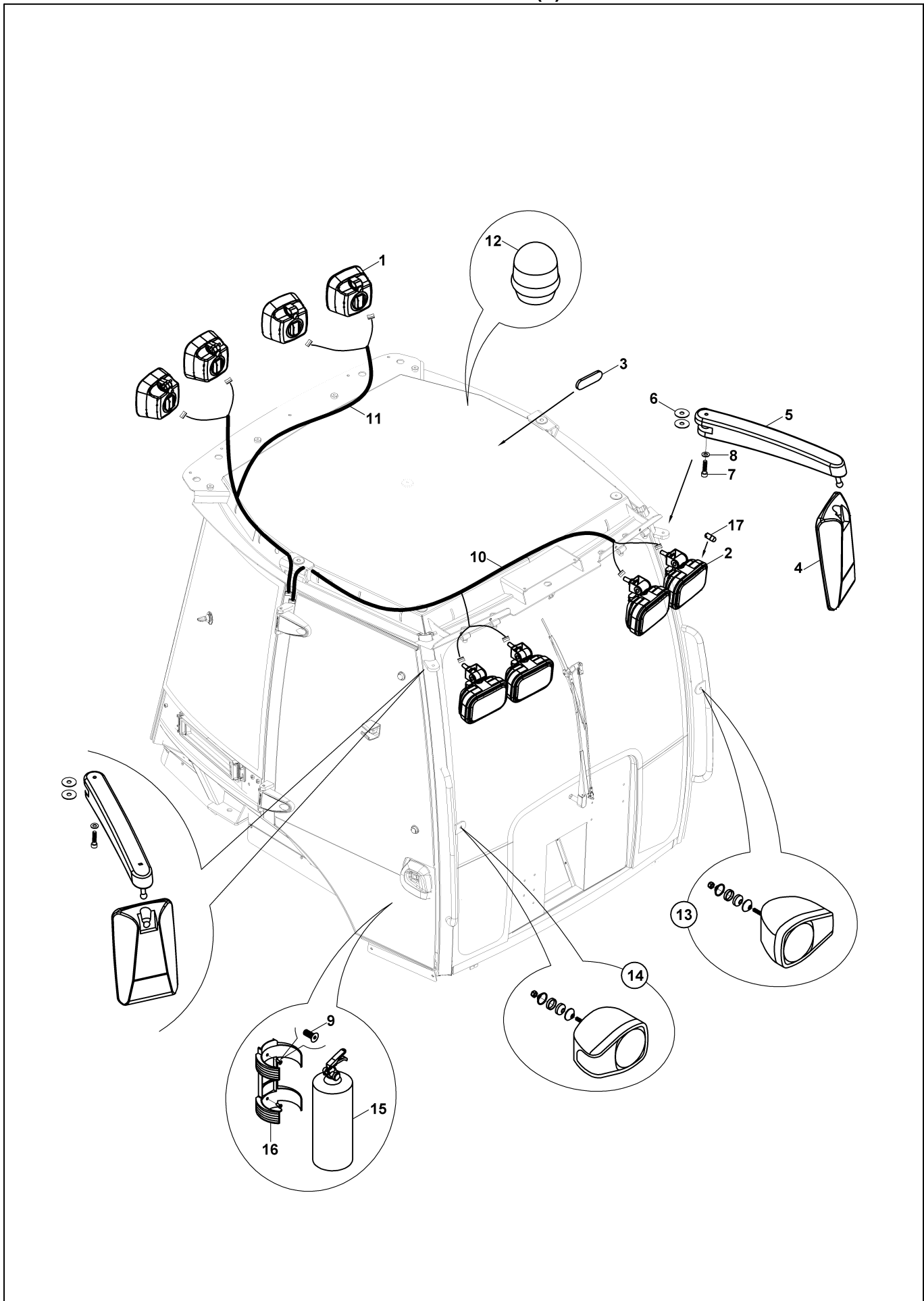
No	Parça No	Parça Adı		Adet	S.K.	Bas.S.N	Bit.S.N	Y.K.	Not
No	Part no		Description	Qty	SC	S/N from	S/N to	ICA	Note
1	01853531	ELEKTRİK TESİSATI, KUM. KOLU ANAHTARI	HARNESS, CONTROL LEVER SWITCH	1					

KABIN ELEKTRIĞI (6)
CAB ELECTRIC (6)



KABİN ELEKTRİĞİ (6)
CAB ELECTRIC (6)

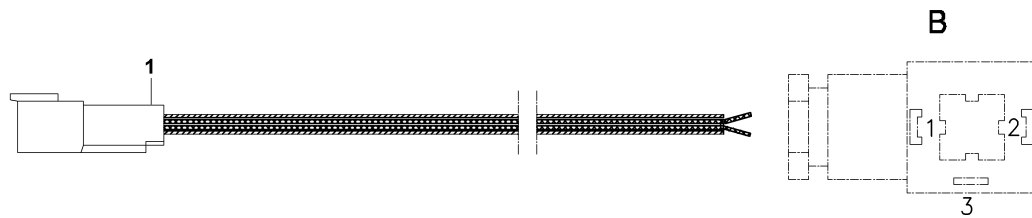
No	Parça No	Parça Adı	Adet	S.K.	Bas.S.N	Bit.S.N	Y.K.	Not
No	Part no	Description	Qty	SC	S/N from	S/N to	ICA	Note
1	F9925263	MP3 ÇALAR	1					
1A	01929245	KAPAK, TEYP	1					
2	F9925256	HOPARLÖR	2					
2A	F3210530	KAPAK, HOPARLÖR	2					
3	N049560840	VİDA	8					

KABİN ELEKTRİĞİ (7)
CAB ELECTRIC (7)

KABİN ELEKTRİĞİ (7)
CAB ELECTRIC (7)

No	Parça No	Parça Adı	Adet	S.K.	Bas.S.N	Bit.S.N	Y.K.	Not
No	Part no	Description	Qty	SC	S/N from	S/N to	ICA	Note
1	52604040	ÇALIŞMA LAMBASI, ARKA	4					
2	52604050	ÇALIŞMA LAMBASI, ÖN	4					
3	52607522	LAMBA, İÇ AYDINLATMA	1					
4	S9100966	AYNA, DİKİZ	2					
5	81014479	AYNA KOLU K.K.	2					
6	80507020	POLYAMİD PUL	4					
7	N015890842	CIVATA	2					
8	N030020018	PUL	2					
9	N044320362	VİDA	2					
10	01853417	ELEKTRİK TESİSATI, ÖN	1					
11	01853416	ELEKTRİK TESİSATI, ARKA	1					
12	52603130	TEPE İKAZ LAMBASI	1					
13	52600226	FAR, ÖN, SOL	1					
14	52600225	FAR, ÖN, SAĞ	1					
15	F9930300	YANGIN TÜPÜ	1					
16	F9930310	ASKI, YANGIN TÜPÜ	1					
17	53203000	AMPUL	1					

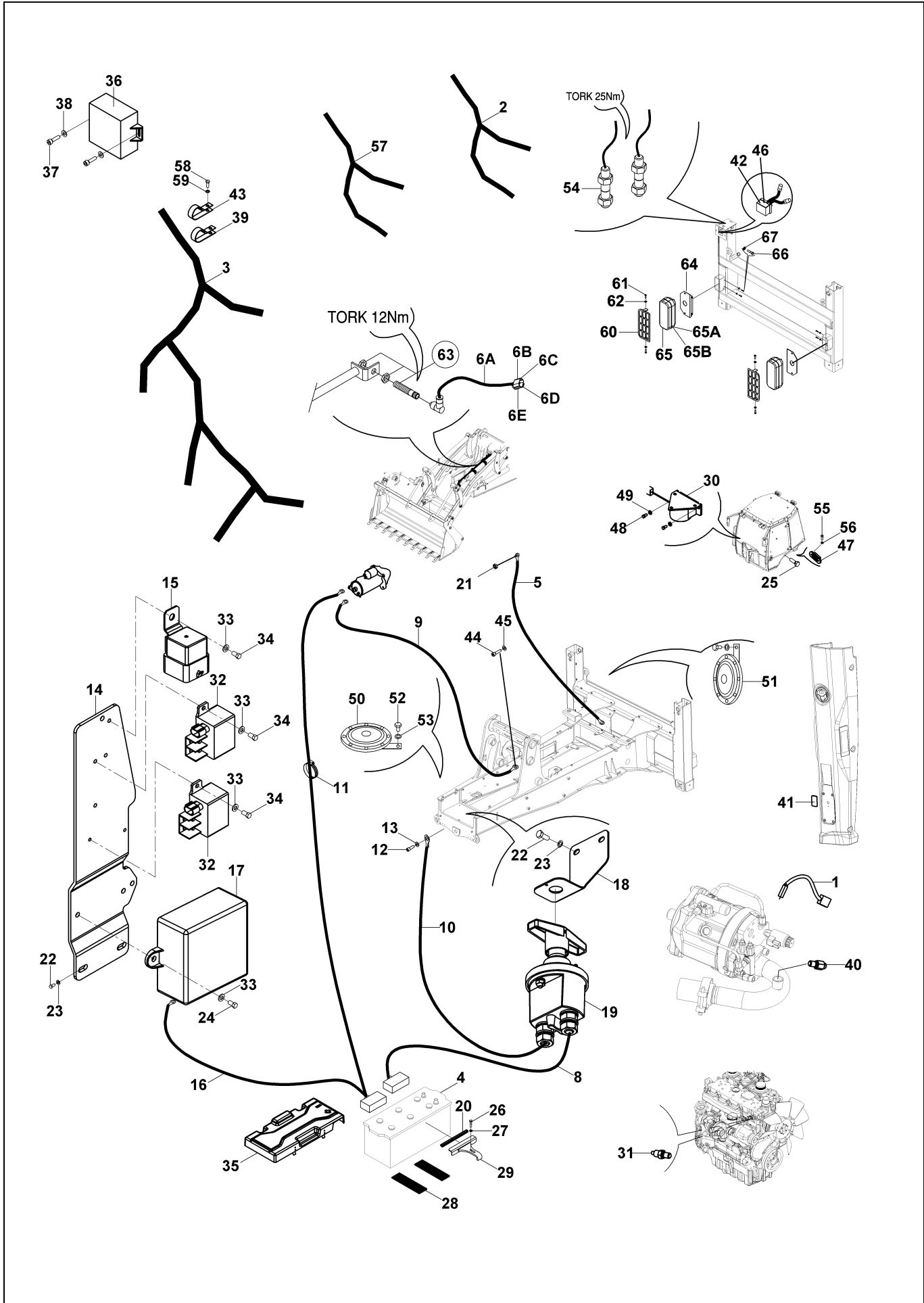
KABİN ELEKTRİĞİ (8)
CAB ELECTRIC (8)



KABİN ELEKTRİĞİ (8)
CAB ELECTRIC (8)

No	Parça No	Parça Adı	Adet	S.K.	Bas.S.N	Bit.S.N	Y.K.	Not
No	Part no	Description	Qty	SC	S/N from	S/N to	ICA	Note
1	50107000	ELEKTRİK TESİSATI, BURGU	HARNESS, AUGER	1				

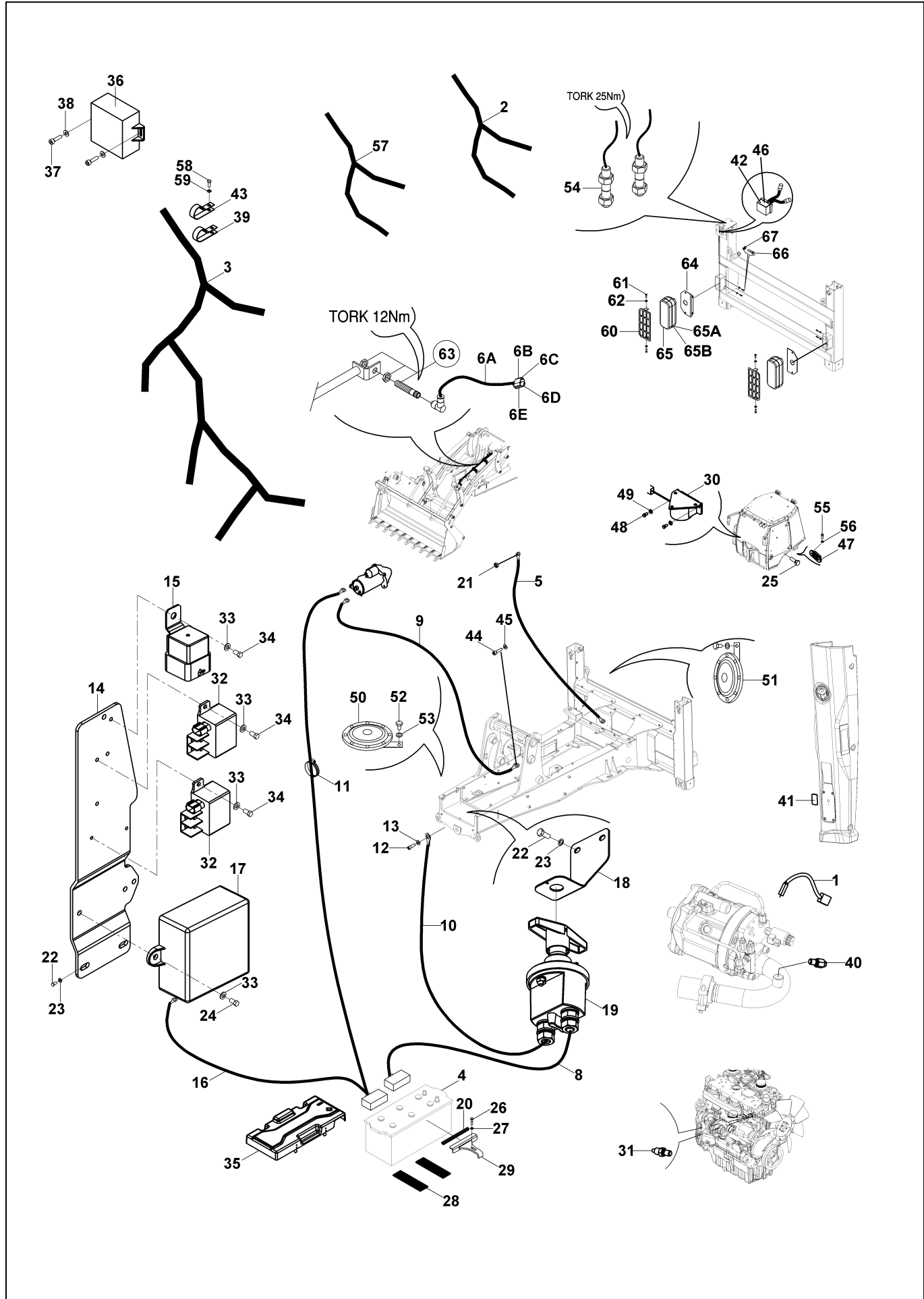
ELEKTRİK (1) ELECTRIC (1)



ELEKTRİK (1)
ELECTRIC (1)

No	Parça No	Parça Adı	Adet	S.K.	Bas.S.N	Bit.S.N	Y.K.	Not
No	Part no	Description	Qty	SC	S/N from	S/N to	ICA	Note
1	55400300	SENSÖR, SICAKLIK, DIŞ ORTAM	1					
2	01853408	ELEKTRİK TESİSATI, STOP LAMBASI	1					
3	01853134	ELEKTRİK TESİSATI, MOTOR	1					
4	50103015	AKÜ	1					
5	50106425	KABLO, KABİN ŞAŞI	1					
6A	54524100	KONDÜİT	2,5					METRE/METERS
6B	50607001	KONNEKTÖR KİLİDİ	1					
6C	50903000	TERMİNAL	3					
6D	52919000	CONTA	3					
6E	50607000	KONNEKTÖR	1					
8	50106605	KABLO, AKÜ	1					
9	50106711	KABLO, MOTOR ŞAŞI	1					
10	50106450	KABLO, MOTOR ŞAŞI	1					
11	51011700	KABLO BAĞI	1					
12	N010232438	CIVATA	1					M10x20
13	N030810015	PUL	2					
14	02030570	SAC	1					
15	54016270	RÖLE, MARŞ	1					
16	50106625	KABLO, AKÜ-SİGORTA KUTUSU	1					
17	52401125	SİGORTA KUTUSU	1					
18	02030569	SAC, AKÜ DEVRE KESİCİ	1					
19	52401118	AKÜ DEVRE KESİCİ	1					
20	H130135102	FİTİL	0,2					METRE/METERS
21	N028320038	SOMUN	1					
22	N010232114	CIVATA	4					M8x20
23	N030020111	PUL	4					
24	N041671838	VİDA	2					M5x12
25	N015890026	CIVATA	4					M4x10
26	N010232162	CIVATA	1					M8x30
27	N030100011	PUL	1					
28	02040190	LASTİK	2					
29	01993004	BRAKET	1					
30	52804505	KORNA, GERİ VİTES	1					
31	H348026700	SENSÖR, SICAKLIK	1					
32	54016250	RÖLE, GÜÇ	1					
33	N030100013	PUL	7					
34	N010231454	CIVATA	5					M6x12
35	81047011	AKÜ KORUMA	1					
36	53004201	IMMOBİLİZER	1					
37	N015890026	CIVATA	2					M4x10
38	N030100010	PUL	8					
39	N077003500	KELEPÇE	3					
40	H348026700	SENSÖR, SICAKLIK	1					
41	52036000	KAPAK	1					

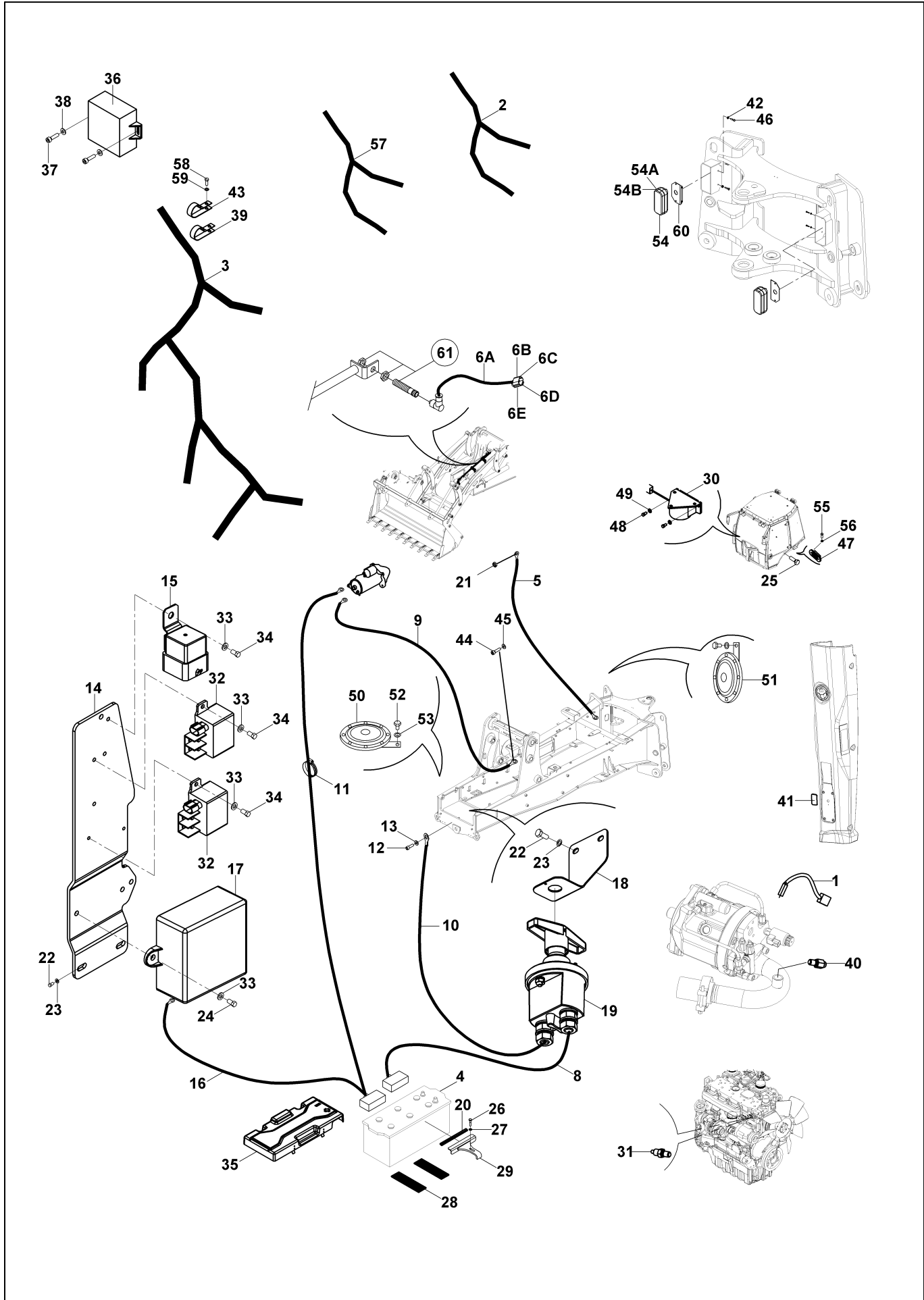
ELEKTRİK (1)
ELECTRIC (1)



ELEKTRİK (1)
ELECTRIC (1)

No	Parça No	Parça Adı	Description	Adet	S.K.	Bas.S.N	Bit.S.N	Y.K.	Not
No	Part no			Qty	SC	S/N from	S/N to	ICA	Note
42	52605000	PLAKA LAMBASI	LIGHT, REGISTRATION PLATE	1					
43	N077002200	KELEPÇE	CLAMP	3					
44	N010232078	CIVATA	BOLT	1					M8x16
45	N030810014	PUL	WASHER	1					
46	53204000	AMPUL	BULB	1					M6x20
47	52607524	LAMBA	ENTRANGE LIGHTING	2					
48	N010231478	CIVATA	BOLT	2					M6x16
49	N030020004	PUL	WASHER	2					
50	52804000	KORNA	HORN	1					
51	52804010	KORNA	HORN	1					
52	N010232054	CIVATA	BOLT	2					M8x12
53	N030020111	PUL	WASHER	2					
54	55400200	SENSÖR, KONUM	SENSOR, PROXIMITY	2					
55	N043700616	VİDA	SCREW	4					M3x16
56	N025900010	SOMUN	NUT	4					
57	01853090	ELEKTRİK TESİSATI, ŞANZİMAN	HARNESS, TRANMISSION	1					
58	N015890446	CIVATA	BOLT	6					M8x16
59	N030810014	PUL	WASHER	6					
60	02012873	KORUMA SACI, STOP LAMBASI	COVER PLATE, REAR COMBINATION LAMP	2					
61	N010221166	CIVATA	BOLT	4					M5x12
62	N030100011	PUL	WASHER	1					
63	55400033	SENSÖR, KONUM	SENSOR, PROXIMITY	1					
64	01992963	BRAKET	BRACKET	2					
65	52602610	STOP LAMBASI	REAR COMBINATION LAMP	2					
65A	52602611	AMPUL, STOP	BULB	1					
65B	52602612	AMPUL, SİNYAL-PARK	BULB	1					
66	N015890314	CIVATA	BOLT	4					M6x20
67	N030020004	PUL	WASHER	4					

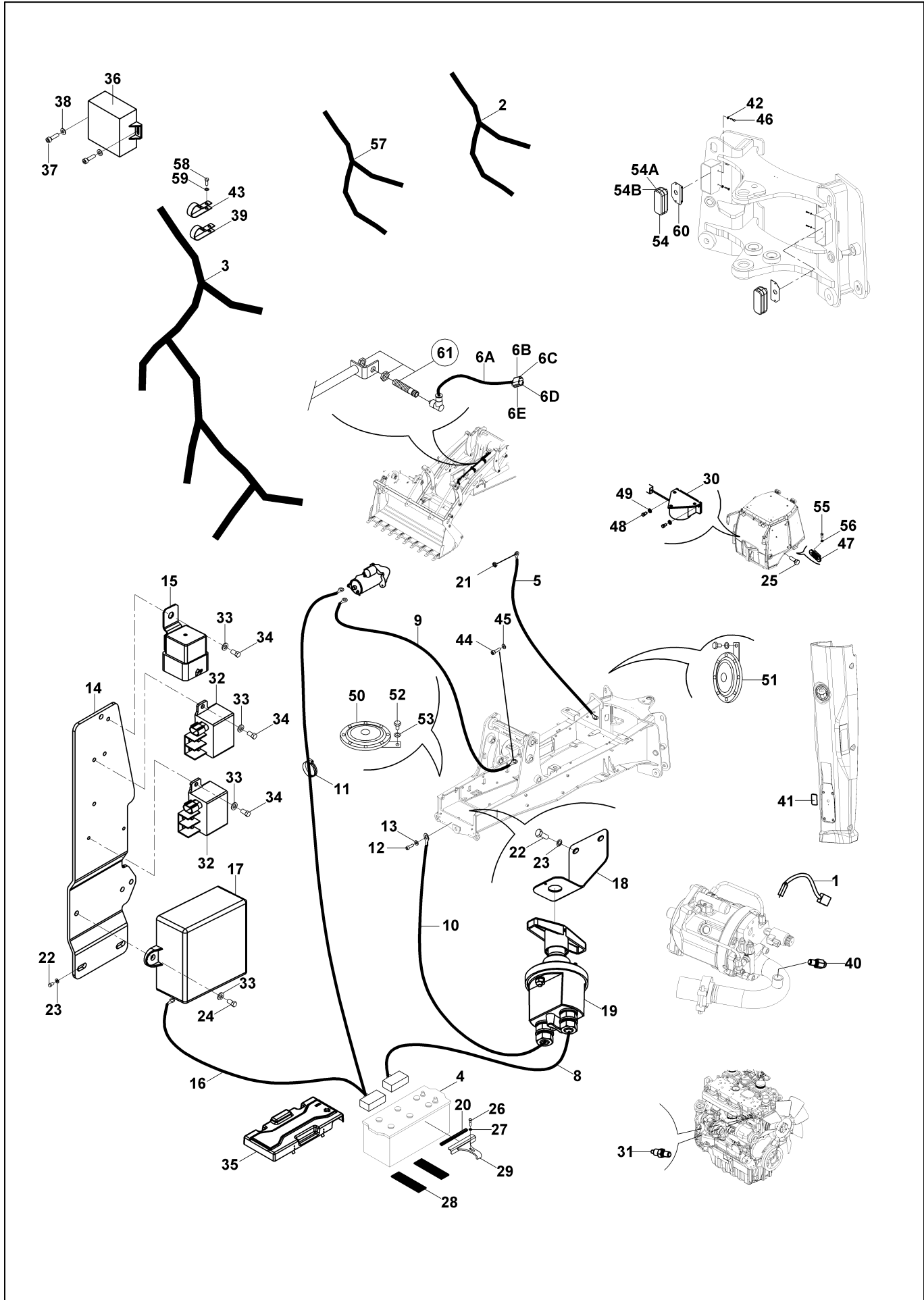
ELEKTRİK (1) (KAZ AYAK)
ELECTRIC (1) (WING TYPE STABILIZER)



ELEKTRİK (1) (KAZ AYAK)
ELECTRIC (1) (WING TYPE STABILIZER)

No	Parça No	Parça Adı	Adet	S.K.	Bas.S.N	Bit.S.N	Y.K.	Not
No	Part no	Description	Qty	SC	S/N from	S/N to	ICA	Note
1	55400300	SENSÖR, SICAKLIK, DIŞ ORTAM	1					
2	01853408	ELEKTRİK TESİSATI, STOP LAMBASI	1					
3	01853134	ELEKTRİK TESİSATI, MOTOR	1					
4	50103015	AKÜ	1					
5	50106425	KABLO, KABİN ŞASI	1					
6A	54524100	KONDÜİT	2,5					METRE/METERS
6B	50607001	KONNEKTÖR KİLİDİ	1					
6C	50903000	TERMİNAL	3					
6D	52919000	CONTA	3					
6E	50607000	KONNEKTÖR	1					
8	50106605	KABLO, AKÜ	1					
9	50106711	KABLO, MOTOR ŞASI	1					
10	50106450	KABLO, MOTOR ŞASI	1					
11	51011700	KABLO BAĞI	1					
12	N010232438	CIVATA	1					M10x20
13	N030810015	PUL	2					
14	02030570	SAC	1					
15	54016270	RÖLE, MARŞ	1					
16	50106625	KABLO, AKÜ-SİGORTA KUTUSU	1					
17	52401125	SİGORTA KUTUSU	1					
18	02030569	SAC, AKÜ DEVRE KESİCİ	1					
19	52401118	AKÜ DEVRE KESİCİ	1					
20	H130135102	FİTİL	0,2					METRE/METERS
21	N028320038	SOMUN	1					
22	N010232114	CIVATA	4					M8x20
23	N030020111	PUL	4					
24	N041671838	VİDA	2					M5x12
25	N015890026	CIVATA	4					M4x10
26	N010232162	CIVATA	1					M8x30
27	N030100011	PUL	1					
28	02040190	LASTİK	2					
29	01993004	BRACKET	1					
30	52804505	KORNA, GERİ VİTES	1					
31	H348026700	SENSÖR, SICAKLIK	1					
32	54016250	RÖLE, GÜÇ	1					
33	N030100013	PUL	7					
34	N010231454	CIVATA	5					M6x12
35	81047011	AKÜ KORUMA	1					
36	53004201	IMMOBİLİZER	1					
37	N015890026	CIVATA	2					M4x10
38	N030100010	PUL	8					
39	N077003500	KELEPÇE	3					
40	H348026700	SENSÖR, SICAKLIK	1					
41	02040813	KAPAK	1					

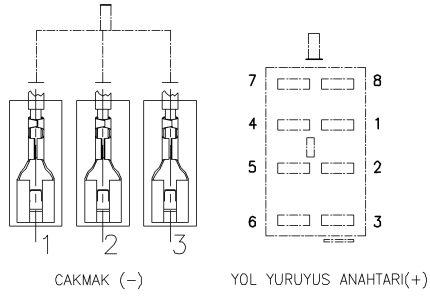
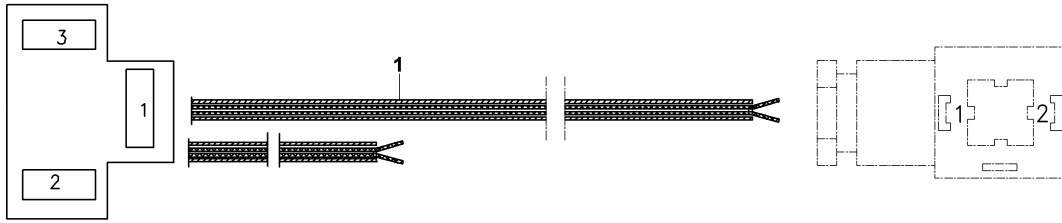
ELEKTRİK (1) (KAZ AYAK)
ELECTRIC (1) (WING TYPE STABILIZER)



ELEKTRİK (1) (KAZ AYAK)
ELECTRIC (1) (WING TYPE STABILIZER)

No	Parça No	Parça Adı		Adet	S.K.	Bas.S.N	Bit.S.N	Y.K.	Not
No	Part no		Description	Qty	SC	S/N from	S/N to	ICA	Note
42	N030020004	PUL	WASHER	4					
43	N077002200	KELEPÇE	CLAMP	3					
44	N010232078	CIVATA	BOLT	1					M8x16
45	N030810014	PUL	WASHER	1					
46	N015890314	CIVATA	BOLT	4					M6x20
47	52607524	LAMBA	ENTRANCE LIGHTING	2					
48	N010231478	CIVATA	BOLT	2					M6x16
49	N030020004	PUL	WASHER	2					
50	52804000	KORNA	HORN	1					
51	52804010	KORNA	HORN	1					
52	N010232054	CIVATA	BOLT	2					M8x12
53	N030020111	PUL	WASHER	2					
54	52602610	STOP LAMBASI	REAR COMBINATION LAMP	2					
54A	52602611	AMPUL, STOP	BULB	1					
54B	52602612	AMPUL, SİNYAL-PARK	BULB	1					
55	N043700616	VİDA	SCREW	4					M3x16
56	N025900010	SOMUN	NUT	4					
57	01853090	ELEKTRİK TESİSATI, ŞANZİMAN	HARNESS, TRANMISSION	1					
58	N015890446	CIVATA	BOLT	6					M8x16
59	N030810014	PUL	WASHER	6					
60	01992963	BRAKET	BRACKET	2					
61	55400033	SENSÖR, KONUM	SENSOR, PROXIMITY	1					M5x12

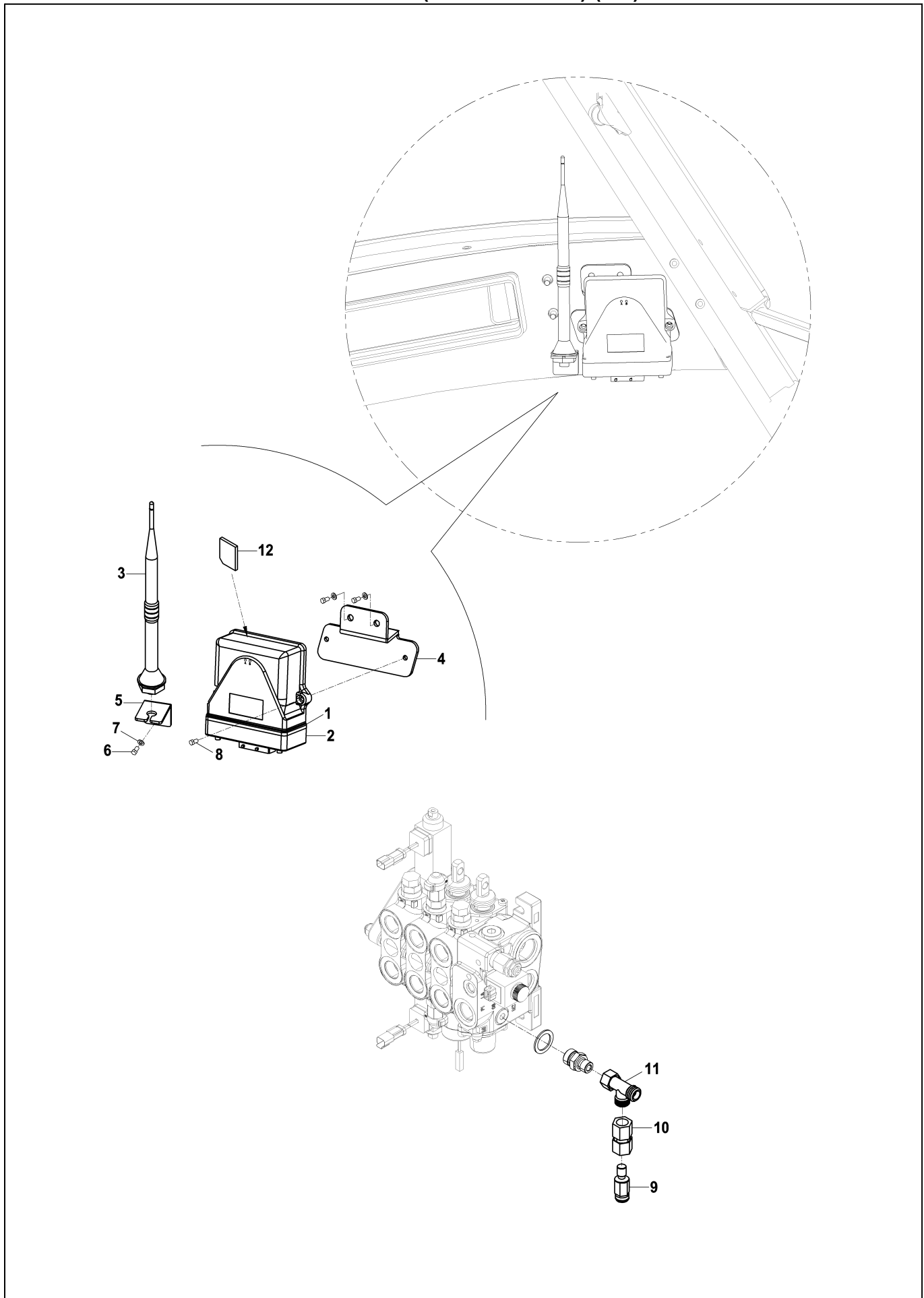
TESVİYE KÜREĞİ (ÇİFT EKSENLİ) KABLO TESİSATI (OP)
LEVELLING BLADE (WITH TWO AXIS TURN) HARNESS (OP)



ENERJİ BAĞLANTISI

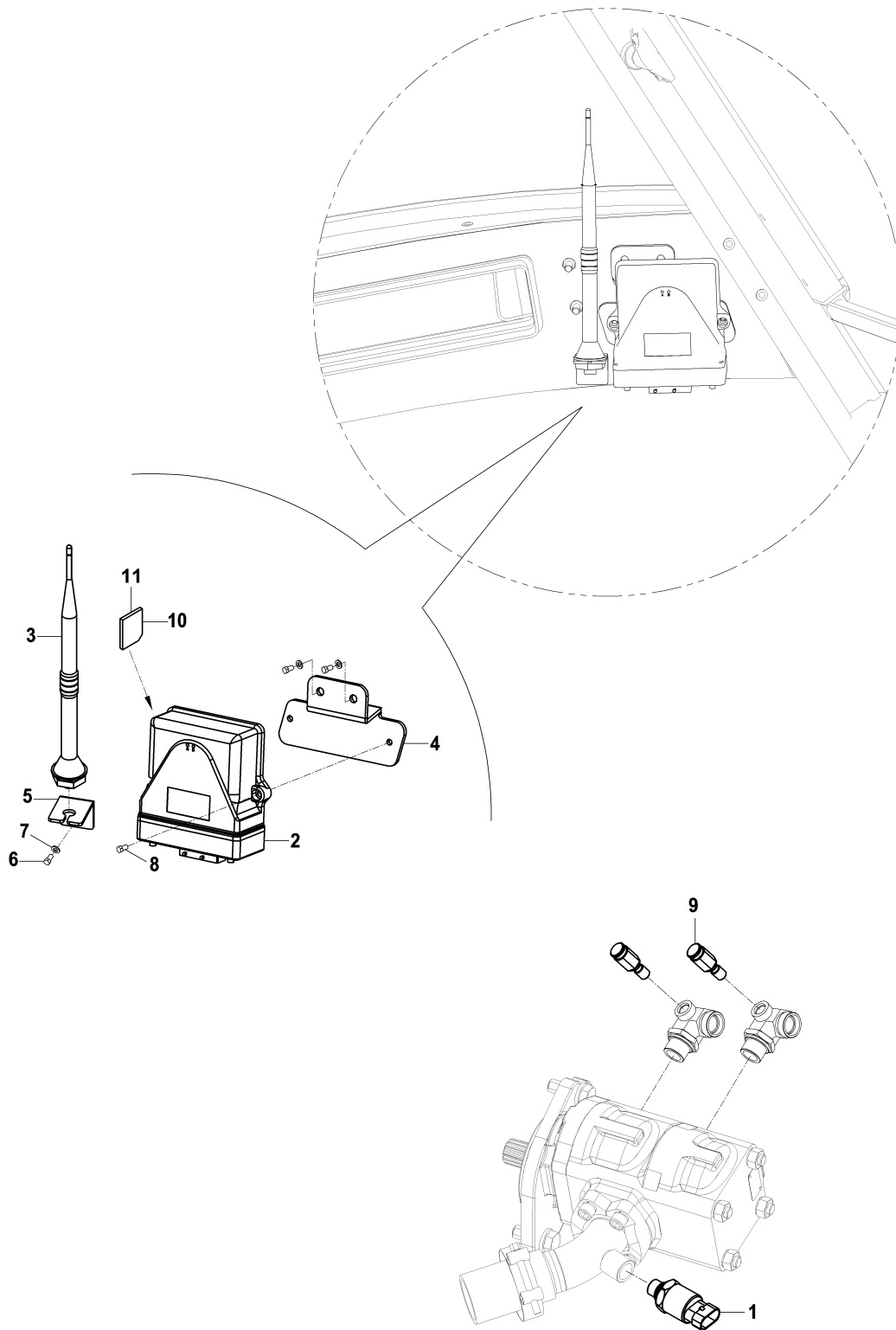
TESVİYE KÜREĞİ (ÇİFT EKSENLİ) KABLO TESİSATI (OP)
LEVELLING BLADE (WITH TWO AXIS TURN) HARNESS (OP)

No	Parça No	Parça Adı	Adet	S.K.	Bas.S.N	Bit.S.N	Y.K.	Not
No	Part no	Description	Qty	SC	S/N from	S/N to	ICA	Note
1	01852810	ELEKTRİK TESİSATI, TESVİYE KÜREĞİ	HARNESS, LEVELLING BLADE	1				

SMARTLINK (PISTONLU POMPA) (OP)
SMARTLINK (PISTON PUMP) (OP)

SMARTLINK (PİSTONLU POMPA) (OP)
SMARTLINK (PISTON PUMP) (OP)

No	Parça No	Parça Adı	Description	Adet	S.K.	Bas.S.N	Bit.S.N	Y.K.	Not
No	Part no			Qty	SC	S/N from	S/N to	ICA	Note
0	01793001	SMARTLINK	SMARTLINK	1					
1	H900522701	LİSANS, SMARTLİNK	LISANCE, SMARTLINK	1					
2	H900522101	ÜNİTE, SMARTLİNK	UNIT, SMARTLINK	1					
3	H900522200	ANTEN, GSM	ANTENNA, GSM	1					
4	02009086	BRAKET, SMARTLİNK	BRACKET	1					
5	02009083	BRAKET, ANTEN	BRACKET, ANTENNA	1					
6	N010232078	CIVATA	BOLT	3					M8x16
7	N030810014	PUL	WASHER	3					M8x16
8	N015890314	CIVATA	BOLT	4					M6x20
9	H343206202	SENSÖR, BASINÇ	SENSOR, PRESSURE	2					
10	80699947	NİPEL	ADAPTER	1					
11	N163790038	T ADAPTÖR	TEE	1					
12	H900522600	SİM KART	SIM CARD	1					

SMARTLINK (DIŞLİ POMPA) (OP)
SMARTLINK (GEAR PUMP) (OP)

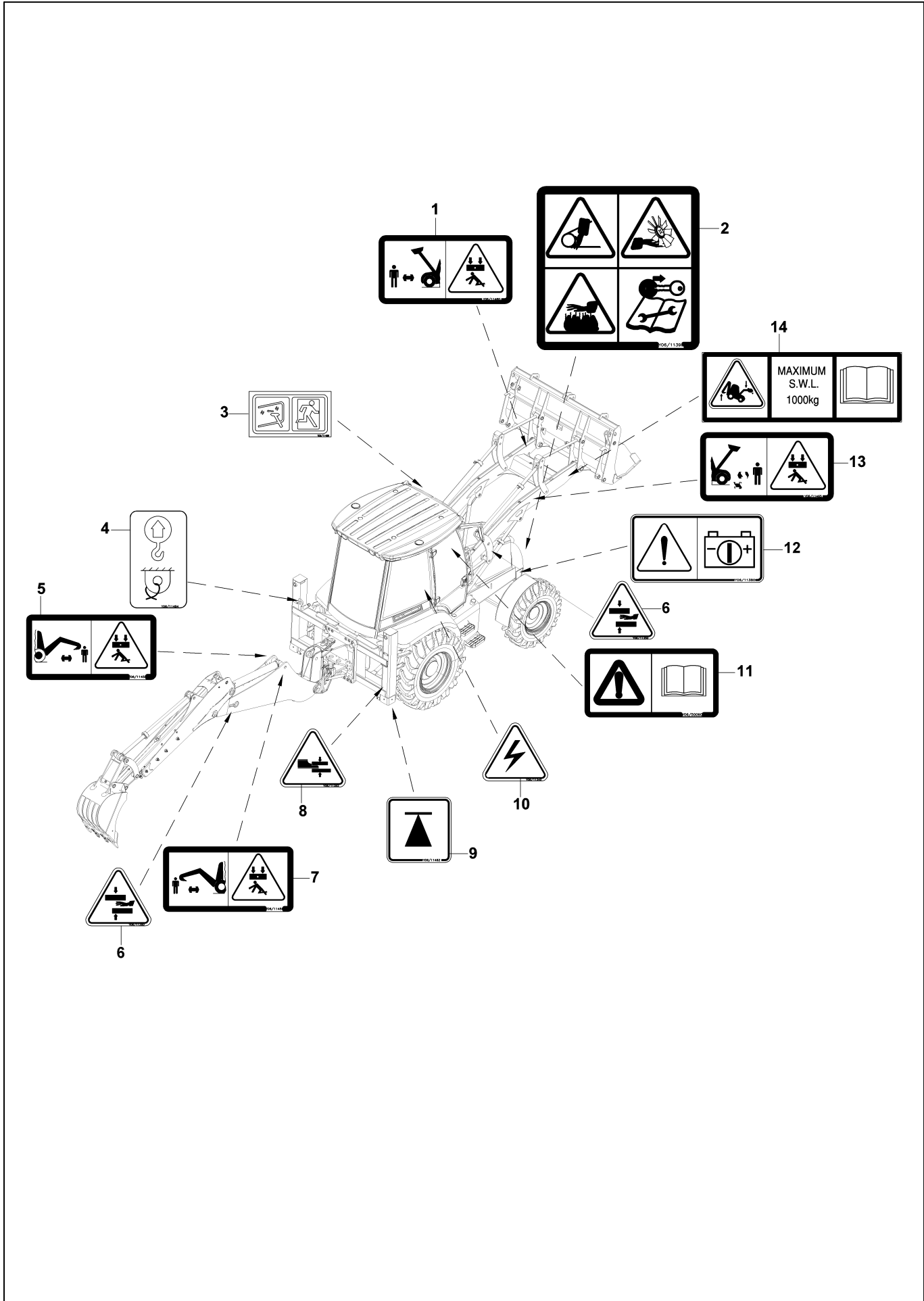
SMARTLINK (DİŐLİ POMPA) (OP)
SMARTLINK (GEAR PUMP) (OP)

No	Parça No	Parça Adı	Description	Adet	S.K.	Bas.S.N	Bit.S.N	Y.K.	Not
No	Part no			Qty	SC	S/N from	S/N to	ICA	Note
0	01793003	SMARTLINK HABERLEŐME SİSTEMİ	SMARTLINK COMMUNICATION SYSTEM	1					
1	H348026700	SENSÖR, SICAKLIK	TEMPERATURE SENSOR	1					
2	H900522101	ÜNİTE, SMARTLİNK	UNIT, SMARTLINK	1					
3	H900522200	ANTEN, GSM	ANTENNA, GSM	1					
4	02009086	BRAKET, SMARTLİNK	BRACKET	1					
5	02009083	BRAKET, ANTEN	BRACKET, ANTENNA	1					
6	N010232078	CIVATA	BOLT	3					M8x16
7	N030810014	PUL	WASHER	3					M8
8	N015890314	CIVATA	BOLT	4					M6x20
9	H343206202	SENSÖR, BASINÇ	SENSOR, PRESSURE	2					
10	H900522701	LİSANS, SMARTLİNK	LISANCE, SMARTLINK	1					
11	H900522600	SİM KART	SIM CARD	1					

Y - DİĞERLERİ (ETİKET, AVADANLIK) Y - OTHERS (DECAL, TOOLS)

Sayfa No / Page No	Sayfa Adı	Page Name	Revizyon / Revision
Y010.00.02	ETİKETLER, UYARI	DECALS, WARNING	
Y010.04.01	ETİKET VE LEVHALAR (1)	DECAL AND PLATES (1)	
Y020.66.01	ETİKET VE LEVHALAR (TÜRKÇE) (2)	DECAL AND PLATES (TR) (2)	
Y020.67.01	ETİKET VE LEVHALAR (İNGİLİZCE) (2)	DECAL AND PLATES (EN) (2)	
Y020.68.01	ETİKET VE LEVHALAR (FRANSIZCA) (2)	DECAL AND PLATES (FR) (2)	
Y020.69.01	ETİKET VE LEVHALAR (ES) (2)	DECAL AND PLATES (ES) (2)	
Y020.70.01	ETİKET VE LEVHALAR (RUSÇA) (2)	DECAL AND PLATES (RU) (2)	
Y020.71.01	ETİKET VE LEVHALAR (PORTEKİZCE) (2)	DECAL AND PLATES (PT) (2)	
Y020.72.01	ETİKET VE LEVHALAR (BULGARCA) (2)	DECAL AND PLATES (BG) (2)	
Y030.00.01	ETİKET VE LEVHALAR, KIRICI	DECAL AND PLATES, BREAKER	
Y040.00.03	AVADANLIK TAKIMI	TOOL KIT	

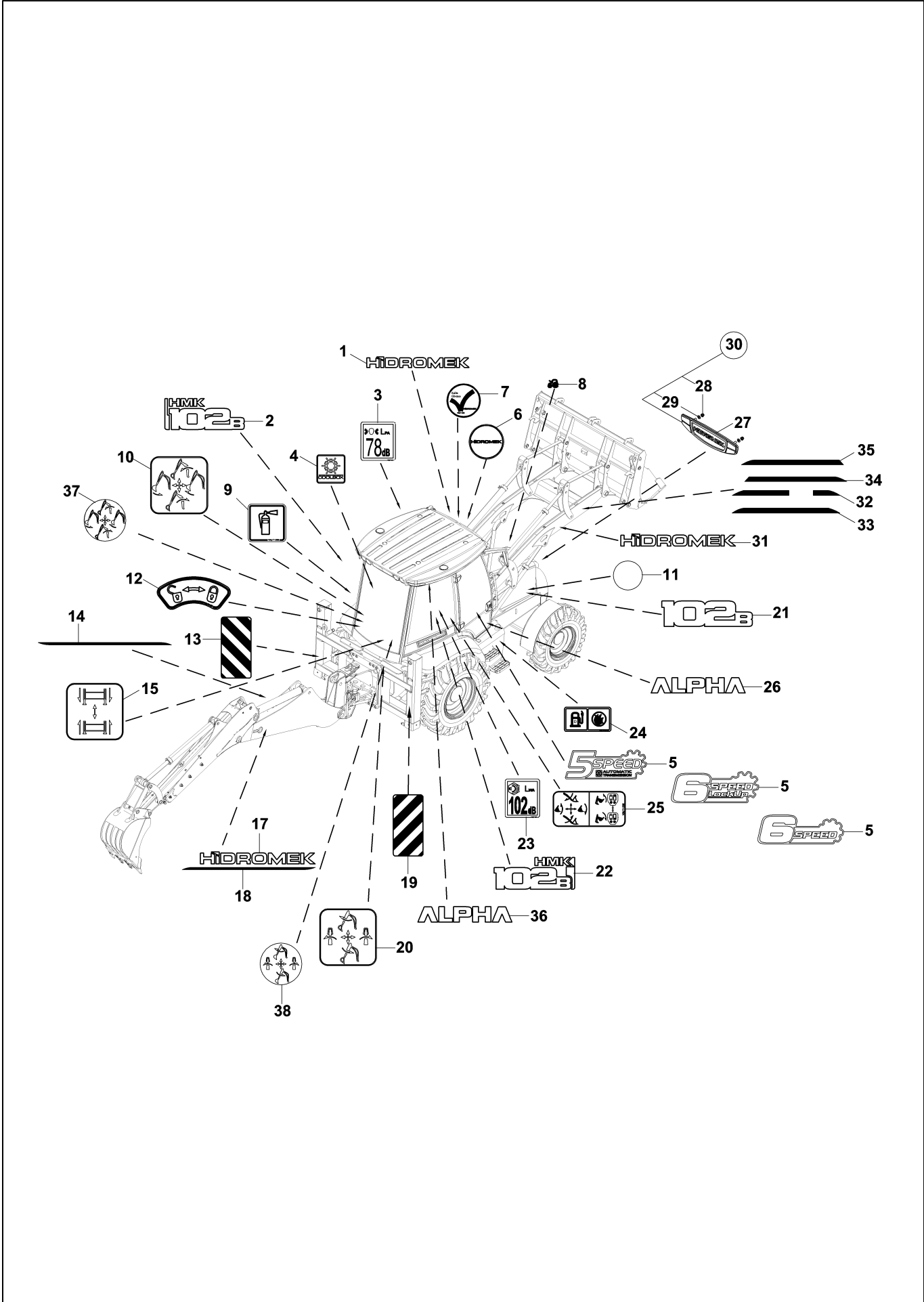
ETİKETLER, UYARI DECALS, WARNING



**ETİKETLER, UYARI
DECALS, WARNING**

No	Parça No	Parça Adı	Adet	S.K.	Bas.S.N	Bit.S.N	Y.K.	Not
No	Part no	Description	Qty	SC	S/N from	S/N to	ICA	Note
1	Y0611460	ETİKET, YÜKLEYİCİ KEPÇE İKAZ, SOL	1					
2	Y0611390	ETİKET, MOTOR İKAZ	1					
3	Y0611486	ETİKET, ACİL ÇIKIŞ	2					
4	Y0611484	ETİKET, KALDIRMA HALKASI	4					
5	Y0611455	ETİKET, KAZICI İKAZ, SOL	1					
6	Y0611350	ETİKET, MEKANİZMA İKAZ	2					
7	Y0611450	ETİKET, KAZICI İKAZ, SAĞ	1					
8	Y0611352	ETİKET, MEKANİZMA İKAZ	2					
9	Y0611482	ETİKET, KRİKO YERİ	4					
10	Y0611340	ETİKET, ELEKTRİK İKAZ	1					
11	Y0650090	ETİKET, KULLANIM BAKIM KİTABI, EN.	1					
12	Y0611380	ETİKET, AKÜ İKAZ	1					
13	Y0611465	ETİKET, YÜKLEYİCİ KEPÇE İKAZ, SAĞ	1					
14	Y0611471	ETİKET, AZAMI YÜK	1					

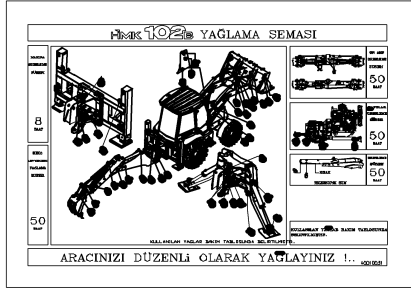
ETİKET VE LEVHALAR (1) DECAL AND PLATES (1)



ETİKET VE LEVHALAR (1)
DECAL AND PLATES (1)

No	Parça No	Parça Adı	Description	Adet	S.K.	Bas.S.N	Bit.S.N	Y.K.	Not
No	Part no			Qty	SC	S/N from	S/N to	ICA	Note
1	Y0611313	ETİKET, HİDROMEK	DECAL, HİDROMEK	1					
2	Y0611676	ETİKET, HMK102B	DECAL, HMK102B	1					
3	Y0611541	ETİKET, GÜRÜLTÜ, KABİN İÇİ	DECAL, NOISE, CAB INTERIOR	1					
4	Y0620495	ETİKET, SOĞUTUCU TORPİDO	DECAL, COOLBOX	1					
5	Y0611704	ETİKET, 5 VİTES	DECAL, 5 SPEED	2					
5	Y0611719	ETİKET, 6 VİTES	DECAL, 6 SPEED	2				OP.	
5	Y0611718	ETİKET, 6 VİTES (LOCKUP)	DECAL, 6 SPEED (LOCKUP)	2				OP.	
6	Y0620110	ETİKET, DİREKSİYON GÖBEĞİ	DECAL, STEERING WHEEL	1					
7	Y0611365	ETİKET, OKEY	DECAL, OKAY	1					
8	Y0611395	ETİKET, KAPUT AÇMA	DECAL, BONNET LOCKUNLOCK	1					
9	Y0611355	ETİKET, YANGIN SÖNDÜRÜCÜ	DECAL, FIRE EXTINGUISHER	1					
10	Y0611228	ETİKET, JOYSTİK FONKSİYON, KAZICI, SAĞ	DECAL, JOYSTICK FUNCTION, RH	1					
11	Y0611334	ETİKET, HAVA FİLTRESİ	DECAL, AIR FILTER	1					
12	Y0611425	ETİKET, ARKA KUMANDA LEVYE KİLİDİ	DECAL, BACKHOE CONTROL LEVER LOCKING	1					
13	Y0690051	REFLEKTÖR, SOL	REFLECTOR, LH	1					
14	Y0611687	BOM ETİKETİ, SOL	DECAL, BOOM, LEFT	1					
15	Y0611232	ETİKET, KIZAK AYAK FONKSİYONU	DECAL, STABILISER FUNCTION	1					
17	Y0611322	ETİKET, HİDROMEK	DECAL, HİDROMEK	2					
18	Y0611686	BOM ETİKETİ, SOL	DECAL, BOOM, LEFT	1					
19	Y0690052	REFLEKTÖR, SAĞ	REFLECTOR, RH	1					
20	Y0611229	ETİKET, JOYSTİK FONKSİYON, KAZICI, SOL	DECAL, JOYSTICK FUNCTION, LH	1					
21	Y0611685	ETİKET, KAPUT, HMK 102B	DECAL, HOOD, HMK102B	2					
22	Y0611675	ETİKET, HMK102B	DECAL, HMK102B	1					
23	Y0611551	ETİKET, GÜRÜLTÜ, KABİN DIŞI	DECAL, NOISE, CAB EXTERIOR	1					
24	Y0611430	MÜŞİR, YAKIT TANKI	DECAL, FUEL TANK	1					
25	Y0611308	ETİKET, ÖN KUMANDA LEVYE FONKSİYONLARI	DECAL, LOADER CONTROL LEVER FUNCTIONS	1					
26	Y0611741	ETİKET, ALPHA	DECAL, ALPHA	2					
27	Y0620271	ETİKET, HMK , ÖN PANJUR	DECAL, HMK, FRONT GRILLE	1					
28	N025910026	SOMUN	NUT	2					
29	F9977907	PUL	WASHER	2					
30	01890454	ETİKET, HMK , ÖN PANJUR	DECAL, HMK, FRONT GRILLE	1					
31	Y0611326	ETİKET, HİDROMEK	DECAL, HİDROMEK	2					
32	Y0611703	ETİKET, ÖN KOL , ARKA SOL	STICKER, LOADER ARM, REAR-LH	1					
33	Y0611699	ETİKET, ÖN KOL , ARKA SAĞ	STICKER, LOADER ARM, REAR-RH	1					
34	Y0611694	ETİKET, ÖN KOL , ÖN SAĞ	STICKER, LOADER ARM, FRONT-RH	1					
35	Y0611692	ETİKET, ÖN KOL , ÖN SOL	STICKER, LOADER ARM, FRONT-LH	1					
36	Y0611321	ETİKET, ALPHA	DECAL, ALPHA	2					
37	Y0611230	ETİKET, FONKSİYON SAĞ	DECAL, FUNCTION RIGHT	1					
38	Y0611231	ETİKET, FONKSİYON SOL	DECAL, FUNCTION LEFT	1					

ETİKET VE LEVHALAR (TÜRKÇE) (2) DECAL AND PLATES (TR) (2)



HMK 102B BAKIM TABLOSU

BÖLGE	YERİNE GELİŞİM	YERİNE GELİŞİM	SİZEL	YERİNE GELİŞİM
MOTOR	12.5 LİTRERİNİN ÜSTÜNE SARFIYI 100 SAATTE BİR YAKIT YAKIYOR	BİRİNCİ DÖNÜŞ 12.5 LİTRERİNİN ÜSTÜNE 200 SAATTE BİR	YERİNE GELİŞİM 12.5 LİTRERİNİN ÜSTÜNE 200 SAATTE BİR	YERİNE GELİŞİM 12.5 LİTRERİNİN ÜSTÜNE 200 SAATTE BİR
YANAĞA	10 LİTRERİNİN ÜSTÜNE SARFIYI 100 SAATTE BİR YAKIT YAKIYOR	BİRİNCİ DÖNÜŞ 10 LİTRERİNİN ÜSTÜNE 200 SAATTE BİR	YERİNE GELİŞİM 10 LİTRERİNİN ÜSTÜNE 200 SAATTE BİR	YERİNE GELİŞİM 10 LİTRERİNİN ÜSTÜNE 200 SAATTE BİR
YANAĞA DÖNÜŞ	10 LİTRERİNİN ÜSTÜNE SARFIYI 100 SAATTE BİR YAKIT YAKIYOR	BİRİNCİ DÖNÜŞ 10 LİTRERİNİN ÜSTÜNE 200 SAATTE BİR	YERİNE GELİŞİM 10 LİTRERİNİN ÜSTÜNE 200 SAATTE BİR	YERİNE GELİŞİM 10 LİTRERİNİN ÜSTÜNE 200 SAATTE BİR
YANAĞA DÖNÜŞ	10 LİTRERİNİN ÜSTÜNE SARFIYI 100 SAATTE BİR YAKIT YAKIYOR	BİRİNCİ DÖNÜŞ 10 LİTRERİNİN ÜSTÜNE 200 SAATTE BİR	YERİNE GELİŞİM 10 LİTRERİNİN ÜSTÜNE 200 SAATTE BİR	YERİNE GELİŞİM 10 LİTRERİNİN ÜSTÜNE 200 SAATTE BİR
YANAĞA DÖNÜŞ	10 LİTRERİNİN ÜSTÜNE SARFIYI 100 SAATTE BİR YAKIT YAKIYOR	BİRİNCİ DÖNÜŞ 10 LİTRERİNİN ÜSTÜNE 200 SAATTE BİR	YERİNE GELİŞİM 10 LİTRERİNİN ÜSTÜNE 200 SAATTE BİR	YERİNE GELİŞİM 10 LİTRERİNİN ÜSTÜNE 200 SAATTE BİR
YANAĞA DÖNÜŞ	10 LİTRERİNİN ÜSTÜNE SARFIYI 100 SAATTE BİR YAKIT YAKIYOR	BİRİNCİ DÖNÜŞ 10 LİTRERİNİN ÜSTÜNE 200 SAATTE BİR	YERİNE GELİŞİM 10 LİTRERİNİN ÜSTÜNE 200 SAATTE BİR	YERİNE GELİŞİM 10 LİTRERİNİN ÜSTÜNE 200 SAATTE BİR
YANAĞA DÖNÜŞ	10 LİTRERİNİN ÜSTÜNE SARFIYI 100 SAATTE BİR YAKIT YAKIYOR	BİRİNCİ DÖNÜŞ 10 LİTRERİNİN ÜSTÜNE 200 SAATTE BİR	YERİNE GELİŞİM 10 LİTRERİNİN ÜSTÜNE 200 SAATTE BİR	YERİNE GELİŞİM 10 LİTRERİNİN ÜSTÜNE 200 SAATTE BİR

1

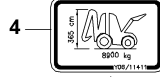
2

14

**ŞANZİMAN YAĞ SEVİYESİNİ
MAKİNE 1000 dev'dak' da
ÇALIŞIRKEN KONTROL EDİNİZ.**

DIKKAT !
HAVA FİLTRESİNİ TEMİZLEMİYİNİZ
YANINIZDA YEDİĞİNİ BULUNDURARAK
HAKZ 300'DE YANINDA YENİSİ İLE
DEĞİŞTİRİNİZ.

5

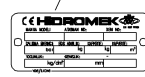


15



(SİZİ DİNLIYORUZ)
444 6 465
(HMK)
İLETİŞİM SIKIYET ÖZENEK

13



ANTİFİZ -25 °C

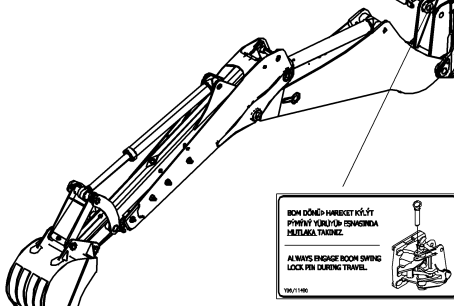
7

3

11

CE HYDROMEK

MAKİNE NO:	YAKIT TİPİ:
YAKIT SEVİYESİ:	YAKIT TİPİ:
MAKİNE NO:	YAKIT TİPİ:
YAKIT SEVİYESİ:	YAKIT TİPİ:



**BOM DÖNÜŞ MANDİBET KİLİTİ
PİYANİYO KİLİTİ ÇIKARILMASI
İÇİN BAĞLAYINIZ.**
ALWAYS ENGAGE BOOM SWING
LOCK PIN DURING TURNING.

12

8

HYDROMEK

KONTROL	CHARTER
MAKİNE	YAKIT
YAKIT	YAKIT
YAKIT	YAKIT
YAKIT	YAKIT

9

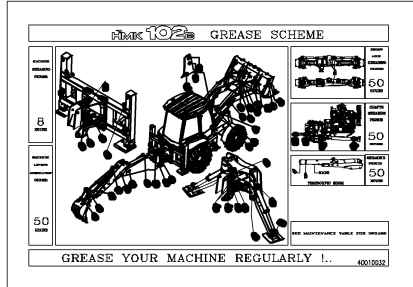
DIKKAT
ARACINIZ TIER3 MOTORLUDUR
KESİNLİKLE EN 590 STANDARTINA UYGUN
VEYA KULLANIM BAKIM KİTAPINDA BELİRTİLEN ÖZELLİKTE
DÜŞÜK KÖKÜRTÜLÜ MOTORIN KULLANINIZ.
DEPODAKI SU VE TORTUYU EN AZ HAFTADA BİR KERE TEMİZLEYİNİZ.
KİRLİ VEYA STANDART DIŞI YAKIT, YAKIT SİSTEMİNİZE ZARAR VERİR.

1984/2021

ETİKET VE LEVHALAR (TÜRKÇE) (2)
DECAL AND PLATES (TR) (2)

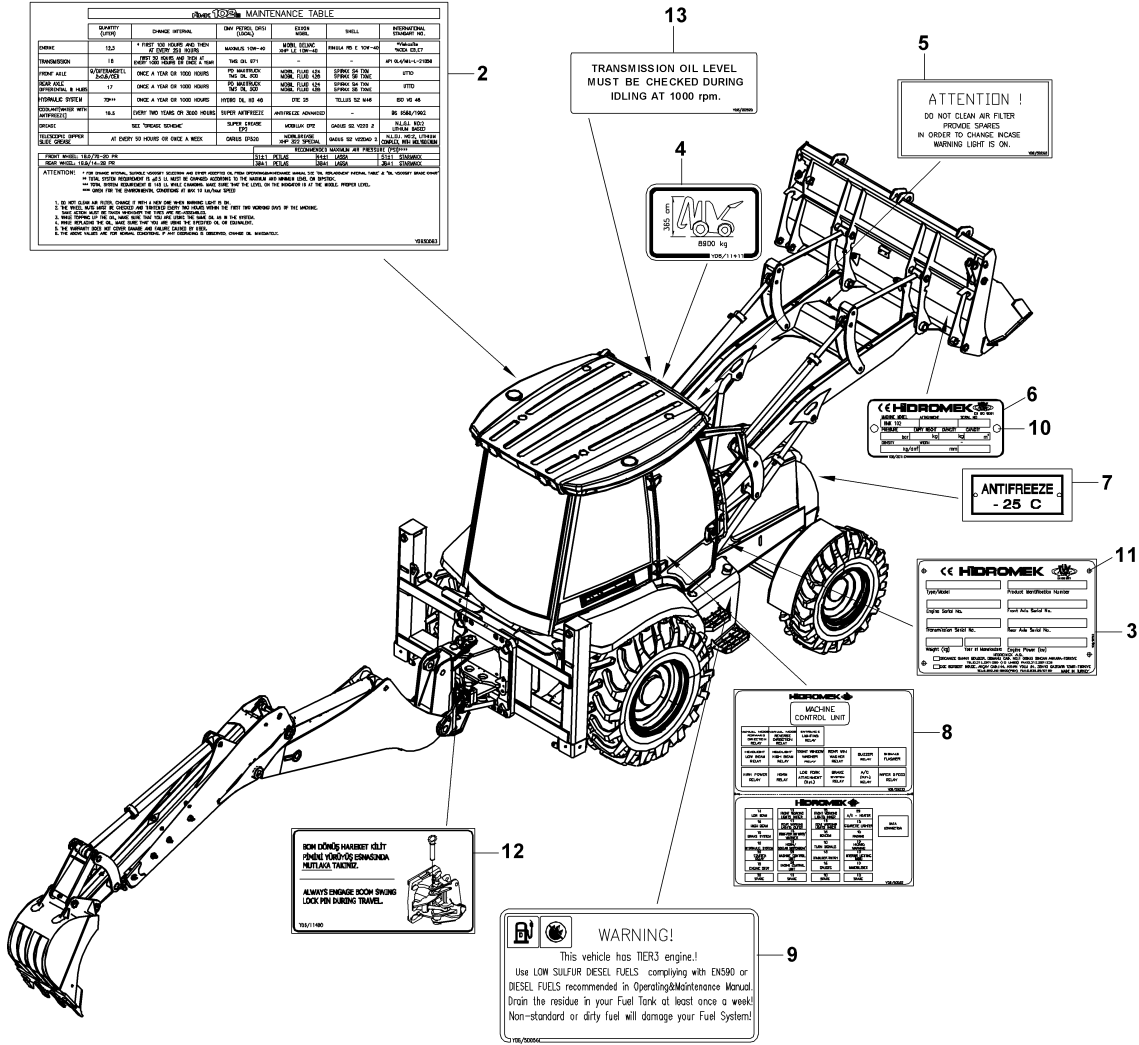
No	Parça No	Parça Adı	Description	Adet	S.K.	Bas.S.N	Bit.S.N	Y.K.	Not
No	Part no			Qty	SC	S/N from	S/N to	ICA	Note
1	40010031	ETİKET, YAĞLAMA ŞEMASI, 102B, TR	DECAL, LUBRICATION TABLE	1					
2	Y0600251	ETİKET, BAKIM TABLOSU, 102B, TR	DECAL, MAINTENANCE TABLE, 102B, TR	1					
3	Y0621014	İSİM PLAKASI, MAKİNE	NAME PLATE	1					
4	Y0611411	ETİKET, MAKİNA BOYUTU	DECAL, DIMENSION	1					
5	Y0620200	ETİKET, HAVA FİLTRESİ UYARI	DECAL, WARNING, AIR FILTER	1					
6	Y0621040	ETİKET, ATAŞMAN	DECAL, ATTACHMENT TYPE	1					
7	Y0620500	ETİKET, ANTİFİRİZ	DECAL, ANTIFREEZE	1					
8	Y0621823	ETİKET, SİGORTA-RÖLE TABLASI, TR	DECAL, FUSE-RELAY BOARD, TR	1					
9	Y0620221	ETİKET, YAKIT UYARI, TR	DECAL, WARNING, FUEL, TR	1					
10	N130010090	PERÇİN	RIVET	2					
11	N130020295	PERÇİN	BLIND RIVET	4					
12	Y0611490	ETİKET, DÖNÜŞ KİLİT PİMİ, EN.	DECAL, BOOM SWING LOCK PIN, EN.	1	OP				
13	H347008800	ETİKET, ÇAĞRI MİMERKEZİ	DECAL, CALL CENTER	1	OP				
14	Y0620510	ETİKET, ŞANZİMAN YAĞ SEVİYESİ, FR	DECAL, TRANSMISSION OIL LEVEL, FR	1					
15	Y0611705	ETİKET, 7500 GARANTİ	DECAL, 7500 GUARANTY	3					

ETİKET VE LEVHALAR (İNGİLİZCE) (2) DECAL AND PLATES (EN) (2)



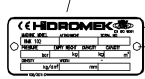
COMPONENT	QUANTITY	CHANGE INTERVAL	DAY	PERIOD	GRADE	REMARKS	INFORMATION
ENGINE	12.2	1 FIRST 50 HOURS AND THEN EVERY 500 HOURS	MANUAL	100-150	SAE 15W-40	USE LOW SULFUR DIESEL FUELS	HYDRA-MATIC
TRANSMISSION	18	EVERY 500 HOURS OR 2500 KM	THIS OIL	171	-	-	HYDRA-MATIC-2000
FRONT AXLE	2 (200MM/8")	ONCE A YEAR OR 1000 HOURS	SAE 100W GL 3	150	-	-	EP2
REAR AXLE	2 (200MM/8")	ONCE A YEAR OR 1000 HOURS	SAE 100W GL 3	150	-	-	EP2
STEERING SYSTEM	200	ONCE A YEAR OR 1000 HOURS	SAE 100W GL 3	150	-	-	SAE 100W GL 3
HYDRAULIC SYSTEM	16.2	EVERY 100 HOURS OR 5000 KM	SAE 100W GL 3	150	-	-	SAE 100W GL 3
WHEELS	4	EVERY 100 HOURS OR 5000 KM	SAE 100W GL 3	150	-	-	SAE 100W GL 3
WHEEL BEARINGS	8	EVERY 100 HOURS OR 5000 KM	SAE 100W GL 3	150	-	-	SAE 100W GL 3
WHEEL AXLES	4	EVERY 100 HOURS OR 5000 KM	SAE 100W GL 3	150	-	-	SAE 100W GL 3

ATTENTION: For engine oil, always use the correct oil grade and always use low sulfur diesel fuels. The recommended oil grade is 15W-40. For hydraulic oil, use the correct oil grade and always use low sulfur diesel fuels. The recommended oil grade is 100W GL 3. For wheel bearings, use the correct oil grade and always use low sulfur diesel fuels. The recommended oil grade is 100W GL 3. For wheel axles, use the correct oil grade and always use low sulfur diesel fuels. The recommended oil grade is 100W GL 3.



13
TRANSMISSION OIL LEVEL MUST BE CHECKED DURING IDLING AT 1000 rpm.

5
ATTENTION !
DO NOT CLEAN AIR FILTER
IN ORDER TO CHANGE IN CASE
WARNING LIGHT IS ON.



7
ANTIFREEZE
-25 C

11
CE HIDROMEK

Operator: _____
 Machine No: _____
 Serial No: _____
 Date: _____

8
MACHINE CONTROL UNIT

FUNCTION	OPERATION	STATUS
START	START	ON
STOP	STOP	OFF
PAUSE	PAUSE	OFF
REVERSE	REVERSE	OFF
FORWARD	FORWARD	OFF
LEFT TURN	LEFT TURN	OFF
RIGHT TURN	RIGHT TURN	OFF
HOIST	HOIST	OFF
LOWER	LOWER	OFF
RAISE	RAISE	OFF
RETRACT	RETRACT	OFF
EXTEND	EXTEND	OFF
CLAMP	CLAMP	OFF
UNCLAMP	UNCLAMP	OFF
RELEASE	RELEASE	OFF
LOCK	LOCK	OFF
UNLOCK	UNLOCK	OFF

12
SOM DÖNÜŞ HAREKETİ GÜLT
FÖNÜM KÖNÜŞ HAREKİNDEN
NETİKA TRAVEL.

**ALWAYS ENGAGE LOCK SPRING
LOCK FOR DURING TRAVEL.**

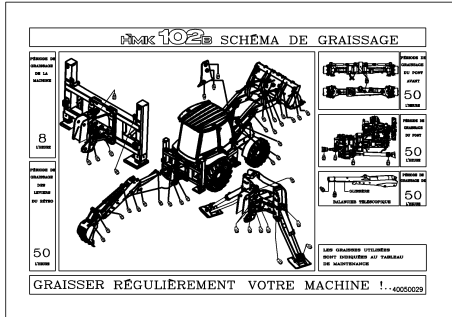
100111400

9
WARNING!
This vehicle has TIER3 engine!
Use LOW SULFUR DIESEL FUELS complying with EN590 or DIESEL FUELS recommended in Operating&Maintenance Manual.
Drain the residue in your Fuel Tank at least once a week!
Non-standard or dirty fuel will damage your Fuel System!

ETİKET VE LEVHALAR (İNGİLİZCE) (2)
DECAL AND PLATES (EN) (2)

No	Parça No	Parça Adı	Description	Adet	S.K.	Bas.S.N	Bit.S.N	Y.K.	Not
No	Part no			Qty	SC	S/N from	S/N to	ICA	Note
1	40010032	ETİKET, YAĞLAMA ŞEMASI, 102B, EN	DECAL, LUBRICATION TABLE	1					
2	Y0650083	ETİKET, BAKIM TABLOSU, 102B, EN.	DECAL, MAINTENANCE TABLE, 102B, EN.	1					
3	Y0650163	İSİM PLAKASI, MAKİNE, EN.	NAME PLATE, EN.	1					
4	Y0611411	ETİKET, MAKİNA BOYUTU	DECAL, DIMENSION	1					
5	Y0650050	ETİKET, HAVA FİLTRESİ UYARI, EN.	DECAL, WARNING, AIR FILTER, EN.	1					
6	Y0650110	ETİKET, ATAŞMAN , EN.	DECAL, ATTACHMENT TYPE, EN.	1					
7	Y0650060	ETİKET, ANTİFİRİZ, EN.	DECAL, ANTIFREEZE, EN.	1					
8	Y0650032	ETİKET, SİGORTA-RÖLE TABLASI, EN.	DECAL, FUSE-RELAY BOARD, EN.	1					
9	Y0650056	ETİKET, YAKIT UYARI, EN.	DECAL,WARNING, FUEL, EN.	1					
10	N130010090	PERÇİN	RIVET	2					
11	N130020295	PERÇİN	BLIND RIVET	4					
12	Y0611490	ETİKET, DÖNÜŞ KİLİT PİMİ, EN.	DECAL, BOOM SWING LOCK PIN, EN.	1	OP				
13	Y0620520	ETİKET, ŞANZİMAN YAĞ SEVİYESİ, EN.	DECAL, TRANSMISSION OIL LEVEL, EN.	1					

ETIKET VE LEVHALAR (FRANSIZCA) (2) DECAL AND PLATES (FR) (2)



TABEAU D'ENTRETIEN

QUANTITE (LITRES)	INTERVALLES DE CHANGEMENT	EAU PISTON, OPIES SOUS	EAU	SHIEL	NUMERO DES ORDRES D'ACHAT
12,5	PLUS PREMIERS 100 HEURES ET PUIS APRÈS 500, 1000, 2000, 3000 HEURES.	MANAGIS 10M-40	MOUL SOUSC	MANA 10 à 10M-40	1024 0127
16	UNE FOIS PAR AN OU 1000 HEURES.	MAN OIL 871	MOUL SOUSC	MANA 10 à 10M-40	1024 0127
8	UNE FOIS PAR AN OU 1000 HEURES.	FOU MOULTRICK	MOUL SOUSC	SPRAX SA TSM	UTTO
17	UNE FOIS PAR AN OU 1000 HEURES.	FOU MOULTRICK	MOUL SOUSC	SPRAX SA TSM	UTTO
70mm	UNE FOIS PAR AN OU 1000 HEURES.	HYDRO OIL HD 46	OTE 25	TOLLUS 52 W46	SDO VS 46
18,5	UNE FOIS PAR AN OU 1000 HEURES.	SUPER ANTELE	ANTELE MARCHE	-	BS 8080/1992
	UNE FOIS PAR AN OU 1000 HEURES.	SUPER OMBRE	MOULTRICK OPI	SOUVS 52 V250 2	MOULTRICK
	UNE FOIS PAR AN OU 1000 HEURES.	DAVUS OPI20	DAVUS 52 SPECIAL	DAVUS 52 V250 2	MOULTRICK

PRESSION D'AIR NORMALE RECOMMANDÉE (PSI)

3151	PELAS	1811	VELOS	3151	SHIMANO
1811	VELOS	1811	VELOS	1811	SHIMANO

ATTENTION :

- NE PAS NETTOYER LE MOTEUR AVEC UN PRODUIT CHIMIQUE NI AVEC UN SOLVANT INFLAMMABLE.
- NE PAS NETTOYER LE MOTEUR AVEC UN PRODUIT CHIMIQUE NI AVEC UN SOLVANT INFLAMMABLE.
- NE PAS NETTOYER LE MOTEUR AVEC UN PRODUIT CHIMIQUE NI AVEC UN SOLVANT INFLAMMABLE.
- NE PAS NETTOYER LE MOTEUR AVEC UN PRODUIT CHIMIQUE NI AVEC UN SOLVANT INFLAMMABLE.
- NE PAS NETTOYER LE MOTEUR AVEC UN PRODUIT CHIMIQUE NI AVEC UN SOLVANT INFLAMMABLE.
- NE PAS NETTOYER LE MOTEUR AVEC UN PRODUIT CHIMIQUE NI AVEC UN SOLVANT INFLAMMABLE.

1

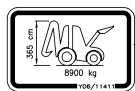
2

13

5

LE NIVEAU DE TRANSMISSION D'HUILE DOIT ETRE VERIFIE LORS DE LA MARCHÉ AU RALENTI A 1000 TOURS PAR MINUTE.

ATTENTION ! AU CAS OÙ LE SIGNAL D'ALERTE EST ALLUME, NE PAS NETTOYER LE FILTRE D'AIR FOURNISSEZ PIECE DE RECHANGE POUR LE CHANGER



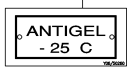
4



6

10

7



CE HIDROMEK	
MODELE/TYPE DE LA MACHINE	NUM DE SERIE DE LA MACHINE
NUM DE SERIE DU MOTEUR	NUM DE SERIE D'ESSUYOIR ARIEL
NUM DE SERIE DE SERVO DE VIERRE	NUM DE SERIE D'ESSUYOIR ARIEL
LE PISTON (O)	LAISE LE NOMBRE (O)
<input type="checkbox"/> Demandez votre matériel dans les 10 jours après l'achat de votre machine. <input type="checkbox"/> Cliquez ici pour acheter votre matériel.	

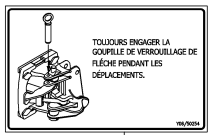
3

11

Unité de contrôle de la machine

Etat	Indicateur	Signification	Action
ALLUMÉ	Indicateur de pression d'huile	Pression d'huile insuffisante	Vérifier le niveau d'huile
ALLUMÉ	Indicateur de température d'eau	Température d'eau élevée	Vérifier le niveau d'eau
ALLUMÉ	Indicateur de température d'huile	Température d'huile élevée	Vérifier le niveau d'huile
ALLUMÉ	Indicateur de pression d'air	Pression d'air insuffisante	Vérifier la pression d'air
ALLUMÉ	Indicateur de niveau d'eau	Niveau d'eau insuffisant	Vérifier le niveau d'eau
ALLUMÉ	Indicateur de niveau d'huile	Niveau d'huile insuffisant	Vérifier le niveau d'huile
ALLUMÉ	Indicateur de niveau de carburant	Niveau de carburant insuffisant	Vérifier le niveau de carburant

8



12

AVERTISSEMENT!

CE VEHICULE A LE MOTEUR TIERS !

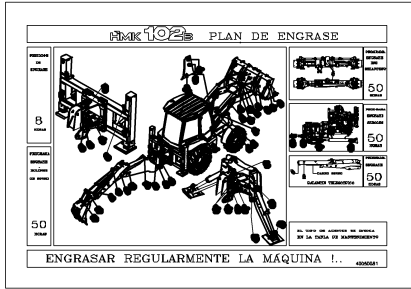
EMPLOYEZ LES CARBURANTS DIESEL DE BAS SULFURE ETANT CONFORMES A EN590 OU LES CARBURANTS DIESEL RECOMMANDÉS DANS LE MANUEL D'OPERATION ET D'ENTRETIEN. VIDANGEZ LE RESERVOIR DE CARBURANT AU MOINS UNE FOIS PAR SEMAINE. LE CARBURANT NON STANDARD OU SALE ENDOMMERA VOTRE INSTALLATION CARBURANT.

9

ETİKET VE LEVHALAR (FRANSIZCA) (2)
DECAL AND PLATES (FR) (2)

No	Parça No	Parça Adı	Description	Adet	S.K.	Bas.S.N	Bit.S.N	Y.K.	Not
No	Part no			Qty	SC	S/N from	S/N to	ICA	Note
1	40050029	ETİKET, YAĞLAMA ŞEMASI, 102B, FR	DECAL, LUBRICATION TABLE	1					
2	Y0650245	ETİKET, BAKIM TABLOSU, 102B, FR.	DECAL, MAINTENANCE TABLE, 102B, FR.	1					
3	Y0650280	İSİM PLAKASI, MAKİNE, FR.	NAME PLATE, FR.	1					
4	Y0611411	ETİKET, MAKİNA BOYUTU	DECAL, DIMENSION	1					
5	Y0650240	ETİKET, HAVA FİLTRESİ UYARI, FR.	DECAL, WARNING, AIR FILTER, FR.	1					
6	Y0650111	ETİKET, ATAŞMAN , FR.	DECAL, ATTACHMENT TYPE, FR.	1					
7	Y0650260	ETİKET, ANTİFİRİZ, FR.	DECAL, ANTIFREEZE, FR.	1					
8	Y0650226	ETİKET, SİGORTA-RÖLE TABLASI, FR.	DECAL, FUSE-RELAY BOARD, FR.	1					
9	Y0650251	ETİKET, YAKIT UYARI, FR	DECAL,WARNING, FUEL, FR.	1					
10	N130010090	PERÇİN	RIVET	2					
11	N130020295	PERÇİN	BLIND RIVET	4					
12	Y0650254	ETİKET, DÖNÜŞ KİLİT PİMİ, FR.	DECAL, BOOM SWING LOCK PIN, FR.	1					
13	Y0650175	ETİKET, ŞANZİMAN YAĞ SEVİYESİ,FR.	DECAL, TRANSMISSION OIL LEVEL, FR.	1					

ETIKET VE LEVHALAR (ES) (2) DECAL AND PLATES (ES) (2)

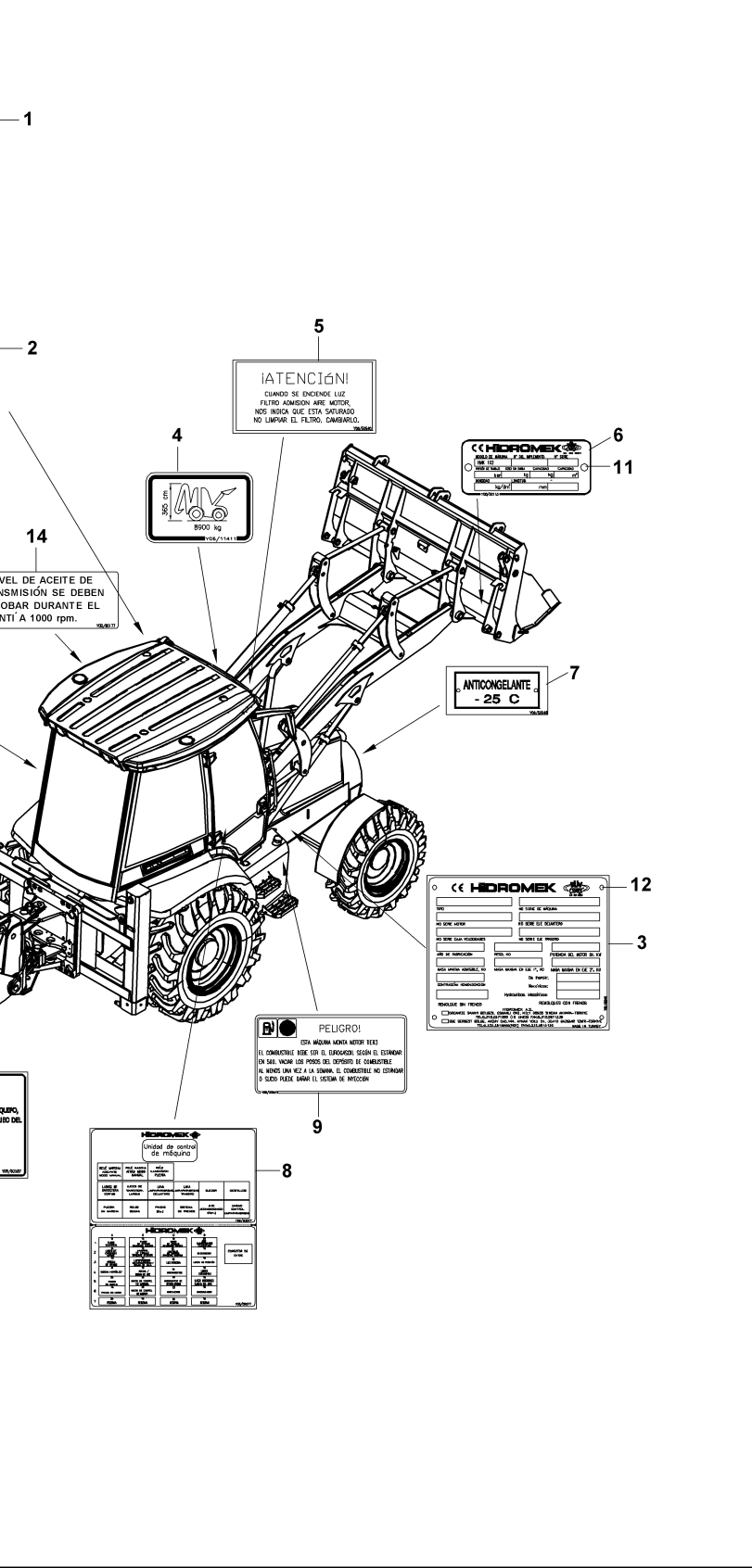
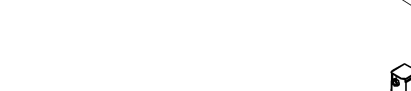
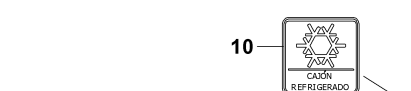


CUADRO DE MANTENIMIENTO

OPERACION	INTERVALO DE TIEMPO	UNIDAD	TIPO DE LUBRICANTE	NOTAS	SEÑAL DE REFERENCIA
PRIMERA PUESTA EN MARCHA	15 MIN	LITROS	ACEITE SAE 15W-40	ACEITE SAE 15W-40	15W-40
OPERACION NORMAL	100 HORAS	LITROS	ACEITE SAE 15W-40	ACEITE SAE 15W-40	15W-40
OPERACION EN ALTURA	100 HORAS	LITROS	ACEITE SAE 15W-40	ACEITE SAE 15W-40	15W-40
OPERACION EN BAJA	100 HORAS	LITROS	ACEITE SAE 15W-40	ACEITE SAE 15W-40	15W-40
OPERACION EN TERRENO DIFÍCIL	100 HORAS	LITROS	ACEITE SAE 15W-40	ACEITE SAE 15W-40	15W-40
OPERACION EN ALTURA	100 HORAS	LITROS	ACEITE SAE 15W-40	ACEITE SAE 15W-40	15W-40
OPERACION EN BAJA	100 HORAS	LITROS	ACEITE SAE 15W-40	ACEITE SAE 15W-40	15W-40
OPERACION EN TERRENO DIFÍCIL	100 HORAS	LITROS	ACEITE SAE 15W-40	ACEITE SAE 15W-40	15W-40
OPERACION EN ALTURA	100 HORAS	LITROS	ACEITE SAE 15W-40	ACEITE SAE 15W-40	15W-40
OPERACION EN BAJA	100 HORAS	LITROS	ACEITE SAE 15W-40	ACEITE SAE 15W-40	15W-40
OPERACION EN TERRENO DIFÍCIL	100 HORAS	LITROS	ACEITE SAE 15W-40	ACEITE SAE 15W-40	15W-40

PRECAUCIONES:

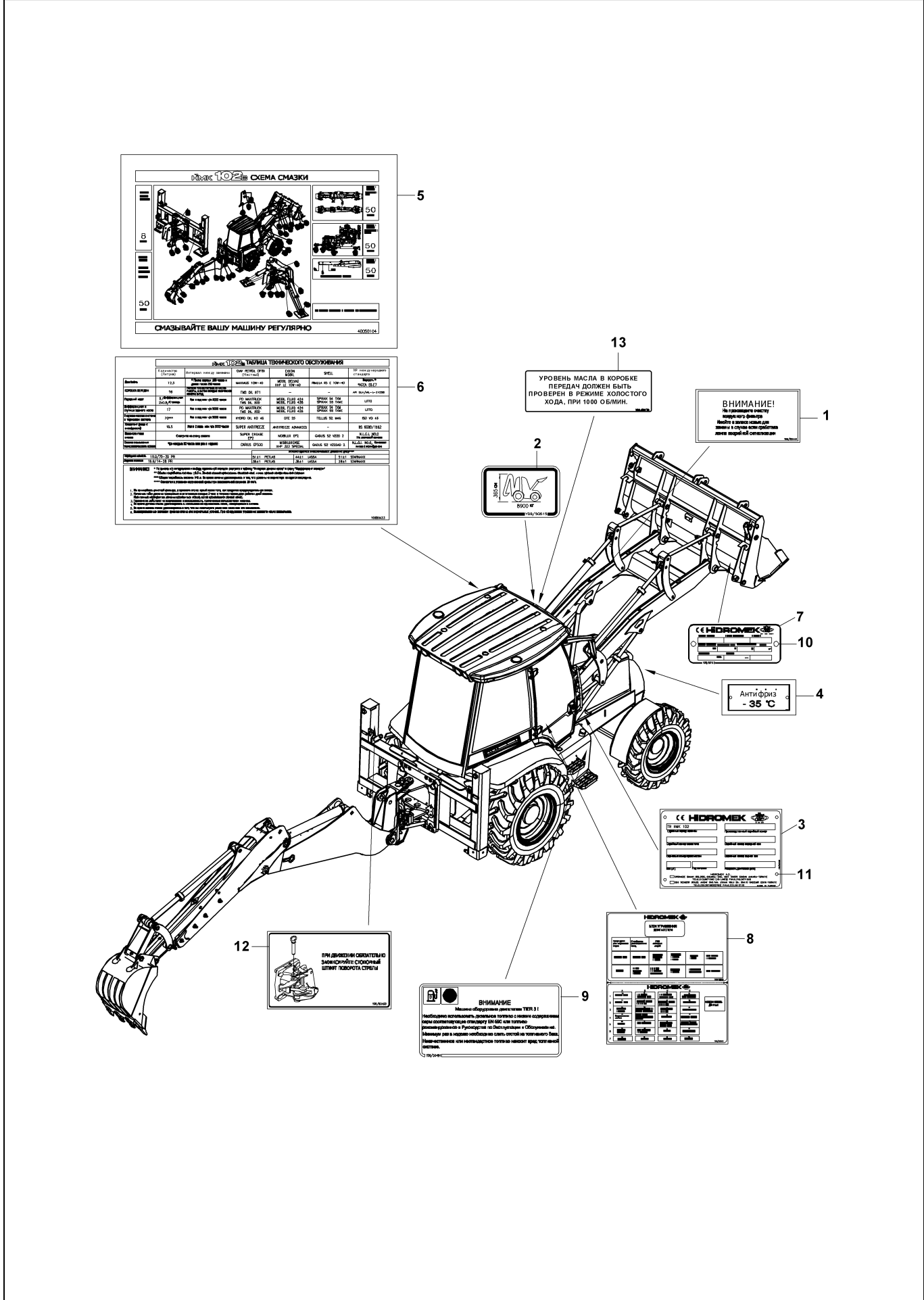
- 1. NO OPERAR EN ALTURA SIN EL USO DE LA CINTURILLA DE SEGURIDAD.
- 2. NO OPERAR EN ALTURA SIN EL USO DE LA CINTURILLA DE SEGURIDAD.
- 3. NO OPERAR EN ALTURA SIN EL USO DE LA CINTURILLA DE SEGURIDAD.
- 4. NO OPERAR EN ALTURA SIN EL USO DE LA CINTURILLA DE SEGURIDAD.
- 5. NO OPERAR EN ALTURA SIN EL USO DE LA CINTURILLA DE SEGURIDAD.
- 6. NO OPERAR EN ALTURA SIN EL USO DE LA CINTURILLA DE SEGURIDAD.



ETİKET VE LEVHALAR (ES) (2)
DECAL AND PLATES (ES) (2)

No	Parça No	Parça Adı	Description	Adet	S.K.	Bas.S.N	Bit.S.N	Y.K.	Not
No	Part no			Qty	SC	S/N from	S/N to	ICA	Note
1	40050081	ETİKET, YAĞLAMA ŞEMASI, 102B, ES. KAZAYAKLI	DECAL, LUBRICATION TABLE	1					
2	Y0650553	ETİKET, BAKIM TABLOSU, 102B, ESP.	DECAL, MAINTENANCE TABLE, 102B, ESP.	1					
3	Y0650596	İSİM PLAKASI, MAKİNE, ES.	NAME PLATE, ES.	1					
4	Y0611411	ETİKET, MAKİNA BOYUTU	DECAL, DIMENSION	1					
5	Y0650540	ETİKET, HAVA FİLTRESİ UYARI, ES.	DECAL, WARNING, AIR FILTER, ES.	1	OP.				
6	Y0650113	ETİKET, ATAŞMAN , ES.	DECAL, ATTACHMENT TYPE, ES.	1	OP.				
7	Y0650560	ETİKET, ANTİFİRİZ, ES.	DECAL, ANTIFREEZE, ES.	1					
8	Y0650577	ETİKET, SİGORTA-RÖLE TABLASI, ESP.	DECAL, FUSE-RELAY BOARD, ESP.	1					
9	Y0650551	ETİKET, YAKIT UYARI, ESP.	DECAL, WARNING, FUEL, ESP.	1					
10	Y0650545	ETİKET, SOĞUTMALI TORPİDO, ES.	DECAL, COOLED GLOVE BOX, ES.	1					
11	N130010090	PERÇİN	RIVET	2					
12	N130020295	PERÇİN	BLIND RIVET	4					
13	Y0650587	ETİKET, DÖNÜŞ KİLİT PİMİ, ES.	DECAL, BOOM SWING LOCK PIN, ES.	1					
14	Y0650177	ETİKET, ŞANZİMAN YAĞ SEVİYESİ, ES.	DECAL, TRANSMISSION OIL LEVEL, ES.	1					

ETİKET VE LEVHALAR (RUSÇA) (2) DECAL AND PLATES (RU) (2)



ETİKET VE LEVHALAR (RUSÇA) (2)
DECAL AND PLATES (RU) (2)

No	Parça No	Parça Adı	Description	Adet	S.K.	Bas.S.N	Bit.S.N	Y.K.	Not
No	Part no			Qty	SC	S/N from	S/N to	ICA	Note
1	Y0650440	ETİKET, HAVA FİLTRESİ UYARI, RU.	DECAL, WARNING, AIR FILTER, RU.	1					
2	Y0650515	ETİKET, MAKİNA BOYUTU	DECAL, DIMENSION	1					
3	Y0650402	ETİKET, İSİM PLAKASI, MAKİNE, RU.	DECAL, NAME PLATE, RU.	1					
4	Y0650432	ETİKET, ANTİFİRİZ, RU.	DECAL, ANTIFREEZE, RU.	1					
5	40050104	ETİKET, YAĞLAMA ŞEMASI, 102B, RUS.	DECAL, LUBRICATION TABLE	1					
6	Y0650433	ETİKET, BAKIM TABLOSU, 102B, RUS.	DECAL, MAINTENANCE TABLE, 102B, RUS.	1					
7	Y0650112	ETİKET, ATAŞMAN , RU.	DECAL, ATTACHMENT TYPE, RU.	1					
8	Y0650023	ETİKET, SİGORTA-RÖLE TABLASI, RUS.	DECAL, FUSE-RELAY BOARD, RUS.	1					
9	Y0650491	ETİKET, YAKIT UYARI, RUS.	DECAL,WARNING, FUEL, RUS.	1					
10	N130010090	PERÇİN	RIVET	2					
11	N130020295	PERÇİN	BLIND RIVET	4					
12	Y0650493	ETİKET, DÖNÜŞ KİLİT PİMİ, RU.	DECAL, BOOM SWING LOCK PIN, RU.	1					
13	Y0650178	ETİKET, ŞANZİMAN YAĞ SEVİYESİ, RU.	DECAL, TRANSMISSION OIL LEVEL, RU.	1					

ETIQUET VE LEVHALAR (PORTEKİZCE) (2) DECAL AND PLATES (PT) (2)

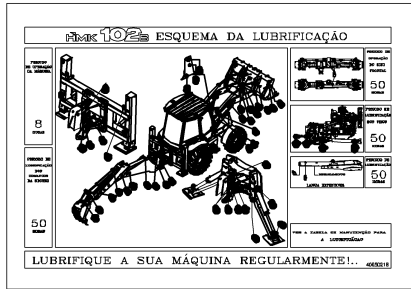
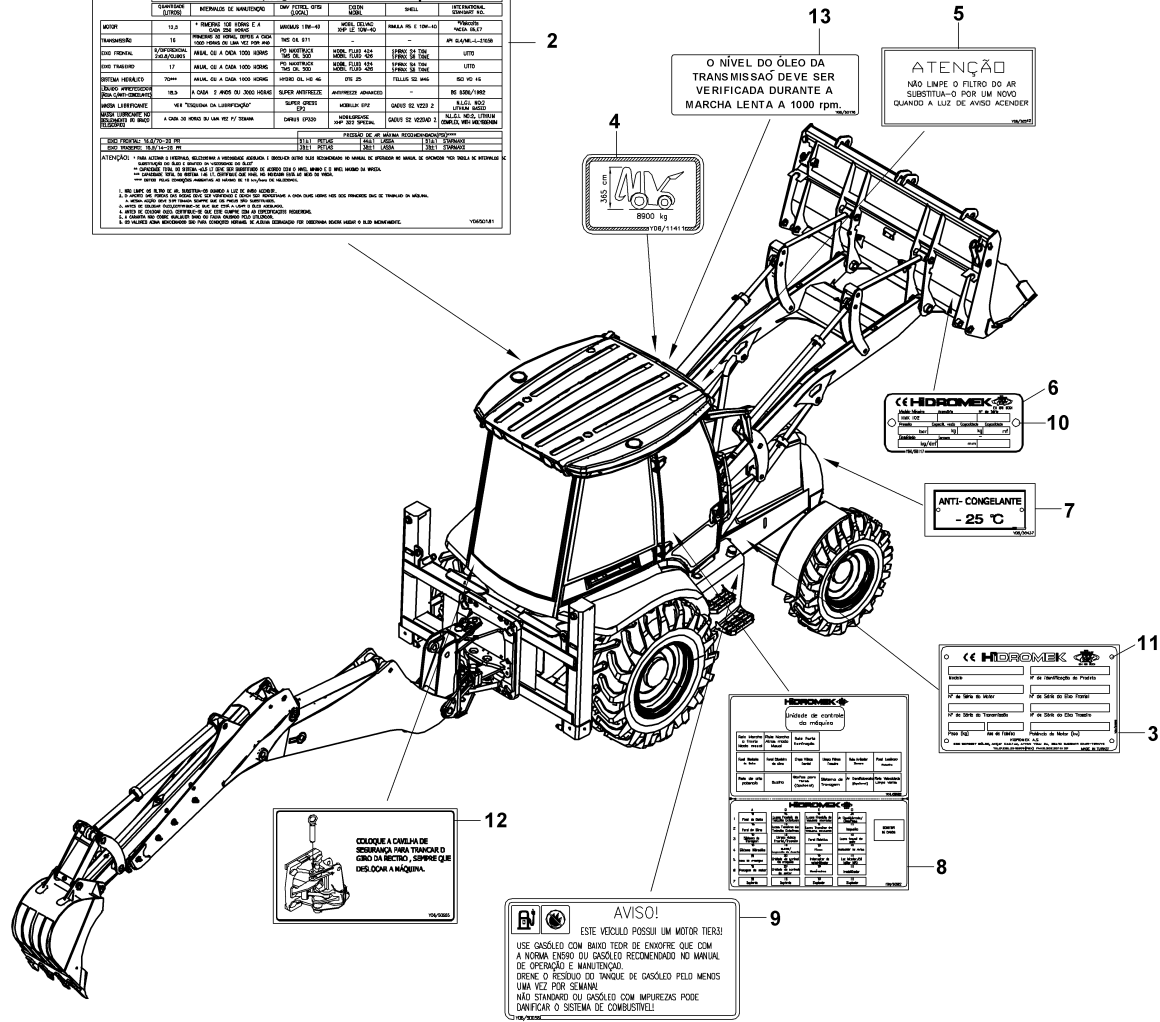


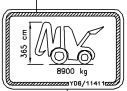
TABELA DE MANUTENÇÃO

INTERVALO DE MANUTENÇÃO	PERÍODO DE MANUTENÇÃO	OP. TÍPICA	OP. DESENVOLVIDA	OP. DESENVOLVIDA	OP. DESENVOLVIDA
DIÁRIO	12.0	1. VERIFICAR O NÍVEL DO ÓLEO E O NÍVEL DO LÍQUIDO DO FREIO	1. VERIFICAR O NÍVEL DO ÓLEO E O NÍVEL DO LÍQUIDO DO FREIO	1. VERIFICAR O NÍVEL DO ÓLEO E O NÍVEL DO LÍQUIDO DO FREIO	1. VERIFICAR O NÍVEL DO ÓLEO E O NÍVEL DO LÍQUIDO DO FREIO
SEMANAL	15	1. VERIFICAR O NÍVEL DO ÓLEO E O NÍVEL DO LÍQUIDO DO FREIO	1. VERIFICAR O NÍVEL DO ÓLEO E O NÍVEL DO LÍQUIDO DO FREIO	1. VERIFICAR O NÍVEL DO ÓLEO E O NÍVEL DO LÍQUIDO DO FREIO	1. VERIFICAR O NÍVEL DO ÓLEO E O NÍVEL DO LÍQUIDO DO FREIO
DIÁRIO	12.0	1. VERIFICAR O NÍVEL DO ÓLEO E O NÍVEL DO LÍQUIDO DO FREIO	1. VERIFICAR O NÍVEL DO ÓLEO E O NÍVEL DO LÍQUIDO DO FREIO	1. VERIFICAR O NÍVEL DO ÓLEO E O NÍVEL DO LÍQUIDO DO FREIO	1. VERIFICAR O NÍVEL DO ÓLEO E O NÍVEL DO LÍQUIDO DO FREIO
SEMANAL	15	1. VERIFICAR O NÍVEL DO ÓLEO E O NÍVEL DO LÍQUIDO DO FREIO	1. VERIFICAR O NÍVEL DO ÓLEO E O NÍVEL DO LÍQUIDO DO FREIO	1. VERIFICAR O NÍVEL DO ÓLEO E O NÍVEL DO LÍQUIDO DO FREIO	1. VERIFICAR O NÍVEL DO ÓLEO E O NÍVEL DO LÍQUIDO DO FREIO
DIÁRIO	12.0	1. VERIFICAR O NÍVEL DO ÓLEO E O NÍVEL DO LÍQUIDO DO FREIO	1. VERIFICAR O NÍVEL DO ÓLEO E O NÍVEL DO LÍQUIDO DO FREIO	1. VERIFICAR O NÍVEL DO ÓLEO E O NÍVEL DO LÍQUIDO DO FREIO	1. VERIFICAR O NÍVEL DO ÓLEO E O NÍVEL DO LÍQUIDO DO FREIO
SEMANAL	15	1. VERIFICAR O NÍVEL DO ÓLEO E O NÍVEL DO LÍQUIDO DO FREIO	1. VERIFICAR O NÍVEL DO ÓLEO E O NÍVEL DO LÍQUIDO DO FREIO	1. VERIFICAR O NÍVEL DO ÓLEO E O NÍVEL DO LÍQUIDO DO FREIO	1. VERIFICAR O NÍVEL DO ÓLEO E O NÍVEL DO LÍQUIDO DO FREIO
DIÁRIO	12.0	1. VERIFICAR O NÍVEL DO ÓLEO E O NÍVEL DO LÍQUIDO DO FREIO	1. VERIFICAR O NÍVEL DO ÓLEO E O NÍVEL DO LÍQUIDO DO FREIO	1. VERIFICAR O NÍVEL DO ÓLEO E O NÍVEL DO LÍQUIDO DO FREIO	1. VERIFICAR O NÍVEL DO ÓLEO E O NÍVEL DO LÍQUIDO DO FREIO
SEMANAL	15	1. VERIFICAR O NÍVEL DO ÓLEO E O NÍVEL DO LÍQUIDO DO FREIO	1. VERIFICAR O NÍVEL DO ÓLEO E O NÍVEL DO LÍQUIDO DO FREIO	1. VERIFICAR O NÍVEL DO ÓLEO E O NÍVEL DO LÍQUIDO DO FREIO	1. VERIFICAR O NÍVEL DO ÓLEO E O NÍVEL DO LÍQUIDO DO FREIO
DIÁRIO	12.0	1. VERIFICAR O NÍVEL DO ÓLEO E O NÍVEL DO LÍQUIDO DO FREIO	1. VERIFICAR O NÍVEL DO ÓLEO E O NÍVEL DO LÍQUIDO DO FREIO	1. VERIFICAR O NÍVEL DO ÓLEO E O NÍVEL DO LÍQUIDO DO FREIO	1. VERIFICAR O NÍVEL DO ÓLEO E O NÍVEL DO LÍQUIDO DO FREIO
SEMANAL	15	1. VERIFICAR O NÍVEL DO ÓLEO E O NÍVEL DO LÍQUIDO DO FREIO	1. VERIFICAR O NÍVEL DO ÓLEO E O NÍVEL DO LÍQUIDO DO FREIO	1. VERIFICAR O NÍVEL DO ÓLEO E O NÍVEL DO LÍQUIDO DO FREIO	1. VERIFICAR O NÍVEL DO ÓLEO E O NÍVEL DO LÍQUIDO DO FREIO



O NÍVEL DO ÓLEO DA TRANSMISSÃO DEVE SER VERIFICADA DURANTE A MARCHA LENTA A 1000 rpm.

ATENÇÃO
NÃO LIMPE O FILTRO DO AR SUBSTITUA-O POR UM NOVO QUANDO A LUZ DE AVISO ACENDER



ANTI-CONGELANTE
- 25 °C

Hydromek

Nome: _____

Endereço: _____

Telefone: _____

Assinatura: _____

Data: _____

Hydromek

Plano de controle de máquina

Item	Descrição	Realizado	Próximo
1	Verificação do nível do óleo		
2	Verificação do nível do líquido do freio		
3	Verificação do nível do líquido do diferencial		
4	Verificação do nível do líquido do sistema hidráulico		
5	Verificação do nível do líquido do sistema de arrefecimento		
6	Verificação do nível do líquido do sistema de lubrificação		
7	Verificação do nível do líquido do sistema de transmissão		
8	Verificação do nível do líquido do sistema de direção		
9	Verificação do nível do líquido do sistema de suspensão		
10	Verificação do nível do líquido do sistema de freio		
11	Verificação do nível do líquido do sistema de transmissão		
12	Verificação do nível do líquido do sistema de direção		
13	Verificação do nível do líquido do sistema de suspensão		



AVISO!
ESTE VEÍCULO POSSUI UM MOTOR DIESEL!
USE GASÓLEO COM BAIXO TEOR DE ENXOFRE QUE COM A NORMA EN590 OU GASÓLEO RECOMENDADO NO MANUAL DE OPERAÇÃO E MANUTENÇÃO.
DEixe o Filtro de ENXOFRE de GASÓLEO pelo menos UMA VEZ POR SEMANA!
NÃO STANDARD DO GASÓLEO COM IMPUREZAS PODE DANIFICAR O SISTEMA DE COMBUSTÍVEL.

ETİKET VE LEVHALAR (PORTEKİZCE) (2)
DECAL AND PLATES (PT) (2)

No	Parça No	Parça Adı	Description	Adet	S.K.	Bas.S.N	Bit.S.N	Y.K.	Not
No	Part no			Qty	SC	S/N from	S/N to	ICA	Note
1	40050218	ETİKET, YAĞLAMA ŞEMASI, 102B,POR.	DECAL, LUBRICATION TABLE	1					
2	Y0650181	ETİKET, BAKIM TABLOSU, 102B, POR.	DECAL, MAINTENANCE TABLE, 102B, POR.	1					
3	Y0650006	İSİM PLAKASI, MAKİNE, PT.	NAME PLATE, PT.	1					
4	Y0611411	ETİKET, MAKİNA BOYUTU	DECAL, DIMENSION	1					
5	Y0650542	ETİKET, HAVA FİLTRESİ UYARI, PT.	DECAL, WARNING, AIR FILTER, PT.	1					
6	Y0650117	ETİKET, ATAŞMAN , PT.	DECAL, ATTACHMENT TYPE, PT.	1					
7	Y0650437	ETİKET, ANTİFİRİZ, (-25)PT.	DECAL, ANTIFREEZE, PT.	1					
8	Y0650582	ETİKET, SİGORTA-RÖLE TABLASI, POR.	DECAL, FUSE-RELAY BOARD, POR.	1					
9	Y0650058	ETİKET, YAKIT UYARI, POR.	DECAL,WARNING, FUEL, POR.	1					
10	N130010090	PERÇİN	RIVET	2					
11	N130020295	PERÇİN	BLIND RIVET	4					
12	Y0650585	ETİKET, DÖNÜŞ KİLİT PİMİ, PT.	DECAL, BOOM SWING LOCK PIN, PT.	1					
13	Y0650176	ETİKET, ŞANZİMAN YAĞ SEVİYESİ, PT.	DECAL, TRANSMISSION OIL LEVEL, PT.	1					

ETIKET VE LEVHALAR (BULGARCA) (2) DECAL AND PLATES (BG) (2)

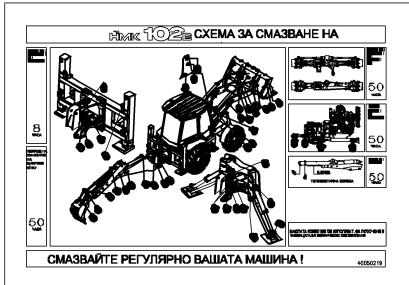
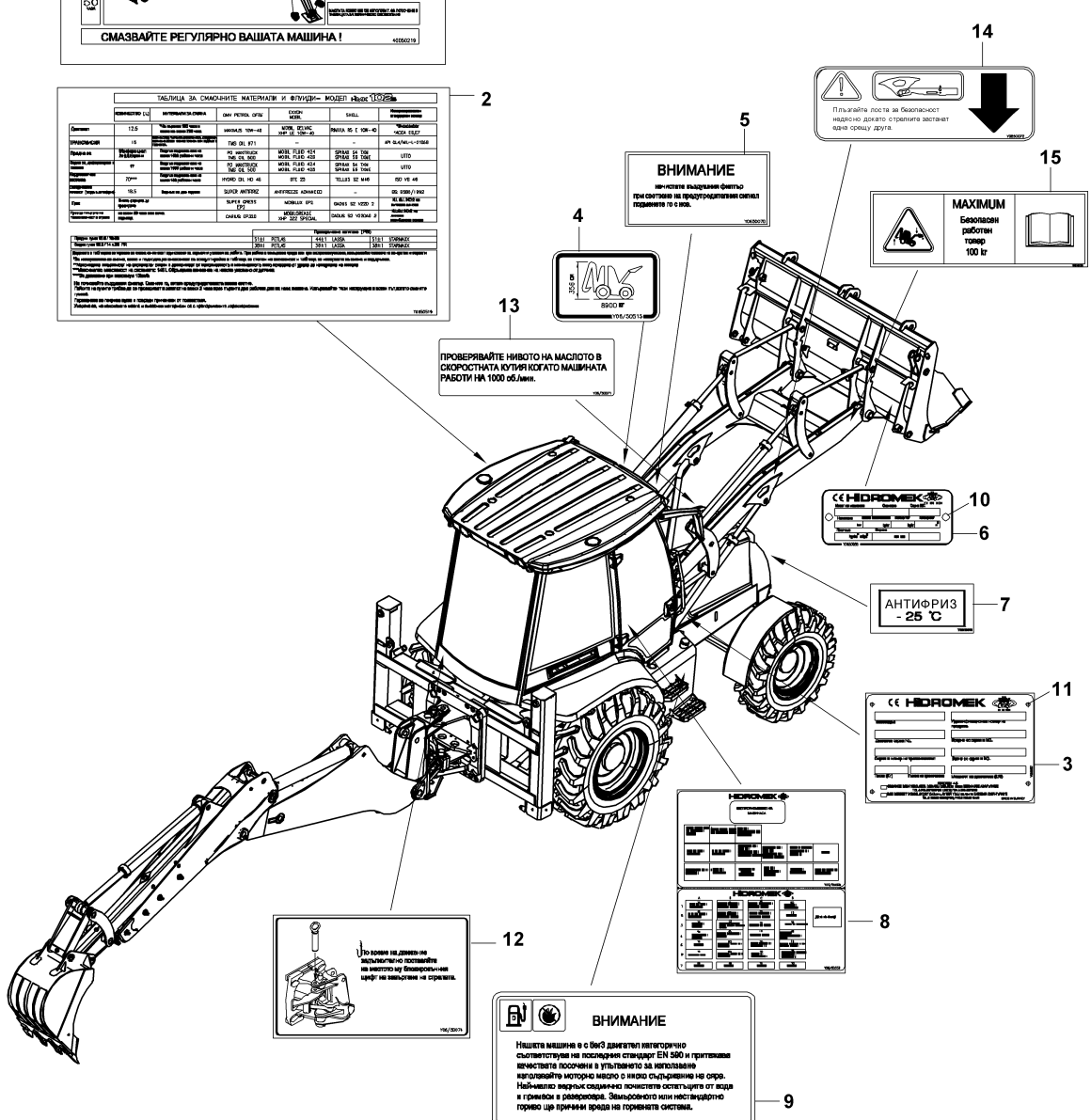


ТАБЛИЦА ЗА СМАЗНИТЕ МАТЕРИАЛИ И ВЪЛНИ - МОДЕЛ HMK 102B

КОМПОНЕНТ	ИЗПОЛЗВАН СМАЗ	СМАЗ. РЕКОМ. СЪС.	КОЛ. ЛИТРИ	СМАЗ. ВИД	СМАЗ. ВИД	СМАЗ. ВИД	СМАЗ. ВИД
Двигател	12.5	Моторно масло	100	SAE 10W-40	SAE 10W-40	SAE 10W-40	SAE 10W-40
Устройствa	10	Моторно масло	100	SAE 10W-40	SAE 10W-40	SAE 10W-40	SAE 10W-40
Хидравлическа система	10	Моторно масло	100	SAE 10W-40	SAE 10W-40	SAE 10W-40	SAE 10W-40
Система за смазване на колелата	10	Моторно масло	100	SAE 10W-40	SAE 10W-40	SAE 10W-40	SAE 10W-40
Система за смазване на трансмисията	10	Моторно масло	100	SAE 10W-40	SAE 10W-40	SAE 10W-40	SAE 10W-40



ВНИМАНИЕ
Никога не работете с машината при наличие на недостатъчно количество смазка.

14
Плъзгайте лоста за безопасност надясно докато стъпките излязват една срещу друга.

15
MAXIMUM
Безопасен работен товар 100 kg

13
ПРОВЕРЯВАЙТЕ НИВОТО НА МАСЛОТО В СКОРОСТНАТА КУТИЯ КОГАТО МАШИНАТА РАБОТИ НА 1000 об/мин.

10
6
HIDROMEK

7
АНТИФРИЗ
- 25 °C

11
3
CE HIDROMEK

8
HIDROMEK

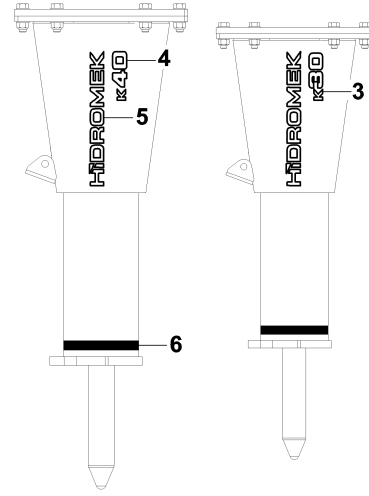
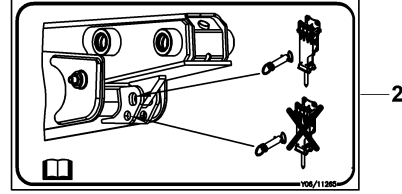
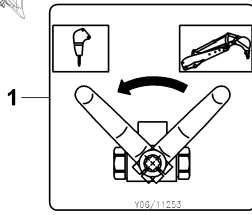
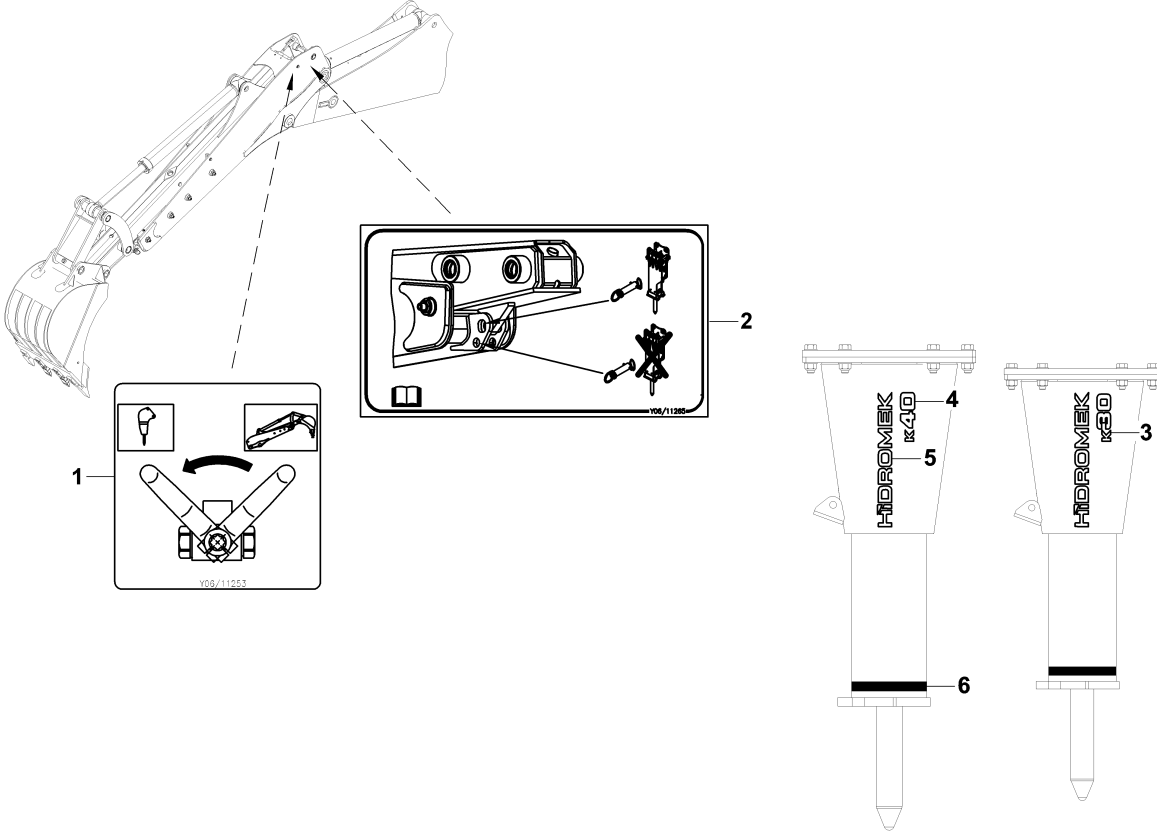
12
За да може да работи на максимално мощност, на място където работите често се изключва на скорост.

9
ВНИМАНИЕ
Нашата машина е с дизел двигател и е оборудвана с система за управление на обороти (RPM) и е предназначена за използване в условията посочени в упътването за използване на двигателя. Не използвайте машината с висока скорост на въртене в резервоара. Зависването или несъвършеното гориво ще причини вреда на горивната система.

ETİKET VE LEVHALAR (BULGARCA) (2)
DECAL AND PLATES (BG) (2)

No	Parça No	Parça Adı	Description	Adet	S.K.	Bas.S.N	Bit.S.N	Y.K.	Not
No	Part no			Qty	SC	S/N from	S/N to	ICA	Note
1	40050219	ETİKET, YAĞLAMA ŞEMASI, 102B, BUL.	DECAL, LUBRICATION TABLE	1					
2	Y0650519	ETİKET, BAKIM TABLOSU, 102B, BUL.	DECAL, MAINTENANCE TABLE, 102B, BG.	1					
3	Y0650087	İSİM PLAKASI, MAKİNE, BG.	NAME PLATE, BG.	1					
4	Y0650515	ETİKET, MAKİNA BOYUTU	DECAL, DIMENSION	1					
5	Y0650070	ETİKET, HAVA FİLTRESİ UYARI, BG.	DECAL, WARNING, AIR FILTER, BG.	1					
6	Y0650088	ETİKET, ATAŞMAN , BG.	DECAL, ATTACHMENT TYPE, BG.	1					
7	Y0650095	ETİKET, ANTİFİRİZ, BG..	DECAL, ANTIFREEZE, BG.	1					
8	Y0650038	ETİKET, SİGORTA-RÖLE TABLASI, BUL.	DECAL, FUSE-RELAY BOARD, BG.	1					
9	Y0650073	ETİKET, YAKIT UYARI, BUL.	DECAL,WARNING, FUEL, BG.	1					
10	N130010090	PERÇİN	RIVET	2					
11	N130020295	PERÇİN	BLIND RIVET	4					
12	Y0650074	ETİKET, DÖNÜŞ KİLİT PİMİ, BG.	DECAL, BOOM SWING LOCK PIN, BG.	1					
13	Y0650071	ETİKET, ŞANZİMAN YAĞ SEVİYESİ, BG.	DECAL, TRANSMISSION OIL LEVEL, BG.	1					
14	Y0650072	ETİKET, EMNİYET DEMİRİ,BG.	DECAL, SAFETY STRUT,BG.	1					
15	Y0650296	ETİKET, AZAMI YÜK, BG.	DECAL, MAX. LIFTING, BG.	1					

ETİKET VE LEVHALAR, KIRICI DECAL AND PLATES, BREAKER



HIDROMEK HIDROMEK HİDROLİK KIRICI		HIDROMEK HIDROMEK HYDRAULIC BREAKER	
TYPE:	HKR 360	TYPE:	HKR 360
SERİ NO:		SERIAL NUMBER:	
TOTAL BİRACIYI AĞIRLIĞI:	434 KG	TOTAL BREAKER WEIGHT:	434 KG
ÇALIŞMA DERİSİ:	40-65 L/D38	OPERATING FLOW RATE:	40-65 L/D38
MAX. ÇALIŞMA BASINCI:	100-145 BAR	MAX. OPERATING PRESSURE:	100-145 BAR
MAX. DÖNÜŞÜŞ BASINCI:	15 BAR	MAX. RETURN PRESSURE:	15 BAR
EMNİYET VALFİ SEZDİRİŞİ MIN/MAX:	120-170 BAR	PRESSURE RELIEF VALVE MIN/MAX:	120-170 BAR
HAVA DOLULUĞUNA BASINCI:	3,5 - 4,5 BAR	AIR PRESSURE:	3,5 - 4,5 BAR
YÜK YERİNE AKÜMÜLATÖR BASINCI:	1,5 BAR	HIGH PRESSURE ACCUMULATOR:	1,5 BAR
ALTI AKÜMÜLATÖR BASINCI:	60 BAR	LOW PRESSURE ACCUMULATOR:	60 BAR
MAKİNE AĞIRLIĞI:	TON	MACHINE WEIGHT:	TON

HIDROMEK HIDROMEK HİDROLİK KIRICI		HIDROMEK HIDROMEK HYDRAULIC BREAKER	
TYPE:	HKR 360	TYPE:	HKR 360
SERİ NO:		SERIAL NUMBER:	
TOTAL BİRACIYI AĞIRLIĞI:	434 KG	TOTAL BREAKER WEIGHT:	434 KG
ÇALIŞMA DERİSİ:	40-65 L/D38	OPERATING FLOW RATE:	40-65 L/D38
MAX. ÇALIŞMA BASINCI:	100-145 BAR	MAX. OPERATING PRESSURE:	100-145 BAR
MAX. DÖNÜŞÜŞ BASINCI:	15 BAR	MAX. RETURN PRESSURE:	15 BAR
EMNİYET VALFİ SEZDİRİŞİ MIN/MAX:	120-170 BAR	PRESSURE RELIEF VALVE MIN/MAX:	120-170 BAR
HAVA DOLULUĞUNA BASINCI:	3,5 - 4,5 BAR	AIR PRESSURE:	3,5 - 4,5 BAR
YÜK YERİNE AKÜMÜLATÖR BASINCI:	1,5 BAR	HIGH PRESSURE ACCUMULATOR:	1,5 BAR
ALTI AKÜMÜLATÖR BASINCI:	60 BAR	LOW PRESSURE ACCUMULATOR:	60 BAR
MAKİNE AĞIRLIĞI:	TON	MACHINE WEIGHT:	TON

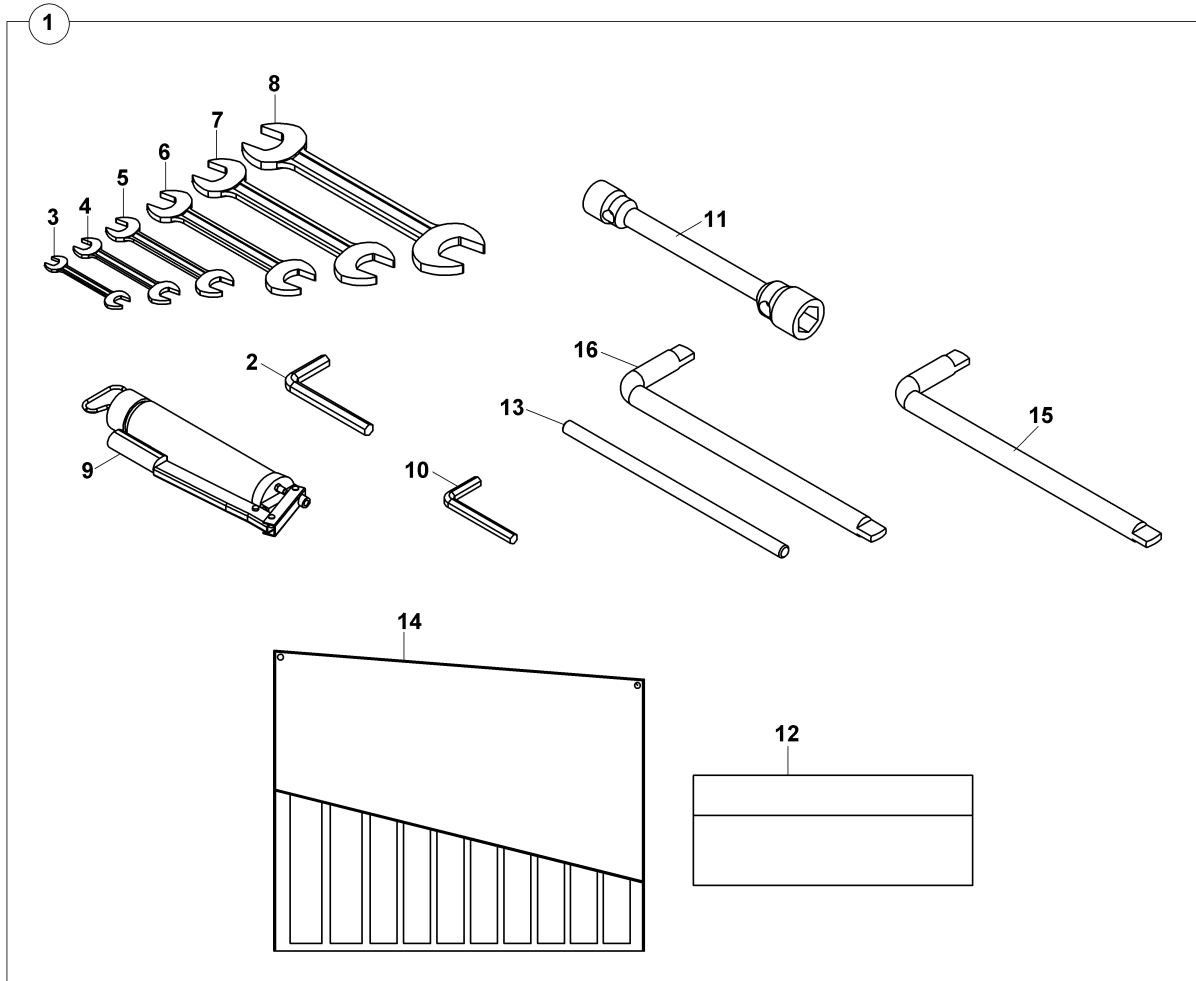
HKR 140 9

HKR 360 10

**ETİKET VE LEVHALAR, KIRICI
DECAL AND PLATES, BREAKER**

No	Parça No	Parça Adı	Adet	S.K.	Bas.S.N	Bit.S.N	Y.K.	Not
No	Part no	Description	Qty	SC	S/N from	S/N to	ICA	Note
1	Y0611253	ETİKET, KIRICI VANASI FONKSİYONU	1					
2	Y0611265	ETİKET, TB - (KIRICI/BURGU) KULLANIMI	1					
3	Y0611311	ETİKET, K30 MONTABERT	1					
4	Y0611312	ETİKET, K40 MONTABERT	1					
5	Y0611306	ETİKET, HİDROMEK	1					
7	Y0611331	ETİKET, YAĞLAMA İKAZ	1					
8	Y0621552	ETİKET, KIRICI , TR	1					
8	Y0650127	ETİKET, KIRICI , EN.	1					
9	Y0611263	ETİKET, KIRICI	1					
10	Y0611262	ETİKET, KIRICI	1					

AVADANLIK TAKIMI TOOL KIT



AVADANLIK TAKIMI TOOL KIT

No	Parça No	Parça Adı	Adet	S.K.	Bas.S.N	Bit.S.N	Y.K.	Not
No	Part no	Description	Qty	SC	S/N from	S/N to	ICA	Note
0	01756006	AVADANLIK TAKIMI KOMPLESİ	1					
1	Y1200312	AVADANLIK TAKIMI	1					
2	Y0801027	ALYAN ANAHTAR, L, 14 mm.	1					
3	Y0801212	AÇIKAĞIZLI ANAHTAR, 12-13	1					
4	Y0801216	AÇIKAĞIZLI ANAHTAR, 16-17	1					
5	Y0801218	AÇIKAĞIZLI ANAHTAR, 18-19	1					
6	Y0801224	AÇIKAĞIZLI ANAHTAR, 24-27	1					
7	Y0801230	AÇIKAĞIZLI ANAHTAR, 30-32	1					
8	Y0801236	AÇIKAĞIZLI ANAHTAR, 36-41	1					
9	Y0899120	GRES POMPASI, HORTUM UÇLU, 500 cl.	1					
10	Y0801019	ALYAN ANAHTAR, L, 10 mm.	1					
11	Y0801826	BİJON ANAHTARI, HMK 28-30, KOLSUZ	1					
12	Y0816113	ALET ÇANTASI	1					
13	Y0801852	BİJON ANAHTARI KOLU	1					
14	Y0816112	ALET ÇANTASI	1					
15	Y1203480	L KOL ANAHTAR	1					
16	Y1203482	L KOL ANAHTAR	1					
17	IG1018	TULUM	1					
18	Y0820001	ANAHTARLIK	1					

Z - MOTOR PARÇALARI

Z - ENGINE PARTS

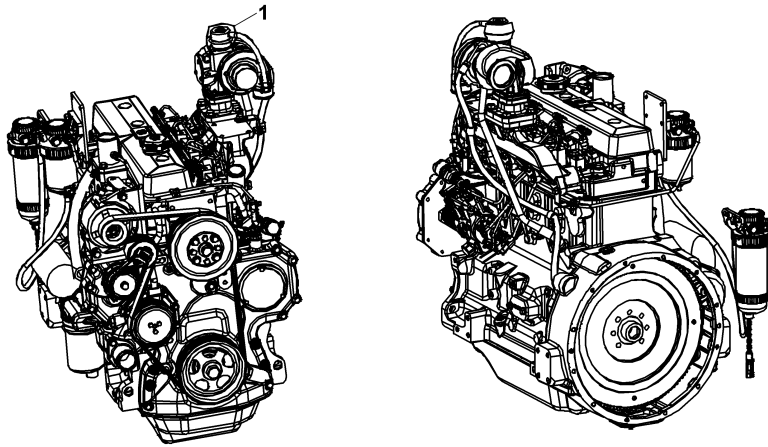
Sayfa No / Page No	Sayfa Adı	Page Name	Revizyon / Revision
Z010.04.01	MOTOR (JD)	ENGINE	
Z020.04.01	KÜLBÜTÖR KAPAĞI	VALVE COVER	
Z020.04.02	SİLİNDİR KAPAĞI	CYLINDER HEAD AND GASKET	
Z020.04.03	CIVATA- SİLİNDİR KAPAĞI	SCREW- CYLINDER HEAD	
Z020.04.04	SİLİNDİR BLOĞU, KRANK MİLİ ANA YATAĞI VE KAM MİLİ	CYLINDER BLOCK, MAIN BEARINGS CAPS AND CAMSHAFT	
Z020.04.05	KRANK MİLİ VE ANA YATAĞI	CRANKSHAFT AND MAIN BEARINGS	
Z020.04.06	PİSTON, BİYEL KOLU, SİLİNDİR GÖMLEĞİ	PISTON, CONNECTING ROD, CYLINDER LINER	
Z020.04.07	KÜLBÜTÖR KOLU, KÜLBÜTÖR MİLİ VE SUBAP İTECEĞİ	ROCKER ARM, ROCKER ARM SHAFT AND CAM FOLLOWER	
Z020.04.08	ZAMANLAMA DİŞLİLERİ KAPAĞI, SU DEVİRDİM POMPASI VE ALT AVARE DİŞLİ	TIMING GEAR COVER, WATER PUMP AND CRANKSHAFT LOWER IDLER GEAR	
Z020.04.09	ÖN ROLANTİ DİŞLİ SİSTEMİ (ALT VE ÜST)	FRONT PLATE AND IDLE GEARS (UPPER AND LOWER)	
Z020.04.10	VOLAN MUHAFAZASI	FLYWEEL HOUSING	
Z020.04.11	VOLAN	FLYWEEL	
Z020.04.12	KRANK MİLİ KASNAĞI	CRANKSHAFT PULLEY	
Z020.04.13	YARDIMCI KASNAK	CRANKSHAFT PULLEY	
Z020.04.14	YARDIMCI KASNAK KAPAĞI	CRANKSHAFT PULLEY	
Z020.04.15	KAYIŞ GERDİRİCİ	CRANKSHAFT PULLEY	
Z020.04.16	DENGELEME ŞAFTI	BALANCER SHAFT	
Z020.04.17	MOTOR CONTA, KİTİ	BALANCER SHAFT	
Z020.04.18	CONTA KİTİ- SİLİNDİR KAPAĞI/ YAĞ KARTERİ	BALANCER SHAFT	
Z020.04.19	CONTA KİTİ- SİLİNDİR KAPAĞI	BALANCER SHAFT	
Z030.04.01	YAĞ KARTERİ	OIL PAN	
Z030.04.02	YAĞ DOLDURMA BORUSU- SAĞ TARAF	OIL FILLER NECK- RIGHT HAND SIDE	
Z030.04.03	YAĞ KONTROL ÇUBUĞU VE BORUSU	ENGINE OIL DIPSTICK	
Z030.04.04	YAĞ POMPASI	OIL PUMP	
Z030.04.05	YAĞ SOĞUTUCU	OIL COOLER	
Z030.04.06	HAVALANDIRMA SİSTEMİ	VENTILATING SYSTEM	
Z030.04.07	YAĞ FİLTRESİ VE FİLTRE KAFASI	OIL FILTER AND FILTER HEAD	
Z040.04.01	FAN KASNAĞI	FAN PULLEY	
Z040.04.02	FAN TAHRİKİ	FAN DRIVE	
Z040.04.03	FAN KAYIŞI	FAN BELT	
Z040.04.04	TERMOSTAT KAPAĞI	THERMOSTAT COVER	
Z040.04.05	TERMOSTAT	THERMOSTAT	

Z - MOTOR PARÇALARI

Z - ENGINE PARTS

Sayfa No / Page No	Sayfa Adı	Page Name	Revizyon / Revision
Z040.04.06	SU POMPASI EMİŞ BORUSU	WATER PUMP INLET	
Z040.04.07	SU POMPASI KASNAĞI	WATER PUMP PULLEY	
Z050.04.01	YAKIT PÜSKÜRTME POMPASI	FUEL INJECTION PUMP	
Z050.04.02	ÖN YAKIT FİLTRESİ	PRIMARY FUEL FILTER	
Z050.04.03	ANA YAKIT FİLTRESİ	FINAL FUEL FILTER	
Z050.04.04	YAKIT TRANSFER POMPASI	FUEL TRANSFER PUMP	
Z060.04.01	YAĞ BASINÇ MÜŞÜRÜ	OIL PRESSURE SWITCH	
Z060.04.02	SU HARARET MÜŞÜRÜ	TEMPERATURE SWITCH	
Z060.04.03	MARŞ MOTORU	STARTING MOTOR	
Z060.04.04	ALTERNATÖR	ALTERNATOR	
Z060.04.05	ALTERNATÖR BAĞLANTILARI	ALTERNATOR BRACKETS	
Z060.04.06	MOTOR SOĞUTMA SIVISI ISITICISI	ENGINE COOLANT HEATER	
Z060.04.07	HAVA ÖN ISITMA KİTİ	COLD WEATHER STARTING AIDS	
Z060.04.08	DEVİR SENSÖRÜ BAĞLANTISI	ELECTRONIC TACH DRIVE	
Z070.04.01	TÜRBOŞARJ VE YAĞ BORULARI	TURBOCHARGER AND OIL LINES	
Z070.04.02	EGSOZ MANİFOLDU	EXHAUST MANIFOLD	
Z070.04.03	EMME MANİFOLDU	INTAKE MANIFOLD	

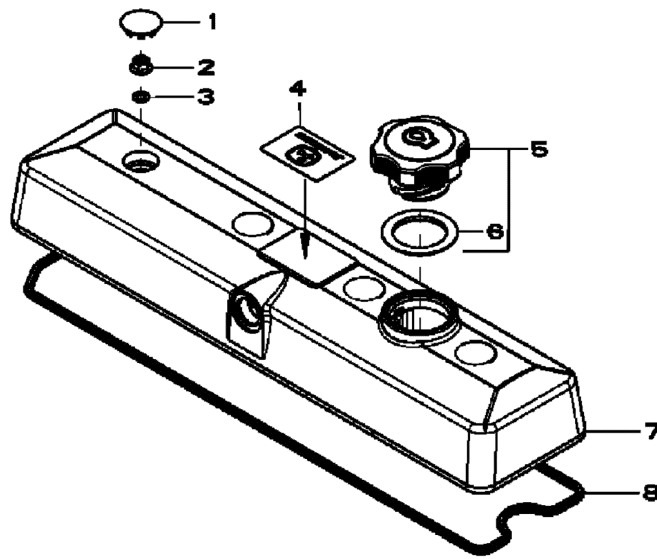
**MOTOR (JD)
ENGINE**



**MOTOR (JD)
ENGINE**

No	Parça No	Parça Adı	Adet	S.K.	Bas.S.N	Bit.S.N	Y.K.	Not
No	Part no	Description	Qty	SC	S/N from	S/N to	ICA	Note
1	F0122117	MOTOR	1					C
		ENGINE						

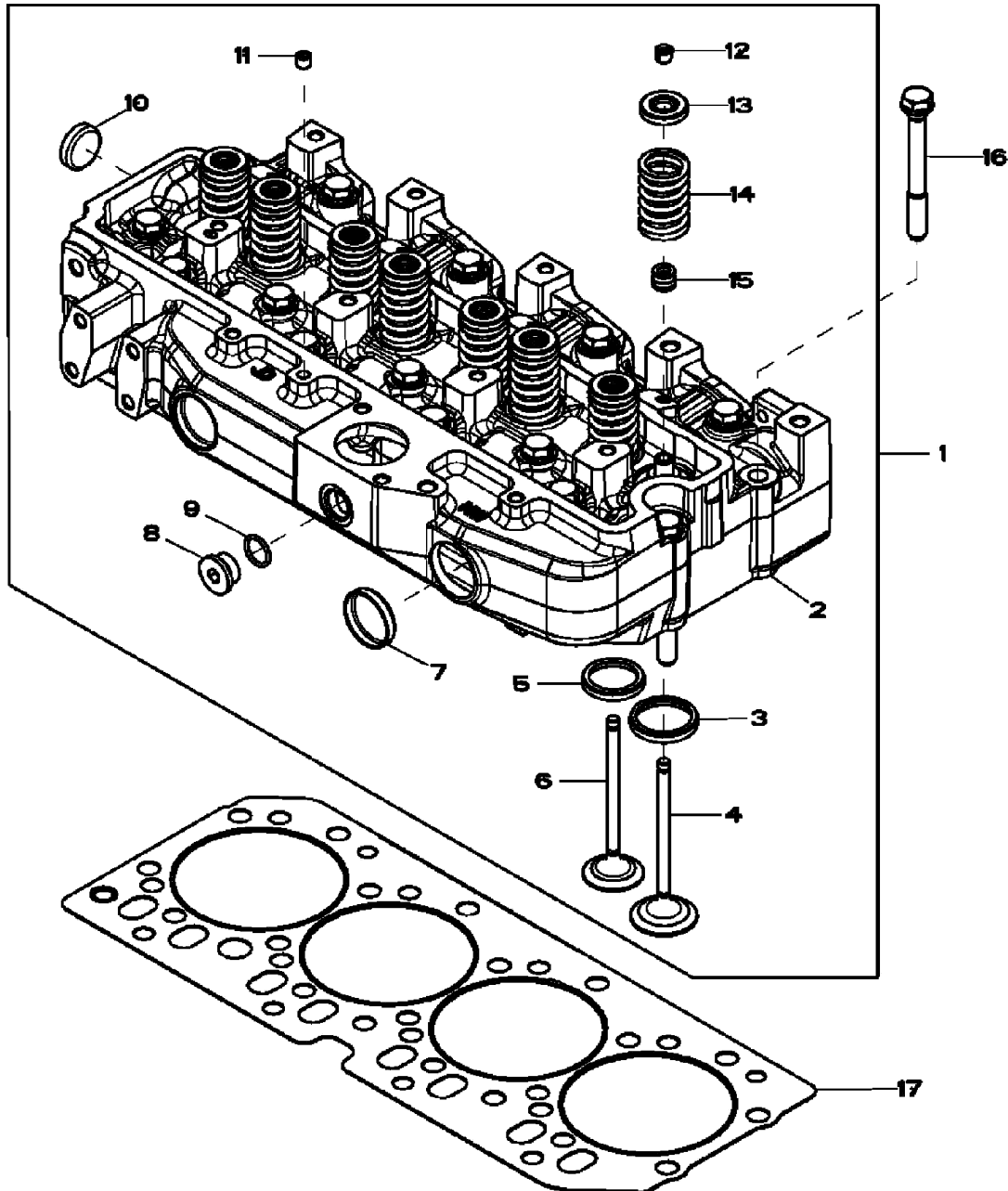
KÜLBÜTÖR KAPAĞI
VALVE COVER



**KÜLBÜTÖR KAPAĞI
VALVE COVER**

No	Parça No	Parça Adı	Adet	S.K.	Bas.S.N	Bit.S.N	Y.K.	Not
No	Part no	Description	Qty	SC	S/N from	S/N to	ICA	Note
1	F0182184	TAPA	4					
2	F0182268	SOMUN	4					
3	F0182270	O-RİNG	4					
4		ETİKET	1					
5	F0182564	YAĞ DOLDURMA KAPAĞI	1					
6	F0182364	KEÇE	1					
7	F0182612	VALF KAPAĞI	1					
8	F0182398	CONTA	1					

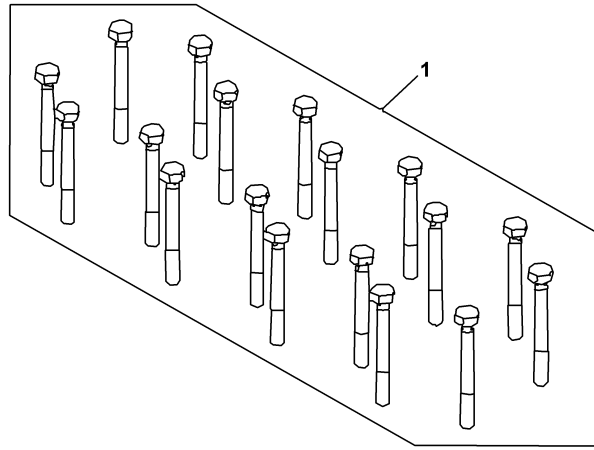
SİLİNDİR KAPAĞI CYLINDER HEAD AND GASKET



SİLİNDİR KAPAĞI
CYLINDER HEAD AND GASKET

No	Parça No	Parça Adı	Description	Adet	S.K.	Bas.S.N	Bit.S.N	Y.K.	Not
No	Part no			Qty	SC	S/N from	S/N to	ICA	Note
1	F0182550	SİLİNDİR KAPAĞI	CYLINDER HEAD	1					
3	F0182196	SUBAP BAGASI	VALVE SEAT INSERT	4					
4	F0182450	SUBAP	INTAGE VALVE	4					
4	F0182442	SUBAP	INTAGE VALVE						
4	F0182444	SUBAP	INTAGE VALVE						
5	F0182194	SUBAP BAGASI	VALVE SEAT INSERT	4					
6	F0182432	SUBAP, EGSOZ	EXHAUST VALVE	4					
6	F0182446	SUBAP, EGSOZ	EXHAUST VALVE						
6	F0182448	SUBAP, EGSOZ	EXHAUST VALVE						
7	F0182330	TAPA	PLUG	2					
8	F0182636	NİPEL	FITTING	1					
9	F0182324	O-RING	O-RING	1					
10	F0182180	TAPA	PLUG	1					
11	F0182614	TAPA	PLUG						
12	F0182436	TUTUCU	RETAINER	16					
13	F0182582	YAY TUTUCU	ROTATOR	8					
14	F0182320	YAY	SPRING	8					
15	F0182456	KEÇE	SEAL	8					
16	F0182428	CİVATA	CAP SCREW	18					
17	F0182216	CONTA, SİLİNDİR KAPAĞI	ENGINE CYLINDER HEAD GASKET	1					

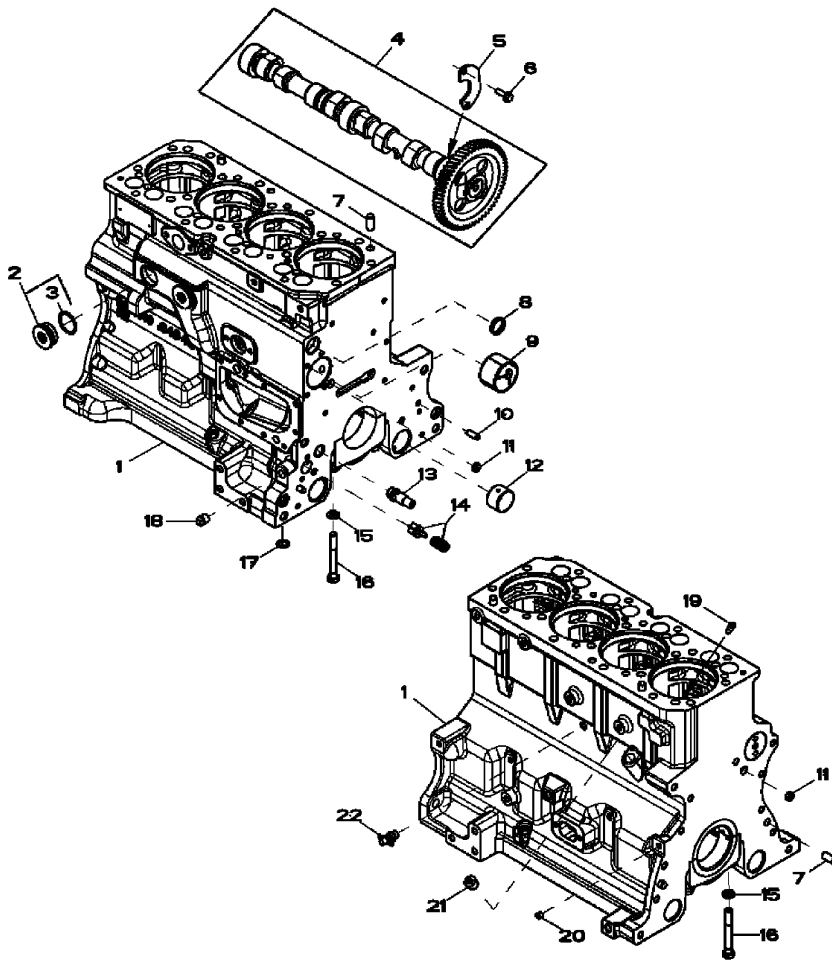
CIVATA- SİLİNDİR KAPAĞI
SCREW- CYLINDER HEAD



CıVATA- SİLİNDİR KAPAĐI
SCREW- CYLINDER HEAD

No	Parça No	Parça Adı	Description	Adet	S.K.	Bas.S.N	Bit.S.N	Y.K.	Not
No	Part no			Qty	SC	S/N from	S/N to	ICA	Note
1	S0643542	CONTA KİTİ	GASKET KIT	1					

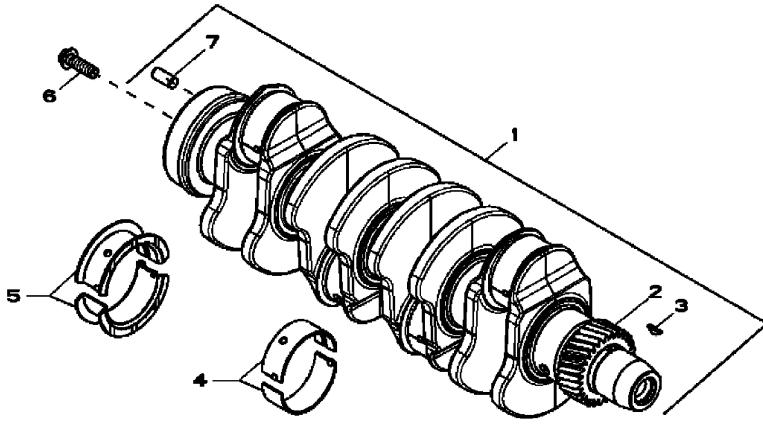
SİLİNDİR BLOĞU, KRANK MİLİ ANA YATAĞI VE KAM MİLİ CYLINDER BLOCK, MAIN BEARINGS CAPS AND CAMSHAFT



**SİLİNDİR BLOĞU, KRANK MİLİ ANA YATAĞI VE KAM MİLİ
CYLINDER BLOCK, MAIN BEARINGS CAPS AND CAMSHAFT**

No	Parça No	Parça Adı		Adet	S.K.	Bas.S.N	Bit.S.N	Y.K.	Not
No	Part no	Description		Qty	SC	S/N from	S/N to	ICA	Note
1	F0182501	SİLİNDİR BLOĞU	CYLINDER BLOCK	1					
2	F0182508	NİPEL	FITTING	2					
3	F0182642	O-RİNG	ORING	1					
4	F0182552	KAM MİLİ	CAMSHAFT	1					
5	F0182294	SAC	PLATE	1					
6	F0182148	CIVATA	SCREW	2					M8x25
7	F0182332	PİM	PIN	4					
8	F0182214	TAPA	PLUG	1					
9	F0182218	BURÇ	BUSKING	1					
10	F0182322	PİM	PIN	2					
11	F0182624	TAPA	PLUG	2					
12	F0182206	BURÇ	BUSHING	6					
13	F0182496	HAVALANDIRMA VALFİ	BLEED VALVE	1					
14	F0182588	VALF	VALVE	1					
15	F0182626	PUL	WASHER	10					
16	F0182634	CIVATA	CAP SCREW	10					M8x25
17	F0182440	O-RİNG	O-RING	1					
18	F0182078	TAPA	PIPE PLUG	1					
19	F0182282	KISICI	ORIFICE	4					
20	F0182614	TAPA	PLUG	5					
21	F0182076	TAPA	PLUG	1					
22	F0182176	MUSLUK	DRAIN VALVE	1					

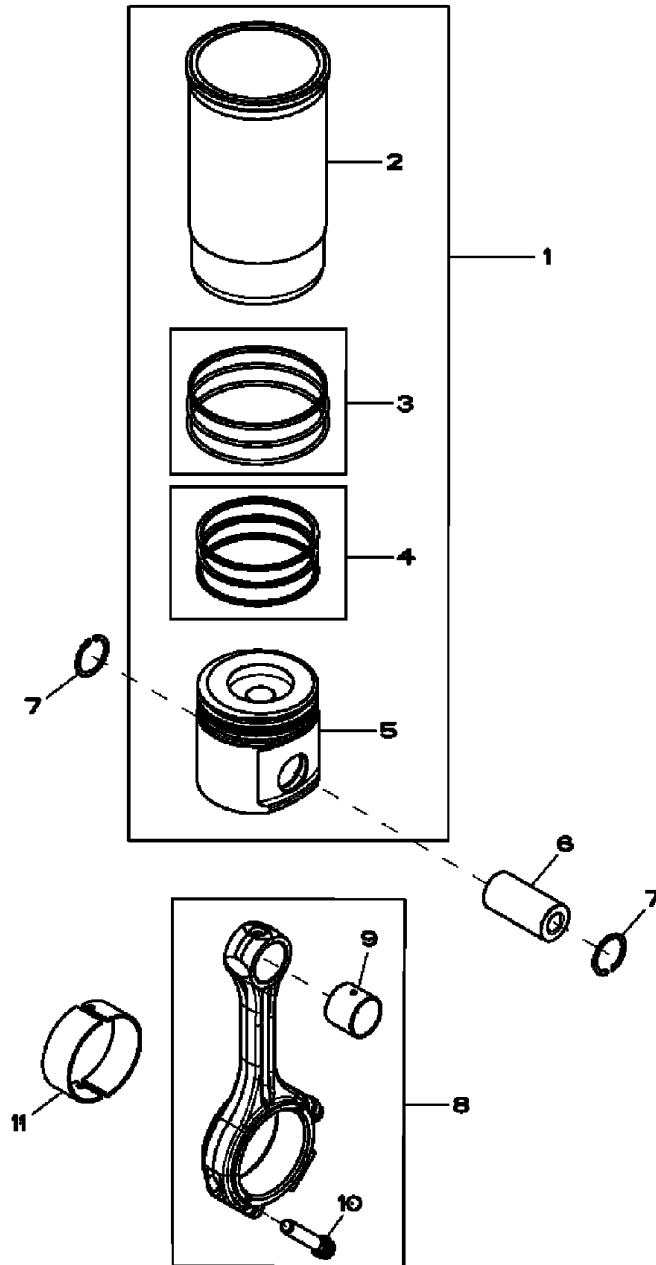
KRANK MİLİ VE ANA YATAĞI CRANKSHAFT AND MAIN BEARINGS



**KRANK MİLİ VE ANA YATAĞI
CRANKSHAFT AND MAIN BEARINGS**

No	Parça No	Parça Adı	Adet	S.K.	Bas.S.N	Bit.S.N	Y.K.	Not
No	Part no	Description	Qty	SC	S/N from	S/N to	ICA	Note
1	F0182500	KRANK MİLİ	1					
2	F0182220	DİŞLİ	1					
3	F0182378	KAMA	1					
4	F0182590	YATAK KİTİ	4					
4	F0182598	YATAK						
5	F0182592	YATAK KİTİ	1					
5	F0182600	GEZİNTİ YATAĞI						
6	F0182133	CIVATA	4					M12x38
7	F0182332	PİM	1					

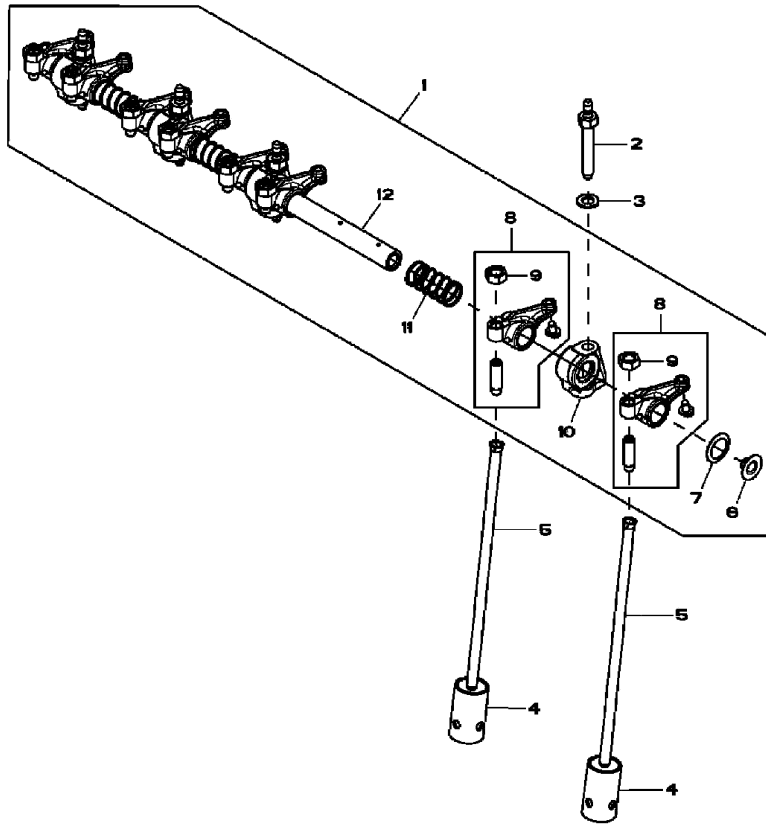
PİSTON, BİYEL KOLU, SİLİNDİR GÖMLEĞİ
PISTON, CONNECTING ROD, CYLINDER LINER



PİSTON, BİYEL KOLU, SİLİNDİR GÖMLEĞİ
PISTON, CONNECTING ROD, CYLINDER LINER

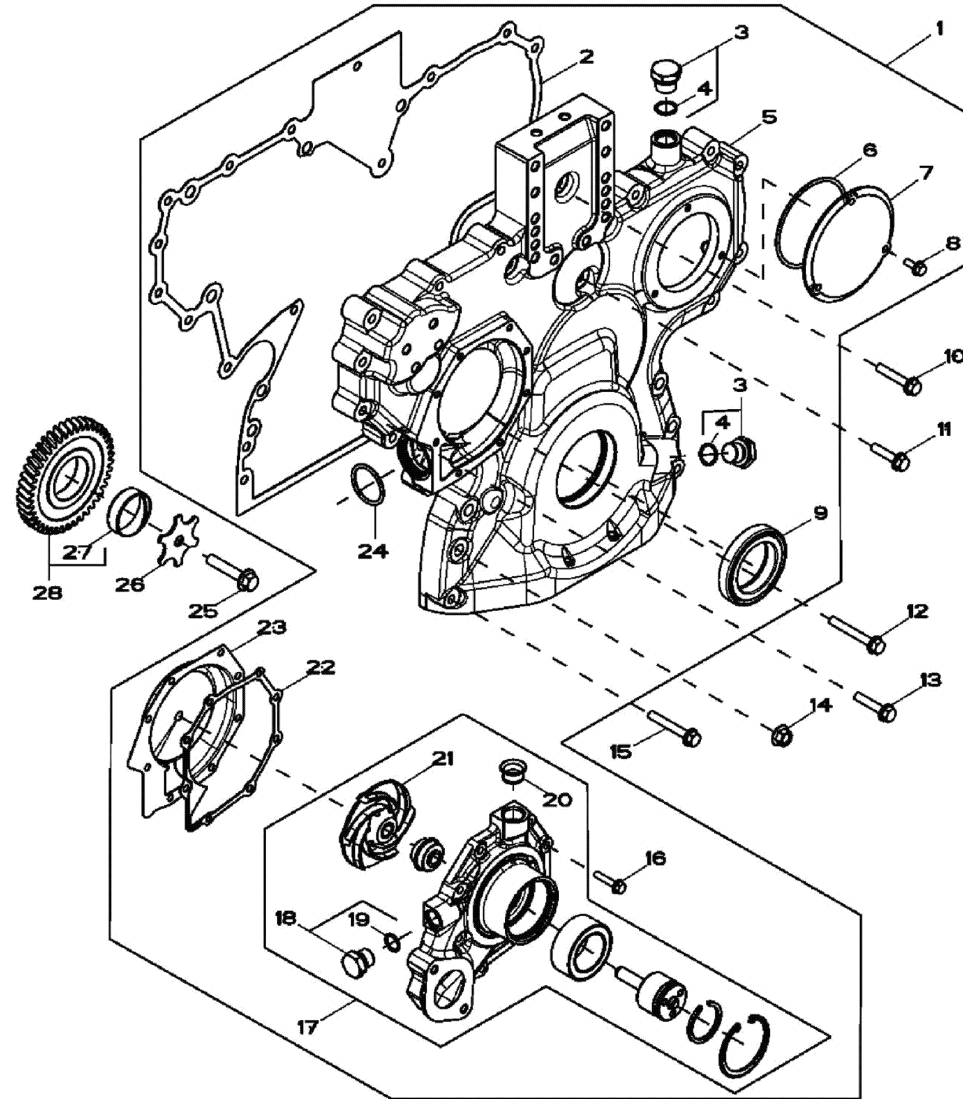
No	Parça No	Parça Adı	Adet	S.K.	Bas.S.N	Bit.S.N	Y.K.	Not
No	Part no	Description	Qty	SC	S/N from	S/N to	ICA	Note
1	F0182568	PİSTON KOMPLE	4					
2		SİLİNDİR GÖMLEĞİ	1					
3	F0182172	O-RİNG KİTİ	1					
4	F0182506	PİSTON SEGMAN TAKIMI	1					
5		PİSTON	1					
6	F0182246	PİM	4					
7	F0182188	SEGMAN	8					
8	F0182466	BİYEL KOLU	4					
9	F0182280	BURÇ	1					
10	F0182344	VİDA	2					
11	F0182594	YATAK	4					
11	F0182596	YATAK	4					

KÜLBÜTÖR KOLU, KÜLBÜTÖR MİLİ VE SUBAP İTECEĞİ
ROCKER ARM, ROCKER ARM SHAFT AND CAM FOLLOWER



**KÜLBÜTÖR KOLU, KÜLBÜTÖR MİLİ VE SUBAP İTECEĞİ
ROCKER ARM, ROCKER ARM SHAFT AND CAM FOLLOWER**

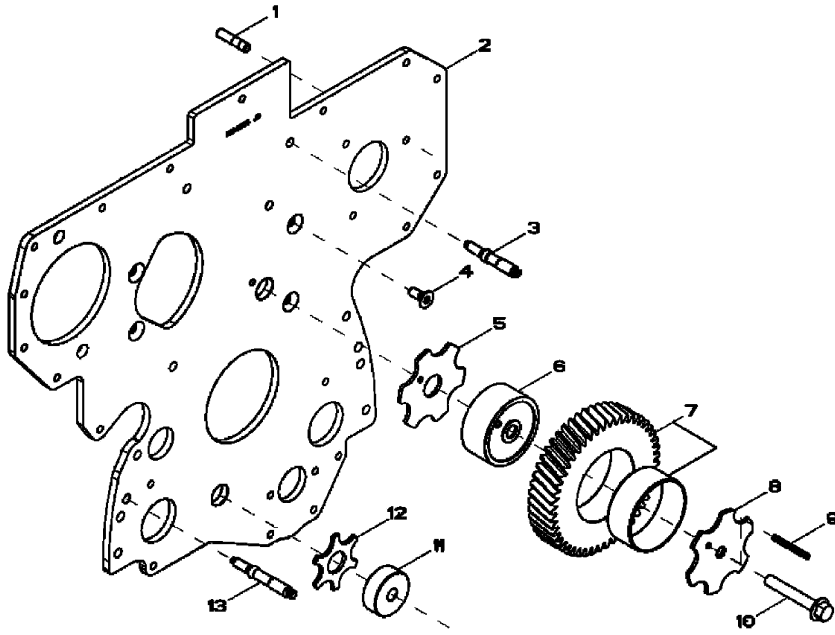
No	Parça No	Parça Adı	Adet	S.K.	Bas.S.N	Bit.S.N	Y.K.	Not
No	Part no	Description	Qty	SC	S/N from	S/N to	ICA	Note
1	F0182532	KÜLBÜTÖR, KOMPLE	1					
2	F0182250	SAPLAMA	4					
3	F0182152	PUL	4					
4	F0182266	SUBAP İTECEĞİ	8					
5	F0182198	ÇUBUK, İTME, KAM	8					
6	F0182406	TAPA	2					
7	F0182630	PUL	2					
8	F0182510	KÜLBÜTÖR KOLU	8					
9	F0182070	SOMUN	1					
10	F0182242	DESTEK	4					
11	F0182628	YAY	3					
12	F0182264	KÜLBÜTÖR MİLİ	1					

**ZAMANLAMA DİŞLİLERİ KAPAĞI, SU DEVİRDAIM POMPASI VE ALT AVARE DİŞLİ
TIMING GEAR COVER, WATER PUMP AND CRANKSHAFT LOWER IDLER GEAR**

**ZAMANLAMA DİŞLİLERİ KAPAĞI, SU DEVİRDAİM POMPASI VE ALT AVARE DİŞLİ
TIMING GEAR COVER, WATER PUMP AND CRANKSHAFT LOWER IDLER GEAR**

No	Parça No	Parça Adı	Description	Adet	S.K.	Bas.S.N	Bit.S.N	Y.K.	Not
No	Part no			Qty	SC	S/N from	S/N to	ICA	Note
1	F0182560	KAPAK ZAMANLAMA DİŞLİSİ KİTİ	KIT	1					
2	F0182390	CONTA	GASKET	1					
3	F0182526	TAPA	FITTING	1					
4	F0182166	O-RİNG	O-RING	1					
5		KAPAK	COVER	1	SOP				
6	F0182238	O-RİNG	O-RING	1					
7	F0182236	KAPAK	COVER	1					
8	F0182084	CIVATA	SCREW	3					M8x45
9	F0182524	KEÇE	SEAL KIT	1					
10	F0182608	CIVATA	SCREW M8x45	1					M8x45
11	F0182130	CIVATA	SCREW	1					M8x35
12	F0182102	VİDA	SCREW	1					M8x60
13	F0182136	CIVATA	SCREW	10					M8x40
14	F0182072	SOMUN	NUT	6					
15	F0182124	CIVATA	SCREW	2					M8x55
16	F0182098	CIVATA	SCREW	8					M6x30
17	F0182498	SU POMPASI	WATER PUMP	1					
18	F0182462	TAPA	FITTING PLUG	1					
19	F0182164	O-RİNG	ORING	1					
20	F0182248	CONTA	GASKET	1					
21		PERVANE UCU	IMPELLER	1	SOP				
22	F0182258	CONTA	GASKET	1					
23	F0182512	ARA PARÇA	INSERT	1					
24	F0182372	O-RİNG	O-RING	1					
25	F0182140	CIVATA	SCREW	1					M10x50
26	F0182286	BASKI PULU	THRUST WASHER	1					
27	F0182570	DİŞLİ	GEAR	1					
28	F0182202	BURÇ	BUSHING	1					

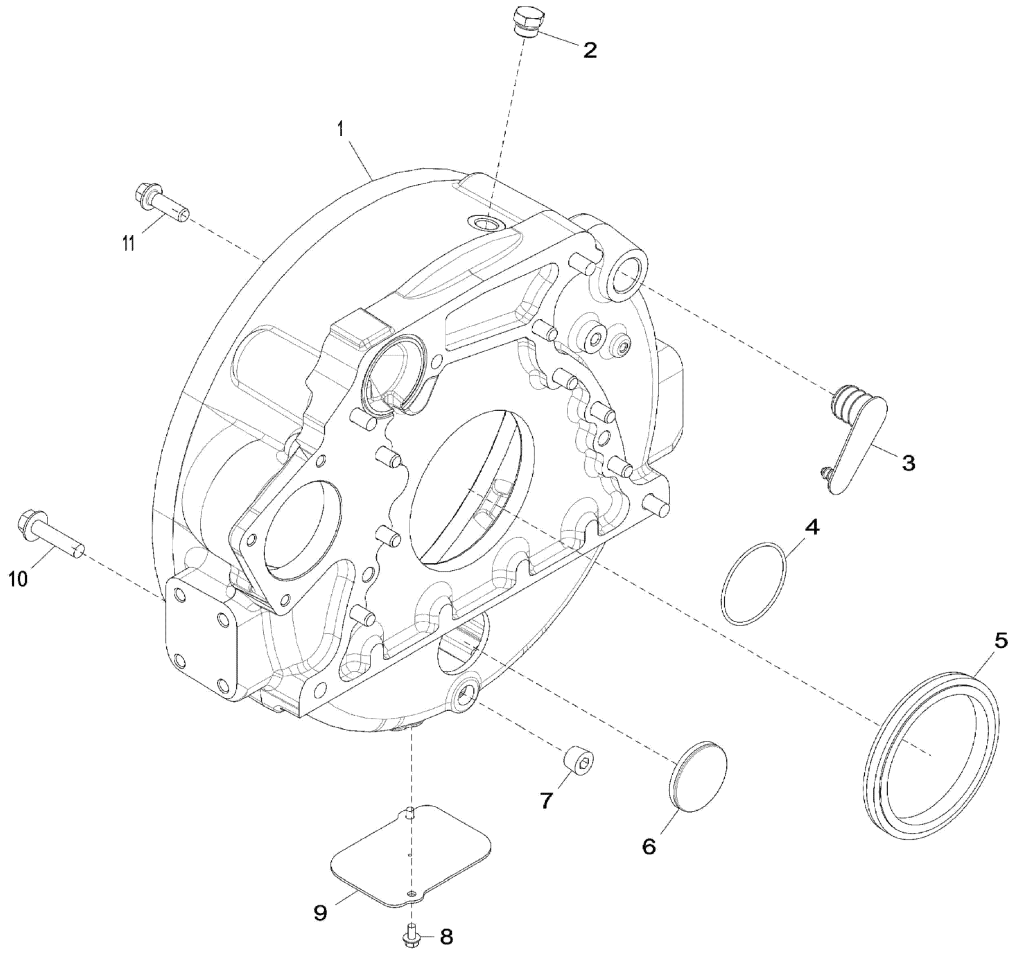
ÖN ROLANTİ DİŞLİ SİSTEMİ (ALT VE ÜST)
FRONT PLATE AND IDLE GEARS (UPPER AND LOWER)



ÖN ROLANTİ DİŞLİ SİSTEMİ (ALT VE ÜST)
FRONT PLATE AND IDLE GEARS (UPPER AND LOWER)

No	Parça No	Parça Adı		Adet	S.K.	Bas.S.N	Bit.S.N	Y.K.	Not
No	Part no		Description	Qty	SC	S/N from	S/N to	ICA	Note
1	F0182212	SAPLAMA	STUD	3					
2	F0182304	SAC	PLATE	1					
3	F0182302	SAPLAMA	STUD	2					
4	F0182314	CIVATA	SCREW M8x20	4					M8x20
5	F0182244	BASKI PULU	THRUST WASHER	1					
6	F0182228	ŞAFT	SHAFT	1					
7	F0182516	DİŞLİ	GEAR	1					
8	F0182284	BASKI PULU	THRUST WASHER	1					
9	F0182154	PİM	SPRING PIN	1					
10	F0182146	CIVATA	SCREW M10x65	1					M10x65
11	F0182204	ŞAFT	SHAFT	1					
12	F0182192	BASKI PULU	THRUST WASHER	4					
13	F0182272	SAPLAMA	STUD	1					

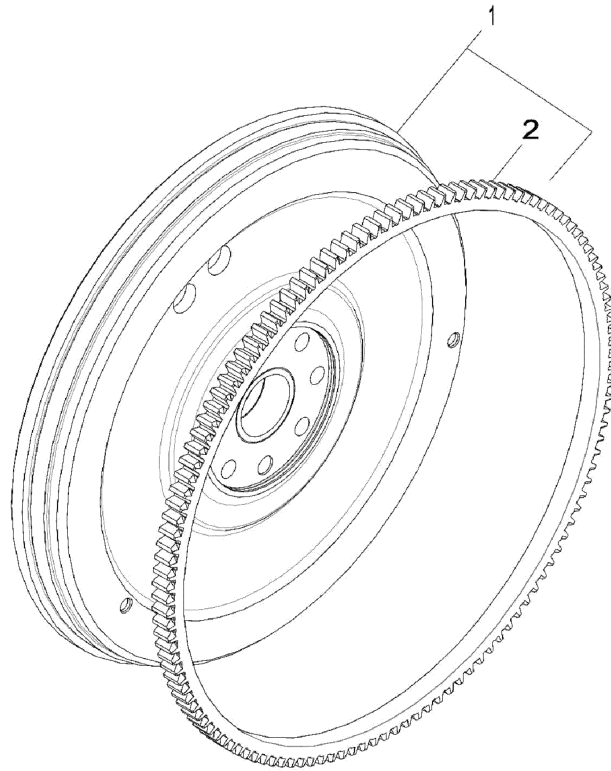
VOLAN MUHAFAZASI FLYWEEL HOUSING



**VOLAN MUHAFAZASI
FLYWEEL HOUSING**

No	Parça No	Parça Adı	Adet	S.K.	Bas.S.N	Bit.S.N	Y.K.	Not
No	Part no	Description	Qty	SC	S/N from	S/N to	ICA	Note
1	F0182369	VOLAN MUHAFAZASI	1					
2	F0182328	NİPEL	1					
3	F0182288	TAPA	1					
4	F0182412	O-RİNG	1					
5	F0182375	KEÇE	1					
6	F0182620	TAPA	1					
7	F0182377	TAPA	1					
8	F0182082	CIVATA	2					
9	F0182232	KAPAK SACI, MOTOR ALT	1					
10	F0182134	CIVATA	4					M12x50
11	F0182133	CIVATA	8					M12x38

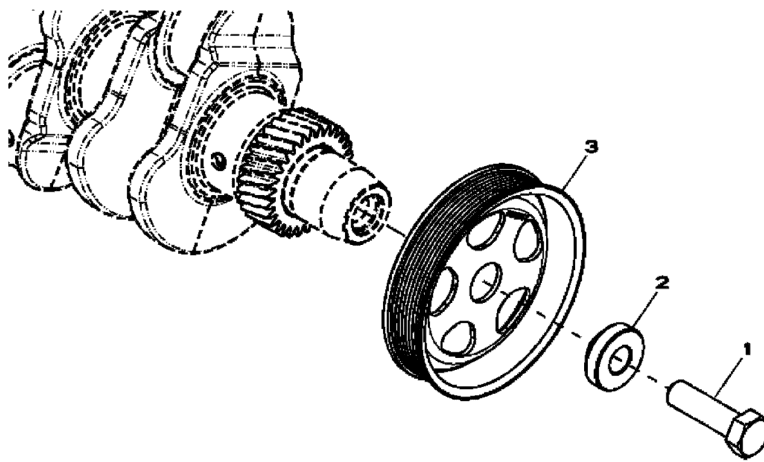
**VOLAN
FLYWEEL**



**VOLAN
FLYWEEL**

No	Parça No	Parça Adı	Adet	S.K.	Bas.S.N	Bit.S.N	Y.K.	Not
No	Part no	Description	Qty	SC	S/N from	S/N to	ICA	Note
1	F0183009	VOLAN	1					
2	F0182326	DİŞLİ	1					

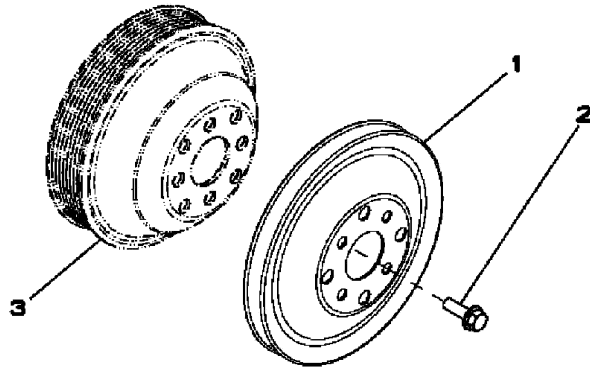
KRANK MĪĻI KASNAĢI
CRANKSHAFT PULLEY



**KRANK MİLİ KASNAĞI
CRANKSHAFT PULLEY**

No	Parça No	Parça Adı	Adet	S.K.	Bas.S.N	Bit.S.N	Y.K.	Not
No	Part no	Description	Qty	SC	S/N from	S/N to	ICA	Note
1	F0182382	KAPAK CİVATASI M20x70	1					
2	F0182380	BURÇ	1					
3	F0182376	KASNAK	1					

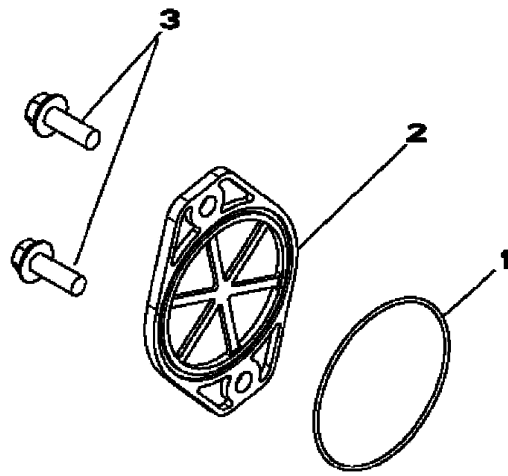
**YARDIMCI KASNAK
CRANKSHAFT PULLEY**



**YARDIMCI KASNAK
CRANKSHAFT PULLEY**

No	Parça No	Parça Adı	Adet	S.K.	Bas.S.N	Bit.S.N	Y.K.	Not
No	Part no	Description	Qty	SC	S/N from	S/N to	ICA	Note
1	F0182278	KASNAK	1					
2	F0182114	CIVATA	4					M8x25
3		KASNAK	1					

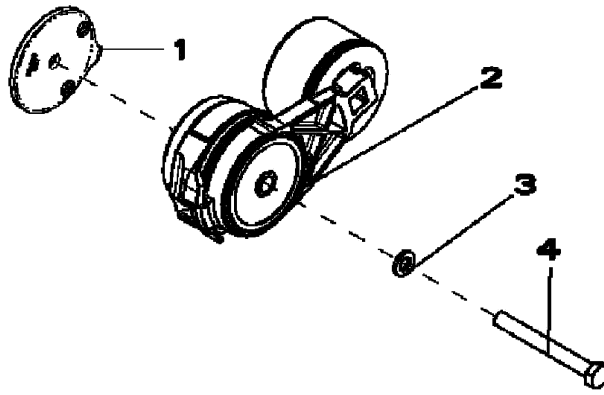
YARDIMCI KASNAK KAPAĞI
CRANKSHAFT PULLEY



**YARDIMCI KASNAK KAPAĐI
CRANKSHAFT PULLEY**

No	Parça No	Parça Adı	Adet	S.K.	Bas.S.N	Bit.S.N	Y.K.	Not
No	Part no	Description	Qty	SC	S/N from	S/N to	ICA	Note
1	F0182632	O-RİNG	1					
2	F0182310	KAPAK	1					
3	F0182096	CIVATA	2					M12x35

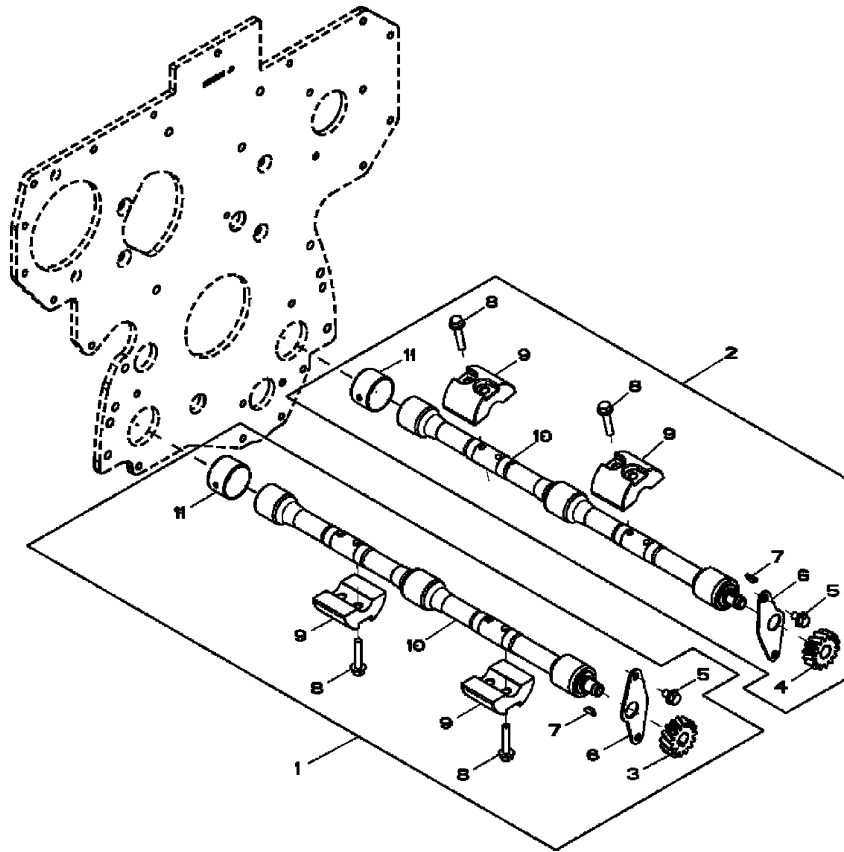
**KAYIŞ GERDİRİCİ
CRANKSHAFT PULLEY**



**KAYIŞ GERDİRİCİ
CRANKSHAFT PULLEY**

No	Parça No	Parça Adı	Adet	S.K.	Bas.S.N	Bit.S.N	Y.K.	Not
No	Part no	Description	Qty	SC	S/N from	S/N to	ICA	Note
1	F0182384	ARA PARÇA	1					
2	F0182528	GERDİRİCİ	1					
3	F0182150	PUL	1					
4	F0182128	CIVATA	1					

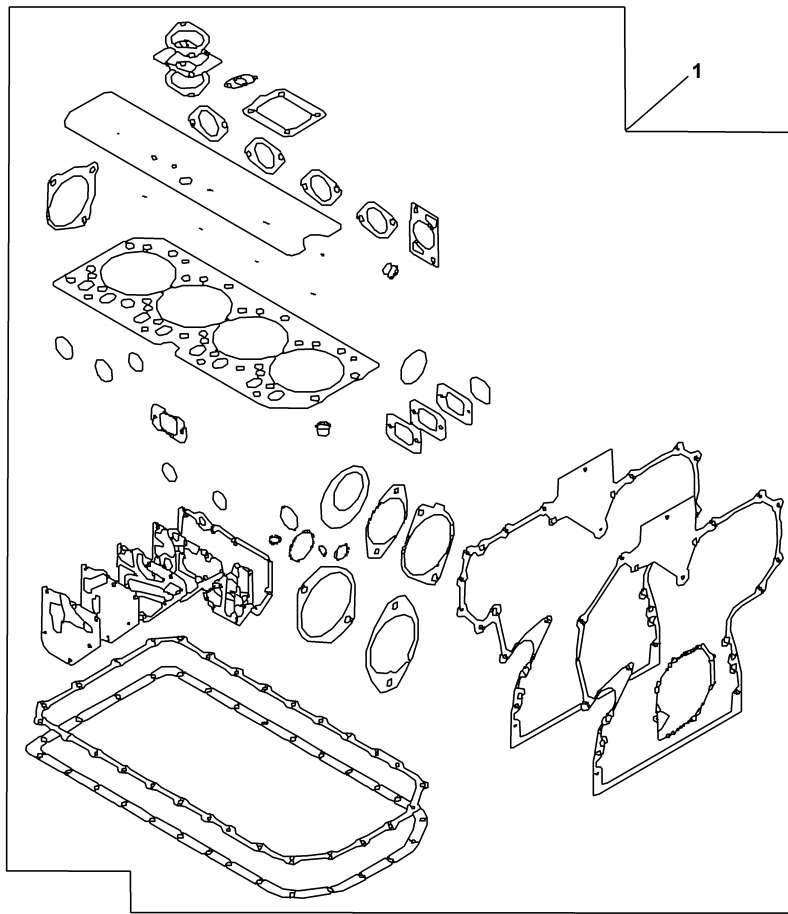
DENGELEME ŞAFTI
BALANCER SHAFT



**DENGELEME ŞAFTI
BALANCER SHAFT**

No	Parça No	Parça Adı	Adet	S.K.	Bas.S.N	Bit.S.N	Y.K.	Not
No	Part no	Description	Qty	SC	S/N from	S/N to	ICA	Note
1	F0182474	BALANS ŞAFTI KOMPLESİ	1					RH, KIT
2	F0182472	BALANS ŞAFTI KOMPLESİ	1					LH, KIT
3	F0182222	DİŞLİ	1					Z=15, RH
4	F0182226	DİŞLİ	1					Z=15, LH
5	F0182112	CIVATA	1					M8x12
6	F0182208	SAC	1					
7	F0182298	KAMA	1					
8	F0182100	CIVATA	4					M8x40
9	F0182336	DENGELEYİCİ AĞIRLIK	2					
10		DENGELEME ŞAFTI	1					RH
10		DENGELEME ŞAFTI	1					LH
11	F0182206	BURÇ	2					

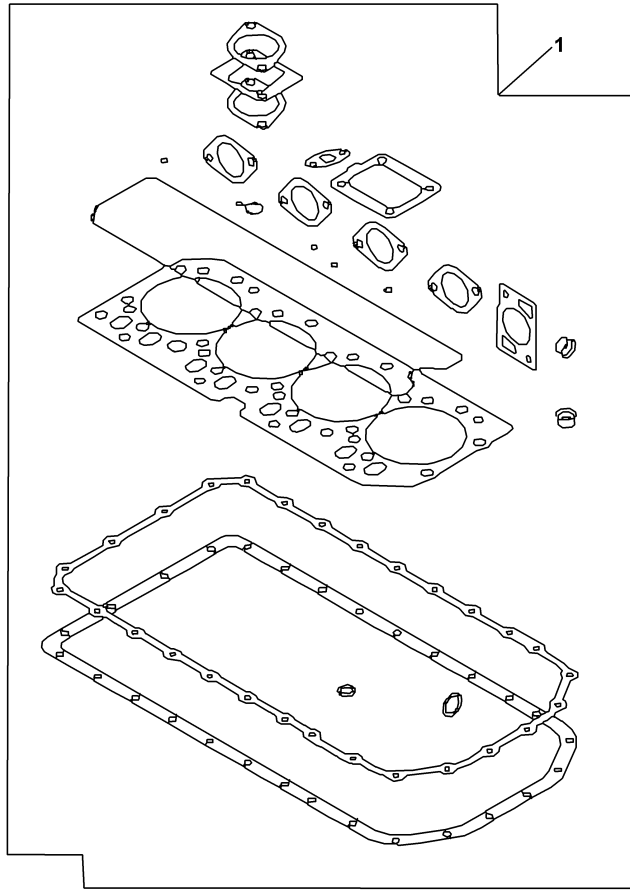
MOTOR CONTA, KITI BALANCER SHAFT



**MOTOR CONTA, KİTİ
BALANCER SHAFT**

No	Parça No	Parça Adı	Description	Adet	S.K.	Bas.S.N	Bit.S.N	Y.K.	Not
No	Part no			Qty	SC	S/N from	S/N to	ICA	Note
1	S0643494	CONTA KİTİ	GASKET KIT	1					

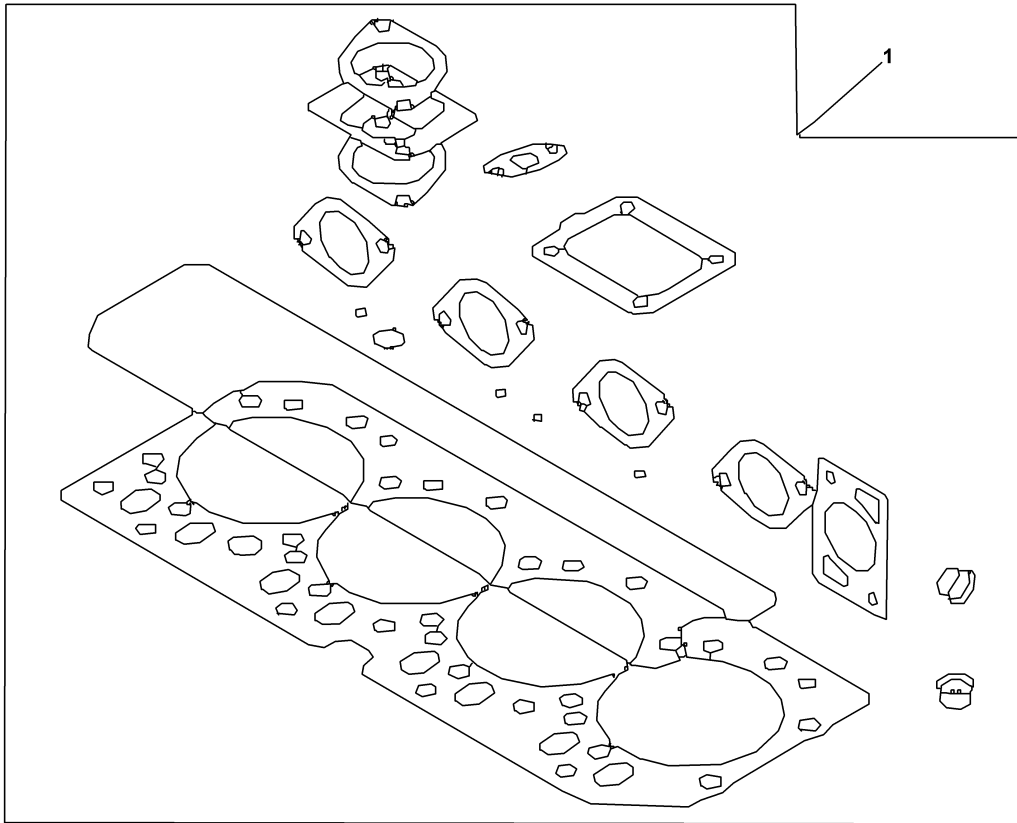
**CONTA KİTİ- SİLİNDİR KAPAĞI/ YAĞ KARTERİ
BALANCER SHAFT**



**CONTA KİTİ- SİLİNDİR KAPAĞI/ YAĞ KARTERİ
BALANCER SHAFT**

No	Parça No	Parça Adı	Adet	S.K.	Bas.S.N	Bit.S.N	Y.K.	Not
No	Part no	Description	Qty	SC	S/N from	S/N to	ICA	Note
1	S0643540	CONTA KİTİ	GASKET KIT	1				

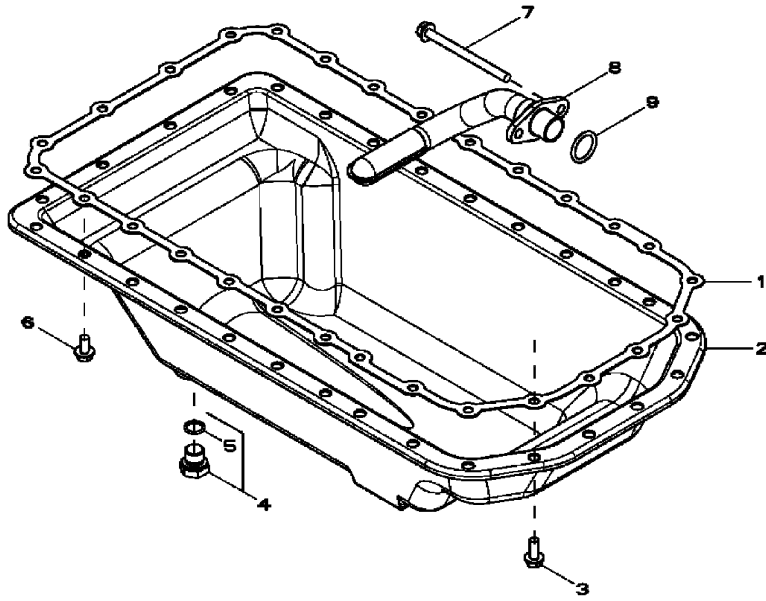
**CONTA KİTİ- SİLİNDİR KAPAĞI
BALANCER SHAFT**



**CONTA KİTİ- SİLİNDİR KAPAĞI
BALANCER SHAFT**

No	Parça No	Parça Adı		Adet	S.K.	Bas.S.N	Bit.S.N	Y.K.	Not
No	Part no		Description	Qty	SC	S/N from	S/N to	ICA	Note
1	S0643541	CONTA KİTİ	GASKET KIT	1					

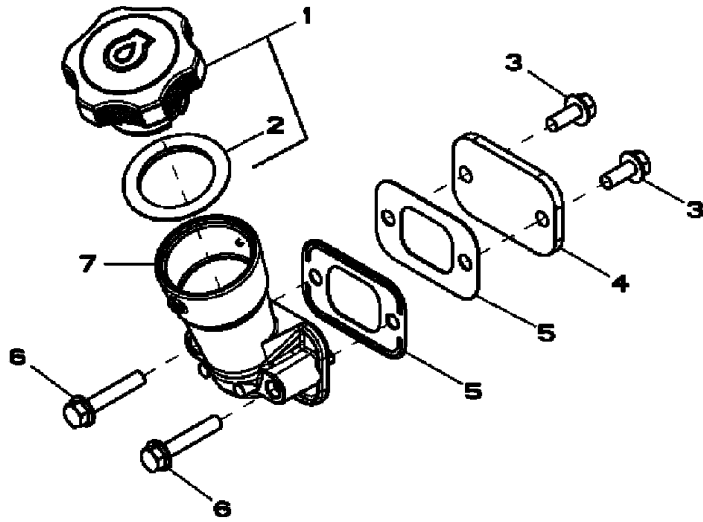
YAĞ KARTERİ
OIL PAN



**YAĞ KARTERİ
OIL PAN**

No	Parça No	Parça Adı	Adet	S.K.	Bas.S.N	Bit.S.N	Y.K.	Not
No	Part no	Description	Qty	SC	S/N from	S/N to	ICA	Note
1	F0182394	CONTA	1					
2	F0182578	YAĞ KARTERİ	1					
3	F0182126	CIVATA	6					M8x20
4	F0182462	TAPA	1					
5	F0182164	O-RİNG	1					
6	F0182118	CIVATA	22					M8x16
7	F0182142	CIVATA	2					M8x100
8	F0182572	BORU	1					
9	F0182414	O-RİNG	1					

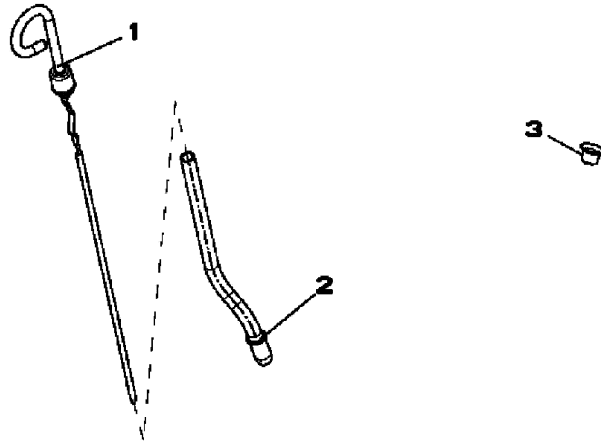
YAĞ DOLDURMA BORUSU- SAĞ TARAF
OIL FILLER NECK- RIGHT HAND SIDE



**YAĞ DOLDURMA BORUSU- SAĞ TARAF
OIL FILLER NECK- RIGHT HAND SIDE**

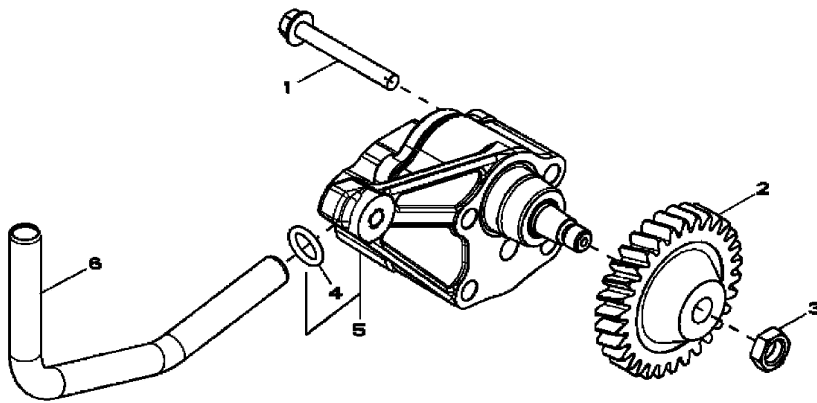
No	Parça No	Parça Adı		Adet	S.K.	Bas.S.N	Bit.S.N	Y.K.	Not
No	Part no		Description	Qty	SC	S/N from	S/N to	ICA	Note
1	F0182564	YAĞ DOLDURMA KAPAĞI	FILLER CAP	1					
2	F0182364	KEÇE	PACKING	1					
3	F0182606	CIVATA	SCREW	2					M8x20
4	F0182210	KAPAK SACI	COVER	1					
5	F0182316	CONTA	GASKET	2					
6	F0182608	CIVATA	SCREW M8x45	2					M8x45
7	F0182470	YAĞ DOLDURMA BORUSU	FILLER NECK	1					

YAĞ KONTROL ÇUBUĞU VE BORUSU
ENGINE OIL DIPSTICK



**YAĞ KONTROL ÇUBUĞU VE BORUSU
ENGINE OIL DIPSTICK**

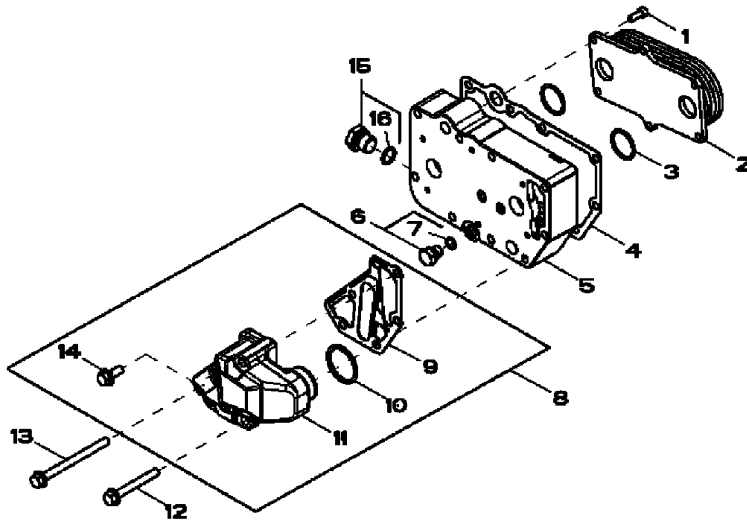
No	Parça No	Parça Adı	Adet	S.K.	Bas.S.N	Bit.S.N	Y.K.	Not
No	Part no	Description	Qty	SC	S/N from	S/N to	ICA	Note
1	F0182610	YAĞ KONTROL ÇUBUĞU	1					
2	F0182358	YAĞ KONTROL BORUSU	1					
3	F0182360	TAPA	1					

**YAĞ POMPASI
OIL PUMP**

**YAĞ POMPASI
OIL PUMP**

No	Parça No	Parça Adı	Adet	S.K.	Bas.S.N	Bit.S.N	Y.K.	Not
No	Part no	Description	Qty	SC	S/N from	S/N to	ICA	Note
1	F0182144	CIVATA	2					M8x65
2	F0182224	DİŞLİ	1					
3	F0182066	SOMUN	1					
4	F0182440	O-RİNG	1					
5	F0182492	YAĞ POMPASI	1					
6	F0182234	BORU	1					

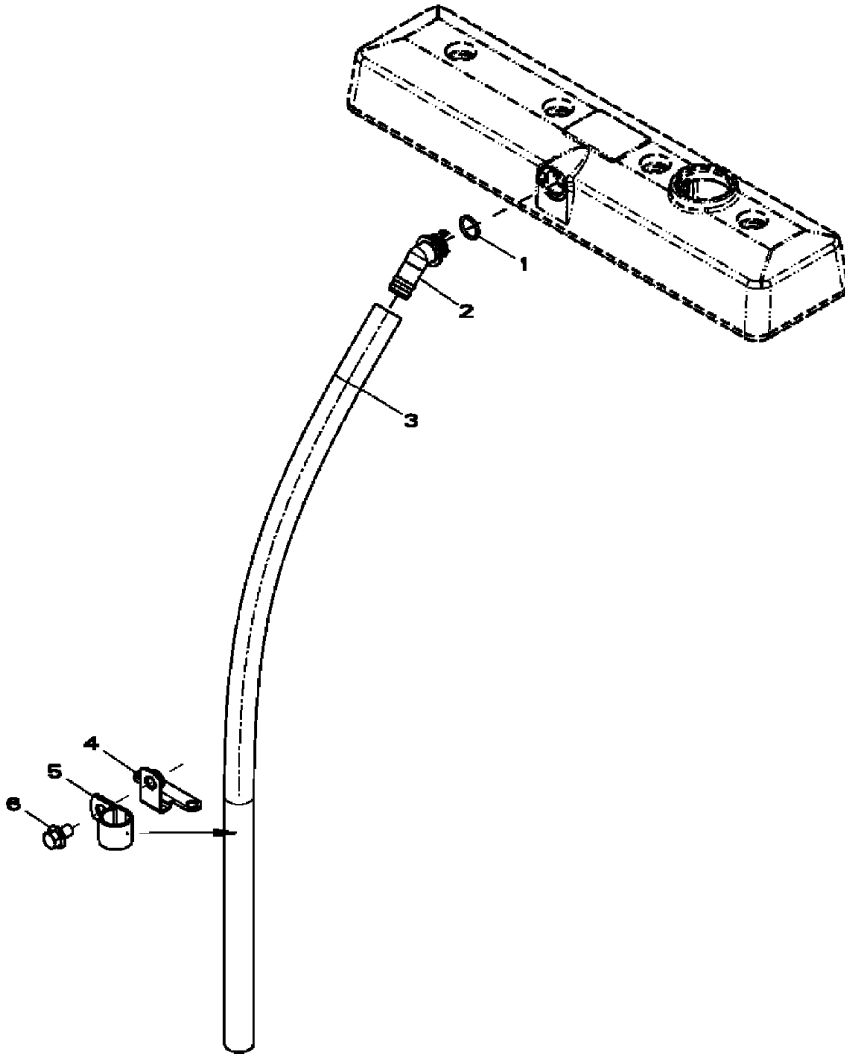
YAĞ SOĞUTUCU OIL COOLER



**YAĞ SOĞUTUCU
OIL COOLER**

No	Parça No	Parça Adı	Adet	S.K.	Bas.S.N	Bit.S.N	Y.K.	Not
No	Part no	Description	Qty	SC	S/N from	S/N to	ICA	Note
1	F0182604	CIVATA	6					M6x16
2	F0182576	YAĞ SOĞUTUCU, MOTOR	1					
3	F0182618	O-RİNG	2					
4	F0182262	CONTA	1					
5	F0182260	BLOK	1					
6	F0182464	TAPA	1					
7	F0182158	O-RİNG	1					
8	F0182514	GÖVDE KOMPLESİ	1					
9	F0182350	CONTA	1					
10	F0182372	O-RİNG	1					
11		ARA GÖVDE	1					
12	F0182104	CIVATA	2					M8x65
13	F0182122	CIVATA	2					M8x100
14	F0182606	CIVATA	1					M8x20
15	F0182462	TAPA	1					
16	F0182164	O-RİNG	1					

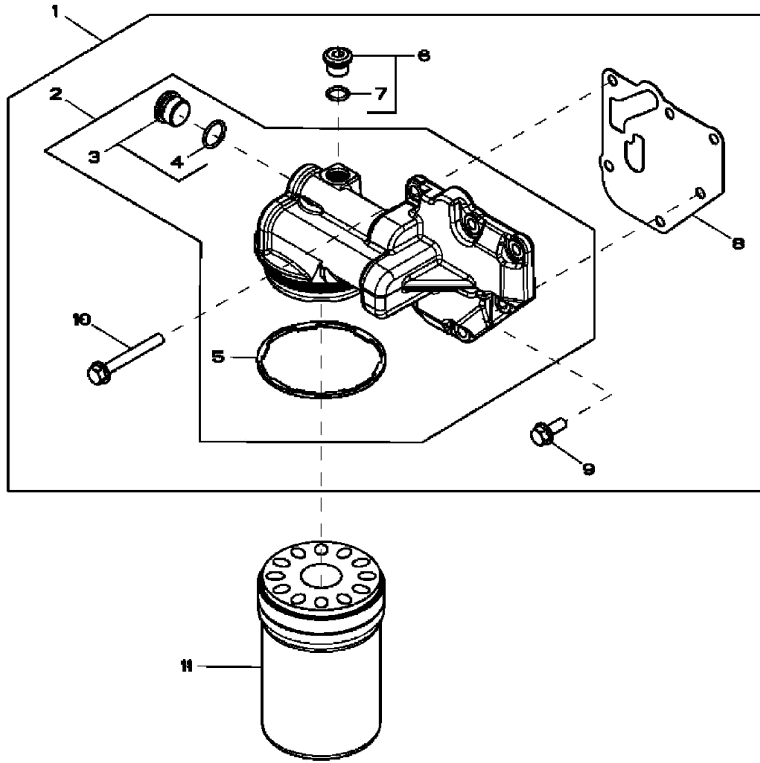
HAVALANDIRMA SİSTEMİ VENTILATING SYSTEM



**HAVALANDIRMA SİSTEMİ
VENTILATING SYSTEM**

No	Parça No	Parça Adı	Adet	S.K.	Bas.S.N	Bit.S.N	Y.K.	Not
No	Part no	Description	Qty	SC	S/N from	S/N to	ICA	Note
1	F0182422	O-RİNG	1					
2	F0182274	DİRSEK	1					
3	F0182640	HORTUM	1					
4	F0182502	BRAKET	1					
5	F0182424	KELEPÇE	1					
6	F0182086	CIVATA	1					M10x16

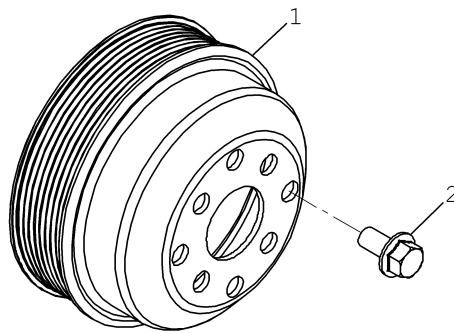
YAĞ FİLTRESİ VE FİLTRE KAFASI OIL FILTER AND FILTER HEAD



**YAĞ FİLTRESİ VE FİLTRE KAFASI
OIL FILTER AND FILTER HEAD**

No	Parça No	Parça Adı	Adet	S.K.	Bas.S.N	Bit.S.N	Y.K.	Not
No	Part no	Description	Qty	SC	S/N from	S/N to	ICA	Note
1	F0182518	FİLTRE KAFASI KOMPLESİ	1					
2	F0182488	FİLTRE KAFASI	1					
3	F0182494	KÖR TAPA	2					
4	F0182168	O-RİNG	1					
5	F0182356	KEÇE	1					
6	F0182538	TAPA	1					
7	F0182162	O-RİNG	1					
8	F0182342	CONTA	1					
9	F0182606	CIVATA	1					M8x20
10	F0182104	CIVATA	5					M8x65
11	F2826510	FİLTRE, MOTOR YAĞ	1					

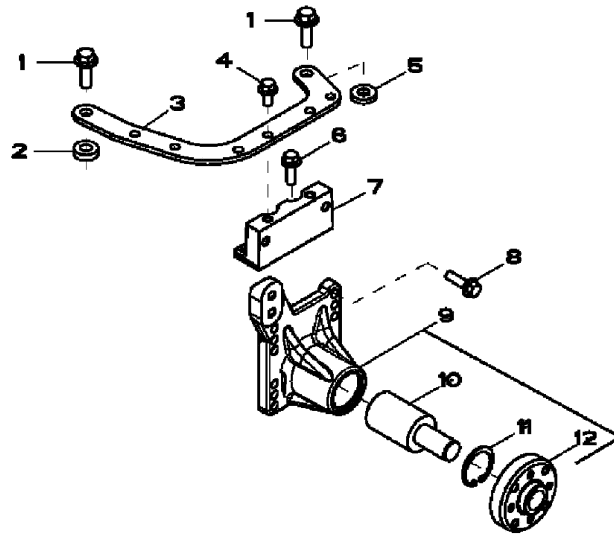
FAN KASNAĞI
FAN PULLEY



**FAN KASNAĐI
FAN PULLEY**

No	Parça No	Parça Adı	Adet	S.K.	Bas.S.N	Bit.S.N	Y.K.	Not
No	Part no	Description	Qty	SC	S/N from	S/N to	ICA	Note
1	F0182283	KASNAK	1					
2	F0182088	CIVATA	4					M10x20

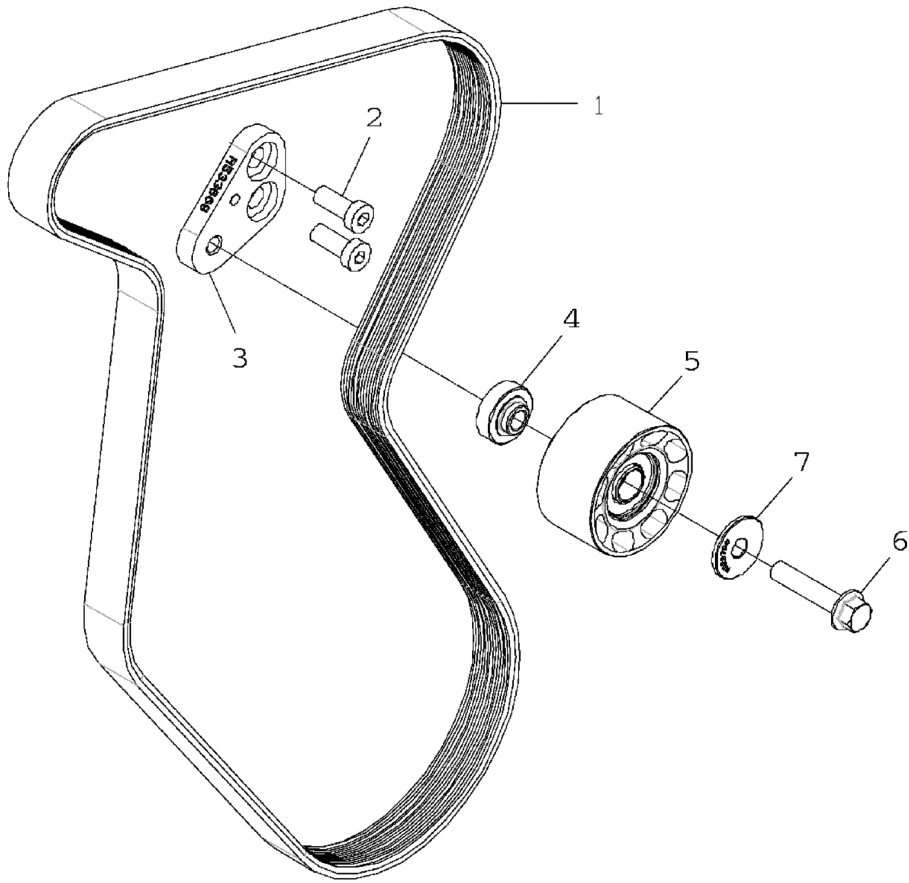
FAN TAHRİKİ
FAN DRIVE



**FAN TAHRİKİ
FAN DRIVE**

No	Parça No	Parça Adı	Adet	S.K.	Bas.S.N	Bit.S.N	Y.K.	Not
No	Part no	Description	Qty	SC	S/N from	S/N to	ICA	Note
1	F0182096	CIVATA	2					M12x35
2	F0182186	PUL	1					
3	F0182308	BRACKET	1					
4	F0182088	CIVATA	2					M10x20
5	F0182622	PUL	1					
6	F0182092	CIVATA	2					M10x630
7	F0182306	ARA PARÇA	1					
8	F0182110	CIVATA	4					M10x35
9	F0182482	FAN TAHRİK YATAĞI KOMPLESİ	1					
10		BİLYALI YATAK	1					
11	F0182182	SEGMAN	1					
12		FAN GÖBEĞİ	1					

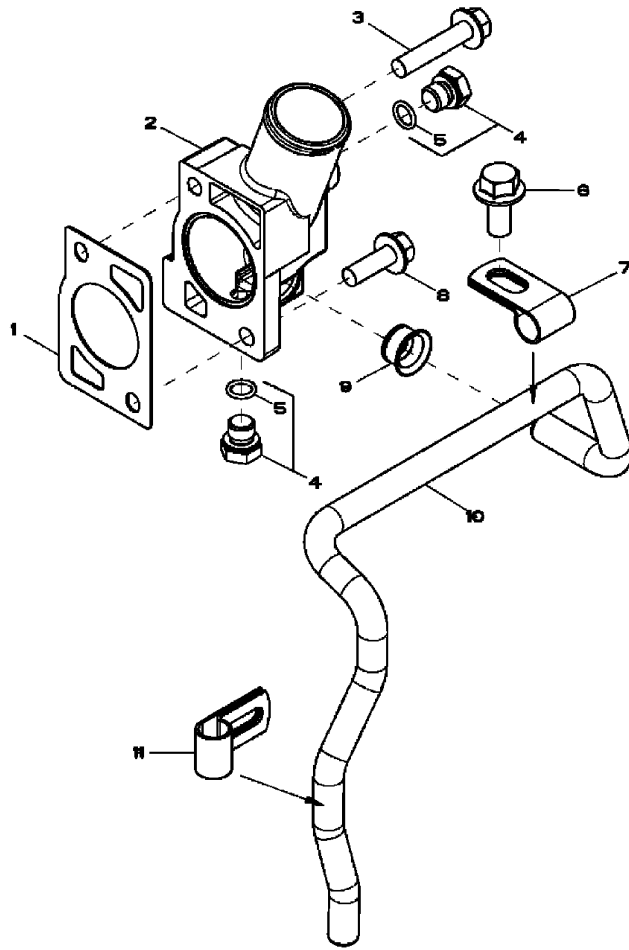
FAN KAYIŞI
FAN BELT



**FAN KAYIŞI
FAN BELT**

No	Parça No	Parça Adı	Adet	S.K.	Bas.S.N	Bit.S.N	Y.K.	Not
No	Part no	Description	Qty	SC	S/N from	S/N to	ICA	Note
1	S0646459	KAYIŞ	1					
2	S0646463	CIVATA	2					M10x25
3	S0646462	BRACKET	1					
4	S0646460	YÜKSÜK	1					
5	F0182029	KASNAK	1					
6	F0182132	VİDA	1					
7	S0646461	KOVAN	1					

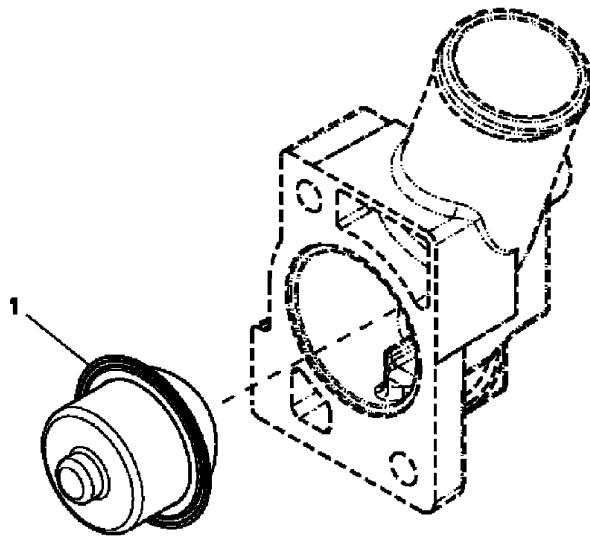
TERMOSTAT KAPAĞI
THERMOSTAT COVER



**TERMOSTAT KAPAĞI
THERMOSTAT COVER**

No	Parça No	Parça Adı	Adet	S.K.	Bas.S.N	Bit.S.N	Y.K.	Not
No	Part no	Description	Qty	SC	S/N from	S/N to	ICA	Note
1	F0182362	CONTA	1					
2	F0182346	TERMOSTAT KAPAĞI	1					
3	F0192132	CIVATA	1					M10x50
4	F0182460	TAPA	2					
5	F0182160	O-RİNG	2					
6	F0182094	CIVATA	1					M12x25
7	F0182254	KELEPÇE	1					
8	F0182092	CIVATA	1					M10x30
9	F0182248	CONTA	1					
10	F0182348	BORU	1					
11	F0182254	KELEPÇE	1					

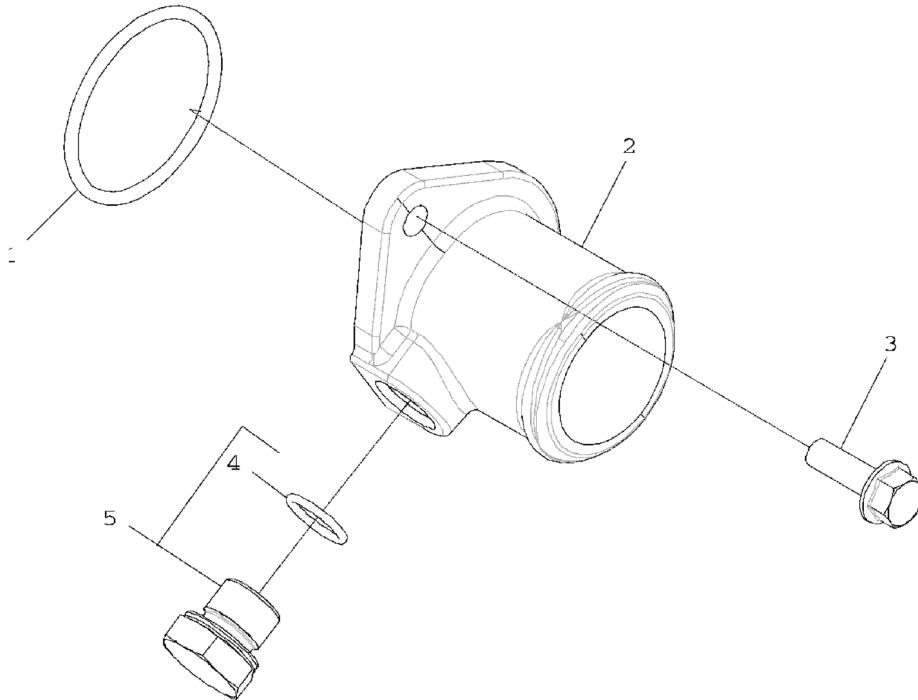
TERMOSTAT
THERMOSTAT



**TERMOSTAT
THERMOSTAT**

No	Parça No	Parça Adı	Adet	S.K.	Bas.S.N	Bit.S.N	Y.K.	Not
No	Part no	Description	Qty	SC	S/N from	S/N to	ICA	Note
1	F0182536	TERMOSTAT	1					
		THERMOSTAT						

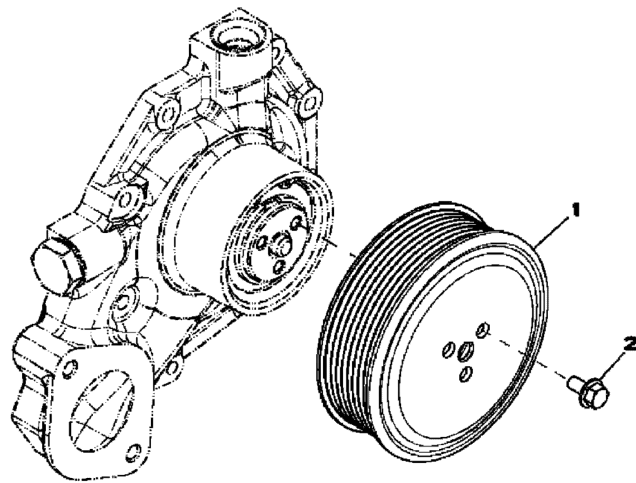
**SU POMPASI EMİŞ BORUSU
WATER PUMP INLET**



**SU POMPASI EMİŐ BORUSU
WATER PUMP INLET**

No	Parça No	Parça Adı	Adet	S.K.	Bas.S.N	Bit.S.N	Y.K.	Not
No	Part no	Description	Qty	SC	S/N from	S/N to	ICA	Note
1	F0182430	O-RİNG	1					
2	F0182451	SU GİRİŐİ	1					
3	F0182114	CIVATA	2					M8x25
4	F0182164	O-RİNG	1					
5	F0182462	TAPA	1					

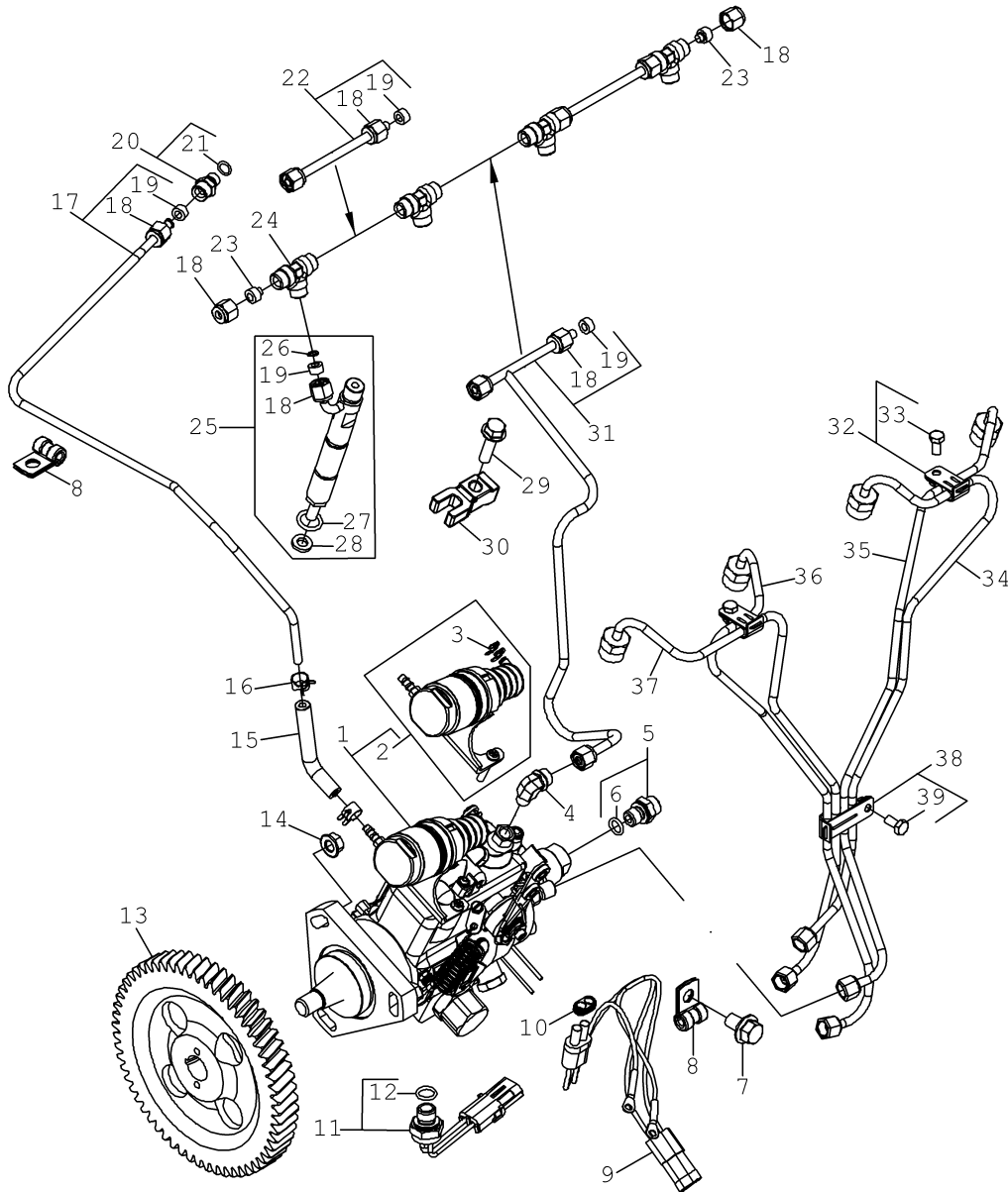
SU POMPASI KASNAĞI
WATER PUMP PULLEY



**SU POMPASI KASNAĐI
WATER PUMP PULLEY**

No	Parça No	Parça Adı	Adet	S.K.	Bas.S.N	Bit.S.N	Y.K.	Not
No	Part no	Description	Qty	SC	S/N from	S/N to	ICA	Note
1	F0182230	KASNAK	1					
2	F0182082	CIVATA	3					M6x12

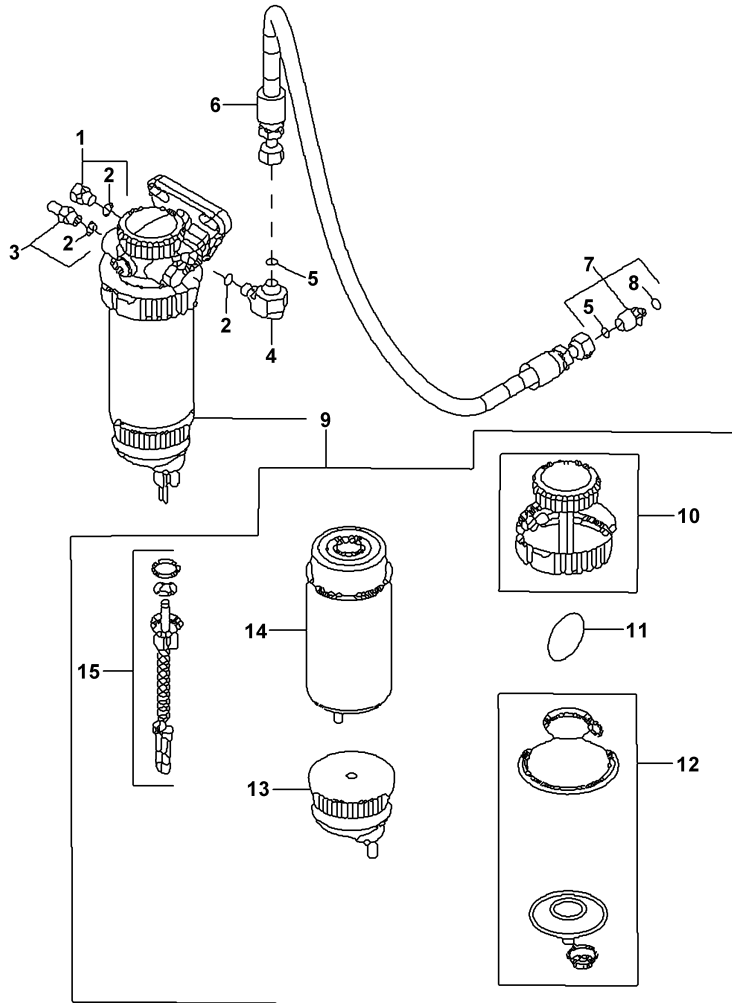
YAKIT PÜSKÜRTME POMPASI FUEL INJECTION PUMP



YAKIT PÜSKÜRTME POMPASI FUEL INJECTION PUMP

No	Parça No	Parça Adı	Adet	S.K.	Bas.S.N	Bit.S.N	Y.K.	Not
No	Part no	Description	Qty	SC	S/N from	S/N to	ICA	Note
1	F0182566	YAKIT PÜSKÜRTME POMPASI	FUEL INJECTION PIMP	1				
2	F0182015	POMPA KİTİ	PUMP KIT	1				
3	F0182016	SEGMAN	SNAP RING	2				
4	F0182418	DİRSEK	ELBOW	1				
5	F0182584	NİPEL	ADAPTER FITTING	1				
6	F0182158	O-RİNG	O-RING	1				
7	F0182086	CIVATA	SCREW M10x16	2				
8	F0182638	KELEPÇE	CLAMP	2				
9	F0182602	ELEKTRİK TESİSATI	WIRING HARNESS	1				
10	F0178048	KONNEKTÖR	CONNECTOR	1				
11	F0182480	SENSÖR, KABLOLU	SENSOR WITH WIRING HARNESS	1				
12	F0182160	O-RİNG	O-RING	1				
13	F0182292	DİŞLİ	GEAR	1				
14	F0182074	SOMUN	NUT	3				
15	F0182017	HORTUM	HOSE	1				
16	F0182312	CIVATA	BOLT	2				
17	F0182569	BORU KOMPLESİ	ANEROID LINE	1				
18	F0182030	SOMUN	NUT	1				
19	F0182060	PUL	SEALING WASHER	1				
20	F0182583	NİPEL	FITTING	1				
21	F0182156	O-RİNG	ORING	1				
22	F0182556	YAKIT BORUSU	FUEL LINE	2				
23	F0182174	TAPA	PLUG	2				
24	F0182438	T ADAPTÖR	TEE	4				
25	F0182018	ENJEKTÖR	INJECTION NOZZLE	4				
26	F0182402	SEGMAN	PISTON RING	1				
27	F0182410	O-RİNG	O-RING	1				
28	F0182019	PUL	WASHER	1				
29	F0182116	CIVATA	SCREW	4				
30	F0182396	KELEPÇE	CLAMP	4				
31	F0182558	YAKIT BORUSU	FUEL LINE	1				
32	F0182452	KELEPÇE	CLAMP	2				
33	F0182080	CIVATA	SCREW	3				
34	F0182546	YAKIT BORUSU	FUEL LINE	1				
35	F0182548	YAKIT BORUSU	FUEL LINE	1				
36	F0182544	YAKIT BORUSU	PIPE	1				
37	F0182542	YAKIT BORUSU	FUEL LINE	1				
38	F0182454	KELEPÇE	CLAMP	1				
39	F0182080	CIVATA	SCREW	3				

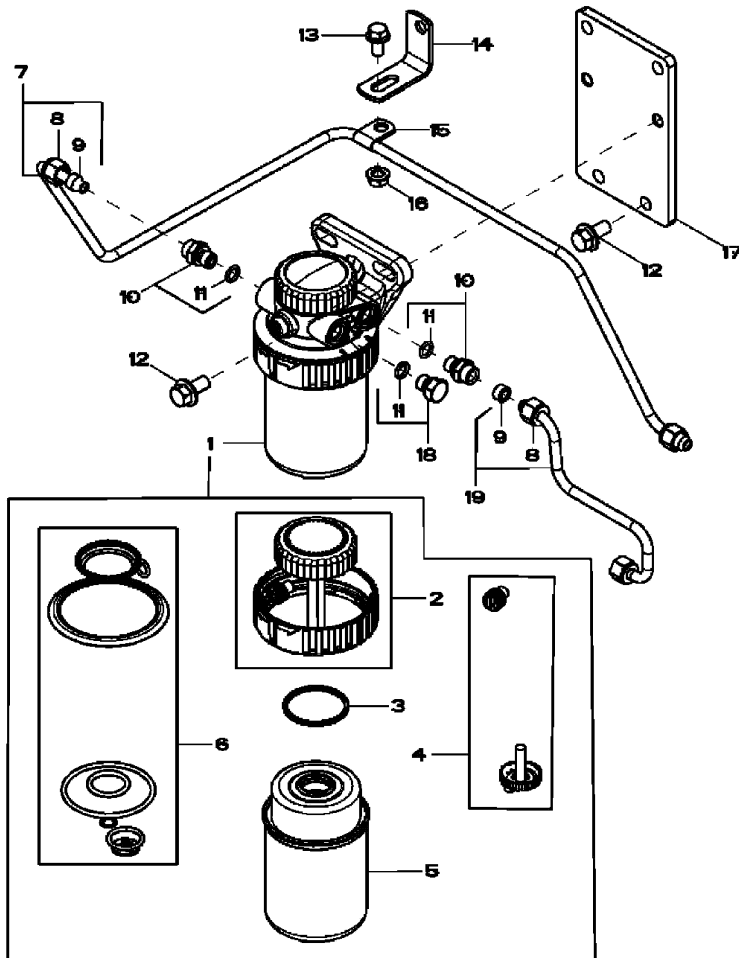
ÖN YAKIT FİLTRESİ PRIMARY FUEL FILTER



**ÖN YAKIT FİLTRESİ
PRIMARY FUEL FILTER**

No	Parça No	Parça Adı	Adet	S.K.	Bas.S.N	Bit.S.N	Y.K.	Not
No	Part no	Description	Qty	SC	S/N from	S/N to	ICA	Note
1	F0182464	TAPA	2					
2	F0182158	O-RİNG	1					
3	F0182585	NİPEL	1					
4	F0182575	DİRSEK	1					
5	F0182621	O-RİNG	1					
6	F0182545	HORTUM	1					
7	F0182577	NİPEL	1					
8	F0182340	O-RİNG	1					
9	F2814101	FİLTRE, YAKIT ÖN	1					
10	F0182403	KEÇE TAKIMI	1					
11	F0182525	O-RİNG KİTİ	1					
12	F0182527	KEÇE TAKIMI	1					
13	F2891602	ÇANAK, SU AYIRICI	1					
14	F2891510	FİLTRE, YAKIT	1					
15	F0182593	SENSÖR	1					

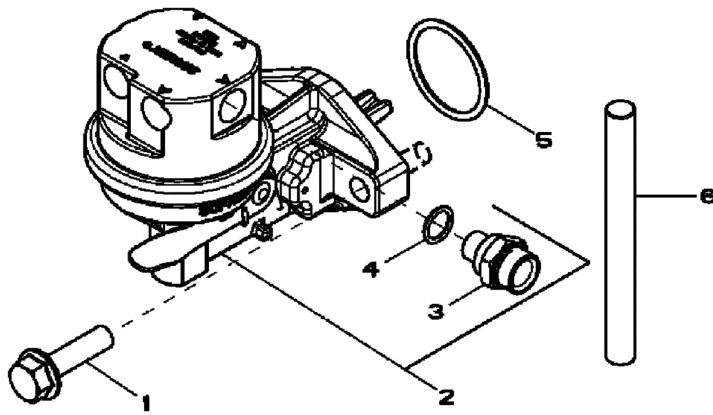
ANA YAKIT FİLTRESİ FINAL FUEL FILTER



**ANA YAKIT FİLTRESİ
FINAL FUEL FILTER**

No	Parça No	Parça Adı	Description	Adet	S.K.	Bas.S.N	Bit.S.N	Y.K.	Not
No	Part no			Qty	SC	S/N from	S/N to	ICA	Note
1	F2814100	FİLTRE KOMPLESİ, YAKIT	FILTER	1					
2	F0182403	KEÇE TAKIMI	SEAL KIT	1					
3	F0182525	O-RİNG KİTİ	O-RING KIT	1					
4	F0182587	MUSLUK	DRAIN VALVE	1					
5	F2891515	FİLTRE, YAKIT	FILTER ELEMENT	1					
6	F0182527	KEÇE TAKIMI	SEAL KIT	1					
7	F0182513	BORU KOMPLESİ	FUEL LINE	1					
8	F0182276	SOMUN	NUT	2					
9	F0182423	PUL	SEALING WASHER	2					
10	F0182584	NİPEL	ADAPTER FITTING	2					
11	F0182158	O-RİNG	O-RING	1					
12	F0182088	CIVATA	SCREW	4					M10x20
13	F0182113	CIVATA	SCREW	1					
14	F0182209	BRAKET	BRACKET	1					
15	F0182616	KELEPÇE	CLAMP	1					
16	F0182074	SOMUN	NUT	1					
17	F0182408	BRAKET	BRACKET	1					
18	F0182464	TAPA	FITTING PLUG	2					
19	F0182523	BORU KOMPLESİ	FUEL LINE	1					

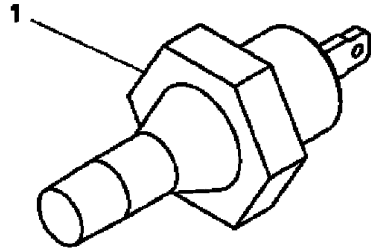
**YAKIT TRANFER POMPASI
FUEL TRANSFER PUMP**



**YAKIT TRANFER POMPASI
FUEL TRANSFER PUMP**

No	Parça No	Parça Adı	Adet	S.K.	Bas.S.N	Bit.S.N	Y.K.	Not
No	Part no	Description	Qty	SC	S/N from	S/N to	ICA	Note
1	F0182484	VİDA	2					
2	F0182504	YAKIT POMPASI	1					
3	F0182338	NİPEL	1					
4	F0182340	O-RİNG	1					
5	F0182252	O-RİNG	1					
6	F0182300	PİM	1					

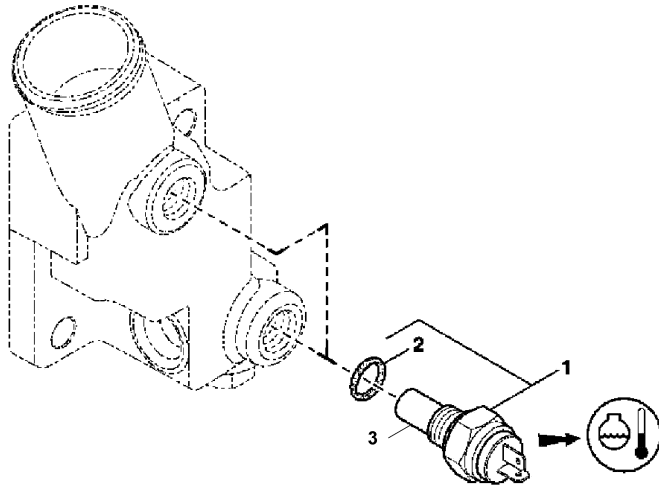
YAĞ BASINÇ MÜŞÜRÜ
OIL PRESSURE SWITCH



**YAĞ BASINÇ MÜŞÜRÜ
OIL PRESSURE SWITCH**

No	Parça No	Parça Adı	Adet	S.K.	Bas.S.N	Bit.S.N	Y.K.	Not
No	Part no	Description	Qty	SC	S/N from	S/N to	ICA	Note
1	51526100	MÜŞÜR, BASINÇ, YAĞ	1					
		SWITCH						

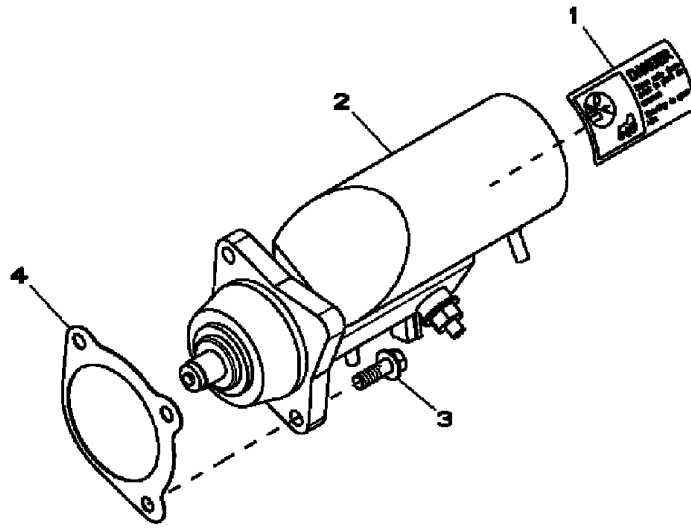
SU HARARET MÜŞÜRÜ
TEMPERATURE SWITCH



**SU HARARET MÜŞÜRÜ
TEMPERATURE SWITCH**

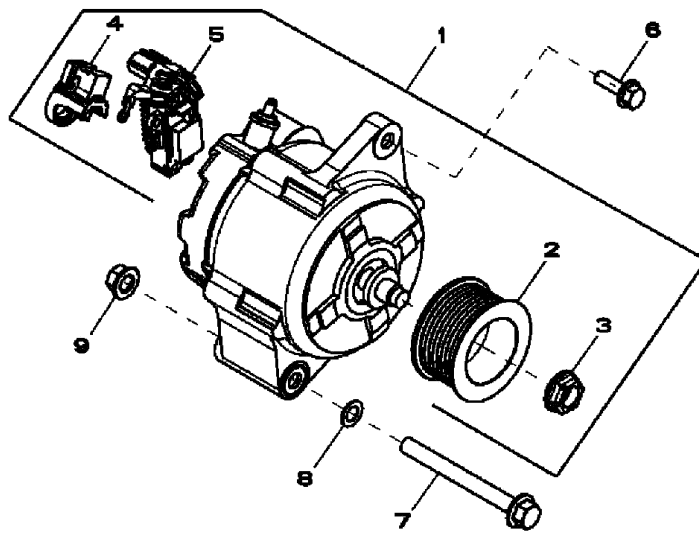
No	Parça No	Parça Adı	Adet	S.K.	Bas.S.N	Bit.S.N	Y.K.	Not
No	Part no	Description	Qty	SC	S/N from	S/N to	ICA	Note
1	51526030	SENSÖR, SICAKLIK	1					
		COOLANT TEMPERATURE SENSOR						
2	F0182160	O-RİNG	1					
		O-RING						
3	F0182480	SENSÖR, KABLOLU	1					
		SENSOR WITH WIRING HARNESS						

MARŞ MOTORU
STARTING MOTOR



**MARŞ MOTORU
STARTING MOTOR**

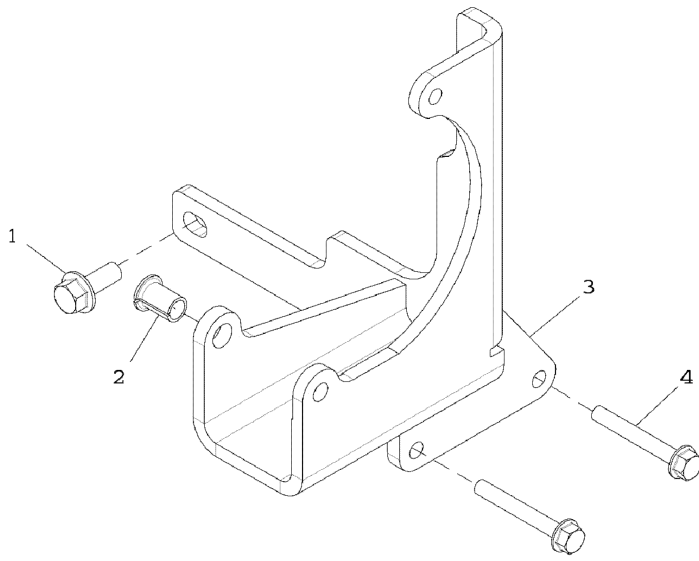
No	Parça No	Parça Adı	Adet	S.K.	Bas.S.N	Bit.S.N	Y.K.	Not
No	Part no	Description	Qty	SC	S/N from	S/N to	ICA	Note
1		ETIKET	1					
2	F0182580	MARŞ MOTORU KOMPLESI	1					
3	F0182092	CIVATA	2					M10x30
4	F0182404	CONTA	1					

**ALTERNATÖR
ALTERNATOR**

**ALTERNATÖR
ALTERNATOR**

No	Parça No	Parça Adı	Adet	S.K.	Bas.S.N	Bit.S.N	Y.K.	Not
No	Part no	Description	Qty	SC	S/N from	S/N to	ICA	Note
1	F0182520	ALTERNATÖR KOMPLESİ	1					
2	F0182370	MAKARA	1					
3	F0182200	SOMUN	1					
4	F0182318	KÖMÜR TUTUCU	1					
5	F0182374	REGÜLATÖR, ALTERNATÖR	1					
6	F0182114	CIVATA	1					M8x25
7	F0182108	CIVATA	1					M10x100
8	F0182416	BASKI PULU	1					
9	F0182072	SOMUN	1					

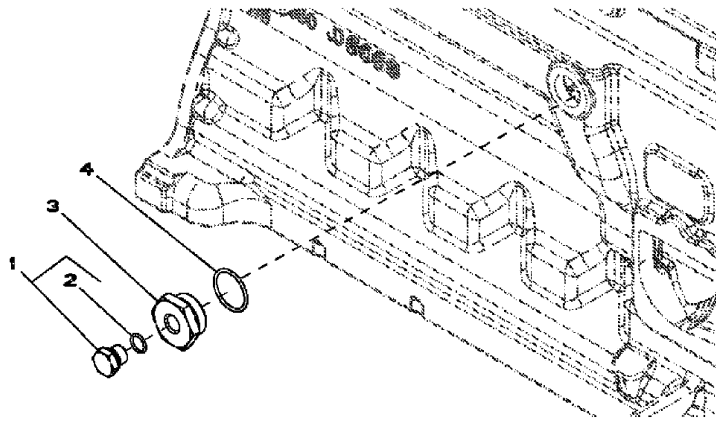
ALTERNATÖR BAĞLANTILARI
ALTERNATOR BRACKETS



**ALTERNATÖR BAĞLANTILARI
ALTERNATOR BRACKETS**

No	Parça No	Parça Adı	Adet	S.K.	Bas.S.N	Bit.S.N	Y.K.	Not
No	Part no	Description	Qty	SC	S/N from	S/N to	ICA	Note
1	F0182090	VİDA	2					M10x25
2	F0182190	BURÇ	1					
3	S0646464	BRAKET	1					
4	F0182102	VİDA	2					M8x60

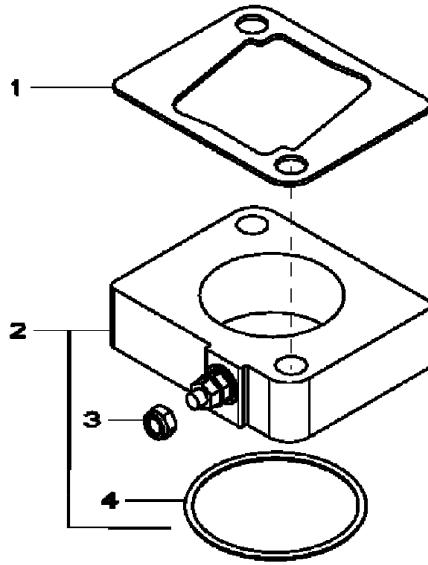
MOTOR SOĞUTMA SIVISI ISITICISI
ENGINE COOLANT HEATER



**MOTOR SOĞUTMA SIVISI ISITICISI
ENGINE COOLANT HEATER**

No	Parça No	Parça Adı	Adet	S.K.	Bas.S.N	Bit.S.N	Y.K.	Not
No	Part no	Description	Qty	SC	S/N from	S/N to	ICA	Note
1	F0182462	TAPA	1					
2	F0182164	O-RİNG	1					
3	F0182296	TAPA	1					
4	F0182642	O-RİNG	1					

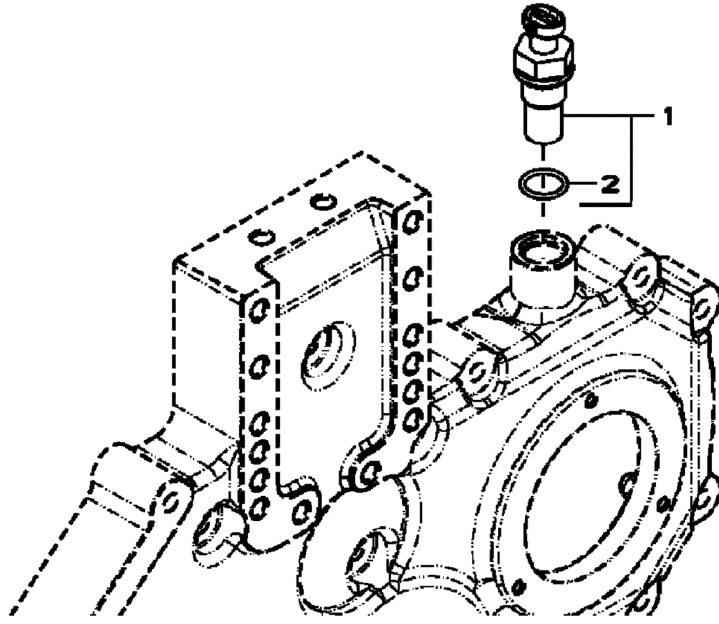
HAVA ÖN ISITMA KİTİ
COLD WEATHER STARTING AIDS



HAVA ÖN ISITMA KİTİ
COLD WEATHER STARTING AIDS

No	Parça No	Parça Adı	Adet	S.K.	Bas.S.N	Bit.S.N	Y.K.	Not
No	Part no	Description	Qty	SC	S/N from	S/N to	ICA	Note
1	F0182301	CONTA	1					
2	F0182476	KIZDIRICI	1					
3	F0182071	SOMUN	1					
4	F0182351	O-RİNG	1					

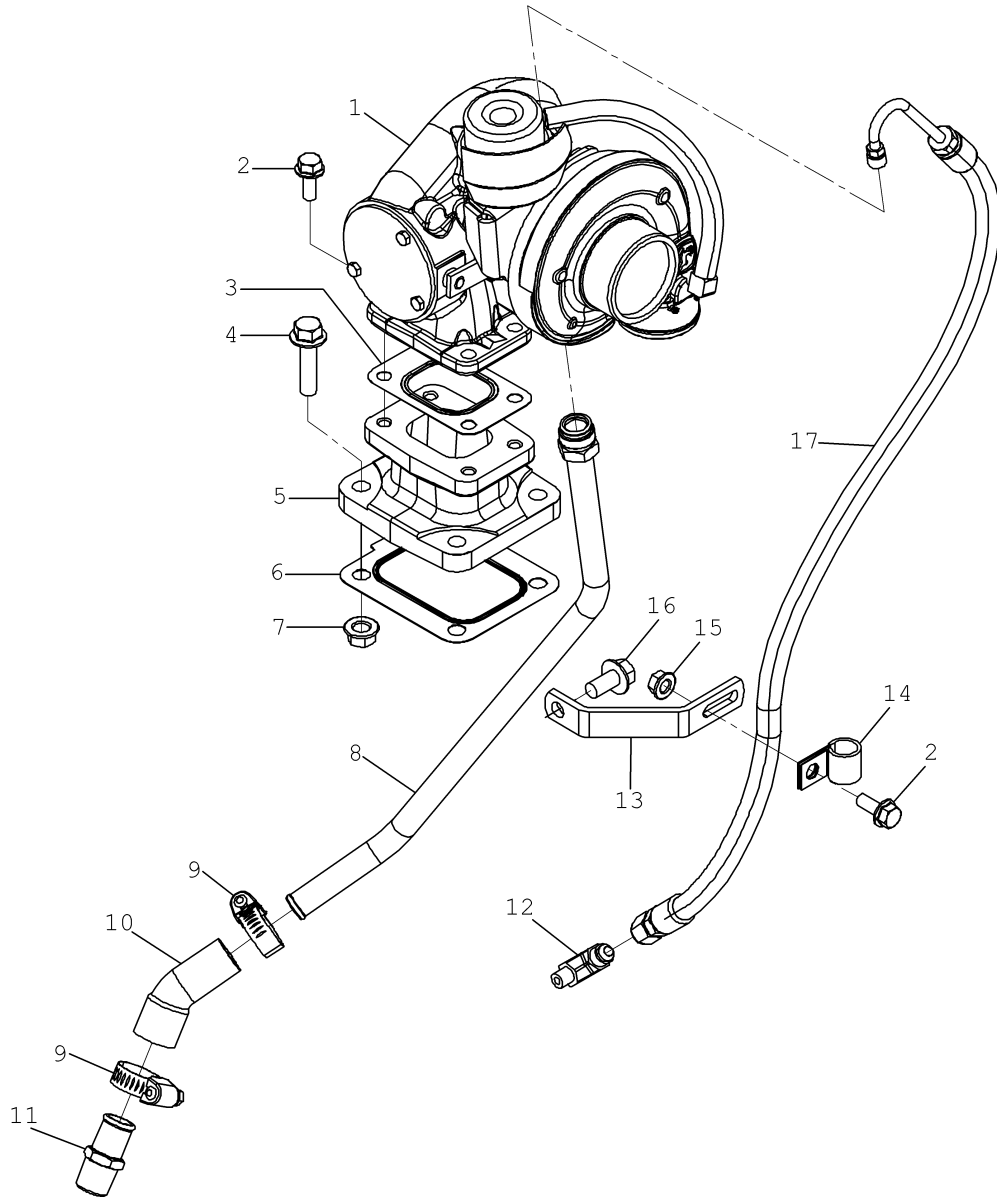
DEVİR SENSÖRÜ BAĞLANTISI
ELECTRONIC TACH DRIVE



**DEVİR SENSÖRÜ BAĞLANTISI
ELECTRONIC TACH DRIVE**

No	Parça No	Parça Adı	Adet	S.K.	Bas.S.N	Bit.S.N	Y.K.	Not
No	Part no	Description	Qty	SC	S/N from	S/N to	ICA	Note
1	F0182530	SENSÖR, HIZ	1					
2	F0182166	O-RİNG	1					

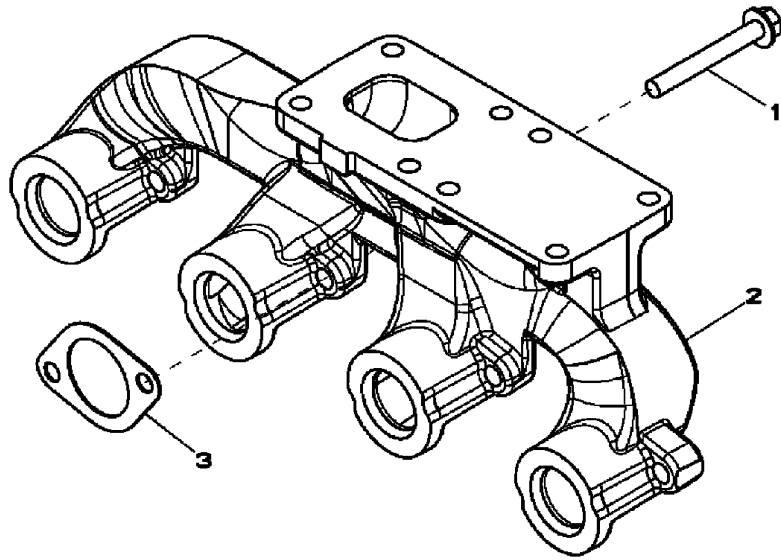
TÜRBOŞARJ VE YAĞ BORULARI TURBOCHARGER AND OIL LINES



**TÜRBOŞARJ VE YAĞ BORULARI
TURBOCHARGER AND OIL LINES**

No	Parça No	Parça Adı	Description	Adet	S.K.	Bas.S.N	Bit.S.N	Y.K.	Not
No	Part no			Qty	SC	S/N from	S/N to	ICA	Note
1	F0182589	TURBOŞARJ	TURBOCHARGER	1					
2	F0182115	CIVATA	SCREW M8x20	5					M8x20
3	F0182317	CONTA	GASKET	1					
4	F0182127	CIVATA	BOLT	4					M10x40
5	F0182319	ARA PARÇA	SPACER	1					
6	F0182129	CONTA	GASKET	1					
7	F0182072	SOMUN	NUT	4					M10
8	F0182333	BORU KOMPLESİ	OIL LINE	1					
9	F0182601	KELEPÇE	CLAMP	2					
10	F0182334	HORTUM	HOSE	1					
11	F0182573	NİPEL	ADAPTER	1					
12	F0182335	NİPEL	FITTING	1					
13	F0182337	BRAKET	BRACKET	1					
14	F0182339	KELEPÇE	CLAMP	1					
15	F0182341	SOMUN	NUT	1					
16	F0182343	CIVATA	SCREW	1					
17	F0182345	HORTUM	HYDRAULIC HOSE	1					

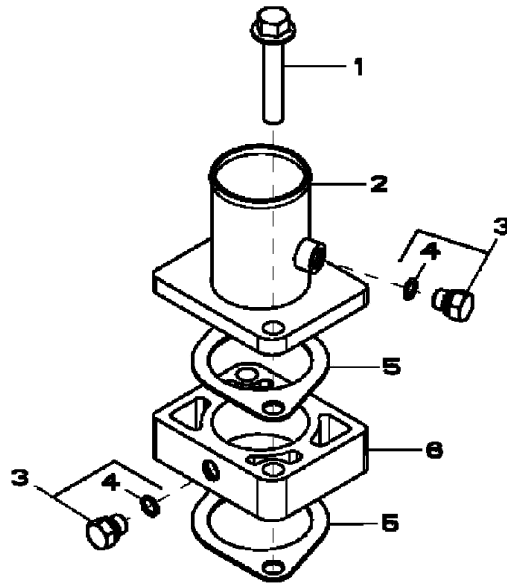
**EGSOZ MANİFOLDU
EXHAUST MANIFOLD**



**EGSOZ MANİFOLDU
EXHAUST MANIFOLD**

No	Parça No	Parça Adı	Adet	S.K.	Bas.S.N	Bit.S.N	Y.K.	Not
No	Part no	Description	Qty	SC	S/N from	S/N to	ICA	Note
1	F0182106	CIVATA	8					M10x80
2	F0182290	EGSOZ MANİFOLDU	1					
3	F0182392	CONTA	4					

EMME MANIFOLDU INTAKE MANIFOLD



**EMME MANİFOLDU
INTAKE MANIFOLD**

No	Parça No	Parça Adı	Adet	S.K.	Bas.S.N	Bit.S.N	Y.K.	Not
No	Part no	Description	Qty	SC	S/N from	S/N to	ICA	Note
1	F0182138	VİDA						
2	F0182468	EMME MANİFOLDU						
3	F0182586	NİPEL						
4	F0182156	O-RİNG						
5	F0182426	CONTA						
6	F0182352	ARA PARÇA						

INDEX

INDEX

Parça No	Sayfa No	No
Part no	Page No	No
6A1A211102	A090.03.01	8
6A1A615235	A090.03.01	24
6A14211076	A090.03.01	7
6A14611295	A090.03.01	39
6A14621047	A090.03.01	53
6A17625130	A090.03.01	38
66311M1065	F110.02.01	5
66311M8120	F110.01.01	1
66311M8130	F110.01.01	2
66422MB092	D020.01.01	17
66422MB092	D020.03.01	17
66422MB092	D020.03.01	18
66422MB092	D020.04.01	17
66422MB092	D020.04.01	18
66422MB275	D050.02.01	15
66422MC125	F140.02.01	14
66422MC125	F140.04.01	37
66422P2078	F070.05.01	5
66422P2078	F070.07.01	5
66422P2078	F070.15.01	5
66422P2078	F070.16.01	5
66533M1180	D150.04.01	7
66533M1180	D150.05.01	7
66533M1190	D150.10.01	13
66533MA110	F160.05.01	54
66533MA135	F140.02.01	13
66533MA135	F140.04.01	38
66533MC110	F160.04.01	25
66533MC110	F160.05.01	25
66533MC110	F160.07.01	24
66644M1180	D150.04.01	11
66644M1180	D150.05.01	11
66644M1190	D150.00.01	8
66644M1190	D150.01.01	8
66644M1190	D150.07.01	17
66644M1190	D150.10.01	12
602002K031	D070.00.01	36
652222B215	D050.01.01	15
661002K130	J010.10.01	3
661002K130	J010.08.01	3
663112A040	F160.04.01	17
663112A040	F160.05.01	17
663112A040	F160.07.01	17
663112A044	F110.01.01	5
663112A044	F110.02.01	9
663112A044	F160.04.01	63
663112A053	F110.01.01	6
663112A053	F110.02.01	8
663112A150	F090.00.01	4
663112A150	F090.04.01	4
663112A155	F150.07.01	4
663112B185	F140.04.01	20
663112K110	F050.34.01	71
663112N097	D020.00.01	13
663112N098	D020.01.01	13
663112N098	D020.03.01	13
663112N098	D020.04.01	13
663112N100	D020.02.01	12
663112N155	F090.00.01	5
663112N155	F090.04.01	5
664222A065	D050.00.01	15
664222A065	F070.05.01	19

Parça No	Sayfa No	No
Part no	Page No	No
664222A065	F070.05.01	53
664222A065	F070.07.01	19
664222A065	F070.15.01	19
664222A065	F070.15.01	53
664222A065	F070.16.01	19
664222A255	F140.03.01	13
664222B070	D040.00.01	11
664222B070	D040.01.01	14
664222B072	D070.00.01	33
664222B092	D020.00.01	17
664222B092	D020.00.01	18
664222B092	D020.01.01	18
664222B092	D020.02.01	23
664222B092	D020.02.01	24
664222B176	F140.04.01	9
664222B176	F150.08.01	48
664222C093	F070.07.01	43
664222C093	F070.16.01	43
664222G095	F050.33.01	3
664222H075	F070.15.01	63
664222H075	F070.16.01	72
664222H080	D040.04.01	13
664222K055	F070.05.01	54
664222K055	F070.07.01	62
664222K055	F070.15.01	54
664222K055	F070.16.01	62
664222K070	F070.05.01	20
664222K070	F070.07.01	20
664222K070	F070.15.01	20
664222K070	F070.16.01	20
664222K075	F070.05.01	35
664222K075	F070.07.01	34
664222K075	F070.15.01	35
664222K075	F070.16.01	34
664222N075	F070.07.01	46
664222N075	F070.16.01	46
664222N095	F070.07.01	47
664222N095	F070.16.01	47
664222N200	F070.05.01	30
664222N200	F070.07.01	30
664222N200	F070.15.01	30
664222N200	F070.16.01	30
664222N205	F070.05.01	31
664222N205	F070.07.01	29
664222N205	F070.15.01	31
664222N205	F070.16.01	29
665332A160	F140.03.01	14
665332B176	F140.04.01	11
665332B210	F160.05.01	16
665332B220	F160.04.01	16
665332B220	F160.07.01	16
665332E175	D150.08.01	6
666442A150	F150.07.01	3
666442A201	F150.09.01	14
666442A325	F150.07.01	7
666442B181	F150.09.01	13
666442E175	D150.08.01	5
666442N240	F150.04.01	26
666442N240	F150.06.01	26
698002M090	A070.06.01	23
01711027	B010.13.01	0
01711028	B010.14.01	0

Parça No	Sayfa No	No
Part no	Page No	No
01712001	B020.01.01	0
01719002	B070.02.01	0
01750014	A080.04.01	1
01750015	A090.03.01	1
01756006	Y040.00.03	0
01759000	D030.00.01	0
01759001	D030.01.01	0
01759002	D020.00.01	0
01759003	D020.02.01	0
01759004	D020.03.01	0
01759005	D020.04.01	0
01759006	D020.01.01	0
01760000	D110.01.01	0
01760001	D110.02.01	0
01760002	D110.03.01	0
01760003	D110.04.01	0
01760004	D110.05.01	0
01760005	D110.06.01	0
01760006	D110.07.01	0
01760008	D110.00.01	0
01761000	D060.01.01	0
01761002	D060.00.01	0
01767000	B040.00.01	0
01773001	D150.07.01	0
01773004	D150.09.01	0
01773005	D150.10.01	0
01773006	D150.04.01	0
01773007	D150.05.01	0
01773008	D150.00.01	0
01773009	D150.01.01	0
01793001	K050.02.01	0
01793003	K050.03.01	0
01813168	D010.00.01	19
01822821	C050.02.01	1
01822855	C020.01.01	1
01822856	C030.01.01	1
01822911	C020.01.01	54
01822911	C030.01.01	54
01822913	C020.01.01	43
01822913	C030.01.01	43
01825552	A070.06.01	1
01825555	F010.02.01	1
01826155	B080.01.01	44
01826468	B080.01.01	66
01826518	B080.01.01	27
01829031	C130.01.01	2
01829064	A020.06.01	43
01829066	A020.06.01	44
01829106	C110.01.01	0
01829107	C120.01.01	0
01829108	C110.01.01	3
01829108	C120.01.01	24
01829123	C130.01.01	22
01829133	C110.01.01	25
01829133	C120.01.01	9
01829287	F040.04.01	12
01829288	F040.06.01	6
01829293	C130.01.01	6
01829294	C130.01.01	10
01829320	A090.03.01	2
01829321	A080.04.01	2
01829663	C090.01.01	1

INDEX

Parça No	Sayfa No	No
Part no	Page No	No
01829664	C080.01.01	1
01829665	A080.02.01	1
01829665	A080.02.01	1
01829666	C050.02.01	8
01829667	C090.01.01	30
01829668	C080.01.01	12
01829672	A020.06.01	42
01829673	A080.04.01	27
01829673	A090.03.01	58
01829676	C130.01.01	0
01829677	B100.03.01	14
01829678	B100.03.01	1
01832305	B020.01.01	2
01833175	B070.01.01	4
01833175	B070.02.01	4
01833180	B070.01.01	31
01833180	B070.02.01	31
01833451	B050.00.01	1
01833455	B060.00.01	1
01834338	D080.00.01	17
01834343	D080.00.01	17
01835226	D090.00.01	1
01835531	D090.02.01	15
01836525	D100.00.01	1
01852810	K030.00.01	1
01853047	K010.08.01	25
01853047	K010.09.01	25
01853072	C120.01.01	27
01853090	K020.16.01	57
01853090	K020.17.01	57
01853134	K020.16.01	3
01853134	K020.17.01	3
01853408	K020.16.01	2
01853408	K020.17.01	2
01853416	K010.02.07	11
01853417	K010.02.07	10
01853531	K010.00.04	1
01890129	D120.00.01	10
01890130	D120.00.01	23
01890138	B050.00.01	20
01890155	J010.10.01	27
01890155	J010.08.01	27
01890156	J010.10.01	56
01890156	J010.08.01	56
01890157	J010.10.01	53
01890157	J010.08.01	53
01890224	D030.02.01	2
01890405	A010.09.01	28
01890454	Y010.04.01	30
01890698	B090.03.01	1
01890698	B090.04.01	1
01890699	B090.03.01	12
01890699	B090.04.01	12
01894109	B010.14.01	1
01910109	A070.06.01	7
01910109	F010.02.01	16
01910232	D010.00.01	20
01911163	D010.00.01	25
01911323	D010.00.01	11
01911333	D010.00.01	14
01911602	D010.00.01	1
01920365	F080.00.01	20

Parça No	Sayfa No	No
Part no	Page No	No
01920365	F080.01.01	20
01920487	B010.13.01	1
01920488	B010.14.01	2
01922549	F010.02.01	5
01923856	B080.01.01	37
01924503	C020.01.01	3
01924513	C030.01.01	3
01925547	A070.06.01	2
01929185	F030.06.01	21
01929185	F030.07.01	21
01929237	F020.07.01	16
01929237	F020.09.01	16
01929237	F020.10.01	16
01929237	F020.11.01	16
01929245	K010.02.06	1A
01929246	F030.06.01	84
01929246	F030.07.01	84
01929277	F030.06.01	29
01929277	F030.07.01	29
01929278	F040.04.01	26
01929278	F040.06.01	26
01929279	F040.04.01	25
01929279	F040.06.01	25
01929299	F020.07.01	6
01929299	F020.09.01	6
01929299	F020.10.01	6
01929299	F020.11.01	6
01930378	D080.00.01	18
01930383	D080.00.01	18
01934189	D090.00.01	2
01935230	D090.02.01	1
01935514	D090.02.01	2
01936211	D100.00.01	6
01936222	D100.00.01	5
01936525	D100.00.01	2
01990044	A090.03.01	80
01990045	A090.03.01	34
01990096	A010.09.01	20
01990097	A010.09.01	17
01990104	A010.09.01	9
01990105	A010.09.01	25
01990160	B020.00.01	3
01990163	B020.00.01	11
01990203	B020.00.01	2
01990205	B020.01.01	3
01990220	B020.01.01	13
01990243	B020.00.01	16
01990244	B020.00.01	15
01990812	D010.00.03	9
01990989	F080.00.01	28
01990989	F080.01.01	29
01991011	F010.02.01	10
01991012	F010.02.01	7
01991091	F010.02.01	26
01991099	A070.06.01	10
01991222	B070.01.01	20
01991222	B070.02.01	20
01991277	C130.01.01	8
01991281	C130.01.01	17
01991282	C130.01.01	13
01991350	F020.07.01	23
01991350	F020.09.01	23

Parça No	Sayfa No	No
Part no	Page No	No
01991350	F020.10.01	23
01991350	F020.11.01	23
01991397	F030.06.01	44
01991397	F030.07.01	44
01991398	F030.06.01	37
01991398	F030.07.01	37
01991403	F030.06.01	27
01991403	F030.07.01	27
01991404	F030.06.01	26
01991404	F030.07.01	26
01991454	C140.02.01	6
01991464	C140.03.01	6
01991478	A090.03.01	50
01991529	F050.33.01	16
01991529	F050.34.01	17
01991535	A030.00.01	2
01991535	A030.01.01	2
01991575	F030.06.01	16
01991575	F030.07.01	16
01991576	F030.06.01	15
01991576	F030.07.01	15
01991577	F030.06.01	18
01991577	F030.07.01	18
01991592	C110.01.01	2
01991593	C120.01.01	15
01991627	A040.00.01	13
01992200	D020.00.01	15
01992200	D020.01.01	15
01992200	D020.02.01	15
01992200	D020.03.01	15
01992200	D020.04.01	15
01992208	D010.00.02	9
01992636	C040.00.01	22
01992638	C030.01.01	16
01992639	C020.01.01	16
01992724	J010.10.01	59
01992724	J010.08.01	59
01992725	J010.10.01	57
01992725	J010.08.01	57
01992726	J010.10.01	54
01992726	J010.08.01	54
01992776	A040.00.01	17
01992777	A040.00.01	14
01992810	B020.00.01	22
01992830	B040.00.01	4
01992831	B040.00.01	6
01992833	B090.03.01	6
01992833	B090.04.01	6
01992834	B090.03.01	14
01992834	B090.04.01	14
01992883	A030.00.01	15
01992883	A030.01.01	15
01992936	A040.00.01	1
01992937	A040.00.01	3
01992938	A040.00.01	2
1992939	A050.06.01	1
01992940	J010.10.01	60
01992940	J010.08.01	60
01992951	A020.06.01	18
01992952	A020.06.01	9
01992954	A020.06.01	1
01992955	A020.06.01	25

INDEX

Parça No	Sayfa No	No
Part no	Page No	No
01992956	A020.06.01	23
01992962	F040.04.01	6
01992963	K020.16.01	64
01992963	K020.17.01	60
01992967	F040.04.01	7
01992967	F040.06.01	7
01992970	B070.01.01	13
01992970	B070.02.01	13
01992984	F040.03.01	5
01993000	B080.01.01	8
01993002	B080.01.01	26
01993003	B080.01.01	28
01993004	K020.16.01	29
01993004	K020.17.01	29
01993005	B080.01.01	71
01993006	B080.01.01	16
01993007	B080.01.01	12
01993015	F040.04.01	9
01993015	F040.06.01	9
01993020	A030.00.01	5
01993020	A030.01.01	5
1993021	A050.06.01	2
01993021	A090.03.01	37
01993033	D010.00.01	38
01993034	D010.00.01	39
01993035	D010.00.01	4
01993036	D010.00.01	8
01993065	F040.02.01	8
01993066	F040.02.01	2
01993067	A020.06.01	45
01993091	F150.08.01	16
01993091	F150.09.01	49
01993092	F150.08.01	21
01993092	F150.09.01	50
01993603	A020.06.01	14
02000221	D090.00.01	12
02000221	D090.02.01	17
02000270	D020.00.01	28
02000270	D020.02.01	33
02000285	J010.10.01	32
02000285	J010.08.01	32
02000286	E070.00.01	21
02000991	B020.00.01	10
02001070	F030.06.01	82
02001070	F030.07.01	82
02001519	E010.06.01	14
02001607	D010.00.01	10
02002227	D070.00.01	10
02002345	B080.01.01	1
02002494	F030.06.01	73
02002494	F030.07.01	73
02002510	F020.07.01	37
02002510	F020.09.01	37
02002510	F020.10.01	37
02002510	F020.11.01	37
02002825	B020.00.01	1
02002827	B020.00.01	20
02002851	C050.02.01	23
02002851	F030.06.01	67
02002851	F030.07.01	67
02002851	F060.07.01	52
02002851	F060.09.01	52

Parça No	Sayfa No	No
Part no	Page No	No
02002851	F060.11.01	52
02002851	F060.13.01	52
02002853	F040.03.01	12
02002876	B070.01.01	14
02002907	B080.01.01	51
02002980	F040.04.01	23
02002980	F040.06.01	23
02003005	F020.07.01	10
02003005	F020.09.01	10
02003005	F020.10.01	10
02003005	F020.11.01	10
2003130	A050.06.01	3
02003214	F040.06.01	31
02009083	K050.02.01	5
02009083	K050.03.01	5
02009086	K050.02.01	4
02009086	K050.03.01	4
02009087	A080.02.01	18
02009087	A080.02.01	18
02010274	K010.08.01	29
02010274	K010.09.01	29
02010320	D160.00.01	27
02010320	D160.01.01	27
02010518	F010.02.01	23
02010535	A070.06.01	5
02010535	F010.02.01	2
02010789	D040.04.01	33
02010789	D050.01.01	41
02010789	D050.02.01	41
02010997	D040.01.01	10
02010997	D040.03.01	10
02011040	D150.06.01	12
02011528	D010.00.02	3
02011533	D090.02.01	5
02011712	B020.00.01	27
02011713	B020.00.01	25
02011758	F070.05.01	25
02011758	F070.07.01	25
02011758	F070.15.01	25
02011758	F070.16.01	25
02011922	F180.00.01	4
02012129	F020.07.01	21
02012129	F020.09.01	21
02012129	F020.10.01	21
02012129	F020.11.01	21
02012142	F080.02.01	12
02012142	F080.03.01	12
02012170	A020.06.01	36
02012329	A040.00.01	10
02012352	C040.00.01	31
02012353	C040.00.01	34
02012372	F040.03.01	1
02012372	F040.04.01	4
02012526	K010.01.03	21
02012578	B080.01.01	29
02012579	B080.01.01	58
02012580	B080.01.01	20
02012581	B080.01.01	19
02012582	B080.01.01	25
02012601	B080.01.01	61
2012636	A050.06.01	4
02012649	B090.03.01	8

Parça No	Sayfa No	No
Part no	Page No	No
02012649	B090.03.01	19
02012649	B090.04.01	8
02012649	B090.04.01	19
02012790	C110.01.01	4
02012835	A050.06.01	5
02012836	A050.06.01	6
02012847	E010.06.01	18
02012848	E010.06.01	17
02012863	F010.02.01	49
02012873	K020.16.01	60
02012924	A070.06.01	12
02014022	F010.02.01	6
02019042	E070.00.01	2
02019066	E070.00.01	5
02019079	E070.00.01	16
02020114	C090.01.01	2
02020189	F070.15.01	60
02020189	F070.16.01	69
02020340	D160.00.01	32
02020341	D160.00.01	34
02020665	D040.04.01	4
02020714	F030.06.01	88
02020714	F030.07.01	88
02020809	F020.07.01	36
02020809	F020.09.01	36
02020809	F020.10.01	36
02020809	F020.11.01	36
02021003	D070.00.01	5
02021007	D070.00.01	43
02021009	D070.00.01	38
02021012	D070.00.01	4
02021034	B050.01.01	10
02021075	D040.00.01	7
02021075	D040.01.01	7
02021075	D040.02.01	7
02021075	D040.03.01	7
02021076	D040.00.01	6
02021076	D040.01.01	6
02021076	D040.02.01	6
02021076	D040.03.01	6
2021088	A050.06.01	7
02021111	D010.00.02	8
02021151	F050.33.01	58
02021151	F050.34.01	56
02021199	D010.00.01	33
02021278	D150.06.01	8
02021297	F180.00.01	8
02021301	D070.00.01	17
02021304	D070.00.01	25
02021325	D020.00.01	33
02021325	D020.01.01	33
02021325	D020.02.01	17
02021325	D020.03.01	33
02021325	D020.04.01	33
02021372	C040.00.01	23
02021405	B050.01.01	2
02021411	F020.07.01	35
02021411	F020.09.01	35
02021411	F020.10.01	35
02021411	F020.11.01	35
02021415	F030.06.01	23
02021415	F030.07.01	23

INDEX

Parça No	Sayfa No	No
Part no	Page No	No
02021442	F020.07.01	26
02021442	F020.09.01	26
02021442	F020.10.01	26
02021442	F020.11.01	26
02021473	F060.07.01	36
02021473	F060.08.01	36
02021473	F060.09.01	36
02021473	F060.10.01	36
02021473	F060.11.01	36
02021473	F060.12.01	36
02021473	F060.13.01	36
02021473	F060.14.01	36
02021504	A070.06.01	19
02021512	C050.02.01	21
02021517	K010.08.01	31
02021517	K010.09.01	31
02021523	K010.08.01	30
02021523	K010.09.01	30
02021528	F030.06.01	13
02021528	F030.07.01	13
02021534	D150.07.01	4
02021535	D150.07.01	5
02021536	D150.07.01	9
02021537	D150.07.01	10
02021549	B070.01.01	8
02021549	B070.02.01	8
02021555	C060.03.01	3
02021565	A040.00.01	7
02021585	B050.00.01	2
02021591	F020.07.01	7
02021591	F020.09.01	7
02021591	F020.10.01	7
02021591	F020.11.01	7
02021610	F030.06.01	12
02021610	F030.07.01	12
02021611	F030.06.01	11
02021611	F030.07.01	11
02021651	F040.04.01	18
02021651	F040.06.01	18
02021665	J010.10.01	69
02021665	J010.08.01	69
02021691	F100.01.01	3
2021723	A050.06.01	8
02021724	H010.00.01	28
02021724	H010.03.01	30
02021737	D020.00.01	37
02021737	D020.01.01	37
02021737	D020.02.01	36
02021737	D020.04.01	37
02021744	C110.01.01	27
02021744	C120.01.01	26
02021770	K010.08.01	27
02021770	K010.09.01	27
02025205	D020.03.01	37
02030103	F160.04.01	18
02030103	F160.04.01	56
02030103	F160.05.01	18
02030103	F160.07.01	18
02030103	F160.07.01	56
02030106	F160.05.01	43
02030345	D160.01.01	32
02030403	D010.00.02	2

Parça No	Sayfa No	No
Part no	Page No	No
02030425	F070.05.01	24
02030425	F070.07.01	24
02030425	F070.15.01	24
02030425	F070.16.01	24
02030426	F070.05.01	9
02030426	F070.07.01	9
02030426	F070.15.01	9
02030426	F070.16.01	9
02030443	F070.05.01	10
02030443	F070.07.01	10
02030443	F070.15.01	10
02030443	F070.16.01	10
02030444	F070.05.01	23
02030444	F070.07.01	23
02030444	F070.15.01	23
02030444	F070.16.01	23
02030523	F070.05.01	38
02030523	F070.07.01	48
02030523	F070.15.01	38
02030523	F070.16.01	48
02030527	F150.08.01	35
02030527	F150.09.01	35
02030560	F210.01.01	14
02030562	K010.08.01	32
02030562	K010.09.01	32
02030563	D060.00.01	2
02030569	K020.16.01	18
02030569	K020.17.01	18
02030570	K020.16.01	14
02030570	K020.17.01	14
02030667	A030.00.01	32
02030667	A030.01.01	33
02040065	B070.01.01	16
02040065	B070.02.01	16
2040076	A050.06.01	9
02040190	K020.16.01	28
02040190	K020.17.01	28
02040192	B080.01.01	4
02040218	B100.03.01	13
02040219	C030.01.01	11
02040221	C020.01.01	11
02040234	B100.03.01	9
02040238	B100.03.01	11
02040269	C050.02.01	26
02040270	C050.02.01	27
02040272	C050.02.01	7
02040285	A080.02.01	8
02040285	A080.02.01	8
02040286	A080.02.01	9
02040286	A080.02.01	9
02040294	B100.03.01	16
02040295	B100.03.01	3
02040296	B100.03.01	15
02040299	B100.03.01	2
02040400	C110.01.01	10
02040400	C120.01.01	1
02040401	J010.10.01	67
02040401	J010.08.01	67
02040402	J010.10.01	68
02040402	J010.08.01	68
02040404	J010.10.01	51
02040404	J010.08.01	71

Parça No	Sayfa No	No
Part no	Page No	No
02040560	B080.01.01	72
02040609	B100.03.01	12
02040626	C060.01.01	1
02040635	A010.09.01	5
02040640	C110.01.01	5
02040641	C110.01.01	1
02040642	C120.01.01	16
02040643	C120.01.01	2
02040644	C110.01.01	7
02040645	C120.01.01	5
02040646	C110.01.01	8
02040646	C120.01.01	19
02040678	B080.01.01	5
02040685	B080.01.01	41
02040813	C090.01.01	36
02040813	K020.17.01	41
02041024	B060.00.01	12
02041100	B050.00.01	3
02042000	B050.00.01	21
02043001	A080.04.01	30
02043001	A090.03.01	61
02043006	A080.02.02	3
02043007	A080.04.01	28
02043007	A090.03.01	59
02043020	C090.01.01	39
02043021	C090.01.01	6
02043022	C090.01.01	5
02043022	K010.08.01	1
02043022	K010.09.01	1
02043023	C090.01.01	11
02043024	C090.01.01	9
02043025	C090.01.01	17
02043027	C090.01.01	14
02043028	B080.01.01	4
02043029	C090.01.01	20
02043030	C050.02.01	9
02043032	C090.01.01	31
02043033	C080.01.01	13
02043034	C080.01.01	2
02043035	C080.01.01	6
02043038	C140.02.01	7
02043038	C140.03.01	7
02043039	C090.01.01	34
02043040	C060.01.01	6
02043040	C060.03.01	12
02043046	C050.02.01	18
02043050	A080.02.01	2
02043050	A080.02.01	2
02043051	A080.02.01	4
02043051	A080.02.01	4
02043052	A080.02.01	5
02043052	A080.02.01	5
02043054	K010.08.01	18
02043054	K010.09.01	18
02043055	C080.01.01	16
02043056	A080.04.01	4
02043056	A090.03.01	15
02043062	A080.02.02	4
06010297	D060.02.01	0
06010624	D020.00.01	2
06010625	D020.02.01	2
06010637	D020.00.01	19

INDEX

Parça No	Sayfa No	No
Part no	Page No	No
06010646	D020.04.01	2
06010647	D020.01.01	2
06010802	D020.03.01	2
06010803	D020.03.01	19
06020253	D030.00.01	1
06020298	D030.01.01	1
06020358	D060.01.01	10
06020359	D060.02.01	6
06020642	D020.00.01	24
06020642	D020.02.01	30
06020701	D020.03.01	24
06020703	D060.00.01	3
06020704	D020.00.01	23
06020705	D020.04.01	24
06020706	D020.04.01	19
06020707	D020.04.01	23
06020708	D020.01.01	24
06020709	D020.01.01	19
06020710	D020.01.01	23
06020711	D020.03.01	23
06021018	D020.02.01	31
06100101	D140.00.01	0
06119100	D120.00.01	0
06120012	D140.00.01	2
06120200	D130.00.01	1
06123010	D110.00.01	2
06123501	D110.01.01	2
06124000	D110.02.01	2
06124000	D110.02.01	2
06124020	D110.02.01	2
06125001	D110.03.01	1
06126000	D110.04.01	2
06126130	D110.04.01	2
06127001	D110.05.01	1
06128000	D110.06.01	2
06128001	D110.06.01	2
06128900	D110.07.01	1
06128901	D110.07.01	1
06129050	D120.00.01	20
06129100	D120.00.01	5
06190817	D140.00.01	8
06191120	D110.09.01	1
06210520	D040.00.01	0
06210520	D040.01.01	0
06210522	D040.00.01	13
06210522	D040.01.01	16
06210530	D040.02.01	0
06210530	D040.03.01	0
06210532	D040.02.01	15
06210532	D040.03.01	16
06210600	D040.04.01	0
06220502	D040.00.01	15
06220502	D040.01.01	18
06220502	D040.02.01	17
06220502	D040.03.01	18
06220510	D040.00.01	16
06220510	D040.01.01	19
06220530	D040.02.01	18
06220530	D040.03.01	19
06220600	D040.04.01	6
06220610	D040.04.01	32
06220620	D040.04.01	26

Parça No	Sayfa No	No
Part no	Page No	No
06290600	D040.04.01	10
06290610	D040.04.01	9
06290620	D040.04.01	36
06290630	D040.04.01	2
06310510	D050.03.01	0
06310921	D050.00.01	0
06311606	D050.02.01	0
06311607	D050.01.01	0
06320815	D050.03.01	1
06320921	D050.00.01	3
06320925	D050.00.01	2
06321605	D050.01.01	21
06321605	D050.02.01	21
06321616	D050.01.01	19
06321616	D050.02.01	19
06321621	D050.02.01	5
06321622	D050.01.01	5
06390026	D050.03.01	8
06390055	D050.01.01	36
06390055	D050.02.01	36
06390056	D050.01.01	20
06390056	D050.02.01	20
06510100	D170.00.01	0
06520100	D170.00.01	1
06811111	D070.00.01	0
06890201	D070.00.01	2
06890206	D070.00.01	15
06890211	D070.00.01	6
06890216	D070.00.01	14
06890221	D070.00.01	11
07500021	D150.06.01	0
07520200	D150.01.01	1
07520250	D150.00.01	1
07800010	D160.00.01	0
07800030	D160.01.01	0
07800040	D160.02.01	0
07810000	D160.00.01	2
07810001	D160.00.01	3
07810001	D160.01.01	3
07810001	D160.02.01	3
07810030	D160.01.01	2
07810030	D160.02.01	2
07820000	D160.00.01	4
07820000	D160.01.01	4
07820000	D160.02.01	4
07820500	D160.00.01	13
07820500	D160.01.01	13
07820500	D160.02.01	13
07820580	D160.00.01	30
07820582	D160.00.01	30
07820600	D160.00.01	30
07820700	D160.01.01	30
07820800	D160.02.01	28
07890020	D160.00.01	10
07890020	D160.01.01	10
07890020	D160.02.01	10
09800041	D150.06.01	1
09800047	D150.07.01	1
09800051	D150.06.01	3
09800057	D150.07.01	3
09890065	D150.06.01	14
09890066	D150.06.01	14

Parça No	Sayfa No	No
Part no	Page No	No
09900350	D050.01.01	35
09900350	D050.02.01	35
09900400	D060.02.01	2
15020083	G210.00.01	0
15020137	G130.00.01	0
15020237	G140.00.01	0
15020470	G100.00.01	0
15020471	G110.00.01	0
15020600	G220.00.02	0
15020610	G220.00.01	0
15120275	G180.01.01	0
15120500	G080.00.01	0
15120640	G180.00.01	0
15120910	G250.00.01	0
15220161	G270.00.02	0
15220164	G270.00.01	0
15220200	G280.00.01	0
15320438	G160.00.01	0
15320700	G265.01.01	0
15420062	G120.00.01	0
15420160	G190.00.01	0
15420201	G230.00.01	0
15420411	G240.00.01	0
15520217	G265.02.01	0
15520231	G170.00.01	0
15520301	G140.01.01	0
15520311	G130.01.01	0
15525101	G150.00.01	0
15620050	G220.00.03	0
15620150	G200.00.01	0
15620151	G200.00.01	9
20042010	G200.00.01	11
20100500	G200.00.01	20
20100500	G220.00.03	7
20100600	G270.00.02	8
20100600	G280.00.01	7
20102055	G270.00.01	8
20105600	G220.00.01	6
20105600	G220.00.02	6
20109441	F100.01.01	2
20110900	G250.00.01	4
20114115	G160.00.01	22
20120450	G120.00.01	6
20120450	G130.00.01	9
20120450	G140.00.01	9
20120450	G190.00.01	9
20120450	G230.00.01	6
20120450	G240.00.01	8
20120500	G100.00.01	7
20120500	G110.00.01	7
20120500	G210.00.01	13
20120600	G080.00.01	5
20120600	G180.00.01	8
20120600	G180.01.01	8
20120755	G130.01.01	16
20120755	G140.01.01	16
20120755	G170.00.01	8
20120755	G265.02.01	8
20180051	G150.00.01	23
20180063	G265.01.01	8
20200700	G200.00.01	16
20200700	G220.00.03	12

INDEX

Parça No	Sayfa No	No
Part no	Page No	No
20203010	G270.00.02	12
20203010	G280.00.01	1
20203020	G270.00.01	12
20210900	G220.00.01	18
20210900	G220.00.02	18
20210900	G250.00.01	17
20211075	G150.00.01	7
20211087	G265.01.01	14
20211105	G130.01.01	5
20211105	G140.01.01	5
20211105	G240.00.01	18
20211540	G160.00.01	10
20214070	G120.00.01	19
20214070	G190.00.01	17
20214070	G230.00.01	18
20214075	G130.00.01	19
20214075	G140.00.01	19
20214080	G100.00.01	18
20214080	G110.00.01	18
20214080	G210.00.01	8
20214090	G080.00.01	18
20214095	G180.00.01	19
20214095	G180.01.01	18
20221000	G170.00.01	23
20221000	G265.02.01	23
20306000	G220.00.01	14
20306000	G220.00.02	14
20306000	G250.00.01	13
20314070	G120.00.01	15
20314070	G190.00.01	13
20314070	G230.00.01	14
20314070	G240.00.01	14
20314075	G130.00.01	15
20314075	G140.00.01	15
20314080	G100.00.01	14
20314080	G110.00.01	14
20314080	G210.00.01	4
20314090	G080.00.01	14
20314095	G180.00.01	14
20314095	G180.01.01	14
20314100	G130.01.01	4
20314100	G140.01.01	4
20314100	G170.00.01	17
20314100	G265.02.01	17
20314115	G265.01.01	17
20314116	G160.00.01	4
20506001	F100.01.01	7
20700200	G220.00.03	3
20700400	G120.00.01	12
20700400	G220.00.01	12
20700400	G220.00.02	12
20700400	G230.00.01	21
20700400	G240.00.01	3
20700410	G120.00.01	3
20700410	G220.00.01	3
20700410	G220.00.02	3
20700410	G230.00.01	11
20700500	G130.00.01	3
20700500	G140.00.01	3
20810900	G250.00.01	8
20814200	G220.00.01	13
20814200	G220.00.02	13

Parça No	Sayfa No	No
Part no	Page No	No
20842000	G280.00.01	6
20842019	G270.00.02	11
20842020	G220.00.03	11
20842030	G230.00.01	13
20842037	G270.00.01	11
20842051	G190.00.01	12
20842115	G240.00.01	13
20842240	G210.00.01	3
20842618	G265.01.01	13
20842620	G130.01.01	3
20842620	G140.01.01	3
20843112	G120.00.01	14
20843210	G080.00.01	11
20843220	G100.00.01	12
20843220	G110.00.01	12
20843250	G150.00.01	3
20843260	G130.00.01	13
20843260	G140.00.01	13
20843300	G180.00.01	13
20843300	G180.01.01	13
20843310	G170.00.01	13
20843310	G265.02.01	13
20843401	G160.00.01	3
20920045	G200.00.01	10
20920050	G220.00.03	5
20920068	G270.00.01	5
20920078	G270.00.02	5
20920175	G265.02.01	4
20920176	G170.00.01	4
20920181	G130.01.01	13
20920191	G140.01.01	13
20920200	G280.00.01	13
20920358	G265.01.01	4
20920373	G160.00.01	15
20920534	G120.00.01	2
20920558	G190.00.01	2
20920561	G230.00.01	3
20920577	G240.00.01	2
20920583	G130.00.01	4
20920588	G140.00.01	4
20920910	G250.00.01	1
20921017	G110.00.01	3
20921027	G100.00.01	3
20921060	G220.00.02	4
20921070	G220.00.01	4
20921150	G080.00.01	3
20921162	G210.00.01	19
20921212	G180.01.01	4
20921223	G180.00.01	4
20921400	G150.00.01	17
40010031	Y020.66.01	1
40010032	Y020.67.01	1
40050029	Y020.68.01	1
40050081	Y020.69.01	1
40050104	Y020.70.01	5
40050218	Y020.71.01	1
40050219	Y020.72.01	1
45151515	G200.00.01	6
45151516	G200.00.01	2
45151701	F100.01.01	19
45151714	F100.01.01	15
45151760	F100.01.01	12

Parça No	Sayfa No	No
Part no	Page No	No
45151761	F100.01.01	20
45200275	D040.04.01	14
45240741	F050.33.01	36
45240743	F050.34.01	36
45250101	F140.02.01	39
45250101	F140.04.01	34
45250101	F160.04.01	51
45250101	F160.07.01	51
45250111	F140.02.01	40
45250111	F140.04.01	28
45250163	F110.01.01	7
45250163	F110.02.01	10
45250559	F050.33.01	57
45250649	F070.07.01	40
45250649	F070.16.01	40
45250659	F070.07.01	39
45250659	F070.16.01	39
45250813	D020.00.01	12
45250813	D020.01.01	12
45250813	D020.02.01	25
45250813	D020.03.01	12
45250813	D020.04.01	12
45250991	F050.34.01	65
45251447	F090.00.01	7
45251447	F090.04.01	7
45251461	F090.03.01	1
45251463	F090.00.01	6
45251463	F090.04.01	6
45251466	F090.00.01	8
45251466	F090.04.01	8
45251467	F210.01.01	3
45251468	F210.01.01	2
45251469	F210.01.01	1
45251565	F070.05.01	29
45251565	F070.07.01	35
45251565	F070.15.01	29
45251565	F070.16.01	35
45251570	F070.05.01	1
45251570	F070.07.01	1
45251570	F070.15.01	1
45251570	F070.16.01	1
45251610	F120.03.01	7
45251653	F150.08.01	1
45251653	F150.09.01	1
45251670	F140.02.01	21
45251670	F140.04.01	36
45251671	F140.02.01	20
45251671	F140.04.01	35
45251674	F070.07.01	44
45251674	F070.16.01	44
45251676	F150.08.01	2
45251676	F150.09.01	2
45251679	F140.02.01	27
45251679	F140.04.01	33
45251684	F070.05.01	17
45251684	F070.07.01	17
45251684	F070.15.01	17
45251684	F070.16.01	17
45251688	F070.07.01	45
45251688	F070.16.01	45
45251689	F070.05.01	15
45251689	F070.07.01	15

INDEX

Parça No	Sayfa No	No
Part no	Page No	No
45251689	F070.15.01	15
45251689	F070.16.01	15
45251691	F070.05.01	18
45251691	F070.07.01	18
45251691	F070.15.01	18
45251691	F070.16.01	18
45251692	F160.04.01	35
45251692	F160.05.01	36
45251692	F160.07.01	35
45251693	F160.04.01	34
45251693	F160.05.01	35
45251693	F160.07.01	34
45251694	F070.05.01	16
45251694	F070.07.01	16
45251694	F070.15.01	16
45251694	F070.16.01	16
45251697	F160.04.01	20
45251697	F160.05.01	20
45251697	F160.07.01	20
45251698	F160.04.01	27
45251698	F160.05.01	27
45251698	F160.07.01	26
45251699	F160.04.01	26
45251699	F160.05.01	26
45251699	F160.07.01	25
45251776	F150.07.01	8
45251781	F070.05.01	28
45251781	F070.07.01	28
45251781	F070.15.01	28
45251781	F070.16.01	28
45290649	F190.02.01	11
50103015	K020.16.01	4
50103015	K020.17.01	4
50106425	K020.16.01	5
50106425	K020.17.01	5
50106450	K020.16.01	10
50106450	K020.17.01	10
50106605	K020.16.01	8
50106605	K020.17.01	8
50106625	K020.16.01	16
50106625	K020.17.01	16
50106711	K020.16.01	9
50106711	K020.17.01	9
50107000	K010.00.08	1
50107002	D050.02.01	1
50607000	D010.00.02	7
50607000	E070.00.01	17
50607000	K020.16.01	6E
50607000	K020.17.01	6E
50607001	D010.00.02	16
50607001	K020.16.01	6B
50607001	K020.17.01	6B
50633200	F020.10.01	32
50633202	F020.07.01	32
50633202	F020.09.01	32
50633202	F020.11.01	32
50633203	F020.07.01	43
50633203	F020.09.01	46
50633203	F020.11.01	45
50633204	F020.09.01	47
50633204	F020.11.01	46
50903000	D010.00.02	17

Parça No	Sayfa No	No
Part no	Page No	No
50903000	E070.00.01	18
50903000	K020.16.01	6C
50903000	K020.17.01	6C
50909027	K010.01.03	31
51011700	A080.04.01	16
51011700	A090.03.01	6
51011700	J010.10.01	31
51011700	J010.08.01	31
51011700	K010.01.03	27
51011700	K020.16.01	11
51011700	K020.17.01	11
51012200	B070.02.01	32
51012200	F070.05.01	32
51012200	F070.07.01	31
51012200	F070.15.01	32
51012200	F070.16.01	31
51012200	F090.00.01	9
51012200	F090.04.01	9
51012200	F120.02.01	7
51012200	F120.06.01	7
51012200	H010.00.01	20
51012200	H010.03.01	25
51012200	J010.10.01	50
51520001	A090.03.01	48
51526030	Z060.04.02	1
51526100	Z060.04.01	1
52006500	K010.08.01	12A
52006500	K010.09.01	12A
52008112	K010.08.01	14
52008112	K010.09.01	14
52020000	D050.02.01	3
52020000	F065.01.01	15
52020000	K010.08.01	5A
52020000	K010.08.01	10A
52020000	K010.08.01	35A
52020000	K010.09.01	5A
52020000	K010.09.01	10A
52020300	K010.08.01	9A
52020300	K010.09.01	9A
52020500	K010.08.01	6A
52020500	K010.09.01	6A
52020600	K010.08.01	2A
52020600	K010.08.01	7A
52020600	K010.08.01	8A
52020600	K010.08.01	13A
52020600	K010.09.01	2A
52020600	K010.09.01	7A
52020600	K010.09.01	8A
52020600	K010.09.01	13A
52021115	K010.08.01	4A
52021115	K010.09.01	4A
52031000	K010.08.01	10B
52031000	K010.09.01	10B
52031010	K010.08.01	7B
52031010	K010.08.01	13B
52031010	K010.09.01	7B
52031010	K010.09.01	13B
52031020	K010.08.01	2B
52031020	K010.09.01	2B
52031040	K010.08.01	12B
52031040	K010.09.01	12B
52031050	K010.08.01	5B

Parça No	Sayfa No	No
Part no	Page No	No
52031050	K010.09.01	5B
52031060	K010.08.01	35B
52031070	K010.08.01	8B
52031070	K010.09.01	8B
52031080	K010.08.01	9B
52031080	K010.09.01	9B
52031090	D050.02.01	2
52031240	K010.08.01	4B
52031240	K010.09.01	4B
52031380	K010.08.01	6B
52031380	K010.09.01	6B
52031383	F065.01.01	14
52036000	K010.08.01	3
52036000	K010.09.01	3
52036000	K020.16.01	41
52201032	A090.03.01	46
52201033	A080.04.01	20
52205730	K010.01.02	1
52205733	K010.01.02	2
52401118	K020.16.01	19
52401118	K020.17.01	19
52401125	K020.16.01	17
52401125	K020.17.01	17
52502000	K010.08.01	21
52502000	K010.09.01	21
52600225	K010.02.07	14
52600226	K010.02.07	13
52602610	K020.16.01	65
52602610	K020.17.01	54
52602611	K020.16.01	65A
52602611	K020.17.01	54A
52602612	K020.16.01	65B
52602612	K020.17.01	54B
52603130	K010.02.07	12
52604040	K010.02.07	1
52604050	K010.02.07	2
52605000	K020.16.01	42
52607522	K010.02.07	3
52607524	K020.16.01	47
52607524	K020.17.01	47
52705500	K010.08.01	33A
52705500	K010.09.01	33A
52706050	K010.08.01	33B
52706050	K010.09.01	33B
52706100	K010.08.01	33C
52706100	K010.09.01	33C
52706200	K010.08.01	33D
52706200	K010.09.01	33D
52804000	K020.16.01	50
52804000	K020.17.01	50
52804010	K020.16.01	51
52804010	K020.17.01	51
52804505	K020.16.01	30
52804505	K020.17.01	30
52804506	K010.08.01	22
52804506	K010.09.01	22
52919000	D010.00.02	18
52919000	E070.00.01	19
52919000	K020.16.01	6D
52919000	K020.17.01	6D
53003312	F070.07.01	65
53003312	F070.16.01	65

INDEX

Parça No	Sayfa No	No
Part no	Page No	No
53004065	K010.08.01	26
53004065	K010.09.01	26
53004201	K010.08.01	28
53004201	K010.09.01	28
53004201	K020.16.01	36
53004201	K020.17.01	36
53005224	A080.02.01	6
53005224	A080.02.01	6
53005224	K010.01.02	6
53005230	K010.08.01	20
53005230	K010.09.01	20
53203000	K010.02.07	17
53204000	K020.16.01	46
54003410	A090.03.01	54
54003410	K010.08.01	23
54003410	K010.09.01	23
54005000	K010.08.01	34
54005000	K010.09.01	34
54016250	K020.16.01	32
54016250	K020.17.01	32
54016270	K020.16.01	15
54016270	K020.17.01	15
54018002	K010.01.03	35
54503510	J010.10.01	33
54503510	J010.08.01	33
54524100	D010.00.02	15
54524100	E070.00.01	20
54524100	K020.16.01	6A
54524100	K020.17.01	6A
55001015	K010.01.03	33
55001028	K010.01.03	3
55001210	K010.01.03	11
55001401	K010.01.03	9
55006330	K010.01.03	19
55400033	C110.01.01	9
55400033	D010.00.02	1
55400033	K020.16.01	63
55400033	K020.17.01	61
55400034	E070.00.01	4
55400200	K020.16.01	54
55400300	A090.03.01	57
55400300	K020.16.01	1
55400300	K020.17.01	1
55400601	C040.00.01	32
55400611	C040.00.01	33
55400630	J010.10.01	18
55400630	J010.08.01	18
55506111	K010.01.03	1
55506511	K010.01.03	6
55506521	K010.01.03	7
55506611	K010.01.03	10
55507110	K010.01.03	5
55507211	K010.01.03	2
55530015	K010.08.01	15
55530015	K010.09.01	15
55535105	K010.01.03	4
6020021037	D070.00.01	34
6020021075	J010.08.01	42
6020021125	F190.02.01	2
6020021215	F210.01.01	12
6020021215	F210.01.01	13
6020023130	H010.00.01	1

Parça No	Sayfa No	No
Part no	Page No	No
6020023140	F210.01.01	11
6020023140	H010.03.01	18
6020023175	H010.00.01	1
6020024125	J010.10.01	1
6020024145	J010.08.01	1
6325521055	F050.33.01	14
6325521055	F050.34.01	15
6325521065	F050.34.01	14
6325521075	F050.33.01	15
6325525105	F050.33.01	54
6325525115	F050.34.01	66
6370020045	F060.08.01	51
6370020045	F060.10.01	51
6370020045	F060.12.01	51
6370020045	F060.14.01	51
6370020045	F150.05.01	30
6370020045	F150.06.01	36
6370020045	F150.07.01	40
6370020050	F065.01.01	7
6370020065	F065.01.01	6
6370020075	F065.01.01	5
6370021035	F060.08.01	52
6370021035	F060.10.01	52
6370021035	F060.12.01	52
6370021035	F060.14.01	52
6370021035	F150.05.01	29
6370021035	F150.06.01	35
6370021035	F150.07.01	39
6370021060	F060.08.01	53
6370021060	F060.10.01	53
6370021060	F060.12.01	53
6370021060	F060.14.01	53
6370021060	F150.05.01	31
6370021060	F150.06.01	37
6370021060	F150.07.01	41
6370021075	F060.08.01	50
6370021075	F060.10.01	50
6370021075	F060.12.01	50
6370021075	F060.14.01	50
6370021075	F150.05.01	32
6370021075	F150.06.01	38
6370021075	F150.07.01	42
6370021095	F060.07.01	2
6370021095	F060.07.01	3
6370021095	F060.08.01	2
6370021095	F060.08.01	3
6370021095	F060.09.01	2
6370021095	F060.10.01	2
6370021095	F060.11.01	2
6370021095	F060.11.01	3
6370021095	F060.12.01	2
6370021095	F060.12.01	3
6370021095	F060.13.01	2
6370021095	F060.14.01	2
6370021100	F020.10.01	42
6370021110	F020.07.01	46
6370021110	F060.07.01	4
6370021110	F060.08.01	4
6370021110	F060.11.01	4
6370021110	F060.12.01	4
6370021115	F020.07.01	47
6370021115	F020.10.01	43

Parça No	Sayfa No	No
Part no	Page No	No
6370021115	F060.07.01	1
6370021115	F060.08.01	1
6370021115	F060.09.01	1
6370021115	F060.10.01	1
6370021115	F060.11.01	1
6370021115	F060.12.01	1
6370021115	F060.13.01	1
6370021115	F060.14.01	1
6370021125	F060.07.01	7
6370021125	F060.07.01	9
6370021125	F060.07.01	11
6370021125	F060.08.01	7
6370021125	F060.08.01	9
6370021125	F060.08.01	11
6370021125	F060.09.01	9
6370021125	F060.09.01	11
6370021125	F060.10.01	9
6370021125	F060.10.01	11
6370021125	F060.11.01	7
6370021125	F060.11.01	9
6370021125	F060.11.01	11
6370021125	F060.12.01	7
6370021125	F060.12.01	9
6370021125	F060.12.01	11
6370021125	F060.13.01	9
6370021125	F060.13.01	11
6370021125	F060.14.01	9
6370021125	F060.14.01	11
6370021135	F060.09.01	3
6370021135	F060.10.01	3
6370021135	F060.13.01	3
6370021135	F060.14.01	3
6370021150	F060.09.01	4
6370021150	F060.10.01	4
6370021150	F060.13.01	4
6370021150	F060.14.01	4
6370021165	F060.09.01	7
6370021165	F060.10.01	7
6370021165	F060.13.01	7
6370021165	F060.14.01	7
6370021170	F060.07.01	8
6370021170	F060.07.01	10
6370021170	F060.08.01	8
6370021170	F060.08.01	10
6370021170	F060.09.01	10
6370021170	F060.10.01	10
6370021170	F060.11.01	8
6370021170	F060.11.01	10
6370021170	F060.12.01	8
6370021170	F060.12.01	10
6370021170	F060.13.01	10
6370021170	F060.14.01	10
6370021185	F060.09.01	8
6370021185	F060.10.01	8
6370021185	F060.13.01	8
6370021185	F060.14.01	8
6370022145	F065.01.01	2
6370022145	F065.01.01	3
6370022155	F065.01.01	4
6370022160	F065.01.01	1
6370024150	F060.07.01	6
6370024150	F060.08.01	6

INDEX

Parça No	Sayfa No	No
Part no	Page No	No
6370024150	F060.09.01	6
6370024150	F060.10.01	6
6370024150	F060.11.01	6
6370024150	F060.12.01	6
6370024150	F060.13.01	6
6370024150	F060.14.01	6
6370024180	F060.07.01	12
6370024180	F060.08.01	12
6370024180	F060.09.01	12
6370024180	F060.10.01	12
6370024180	F060.11.01	12
6370024180	F060.12.01	12
6370024180	F060.13.01	12
6370024180	F060.14.01	12
6370025070	F060.07.01	5
6370025070	F060.08.01	5
6370025070	F060.09.01	5
6370025070	F060.10.01	5
6370025070	F060.11.01	5
6370025070	F060.12.01	5
6370025070	F060.13.01	5
6370025070	F060.14.01	5
6370026045	F065.01.01	8
6370026165	F060.07.01	17
6370026165	F060.08.01	17
6370026165	F060.09.01	17
6370026165	F060.10.01	17
6370026165	F060.11.01	17
6370026165	F060.12.01	17
6370026165	F060.13.01	17
6370026165	F060.14.01	17
6370026170	F060.07.01	14
6370026170	F060.07.01	16
6370026170	F060.08.01	14
6370026170	F060.08.01	16
6370026170	F060.09.01	14
6370026170	F060.09.01	16
6370026170	F060.10.01	14
6370026170	F060.10.01	16
6370026170	F060.11.01	14
6370026170	F060.11.01	16
6370026170	F060.12.01	14
6370026170	F060.12.01	16
6370026170	F060.13.01	14
6370026170	F060.13.01	16
6370026170	F060.14.01	14
6370026170	F060.14.01	16
6370026200	F060.07.01	13
6370026200	F060.07.01	15
6370026200	F060.08.01	13
6370026200	F060.08.01	15
6370026200	F060.09.01	13
6370026200	F060.09.01	15
6370026200	F060.10.01	13
6370026200	F060.10.01	15
6370026200	F060.11.01	13
6370026200	F060.11.01	15
6370026200	F060.12.01	13
6370026200	F060.12.01	15
6370026200	F060.13.01	13
6370026200	F060.13.01	15
6370026200	F060.14.01	13

Parça No	Sayfa No	No
Part no	Page No	No
6370026200	F060.14.01	15
6370028230	F060.07.01	18
6370028230	F060.08.01	18
6370028230	F060.09.01	18
6370028230	F060.10.01	18
6370028230	F060.11.01	18
6370028230	F060.12.01	18
6370028230	F060.13.01	18
6370028230	F060.14.01	18
6511120060	D040.02.01	12
6511120060	D040.03.01	13
6511121050	D050.02.01	8
6511121055	D050.01.01	8
6511121060	D050.01.01	7
6511121060	D050.02.01	7
6511121060	D120.00.01	3
6511121075	D050.01.01	17
6511121075	D120.00.01	4
6511121095	D050.02.01	17
6511124045	D050.01.01	16
6511124045	D050.02.01	16
6610020170	J010.10.01	2
6610020170	J010.08.01	2
6620021055	F050.33.01	13
6620023110	F050.33.01	24
6620024110	F050.34.01	13
6620028175	F100.01.01	1
6631120050	F070.10.01	4
6631120050	F070.10.01	4
6631120060	D040.00.01	10
6631120060	D040.01.01	13
6631120060	D040.04.01	12
6631120085	F030.06.01	58
6631120085	F060.07.01	19
6631120085	F060.08.01	19
6631120085	F060.09.01	19
6631120085	F060.10.01	19
6631120140	F090.01.01	1
6631120150	F110.02.01	1
6631120155	F150.07.01	16
6631120165	F110.02.01	2
6631120175	F090.02.01	1
6631120175	F160.04.01	9
6631120175	F160.05.01	9
6631120175	F160.07.01	9
6631120210	H010.03.01	15
6631120210	H010.03.01	16
6631120235	F150.09.01	18
6631120235	F160.05.01	13
6631121030	F150.08.01	11
6631121030	F150.09.01	11
6631121030	H010.00.01	26
6631121030	H010.03.01	28
6631121031	F150.07.01	11
6631121040	D040.04.01	41
6631121040	D050.03.01	12
6631121045	F160.05.01	55
6631121075	D050.02.01	47
6631121095	F070.10.01	3
6631121095	F070.10.01	3
6631121100	F050.34.01	90
6631121150	J010.10.01	42

Parça No	Sayfa No	No
Part no	Page No	No
6631121160	F140.02.01	33
6631121165	F030.06.01	62
6631121165	F030.07.01	58
6631121165	F030.07.01	62
6631121165	F060.08.01	20
6631121165	F060.10.01	20
6631121165	F060.11.01	19
6631121165	F060.12.01	19
6631121165	F060.12.01	20
6631121165	F060.13.01	19
6631121165	F060.14.01	19
6631121165	F060.14.01	20
6631121185	F140.02.01	34
6631121185	F150.07.01	26
6631121185	F150.08.01	45
6631121185	F150.09.01	25
6631121185	F160.05.01	8
6631121185	F160.07.01	8
6631121190	F160.04.01	8
6631121200	F210.01.01	26
6631121200	F210.01.01	27
6631121210	H010.00.01	4
6631121250	F160.04.01	13
6631121250	F160.07.01	13
6631121260	F180.00.01	9
6631121435	F140.02.01	37
6631122065	F210.01.01	25
6631122075	F210.01.01	24
6631122100	F050.34.01	86
6631122100	J010.10.01	5
6631122100	J010.08.01	5
6631122155	F060.07.01	20
6631122155	F060.09.01	20
6631122155	F060.11.01	20
6631122155	F060.13.01	20
6631122206	F150.09.01	15
6631122210	F160.05.01	15
6631122290	F160.04.01	15
6631122290	F160.07.01	15
6631123115	F030.06.01	61
6631123115	F030.07.01	61
6631123115	F060.07.01	54
6631123115	F060.08.01	54
6631123115	F060.09.01	54
6631123115	F060.10.01	54
6631123115	F060.11.01	54
6631123115	F060.12.01	54
6631123115	F060.13.01	54
6631123115	F060.14.01	54
6631123135	F180.00.01	13
6631123135	F180.00.01	23
6631126040	H010.00.01	26
6631126040	H010.03.01	28
6631126041	D050.00.01	10
6631126060	H010.00.01	27
6631126060	H010.03.01	29
6631126097	D020.00.01	14
6631126098	D020.01.01	14
6631126098	D020.03.01	14
6631126098	D020.04.01	14
6631126100	D020.02.01	13
6631126120	F140.04.01	15

INDEX

Parça No	Sayfa No	No
Part no	Page No	No
6631126125	F050.34.01	68
6631126140	F180.00.01	10
6631126145	F090.01.01	2
6631126150	F140.04.01	16
6631126180	F090.02.01	2
6631127145	F210.01.01	4
6631128200	F140.04.01	19
6642220150	F140.06.01	1
6642220155	F130.06.01	14
6642220165	F140.02.01	2
6642220335	F130.06.01	16
6642220525	F140.06.01	8
6642221115	H010.00.01	2
6642221270	F150.08.01	47
6642221460	F140.02.01	7
6642222150	H010.03.01	14
6642223055	D040.02.01	14
6642223055	D040.03.01	15
6642223115	H010.00.01	3
6642223185	H010.00.01	2
6642224115	H010.03.01	17
6642225055	D040.02.01	13
6642225055	D040.03.01	14
6642226115	F130.02.01	2
6642226135	F140.03.01	2
6642226135	F140.04.01	2
6642226145	F120.02.01	2
6642226145	F120.06.01	2
6642226235	F120.02.01	13
6642226280	F130.02.01	13
6642228220	F140.03.01	11
6642228220	F140.04.01	26
6643321430	F140.06.01	7
6653320145	F140.02.01	1
6653320145	F140.06.01	2
6653320155	F130.06.01	13
6653320320	F130.06.01	15
6653321190	D160.00.01	35
6653321190	D160.01.01	34
6653321190	D160.02.01	29
6653321260	F160.05.01	4
6653322100	D120.00.01	22
6653326120	F120.02.01	1
6653326120	F120.06.01	1
6653326120	F140.03.01	1
6653326120	F140.04.01	1
6653326135	F130.02.01	1
6653326165	F160.05.01	7
6653326190	D150.06.01	22
6653326210	D150.06.01	22
6653326220	D150.08.01	6
6653326240	F120.02.01	12
6653326270	F130.02.01	12
6653328220	F140.03.01	12
6653328220	F140.04.01	8
6664420070	F050.33.01	9
6664420435	F150.07.01	6
6664420465	F150.08.01	22
6664421050	F180.00.01	12
6664421070	F050.34.01	10
6664421085	F050.34.01	11
6664421095	F050.34.01	12

Parça No	Sayfa No	No
Part no	Page No	No
6664421125	F150.07.01	5
6664421170	F150.03.01	4
6664421170	F150.04.01	24
6664421170	F150.05.01	4
6664421170	F150.06.01	24
6664421170	F150.07.01	25
6664421170	F150.08.01	24
6664421250	F160.04.01	4
6664421250	F160.07.01	4
6664421260	F150.04.01	25
6664421260	F150.06.01	25
6664421260	F150.09.01	17
6664421260	F150.09.01	22
6664421300	F150.04.01	3
6664421300	F150.06.01	3
6664421300	F150.09.01	27
6664421350	F150.03.01	14
6664421350	F150.05.01	14
6664421350	F150.07.01	27
6664421350	F150.08.01	27
6664421445	F150.08.01	17
6664423100	F050.33.01	10
6664426070	F050.34.01	4
6664426120	F150.09.01	24
6664426165	F160.04.01	7
6664426165	F160.07.01	7
6664426190	D150.06.01	21
6664426210	D150.06.01	21
6664426210	D150.09.01	4
6664426220	D150.08.01	5
6664426505	F150.03.01	2
6664426505	F150.05.01	2
7013329263	A050.06.01	26
7013329287	A050.06.01	27
7024429280	F050.34.01	64
7024429284	F050.33.01	53
7024429358	F050.33.01	55
7024429358	F050.34.01	55
79900120	A080.04.01	35
79900120	A090.03.01	66
79901020	A090.02.02	3
79901021	A080.04.01	10
79901022	A080.04.01	9
79901023	A080.04.01	11
79901023	A090.03.01	11
79901024	A080.04.01	6
79901025	A080.04.01	5
79905058	A080.04.01	39
79905058	A090.03.01	70
79905060	A080.04.01	41
79905060	A090.03.01	72
79905061	A080.04.01	26
79905061	A090.03.01	74
79905062	A080.04.01	38
79905062	A090.03.01	69
79905063	A080.04.01	36
79905063	A090.03.01	67
79905064	A080.04.01	37
79905064	A090.03.01	68
80100502	A020.06.01	53
80100555	B070.01.01	10
80100555	B070.02.01	10

Parça No	Sayfa No	No
Part no	Page No	No
80100910	B050.01.01	1
80100990	F040.03.01	6
80101015	D150.06.01	6
80101210	D050.01.01	39
80101210	D050.02.01	39
80101210	D050.03.01	9
80101215	D050.00.01	5
80101220	D050.00.01	4
80101220	D050.01.01	45
80101220	D050.03.01	3
80101225	D050.02.01	45
80102016	D020.00.01	3
80102016	D020.01.01	3
80102016	D020.02.01	3
80102016	D020.03.01	3
80102016	D020.04.01	3
80102035	B020.00.01	5
80102070	D040.04.01	11
80102074	D050.01.01	23
80102075	D040.04.01	25
80102076	D010.00.01	44
80102077	D050.01.01	38
80102077	D050.02.01	38
80102078	D010.00.03	14
80102140	D040.04.01	43
80102153	D040.04.01	27
80102222	D080.00.01	2
80102232	B020.01.01	9
80102280	B060.00.01	10
80102280	B060.00.01	10
80102312	B060.00.01	4
80102315	B060.00.01	6
80104096	D020.00.01	6
80104096	D020.01.01	6
80104096	D020.02.01	7
80104096	D020.03.01	6
80104096	D020.04.01	6
80104098	D020.00.01	25
80104098	D020.01.01	25
80104098	D020.02.01	32
80104098	D020.03.01	25
80104098	D020.04.01	25
80104115	D070.00.01	44
80104118	D050.00.01	8
80104118	D050.03.01	2
80104120	D010.00.03	7
80104130	D010.00.03	2
80105066	D010.00.01	12
80105068	D010.00.01	37
80105070	D010.00.01	5
80105082	B020.00.01	14
80105140	B020.01.01	7
80105150	B020.01.01	12
80107051	G150.00.01	13
80107060	G160.00.01	13
80107060	G170.00.01	24
80107060	G265.02.01	24
80110015	D050.01.01	40
80110015	D050.02.01	40
80110020	D040.04.01	34
80110026	B020.00.01	23
80110054	D060.02.01	10

INDEX

Parça No	Sayfa No	No
Part no	Page No	No
80110055	D060.00.01	5
80110055	D060.01.01	8
80110070	D160.00.01	26
80110070	D160.01.01	26
80110070	D160.02.01	26
80110110	D060.01.01	11
80110110	D060.02.01	13
80110118	D060.02.01	9
80110119	D060.00.01	13
80111011	C130.01.01	27
80111018	C130.01.01	18
80111100	D010.00.01	13
80111110	D010.00.01	6
80111250	B020.01.01	11
80112040	D120.00.01	19
80114048	D140.00.01	6
80114520	D060.00.01	11
80114520	D060.01.01	4
80114520	D060.02.01	5
80116200	B070.01.01	22
80116200	B070.02.01	22
80118111	D010.00.01	28
80119100	D010.00.01	49
80119160	D010.00.01	9
80120106	E010.06.01	12
80162217	F040.02.01	9
80201005	C020.01.01	41
80201005	C030.01.01	41
80201016	D050.01.01	25
80201016	D050.02.01	25
80201017	C130.01.01	14
80201040	G190.00.01	3
80201076	D010.00.01	23
80201180	G210.00.01	2
80201210	D120.00.01	11
80201210	D120.00.01	25
80201214	G080.00.01	12
80201214	G100.00.01	13
80201214	G110.00.01	13
80201216	G100.00.01	2
80201216	G110.00.01	2
80201218	D010.00.01	2
80201218	D010.00.01	22
80201218	D010.00.01	26
80201218	G210.00.01	18
80201222	D090.00.01	3
80201222	D090.02.01	20
80201222	D100.00.01	4
80201355	D010.00.01	27
80201356	G130.01.01	2
80201356	G140.01.01	2
80201356	G170.00.01	12
80201356	G180.00.01	12
80201356	G180.01.01	12
80201356	G265.02.01	12
80201360	G130.01.01	12
80201360	G140.01.01	12
80201360	G160.00.01	2
80201360	G180.00.01	2
80201360	G180.01.01	2
80201360	G265.02.01	2
80201362	G160.00.01	1

Parça No	Sayfa No	No
Part no	Page No	No
80201362	G170.00.01	2
80201375	G265.01.01	12
80201385	B020.01.01	4
80201387	D100.00.01	3
80201446	B010.14.01	3
80201446	B050.00.01	5
80201447	B010.14.01	5
80201447	B050.00.01	11
80201465	G150.00.01	2
80201510	G170.00.01	14
80201510	G265.02.01	14
80201513	G080.00.01	2
80201513	G265.01.01	2
80201516	D010.00.01	24
80201531	D080.00.01	19
80201558	B060.00.01	13
80201579	B060.00.01	14
80201586	J010.10.01	66
80201586	J010.08.01	66
80201600	D040.04.01	30
80201624	B050.00.01	15
80201626	B050.00.01	15
80201640	D050.01.01	30
80201640	D050.02.01	30
80202680	D010.00.01	21
80203100	D120.00.01	24
80203101	D120.00.01	12
80203260	B010.14.01	4
80203260	B050.00.01	8
80203260	B050.00.01	23
80204070	G270.00.01	2
80204070	G270.00.02	2
80204070	G280.00.01	5
80204212	G250.00.01	11
80204213	G130.00.01	14
80204213	G140.00.01	14
80204230	G130.00.01	27
80204230	G140.00.01	26
80205100	G270.00.01	3
80205100	G270.00.02	3
80205100	G280.00.01	3
80205200	G130.00.01	26
80205200	G140.00.01	25
80205200	G250.00.01	10
80208022	J010.10.01	55
80208022	J010.10.01	58
80208022	J010.08.01	55
80208022	J010.08.01	58
80400174	C130.01.01	30
80400380	C020.01.01	48
80400380	C020.01.01	57
80400380	C030.01.01	48
80400380	C030.01.01	57
80400618	D020.00.01	31
80400618	F160.05.01	46
80400618	F180.00.01	5
80400618	H010.00.01	25
80400618	H010.03.01	27
80400632	D020.00.01	31
80400632	D020.01.01	31
80400632	D020.02.01	14
80400632	D020.03.01	31

Parça No	Sayfa No	No
Part no	Page No	No
80400632	D020.04.01	31
80400632	F110.02.01	4
80400632	F140.02.01	36
80400632	F140.04.01	18
80400632	F150.07.01	2
80400632	F150.08.01	44
80400632	F150.09.01	19
80400632	F160.04.01	2
80400632	F160.05.01	2
80400632	F160.07.01	2
80400634	F050.34.01	81
80400634	F070.05.01	36
80400634	F070.07.01	37
80400634	F070.15.01	36
80400634	F070.16.01	37
80400634	F120.02.01	9
80400634	F120.06.01	9
80400634	F130.02.01	9
80400634	F130.06.01	5
80400634	F140.02.01	3
80400634	F140.03.01	8
80400634	F140.04.01	22
80400634	F140.06.01	6
80400636	F120.02.01	8
80400636	F120.06.01	8
80400636	F130.02.01	8
80400636	F130.06.01	7
80400636	F140.02.01	4
80400636	F140.03.01	7
80400636	F140.04.01	7
80400636	F140.06.01	5
80400640	F150.03.01	5
80400640	F150.03.01	6
80400640	F150.04.01	10
80400640	F150.04.01	23
80400640	F150.05.01	5
80400640	F150.05.01	6
80400640	F150.06.01	10
80400640	F150.06.01	23
80400640	F150.07.01	1
80400640	F150.07.01	23
80400640	F150.08.01	9
80400640	F150.08.01	20
80400640	F150.09.01	20
80400640	F150.09.01	46
80400640	F160.04.01	5
80400640	F160.05.01	5
80400640	F160.07.01	5
80401460	A070.06.01	25
80403000	D040.00.01	17
80403000	D040.01.01	20
80403000	D040.02.01	19
80403000	D040.03.01	20
80403100	D090.00.01	13
80409600	E020.00.01	4
80409600	E020.01.01	4
80409600	E030.01.01	4
80409600	E030.02.01	4
80409600	E030.03.01	4
80455300	D120.00.01	21
80500026	J010.10.01	4
80500026	J010.08.01	4

INDEX

Parça No	Sayfa No	No
Part no	Page No	No
80500029	C130.01.01	19
80500033	B080.01.01	57
80500047	A010.09.01	15
80500068	D040.04.01	23
80500074	C010.02.01	4
80500075	D140.00.01	9
80500076	D140.00.01	10
80500077	A010.09.01	21
80500082	D090.02.01	9
80500087	C020.01.01	47
80500087	C020.01.01	59
80500087	C030.01.01	47
80500087	C030.01.01	59
80500097	B080.01.01	65
80500240	D090.02.01	23
80500241	D090.02.01	23
80500320	D040.04.01	8
80500418	D100.00.01	15
80500419	D100.00.01	15
80500442	D080.00.01	15
80500442	D090.02.01	31
80500452	D080.00.01	4
80500452	D090.00.01	8
80500452	D090.02.01	27
80500452	D090.02.01	30
80500462	D090.02.01	13
80500486	D010.00.03	13
80500501	D100.00.01	9
80500502	D090.00.01	7
80500503	B020.01.01	5
80500503	D060.00.01	10
80500503	D060.01.01	3
80500503	D060.02.01	4
80500510	D010.00.01	18
80500511	D100.00.01	9
80500513	D090.02.01	24
80500530	D080.00.01	11
80500535	D080.00.01	11
80500536	D080.00.01	11
80500537	D080.00.01	11
80500542	D010.00.01	35
80500596	D080.00.01	16
80500640	E010.06.01	2
80500681	D010.00.01	16
80500681	D010.00.01	43
80500685	D160.00.01	11
80500685	D160.01.01	11
80500685	D160.02.01	11
80500944	D010.00.01	41
80501018	B080.01.01	31
80504300	A080.04.01	43
80504300	A090.03.01	75
80504300	C050.02.01	2
80504301	C050.02.01	4
80507009	C110.01.01	26
80507009	C120.01.01	10
80507014	B080.01.01	39
80507020	K010.02.07	6
80507036	B060.00.01	16
80507041	A020.06.01	22
80602117	D070.00.01	30
80602117	F190.02.01	7

Parça No	Sayfa No	No
Part no	Page No	No
80602304	F120.03.01	6
80603075	D160.00.01	17
80603075	D160.01.01	17
80603075	D160.02.01	17
80603127	D150.06.01	18
80603312	D070.00.01	23
80608014	A050.06.01	10
80608021	A070.06.01	28
80611015	G150.00.01	14
80611020	G160.00.01	12
80611020	G170.00.01	16
80611020	G265.02.01	16
80615000	F070.15.01	61
80615000	F070.16.01	70
80615217	A010.09.01	36
80620200	A050.06.01	11
80620200	A080.04.01	22
80620200	A090.03.01	55
80622005	A070.06.01	26
80624011	F210.01.01	5
80624017	F030.06.01	40
80624017	F030.07.01	40
80624017	F050.34.01	87
80624017	F050.34.01	93
80624017	F060.07.01	57
80624017	F060.08.01	57
80624017	F060.09.01	57
80624017	F060.10.01	57
80624017	F180.00.01	16
80624018	F030.06.01	59
80624018	F030.07.01	59
80624018	F050.34.01	91
80624018	F060.07.01	27
80624018	F060.08.01	27
80624018	F060.09.01	27
80624018	F060.10.01	27
80624018	F060.11.01	27
80624018	F060.12.01	27
80624018	F060.13.01	27
80624018	F060.14.01	27
80624018	F070.10.01	6
80624018	F070.10.01	6
80624018	F090.01.01	5
80624018	F090.03.01	4
80624018	J010.10.01	34
80624018	J010.10.01	49
80624018	J010.08.01	49
80624019	F030.07.01	90
80624019	F050.34.01	72
80624019	F050.34.01	76
80624019	F060.11.01	57
80624019	F060.12.01	57
80624019	F060.13.01	57
80624019	F060.14.01	57
80624026	D160.00.01	17
80624026	D160.01.01	17
80624026	D160.02.01	17
80624026	F160.04.01	36
80624026	F160.04.01	38
80624026	F160.04.01	46
80624026	F160.05.01	39
80624026	F160.07.01	36

Parça No	Sayfa No	No
Part no	Page No	No
80624026	F160.07.01	38
80624026	F160.07.01	46
80624036	F050.33.01	30
80624036	F050.33.01	48
80624036	F050.34.01	29
80624036	F050.34.01	46
80624046	F160.05.01	14
80624052	F140.04.01	17
80624052	F150.09.01	16
80624052	F160.04.01	14
80624052	F160.07.01	14
80624052	H010.00.01	24
80624052	H010.03.01	26
80624057	F150.03.01	9
80624057	F150.04.01	21
80624057	F150.05.01	9
80624057	F150.06.01	21
80624057	F150.07.01	24
80624057	F150.08.01	30
80624060	F090.00.01	10
80624062	A070.06.01	8
80624063	F120.02.01	11
80624063	F130.02.01	11
80624063	F140.03.01	10
80624063	F140.04.01	24
80624064	F120.02.01	10
80624064	F130.02.01	10
80624064	F140.03.01	9
80624064	F140.04.01	23
80624065	F150.04.01	22
80624065	F150.06.01	22
80624065	F150.09.01	31
80624070	D020.00.01	35
80624070	D020.01.01	35
80624070	D020.02.01	19
80624070	D020.03.01	35
80624070	D020.04.01	35
80624070	F050.33.01	1
80624080	F050.33.01	11
80624080	F190.02.01	1
80624090	F120.03.01	1
80624100	D150.00.01	6
80624100	D150.01.01	6
80624100	D150.08.01	4
80624101	D150.09.01	2
80624118	D120.00.01	2
80624119	F180.00.01	3
80624126	D150.04.01	10
80624126	D150.05.01	10
80624126	D150.06.01	20
80624126	F120.02.01	14
80624126	F120.06.01	11
80624126	F130.02.01	20
80624126	F130.06.01	2
80624126	F140.02.01	30
80624126	F140.03.01	20
80624126	F140.06.01	9
80624126	F160.05.01	1
80624126	F160.05.01	31
80624126	F160.05.01	56
80624128	F160.04.01	1
80624128	F160.07.01	1

INDEX

Parça No	Sayfa No	No
Part no	Page No	No
80624221	F150.07.01	9
80624221	F150.08.01	4
80624221	F150.09.01	4
80624226	D150.06.01	17
80624226	D150.06.01	18
80624227	D150.06.01	18
80624228	A080.04.01	23
80624228	A090.03.01	79
80624230	D150.00.01	10
80624230	D150.01.01	10
80624230	D150.04.01	9
80624230	D150.05.01	9
80624230	D150.07.01	18
80624230	D150.07.02	91A
80624230	D150.10.01	10
80624230	F050.33.01	33
80624230	F050.33.01	50
80624230	F050.34.01	32
80624230	F050.34.01	33
80624230	F050.34.01	49
80624230	F150.03.01	3
80624230	F150.04.01	28
80624230	F150.05.01	3
80624230	F150.06.01	28
80624230	F150.07.01	15
80624230	F150.07.01	28
80624230	F150.08.01	18
80624230	F150.08.01	31
80624230	F150.09.01	30
80624230	F150.09.01	39
80624230	F160.04.01	30
80624230	F160.07.01	30
80624230	F180.00.01	20
80624232	D150.07.01	12
80624232	D150.07.02	92A
80624233	D150.07.01	13
80624314	G150.00.01	18
80624316	D070.00.01	27
80624316	G200.00.01	3
80624316	J010.10.01	41
80624316	J010.08.01	41
80624324	D070.00.01	21
80624426	D120.00.01	2
80624518	H010.00.01	16
80624518	H010.03.01	21
80624524	F120.03.01	5
80624526	D150.08.01	2
80624526	D150.08.01	4
80624619	F090.02.01	6
80624619	F090.04.01	10
80624619	F110.01.01	9
80624619	F110.02.01	13
80624619	F140.02.01	31
80624619	F150.08.01	52
80624619	F150.09.01	38
80624619	F180.00.01	18
80624620	F150.07.01	12
80624620	F150.08.01	5
80624620	F150.09.01	5
80624636	F180.00.01	19
80624638	F050.34.01	67
80624639	F050.33.01	26

Parça No	Sayfa No	No
Part no	Page No	No
80624639	F050.34.01	59
80624724	F070.05.01	45
80624724	F070.07.01	63
80624724	F070.15.01	45
80624724	F070.16.01	63
80624724	F120.06.01	12
80624724	F130.02.01	19
80624724	F130.06.01	3
80624724	F140.02.01	29
80624724	F140.03.01	19
80624724	F140.06.01	13
80624742	F120.02.01	16
80624816	F210.01.01	20
80624890	F050.34.01	82
80626025	F070.05.01	4
80626025	F070.07.01	4
80626025	F070.15.01	4
80626025	F070.16.01	4
80628332	A050.06.01	12
80630530	D020.00.01	30
80630530	D020.01.01	30
80630530	D020.02.01	22
80630530	D020.03.01	30
80630530	D020.04.01	30
80630540	D020.00.01	32
80630540	D020.01.01	32
80630540	D020.02.01	16
80630540	D020.03.01	32
80630540	D020.04.01	32
80639026	F070.05.01	47
80639026	F070.07.01	55
80639026	F070.15.01	47
80639026	F070.16.01	55
80699830	F060.07.01	40
80699830	F060.08.01	40
80699830	F060.09.01	40
80699830	F060.10.01	40
80699830	F060.11.01	40
80699830	F060.12.01	40
80699830	F060.13.01	40
80699830	F060.14.01	40
80699917	F090.03.01	5
80699923	J010.10.01	47
80699923	J010.08.01	47
80699931	F160.04.01	23
80699931	F160.05.01	23
80699931	F160.07.01	22
80699945	J010.10.01	44
80699945	J010.08.01	44
80699947	K050.02.01	10
80699989	F050.34.01	70
80699991	F030.06.01	70
80699991	F030.07.01	70
80699991	F060.07.01	25
80699991	F060.08.01	25
80699991	F060.09.01	25
80699991	F060.10.01	25
80699991	F060.11.01	25
80699991	F060.12.01	25
80699991	F060.13.01	25
80699991	F060.14.01	25
80701512	C020.01.01	53

Parça No	Sayfa No	No
Part no	Page No	No
80701512	C030.01.01	53
80701516	C020.01.01	58
80701516	C030.01.01	58
80701521	J010.10.01	70
80701521	J010.08.01	70
80702000	G150.00.01	12
80702000	G160.00.01	11
80702000	G170.00.01	15
80702000	G265.02.01	15
80702406	A020.06.01	6
80702407	A020.06.01	41
80702408	A020.06.01	55
80702409	J010.10.01	52
80702409	J010.08.01	72
80702420	B070.01.01	12
80702420	B070.02.01	12
80706615	F030.06.01	14
80706615	F030.07.01	14
80706650	B080.01.01	24
80706710	F020.07.01	28
80706710	F020.09.01	28
80706710	F020.10.01	28
80706710	F020.11.01	28
80707010	D040.04.01	35
80707010	D050.01.01	42
80707010	D050.02.01	42
80709200	D140.00.01	7
80900200	B080.01.01	45
80910000	A070.06.01	27
81002020	K010.01.03	13
81009518	A050.06.01	13
81009519	A050.06.01	14
81009529	A040.00.01	12
81009585	A030.00.01	20
81009585	A030.01.01	20
81009588	A030.00.01	9
81009588	A030.01.01	9
81009591	A050.06.01	15
81009615	A040.00.01	20
81009727	A010.09.01	29
81009759	A010.09.01	30
81009902	C130.01.01	3
81009910	C130.01.01	4
81009922	C130.01.01	1
81010605	D020.00.01	20
81010605	D020.01.01	20
81010605	D020.02.01	26
81010605	D020.03.01	20
81010605	D020.04.01	20
81010605	D030.00.01	3
81010605	D030.01.01	3
81010605	D110.01.01	4
81010605	D110.02.01	4
81010605	D110.03.01	3
81010605	D110.04.01	4
81010605	D110.05.01	3
81010605	D110.06.01	4
81010605	D110.07.01	3
81010630	D110.00.01	3
81010630	D110.01.01	3
81010630	D110.02.01	3
81010630	D110.03.01	2

INDEX

Parça No	Sayfa No	No
Part no	Page No	No
81010630	D110.04.01	3
81010630	D110.05.01	2
81010630	D110.06.01	3
81010630	D110.07.01	2
81010640	D110.00.01	7
81010640	D110.01.01	8
81010640	D110.02.01	8
81010640	D110.03.01	7
81010640	D110.04.01	8
81010640	D110.05.01	7
81010640	D110.06.01	8
81010640	D110.07.01	7
81010655	D170.00.01	2
81010708	D050.01.01	33
81010708	D050.02.01	33
81010821	B070.02.01	14
81013330	D050.00.01	11
81013330	D050.03.01	4
81014418	C040.00.01	27
81014425	F020.07.01	29
81014425	F020.09.01	29
81014425	F020.10.01	29
81014425	F020.11.01	29
81014429	F030.06.01	83
81014429	F030.07.01	83
81014430	D050.01.01	34
81014430	D050.02.01	34
81014439	K010.01.03	8
81014452	D070.00.01	9
81014455	F030.06.01	8
81014455	F030.07.01	8
81014468	C020.01.01	51
81014468	C030.01.01	51
81014479	K010.02.07	5
81014480	C020.01.01	5
81014480	C030.01.01	5
81014483	F020.07.01	30
81014483	F020.09.01	30
81014483	F020.10.01	30
81014483	F020.11.01	30
81014485	B070.01.01	2
81014485	B070.02.01	2
81014646	B070.01.01	17
81014646	B070.02.01	17
81014700	D050.01.01	26
81014700	D050.02.01	26
81028556	F030.06.01	34
81028556	F030.07.01	34
81028568	C020.01.01	39
81028568	C030.01.01	39
81028582	F030.06.01	49
81028582	F030.07.01	49
81028590	F020.07.01	20
81028590	F020.09.01	20
81028590	F020.10.01	20
81028590	F020.11.01	20
81028597	C110.01.01	6
81028597	C120.01.01	13
81028598	C090.01.01	40
81028599	C060.03.01	8
81028603	A080.02.01	11
81028603	A080.02.01	11

Parça No	Sayfa No	No
Part no	Page No	No
81030017	F030.06.01	52
81030017	F030.07.01	52
81030051	E070.00.01	10
81040003	C050.02.01	24
81040004	C050.02.01	25
81040006	A050.06.01	16
81040006	C020.01.01	32
81040006	C030.01.01	32
81040006	C050.02.01	30
81040018	F040.04.01	2
81040018	F040.06.01	2
81040021	A020.06.01	51
81040021	E070.00.01	15
81040024	C060.03.01	2
81040025	C020.01.01	28
81040025	C030.01.01	28
81040030	C020.01.01	4
81040030	C030.01.01	4
81040041	B080.01.01	23
81040041	B080.01.01	35
81040045	C020.01.01	18
81040045	C020.01.01	23
81040045	C030.01.01	18
81040045	C030.01.01	23
81040046	C020.01.01	19
81040046	C030.01.01	19
81040047	A020.06.01	24
81040048	A020.06.01	8
81040057	A020.06.01	4
81040057	C020.01.01	17
81040057	C030.01.01	17
81040057	F010.02.01	12
81040057	J010.10.01	63
81040057	J010.08.01	63
81040066	C020.01.01	33
81040066	C030.01.01	33
81040067	C020.01.01	35
81040067	C030.01.01	35
81040068	C020.01.01	31
81040068	C030.01.01	31
81040069	D010.00.03	16
81040072	A090.03.01	12
81040073	C020.01.01	46
81040073	C020.01.01	60
81040073	C030.01.01	46
81040073	C030.01.01	60
81040077	C020.01.01	55
81040077	C030.01.01	55
81040079	D010.00.03	17
81040080	A020.06.01	10
81040084	C080.01.01	20
81040086	B080.01.01	38
81040092	B080.01.01	46
81040093	C020.01.01	45
81040093	C030.01.01	45
81040094	C020.01.01	61
81040094	C030.01.01	61
81040095	C020.01.01	63
81040095	C030.01.01	63
81040097	C060.03.01	7
81040099	C020.01.01	13
81040099	C030.01.01	13

Parça No	Sayfa No	No
Part no	Page No	No
81040105	C020.01.01	34
81040105	C030.01.01	34
81040106	C020.01.01	29
81040106	C030.01.01	29
81040177	A050.06.01	17
81040185	K010.01.02	3
81040190	F040.03.01	3
81040190	F040.04.01	5
81040191	A020.06.01	61
81040192	A020.06.01	29
81040515	A050.06.01	18
81040516	A050.06.01	19
81047011	K020.16.01	35
81047011	K020.17.01	35
81048111	F080.00.01	32
81048111	F080.01.01	32
81048111	F080.02.01	15
81048111	F080.03.01	15
81048112	F080.03.01	18
81048119	A050.06.01	20
81048121	A050.06.01	21
81049004	B060.00.01	8
81049004	F080.00.01	1
81049004	F080.01.01	7
81049012	F080.00.01	6
81049012	F080.01.01	6
81049021	F080.01.01	9
81049021	F080.01.01	13
81049022	F080.00.01	16
81049022	F080.00.01	22
81049023	F080.01.01	15
81049023	F080.01.01	21
81049032	F080.00.01	10
81049032	F080.00.01	13
81049038	F080.02.01	8
81049038	F080.03.01	8
81049041	F080.02.01	6
81049041	F080.03.01	6
81049043	F080.00.01	31
81049043	F080.01.01	31
81049043	F080.02.01	16
81049043	F080.03.01	16
81049044	F080.03.01	19
81049045	F080.03.01	1
81049046	F080.02.01	1
81049046	F150.04.01	5
81049046	F150.06.01	5
81049054	J010.10.01	6
81049054	J010.08.01	6
81049055	F080.01.01	37
81049056	F080.00.01	37
81049056	F080.01.01	41
81049057	F150.08.01	26
81049058	F150.08.01	25
81050060	F070.05.01	14
81050060	F070.07.01	14
81050060	F070.15.01	14
81050060	F070.16.01	14
81050061	F070.05.01	13
81050061	F070.07.01	13
81050061	F070.15.01	13
81050061	F070.16.01	13

INDEX

Parça No	Sayfa No	No
Part no	Page No	No
81050615	C020.01.01	44
81050615	C030.01.01	44
81050616	D060.00.01	6
81051337	F150.07.01	14
81051360	A020.06.01	34
81051361	A020.06.01	35
81052120	F140.02.01	10
81052120	F140.04.01	31
81052120	F150.09.01	44
81052120	F160.04.01	12
81052120	F160.07.01	12
81052121	F140.02.01	9
81052121	F140.04.01	32
81052121	F150.09.01	43
81052121	F160.04.01	11
81052121	F160.07.01	11
81052125	G130.00.01	5
81052125	G140.00.01	5
81052180	F160.05.01	12
81052181	F160.05.01	11
81052185	F140.02.01	19
81052185	F140.04.01	43
81052186	F140.02.01	17
81052186	F140.04.01	44
81052220	F140.02.01	26
81052220	F140.04.01	41
81052221	F140.02.01	22
81052221	F140.04.01	42
81053095	D010.00.02	10
81053215	A040.00.01	19
81099912	B040.00.01	2
81099917	B040.00.01	3
81100258	D060.01.01	9
81100262	D060.02.01	8
81101008	D160.00.01	5
81101008	D160.01.01	5
81101008	D160.02.01	5
81101016	B070.02.01	23
81101017	B060.00.01	5
81101040	D100.00.01	12
81101040	D120.00.01	6
81101040	D140.00.01	11
81101040	D160.00.01	7
81101040	D160.01.01	7
81101040	D160.02.01	7
81101047	D120.00.01	16
81101096	D080.00.01	9
81101097	D080.00.01	10
81101098	D090.00.01	6
81101099	D090.00.01	11
81101101	D090.02.01	28
81101102	D090.02.01	12
81101103	D090.02.01	16
81101106	D090.02.01	29
81101120	D040.04.01	15
81101336	D080.00.01	9
81102156	D140.00.01	4
81102191	D100.00.01	8
81102239	D100.00.01	7
81106018	D090.00.01	10
81106018	D090.02.01	25
81106612	A020.06.01	7

Parça No	Sayfa No	No
Part no	Page No	No
81109220	D040.00.01	4
81109220	D040.01.01	4
81109220	D040.02.01	4
81109220	D040.03.01	4
81109230	D040.00.01	3
81109230	D040.01.01	3
81109230	D040.02.01	3
81109230	D040.03.01	3
81109235	D040.00.01	14
81109235	D040.01.01	17
81109235	D040.02.01	16
81109235	D040.03.01	17
81110030	D090.02.01	11
81117634	D080.00.01	3
81117706	B040.00.01	8
81162217	D100.00.01	12
81162217	D110.09.01	2
81300035	C050.02.01	19
81300035	C090.01.01	16
81300035	C090.01.01	21
81300110	D010.00.01	48
81300110	D080.00.01	7
81300114	D010.00.01	29
81300150	F020.07.01	5
81300150	F020.09.01	5
81300150	F020.10.01	5
81300150	F020.11.01	5
81300150	F030.06.01	2
81300150	F030.07.01	2
81300150	F040.04.01	15
81300150	F040.06.01	15
81300160	B080.01.01	9
81300310	A020.06.01	52
81300345	C130.01.01	16
81300400	D050.01.01	24
81300400	D050.02.01	24
81400155	B090.03.01	9
81400155	B090.03.01	20
81400155	B090.04.01	9
81400155	B090.04.01	20
81400155	C020.01.01	7
81400155	C020.01.01	25
81400155	C030.01.01	7
81400155	C030.01.01	25
81400155	C040.00.01	35
81400158	B090.03.01	2
81400158	B090.03.01	13
81400158	B090.04.01	2
81400158	B090.04.01	13
81400360	F110.01.01	3
81400362	D020.00.01	11
81400362	D020.01.01	11
81400362	D020.02.01	11
81400362	D020.03.01	11
81400362	D020.04.01	11
81400362	F070.05.01	55
81400362	F070.07.01	67
81400362	F070.15.01	55
81400362	F070.16.01	67
81400362	F110.02.01	6
81400362	F140.02.01	11
81400362	F150.08.01	39

Parça No	Sayfa No	No
Part no	Page No	No
81400362	F150.09.01	48
81400370	F070.05.01	2
81400370	F070.07.01	2
81400370	F070.15.01	2
81400370	F070.16.01	2
81400370	F140.04.01	14
81400375	F140.03.01	16
81400375	F140.06.01	12
81401304	F050.34.01	27
81402021	A080.02.01	14
81402021	A080.02.01	14
81402021	C090.01.01	3
81402021	C090.01.01	7
81402021	C090.01.01	19
81402021	C090.01.01	27
81403007	G150.00.01	15
81403012	F070.05.01	56
81403012	F070.15.01	56
81403012	F140.03.01	22
81403012	F140.06.01	14
81403230	F150.07.01	17
81404060	D050.02.01	4
81404060	F020.09.01	44
81404060	F020.11.01	41
81404060	F030.06.01	63
81404060	F030.07.01	63
81404060	F060.07.01	50
81404060	F060.09.01	50
81404060	F060.11.01	50
81404060	F060.13.01	50
81404060	F070.05.01	57
81404060	F070.15.01	57
81404060	F160.04.01	48
81404060	F160.05.01	40
81404060	F160.07.01	48
81404060	F210.01.01	22
81404091	F050.34.01	78
81404091	J010.10.01	38
81404091	J010.08.01	38
81404100	E010.06.01	11
81404102	F050.34.01	53
81405218	F050.33.01	21
81405218	F050.34.01	22
81405218	F070.05.01	49
81405218	F070.07.01	57
81405218	F070.15.01	49
81405218	F070.16.01	57
81405218	F160.04.01	60
81405218	F160.05.01	50
81405218	F160.07.01	60
81405224	D030.02.01	5
81405230	F010.02.01	32
81600101	A050.06.01	22
81600618	C040.00.01	37
81600621	F010.02.01	9
81600720	C080.01.01	5
81601260	C020.01.01	2
81601260	C030.01.01	15
81601270	C020.01.01	15
81601275	C030.01.01	2
81602015	A080.04.01	29
81602015	A090.03.01	60

INDEX

Parça No	Sayfa No	No
Part no	Page No	No
81602044	A050.06.01	23
81602045	A050.06.01	24
81602049	A050.06.01	25
81704156	F010.02.01	43
83007030	J010.10.01	65
83007030	J010.08.01	65
F0122117	Z010.04.01	1
	Z020.04.01	4
	Z020.04.06	2
	Z020.04.06	5
	Z020.04.08	5
	Z020.04.08	21
	Z020.04.13	3
	Z020.04.16	10
	Z020.04.16	10
	Z030.04.05	11
	Z040.04.02	10
	Z040.04.02	12
	Z060.04.03	1
F0178048	Z050.04.01	10
F0182015	Z050.04.01	2
F0182016	Z050.04.01	3
F0182017	Z050.04.01	15
F0182018	Z050.04.01	25
F0182019	Z050.04.01	28
F0182029	Z040.04.03	5
F0182030	Z050.04.01	18
F0182060	Z050.04.01	19
F0182066	Z030.04.04	3
F0182070	Z020.04.07	9
F0182071	Z060.04.07	3
F0182072	Z020.04.08	14
F0182072	Z060.04.04	9
F0182072	Z070.04.01	7
F0182074	Z050.04.01	14
F0182074	Z050.04.03	16
F0182076	Z020.04.04	21
F0182078	Z020.04.04	18
F0182080	Z050.04.01	33
F0182080	Z050.04.01	39
F0182082	Z020.04.10	8
F0182082	Z040.04.07	2
F0182084	Z020.04.08	8
F0182086	Z030.04.06	6
F0182086	Z050.04.01	7
F0182088	Z040.04.01	2
F0182088	Z040.04.02	4
F0182088	Z050.04.03	12
F0182090	Z060.04.05	1
F0182092	Z040.04.02	6
F0182092	Z040.04.04	8
F0182092	Z060.04.03	3
F0182094	Z040.04.04	6
F0182096	Z020.04.14	3
F0182096	Z040.04.02	1
F0182098	Z020.04.08	16
F0182100	Z020.04.16	8
F0182102	Z020.04.08	12
F0182102	Z060.04.05	4
F0182104	Z030.04.05	12
F0182104	Z030.04.07	10
F0182106	Z070.04.02	1

Parça No	Sayfa No	No
Part no	Page No	No
F0182108	Z060.04.04	7
F0182110	Z040.04.02	8
F0182112	Z020.04.16	5
F0182113	Z050.04.03	13
F0182114	Z020.04.13	2
F0182114	Z040.04.06	3
F0182114	Z060.04.04	6
F0182115	Z070.04.01	2
F0182116	Z050.04.01	29
F0182118	Z030.04.01	6
F0182122	Z030.04.05	13
F0182124	Z020.04.08	15
F0182126	Z030.04.01	3
F0182127	Z070.04.01	4
F0182128	Z020.04.15	4
F0182129	Z070.04.01	6
F0182130	Z020.04.08	11
F0182132	Z040.04.03	6
F0182133	Z020.04.05	6
F0182133	Z020.04.10	11
F0182134	Z020.04.10	10
F0182136	Z020.04.08	13
F0182138	Z070.04.03	1
F0182140	Z020.04.08	25
F0182142	Z030.04.01	7
F0182144	Z030.04.04	1
F0182146	Z020.04.09	10
F0182148	Z020.04.04	6
F0182150	Z020.04.15	3
F0182152	Z020.04.07	3
F0182154	Z020.04.09	9
F0182156	Z050.04.01	21
F0182156	Z070.04.03	4
F0182158	Z030.04.05	7
F0182158	Z050.04.01	6
F0182158	Z050.04.02	2
F0182158	Z050.04.03	11
F0182160	Z040.04.04	5
F0182160	Z050.04.01	12
F0182160	Z060.04.02	2
F0182162	Z030.04.07	7
F0182164	Z020.04.08	19
F0182164	Z030.04.01	5
F0182164	Z030.04.05	16
F0182164	Z040.04.06	4
F0182164	Z060.04.06	2
F0182166	Z020.04.08	4
F0182166	Z060.04.08	2
F0182168	Z030.04.07	4
F0182172	Z020.04.06	3
F0182174	Z050.04.01	23
F0182176	Z020.04.04	22
F0182180	Z020.04.02	10
F0182182	Z040.04.02	11
F0182184	Z020.04.01	1
F0182186	Z040.04.02	2
F0182188	Z020.04.06	7
F0182190	Z060.04.05	2
F0182192	Z020.04.09	12
F0182194	Z020.04.02	5
F0182196	Z020.04.02	3
F0182198	Z020.04.07	5

Parça No	Sayfa No	No
Part no	Page No	No
F0182200	Z060.04.04	3
F0182202	Z020.04.08	28
F0182204	Z020.04.09	11
F0182206	Z020.04.04	12
F0182206	Z020.04.16	11
F0182208	Z020.04.16	6
F0182209	Z050.04.03	14
F0182210	Z030.04.02	4
F0182212	Z020.04.09	1
F0182214	Z020.04.04	8
F0182216	Z020.04.02	17
F0182218	Z020.04.04	9
F0182220	Z020.04.05	2
F0182222	Z020.04.16	3
F0182224	Z030.04.04	2
F0182226	Z020.04.16	4
F0182228	Z020.04.09	6
F0182230	Z040.04.07	1
F0182232	Z020.04.10	9
F0182234	Z030.04.04	6
F0182236	Z020.04.08	7
F0182238	Z020.04.08	6
F0182242	Z020.04.07	10
F0182244	Z020.04.09	5
F0182246	Z020.04.06	6
F0182248	Z020.04.08	20
F0182248	Z040.04.04	9
F0182250	Z020.04.07	2
F0182252	Z050.04.04	5
F0182254	Z040.04.04	7
F0182254	Z040.04.04	11
F0182258	Z020.04.08	22
F0182260	Z030.04.05	5
F0182262	Z030.04.05	4
F0182264	Z020.04.07	12
F0182266	Z020.04.07	4
F0182268	Z020.04.01	2
F0182270	Z020.04.01	3
F0182272	Z020.04.09	13
F0182274	Z030.04.06	2
F0182276	Z050.04.03	8
F0182278	Z020.04.13	1
F0182280	Z020.04.06	9
F0182282	Z020.04.04	19
F0182283	Z040.04.01	1
F0182284	Z020.04.09	8
F0182286	Z020.04.08	26
F0182288	Z020.04.10	3
F0182290	Z070.04.02	2
F0182292	Z050.04.01	13
F0182294	Z020.04.04	5
F0182296	Z060.04.06	3
F0182298	Z020.04.16	7
F0182300	Z050.04.04	6
F0182301	Z060.04.07	1
F0182302	Z020.04.09	3
F0182304	Z020.04.09	2
F0182306	Z040.04.02	7
F0182308	Z040.04.02	3
F0182310	Z020.04.14	2
F0182312	Z050.04.01	16
F0182314	Z020.04.09	4

INDEX

Parça No	Sayfa No	No
Part no	Page No	No
F0182316	Z030.04.02	5
F0182317	Z070.04.01	3
F0182318	Z060.04.04	4
F0182319	Z070.04.01	5
F0182320	Z020.04.02	14
F0182322	Z020.04.04	10
F0182324	Z020.04.02	9
F0182326	Z020.04.11	2
F0182328	Z020.04.10	2
F0182330	Z020.04.02	7
F0182332	Z020.04.04	7
F0182332	Z020.04.05	7
F0182333	Z070.04.01	8
F0182334	Z070.04.01	10
F0182335	Z070.04.01	12
F0182336	Z020.04.16	9
F0182337	Z070.04.01	13
F0182338	Z050.04.04	3
F0182339	Z070.04.01	14
F0182340	Z050.04.02	8
F0182340	Z050.04.04	4
F0182341	Z070.04.01	15
F0182342	Z030.04.07	8
F0182343	Z070.04.01	16
F0182344	Z020.04.06	10
F0182345	Z070.04.01	17
F0182346	Z040.04.04	2
F0182348	Z040.04.04	10
F0182350	Z030.04.05	9
F0182351	Z060.04.07	4
F0182352	Z070.04.03	6
F0182356	Z030.04.07	5
F0182358	Z030.04.03	2
F0182360	Z030.04.03	3
F0182362	Z040.04.04	1
F0182364	Z020.04.01	6
F0182364	Z030.04.02	2
F0182369	Z020.04.10	1
F0182370	Z060.04.04	2
F0182372	Z020.04.08	24
F0182372	Z030.04.05	10
F0182374	Z060.04.04	5
F0182375	Z020.04.10	5
F0182376	Z020.04.12	3
F0182377	Z020.04.10	7
F0182378	Z020.04.05	3
F0182380	Z020.04.12	2
F0182382	Z020.04.12	1
F0182384	Z020.04.15	1
F0182390	Z020.04.08	2
F0182392	Z070.04.02	3
F0182394	Z030.04.01	1
F0182396	Z050.04.01	30
F0182398	Z020.04.01	8
F0182402	Z050.04.01	26
F0182403	Z050.04.02	10
F0182403	Z050.04.03	2
F0182404	Z060.04.03	4
F0182406	Z020.04.07	6
F0182408	Z050.04.03	17
F0182410	Z050.04.01	27
F0182412	Z020.04.10	4

Parça No	Sayfa No	No
Part no	Page No	No
F0182414	Z030.04.01	9
F0182416	Z060.04.04	8
F0182418	Z050.04.01	4
F0182422	Z030.04.06	1
F0182423	Z050.04.03	9
F0182424	Z030.04.06	5
F0182426	A050.06.01	28
F0182426	Z070.04.03	5
F0182428	Z020.04.02	16
F0182430	Z040.04.06	1
F0182432	Z020.04.02	6
F0182436	Z020.04.02	12
F0182438	Z050.04.01	24
F0182440	Z020.04.04	17
F0182440	Z030.04.04	4
F0182442	Z020.04.02	4
F0182444	Z020.04.02	4
F0182446	Z020.04.02	6
F0182448	Z020.04.02	6
F0182450	Z020.04.02	4
F0182451	Z040.04.06	2
F0182452	Z050.04.01	32
F0182454	Z050.04.01	38
F0182456	Z020.04.02	15
F0182460	Z040.04.04	4
F0182462	Z020.04.08	18
F0182462	Z030.04.01	4
F0182462	Z030.04.05	15
F0182462	Z040.04.06	5
F0182462	Z060.04.06	1
F0182464	Z030.04.05	6
F0182464	Z050.04.02	1
F0182464	Z050.04.03	18
F0182466	Z020.04.06	8
F0182468	Z070.04.03	2
F0182470	Z030.04.02	7
F0182472	Z020.04.16	2
F0182474	Z020.04.16	1
F0182476	Z060.04.07	2
F0182480	Z050.04.01	11
F0182480	Z060.04.02	3
F0182482	Z040.04.02	9
F0182484	Z050.04.04	1
F0182488	Z030.04.07	2
F0182492	Z030.04.04	5
F0182494	Z030.04.07	3
F0182496	Z020.04.04	13
F0182498	Z020.04.08	17
F0182500	Z020.04.05	1
F0182501	Z020.04.04	1
F0182502	Z030.04.06	4
F0182504	Z050.04.04	2
F0182506	Z020.04.06	4
F0182508	Z020.04.04	2
F0182510	Z020.04.07	8
F0182512	Z020.04.08	23
F0182513	Z050.04.03	7
F0182514	Z030.04.05	8
F0182516	Z020.04.09	7
F0182518	Z030.04.07	1
F0182520	Z060.04.04	1
F0182523	Z050.04.03	19

Parça No	Sayfa No	No
Part no	Page No	No
F0182524	Z020.04.08	9
F0182525	Z050.04.02	11
F0182525	Z050.04.03	3
F0182526	Z020.04.08	3
F0182527	Z050.04.02	12
F0182527	Z050.04.03	6
F0182528	Z020.04.15	2
F0182530	Z060.04.08	1
F0182532	Z020.04.07	1
F0182536	Z040.04.05	1
F0182538	Z030.04.07	6
F0182542	Z050.04.01	37
F0182544	Z050.04.01	36
F0182545	Z050.04.02	6
F0182546	Z050.04.01	34
F0182548	Z050.04.01	35
F0182550	Z020.04.02	1
F0182552	Z020.04.04	4
F0182556	Z050.04.01	22
F0182558	Z050.04.01	31
F0182560	Z020.04.08	1
F0182564	Z020.04.01	5
F0182564	Z030.04.02	1
F0182566	Z050.04.01	1
F0182568	Z020.04.06	1
F0182569	Z050.04.01	17
F0182570	Z020.04.08	27
F0182572	Z030.04.01	8
F0182573	Z070.04.01	11
F0182575	Z050.04.02	4
F0182576	Z030.04.05	2
F0182577	Z050.04.02	7
F0182578	Z030.04.01	2
F0182580	Z060.04.03	2
F0182582	Z020.04.02	13
F0182583	Z050.04.01	20
F0182584	Z050.04.01	5
F0182584	Z050.04.03	10
F0182585	Z050.04.02	3
F0182586	Z070.04.03	3
F0182587	Z050.04.03	4
F0182588	Z020.04.04	14
F0182589	Z070.04.01	1
F0182590	Z020.04.05	4
F0182592	Z020.04.05	5
F0182593	Z050.04.02	15
F0182594	Z020.04.06	11
F0182596	Z020.04.06	11
F0182598	Z020.04.05	4
F0182600	Z020.04.05	5
F0182601	Z070.04.01	9
F0182602	Z050.04.01	9
F0182604	Z030.04.05	1
F0182606	Z030.04.02	3
F0182606	Z030.04.05	14
F0182606	Z030.04.07	9
F0182608	Z020.04.08	10
F0182608	Z030.04.02	6
F0182610	Z030.04.03	1
F0182612	Z020.04.01	7
F0182614	Z020.04.02	11
F0182614	Z020.04.04	20

INDEX

Parça No	Sayfa No	No
Part no	Page No	No
F0182616	Z050.04.03	15
F0182618	Z030.04.05	3
F0182620	Z020.04.10	6
F0182621	Z050.04.02	5
F0182622	Z040.04.02	5
F0182624	Z020.04.04	11
F0182626	Z020.04.04	15
F0182628	Z020.04.07	11
F0182630	Z020.04.07	7
F0182632	Z020.04.14	1
F0182634	Z020.04.04	16
F0182636	Z020.04.02	8
F0182638	Z050.04.01	8
F0182640	Z030.04.06	3
F0182642	Z020.04.04	3
F0182642	Z060.04.06	4
F0183009	Z020.04.11	1
F0192132	Z040.04.04	3
F0310183	E060.02.11	2
F0310184	E060.01.11	3
F0310184	E060.02.11	3
F0310185	E060.01.11	4
F0310185	E060.02.11	4
F0310186	E060.01.11	5
F0310186	E060.02.11	5
F0310187	E060.01.11	6
F0310187	E060.02.11	6
F0310188	E060.01.11	7
F0310188	E060.02.11	7
F0310189	E060.02.12	2
F0310190	E060.01.12	3
F0310190	E060.02.12	3
F0310191	E060.01.12	4
F0310191	E060.02.12	4
F0310192	E060.01.12	17
F0310192	E060.02.12	17
F0310193	E060.01.12	18
F0310193	E060.02.12	18
F0315803	E060.01.04	22
F0315803	E060.02.04	22
F0315816	E060.02.01	1
F0315817	E060.01.01	1
F0340000	E060.02.02	1
F0340001	E060.02.02	2
F0340002	E060.02.02	3
F0340003	E060.01.02	4
F0340003	E060.02.02	4
F0340004	E060.01.03	1
F0340004	E060.02.03	1
F0340005	E060.01.03	2
F0340005	E060.02.03	2
F0340006	E060.01.03	3
F0340006	E060.02.03	3
F0340007	E060.01.03	4
F0340007	E060.02.03	4
F0340008	E060.01.03	4
F0340008	E060.02.03	4
F0340009	E060.01.03	4
F0340009	E060.02.03	4
F0340009	E060.02.10	0
F0340010	E060.01.03	5
F0340010	E060.02.03	5

Parça No	Sayfa No	No
Part no	Page No	No
F0340011	E060.01.04	1
F0340011	E060.02.04	1
F0340012	E060.01.04	2
F0340012	E060.02.04	2
F0340013	E060.01.04	3
F0340013	E060.02.04	3
F0340014	E060.01.04	4
F0340014	E060.01.06	10
F0340014	E060.02.04	4
F0340014	E060.02.06	10
F0340015	E060.01.04	4
F0340015	E060.01.04	7
F0340015	E060.01.04	11
F0340015	E060.01.06	10
F0340015	E060.02.04	4
F0340015	E060.02.04	7
F0340015	E060.02.04	11
F0340015	E060.02.06	10
F0340016	E060.01.04	4
F0340016	E060.01.06	10
F0340016	E060.02.04	4
F0340016	E060.02.06	10
F0340017	E060.01.04	5
F0340017	E060.02.04	5
F0340018	E060.01.04	5
F0340018	E060.01.04	5
F0340018	E060.02.04	5
F0340018	E060.02.04	5
F0340019	E060.01.04	5
F0340019	E060.01.04	5
F0340019	E060.02.04	5
F0340019	E060.02.04	5
F0340020	E060.01.04	5
F0340020	E060.02.04	5
F0340023	E060.01.04	6
F0340023	E060.02.04	6
F0340024	E060.01.04	6
F0340024	E060.02.04	6
F0340025	E060.01.04	6
F0340025	E060.02.04	6
F0340026	E060.01.04	6
F0340026	E060.02.04	6
F0340031	E060.01.04	9
F0340031	E060.02.04	9
F0340032	E060.01.04	9
F0340032	E060.02.04	9
F0340033	E060.01.04	9
F0340033	E060.02.04	9
F0340034	E060.01.04	10
F0340034	E060.02.04	10
F0340035	E060.01.04	11
F0340035	E060.02.04	11
F0340036	E060.01.04	11
F0340036	E060.02.04	11
F0340037	E060.01.04	12
F0340037	E060.01.04	24
F0340037	E060.02.04	12
F0340037	E060.02.04	24
F0340038	E060.01.04	13
F0340038	E060.02.04	13
F0340039	E060.01.04	14
F0340039	E060.02.04	14

Parça No	Sayfa No	No
Part no	Page No	No
F0340040	E060.01.04	15
F0340040	E060.02.04	15
F0340041	E060.01.04	16
F0340041	E060.02.04	16
F0340042	E060.01.04	17
F0340042	E060.01.06	1
F0340042	E060.02.04	17
F0340042	E060.02.06	1
F0340043	E060.01.04	18
F0340043	E060.01.06	2
F0340043	E060.02.04	18
F0340043	E060.02.06	2
F0340044	E060.01.04	19
F0340044	E060.02.04	19
F0340045	E060.01.04	20
F0340045	E060.02.04	20
F0340046	E060.01.04	21
F0340046	E060.02.04	21
F0340047	E060.01.04	21
F0340047	E060.02.04	21
F0340048	E060.01.04	21
F0340048	E060.02.04	21
F0340050	E060.01.04	23
F0340050	E060.02.04	23
F0340052	E060.01.04	25
F0340052	E060.02.04	25
F0340053	E060.01.04	25
F0340053	E060.02.04	25
F0340054	E060.01.04	25
F0340054	E060.02.04	25
F0340055	E060.01.04	26
F0340055	E060.01.06	18
F0340055	E060.02.04	26
F0340055	E060.02.06	18
F0340056	E060.01.04	27
F0340056	E060.02.04	27
F0340057	E060.01.04	28
F0340057	E060.02.04	28
F0340058	E060.01.04	29
F0340058	E060.01.05	4
F0340058	E060.02.04	29
F0340058	E060.02.05	4
F0340059	E060.01.04	30
F0340059	E060.02.04	30
F0340060	E060.01.04	31
F0340060	E060.02.04	31
F0340061	E060.01.04	32
F0340061	E060.01.06	15
F0340061	E060.02.04	32
F0340061	E060.02.06	15
F0340062	E060.01.04	33
F0340062	E060.01.06	16
F0340062	E060.02.04	33
F0340062	E060.02.06	16
F0340063	E060.01.04	34
F0340063	E060.01.06	17
F0340063	E060.02.04	34
F0340063	E060.02.06	17
F0340064	E060.01.04	34
F0340064	E060.01.06	17
F0340064	E060.02.04	34
F0340064	E060.02.06	17

INDEX

Parça No	Sayfa No	No
Part no	Page No	No
F0340065	E060.01.04	35
F0340065	E060.01.06	14
F0340065	E060.02.04	35
F0340065	E060.02.06	14
F0340066	E060.02.04	36
F0340067	E060.01.05	0
F0340067	E060.02.05	0
F0340068	E060.01.05	1
F0340068	E060.02.05	1
F0340069	E060.01.05	2
F0340069	E060.02.05	2
F0340070	E060.01.05	3
F0340070	E060.02.05	3
F0340071	E060.01.05	5
F0340071	E060.02.05	5
F0340072	E060.01.05	6
F0340072	E060.02.05	6
F0340073	E060.01.05	6
F0340073	E060.01.05	7
F0340073	E060.01.05	11
F0340073	E060.02.05	6
F0340073	E060.02.05	7
F0340073	E060.02.05	11
F0340074	E060.01.05	6
F0340074	E060.02.05	6
F0340075	E060.01.05	6
F0340075	E060.01.05	7
F0340075	E060.01.05	11
F0340075	E060.02.05	6
F0340075	E060.02.05	7
F0340075	E060.02.05	11
F0340076	E060.01.05	6
F0340076	E060.01.05	7
F0340076	E060.01.05	11
F0340076	E060.02.05	6
F0340076	E060.02.05	7
F0340076	E060.02.05	11
F0340077	E060.01.05	6
F0340077	E060.01.05	7
F0340077	E060.02.05	6
F0340077	E060.02.05	7
F0340078	E060.01.05	7
F0340078	E060.02.05	7
F0340080	E060.01.05	7
F0340080	E060.01.05	11
F0340080	E060.02.05	7
F0340080	E060.02.05	11
F0340082	E060.01.05	8
F0340082	E060.02.05	8
F0340083	E060.01.05	9
F0340083	E060.02.05	9
F0340084	E060.01.05	10
F0340084	E060.02.05	10
F0340085	E060.01.05	11
F0340085	E060.02.05	11
F0340088	E060.01.05	12
F0340088	E060.02.05	12
F0340089	E060.01.06	3
F0340089	E060.02.06	3
F0340090	E060.01.06	4
F0340090	E060.02.06	4
F0340091	E060.01.06	5

Parça No	Sayfa No	No
Part no	Page No	No
F0340091	E060.01.06	8
F0340091	E060.02.06	5
F0340091	E060.02.06	8
F0340092	E060.01.06	5
F0340092	E060.01.06	8
F0340092	E060.02.06	5
F0340092	E060.02.06	8
F0340093	E060.01.06	5
F0340093	E060.01.06	8
F0340093	E060.02.06	5
F0340093	E060.02.06	8
F0340094	E060.01.06	5
F0340094	E060.01.06	8
F0340094	E060.02.06	5
F0340094	E060.02.06	8
F0340095	E060.01.06	5
F0340095	E060.01.06	8
F0340095	E060.02.06	5
F0340095	E060.02.06	8
F0340096	E060.01.06	6
F0340096	E060.02.06	6
F0340097	E060.01.06	6
F0340097	E060.02.06	6
F0340098	E060.01.06	6
F0340098	E060.02.06	6
F0340099	E060.01.06	6
F0340099	E060.02.06	6
F0340100	E060.01.06	6
F0340100	E060.02.06	6
F0340101	E060.01.06	7
F0340101	E060.02.06	7
F0340102	E060.01.06	7
F0340102	E060.02.06	7
F0340103	E060.01.06	7
F0340103	E060.02.06	7
F0340104	E060.01.06	7
F0340104	E060.02.06	7
F0340105	E060.01.06	7
F0340105	E060.02.06	7
F0340106	E060.01.06	9
F0340106	E060.02.06	9
F0340109	E060.01.06	11
F0340109	E060.02.06	11
F0340110	E060.01.06	12
F0340110	E060.02.06	12
F0340111	E060.01.06	13
F0340111	E060.02.06	13
F0340112	E060.01.06	19
F0340112	E060.02.06	19
F0340113	E060.01.06	20
F0340113	E060.02.06	20
F0340114	E060.01.06	21
F0340114	E060.02.06	21
F0340115	E060.01.06	22
F0340115	E060.02.06	22
F0340116	E060.02.06	23
F0340117	E060.01.07	1
F0340117	E060.02.07	1
F0340118	E060.01.07	2
F0340118	E060.01.09	1
F0340118	E060.01.10	2
F0340118	E060.02.07	2

Parça No	Sayfa No	No
Part no	Page No	No
F0340118	E060.02.09	1
F0340118	E060.02.10	2
F0340119	E060.01.07	2
F0340119	E060.01.09	1
F0340119	E060.01.10	2
F0340119	E060.02.07	2
F0340119	E060.02.09	1
F0340119	E060.02.10	2
F0340120	E060.01.07	3
F0340120	E060.01.08	3
F0340120	E060.01.12	15
F0340120	E060.02.07	3
F0340120	E060.02.08	3
F0340120	E060.02.12	15
F0340121	E060.01.07	4
F0340121	E060.01.08	2
F0340121	E060.01.12	14
F0340121	E060.02.07	4
F0340121	E060.02.08	2
F0340121	E060.02.12	14
F0340122	E060.01.07	5
F0340122	E060.02.07	5
F0340123	E060.01.07	6
F0340123	E060.01.08	5
F0340123	E060.01.12	16
F0340123	E060.02.07	6
F0340123	E060.02.08	5
F0340123	E060.02.12	16
F0340124	E060.01.07	7
F0340124	E060.02.07	7
F0340125	E060.01.07	8
F0340125	E060.01.08	7
F0340125	E060.01.12	19
F0340125	E060.02.07	8
F0340125	E060.02.08	7
F0340125	E060.02.12	19
F0340126	E060.01.07	9
F0340126	E060.02.07	9
F0340127	E060.01.07	10
F0340127	E060.01.08	9
F0340127	E060.01.09	8
F0340127	E060.01.10	16
F0340127	E060.01.12	10
F0340127	E060.02.07	10
F0340127	E060.02.08	9
F0340127	E060.02.09	8
F0340127	E060.02.10	16
F0340127	E060.02.12	10
F0340128	E060.01.07	11
F0340128	E060.02.07	11
F0340129	E060.01.07	12
F0340129	E060.01.08	11
F0340129	E060.01.09	10
F0340129	E060.01.10	9
F0340129	E060.01.12	12
F0340129	E060.02.07	12
F0340129	E060.02.08	11
F0340129	E060.02.09	10
F0340129	E060.02.10	9
F0340129	E060.02.12	12
F0340130	E060.01.07	13
F0340130	E060.02.07	13

INDEX

Parça No	Sayfa No	No
Part no	Page No	No
F0340131	E060.01.07	14
F0340131	E060.02.07	14
F0340132	E060.01.07	15
F0340132	E060.02.07	15
F0340133	E060.01.07	16
F0340133	E060.01.09	4
F0340133	E060.01.10	11
F0340133	E060.01.12	7
F0340133	E060.02.07	16
F0340133	E060.02.09	4
F0340133	E060.02.10	11
F0340133	E060.02.12	7
F0340134	E060.01.07	17
F0340134	E060.01.09	6
F0340134	E060.01.10	12
F0340134	E060.01.12	6
F0340134	E060.02.07	17
F0340134	E060.02.09	6
F0340134	E060.02.10	12
F0340134	E060.02.12	6
F0340135	E060.01.07	18
F0340135	E060.01.09	5
F0340135	E060.01.10	10
F0340135	E060.01.12	8
F0340135	E060.02.07	18
F0340135	E060.02.09	5
F0340135	E060.02.10	10
F0340135	E060.02.12	8
F0340136	E060.01.08	1
F0340136	E060.02.08	1
F0340137	E060.01.08	1
F0340137	E060.02.08	1
F0340138	E060.02.08	0
F0340139	E060.01.09	0
F0340139	E060.02.09	0
F0340140	E060.01.08	4
F0340140	E060.01.09	11
F0340140	E060.01.12	13
F0340140	E060.02.08	4
F0340140	E060.02.09	11
F0340140	E060.02.12	13
F0340141	E060.02.08	6
F0340143	E060.01.08	8
F0340143	E060.01.09	7
F0340143	E060.01.10	15
F0340143	E060.01.12	9
F0340143	E060.02.08	8
F0340143	E060.02.09	7
F0340143	E060.02.10	15
F0340143	E060.02.12	9
F0340144	E060.01.08	10
F0340144	E060.01.09	9
F0340144	E060.01.10	8
F0340144	E060.01.12	11
F0340144	E060.02.08	10
F0340144	E060.02.09	9
F0340144	E060.02.10	8
F0340144	E060.02.12	11
F0340145	E060.01.08	12
F0340145	E060.02.08	12
F0340146	E060.01.08	13
F0340146	E060.02.08	13

Parça No	Sayfa No	No
Part no	Page No	No
F0340147	E060.01.08	14
F0340147	E060.02.08	14
F0340148	E060.01.08	15
F0340148	E060.02.08	15
F0340149	E060.01.08	16
F0340149	E060.02.08	16
F0340150	E060.01.08	17
F0340150	E060.02.08	17
F0340151	E060.01.08	18
F0340151	E060.02.08	18
F0340152	E060.01.08	19
F0340152	E060.01.12	1
F0340152	E060.02.08	19
F0340152	E060.02.12	1
F0340153	E060.01.08	19
F0340153	E060.01.12	1
F0340153	E060.02.08	19
F0340153	E060.02.12	1
F0340154	E060.01.08	20
F0340154	E060.02.08	20
F0340155	E060.01.08	21
F0340155	E060.02.08	21
F0340156	E060.01.08	22
F0340156	E060.02.08	22
F0340157	E060.01.08	23
F0340157	E060.02.08	23
F0340158	E060.01.08	24
F0340158	E060.02.08	24
F0340159	E060.01.08	25
F0340159	E060.02.08	25
F0340160	E060.01.09	2
F0340160	E060.02.09	2
F0340161	E060.01.09	3
F0340161	E060.01.10	13
F0340161	E060.01.12	5
F0340161	E060.02.09	3
F0340161	E060.02.10	13
F0340161	E060.02.12	5
F0340169	E060.01.09	12
F0340169	E060.01.10	3
F0340169	E060.02.09	12
F0340169	E060.02.10	3
F0340170	E060.01.09	13
F0340170	E060.01.10	4
F0340170	E060.02.09	13
F0340170	E060.02.10	4
F0340171	E060.01.09	14
F0340171	E060.01.10	21
F0340171	E060.02.09	14
F0340171	E060.02.10	21
F0340172	E060.01.09	15
F0340172	E060.01.10	19
F0340172	E060.02.09	15
F0340172	E060.02.10	19
F0340173	E060.01.09	16
F0340173	E060.01.10	20
F0340173	E060.02.09	16
F0340173	E060.02.10	20
F0340174	E060.01.09	17
F0340174	E060.01.10	7
F0340174	E060.02.09	17
F0340174	E060.02.10	7

Parça No	Sayfa No	No
Part no	Page No	No
F0340175	E060.01.10	1
F0340175	E060.02.10	1
F0340176	E060.01.10	5
F0340176	E060.02.10	5
F0340177	E060.01.10	6
F0340177	E060.02.10	6
F0340178	E060.02.10	14
F0340179	E060.01.10	17
F0340179	E060.02.10	17
F0340180	E060.01.10	17
F0340180	E060.02.10	17
F0340181	E060.01.10	18
F0340181	E060.01.11	1
F0340181	E060.02.10	18
F0340181	E060.02.11	1
F0340218	E060.02.02	0
F0340220	E060.01.02	0
F0340221	E060.01.02	1
F0340222	E060.01.02	2
F0340223	E060.01.02	3
F0340224	E060.01.03	0
F0340224	E060.02.03	0
F0340225	E060.01.04	36
F0340226	E060.01.06	23
F0340227	E060.01.07	0
F0340227	E060.02.07	0
F0340228	E060.01.08	0
F0340207	E060.01.08	6
F0340230	E060.01.10	0
F0340231	E060.01.10	14
F0340232	E060.01.11	0
F0340233	E060.01.11	2
F0340234	E060.01.12	0
F0340235	E060.01.12	2
F0340237	E060.02.12	0
F0616572	E050.03.01	1
F0616691	E040.04.01	1
F0617090	F030.06.01	35
F0617090	F030.07.01	35
F0617090	K010.08.01	17
F0617090	K010.09.01	17
F0618953	E010.06.01	22
F0618954	E010.06.01	23
F1010060	E010.06.01	9
F1010061	E010.06.01	10
F1012198	E010.06.01	6
F1012199	E010.06.01	5
F1417800	D160.01.01	20
F1417800	D160.02.01	20
F1442784	G020.00.01	0
F1473114	G010.01.01	0
F1822500	F060.07.01	29
F1822500	F060.08.01	29
F1822500	F060.09.01	29
F1822500	F060.10.01	29
F1822500	F060.11.01	29
F1822500	F060.12.01	29
F1822500	F060.13.01	29
F1822500	F060.14.01	29
F1822631	F040.03.01	11
F1822631	F060.08.01	62
F1822631	F060.10.01	62

INDEX

Parça No	Sayfa No	No
Part no	Page No	No
F1822631	F060.12.01	62
F1822631	F060.14.01	62
F1822631	F150.05.01	24
F1822631	F150.06.01	30
F1822631	F150.07.01	34
F1822734	F020.07.01	19
F1822734	F020.09.01	19
F1822734	F020.10.01	19
F1822734	F020.11.01	19
F1823810	F120.03.01	2
F1824001	G030.01.01	0
F1824011	G030.02.01	0
F1824100	G040.07.01	0
F1824120	G040.03.01	0
F1824195	G040.06.01	0
F1824200	G040.02.01	0
F1851000	F050.34.01	54
F1861530	J010.10.01	22
F1861530	J010.08.01	22
F1873132	F050.34.01	75
F1873133	F030.06.01	80
F1873133	F030.07.01	80
F1873133	G290.00.01	0
F1888000	D040.04.01	40
F1888000	D050.01.01	11
F1888011	D050.02.01	11
F1888011	F160.04.01	50
F1888011	F160.05.01	30
F1888011	F160.07.01	50
F1888011	F210.01.01	17
F1888110	G300.00.01	0
F1890500	D150.06.01	19
F1891002	F050.34.01	89
F1899100	F190.02.01	3
F1899220	F180.00.01	14
F1899229	F070.15.01	66
F1899229	F070.16.01	75
F1899250	J010.10.01	35
F1899250	J010.08.01	35
F1899400	F090.01.01	3
F1899401	F090.01.01	3
F1899401	F090.03.01	2
F2111061	H010.00.01	34
F2121056	H010.03.01	36
F2190005	C130.01.01	25
F2190010	C130.01.01	26
F2190015	C130.01.01	23
F2190020	C130.01.01	24
F2511228	A060.00.01	20
F2511623	A060.00.01	13
F2511633	A060.00.01	0
F2513111	A060.00.01	5
F2520012	A090.03.01	31
F2520460	A080.04.01	34
F2520460	A090.03.01	65
F2520506	C080.01.01	15
F2520506	C090.01.01	33
F2520514	A080.02.01	3
F2520514	A080.02.01	3
F2520514	C050.02.01	10
F2520514	C080.01.01	14
F2520514	C090.01.01	12

Parça No	Sayfa No	No
Part no	Page No	No
F2520514	C090.01.01	32
F2520631	A090.02.02	1
F2520634	A080.02.02	0
F2520635	A080.02.02	2
F2520637	A090.02.02	0
F2523160	A090.02.02	2
F2594011	A090.03.01	47
F2594012	A090.03.01	43
F2594013	A090.02.02	5
F2810112	C090.01.01	13
F2813052	A030.00.01	10
F2813052	A030.01.01	10
F2813053	A030.00.01	11
F2813053	A030.01.01	11
F2813056	A030.00.01	14
F2813056	A030.01.01	14
F2813500	A030.00.01	1
F2814100	Z050.04.03	1
F2814101	Z050.04.02	9
F2815012	A030.01.01	1
F2815040	A030.01.01	3
F2826510	Z030.04.07	11
F2834000	F010.02.01	50
F2835500	F010.02.01	28
F2850011	F010.02.01	37
F2850900	F010.02.01	35
F2851001	F010.02.01	38
F2851002	F010.02.01	39
F2851003	F010.02.01	36
F2851004	F010.02.01	40
F2851005	F010.02.01	41
F2891510	Z050.04.02	14
F2891515	Z050.04.03	5
F2891551	A070.06.01	15
F2891602	Z050.04.02	13
F2893010	A030.00.01	26
F2893010	A030.01.01	26
F2893011	A030.00.01	27
F2893011	A030.01.01	27
F2893013	A030.00.01	30
F2893013	A030.01.01	30
F2893014	A030.00.01	25
F2893014	A030.01.01	25
F2893015	A030.00.01	28
F2893015	A030.01.01	28
F2893016	A030.00.01	29
F2893016	A030.01.01	29
F2893017	A030.00.01	31
F2893017	A030.01.01	31
F3013040	E070.00.01	11
F3013101	E070.00.01	14
F3092310	E070.00.01	1
F3093505	J010.08.01	73
F3093516	F070.10.01	10
F3093516	F070.10.01	10
F3093531	F030.06.01	69
F3093531	F030.07.01	69
F3093531	F050.34.01	84
F3093531	F060.07.01	30
F3093531	F060.08.01	30
F3093531	F060.09.01	30
F3093531	F060.10.01	30

Parça No	Sayfa No	No
Part no	Page No	No
F3093531	F060.11.01	30
F3093531	F060.12.01	30
F3093531	F060.13.01	30
F3093531	F060.14.01	30
F3093532	F030.06.01	69
F3093532	F030.07.01	69
F3093532	F060.07.01	30
F3093532	F060.08.01	30
F3093532	F060.09.01	30
F3093532	F060.10.01	30
F3093532	F060.11.01	30
F3093532	F060.12.01	30
F3093532	F060.13.01	30
F3093532	F060.14.01	30
F3112015	A020.06.01	15
F3112023	A080.04.01	3
F3112023	A090.03.01	3
F3113110	B070.02.01	15
F3113111	C110.01.01	11
F3113111	C120.01.01	6
F3113120	B070.01.01	15
F3113208	A020.06.01	31
F3113209	A020.06.01	28
F3114003	A020.06.01	13
F3114351	C110.01.01	12
F3114351	C120.01.01	7
F3210530	K010.02.06	2A
F3210565	K010.01.03	28
F3210568	K010.01.03	25
F3210640	K010.01.03	29
F3210645	K010.01.03	30
F3210775	C010.02.01	1
F3218104	C020.01.01	38
F3218108	C030.01.01	38
F3218600	C050.02.01	14
F3218691	C050.02.01	12
F3220175	C060.01.01	5
F3220175	C060.03.01	1
F3220176	C060.03.01	13
F3220177	C060.01.01	4
F3220179	A090.02.02	4
F3220180	C090.01.01	38
F3220181	A080.02.01	17
F3220181	A080.02.01	17
F3220182	A080.02.01	16
F3220182	A080.02.01	16
F3220183	C080.01.01	18
F3220186	K010.08.01	11
F3220186	K010.09.01	11
F3221032	K010.01.03	16
F3221033	K010.01.03	18
F3221064	K010.01.03	20
F3221068	K010.01.03	17
F3300600	C040.00.01	1
F3321002	C040.00.01	24
F3321014	C040.00.01	2
F3321022	C020.01.01	22
F3321027	C030.01.01	22
F3321041	C040.00.01	25
F3321046	C040.00.01	26
F3321112	C020.01.01	36
F3321113	C030.01.01	36

INDEX

Parça No	Sayfa No	No
Part no	Page No	No
F3321114	C020.01.01	37
F3321115	C030.01.01	37
F4190726	E020.00.01	2
F4190727	E020.01.01	2
F4190967	E030.01.01	2
F4190967	E030.03.01	2
F4190969	E030.02.01	2
F4263410	E030.02.01	1
F4264200	E030.03.01	1
F4264500	E020.00.01	1
F4264600	E020.01.01	1
F4264800	E030.01.01	1
F4501030	D150.06.01	4
F4501030	D150.06.02	0
F4501060	D150.06.01	5
F4501065	D150.06.01	5
F4501420	D150.05.02	32
F4501420	D150.10.02	39
F4501425	D150.05.02	32
F4501425	D150.10.02	39
F4501430	D150.05.02	32
F4501432	D150.05.02	32
F4502960	D150.07.02	0
F4503210	D150.07.01	16
F4503210	D150.07.02	96
F4503211	D150.07.02	96
F4503212	D150.07.02	96
F4503213	D150.07.02	96
F4503214	D150.07.02	96
F4503215	D150.07.02	96
F4504000	D150.08.01	1
F4504000	D150.08.02	0
F4504010	D150.09.01	1
F4504010	D150.09.02	0
F4504013	D150.00.02	0
F4504015	D150.01.02	0
F4504100	D150.08.01	7
F4504120	D150.08.01	7
F4504130	D150.00.02	8
F4504130	D150.01.02	36
F4504135	D150.00.02	8
F4504135	D150.01.02	36
F4504170	D150.10.01	1
F4504170	D150.10.02	0
F4504305	D150.04.02	0
F4504370	D150.05.02	0
F4700251	C140.00.02	0
F4700251	C140.02.01	1
F4700300	C140.01.02	0
F4700300	C140.03.01	1
F4901000	D160.01.01	22
F4901000	D160.02.01	22
F4901070	D160.00.01	22
F4901070	D160.01.01	22
F4901070	D160.02.01	22
F4901090	D160.00.01	24
F4901090	D160.01.01	24
F4901090	D160.02.01	24
F4902000	D160.00.01	20
F4902010	D160.00.01	39
F4902021	D160.00.01	40
F4902030	D160.00.01	38

Parça No	Sayfa No	No
Part no	Page No	No
F4902090	D160.00.01	37
F9900080	K010.01.03	26
F9900350	D150.00.01	3
F9900350	D150.01.01	3
F9900350	D150.07.01	20
F9900350	D150.09.01	8
F9900350	D150.10.01	15
F9900350	F150.03.01	12
F9900350	F150.04.01	18
F9900350	F150.05.01	12
F9900350	F150.06.01	18
F9900350	F150.07.01	19
F9900350	F150.08.01	33
F9900350	F150.09.01	33
F9900350	F160.04.01	32
F9900350	F160.05.01	33
F9900350	F160.07.01	32
F9900351	D150.00.01	4
F9900351	D150.01.01	4
F9900351	D150.07.01	21
F9900351	D150.09.01	7
F9900351	D150.10.01	16
F9900351	F150.03.01	13
F9900351	F150.04.01	17
F9900351	F150.05.01	13
F9900351	F150.06.01	17
F9900351	F150.07.01	18
F9900351	F150.08.01	34
F9900351	F150.09.01	34
F9900351	F160.04.01	33
F9900351	F160.05.01	34
F9900351	F160.07.01	33
F9900400	F100.01.01	11
F9900470	D010.00.03	11
F9906183	C110.01.01	13
F9906183	C120.01.01	12
F9906191	A050.06.01	30
F9906193	A050.06.01	31
F9906200	E020.00.01	3
F9906200	E020.01.01	3
F9906200	E030.01.01	3
F9906200	E030.02.01	3
F9906200	E030.03.01	3
F9906302	D090.02.01	6
F9906351	D090.02.01	4
F9906915	A070.06.01	11
F9906915	F010.02.01	27
F9914030	F010.02.01	25
F9915022	F010.02.01	29
F9915025	A070.06.01	16
F9920002	F030.06.01	36
F9920002	F030.07.01	36
F9920003	F030.06.01	77
F9920003	F030.07.01	77
F9920004	F030.06.01	76
F9920004	F030.07.01	76
F9920006	F030.06.01	79
F9920006	F030.07.01	79
F9920007	F030.06.01	78
F9920007	F030.07.01	78
F9920040	F030.06.01	47
F9920040	F030.07.01	47

Parça No	Sayfa No	No
Part no	Page No	No
F9925256	K010.02.06	2
F9925263	K010.02.06	1
F9929010	A050.06.01	32
F9929100	A050.06.01	33
F9929201	A080.04.01	17
F9929201	A090.03.01	13
F9930030	A010.09.01	1
F9930300	K010.02.07	15
F9930310	K010.02.07	16
F9940411	F030.06.01	45
F9940411	F030.07.01	45
F9950050	D010.00.03	10
F9950150	F010.02.01	14
F9950520	B090.03.01	7
F9950520	B090.03.01	18
F9950520	B090.04.01	7
F9950520	B090.04.01	18
F9951011	C080.01.01	8
F9951020	B080.01.01	11
F9960008	A070.06.01	17
F9960017	B080.01.01	36
F9960017	F010.02.01	13
F9960021	A010.09.01	12
F9960023	C010.02.01	2
F9960024	C010.02.01	5
F9960025	C010.02.01	6
F9960030	A030.00.01	4
F9960030	A030.01.01	4
F9960031	C080.01.01	7
F9960032	C080.01.01	9
F9960040	F020.07.01	3
F9960040	F020.09.01	3
F9960040	F020.10.01	3
F9960040	F020.11.01	3
F9960040	F030.06.01	3
F9960040	F030.07.01	3
F9960040	F040.04.01	16
F9960040	F040.06.01	16
F9960051	D010.00.02	6
F9960051	F020.07.01	8
F9960051	F020.09.01	8
F9960051	F020.10.01	8
F9960051	F020.11.01	8
F9960051	F030.06.01	9
F9960051	F030.07.01	9
F9960051	J010.10.01	23
F9960051	J010.08.01	23
F9960056	D010.00.02	5
F9960056	F020.07.01	9
F9960056	F020.09.01	9
F9960056	F020.10.01	9
F9960056	F020.11.01	9
F9960056	F030.06.01	10
F9960056	F030.07.01	10
F9960056	J010.10.01	19
F9960056	J010.08.01	19
F9960101	B080.01.01	50
F9960102	B080.01.01	49
F9960110	A020.06.01	12
F9960110	A020.06.01	19
F9960110	A020.06.01	32
F9960111	A020.06.01	11

INDEX

Parça No	Sayfa No	No
Part no	Page No	No
F9960111	A020.06.01	20
F9960111	A020.06.01	33
F9960120	B070.01.01	21
F9960120	B070.02.01	21
F9960121	B070.01.01	18
F9960121	B070.02.01	18
F9960162	B070.01.01	7
F9960162	B070.02.01	7
F9960165	B070.01.01	5
F9960165	B070.02.01	5
F9960166	B070.01.01	6
F9960166	B070.02.01	6
F9960260	B080.01.01	54
F9960265	B080.01.01	67
F9960270	B080.01.01	64
F9960271	B080.01.01	43
F9960272	B080.01.01	15
F9960405	C080.01.01	3
F9960500	B080.01.01	42
F9970010	K010.01.03	32
F9970100	A010.09.01	35
F9970100	F030.06.01	57
F9970100	F030.07.01	57
F9970100	F050.34.01	3
F9970100	F050.34.01	79
F9970100	F060.07.01	26
F9970100	F060.08.01	26
F9970100	F060.09.01	26
F9970100	F060.10.01	26
F9970100	F060.11.01	26
F9970100	F060.12.01	26
F9970100	F060.13.01	26
F9970100	F060.14.01	26
F9970100	F070.10.01	9
F9970100	F070.10.01	9
F9972016	J010.10.01	7
F9972016	J010.10.01	12
F9972016	J010.08.01	7
F9973120	E010.06.01	13
F9973121	E010.06.01	7
F9973136	B050.01.01	11
F9973136	B060.00.01	9
F9973137	B050.01.01	11
F9973137	B060.00.01	9
F9973138	B050.01.01	11
F9973138	B060.00.01	9
F9973139	B050.01.01	11
F9973139	B060.00.01	9
F9973140	B050.01.01	11
F9973140	B060.00.01	9
F9973141	B060.00.01	9
F9974020	B020.00.01	9
F9977120	B020.00.01	8
F9977121	B020.00.01	19
F9977905	F030.06.01	17
F9977905	F030.07.01	17
F9977906	F030.06.01	74
F9977906	F030.07.01	74
F9977907	Y010.04.01	29
F9977925	F030.06.01	85
F9977925	F030.07.01	85
F9990000	D060.01.01	5

Parça No	Sayfa No	No
Part no	Page No	No
F9990051	D060.00.01	12
H060420200	F050.33.01	35
H060420200	F050.34.01	41
H067000104	A050.06.01	34
H067000104	A050.06.01	35
H067031508	A050.06.01	36
H067031508	A090.03.01	9
H067031508	A090.03.01	10
H067031508	A090.03.01	20
H067031508	A090.03.01	21
H068230104	A050.06.01	37
H130133015	A050.06.01	38
H130135102	C090.01.01	42
H130135102	K020.16.01	20
H130135102	K020.17.01	20
H130315150	A050.06.01	39
H134200800	A050.06.01	40
H134200800	F050.33.01	27
H134200800	F050.33.01	28
H134200800	F050.33.01	29
H134200800	F050.34.01	60
H134200800	F050.34.01	61
H134200800	F050.34.01	62
H134201800	A080.04.01	18
H134201800	A090.03.01	17
H134203800	F110.02.01	12
H233511001	J010.10.01	45
H233511001	J010.08.01	45
H233601300	F050.33.01	61
H233601300	F050.34.01	1
H343200302	G060.00.01	0
H343200902	G070.00.01	0
H343206202	K050.02.01	9
H343206202	K050.03.01	9
H343600700	F050.33.01	60
H343600700	F050.34.01	58
H346132900	F040.02.01	1
H346132900	F040.06.01	3
H347008800	Y020.66.01	13
H348026700	K020.16.01	31
H348026700	K020.16.01	40
H348026700	K020.17.01	31
H348026700	K020.17.01	40
H348026700	K050.03.01	1
H900522101	K050.02.01	2
H900522101	K050.03.01	2
H900522200	K050.02.01	3
H900522200	K050.03.01	3
H900522600	K050.02.01	12
H900522600	K050.03.01	11
H900522701	K050.02.01	1
H900522701	K050.03.01	10
H906126500	B070.01.01	19
H906126500	B070.02.01	19
H909065021	C140.00.02	15
H909065024	C140.00.02	16
H909065025	C140.00.02	17
H909065030	C140.00.02	21
IG1018	Y040.00.03	17
N16K114348	F190.02.01	4
N16K310365	F060.07.01	33
N16K310365	F060.07.01	43

Parça No	Sayfa No	No
Part no	Page No	No
N16K310365	F060.08.01	33
N16K310365	F060.08.01	43
N16K310365	F060.09.01	33
N16K310365	F060.09.01	43
N16K310365	F060.10.01	33
N16K310365	F060.10.01	43
N16K310365	F060.11.01	33
N16K310365	F060.11.01	43
N16K310365	F060.12.01	33
N16K310365	F060.12.01	43
N16K310365	F060.13.01	33
N16K310365	F060.13.01	43
N16K310365	F060.14.01	33
N16K310365	F060.14.01	43
N16K310365	F190.02.01	6
N16K310365	J010.10.01	13
N16K310365	J010.08.01	13
N16K550310	F065.01.01	9
N16N210044	J010.10.01	25
N16N210044	J010.08.01	25
N16X120004	A040.00.01	24
N010000008	C020.01.01	21
N010000008	C030.01.01	21
N010100013	C130.01.01	9
N010221166	K020.16.01	61
N010221226	B100.03.01	4
N010221226	B100.03.01	17
N010221478	C050.02.01	17
N010222078	F030.06.01	87
N010222078	F030.07.01	87
N010222090	C040.00.01	20
N010222114	D010.00.02	4
N010222114	D040.04.01	31
N010222114	D050.01.01	46
N010222114	D050.02.01	46
N010222198	K010.01.03	15
N010222282	D060.02.01	11
N010222462	A090.03.01	35
N010222798	D040.00.01	2
N010222798	D040.01.01	2
N010222798	D120.00.01	7
N010222798	D160.00.01	9
N010222798	D160.01.01	9
N010222798	D160.02.01	9
N010222822	D160.00.01	12
N010222822	D160.01.01	12
N010222822	D160.02.01	12
N010222846	D040.04.01	3
N010222846	D120.00.01	14
N010222846	D150.06.01	13
N010222858	D160.00.01	19
N010222858	D160.01.01	19
N010222858	D160.02.01	19
N010223506	D040.04.01	17
N010223554	D050.01.01	37
N010223554	D050.02.01	37
N010223578	D070.00.01	8
N010223590	D070.00.01	20
N010223602	D150.06.01	15
N010231442	A050.06.01	41
N010231442	C130.01.01	36
N010231442	F010.02.01	47

INDEX

Parça No	Sayfa No	No
Part no	Page No	No
N010231454	K020.16.01	34
N010231454	K020.17.01	34
N010231478	A080.02.01	12
N010231478	A080.02.01	12
N010231478	C090.01.01	25
N010231478	C130.01.01	34
N010231478	F020.07.01	24
N010231478	F020.09.01	24
N010231478	F020.10.01	24
N010231478	F020.11.01	24
N010231478	F040.04.01	21
N010231478	F040.06.01	21
N010231478	F210.01.01	16
N010231478	J010.10.01	29
N010231478	J010.08.01	29
N010231478	K020.16.01	48
N010231478	K020.17.01	48
N010231514	A020.06.01	57
N010231514	A080.04.01	13
N010231514	A090.03.01	5
N010231514	B080.01.01	6
N010231514	B080.01.01	56
N010231514	F020.07.01	13
N010231514	F020.09.01	13
N010231514	F020.10.01	13
N010231514	F020.11.01	13
N010231514	F030.06.01	30
N010231514	F030.07.01	30
N010231574	A020.06.01	40
N010231574	A020.06.01	48
N010231574	B080.01.01	62
N010232054	K020.16.01	52
N010232054	K020.17.01	52
N010232078	A020.06.01	38
N010232078	A050.06.01	42
N010232078	A090.03.01	44
N010232078	B020.00.01	29
N010232078	B080.01.01	18
N010232078	B080.01.01	69
N010232078	D040.00.01	18
N010232078	D040.01.01	21
N010232078	D040.02.01	20
N010232078	D040.03.01	21
N010232078	F080.00.01	18
N010232078	F080.00.01	29
N010232078	F080.01.01	18
N010232078	F080.01.01	28
N010232078	F180.00.01	6
N010232078	K020.16.01	44
N010232078	K020.17.01	44
N010232078	K050.02.01	6
N010232078	K050.03.01	6
N010232090	A010.09.01	22
N010232114	A050.06.01	43
N010232114	A070.06.01	3
N010232114	A080.02.02	6
N010232114	A080.04.01	8
N010232114	A090.03.01	19
N010232114	A090.03.01	28
N010232114	A090.03.01	42
N010232114	A090.03.01	52
N010232114	B020.00.01	4

Parça No	Sayfa No	No
Part no	Page No	No
N010232114	B080.01.01	2
N010232114	B080.01.01	22
N010232114	C140.02.01	2
N010232114	C140.03.01	2
N010232114	D010.00.03	1
N010232114	F010.02.01	4
N010232114	F010.02.01	21
N010232114	F040.03.01	10
N010232114	F060.07.01	59
N010232114	F060.08.01	59
N010232114	F060.09.01	59
N010232114	F060.10.01	59
N010232114	F060.11.01	59
N010232114	F060.12.01	59
N010232114	F060.13.01	59
N010232114	F060.14.01	59
N010232114	F070.05.01	8
N010232114	F070.05.01	22
N010232114	F070.07.01	8
N010232114	F070.07.01	22
N010232114	F070.15.01	8
N010232114	F070.15.01	22
N010232114	F070.16.01	8
N010232114	F070.16.01	22
N010232114	H010.00.01	29
N010232114	H010.03.01	31
N010232114	K010.01.03	22
N010232114	K020.16.01	22
N010232114	K020.17.01	22
N010232138	A040.00.01	18
N010232138	B100.03.01	7
N010232138	F040.02.01	6
N010232138	F040.03.01	8
N010232138	F160.04.01	53
N010232138	F160.05.01	47
N010232138	F160.07.01	53
N010232138	J010.10.01	17
N010232138	J010.08.01	17
N010232162	A030.00.01	12
N010232162	A030.01.01	12
N010232162	A050.06.01	44
N010232162	B070.01.01	29
N010232162	B070.02.01	29
N010232162	C050.02.01	32
N010232162	F040.04.01	28
N010232162	F040.06.01	28
N010232162	F070.05.01	12
N010232162	F070.05.01	26
N010232162	F070.07.01	12
N010232162	F070.07.01	26
N010232162	F070.15.01	12
N010232162	F070.15.01	26
N010232162	F070.16.01	12
N010232162	F070.16.01	26
N010232162	K020.16.01	26
N010232162	K020.17.01	26
N010232174	A010.09.01	3
N010232174	B080.01.01	59
N010232174	B090.03.01	10
N010232174	B090.03.01	21
N010232174	B090.04.01	10
N010232174	B090.04.01	21

Parça No	Sayfa No	No
Part no	Page No	No
N010232186	C020.01.01	8
N010232186	C030.01.01	8
N010232186	D020.00.01	10
N010232186	D020.01.01	10
N010232186	D020.03.01	10
N010232186	D020.04.01	10
N010232186	F080.00.01	25
N010232186	F080.01.01	25
N010232282	D020.01.01	26
N010232282	D020.03.01	26
N010232282	D020.04.01	26
N010232282	D050.03.01	10
N010232402	A030.00.01	6
N010232402	A030.01.01	6
N010232438	A040.00.01	15
N010232438	A050.06.01	45
N010232438	A070.06.01	21
N010232438	C140.03.01	3
N010232438	D020.00.01	29
N010232438	D020.01.01	29
N010232438	D020.02.01	20
N010232438	D020.03.01	29
N010232438	D020.04.01	29
N010232438	F010.02.01	51
N010232438	F020.07.01	17
N010232438	F020.09.01	17
N010232438	F020.10.01	17
N010232438	F020.11.01	17
N010232438	F070.05.01	39
N010232438	F070.07.01	49
N010232438	F070.15.01	39
N010232438	F070.16.01	49
N010232438	F160.04.01	19
N010232438	F160.04.01	58
N010232438	F160.05.01	19
N010232438	F160.05.01	45
N010232438	F160.07.01	19
N010232438	F160.07.01	58
N010232438	K020.16.01	12
N010232438	K020.17.01	12
N010232462	A040.00.01	8
N010232462	A050.06.01	46
N010232462	B060.00.01	15
N010232462	C140.02.01	3
N010232462	F010.02.01	45
N010232462	F020.07.01	41
N010232462	F020.09.01	41
N010232462	F020.10.01	45
N010232462	F020.11.01	43
N010232462	F150.08.01	8
N010232462	F150.09.01	8
N010232486	A010.09.01	13
N010232486	A020.06.01	46
N010232486	A050.06.01	47
N010232486	B080.01.01	14
N010232486	C050.02.01	28
N010232486	C110.01.01	15
N010232486	C120.01.01	18
N010232486	F050.33.01	17
N010232486	F050.34.01	18
N010232486	F080.00.01	3
N010232486	F080.01.01	3

INDEX

Parça No	Sayfa No	No
Part no	Page No	No
N010232486	F080.02.01	10
N010232486	F080.03.01	10
N010232498	A030.00.01	17
N010232498	A030.00.01	23
N010232498	A030.01.01	17
N010232498	A030.01.01	23
N010232498	F020.09.01	33
N010232498	F020.10.01	33
N010232498	F040.04.01	14
N010232498	F040.06.01	14
N010232498	F150.08.01	14
N010232498	F150.09.01	53
N010232510	A070.06.01	6
N010232534	E070.00.01	9
N010232534	F080.02.01	17
N010232534	F160.05.01	10
N010232546	F140.02.01	15
N010232546	F140.04.01	39
N010232798	D040.02.01	2
N010232798	D040.03.01	2
N010232798	D100.00.01	14
N010232798	D140.00.01	13
N010232798	F010.02.01	24
N010232822	F030.06.01	54
N010232822	F030.07.01	54
N010232822	F060.07.01	37
N010232822	F060.08.01	37
N010232822	F060.09.01	37
N010232822	F060.10.01	37
N010232822	F060.11.01	37
N010232822	F060.12.01	37
N010232822	F060.13.01	37
N010232822	F060.14.01	37
N010232846	C110.01.01	16
N010232846	C120.01.01	21
N010232846	E010.06.01	16
N010232846	E010.06.01	20
N010232846	F020.07.01	15
N010232846	F020.09.01	15
N010232846	F020.10.01	15
N010232846	F020.11.01	15
N010232846	F030.06.01	32
N010232846	F030.07.01	32
N010232846	F040.04.01	8
N010232846	F040.06.01	8
N010232858	A010.09.01	19
N010233530	A070.06.01	13
N010233530	F010.02.01	53
N010233554	B020.00.01	12
N010233554	D090.00.01	9
N010233554	D090.02.01	14
N010233554	D090.02.01	26
N010233578	C050.02.01	5
N010233578	D080.00.01	5
N010233578	D090.02.01	22
N010233578	F050.33.01	41
N010233590	F050.34.01	43
N010233614	B090.03.01	4
N010233614	B090.03.01	15
N010233614	B090.04.01	4
N010233614	B090.04.01	15
N010234320	F100.01.01	9

Parça No	Sayfa No	No
Part no	Page No	No
N010235030	B050.00.01	16
N010370266	D040.04.01	18
N010370290	J010.10.01	37
N010370290	J010.08.01	37
N010370470	D010.00.01	45
N010380494	D010.00.03	5
N010380494	D050.01.01	44
N010380494	D120.00.01	17
N010370710	D150.06.01	24
N010370866	D160.00.01	16
N010370866	D160.01.01	16
N010370866	D160.02.01	16
N010370998	D010.00.01	31
N010371010	D010.00.01	15
N010371022	D010.00.01	30
N010371862	D040.04.01	39
N010380398	F090.00.01	1
N010380398	F090.02.01	3
N010380398	F090.04.01	1
N010380398	F210.01.01	8
N010380398	H010.00.01	12
N010380398	H010.00.01	33
N010380398	H010.03.01	1
N010380398	H010.03.01	35
N010380410	A080.04.01	25
N010380410	A090.03.01	77
N010380410	D050.02.01	49
N010380410	F050.34.01	25
N010380410	F070.05.01	42
N010380410	F070.07.01	50
N010380410	F070.15.01	42
N010380410	F070.16.01	50
N010380410	F080.00.01	35
N010380410	F080.01.01	39
N010380410	F080.02.01	4
N010380410	F080.03.01	4
N010380410	F080.03.01	20
N010380410	F150.03.01	18
N010380410	F150.04.01	2
N010380410	F150.05.01	18
N010380410	F150.06.01	2
N010380410	J010.08.01	8
N010380446	F065.01.01	10
N010380446	F080.02.01	7
N010380446	F080.03.01	7
N010380446	F150.08.01	36
N010380446	F150.08.01	43
N010380446	F150.09.01	36
N010380470	A040.00.01	4
N010380470	F030.06.01	66
N010380470	F030.07.01	66
N010380470	F060.07.01	34
N010380470	F060.08.01	34
N010380470	F060.09.01	34
N010380470	F060.10.01	34
N010380470	F060.11.01	34
N010380470	F060.12.01	34
N010380470	F060.13.01	34
N010380470	F060.14.01	34
N010380470	F080.01.01	35
N010380470	F150.07.01	13
N010380482	F070.10.01	2

Parça No	Sayfa No	No
Part no	Page No	No
N010380482	F070.10.01	2
N010380493	B020.00.01	6
N010380493	D020.01.01	28
N010380493	D020.02.01	35
N010380493	D020.03.01	28
N010380493	D020.04.01	28
N010380493	D050.00.01	6
N010380493	D050.02.01	44
N010380493	D060.01.01	7
N010380494	D020.00.01	26
N010380518	B020.01.01	10
N010380552	A010.09.01	4
N010380626	F020.07.01	33
N010380626	F020.11.01	33
N010380662	C050.02.01	3
N010380674	A010.09.01	24
N010380674	F080.00.01	30
N010380674	F080.01.01	30
N010380674	F080.03.01	17
N010380722	F180.00.01	22
N010380746	D100.00.01	10
N010380793	D060.00.01	4
N010380842	A010.09.01	11
N010380914	F030.06.01	24
N010380914	F030.07.01	24
N010380986	D010.00.03	4
N010380986	D070.00.01	42
N010381008	B020.00.01	18
N010381022	D080.00.01	1
N010381238	A010.09.01	27
N010381418	B060.00.01	2
N010381754	D150.06.01	27
N010381908	C010.02.01	7
N010382006	B050.00.01	16
N010382006	B050.01.01	8
N010382090	B050.01.01	9
N010382112	B050.00.01	18
N010382417	D150.07.01	11
N010382424	D150.07.01	6
N010385017	B050.00.01	7
N0103870398	D020.02.01	10
N010671442	A010.09.01	8
N011660097	D160.00.01	31
N011660097	D160.01.01	31
N011800686	D040.04.01	5
N012009931	G180.00.01	21
N013621657	E010.06.01	1
N015610109	D110.00.01	6
N015610109	D110.01.01	7
N015610109	D110.02.01	7
N015610109	D110.03.01	6
N015610109	D110.04.01	7
N015610109	D110.05.01	6
N015610109	D110.06.01	7
N015610109	D110.07.01	6
N015610112	D160.01.01	31
N015610145	D020.00.01	21
N015610145	D020.01.01	21
N015610145	D020.02.01	27
N015610145	D020.03.01	21
N015610145	D020.04.01	21
N015610145	D030.00.01	4

INDEX

Parça No	Sayfa No	No
Part no	Page No	No
N015610145	D030.01.01	4
N015610145	D110.00.01	4
N015610145	D110.01.01	5
N015610145	D110.02.01	5
N015610145	D110.03.01	4
N015610145	D110.04.01	5
N015610145	D110.05.01	4
N015610145	D110.06.01	5
N015610145	D110.07.01	4
N015870290	C090.01.01	4
N015870290	C090.01.01	8
N015870290	C090.01.01	18
N015870290	C090.01.01	26
N015870314	B070.01.01	24
N015870314	B070.02.01	24
N015870314	C040.00.01	29
N015870350	D010.00.02	14
N015870506	C020.01.01	30
N015870506	C030.01.01	30
N015870842	D050.00.01	14
N015871178	D160.00.01	19
N015871178	D160.01.01	19
N015871178	D160.02.01	19
N015872090	D150.06.01	10
N015890014	F020.07.01	1
N015890014	F020.09.01	1
N015890014	F020.10.01	1
N015890014	F020.11.01	1
N015890014	F030.06.01	5
N015890014	F030.07.01	5
N015890014	F040.04.01	20
N015890014	F040.06.01	20
N015890026	F070.07.01	66
N015890026	F070.16.01	66
N015890026	K010.08.01	24
N015890026	K010.09.01	24
N015890026	K020.16.01	25
N015890026	K020.16.01	37
N015890026	K020.17.01	25
N015890026	K020.17.01	37
N015890170	F020.07.01	27
N015890170	F020.09.01	27
N015890170	F020.10.01	27
N015890170	F020.11.01	27
N015890170	K010.01.02	5
N015890290	F010.02.01	8
N015890302	A080.02.01	15
N015890302	A080.02.01	15
N015890302	F030.06.01	41
N015890302	F030.07.01	41
N015890302	F060.07.01	31
N015890302	F060.08.01	31
N015890302	F060.09.01	31
N015890302	F060.10.01	31
N015890302	F060.11.01	31
N015890302	F060.12.01	31
N015890302	F060.13.01	31
N015890302	F060.14.01	31
N015890314	C040.00.01	6
N015890314	K020.16.01	66
N015890314	K020.17.01	46
N015890314	K050.02.01	8

Parça No	Sayfa No	No
Part no	Page No	No
N015890314	K050.03.01	8
N015890326	A080.04.01	31
N015890326	A090.03.01	62
N015890326	F070.07.01	41
N015890326	F070.16.01	41
N015890326	G130.00.01	6
N015890326	G140.00.01	6
N015890350	F140.02.01	8
N015890350	F140.04.01	30
N015890350	F150.09.01	45
N015890350	F160.04.01	52
N015890350	F160.07.01	52
N015890362	F060.07.01	22
N015890362	F060.08.01	22
N015890362	F060.09.01	22
N015890362	F060.10.01	22
N015890362	F060.11.01	22
N015890362	F060.12.01	22
N015890362	F060.13.01	22
N015890362	F060.14.01	22
N015890362	F070.07.01	38
N015890362	F070.16.01	38
N015890362	F120.02.01	4
N015890362	F120.06.01	4
N015890362	F130.02.01	4
N015890362	F140.03.01	4
N015890362	F140.04.01	4
N015890362	F150.04.01	9
N015890362	F150.06.01	9
N015890374	F150.08.01	51
N015890386	F130.02.01	14
N015890398	F080.00.01	8
N015890398	F080.00.01	12
N015890398	F080.00.01	21
N015890398	F080.01.01	8
N015890398	F080.01.01	12
N015890398	F080.01.01	23
N015890398	F130.06.01	10
N015890398	F150.03.01	15
N015890398	F150.03.01	21
N015890398	F150.04.01	13
N015890398	F150.04.01	16
N015890398	F150.05.01	15
N015890398	F150.05.01	21
N015890398	F150.06.01	13
N015890398	F150.06.01	16
N015890398	F150.07.01	29
N015890398	F150.08.01	40
N015890398	F150.09.01	40
N015890434	B070.01.01	27
N015890434	B070.02.01	27
N015890446	C110.01.01	23
N015890446	K020.16.01	58
N015890446	K020.17.01	58
N015890458	A010.09.01	34
N015890458	A020.06.01	49
N015890458	E070.00.01	6
N015890458	F040.04.01	10
N015890458	J010.10.01	28
N015890458	J010.08.01	28
N015890470	F070.05.01	52
N015890470	F070.07.01	61

Parça No	Sayfa No	No
Part no	Page No	No
N015890470	F070.15.01	52
N015890470	F070.16.01	61
N015890470	F210.01.01	28
N015890535	D020.00.01	4
N015890535	D020.01.01	4
N015890535	D020.02.01	4
N015890535	D020.03.01	4
N015890535	D020.04.01	4
N015890566	F050.34.01	74
N015890818	A090.03.01	33
N015890818	F040.02.01	4
N015890818	F040.06.01	4
N015890830	F050.33.01	7
N015890842	D050.03.01	13
N015890842	F010.02.01	22
N015890842	H010.00.01	13
N015890842	H010.03.01	23
N015890842	K010.02.07	7
N015890914	F080.00.01	2
N015890914	F080.01.01	1
N015890926	A020.06.01	26
N015891166	F050.34.01	38
N015891190	F050.33.01	39
N015891335	D090.02.01	3
N015892018	D070.00.01	12
N015892018	D070.00.01	37
N015904692	B080.01.01	33
N015904692	B080.01.01	73
N015911142	F040.02.01	12
N015980806	A010.09.01	7
N016010470	C040.00.01	36
N019900101	F160.05.01	58
N019900102	F160.05.01	59
N020000200	K010.01.03	24
N02000081	C110.01.01	17
N02000081	C120.01.01	4
N020358182	A090.03.01	26
N023560242	D160.00.01	33
N023560242	D160.01.01	33
N023570158	J010.10.01	64
N023570158	J010.08.01	64
N023570182	B070.01.01	26
N023570182	D010.00.02	12
N023570182	D120.00.01	18
N023570182	K010.01.03	12
N023570184	D050.03.01	14
N023570205	C120.01.01	17
N023570206	C020.01.01	40
N023570206	C030.01.01	40
N023570242	D040.04.01	44
N023570242	D160.01.01	14
N023570242	D160.02.01	14
N023570302	F020.07.01	22
N023570302	F020.09.01	22
N023570302	F020.10.01	22
N023570302	F020.11.01	22
N023570314	D040.00.01	8
N023570314	D040.01.01	8
N023570314	D040.01.01	12
N023570314	D040.03.01	12
N023570446	B050.01.01	7
N023570494	B050.00.01	12

INDEX

Parça No	Sayfa No	No
Part no	Page No	No
N023570578	B070.01.01	3
N023580146	C130.01.01	33
N023580158	A020.06.01	5
N023580158	A020.06.01	47
N023580158	B080.01.01	47
N023580158	F020.07.01	31
N023580158	F020.09.01	31
N023580158	F020.10.01	31
N023580158	F020.11.01	31
N023580182	B070.02.01	26
N023580182	C110.01.01	18
N023580182	C120.01.01	14
N023580182	D050.00.01	7
N023580182	D050.01.01	43
N023580182	F020.07.01	4
N023580182	F020.07.01	42
N023580182	F020.09.01	4
N023580182	F020.09.01	42
N023580182	F020.10.01	4
N023580182	F020.10.01	46
N023580182	F020.11.01	4
N023580182	F020.11.01	42
N023580182	F030.06.01	6
N023580182	F030.07.01	6
N023580182	F040.02.01	5
N023580182	F040.03.01	7
N023580182	F040.04.01	17
N023580182	F040.06.01	17
N023580182	F160.04.01	55
N023580182	F160.05.01	42
N023580182	F160.07.01	55
N023580206	C110.01.01	19
N023580206	F020.07.01	39
N023580206	F020.09.01	39
N023580206	F020.10.01	39
N023580206	F020.11.01	39
N023580206	F030.06.01	7
N023580206	F030.07.01	7
N023580206	F140.02.01	16
N023580206	F140.02.01	25
N023580206	F140.04.01	29
N023580206	F150.08.01	15
N023580206	F150.09.01	51
N023580206	J010.10.01	26
N023580206	J010.08.01	26
N023580242	D080.00.01	13
N023580290	D020.00.01	40
N023580290	D020.01.01	40
N023580290	D020.02.01	39
N023580290	D020.03.01	40
N023580290	D020.04.01	40
N023580314	D040.02.01	8
N023580314	D040.03.01	8
N023580314	D060.00.01	7
N023580446	B050.00.01	13
N023580568	D150.07.01	15
N023580578	B070.02.01	3
N024050362	D050.01.01	27
N024050362	D050.02.01	27
N024230290	D120.00.01	9
N024260194	D090.02.01	7
N024770061	C050.02.01	29

Parça No	Sayfa No	No
Part no	Page No	No
N025880026	B100.03.01	6
N025880026	B100.03.01	19
N025900010	K020.16.01	56
N025900010	K020.17.01	56
N025900062	B020.00.01	26
N025900062	D010.00.01	46
N025900062	D010.00.03	6
N025900062	D020.00.01	27
N025900062	D020.03.01	27
N025900062	D060.02.01	12
N025900122	D010.00.01	32
N025900122	D010.00.03	3
N025900122	D160.00.01	14
N025900194	C130.01.01	5
N025900194	D070.00.01	19
N025900194	J010.10.01	62
N025900194	J010.08.01	62
N025900242	C010.02.01	3
N025900242	D040.04.01	22
N025910026	Y010.04.01	28
N025910050	A080.04.01	33
N025910050	A090.03.01	64
N025910050	B070.01.01	33
N025910050	B080.01.01	52
N025910050	C090.01.01	15
N025910050	C090.01.01	22
N025910050	C090.01.01	23
N025910050	E070.00.01	12
N025910050	F010.02.01	11
N025910050	F020.07.01	12
N025910050	F020.09.01	12
N025910050	F020.10.01	12
N025910050	F020.11.01	12
N025910050	F030.06.01	31
N025910050	F030.07.01	31
N025910050	F080.00.01	11
N025910050	F080.00.01	15
N025910050	F080.00.01	24
N025910050	F080.01.01	11
N025910050	F080.01.01	17
N025910050	F080.01.01	24
N025910062	A010.09.01	6
N025910062	A020.06.01	21
N025910062	A030.00.01	16
N025910062	A030.01.01	16
N025910062	A040.00.01	6
N025910062	A050.06.01	48
N025910062	B020.00.01	7
N025910062	B020.01.01	8
N025910062	B070.01.01	28
N025910062	B070.02.01	28
N025910062	B080.01.01	21
N025910062	B080.01.01	53
N025910062	B090.03.01	3
N025910062	B090.03.01	17
N025910062	B090.04.01	3
N025910062	B090.04.01	17
N025910062	C020.01.01	20
N025910062	C020.01.01	27
N025910062	C030.01.01	20
N025910062	C030.01.01	27
N025910062	C040.00.01	8

Parça No	Sayfa No	No
Part no	Page No	No
N025910062	C060.03.01	5
N025910062	C060.03.01	10
N025910062	C110.01.01	20
N025910062	C120.01.01	8
N025910062	D020.00.01	5
N025910062	D020.01.01	5
N025910062	D020.01.01	27
N025910062	D020.02.01	5
N025910062	D020.02.01	34
N025910062	D020.03.01	5
N025910062	D020.04.01	5
N025910062	D020.04.01	27
N025910062	D050.02.01	43
N025910062	D060.00.01	8
N025910062	D060.01.01	13
N025910062	F010.02.01	17
N025910062	F040.04.01	29
N025910062	F040.06.01	29
N025910062	F070.05.01	7
N025910062	F070.07.01	7
N025910062	F070.15.01	7
N025910062	F070.16.01	7
N025910062	F080.00.01	27
N025910062	F080.01.01	27
N025910062	J010.10.01	20
N025910062	J010.08.01	20
N025910062	K010.01.03	34
N025910086	A010.09.01	14
N025910086	A020.06.01	3
N025910086	A020.06.01	30
N025910086	A030.00.01	24
N025910086	A030.01.01	24
N025910086	A050.06.01	49
N025910086	A070.06.01	9
N025910086	A090.03.01	36
N025910086	B080.01.01	10
N025910086	B080.01.01	40
N025910086	C020.01.01	50
N025910086	C030.01.01	50
N025910086	D100.00.01	11
N025910086	E070.00.01	3
N025910086	F030.06.01	51
N025910086	F030.07.01	51
N025910086	F040.04.01	1
N025910086	F040.04.01	13
N025910086	F040.06.01	1
N025910086	F040.06.01	13
N025910086	F050.33.01	19
N025910086	F050.34.01	20
N025910086	F080.00.01	7
N025910086	F080.00.01	33
N025910086	F080.01.01	4
N025910086	F080.01.01	34
N025910086	F080.02.01	13
N025910086	F080.03.01	13
N025910110	E010.06.01	4
N025910122	B020.00.01	21
N025910122	D070.00.01	39
N025910122	D080.00.01	14
N025910122	F010.02.01	18
N025910122	F030.06.01	28
N025910122	F030.07.01	28

INDEX

Parça No	Sayfa No	No
Part no	Page No	No
N025910182	B060.00.01	3
N025910182	F030.06.01	22
N025910182	F030.07.01	22
N025910194	A010.09.01	16
N026000290	D050.01.01	28
N026000290	D050.02.01	28
N027180028	F120.02.01	6
N027180028	F120.06.01	6
N027180028	F130.02.01	6
N027180028	F140.03.01	5
N027180028	F140.04.01	6
N027180028	F150.04.01	6
N027180028	F150.06.01	6
N028320038	F060.07.01	46
N028320038	F060.08.01	46
N028320038	F060.09.01	46
N028320038	F060.10.01	46
N028320038	F060.11.01	46
N028320038	F060.12.01	46
N028320038	F060.13.01	46
N028320038	F060.14.01	46
N028320038	K020.16.01	21
N028320038	K020.17.01	21
N028660172	D160.01.01	33
N028660278	E010.06.01	3
N028660481	D020.00.01	22
N028660481	D020.01.01	22
N028660481	D020.02.01	28
N028660481	D020.03.01	22
N028660481	D020.04.01	22
N028660481	D030.00.01	2
N028660481	D030.01.01	2
N028660481	D110.00.01	5
N028660481	D110.01.01	6
N028660481	D110.02.01	6
N028660481	D110.03.01	5
N028660481	D110.04.01	6
N028660481	D110.05.01	5
N028660481	D110.06.01	6
N028660481	D110.07.01	5
N0300000004	F160.04.01	49
N0300000025	F050.34.01	31
N0300000004	D050.02.01	50
N0300000004	F020.07.01	45
N0300000004	F020.09.01	45
N0300000004	F020.10.01	40
N0300000004	F020.11.01	40
N0300000004	F030.06.01	39
N0300000004	F030.06.01	64
N0300000004	F030.06.01	68
N0300000004	F030.07.01	39
N0300000004	F030.07.01	64
N0300000004	F030.07.01	68
N0300000004	F050.33.01	45
N0300000004	F050.33.01	47
N0300000004	F050.34.01	5
N0300000004	F050.34.01	40
N0300000004	F050.34.01	52
N0300000004	F050.34.01	88
N0300000004	F050.34.01	94
N0300000004	F060.07.01	23
N0300000004	F060.07.01	51

Parça No	Sayfa No	No
Part no	Page No	No
N0300000004	F060.07.01	56
N0300000004	F060.08.01	23
N0300000004	F060.08.01	56
N0300000004	F060.08.01	61
N0300000004	F060.09.01	23
N0300000004	F060.09.01	51
N0300000004	F060.09.01	56
N0300000004	F060.10.01	23
N0300000004	F060.10.01	56
N0300000004	F060.10.01	61
N0300000004	F060.11.01	23
N0300000004	F060.11.01	51
N0300000004	F060.12.01	23
N0300000004	F060.12.01	61
N0300000004	F060.13.01	23
N0300000004	F060.13.01	51
N0300000004	F060.14.01	23
N0300000004	F060.14.01	61
N0300000004	F070.05.01	58
N0300000004	F070.15.01	58
N0300000004	F100.01.01	22
N0300000004	F150.05.01	26
N0300000004	F150.06.01	32
N0300000004	F150.07.01	36
N0300000004	F160.05.01	41
N0300000004	F160.07.01	49
N0300000004	F210.01.01	21
N0300000004	G150.00.01	19
N0300000004	H010.00.01	10
N0300000004	H010.00.01	18
N0300000004	H010.03.01	13
N0300000004	J010.08.01	52
N0300000005	A070.06.01	29
N0300000005	D070.00.01	26
N0300000005	F030.06.01	60
N0300000005	F030.07.01	60
N0300000005	F050.34.01	92
N0300000005	F060.07.01	28
N0300000005	F060.08.01	28
N0300000005	F060.09.01	28
N0300000005	F060.10.01	28
N0300000005	F060.11.01	28
N0300000005	F060.12.01	28
N0300000005	F060.13.01	28
N0300000005	F060.14.01	28
N0300000005	F070.10.01	5
N0300000005	F070.10.01	5
N0300000005	F090.01.01	4
N0300000005	F090.03.01	3
N0300000005	F180.00.01	2
N0300000005	F190.02.01	5
N0300000005	G200.00.01	5
N0300000005	J010.10.01	40
N0300000005	J010.10.01	48
N0300000005	J010.08.01	40
N0300000005	J010.08.01	48
N0300000015	D050.00.01	16
N0300000015	D050.02.01	12
N0300000015	D050.02.01	13
N0300000015	D050.03.01	5
N0300000015	D070.00.01	24
N0300000015	F050.34.01	6

Parça No	Sayfa No	No
Part no	Page No	No
N0300000015	F050.34.01	8
N0300000015	F050.34.01	16
N0300000015	F050.34.01	83
N0300000015	F070.15.01	65
N0300000015	F070.16.01	74
N0300000015	F090.01.01	4
N0300000015	F160.05.01	38
N0300000015	F160.07.01	37
N0300000015	F160.07.01	41
N0300000015	F160.07.01	45
N0300000015	F160.07.01	47
N0300000015	F210.01.01	19
N0300000015	H010.00.01	7
N0300000015	H010.00.01	23
N0300000015	H010.03.01	3
N0300000015	H010.03.01	5
N0300000015	H010.03.01	7
N0300000015	H010.03.01	10
N0300000025	D150.00.01	9
N0300000025	D150.01.01	9
N0300000025	D150.04.01	8
N0300000025	D150.05.01	8
N0300000025	D150.07.01	14
N0300000025	D150.08.01	3
N0300000025	D150.08.01	8
N0300000025	D150.09.01	3
N0300000025	D150.10.01	9
N0300000025	F050.33.01	37
N0300000025	F050.33.01	51
N0300000025	F050.34.01	34
N0300000025	F050.34.01	50
N0300000025	F070.05.01	46
N0300000025	F070.07.01	64
N0300000025	F070.15.01	46
N0300000025	F070.16.01	64
N0300000025	F090.02.01	7
N0300000025	F090.04.01	11
N0300000025	F110.01.01	10
N0300000025	F110.02.01	14
N0300000025	F120.02.01	15
N0300000025	F120.06.01	10
N0300000025	F130.02.01	18
N0300000025	F130.06.01	1
N0300000025	F140.02.01	28
N0300000025	F140.02.01	32
N0300000025	F140.03.01	18
N0300000025	F140.03.01	21
N0300000025	F140.06.01	10
N0300000025	F150.03.01	1
N0300000025	F150.03.01	7
N0300000025	F150.04.01	27
N0300000025	F150.04.01	29
N0300000025	F150.05.01	1
N0300000025	F150.05.01	7
N0300000025	F150.06.01	27
N0300000025	F150.06.01	29
N0300000025	F150.07.01	22
N0300000025	F150.07.01	43
N0300000025	F150.08.01	19
N0300000025	F150.08.01	29
N0300000025	F150.09.01	26
N0300000025	F150.09.01	29

INDEX

Parça No	Sayfa No	No
Part no	Page No	No
N030000025	F160.04.01	10
N030000025	F160.04.01	28
N030000025	F160.05.01	29
N030000025	F160.05.01	53
N030000025	F160.05.01	57
N030000025	F160.07.01	10
N030000025	F160.07.01	28
N030000025	F180.00.01	17
N030000030	F050.33.01	31
N030000030	F050.33.01	49
N030000030	F050.34.01	28
N030000030	F050.34.01	47
N030000030	F070.10.01	7
N030000030	F070.10.01	7
N030000030	G150.00.01	16
N03000015	F160.04.01	37
N03000015	F160.04.01	39
N03000015	F160.04.01	41
N03000015	F160.04.01	43
N03000015	F160.04.01	45
N03000015	F160.04.01	47
N03000015	F160.07.01	39
N03000015	F160.07.01	43
N030001850	F020.07.01	2
N030001850	F020.09.01	2
N030001850	F020.10.01	2
N030001850	F020.11.01	2
N030001850	F030.06.01	4
N030001850	F030.07.01	4
N030001850	F040.04.01	19
N030001850	F040.06.01	19
N030020004	A020.06.01	58
N030020004	A080.04.01	12
N030020004	A090.03.01	4
N030020004	B080.01.01	7
N030020004	B080.01.01	60
N030020004	C060.01.01	3
N030020004	F010.02.01	48
N030020004	F040.04.01	22
N030020004	F040.06.01	22
N030020004	K020.16.01	49
N030020004	K020.16.01	67
N030020004	K020.17.01	42
N030020004	K020.17.01	49
N030020011	C020.01.01	52
N030020011	C030.01.01	52
N030020011	C040.00.01	9
N030020011	C130.01.01	28
N030020011	F030.06.01	89
N030020011	F030.07.01	89
N030020011	F080.03.01	3
N030020011	F150.08.01	37
N030020011	F160.04.01	54
N030020011	F160.04.01	57
N030020011	F160.07.01	54
N030020011	F160.07.01	57
N030020011	F180.00.01	7
N030020011	F210.01.01	29
N030020018	A030.00.01	7
N030020018	A030.00.01	18
N030020018	A030.01.01	7
N030020018	A030.01.01	18

Parça No	Sayfa No	No
Part no	Page No	No
N030020018	A040.00.01	9
N030020018	A040.00.01	16
N030020018	C020.01.01	49
N030020018	C030.01.01	49
N030020018	C040.00.01	11
N030020018	F080.02.01	3
N030020018	F080.02.01	11
N030020018	F080.03.01	11
N030020018	K010.02.07	8
N030020022	A020.06.01	2
N030020022	C130.01.01	20
N030020029	C050.02.01	6
N030020111	A030.00.01	13
N030020111	A030.01.01	13
N030020111	A040.00.01	5
N030020111	A050.06.01	50
N030020111	A090.03.01	45
N030020111	B090.03.01	11
N030020111	B090.03.01	22
N030020111	B090.04.01	11
N030020111	B090.04.01	22
N030020111	C050.02.01	31
N030020111	D010.00.03	15
N030020111	D070.00.01	13
N030020111	H010.00.01	30
N030020111	H010.03.01	32
N030020111	K020.16.01	23
N030020111	K020.16.01	53
N030020111	K020.17.01	23
N030020111	K020.17.01	53
N030020121	A050.06.01	51
N030020121	A090.03.01	56
N030020121	F020.07.01	18
N030020121	F020.07.01	34
N030020121	F020.07.01	40
N030020121	F020.09.01	18
N030020121	F020.09.01	34
N030020121	F020.09.01	40
N030020121	F020.10.01	18
N030020121	F020.10.01	34
N030020121	F020.10.01	44
N030020121	F020.11.01	34
N030020121	F020.11.01	44
N030020121	F030.06.01	20
N030020121	F030.07.01	20
N030020121	F040.04.01	30
N030020121	F040.06.01	30
N030020121	F080.00.01	34
N030020121	F080.01.01	33
N030020121	F080.02.01	14
N030020121	F080.03.01	14
N030020121	F140.02.01	23
N030020121	F140.04.01	40
N030020121	F150.08.01	7
N030020121	F150.08.01	13
N030020121	F150.09.01	7
N030020121	F150.09.01	52
N030100010	K020.16.01	38
N030100010	K020.17.01	38
N030100011	B100.03.01	5
N030100011	B100.03.01	18
N030100011	C020.01.01	10

Parça No	Sayfa No	No
Part no	Page No	No
N030100011	C030.01.01	10
N030100011	K020.16.01	27
N030100011	K020.16.01	62
N030100011	K020.17.01	27
N030100013	A020.06.01	39
N030100013	A050.06.01	52
N030100013	A080.02.01	13
N030100013	A080.02.01	13
N030100013	A080.04.01	32
N030100013	A090.03.01	63
N030100013	B070.01.01	23
N030100013	B070.01.01	25
N030100013	B070.02.01	25
N030100013	B080.01.01	55
N030100013	C040.00.01	5
N030100013	C040.00.01	30
N030100013	C050.02.01	16
N030100013	C090.01.01	24
N030100013	C130.01.01	35
N030100013	E070.00.01	13
N030100013	F020.07.01	25
N030100013	F020.09.01	25
N030100013	F020.10.01	25
N030100013	F020.11.01	25
N030100013	F030.06.01	42
N030100013	F030.06.01	56
N030100013	F030.07.01	42
N030100013	F030.07.01	56
N030100013	F060.07.01	55
N030100013	F060.08.01	55
N030100013	F060.09.01	55
N030100013	F060.10.01	55
N030100013	F060.11.01	55
N030100013	F060.12.01	55
N030100013	F060.13.01	55
N030100013	F060.14.01	55
N030100013	F070.07.01	60
N030100013	F070.16.01	60
N030100013	F120.02.01	5
N030100013	F120.06.01	5
N030100013	F130.02.01	5
N030100013	F130.06.01	9
N030100013	F140.03.01	6
N030100013	F140.04.01	5
N030100013	F150.04.01	8
N030100013	F150.06.01	8
N030100013	F210.01.01	15
N030100013	J010.10.01	9
N030100013	J010.10.01	36
N030100013	J010.08.01	9
N030100013	J010.08.01	36
N030100013	K020.16.01	33
N030100013	K020.17.01	33
N030100016	D010.00.02	11
N030100017	A070.06.01	4
N030100017	B080.01.01	70
N030100017	C060.03.01	9
N030100020	A070.06.01	22
N030100020	F180.00.01	21
N030100023	C110.01.01	29
N030100023	F010.02.01	19
N030100026	D020.00.01	39

INDEX

Parça No	Sayfa No	No
Part no	Page No	No
N030100026	D020.01.01	39
N030100026	D020.02.01	38
N030100026	D020.03.01	39
N030100026	D020.04.01	39
N030100027	C130.01.01	37
N030100029	J010.10.01	61
N030100029	J010.08.01	61
N030100031	F100.01.01	8
N030100042	D150.07.01	7
N030108017	C020.01.01	6
N030108017	C020.01.01	24
N030108017	C020.01.01	26
N030108017	C030.01.01	6
N030108017	C030.01.01	24
N030108017	C030.01.01	26
N030108017	C040.00.01	21
N030111251	A020.06.01	59
N030111251	A040.00.01	21
N030111251	D020.00.01	16
N030111251	D020.02.01	21
N030140017	K010.01.03	14
N030213191	F070.10.01	8
N030213191	F070.10.01	8
N030213191	F180.00.01	15
N030213192	A040.00.01	25
N030218242	D050.01.01	12
N030221252	D010.00.01	47
N030221252	D080.00.01	6
N030221252	D160.00.01	18
N030221252	D160.01.01	18
N030221252	D160.02.01	18
N030230241	D050.01.01	13
N030312071	B070.01.01	11
N030312071	B070.02.01	11
N030312201	F030.06.01	25
N030312201	F030.07.01	25
N030312202	B070.01.01	32
N030312202	B070.02.01	33
N030312205	F010.02.01	3
N030560004	F010.02.01	15
N030720006	A080.02.02	5
N030720006	A080.04.01	7
N030720006	A090.03.01	18
N030720006	B100.03.01	8
N030800004	B080.01.01	34
N030800005	B050.00.01	19
N030800005	D050.01.01	29
N030800014	A010.09.01	2
N030810001	A010.09.01	10
N030810001	A010.09.01	18
N030810001	C110.01.01	21
N030810001	C120.01.01	22
N030810001	D040.00.01	19
N030810001	D040.01.01	23
N030810001	D040.02.01	11
N030810001	D040.03.01	24
N030810001	D040.04.01	29
N030810001	D100.00.01	13
N030810001	D140.00.01	12
N030810001	D160.00.01	15
N030810001	D160.00.01	36
N030810001	D160.01.01	15

Parça No	Sayfa No	No
Part no	Page No	No
N030810001	D160.02.01	15
N030810001	E010.06.01	15
N030810001	E010.06.01	19
N030810001	F020.07.01	14
N030810001	F020.09.01	14
N030810001	F020.10.01	14
N030810001	F020.11.01	14
N030810001	F030.06.01	53
N030810001	F030.06.01	55
N030810001	F030.07.01	53
N030810001	F030.07.01	55
N030810001	F040.06.01	10
N030810001	F060.07.01	38
N030810001	F060.08.01	38
N030810001	F060.09.01	38
N030810001	F060.10.01	38
N030810001	F060.11.01	38
N030810001	F060.12.01	38
N030810001	F060.13.01	38
N030810001	F060.14.01	38
N030810002	A010.09.01	26
N030810002	A070.06.01	14
N030810002	B090.03.01	5
N030810002	B090.03.01	16
N030810002	B090.04.01	5
N030810002	B090.04.01	16
N030810002	D040.02.01	10
N030810002	D040.03.01	22
N030810002	D040.03.01	23
N030810002	D050.02.01	23
N030810002	D070.00.01	7
N030810002	F010.02.01	54
N030810002	F030.06.01	72
N030810002	F030.07.01	72
N030810002	F050.33.01	42
N030810002	F050.34.01	44
N030810006	D050.02.01	29
N030810014	A010.09.01	33
N030810014	A020.06.01	37
N030810014	A020.06.01	50
N030810014	A050.06.01	53
N030810014	A080.04.01	24
N030810014	A090.03.01	27
N030810014	A090.03.01	41
N030810014	A090.03.01	51
N030810014	A090.03.01	76
N030810014	B020.00.01	28
N030810014	B080.01.01	3
N030810014	B080.01.01	17
N030810014	B080.01.01	63
N030810014	C060.03.01	6
N030810014	C140.02.01	4
N030810014	C140.03.01	4
N030810014	E070.00.01	7
N030810014	F030.06.01	65
N030810014	F030.07.01	65
N030810014	F040.03.01	9
N030810014	F040.04.01	27
N030810014	F040.06.01	5
N030810014	F040.06.01	27
N030810014	F050.34.01	26
N030810014	F060.07.01	35

Parça No	Sayfa No	No
Part no	Page No	No
N030810014	F060.07.01	58
N030810014	F060.08.01	35
N030810014	F060.08.01	58
N030810014	F060.09.01	35
N030810014	F060.09.01	58
N030810014	F060.10.01	35
N030810014	F060.10.01	58
N030810014	F060.11.01	35
N030810014	F060.11.01	58
N030810014	F060.12.01	35
N030810014	F060.12.01	58
N030810014	F060.13.01	35
N030810014	F060.13.01	58
N030810014	F060.14.01	35
N030810014	F060.14.01	58
N030810014	F065.01.01	11
N030810014	F070.05.01	11
N030810014	F070.05.01	59
N030810014	F070.07.01	11
N030810014	F070.07.01	68
N030810014	F070.10.01	1
N030810014	F070.10.01	1
N030810014	F070.15.01	11
N030810014	F070.15.01	59
N030810014	F070.16.01	11
N030810014	F070.16.01	68
N030810014	F080.00.01	19
N030810014	F080.00.01	26
N030810014	F080.00.01	36
N030810014	F080.01.01	19
N030810014	F080.01.01	26
N030810014	F080.01.01	36
N030810014	F080.01.01	40
N030810014	F150.09.01	37
N030810014	F160.05.01	48
N030810014	J010.10.01	8
N030810014	J010.10.01	21
N030810014	J010.10.01	30
N030810014	J010.08.01	21
N030810014	J010.08.01	30
N030810014	J010.08.01	51
N030810014	K010.01.03	23
N030810014	K020.16.01	45
N030810014	K020.16.01	59
N030810014	K020.17.01	45
N030810014	K020.17.01	59
N030810014	K050.02.01	7
N030810014	K050.03.01	7
N030810015	A010.09.01	23
N030810015	A020.06.01	27
N030810015	A070.06.01	20
N030810015	A090.03.01	32
N030810015	B080.01.01	13
N030810015	C140.03.01	5
N030810015	D020.01.01	16
N030810015	D020.03.01	16
N030810015	D020.04.01	16
N030810015	E070.00.01	8
N030810015	F010.02.01	44
N030810015	F010.02.01	52
N030810015	F020.07.01	11
N030810015	F020.09.01	11

INDEX

Parça No	Sayfa No	No
Part no	Page No	No
N030810015	F020.10.01	11
N030810015	F020.11.01	11
N030810015	F030.06.01	1
N030810015	F030.07.01	1
N030810015	F040.02.01	3
N030810015	F040.04.01	11
N030810015	F040.06.01	11
N030810015	F050.33.01	18
N030810015	F050.34.01	19
N030810015	F080.00.01	4
N030810015	F080.01.01	2
N030810015	F160.05.01	22
N030810015	F160.05.01	44
N030810015	H010.00.01	14
N030810015	H010.03.01	24
N030810015	K020.16.01	13
N030810015	K020.17.01	13
N030810017	F010.02.01	20
N030810018	C140.02.01	5
N03081005	B080.01.01	74
N031170029	B020.00.01	13
N031170029	D040.00.01	12
N031170029	D040.01.01	15
N031170029	D040.01.01	22
N031170029	D150.06.01	16
N031170040	B050.01.01	6
N031360010	F050.33.01	8
N031360011	F050.33.01	40
N031360011	F050.34.01	45
N031360019	D150.07.01	8
N032500016	D120.00.01	8
N032500016	D150.06.01	25
N032500016	D160.00.01	8
N032500016	D160.01.01	8
N032500016	D160.02.01	8
N032500023	D040.04.01	16
N033000080	D150.06.01	28
N033000100	B050.00.01	6
N041150638	C050.02.01	15
N041210194	C080.01.01	4
N041210194	C080.01.01	10
N041671658	A080.02.01	7
N041671658	A080.02.01	7
N041671658	K010.08.01	19
N041671658	K010.09.01	19
N041671826	A070.06.01	18
N041671838	K020.16.01	24
N041671838	K020.17.01	24
N041672455	C020.01.01	56
N041672455	C030.01.01	56
N043120638	G270.00.01	7
N043120638	G270.00.02	7
N043120638	G280.00.01	9
N043120660	F040.02.01	10
N043120663	F040.03.01	4
N043120664	B080.01.01	48
N043120686	F030.06.01	86
N043120686	F030.07.01	86
N043120686	G100.00.01	5
N043120686	G110.00.01	5
N043120686	G120.00.01	5
N043120686	G130.00.01	12

Parça No	Sayfa No	No
Part no	Page No	No
N043120686	G140.00.01	12
N043120686	G190.00.01	7
N043120686	G210.00.01	15
N043120686	G230.00.01	4
N043120686	G240.00.01	6
N043120698	G080.00.01	6
N043120710	G130.01.01	14
N043120710	G140.01.01	14
N043120710	G150.00.01	25
N043120710	G160.00.01	20
N043120710	G170.00.01	6
N043120710	G180.00.01	7
N043120710	G180.01.01	7
N043120710	G265.01.01	6
N043120710	G265.02.01	6
N043120794	F030.06.01	19
N043120794	F030.07.01	19
N043121020	D090.02.01	8
N043421274	C020.01.01	9
N043421274	C030.01.01	9
N043700568	K010.01.02	4
N043700616	K020.16.01	55
N043700616	K020.17.01	55
N043701346	C060.01.01	2
N044061070	F030.06.01	46
N044061070	F030.07.01	46
N044320362	C110.01.01	22
N044320362	C120.01.01	11
N044320362	K010.02.07	9
N044320386	C050.02.01	20
N044320386	C060.03.01	4
N044320470	B040.00.01	5
N044320520	F030.06.01	48
N044320520	F030.07.01	48
N044321238	D090.02.01	18
N044321262	D070.00.01	18
N044321274	D040.01.01	9
N044321274	D040.03.01	9
N044330156	A020.06.01	56
N044330230	F040.03.01	2
N044330230	F040.04.01	3
N044330506	C050.02.01	22
N044330506	F030.06.01	75
N044330506	F030.07.01	75
N044330506	F040.02.01	11
N044330506	F040.04.01	31
N044330506	F040.06.01	12
N044330506	F060.07.01	53
N044330506	F060.09.01	53
N044330506	F060.11.01	53
N044330506	F060.13.01	53
N044331118	D020.00.01	38
N044331118	D020.01.01	38
N044331118	D020.02.01	37
N044331118	D020.03.01	38
N044331118	D020.04.01	38
N044331274	D040.00.01	9
N044331274	D040.01.01	11
N044331274	D040.02.01	9
N044331274	D040.03.01	11
N049560840	K010.02.06	3
N049560846	C060.01.01	7

Parça No	Sayfa No	No
Part no	Page No	No
N049560847	B100.03.01	10
N049561282	K010.01.02	7
N049561286	C050.02.01	13
N049561286	C130.01.01	32
N049602042	A080.02.01	10
N049602042	A080.02.01	10
N049602042	A080.04.01	15
N049602042	A090.03.01	16
N049602042	C050.02.01	11
N049602042	C060.03.01	11
N049602042	C080.01.01	11
N049602042	C080.01.01	17
N049602042	C080.01.01	19
N049602042	C090.01.01	10
N049602042	C090.01.01	28
N049602042	C090.01.01	29
N049602042	C090.01.01	35
N049602042	C090.01.01	37
N049602042	C090.01.01	41
N049602042	C110.01.01	14
N049602042	C120.01.01	3
N049602042	C120.01.01	20
N049602042	C140.02.01	8
N049602042	C140.03.01	8
N050020011	C130.01.01	29
N050020015	C130.01.01	21
N050020019	B070.01.01	30
N050020019	B070.02.01	30
N050020019	F050.33.01	22
N050020019	F050.34.01	23
N050020019	F070.05.01	51
N050020019	F070.07.01	58
N050020019	F070.15.01	51
N050020019	F070.16.01	59
N050020019	F160.04.01	59
N050020019	F160.05.01	49
N050020019	F160.07.01	59
N050020027	D030.02.01	6
N050020035	C130.01.01	7
N050020035	F010.02.01	31
N050020035	F030.06.01	81
N050020035	F030.07.01	81
N050020076	D040.04.01	7
N050020090	D010.00.01	17
N050020090	D010.00.01	40
N050020090	D160.00.01	23
N050020090	D160.01.01	23
N050020090	D160.02.01	23
N050020104	D010.00.01	36
N050020104	D080.00.01	12
N050020891	B020.01.01	6
N050220071	D160.00.01	25
N050220071	D160.01.01	25
N050220071	D160.02.01	25
N050220083	C130.01.01	15
N050220112	C130.01.01	11
N050220114	G220.00.03	2
N050220114	G270.00.01	4
N050220114	G270.00.02	4
N050220114	G280.00.01	2
N050220200	G120.00.01	4
N050220200	G130.00.01	2

INDEX

Parça No	Sayfa No	No
Part no	Page No	No
N050220200	G140.00.01	2
N050220200	G220.00.01	2
N050220200	G220.00.02	2
N050220200	G230.00.01	2
N050220200	G240.00.01	4
N050220200	G250.00.01	12
N050220203	D050.01.01	31
N050220203	D050.02.01	31
N050221220	G200.00.01	12
N050760003	C110.01.01	28
N050760003	C120.01.01	25
N050760008	A020.06.01	54
N050760018	D010.00.01	3
N050760018	D010.00.01	42
N050760018	D010.00.03	12
N050900062	G220.00.03	16
N051350050	G265.01.01	3
N061001615	A020.06.01	16
N061002015	B070.01.01	9
N061002015	B070.02.01	9
N061002525	D040.04.01	37
N061005100	G220.00.01	5
N061005100	G220.00.02	5
N061005100	G250.00.01	3
N061006040	D140.00.01	5
N061008070	D060.00.01	9
N061008070	D060.01.01	2
N061008070	D060.02.01	3
N063004064	D160.00.01	29
N063004064	D160.01.01	29
N063004064	D160.02.01	27
N063006042	B020.00.01	24
N063006042	B040.00.01	7
N063006042	D010.00.03	18
N063006042	D060.00.01	1
N063006042	D060.01.01	12
N063006042	D060.02.01	14
N063006042	D090.02.01	10
N063006042	D140.00.01	3
N063006097	D060.01.01	6
N063006097	D060.02.01	7
N072016003	F070.07.01	42
N072016003	F070.16.01	42
N072016013	D010.00.02	13
N072017203	F140.04.01	27
N072020503	F130.02.01	3
N072020503	F130.02.01	7
N072020503	F130.02.01	15
N072020503	F130.06.01	8
N072020503	F140.03.01	17
N072020503	F140.04.01	25
N072020503	F150.04.01	7
N072020503	F150.06.01	7
N072020503	F150.08.01	50
N072022000	D150.06.01	23
N072023503	F120.02.01	3
N072023503	F120.06.01	3
N072023503	F130.02.01	17
N072023503	F130.06.01	11
N072023503	F140.03.01	3
N072023503	F140.04.01	3
N072025001	F130.02.01	16

Parça No	Sayfa No	No
Part no	Page No	No
N072025001	F130.06.01	12
N072027512	F150.03.01	16
N072027512	F150.03.01	22
N072027512	F150.04.01	12
N072027512	F150.04.01	15
N072027512	F150.05.01	16
N072027512	F150.05.01	22
N072027512	F150.06.01	12
N072027512	F150.06.01	15
N072027512	F150.07.01	30
N072027512	F150.08.01	41
N072027512	F150.09.01	41
N072027513	F150.03.01	17
N072027513	F150.03.01	23
N072027513	F150.04.01	4
N072027513	F150.04.01	14
N072027513	F150.05.01	17
N072027513	F150.05.01	23
N072027513	F150.06.01	4
N072027513	F150.06.01	14
N072027513	F150.07.01	31
N072027513	F150.08.01	42
N072027513	F150.09.01	42
N072130017	F080.01.01	5
N072130040	F080.00.01	5
N072130095	J010.10.01	15
N072130095	J010.08.01	15
N072130096	J010.10.01	16
N072130096	J010.08.01	16
N072130100	F080.03.01	2
N072130122	F080.03.01	9
N072130132	F080.03.01	5
N072130133	F080.02.01	2
N072130139	F080.02.01	9
N072130140	F080.02.01	5
N072130145	F080.00.01	38
N072130157	F080.01.01	42
N072130164	F080.01.01	38
N072130200	F080.00.01	9
N072130200	F080.00.01	14
N072130201	F080.01.01	10
N072130201	F080.01.01	14
N072130210	F080.00.01	17
N072130210	F080.00.01	23
N072130211	F080.01.01	16
N072130211	F080.01.01	22
N073013503	F210.01.01	7
N073013503	J010.08.01	12
N073016000	D040.04.01	38
N073016001	D040.04.01	21
N073016002	D020.00.01	9
N073016002	D020.01.01	9
N073016002	D020.02.01	8
N073016002	D020.03.01	9
N073016002	D020.04.01	9
N073016002	D040.04.01	19
N073016002	F090.00.01	2
N073016002	F090.02.01	5
N073016002	F090.04.01	2
N073016002	F210.01.01	6
N073016002	H010.00.01	6
N073016002	H010.00.01	32

Parça No	Sayfa No	No
Part no	Page No	No
N073016002	H010.03.01	20
N073016002	H010.03.01	34
N073016002	J010.08.01	11
N073016003	D020.00.01	8
N073016003	D020.01.01	8
N073016003	D020.02.01	9
N073016003	D020.03.01	8
N073016003	D020.04.01	8
N073016003	D040.04.01	20
N073016003	F090.00.01	3
N073016003	F090.02.01	4
N073016003	F090.04.01	3
N073016003	H010.00.01	5
N073016003	H010.00.01	31
N073016003	H010.03.01	19
N073016003	H010.03.01	33
N073020002	D050.02.01	48
N073020002	F070.05.01	43
N073020002	F070.07.01	51
N073020002	F070.15.01	43
N073020002	F070.16.01	51
N073020003	F070.05.01	33
N073020003	F070.07.01	32
N073020003	F070.15.01	33
N073020003	F070.16.01	32
N073020021	D050.01.01	18
N073020021	D050.02.01	18
N073023272	F150.03.01	19
N073023272	F150.04.01	1
N073023272	F150.05.01	19
N073023272	F150.06.01	1
N073026913	F150.03.01	20
N073026913	F150.04.01	11
N073026913	F150.05.01	20
N073026913	F150.06.01	11
N074010016	A050.06.01	54
N074010016	A070.06.01	24
N074016025	A050.06.01	55
N074016025	A080.04.01	14
N074016025	A080.04.01	21
N074016025	A090.03.01	14
N074016025	A090.03.01	22
N074016025	F050.33.01	56
N074016025	F050.34.01	63
N074016027	A080.04.01	40
N074016027	A090.03.01	71
N074040060	A050.06.01	56
N074040070	A080.04.01	42
N074040070	A090.03.01	73
N074050070	A030.00.01	21
N074050070	A030.01.01	21
N074050070	A050.06.01	57
N074050070	A090.03.01	49
N074070090	A030.00.01	3
N074080100	A030.00.01	8
N074080100	A030.00.01	19
N074080100	A030.01.01	8
N074080100	A030.01.01	19
N074080100	D020.00.01	36
N074080100	D020.01.01	36
N074080100	D020.02.01	29
N074080100	D020.03.01	36

INDEX

Parça No	Sayfa No	No
Part no	Page No	No
N074080100	D020.04.01	36
N074080100	F150.08.01	38
N074080100	F150.09.01	47
N074090110	A030.00.01	22
N074090110	A030.01.01	22
N074100120	F070.05.01	3
N074100120	F070.05.01	27
N074100120	F070.07.01	3
N074100120	F070.07.01	27
N074100120	F070.15.01	3
N074100120	F070.15.01	27
N074100120	F070.16.01	3
N074100120	F070.16.01	27
N074100120	F140.02.01	12
N074100120	F140.03.01	15
N074100120	F140.04.01	13
N074100120	F140.06.01	11
N074120140	F110.01.01	4
N074120140	F110.02.01	7
N074404567	A050.06.01	58
N074405779	A050.06.01	59
N077002200	A090.03.01	40
N077002200	K020.16.01	43
N077002200	K020.17.01	43
N077002426	A050.06.01	29
N077002426	A090.03.01	23
N077003500	A090.03.01	25
N077003500	F060.07.01	47
N077003500	F060.08.01	47
N077003500	F060.09.01	47
N077003500	F060.10.01	47
N077003500	F060.11.01	47
N077003500	F060.12.01	47
N077003500	F060.13.01	47
N077003500	F060.14.01	47
N077003500	F070.05.01	37
N077003500	F070.07.01	33
N077003500	F070.15.01	37
N077003500	F070.16.01	33
N077003500	K020.16.01	39
N077003500	K020.17.01	39
N077012508	A010.09.01	32
N078205963	F050.33.01	34
N078205963	F050.34.01	42
N078308591	A040.00.01	11
N079701012	A040.00.01	22
N081210020	B020.00.01	17
N081210020	B050.00.01	10
N081210020	B050.00.01	17
N081210020	B050.00.01	22
N081210020	B050.01.01	3
N081210020	D010.00.01	7
N081210020	D010.00.01	34
N081210020	D010.00.03	8
N081210020	D020.00.01	7
N081210020	D020.01.01	7
N081210020	D020.02.01	6
N081210020	D020.03.01	7
N081210020	D020.04.01	7
N081210020	D040.00.01	5
N081210020	D040.01.01	5
N081210020	D040.02.01	5

Parça No	Sayfa No	No
Part no	Page No	No
N081210020	D040.03.01	5
N081210020	D040.04.01	42
N081210020	D050.00.01	9
N081210020	D050.02.01	22
N081210020	D050.03.01	11
N081210020	D080.00.01	8
N081210020	D090.00.01	4
N081210020	D090.02.01	21
N081210020	D100.00.01	16
N081210020	D120.00.01	13
N081210020	D120.00.01	15
N081210020	D160.00.01	6
N081210020	D160.01.01	6
N081210020	D160.02.01	6
N081210020	E010.06.01	8
N081210020	F040.04.01	24
N081210020	F040.06.01	24
N081210020	G080.00.01	13
N081210020	G100.00.01	11
N081210020	G110.00.01	11
N081210020	G120.00.01	13
N081210020	G130.01.01	21
N081210020	G140.01.01	21
N081210020	G150.00.01	4
N081210020	G160.00.01	14
N081210020	G170.00.01	3
N081210020	G180.00.01	3
N081210020	G180.01.01	3
N081210020	G190.00.01	4
N081210020	G220.00.01	11
N081210020	G220.00.02	11
N081210020	G220.00.03	4
N081210020	G230.00.01	12
N081210020	G240.00.01	5
N081210020	G250.00.01	9
N081210020	G265.02.01	3
N081210020	G270.00.01	1
N081210020	G270.00.02	1
N081210020	G280.00.01	4
N090200300	C130.01.01	12
N090201310	D050.01.01	32
N090201310	D050.02.01	32
N090990204	C110.01.01	24
N090990204	C120.01.01	23
N099001000	G270.00.01	6
N099001000	G270.00.02	6
N099001000	G280.00.01	8
N099001060	G080.00.01	7
N099001060	G100.00.01	6
N099001060	G110.00.01	6
N099001060	G120.00.01	7
N099001060	G130.00.01	11
N099001060	G130.01.01	15
N099001060	G140.00.01	11
N099001060	G140.01.01	15
N099001060	G150.00.01	24
N099001060	G160.00.01	21
N099001060	G170.00.01	7
N099001060	G180.00.01	6
N099001060	G180.01.01	6
N099001060	G190.00.01	8
N099001060	G210.00.01	16

Parça No	Sayfa No	No
Part no	Page No	No
N099001060	G230.00.01	5
N099001060	G240.00.01	7
N099001060	G265.01.01	7
N099001060	G265.02.01	7
N100006030	G265.01.01	20
N100014127	F040.02.01	7
N100303597	G270.00.02	15
N100303597	G280.00.01	15
N100404597	G120.00.01	18
N100404597	G190.00.01	16
N100404597	G230.00.01	17
N100404597	G240.00.01	17
N100404597	G270.00.01	15
N100505597	G080.00.01	17
N100505597	G100.00.01	17
N100505597	G110.00.01	17
N100505597	G130.00.01	18
N100505597	G140.00.01	18
N100505597	G210.00.01	7
N100505597	G220.00.01	17
N100505597	G220.00.02	17
N100505597	G250.00.01	16
N100556097	G150.00.01	11
N100606515	G170.00.01	20
N100606515	G180.00.01	17
N100606515	G180.01.01	17
N100606515	G265.02.01	20
N100657097	G160.00.01	7
N101101059	G150.00.01	20
N101657056	G120.00.01	8
N101657056	G130.00.01	7
N101657056	G140.00.01	7
N101657056	G190.00.01	6
N101657056	G230.00.01	7
N101657056	G240.00.01	9
N101657097	F100.01.01	6
N101748065	G100.00.01	8
N101748065	G110.00.01	8
N101748065	G210.00.01	12
N101748065	G220.00.01	8
N101748065	G220.00.02	8
N101849065	G080.00.01	8
N101849065	G180.00.01	9
N101849065	G180.01.01	9
N101911597	G160.00.01	16
N101911597	G265.01.01	9
N101949965	G130.01.01	18
N101949965	G140.01.01	18
N101949965	G170.00.01	9
N101949965	G265.02.01	9
N101999965	G160.00.01	23
N102000717	A090.03.01	82
N102000818	F050.33.01	12
N102000818	F050.34.01	85
N102000818	J010.10.01	39
N102000818	J010.08.01	39
N102000918	C020.01.01	62
N102000918	C030.01.01	62
N102000918	F050.33.01	23
N102000918	F050.34.01	24
N102000918	F070.05.01	48
N102000918	F070.07.01	59

INDEX

Parça No	Sayfa No	No
Part no	Page No	No
N102000918	F070.15.01	48
N102000918	F070.16.01	56
N102000918	F160.04.01	61
N102000918	F160.05.01	51
N102000918	F160.07.01	61
N102001119	F030.07.01	91
N102001119	F050.34.01	73
N102001119	F050.34.01	77
N102001119	F060.07.01	32
N102001119	F060.07.01	41
N102001119	F060.08.01	32
N102001119	F060.08.01	41
N102001119	F060.09.01	32
N102001119	F060.09.01	41
N102001119	F060.10.01	32
N102001119	F060.10.01	41
N102001119	F060.11.01	32
N102001119	F060.11.01	41
N102001119	F060.11.01	56
N102001119	F060.12.01	32
N102001119	F060.12.01	41
N102001119	F060.12.01	56
N102001119	F060.13.01	32
N102001119	F060.13.01	41
N102001119	F060.13.01	56
N102001119	F060.14.01	32
N102001119	F060.14.01	41
N102001119	F060.14.01	56
N102001119	H010.00.01	17
N102001119	H010.03.01	22
N102001119	J010.10.01	10
N102001119	J010.08.01	10
N102001417	D030.02.01	4
N102001526	F120.03.01	4
N102001527	F030.06.01	71
N102001527	F030.07.01	71
N102001527	F060.07.01	21
N102001527	F060.08.01	21
N102001527	F060.09.01	21
N102001527	F060.10.01	21
N102001527	F060.11.01	21
N102001527	F060.12.01	21
N102001527	F060.13.01	21
N102001527	F060.14.01	21
N102001622	A010.09.01	37
N102001717	A090.03.01	81
N102001923	D020.01.01	34
N102001923	D020.02.01	18
N102001923	D020.03.01	34
N102001923	D020.04.01	34
N102001923	F010.02.01	33
N102001923	F050.33.01	2
N102001923	F120.03.01	3
N102001924	D020.00.01	34
N102001924	F090.00.01	11
N102002329	D150.00.01	7
N102002329	D150.01.01	7
N102002935	G200.00.01	18
N102002935	G270.00.01	10
N102002935	G270.00.02	10
N102002935	G280.00.01	11
N102003035	G220.00.03	9

Parça No	Sayfa No	No
Part no	Page No	No
N102003335	F050.33.01	6
N102003737	A010.09.01	31
N102003935	G220.00.01	9
N102003935	G220.00.02	9
N102004035	G120.00.01	10
N102004035	G130.00.01	10
N102004035	G140.00.01	10
N102004035	G190.00.01	5
N102004035	G230.00.01	9
N102004035	G240.00.01	11
N102004035	G250.00.01	6
N102004226	F050.33.01	59
N102004226	F050.34.01	57
N102004535	G200.00.01	15
N102004535	G220.00.03	13
N102004935	G080.00.01	4
N102004935	G100.00.01	4
N102004935	G110.00.01	4
N102004935	G180.00.01	5
N102004935	G180.01.01	5
N102004935	G210.00.01	14
N102005535	G150.00.01	26
N102005634	G130.01.01	17
N102005634	G140.01.01	17
N102005634	G170.00.01	5
N102005634	G265.02.01	5
N102005636	F050.33.01	38
N102005636	F050.34.01	39
N102005835	G270.00.01	16
N102005835	G270.00.02	16
N102005835	G280.00.01	18
N102005935	G265.01.01	5
N102005953	G150.00.01	8
N102006403	G160.00.01	18
N102006420	G120.00.01	23
N102006420	G190.00.01	21
N102006420	G230.00.01	23
N102006420	G240.00.01	22
N102006440	G120.00.01	20
N102006440	G130.00.01	20
N102006440	G140.00.01	20
N102006440	G190.00.01	18
N102006440	G230.00.01	19
N102006440	G240.00.01	19
N102007002	G130.00.01	24
N102007002	G140.00.01	24
N102007340	G100.00.01	19
N102007340	G110.00.01	19
N102007340	G210.00.01	9
N102007340	G220.00.01	19
N102007340	G220.00.02	19
N102007340	G250.00.01	18
N102007420	G100.00.01	21
N102007420	G110.00.01	21
N102007420	G210.00.01	21
N102008020	G080.00.01	22
N102008030	G120.00.01	22
N102008030	G130.00.01	23
N102008030	G140.00.01	23
N102008030	G190.00.01	20
N102008030	G230.00.01	22
N102008030	G240.00.01	21

Parça No	Sayfa No	No
Part no	Page No	No
N102008440	G080.00.01	19
N102008440	G180.00.01	18
N102008440	G180.01.01	19
N102008720	G180.00.01	22
N102008720	G180.01.01	22
N102008853	G150.00.01	22
N102009020	G130.01.01	8
N102009020	G140.01.01	8
N102009020	G170.00.01	25
N102009020	G265.02.01	1
N102009029	G100.00.01	22
N102009029	G110.00.01	22
N102009029	G210.00.01	1
N102009435	G130.01.01	10
N102009435	G140.01.01	10
N102009435	G170.00.01	22
N102009435	G265.02.01	22
N102009835	G150.00.01	9
N102009931	G080.00.01	21
N102009931	G180.01.01	21
N102009936	F010.02.01	42
N102009936	G160.00.01	8
N102009936	G265.01.01	16
N102010520	G160.00.01	24
N102010520	G265.01.01	1
N102010630	G150.00.01	10
N102011003	G130.01.01	22
N102011003	G140.01.01	22
N102011003	G170.00.01	26
N102011003	G265.02.01	26
N102012630	G265.01.01	22
N102012634	F050.33.01	43
N102012634	F050.34.01	37
N102013030	G160.00.01	25
N102013335	F010.02.01	30
N103345018	G200.00.01	17
N103345018	G220.00.03	8
N103446000	G270.00.02	9
N103446000	G280.00.01	10
N103476300	G270.00.01	9
N103587000	G120.00.01	9
N103587000	G130.00.01	8
N103587000	G140.00.01	8
N103587000	G190.00.01	10
N103587000	G230.00.01	8
N103587000	G240.00.01	10
N103607010	F100.01.01	5
N103668000	G100.00.01	9
N103668000	G110.00.01	9
N103668000	G210.00.01	11
N103668000	G220.00.01	7
N103668000	G220.00.02	7
N103668000	G250.00.01	5
N103709000	G080.00.01	9
N103709000	G180.00.01	10
N103709000	G180.01.01	10
N103861000	G130.01.01	19
N103861000	G140.01.01	19
N103861000	G170.00.01	10
N103861000	G265.02.01	10
N103891056	G150.00.01	21
N103991156	G160.00.01	17

INDEX

Parça No	Sayfa No	No
Part no	Page No	No
N103991156	G265.01.01	10
N104304007	G200.00.01	14
N104304009	G220.00.03	14
N104304010	G270.00.02	14
N104304010	G280.00.01	16
N104405013	G120.00.01	17
N104405013	G190.00.01	15
N104405013	G230.00.01	15
N104405013	G240.00.01	16
N104405013	G270.00.01	14
N104506010	G220.00.01	16
N104506010	G220.00.02	16
N104506010	G250.00.01	15
N104506013	G080.00.01	16
N104506013	G100.00.01	16
N104506013	G110.00.01	16
N104506013	G130.00.01	17
N104506013	G140.00.01	17
N104506013	G210.00.01	6
N104557007	G150.00.01	6
N104607015	G130.01.01	7
N104607015	G140.01.01	7
N104607015	G170.00.01	19
N104607015	G180.00.01	16
N104607015	G180.01.01	16
N104607015	G265.01.01	19
N104607015	G265.02.01	19
N104607506	G130.01.01	9
N104607506	G140.01.01	9
N104607506	G170.00.01	21
N104607506	G180.00.01	1
N104607506	G180.01.01	1
N104607506	G265.01.01	21
N104607506	G265.02.01	21
N104658063	G160.00.01	6
N105303807	G200.00.01	13
N105303807	G220.00.03	15
N105303807	G270.00.02	13
N105303807	G280.00.01	17
N105404805	G120.00.01	16
N105404805	G190.00.01	14
N105404805	G230.00.01	16
N105404805	G240.00.01	15
N105404805	G270.00.01	13
N105445405	D090.00.01	5
N105445405	D090.02.01	19
N105505804	G220.00.01	15
N105505804	G220.00.02	15
N105505804	G250.00.01	14
N105505805	G080.00.01	15
N105505805	G100.00.01	15
N105505805	G110.00.01	15
N105505805	G130.00.01	16
N105505805	G140.00.01	16
N105505805	G210.00.01	5
N105556506	G150.00.01	5
N105607006	G130.01.01	6
N105607006	G140.01.01	6
N105607006	G170.00.01	18
N105607006	G180.00.01	15
N105607006	G180.01.01	15
N105607006	G265.01.01	18

Parça No	Sayfa No	No
Part no	Page No	No
N105607006	G265.02.01	18
N105657505	B050.00.01	9
N105657505	B050.00.01	24
N105657505	B050.01.01	5
N105657567	G160.00.01	5
N105708505	B050.00.01	4
N105708505	B050.01.01	4
N106253505	C130.01.01	31
N107405506	G120.00.01	1
N107405506	G190.00.01	1
N107405506	G230.00.01	1
N107405506	G240.00.01	23
N107506004	G130.00.01	1
N107506004	G140.00.01	1
N107506506	G080.00.01	1
N107506506	G100.00.01	1
N107506506	G110.00.01	1
N107506506	G210.00.01	20
N130010090	Y020.66.01	10
N130010090	Y020.67.01	10
N130010090	Y020.68.01	10
N130010090	Y020.69.01	11
N130010090	Y020.70.01	10
N130010090	Y020.71.01	10
N130010090	Y020.72.01	10
N130020295	D060.00.01	15
N130020295	D070.00.01	16
N130020295	F160.04.01	29
N130020295	F160.07.01	29
N130020295	Y020.66.01	11
N130020295	Y020.67.01	11
N130020295	Y020.68.01	11
N130020295	Y020.69.01	12
N130020295	Y020.70.01	11
N130020295	Y020.71.01	11
N130020295	Y020.72.01	11
N130165180	E070.00.01	22
N130165180	F020.07.01	38
N130165180	F020.09.01	38
N130165180	F020.10.01	38
N130165180	F020.11.01	38
N130165180	F030.06.01	50
N130165180	F030.07.01	50
N140010650	D070.00.01	31
N140013201	F150.07.01	10
N140013201	F150.08.01	6
N140013201	F150.09.01	6
N153430438	G200.00.01	19
N153430438	G220.00.03	6
N156450958	C040.00.01	28
N156451678	D040.04.01	28
N156451938	D040.04.01	24
N156452168	B050.00.01	14
N156452538	B060.00.01	11
N156452538	D070.00.01	3
N156453438	D170.00.01	3
N156453498	B060.00.01	7
N163430360	D050.01.01	14
N163430808	F060.07.01	42
N163430808	F060.08.01	42
N163430808	F060.09.01	42
N163430808	F060.10.01	42

Parça No	Sayfa No	No
Part no	Page No	No
N163430808	F060.11.01	42
N163430808	F060.12.01	42
N163430808	F060.13.01	42
N163430808	F060.14.01	42
N163430814	F020.07.01	44
N163430814	F020.10.01	41
N163430814	F050.33.01	44
N163430814	F050.33.01	46
N163430814	F050.34.01	35
N163430814	F050.34.01	51
N163430814	F060.07.01	24
N163430814	F060.08.01	24
N163430814	F060.08.01	60
N163430814	F060.09.01	24
N163430814	F060.10.01	24
N163430814	F060.10.01	60
N163430814	F060.11.01	24
N163430814	F060.12.01	24
N163430814	F060.12.01	60
N163430814	F060.13.01	24
N163430814	F060.14.01	24
N163430814	F060.14.01	60
N163430814	F100.01.01	21
N163430814	F150.05.01	25
N163430814	F150.06.01	31
N163430814	F150.07.01	35
N163430814	H010.00.01	11
N163430814	H010.00.01	19
N163430814	H010.03.01	12
N163430814	J010.08.01	34
N163430849	D050.00.01	12
N163430849	D050.01.01	10
N163430849	D050.02.01	10
N163430849	D050.03.01	6
N163430849	F090.01.01	5
N163430849	F160.04.01	40
N163430849	F160.04.01	42
N163430849	F160.04.01	44
N163430849	F160.05.01	37
N163430849	F160.07.01	40
N163430849	F160.07.01	42
N163430849	F160.07.01	44
N163430849	F210.01.01	18
N163430849	H010.00.01	9
N163430849	H010.03.01	6
N163430849	H010.03.01	9
N163430940	D050.00.01	13
N163430940	D050.02.01	14
N163430940	D050.03.01	7
N163430940	D070.00.01	32
N163430940	F070.15.01	64
N163430940	F070.16.01	73
N163430940	H010.00.01	8
N163430940	H010.00.01	22
N163430940	H010.03.01	2
N163430940	H010.03.01	4
N163430975	F050.34.01	7
N163430975	F050.34.01	9
N163450094	F140.02.01	38
N163450094	F140.04.01	21
N163450094	F150.08.01	49
N163450094	F150.09.01	9

INDEX

Parça No	Sayfa No	No
Part no	Page No	No
N163450094	F160.04.01	21
N163450094	F160.05.01	21
N163450094	F160.07.01	21
N163450122	D030.02.01	1
N163450122	F070.05.01	6
N163450122	F070.05.01	44
N163450122	F070.07.01	6
N163450122	F070.07.01	52
N163450122	F070.15.01	6
N163450122	F070.15.01	44
N163450122	F070.16.01	6
N163450122	F070.16.01	52
N163450122	F140.02.01	24
N163450122	F140.04.01	10
N163450129	F140.02.01	18
N163450129	F140.04.01	12
N163450143	F150.08.01	10
N163450143	F150.09.01	10
N163470400	F060.07.01	49
N163470400	F060.08.01	49
N163470400	F060.09.01	49
N163470400	F060.10.01	49
N163470400	F060.11.01	49
N163470400	F060.12.01	49
N163470400	F060.13.01	49
N163470400	F060.14.01	49
N163470400	F150.05.01	28
N163470400	F150.06.01	34
N163470400	F150.07.01	38
N163470405	F050.34.01	2
N163470409	F190.02.01	10
N163471157	J010.10.01	24
N163471157	J010.08.01	24
N163490276	F010.02.01	46
N163570143	D070.00.01	35
N163570143	F100.01.01	18
N163570157	G200.00.01	4
N163570248	F070.05.01	21
N163570248	F070.07.01	21
N163570248	F070.15.01	21
N163570248	F070.16.01	21
N163570249	F070.05.01	34
N163570249	F070.07.01	36
N163570249	F070.15.01	34
N163570249	F070.16.01	36
N163570262	F160.04.01	24
N163570262	F160.05.01	24
N163570262	F160.07.01	23
N163610129	F110.02.01	3
N163610129	F140.02.01	35
N163610129	F150.07.01	33
N163610129	F150.08.01	46
N163610129	F150.09.01	21
N163610129	F160.04.01	3
N163610129	F160.05.01	3
N163610129	F160.07.01	3
N163610212	F130.06.01	4
N163610212	F140.02.01	6
N163610212	F140.06.01	4
N163610234	F130.06.01	6
N163610234	F140.02.01	5
N163610234	F140.06.01	3

Parça No	Sayfa No	No
Part no	Page No	No
N163610276	F150.03.01	8
N163610276	F150.05.01	8
N163610276	F150.07.01	32
N163610276	F150.08.01	23
N163610276	F150.09.01	23
N163610276	F160.04.01	6
N163610276	F160.05.01	6
N163610276	F160.07.01	6
N163750045	F150.08.01	12
N163750045	F150.09.01	12
N163750045	H010.00.01	21
N163750045	H010.03.01	8
N163750045	H010.03.01	11
N163750094	F050.33.01	32
N163750094	F050.34.01	48
N163750094	F150.08.01	3
N163750094	F150.09.01	3
N163770031	F060.07.01	48
N163770031	F060.08.01	48
N163770031	F060.09.01	48
N163770031	F060.10.01	48
N163770031	F060.11.01	48
N163770031	F060.12.01	48
N163770031	F060.13.01	48
N163770031	F060.14.01	48
N163770031	J010.10.01	43
N163770031	J010.08.01	43
N163770045	F050.34.01	80
N163770073	F050.33.01	4
N163770085	F050.34.01	69
N163790031	F050.33.01	25
N163790031	F060.07.01	39
N163790031	F060.07.01	44
N163790031	F060.08.01	39
N163790031	F060.08.01	44
N163790031	F060.09.01	39
N163790031	F060.09.01	44
N163790031	F060.10.01	39
N163790031	F060.10.01	44
N163790031	F060.11.01	39
N163790031	F060.11.01	44
N163790031	F060.12.01	39
N163790031	F060.12.01	44
N163790031	F060.13.01	39
N163790031	F060.13.01	44
N163790031	F060.14.01	39
N163790031	F060.14.01	44
N163790031	F150.05.01	27
N163790031	F150.06.01	33
N163790031	F150.07.01	37
N163790031	F210.01.01	23
N163790031	J010.10.01	11
N163790031	J010.10.01	14
N163790031	J010.08.01	14
N163790038	D050.01.01	6
N163790038	D050.01.01	22
N163790038	D050.02.01	6
N163790038	F030.06.01	38
N163790038	F030.07.01	38
N163790038	F060.07.01	45
N163790038	F060.08.01	45
N163790038	F060.09.01	45

Parça No	Sayfa No	No
Part no	Page No	No
N163790038	F060.10.01	45
N163790038	F060.11.01	45
N163790038	F060.12.01	45
N163790038	F060.13.01	45
N163790038	F060.14.01	45
N163790038	F110.01.01	8
N163790038	F110.02.01	11
N163790038	F180.00.01	11
N163790038	J010.10.01	46
N163790038	J010.08.01	46
N163790038	K050.02.01	11
N163790073	F070.15.01	62
N163790073	F070.16.01	71
N163790094	F050.33.01	52
N163790094	F050.34.01	30
N166000503	F050.33.01	5
N166631082	F100.01.01	14
N169900070	D070.00.01	22
N169900070	F180.00.01	1
N169900101	D150.00.01	5
N169900101	D150.01.01	5
N169900101	D150.07.01	22
N169900101	D150.09.01	5
N169900101	D150.10.01	14
N169900101	F150.03.01	10
N169900101	F150.04.01	20
N169900101	F150.05.01	10
N169900101	F150.06.01	20
N169900101	F150.07.01	20
N169900101	F150.08.01	28
N169900101	F150.09.01	32
N169900101	F160.04.01	22
N169900101	F160.05.01	28
N169900101	F160.07.01	27
N169900102	D150.00.01	2
N169900102	D150.01.01	2
N169900102	D150.07.01	19
N169900102	D150.09.01	6
N169900102	D150.10.01	11
N169900102	F150.03.01	11
N169900102	F150.04.01	19
N169900102	F150.05.01	11
N169900102	F150.06.01	19
N169900102	F150.07.01	21
N169900102	F150.08.01	32
N169900102	F150.09.01	28
N169900102	F160.04.01	31
N169900102	F160.05.01	32
N169900102	F160.07.01	31
N173570115	F100.01.01	10
N173570150	F100.01.01	16
N173570164	D070.00.01	29
N173570164	D070.00.01	41
N173570164	F190.02.01	8
N173570164	F210.01.01	10
N173570164	G200.00.01	7
N173570192	F050.33.01	20
N173570192	F050.34.01	21
N173570192	F070.05.01	50
N173570192	F070.07.01	56
N173570192	F070.15.01	50
N173570192	F070.16.01	58

INDEX

Parça No	Sayfa No	No
Part no	Page No	No
N173570192	F160.04.01	62
N173570192	F160.05.01	52
N173570192	F160.07.01	62
N173570248	D030.02.01	3
N173570248	F070.05.01	41
N173570248	F070.07.01	54
N173570248	F070.15.01	41
N173570248	F070.16.01	54
N173570276	F010.02.01	34
N183570115	F100.01.01	13
N183570150	F100.01.01	17
N183570164	D070.00.01	28
N183570164	D070.00.01	40
N183570164	F190.02.01	9
N183570164	F210.01.01	9
N183570164	G200.00.01	8
N183570248	F070.05.01	40
N183570248	F070.07.01	53
N183570248	F070.15.01	40
N183570248	F070.16.01	53
N192610508	A080.04.01	19
N19610508	A090.03.01	78
N500100108	D160.00.01	21
N500100108	D160.01.01	21
N500100108	D160.02.01	21
N993334012	D160.00.01	28
N993334012	D160.01.01	28
N993600000	A090.03.01	30
S0641346	A020.06.01	60
S0642003	E050.03.02	050
S0642017	E040.04.10	320
S0642017	E050.03.07	160
S0642018	E050.03.07	170
S0642018	E050.03.09	120
S0642019	E050.03.07	180
S0642021	E050.03.08	070
S0642022	E050.03.08	080
S0642025	E050.03.08	030
S0642029	E050.03.08	070/010
S0642032	E050.03.08	070/020
S0642033	E050.03.08	070/030
S0642034	E050.03.08	070/040
S0642036	E050.03.08	070/050
S0642037	E050.03.08	070/060
S0642039	E050.03.08	090
S0642040	E050.03.02	050
S0642041	E050.03.02	050
S0642042	E050.03.02	050
S0642043	E050.03.02	050
S0642044	E050.03.02	050
S0642045	E050.03.02	050
S0642047	E050.03.02	050
S0642048	E050.03.02	050
S0642075	E050.03.02	010
S0642076	E050.03.02	020
S0642627	E050.03.02	110
S0642757	E040.04.03	400
S0642760	E040.04.04	580
S0642763	E040.04.04	590
S0642776	E040.04.07	180
S0642781	E040.04.09	024
S0642791	E040.04.09	420/050

Parça No	Sayfa No	No
Part no	Page No	No
S0642791	E040.04.09	550/050
S0642792	E040.04.09	553
S0642812	E040.04.10	220
S0642813	E040.04.10	240
S0642814	E040.04.10	260
S0642816	E040.04.06	210
S0642817	E040.04.06	290
S0642819	E040.04.07	010
S0642820	E040.04.07	030
S0642821	E040.04.07	080
S0642822	E040.04.07	080/010
S0642823	E040.04.07	080/020
S0642824	E040.04.07	220
S0642831	E040.04.08	010/070
S0642839	E050.03.02	050
S0642840	E050.03.02	050
S0642841	E050.03.02	050
S0642842	E050.03.02	050
S0642843	E050.03.02	050
S0642844	E050.03.02	050
S0642845	E050.03.02	050
S0642846	E050.03.02	050
S0642847	E050.03.02	050
S0642848	E050.03.02	050
S0642849	E050.03.02	050
S0642850	E050.03.02	050
S0642851	E050.03.02	050
S0642852	E050.03.02	050
S0642853	E050.03.02	050
S0642854	E050.03.02	050
S0642855	E050.03.02	050
S0642856	E050.03.02	050
S0642857	E050.03.02	080
S0642858	E050.03.02	110
S0642859	E050.03.02	110
S0642860	E050.03.02	110
S0642861	E050.03.02	110
S0642862	E050.03.02	110
S0642863	E050.03.02	110
S0642864	E050.03.02	110
S0642865	E050.03.02	110
S0642866	E050.03.02	110
S0642867	E050.03.02	110
S0642868	E050.03.02	110
S0642869	E050.03.02	110
S0642870	E050.03.02	110
S0642871	E050.03.02	110
S0642872	E050.03.02	110
S0642873	E050.03.02	110
S0642874	E050.03.02	110
S0642875	E050.03.02	110
S0642876	E050.03.02	110
S0642877	E050.03.02	110
S0642878	E050.03.02	110
S0642879	E050.03.02	110
S0642880	E050.03.02	110
S0642881	E050.03.02	110
S0642882	E050.03.02	110
S0642883	E050.03.02	110
S0642884	E050.03.02	110
S0642885	E050.03.02	110
S0642886	E050.03.02	110

Parça No	Sayfa No	No
Part no	Page No	No
S0642887	E050.03.02	110
S0642888	E050.03.02	110
S0642889	E050.03.02	110
S0642890	E050.03.02	110
S0642891	E050.03.02	110
S0642892	E050.03.02	110
S0642893	E050.03.02	110
S0642894	E050.03.02	110
S0642895	E050.03.02	110
S0642896	E050.03.02	110
S0642897	E050.03.02	110
S0642898	E050.03.02	110
S0642899	E050.03.02	110
S0642900	E050.03.02	110
S0642901	E050.03.02	110
S0642902	E040.04.02	080
S0642902	E050.03.02	150
S0642903	E050.03.02	270
S0642904	E050.03.02	290
S0642905	E050.03.03	030
S0642906	E050.03.03	042
S0642907	E050.03.03	043
S0642908	E050.03.03	044
S0642909	E050.03.03	045
S0642910	E050.03.03	060
S0642911	E050.03.04	010
S0642912	E050.03.04	012
S0642913	E050.03.04	020
S0642914	E050.03.04	030
S0642915	E050.03.04	040
S0642916	E050.03.04	050
S0642917	E050.03.04	060
S0642918	E050.03.04	090
S0642919	E050.03.04	100
S0642920	E050.03.04	130
S0642921	E050.03.04	150
S0642922	E050.03.04	160
S0642923	E050.03.04	170
S0642924	E050.03.04	180
S0642925	E050.03.04	190
S0642926	E050.03.04	200
S0642928	E050.03.05	090
S0642930	E050.03.05	110
S0642931	E050.03.05	120
S0642932	E050.03.05	130
S0642933	E050.03.05	140
S0642934	E050.03.05	150
S0642935	E050.03.05	160
S0642936	E050.03.05	170
S0642937	E050.03.05	180
S0642938	E050.03.05	190
S0642939	E050.03.05	200
S0642940	E050.03.05	210
S0642941	E050.03.05	220
S0642942	E050.03.05	260
S0642942	E050.03.07	130
S0642942	E050.03.09	180
S0642943	E050.03.05	270
S0642944	E050.03.05	280
S0642945	E050.03.05	290
S0642946	E050.03.05	310
S0642947	E050.03.05	320

INDEX

Parça No	Sayfa No	No
Part no	Page No	No
S0642948	E050.03.05	330
S0642950	E050.03.09	150
S0642952	E050.03.09	190
S0642953	E050.03.06	010
S0642954	E050.03.06	020
S0642955	E050.03.06	030
S0642956	E050.03.06	040
S0642957	E050.03.06	050
S0642958	E050.03.06	060
S0642959	E050.03.06	070
S0642961	E050.03.06	070
S0642962	E050.03.06	070
S0642963	E050.03.06	070
S0642964	E050.03.06	070
S0642965	E050.03.06	070
S0642966	E050.03.07	120
S0642967	E050.03.06	070
S0642968	E050.03.06	070
S0642969	E050.03.06	070
S0642970	E050.03.06	080
S0642971	E050.03.06	080
S0642972	E050.03.06	080
S0642973	E050.03.06	080
S0642974	E050.03.06	080
S0642975	E050.03.06	080
S0642976	E050.03.06	080
S0642977	E050.03.06	080
S0642978	E050.03.06	080
S0642979	E050.03.06	080
S0642980	E050.03.06	080
S0642981	E010.06.01	21
S0642981	E050.03.06	090
S0642982	E050.03.06	095
S0642983	E050.03.06	110
S0642984	E050.03.06	250
S0642985	E050.03.06	260
S0642986	E050.03.07	020
S0642987	E050.03.07	030
S0642988	E050.03.07	040
S0642989	E050.03.07	060
S0642990	E050.03.07	060/010
S0642991	E050.03.07	060/020
S0642992	E050.03.07	060/020
S0642993	E050.03.07	060/050
S0642994	E050.03.07	060/060
S0642995	E050.03.07	060/070
S0642996	E040.04.10	300
S0642996	E050.03.06	070
S0642998	E050.03.07	140
S0643011	E040.04.02	270
S0643012	E040.04.02	290
S0643037	E040.04.05	080
S0643038	E040.04.05	080
S0643039	E040.04.05	080
S0643040	E040.04.05	080
S0643041	E040.04.05	080
S0643042	E040.04.05	080
S0643043	E040.04.05	080
S0643044	E040.04.05	080
S0643045	E040.04.05	080
S0643046	E040.04.05	080
S0643047	E040.04.05	080

Parça No	Sayfa No	No
Part no	Page No	No
S0643048	E040.04.05	080
S0643049	E040.04.05	080
S0643050	E040.04.05	080
S0643050	E040.04.05	080
S0643051	E040.04.05	080
S0643053	E040.04.05	080
S0643054	E040.04.05	080
S0643055	E040.04.05	080
S0643056	E040.04.05	080
S0643057	E040.04.05	080
S0643058	E040.04.05	080
S0643059	E040.04.05	080
S0643060	E040.04.05	080
S0643061	E040.04.05	080
S0643062	E040.04.05	080
S0643063	E040.04.05	090
S0643065	E040.04.05	128
S0643070	E040.04.05	350
S0643086	E040.04.10	110
S0643128	E040.04.07	080/030
S0643129	E040.04.07	080/040
S0643140	E040.04.07	080/050
S0643493	E060.01.04	8
S0643493	E060.02.04	8
S0643494	Z020.04.17	1
S0643502	E050.03.07	150
S0643504	E040.04.10	280
S0643508	E040.04.10	280/030
S0643508	E040.04.10	285/030
S0643509	E040.04.10	280/040
S0643510	E040.04.10	280/050
S0643510	E040.04.10	285/050
S0643511	E040.04.10	280/010
S0643511	E040.04.10	285/010
S0643518	E040.04.10	285/040
S0643540	Z020.04.18	1
S0643541	Z020.04.19	1
S0643542	Z020.04.03	1
S0644039	E040.04.05	080
S0644040	E040.04.05	080
S0644041	E040.04.05	080
S0644042	E040.04.05	080
S0644043	E040.04.05	080
S0644044	E040.04.05	080
S0644045	E040.04.05	080
S0644046	E040.04.05	080
S0644047	E040.04.05	080
S0644048	E040.04.05	080
S0644049	E040.04.05	080
S0644050	E040.04.05	080
S0644051	E040.04.05	080
S0644052	E040.04.05	080
S0644053	E040.04.05	080
S0644054	E040.04.05	080
S0644055	E040.04.05	080
S0644056	E040.04.05	080
S0644057	E040.04.05	080
S0644058	E040.04.05	080
S0644060	E040.04.05	180
S0644100	E050.03.05	080
S0644101	E050.03.05	100
S0644140	E040.04.02	010

Parça No	Sayfa No	No
Part no	Page No	No
S0644141	E040.04.02	020
S0644142	E040.04.02	050
S0644143	E040.04.02	050
S0644144	E040.04.02	050
S0644145	E040.04.02	050
S0644146	E040.04.02	050
S0644147	E040.04.02	050
S0644148	E040.04.02	050
S0644149	E040.04.02	050
S0644150	E040.04.02	050
S0644151	E040.04.02	050
S0644152	E040.04.02	050
S0644153	E040.04.02	050
S0644154	E040.04.02	050
S0644155	E040.04.02	050
S0644156	E040.04.02	050
S0644157	E040.04.02	050
S0644158	E040.04.02	050
S0644159	E040.04.02	050
S0644160	E040.04.02	050
S0644161	E040.04.02	050
S0644162	E040.04.02	110
S0644163	E040.04.02	110
S0644164	E040.04.02	110
S0644165	E040.04.02	110
S0644166	E040.04.02	110
S0644167	E040.04.02	110
S0644168	E040.04.02	110
S0644169	E040.04.02	110
S0644170	E040.04.02	110
S0644171	E040.04.02	110
S0644172	E040.04.02	110
S0644173	E040.04.02	110
S0644174	E040.04.02	110
S0644175	E040.04.02	110
S0644176	E040.04.02	110
S0644177	E040.04.02	110
S0644178	E040.04.02	110
S0644179	E040.04.02	110
S0644180	E040.04.02	110
S0644181	E040.04.02	110
S0644182	E040.04.02	110
S0644183	E040.04.02	110
S0644184	E040.04.02	110
S0644185	E040.04.02	110
S0644186	E040.04.02	110
S0644187	E040.04.02	110
S0644188	E040.04.02	110
S0644189	E040.04.02	110
S0644190	E040.04.02	110
S0644191	E040.04.02	110
S0644192	E040.04.02	110
S0644193	E040.04.02	110
S0644194	E040.04.02	110
S0644195	E040.04.02	110
S0644196	E040.04.02	110
S0644197	E040.04.02	110
S0644198	E040.04.02	110
S0644199	E040.04.02	110
S0644200	E040.04.02	110
S0644201	E040.04.02	110
S0644202	E040.04.02	110

INDEX

Parça No	Sayfa No	No
Part no	Page No	No
S0644203	E040.04.02	110
S0644204	E040.04.02	110
S0644205	E040.04.02	110
S0644206	E040.04.02	110
S0644207	E040.04.02	110
S0644208	E040.04.02	110
S0644209	E040.04.02	110
S0644210	E040.04.02	110
S0644211	E040.04.02	150
S0644211	E040.04.10	070
S0644212	E040.04.02	190
S0644213	E040.04.04	570
S0644214	E040.04.04	580
S0644215	E040.04.04	580
S0644216	E040.04.04	600
S0644217	E040.04.04	640
S0644218	E040.04.04	670
S0644219	E040.04.04	680
S0644220	E040.04.04	720
S0644221	E040.04.04	730
S0644222	E040.04.04	800
S0644223	E040.04.04	860
S0644224	E040.04.04	870
S0644225	E040.04.05	100
S0644226	E040.04.05	120
S0644227	E040.04.05	140
S0644228	E040.04.05	240/010
S0644229	E040.04.05	250/020
S0644229	E040.04.07	180/020
S0644230	E040.04.05	250/010
S0644231	E040.04.05	250/020
S0644232	E040.04.05	340
S0644233	E040.04.06	400
S0644236	E040.04.08	010
S0644237	E040.04.08	010/010
S0644238	E040.04.08	010/020
S0644239	E040.04.08	010/030
S0644240	E040.04.08	010/040
S0644241	E040.04.08	010/050
S0644242	E040.04.08	010/060
S0644243	E040.04.08	020
S0644244	E040.04.09	010
S0644245	E040.04.09	020
S0644246	E040.04.09	420
S0644247	E040.04.09	420/010
S0644248	E040.04.09	420/020
S0644248	E040.04.09	550/020
S0644249	E040.04.09	420/040
S0644249	E040.04.09	550/040
S0644250	E040.04.09	550
S0644251	E040.04.09	550/010
S0644254	E040.04.10	010
S0644255	E040.04.10	020
S0644257	E040.04.10	130
S0644258	E040.04.10	130
S0644259	E040.04.10	130
S0644260	E040.04.10	130
S0644261	E040.04.10	130
S0644262	E040.04.10	130
S0644263	E040.04.10	130
S0644264	E040.04.10	130
S0644265	E040.04.10	130

Parça No	Sayfa No	No
Part no	Page No	No
S0644266	E040.04.10	130
S0644267	E040.04.10	130
S0644268	E040.04.10	130
S0644269	E040.04.10	130
S0644270	E040.04.10	150
S0644271	E040.04.10	170
S0644272	E040.04.10	200
S0644273	E040.04.10	270
S0644275	E040.04.10	280/020
S0644275	E040.04.10	285/020
S0644276	E040.04.10	280/060
S0644276	E040.04.10	285/060
S0644277	E040.04.10	285
S0644278	E040.04.10	350
S0644279	E040.04.10	470
S0646459	Z040.04.03	1
S0646460	Z040.04.03	4
S0646461	Z040.04.03	7
S0646462	Z040.04.03	3
S0646463	Z040.04.03	2
S0646464	Z060.04.05	3
S0691002	E040.04.10	450
S0990016	G010.01.01	2
S0990061	G010.01.01	1
S1441150	G020.00.01	1-9
S1441151	G020.00.01	1-10
S1441152	G020.00.01	1-13
S1441163	G020.00.01	1-12
S1441166	G020.00.01	1-15
S1441167	G020.00.01	1-21
S1441168	G020.00.01	1-24
S1441172	G020.00.01	2
S1441173	G020.00.01	1-8
S1441175	G020.00.01	1-29
S1441177	G020.00.01	2
S1441180	G020.00.01	1-23
S1441181	G020.00.01	1-4
S1441182	G020.00.01	1-11
S1441187	G020.00.01	1-3
S1441188	G020.00.01	1-2
S1441189	G020.00.01	1-17
S1441191	G020.00.01	4
S1441192	G020.00.01	2
S1441193	G020.00.01	2
S1441195	G020.00.01	6
S1441197	G020.00.01	7
S1442105	G020.00.01	1-22
S1442110	G020.00.01	1-19
S1442111	G020.00.01	9
S1442111	G020.00.01	1-16
S1442112	G020.00.01	10
S1442115	G020.00.01	1-18
S1442120	G020.00.01	1-20
S1442125	G020.00.01	3
S1442126	G020.00.01	2
S1442130	G020.00.01	1-14
S1442135	G020.00.01	1-5
S1442138	G020.00.01	1-6
S1442141	G020.00.01	1-28
S1442145	G020.00.01	1-7
S1442149	G020.00.01	1-27
S1442152	G020.00.01	1-25

Parça No	Sayfa No	No
Part no	Page No	No
S1442153	G020.00.01	1-26
S1442156	G020.00.01	1-1
S1822710	G060.00.01	13
S1822710	G070.00.01	13
S1822712	G060.00.01	27
S1822712	G070.00.01	27
S1822720	G060.00.01	29
S1822720	G070.00.01	29
S1822721	G060.00.01	22
S1822721	G070.00.01	22
S1822722	G060.00.01	15
S1822722	G070.00.01	15
S1822723	G060.00.01	14
S1822723	G070.00.01	14
S1822724	G060.00.01	12
S1822724	G070.00.01	12
S1822725	G060.00.01	5
S1822725	G070.00.01	5
S1822726	G060.00.01	6
S1822726	G070.00.01	6
S1822727	G060.00.01	9
S1822727	G070.00.01	9
S1822728	G060.00.01	11
S1822728	G070.00.01	11
S1822729	G060.00.01	21
S1822729	G070.00.01	21
S1822730	G060.00.01	20
S1822730	G070.00.01	20
S1822731	G060.00.01	19
S1822731	G070.00.01	19
S1822732	G060.00.01	18
S1822732	G070.00.01	18
S1822733	G060.00.01	17
S1822733	G070.00.01	17
S1822734	G060.00.01	16
S1822734	G070.00.01	16
S1822735	G060.00.01	23
S1822735	G070.00.01	23
S1822737	G060.00.01	7
S1822737	G070.00.01	7
S1822738	G060.00.01	31
S1822738	G070.00.01	31
S1822739	G060.00.01	8
S1822739	G070.00.01	8
S1822740	G060.00.01	10
S1822740	G070.00.01	10
S1822741	G060.00.01	26
S1822741	G070.00.01	26
S1822742	G060.00.01	30
S1822742	G070.00.01	30
S1822743	G060.00.01	25
S1822743	G070.00.01	25
S1822744	G060.00.01	28
S1822744	G070.00.01	28
S1822745	G060.00.01	24
S1822745	G070.00.01	24
S1822750	G060.00.01	2
S1822751	G070.00.01	2
S1822755	G060.00.01	34
S1822755	G070.00.01	34
S1822756	G060.00.01	35
S1822756	G070.00.01	35

INDEX

Parça No	Sayfa No	No
Part no	Page No	No
S1822757	G060.00.01	1
S1822757	G070.00.01	1
S1822758	G060.00.01	33
S1822758	G070.00.01	33
S1822790	G060.00.01	32
S1822790	G070.00.01	32
S1824060	G040.02.03	4
S1824060	G040.03.04	4
S1824060	G040.06.03	4
S1824060	G040.07.04	4
S1824070	G030.02.04	6
S1824070	G040.02.02	6
S1824070	G040.06.02	6
S1824080	G030.01.04	7
S1824080	G030.02.02	124
S1824080	G030.02.04	124
S1824080	G040.02.02	124
S1824080	G040.02.04	8
S1824080	G040.02.05	8
S1824080	G040.02.07	8
S1824080	G040.02.08	8
S1824080	G040.02.09	8
S1824080	G040.03.02	124
S1824080	G040.03.05	2
S1824080	G040.03.06	124
S1824080	G040.03.07	124
S1824080	G040.03.08	124
S1824080	G040.03.09	124
S1824080	G040.06.02	124
S1824080	G040.06.04	8
S1824080	G040.06.05	8
S1824080	G040.06.07	8
S1824080	G040.06.08	8
S1824080	G040.06.09	8
S1824080	G040.07.02	124
S1824080	G040.07.05	2
S1824080	G040.07.06	124
S1824080	G040.07.07	124
S1824080	G040.07.08	124
S1824080	G040.07.09	124
S1824085	G030.01.02	10
S1824085	G040.02.02	10
S1824085	G040.03.05	6
S1824085	G040.06.02	10
S1824085	G040.07.05	6
S1824102	G030.01.03	6
S1824102	G030.01.05	6
S1824102	G030.02.05	6
S1824102	G030.02.06	6
S1824103	G030.01.05	8
S1824103	G030.02.02	140
S1824103	G030.02.06	8
S1824104	G030.01.03	2
S1824104	G030.01.05	2
S1824104	G030.02.05	2
S1824104	G030.02.06	2
S1824107	G030.01.04	5
S1824107	G030.02.02	60
S1824108	G030.01.03	10
S1824108	G030.02.05	10
S1824109	G030.01.03	9
S1824109	G030.01.04	4

Parça No	Sayfa No	No
Part no	Page No	No
S1824109	G030.02.02	36
S1824109	G030.02.05	9
S1824109	G040.03.02	36
S1824109	G040.03.03	36
S1824109	G040.03.06	36
S1824109	G040.03.07	36
S1824109	G040.03.08	36
S1824109	G040.03.09	36
S1824109	G040.07.02	36
S1824109	G040.07.03	36
S1824109	G040.07.06	36
S1824109	G040.07.07	36
S1824109	G040.07.08	36
S1824109	G040.07.09	36
S1824110	G030.01.03	7
S1824110	G030.02.05	7
S1824111	G030.01.04	1
S1824111	G030.01.05	5
S1824111	G030.02.02	17
S1824111	G030.02.06	5
S1824111	G040.02.04	1
S1824111	G040.02.06	1
S1824111	G040.02.08	1
S1824111	G040.02.09	1
S1824111	G040.03.02	17
S1824111	G040.03.03	17
S1824111	G040.03.06	17
S1824111	G040.03.07	17
S1824111	G040.06.04	1
S1824111	G040.06.06	1
S1824111	G040.06.08	1
S1824111	G040.06.09	1
S1824111	G040.07.02	17
S1824111	G040.07.03	17
S1824111	G040.07.06	17
S1824111	G040.07.07	17
S1824112	G030.01.04	2
S1824112	G040.02.05	2
S1824112	G040.02.06	2
S1824112	G040.02.07	2
S1824112	G040.03.02	18
S1824112	G040.03.03	18
S1824112	G040.03.06	18
S1824112	G040.03.07	18
S1824112	G040.03.08	18
S1824112	G040.03.09	18
S1824112	G040.06.05	2
S1824112	G040.06.06	2
S1824112	G040.06.07	2
S1824112	G040.07.02	18
S1824112	G040.07.03	18
S1824112	G040.07.06	18
S1824112	G040.07.07	18
S1824112	G040.07.08	18
S1824112	G040.07.09	18
S1824113	G030.01.06	1
S1824113	G030.02.03	1
S1824114	G030.01.02	130
S1824114	G030.01.03	1
S1824114	G030.01.04	9
S1824114	G030.01.05	1
S1824114	G030.01.06	2

Parça No	Sayfa No	No
Part no	Page No	No
S1824114	G030.02.02	130
S1824114	G030.02.03	2
S1824114	G030.02.05	1
S1824114	G030.02.06	1
S1824114	G040.02.02	130
S1824114	G040.02.03	5
S1824114	G040.02.04	6
S1824114	G040.02.05	6
S1824114	G040.02.06	4
S1824114	G040.02.07	6
S1824114	G040.02.08	6
S1824114	G040.02.09	6
S1824114	G040.03.02	130
S1824114	G040.03.03	130
S1824114	G040.03.04	5
S1824114	G040.03.06	130
S1824114	G040.03.07	130
S1824114	G040.03.08	130
S1824114	G040.03.09	130
S1824114	G040.06.02	130
S1824114	G040.06.03	5
S1824114	G040.06.04	6
S1824114	G040.06.05	6
S1824114	G040.06.06	4
S1824114	G040.06.07	6
S1824114	G040.06.08	6
S1824114	G040.06.09	6
S1824114	G040.07.02	130
S1824114	G040.07.03	130
S1824114	G040.07.04	5
S1824114	G040.07.06	130
S1824114	G040.07.07	130
S1824114	G040.07.08	130
S1824114	G040.07.09	130
S1824115	G030.01.01	1
S1824115	G030.01.06	0
S1824115	G030.02.01	1
S1824115	G030.02.03	0
S1824116	G030.01.02	184
S1824119	G030.01.02	180
S1824121	G030.01.02	107
S1824122	G030.01.03	8
S1824122	G030.01.04	3
S1824122	G030.02.02	30
S1824122	G030.02.05	8
S1824122	G040.03.02	30
S1824122	G040.03.03	30
S1824122	G040.03.06	30
S1824122	G040.03.07	30
S1824122	G040.03.08	30
S1824122	G040.03.09	30
S1824122	G040.07.02	30
S1824122	G040.07.03	30
S1824122	G040.07.06	30
S1824122	G040.07.07	30
S1824122	G040.07.08	30
S1824122	G040.07.09	30
S1824123	G030.01.02	106
S1824124	G040.02.01	8
S1824124	G040.02.03	0
S1824124	G040.03.01	8
S1824124	G040.03.04	0

INDEX

Parça No	Sayfa No	No
Part no	Page No	No
S1824124	G040.06.01	8
S1824124	G040.06.03	0
S1824124	G040.07.01	8
S1824124	G040.07.04	0
S1824125	G030.01.04	6
S1824125	G030.02.02	114
S1824125	G040.02.04	4
S1824125	G040.02.05	4
S1824125	G040.02.07	4
S1824125	G040.02.08	4
S1824125	G040.02.09	4
S1824125	G040.03.02	114
S1824125	G040.03.06	114
S1824125	G040.03.07	114
S1824125	G040.03.08	114
S1824125	G040.03.09	114
S1824125	G040.06.04	4
S1824125	G040.06.05	4
S1824125	G040.06.07	4
S1824125	G040.06.08	4
S1824125	G040.06.09	4
S1824125	G040.07.02	114
S1824125	G040.07.06	114
S1824125	G040.07.07	114
S1824125	G040.07.08	114
S1824125	G040.07.09	114
S1824126	G040.03.09	17
S1824126	G040.07.09	17
S1824127	G030.01.03	4
S1824127	G030.01.05	4
S1824127	G030.02.02	18
S1824127	G030.02.04	18
S1824127	G030.02.05	4
S1824127	G030.02.06	4
S1824127	G040.02.04	2
S1824127	G040.02.08	2
S1824127	G040.02.09	2
S1824127	G040.06.04	2
S1824127	G040.06.08	2
S1824127	G040.06.09	2
S1824128	G030.01.03	5
S1824128	G030.02.05	5
S1824129	G030.01.03	11
S1824129	G030.02.02	155
S1824129	G030.02.05	11
S1824131	G040.02.05	1
S1824131	G040.02.07	1
S1824131	G040.03.08	98
S1824131	G040.06.05	1
S1824131	G040.06.07	1
S1824131	G040.07.08	98
S1824132	G030.01.04	10
S1824132	G040.02.04	7
S1824132	G040.02.06	5
S1824132	G040.02.07	7
S1824132	G040.02.08	7
S1824132	G040.02.09	7
S1824132	G040.03.02	140
S1824132	G040.03.03	140
S1824132	G040.06.04	7
S1824132	G040.06.06	5
S1824132	G040.06.07	7

Parça No	Sayfa No	No
Part no	Page No	No
S1824132	G040.06.08	7
S1824132	G040.06.09	7
S1824132	G040.07.02	140
S1824132	G040.07.03	140
S1824133	G030.01.04	11
S1824133	G040.03.02	155
S1824133	G040.03.03	155
S1824133	G040.03.06	155
S1824133	G040.03.07	155
S1824133	G040.03.08	155
S1824133	G040.03.09	155
S1824133	G040.07.02	155
S1824133	G040.07.03	155
S1824133	G040.07.06	155
S1824133	G040.07.07	155
S1824133	G040.07.08	155
S1824133	G040.07.09	155
S1824134	G030.02.04	137
S1824135	G030.01.01	5
S1824135	G030.01.05	0
S1824135	G030.02.01	5
S1824135	G030.02.06	0
S1824138	G030.02.04	189
S1824141	G030.01.01	2
S1824141	G030.01.02	0
S1824142	G030.01.01	4
S1824142	G030.01.04	0
S1824142	G030.02.01	4
S1824142	G030.02.02	0
S1824144	G040.02.01	1
S1824144	G040.02.02	0
S1824144	G040.06.01	1
S1824144	G040.06.02	0
S1824145	G040.02.01	2
S1824145	G040.02.04	0
S1824145	G040.06.01	2
S1824145	G040.06.04	0
S1824146	G040.02.01	3
S1824146	G040.02.05	0
S1824146	G040.06.01	3
S1824146	G040.06.05	0
S1824147	G040.02.01	4
S1824147	G040.02.06	0
S1824147	G040.06.01	4
S1824147	G040.06.06	0
S1824148	G040.02.01	5
S1824148	G040.02.07	0
S1824148	G040.06.01	5
S1824148	G040.06.07	0
S1824149	G040.02.01	6
S1824149	G040.02.08	0
S1824149	G040.06.01	6
S1824149	G040.06.08	0
S1824156	G040.03.01	4
S1824156	G040.03.03	0
S1824156	G040.07.01	4
S1824156	G040.07.03	0
S1824161	G040.02.02	3
S1824161	G040.06.02	3
S1824161	G040.07.05	1
S1824162	G040.02.01	7
S1824162	G040.02.09	0

Parça No	Sayfa No	No
Part no	Page No	No
S1824162	G040.06.01	7
S1824162	G040.06.09	0
S1824163	G030.02.01	2
S1824163	G030.02.04	0
S1824164	G030.01.01	3
S1824164	G030.01.03	0
S1824164	G030.02.01	3
S1824164	G030.02.05	0
S1824165	G040.03.02	40
S1824165	G040.03.03	40
S1824165	G040.03.06	40
S1824165	G040.03.07	40
S1824165	G040.03.08	40
S1824165	G040.03.09	40
S1824165	G040.07.02	40
S1824165	G040.07.03	40
S1824165	G040.07.06	40
S1824165	G040.07.07	40
S1824165	G040.07.08	40
S1824165	G040.07.09	40
S1824166	G030.01.03	3
S1824166	G030.01.04	8
S1824166	G030.01.05	3
S1824166	G030.02.02	129
S1824166	G030.02.05	3
S1824166	G030.02.06	3
S1824166	G040.02.04	5
S1824166	G040.02.05	5
S1824166	G040.02.07	5
S1824166	G040.02.08	5
S1824166	G040.02.09	5
S1824166	G040.03.02	129
S1824166	G040.03.06	129
S1824166	G040.03.07	129
S1824166	G040.03.08	129
S1824166	G040.03.09	129
S1824166	G040.06.04	5
S1824166	G040.06.05	5
S1824166	G040.06.07	5
S1824166	G040.06.08	5
S1824166	G040.06.09	5
S1824166	G040.07.02	129
S1824166	G040.07.06	129
S1824166	G040.07.07	129
S1824166	G040.07.08	129
S1824166	G040.07.09	129
S1824168	G040.03.01	1
S1824168	G040.03.05	0
S1824168	G040.07.01	1
S1824168	G040.07.05	0
S1824169	G040.03.01	2
S1824169	G040.03.06	0
S1824169	G040.07.01	2
S1824169	G040.07.06	0
S1824170	G040.03.01	6
S1824170	G040.03.07	0
S1824170	G040.07.01	6
S1824170	G040.07.07	0
S1824171	G040.03.01	7
S1824171	G040.03.02	0
S1824171	G040.07.01	7
S1824171	G040.07.02	0

INDEX

Parça No	Sayfa No	No
Part no	Page No	No
S1824172	G040.03.01	3
S1824172	G040.03.09	0
S1824172	G040.07.01	3
S1824172	G040.07.09	0
S1824173	G040.03.01	5
S1824173	G040.03.08	0
S1824173	G040.07.01	5
S1824173	G040.07.08	0
S1824174	G040.03.05	1
S1824175	G030.01.02	133
S1824175	G040.02.02	133
S1824175	G040.03.05	7
S1824175	G040.06.02	133
S1824175	G040.07.05	7
S1824176	G030.01.02	134
S1824176	G030.02.04	134
S1824176	G040.02.02	134
S1824176	G040.03.05	8
S1824176	G040.06.02	134
S1824176	G040.07.05	8
S1824177	G040.02.02	209
S1824177	G040.03.05	5
S1824177	G040.06.02	209
S1824177	G040.07.05	5
S1824178	G030.02.04	8
S1824178	G040.02.02	8
S1824178	G040.03.05	3
S1824178	G040.06.02	8
S1824178	G040.07.05	3
S1824179	G040.02.02	9
S1824179	G040.03.05	4
S1824179	G040.06.02	9
S1824179	G040.07.05	4
S1824180	G030.01.02	182
S1824181	G040.02.03	6
S1824181	G040.03.04	6
S1824181	G040.06.03	6
S1824181	G040.07.04	6
S1824183	G030.02.04	170
S1824183	G040.02.03	3
S1824183	G040.03.04	3
S1824183	G040.06.03	3
S1824183	G040.07.04	3
S1824184	G040.02.03	2
S1824184	G040.03.04	2
S1824184	G040.06.03	2
S1824184	G040.07.04	2
S1824186	G040.02.03	1
S1824186	G040.03.04	1
S1824186	G040.06.03	1
S1824186	G040.07.04	1
S1824188	G040.02.05	7
S1824188	G040.03.06	146
S1824188	G040.03.07	146
S1824188	G040.03.08	146
S1824188	G040.03.09	146
S1824188	G040.06.05	7
S1824188	G040.07.06	146
S1824188	G040.07.07	146
S1824188	G040.07.08	146
S1824188	G040.07.09	146
S1824189	G030.01.05	7

Parça No	Sayfa No	No
Part no	Page No	No
S1824189	G030.02.06	7
S1824189	G040.02.04	3
S1824189	G040.02.05	3
S1824189	G040.02.06	3
S1824189	G040.02.07	3
S1824189	G040.02.08	3
S1824189	G040.02.09	3
S1824189	G040.06.04	3
S1824189	G040.06.05	3
S1824189	G040.06.06	3
S1824189	G040.06.07	3
S1824189	G040.06.08	3
S1824189	G040.06.09	3
S1824196	G030.02.04	165
S1830131	G290.00.01	3
S1830132	G290.00.01	4
S1830133	G290.00.01	6
S1830134	G290.00.01	7
S1830135	G290.00.01	8
S1830136	G290.00.01	9
S1830137	G290.00.01	10
S1830138	G290.00.01	11
S1830139	G290.00.01	12
S1830140	G290.00.01	13
S1830141	G290.00.01	15
S1830142	G290.00.01	17
S1830175	G290.00.01	1
S1830176	G290.00.01	16
S1830178	G290.00.01	2
S1830179	G290.00.01	5
S1830182	G290.00.01	14
S1881102	G310.00.01	1
S1881103	G310.00.01	2
S1881104	G310.00.01	3
S1881106	G300.00.01	11
S1881107	G300.00.01	10
S1881124	G300.00.01	1
S1881124	G310.00.01	4
S1888112	G300.00.01	7
S1888115	G300.00.01	2
S1888116	G300.00.01	5
S1888117	G300.00.01	6
S1888118	G300.00.01	4
S1888119	G300.00.01	9
S1888120	G300.00.01	8
S1888121	G300.00.01	12
S1888122	G300.00.01	3
S2511010	A060.00.01	6
S2511020	A060.00.01	14
S2511030	A060.00.01	18
S2511040	A060.00.01	27
S2511050	A060.00.01	10
S2511060	A060.00.01	7
S2511070	A060.00.01	12
S2511080	A060.00.01	17
S2511091	A060.00.01	16
S2511100	A060.00.01	26
S2511120	A060.00.01	2
S2511130	A060.00.01	3
S2511130	A060.00.01	9
S2511140	A060.00.01	21
S2511150	A060.00.01	25

Parça No	Sayfa No	No
Part no	Page No	No
S2511160	A060.00.01	22
S2511170	A060.00.01	28
S2511180	A060.00.01	8
S2511190	A060.00.01	24
S2511200	A060.00.01	15
S2511210	A060.00.01	23
S2511220	A060.00.01	4
S2511220	A060.00.01	11
S2511220	A060.00.01	19
S2511220	A060.00.01	29
S2700001	D150.06.01	11
S3300610	C040.00.01	14
S3300615	C040.00.01	3
S3300620	C040.00.01	19
S3300625	C040.00.01	10
S3300630	C040.00.01	12
S3300635	C040.00.01	15
S3300640	C040.00.01	4
S3300645	C040.00.01	16
S3300650	C040.00.01	7
S3300655	C040.00.01	13
S3300660	C040.00.01	17
S3300665	C040.00.01	18
S4501010	D150.06.02	2
S4501015	D150.06.02	7
S4501020	D150.06.02	8
S4501025	D150.06.02	9
S4501025	D150.06.02	23
S4501030	D150.06.02	10
S4501030	D150.06.02	24
S4501035	D150.06.02	11
S4501035	D150.06.02	25
S4501040	D150.06.02	12
S4501045	D150.06.02	13
S4501050	D150.06.02	14
S4501060	D150.06.02	16
S4501065	D150.06.02	17
S4501070	D150.06.02	18
S4501075	D150.06.02	19
S4501080	D150.06.02	20
S4501085	D150.06.02	21
S4501090	D150.06.02	22
S4501095	D150.06.02	27
S4501100	D150.06.02	28
S4501105	D150.06.02	29
S4501110	D150.06.02	30
S4501115	D150.06.02	31
S4501120	D150.06.02	33
S4501125	D150.06.02	34
S4501130	D150.06.02	35
S4501130	D150.06.02	73
S4501135	D150.06.02	36
S4501140	D150.06.02	37
S4501145	D150.06.02	39
S4501150	D150.06.02	40
S4501150	D150.06.02	58
S4501155	D150.06.02	41
S4501160	D150.06.02	42
S4501165	D150.06.02	43
S4501165	D150.06.02	55
S4501170	D150.06.02	44
S4501175	D150.06.02	45

INDEX

Parça No	Sayfa No	No
Part no	Page No	No
S4501185	D150.06.02	47
S4501185	D150.06.02	66
S4501190	D150.06.02	48
S4501195	D150.06.02	49
S4501200	D150.06.02	50
S4501200	D150.06.02	76
S4501205	D150.06.02	51
S4501210	D150.06.02	52
S4501215	D150.06.02	53
S4501220	D150.06.02	54
S4501225	D150.06.02	56
S4501230	D150.06.02	57
S4501235	D150.06.02	59
S4501240	D150.06.02	60
S4501245	D150.06.02	61
S4501250	D150.06.02	62
S4501255	D150.06.02	63
S4501260	D150.06.02	64
S4501270	D150.06.02	65
S4501270	D150.06.02	72
S4501275	D150.06.02	67
S4501280	D150.06.02	68
S4501285	D150.06.02	69
S4501290	D150.06.02	74
S4501295	D150.06.02	75
S4501335	D150.06.02	78
S4501340	D150.06.02	46
S4501345	D150.06.02	79
S4501350	D150.06.02	77
S4502900	D150.07.02	34
S4502922	D150.07.02	6
S4502924	D150.07.02	15
S4502926	D150.07.02	21
S4502928	D150.07.02	57
S4502930	D150.07.02	61
S4502932	D150.07.02	53
S4502934	D150.07.02	74
S4502936	D150.07.02	76
S4502938	D150.07.02	42
S4502938	D150.07.02	52
S4502940	D150.07.02	43
S4502942	D150.07.02	56
S4502944	D150.07.02	60
S4502946	D150.07.02	91B
S4502946	D150.07.02	92B
S4502948	D150.07.02	58
S4502950	D150.07.02	62
S4502952	D150.07.02	54
S4502954	D150.07.02	75
S4502956	D150.07.02	77
S4502958	D150.07.02	47
S4502960	D150.07.02	36
S4502962	D150.07.02	37
S4502964	D150.07.02	46
S4502968	D150.07.02	38
S4502970	D150.07.02	81
S4502970	D150.07.02	83
S4502972	D150.07.02	82
S4502974	D150.07.02	80
S4502976	D150.07.02	67
S4502978	D150.07.02	16
S4502980	D150.07.02	5

Parça No	Sayfa No	No
Part no	Page No	No
S4502980	D150.07.02	9
S4502982	D150.07.02	4
S4502984	D150.07.02	29
S4502986	D150.07.02	66
S4502988	D150.07.02	23
S4502990	D150.07.02	30
S4502992	D150.07.02	17
S4502994	D150.07.02	20
S4502996	D150.07.02	19
S4502998	D150.07.02	1
S4503000	D150.07.02	2
S4503002	D150.07.02	8
S4503004	D150.07.02	12
S4503006	D150.07.02	13
S4503007	D150.07.02	14
S4503010	D150.07.02	24
S4503012	D150.07.02	25
S4503020	D150.07.02	35
S4503022	D150.07.02	71
S4503024	D150.07.02	72
S4503026	D150.07.02	91A
S4503028	D150.07.02	92A
S4503030	D150.07.02	59
S4503032	D150.07.02	55
S4503034	D150.07.02	90
S4503036	D150.07.02	65
S4503038	D150.07.02	70
S4503040	D150.07.02	73
S4510015	D150.06.02	K1
S4510020	D150.06.02	K2
S4510030	D150.06.02	K3
S4514000	D150.08.02	20
S4514010	D150.08.02	16
S4514015	D150.08.02	43
S4514020	D150.08.02	61
S4514020	D150.09.02	58
S4514025	D150.08.02	59
S4514030	D150.08.02	58
S4514034	D150.09.02	27
S4514040	D150.08.02	10
S4514040	D150.08.02	22
S4514040	D150.09.02	21
S4514040	D150.09.02	31
S4514045	D150.08.02	27
S4514050	D150.08.02	53
S4514055	D150.08.02	37
S4514060	D150.08.02	54
S4514065	D150.08.01	9
S4514065	D150.09.01	10
S4514066	D150.09.02	26
S4514070	D150.08.02	47
S4514075	D150.08.02	25
S4514080	D150.08.02	9
S4514080	D150.08.02	23
S4514080	D150.09.02	20
S4514080	D150.09.02	30
S4514081	D150.09.02	24
S4514085	D150.08.02	51
S4514090	D150.08.02	14
S4514091	D150.09.02	37
S4514100	D150.08.02	36
S4514105	D150.08.02	40

Parça No	Sayfa No	No
Part no	Page No	No
S4514110	D150.08.02	3
S4514110	D150.09.02	7
S4514113	D150.09.02	50
S4514115	D150.08.02	62
S4514116	D150.09.02	22
S4514117	D150.01.02	27
S4514119	D150.09.02	43
S4514120	D150.08.02	56
S4514125	D150.08.02	52
S4514125	D150.09.02	55
S4514127	D150.09.02	47
S4514129	D150.09.02	36
S4514130	D150.08.02	45
S4514134	D150.09.02	42
S4514135	D150.08.02	33
S4514138	D150.09.01	9
S4514140	D150.08.02	42
S4514141	D150.09.02	61
S4514145	D150.08.02	44
S4514150	D150.08.02	11
S4514151	D150.09.02	38
S4514155	D150.08.02	39
S4514156	D150.09.02	11
S4514160	D150.08.02	49
S4514165	D150.08.02	57
S4514167	D150.09.02	34
S4514169	D150.09.02	33
S4514170	D150.08.02	60
S4514172	D150.01.02	13
S4514172	D150.09.02	35
S4514174	D150.09.02	39
S4514175	D150.08.02	48
S4514176	D150.09.02	41
S4514178	D150.09.02	44
S4514180	D150.08.02	13
S4514181	D150.09.02	45
S4514185	D150.08.02	8
S4514186	D150.09.02	48
S4514189	D150.09.02	49
S4514193	D150.09.02	56
S4514194	D150.09.02	57
S4514195	D150.08.02	31
S4514196	D150.09.02	59
S4514197	D150.09.02	60
S4514198	D150.09.02	63
S4514199	D150.09.02	10
S4514200	D150.08.02	30
S4514201	D150.09.02	46
S4514205	D150.08.02	21
S4514206	D150.09.01	9
S4514207	D150.09.01	9
S4514210	D150.08.02	29
S4514215	D150.08.02	46
S4514220	D150.08.02	26
S4514221	D150.09.02	25
S4514225	D150.08.02	28
S4514230	D150.08.02	32
S4514231	D150.09.02	23
S4514235	D150.08.02	41
S4514238	D150.08.01	10
S4514238	D150.09.01	11
S4514240	D150.08.02	34

INDEX

Parça No	Sayfa No	No
Part no	Page No	No
S4514245	D150.08.02	7
S4514248	D150.09.02	8
S4514249	D150.09.02	4
S4514250	D150.08.02	55
S4514251	D150.09.02	6
S4514253	D150.09.02	1
S4514255	D150.08.02	4
S4514259	D150.09.02	5
S4514260	D150.08.02	5
S4514260	D150.09.02	9
S4514265	D150.08.02	50
S4514270	D150.08.02	12
S4514271	D150.09.02	51
S4514275	D150.08.02	24
S4514280	D150.08.02	17
S4514281	D150.09.02	54
S4514284	D150.09.02	62
S4514285	D150.08.02	19
S4514287	D150.09.02	32
S4514287	D150.09.02	40
S4514289	D150.09.02	28
S4514290	D150.08.02	15
S4514295	D150.08.02	6
S4514296	D150.09.02	29
S4514297	D150.09.02	2
S4514300	D150.08.02	38
S4514301	D150.09.02	12
S4514305	D150.08.02	35
S4514307	D150.09.02	52
S4514310	D150.08.02	2
S4514312	D150.01.02	33
S4514313	D150.01.02	25
S4514314	D150.09.02	K1
S4514316	D150.01.02	22
S4514317	D150.01.02	12
S4514318	D150.01.02	8
S4514319	D150.01.02	30
S4514320	D150.01.02	26
S4514321	D150.09.02	3
S4514322	D150.01.02	24
S4514323	D150.01.02	19
S4514326	D150.01.02	16
S4514327	D150.01.02	21
S4514328	D150.01.02	34
S4514331	D150.01.02	5
S4514332	D150.01.02	1
S4514333	D150.01.02	2
S4514342	D150.01.02	23
S4514344	D150.01.02	20
S4514346	D150.01.02	18
S4514354	D150.01.02	14
S4514356	D150.01.02	28
S4514358	D150.01.02	11
S4514410	D150.00.02	38
S4514410	D150.01.02	35
S4514418	D150.00.02	29
S4514420	D150.00.02	15
S4514424	D150.00.02	36
S4514426	D150.00.02	32
S4514426	D150.01.02	29
S4514430	D150.00.02	11
S4514430	D150.01.02	9

Parça No	Sayfa No	No
Part no	Page No	No
S4514432	D150.00.02	12
S4514432	D150.01.02	10
S4514434	D150.00.02	10
S4514434	D150.01.02	7
S4514440	D150.00.02	14
S4514442	D150.00.02	9
S4514444	D150.00.02	33
S4514446	D150.00.02	28
S4514448	D150.00.02	25
S4514450	D150.00.02	23
S4514452	D150.00.02	22
S4514454	D150.00.02	21
S4514456	D150.00.02	20
S4514458	D150.00.02	19
S4514460	D150.00.02	17
S4514462	D150.00.02	37
S4514468	D150.00.02	2
S4514470	D150.00.02	4
S4514472	D150.00.02	27
S4514474	D150.00.02	26
S4514476	D150.00.02	18
S4514478	D150.00.02	16
S4514480	D150.00.02	30
S4514485	D150.00.02	7
S4514486	D150.00.02	13
S4514488	D150.00.02	31
S4514494	D150.00.02	24
S4514496	D150.00.02	8
S4514496	D150.01.02	36
S4514498	D150.00.02	8
S4514498	D150.01.02	36
S4514500	D150.00.02	8
S4514500	D150.01.02	36
S4514502	D150.00.02	8
S4514502	D150.01.02	36
S4514503	D150.00.02	6
S4514506	D150.00.02	1
S4514507	D150.00.02	3
S4514508	D150.00.02	5
S4514510	D150.00.02	34
S4514510	D150.01.02	31
S4514513	D150.01.02	4
S4514514	D150.01.02	6
S4514516	D150.01.02	3
S4514520	D150.00.02	39
S4514520	D150.01.02	37
S4514700	D150.08.02	1
S4514800	D150.08.02	63
S4514880	D150.09.02	53
S4514911	D150.04.02	21
S4514911	D150.05.02	36
S4514911	D150.10.02	45
S4514923	D150.10.02	30
S4514925	D150.10.02	48
S4514927	D150.04.02	36
S4514927	D150.05.02	34
S4514927	D150.10.02	41
S4514929	D150.04.02	39
S4514929	D150.05.02	20
S4514929	D150.10.02	26
S4514930	D150.10.02	34
S4514933	D150.05.02	41

Parça No	Sayfa No	No
Part no	Page No	No
S4514933	D150.10.02	21
S4514936	D150.04.02	18
S4514936	D150.05.02	19
S4514936	D150.10.02	25
S4514937	D150.05.02	42
S4514937	D150.10.02	22
S4514938	D150.05.02	46
S4514938	D150.10.02	17
S4514939	D150.04.02	19
S4514939	D150.05.02	22
S4514939	D150.10.02	28
S4514941	D150.05.02	9
S4514941	D150.10.02	9
S4514942	D150.10.02	35
S4514943	D150.05.02	3
S4514943	D150.10.02	3
S4514944	D150.05.02	26
S4514944	D150.10.02	33
S4514945	D150.05.02	4
S4514945	D150.10.02	4
S4514946	D150.10.02	100
S4514947	D150.05.02	2
S4514947	D150.10.02	2
S4514951	D150.10.02	7
S4514953	D150.10.02	31
S4514964	D150.10.02	8
S4514965	D150.10.02	20
S4514966	D150.10.02	19
S4514967	D150.04.02	13
S4514967	D150.05.02	38
S4514967	D150.10.02	49
S4514968	D150.10.02	1
S4514969	D150.05.02	5
S4514969	D150.10.02	5
S4514985	D150.10.02	40
S4514986	D150.10.02	6
S4514987	D150.10.02	11
S4514991	D150.10.02	32
S4514992	D150.05.02	24
S4514993	D150.05.02	45
S4514993	D150.10.02	16
S4514994	D150.10.02	15
S4514995	D150.10.02	18
S4514996	D150.10.02	10
S4514997	D150.10.02	12
S4514999	D150.10.02	14
S4515000	D150.10.02	43
S4515010	D150.05.02	43
S4515010	D150.10.02	23
S4515014	D150.10.02	47
S4515015	D150.04.02	32
S4515015	D150.10.02	37
S4515016	D150.05.02	21
S4515016	D150.10.02	27
S4515017	D150.04.02	22
S4515017	D150.05.02	35
S4515017	D150.10.02	44
S4515018	D150.04.02	20
S4515018	D150.05.02	23
S4515018	D150.05.02	31
S4515018	D150.10.02	29
S4515020	D150.04.02	31

INDEX

Parça No	Sayfa No	No
Part no	Page No	No
S4515020	D150.05.02	30
S4515020	D150.10.02	36
S4515025	D150.10.02	38
S4515026	D150.10.02	42
S4515027	D150.10.02	24
S4515028	D150.05.02	13
S4515028	D150.10.02	13
S4515030	D150.04.01	6
S4515035	D150.04.02	24
S4515035	D150.05.02	37
S4515035	D150.10.02	46
S4515040	D150.10.01	8
S4515041	D150.05.01	1
S4515041	D150.10.01	2
S4515042	D150.10.01	3
S4515043	D150.05.01	3
S4515043	D150.10.01	4
S4515044	D150.10.01	5
S4515045	D150.10.01	6
S4515046	D150.05.01	6
S4515046	D150.10.01	7
S4515047	D150.04.01	4
S4515049	D150.05.01	4
S4515072	D150.05.02	K3
S4515086	D150.04.02	29
S4515086	D150.05.02	28
S4515096	D150.04.02	28
S4515096	D150.05.02	27
S4515220	D150.05.01	5
S4515302	D150.01.02	17
S4515307	D150.04.02	26
S4515343	D150.01.02	15
S4515344	D150.04.01	5
S4515350	D150.04.02	1
S4515353	D150.01.02	32
S4515355	D150.04.02	9
S4515360	D150.04.02	10
S4515365	D150.04.02	43
S4515366	D150.04.02	42
S4515370	D150.04.02	45
S4515380	D150.04.02	14
S4515384	D150.04.02	K1
S4515385	D150.04.02	K2
S4515396	D150.04.01	1
S4515401	D150.04.02	8
S4515402	D150.04.02	2
S4515403	D150.04.02	3
S4515404	D150.04.02	44
S4515407	D150.04.02	6
S4515408	D150.04.02	7
S4515410	D150.05.02	7
S4515411	D150.05.02	8
S4515418	D150.04.02	33
S4515421	D150.04.02	4
S4515422	D150.04.02	5
S4515425	D150.04.02	11
S4515428	D150.04.02	12
S4515430	D150.04.02	34
S4515435	D150.04.02	34
S4515440	D150.04.02	34
S4515445	D150.04.02	34
S4515450	D150.04.02	26-1

Parça No	Sayfa No	No
Part no	Page No	No
S4515455	D150.04.02	25
S4515460	D150.04.02	27
S4515465	D150.04.02	23
S4515466	D150.04.02	17
S4515466	D150.05.02	18
S4515470	D150.04.02	15
S4515470	D150.04.02	46
S4515470	D150.05.02	17
S4515470	D150.05.02	48
S4515475	D150.04.02	40
S4515480	D150.04.02	16
S4515480	D150.04.02	38
S4515480	D150.05.02	40
S4515485	D150.04.02	K3
S4515490	D150.04.02	30
S4515492	D150.04.02	K4
S4515494	D150.04.01	2
S4515494	D150.05.01	2
S4515496	D150.04.01	3
S4515501	D150.04.02	41
S4515502	D150.04.02	35
S4515502	D150.05.02	33
S4515503	D150.00.02	35
S4515505	D150.04.02	37
S4515516	D150.05.02	12
S4515517	D150.05.02	14
S4515518	D150.05.02	6
S4515519	D150.05.02	44
S4515521	D150.05.02	29
S4515522	D150.05.02	1
S4515523	D150.05.02	10
S4515524	D150.05.02	11
S4515525	D150.05.02	39
S4515526	D150.05.02	K1
S4515529	D150.05.02	15
S4515541	D150.05.02	25
S4515545	D150.05.02	25-1
S4515551	D150.05.02	K2
S4515555	D150.05.02	16
S4515560	D150.05.02	K4
S4515565	D150.05.02	47
S4700263	C140.00.02	34
S4700268	C140.00.02	36
S4700275	C140.00.02	32
S4700286	C140.00.02	43
S4700287	C140.00.02	42
S4700288	C140.00.02	35
S4700289	C140.00.02	37
S4700290	C140.00.02	31
S4700291	C140.00.02	39
S4700295	C140.00.02	41
S4700297	C140.01.02	104
S4700298	C140.01.02	103
S4700301	C140.00.02	28
S4700302	C140.00.02	47
S4700325	C140.01.02	9
S4700327	C140.01.02	5
S4700329	C140.01.02	7
S4700330	C140.01.02	46
S4700332	C140.01.02	11
S4700334	C140.01.02	19
S4700336	C140.01.02	33

Parça No	Sayfa No	No
Part no	Page No	No
S4700338	C140.01.02	14
S4700340	C140.01.02	26
S4700342	C140.01.02	18
S4700344	C140.01.02	29
S4700345	C140.00.02	24
S4700346	C140.01.02	16
S4700348	C140.01.02	39
S4700350	C140.01.02	17
S4700352	C140.01.02	30
S4700354	C140.01.02	27
S4700356	C140.01.02	28
S4700358	C140.01.02	35
S4700360	C140.01.02	48
S4700362	C140.01.02	50
S4700364	C140.01.02	59
S4700366	C140.01.02	23
S4700368	C140.01.02	22
S4700370	C140.01.02	40
S4700372	C140.01.02	36
S4700374	C140.01.02	1
S4700376	C140.01.02	52
S4700378	C140.01.02	13
S4700380	C140.01.02	73
S4700381	C140.01.02	105
S4700382	C140.01.02	56
S4700384	C140.01.02	60
S4700385	C140.01.02	12
S4700387	C140.01.02	8
S4700390	C140.01.02	10
S4700392	C140.01.02	6
S4700395	C140.01.02	101
S4700397	C140.01.02	43
S4700399	C140.01.02	102
S4700401	C140.00.02	1
S4700402	C140.00.02	2
S4700403	C140.00.02	3
S4700404	C140.00.02	4
S4700405	C140.00.02	5
S4700406	C140.00.02	6
S4700407	C140.00.02	7
S4700409	C140.00.02	9
S4700410	C140.00.02	10
S4700411	C140.00.02	11
S4700412	C140.00.02	12
S4700413	C140.00.02	13
S4700414	C140.00.02	14
S4700415	C140.00.02	18
S4700416	C140.00.02	19
S4700417	C140.00.02	20
S4700419	C140.00.02	23
S4700420	C140.00.02	25
S4700421	C140.00.02	26
S4700422	C140.00.02	27
S4700423	C140.00.02	29
S4700424	C140.00.02	30
S4700425	C140.00.02	33
S4700426	C140.00.02	40
S4700427	C140.00.02	44
S4700428	C140.00.02	45
S4700500	C140.00.02	46
S4714190	D150.08.02	18
S4880300	G200.00.01	21

INDEX

Parça No	Sayfa No	No
Part no	Page No	No
S4880300	G220.00.03	10
S4880301	G280.00.01	12
S4880626	G270.00.02	18
S4880631	G270.00.01	18
S4880710	G120.00.01	11
S4880710	G130.00.01	21
S4880710	G140.00.01	21
S4880710	G190.00.01	11
S4880710	G230.00.01	10
S4880710	G240.00.01	12
S4880730	F100.01.01	4
S4880801	G220.00.01	10
S4880801	G220.00.02	10
S4880802	G250.00.01	7
S4880803	G210.00.01	17
S4880830	G100.00.01	10
S4880830	G110.00.01	10
S4880955	G080.00.01	10
S4880955	G180.00.01	11
S4880955	G180.01.01	11
S4881007	G130.01.01	20
S4881007	G140.01.01	20
S4881007	G170.00.01	11
S4881007	G265.02.01	11
S4881020	G150.00.01	27
S4881157	G265.01.01	11
S4881255	G160.00.01	19
S4890300	G200.00.01	1
S4890300	G220.00.03	1
S4890301	G280.00.01	14
S4890630	G270.00.02	17
S4890631	G270.00.01	17
S4890800	G220.00.01	1
S4890800	G220.00.02	1
S4890800	G250.00.01	2
S4891020	G150.00.01	1
S4891157	G265.01.01	15
S4891160	G160.00.01	9
S4891210	G120.00.01	21
S4891210	G190.00.01	19
S4891210	G230.00.01	20
S4891210	G240.00.01	20
S4891211	G130.00.01	22
S4891211	G140.00.01	22
S4891220	G100.00.01	20
S4891220	G110.00.01	20
S4891220	G210.00.01	10
S4891231	G180.00.01	20
S4891231	G180.01.01	20
S4891233	G080.00.01	20
S4891240	G130.01.01	11
S4891240	G140.01.01	11
S4891240	G170.00.01	1
S4891240	G265.02.01	25
S4901100	D160.00.01	41
S4901110	D160.00.01	50
S4901115	D160.00.01	44
S4901120	D160.00.01	57
S4901125	D160.00.01	48
S4901130	D160.00.01	45
S4901135	D160.00.01	47
S4901140	D160.00.01	51

Parça No	Sayfa No	No
Part no	Page No	No
S4901145	D160.00.01	56
S4901150	D160.00.01	49
S4901155	D160.00.01	59
S4901160	D160.00.01	55
S4901165	D160.00.01	46
S4901170	D160.00.01	52
S4901175	D160.00.01	53
S4901180	D160.00.01	54
S4901185	D160.00.01	42
S4901190	D160.00.01	43
S4901195	D160.00.01	58
S9100631	C030.01.01	12
S9100641	C020.01.01	12
S9100657	C030.01.01	14
S9100658	C020.01.01	14
S9100966	K010.02.07	4
S9170018	C020.01.01	42
S9170018	C030.01.01	42
Y0492800	A090.03.01	29
Y0600251	Y020.66.01	2
Y0611228	Y010.04.01	10
Y0611229	Y010.04.01	20
Y0611230	F030.06.01	33
Y0611230	F030.07.01	33
Y0611230	Y010.04.01	37
Y0611231	F030.06.01	43
Y0611231	F030.07.01	43
Y0611231	Y010.04.01	38
Y0611232	Y010.04.01	15
Y0611233	F065.01.01	13
Y0611234	F065.01.01	12
Y0611253	Y030.00.01	1
Y0611262	Y030.00.01	10
Y0611263	Y030.00.01	9
Y0611265	Y030.00.01	2
Y0611306	Y030.00.01	5
Y0611308	F020.09.01	43
Y0611308	Y010.04.01	25
Y0611311	Y030.00.01	3
Y0611312	Y030.00.01	4
Y0611313	Y010.04.01	1
Y0611321	Y010.04.01	36
Y0611322	Y010.04.01	17
Y0611326	Y010.04.01	31
Y0611331	Y030.00.01	7
Y0611334	A030.01.01	32
Y0611334	Y010.04.01	11
Y0611340	Y010.00.02	10
Y0611350	Y010.00.02	6
Y0611352	Y010.00.02	8
Y0611355	Y010.04.01	9
Y0611365	Y010.04.01	7
Y0611380	Y010.00.02	12
Y0611390	Y010.00.02	2
Y0611395	Y010.04.01	8
Y0611411	Y020.66.01	4
Y0611411	Y020.67.01	4
Y0611411	Y020.68.01	4
Y0611411	Y020.69.01	4
Y0611411	Y020.71.01	4
Y0611425	C060.01.01	8
Y0611425	Y010.04.01	12

Parça No	Sayfa No	No
Part no	Page No	No
Y0611430	Y010.04.01	24
Y0611450	Y010.00.02	7
Y0611455	Y010.00.02	5
Y0611460	Y010.00.02	1
Y0611465	Y010.00.02	13
Y0611471	Y010.00.02	14
Y0611482	Y010.00.02	9
Y0611484	Y010.00.02	4
Y0611486	Y010.00.02	3
Y0611490	Y020.66.01	12
Y0611490	Y020.67.01	12
Y0611541	Y010.04.01	3
Y0611551	Y010.04.01	23
Y0611675	Y010.04.01	22
Y0611676	Y010.04.01	2
Y0611685	Y010.04.01	21
Y0611686	Y010.04.01	18
Y0611687	Y010.04.01	14
Y0611692	Y010.04.01	35
Y0611694	Y010.04.01	34
Y0611699	Y010.04.01	33
Y0611703	Y010.04.01	32
Y0611704	Y010.04.01	5
Y0611705	Y020.66.01	15
Y0611718	Y010.04.01	5
Y0611719	Y010.04.01	5
Y0611741	Y010.04.01	26
Y0620110	Y010.04.01	6
Y0620200	Y020.66.01	5
Y0620221	Y020.66.01	9
Y0620271	Y010.04.01	27
Y0620495	Y010.04.01	4
Y0620500	Y020.66.01	7
Y0620510	Y020.66.01	14
Y0620520	Y020.67.01	13
Y0621014	Y020.66.01	3
Y0621040	Y020.66.01	6
Y0621552	Y030.00.01	8
Y0621823	Y020.66.01	8
Y0650006	Y020.71.01	3
Y0650023	Y020.70.01	8
Y0650032	Y020.67.01	8
Y0650038	Y020.72.01	8
Y0650050	Y020.67.01	5
Y0650056	Y020.67.01	9
Y0650058	Y020.71.01	9
Y0650060	Y020.67.01	7
Y0650070	Y020.72.01	5
Y0650071	Y020.72.01	13
Y0650072	Y020.72.01	14
Y0650073	Y020.72.01	9
Y0650074	Y020.72.01	12
Y0650083	Y020.67.01	2
Y0650087	Y020.72.01	3
Y0650088	Y020.72.01	6
Y0650090	Y010.00.02	11
Y0650095	Y020.72.01	7
Y0650110	Y020.67.01	6
Y0650111	Y020.68.01	6
Y0650112	Y020.70.01	7
Y0650113	Y020.69.01	6
Y0650116	D060.00.01	14

INDEX

Parça No	Sayfa No	No
Part no	Page No	No
Y0650117	Y020.71.01	6
Y0650127	Y030.00.01	8
Y0650163	Y020.67.01	3
Y0650175	Y020.68.01	13
Y0650176	Y020.71.01	13
Y0650177	Y020.69.01	14
Y0650178	Y020.70.01	13
Y0650181	Y020.71.01	2
Y0650226	Y020.68.01	8
Y0650240	Y020.68.01	5
Y0650245	Y020.68.01	2
Y0650251	Y020.68.01	9
Y0650254	Y020.68.01	12
Y0650260	Y020.68.01	7
Y0650280	Y020.68.01	3
Y0650296	Y020.72.01	15
Y0650402	Y020.70.01	3
Y0650432	Y020.70.01	4
Y0650433	Y020.70.01	6
Y0650437	Y020.71.01	7
Y0650440	Y020.70.01	1
Y0650491	Y020.70.01	9
Y0650493	Y020.70.01	12
Y0650515	Y020.70.01	2
Y0650515	Y020.72.01	4
Y0650519	Y020.72.01	2
Y0650540	Y020.69.01	5
Y0650542	Y020.71.01	5
Y0650545	Y020.69.01	10
Y0650551	Y020.69.01	9
Y0650553	Y020.69.01	2
Y0650560	Y020.69.01	7
Y0650577	Y020.69.01	8
Y0650582	Y020.71.01	8
Y0650585	Y020.71.01	12
Y0650587	Y020.69.01	13
Y0650596	Y020.69.01	3
Y0690051	Y010.04.01	13
Y0690052	Y010.04.01	19
Y0801019	Y040.00.03	10
Y0801027	Y040.00.03	2
Y0801212	Y040.00.03	3
Y0801216	Y040.00.03	4
Y0801218	Y040.00.03	5
Y0801224	Y040.00.03	6
Y0801230	Y040.00.03	7
Y0801236	Y040.00.03	8
Y0801826	Y040.00.03	11
Y0801852	Y040.00.03	13
Y0816112	Y040.00.03	14
Y0816113	Y040.00.03	12
Y0820001	Y040.00.03	18
Y0899120	Y040.00.03	9
Y1200312	Y040.00.03	1
Y1203480	Y040.00.03	15
Y1203482	Y040.00.03	16