

A

**ATAŞMANLAR
ATTACHMENTS**

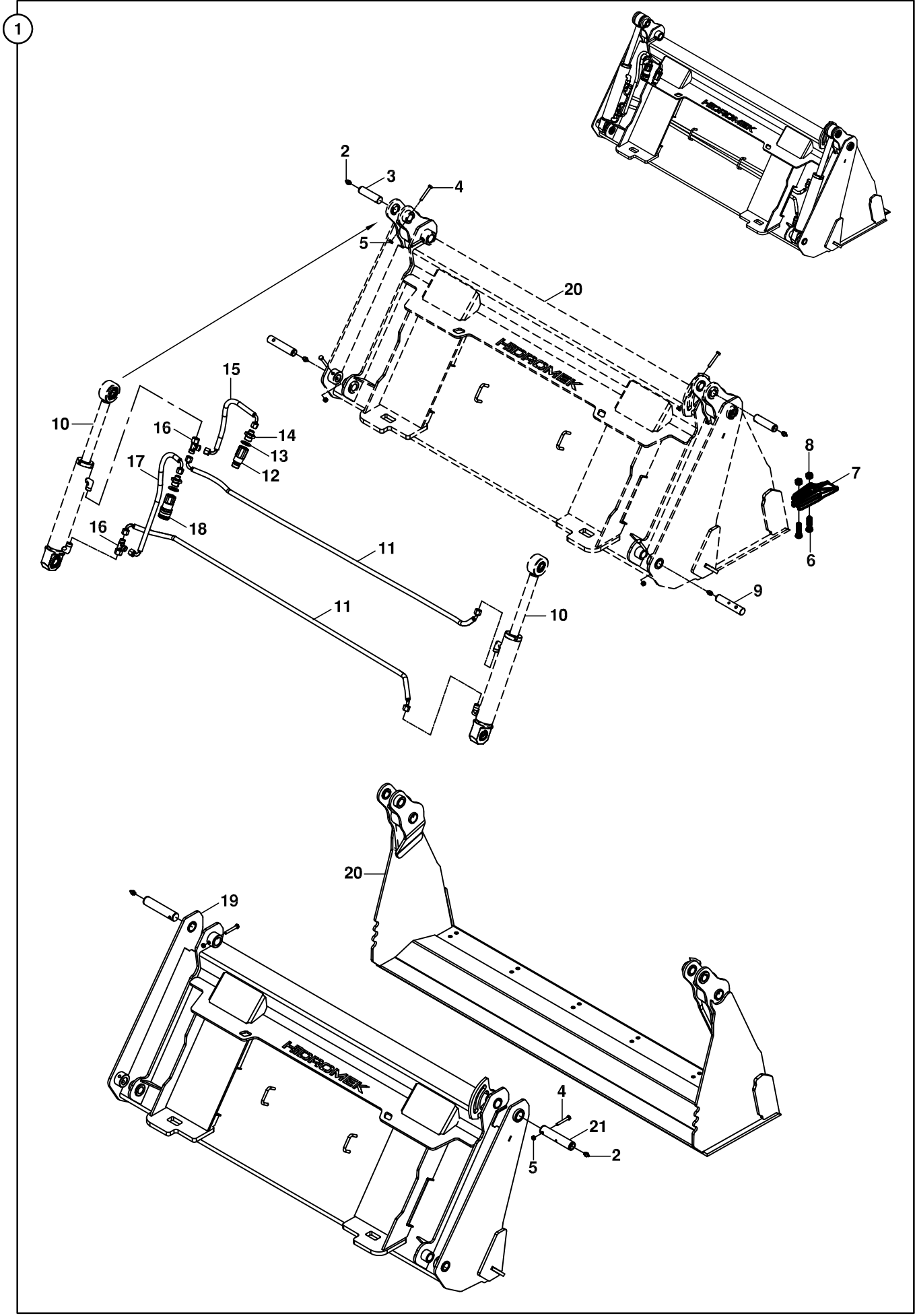
A1

**YÜKLEYİCİ ATAŞMANLAR
LOADER ATTACHMENTS**

A2

**KAZICI ATAŞMANLAR
BACKHOE ATTACHMENTS**

KEPÇE, AÇILIR
SHOVEL, CLAM

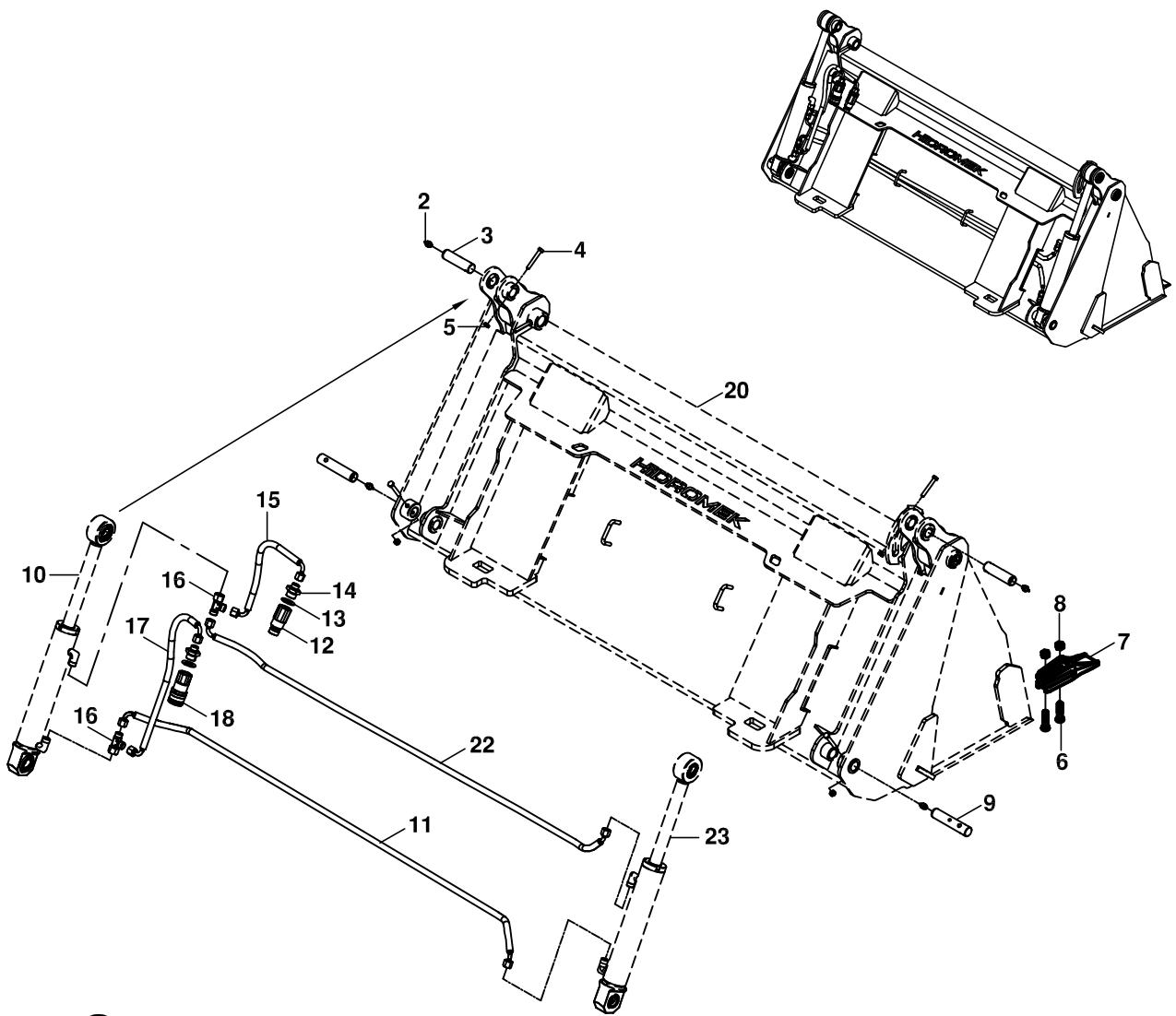


**KEPÇE, AÇILIR
SHOVEL, CLAM**

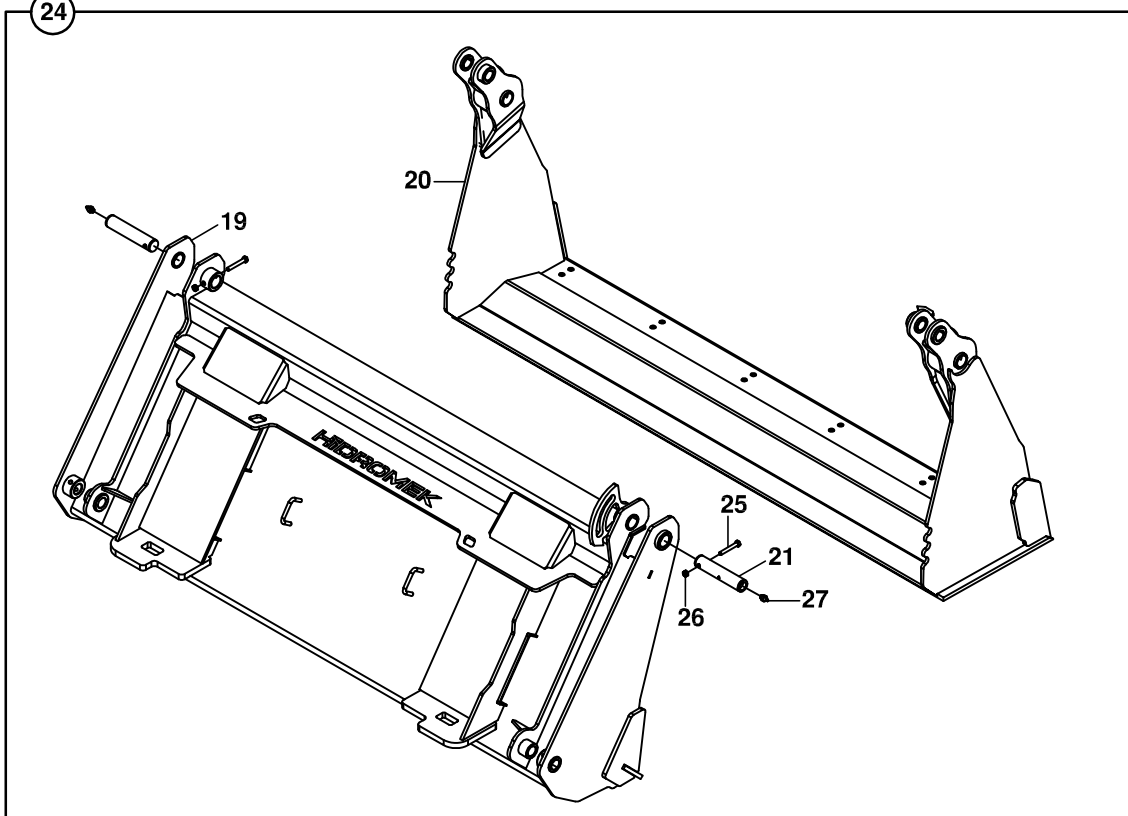
NO NO	PARÇA NO PART NO	TANIM	DESCRIPTION	ADET QTY	S.K. S.C.	SERİ NO SERIAL NO	D.T. ICA	NOT NOTE
1	M111100000	AÇILIR KEPÇE KOMPLE	SHOVEL, CLAM, ASSY.	1				
2	N08/1210020	GRESÖRLÜK	GREASSE NIPPLE	6				
3	801/04310	PİM	PIN	2				
4	N01/0380434	ÇİVATA M8x55	BOLT M8X55	6				
5	N02/5900062	SOMUN M8	NUT M8	6				
6	N01/0232882	ÇİVATA M12x45	BOLT M12x45	12				
7	M111104100	TIRNAK	TOOTH	6				
8	N02/8320300	SOMUN	NUT	12				
9	801/04305	PİM	PIN	2				
10		SİLİNDİR	RAM	2				☞ E3-3-1
11	651/1128153	HORTUM	HOSE	2				
12	N16/9900091	ÇABUK SÖK TAK	QUICK COUPLER	1				
13	N03/0000015	O-RİNGLİ PUL	WASHER	2				
14	806/24820	NİPEL	ADAPTER	2				
15	651/1124042	HORTUM	HOSE	1				
16	N16/3790038	T- RAKOR	TEE	2				
17	651/1124050	HORTUM	HOSE	1				
18	N16/9900092	ÇABUK SÖK TAK	QUICK COUPLER	1				
19	M111100101	SABİT KANAT	BLADE, BACK	1				
20	M111100201	HAREKETLİ KANAT	JAW, CLAMSHOVEL	1				
21	801/04300	PİM	PIN	2				

KEPÇE, AÇILIR
SHOVEL, CLAM

1

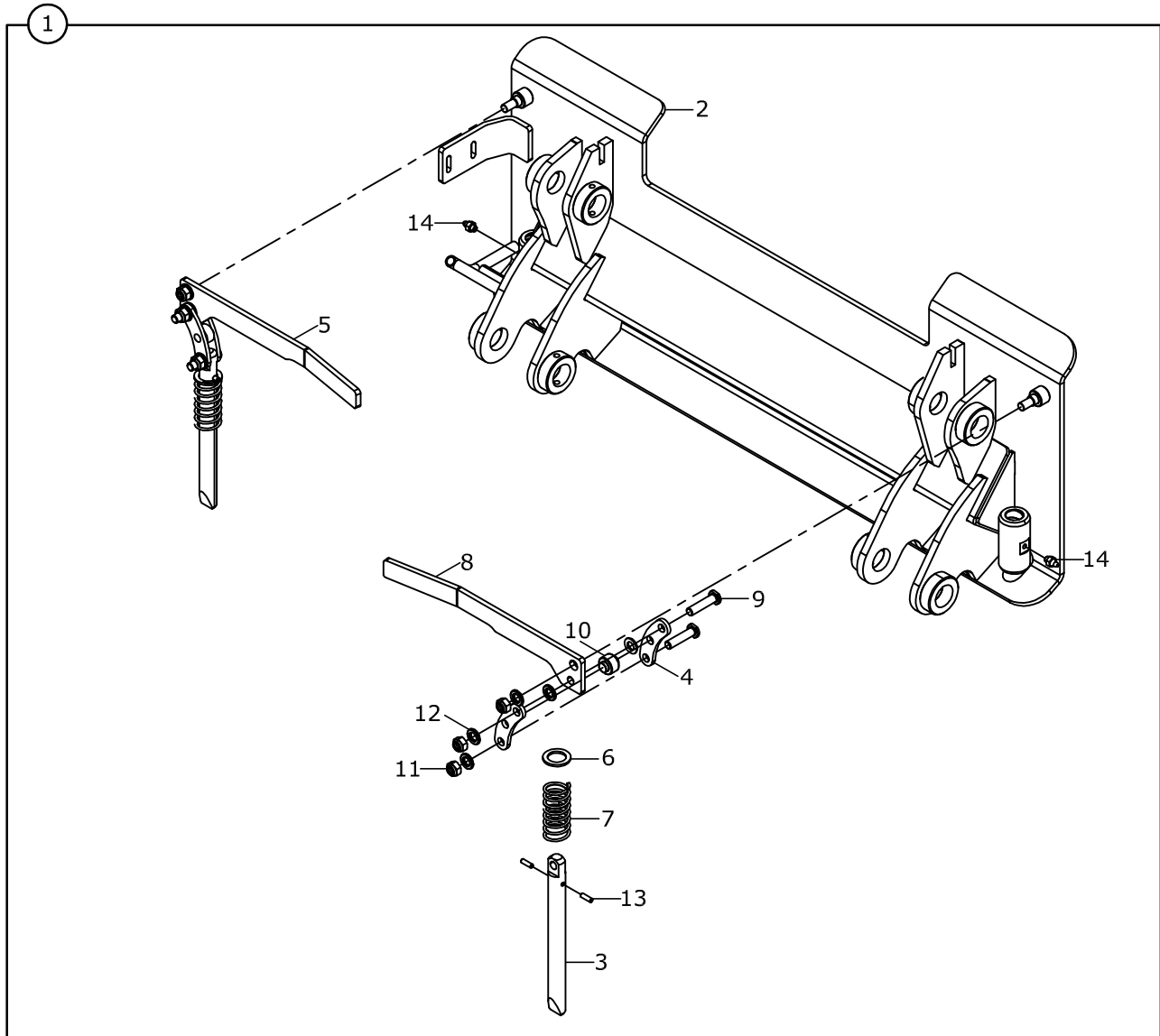
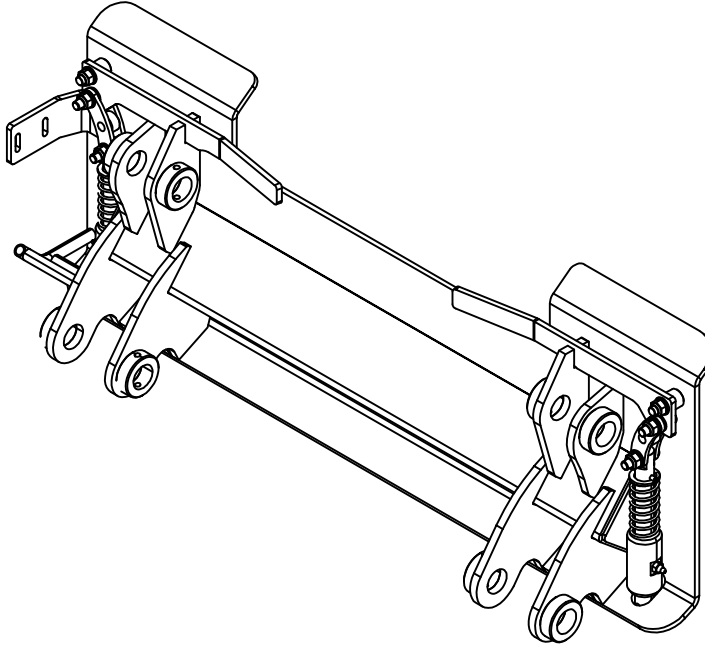


24



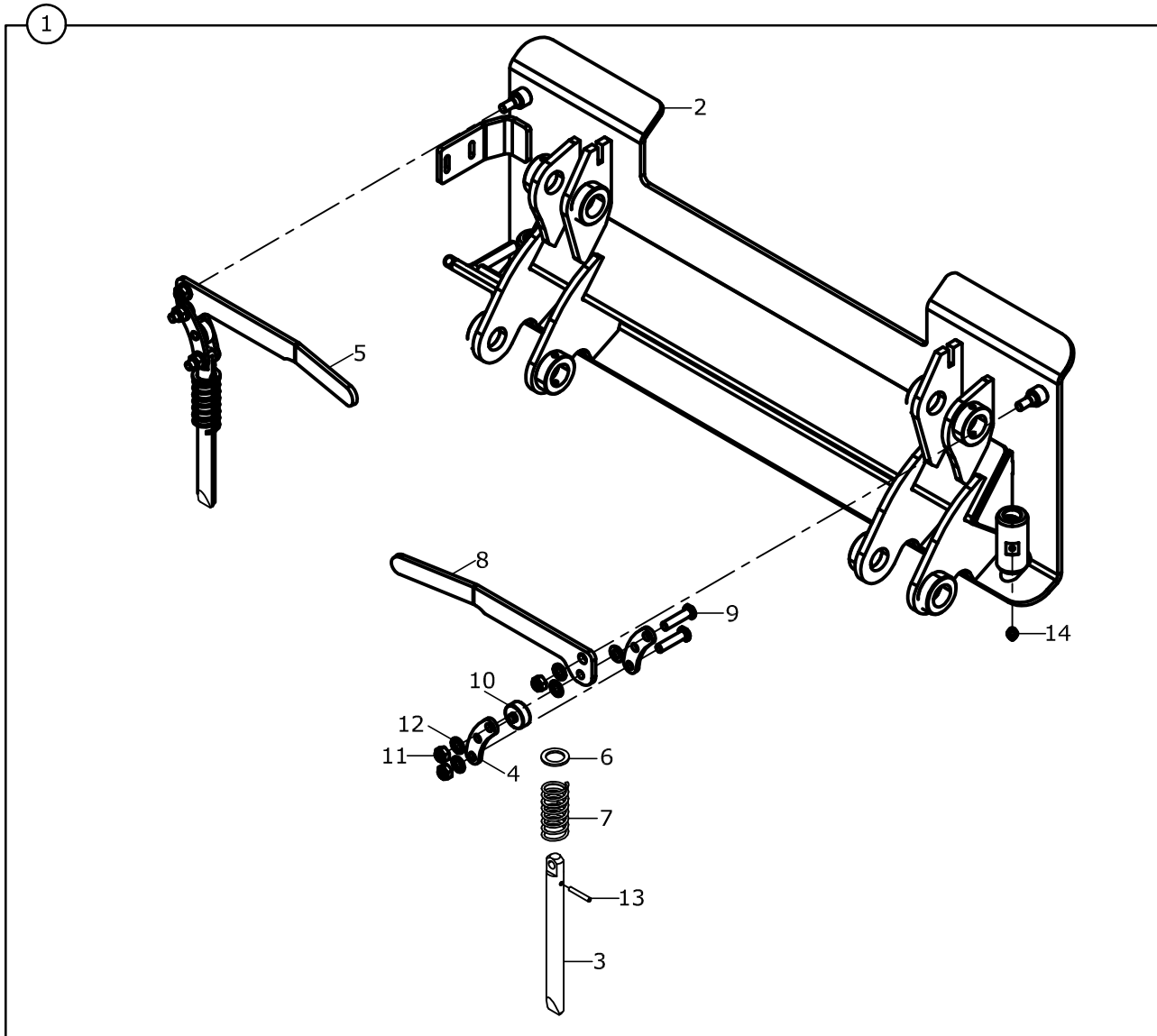
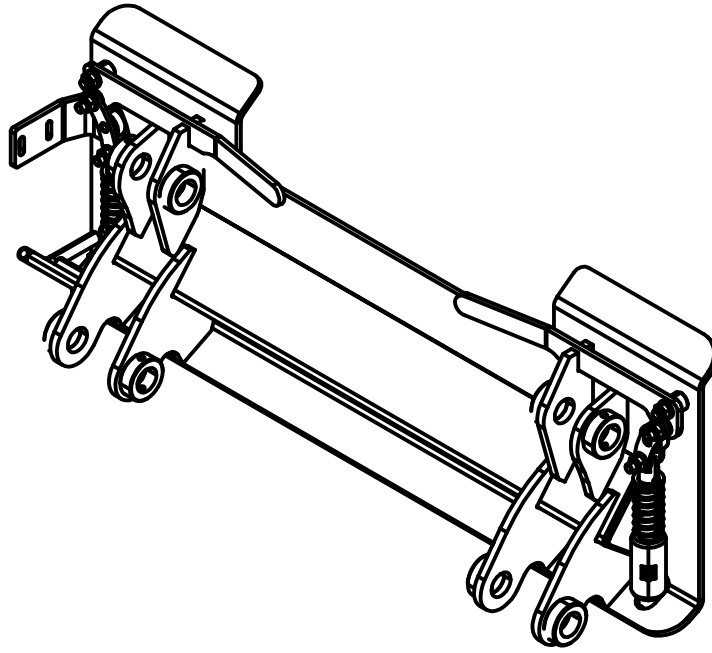
**KEPÇE, AÇILIR
SHOVEL, CLAM**

NO NO	PARÇA NO PART NO	TANIM	DESCRIPTION	ADET QTY	S.K. S.C.	SERİ NO SERIAL NO	D.T. ICA	NOT NOTE
1	M111100000	AÇILIR KEPÇE KOMPLE	SHOVEL, CLAM, ASSY.	1				
2	N08/1210020	GRESÖRLÜK	GREASSE NIPPLE	6				
3	801/04311	PİM	PIN	2				
4	N01/0380470	CİVATA M8x70	BOLT M8x70	4				
5	N02/5900062	SOMUN M8	NUT M8	4				
6	N01/0232882	CİVATA M12x45	BOLT M12x45	12				
7	M111104100	TIRNAK	TOOTH	6				
8	N02/8320192	SOMUN M12	NUT M12	12				
9	801/04306	PİM	PIN	2				
10		SİLİNDİR	RAM	2				☞ E3-3-1
11	651/1122145	HORTUM	HOSE	1				
12	N16/9900091	ÇABUK SÖK TAK	QUICK COUPLER	1				
13	N03/0000015	O-RİNGLİ PUL	WASHER	2				
14	806/24820	NİPEL	ADAPTER	2				
15	651/11P4040	HORTUM	HOSE	1				
16	N16/3790038	T- RAKOR	TEE	2				
17	651/11P4050	HORTUM	HOSE	1				
18	N16/9900092	ÇABUK SÖK TAK	QUICK COUPLER	1				
19	M11/1100102	SABİT KANAT	BLADE, BACK	1				
20	M11/1100202	HAREKETLİ KANAT	JAW, CLAMSHOVEL	1				
21	801/04301	PİM	PIN	2				
22	651/1128150	HORTUM	HOSE	1				
23		SİLİNDİR	RAM	2				☞ E3-3-2
24	M111104300	AÇILIR KEPÇE	SHOVEL, CLAM, ASSY.	1				
25	N01/0380470	CİVATA M8x70	BOLT M8x70	2				
26	N02/5900062	SOMUN M8	NUT M8	2				
27	N08/1210020	GRESÖRLÜK	GREASSE NIPPLE	2				

ÇABUK SÖK TAK
QUICK COUPLER

**ÇABUK SÖK TAK
QUICK COUPLER**

NO NO	PARÇA NO PART NO	TANIM	DESCRIPTION	ADET QTY	S.K. S.C.	SERİ NO SERIAL NO	D.T. ICA	NOT NOTE
	* M111300100							
1	M111302700	QUICK COUPLER KOMPLE	QUICK COUPLER ASSEMB.	1				
2	M111302800	QUICK COUPLER	QUICK COUPLER	1				
3	M111304400	KİLİT PİMİ	PIN, LOCKING	2				
4	M111304500	KİLİT KOLU	LOCKING, HANDLE	4				
5	M111304600	KOL, KİLİT AÇMA, SOL	ARM, LOCKING, LEFT	1				
6	M111304700	YAY SABİTLEME	WASHER	2				
7	M111304800	YAY	SPRING	2				
8	M111304900	KOL, KİLİT AÇMA, SAĞ	ARM, LOCKING, RIGHT	1				
9	M111305600	MENTEŞE PİMİ	PIN	4				
10	M111305700	PİM	PIN	2				
11	N02//5900122	SOMUN M12	NUT M12	6				
12	N03/0810001	SERT PUL M12	WASHER M12	10				
13	N04/3120650	VİDA M6x20	SCREW M6x20	4				
14	N08/1210020	GRESÖRLÜK	GREASE NIPPLE	2				

ÇABUK SÖK TAK
QUICK COUPLER

ÇABUK SÖK TAK
QUICK COUPLER

NO NO	PARÇA NO PART NO	TANIM	DESCRIPTION	ADET QTY	S.K. S.C.	SERİ NO SERIAL NO	D.T. ICA	NOT NOTE
	* M111300100							
1	M111302700	QUICK COUPLER KOMPLE	QUICK COUPLER ASSEMB.	1				
2	M111302800	QUICK COUPLER	QUICK COUPLER	1				
3	M111304400	KİLİT PİMİ	PIN, LOCKING	2				
	M111304401	KİLİT PİMİ	PIN, LOCKING	2			Y	
4	M111304500	KİLİT KOLU	LOCKING, HANDLE	4				
	M111304501	KİLİT KOLU	LOCKING, HANDLE	4			Y	
5	M111304600	KOL, KİLİT AÇMA, SOL	ARM, LOCKING, LEFT	1				
	M111304601	KOL, KİLİT AÇMA, SOL	ARM, LOCKING, LEFT	1			Y	
6	M111304700	YAY SABİTLEME	WASHER	2				
7	M111304800	YAY	SPRING	2				
8	M111304900	KOL, KİLİT AÇMA, SAĞ	ARM, LOCKING, RIGHT	1				
	M111304901	KOL, KİLİT AÇMA, SAĞ	ARM, LOCKING, RIGHT	1			Y	
9	M111305600	MENTEŞE PİMİ	PIN	4				
10	M111305700	PİM	PIN	2				
	M111305701	PİM	PIN	2			Y	
11	N02//5900122	SOMUN M12	NUT M12	6				
12	N03/0810001	SERT PUL M12	WASHER M12	10				
13	N15/6451628	SIKMA KOVANI	PIN EXPANSION	2			Y	
14	N08/1210020	GRESÖRLÜK	GREASE NIPPLE	2				

A

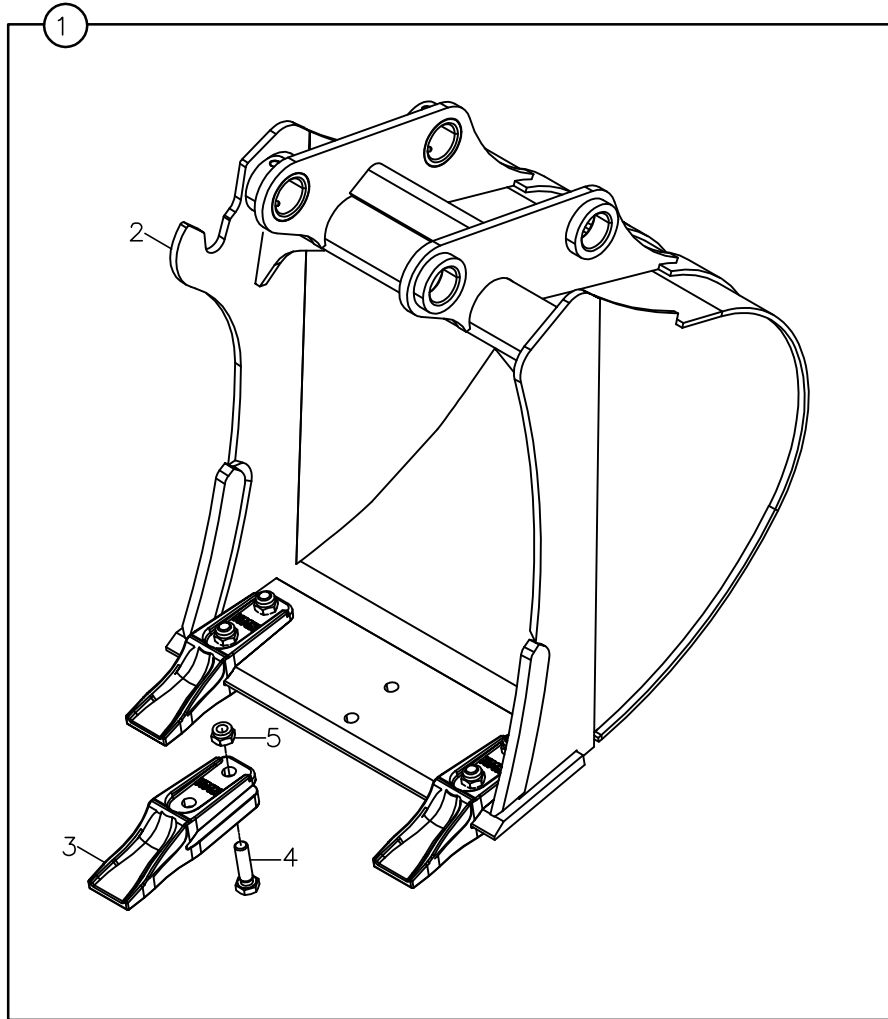
**ATAŞMANLAR
ATTACHMENTS**

A1

**YÜKLEYİCİ ATAŞMANLAR
LOADER ATTACHMENTS**

A2

**KAZICI ATAŞMANLAR
BACKHOE ATTACHMENTS**

KEPÇE, KAZICI
BUCKET, BACKHOE

KEPÇE, KAZICI
BUCKET, BACKHOE

NO NO	PARÇA NO PART NO	TANIM	DESCRIPTION	ADET QTY	S.K. S.C.	SERİ NO SERIAL NO	D.T. ICA	NOT NOTE
1A	M115300300	KEPÇE (420mm), KOMPLE	BUCKET (420mm), ASSY	1				
1B	M115300100	KEPÇE (320mm), KOMPLE	BUCKET (320mm), ASSY	1	OP			
2A	M115300400	KEPÇE (420mm)	BUCKET (420mm)	1				
2B	M115300200	KEPÇE (320mm)	BUCKET (320mm)	1	OP			
3	M111104100	TIRNAK	TOOHT, FOR	3				
4	N01/0232882	CİVATA M12x45	BOLT M12x45	6				
5	N02/8320192	SOMUN M12	NUT M12	6				

B

**GÖVDE
BODY PARTS**

B1

**GÖVDE MONTAJLARI
BODY PARTS MOUNTINGS**

B2

**KABİN
OPERATOR CAB**

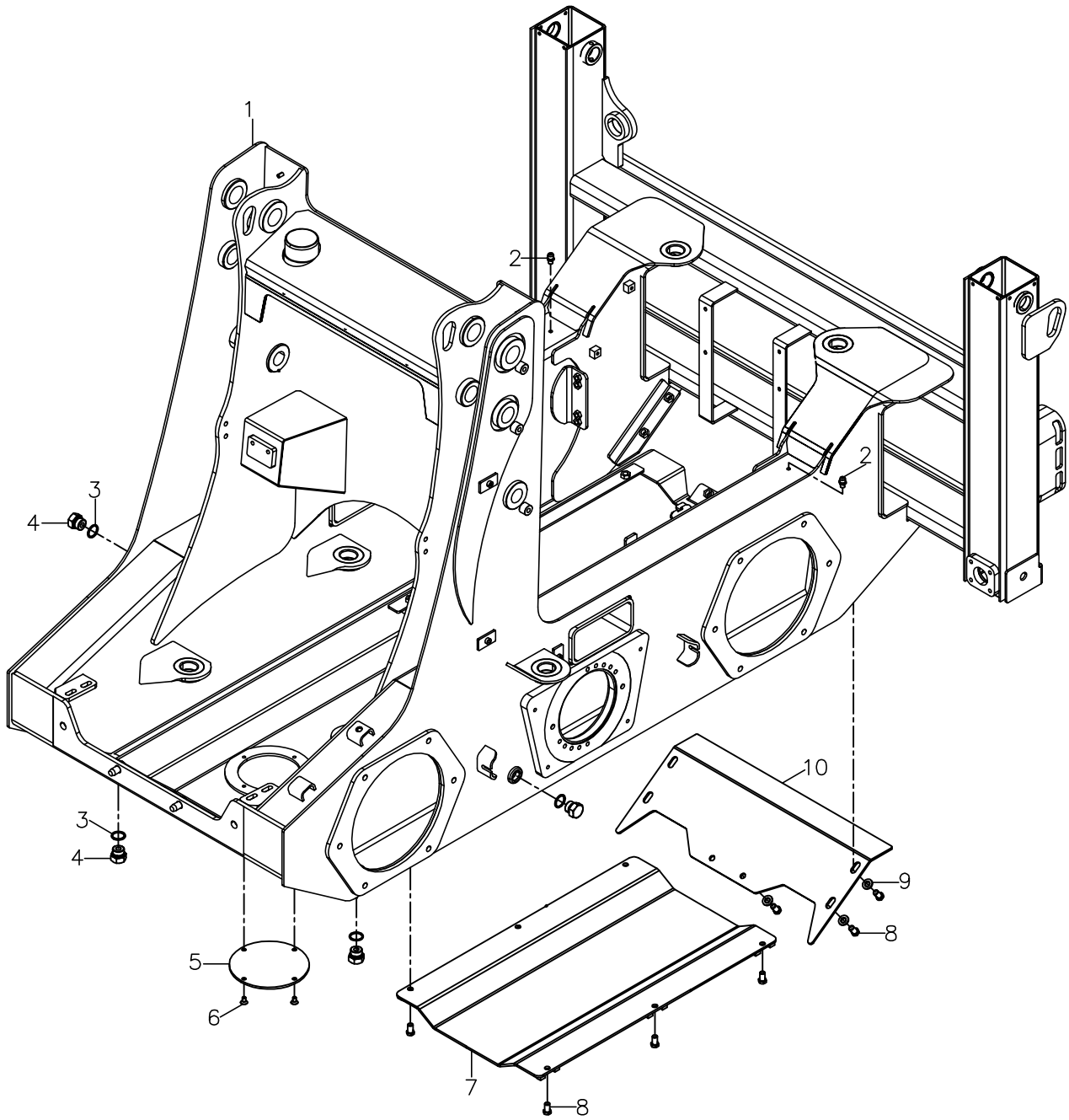
B3

**YÜKLEYİCİ
LOADER**

B4

**KAZICI
BACKHOE**

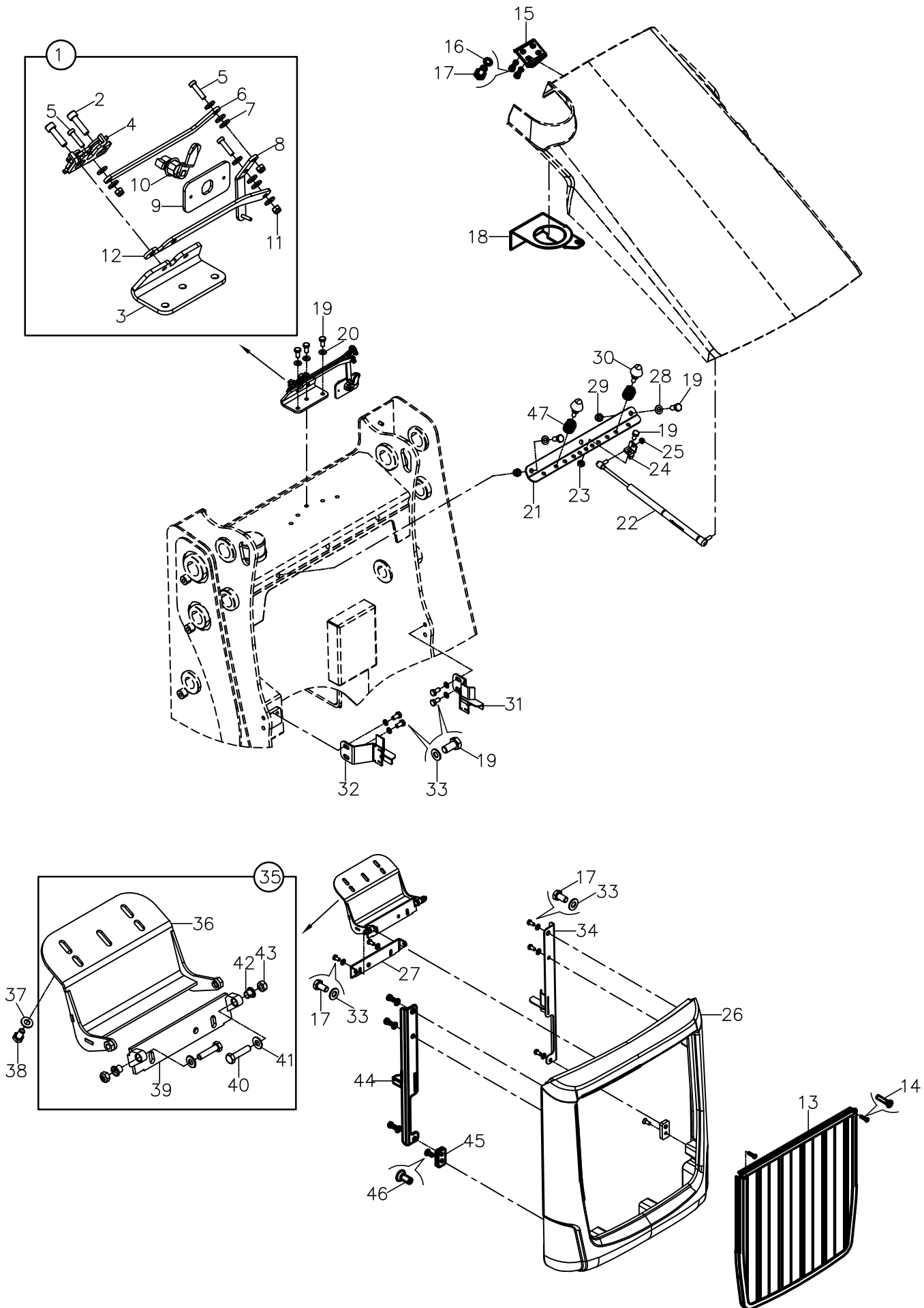
?AS?
CHASSIS



**ŞASI
CHASSIS**

NO NO	PARÇA NO PART NO	TANIM	DESCRIPTION	ADET QTY	S.K. S.C.	SERİ NO SERIAL NO	D.T. ICA	NOT NOTE
1	* M114100100 M114100200	ŞASI	CHASSIS	1				
2	F06/13852	HAVALANDIRMA TAPASI	PLUG	2				
3	N03/0226331	PUL	WASHER	4				
4	814/03010	TAPA	PLUG	4				
5	M114110600	MOTOR YAĞI BOŞALTMA DELİK KAPAĞI	COVER	1				
6	N04/4320482	VİDA M8x14	SCREW M8x14	4				
7	M114110700	MUDAHALE KAPAĞI	COVER	1				
8	N01/0232798	CİVATA M12x20	BOLT M12x20	12				
9	N03/0810001	PUL	WASHER	6				
10	M114111000	ŞASI ARKA KAPAMA SACI	SHEET	1				

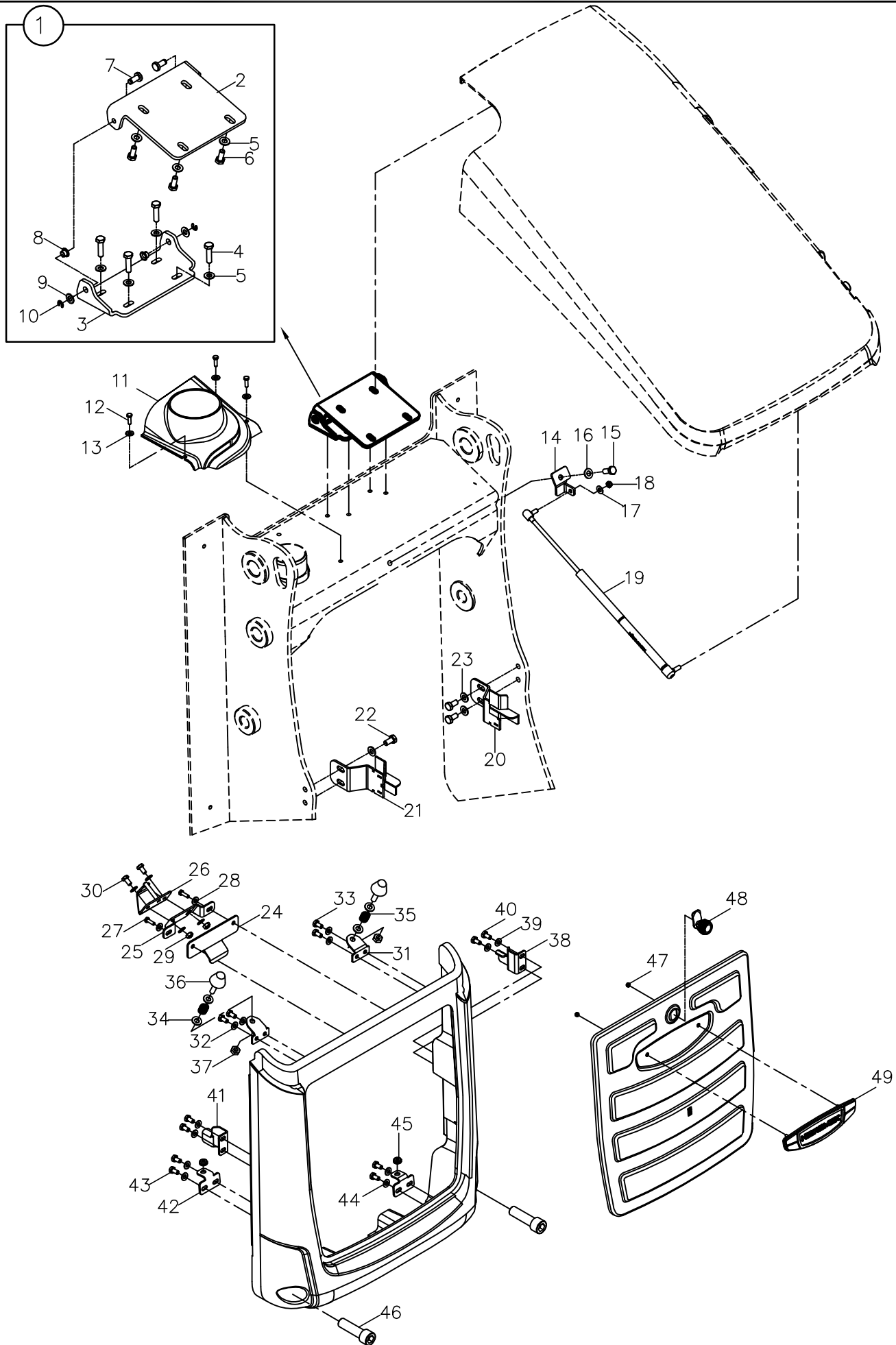
KAPUT-PANEL- PANJUR- TAMPON ?AS? BA?LANTILARI
BONNET- NOSE GUARD- BUMPER- FRONT GRILLE- CHASSIS MOUN.



**KAPUT- MOTOR YAN KAPAĞI- PANEL- PANJUR- TAMPON- ŞASI BAĞLANTILARI
BONNET- ENGINE PANEL- NOSE GUARD- BUMPER- FRONT GRILLE CHASSIS MOUN.**

NO NO	PARÇA NO PART NO	TANIM	DESCRIPTION	ADET QTY	S.K. S.C.	SERİ NO SERIAL NO	D.T. ICA	NOT NOTE
	* M114200100							
1	M114200300	KAPUT KİLİT KOMPL.	BONNET LOCKING ASSY.	1				
2	N01/5890494	CİVATA M8x30	BOLT M8x30	2				
3	M114200500	KİLİT SACI	PLATE, LOCKING	1				
4	F99/60260	KİLİT	LOCKING	1				
5	N01/5890326	CİVATA M6x25	BOLT M6x25	3				
6	M114200600	KİLİT HAREKET SACI	LOCK MOVEMENT, LING	1				
7	M114200900	PUL	WASHER	9				
8	M114200800	KİLİT SACI	PLATE, LOCKING	1				
9	M114200700	BUTON YATAĞI SACI	LOCK ATTACHMENT, LING	1				
10	F99/60265	KİLİT, KELEBEK	LOCKING	1				
11	N02/5910050	SOMUN M6	NUT M6	3				
12	M114200400	KİLİT BAĞLANTI SACI	LOCKING MOUNTING	1				
13	M114203900	ÖN PANJUR	GRILLE, FRONT	1				
14	N04/4330266	VİDA M5x25	SCREW M5x25	2				
15	M114202800	KİLİT KARŞILIĞI	LOCKING PLATE	1				
16	N03/0020011	PUL M8	WASHER M8	4				
17	N01/0232078	CİVATA M8x16	BOLT M8x16	12				
18	M114201900	EGSOZ KORUYUCU SACI	EXHAUST, VENTURI BRACKET	1				
19	N01/0232438	CİVATA M10x20	BOLT M10x20	9				
20	N02/5910086	PUL M10	WASHER M10	3				
21	M114201800	BAĞLANTI SACI	MOUNTING PLATE	1				
22	M114203100	AMORTİSÖR	DAMPER	1				
23	N02/5910086	SOMUN M10	NUT M10	1				
24	M114202100	BAĞLANTI SACI	MOUNTING PLATE	1				
25	N02/5910062	SOMUN M8	WASHER M8	1				
26	M114200200	ÖN PANEL	NOSE GUARD	1				
27	M114202300	MENTEŞE BAGL. SACI	HINGE MOUNTING PLATE	1				
28	N03/0020018	PUL M10	WASHER M10	3				
29	N02/5910086	SOMUN M10	NUT M10	3				
30	810/40041	STOPER	STOPER	2				
31	M114203500	KAPAK KİLİT KARŞILIĞI, SOL	COVER LOCKING PLATE, LEFT	1				
32	M114203300	KAPAK KİLİT KARŞILIĞI, SAĞ	COVER LOCKING PLATE, RIGHT	1				
33	N03/0100017	PUL M8	WASHER M8	12				
34	M114201000	KAPUT BAGL. BRAKETİ, SOL	BONNET MOUNTING BRACKET, LEFT	1				
35	M114202200	KAPUT MENTEŞE KOMPL.	BONNET HINGE ASSY.	1				
36	M114202400	MENTEŞE BRAKETİ	HINGE BRACKET	1				
37	N03/0100017	PUL M8	WASHER M8	3				
38	N01/0232078	CİVATA M8x16	BOLT M8x16	3				
39	M114203700	MENTEŞE YATAK SACI	HINGE PLATE	1				
40	N01/0380374	CİVATA M8x35	BOLT M8x16	2				
41	N03/0108017	PUL M8	WASHER M8	2				
42	F99/14899	BURÇ	BUSHING	2				
43	N02/5910062	SOMUN M8	NUT M8	2				
44	M114201200	KAPUT BAGL. BRAKETİ, SAĞ	BONNET MOUNTING BRACKET, RIGHT	1				
45	M114202000	ARA DESTEK SACI	SPACER,SUPPORT	1				
46	N04/4320506	VİDA M8x20	SCREW M8x20	2				
47	807/06650	YAY	SPRING	2				

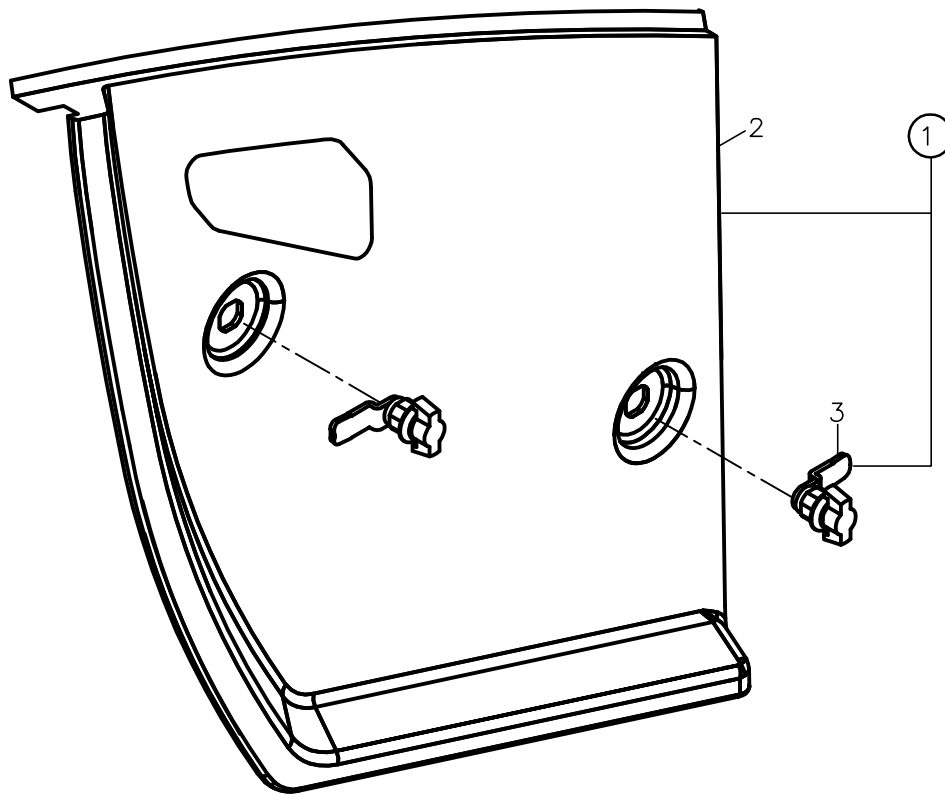
KAPUT-PANEL- PANJUR- TAMPON ?AS? BA?LANTILARI
BONNET- NOSE GUARD- BUMPER- FRONT GRILLE- CHASSIS MOUN.



**KAPUT- MOTOR YAN KAPAĞI- PANEL- PANJUR- TAMPON- ŞASI BAĞLANTILARI
BONNET- ENGINE PANEL- NOSE GUARD- BUMPER- FRONT GRILLE CHASSIS MOUN.**

NO NO	PARÇA NO PART NO	TANIM	DESCRIPTION	ADET QTY	S.K. S.C.	SERİ NO SERIAL NO	D.T. ICA	NOT NOTE
	* M114206600							
1	M114204800	MENTEŞE KOMPLESİ	HINGE ASSY.	1				
2	M114205000	MENTEŞE SACI	HINGE BARCKET	1				
3	M114204900	MENTEŞE SACI	HINGE BARCKET	1				
4	N01/0232162	CİVATA M8x30	BOLT M8x30	4				
5	N03/0140017	RONDELA M8 DIN125	WASHER M8 DIN125	8				
6	N01/0222114	CİVATA M8X20	BOLT M8X20	4				
7	M114205100	MENTESE PİMİ	PIN	2				
8	F99/14899	BURÇ	BUSHING	2				
9	N03/0108001	PUL Ø8X1	WASHER M8X1	2				
10	N05/0760001	SEGMAN	RETAINING RING	2				
11	M114204200	EGZOS KAPLAMA	EXHAUST, VENTURI BRACKET	1				
12	N01/0231514	CİVATA M6X20	BOLT M6X20	3				
13	N03/0108001	PUL,Ø8X1	WASHER M8X1	3				
14	M114204700	AMORTİSOR BAG. SACI	MOUNTING PLATE	1				
15	N01/0222462	CİVATA M10X25	BOLT M10X25	1				
16	N03/0020018	PUL M10	WASHER M10	1				
17	N03/0140017	RONDELA M8 DIN125	WASHER M8 DIN125	1				
18	N02/5900062	SOMUN M8	NUT M8	1				
19	M114207300	AMORTİSÖR	DAMPER	1				
20	M114206900	KAPAK KİLİT KARŞILIĞI,SOL	COVER LOCKING PLATE,LEFT	1				
21	M114206800	KAPAK KİLİT KARŞILIĞI,SAĞ	COVER LOCKING PLATE,RIGHT	1				
22	N01/0222438	CİVATA M10X20	BOLT M10X20	4				
23	N03/0020018	PUL M10	WASHER M10	4				
24	M114205900	KİLİT KARSILIK SACI	LOCKING PLATE	1				
25	M114205700	KİLİT KARSILIK SACI	LOCKING PLATE	1				
26	M114205600	KİLİT KARSILIGI	LOCKING PLATE	1				
27	N01/0231514	CİVATA M6X10	BOLT M6X6	2				
28	N03/0140017	RONDELA M8	WASHER M8	6				
29	N02/5900062	SOMUN M8	NUT M8	2				
30	N01/0232078	CİVATA M8X15	BOLT M8X15	2				
31	M114205200	STOPER SACI	MOUNTING PLATE	2				
32	N03/0140017	PUL M8,DIN125	WASHER M8 ,DIN125	4				
33	N01/0232078	CİVATA M8X15	BOLT M8X15	4				
34	N03/0020018	PUL,M10,DIN125	WASHER,M10,DIN125	4				
35	807/06650	YAY	SPRING	2				
36	810/40041	STOPER	STOPER	2				
37	N02/5900086	SOMUN M10	NUT M10	2				
38	M114205300	YAN KAPUT BAĞLANTI SACI,SOL	BONNET MOUNTING BRACKET, LEFT	1				
39	N03/0140017	PUL M8,DIN125	WASHER M8 ,DIN125	4				
40	N01/0232078	CİVATA M8x15	BOLT M8x15	4				
41	M114205400	YAN KAPUT BAĞLANTI SACI,SAĞ	BONNET MOUNTING BRACKET, RIGHT	1				
42	M114206200	SABİTLEME SACI	SUPPORT	2				
43	N01/0232078	CİVATA,M8X15	BOLT,M8X15	4				
44	N03/0140017	PUL M8,DIN125	WASHER M8 ,DIN125	4				
45	810/40016	GROMET	GROMMET	2				
46	N01/5892078	CİVATA,M20X70	BOLT,M20X70	2				
47	N02/5880026	SOMUN,M5	NUT,M5	2				
48	M11/6102700	KİLİT	LOCKING	1				
49	M114206100	PANJUR	BUMPER	1				
50	M114204300	ÖN PANEL	NOSE GUARD	1				
51	M114206000	ÖN PANJUR	GRILLE, FRONT	1				

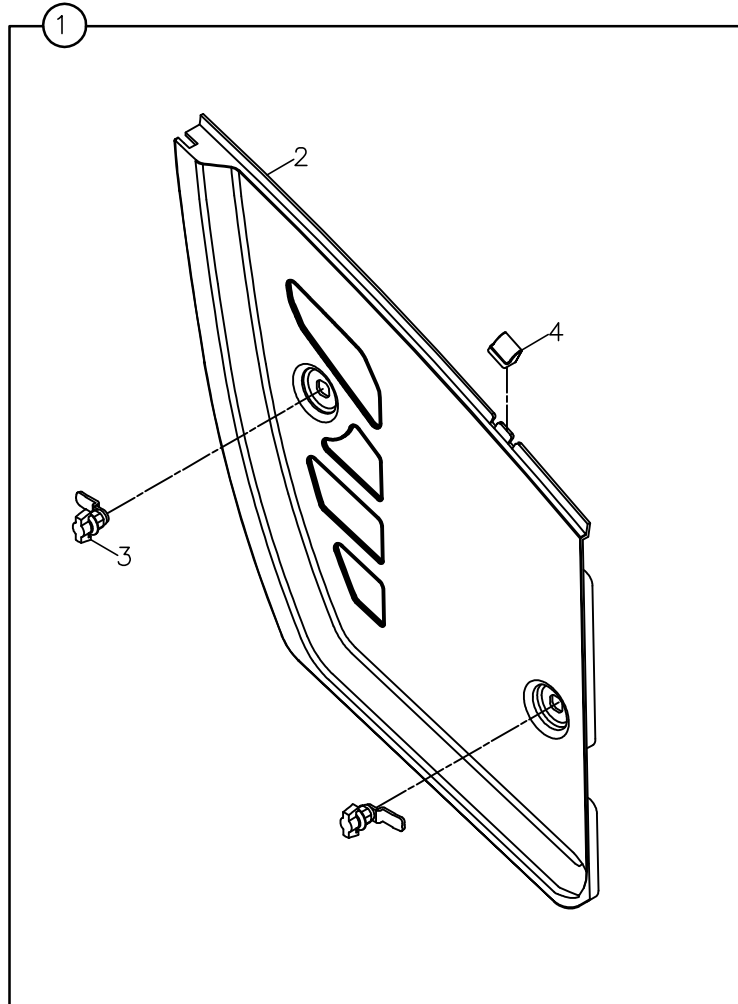
MOTOR KAPA?I, YAN SA?
PANEL, ENGINE, RIGHT SIDE



MOTOR KAPAĐI, YAN, SAĐ
PANEL, ENGINE, RIGHT SIDE

NO NO	PARĐA NO PART NO	TANIM	DESCRIPTION	ADET QTY	S.K. S.C.	SERİ NO SERIAL NO	D.T. ICA	NOT NOTE
1	* M114200100 M114201600	MOTOR KAPAĐI, YAN, SAĐ, KOMP.	PANEL, ENGINE, RIGHT, ASSY	1				
2	M114201700	YAN KAPAK, SAĐ	PANEL, RIGHT	1				
3	F99/60265	KİLİT, KELEBEK	LOCK	2				

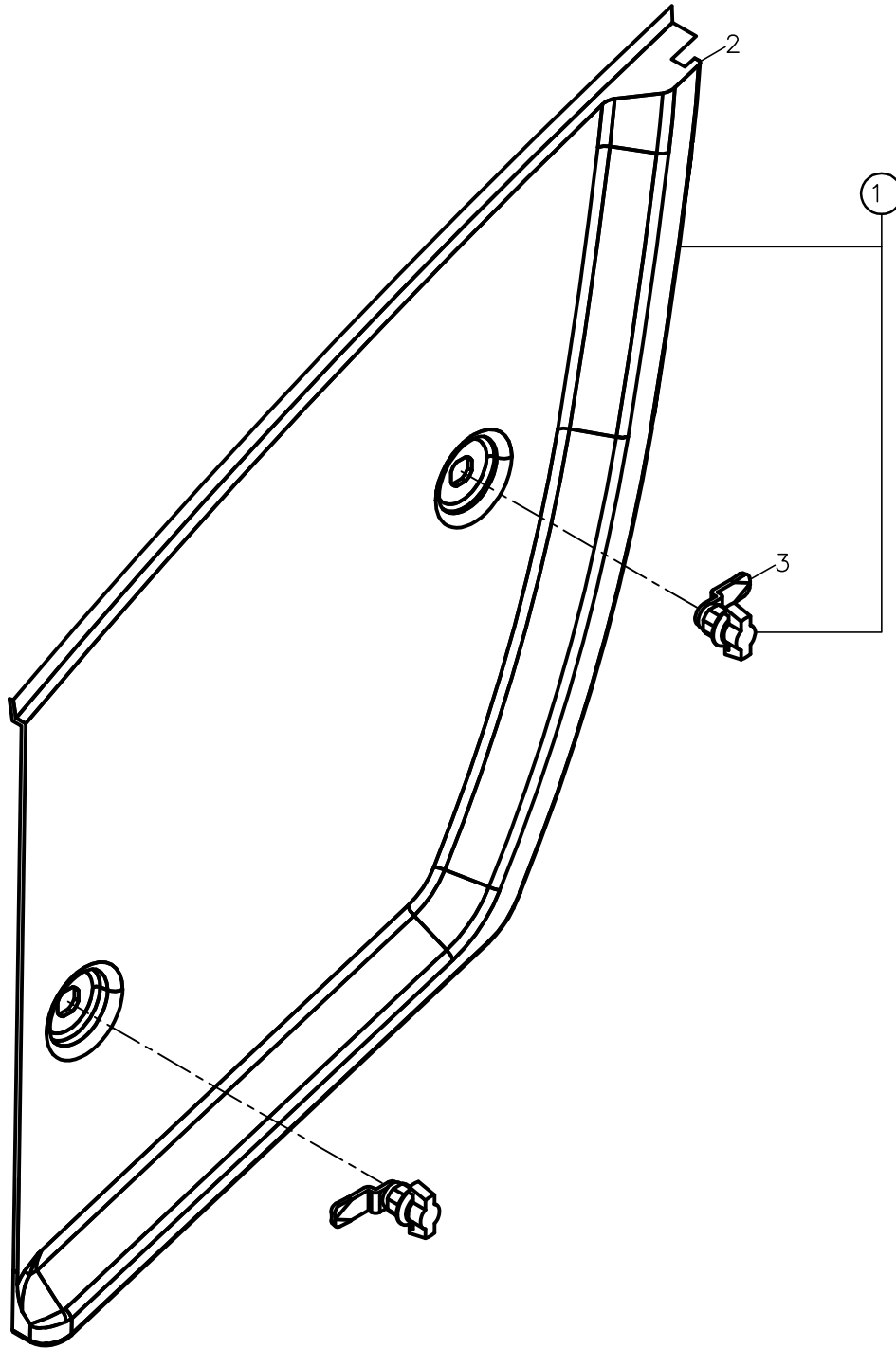
MOTOR KAPA?I ,YAN SA?
PANEL,ENGINE,RIGHT SIDE



MOTOR KAPAĐI, YAN, SAĐ
PANEL, ENGINE, RIGHT SIDE

NO NO	PARĐA NO PART NO	TANIM	DESCRIPTION	ADET QTY	S.K. S.C.	SERİ NO SERIAL NO	D.T. ICA	NOT NOTE
1	M114206600 M114201600	MOTOR KAPAĐI, YAN, SAĐ, KOMP.	PANEL, ENGINE, RIGHT, ASSY	1				
2	M114201700	YAN KAPAK, SAĐ	PANEL, RIGHT	1				
3	F99/60265	KİLİT, KELEBEK	LOCK	2				
4	810/40091	STOPER	STOPER	1				

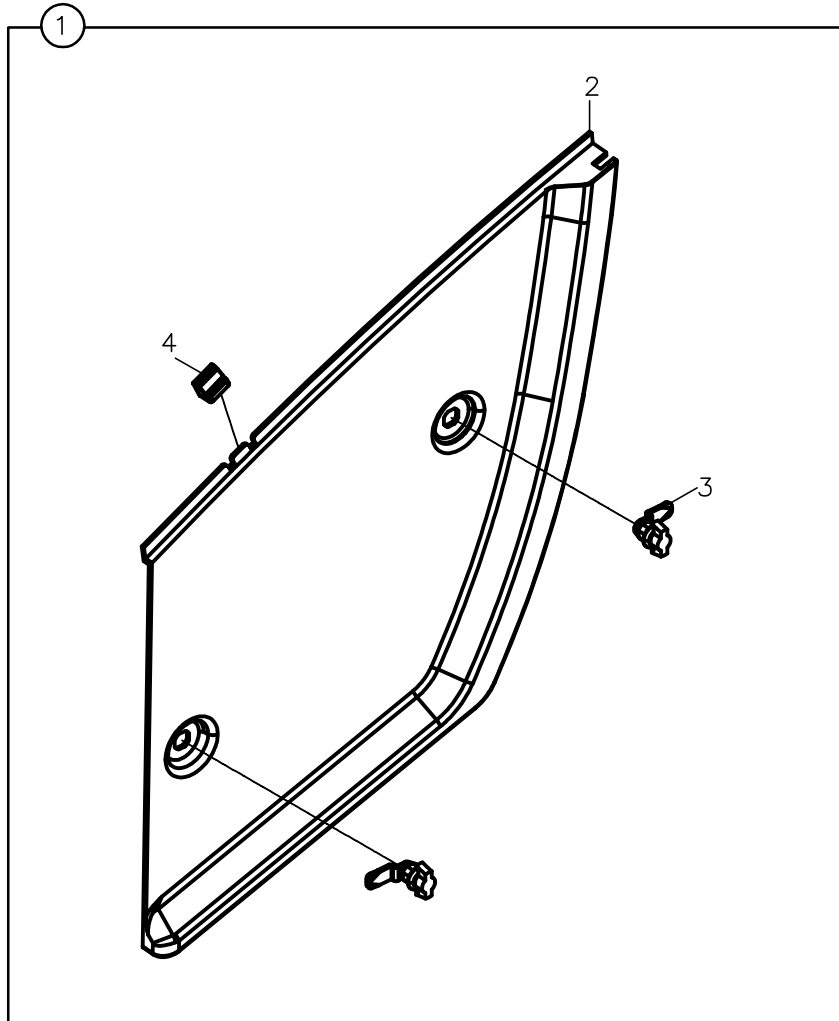
MOTOR KAPA?I, YAN SOL
PANEL, ENGINE, LEFT SIDE



**MOTOR KAPAĐI, YAN, SOL
PANEL, ENGINE, LEFT SIDE**

NO NO	PARĐA NO PART NO	TANIM	DESCRIPTION	ADET QTY	S.K. S.C.	SERİ NO SERIAL NO	D.T. ICA	NOT NOTE
1	* M114200100 M114201400	MOTOR KAPAĐI, YAN, SOL, KOMP.	PANEL, ENGINE, LEFT, ASSY	1				
2	M114201500	YAN KAPAK, SOL	PANEL, LEFT	1				
3	F99/60265	KİLİT, KELEBEK	LOCK	2				

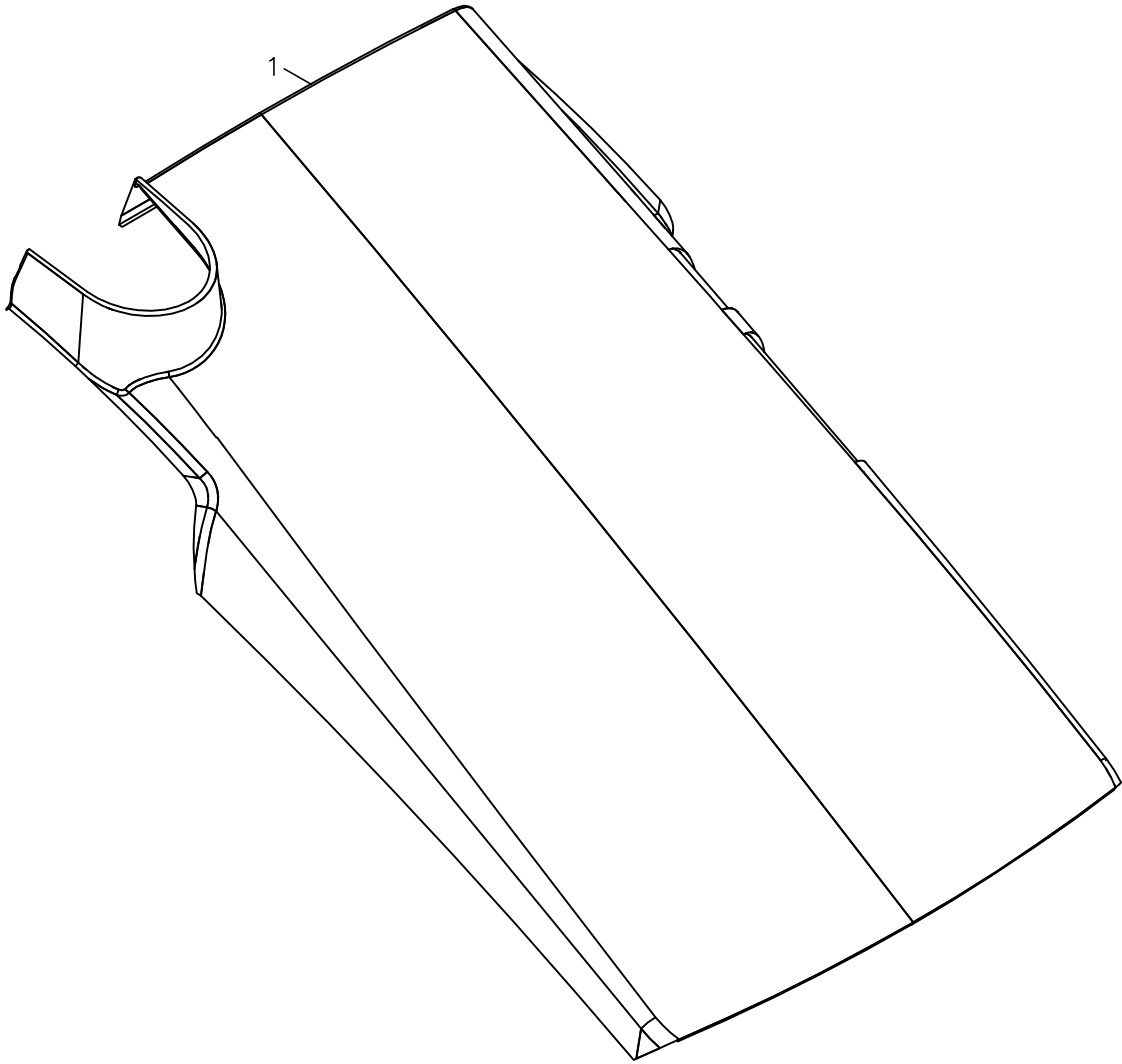
MOTOR KAPA?I,YAN SOL
PANEL,ENGINE,LEFT SIDE



**MOTOR KAPAĐI, YAN, SOL
PANEL, ENGINE, LEFT SIDE**

NO NO	PARĐA NO PART NO	TANIM	DESCRIPTION	ADET QTY	S.K. S.C.	SERİ NO SERIAL NO	D.T. ICA	NOT NOTE
1	* M114206600 M114201400	MOTOR KAPAĐI, YAN, SOL, KOMP.	PANEL, ENGINE, LEFT, ASSY	1				
2	M114201500	YAN KAPAK, SOL	PANEL, LEFT	1				
3	F99/60265	KİLİT, KELEBEK	LOCK	2				
4	810/40091	STOPER	STOPER	1				

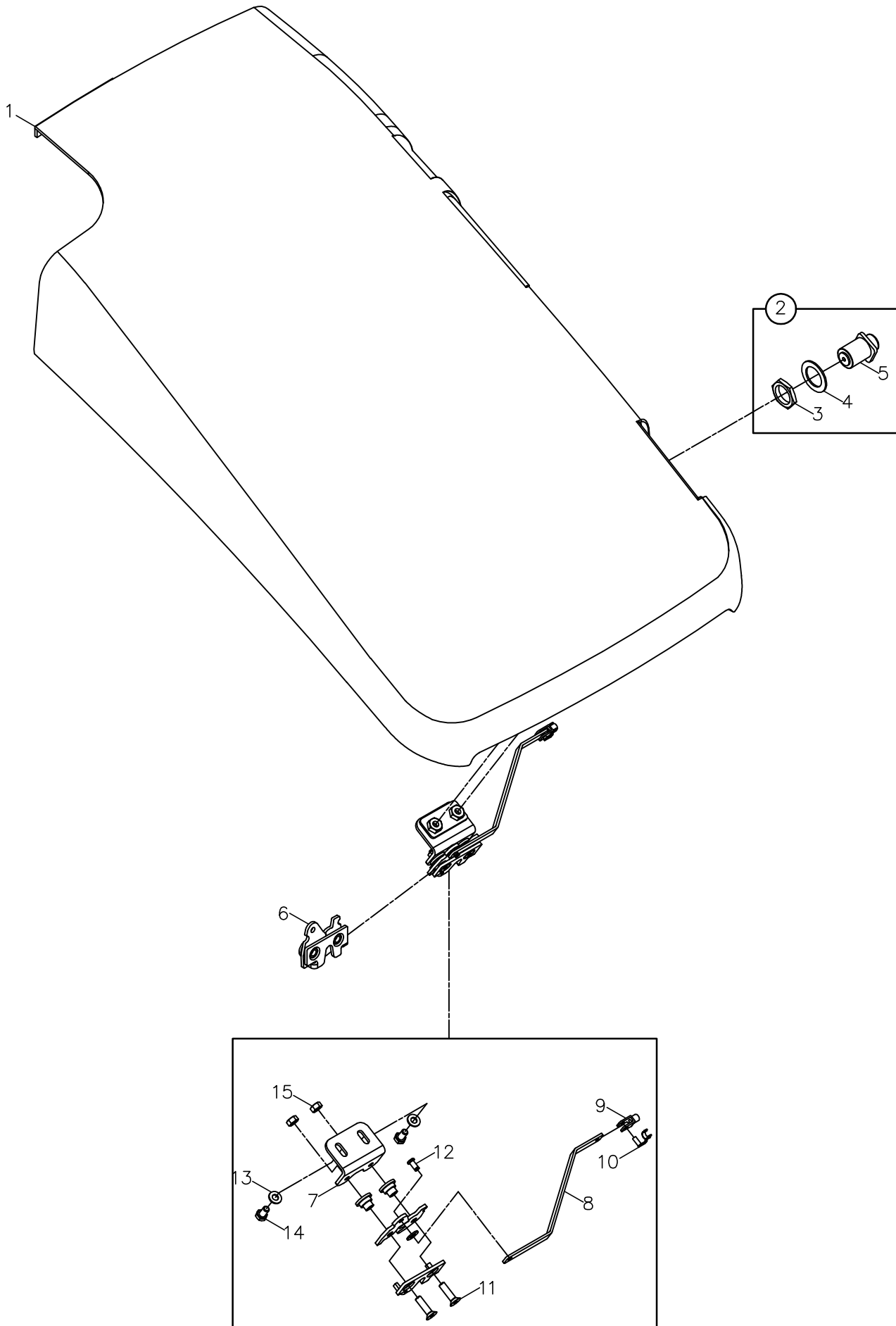
KAPUT
BONNET



**KAPUT
BONNET**

NO NO	PARÇA NO PART NO	TANIM	DESCRIPTION	ADET QTY	S.K. S.C.	SERİ NO SERIAL NO	D.T. ICA	NOT NOTE
1	* M114200100 M114202700	KAPUT KOMPLE	BONNET ASSY.	1				

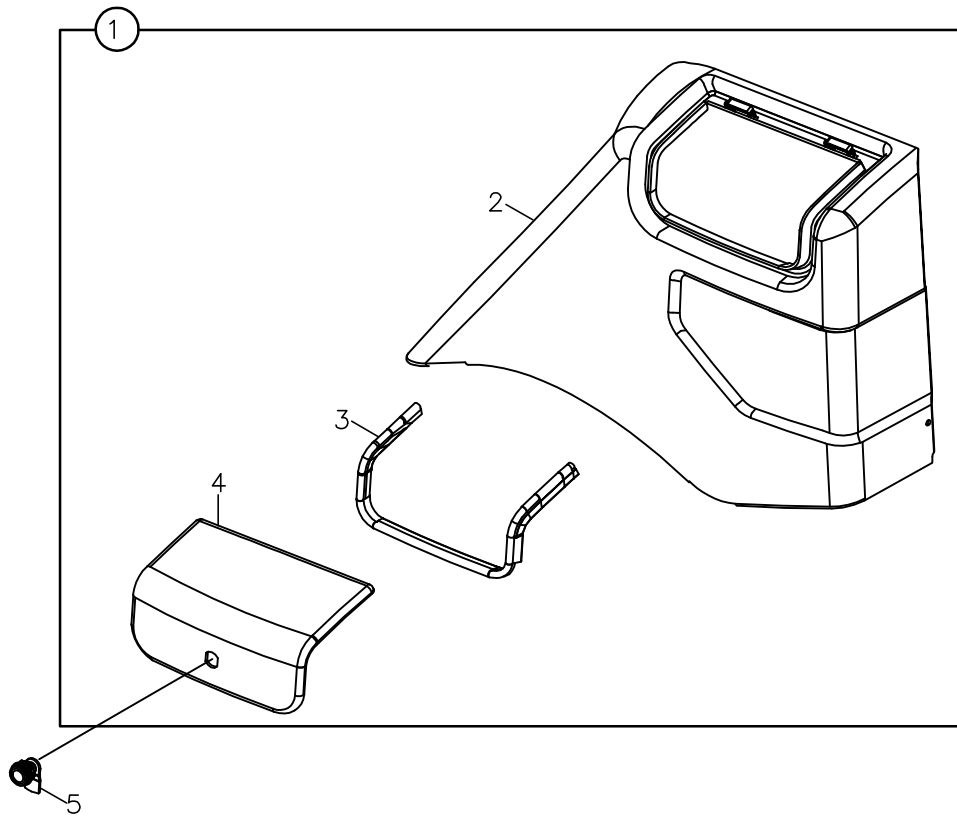
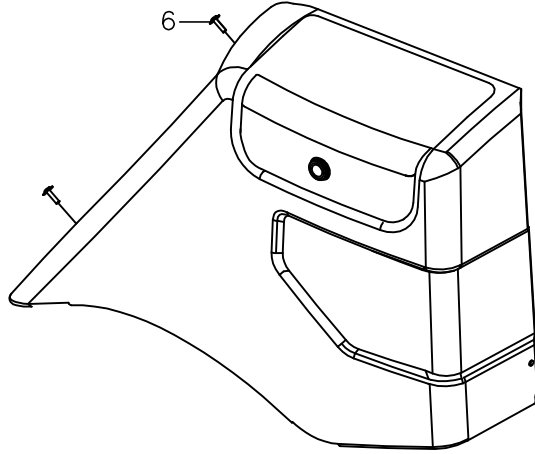
KAPUT
BONET



**KAPUT
BONNET**

NO NO	PARÇA NO PART NO	TANIM	DESCRIPTION	ADET QTY	S.K. S.C.	SERİ NO SERIAL NO	D.T. ICA	NOT NOTE
	* M114205500							
1	M114204100	KAPUT KOMPLE	BONNET ASSY.	1				
2	F99/60270	BUTON, KAPUT ACMA	BUTTON	1				
3	804/00658	OZEL SOMUN	SPECIAL NUT	1				
4	805/00097	PUL	WASHER	1				
5	N02/3570182	SOMUN M8, ISO 4032	NUT M8,ISO 4032	2				
6	F99/60260	KILIT	LOCK	1				
7	M114204400	KILIT BAGLANTI SACI	LOCKING BRACKET	1				
8	M114204500	BUTON SACI	LOCKING LEVER	1				
9	H90/6103100	KILIT MEKANIZMA	CLEVIS	1				
10	H90/6103200	KILIT MEKANIZMA BIRLESTIRME MILI	CLEVIS, PIN	1				
11	N04/4320530	VİDA,M8X30,DIN7991	SCREW,M8X30,DIN7991	2				
12	M114204600	MENTESE PİMİ	PIN	1				
13	N03/0140017	RONDELA,M8,DIN125	WASHER M8 DIN125	3				
14	N01/0232078	CİVATA,M8x15,DIN933	BOLT,M8x15,DIN933	2				

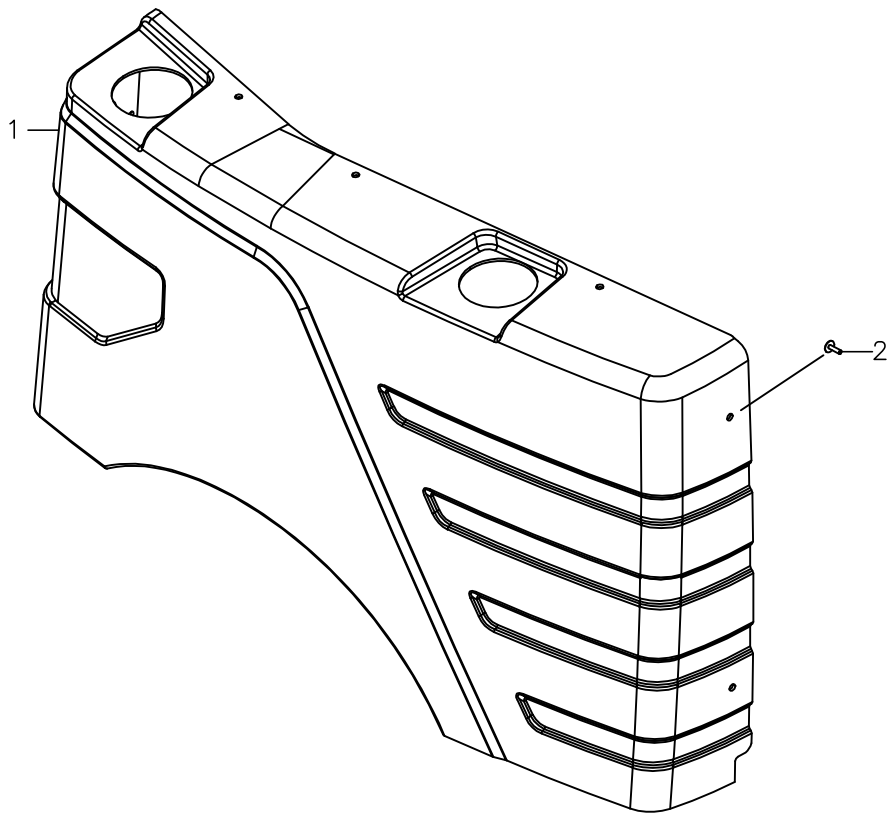
ÇAMURLUK, SOL
FENDER, LEFT



**ÇAMURLUK, SOL
FENDER, LEFT**

NO NO	PARÇA NO PART NO	TANIM	DESCRIPTION	ADET QTY	S.K. S.C.	SERİ NO SERIAL NO	D.T. ICA	NOT NOTE
	* M116100100				RK			
1	M116100600	SOL ÇAMURLUK KOMPL.	FENDER ASSY., SOL	1				
2	M116101800	SOL ÇAMURLUK GÖVDESİ	FENDER , SOL	1				
3	816/00820	FİTİL	STRIP, RUBBER	1				
4	M116101900	SOL ÇAMURLUK KAPAĞI	COVER	1				
5	M116103300	KİLİT	LOCK	1				
6	N04/4320245	VİDA M5x16	SCREW M5x16	6				

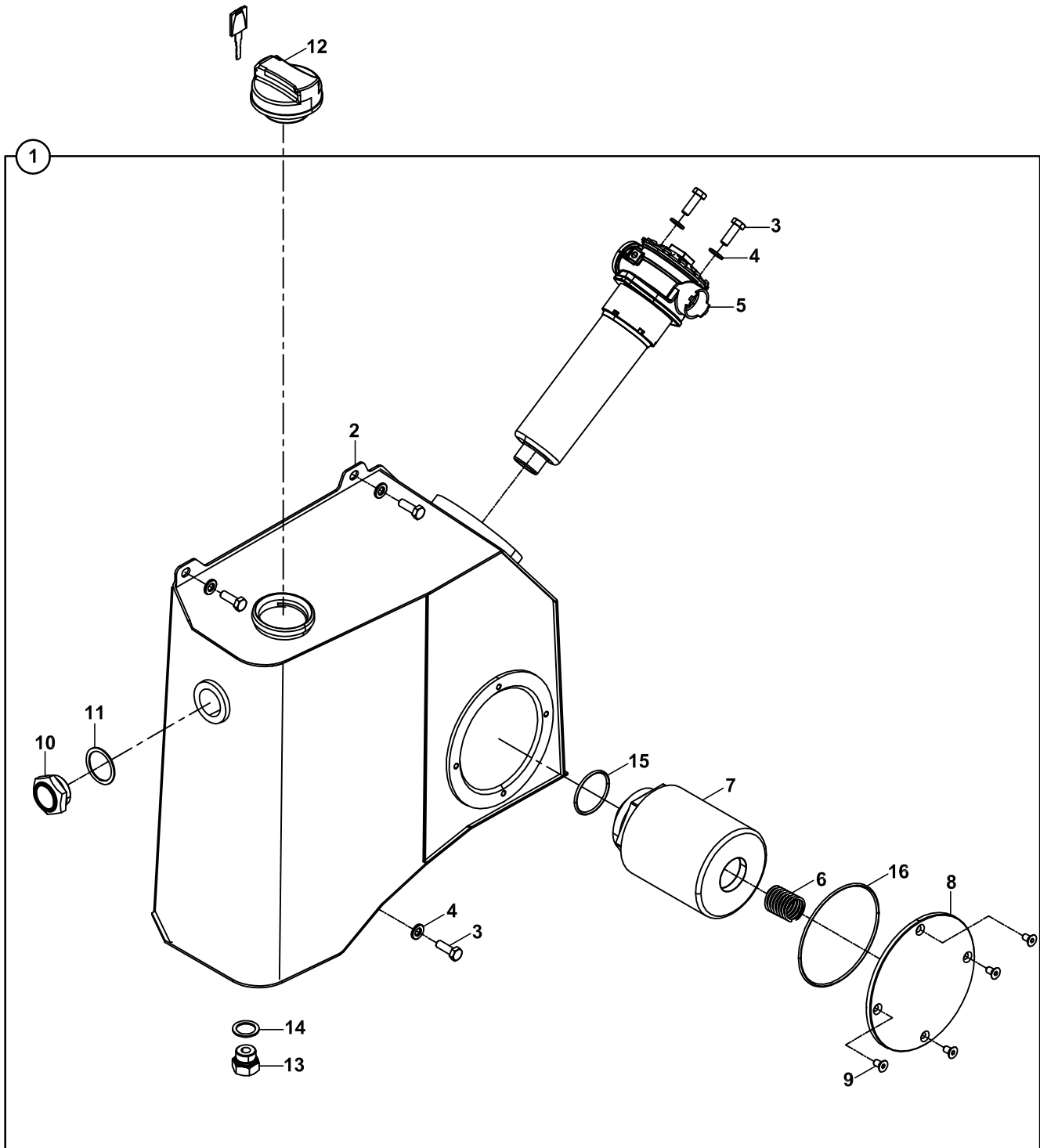
ÇAMURLUK, SA?
FENDER, RIGHT



**ÇAMURLUK, SAĞ
FENDER, RIGHT**

NO NO	PARÇA NO PART NO	TANIM	DESCRIPTION	ADET QTY	S.K. S.C.	SERİ NO SERIAL NO	D.T. ICA	NOT NOTE
1	* M116100100 M116100500	ÇAMURLUK KOMPL., SAĞ	FENDER ASSY., RIGHT	1	RK			
2	N04/4320245	VİDA M5x16	SCREW M5x16	7				

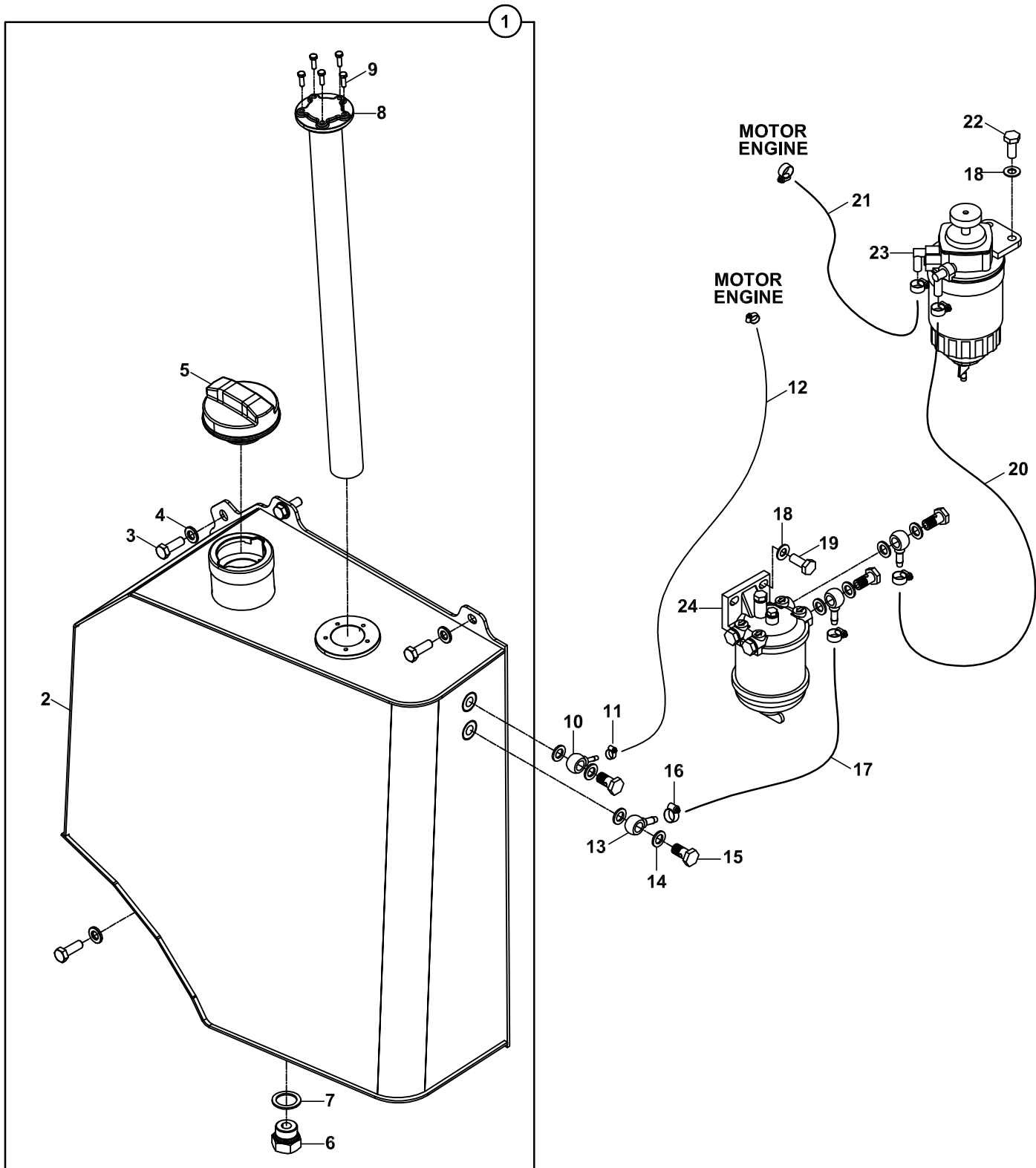
DEPO, HİDROLİK YAG
TANK, HYDRAULIC



**DEPO, HİDROLİK YAĞ
TANK, HYDRAULIC**

NO NO	PARÇA NO PART NO	TANIM	DESCRIPTION	ADET QTY	S.K. S.C.	SERİ NO SERIAL NO	D.T. ICA	NOT NOTE
1	M113400100	YAĞ DEPOSU, KOMPLE	TANK HYDRAULIC, ASSY.	1	SOP			
2	M113400200	HİDROLİK DEPO	TANK HYDRAULIC	1				
3	N01/0380566	CİVATA M10x30	BOLT M10x30	6				
4	N03/0810015	PUL M10	WASHER M10	6				
5	M113402500	FİLTRE, DÖNÜŞ	FILTER, RETURN	1				
6	M113402400	YAY, EMİŞ SÜZGEÇİ	SPRING	1				
7	M113401900	EMİŞ FİLTRESİ	FILTERİ SUCTION	1				
8	M113401600	KAPAK	COVER	1				
9	N04/4320484	VİDA M8x16	SCREW M8x16	4				
10	F99/14030	YAĞ SEVİYE GÖSTERGESİ	INDICATOR, OIL LEVER	1				
11	F99/15160	GÖSTERGE SOMUNU	GASKET	1				
12	F99/15022	DEPO KAPAĞI	CAP. HYD. FILLER	1				
13	814/03010	TAPA	PLUG	1				
14	N03/0000025	PUL	WASHER	1				
15	N10/2005735	O-RİNG	O-RING	1				
16	N10/2014235	O-RİNG	O-RING	1				

DEPO, YAKIT
TANK, FUEL



**DEPO, YAKIT
TANK, FUEL**

NO NO	PARÇA NO PART NO	TANIM	DESCRIPTION	ADET QTY	S.K. S.C.	SERİ NO SERIAL NO	D.T. ICA	NOT NOTE
	M112500100							
1	M112500300	YAKIT DEPOSU	TANK, DIESEL FUEL	1				
2	M112500400	YAKIT DEPOSU	TANK, DIESEL FUEL	1				
3	N01/0380566	CİVATA M10x30	BOLT M10x30	4				
4	N03/0810015	PUL M10	WASHER M10	4				
5	F99/15018	DEPO KAPAĞI	CAP, HYD. FILLER	1				
6	814/03010	BOŞALTIMA TAPASI	PLUG	1				
7	N03/0000025	PUL	WASHER	1				
8	M112501800	ŞAMANDIRA	FLOAT SWITCH	1				
9	N01/0221202	CİVATA M5x16	BOLT M5x16	5				
10	F99/00465	HALKA RAKOR	BANJO NIPPLE	1				
11	N07/4010016	KELEPÇE	CLAMP	6				
12	H06/1600316	HORTUM	HOSE	1				metre/meters
13	F99/00460	HALKA RAKOR	BANJO NIPPLE	3				
14	N03/0000004	ORINGLI PUL	WASHER	8				
15	F99/00459	BSP CİVATA	BOLT	4				
16	N07/4008013	KELEPÇE	CLAMP	6				
17	H06/1600516	HORTUM	HOSE	1.2				metre/meters
18	N03/0100020	PUL	WASHER	4				
19	N01/0232438	CİVATA M10x20	BOLT M10x20	2				
20	H06/1600516	HORTUM	HOSE	4.47				metre/meters
21	H06/1600516	HORTUM	HOSE	0.6				metre/meters
22	N01/0232486	CİVATA M10x30	BOLT M10x30	2				
23	F28/91030	YAKIT FİLTRESİ, SU AYIRICI	FUEL FILTER	1				
24	M113100150	YAKIT FİLTRESİ	FUEL FILTER	1				

B

**GÖVDE
BODY PARTS**

B1

**GÖVDE MONTAJLARI
BODY PARTS MOUNTINGS**

B2

**KABİN
OPERATOR CAB**

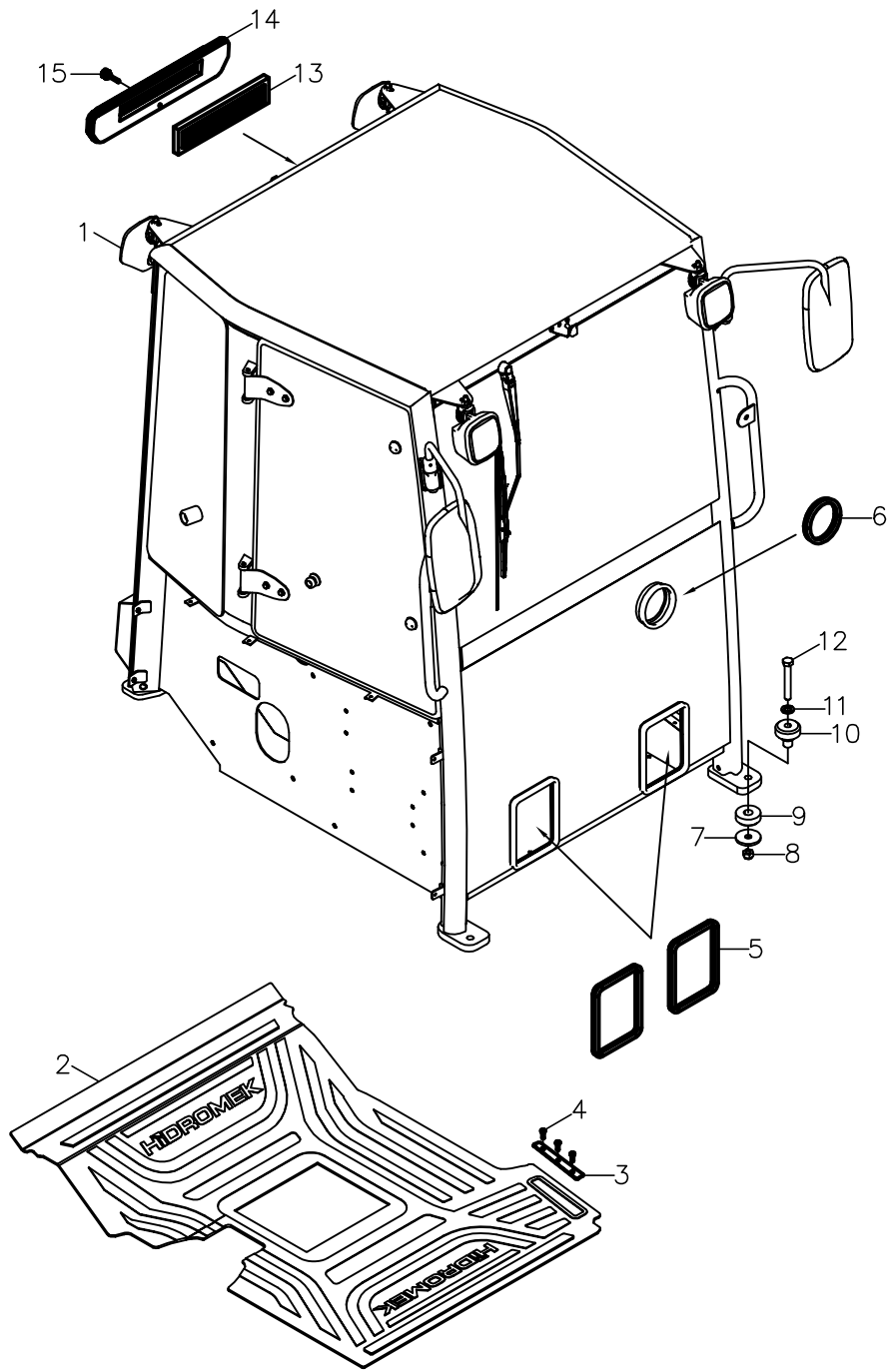
B3

**YÜKLEYİCİ
LOADER**

B4

**KAZICI
BACKHOE**

KAB?N
OPERATOR CAB



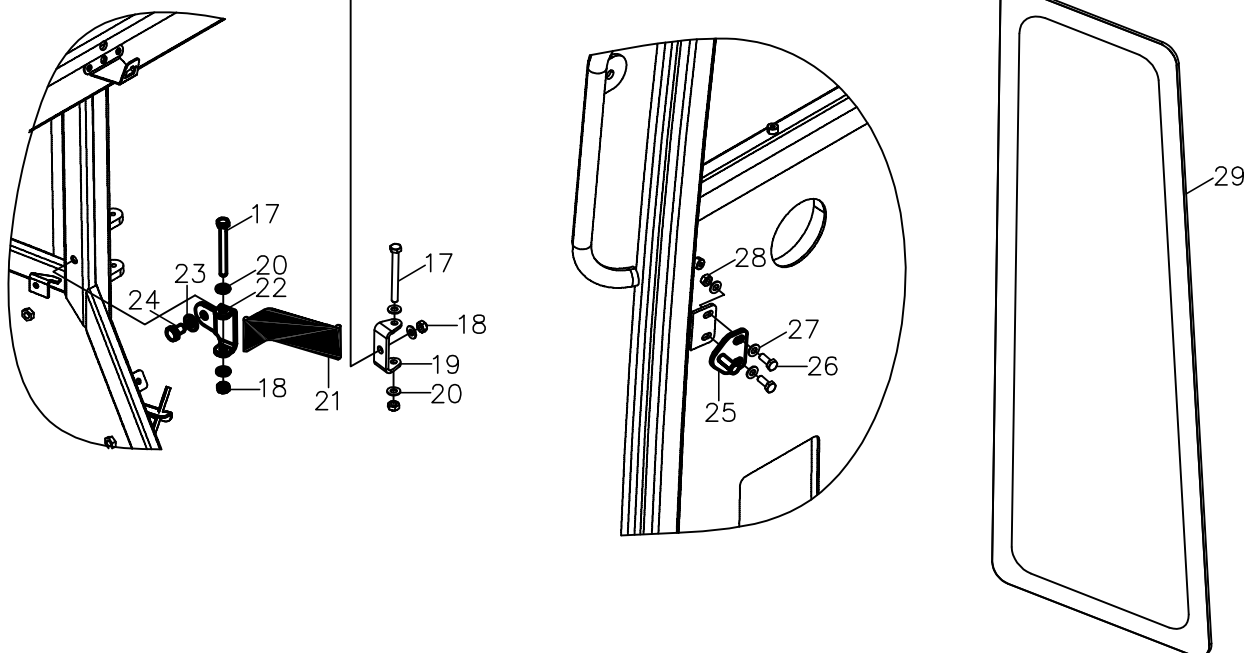
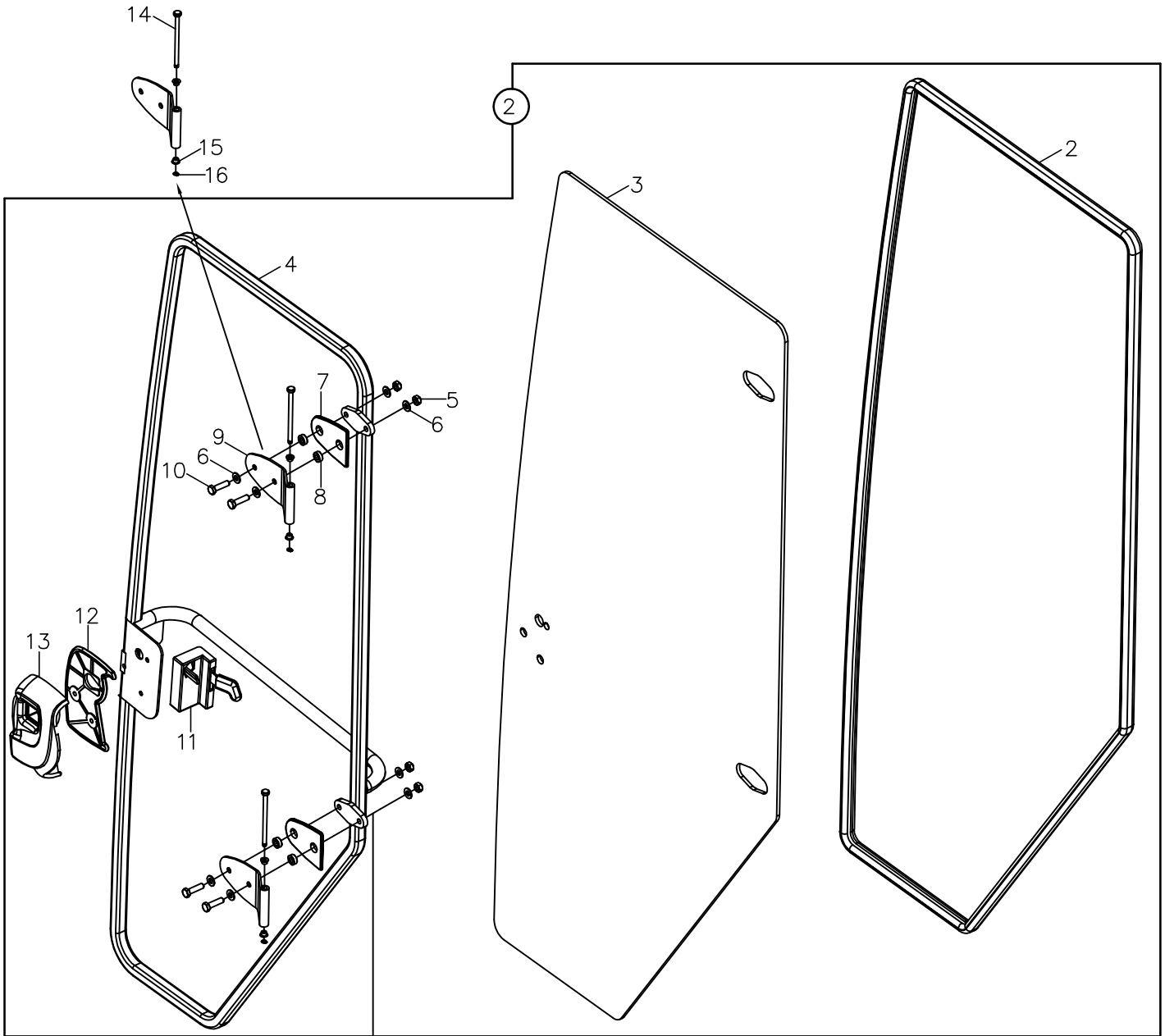
**KABİN, LEVYE MEKANİZMALI
OPERATOR CAB, LEVERS MECHANISM**

NO NO	PARÇA NO PART NO	TANIM	DESCRIPTION	ADET QTY	S.K. S.C.	SERİ NO SERIAL NO	D.T. ICA	NOT NOTE
	* M116000100							
1	M116000200	KABİN	OPERATOR CAB	1				
2	M116100400	PASPAS	FLOORMAT	1				
3	M116000800	PASPAS SACI	PLATE, FLOORMAT	1				
4	N01/0231514	CİVATA M6x20	BOLT M6x20	3				
5	M116002000	FİTİL	STRIP	2				
6	M116002100	FİTİL	STRIP	1				
7	M112002200	TAKOZ ALT SACI	WASHER	4				
8	N02/5910182	SOMUN M16	NUT M16	4				
9	M112002600	MOTOR TAKOZU ALT PARÇA	MOUNTING, LOWER	4				
10	M112002500	MOTOR TAKOZU UST PARÇA	MOUNTING, RUBBER	4				
11	N03/0810002	PUL, M16	WASHER M16	4				
12	N01/0381370	CİVATA, M16x110	BOLT M16x100	4				
13	M116018500	FİLTRE, KLİMA	FILTER, AIR CONDITIONER	1				
14	M116018100	KAPAK, KLİMA FİLTRE	COVER, AIR CONDITIONER FILTER	1				
15	M116017800	ÖZEL CİVATA	BOLT, SPECIAL	1				

**KAPI VE CAMLAR, YAN SAĞ
DOOR AND WINDOW SIDE, RIGHT**

NO NO	PARÇA NO PART NO	TANIM	DESCRIPTION	ADET QTY	S.K. S.C.	SERİ NO SERIAL NO	D.T. ICA	NOT NOTE
	M116000200							
1	M116001400	ARKA CAM, SAĞ	REAR CLASS, RIGHT	1				
2	M116001500	PİM, MENTEŞE	PIN	2				
3	F99/14897	BURÇ, YATAK	BUSHING	4				
4	N05/0020007	SEGMAN	RETAINING RING	2				
5	M116000500	AÇILIR CAM, SAĞ KOMPLE	GLASS REAR, RIGHT	1				
6	M116003000	KAPI FİTİLİ	STRIP, DOOR	1				
7	N01/0232162	CİVATA M8x30	BOLT M8x30	4				
8	N03/0140017	PUL M8	WASHER M8	8				
9	M116003300	YAN CAM MENTESE SACI	HINGE PLATE, SIDE WINDOW	2				
10	M116003200	CONTA YAN CAM MENTEŞE	GASKET	2				
11	M116002900	AÇILIR CAM SAĞ ON	GLASS REAR, RIGHT FRONT	1				
12	M116003400	YAN CAM MENTESE CONTASI İÇ	GASKET	2				
13	M116003500	YAN CAM MENTESE BAGL. SACI	HINGE MOUNTING PLATE, SIDE WINDOW	2				
14	N02/5900062	SOMUN M8	NUT M8	4				
15	M116003600	TUTAMAK	HANDLE	1				
16	F32/18103	KİLİT, YAN CAM	LOCK, SIDE WINDOW	1				
17	810/40045	SERT PLASTİK PUL	WASHER, PLASTIC, HARD	3				
18	810/40046	YUMUŞAK PLASTİK PUL	WASHER, PLASTIC, SOFT	6				
19	810/40046	YUMUŞAK PLASTİK PUL	WASHER, PLASTIC, SOFT	1				
20	810/40082	KİTLEK SABİTLEME PARÇ.	BRACKET, LOCK MOUNTING	2				
21	810/40070	GERİ KİTLEK PLASTİĞİ	PLASTIC, LOCK	1				
22	N02/3580206	SOMUN	NUT	1				
23	810/40045	SERT PLASTİK PUL	WASHER, PLASTIC, HARD	1				
24	810/40046	YUMUSAK PLASTİK PUL	WASHER, RUBBER, SOFT	1				
25	020/21462	CİVATA ALTLIĞI	SPACER	1				
26	N03/0100013	PUL	WASHER	1				
27	810/99950	CİVATA M10x50	BOLT M10x50	1				
28	810/40090	TUTAMAK	HOLDER	1				
29	807/01515	YAY	SPRING	1				

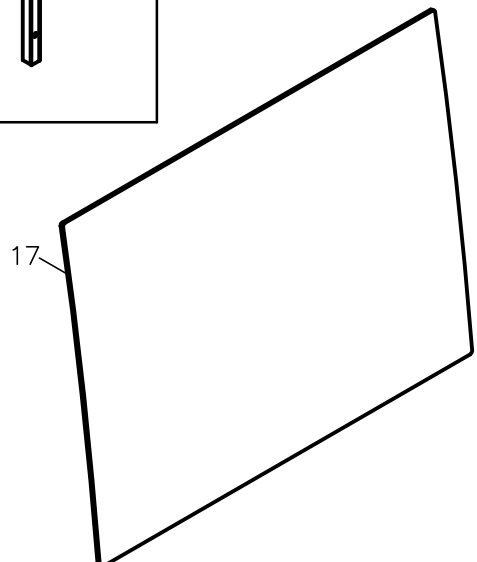
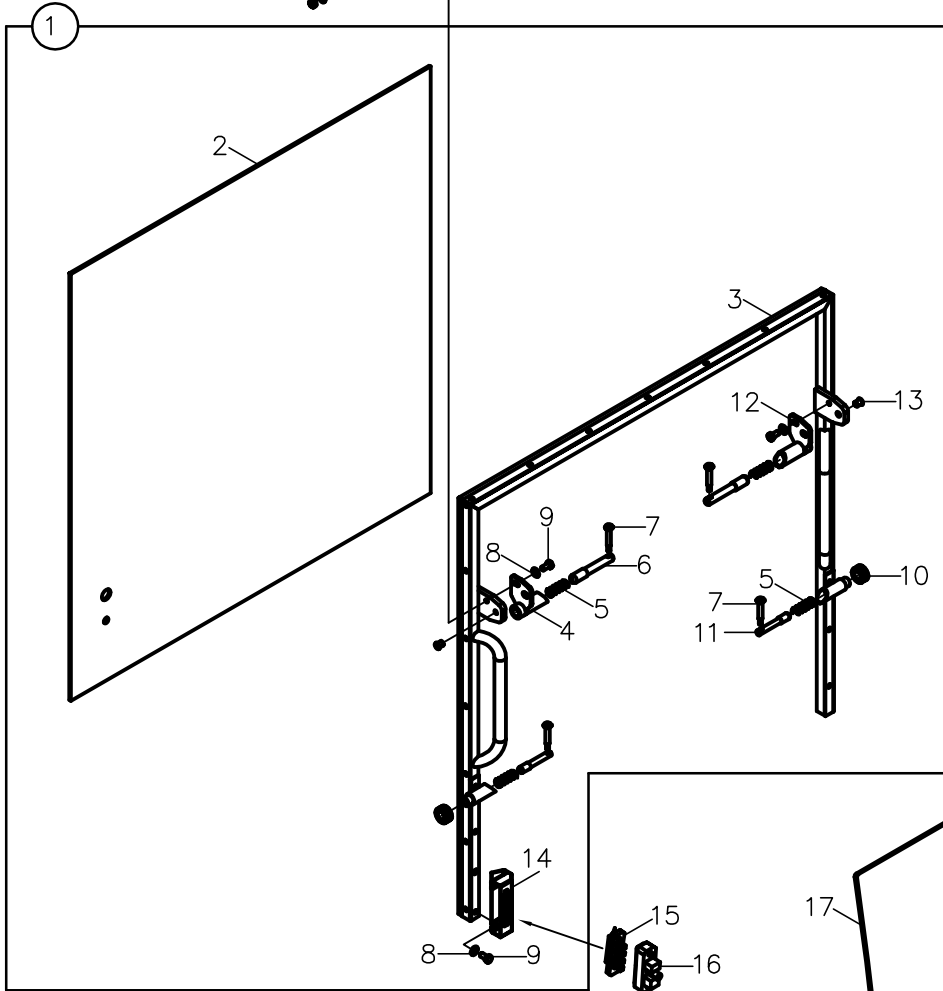
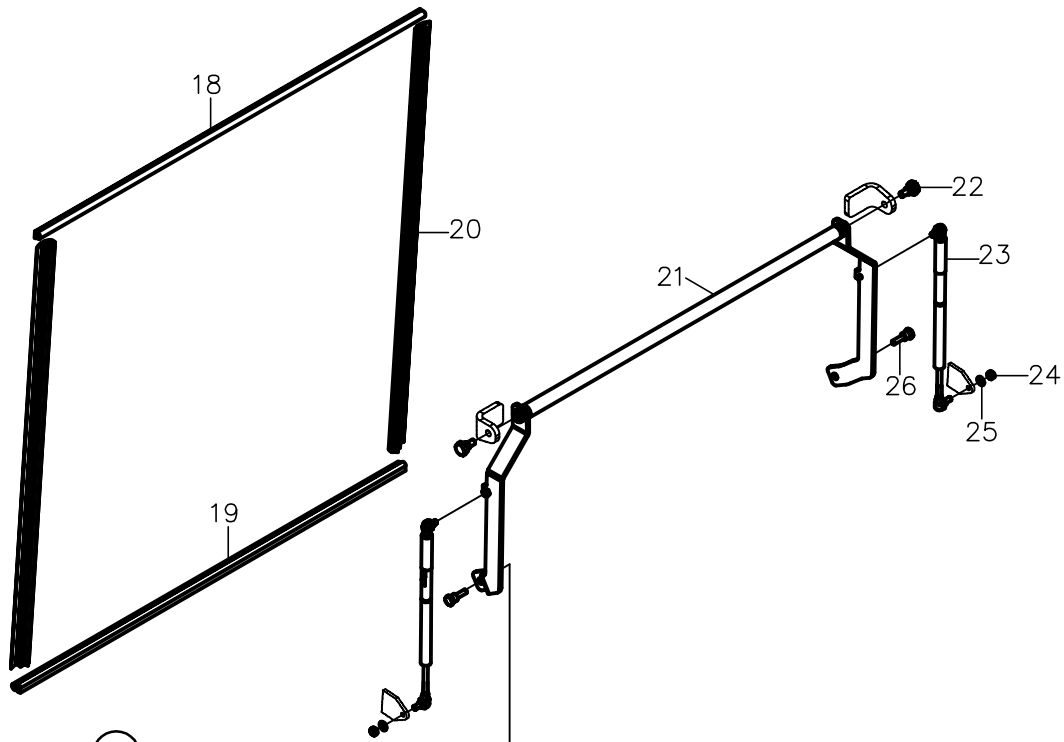
KAPI VE CAMLAR, YAN, SOL
DOOR AND WINDOW SIDE, LEFT



KAPI VE CAMLAR, YAN SOL
DOOR AND WINDOW SIDE, LEFT

NO NO	PARÇA NO PART NO	TANIM	DESCRIPTION	ADE QTY	S.K. S.C.	SERİ NO SERIAL NO	D.T. ICA	NOT NOTE
	M116000200							
1	M116000600	KAPI KOMPLE, SOL	DOOR, LEFT, ASSY.	1				
2	M116002800	KAPI FİTİLİ	STRIP, DOOR	1				
3	M116002600	KAPI CAMI	GLASS DOOR	1				
4	M116002700	KAPI	DOOR	1				
5	N02/5910062	SOMUN M8	NUT M8	4				
6	N03/0140017	PUL M8	WASHER M8	8				
7	M116003200	CONTA YAN CAM MENTEŞE	GASKET	2				
8	M116003700	PLASTİK BURÇ	BUSHING	4				
9	M116003300	MENTEŞE SACI, KAPI	HINGE PLATE, DOOR	2				
10	N01/0232162	CİVATA M8x30	BOLT M8x30	4				
11	S91/00631	KİLİT, KAPI İÇ	LOCK, DOOR	1				
12	810/40064	KAPI KOLU ALTLIĞI, SOL	BASE, HANDLE, LEFT	1				
13	S91/00657	KAPI KOLU, F TİPİ, SOL	HANDLE, F TYPE, LEFT	1				
14	M116001500	PİM MENTESE	PIN	2				
15	F99/14897	BURÇ,YATAK	BUSHING	4				
16	N05/0020007	SEGMAN	RETAINING RING	2				
17	N01/0380493	CİVATA M8x80	BOLT M8x80	1				
18	N02/5910062	SOMUN M8	NUT M8	2				
19	M116005500	KAPI GERĞİ BAĞLANTI SACI	STAY PLATE, DOOR	1				
20	N03/0100017	PUL M8	WASHER M8	4				
21	M116000900	HALAT	LASHING	1				
22	M116005600	KAPI GERĞİ BAĞLANTI SACI	STAY PLATE, DOOR	1				
23	N03/0020018	PUL M10	WASHER M10	1				
24	N01/0232402	CİVATA M10x16	BOLT M10x16	1				
25	M116002400	KİLİT KARŞILĞI	LOCK TOWARD	1				
26	N01/0232114	CİVATA M8x20	BOLT M8x20	2				
27	N03/0140017	PUL M8	WASHER M8	4				
28	N02/5910062	SOMUN M8	NUT M8	2				
29	M116001300	SOL ARKA CAM	REAR GLASS, LEFT	1				

CAMLAR, ÖN- ARKA
WINDOWS, FRONT- REAR

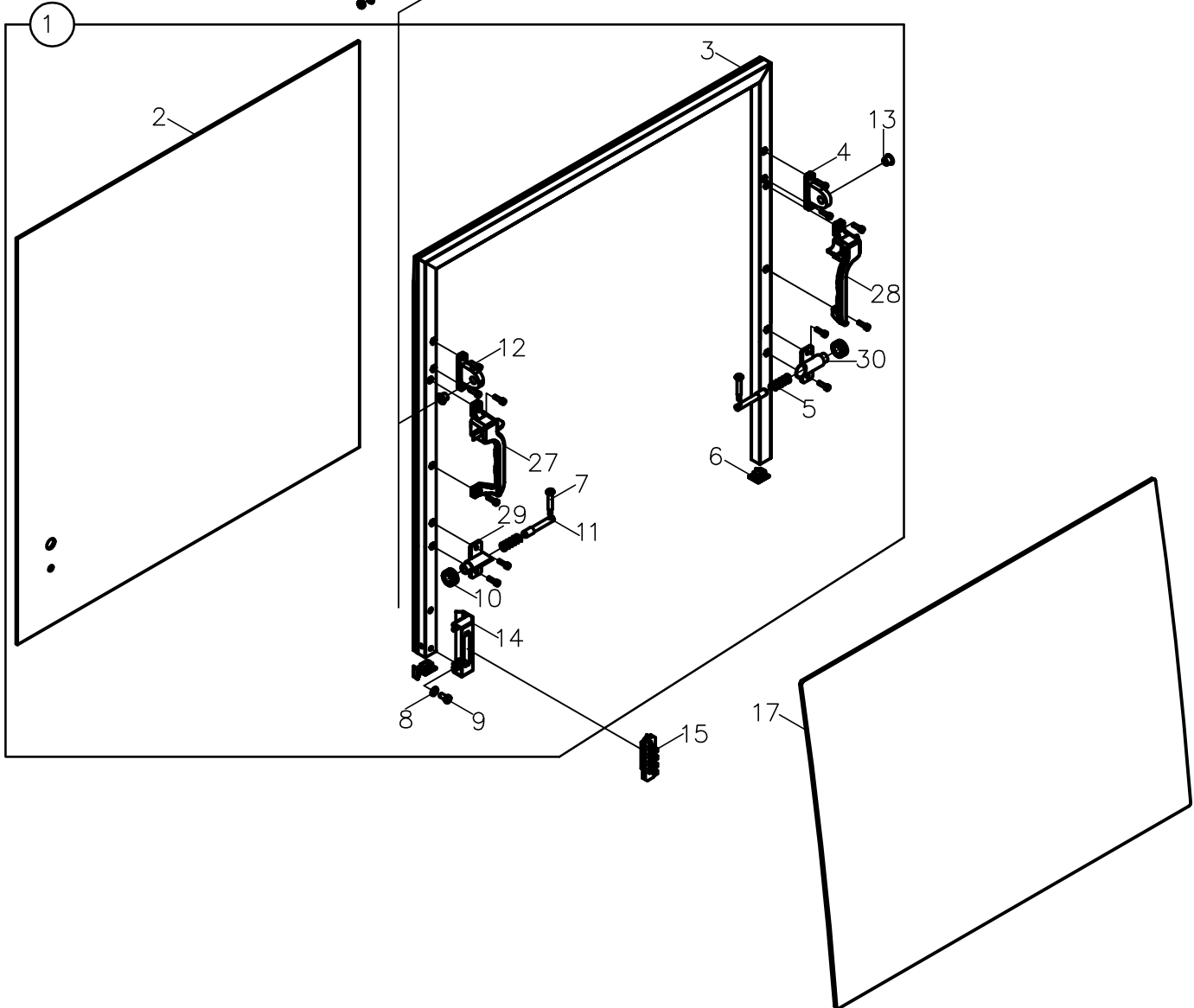
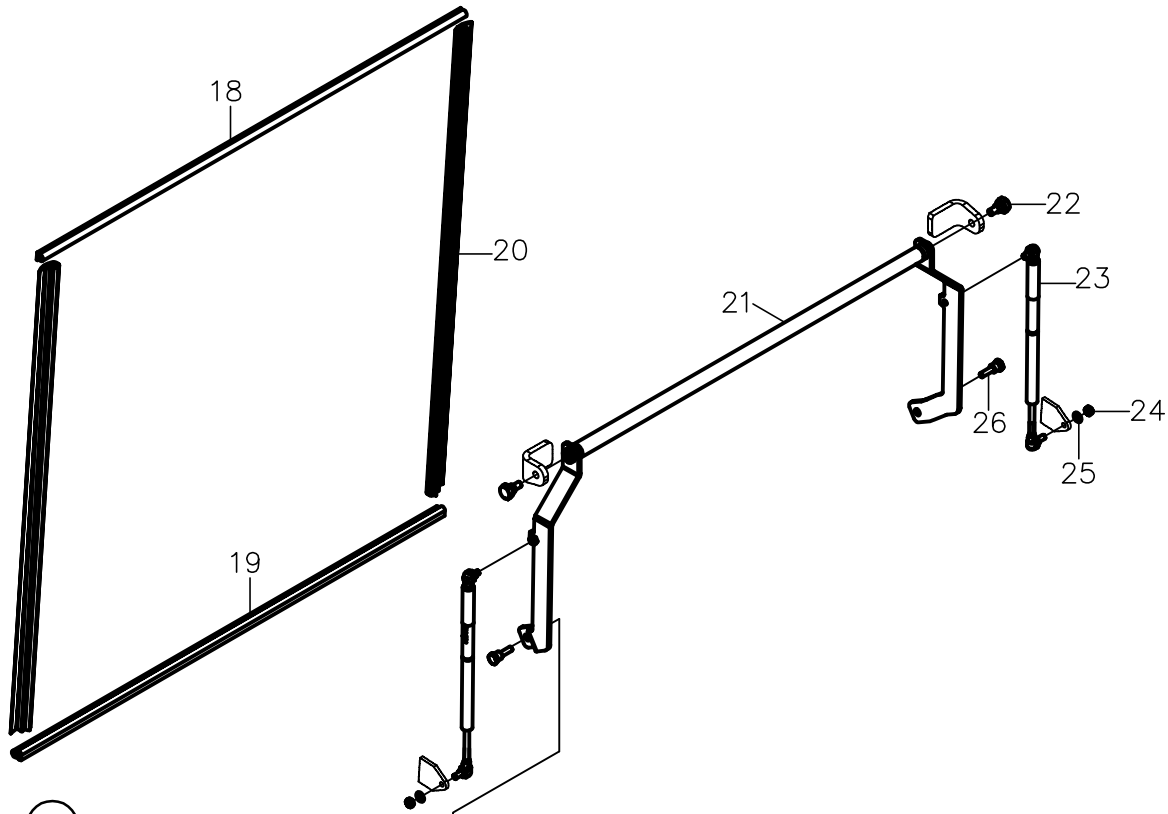


**CAMLAR, ÖN - ARKA
WINDOWS, FRONT - REAR**

NO NO	PARÇA NO PART NO	TANIM	DESCRIPTION	ADET QTY	S.K. S.C.	SERİ NO SERIAL NO	D.T. ICA	NOT NOTE
	* M116000200				RK			
1	M116000400	ARKA AÇILIR CAM KOMPL.	BACKHOE SIDE, REAR WINDOW COMPL.	1				
2	M116003100	ARKA AÇILIR CAM	BACKHOE SIDE, REAR WINDOW	1				
3	M116003800	ARKA ÇERÇEVE KOMPLE	FRAME, REAR WINDOW	1				
4	M116004600	KİLİT MEKANİZMA MONTAJI, SOL	LOCK MECHANISM MOUNTING, LEFT	1				
5	M116004400	YAY	SPRING	1				
6	M116004200	PİM	PIN	2				
7	M116004500	MEKANİZMA KOLU	MECHANISM LEVER	2				
8	N03/0100017	PUL	WASHER	2				
9	N01/0222090	CİVATA	BOLT	2				
10	N09/0404903	RULMAN	BEARING	2				
11	M116004700	MEKANİZMA DİLİ	MECHANISM PIN	2				
12	M116004000	KİLİT MEKANİZMA MONTAJI, SAĞ	LOCK MECHANISM MOUNTING, RIGHT	1				
13	F99/14898	BURÇ, YATAK	BUSHING	2				
14	M116003900	SVİÇ BAĞLANTI SACI	SWITCH MONTING PLATE	2				
15	554/00601	KONTAK SVİÇ 4' LÜ	SWITCH	1				
16	554/00611	KONTAK SVİÇ 4' LÜ	SWITCH	1				
17	M116000300	ÖN CAM	GLASS, FRONT	1				
18	816/00618	FİTİL, ARKA ÜST	STRIP, REAR UPPER	1				
19	S33/00620	ARKA CAM ALT FİTİLİ	STRIP, REAR LOWER	1				
20	S3300656	ARKA CAM FİTİLİ	STRIP	2				
21	M116001600	AÇILIR CAM MEKANİZMASI	GLASS REAR MECHANISM	1				
22	813/00165	CİVATA	BOLT	2				
23	M116001700	AMORTİSÖR	DAMPER	2				
24	N02/5900062	SOMUN M8	NUT M8	2				
25	N03/0100017	PUL M8	WASHER M8	2				
26	M116002500	CİVATA	BOLT	2				



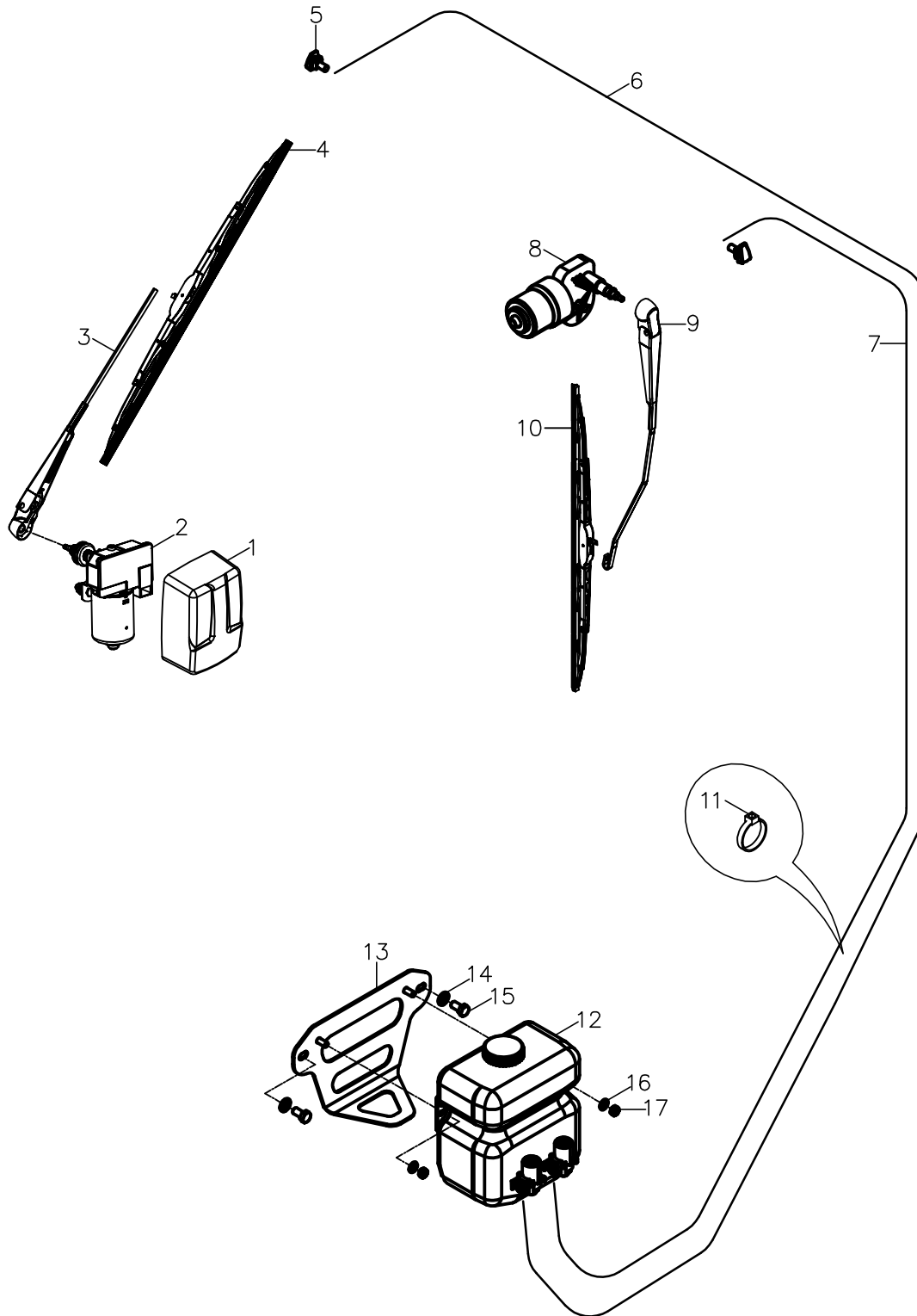
CAMLAR, ÖN- ARKA
WINDOWS, FRONT- REAR



**CAMLAR, ÖN - ARKA
WINDOWS, FRONT - REAR**

NO NO	PARÇA NO PART NO	TANIM	DESCRIPTION	ADET QTY	S.K. S.C.	SERİ NO SERIAL NO	D.T. ICA	NOT NOTE
	* M116000200							
1	M116000400	ARKA AÇILIR CAM KOMPL.	BACKHOE SIDE, REAR WINDOW COMPL.	1	RK			
2	M116003100	ARKA AÇILIR CAM	BACKHOE SIDE, REAR WINDOW	1				
3	M116003800	ARKA ÇERÇEVE KOMPLE	FRAME, REAR WINDOW	1				
4	M116005900	AÇILIR CAM MEKANİZMA BAĞLANTISI	REAR WINDOW MECHANISM BRACKET SLIDE	1				
5	M116004400	YAY	SPRING	2				
6	M116018600	KAPAK	COVER	1				
7	M116004500	MEKANİZMA KOLU	MECHANISM LEVER	2				
8	N03/0100017	PUL	WASHER	2				
9	N01/0222090	CİVATA	BOLT	2				
10	N09/0404903	RULMAN	BEARING	2				
11	M116004700	MEKANİZMA DİLİ	MECHANISM PIN	2				
12	N01/5870316	CİVATA M6x20	BOLT M6x20	12				
13	F99/14898	BURÇ, YATAK	BUSHING	2				
14	M116003900	SVİÇ BAĞLANTI SACI	SWITCH MONTING PLATE	2				
15	554/00601	KONTAK SVİÇ 4' LÜ	SWITCH	1				
16	554/00611	KONTAK SVİÇ 4' LÜ	SWITCH	1				
17	M116000300	ÖN CAM	GLASS, FRONT	1				
18	M11/6004900	FİTİL, ARKA ÜST	STRIP, REAR UPPER	1				
19	M116004800	ARKA CAM ALT FİTİLİ	STRIP, REAR LOWER	1				
20	S3300656	ARKA CAM FİTİLİ	STRIP	2				
21	M116001600	AÇILIR CAM MEKANİZMASI	GLASS REAR MECHANISM	1				
22	813/00165	CİVATA	BOLT	2				
23	M116001700	AMORTİSÖR	DAMPER	2				
24	N02/5900062	SOMUN M8	NUT M8	2				
25	N03/0100017	PUL M8	WASHER M8	2				
26	M116002500	CİVATA	BOLT	2				
27	S3300645	MEKANİZMA KOLU SAĞ	FRAME, HANDLE, RIGHT	1				
28	S3300640	MEKANİZMA KOLU SOL	FRAME, HANDLE, LEFT	1				
29	M116005700	KİTLEK, SOL	REAR WINDOW SLIDE LATCH, LEFT	1				
30	M116005800	KİTLEK, SAĞ	REAR WINDOW SLIDE LATCH, RIGHT	1				
31	M116016200	KAPAK	COVER	1				

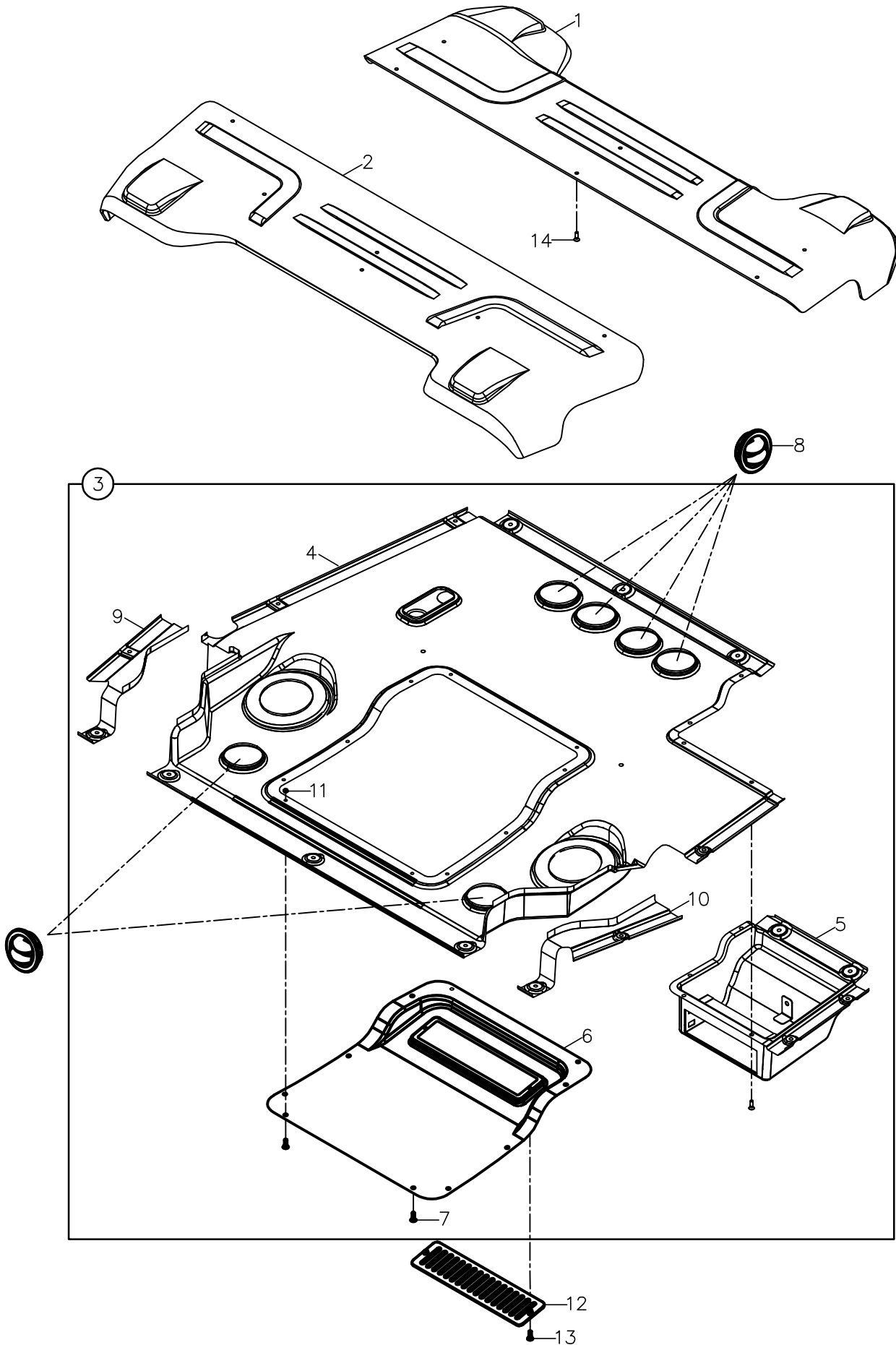
CAM S?LECEKLER? VE TES?SATLARI
WIPER SYSTEM



CAM SİLECEKLERİ VE TESİSATLARI
WIPER SYSTEM

NO NO	PARÇA NO PART NO	TANIM	DESCRIPTION	ADET QTY	S.K. S.C.	SERİ NO SERIAL NO	D.T. ICA	NOT NOTE
	M116000200 - M116103200				RK			
1	F99/06400	ARKA SİLECEK MOTORU KAPLAMASI	WIPER, REAR, COVER	1				
2	550/01027	SİLGİ MOTORU, ARKA	ELECTRIC MOTOR, WIPER, REAR	1				
3	M116005100	SİLGİ KOLU, ARKA	ARM, WIPER, REAR	1				
4	M116005200	SİLGEÇ, ARKA	WIPER, REAR	1				
5	F32/10565	SU FİSKİYE MEMESİ	WATER NOZZLE	2				
6	F32/10645	SEFFAF HORTUM, ARKA	HOSE, REAR WINDOW	1				
7	F32/10640	SEFFAF HORTUM, ÖN CAM	HOSE, FRONT WINDOW	1				
8	550/01220	SİLGİ MOTORU, ÖN	ELECTRIC MOTOR, WIPER, FRONT	1				
9	M116005000	SİLGİ KOLU, ÖN	ARM, WIPER, FRONT	1				
10	M116005300	SİLECEK, ÖN	WIPER, FRONT	1				
11	510/11700	KABLO BAGI	TIE, CABLE	2				
12	M116102600	SİLECEK SU DEPOSU	WATER TANK	1				
13	M116103000	CAM SUYU KABI BAGLANTI SACI	WATER TANK, PLATE	1				
14	N03/0810015	PUL M10	WASHER M10	2				
15	N01/0380578	CİVATA M10x20	BOLT M10x20	2				
16	N03/0100017	PUL M8	WASHER M8	2				
17	N02/5910062	SOMUN M8	NUT M8	2				

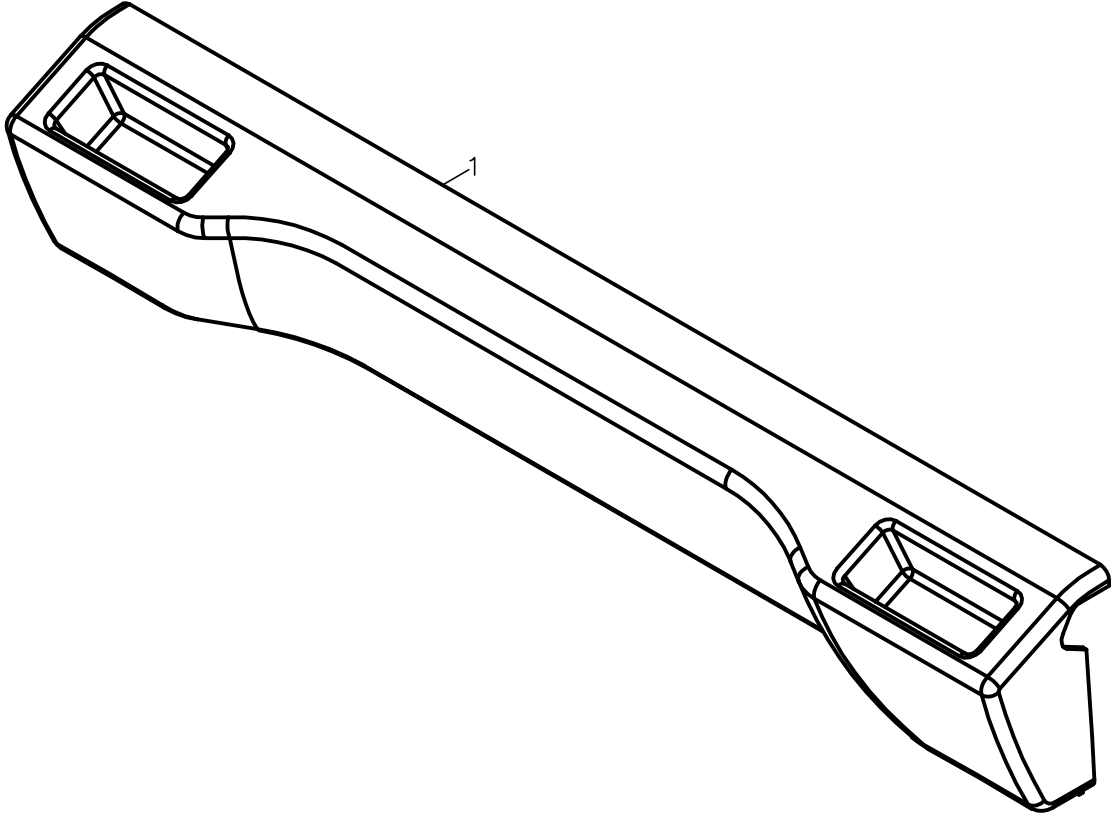
KAB?N, TAVAN KAPLAMALARI
CAB INTERIOR TRIMMING AND ROOF



KABİN, TAVAN KAPLAMALARI
CAB INTERIOR TRIMMING AND ROOF

NO NO	PARÇA NO PART NO	TANIM	DESCRIPTION	ADET QTY	S.K. S.C.	SERİ NO SERIAL NO	D.T. ICA	NOT NOTE
	* M116100100							
1	M116100700	ÖN FAR KAPLAMA	FRONT LIGHT, TRIM	1				
2	M116100800	ARKA FAR KAPLAMA	REAR LIGHT, TRIM	1				
3	M116100900	TAVAN KAPLAMA KOMPLE	ROOF TRIM ASSY.	1				
4	M116102000	İÇ TAVAN KAPLAMA	INTERIOR ROOF TRIM	1				
5	M116102800	TEYP KUTUSU	BOX,CASSETTE PLAYER	1				
6	M116101000	SERVİS KAPAĞI	COVER	1				
7	N04/9601886	VİDA M5x20	SCREW M5x20	14				
8	F25/20505	HAVA NOZULU	VENT, AIR	6				
9	M116102200	ARKA KAPAMA, SOL	REAR TRIM, LEFT	1				
10	M116102100	ARKA KAPAMA, SAĞ	REAR TRIM, RIGHT	1				
11	N02/3580146	SOMUN M5	NUT M5	14				
12	M116102300	MENFEZ SACI	PLATE, NOZZLE	1				
13	N04/9601886	VİDA M5x20	SCREW M5x20	2				
14	N04/9601886	VİDA M5x20	SCREW M5x20	12				

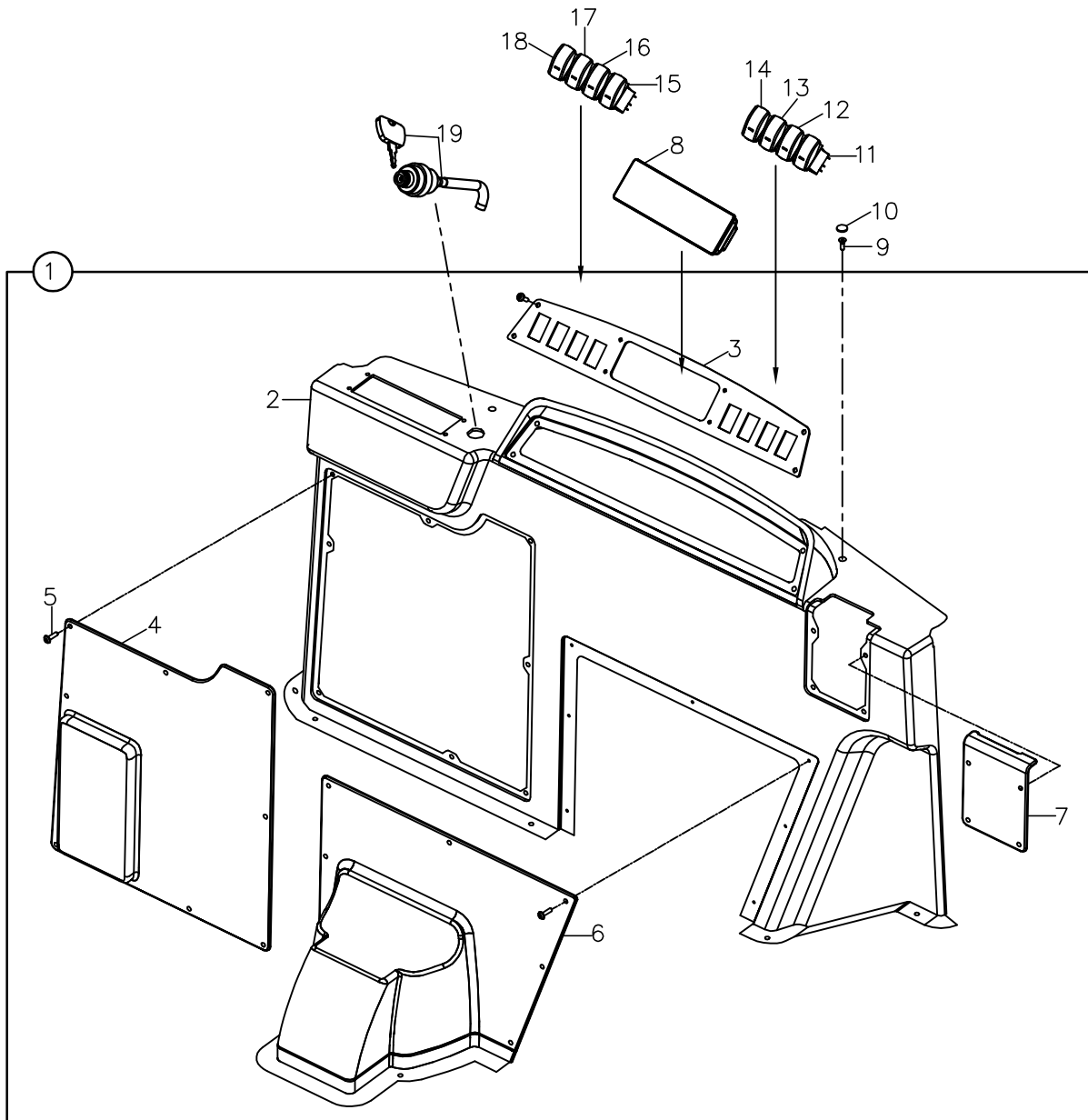
ÖN KAPLAMA
FRONT TRIM



**ÖN KAPLAMA
FRONT TRIM**

NO NO	PARÇA NO PART NO	TANIM	DESCRIPTION	ADET QTY	S.K. S.C.	SERİ NO SERIAL NO	D.T. ICA	NOT NOTE
1	* M116100100 M116100200	ÖN KAPLAMA	FRONT TRIM	1				

SA? ?Ç KAPLAMA
RIGHT INSTRUMENT PANEL

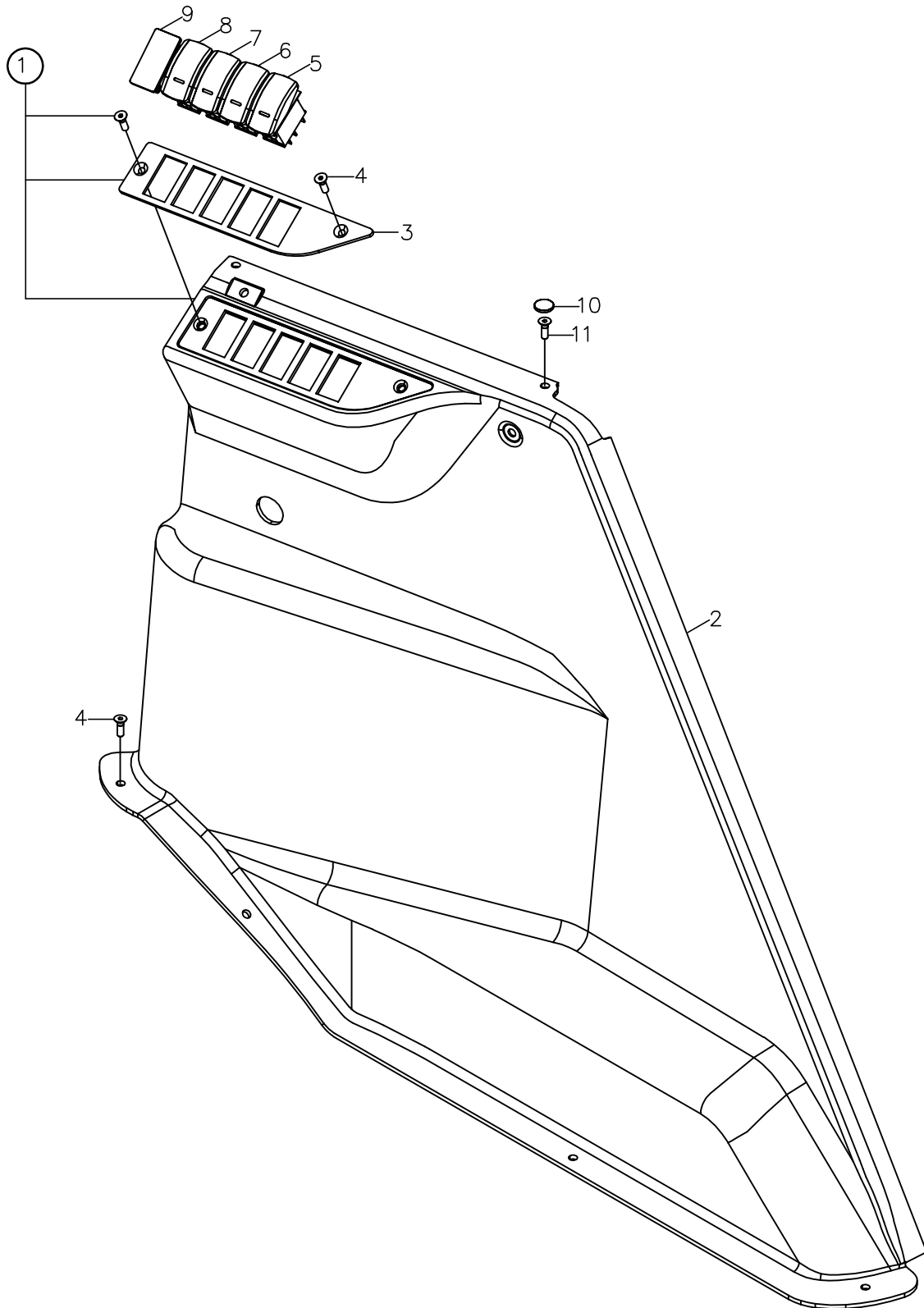


SAĞ İÇ KAPLAMA
RIGHT INSTRUMENT PANEL

NO NO	PARÇA NO PART NO	TANIM	DESCRIPTION	ADET QTY	S.K. S.C.	SERİ NO SERIAL NO	D.T. ICA	NOT NOTE
1	M116100300	SAĞ İÇ KAPLAMA KOMPLE	RIGHT INSTRUMENT PANEL ASSY	1				
2	M116101100	SAĞ İÇ ANA KAPLAMA	RIGHT INSTRUMENT PANEL	1				
3	M116101500	SAĞ TRİM GÖSTERGE SACI	SWITCH MOUNTING BRACKET	1				
4	M116101200	SAĞ TRİM ELEKTRİK SERVİS KAPAĞI	ELECTRICAL SERVICE COVER	1				
5	N04/9601886	VİDA M5x20	SCREW M5x20	23				
6	M116101300	SAĞ TRİM HORTUM SERVİS KAPAĞI	HYDRAULIC HOSE SERVICE COVER	1				
7	M116101400	SAĞ TRİM EL GAZI SERVİS KAPAĞI	HAND THROTTLE COVER	1				
8	M117402100	LCD EKTRAN	DASHBOARD, LCD	1				
9	N04/9602042	VİDA M6x16	SCREW M6x16	10				
10	F99/15090	VİDA KAPAĞI	COVER	10				
11A	520/20000	ANAHTAR, TEPE LAMBASI	SWITCH, BEACON	1				
11B	520/31000	DÜĞME, TEPE LAMBASI	BUTTON, BEACON	1				
12A	520/20600	ANAHTAR, ÇALIŞMA LAMBASI	SWITCH, REAR WORKING LIGHTS	1				
12B	520/31015	DÜĞME, ÇALIŞMA LAMBASI	BUTTON, REAR WORKING LIGHTS	1				
13A	520/20600	ANAHTAR, PARK - FAR	SWITCH, HEADLIGHT AND TAIL LIGHT	1				
13B	520/31070	DÜĞME, PARK - FAR	BUTTON, HEADLIGHT AND TAIL LIGHT	1				
14A	520/06500	ANAHTAR, ARKA SİLECEK	SWITCH, WIPER, REAR	1				
14B	520/31050	DÜĞME, ARKA SİLECEK	BUTTON, WIPER, REAR	1				
15A	520/06500	ANAHTAR, ÖN SİLECEK	SWITCH, WIPER, FRONT	1				
15B	520/31042	DÜĞME, ÖN SİLECEK	BUTTON, WIPER, FRONT	1				
16A	520/20000	ANAHTAR, 4'LÜ İKAZ	SWITCH, HAZARD WARNING LIGHT	1				
16B	520/31085	DÜĞME, 4'LÜ İKAZ	BUTTON, HAZARD WARNING LIGHT	1				
17A	520/21051	ANAHTAR+DÜĞME,PARK FRENİ	SWITCH+BUTTON, BRAKE	1				
18A	520/21061	ANAHTAR+DÜĞME, HYD-AUX	SWITCH+BUTTON, HYD-AUX	1				
19	520/08112	KONTAK ANAHTARI	STARTER SWITCH	1				



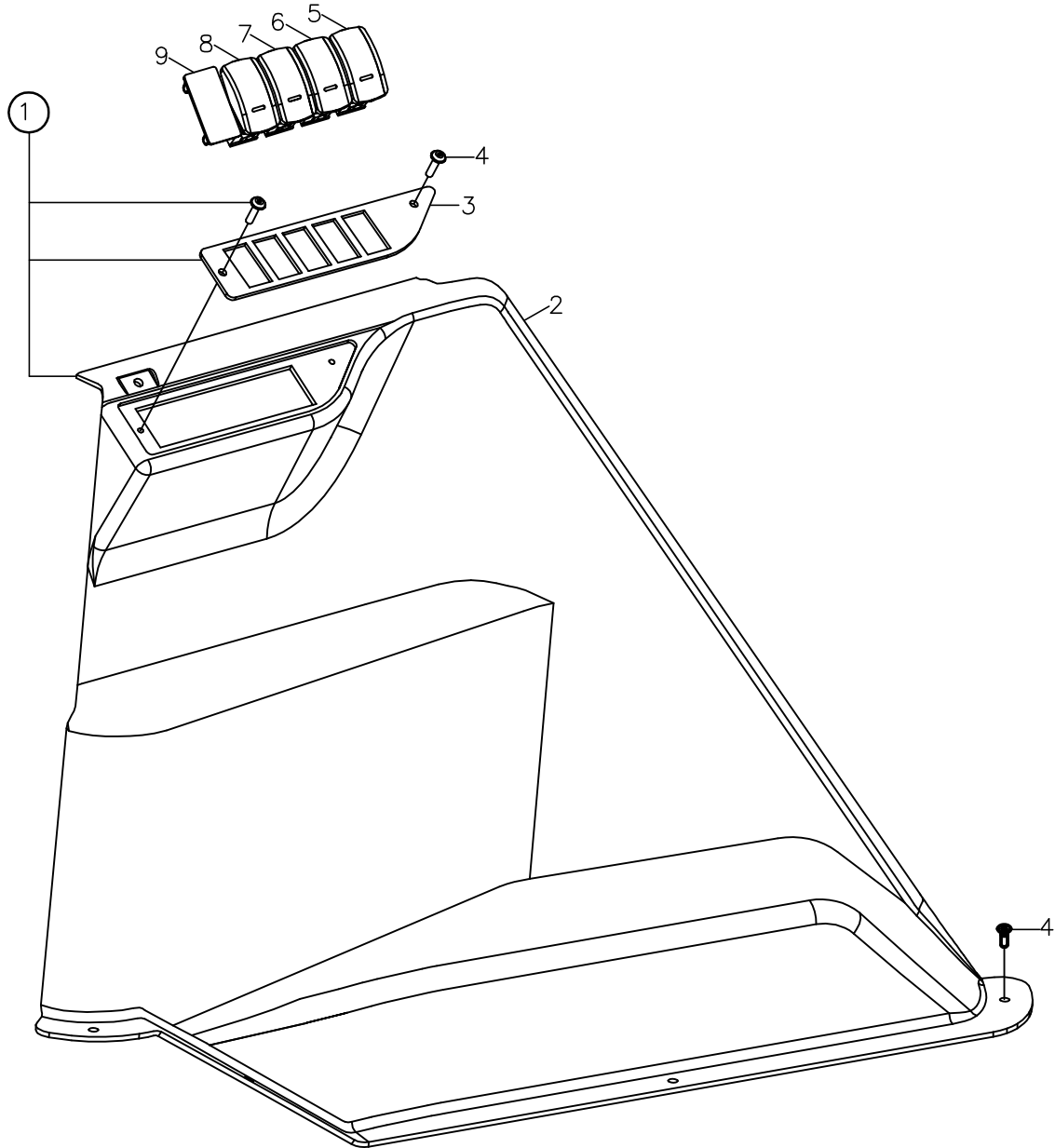
SOL ?Ç KAPLAMA
TRIM, LEFT TRIM



SOL İÇ KAPLAMA
INSIDE PLATED, LEFT

NO NO	PARÇA NO PART NO	TANIM	DESCRIPTION	ADET QTY	S.K. S.C.	SERİ NO SERIAL NO	D.T. ICA	NOT NOTE
1	M116102900	SOL İÇ KAPLAMA	INSIDE PLATED, LEFT	1				
2	M116101600	SOL İÇ KAPLAMA GÖVDESİ	INSIDE PLATED,BODY LEFT	1				
3	M116101700	SOL İÇ KAPLAMA SVİÇ SACI	INSIDE PLATED,SWITCH PLATE LEFT	1				
4	N04/9602042	VİDA M6x16	SCREW M6x16	2				
5A	520/30620	DÜĞME, JOYSTICK YÜRÜYÜŞ	BUTTON, JOYSTICK DRIVE	1				
5B	520/20000	ANAHTAR, JOYSTICK YÜRÜYÜŞ	SWITCH, JOYSTICK DRIVE	1				
6A	520/31060	DÜĞME, KIZAK SIKMA	BUTTON, HYDRAULIC CLAMP	1				
6B	520/20000	ANAHTAR, KIZAK SIKMA	SWITCH, HYDRAULIC CLAMP	1				
7A	520/31320	DÜĞME, SOL AYAK	BUTTON, LEFT STABILISER	1				
7B	520/21120	ANAHTAR, SOL AYAK	SWITCH, LEFT STABILISER	1				
8A	520/31310	DÜĞME, SAĞ AYAK	BUTTON,RIGHT STABILISER	1				
8B	520/21120	ANAHTAR, SAĞ AYAK	SWITCH, RIGHT	1				
9	520/36000	TABLA KAPAĞI	COVER	1				
10	F99/15090	VİDA KAPAĞI	COVER	6				
11	N04/9602042	VİDA M6x16	SCREW M6x16	6				

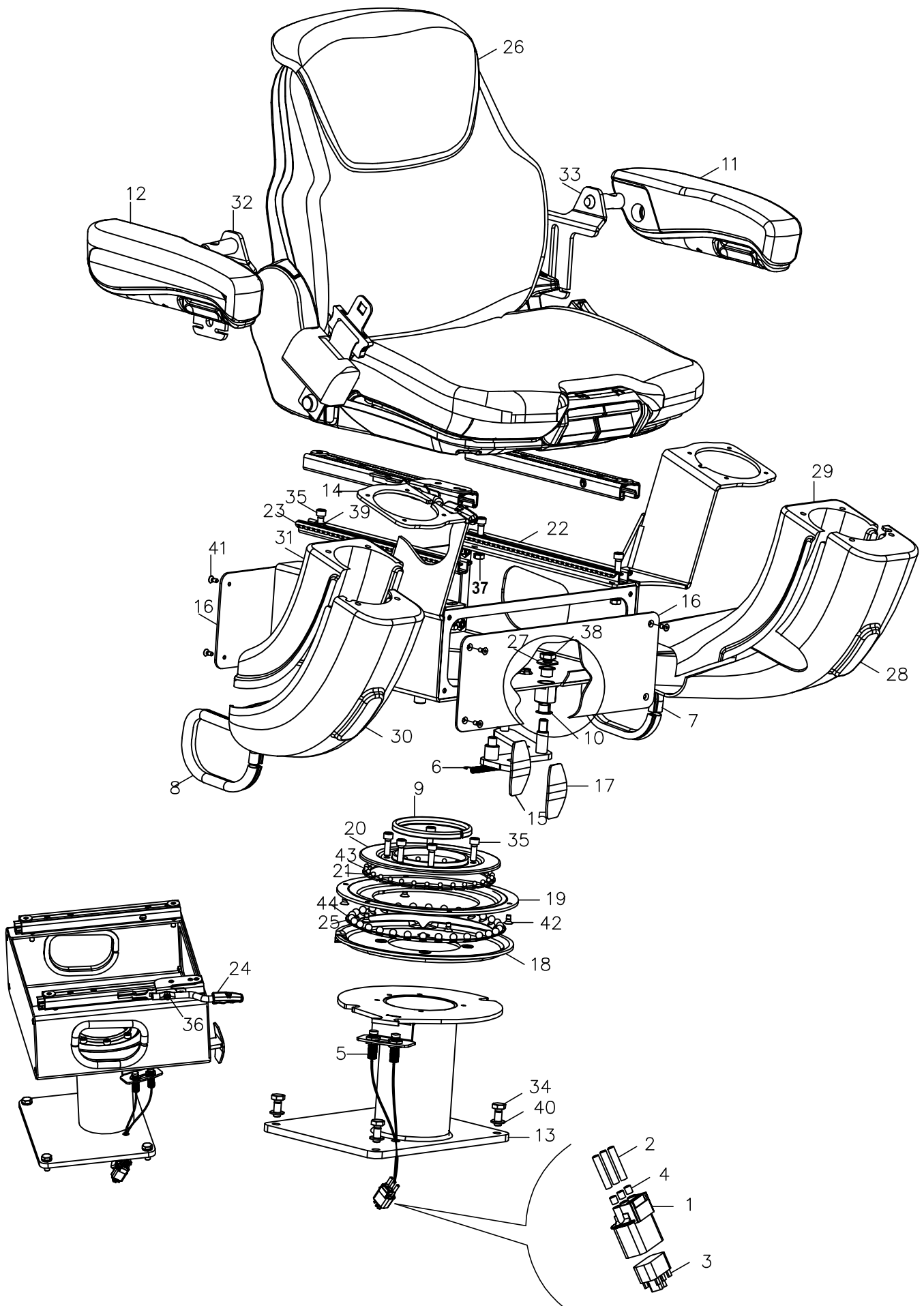
SOL ?Ç KAPLAMA
TRIM, LEFT TRIM



SOL İÇ KAPLAMA
INSIDE PLATED, LEFT

NO NO	PARÇA NO PART NO	TANIM	DESCRIPTION	ADET QTY	S.K. S.C.	SERİ NO SERIAL NO	D.T. ICA	NOT NOTE
	* M116100100							
1	M116102900	SOL İÇ KAPLAMA	INSIDE PLATED, LEFT	1				
2	M116101600	SOL İÇ KAPLAMA GÖVDESİ	INSIDE PLATED,BODY LEFT	1				
3	M116101700	SOL İÇ KAPLAMA SVİÇ SACI	INSIDE PLATED,SWITCH PLATE LEFT	1				
4	N04/9601886	VİDA M5x20	SCREW M5x20	6				
5A	520/30620	DÜĞME, JOYSTICK YÜRÜYÜŞ	BUTTON, JOYSTICK DRIVE	1				
5B	520/20000	ANAHTAR, JOYSTICK YÜRÜYÜŞ	SWITCH, JOYSTICK DRIVE	1				
6A	520/31060	DÜĞME, KIZAK SIKMA	BUTTON, HYDRAULIC CLAMP	1				
6B	520/20000	ANAHTAR, KIZAK SIKMA	SWITCH, HYDRAULIC CLAMP	1				
7A	520/31320	DÜĞME, SOL AYAK	BUTTON, LEFT STABILISER	1				
7B	520/21120	ANAHTAR, SOL AYAK	SWITCH, LEFT STABILISER	1				
8A	520/31310	DÜĞME, SAĞ AYAK	BUTTON,RIGHT STABILISER	1				
8B	520/21120	ANAHTAR, SAĞ AYAK	SWITCH, RIGHT	1				
9	520/36000	TABLA KAPAĞI	COVER	1				

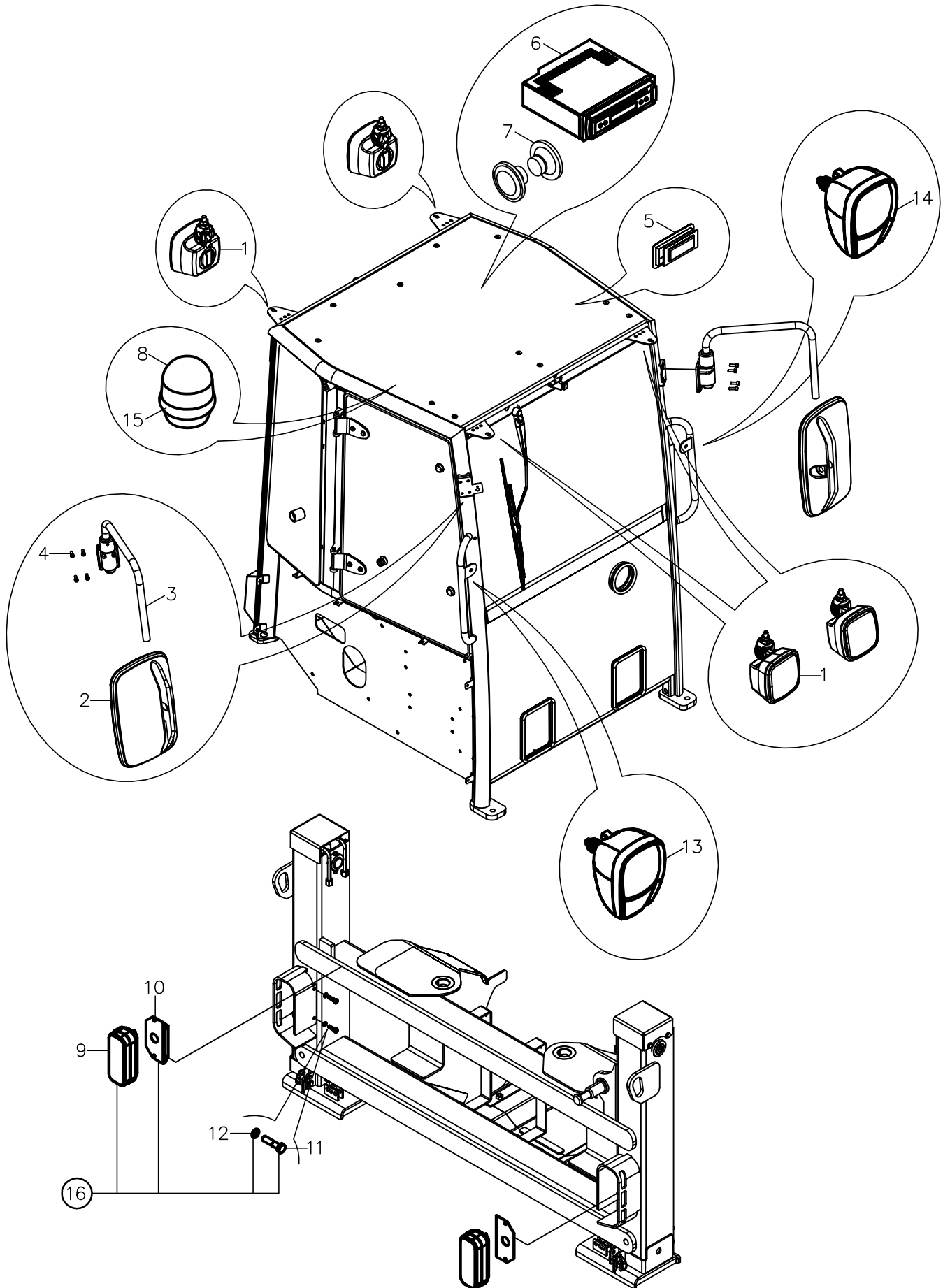
KOLTUK SEAT



**KOLTUK
SEAT**

NO NO	PARÇA NO PART NO	TANIM	DESCRIPTION	ADET QTY	S.K. S.C.	SERİ NO SERIAL NO	D.T. ICA	NOT NOTE
	* M116300100				RK			
1	506/07000	KONNEKTÖR, ÜÇLÜ ERKEK	HOUSING, 3 WAY PIN	2				
2	506/07001	KİLİT, ÜÇLÜ, ERKEK	RETAINER, 3 WAY PIN	6				
3	509/03000	KONNEKTÖR, ÜÇLÜ	HOUSING, 3 WAY PIN	2				
4	529/19000	TERMİNAL CONTASI	TERMINAL, RUBBER	6				
5	554/00033	SVIÇ, PROXSMITY	SWITCH, PROXSMITY	2				
6	807/02405	YAY	SPRING	1				
7	98Z010010	FİTİL, SOL	STRIP, RUBBER, LEFT	1				
8	98Z010010	FİTİL, SAĞ	STRIP, RUBBER, RIGHT	1				
9	H130135102	FİTİL	STRIP	1				
10	H906104200	AYAR SACI YATAĞI	BUSHING	2				
11	H906136000	KOLÇAK, SOL	ARMREST, LEFT	1				
12	H906136100	KOLÇAK, SAĞ	ARMREST, RIGHT	1				
13	M116300200	TABAN KOMPLE, KOLTUK	SEAT ROTATION DISC, BOTTON	1				
14	M116300300	TAŞIYICI KOMPLE	JOYSTICK MOUNTING PLATE	1				
15	M116300400	KİLİT KOLU KOMPLESİ	SEAT ROTATE LOCK	1				
16	M116301700	KAPAK SACI	COVER PLATE	2				
17	M116302700	KAUÇUK, TEKMELİK	RUBBER, GUARD	1				
18	M116303300	DÖNER ADAPTÖR ALT PARÇASI	SEAT ROTATION DISC, BOTTON	1				
19	M116303400	DÖNER ADAPTÖR ÜST PARÇASI	SEAT ROTATION DISC, UPPER	1				
20	M116303600	DÖNER PARÇA	SEAT ROTATION DISC	1				
21	M116303700	BİLYE TUTUCU, DÖNER ADAPTÖR	BALL CARRYING DISC	1				
22	M116303800	KIZAK, SOL	RAIL SLIDING, LEFT	1				
23	M116303900	KIZAK, SAĞ	RAIL SLIDING, RIGHT	1				
24	M116304100	TUTAMAK	HANDLE	1				
25	M116304200	BİLYE TUTUCU, DÖNER ADAPTÖR	BALL CARRYING DISC	1				
26	M116304300	KOLTUK	SEAT	1				
27	M116304400	POLYAMİD	POLYAMIDE	1				
28	M116310100	KAPLAMA, SOL ÖN, JOYSTICK	TRIM, FRONT, LEFT	1				
29	M116310200	KAPLAMA, SOL ARKA, JOYSTICK	TRIM, REAR, LEFT	1				
30	M116310300	KAPLAMA, SAĞ ÖN, JOYSTICK	TRIM, FRONT, RIGHT	1				
31	M116310400	KAPLAMA, SAĞ ARKA, JOYSTICK	TRIM, REAR, RIGHT	1				
32	M116310600	KOLÇAK SACI, SAĞ	ARM REST BRACKET, RIGHT	1				
33	M116310700	KOLÇAK SACI, SOL	ARM REST BRACKET, LEFT	1				
34	N01/0232462	CİVATA M10x25	BOLT M10x25	4				
35	N01/5890458	CİVATA M8x20	BOLT M8x20	9				
36	N02/5910050	SOMUN M6	NUT M6	1				
37	N02/5910062	SOMUN M8	NUT M8	4				
38	N02/5910122	SOMUN M12	NUT M12	1				
39	N03/0100017	PUL M8	WASHER M8	4				
40	N03/0100020	PUL M10	WASHER M10	4				
41	N04/4061238	VİDA M5x10	SCREW M5x10	8				
42	N04/4320350	VİDA M6x12	SCREW M5x12	6				
43	N09/9001060	BİLYA	BALL	30				
44	N09/9001100	BİLYA	BALL	30				

FAR, LAMBA VE AKSESUARLAR
LIGHTS AND ACCESSORIES



**FAR , LAMBA VE AKSESUARLAR
LIGHTS AND ACCESORIES**

NO NO	PARÇA NO PART NO	TANIM	DESCRIPTION	ADET QTY	S.K. S.C.	SERİ NO SERIAL NO	D.T. ICA	NOT NOTE
	* M116000200				RK			
1	526/04040	ÇALIŞMA LAMBASI	WORKING LIGHT	4				
2	M116001200	DİKİZ AYNASI	REARVIEW MIRROR	2				
3	M116001100	AYNA KOLU	ARM, MIRROR	2				
4	N01/5890170	CİVATA M5x16	BOLT M5x16	8				
5A	526/07520	LAMBA, İÇ AYDINLATMA	LIGHT, CAB INTERIOR	1				
5B	532/08805	AMPUL, İÇ AYDINLATMA	BULB, CAB INTERIOR	1				
6	F99/25250	CD PLAYER	CD PLAYER	1				
7	F99/25256	HOPARLÖR	SPEAKER	2				
8	526/03130	TEPE İKAZ LAMBASI	BEACON	1				
9	526/02610	STOP LAMBASI	STOP LIGHT	1				
9A	506/99300	KONNEKTÖR, 4 LÜ ERKEK	HOUSING, 4 WAY PIN	1				
9B	509/13002	TERMİNAL, DIŞI	TERMINAL FEMALE	1				
10	M117401400	BAĞLANTI BRAKETİ	BRACKET	1				
11	N01/5890314	CİVATA M6x20	BOLT M6x20	2				
12	N03/0020004	PUL	WASHER	2				
13	526/00226	FAR, ÖN, YAN, SOL	HEADLIGHT, FRONT, LEFT	1				
14	526/00225	FAR, ÖN, YAN, SAĞ	HEADLIGHT, FRONT, RIGHT	1				
15	553/01000	PRİZ	SOCKET	1				
16	M117401500	STOP LAMBASI, KOMPLE	STOP LIGHT, ASSY.	2				

B

**GÖVDE
BODY PARTS**

B1

**GÖVDE MONTAJLARI
BODY PARTS MOUNTINGS**

B2

**KABİN
OPERATOR CAB**

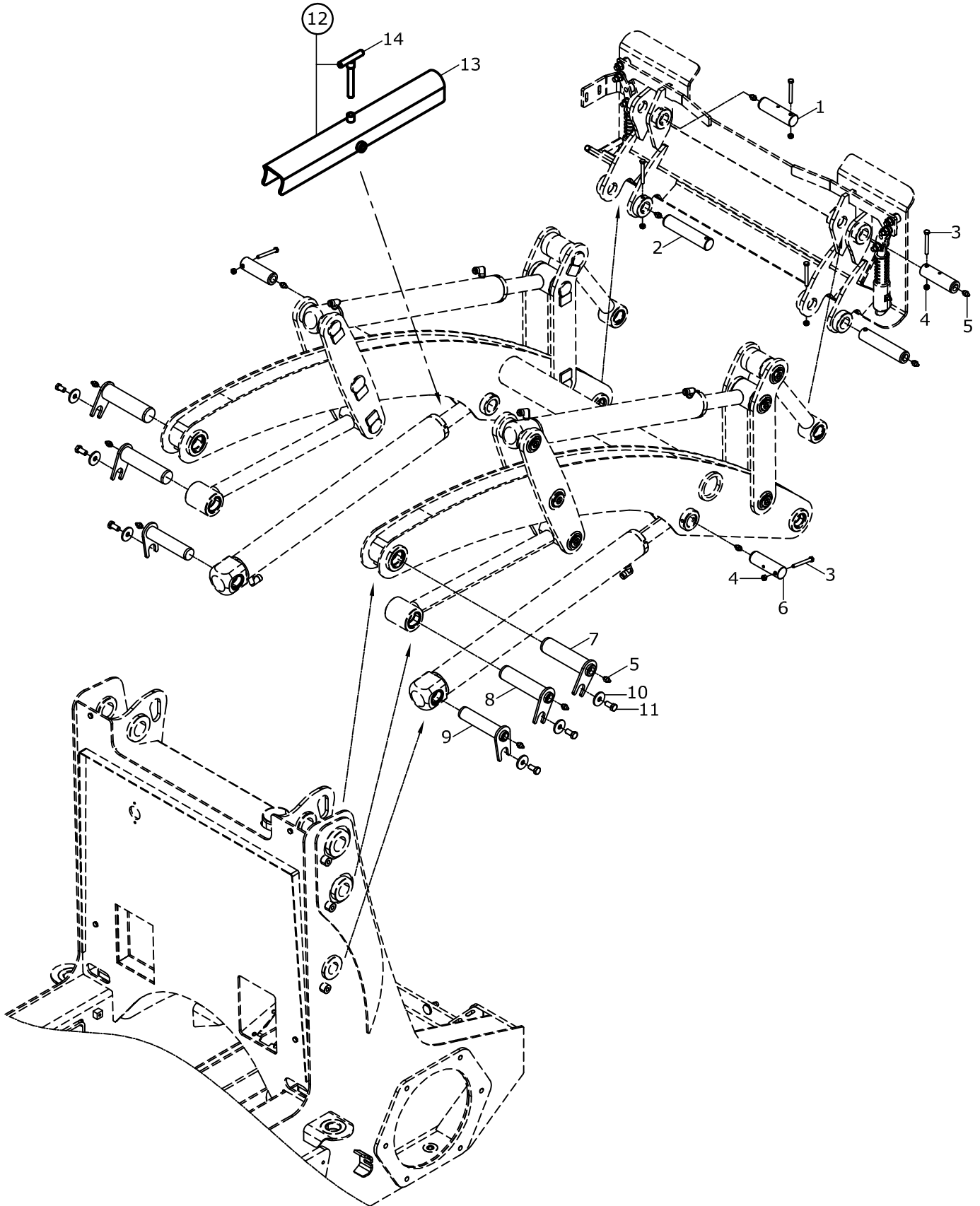
B3

**YÜKLEYİCİ
LOADER**

B4

**KAZICI
BACKHOE**

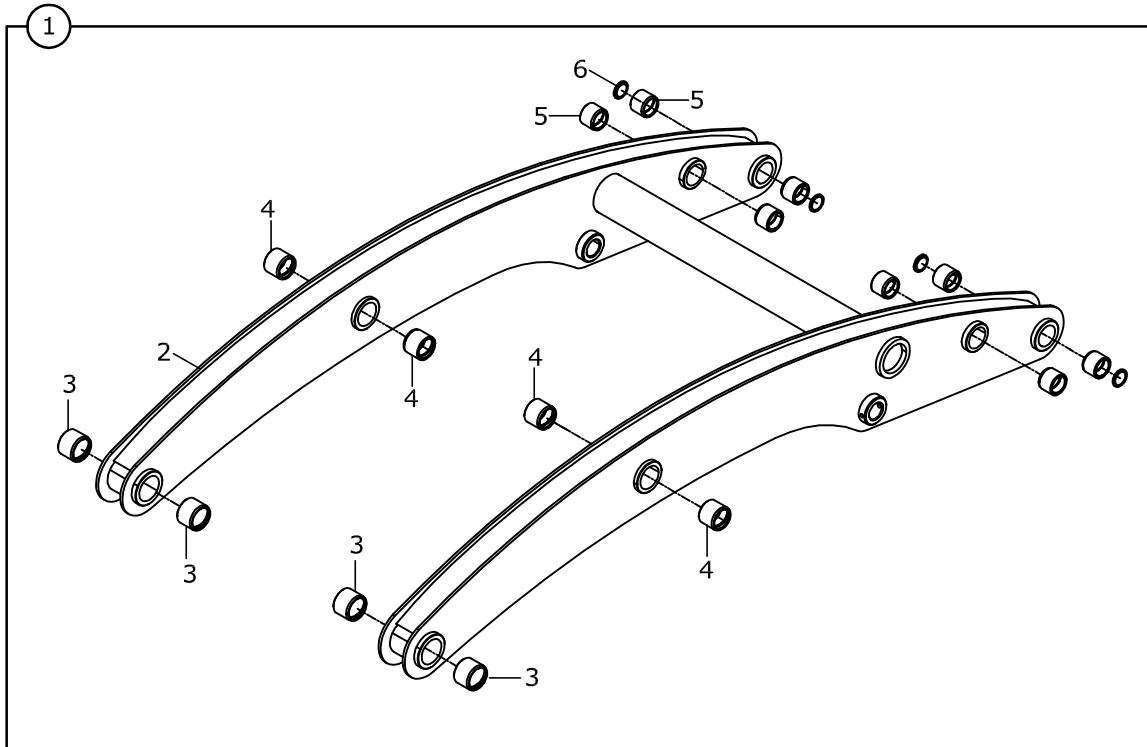
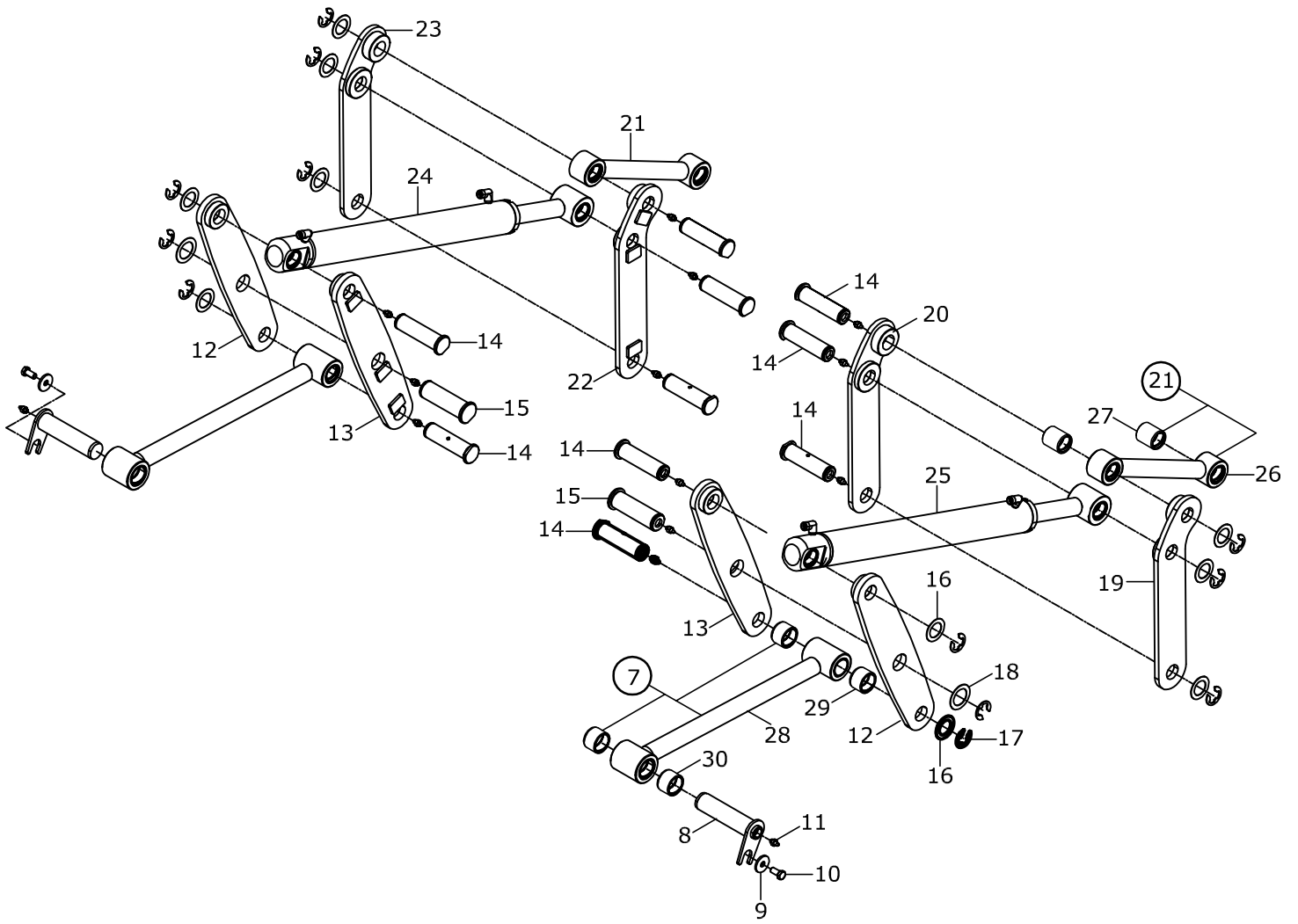
YÜKLEYİCİ ATAŞMAN BAĞLANTISI
LOADER ATTACHMENT MOUNTING



YÜKLEYİCİ ATAŞMAN BAĞLANTISI
LOADER ATTACHMENT MOUNTING

NO NO	PARÇA NO PART NO	TANIM	DESCRIPTION	ADET QTY	S.K. S.C.	SERİ NO SERIAL NO	D.T. ICA	NOT NOTE
	* M111300100							
1	801/04009	PİM	PIN	2				
2	801/04003	PİM	PIN	2				
3	N01/0380470	CİVATA M8x70	BOLT M8x70	6				
4	N02/5900062	SOMUN M8	NUT M8	6				
5	N08/1210020	GRESÖRLÜK	GREASE NIPPLE	12				
6	801/04001	PİM	PIN	2				
7	811/03050	PİM	PIN	2				
8	811/03055	PİM	PIN	2				
9	811/03045	PİM	PIN	2				
10	805/00460	PUL	WASHER	6				
11	N01/0232822	CİVATA M12x25	BOLT M12x25	6				
12	M111305800	ÖN KOL EMNİYET SACI KOMPLE	SAFETY STRUT, LOADER, ARMS, ASSY.	1				
13	M111305900	ÖN KOL EMNİYET SACI	SAFETY STRUT, LOADER, ARMS	1				
14	M111306300	ÖN KOL EMNİYET SACI CİVATASI	SAFETY STRUT, LOADER, ARMS, SAFETY BOLT	1				

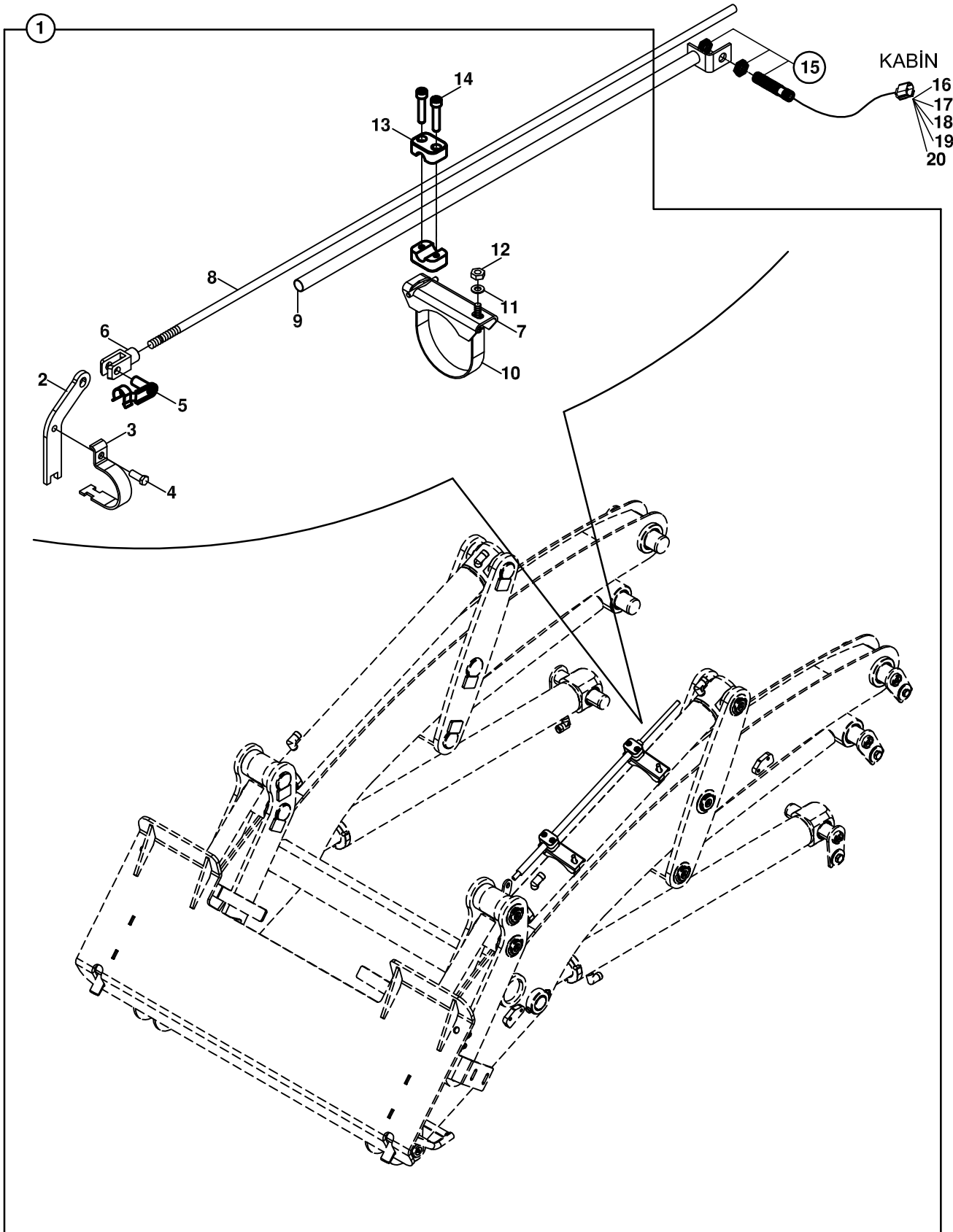
YÜKLEYİCİ MONTAJI
LOADER MOUNTING



YÜKLEYİCİ MONTAJI
LOADER MOUNTING

NO NO	PARÇA NO PART NO	TANIM	DESCRIPTION	ADET QTY	S.K. S.C.	SERİ NO SERIAL NO	D.T. ICA	NOT NOTE
	* M111300100							
1	M111301100	YÜKLEYİCİ GÖVDESİ MONTAJI	LOADER ARM ASSY	1				
2	M111300200	KOL, YÜKLEYİCİ	ARM, LOADER	1				
3	802/01120	PİM	PIN	4				
4	802/01150	PİM	PIN	4				
5	802/01032	BURÇ	BUSHING	8				
6	N10/5354540	TOZ KEÇESİ	SEAL	4				
7	M111301600	MEKANİZMA KOLU, YÜKLEYİCİ	MECHANISM, ARM, LOADER ASSEMBLY	2				
8	811/03055	PİM	PIN	2				
9	805/00460	PUL	WASHER	2				
10	N01/0232822	CİVATA M8x25	BOLT M8x25	2				
11	N08/1210020	GRESÖRLÜK	GREASE NIPPLE	14				
12	M111301200	MEKANİZMA KOLU, YÜKLEYİCİ, ARKA DIŞ	MECHANISM, ARM, LOADER, REAR EXTERNAL	2				
13	M111301400	MEKANİZMA KOLU, YÜKLEYİCİ, ARKA İÇ	MECHANISM, ARM, LOADER, REAR INTERNAL	2				
14	801/05018	PİM	PIN	10				
15	805/05085	PİM	PIN	2				
16	M111305300	PUL	WASHER	10				
17	N05/0760018	SEGMAN	RETAINING RING	12				
18	M111305000	PUL	WASHER	2				
19	M111302200	MEKANİZMA KOLU, YÜKLEYİCİ, ÖN, SAĞ DIŞ	MECHANISM, ARM, LOADER FRONT RIGHT EXTERNAL	1				
20	M111302300	MEKANİZMA KOLU, YÜKLEYİCİ, ÖN, SAĞ İÇ	MECHANISM, ARM, LOADER FRONT RIGHT INTERNAL	1				
21	M111302400	MEKANİZMA KOLU	LINK	2				
22	M111302100	MEKANİZMA KOLU, YÜKLEYİCİ, ÖN, SOL İÇ	MECHANISM, ARM, LOADER FRONT LEFT INTERNAL	1				
23	M111301900	MEKANİZMA KOLU, YÜKLEYİCİ, ÖN, SOL DIŞ	MECHANISM, ARM, LOADER FRONT LEFT EXTERNAL	1				
24		SİLİNDİR, SOL, DEVİRİCİ	RAM, LEFT, SHOVEL	1				E3-2-2
25		SİLİNDİR, SAĞ, DEVİRİCİ	RAM, RIGHT, SHOVEL	1				E3-2-1
26	M111302500	MEKANİZMA KOLU	LINK	2				
27	802/01034	BURÇ	BUSHING	2				
28	M111301700	MEKANİZMA KOLU, YÜKLEYİCİ	MECHANISM, ARM, LOADER	2				
29	802/01032	BURÇ	BUSHING	2				
30	802/01147	BURÇ	BUSHING	2				

KEPÇE KONUM MEKANİZMASI
SHOVEL LEVELLING MECHANISM



KEPÇE KONUM MEKANİZMASI
SHOVEL LEVELLING MECHANISM

NO NO	PARÇA NO PART NO	TANIM	DESCRIPTION	ADET QTY	S.K. S.C.	SERİ NO SERIAL NO	D.T. ICA	NOT NOTE
	* M111300100, M116300100							
1	018/43070	KEPÇE KONUM	SHOVEL LEVELLING	1				
2	M111306600	KELEPÇE SACI	CLAMP PLATE	1				
3	M111306700	KELEPÇE SACI	CLAMP PLATE	1				
4	N01/0232138	CİVATA M8x25	BOLT M8x25	1				
5	M111306800	MEKANİZMA BORUSU	MECHANISM PIPE	1				
6	F99/60051	MAFSAL ÇATALI	CLEVIS	1				
7	M111307500	KELEPÇE, ÜST	CLAMP, UPPER	1				
8	M111306900	MEKANİZMA ÇUBUĞU	MECHANISM BAR	1				
9	M111306800	SWİÇ BAĞLANTI BORUSU	PIPE, SWITCH MOUNTING	1				
10	M111307400	KELEPÇE, ALT	CLAMP, BOTTOM	2				
11	N03/0100017	PUL M8	WASHER M8	2				
12	N02/5910062	SOMUN M8	NUT M8	2				
13	N07/2016003	KELEPÇE GÖVDESİ	CLAMP BODY	4				
14	N01/5870350	CİVATA M6x30	BOLT M6x30	4				
15	554/00033	SWİÇ , PROXSMITY	SWITCH, PROXSMITY	1	OP			
16	506/07000	KONNEKTÖR, 3'LÜ ERKEK	HOUSING, 3 WAY PIN	1				
17	545/24100	KONDUIT	CONDUIT	2,5m				
18	506/07001	KİLİT, ÜÇLÜ,ERKEK	RETAINER, 3 WAY PIN	1				
19	509/03000	TERMİNAL, ERKEK	TERMINAL, MALE	3				
20	529/19000	TERMİNAL CONTASI	TERMINAL, RUBBER	3				

B

**GÖVDE
BODY PARTS**

B1

**GÖVDE MONTAJLARI
BODY PARTS MOUNTINGS**

B2

**KABİN
OPERATOR CAB**

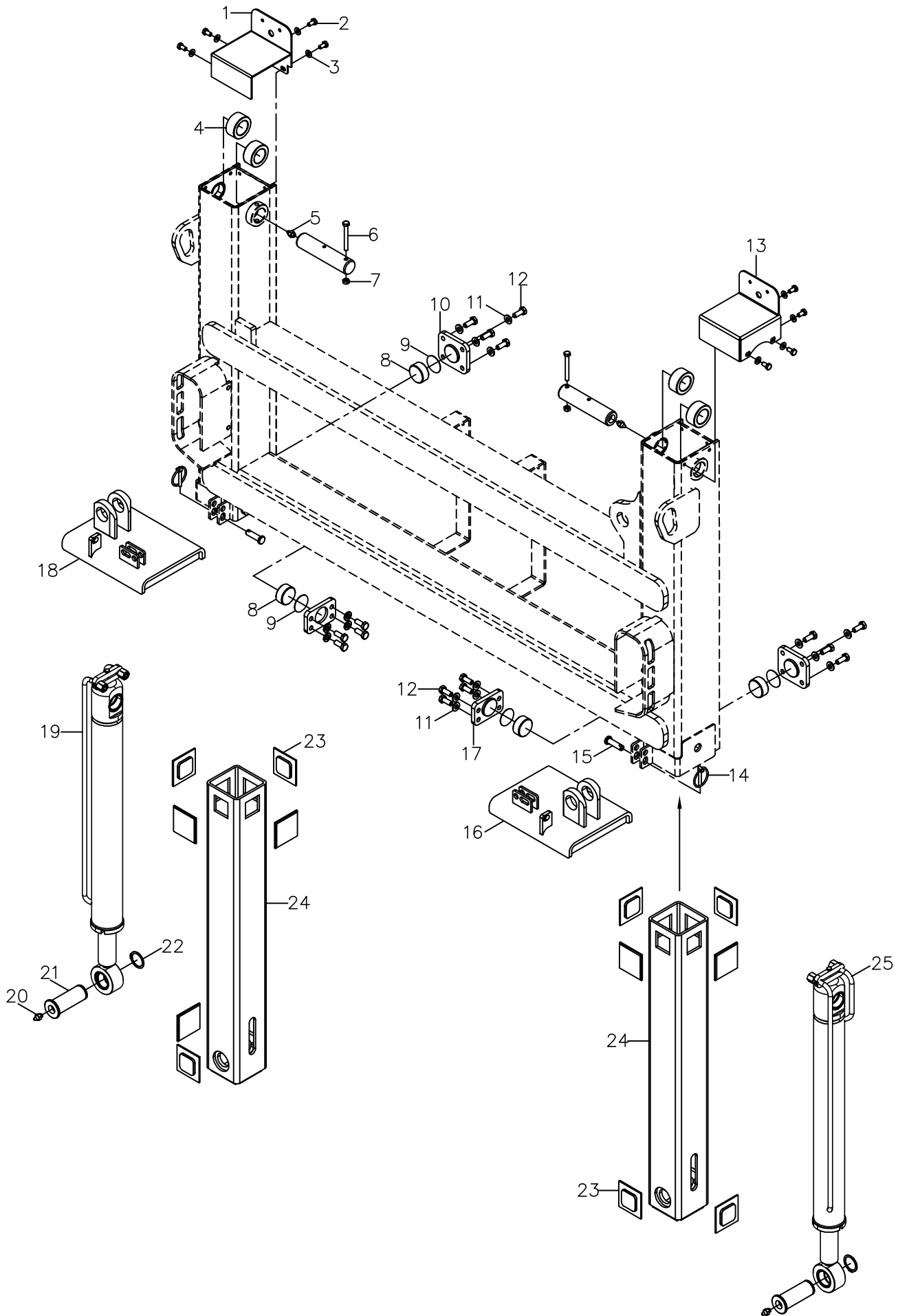
B3

**YÜKLEYİCİ
LOADER**

B4

**KAZICI
BACKHOE**

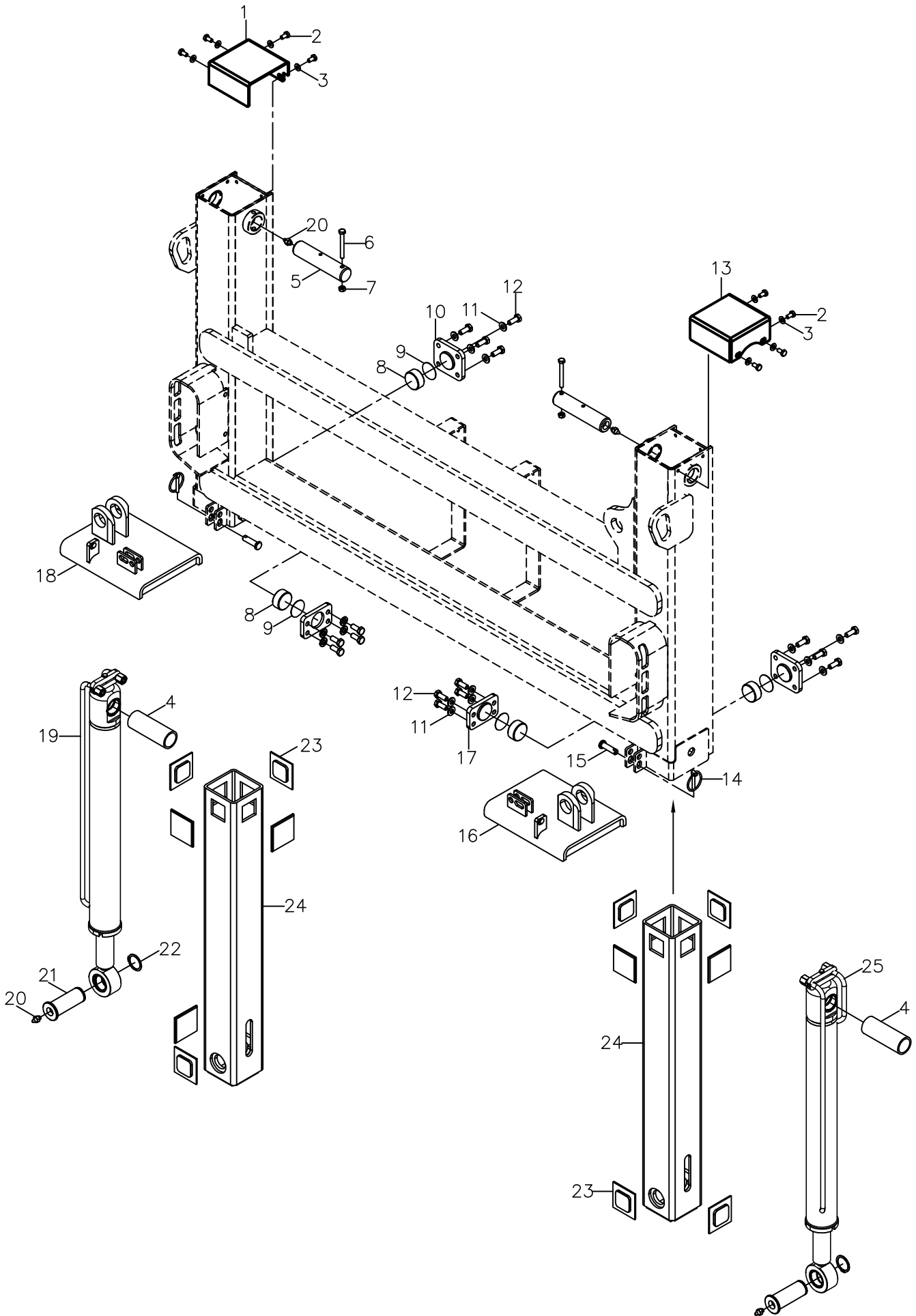
AYAK, KIZAK
STABILISER, SIDESHIFT FRAME



AYAK, KIZAK
STABILISER, SIDESHIFT

NO NO	PARÇA NO PART NO	TANIM	DESCRIPTION	ADET QTY	S.K. S.C.	SERİ NO SERIAL NO	D.T. ICA	NOT NOTE
	* M114100100							
1	M114110200	STOP LAMBASI BAGL.	PLATE	1				
2	N01/0232078	CİVATA M8x15	BOLT M8x15	8				
3	N03/0100017	PUL M8	WASHER M8	8				
4	M114109800	AYAK SİLİNDİRİ ÜST BURCU	BUSH	4				
5	801/04002	PİM	PIN	2				
6	N01/0380470	CİVATA M8x70	BOLT M8x70	2				
7	N02/5900062	SOMUN M8	NUT M8	2				
8	M114109400	SÜRTÜNME PLAKASI	FRICION PLATE	4				
9	M114112900	ŞİM	SHIM	4				
10	M114109500	İTİCİ KAPAK	COVER	2				
11	N03/0810015	PUL	WASHER	16				
12	N01/0232462	CİVATA M10x25	BOLT M10x25	16				
13	M114109900	STOP LAMBASI BAGL.	PLATE	1				
14	N06/3006042	HALKALI PİM	LINCH PIN	2				
15	801/10030	PİM	PIN	2				
16	M114108300	PAPUÇ	FOOT	1				
17	M114110400	İTİCİ KAPAK	COVER	2				
18	M114109300	PAPUÇ	FOOT	1				
19		AYAK SİLİNDİRİ (SOL)	RAM, STABILISER, (LEFT)	1				☞ E3-4-2
20	N08/1210020	GRESÖRLÜK	GREASE NIPPLE	4				
21	801/05017	PİM	PIN	2				
22	N05/0020064	SEGMAN	RETAINING RING	2				
23	M114107500	SÜRTÜNME PLAKASI	FRICION PLATE	12				
24	M114107800	İÇ AYAK	LEG,STABILISER, INNER	2				
25		AYAK SİLİNDİRİ (SAĞ)	RAM, STABILISER, (RIGHT)	1				☞ E3-4-1

AYAK, KIZAK
STABILISER, SIDESHIFT FRAME

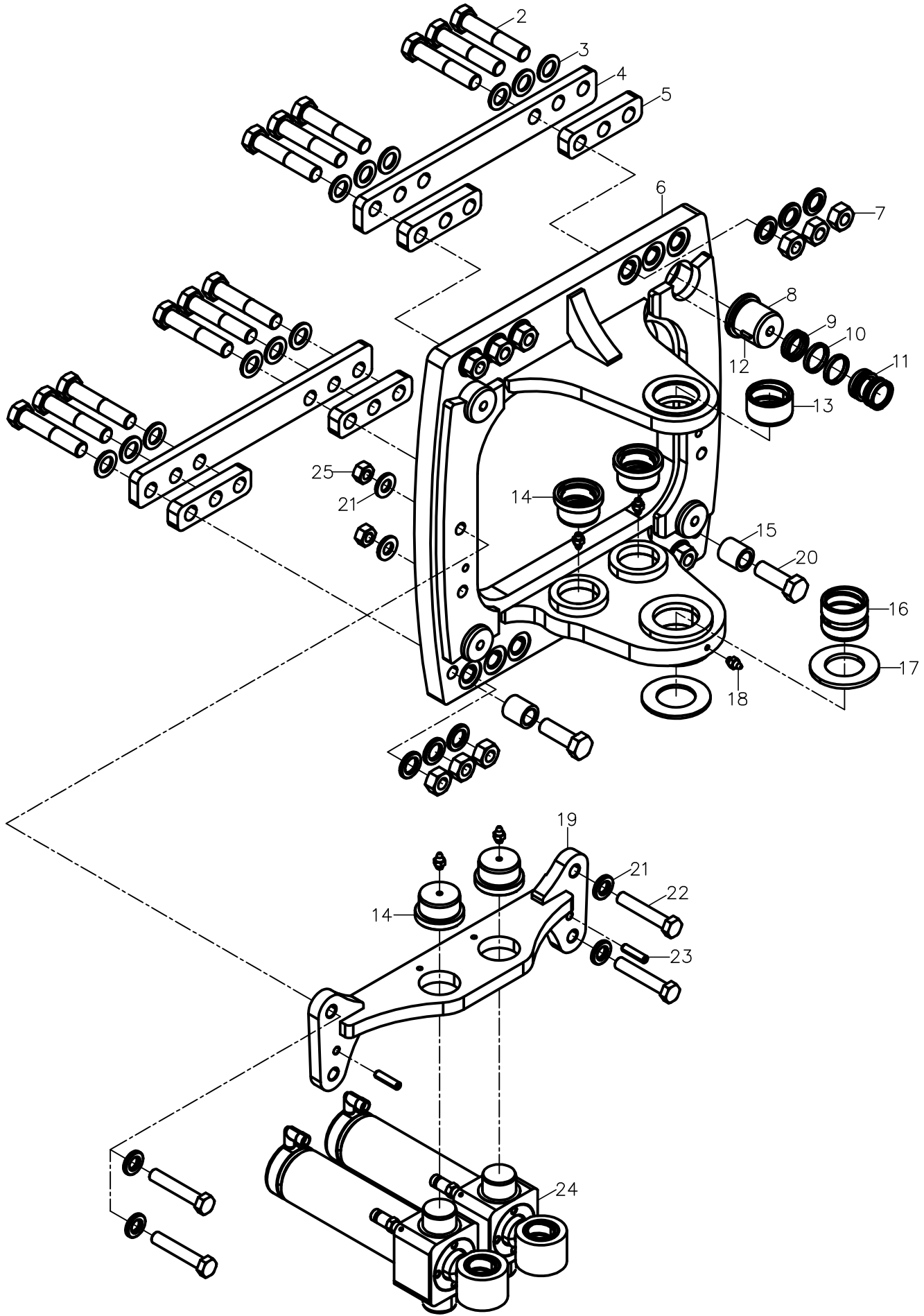


AYAK, KIZAK
STABILISER, SIDESHIFT

NO NO	PARÇA NO PART NO	TANIM	DESCRIPTION	ADET QTY	S.K. S.C.	SERİ NO SERIAL NO	D.T. ICA	NOT NOTE
	* M114100100							
1	M114109901	STOP LAMBASI BAGL.	PLATE	1				
2	N01/0232078	CİVATA M8x15	BOLT M8x15	8				
3	N03/0100017	PUL M8	WASHER M8	8				
4	802/01603	AYAK SİLİNDİRİ ÜST BURCU	BUSH	2				
5	801/04002	PİM	PIN	2				
6	N01/0380470	CİVATA M8x70	BOLT M8x70	2				
7	N02/5900062	SOMUN M8	NUT M8	2				
8	M114109400	SÜRTÜNME PLAKASI	FRICITION PLATE	4				
9	M114112900	ŞİM	SHIM	4				
10	M114109500	İTİCİ KAPAK	COVER	2				
11	N03/0810015	PUL	WASHER	16				
12	N01/0232462	CİVATA M10x25	BOLT M10x25	16				
13	M114110001	STOP LAMBASI BAGL.	PLATE	1				
14	N06/3006042	HALKALI PİM	LINCH PIN	2				
15	801/10030	PİM	PIN	2				
16	M114108300	PAPUÇ	FOOT	1				
17	M114110400	İTİCİ KAPAK	COVER	2				
18	M114109300	PAPUÇ	FOOT	1				
19		AYAK SİLİNDİRİ (SOL)	RAM, STABILISER, (LEFT)	1				☞ E3-4-2
20	N08/1210020	GRESÖRLÜK	GREASE NIPPLE	4				
21	801/05017	PİM	PIN	2				
22	N05/0020064	SEGMAN	RETAINING RING	2				
23	M114107500	SÜRTÜNME PLAKASI	FRICITION PLATE	12				
24	M114107800	İÇ AYAK	LEG,STABILISER, INNER	2				
25		AYAK SİLİNDİRİ (SAĞ)	RAM, STABILISER, (RIGHT)	1				☞ E3-4-1

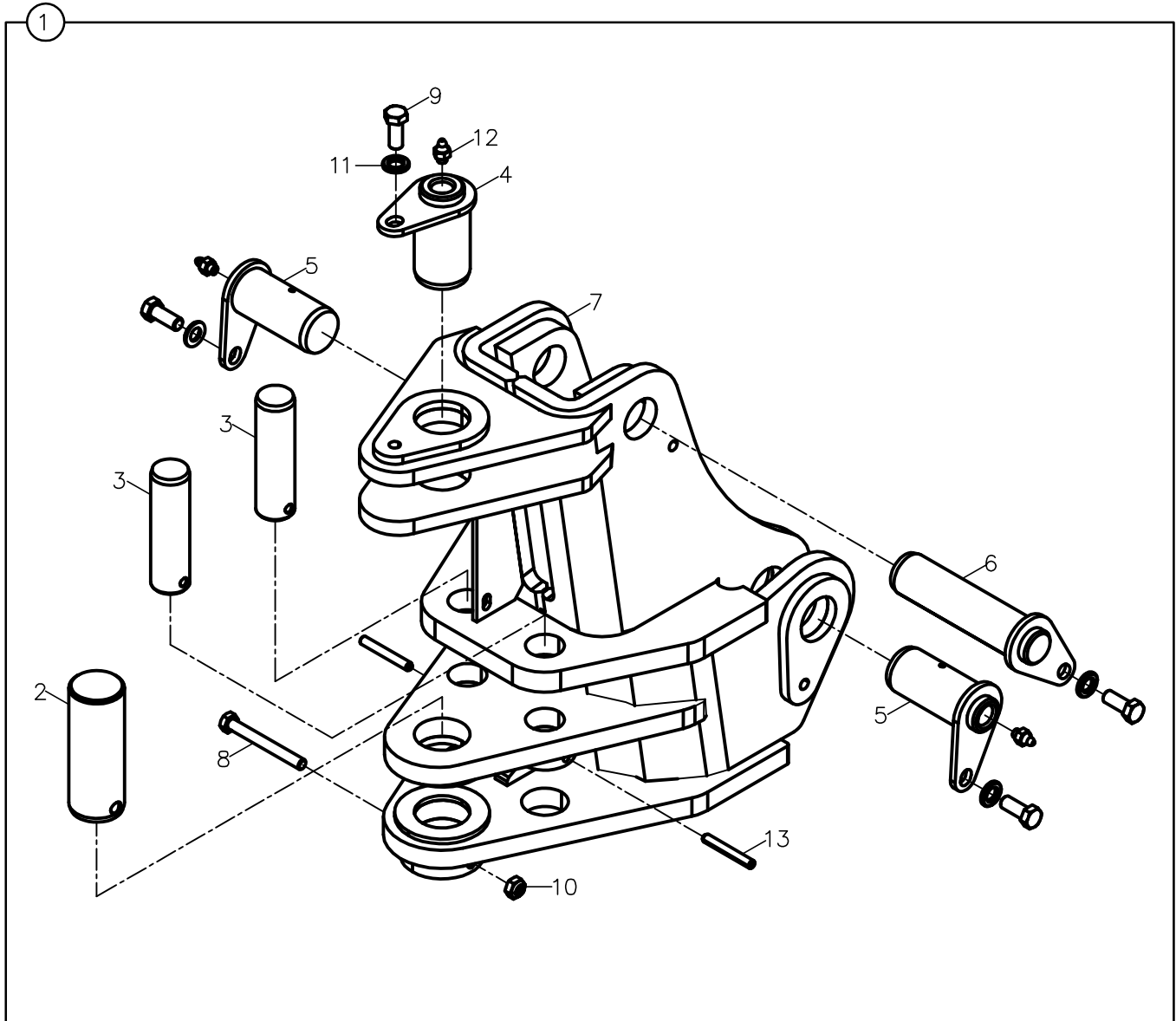
DÖNÜŞ TABLASI
KINGPOST CARRIAGE

1



DÖNÜŞ TABLASI
KINGPOST CARRIAGE

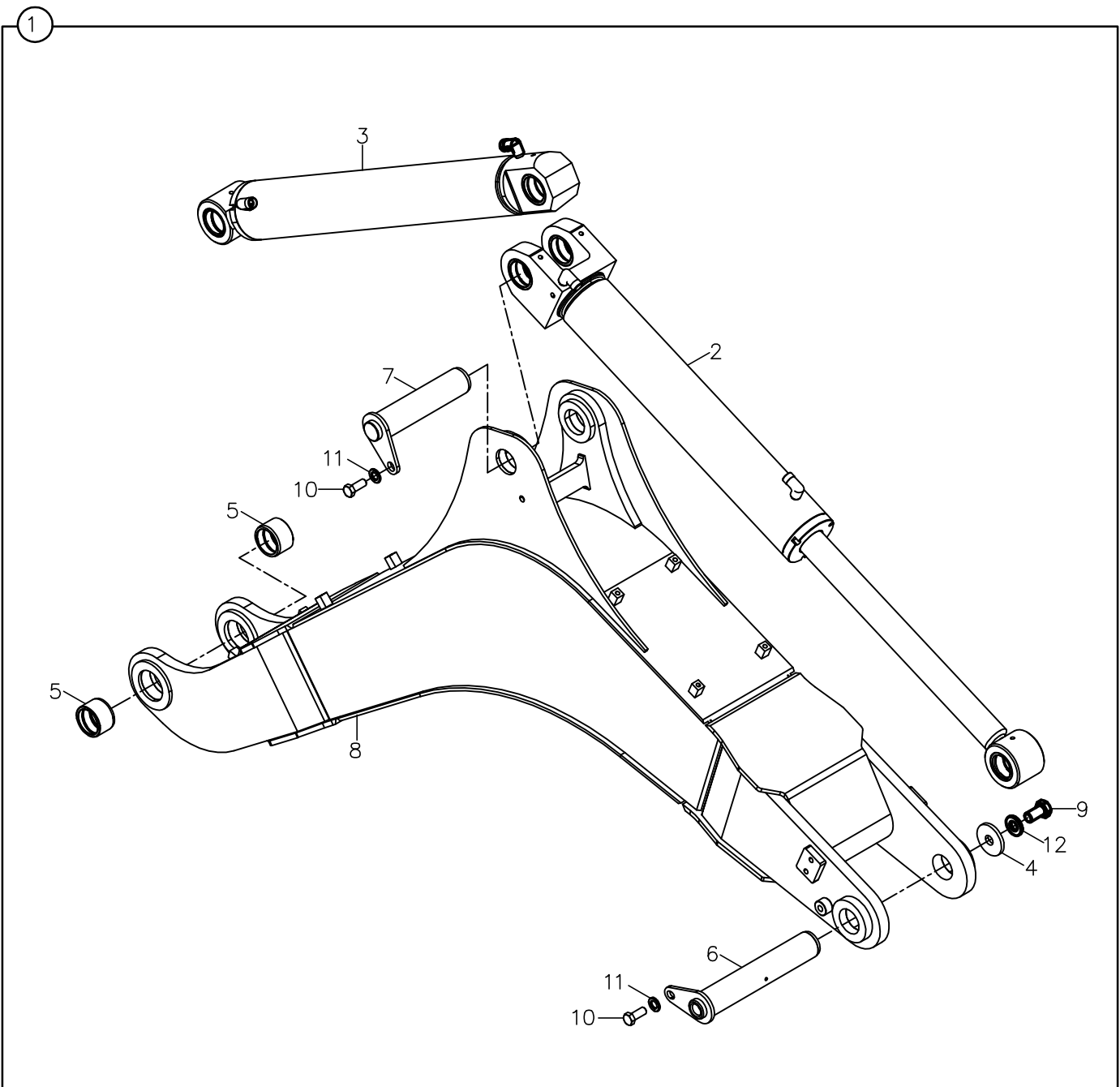
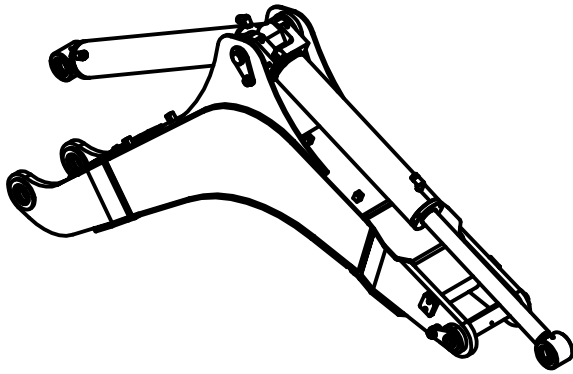
NO NO	PARÇA NO PART NO	TANIM	DESCRIPTION	ADET QTY	S.K. S.C.	SERİ NO SERIAL NO	D.T. ICA	NOT NOTE
	* 017/16000							
1	M115500100	DÖNÜŞ TABLASI, KOMP.	KINGPOST CARRIAGE, ASSY	1				
2	N01/0381860	CİVATA M20x100	BOLT M20x100	12				
3	N03/0800003	PUL M20	WASHER M20	12				
4	M115501500	KIZAK LAMASI	MOUNTING PLATE	2				
5	M115501400	KIZAK LAMASI	MOUNTING PLATE	4				
6	M115500200	DÖNÜŞ TABLASI	KINGPOST CARRIAGE	1				
7	N02/3580374	SOMUN M20	NUT M20	12				
8	M115502000	SIKMA KAPAĞI	COVER	4				
9	N10/3304011	PİSTON KEÇESİ	SEAL, PISTON	4				
10	N10/1354056	YATAKLAMA BANDI	GUIDE RING	8				
11	201/09410	SIKMA PİSTONU	PISTON	4				
12	N15/6450938	SIKMA KOVANI	PIN, EXPANSION	4				
13	802/01358	BURÇ	BUSHING	1				
14	802/03044	BURÇ	BUSHING	4				
15	802/01612	BURÇ	BUSHING	2				
16	802/01361	BURÇ	BUSHING	1				
17	M115502200	PUL	WASHER	2				
18	N08/1210020	GRESÖRLÜK	GREASE NIPPLE	5				
19	M115501600	HAMUT BAĞLANTISI	MOUNTING PLATE	1				
20	N01/0381754	CİVATA M20x60	BOLT M20x60	2				
21	N03/0810002	PUL M16	WASHER M16	8				
22	N01/0381322	CİVATA M16x90	BOLT M16x90	4				
23	N15/6452168	SIKMA KOVANI	PIN, EXPANSION	2				
24		DÖNÜŞ SİLİNDİRİ	RAM, SLEW/SWING	2				
25	N02/3570314	SOMUN M16	NUT M16	4				E3-5-1

DÖNÜŞ KUTUSU
SWING CARRIAGE

DÖNÜŞ KUTUSU
SWING CARRIAGE

NO NO	PARÇA NO PART NO	TANIM	DESCRIPTION	ADET QTY	S.K. S.C.	SERİ NO SERIAL NO	D.T. ICA	NOT NOTE
1	M115400100	DÖNÜŞ KUTUSU KOMPLE	SWING CARRIAGE ASSY.					
2	801/02058	PİM	PIN	1				
3	801/02165	PİM	PIN	2				
4	811/09042	PİM	PIN	1				
5	811/09045	PİM	PIN	2				
6	811/09058	PİM	PIN	1				
7	M115400200	DÖNÜŞ KUTUSU	SWING CARRIAGE	1				
8	N01/0380746	CİVATA M10x90	BOLT M10x90	1				
9	N01/0380818	CİVATA M12x30	BOLT M10x30	4				
10	N02/5900086	SOMUN M10	NUT M10	1				
11	N03/0810001	PUL	WASHER	4				
12	N08/1210020	GRESÖRLÜK	GREASE NIPPLE	3				
13	N15/6451938	SIKMA KONANI	PIN,EXPANSION	2				

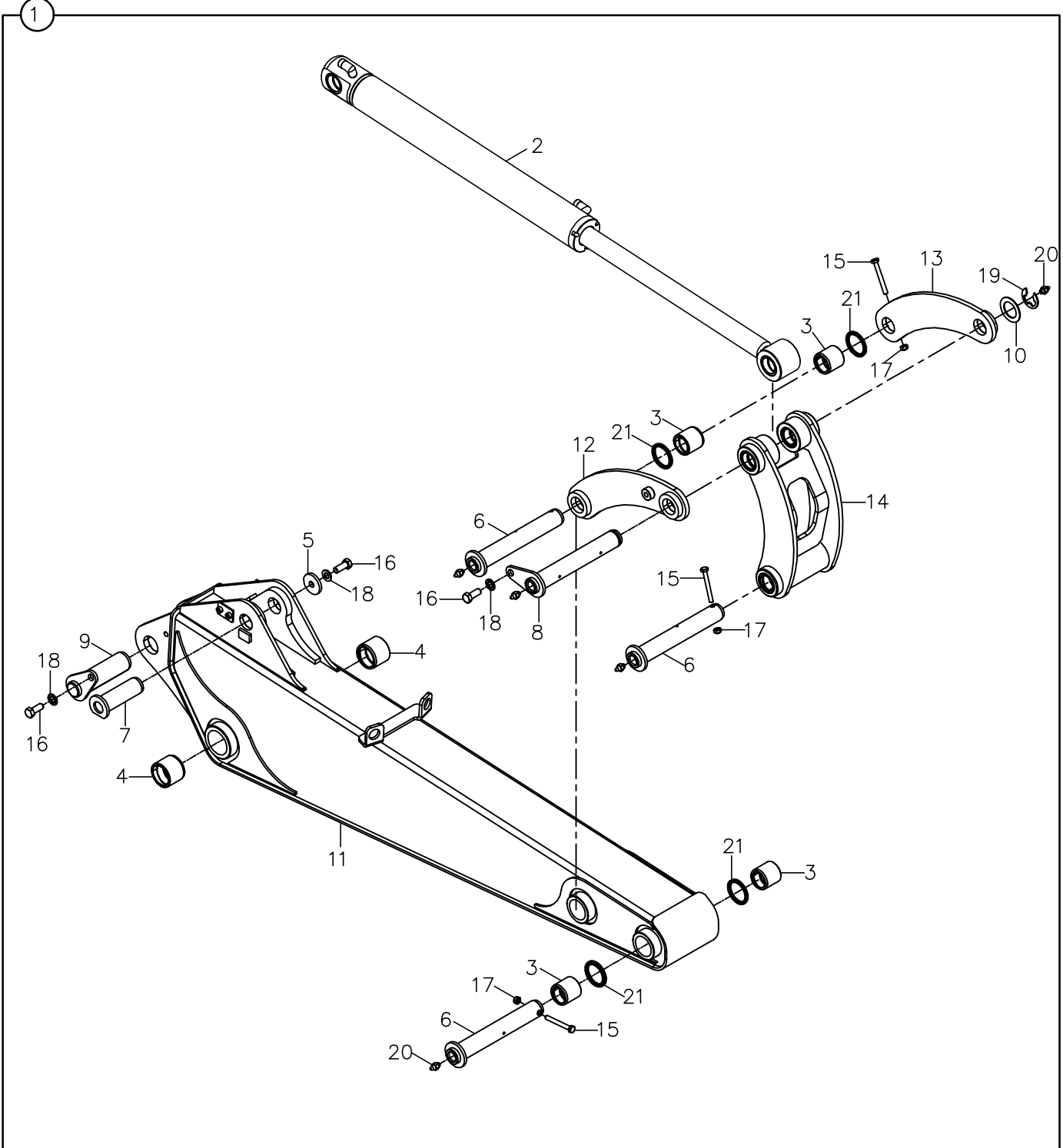
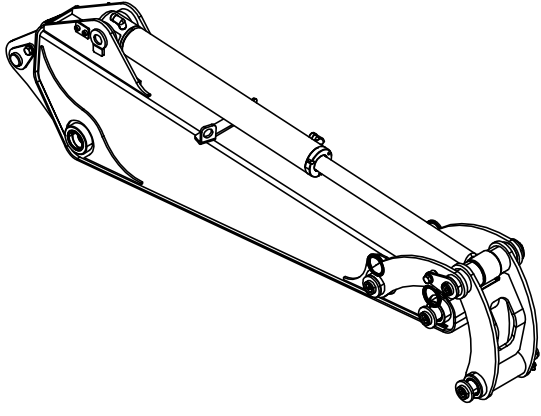
KALDIRICI BOM
MAIN BOOM



**KALDIRICI BOM
MAIN BOOM**

NO NO	PARÇA NO PART NO	TANIM	DESCRIPTION	ADET QTY	S.K. S.C.	SERİ NO SERIAL NO	D.T. ICA	NOT NOTE
1	M115200100	KALDIRICI BOM	MAIN BOOM	1				
2		ARM SİLİNDİRİ	RAM	1				↳ E3-7-1
3		BOM SİLİNDİRİ	RAM	1				↳ E3-6-1
4	802/01010	PUL	WASHER	1				
5	802/01230	BURÇ	BUSH	2				
6	811/13044	PİM	PIN	1				
7	811/51126	PİM	PIN	1				
8	M115200200	KALDIRICI BOM	MAIN BOOM	1				
9	N01/0233554	CİVATA M16x30	BOLT M16x30	1				
10	N01/0380818	CİVATA M12x30	BOLT M12x30	2				
11	N03/0810001	PUL M12	WASHER M12	2				
12	N03/0810002	PUL M16	WASHER M16	1				

DEV?R?C? BOM-PALET-DEVEBOYNU-S?L?ND?R BA?LANTILARI
DIPPER-TIPPING LINK/LEVER-RAM MOUNTING



**DEVİRİCİ BOM-PALET-DEVEBOYNU-SİLİNDİR BAĞLANTILARI
DIPPER-TIPPING LINK/LEVER-RAM MOUNTING**

NO NO	PARÇA NO PART NO	TANIM	DESCRIPTION	ADET QTY	S.K. S.C.	SERİ NO SERIAL NO	D.T. ICA	NOT NOTE
1	M115100100	ARM KOMPLE	ARM COMPLETE	1				
2		KEPÇE SİLİNDİRİ	RAM	1				E3-8-1
3	802/01036	BURÇ	BUSH	4				
4	802/01232	BURÇ	BUSH	2				
5	805/00461	PUL	WASHER	1				
6	811/04200	PİM	PIN	3				
7	811/04210	PİM	PIN	1				
8	811/04220	PİM	PIN	1				
9	811/51105	PİM	PIN	1				
10	M111305400	ŞİM	SHIM	1				
11	M115100200	ARM	ARM	1				
12	M115101900	DEVEBOYNU, SOL	TIPPING LEVER, LEFT	1				
13	M115102200	DEVEBOYNU, SAĞ	TIPPING LEVER, RIGHT	1				
14	M115102500	PALET, KOMPLE	TIPPING LINK, ASSY	1				
15	N01/0380470	CİVATA M8x70	BOLT M8x70	3				
16	N01/0380818	CİVATA M12x30	BOLT M12x30	3				
17	N02/5900062	SOMUN M8	NUT M8	3				
18	N03/0810001	PUL	WASHER	3				
19	N05/0760018	EMNİYET SEGMANI	RETAINING RING	1				
20	N08/1210020	GRESÖRLÜK	GREASE NIPPLE	5				
21	N10/5354540	TOZ KEÇESİ	SCRAPER	4				

D

**KONTROL
CONTROL**

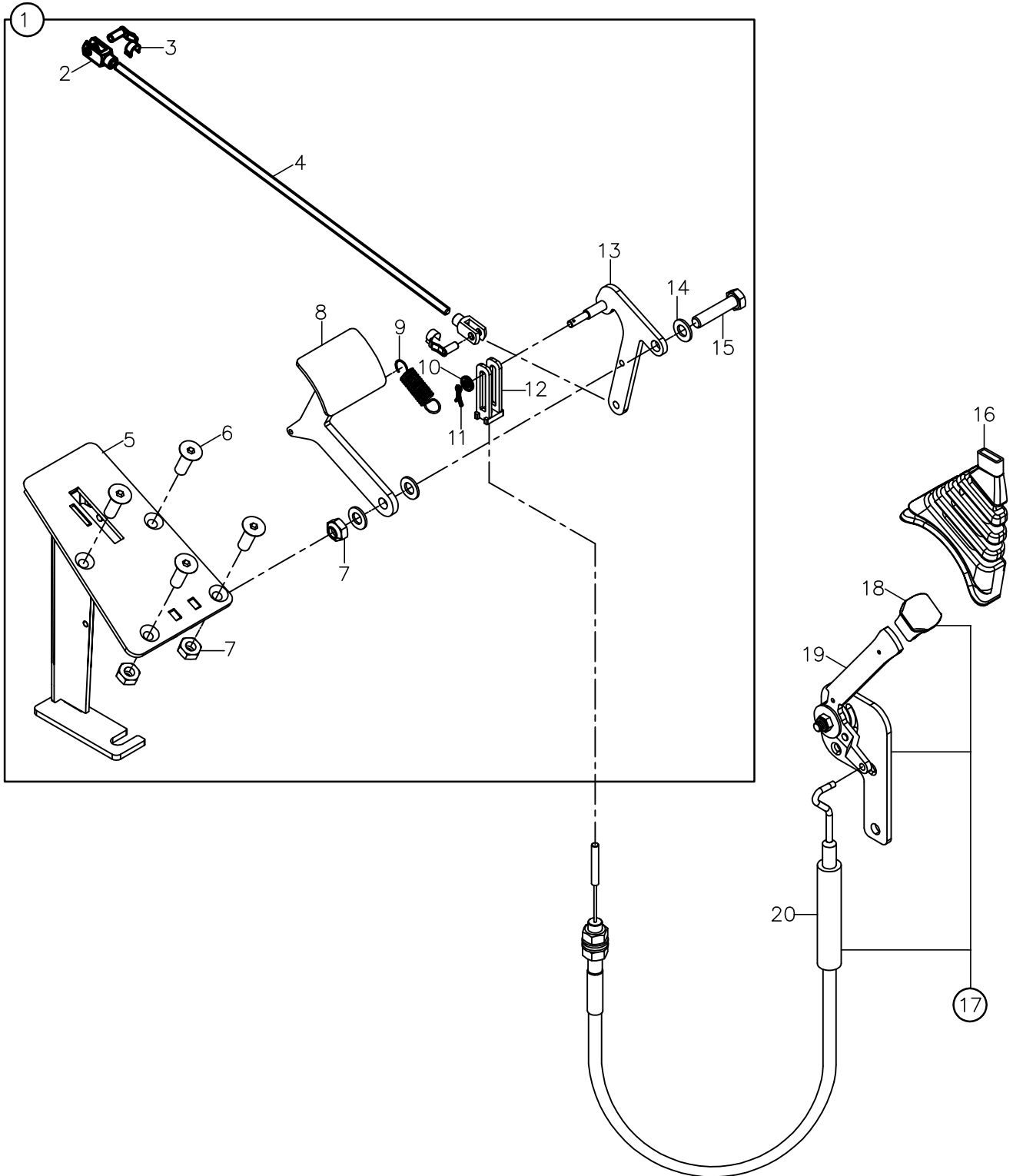
D1

**KONTROL MEKANİZMALARI
CONTROL MECHANISMS**

D2

**MOTOR KONTROL
CONTROL, ENGINE**

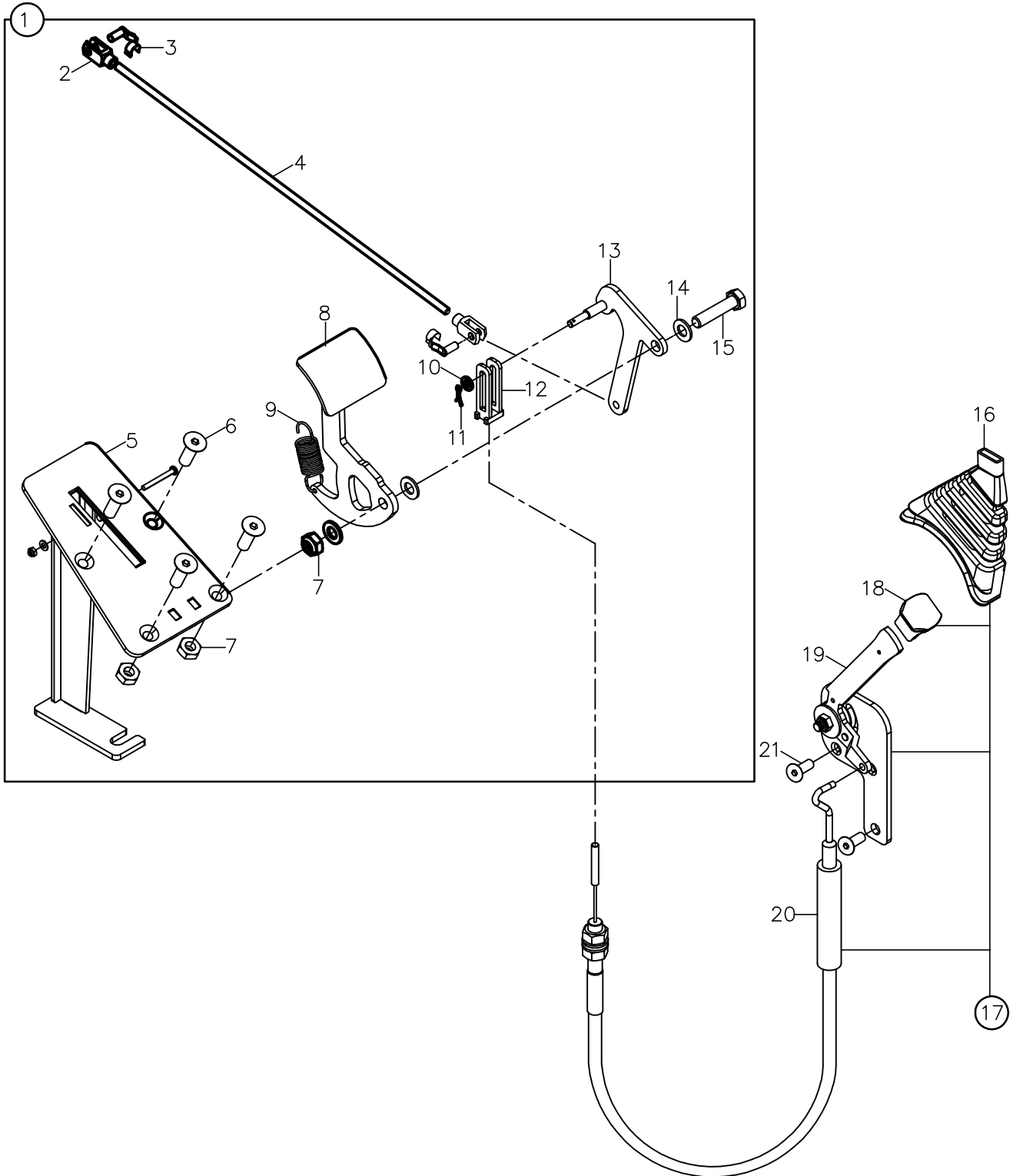
EL GAZI KOLU VE GAZ PEDALI MEKANİZMASI
HAND THROTTLE AND ACCELERATOR PEDAL



**EL GAZI KOLU VE GAZ PEDALI MEKANİZMASI
HAND THROTTLE AND ACCELERATOR PEDAL**

NO NO	PARÇA NO PART NO	TANIM	DESCRIPTION	ADE QTY	S.K. S.C.	SERİ NO SERIAL NO	D.T. ICA	NOT NOTE
1	M112600100	GAZ PEDALI KOMPLE	PEDAL LEVER ASSEMBLY	1				
2	F99/60101	MAFSAL ÇATALI	CLEVIS	2				
3	F99/60102	MAFSAL ÇATALI KILIDI PİMİ	PIN, CLEVIS	2				
4	M112601400	GAZ ÇUBUĞU	ROD, GAS	1				
5	M112600200	GAZ PEDALI BAĞLANTISI	PEDAL LEVER MOUNTING	1				
6	N04/4320734	VİDA M10x30	SCREW M10x30	4				
7	N02/5900086	SOMUN M10	NUT M10	5				
8	M112600700	GAZ PEDALI	PEDAL LEVER	1				
9	M112602200	YAY	SPRING	1				
10	N03/0100013	PUL M6	WASHER M6	1				
11	N06/1002015	GUPİLYA M2x16	COTTER PIN M2x16	1				
12	M112601900	EL GAZI TEL TUTUCU	HAND THROTTLE	1				
13	M112601000	GAZ PEDALI KOLU	HAND, PEDAL LEVER	1				
14	M112601300	GAZ PEDALI PULU	WASHER	3				
15	N01/0380638	CİVATA M10x45	BOLT M10x45	1				
16		KÖRÜK	GAITER	1				
17		EL GAZI KOMPLESİ	HAND THROTTLE MECHANISM	1				
18		EL GAZI TUTAMAĞI	HAND THROTTLE HANDLE	1				
19		EL GAZI GOVDESİ	HAND THROTTLE BODY	1				
20		TEL, EL GAZI	CABLE, HAND THROTTLE	1				

EL GAZI KOLU VE GAZ PEDALI MEKANİZMASI
HAND THROTTLE AND ACCELERATOR PEDAL



**EL GAZI KOLU VE GAZ PEDALI MEKANİZMASI
HAND THROTTLE AND ACCELERATOR PEDAL**

NO NO	PARÇA NO PART NO	TANIM	DESCRIPTION	ADE QTY	S.K. S.C.	SERİ NO SERIAL NO	D.T. ICA	NOT NOTE
1	M112600100	GAZ PEDALI KOMPLE	PEDAL LEVER ASSEMBLY	1				
2	F99/60100	MAFSAL ÇATALI	CLEVIS	2				
3	F99/60100	MAFSAL ÇATALI KILIDI PİMİ	PIN, CLEVIS	2				
4	M112601400	GAZ ÇUBUĞU	ROD, GAS	1				
5	M112600200	GAZ PEDALI BAĞLANTISI	PEDAL LEVER MOUNTING	1				
6	N04/4320734	VİDA M10x30	SCREW M10x30	4				
7	N02/5900086	SOMUN M10	NUT M10	5				
8	M112600700	GAZ PEDALI	PEDAL LEVER	1				
9	M112602200	YAY	SPRING	1				
10	N03/0100013	PUL M6	WASHER M6	1				
11	N06/1002015	GUPİLYA M2x16	COTTER PIN M2x16	1				
12	M112601900	EL GAZI TEL TUTUCU	HAND THROTTLE	1				
13	M112601000	GAZ PEDALI KOLU	HAND, PEDAL LEVER	1				
14	M112601300	GAZ PEDALI PULU	WASHER	3				
15	N01/0380638	CİVATA M10x45	BOLT M10x45	1				
16	810/28582	KÖRÜK	GAITER	1				
17	M112602300	EL GAZI KOMPLESİ	HAND THROTTLE MECHANISM	1				
18	M112602600	EL GAZI TUTAMAĞI	HAND THROTTLE HANDLE	1				
19	M112602400	EL GAZI MEKANİZMASI	HAND THROTTLE MECHANISM	1				
20	M112602500	TEL, EL GAZI	CABLE, HAND THROTTLE	1				
21	N04/4320506	VİDA M8x20	SCREW M18x20	2				

E

**HİDROLİK
HYDRAULIC**

E1

**HİDROLİK SİSTEM
HYDRAULIC SYSTEM**

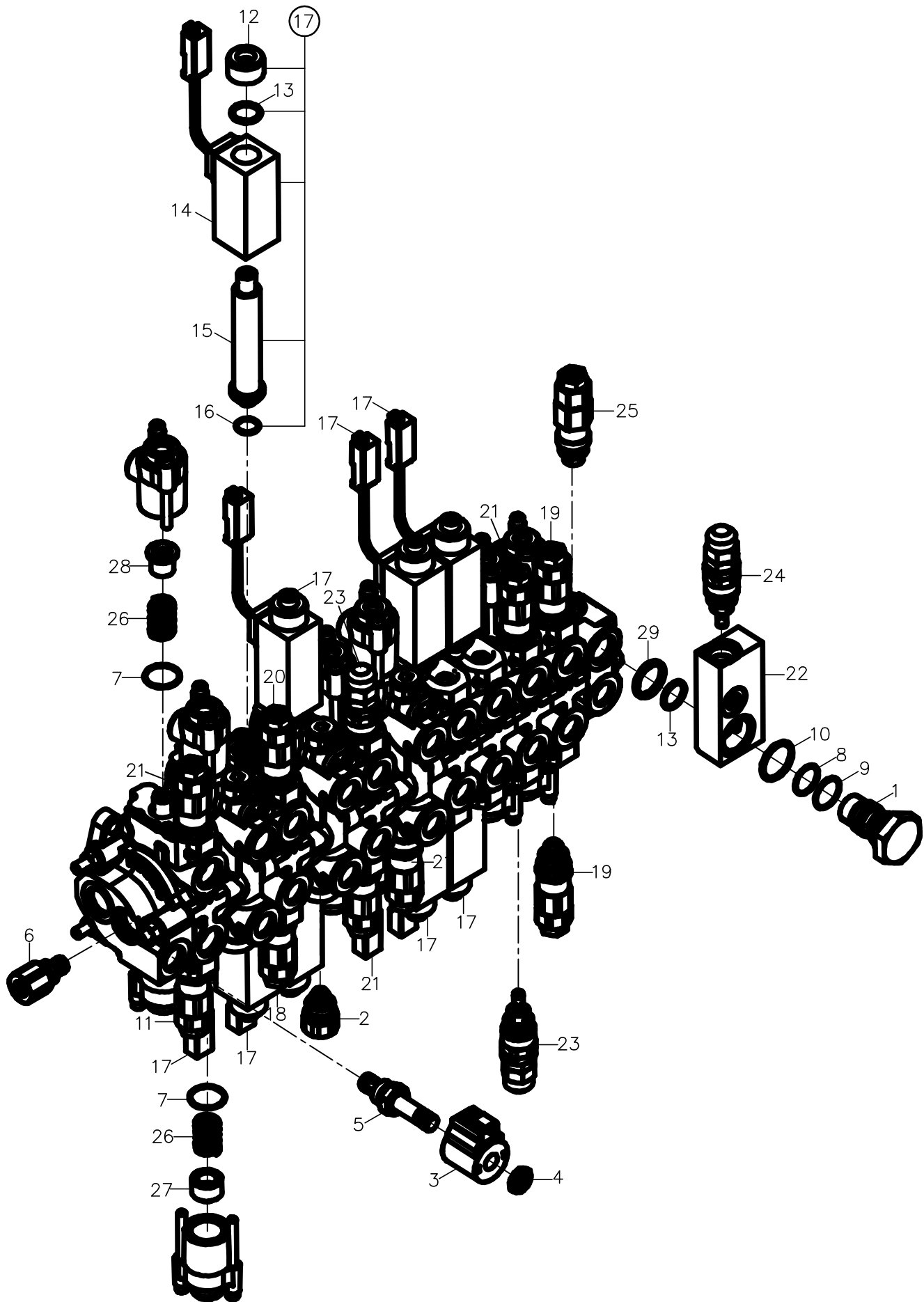
E2

**VALF VE NİPEL BAĞLANTILARI
VALVE & ADAPTER MOUNTINGS**

E3

**SİLİNDİRLER
RAMS**

ARKA KUMANDA, KUMANDA ELEMANLARI
BACKHOE CONTROL, DIRECTIONAL VALVE ELEMENTS



ARKA KUMANDA, KUMANDA ELEMANLARI
BACKHOE CONTROL, DIRECTIONAL VALVE ELEMENTS

NO NO	PARÇA NO PART NO	TANIM	DESCRIPTION	ADET QTY	S.K. S.C.	SERİ NO SERIAL NO	D.T. ICA	NOT NOTE
	* M113002000				RK			
1	S18/30188	ADAPTÖR	ADAPTER	1				
2	S18/31020	ANTİKAVİTASYON VALFİ	ANTI - VOID ASSY.	1				
3	S18/30186	BOBİN, SOLENOİD	COIL-SOLENOID	1				
4	S18/30643	SOMUN	NUT-SPECIAL	1				
5	S18/30620	GÖVDE, SELONOİD	BODY - SOLENOID	1				
6	S18/30515	SIKMA VALFİ, KOMPLE	CLAMP VALVE ASSY.	1				
7	S18/30185	O-RING	O-RING	12				
8	S18/30400	O-RING	O-RING	1				
9	S18/30184	O-RING	O-RING	1				
10	S18/30183	O-RING	O-RING	1				
11	S18/30174	EMNİYET VALFİ, KOMPLE	RELIEF VALVE ASSY.	1				
12	S18/30704	SOMUN	NUT - SPECIAL	8				
13	S18/31196	O-RING	O-RING	9				
14	S18/30181	BOBİN, SOLENOİD	COIL - SOLENOID	8				
15	S18/30656	SOLENOİD	TUBE - SOLENOID	8				
16	S18/31186	O-RING	O-RING	8				
17	S18/30150	SOLENOİD	SOLENOID - 12V B/B	8				
18	S18/30160	EMNİYET VALFİ, KOMPLE	RELIEF VALVE ASSY.	1				
19	S18/30162	EMNİYET VALFİ, KOMPLE	RELIEF VALVE ASSY.	2				
20	S18/30164	EMNİYET VALFİ, KOMPLE	RELIEF VALVE ASSY.	1				
21	S18/30166	EMNİYET VALFİ, KOMPLE	RELIEF VALVE ASSY.	4				
22	S18/30180	YUVA, MANIFOLD	HOUSING - MANIFOLD	1				
23	S18/30168	EMNİYET VALFİ, KOMPLE	RELIEF VALVE ASSY.	1				
24	S18/30170	EMNİYET VALFİ, KOMPLE	RELIEF VALVE ASSY.	1				
25	S18/30172	EMNİYET VALFİ, KOMPLE	RELIEF VALVE ASSY.	1				
26	S18/30189	YAY	SPRING	12				
27	S18/30190	YAY YUVASI	SPRING SEAT	2				
28	S18/30191	YAY YUVASI	SPRING SEAT	10				
29	S18/30192	PUL	WASHER	1				

E

**HİDROLİK
HYDRAULIC**

E1

**HİDROLİK SİSTEM
HYDRAULIC SYSTEM**

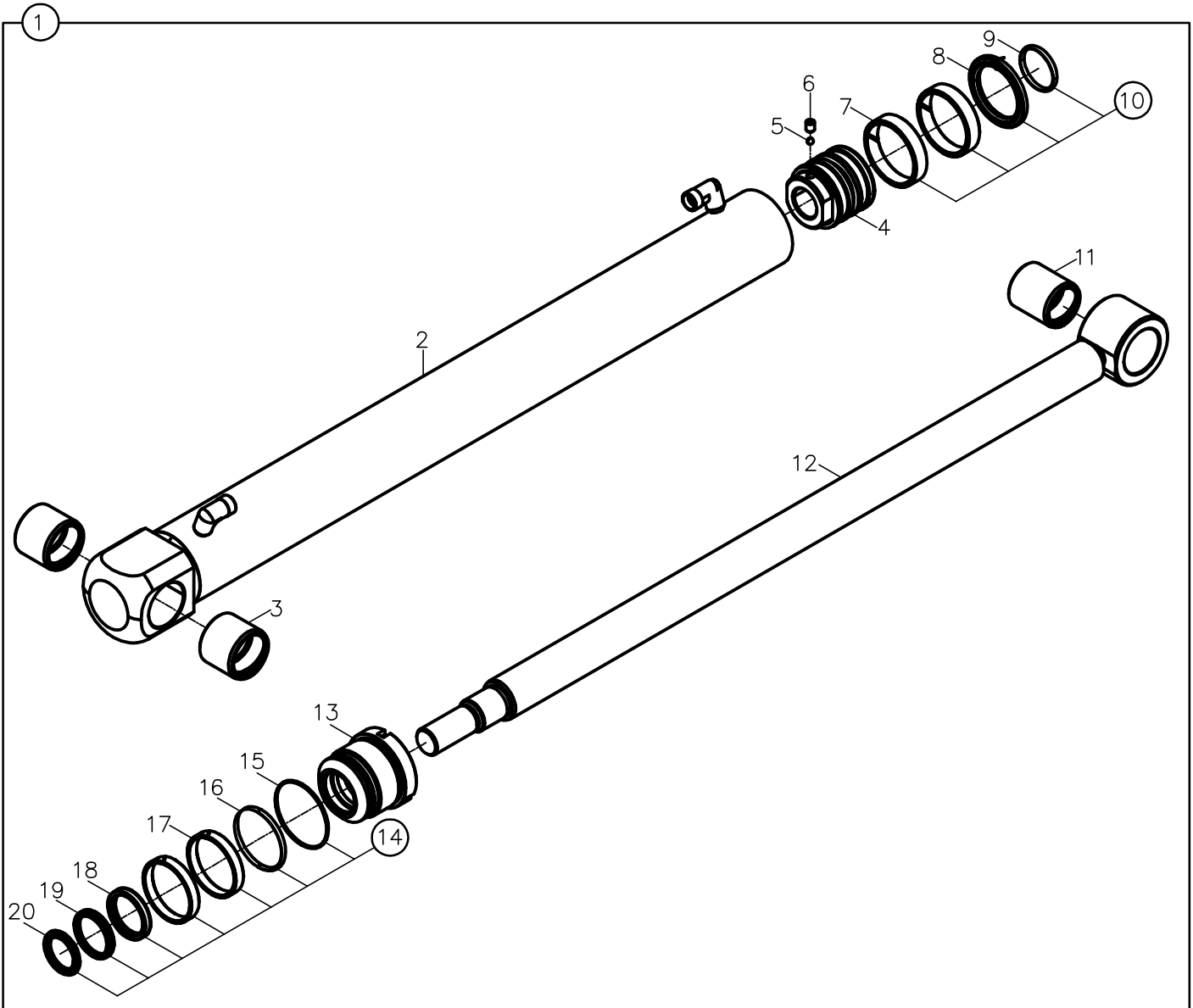
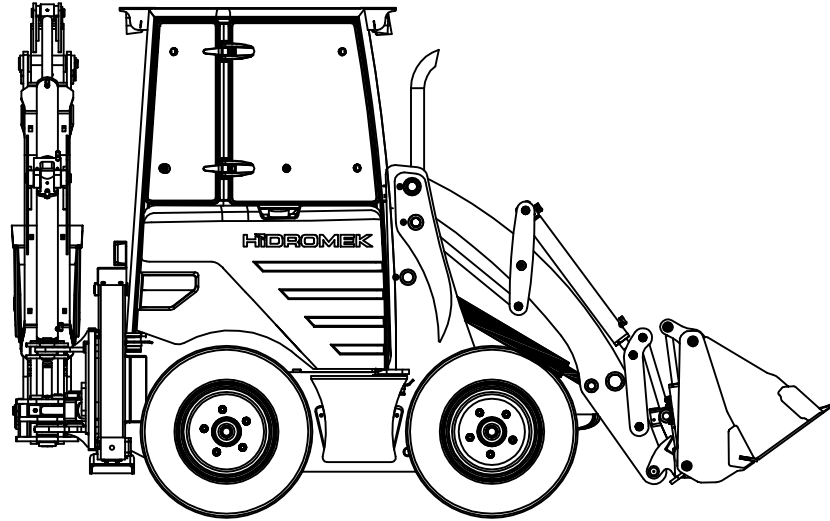
E2

**VALF VE NİPEL BAĞLANTILARI
VALVE & ADAPTER MOUNTINGS**

E3

**SİLİNDİRLER
RAMS**

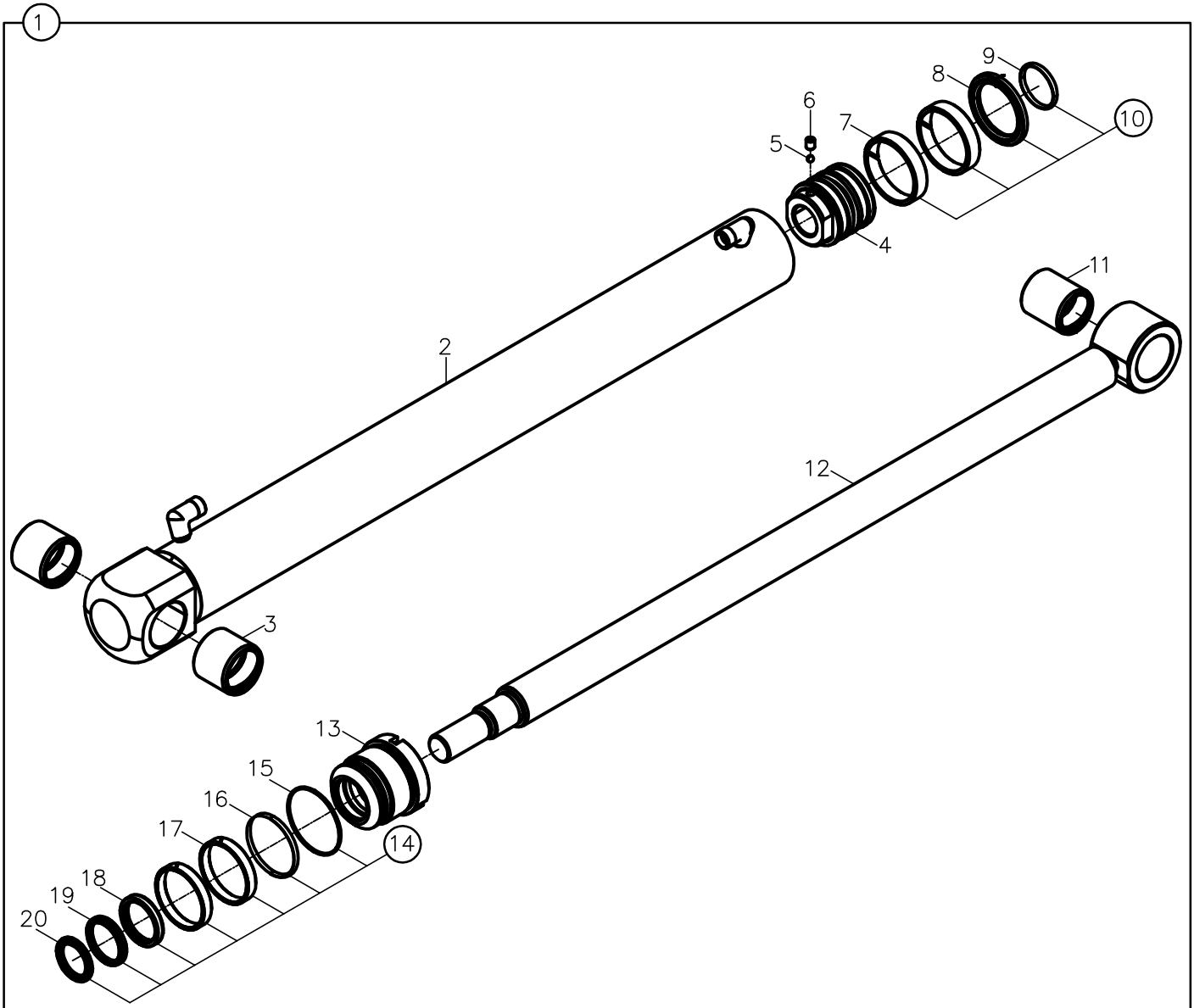
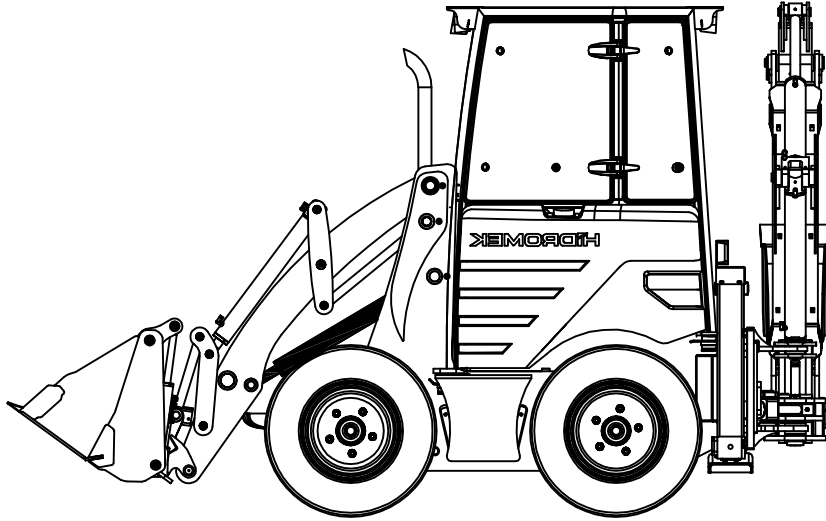
S?L?ND?R, KALDIRICI, SA?, Y?KLEY?C?
RAM, LIFT, RIGHT, LOADER



**SİLİNDİR, KALDIRICI, SAĞ ,YÜKLEYİCİ
RAM, LIFT, RIGHT, LOADER**

NO NO	PARÇA NO PART NO	TANIM	DESCRIPTION	ADET QTY	S.K. S.C.	SERİ NO SERIAL NO	D.T. ICA	NOT NOTE
1	152/21301	SİLİNDİR, KALDIRICI	RAM, LIFT	1				
2	209/22140	SİLİNDİR BORUSU	CYLINDER	1				
3	802/01032	BURÇ	BUSH	2				
4	201/21060	PİSTON	PISTON	1				
5	N09/9001060	ÇELİK BİLYA	STEEL BALL	1				
6	N04/3120686	VİDA M8x10	SCREW M8x10	1				
7	N10/0586397	PISTON YATAKLAMA BANDI	GUIDE RING, PISTON	2	K1			
8	N10/3476306	PISTON KEÇESİ	SEAL, PISTON	1	K1			
9	N10/2003935	PISTON ORINGI	O-RING	1	K1			
10	S48/80728	PISTON TAMİR TAKIMI	SEAL KIT, PISTON	1	(K1)			
11	802/01034	BURÇ	BUSH	1				
12	208/45140	SİLİNDİR MİLİ	ROD	1				
13	202/22065	BOĞAZ	CAP, END	1				
14	S48/90935	BOĞAZ TAMİR TAKIMI	SEAL, KIT, END CAP	1	(K2)			
15	N10/2006426	O-RING	O-RING	1	K2			
16	N10/2005835	O-RING	O-RING	1	K2			
17	N10/0404597	YATAKLAMA BANDI	GUIDE RING	2	K2			
18	N10/5404805	TOZ KEÇESİ	SCRAPER	1	K2			
19	N10/7405506	TAMPON KEÇESİ	SEAL	1	K2			
20	N10/4405007	BOĞAZ KEÇESİ	U- CAP	1	K2			

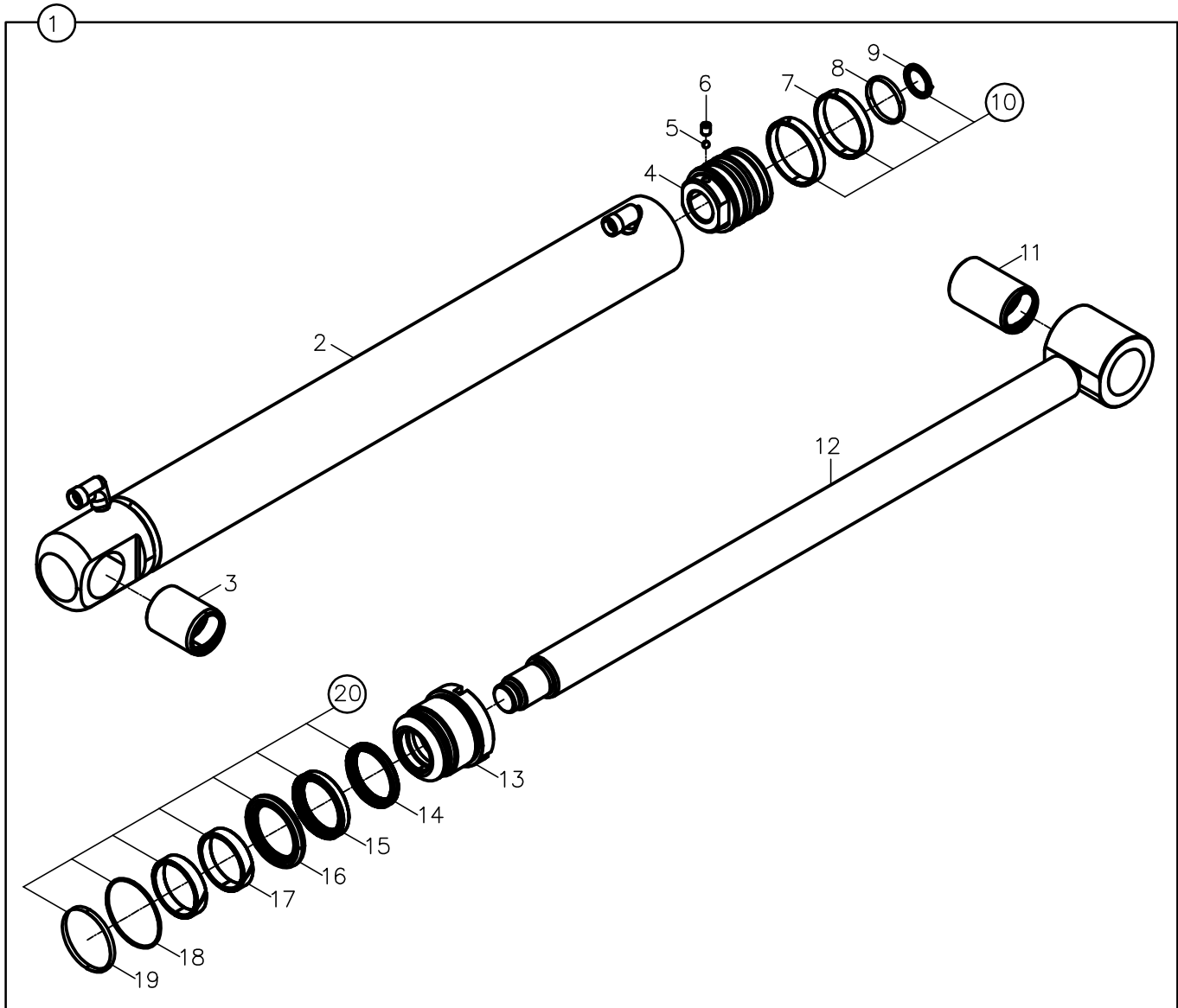
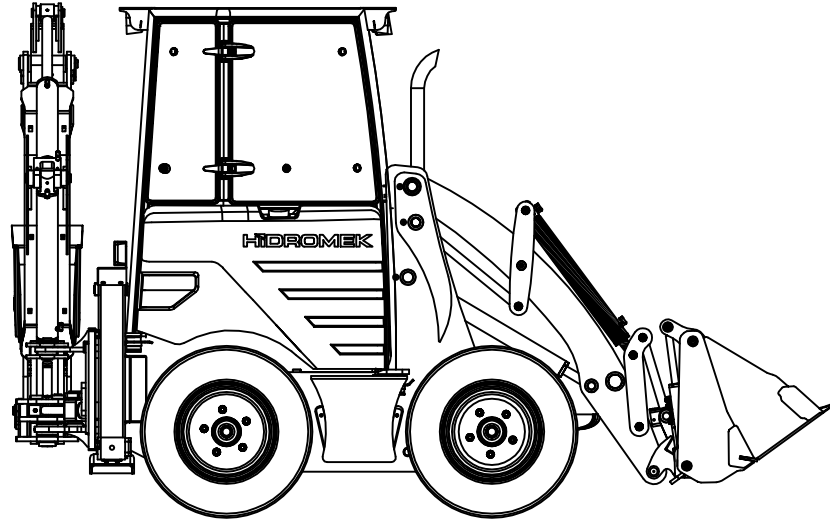
S?L?ND?R, KALDIRICI, SOL, YÜKLEY?C?
RAM, LIFT, LEFT, LOADER



**SİLİNDİR, KALDIRICI, SOL ,YÜKLEYİCİ
RAM, LIFT, LEFT, LOADER**

NO NO	PARÇA NO PART NO	TANIM	DESCRIPTION	ADET QTY	S.K. S.C.	SERİ NO SERIAL NO	D.T. ICA	NOT NOTE
1	152/21311	SİLİNDİR, KALDIRICI	RAM, LIFT	1				
2	209/22135	SİLİNDİR BORUSU	CYLINDER	1				
3	802/01032	BURÇ	BUSH	2				
4	201/21060	PİSTON	PISTON	1				
5	N09/9001060	ÇELİK BİLYA	STEEL BALL	1				
6	N04/3120686	VİDA M8x10	SCREW M8x10	1				
7	N10/0586397	PISTON YATAKLAMA BANDI	GUIDE RING, PISTON	2	K1			
8	N10/3476306	PISTON KEÇESİ	SEAL, PISTON	1	K1			
9	N10/2003935	PISTON ORINGI	O-RING	1	K1			
10	S48/80728	PISTON TAMİR TAKIMI	SEAL KIT, PISTON	1	(K1)			
11	802/01034	BURÇ	BUSH	1				
12	208/45140	SİLİNDİR MİLİ	ROD	1				
13	202/22065	BOĞAZ	CAP, END	1				
14	S48/90935	BOĞAZ TAMİR TAKIMI	SEAL, KIT, END CAP	1	(K2)			
15	N10/2006426	O-RING	O-RING	1	K2			
16	N10/2005835	O-RING	O-RING	1	K2			
17	N10/0404597	YATAKLAMA BANDI	GUIDE RING	2	K2			
18	N10/5404805	TOZ KEÇESİ	SCRAPER	1	K2			
19	N10/7405506	TAMPON KEÇESİ	SEAL	1	K2			
20	N10/4405007	BOĞAZ KEÇESİ	U- CAP	1	K2			

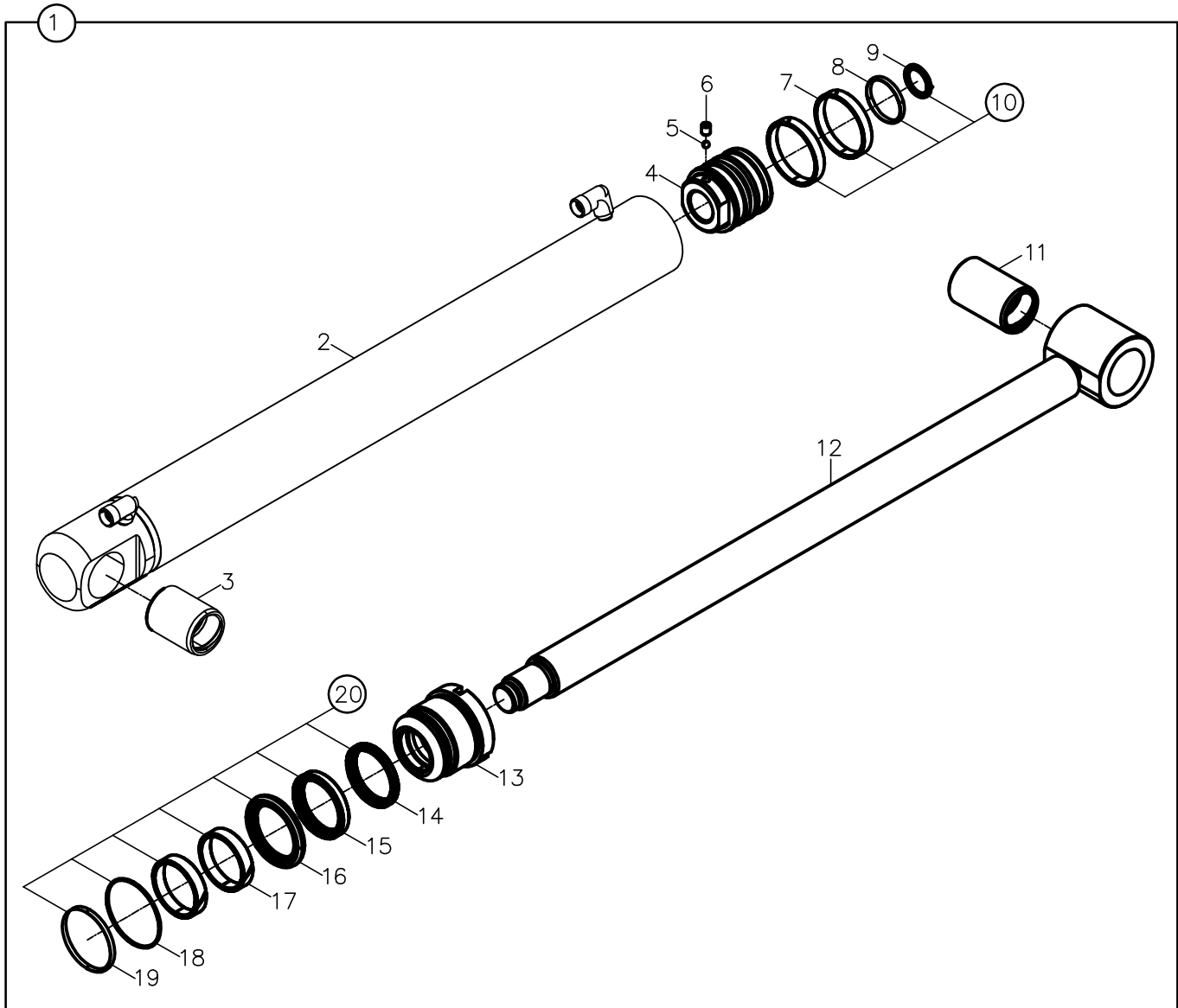
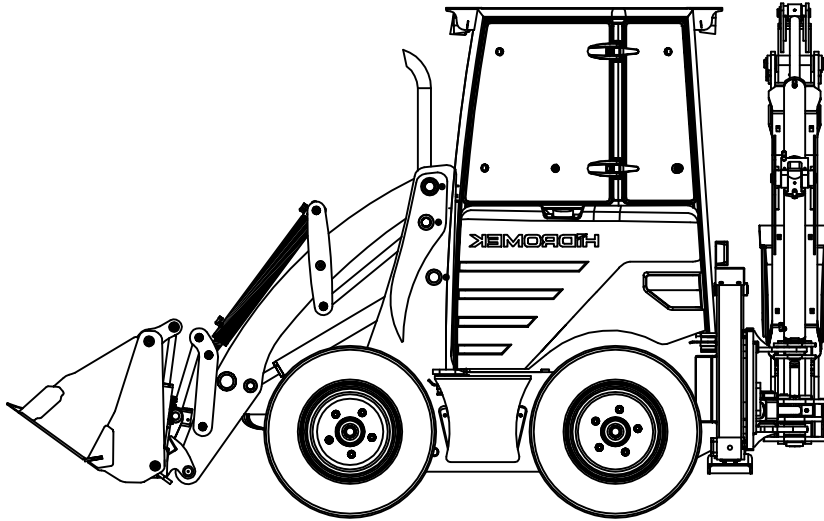
S?L?ND?R, DEV?R?C?, SA?, Y?KLEY?C?
RAM, SHOVEL, RIGHT, LOADER



**SİLİNDİR, DEVİRİCİ, SAĞ ,YÜKLEYİCİ
RAM, SHOVEL, RIGHT, LOADER**

NO NO	PARÇA NO PART NO	TANIM	DESCRIPTION	ADET QTY	S.K. S.C.	SERİ NO SERIAL NO	D.T. ICA	NOT NOTE
1	152/21200	SİLİNDİR, DEVİRİCİ	RAM, SHOVEL	1				
2	209/22110	SİLİNDİR BORUSU	CYLINDER	1				
3	802/01601	BURÇ	BUSH	1				
4	201/21060	PİSTON	PISTON	1				
5	N09/9001060	ÇELİK BİLYA	STEEL BALL	1				
6	N04/3120686	VİDA M8x10	SCREW M8x10	1				
7	N10/0586397	PISTON YATAKLAMA BANDI	GUIDE RING, PISTON	2	K1			
8	N10/3476306	PISTON KEÇESİ	SEAL, PISTON	1	K1			
9	N10/2003935	PISTON ORINGI	O-RING	1	K1			
10	S48/80728	PISTON TAMİR TAKIMI	SEAL KIT, PISTON	1	(K1)			
11	802/01035	BURÇ	BUSH	1				
12	208/45120	SİLİNDİR MİLİ	ROD	1				
13	202/22065	BOĞAZ	CAP, END	1				
14	N10/5404805	TOZ KEÇESİ	SCRAPER	1	K2			
15	N10/4405007	BOĞAZ KEÇESİ	U- CAP	1	K2			
16	N10/7405506	TAMPON KEÇESİ	SEAL	1	K2			
17	N10/0404597	YATAKLAMA BANDI	GUIDE RING	2	K2			
18	N10/2006426	O-RING	O-RING	1	K2			
19	N10/2005835	O-RING	O-RING	1	K2			
20	S48/90935	BOĞAZ TAMİR TAKIMI	SEAL, KIT, END CAP	1	(K2)			

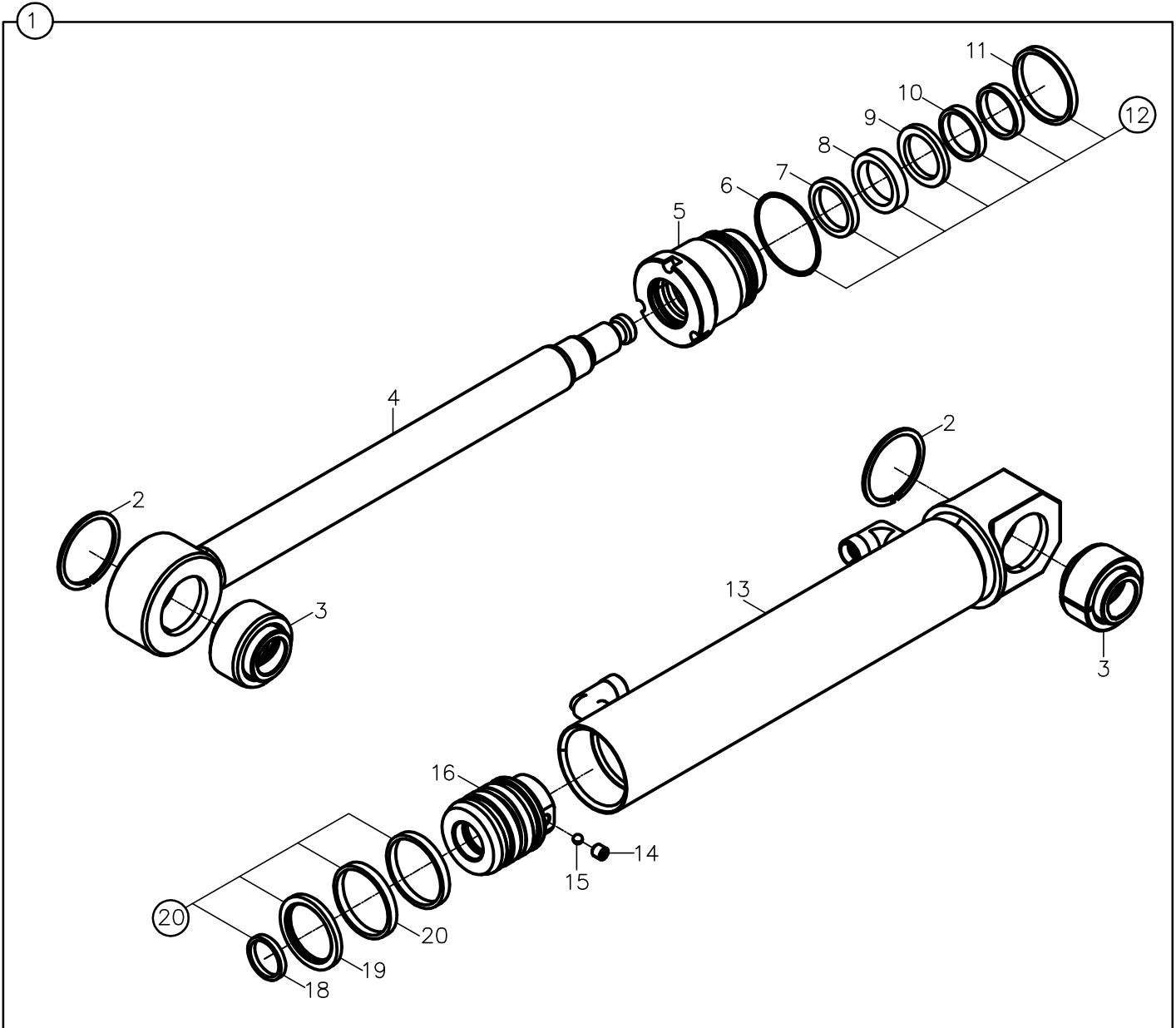
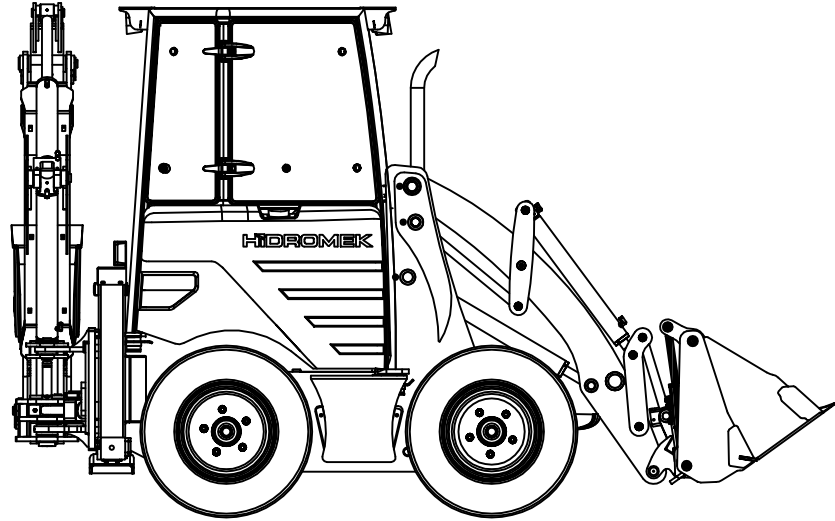
S?L?ND?R, DEV?R?C?, SOL, Y?KLEY?C?
RAM, SHOVEL, LEFT, LOADER



**SİLİNDİR, DEVİRİCİ, SOL ,YÜKLEYİCİ
RAM, SHOVEL, LEFT, LOADER**

NO NO	PARÇA NO PART NO	TANIM	DESCRIPTION	ADET QTY	S.K. S.C.	SERİ NO SERIAL NO	D.T. ICA	NOT NOTE
1	152/21210	SİLİNDİR, DEVİRİCİ	RAM, SHOVEL	1				
2	209/22117	SİLİNDİR BORUSU	CYLINDER	1				
3	802/01601	BURÇ	BUSH	1				
4	201/21060	PİSTON	PISTON	1				
5	N09/9001060	ÇELİK BİLYA	STEEL BALL	1				
6	N04/3120674	VİDA M8x12	SCREW M8x12	1				
7	N10/0586397	PISTON YATAKLAMA BANDI	GUIDE RING, PISTON	2	K1			
8	N10/3476306	PISTON KEÇESİ	SEAL, PISTON	1	K1			
9	N10/2003935	PISTON ORINGI	O-RING	1	K1			
10	S48/80728	PISTON TAMİR TAKIMI	SEAL KIT, PISTON	1	(K1)			
11	802/01035	BURÇ	BUSH	1				
12	208/45120	SİLİNDİR MİLİ	ROD	1				
13	202/22065	BOĞAZ	CAP, END	1				
14	N10/5404805	TOZ KEÇESİ	SCRAPER	1	K2			
15	N10/4405007	BOĞAZ KEÇESİ	U- CAP	1	K2			
16	N10/7405506	TAMPON KEÇESİ	SEAL	1	K2			
17	N10/0404597	YATAKLAMA BANDI	GUIDE RING	2	K2			
18	N10/2006426	O-RING	O-RING	1	K2			
19	N10/2005835	O-RING	O-RING	1	K2			
20	S48/90935	BOĞAZ TAMİR TAKIMI	SEAL, KIT, END CAP	1	(K2)			

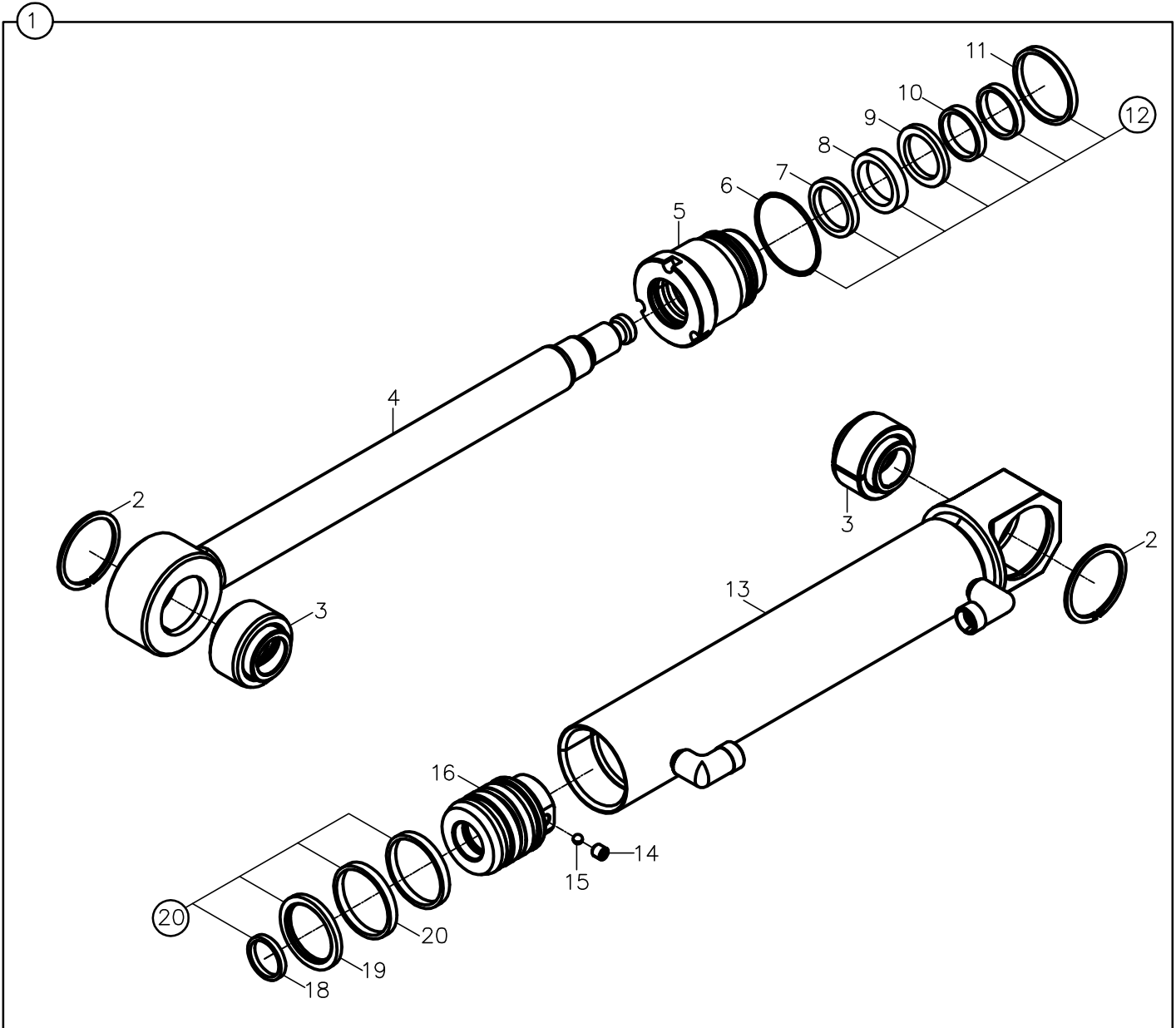
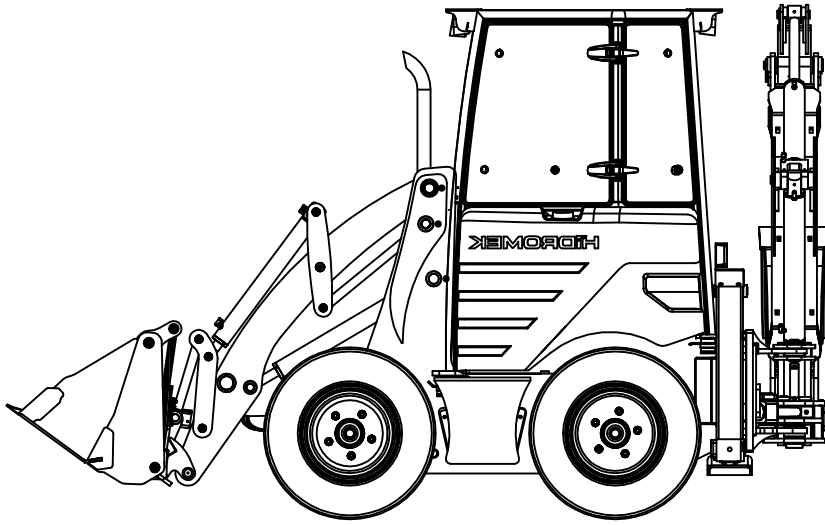
S?L?ND?R, AÇILIR KEPÇE, SA?- SOL, YÜKLEY?C?
RAM, CLAMSHOVEL, RIGHT- LEFT, LOADER



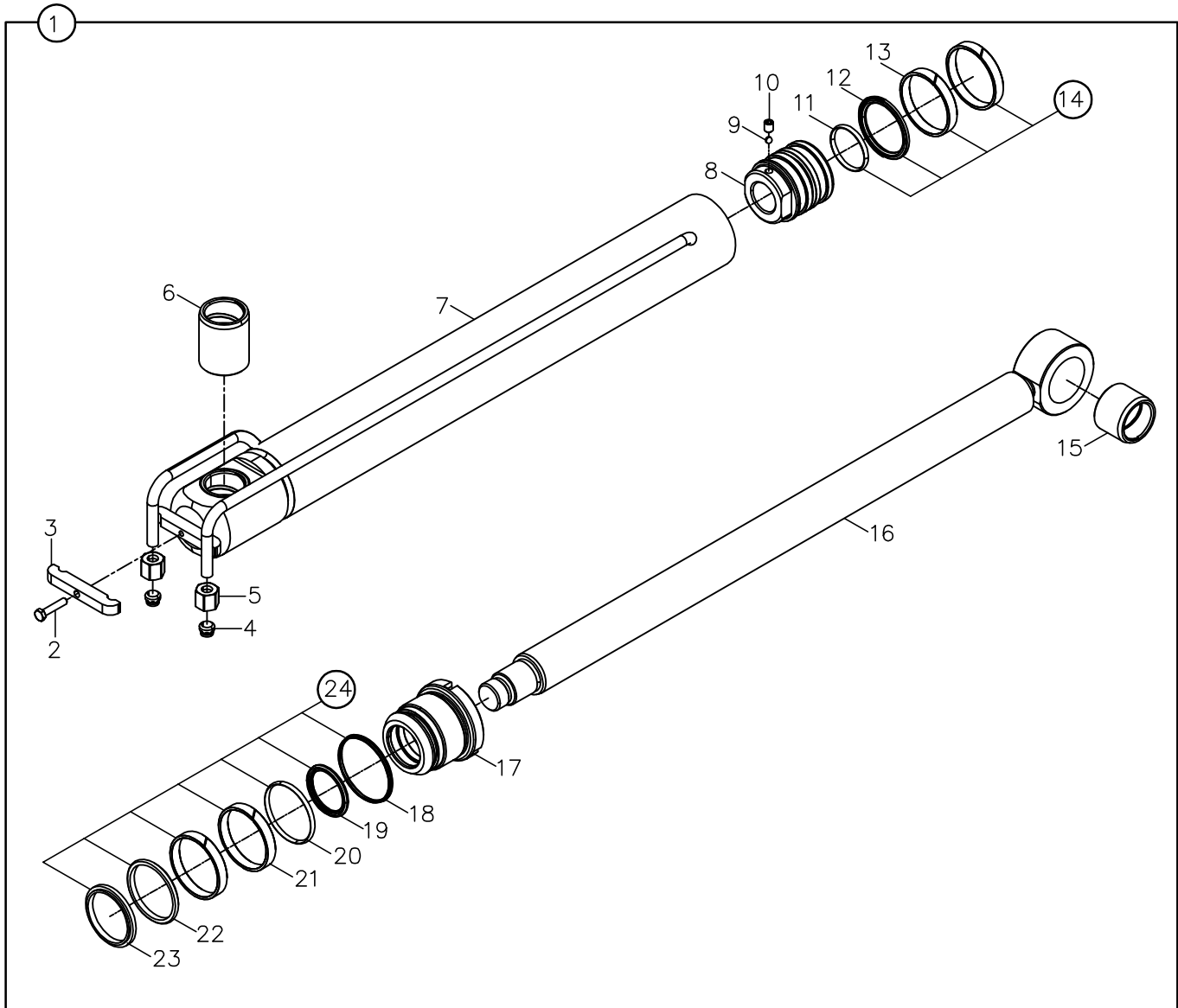
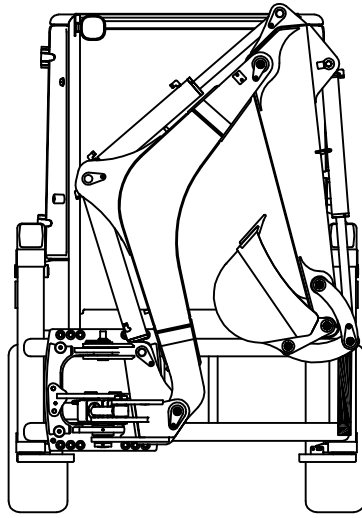
**SİLİNDİR, AÇILIR KEPÇE, SAĞ -SOL ,YÜKLEYİCİ
RAM, CLAMSHOVEL, RIGHT- LEFT, LOADER**

NO NO	PARÇA NO PART NO	TANIM	DESCRIPTION	ADET QTY	S.K. S.C.	SERİ NO SERIAL NO	D.T. ICA	NOT NOTE
1	156/21200	SİLİNDİR, AÇILIR KEPÇE	RAM, CLAMSHOVEL	1				
2	N05/0220140	SEGMAN	RETAINING RING	2				
3	207/00210	BURÇ	BUSH	2				
4	208/45050	SİLİNDİR MİLİ	ROD	1				
5	202/22020	BOĞAZ	CAP, END	1				
6	N10/2005230	O-RING	O-RING	1	K1			
7	N10/7304004	TAMPON KEÇESİ	SEAL	1	K1			
8	N10/4304007	BOĞAZ KEÇESİ	U- CAP	1	K1			
9	N10/5303806	TOZ KEÇESİ	SCRAPER	1	K1			
10	N10/0303555	YATAKLAMA BANDI	GUIDE RING	2	K1			
11	N10/2004535	O-RING	O-RING	1	K1			
12	S48/90920	BOĞAZ TAMİR TAKIMI	SEAL, KIT, END CAP	1	(K1)			
13	209/22050	SİLİNDİR BORUSU	CYLINDER	1				
14	N04/3120674	VİDA M8x8	SCREW M8x8	1				
15	N09/9001060	ÇELİK BİLYA	STEEL BALL	1				
16	201/21180	PİSTON	PISTON	1				
17	S48/80735	PİSTON TAMİR TAKIMI	SEAL KIT, PISTON	1	(K2)			
18	N10/2002530	PİSTON ORINGI	O-RING	1	K2			
19	N10/3395004	PİSTON KEÇESİ	SEAL, PISTON	1	K2			
20	N10/0455056	YATAKLAMA BANDI	GUIDE RING	2	K2			

S?L?ND?R, AÇILIR KEPÇE, SOL, YÜKLEY?C?
RAM, CLAMSHOVEL, LEFT, LOADER



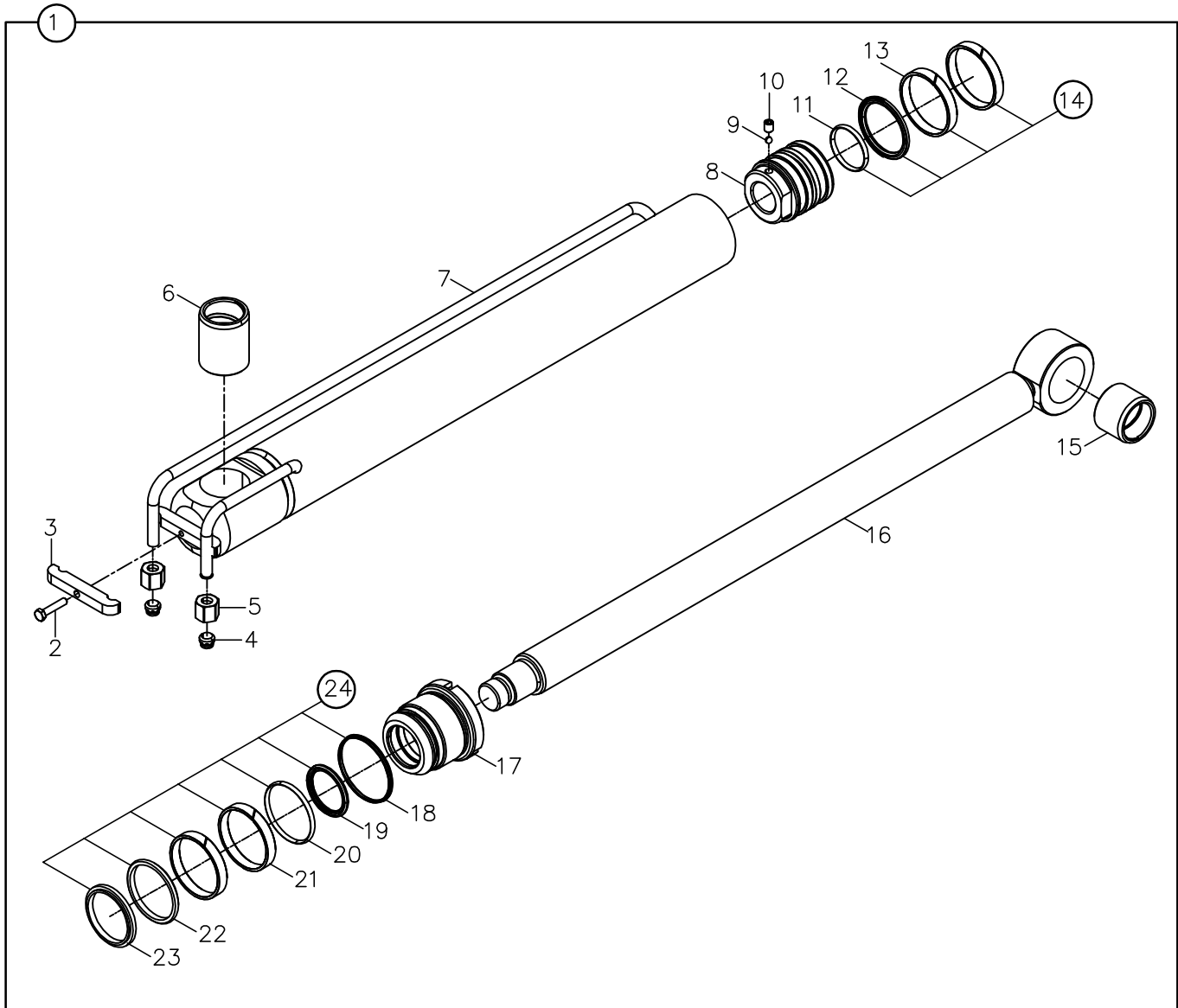
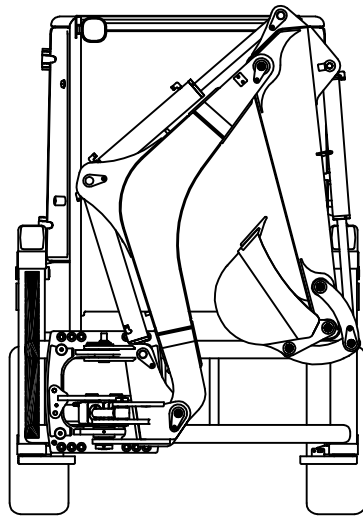
S?L?ND?R, AYAK, SA?
RAM, STABILISER, RIGHT



SİLİNDİR, AYAK (SAĞ)
RAM, STABILISER (RIGHT)

NO NO	PARÇA NO PART NO	TANIM	DESCRIPTION	ADET QTY	S.K. S.C.	SERİ NO SERIAL NO	D.T. ICA	NOT NOTE
1	152/20170	SİLİNDİR, AYAK	RAM, STABILISER	1				
2	N01/0221574	ÇİVATA M6x30	BOLT M6x30	1				
3	810/52120	KELEPÇE ÜST PARÇASI	COVER, CLAMP	1				
4	N18/3570164	YÜZÜK	RING	2				
5	N17/3570164	SOMUN	NUT	2				
6	802/01601	BURÇ	BUSH	1				
7	209/20058	SİLİNDİR BORUSU	CYLINDER	1				
8	201/21050	PİSTON	PISTON	1				
9	N09/9001060	ÇELİK BİLYA	STEEL BALL	1				
10	N04/3120686	VİDA M8x10	SCREW M8x10	1				
11	N10/2003935	O-RING, PİSTON	O-RING	1	K1			
12	N10/3496004	PİSTON KEÇESİ	SEAL, PISTON	1	K1			
13	N10/1556097	PİSTON YATAKLAMA BANDI	GUIDE RING, PISTON	2	K1			
14	S48/80726	PİSTON TAMİR TAKIMI	SEAL KIT, PISTON	1	(K1)			
15	802/01032	BURÇ	BUSH	1				
16	208/45160	SİLİNDİR MİLİ	ROD	1				
17	202/22050	BOĞAZ	CAP, END	1				
18	N10/2006126	O-RING	O-RING		K2			
19	N10/4405007	BOĞAZ KEÇESİ	U- CAP	1	K2			
20	N10/2005435	O-RING, BOĞAZ	O-RING	1	K2			
21	N10/0404597	YATAKLAMA BANDI	GUIDE RING	2	K2			
22	N10/7405004	TAMPON KEÇESİ	U-CAP	1	K2			
23	N10/5404805	TOZ KEÇESİ	SCRAPER	1	K2			
24	S48/90930	BOĞAZ TAMİR TAKIMI	SEAL, KIT, END CAP	1	(K2)			

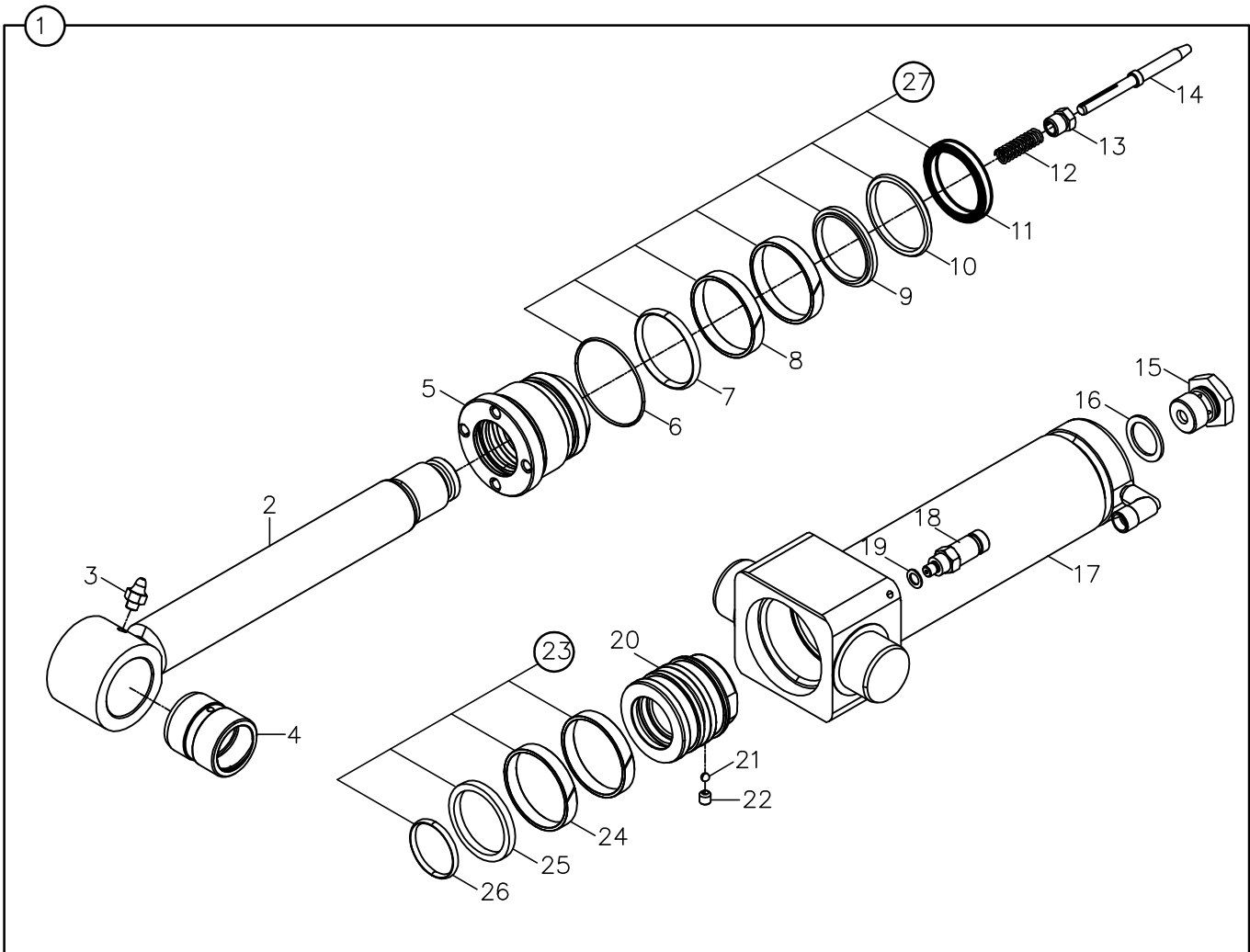
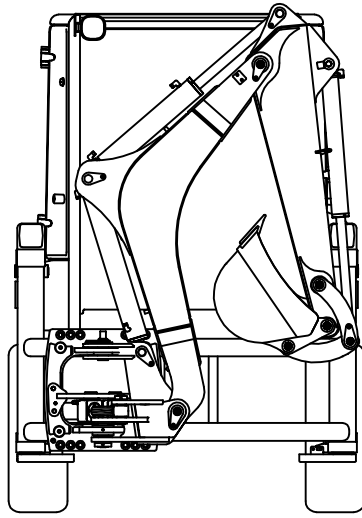
S?L?ND?R, AYAK, SOL
RAM, STABILISER, LEFT



SİLİNDİR, AYAK (SOL)
RAM, STABILİSER (LEFT)

NO NO	PARÇA NO PART NO	TANIM	DESCRIPTION	ADET QTY	S.K. S.C.	SERİ NO SERIAL NO	D.T. ICA	NOT NOTE
1	152/20180	SİLİNDİR, AYAK	RAM, STABILİSER	1				
2	N01/0221574	ÇİVATA M6x30	BOLT M6x30	1				
3	810/52120	KELEPÇE ÜST PARÇASI	COVER, CLAMP	1				
4	N18/3570164	YÜZÜK	RING	2				
5	N17/3570164	SOMUN	NUT	2				
6	802/01601	BURÇ	BUSH	1				
7	209/20055	SİLİNDİR BORUSU	CYLINDER	1				
8	201/21050	PİSTON	PISTON	1				
9	N09/9001060	ÇELİK BİLYA	STEEL BALL	1				
10	N04/3120686	VİDA M8x10	SCREW M8x10	1				
11	N10/2003935	O-RING, PİSTON	O-RING	1	K1			
12	N10/3496004	PİSTON KEÇESİ	SEAL, PİSTON	1	K1			
13	N10/1556097	PİSTON YATAKLAMA BANDI	GUIDE RING, PİSTON	2	K1			
14	S48/80726	PİSTON TAMİR TAKIMI	SEAL KIT, PİSTON	1	(K1)			
15	802/01032	BURÇ	BUSH	1				
16	208/45160	SİLİNDİR MİLİ	ROD	1				
17	202/22050	BOĞAZ	CAP, END	1				
18	N10/2006126	O-RING	O-RING		K2			
19	N10/4405007	BOĞAZ KEÇESİ	U- CAP	1	K2			
20	N10/2005435	O-RING, BOĞAZ	O-RING	1	K2			
21	N10/0404597	YATAKLAMA BANDI	GUIDE RING	2	K2			
22	N10/7405004	TAMPON KEÇESİ	U-CAP	1	K2			
23	N10/5404805	TOZ KEÇESİ	SCRAPER	1	K2			
24	S48/90930	BOĞAZ TAMİR TAKIMI	SEAL, KIT, END CAP	1	(K2)			

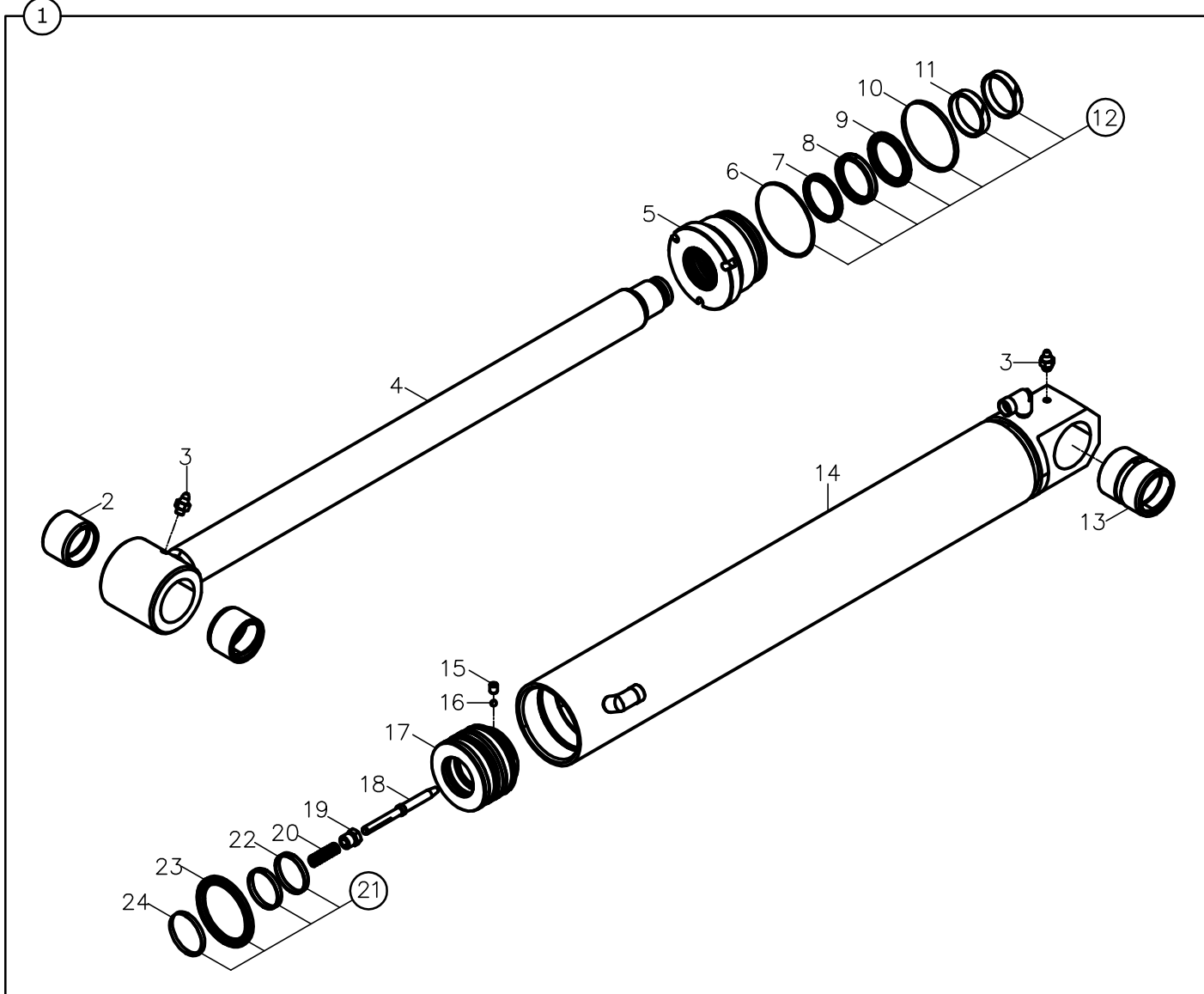
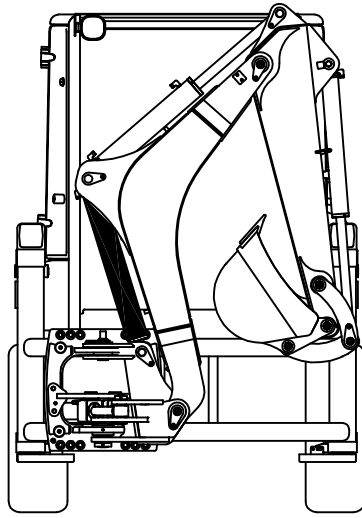
S?L?ND?R, DÖNÜ? (SA?- SOL)
RAM, SLEW SWING (RIGHT- LEFT)



SİLİNDİR, DÖNÜŞ (SAĞ- SOL)
RAM, SLEW SWING (RIGHT- LEFT)

NO NO	PARÇA NO PART NO	TANIM	DESCRIPTION	ADET QTY	S.K. S.C.	SERİ NO SERIAL NO	D.T. ICA	NOT NOTE
1	152/21000	SİLİNDİR, DÖNÜŞ	RAM, SLEW / SWING	1				
2	208/45115	SİLİNDİR MİLİ	ROD	1				
3	N08/1210020	GRESÖRLÜK	GREASE NIPPLE	1				
4	802/01044	BURÇ	BUSH	1				
5	202/22166	BOĞAZ	CAP, END	1				
6	N10/2006426	O-RING	O-RING	1	K1			
7	N10/2005835	O-RING	O-RING	1	K1			
8	N10/0404597	YATAKLAMA BANDI	GUIDE RING	2	K1			
9	N10/5404805	TOZ KEÇESİ	SCRAPER	1	K1			
10	N10/7405506	TAMPON KEÇESİ	SEAL	1	K1			
11	N10/4405007	BOĞAZ KEÇESİ	U- CAP	1	K1			
12	807/02010	YAY	SPRING	1				
13	806/11025	YATAK RAKORU	BOLT, PLUNGER	1				
14	801/07040	FREN MİLİ	PLUNGER, RESTRICTOR	1				
15	814/03009	FREN TAPASI	PLUG	1				
16	N03/0000025	PUL	WASHER	1				
17	209/22113	SİLİNDİR BORUSU	CYLINDER	1				
18	806/24530	NİPEL	ADAPTER	1				
19	N03/0000002	PUL	WASHER	1				
20	201/21066	PİSTON	PISTON	1				
21	N09/9001060	ÇELİK BİLYA	STEEL BALL	1				
22	N04/3120674	VİDA M8x8	SCREW M8x8	1				
23	S48/80728	PISTON TAMİR TAKIMI	SEAL KIT, PISTON	1	(K2)			
24	N10/0586397	PISTON YATAKLAMA BANDI	GUIDE RING, PISTON	2	K2			
25	N10/2003935	PISTON ORINGI	O-RING	1	K2			
26	N10/3476306	PISTON KEÇESİ	SEAL, PISTON	1	K2			
27	S48/90935	BOĞAZ TAMİR TAKIMI	SEAL, KIT, END CAP	1	(K1)			

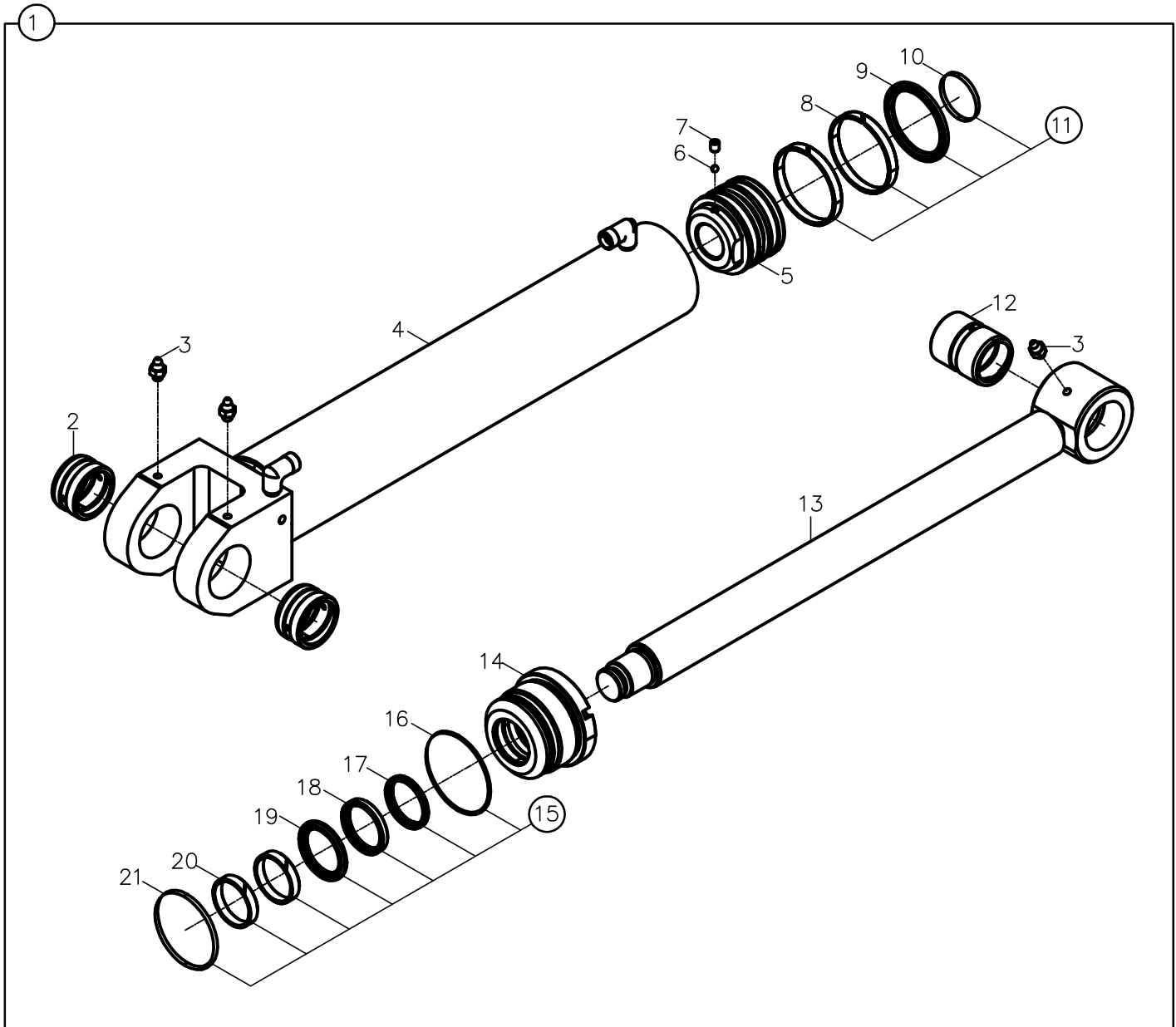
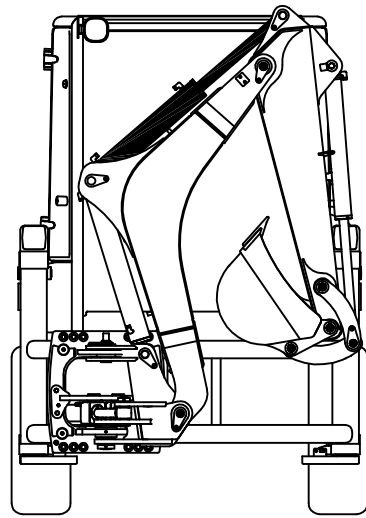
S?L?ND?R, KALDIRICI, KAZICI
RAM, MAIN BOOM, BACKHOE



**SİLİNDİR, KALDIRICI, KAZICI
RAM, MAIN BOOM, BACKHOE**

NO NO	PARÇA NO PART NO	TANIM	DESCRIPTION	ADET QTY	S.K. S.C.	SERİ NO SERIAL NO	D.T. ICA	NOT NOTE
1	154/21100	SİLİNDİR, KALDIRICI	RAM, MAIN BOOM	1				
2	802/01147	BURÇ	BUSH	2				
3	N08/1210020	GRESÖRLÜK	GREASE NIPPLE	2				
4	208/45130	SİLİNDİR MİLİ	ROD	1				
5	202/22170	BOĞAZ	CAP, END	1				
6	N10/2008026	O-RING	O-RING	1	K1			
7	N10/5455305	TOZ KEÇESİ	SCRAPER	1	K1			
8	N10/7446006	TAMPON KEÇESİ	SEAL	1	K1			
9	N10/4455507	BOĞAZ KEÇESİ	U- CAP	1	K1			
10	N10/2007535	O-RING	O-RING	1	K1			
11	N10/0454097	YATAKLAMA BANDI	GUIDE RING	2	K1			
12	S48/90937	BOĞAZ TAMİR TAKIMI	SEAL, KIT, END CAP	1	(K1)			
13	802/01231	BURÇ	BUSH	1				
14	209/22210	SİLİNDİR BORUSU	CYLINDER	1				
15	N04/3120686	VİDA M8x10	SCREW M8x1	1				
16	N09/9001060	ÇELİK BİLYA	STEEL BALL	1				
17	201/21150	PİSTON	PISTON	1				
18	801/07040	FREN MİLİ	PLUNGER, RESTRICTOR	1				
19	806/11025	YATAK RAKORU	ADAPTER	1				
20	807/02010	YAY	SPRING	1				
21	S48/80738	PISTON TAMİR TAKIMI	SEAL KIT, PISTON	1	(K2)			
22	N10/1758097	YATAKLAMA BANDI	GUIDE RING	2	K2			
23	N10/3648006	PISTON KEÇESİ	SEAL, PISTON	1	K2			
24	N10/2004436	ORINGI	O-RING	1	K2			

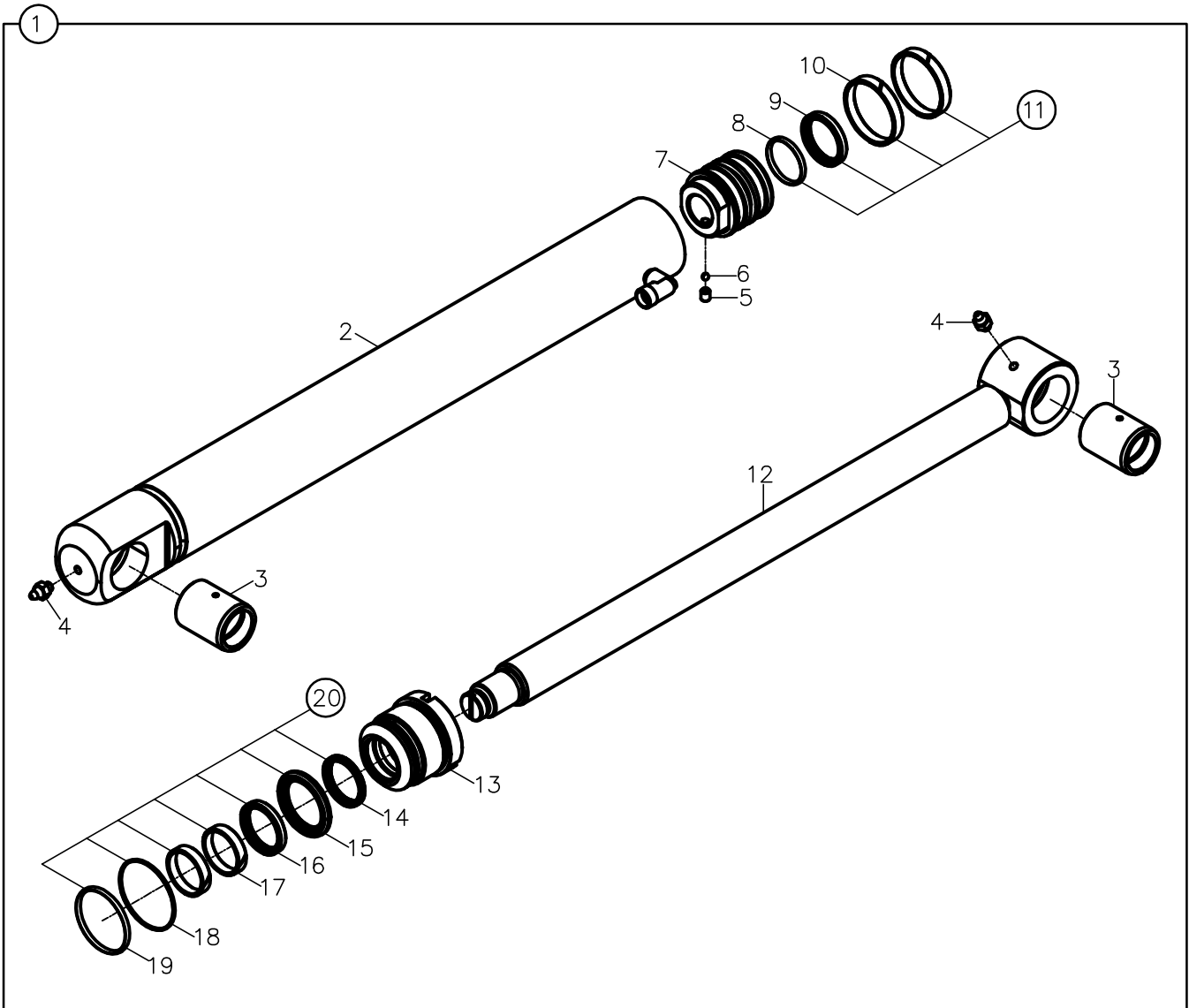
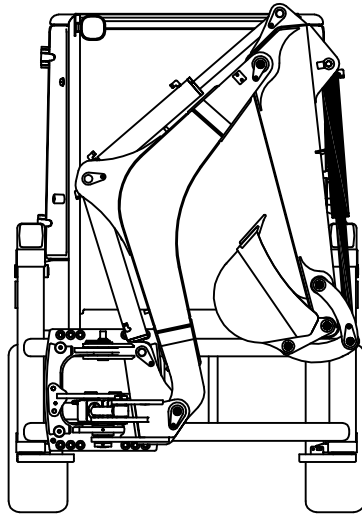
S?L?ND?R, DEV?R?C?, KAZICI
RAM, DIPPER, BACKHOE



**SİLİNDİR, DEVİRİCİ, KAZICI
RAM, DIPPER, BACKHOE**

NO NO	PARÇA NO PART NO	TANIM	DESCRIPTION	ADET QTY	S.K. S.C.	SERİ NO SERIAL NO	D.T. ICA	NOT NOTE
1	154/21000	SİLİNDİR, DEVİRİCİ	RAM, DIPPER	1				
2	802/01229	BURÇ	BUSH	2				
3	N08/1210020	GRESÖRLÜK	GREASE NIPPLE	3				
4	209/22200	SİLİNDİR BORUSU	CYLINDER	1				
5	201/21150	PİSTON	PISTON	1				
6	N09/9001060	ÇELİK BİLYA	STEEL BALL	1				
7	N04/3120686	VİDA M8x10	SCREW M8x10	1				
8	N10/1758097	YATAKLAMA BANDI	GUIDE RING	2	K1			
9	N10/3648006	PISTON KEÇESİ	SEAL, PISTON	1	K1			
10	N10/2004436	ORINGI	O-RING	1	K1			
11	S48/80738	PISTON TAMİR TAKIMI	SEAL KIT, PISTON	1	(K1)			
12	802/01168	BURÇ	BUSH	1				
13	208/45100	SİLİNDİR MİLİ	ROD	1				
14	202/22170	BOĞAZ	CAP, END	1				
15	S48/90937	BOĞAZ TAMİR TAKIMI	SEAL, KIT, END CAP	1	(K2)			
16	N10/2008026	O-RING	O-RING	1	K2			
17	N10/5455305	TOZ KEÇESİ	SCRAPER	1	K2			
18	N10/4455507	BOĞAZ KEÇESİ	U- CAP	1	K2			
19	N10/7446006	TAMPON KEÇESİ	SEAL	1	K2			
20	N10/0454097	YATAKLAMA BANDI	GUIDE RING	2	K2			
21	N10/2007535	O-RING	O-RING	1	K2			

S?L?ND?R, KIVIRICI, KAZICI
RAM, BUCKET, BACKHOE



**SİLİNDİR, KIVIRICI, KAZICI
RAM, BUCKET, BACKHOE**

NO NO	PARÇA NO PART NO	TANIM	DESCRIPTION	ADET QTY	S.K. S.C.	SERİ NO SERIAL NO	D.T. ICA	NOT NOTE
1	152/21100	SİLİNDİR, KIVIRICI	RAM, BUCKET	1				
2	209/22100	SİLİNDİR BORUSU	CYLINDER	1				
3	802/01602	BURÇ	BUSH	2				
4	N08/1210020	GRESÖRLÜK	GREASE NIPPLE	2				
5	N04/3120686	VİDA M8x10	SCREW M8x10	1				
6	N09/9001060	ÇELİK BİLYA	STEEL BALL	1				
7	201/21060	PİSTON	PISTON	1				
8	N10/2003935	PİSTON ORINGI	O-RING	1	K1			
9	N10/3476306	PİSTON KEÇESİ	SEAL, PISTON	1	K1			
10	N10/0586397	PİSTON YATAKLAMA BANDI	GUIDE RING, PISTON	2	K1			
11	S48/80728	PİSTON TAMİR TAKIMI	SEAL KIT, PISTON	1	(K1)			
12	208/45110	SİLİNDİR MİLİ	ROD	1				
13	202/22065	BOĞAZ	CAP, END	1				
14	N10/4405007	BOĞAZ KEÇESİ	U- CAP	1	K2			
15	N10/7405506	TAMPON KEÇESİ	SEAL	1	K2			
16	N10/5404805	TOZ KEÇESİ	SCRAPER	1	K2			
17	N10/0404597	YATAKLAMA BANDI	GUIDE RING	2	K2			
18	N10/2006426	O-RING	O-RING	1	K2			
19	N10/2005835	O-RING	O-RING	1	K2			
20	S48/90935	BOĞAZ TAMİR TAKIMI	SEAL, KIT, END CAP	1	(K2)			

F

**TAHRİK ELEMANLARI
TRANSMISSION COMPONENTS**

F1

**ÖN AKS
FRONT AXLE**

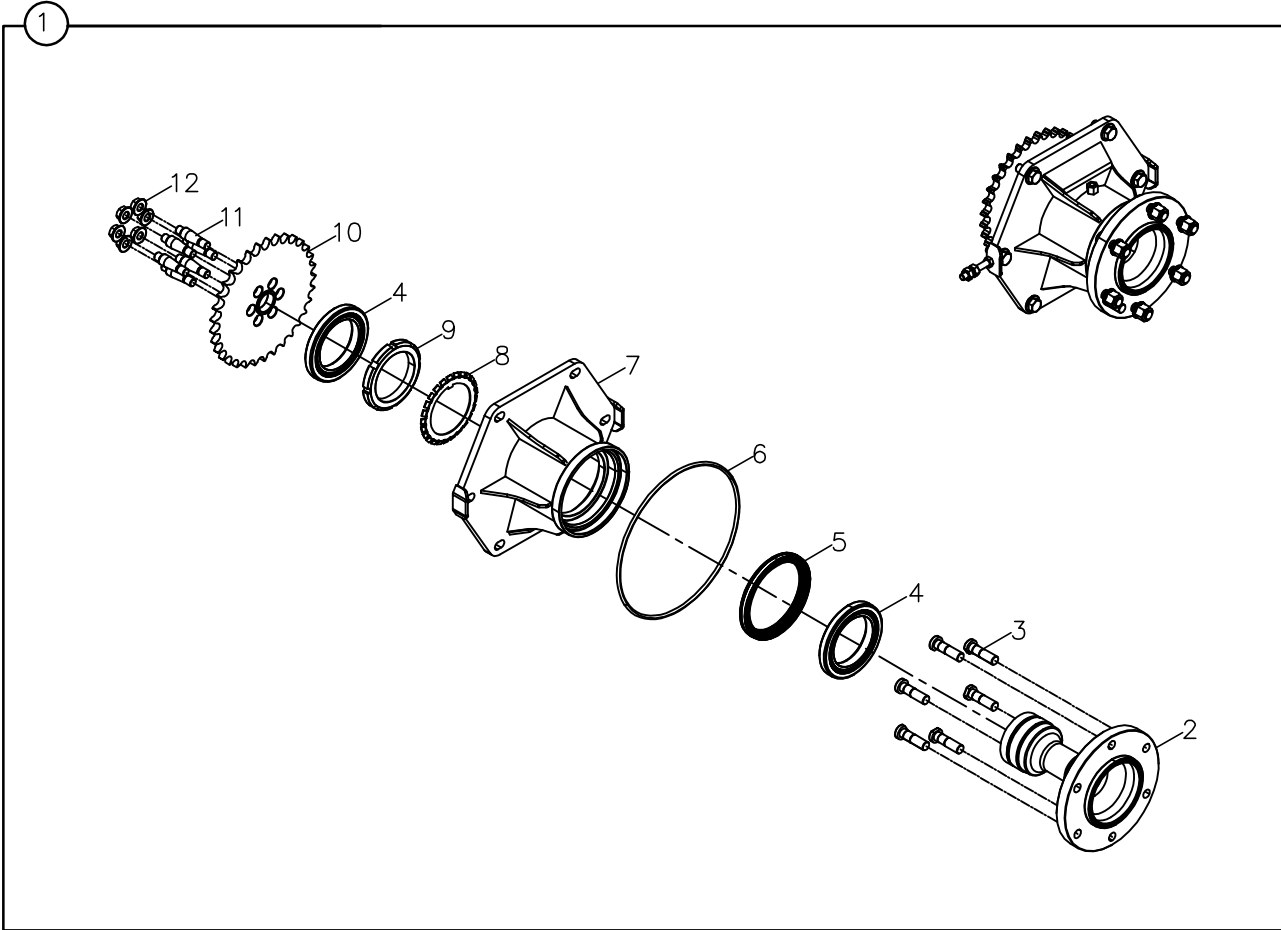
F2

**ARKA AKS
REAR AXLE**

F3

**ŞANZUMAN
TRANSMISSION**

ÖN AKS
FRONT AXLE



ÖN AKS
FRONT AXLE

NO NO	PARÇA NO PART NO	TANIM	DESCRIPTION	ADET QTY	S.K. S.C.	SERİ NO SERIAL NO	D.T. ICA	NOT NOTE
	* M114500100							
1	M114500300	AKS, UZUN	AXLE, LONG	2				
2	M114500600	AKS, UZUN	AXLE, LONG	1				
3	N01/0000218	BİJON CİVATASI	BOLT	6				
4	N09/0500350	RULMAN	BEARING	2				
5	N10/8615181	AKS KEÇESİ	SEAL, AXLE	1				
6	N10/2032307	O-RİNG	O-RING	1				
7	M114500400	PORYA KOVANI	WHEEL HUB	1				
8	M114500800	EMNİYET PULU	WASHER	1				
9	M114500700	AYAR SOMUNU	NUT, ADJUSTING	1				
10	M114501400	ZİNCİR DİŞLİ, Z:34	SPROCKET, Z:34	1				
11	M114501500	AKS SAPLAMASI	STUD, AXLE	6				
12	N02/8320300	FLANŞLI SOMUN	NUT	6				

F

**TAHRİK ELEMANLARI
TRANSMISSION COMPONENTS**

F1

**ÖN AKS
FRONT AXLE**

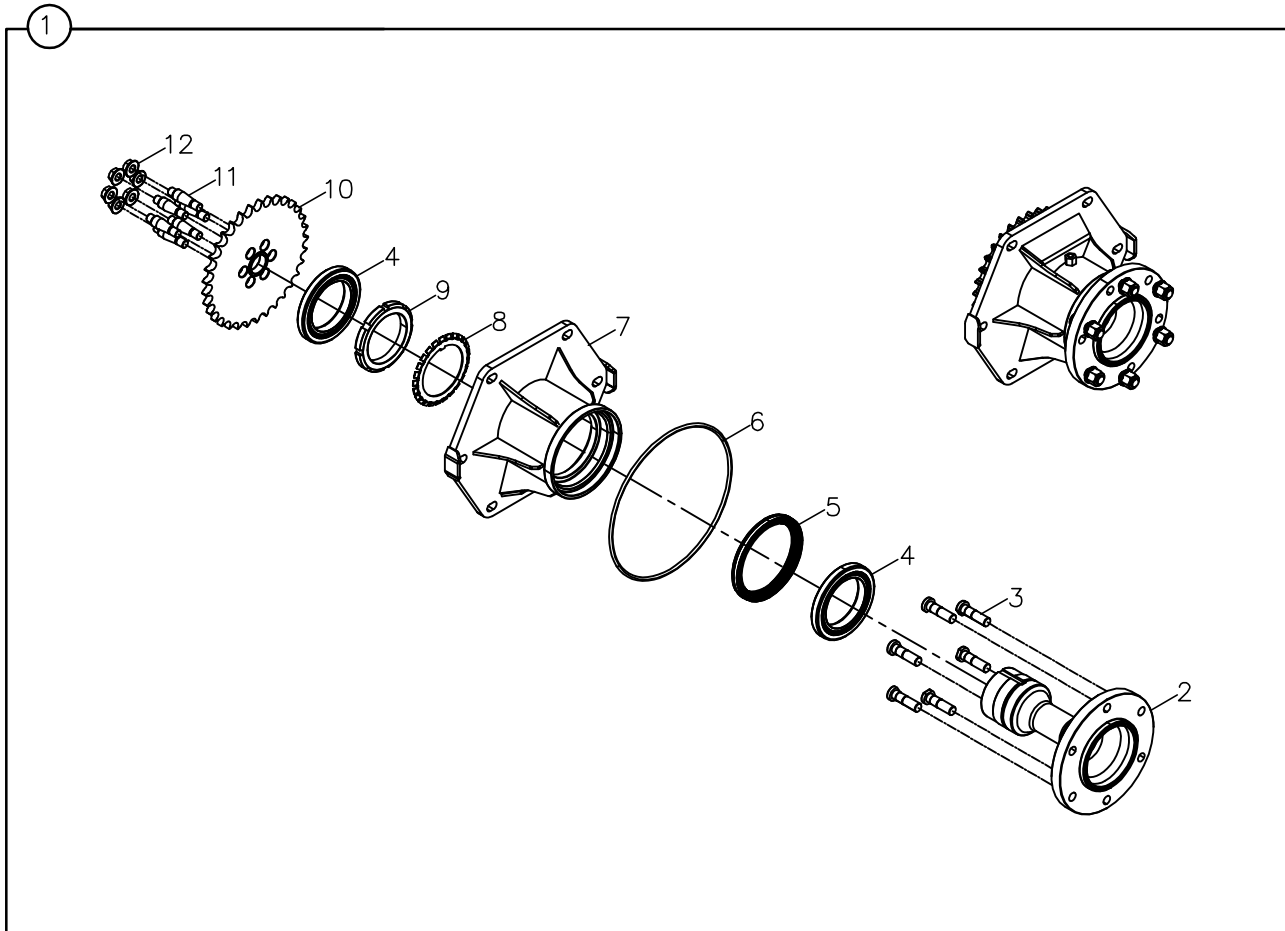
F2

**ARKA AKS
REAR AXLE**

F3

**ŞANZUMAN
TRANSMISSION**

ARKA AKS
REAR AXLE



ARKA AKS
REAR AXLE

NO NO	PARÇA NO PART NO	TANIM	DESCRIPTION	ADET QTY	S.K. S.C.	SERİ NO SERIAL NO	D.T. ICA	NOT NOTE
	* M114500100							
1	M114500200	AKS, KISA	AXLE, SHORT	2				
2	M114500500	AKS, KISA	AXLE, SHORT	1				
3	N01/0000218	BİJON CİVATASI	BOLT	6				
4	N09/0500350	RULMAN	BEARING	2				
5	N10/8615181	AKS KEÇESİ	SEAL, AXLE	1				
6	N10/2032307	O-RİNG	O-RING	1				
7	M114500400	PORYA KOVANI	WHEEL HUB	1				
8	M114500800	EMNİYET PULU	WASHER	1				
9	M114500700	AYAR SOMUNU	NUT, ADJUSTING	1				
10	M114501400	ZİNCİR DİŞLİ, Z:34	SPROCKET, Z:34	1				
11	M114501500	AKS SAPLAMASI	STUD, AXLE	6				
12	N02/8320300	FLANŞLI SOMUN	NUT	6				

F

**TAHRİK ELEMANLARI
TRANSMISSION COMPONENTS**

F1

**ÖN AKS
FRONT AXLE**

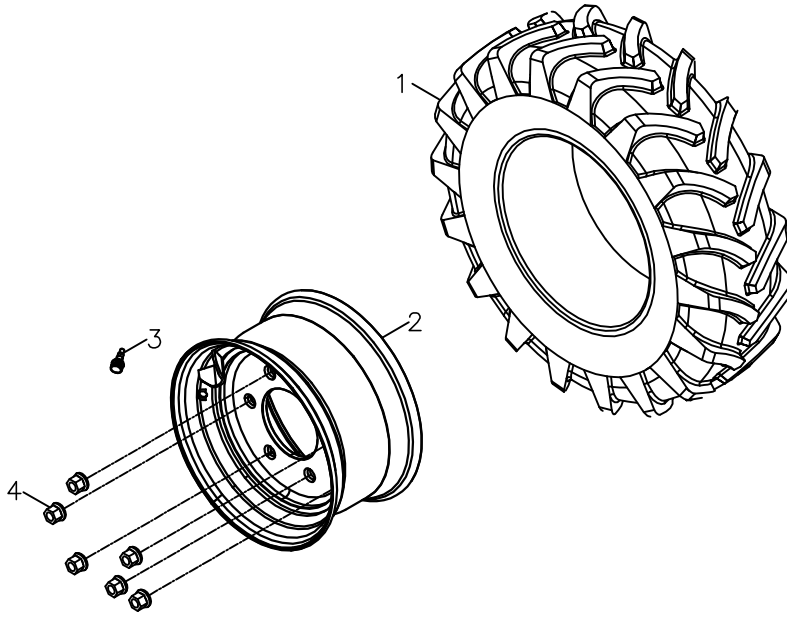
F2

**ARKA AKS
REAR AXLE**

F3

**TEKER VE TAHRİK SİSTEMİ
WHEELS & WHEEL DRIVES**

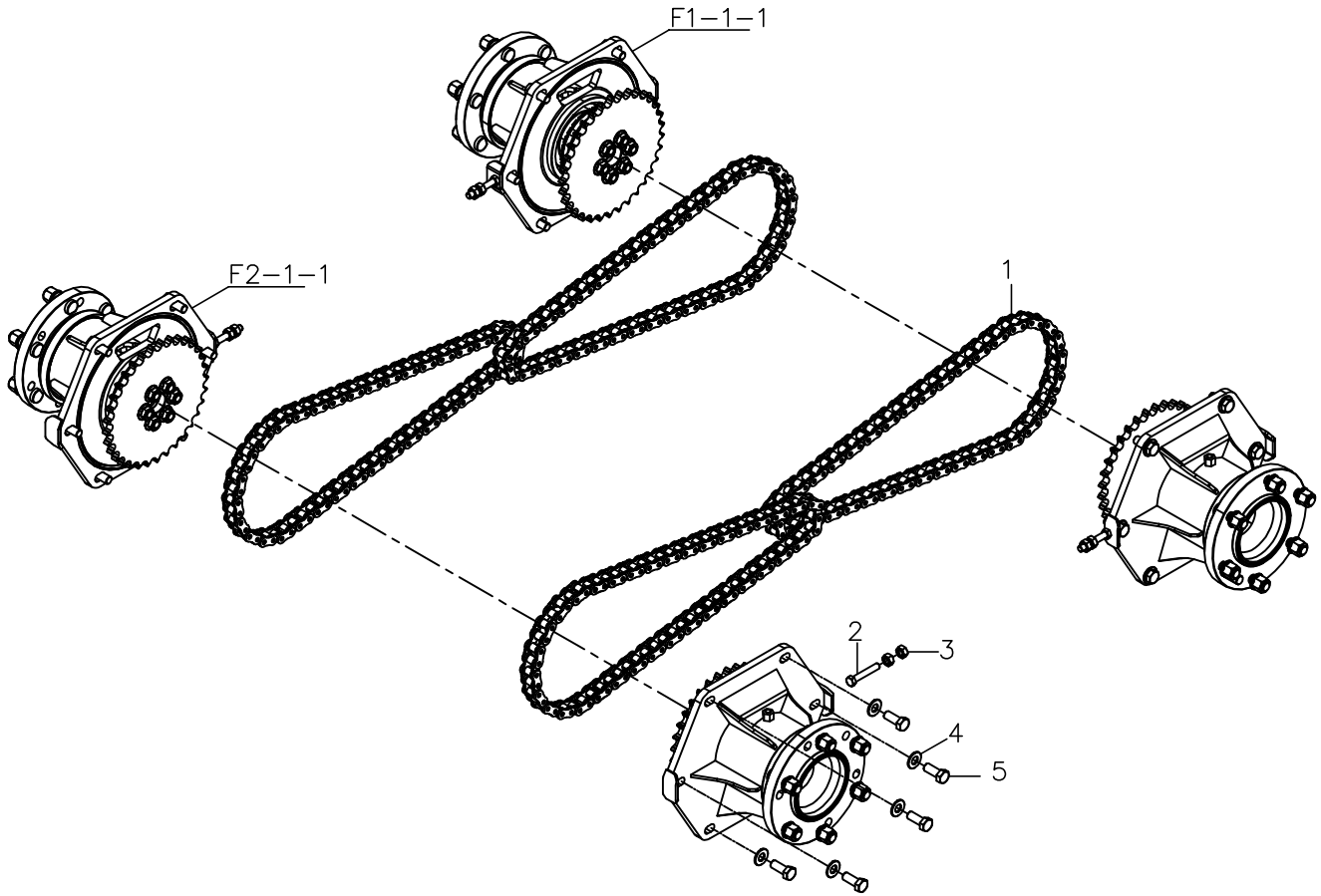
ÖN- ARKA TEKERLEK
WHEEL & TYRE ASSEMBLY, FRONT, REAR



ÖN- ARKA TEKERLEKLER
WHEEL & TYRE ASSEMBLY, FRONT, REAR

NO NO	PARÇA NO PART NO	TANIM	DESCRIPTION	ADET QTY	S.K. S.C.	SERİ NO SERIAL NO	D.T. ICA	NOT NOTE
1	* M114500100							
1	M114501700	LASTİK 10-16.5-10PR	TYRE 10-16.5- 10PR	1				
3	M114501600	JANT	RIM, WHEEL	1				
4	F99/06200	SİBOP	VALVE	1				
4	F06/10519	BİJON SOMUNU M18x1.5	NUT M18x1.5	5				

YÜRÜYÜ? TAHR?K S?STEM?
WHEEL DRIVES



YÜRÜYÜŞ TAHRİK SİSTEMİ
WHEEL DRIVES

NO NO	PARÇA NO PART NO	TANIM	DESCRIPTION	ADET QTY	S.K. S.C.	SERİ NO SERIAL NO	D.T. ICA	NOT NOTE
	* M114500100							
1	M114501800	ZİNCİR	CHAIN	4				
2	N01/0232942	CİVATA M12x70	BOLT M12x70	4				
3	N02/3580242	SOMUN M12	NUT M12	8				
4	N03/0100027	PUL M16	WASHER M16	24				
5	N01/0233578	CİVATA M16x40	BOLT M16x40	24				

G

**MOTOR
ENGINE**

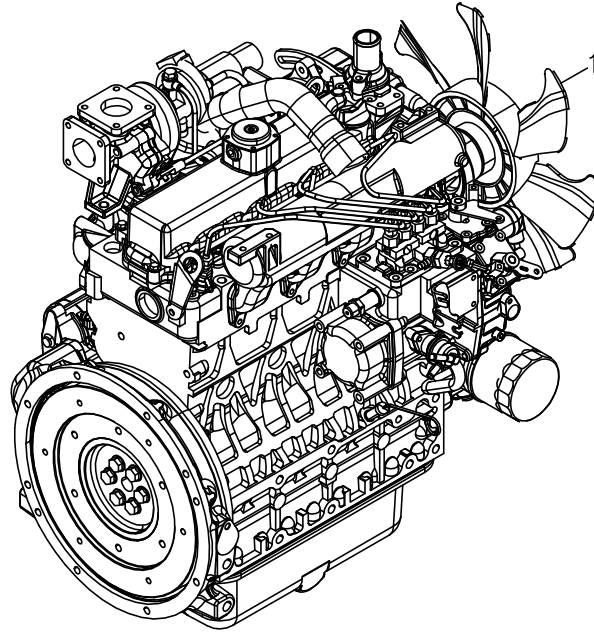
G1

**MOTOR 4045HF280
ENGINE 4045HF280**

G2

**MOTOR MONTAJLARI
ENGINE ASSEMBLY**

MOTOR, V2403-M-T-E3B-EU (TIER4)
ENGINE, V2403-M-T-E3B-EU (TIER4)



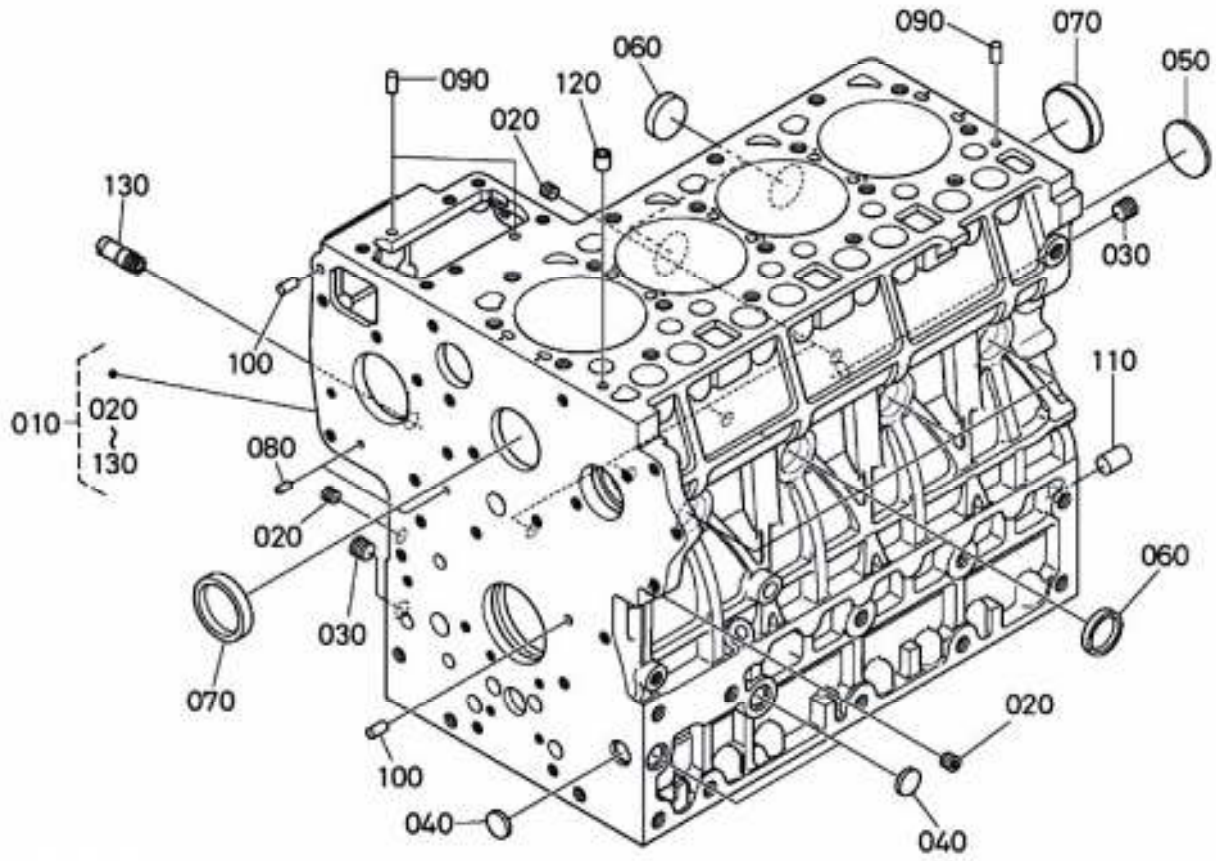
MOTOR, V2403-M-T-E3B-EU(TIER4)

ENGINE, V2403-M-T-E3B-EU(TIER4)

NO NO	PARÇA NO PART NO	TANIM	DESCRIPTION	ADET QTY	S.K. S.C.	SERİ NO SERIAL NO	D.T. ICA	NOT NOTE
1	M112002800	MOTOR, TIER 4	ENGINE, TIER 4	1				(1)

NOT / NOTE: (1) SİPARİŞLERDE MAKİNA SERİ NO İLE BİRLİKTE MOTOR SERİ NO DA MUTLAKA BİLDİRİLMELİDİR. /
WHILE ORDERING ENGINE SERIAL NO MUST BE INFORMED WITH MACHINE SERIAL NO.

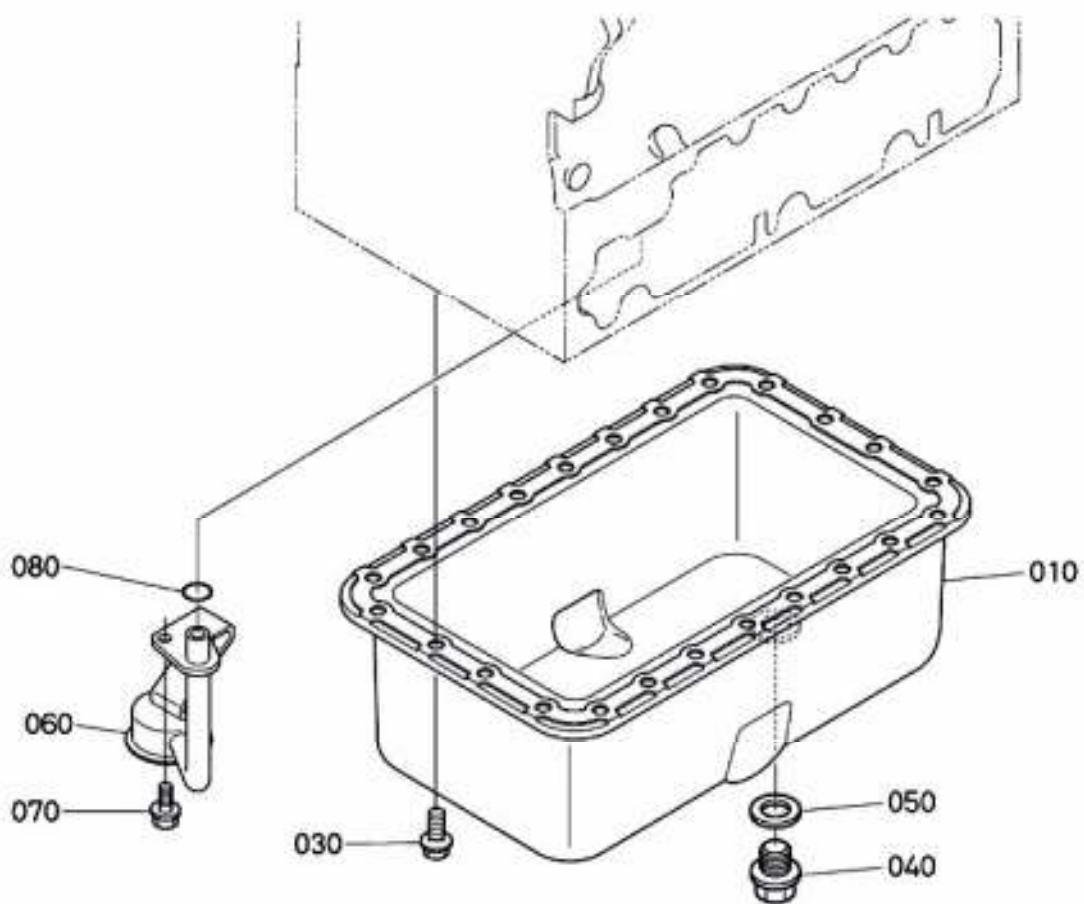
KRANK KARTER?
CRANKCASE



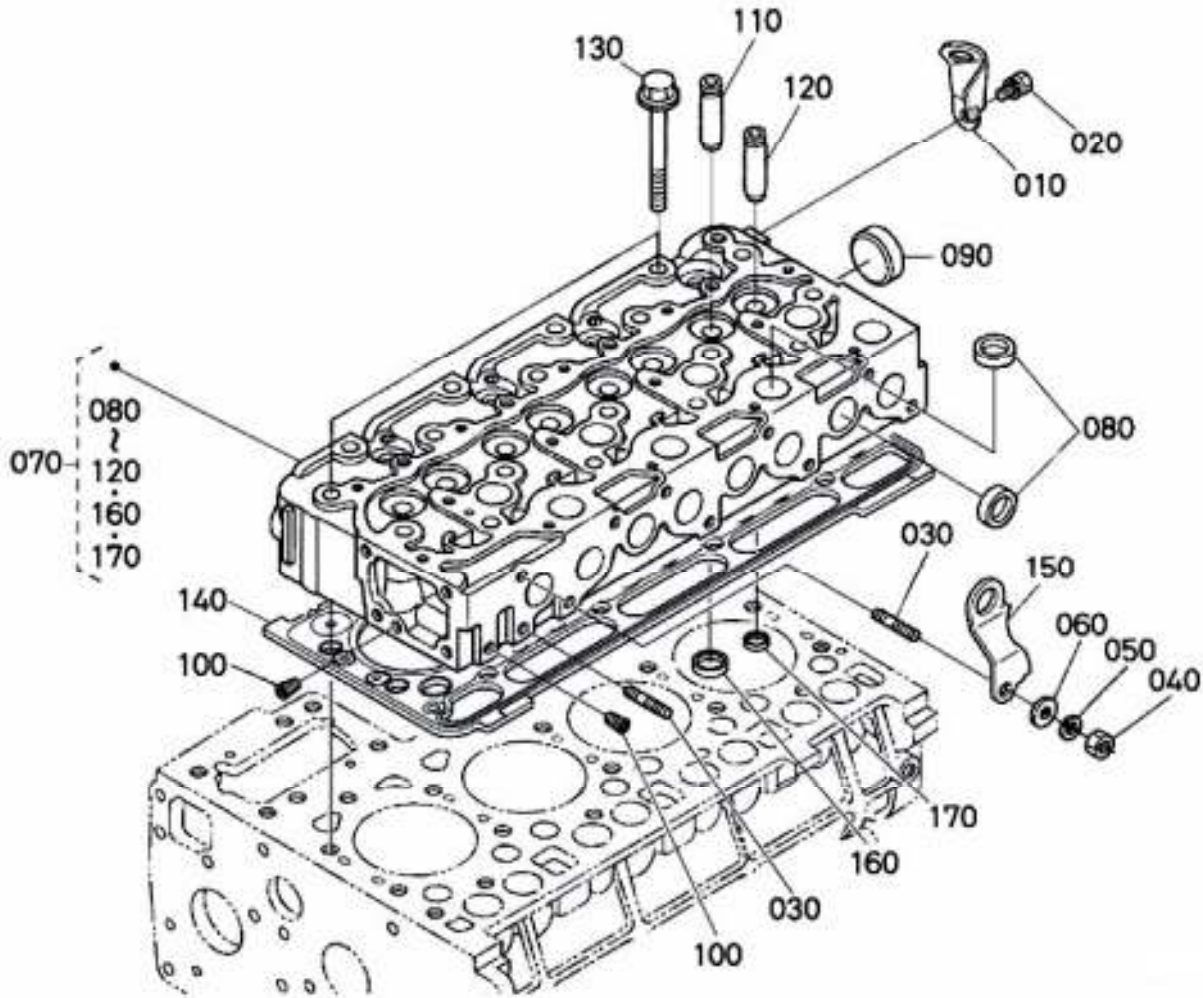
KRANK KARTERİ
CRANKCASE

NO NO	PARÇA NO PART NO	TANIM	DESCRIPTION	ADET QTY	S.K. S.C.	SERİ NO SERIAL NO	D.T. ICA	NOT NOTE
010	M118001000	KRANK KARTERİ, KOMPL.	COMP.CRANKCASE	1				
020	M118001010	TAPA	PLUG	6				
030	M118001020	TAPA	PLUG	2				
040	M118001030	TAPA, GENLEŞME	PLUG. EXPANSION	3				
050	M118001040	TAPA, GENLEŞME	PLUG. EXPANSION	1				
060	M118001050	KAPAK, KEÇE	CAP. SEALING	6				
070	M118001060	KAPAK, KEÇE	CAP. SEALING	2				
080	M118001070	PİM	PIN. STRAIGHT	2				
090	M118001080	PİM	PIN. STRAIGHT	3				
100	M118001090	PİM	PIN. STRAIGHT	2				
110	M118001100	PİM	PIN. STRAIGHT	1				
120	M118001110	PİM	PIN, PIPE	1				
130	M118001120	BORU, SU GERİ DÖNÜŞ	PIPE, WATER RETURN	1				

YA? KARTER?
OIL PAN



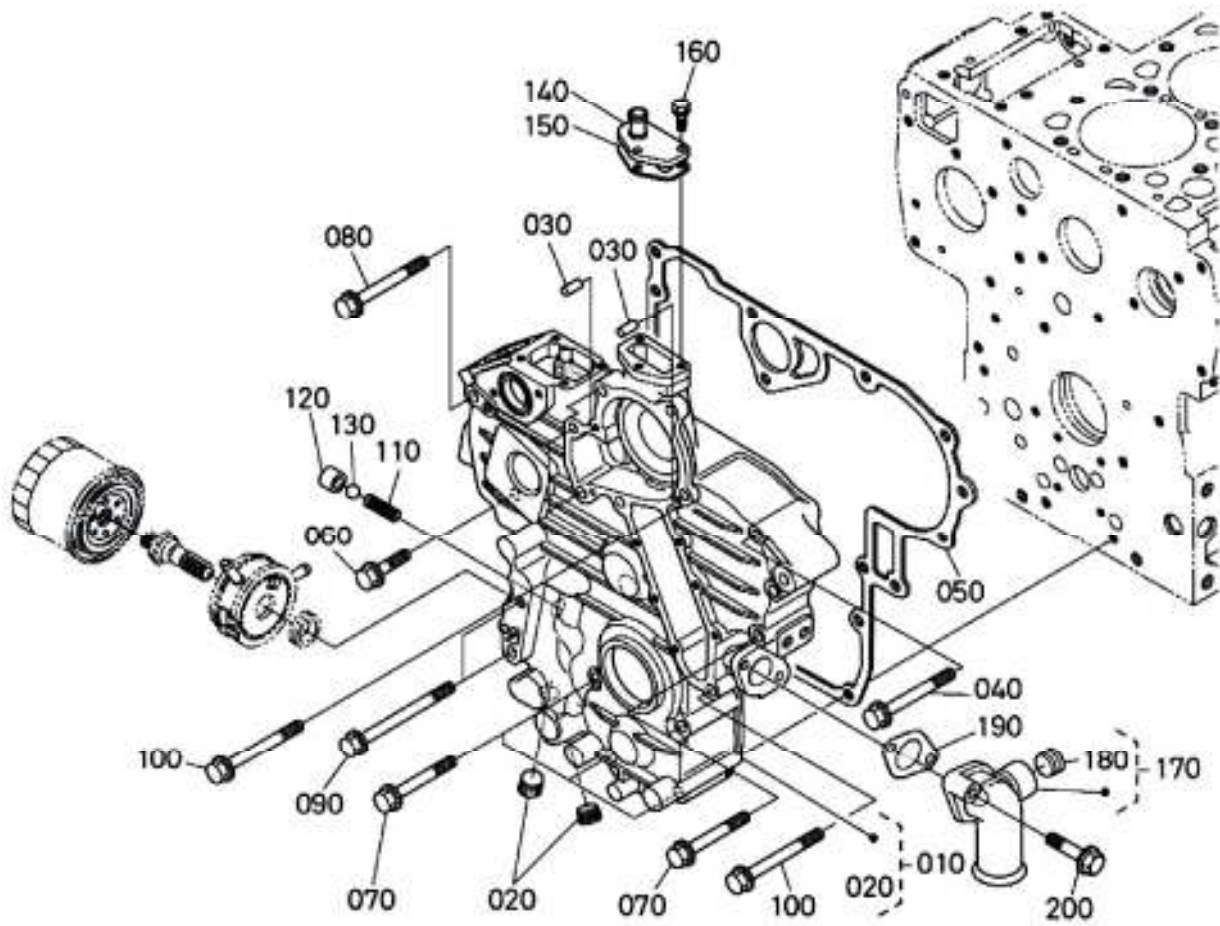
S?L?ND?R KAPA?I
CYLINDER HEAD



SİLİNDİR KAPAĞI
CYLINDER HEAD

NO NO	PARÇA NO PART NO	TANIM	DESCRIPTION	ADET QTY	S.K. S.C.	SERİ NO SERIAL NO	D.T. ICA	NOT NOTE
010	M118001210	ENGINE	HOOK, ENGINE	1				
020	M118001220	ÇİVATA	BOLT	1				
030	M118001230	SAPLAMA	STUD	2				
040	M118001240	SOMUN	NUT	1				
050	M118001250	PUL	WASHER, SPRING	1				
060	M118001260	PUL	WASHER, PLAIN	1				
070	M118001270	SİLİNDİR KAPAĞI, KOMPL.	COMP.CYLINDER HEAD	1				
080	M118001280	KAPAK, KEÇE	CAP, SEALING	12				
090	M118001290	KAPAK, KEÇE	CAP, SEALING	1				
100	M118001300	TAPA	PLUG	2				
110	M118001310	SUBAP, EMME	GUIDE, INLET VALVE	4				
120	M118001320	SUBAP, EGSOZ	GUIDE, VALVE, EXHAUST	4				
130	M118001330	ÇİVATA	BOLT, CYLINDER HEAD	18				
140	M118001340	CONTA	GASKET, CYLINDER HEAD	1				1.15mm
140	M118001350	CONTA	GASKET, CYLINDER HEAD	1				1.20mm
140	M118001360	CONTA	GASKET, CYLINDER HEAD	1				1.25mm
140	M118001370	CONTA	GASKET, CYLINDER HEAD	1				1.30mm
140	M118001380	CONTA	GASKET, CYLINDER HEAD	1				1.35mm
150	M118001390	KANCA, MOTOR	HOOK, ENGINE	1				
160	M118002760	YUVA	SEAT, INLET VALVE	4				
170	M118002770	YUVA	SEAT, EXHAUST VALVE	4				

D??L? KAPA?
GEAR CASE



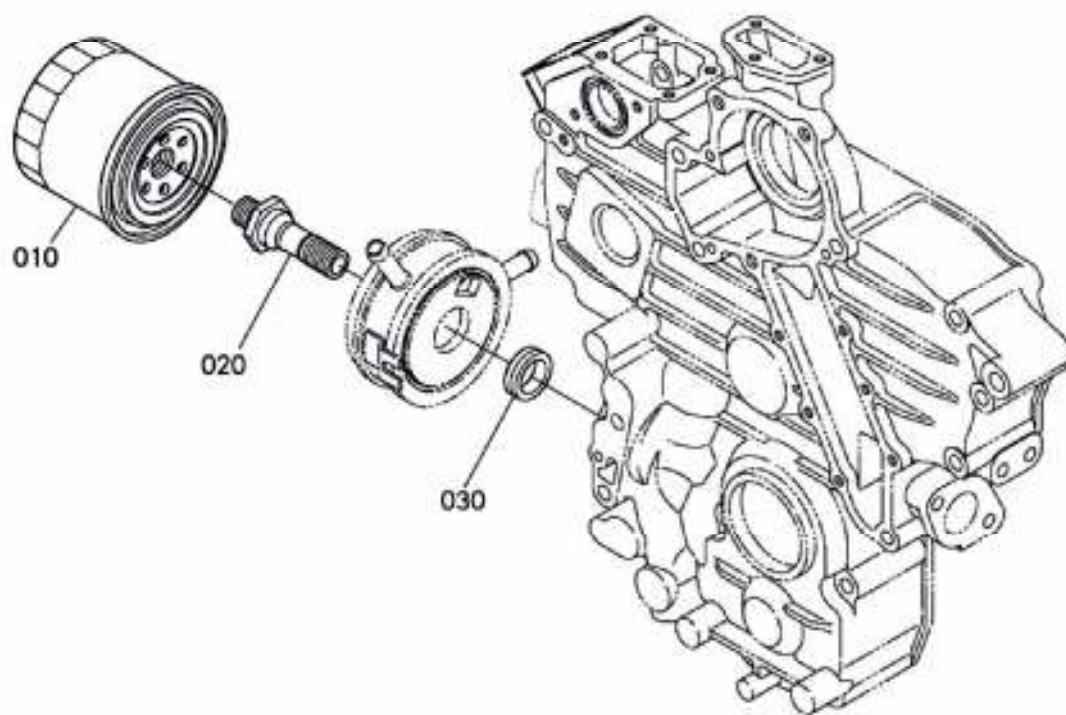
DİŐLİ KAPAĐI
GEAR CASE

NO NO	PARĐA NO PART NO	TANIM	DESCRIPTION	ADET QTY	S.K. S.C.	SERİ NO SERIAL NO	D.T. ICA	NOT NOTE
010	M118001400	KAPAK, DİŐLİ KOMPL.	COMP. CASE, GEAR	1				
020	M118001410	TAPA	PLUG	2				
030	M118001420	PİM	PIN. STRAIGHT	1				
040	M118001430	O-RING	O-RING	2				
050	M118001440	O-RING	O-RING	1				
060	M118001590	PIN	PIN, STRAIGHT	2				
070	M118001470	CONTA	GASKET, GEAR CASE	1				
080	M118001500	CİVATA	BOLT, FLANGE	1				
090	M118001510	CİVATA	BOLT, FLANGE	2				
100	M118001520	CİVATA	BOLT, FLANGE	4				
110	M118001530	YAY	SPRING	1				
120	M118001540	YUVA, KEĐE	SEAT, VALVE	1				
130	M118001550	BİLYA	BALL	1				
140	M118001560	FLANŐ, SU DÖNÜŐ	FLANGE, WATER RETURN	1				
150	M118001570	CONTA	GASKET, RETURN FLANGE	1				
160	M118001580	CİVATA	BOLT	3				
170	M118001600	FLANŐ, SU KOMPLE	COMP.FLANGE WATER	1				
180	M118004730	TAPA	PLUG	1				
190	M118001610	CONTA	GASKET, WATER FLANGE	1				
200	M118001490	CİVATA	BOLT, FLANGE	2				

KÜLBÜTÖR KAPAĞI
HEAD COVER

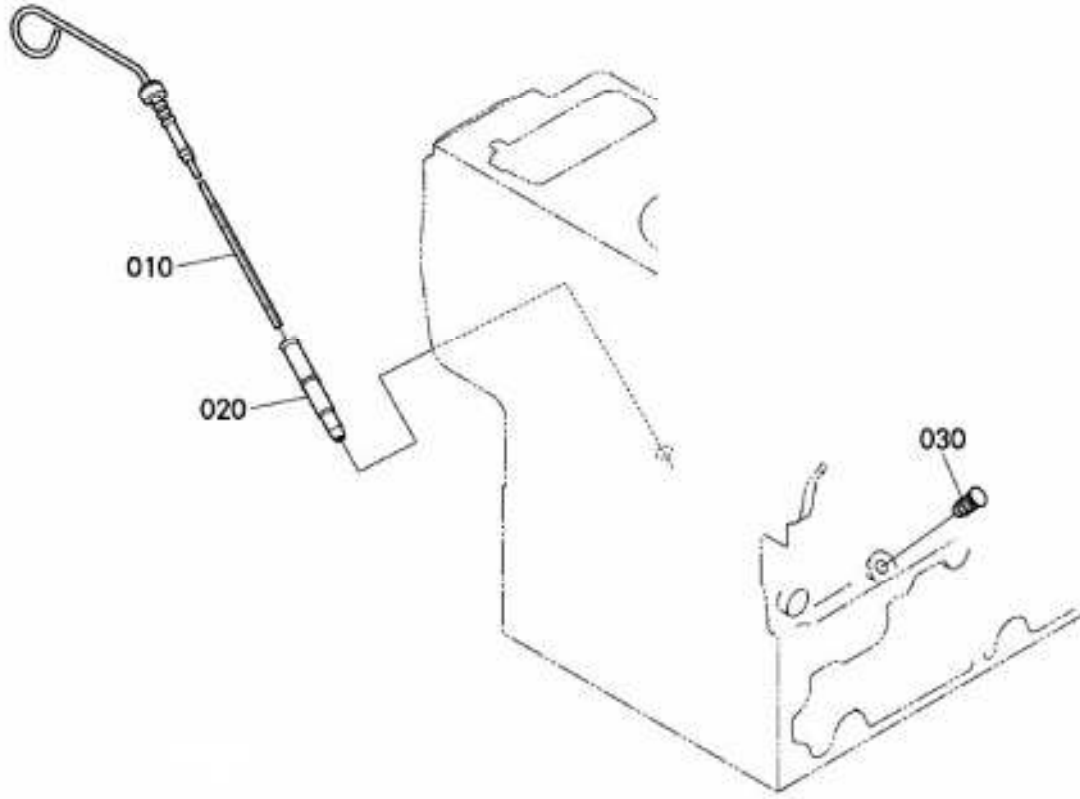
NO NO	PARÇA NO PART NO	TANIM	DESCRIPTION	ADET QTY	S.K. S.C.	SERİ NO SERIAL NO	D.T. ICA	NOT NOTE
010	M118001640	BORU, HAVALANDIRMA	TUBE, BREATHER TURBO	1				
020	M118001650	KELEPÇE	CLAMP, HOSE	2				
030	M118001660	KÜLBÜTÖR KAPAĞI KOMPL	ASSY. COVER, CYL. HEAD	1				
050	M118001680	BORU, SU DÖNÜŞ	PIPE, WATER RETURN	1				
060	M118001690	KAPAK, HAVALANDIRMA	COVER, BREATHER	1				
070	M118001700	O-RING, HAVALANDIRMA	O-RING, BREATHER	1				
080	M118001710	KAPAK, KEÇE	CAP, SEALING	1				
090	M118001720	ŞİM, HAVALANDIRMA	SPACER, BREATHER	1				
100	M118001730	VALVE, HAVALANDIRMA	COMP. VALVE, BREATHER	1				
110	M118001740	MUHAFAZA	SHIELD, OIL BREATHER	1				
120	M118001750	HAVALANDIRMA ELEMANI	ELEMENT, BREATHER	2				
130	M118001760	CİVATA	SCREW, PAN- HEAD	4				
140	M118001770	PUL	WASHER, SPRING	4				
150	M118001780	CONTA	GASKET, HEAD COVER	1				
160	M118001790	CİVATA	BOLT	10				
170	M118001800	TAPA, YAĞ FİLTRESİ	PLUG, OIL FILLER	1				
180	M118001810	O-RING	O-RING	1				

YA? F?LTRES?
OIL FILTER



YAĞ KARTERİ
OIL FILTER

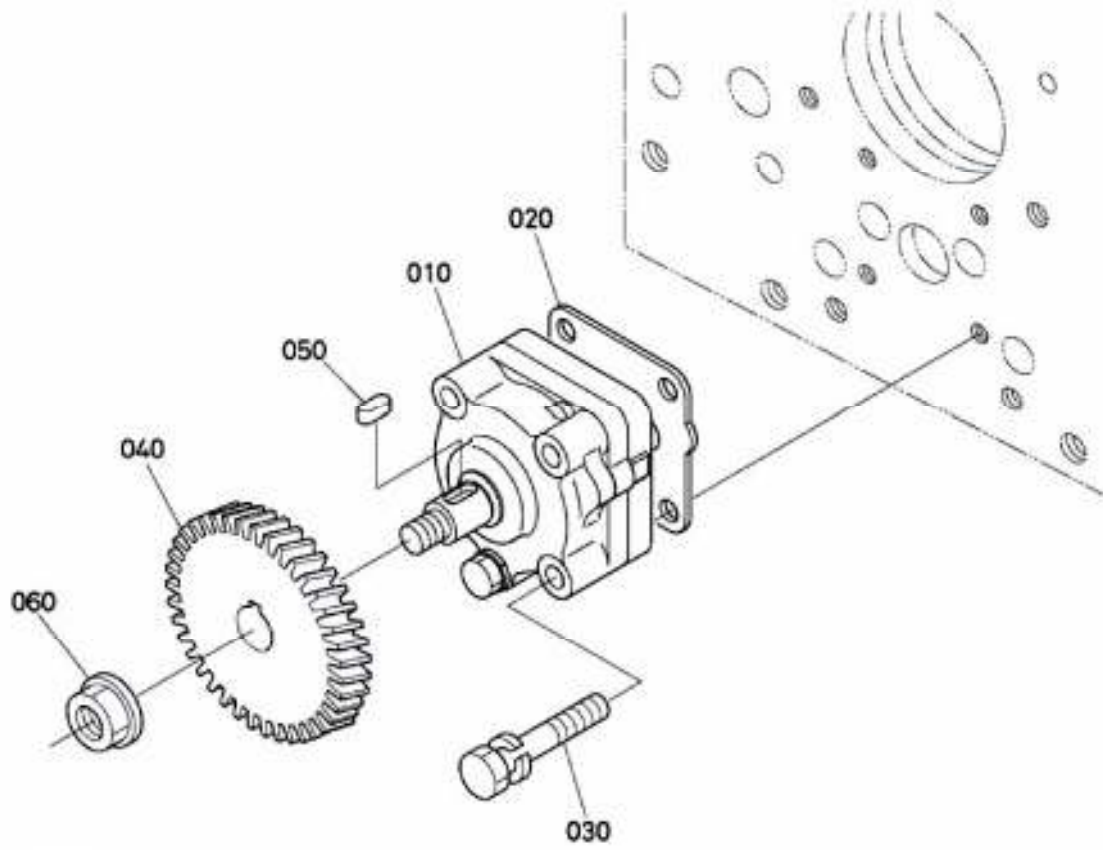
NO NO	PARÇA NO PART NO	TANIM	DESCRIPTION	ADET QTY	S.K. S.C.	SERİ NO SERIAL NO	D.T. ICA	NOT NOTE
010	M118001820	FİLTRE KABI, YAĞ FİLTRESİ	CARTRIDGE, OIL FILTER	1				
020	M118001830	RAKOR	CONNECTOR	1				
030	M118001840	BİLEZİK	COLLAR	1				

YA? SEV?YE ÇUBU?U
DIPSTICK AND GUIDE

**YAĞ SEVİYE ÇUBUĞU
DIPSTICK AND GUIDE**

NO NO	PARÇA NO PART NO	TANIM	DESCRIPTION	ADET QTY	S.K. S.C.	SERİ NO SERIAL NO	D.T. ICA	NOT NOTE
010	M118001850	GÖSTERGE, YAĞ	GAUGE, OIL	1				
020	M118001860	YATAK, YAĞ GÖSTERGE	GUIDE, OIL GAUGE	1				
030	M118001870	TAPA, YAĞ GÖSTERGE	PLUG, OIL GAUGE	1				

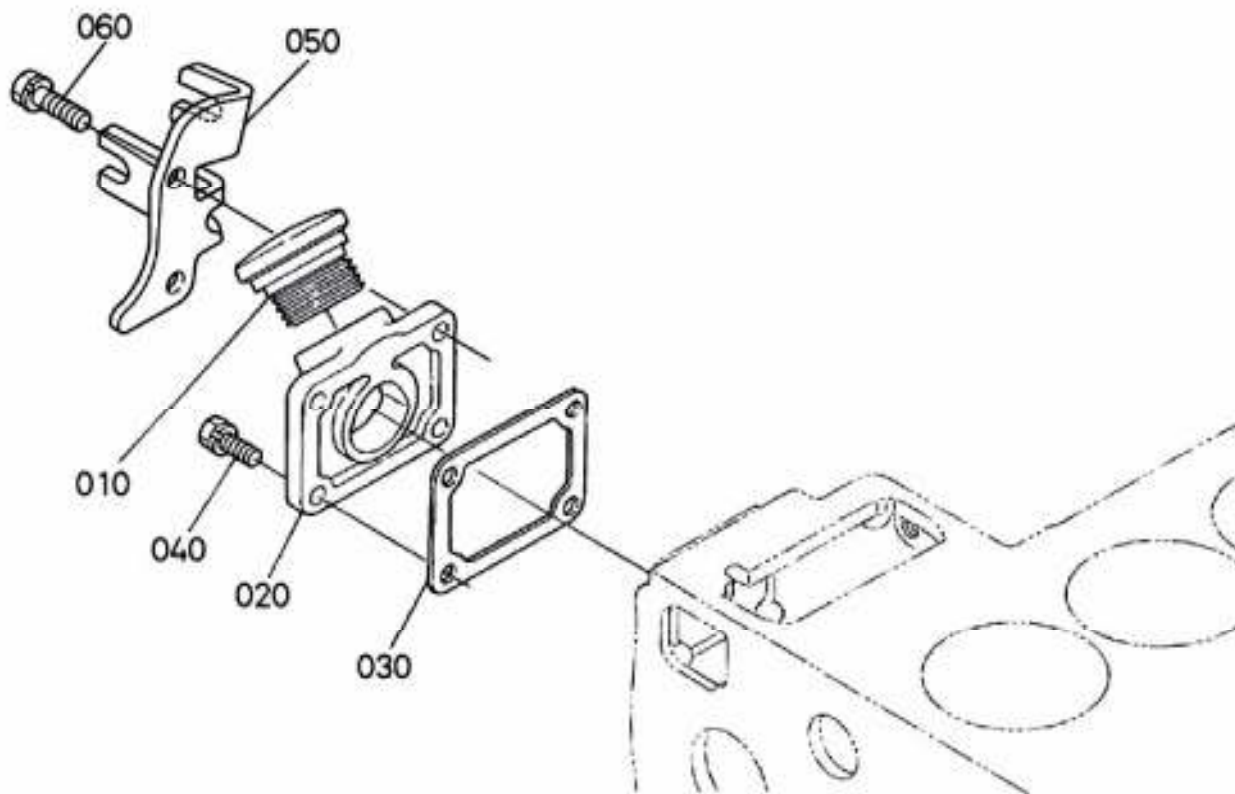
YA? POMPASI
OIL PUMP



YAĞ POMPASI
OIL PUMP

NO NO	PARÇA NO PART NO	TANIM	DESCRIPTION	ADET QTY	S.K. S.C.	SERİ NO SERIAL NO	D.T. ICA	NOT NOTE
010	M118001880	POMPA, YAĞ, KOMPL.	ASSY PUMP, OIL	1				
020	M118001890	CONTA	GASKET, OIL PUMP	1				
030	M118001900	CİVATA	BOLT	4				
040	M118001910	DİŞLİ, YAĞ POMPA TAHRİK	GEAR, OIL PUMP DRIVE	1				
050	M118001920	KAMA	KEY, FEATHER	1				
060	M118001930	SOMUN, FLANŞLI	NUT, FLANGE	1				

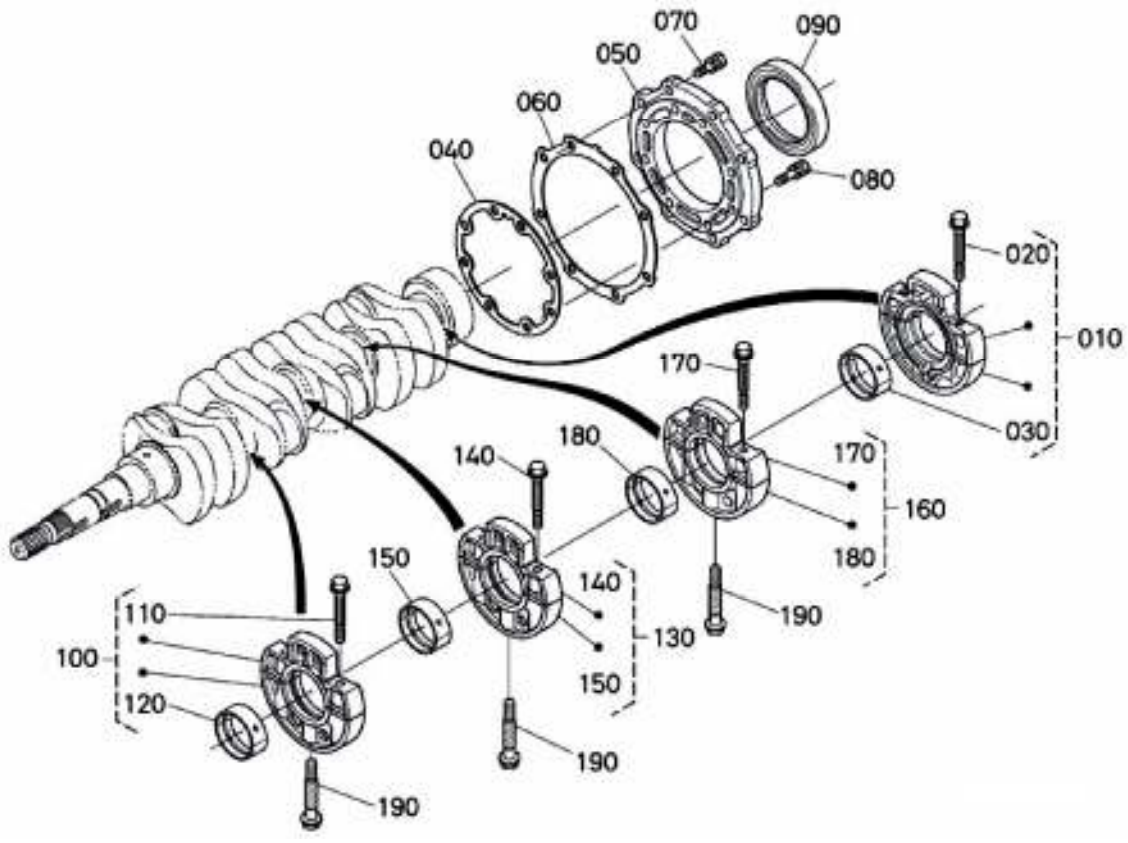
YA? DOLUM FLAN?I
OIL FILLER FLANGE



YAĞ FİLTRE FLANŞI
OIL FILLER FLANGE

NO NO	PARÇA NO PART NO	TANIM	DESCRIPTION	ADET QTY	S.K. S.C.	SERİ NO SERIAL NO	D.T. ICA	NOT NOTE
010	M118004030	TAPA	PLUG, OIL FILLER	1				
020	M118004040	FLANŞ	FLANGE,OIL FILLER	1				
030	M118003820	CONTA	GASKET, PUMP COVER	1				
040	M118004980	CİVATA	BOLT	2				
050	M118003840	BRACKET	BRACKET, ACCEL, CABLE	1				
060	M118001580	CİVATA	BOLT	2				

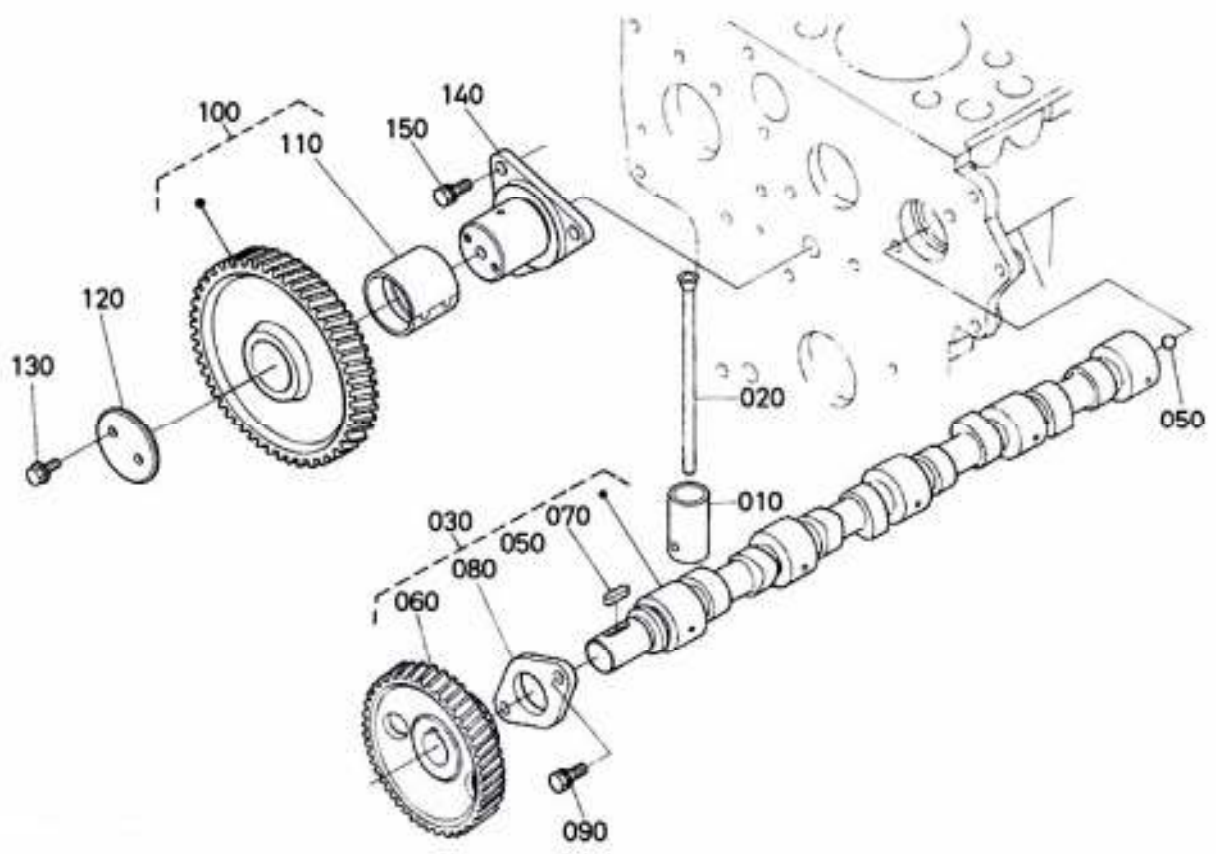
ANA RULMAN YATA?I
MAIN BEARING CASE



ANA RULMAN YATAĞI
MAIN BEARING CASE

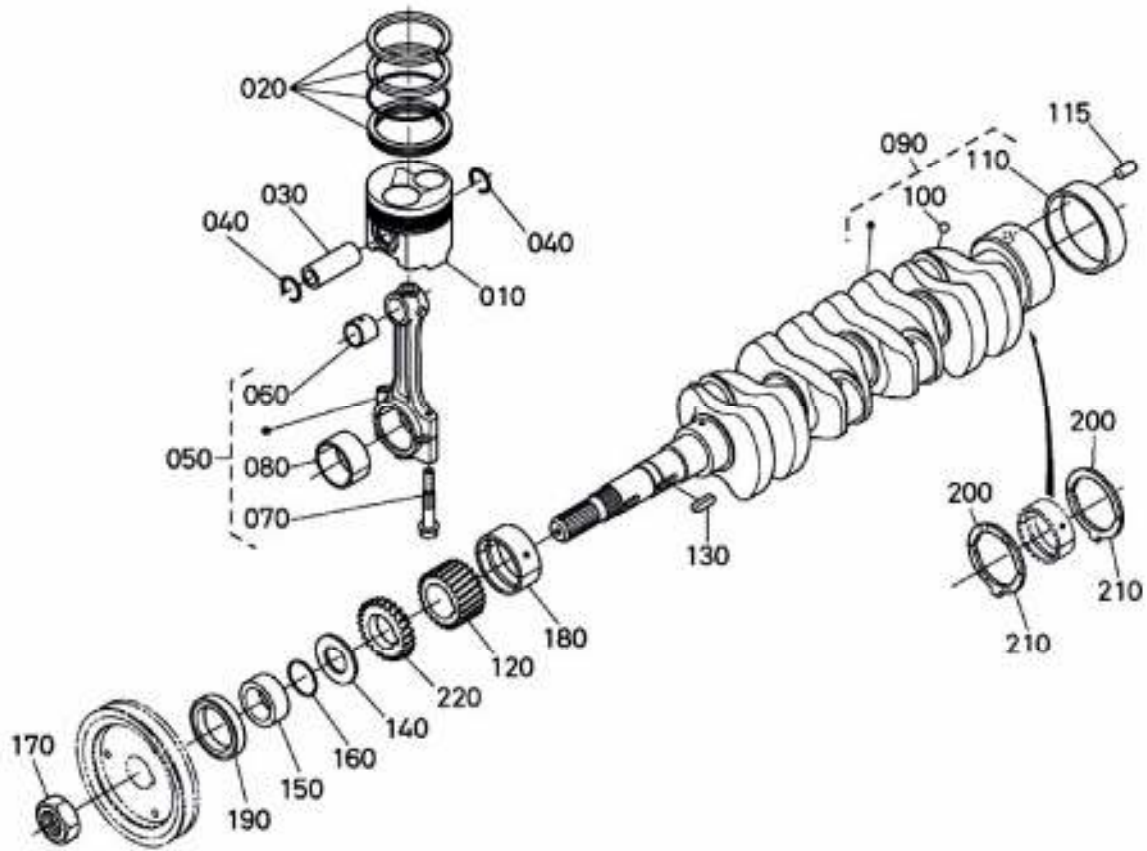
NO NO	PARÇA NO PART NO	TANIM	DESCRIPTION	ADET QTY	S.K. S.C.	SERİ NO SERIAL NO	D.T. ICA	NOT NOTE
010	M118001940	YATAK KAPLAMASI KOMPLE	ASSY BRG. CASE, WHEEL	1				
020	M118001950	CİVATA, RULMAN KAPAĞI	BOLT, BEARING CASE	2				
030	M118001960	YATAK, KRANKMİLİ	METAL, CRANKSHAFT	1				
030	M118001970	YATAK, KRANKMİLİ	METAL, CRANKSHAFT	1				
030	M118001980	YATAK, KRANKMİLİ	METAL, CRANKSHAFT	1				
040	M118001990	CONTA, RULMAN KAPAĞI	GASKET, BEARING CASE	1				
050	M118002000	KAPAK	COVER, BEARING CASE	1				
060	M118002010	CONTA	GASKET, CASE COVER	1				
070	M118002020	CİVATA	BOLT	8				
080	M118002030	CİVATA	BOLT	8				
090	M118002040	KEÇE, YAĞ	SEAL, OIL	1				
100	M118002050	YATAK KAPLAMASI KOMPLE, ANA	ASSY BRG. CASE, MAIN	1				
110	M118001950	CİVATA	BOLT, BEARING CASE	2				
120	M118001960	YATAK, KRANKMİLİ	METAL, CRANKSHAFT	1				
120	M118001970	YATAK, KRANKMİLİ	METAL, CRANKSHAFT	1				
120	M118001980	YATAK, KRANKMİLİ	METAL, CRANKSHAFT	1				
130	M118002100	KAPAK	ASSY BRG. CASE, MAIN	1				
140	M118001950	CİVATA	BOLT, BEARING CASE	2				
150	M118001960	YATAK, KRANKMİLİ	METAL, CRANKSHAFT	1				
150	M118001970	YATAK, KRANKMİLİ	METAL, CRANKSHAFT	1				
150	M118001980	YATAK, KRANKMİLİ	METAL, CRANKSHAFT	1				
160	M118002150	YATAK KAPLAMASI KOMPLE, ANA	ASSY BRG. CASE, MAIN	1				
170	M118001950	CİVATA	BOLT, BEARING CASE	2				
180	M118001960	YATAK, KRANKMİLİ	METAL, CRANKSHAFT	1				
180	M118001970	YATAK, KRANKMİLİ	METAL, CRANKSHAFT	1				
180	M118001980	YATAK, KRANKMİLİ	METAL, CRANKSHAFT	1				
190	M118002200	CİVATA	BOLT, BEARING CASE	3				

KAM M?L? VE AVARE D??L? ?AFTI
CAMSHAFT AND IDLE GEAR SHAFT



**KAM MİLİ VE AVARE DİŞLİ ŞAFTI
CAMSHAFT AND IDLE GEAR SHAFT**

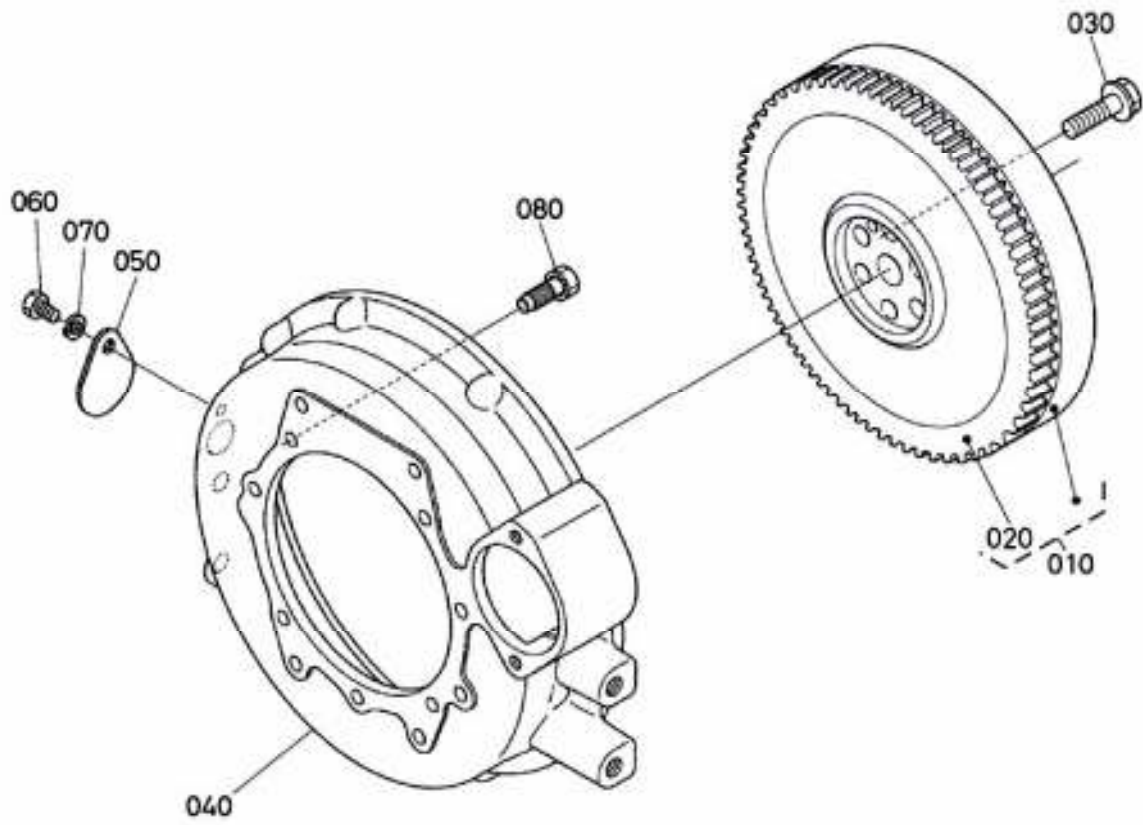
NO NO	PARÇA NO PART NO	TANIM	DESCRIPTION	ADET QTY	S.K. S.C.	SERİ NO SERIAL NO	D.T. ICA	NOT NOTE
010	M118002210	FİNCAN	TAPPET	8				
020	M118002220	ÇUBUK, İTME, KAM	PUSH ROD	8				
030	M118002230	KRANK MİLİ, KOMPL.	ASSY CAMSHAFT	1				
050	M118002240	BİLYA	BALL	1				
060	M118002250	DİŞLİ, KAM	GEAR, CAM	1				
070	M118002260	KAMA,	KEY, FEATHER	1				
080	M118002270	DURDURUCU, KRANKMİLİ	STOPPER, CAMSHAFT	1				
090	M118002280	CİVATA	BOLT	2				
100	M118002290	AVARE DİŞLİ, KOMPL.	COMP. GEAR, IDLE	1				
110	M118002300	BURÇ, AVARE DİŞLİ	BUSH, IDLE GEAR	1				
120	M118002310	BİLEZİK	COLLAR	1				
130	M118002320	SEGMAN	CIR CLIP, EXTERNAL	1				
140	M118002330	ŞAFT, AVARE DİŞLİ	SHAFT, IDLE GEAR	1				
150	M118002280	CİVATA	BOLT	3				

P?STON VE KRANK M?L?
PISTON AND CRANKSHAFT

PİSTON VE KRANK MİLİ
PISTON AND CRANKSHAFT

NO NO	PARÇA NO PART NO	TANIM	DESCRIPTION	ADET QTY	S.K. S.C.	SERİ NO SERIAL NO	D.T. ICA	NOT NOTE
010	M118002350	PİSTON	PISTON	4				
010	M118002360	PİSTON	PISTON	4				
020	M118002370	PİSTON SEGMAN, KOMPL.	ASSY PISTON RING	4				
020	M118002380	PİSTON SEGMAN, KOMPL.	ASSY PISTON RING	4				
030	M118002390	PİN, PİSTON	PİN, PISTON	4				
040	M118002400	SEGMAN	CİR CLIP, INTERNAL	8				
050	M118002410	BİYEL KOLU, KOMPL.	ASSY ROD, CONNECTING	4				
060	M118002420	BURÇ, PİSTON	BUSH, PISTON PIN	4				
070	M118002430	CİVATA	BOLT, CONNECTING ROD	8				
080	M118002440	YATAK, BİYEL KOLU	METAL, CRANKPIN	4				
080	M118002450	YATAK, BİYEL KOLU	METAL, CRANKPIN	4				
080	M118002460	YATAK, BİYEL KOLU	METAL, CRANKPIN	4				
090	M118002470	KRANK MİLİ, KOMPL.	COMP. CRANKSHAFT	1				
100	M118002240	BİLYA	BALL	1				
110	M118002490	BURÇ, KRANKMİLİ	BUSH, CRANKSHAFT	1				
115	M118001670	PİM	PİN, STRAIGHT	1				
120	M118002500	DİŞLİ, KRANK	GEAR, CRANK	1				
130	M118002510	KAMA	KEY, FEATHER	1				
140	M118002520	YAĞ SAVURUCU	SLINGER, OIL	1				
150	M118002530	BİLEZİK, KRANKMİLİ	COLLAR, CRANKSHAFT	1				
160	M118002540	O-RING	O-RING	1				
170	M118002550	SOMUN	NUT, CRANKSHAFT	1				
180	M118002560	YATAK, KRANKMİLİ	METAL, CRANKSHAFT	1				
180	M118002570	YATAK, KRANKMİLİ	METAL, CRANKSHAFT	1				
180	M118002580	YATAK, KRANKMİLİ	METAL, CRANKSHAFT	1				
190	M118002590	KEÇE, YAĞ	SEAL, OIL	1				
200	M118002600	METAL, YAN DESTEK	METAL, SIDE	2				
200	M118002610	METAL, YAN DESTEK	METAL, SIDE	2				
200	M118002620	METAL, YAN DESTEK	METAL, SIDE	2				
210	M118002630	METAL, YAN DESTEK	METAL, SIDE	2				
210	M118002640	METAL, YAN DESTEK	METAL, SIDE	2				
210	M118002650	METAL, YAN DESTEK	METAL, SIDE	2				
220	M118002660	DİŞLİ, YAĞ POMPA TAHRİK	GEAR, OIL PUMP DRIVE	1				

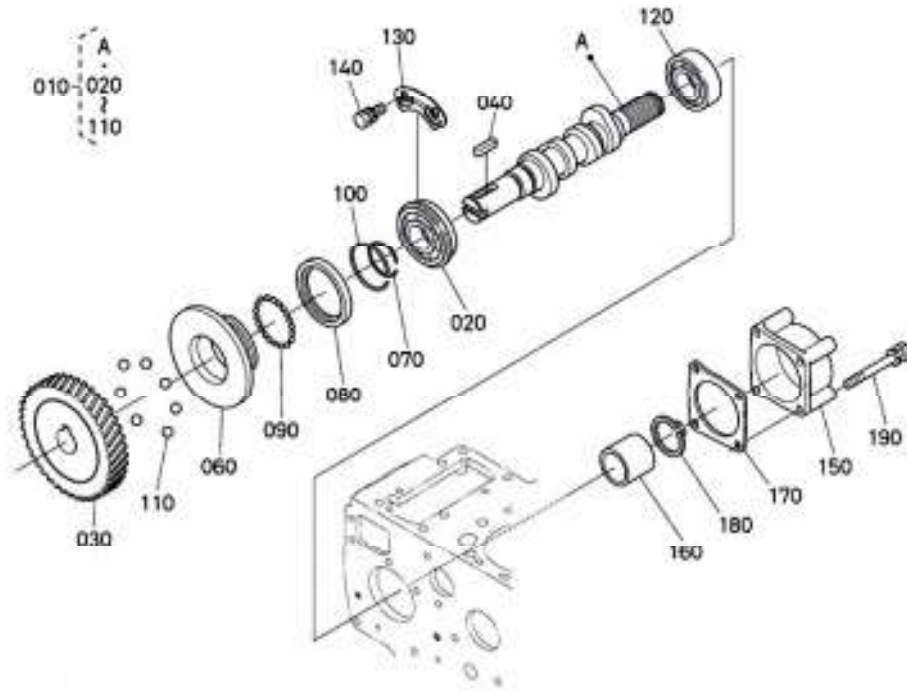
VOLAN
FLYWHEEL



**VOLAN
FLYWHEEL**

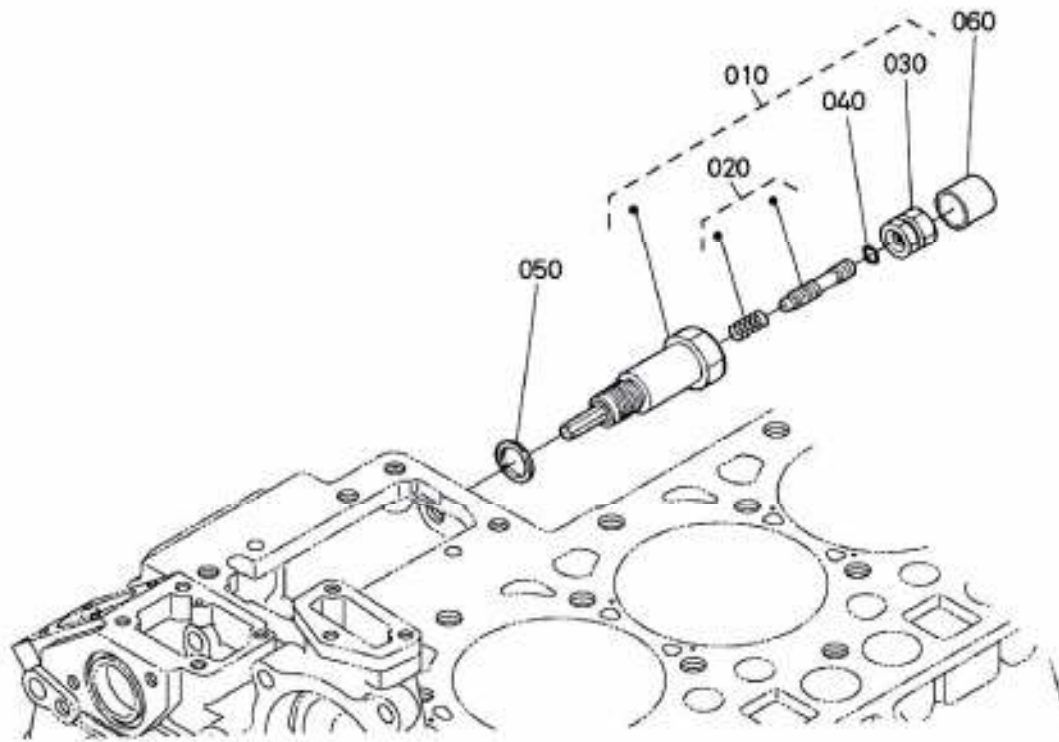
NO NO	PARÇA NO PART NO	TANIM	DESCRIPTION	ADET QTY	S.K. S.C.	SERİ NO SERIAL NO	D.T. ICA	NOT NOTE
010	M118002670	VOLAN, KOMPL.	COMP. FLYWHELL	1				
020	M118002680	DIŞLI, ÇEMBER	GEAR, RING	1				
030	M118002690	CIVATA, VOLAN	BOLT, FLYWHEEL	6				
040	M118002700	MUHAFAZA, VOLAN	HOUSING, FLYWHEEL	1				
050	M118002710	KAPAK	COVER	1				
060	M118002720	CIVATA	BOLT	1				
070	M118001250	PUL, YAYLI	WASHER, SPRING	1				
080	M118002740	CIVATA	BOLT	11				

YAKIT POMPA M?L? VE REG?LAT?R M?L?
FUEL CAMSHAFT AND GOVERNOR SHAFT



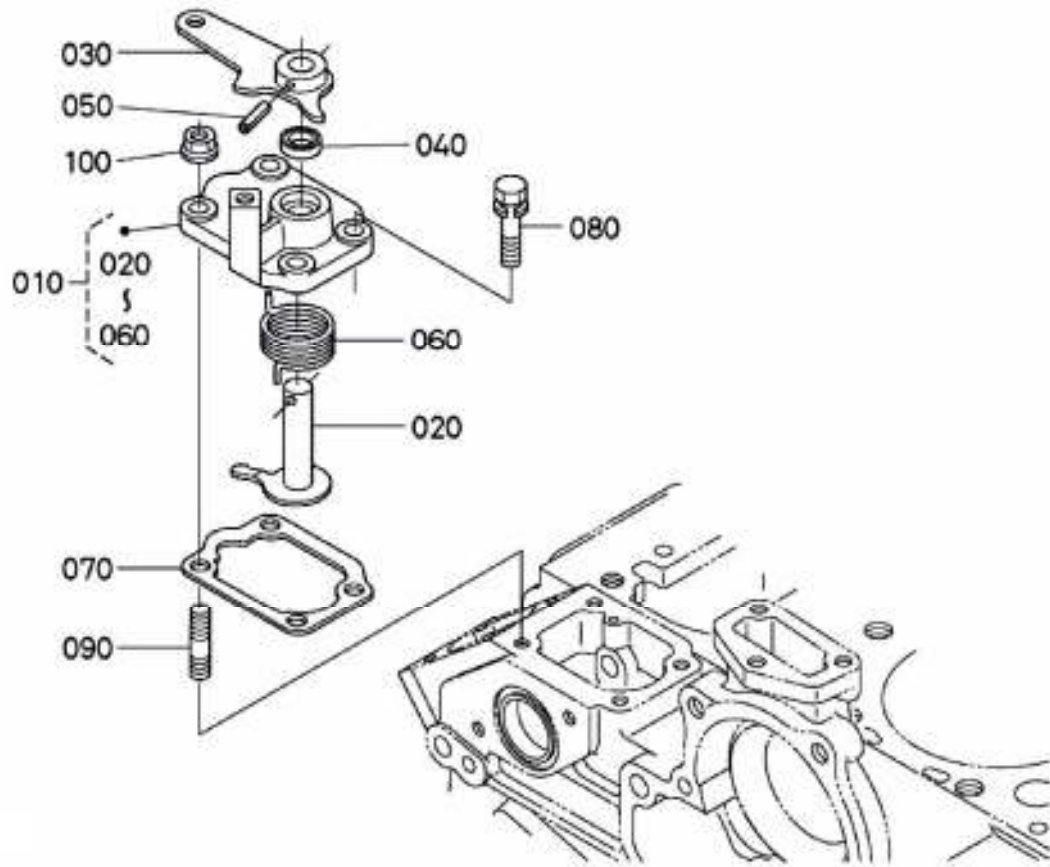
YAKIT POMPA MİLİ VE REGÜLATÖR MİLİ
FUEL CAMSHAFT AND GOVERNOR SHAFT

NO NO	PARÇA NO PART NO	TANIM	DESCRIPTION	ADET QTY	S.K. S.C.	SERİ NO SERIAL NO	D.T. ICA	NOT NOTE
010	M118002780	YAKIT POMPA MİLİ, KOMPL.	ASSY CAMSHAFT, FUEL	1				
020	M118002790	RULMAN, BİLYALI	BEARING, BALL	1				
030	M118002800	DİŞLİ, İNJEKSİYON POMPAS	GEAR, INJECTION PUMP	1				
040	M118002810	KAMA	KEY, FEATHER	1				
060	M118002820	YUVA, REGÜLATÖR	SLEEVE, GOVERNOR	1				
070	M118002830	SEGMAN	CIR-CLIP, GOV. SLEEVE	1				
080	M118002840	YUVA, REGÜLATÖR AĞIRLIK BİLYASI	CASE, GOVERNOR BALL	1				
090	M118002850	BİLYA	BALL	39				
100	M118002860	SEGMAN	CIR-CLIP	1				
110	M118002870	BİLYA	BALL	7				
120	M118002880	RULMAN, BİLYALI	BEARING, BALL	1				
130	M118002890	DURDURUCU, YAKIT POMPA MİLİ	STOPPER, FUEL C/SHAFT	1				
140	M118002900	CİVATA	BOLT	2				
150	M118002910	KAPAK, YAKIT POMPA MİLİ	COVER, FUEL CAMSHAFT	1				
160	M118002920	BİLEZİK	COLLAR	1				
170	M118002930	CONTA	GASKET	1				
180	M118002940	SEGMAN, DIŞ	CIR CLIP, EXTERNAL	1				
190	M118002950	CİVATA	BOLT	4				

ROLANT? AYAR APARATI
IDLE APPARATUS

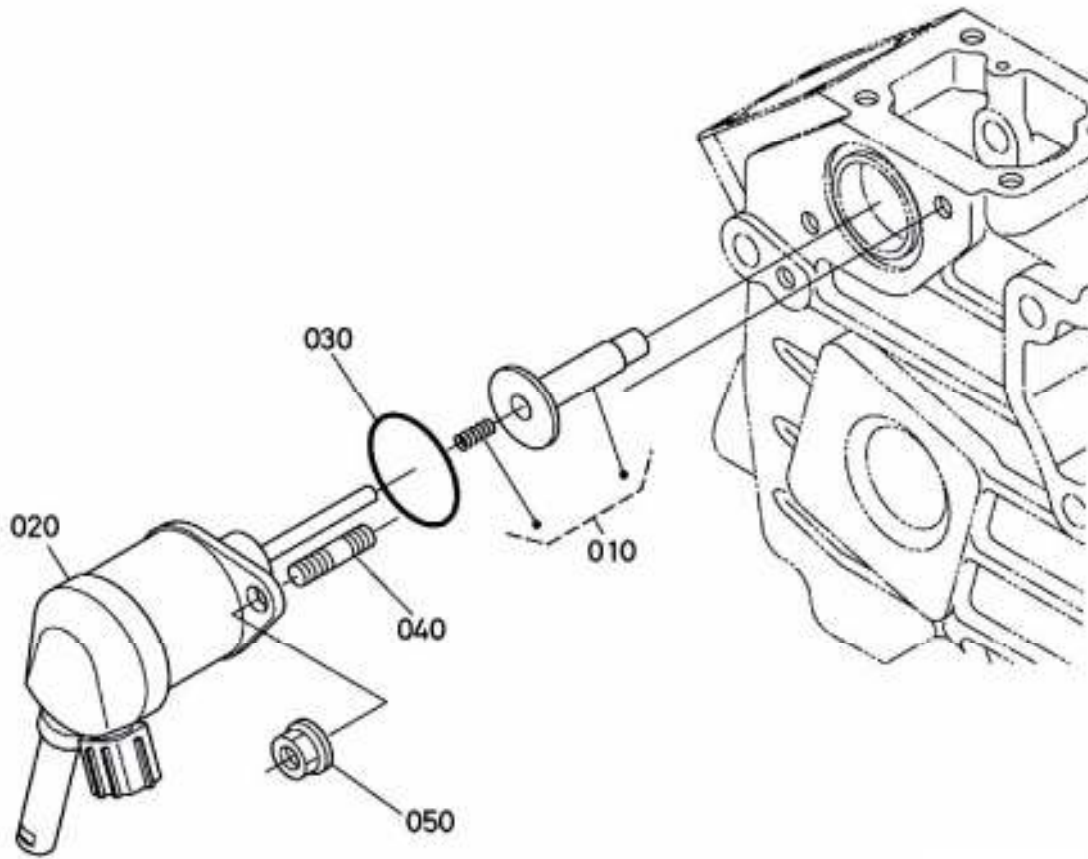
ROLANTİ AYAR APARATI
IDLE APPARATUS

NO NO	PARÇA NO PART NO	TANIM	DESCRIPTION	ADET QTY	S.K. S.C.	SERİ NO SERIAL NO	D.T. ICA	NOT NOTE
010	M118002960	APARAT,ROLANTİ ÇALIŞMA	APPARATUS, IDLING	1				
020	M118002970	ÇİVATA MONTAJI	ASSY BOLT, ADJUSMENT	1				
040	M118002980	SOMUN, YAYLI	NUT, SPRUNG	1				
050	M118002990	O-RING	O-RING	1				
060	M118003000	CONTA	GASKET	1				
070	M118003010	KAPAK	CAP	1				

MOTOR STOP KOLU
ENGINE STOP LEVER

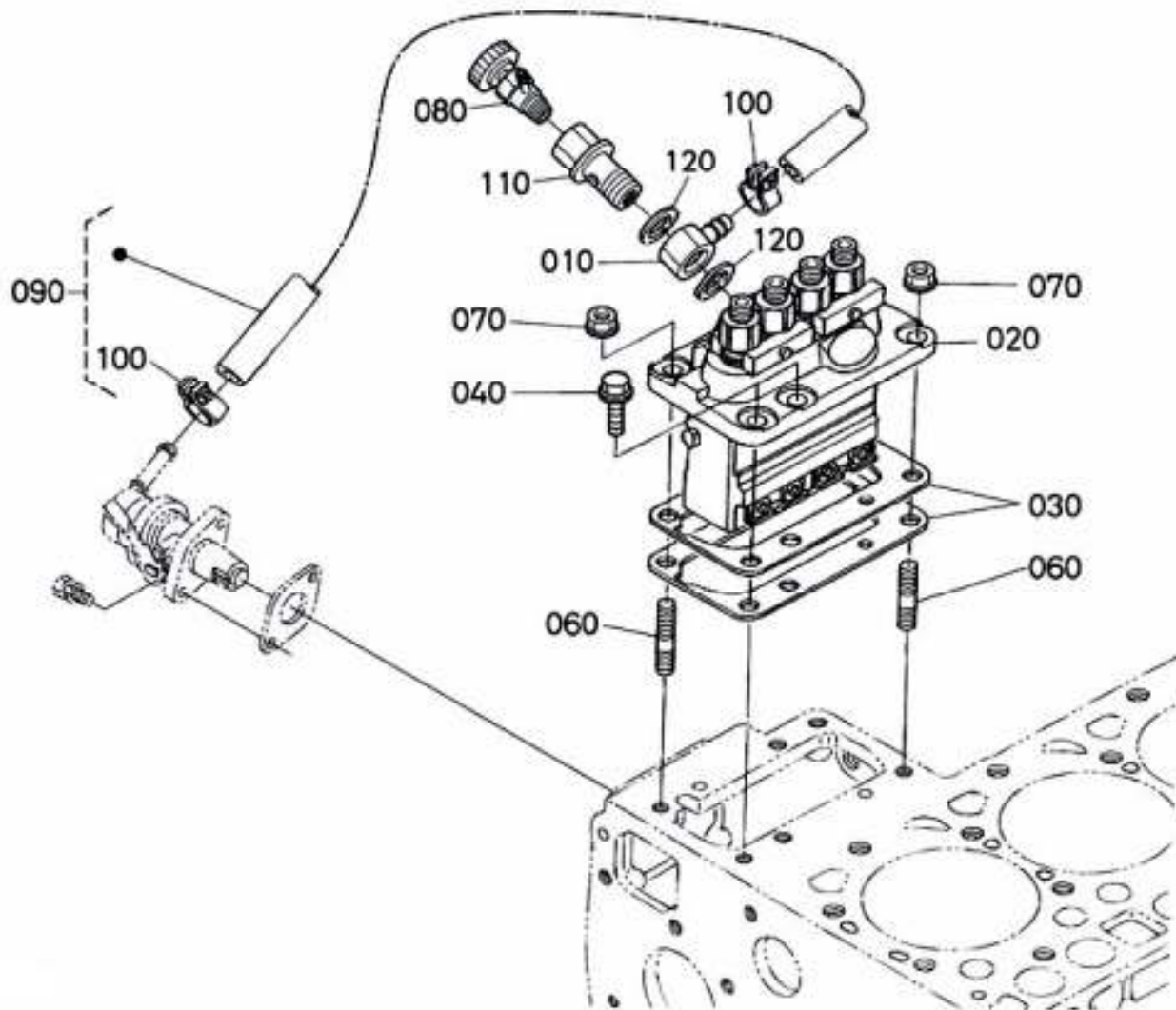
MOTOR STOP KOLU
ENGINE STOP LEVER

NO NO	PARÇA NO PART NO	TANIM	DESCRIPTION	ADET QTY	S.K. S.C.	SERİ NO SERIAL NO	D.T. ICA	NOT NOTE
010	M118003020	MONTAJ KOLU, MOTOR STOP	ASSY LEVER, ENG. STOP	1				
020	M118003030	KOL, STOP, KOMPL.	COMP. LEVER, STOP	1				
030	M118003040	KOL, MOTOR STOP	LEVER, ENGINE STOP	1				
040	M118003050	KEÇE, YAĞ	SEAL, OIL	1				
050	M118003060	PİM, YAYLI	PIN, SPRING	1				
060	M118003070	YAY, GERİ DÖNÜŞ	SPRING, RETURN	1				
070	M118003080	CONTA, LEVHA	GASKET, PLATE	1				
080	M118001580	CİVATA	BOLT	2				
090	M118000610	SAPLAMA	STUD	2				
100	M118003110	SOMUN, FLANŞLI	NUT, FLANGE	2				

DURDURMA SOLENOIDI
STOP SELENOID

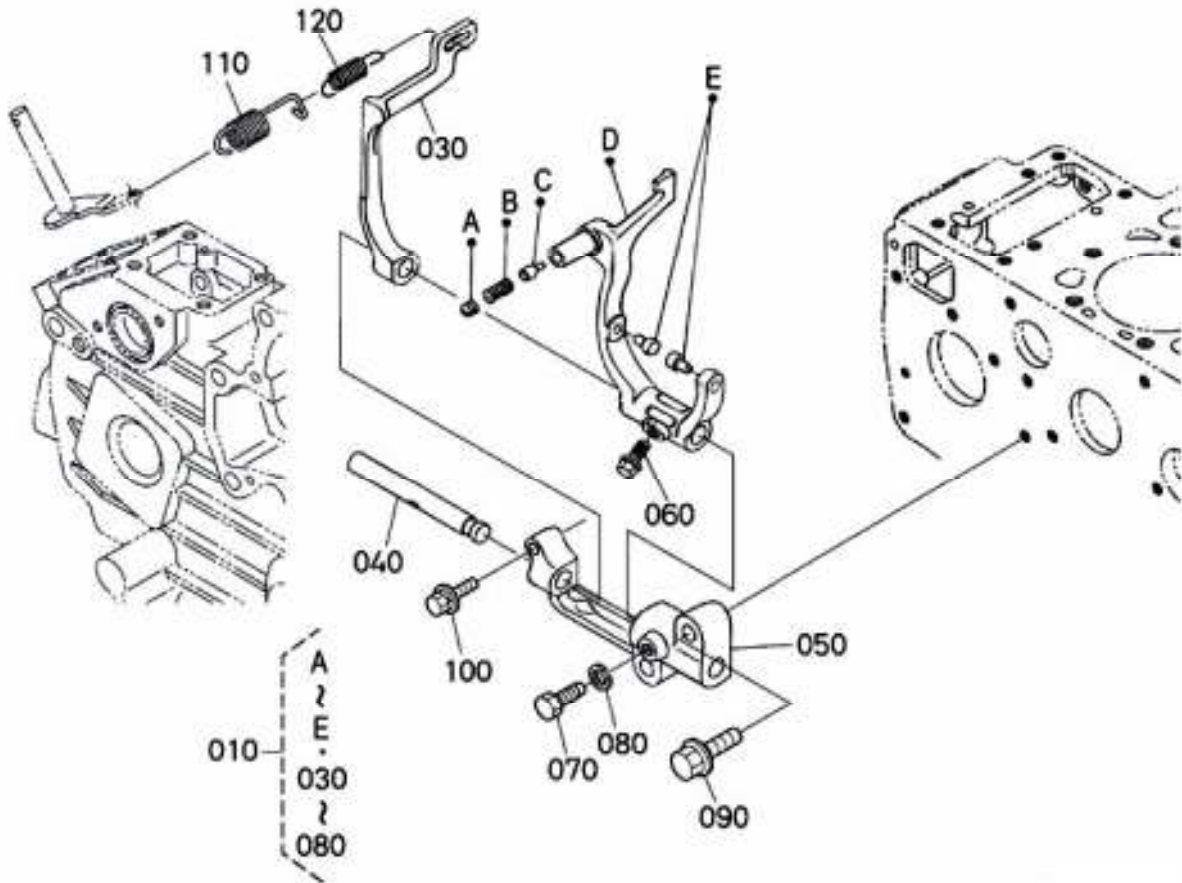
DURDURMA SOLENOIDI
STOP SOLENOID

NO NO	PARÇA NO PART NO	TANIM	DESCRIPTION	ADET QTY	S.K. S.C.	SERİ NO SERIAL NO	D.T. ICA	NOT NOTE
010	M118003120	SUBAP, SOLENOİD KOMPL.	COMP. GUIDE, SOLENOID	1				
020	M118003130	SOLENOİD MONTAJLI	ASSY SOLENOID	1				
030	M118003140	O-RING	O-RING	1				
040	M118000610	SAPLAMA	STUD	2				
050	M118003110	SOMUN, FLANŞLI	NUT, FLANGE	2				

ENJEKTÖR POMPASI
INJECTION PUMP

ENJEKTÖR POMPASI
INJECTION PUMP

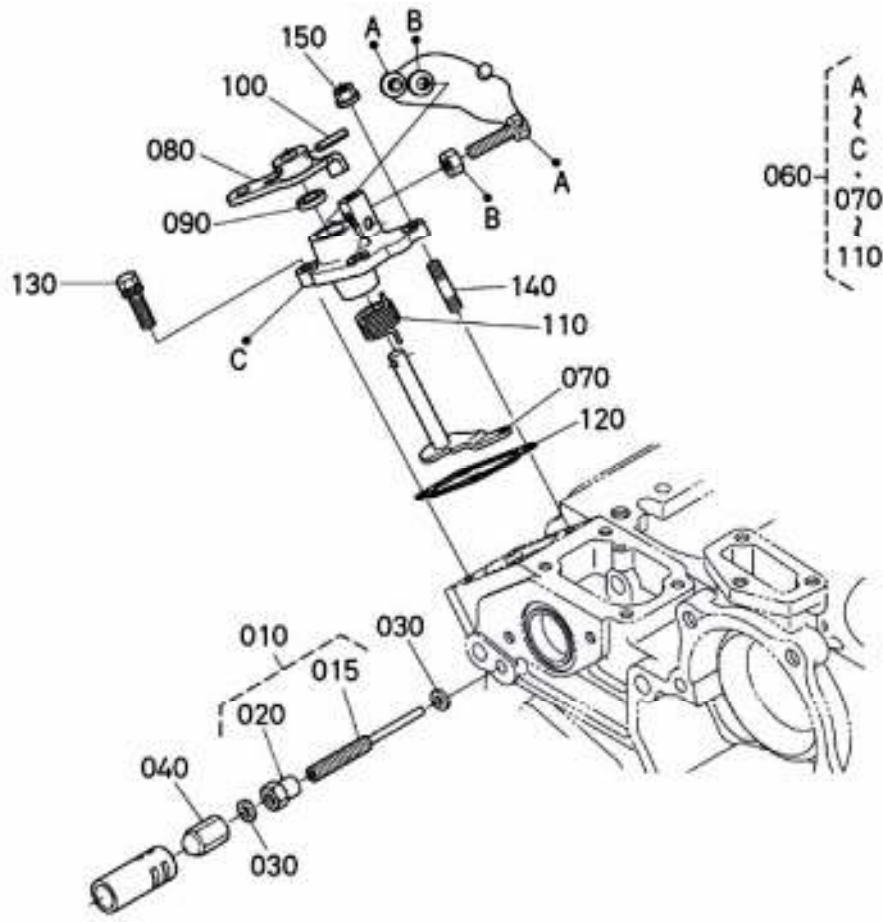
NO NO	PARÇA NO PART NO	TANIM	DESCRIPTION	ADET QTY	S.K. S.C.	SERİ NO SERIAL NO	D.T. ICA	NOT NOTE
010	M118003170	MERKEZLEME, GÖZÜ	JOINT, EYE	1				
020	M118003180	POMPA MONTAJI, ENJEKSİYON	ASSY PUMP, INJECTION	1				
030	M118003190	ŞİM, ENJEKSİYON POMPASI	SHIM, INJECTION PUMP	1				
030	M118003200	ŞİM, ENJEKSİYON POMPASI	SHIM, INJECTION PUMP	1				
030	M118003210	ŞİM, ENJEKSİYON POMPASI	SHIM, INJECTION PUMP	1				
030	M118003220	ŞİM, ENJEKSİYON POMPASI	SHIM, INJECTION PUMP	1				
040	M118003230	CİVATA, FLANŞLI	BOLT, FLANGE	4				
060	M118003240	SAPLAMA	STUD	2				
070	M118003250	SOMUN, FLANŞLI	NUT, FLANGE	2				
080	M118003260	VANA, JET PÜSKÜRTME	ASSY COCK, JET START	1				
090	M118003270	BORU, YAKIT	ASSY PIPE, FUEL	1				
100	M118003280	KELEPÇE	CLIP, PIPE	2				
110	M118003290	VİDA, DELİKLİ	BOLT, EYE JOINT	1				
120	M118003300	CONTA	GASKET	2				

REGÜLATÖR
GOVERNOR

REGÜLATÖR
GOVERNOR

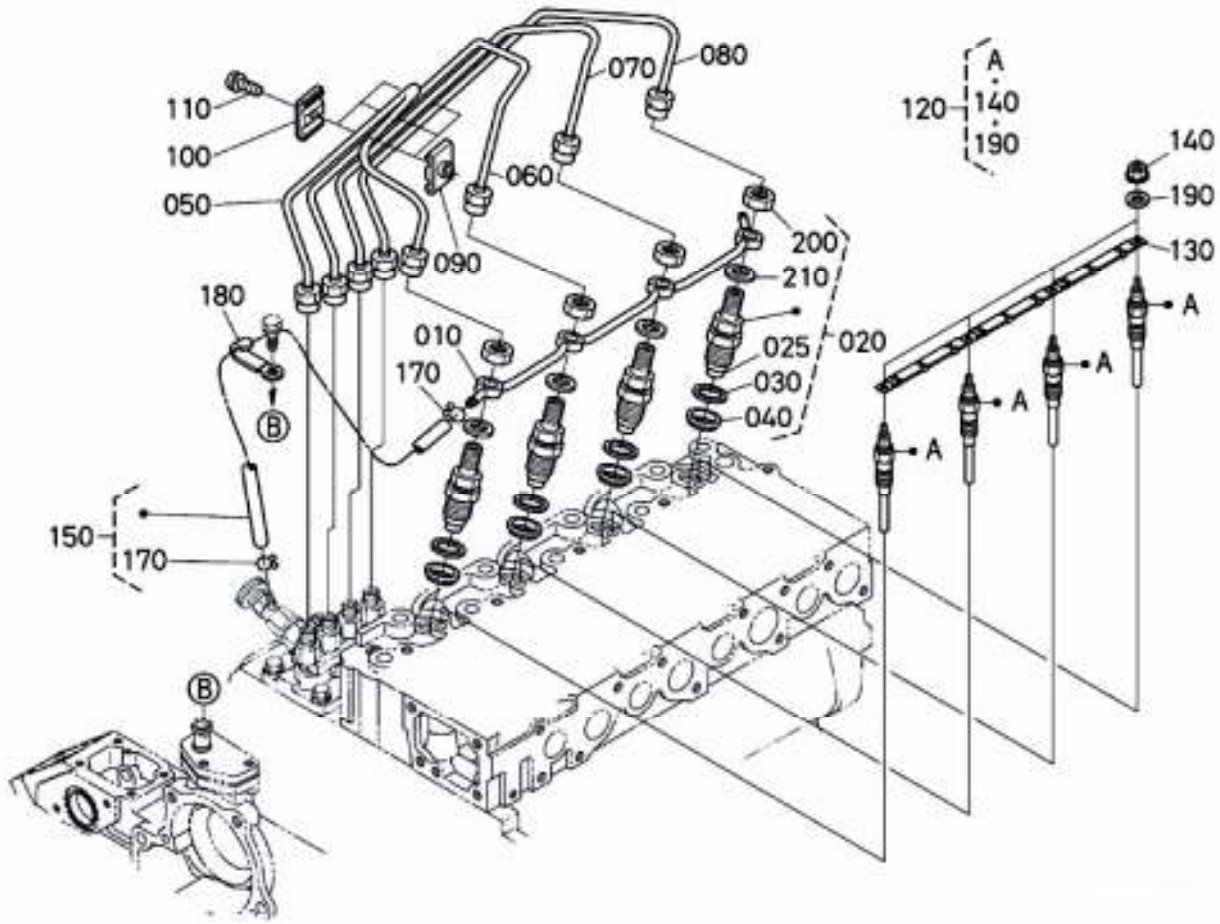
NO NO	PARÇA NO PART NO	TANIM	DESCRIPTION	ADET QTY	S.K. S.C.	SERİ NO SERIAL NO	D.T. ICA	NOT NOTE
010	M118003310	MONTAJ KOLU, ÇATAL	ASSY LEVER, FORK	1				
030	M118003320	KOL, ÇATAL	LEVER, FORK	1				
040	M118003330	ŞAFT, ÇATAL KOLU	SHAFT, FORK LEVER	1				
050	M118003340	ÇATAL KOLU, DELİKLİ	HOLDER, FORK LEVER	1				
060	M118003350	CİVATA, FLANŞLI	BOLT, FLANGE	1				
070	M118003360	CİVATA	BOLT	1				
080	M118001630	PUL, YAYLI	WASHER, SPRING	1				
090	M118001590	CİVATA, FLANŞLI	BOLT, FLANGE	2				
100	M118003390	CİVATA	BOLT	1				
110	M118003400	YAY, REGÜLATÖR	SPRING, GOVERNOR	1				
120	M118003410	YAY, REGÜLATÖR	SPRING, GOVERNOR	1				

HIZ CONTROL
SPEED CONTROL PLATE



REGÜLATÖR
GOVERNOR

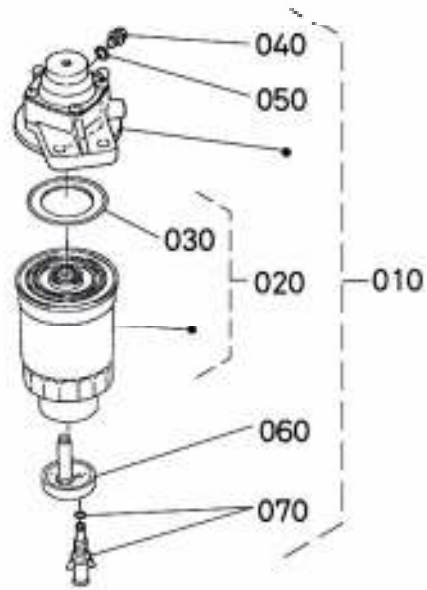
NO NO	PARÇA NO PART NO	TANIM	DESCRIPTION	ADET QTY	S.K. S.C.	SERİ NO SERIAL NO	D.T. ICA	NOT NOTE
010	M118003420	CİVATA AYAR, MONTAJI	ASSY BOLT, ADJUSTMENT	1				
015	M118003430	CİVATA, AYAR	BOLT, ADJUSTING	1				
020	M118003440	SOMUN	NUT	1				
030	M118003450	CONTA	GASKET	2				
040	M118003460	SOMUN	NUT	1				
060	M118003470	KONTROL PLAKASI	ASSY PLATE, CONTROL	1				
070	M118003480	KOL KOMPLE, REGÜLATÖR	COMP. LEVER, GOVERNOR	1				
080	M118003490	KOL, HIZ KONTROL	LEVER, SPEED CONTROL	1				
090	M118003050	KEÇE, YAĞ	SEAL, OIL	1				
100	M118003060	PİM, YAYLI	PIN, SPRING	1				
110	M118003070	YAY, GERİ DÖNÜŞ	SPRING, RETURN	1				
120	M118003080	CONTA, LEVHA	GASKET, PLATE	1				
130	M118001580	CİVATA	BOLT	2				
140	M118000610	SAPLAMA	STUD	2				
150	M118003110	SOMUN, FLANŞLI	NUT, FLANGE	2				

ENJEKTÖR TUTUCU VE KIZDIRMA BUJİSİ
NOZZLE HOLDER AND GLOW PLUG

ENJEKTÖR TUTUCU VE KIZDIRMA BUJİSİ
NOZZLE HOLDER AND GLOW PLUG

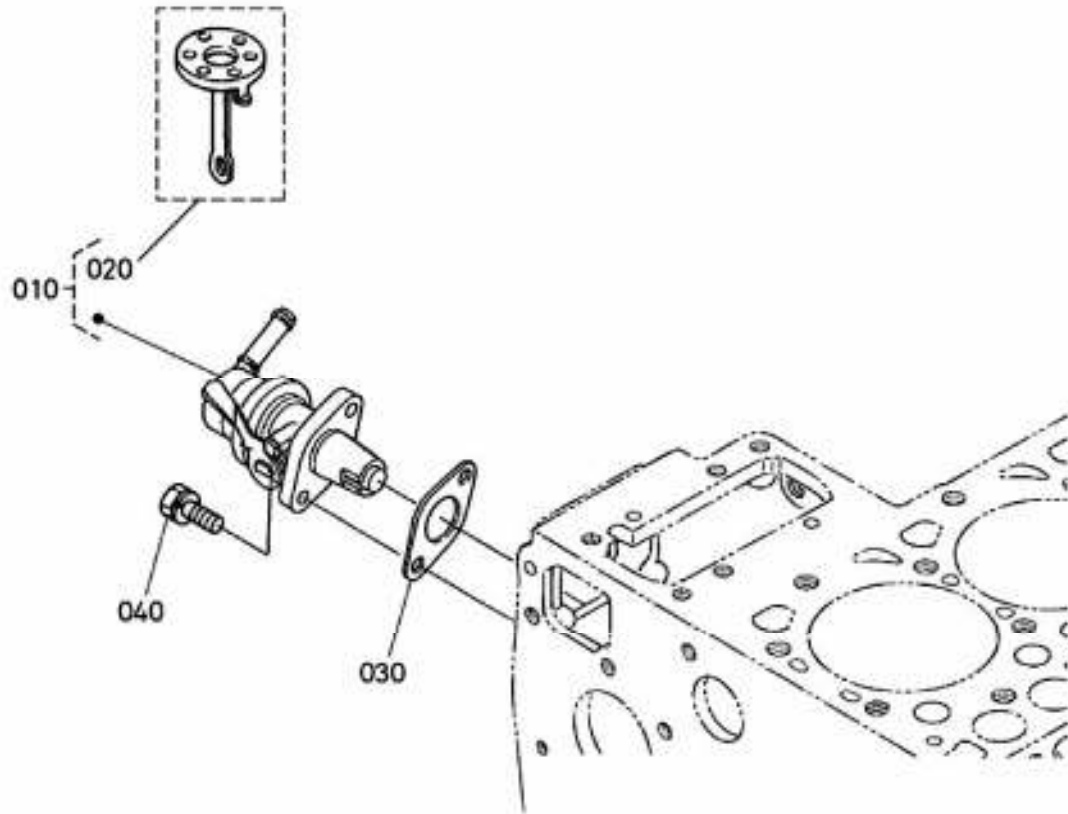
NO NO	PARÇA NO PART NO	TANIM	DESCRIPTION	ADET QTY	S.K. S.C.	SERİ NO SERIAL NO	D.T. ICA	NOT NOTE
010	M118003570	TAŞIMA BORUSU KOMPLE	ASSY PIPE, OVER FLOW	1				
020	M118003580	KIT, ENJEKTÖR	KIT HOLDER, NOZZLE	4				
025	M118003590	ENJEKTÖR	PIECE, NOZZLE	4				
030	M118003600	CONTA	GASKET	4				
040	M118003610	KEÇE, HARARET	SEAL, HEAT	4				
050	M118003620	BORU, ENJEKSİYON	PIPE, INJECTION	1				
060	M118003630	BORU, ENJEKSİYON	PIPE, INJECTION	1				
070	M118003640	BORU, ENJEKSİYON	PIPE, INJECTION	1				
080	M118003650	BORU, ENJEKSİYON	PIPE, INJECTION	1				
090	M118003660	KELEPÇE, BORU	CLAMP, PIPE	3				
100	M118003670	KELEPÇE, BORU	CLAMP, PIPE	3				
110	M118003680	VİDA, PULLU	SCREW, WITH WASHER	3				
120	M118003690	KIZDIRMA BUJİSİ	GLOW PLUG	4				
130	M118003700	BAĞLANTI, KIZDIRMA BUJİSİ	CORD, GLOW PLUG	1				
140	M118003710	SOMUN, FLANŞLI	NUT, FLANGE	4				
150	M118003720	TAŞIMA BORUSU KOMPLE	ASSY PIPE, OVER FLOW	1				
160	M118003730	KELEPÇE, BORU	CLIP, PIPE	1				
170	M118003740	KELEPÇE, BORU	CLIP, PIPE	1				
180	M118003750	KELEPÇE	CLAMP, CORD	1				
190	M118003760	PUL	WASHER, PLAIN	4				
200	M118003730	SOMUN	NUT	4				
210	M118003810	PUL	WASHER	4				

YAKIT FİLTRESİ
FUEL FILTER



YAKIT FİLTRESİ
FUEL FILTER

NO NO	PARÇA NO PART NO	TANIM	DESCRIPTION	ADET QTY	S.K. S.C.	SERİ NO SERIAL NO	D.T. ICA	NOT NOTE
010	M112502100	YAKIT FİLTRESİ, KOMPLE	ASSY FILTER, FUEL	1				
020	M118005920	KIT ELEMANLARI	KIT ELEMENT	1				
030	M118005930	CONTA	GASKET	1				
040	M118005940	TAPA	PLUG	1				
050	M118005950	O-RING	O-RING	1				
060	M118005960	TAPA	PLUG	1				
070	M118005970	BOŞALTMA MUSLUĞU	ASSY COCK, DRAIN	1				

YAKIT POMPASI (MEKANIK)
FUEL PUMP (MECHANICAL)

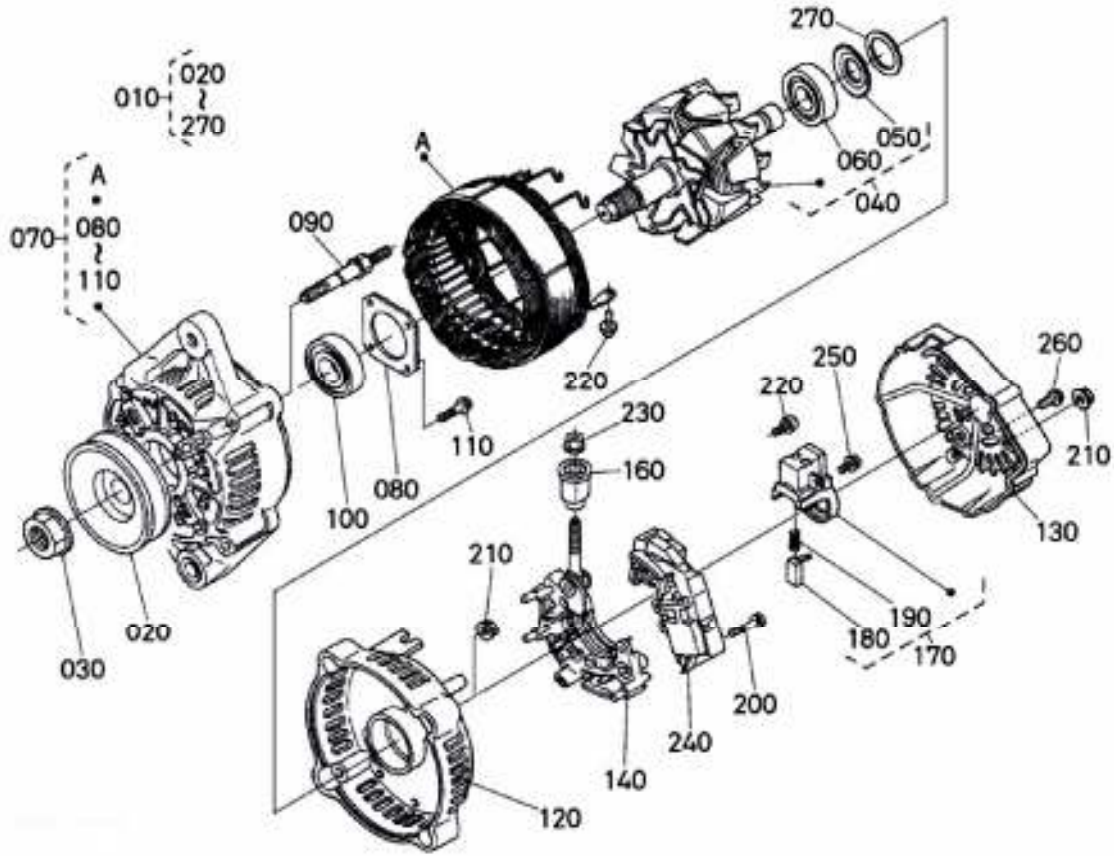
YAKIT POMPASı (MEKANİK)
FUEL PUMP (MECHANICAL)

NO NO	PARÇA NO PART NO	TANIM	DESCRIPTION	ADET QTY	S.K. S.C.	SERİ NO SERIAL NO	D.T. ICA	NOT NOTE
010	M118003770	POMPA, YAKIT	ASSY PUMP, FUEL	1				
020	M118003780	DİYAFRAM	COMP DIAPHRAGM	1				
030	M118003790	CONTA	GASKET, FUEL PUMP	1				
040	M118003800	CİVATA	BOLT	2				

ALTERNATÖR VE KASNAK
ALTERNATOR AND PULLEY

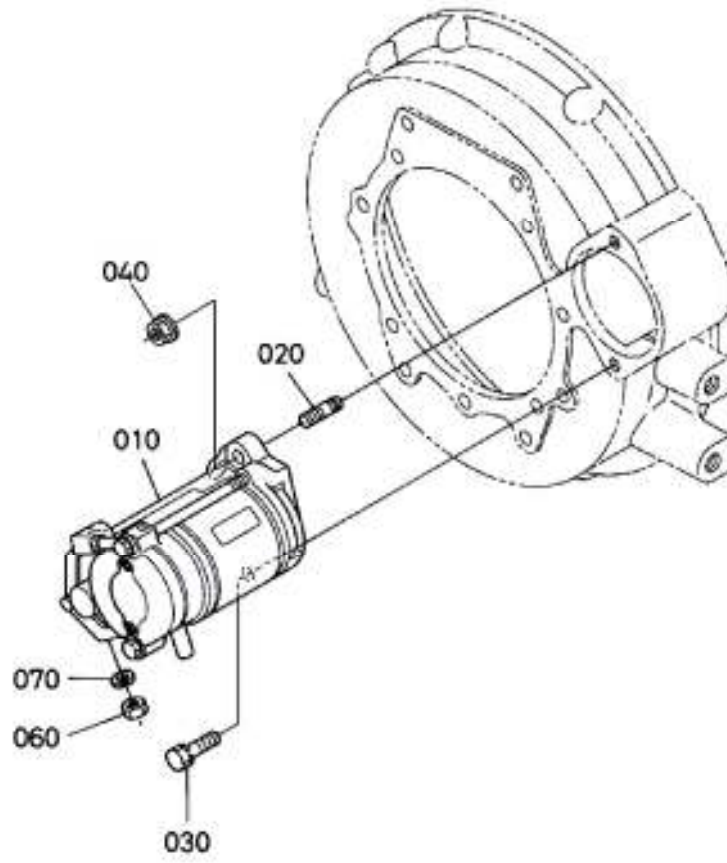
NO NO	PARÇA NO PART NO	TANIM	DESCRIPTION	ADET QTY	S.K. S.C.	SERİ NO SERIAL NO	D.T. ICA	NOT NOTE
010	M118003860	ALTERNATÖR	ASSY ALTERNATOR	1				
020	M118003870	DESTEK	SUPPORT, ALTERNATOR	1				
030	M118003880	GERGİ PARÇASI	STAY, ALTERNATOR	1				
040	M118003890	DESTEK	STAY, DYNAMO	1				
050	M118003930	CİVATA	BOLT, FLANGE	2				
060	M118001620	SOMUN	NUT	2				
070	M118004050	CİVATA	BOLT	1				
080	M118003920	SOMUN	HEX, NUT	1				
090	M118001630	PUL	WASHER, SPRING	1				
100	M118004060	KASNAK	PULLEY, FAN DRIVE	1				
110	M118002260	KAMA	KEY, FEATHER	1				
120	M118003960	V- KAYIŞI	V BELT, A	1				
130	M118003970	CİVATA	BOLT, FLANGE	1				
140	M118003980	KONNEKTÖR KOMPL.	ASSY COUPLER, CONNec.	1				
150	M118003990	KONNEKTÖR	CONNECTOR	1				
160	M118003950	TERMİNAL	TERMINAL	5				
170	M118004070	KONNEKTÖR KOMPL.	ASSY CONNETOR	1				
180	M118004090	TERMİNAL	TERMINAL	1				
190	M118004000	KONNEKTÖR	CONNECTOR	1				
200	M118004020	TERMİNAL	TERMINAL	1				
210	M118004280	KONNEKTÖR KOMPL.	ASSY COUPLER	1				
220	M118004080	KONNEKTÖR	CONNECTOR	1				
230	M118004370	TERMİNAL	TERMINAL	2				

ALTERNATÖR (KOMPONET PARÇALARI)
ALTERNATOR (COMPONENT PARTS)

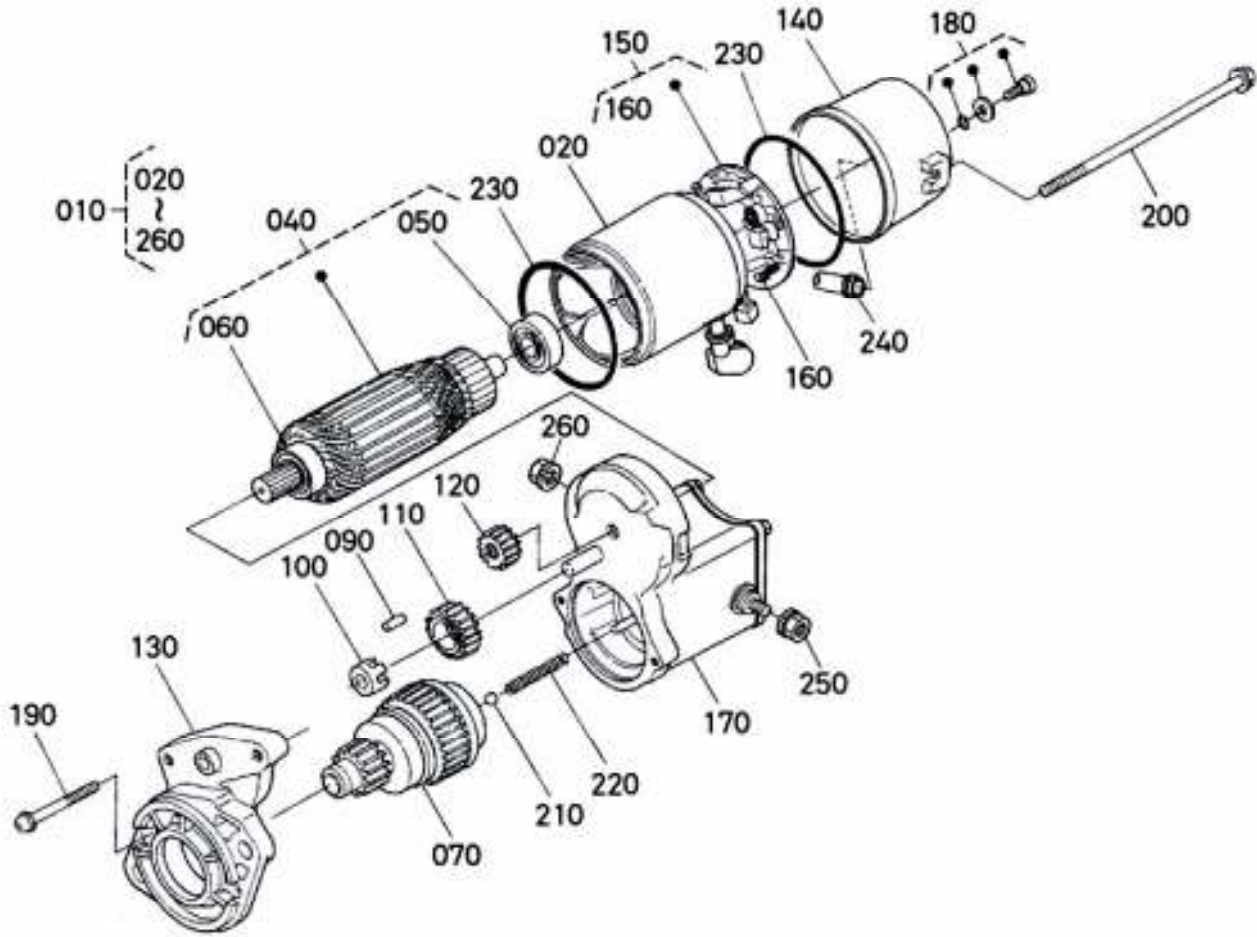


ALTERNATÖR (KOMPENET PARÇALARI)
ALTERNATOR (COMPONENT PARTS)

NO NO	PARÇA NO PART NO	TANIM	DESCRIPTION	ADET QTY	S.K. S.C.	SERİ NO SERIAL NO	D.T. ICA	NOT NOTE
010	M118003860	ALTERNATÖR	ASSY ALTERNATOR	1				
020	M118004110	KASNAK, ALTERNATÖR	PULLEY, ALTERNATOR	1				
030	M118004120	SOMUN	NUT	1				
040	M118004130	ROTOR KOMPLE	ASSY ROTOR	1				
050	M118004150	KAPAK, RULMAN	COVER, BEARING	1				
060	M118004140	RULMAN, BİLYALI	BEARING, BALL	1				
070	M118004160	ALTERNATÖR GÖVDESİ	FRAME, DRIVE END	1				
080	M118004170	PLAKA	PLATE, RETAINER	1				
090	M118004180	CİVATA	BOLT	4				
100	M118004190	RULMAN, BİLYALI	BEARING, BALL	1				
110	M118004200	VİDA	SCREW	4				
120	M118004210	ALTERNATÖR GÖVDE KAPAĞI	FRAME END	1				
130	M118004220	KAPAK	COVER, END REAR	1				
140	M118004230	YÖN DEĞİŞTİRİCİ	ASSY RECTIFIER	1				
160	M118004250	BURÇ	BUSH, INSULATION	1				
170	M118004260	KÖMÜR TUTUCU	HOLDER, BRUSH	1				
180	M118004270	KÖMÜR	BRUSH	2				
190	M118004290	YAY, YUVA	SPRING, BRUSH	2				
200	M118004240	VİDA	SCREW, ROUND HEAD	2				
210	M118004300	SOMUN	NUT	2				
220	M118004310	VİDA	SCREW, ROUND HEAD	7				
230	M118004320	SOMUN	NUT	1				
240	M118004330	REGÜLATÖR	ASSY REGULATOR	1				
250	M118004340	VİDA	SCREW WITH WASHER	1				
260	M118004350	CİVATA	BOLT	1				
270	M118004360	PUL	WASHER	1				

MAR? MOTORU BA?LANTISI
STARTER

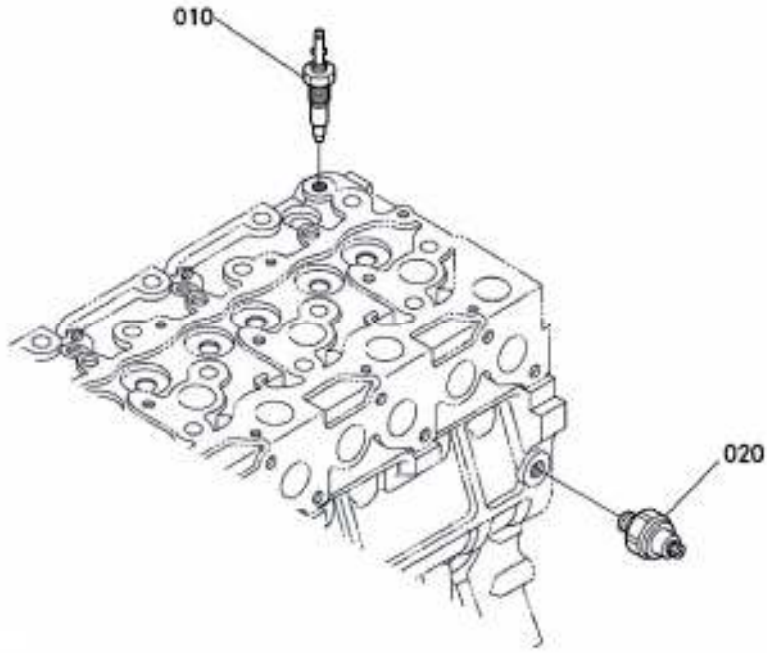
MAR? MOTORU (KOMPONET PARÇALARI)
STARTER (COMPONENT PARTS)



MARŞ MOTORU (KOMPONET PARÇALARI)
STARTER (COMPONENT PARTS)

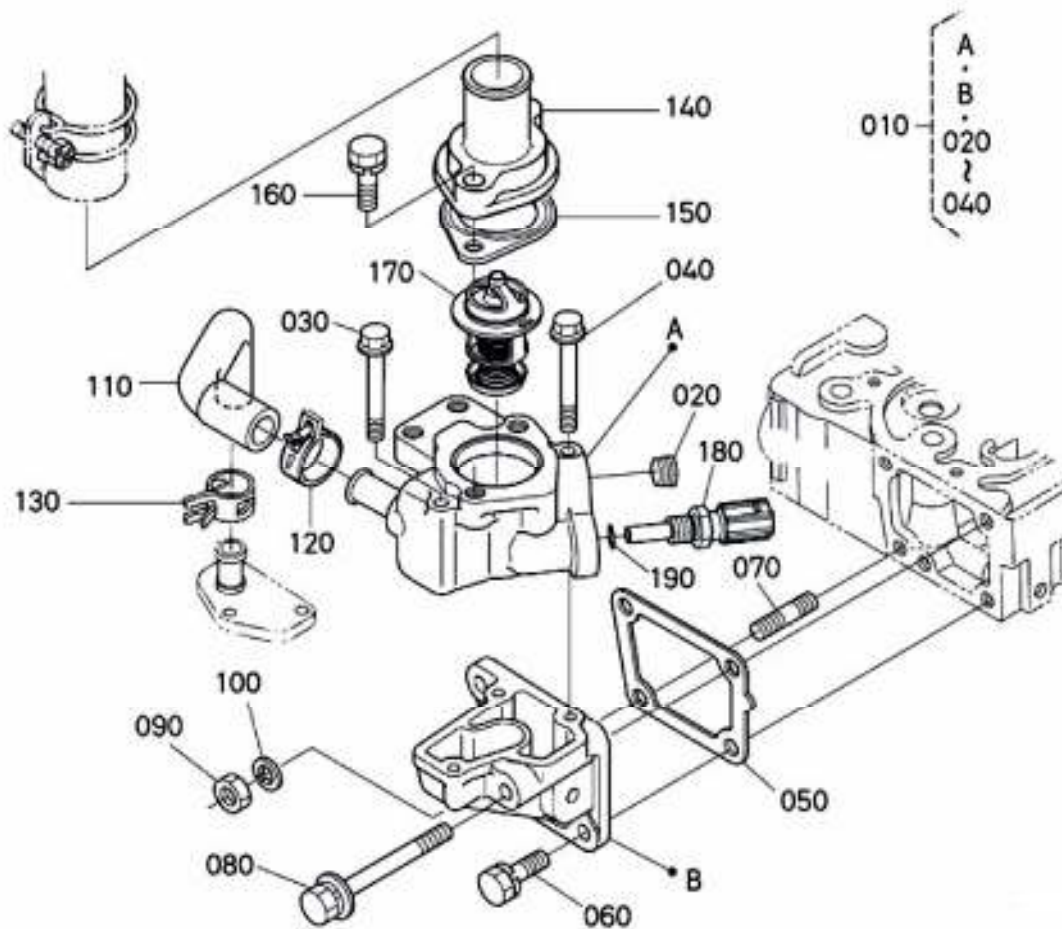
NO NO	PARÇA NO PART NO	TANIM	DESCRIPTION	ADET QTY	S.K. S.C.	SERİ NO SERIAL NO	D.T. ICA	NOT NOTE
010	M118004380	MARŞ MOTORU	ASSY STARTER	1				
020	M118004450	YÖNLENDİRİCİ	YOKE	1				
040	M118004470	ROTOR	ARMATURE	1				
050	M118004480	RULMAN	BEARING	1				
060	M118004490	RULMAN	BEARING	1				
070	M118004500	KAVRAMA, MARŞ MOTORU	CLUTCH, OVER RUNNING	1				
090	M118004510	SİLİNDİRİK MAKARA	ROLLER	5				
100	M118004520	YATAK YUVASI	RETAINER	1				
110	M118004530	DİŞLİ	GEAR	1				
120	M118004540	DİŞLİ	GEAR	1				
130	M118004550	GÖVDE, TAHRİK	FRAME, DRIVE END	1				
140	M118004560	GÖVDE	FRAME, END	1				
150	M118004570	YUVA, KÖMÜR	HOLDER, BRUSH	1				
160	M118004580	YAY	SPRING	4				
170	M118004590	MANYETİK ANAHTAR	ASSY SWITCH MAGNETIC	1				
180	M118004600	VİDA	SCREW	2				
190	M118004610	VİDA	SCREW	2				
200	M118004620	CİVATA	BOLT, THROUGH	2				
210	M118004630	BİLYA	BALL	1				
220	M118004640	YAY	SPRING	1				
230	M118004650	O-RING	O-RING	2				
240	M118004660	BORU, DIŞA BOŞALTMA	PIPE, DRAIN	1				
250	M118004670	SOMUN	NUT, HEXAGON	1				
260	M118004680	SOMUN	NUT, HEXAGON	1				

YA? MÜ?ÜRÜ VE TERMOMETRE
OIL SWITCH AND THERMOMETER



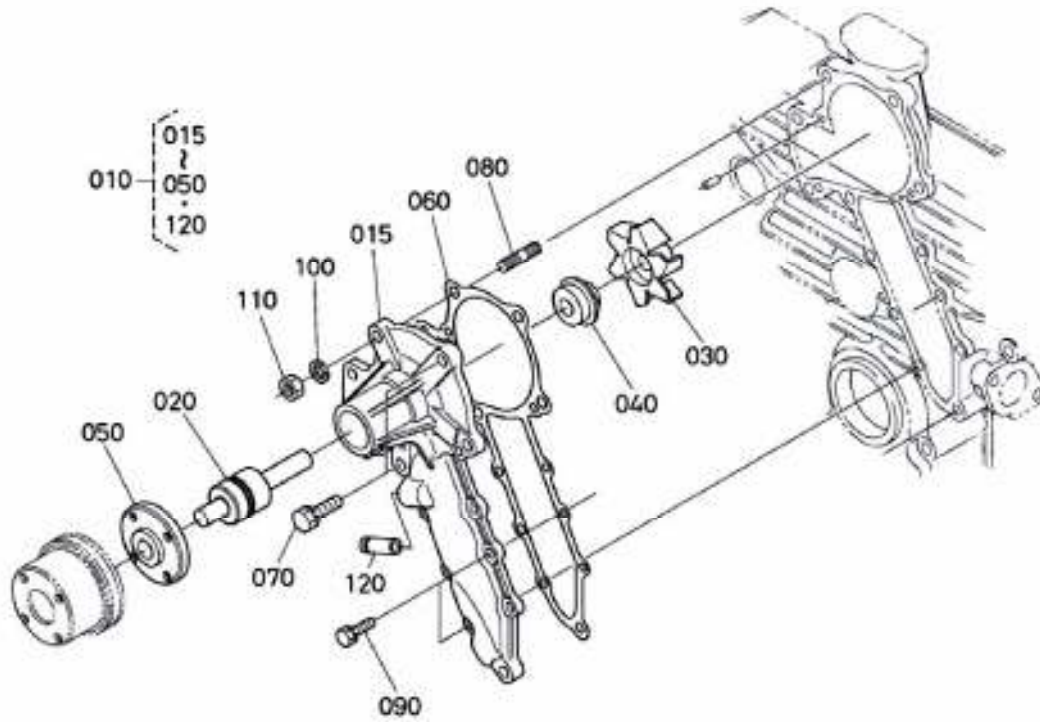
YAĞ MÜŞÜRÜ VE TERMOMETRE
OIL SWITCH AND THERMOMETER

NO NO	PARÇA NO PART NO	TANIM	DESCRIPTION	ADET QTY	S.K. S.C.	SERİ NO SERIAL NO	D.T. ICA	NOT NOTE
010	M118004700	TERMOMETRE	ASSY THERMOSWITCH	1				
020	M118004710	SVİÇ, YAĞ	SWITCH, OIL	1				

SU CONTASI VE TERMOSTAT
WATER FLANGE AND THERMOSTAT

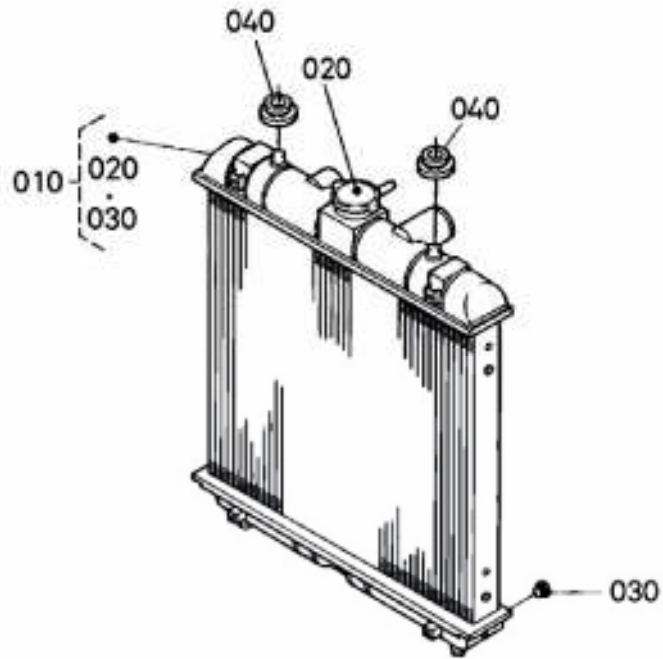
SU CONTASI VE TERMOSTAT
WATER FLANGE AND THERMOSTAT

NO NO	PARÇA NO PART NO	TANIM	DESCRIPTION	ADET QTY	S.K. S.C.	SERİ NO SERIAL NO	D.T. ICA	NOT NOTE
010	M118004720	CONTA, SU	COMP. FLANGE, WATER	1				
030	M118004730	TAPA	PLUG	1				
040	M118004740	CİVATA, FLANŞLI	BOLT, FLANGE	2				
045	M118004750	CİVATA, FLANŞLI	BOLT, FLANGE	1				
050	M118004760	CONTA, SU	GASKET, WATER FLANGE	1				
060	M118004770	CİVATA	BOLT	2				
070	M118003240	SAPLAMA	STUD	1				
080	M118004790	CİVATA	BOLT	1				
090	M118001240	SOMUN	NUT	1				
100	M118001250	PUL, YAYLI	WASHER, SPRING	1				
110	M118004820	BORU, SU DÖNÜŞ	PIPE, WATER RETURN	1				
120	M118004830	KELEPÇE, HORTUM	CLAMP, HOSE	1				
130	M118004840	KELEPÇE, HORTUM	CLAMP, HOSE	1				
140	M118004850	KAPAK, TERMOSTAT	COVER, THERMOSTAT	1				
150	M118004860	CONTA, TERMOSTAT	GASKET, THERMOSTAT	1				
160	M118004870	CİVATA	BOLT	2				
170	M118004880	TERMOSTAT	ASSY THERMOSTAT	1				
180	M118004460	SENSOR, SU SICAKLIK	SENSOR, WATER TEMP.	1				
190	M118004690	O-RING	O-RING	1				

SU POMPASI
WATER PUMP

**SU POMPASI
WATER PUMP**

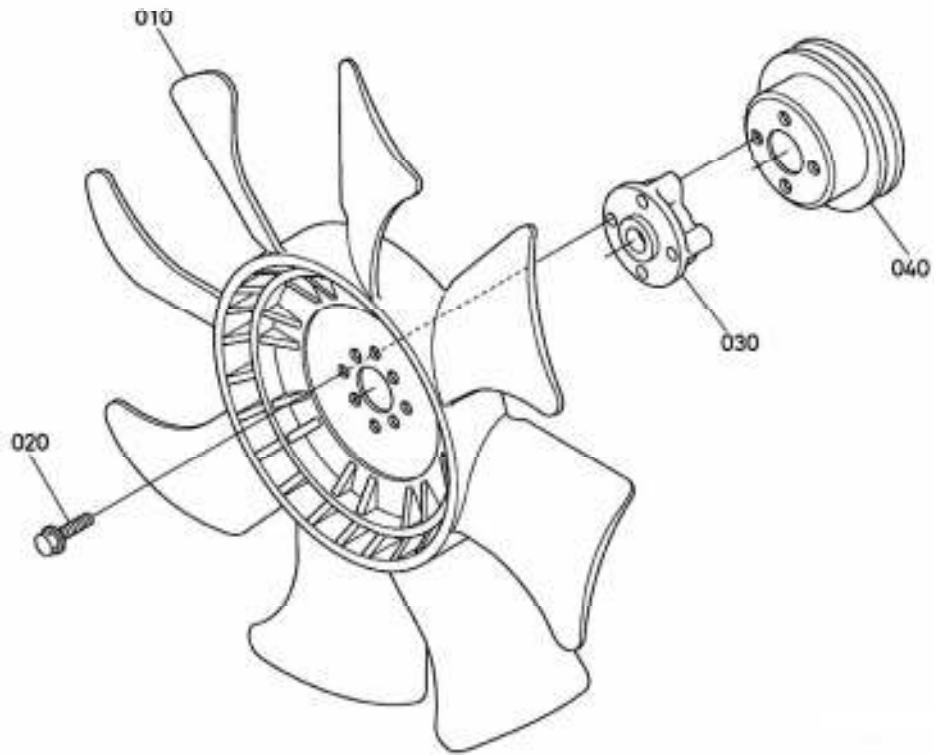
NO NO	PARÇA NO PART NO	TANIM	DESCRIPTION	ADET QTY	S.K. S.C.	SERİ NO SERIAL NO	D.T. ICA	NOT NOTE
010	M118004890	POMPA, SU	ASSY PUMP, WATER	1				
015	M118004900	GÖVDE, SU POMPASI	BODY, WATER PUMP	1				
020	M118004910	RULMAN	BEARING	1				
030	M118004920	PERVANE, SU POMPASI	IMPELLER, WATER PUMP	1				
040	M118004930	KEÇE, MEKANİK	ASSY SEAL, MECHANICAL	1				
050	M118004940	FLANŞ/ POMPA SAFTI	FLANGE, W/ PUMP SHAFT	1				
060	M118004950	CONTA, SU POMPASI	GASKET, WATER PUMP	1				
070	M118002030	CİVATA	BOLT	2				
080	M118004970	SAPLAMA	STUD	1				
090	M118004980	CİVATA	BOLT	6				
100	M118001250	PUL, YAYLI	WASHER, SPRING	1				
110	M118001240	SOMUN	NUT	1				
120	M118005010	BORU, SU DÖNÜŞ	PIPE, WATER RETURN	1				

RADYATÖR
RADIATOR

**RADYATÖR
RADIATOR**

NO NO	PARÇA NO PART NO	TANIM	DESCRIPTION	ADET QTY	S.K. S.C.	SERİ NO SERIAL NO	D.T. ICA	NOT NOTE
010	M118005980	RADYATÖR KOMPLE	ASSY, RADIATOR	1				
020	M118005990	KAPAK KOMPLE	ASSY CAP, RADIATOR	1				
030	M118006000	TAPA KOMPLE	ASSY PLUG, RADIATOR	1				
040	M118006010	LASTİK	RUBBER	4				

FAN
FAN

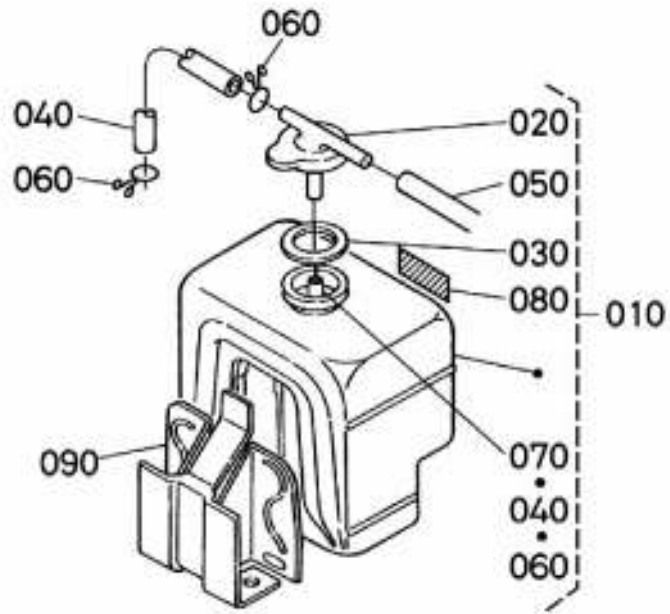


FAN

FAN

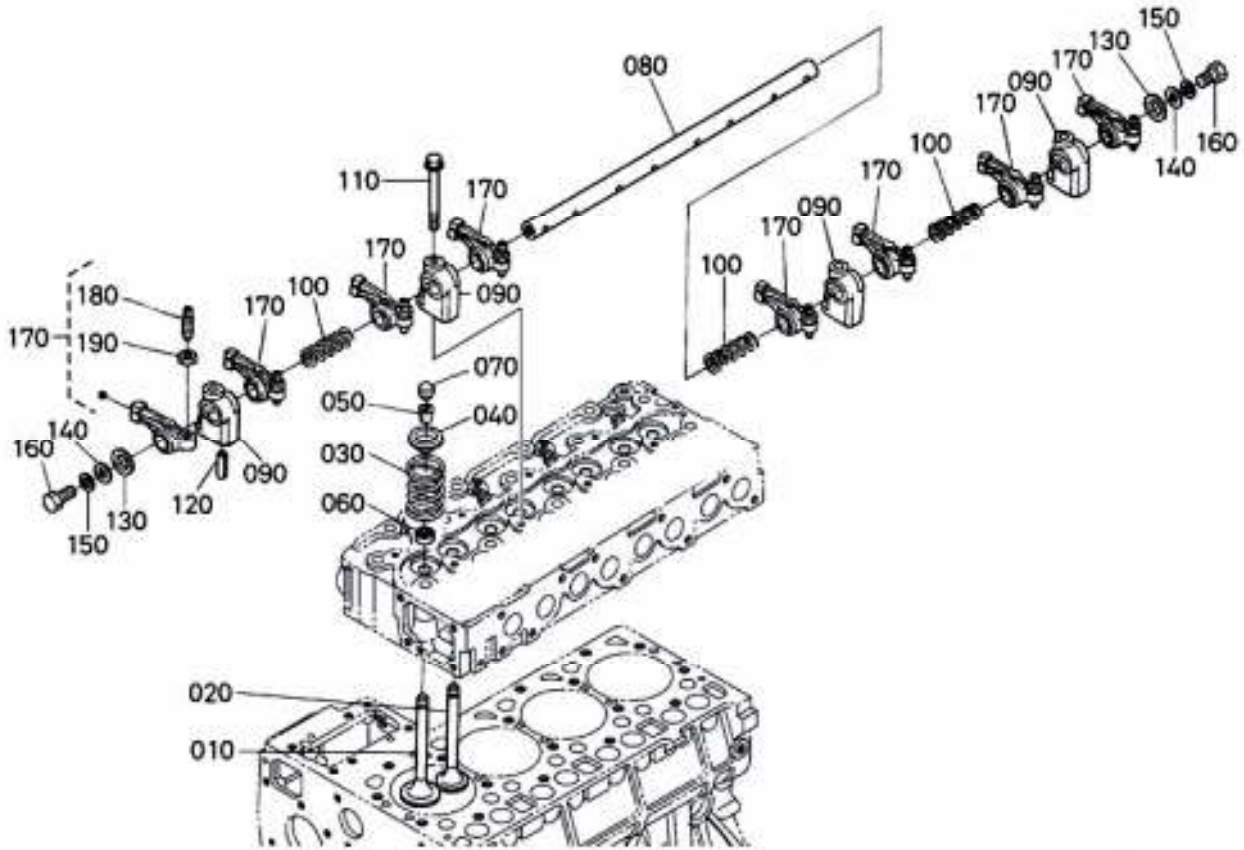
NO NO	PARÇA NO PART NO	TANIM	DESCRIPTION	ADET QTY	S.K. S.C.	SERİ NO SERIAL NO	D.T. ICA	NOT NOTE
010	M118005020	FAN	FAN	1				
020	M118005030	CİVATA, FLANŞLI	BOLT, FLANGE	1				
030	M118005200	FLANŞ	COLLAR, FAN	4				
040	M118005360	KASNAK, FAN	PULLEY, FAN	1				

REZERV TANKI
RESERVE TANK



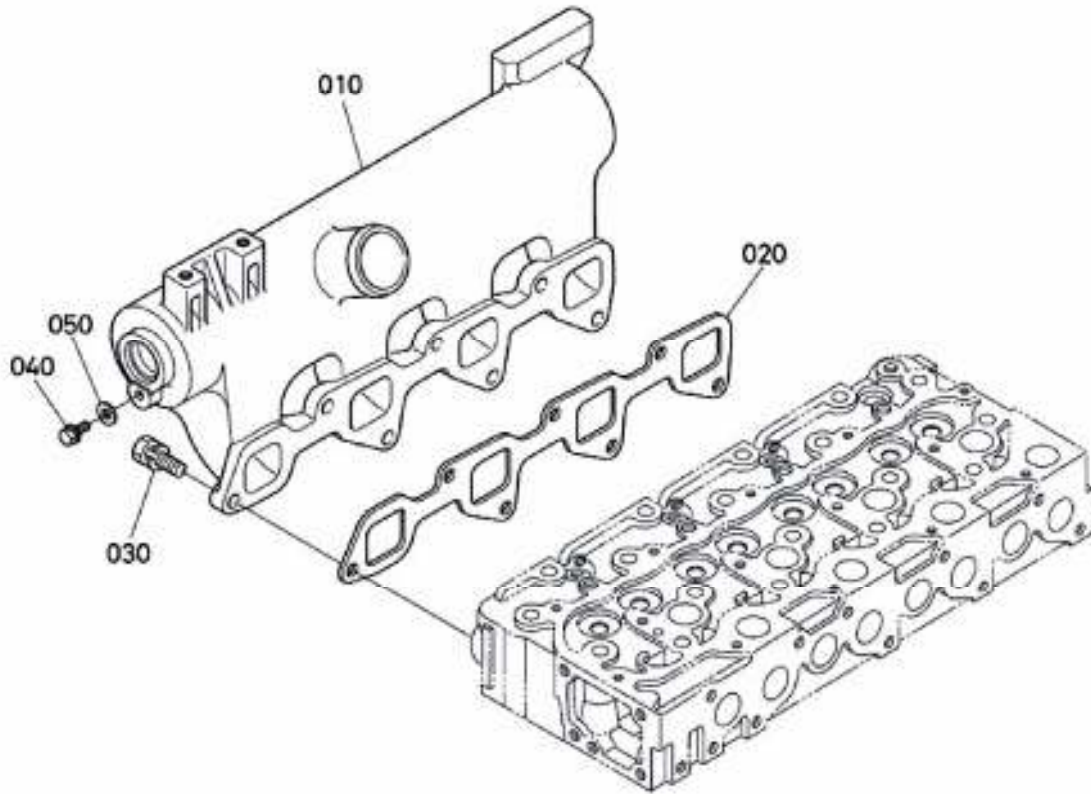
REZERV TANKI
RESERVE TANK

NO NO	PARÇA NO PART NO	TANIM	DESCRIPTION	ADET QTY	S.K. S.C.	SERİ NO SERIAL NO	D.T. ICA	NOT NOTE
010	M118006020	REZERV TANKI, KOMPLE	ASSY TANK RESERVE	1				
020	M118006030	KAPAK	CAP	1				
030	M118006040	CONTA	GASKET	1				
040	M118006050	HORTUM, TAŞMA	HOSE, OVER FLOW	1				
050	M118006060	HORTUM, TAŞMA	HOSE, OVER FLOW	1				
060	M118006070	KELEPÇE	CLIP, PIPE	2				
070	M118006080	HORTUM, SU TAŞIRMA	PIPE, WATER OVER FLOW	1				
080	M118006090	ETİKET	LABEL, CAUTION	1				
090	M118006100	DESTEK	STAY, RESERVE TANK	1				

VALF VE KÜLBÜTÖR KOLU
VALVE AND ROCKER ARM

VALF VE KÜLBÜTÖR KOLU
VALVE AND ROCKER ARM

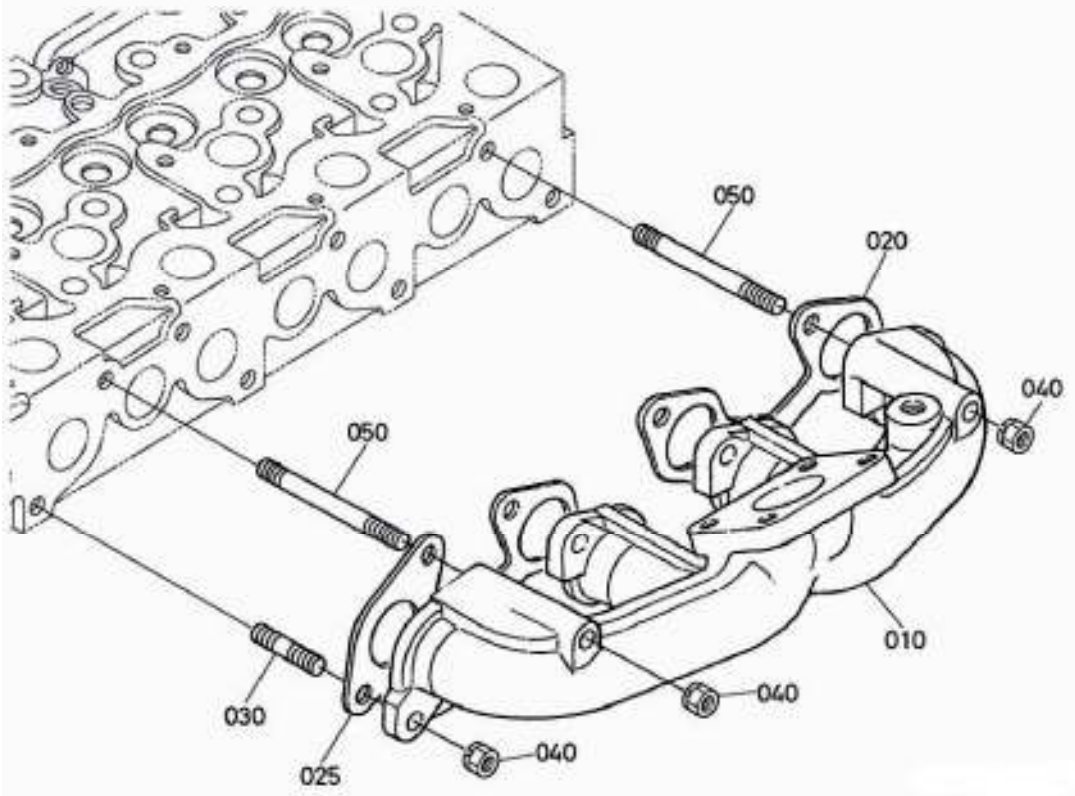
NO NO	PARÇA NO PART NO	TANIM	DESCRIPTION	ADET QTY	S.K. S.C.	SERİ NO SERIAL NO	D.T. ICA	NOT NOTE
010	M118005050	VALF, GİRİŞ	VALVE, INLET	4				
020	M118005060	VALF, EGSOZ	VALVE, EXHAUST	4				
030	M118005070	YAY, VALF	SPRING, VALVE	8				
040	M118005080	TUTUCU, VALF	RETAINER, VALVE SP.	8				
050	M118005090	YUVA, VALF YAY	COLLET, VALVE SPRING	8				
060	M118005100	KEÇE, VALF DESTEK	SEAL, VALVE STEM	8				
070	M118005110	KAPAK, VALF	CAP, VALVE	8				
080	M118005120	ŞAFT VE KÜLBÜTÖR KOLU	SHAFT, ROCKER ARM	1				
090	M118005130	BRAKET, KÜLBÜTÖR KOLU	BRACKET, ROCKER ARM	4				
100	M118005140	YAY, KÜLBÜTÖR KOLU	SPRING, ROCKER ARM	3				
110	M118005150	CİVATA, FLANŞLI	BOLT, FLANGE	4				
120	M118005160	PİM, YAYLI	PIN, SPRING	1				
130	M118005170	PUL	WASHER, R- ARM, SHAFT	2				
140	M118005180	PUL	WASHER, PLAIN	2				
150	M118001250	PİM, YAYLI	WASHER, SPRING	2				
160	M118002720	CİVATA	BOLT	2				
170	M118005210	KÜLBÜTÖR KOLU	ASSY ROCKER ARM	8				
180	M118005220	VİDA, AYAR	SCREW, ADJUSTING	8				
190	M118005230	SOMUN	NUT	8				

EMME MANIFOLDU
INLET MANIFOLD

**EMME MANİFOLDU
INLET MANIFOLD**

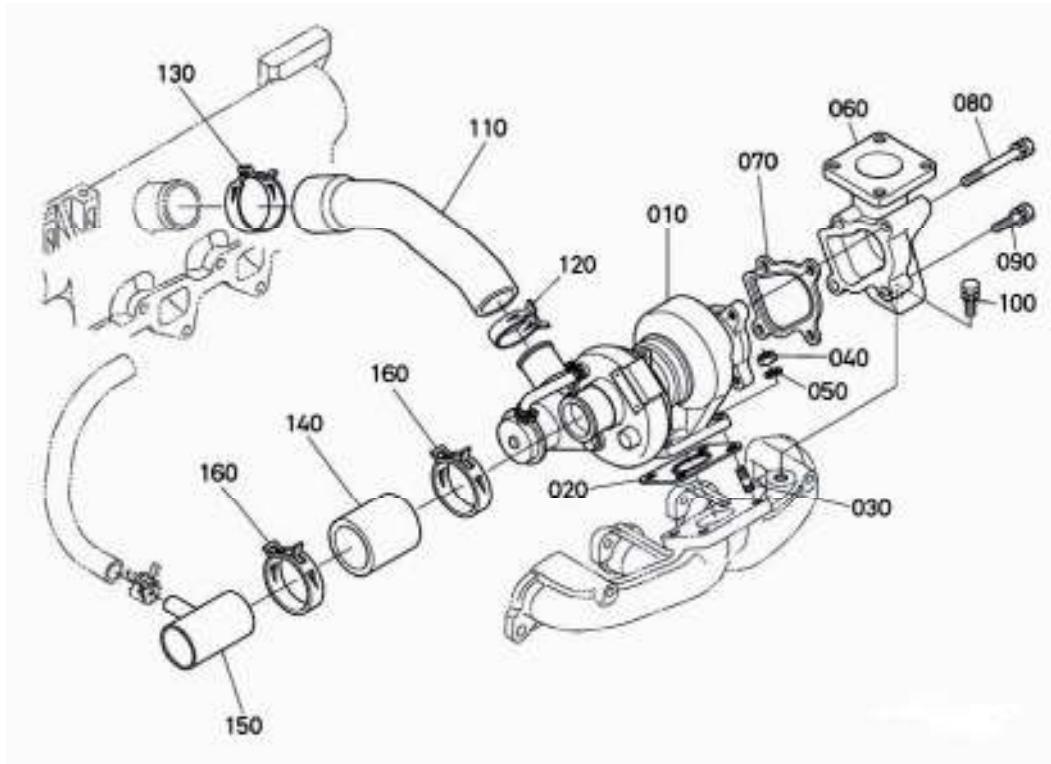
NO NO	PARÇA NO PART NO	TANIM	DESCRIPTION	ADET QTY	S.K. S.C.	SERİ NO SERIAL NO	D.T. ICA	NOT NOTE
010	M118005240	MANİFOLD, EMİŞ	MANIFOLD, INLET	1				
020	M118005250	CONTA, EMME MANİFOLDU	GASKET, IN- MANIFOLD	1				
030	M118005260	CİVATA	BOLT	7				
040	M118005040	CİVATA, FLANŞLI	BOLT, FLANGE	1				
050	M118003450	CONTA	GASKET	1				

EGSOZ MAN?FOLDU
EXHAUST MANIFOLD



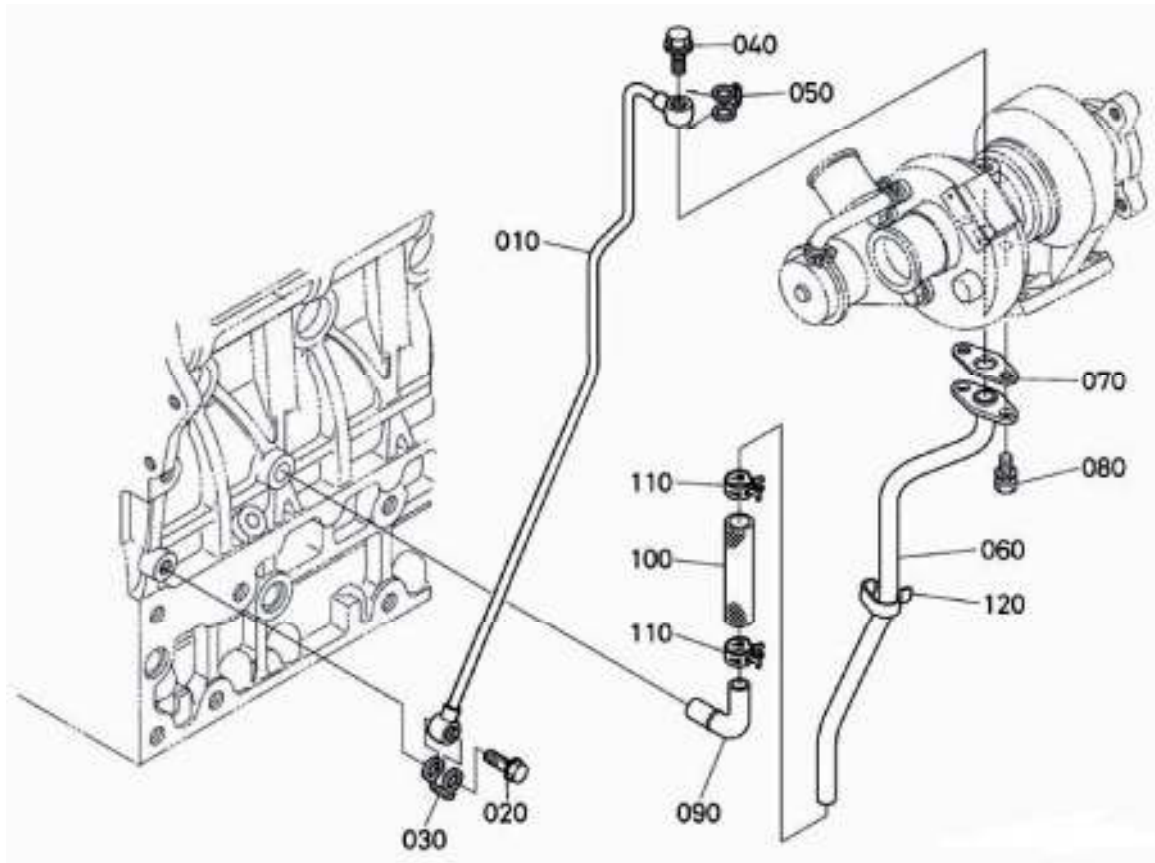
EGSOZ MANİFOLDU
EXHAUST MANIFOLD

NO NO	PARÇA NO PART NO	TANIM	DESCRIPTION	ADET QTY	S.K. S.C.	SERİ NO SERIAL NO	D.T. ICA	NOT NOTE
010	M118006110	EGSOZ MANİFOLDU	MANIFOLD, EXHAUST	1				
020	M118006120	CONTA	GASKET, EX-MANIFOLD	1				
025	M118006130	CONTA	GASKET, EX-MANIFOLD	1				
030	M118003240	SAPLAMA	STUD	6				
040	M118006140	SOMUN	NUT	8				
050	M118006150	SAPLAMA	STUD	2				

TURBO?ARJ
TURBO-CHARGER

TURBAŞARJ
TURBO- CHARGER

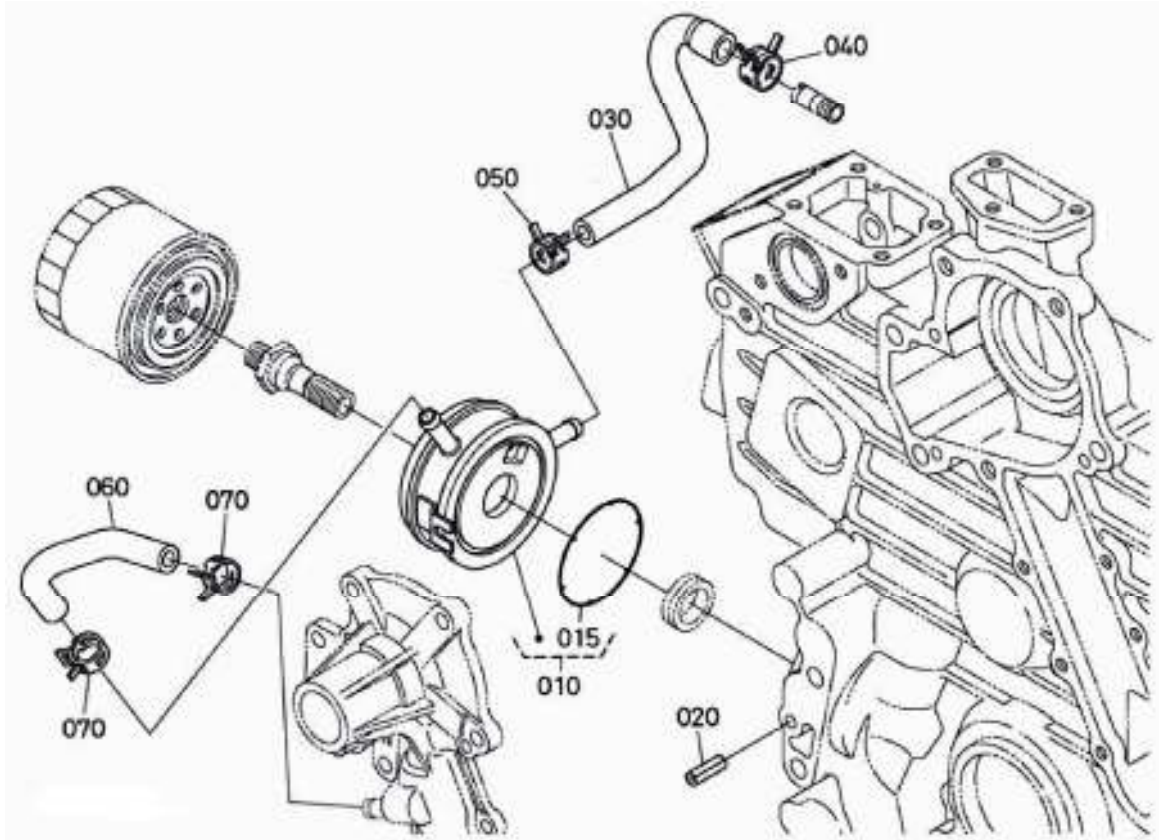
NO NO	PARÇA NO PART NO	TANIM	DESCRIPTION	ADET QTY	S.K. S.C.	SERİ NO SERIAL NO	D.T. ICA	NOT NOTE
010	M118005290	TÜRBOŞARJ	ASSY TURBO CHARGER	1				
020	M118005300	CONTA	GASKET	1				
030	M118005310	SAPLAMA	STUD	4				
040	M118001240	SOMUN	NUT	4				
050	M118001250	PUL, YAYLI	WASHER, SPRING	4				
060	M118005340	FLANŞ, SUSTURUCU	FLANGE, MUFFLER	1				
070	M118005350	CONTA	GASKET	1				
080	M118002950	CİVATA	BOLT	2				
090	M118004870	CİVATA	BOLT	4				
100	M118005370	CİVATA	BOLT	1				
110	M118005380	HORTUM, EMİŞ	HOSE, INLET	1				
120	M118005390	BAĞ, BORU	BAND, PIPE	1				
130	M118005400	BAĞ, BORU	BAND, PIPE	1				
140	M118005410	BORU, EMİŞ TURBO	TUBE, INLET TURBO	1				
150	M118005420	BORU, HAVA EMİŞ	PIPE, INLET BREATHER	1				
160	M118005400	BAĞ, BORU	BAND, PIPE	2				

YA? BORUSU (TURBO?ARJ)
OIL PIPE (TURBO-CHARGER)

YAĞ BORUSU (TURBOŞARJ)
OIL PIPE (TURBO CHARGER)

NO NO	PARÇA NO PART NO	TANIM	DESCRIPTION	ADET QTY	S.K. S.C.	SERİ NO SERIAL NO	D.T. ICA	NOT NOTE
010	M118005440	BORU, YAĞ	COMP. PIPE, OIL	1				
020	M118005450	CİVATA	BOLT, JOINT	1				
030	M118005460	CONTA	GASKET	1				
040	M118005470	CİVATA	BOLT, EYE JOINT	1				
050	M118005480	CONTA	GASKET	1				
060	M118005490	BORU, YAĞ	COMP. PIPE, OIL	1				
070	M118005500	CONTA	GASKET	1				
080	M118005560	CİVATA	BOLT	2				
090	M118005520	BORU, YAĞ	PIPE, OIL	1				
100	M118005530	BORU, YAĞ	TUBE, OIL	1				
110	M118005540	KELEPÇE, HORTUM	CLAMP, HOSE	2				
120	M118005550	KELEPÇE, BORU	CLAMP, PIPE	1				

YA? SO?UTUCU
OIL COOLER



YAĞ SOĞUTUCU
OIL COOLER

NO NO	PARÇA NO PART NO	TANIM	DESCRIPTION	ADET QTY	S.K. S.C.	SERİ NO SERIAL NO	D.T. ICA	NOT NOTE
010	M118005570	SOĞUTUCU, YAĞ	ASSY COOLER, OIL	1				
015	M118005580	O-RING	O-RING	1				
020	M118005590	PİM, YAYLI	PIN, SPRING	1				
030	M118005600	HORTUM, YAĞ SOĞUTUCU	HOSE, OIL COOLER	1				
040	M118004840	KELEPÇE, HORTUM	CLAMP, HOSE	1				
050	M118005620	BAĞ, BORU	BAND, PIPE	1				
060	M118005630	HORTUM, YAĞ SOĞUTUCU	HOSE, OIL COOLER	1				
070	M118005620	BAĞ, BORU	BAND, PIPE	2				

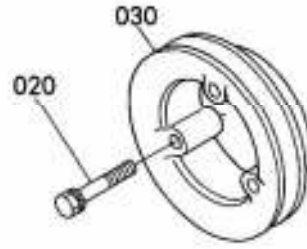
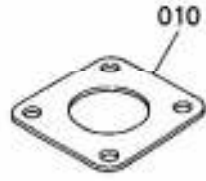
ÖN ISITMA LAMBASI VE ZAMANLAYICI
GLOW LAMP AND TIMER



ÖN ISITMA LAMBASI VE ZAMANLAYICI
GLOW LAMP AND TIMER

NO NO	PARÇA NO PART NO	TANIM	DESCRIPTION	ADET QTY	S.K. S.C.	SERİ NO SERIAL NO	D.T. ICA	NOT NOTE
010	M118005650	SAAT, KIZDIRMA LAMBASI	TIMER, GLOW LAMP	1				

AKSESUAR VE SERVİS PARÇALARI
ACCESSORIES AND SERVICE PARTS



AKSESUAR VE SERVİS PARÇALARI
ACCESSORIES AND SERVICE PARTS

NO NO	PARÇA NO PART NO	TANIM	DESCRIPTION	ADET QTY	S.K. S.C.	SERİ NO SERIAL NO	D.T. ICA	NOT NOTE
010	M118005670	CONTA, SUSTURUCU	GASKET, MUFFLER	1				
020	M118004690	ÇİVATA	BOLT	3				
030	M118005660	KASNAK, FAN SÜRÜCÜ	PULLEY, FAN DRIVE	1				

G

**MOTOR
ENGINE**

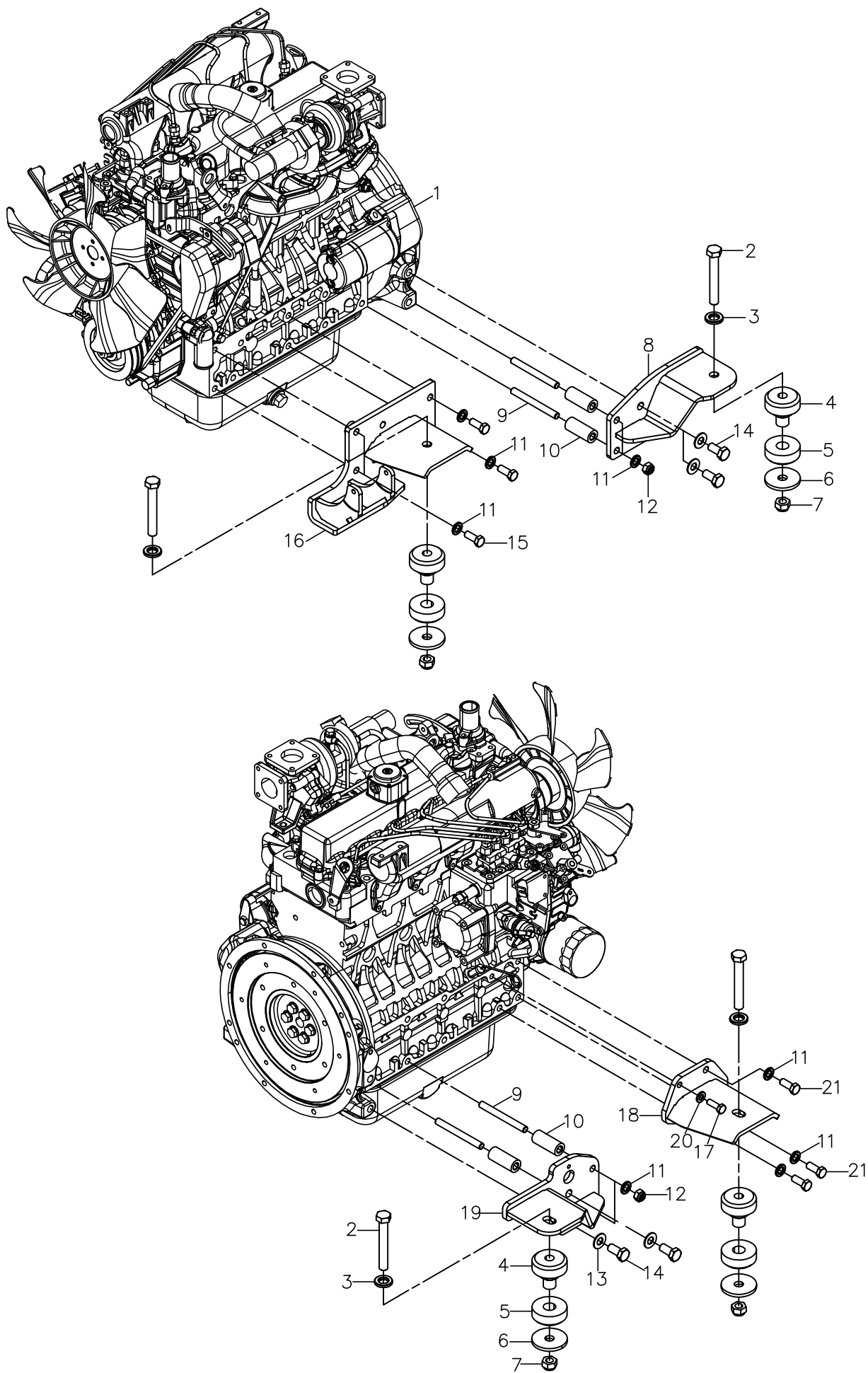
G1

**MOTOR
ENGINE**

G2

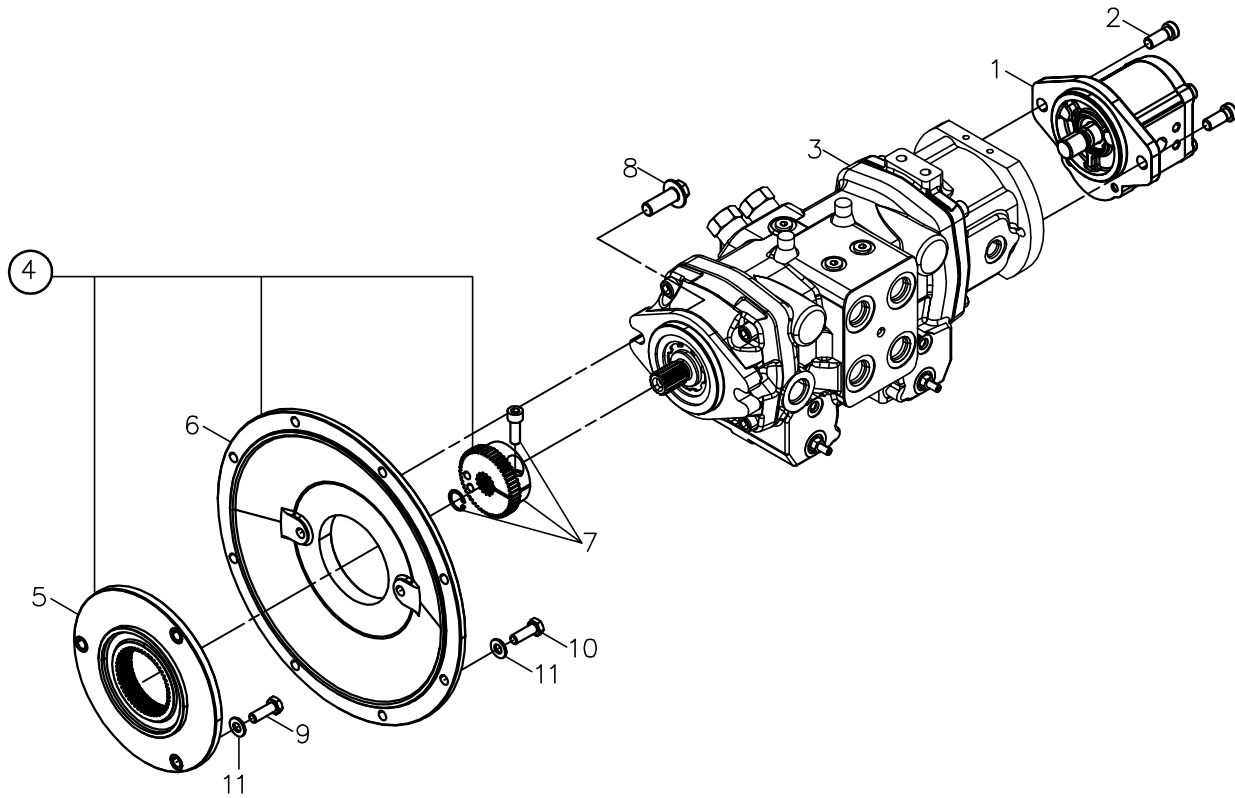
**MOTOR MONTAJLARI
ENGINE ASSEMBLY**

MOTOR MONTAJI
ENGINE ASSEMBLY



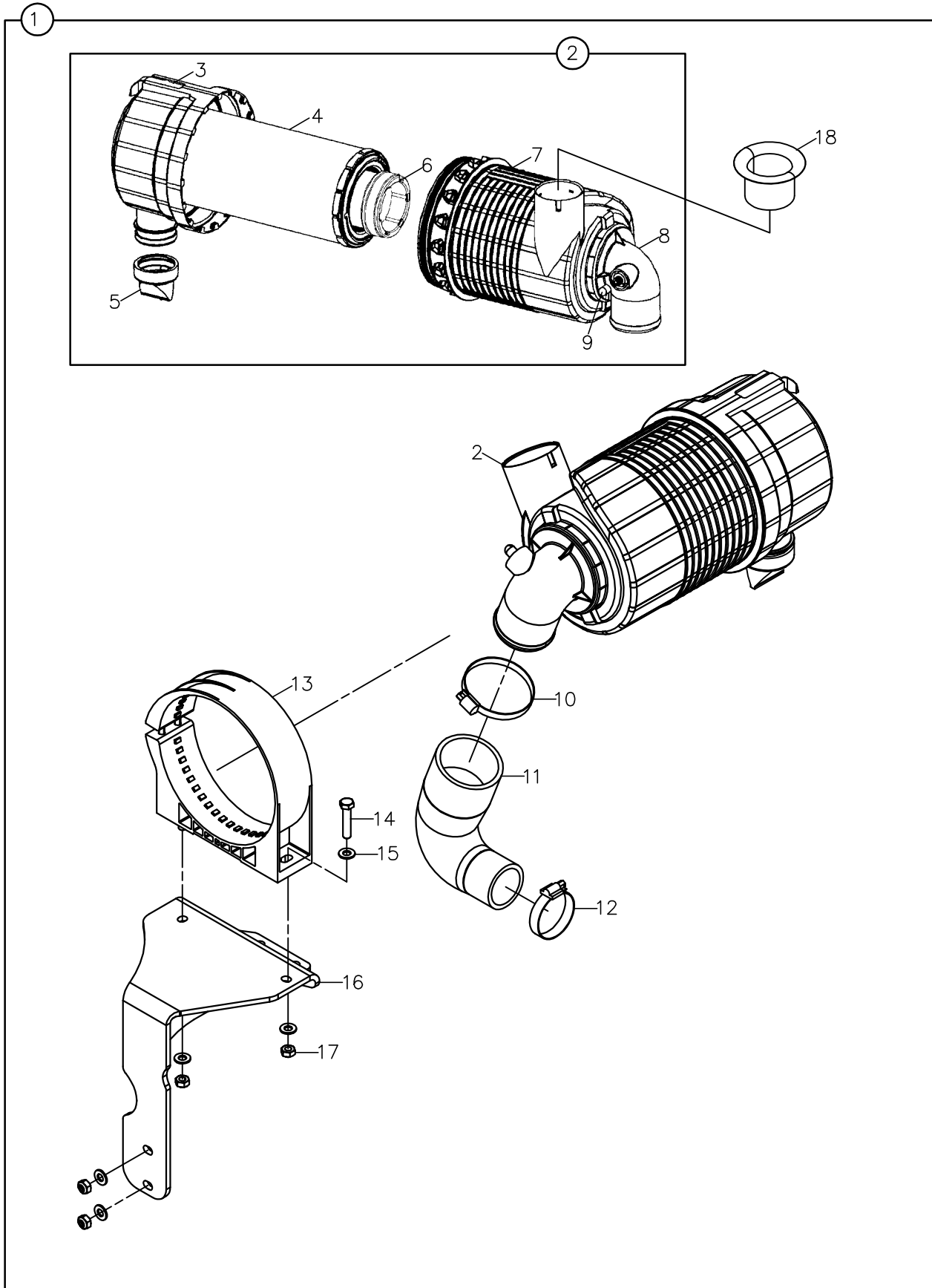
MOTOR MONTAJI
ENGINE ASSEMBLY

NO NO	PARÇA NO PART NO	TANIM	DESCRIPTION	ADET QTY	S.K. S.C.	SERİ NO SERIAL NO	D.T. ICA	NOT NOTE
	* M112000100							
1	M112002800	MOTOR	ENGINE	1				
2	N01/0381370	CİVATA, M16x110	BOLT M16x100	4				
3	N03/0810002	PUL, M16	WASHER M16	4				
4	M112002500	MOTOR TAKOZU UST PARCA	MOUNTING, RUBBER	4				
5	M112002600	MOTOR TAKOZU ALT PARCA	MOUNTING, LOWER	4				
6	M112002200	TAKOZ ALT SACI	WASHER	4				
7	N02/5910182	SOMUN M16	NUT M16	4				
8	M112000800	MOTOR BAGLANTI KULAGI SOL	ENGINE MOUNTING PLATE, LEFT	1				
9	M112001900	SAPLAMA	STUD	4				
10	M112001700	MOTOR BAGLANTI KULAGI ALTLIGI	ENGINE MOUNTING PLATE	4				
11	N02/5910122	SOMUN M12	NUT M12	4				
12	N03/0810001	PUL M12	WASHER M12	13				
13	M112002400	PUL M14	WASHER M14	4				
14	N01/0481958	CİVATA, M14x1,5x30	BOLT, M14x1,5x30	4				
15	N01/0481214	CİVATA, M12x1,25x40	BOLT, M12x1,25x40	4				
16	M112002900	MOTOR, KLIMA BAGLANTISI	ENGINE MOUNTING PLATE	1				
17	N01/0480843	CİVATA, M10x1,25x30	BOLT, M10x1,25x30	1				
18	M112001100	MOTOR BAGLANTI KULAGI, SAG ON	ENGINE MOUNTING PLATE, RIGHT, FRONT	1				
19	M112001400	MOTOR BAGLANTI KULAGI, ARKA SAG	ENGINE MOUNTING PLATE, RIGHT, BACK	1				
20	N03/0810015	PUL, M10	WASHER M10	1				
21	N01/0481190	CİVATA, M12x1,25x30	BOLT, M12x1,25x30	3				

MOTOR POMPA MONTAJI
ENGINE PUMP ASSEMBLY

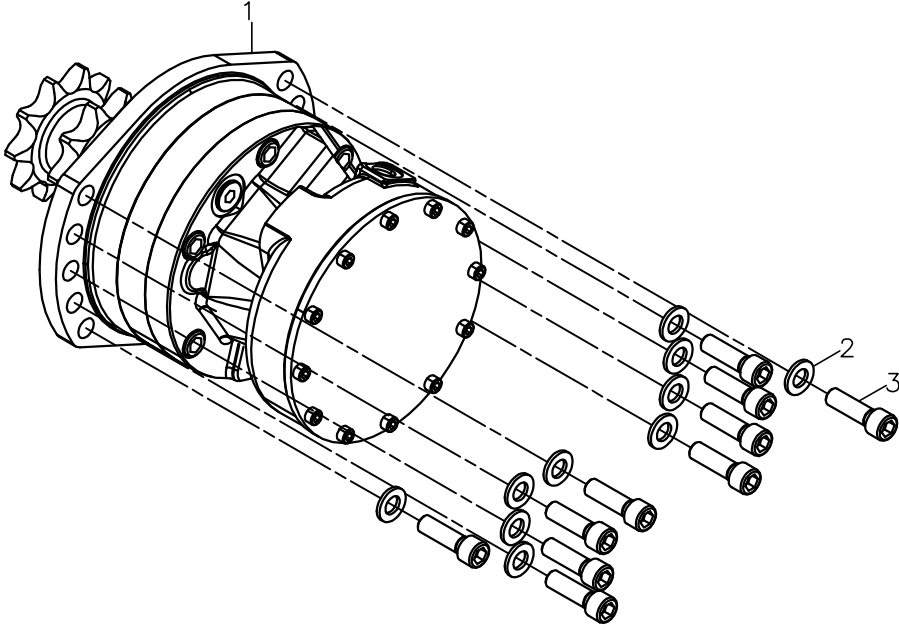
MOTOR POMPA MONTAJI
ENGINE PUMP ASSEMBLY

NO NO	PARÇA NO PART NO	TANIM	DESCRIPTION	ADET QTY	S.K. S.C.	SERİ NO SERIAL NO	D.T. ICA	NOT NOTE
	* M112100100							
1	M112100600	POMPA, DIŞLI	PUMP	1				
2	N01/5983245	CİVATA	BOLT	2				
3	M112100500	POMPA	PUMP	1				
4	M112100700	KAPLIN, KİT	COUPLIN, KIT	1				
5	M112100200	FLANŞ	FLANGE	1				
6	M112100400	VOLAN	FLYWHEEL	1				
7	M112100300	KAPLIN	COUPLIN	1				
8	N01/5983245	CİVATA M14x45	BOLT M14x45	2				
9	N01/0480843	CİVATA M10	BOLT M10	3				
10	N01/0232486	CİVATA M10	BOLT M10	8				
11	N03/0810015	PUL	WASHER	11				

HAVA FİLTRESİ VE BAĞLANTILARI
AIR FILTER AND MOUNTINGS

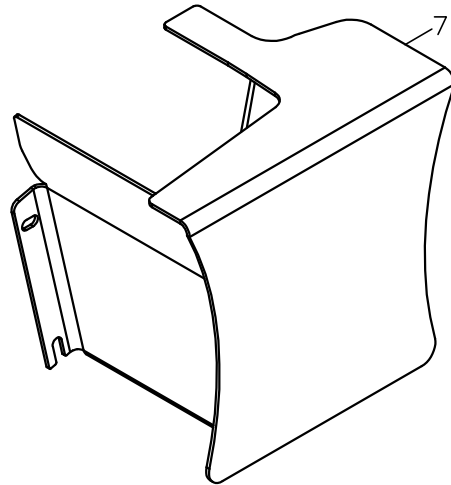
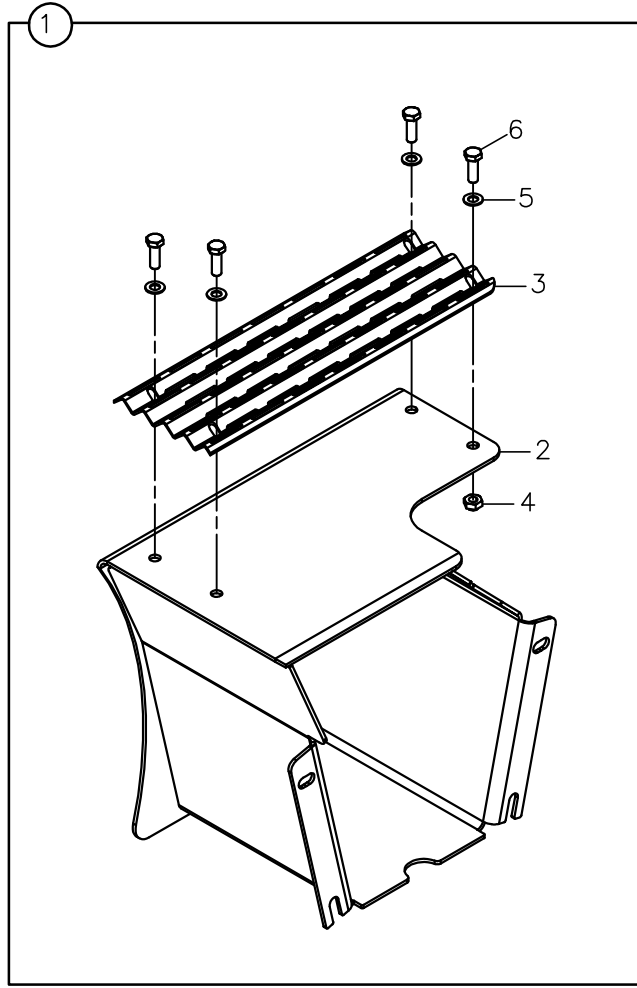
HAVA FİLTRESİ VE BAĞLANTILARI
AIR FILTER AND MOUNTINGS

NO NO	PARÇA NO PART NO	TANIM	DESCRIPTION	ADET QTY	S.K. S.C.	SERİ NO SERIAL NO	D.T. ICA	NOT NOTE
1	M112200100	HAVA FİLTRESİ, KOMPLE	AIR FILTER, ASSY	1				
2	M112200200	FİLTRE	FILTER	1				
3	M113100251	KAPAK KOMPLE	COVER ASSY.	1				
4	M113100250	HAVA DIŞ FİLTRESİ	MAIN ELEMENT ASSY.	1				
5	M113100252	TOZ ATICI	VAC. VALVE	1				
6	M113100260	HAVA İÇ FİLTRESİ	SAFETY ELEMENT ASSY.	1				
7	M113100254	GÖVDE	BODY	1	SOP			
8	M113100253	DİRSEK	OUTLET ELBOW	1	SOP			
9	F28/93017	KAPAK, KORUYUCU	PROTECTION CAP	1				
10	N07/4060080	KELEPÇE	CLAMP	1				
11	M112200800	HORTUM, HAVA FİLTRESİ	HOSE, AIR FILTER	1				
12	N07/4040060	KELEPÇE	CLAMP	1				
13	M112200300	BRAKET	BRACKET	1				
14	N01/0380386	CİVATA M8x40	BOLT M8x40	2				
15	N03/0100017	PUL M8	WASHER M8	6				
16	M112200500	BRAKET	BRACKET	1				
17	N02/5900062	SOMUN M8	NUT M8	4				
18	M112200900	HAVA FİLTRE KÖRÜĞÜ	GAITER	1				

YÜRÜYÜ? MOTORU
DRIVE MOTORS

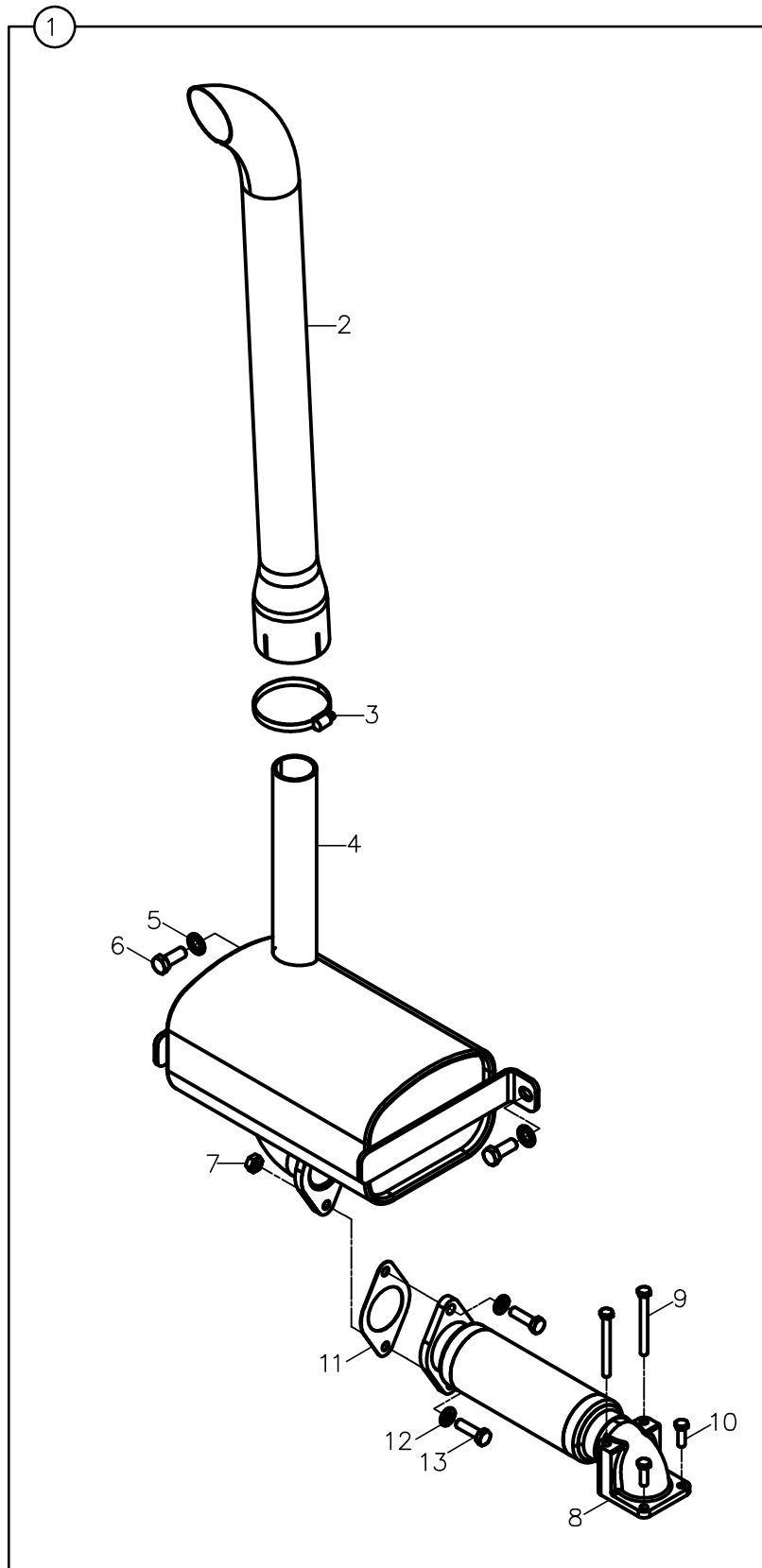
**YÜRÜYÜŞ MOTORU
DRIVE MOTORS**

NO NO	PARÇA NO PART NO	TANIM	DESCRIPTION	ADET QTY	S.K. S.C.	SERİ NO SERIAL NO	D.T. ICA	NOT NOTE
1	M114501900	HİDROMOTOR	DRIVE MOTORS	1				
2	N01/0232870	CİVATA M12x40	BOLT M12x40	10				
3	N03/0100023	PUL M12	WASHER M12	10				

YÜRÜYÜ? MOTORU KORUYUCULARI
DRIVE MOTORS CASE

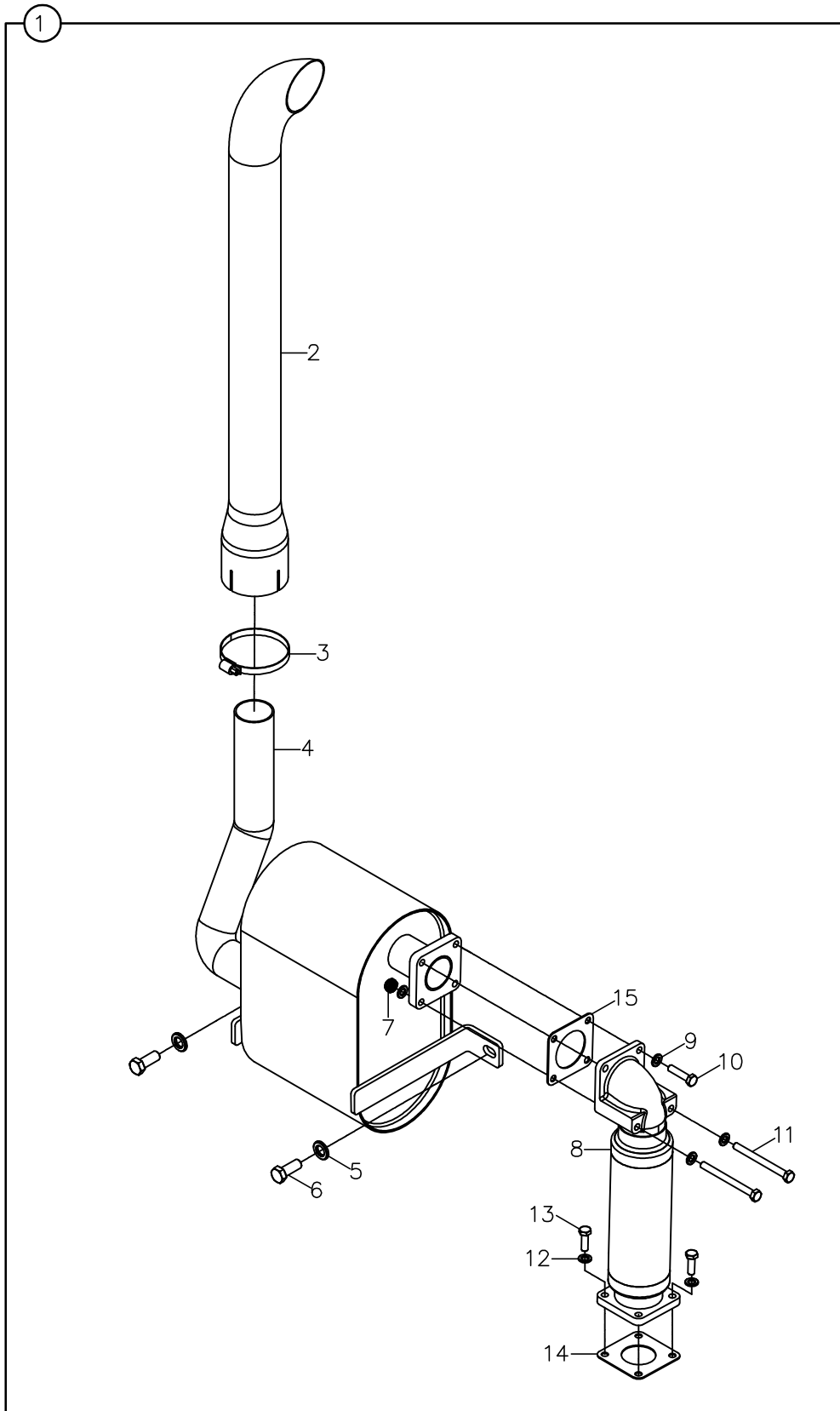
**YÜRÜYÜŞ MOTORU KORUYUCULARI
DRIVE MOTORS CASE**

NO NO	PARÇA NO PART NO	TANIM	DESCRIPTION	ADET QTY	S.K. S.C.	SERİ NO SERIAL NO	D.T. ICA	NOT NOTE
1	M114503800	HİDROMOTOR KORUYUCU, SOL, KOMPLE	DRIVE MOTORS CASE, LEFT, ASSEMBLY	1				
2	M114503000	HİDROMOTOR KORUYUCU, SOL	DRIVE MOTORS CASE, LEFT	1				
3	M114503700	HİDROMOTOR ÜST SACI	PLATE, DRIVE MOTORS	1				
4	N02/5900086	SOMUN M10	NUT M10	4				
5	N03/0100020	PUL M10	WASHER M10	4				
6	N01/0232486	CİVATA M10x30	BOLT M10x30	4				
7	M114503400	HİDROMOTOR KORUYUCU, SAĞ	DRIVE MOTORS CASE, RIGHT	1				

EGSOZ MONTAJI
EXHAUST ASSEMBLY

EGSOZ MONTAJI
EXHAUST ASSEMBLY

NO NO	PARÇA NO PART NO	TANIM	DESCRIPTION	ADET QTY	S.K. S.C.	SERİ NO SERIAL NO	D.T. ICA	NOT NOTE
1	M112300100	EGSOZ KOMPLE	EXHAUST ASSEMBLY	1				
2	M112300700	EGSOZ BORUSU	PIPE, EXHAUST EXTENSION	1				
3	N07/4076092	KELEPÇE	CLIP	1				
4	M112300200	EGSOZ SUSTURUCUSU	SILENCER, EXHAUST	1				
5	N03/0810001	PUL M12	WASHER M12	2				
6	N01/0232846	CİVATA M12x30	BOLT M12x30	2				
7	N02/3570206	SOMUN M10	NUT M10	2				
8	M112300300	FLEKS- DİRSEK	ELBOW	1				
9	N01/0222282	CİVATA M8x80	BOLT M8x80	2				
10	N01/0232138	CİVATA M8x25	BOLT M8x25	2				
11	M112300800	EGSOZ CONTASI	GASKET	1				
12	N03/0810015	PUL M10	WASHER M10	2				
13	N01/0232498	CİVATA M10x35	BOLT M10x35	2				

EGSOZ MONTAJI
EXHAUST ASSEMBLY

EGSOZ MONTAJI
EXHAUST ASSEMBLY

NO NO	PARÇA NO PART NO	TANIM	DESCRIPTION	ADET QTY	S.K. S.C.	SERİ NO SERIAL NO	D.T. ICA	NOT NOTE
1	M112300100	EGSOZ KOMPLE	EXHAUST ASSEMBLY	1				
2	M112300700	EGSOZ BORUSU	PIPE, EXHAUST EXTENSION	1				
3	N07/4076092	KELEPÇE	CLIP	1				
4	M112301700	EGSOZ SUSTURUCUSU	SILENCER, EXHAUST	1				
5	N03/0810001	PUL M12	WASHER M12	2				
6	N01/0232846	CİVATA M12x30	BOLT M12x30	2				
7	N02/5910062	SOMUN M8	NUT M8	4				
8	M112301500	FLEKS - DIRSEK	ELBOW	1				
9	N03/0810014	PUL	WASHER	4				
10	N01/0232174	CİVATA M8x35	BOLT M8x35	2				
11	N01/0380494	CİVATA M8x90	BOLT M8x90	2				
12	N03/0810015	PUL M10	WASHER M10	2				
13	N01/0232498	CİVATA M10x35	BOLT M10x35	2				
14	M118005670	CONTA	GASKET	1				
15	M112302100	EGSOZ CONTASI	GASKET	1				

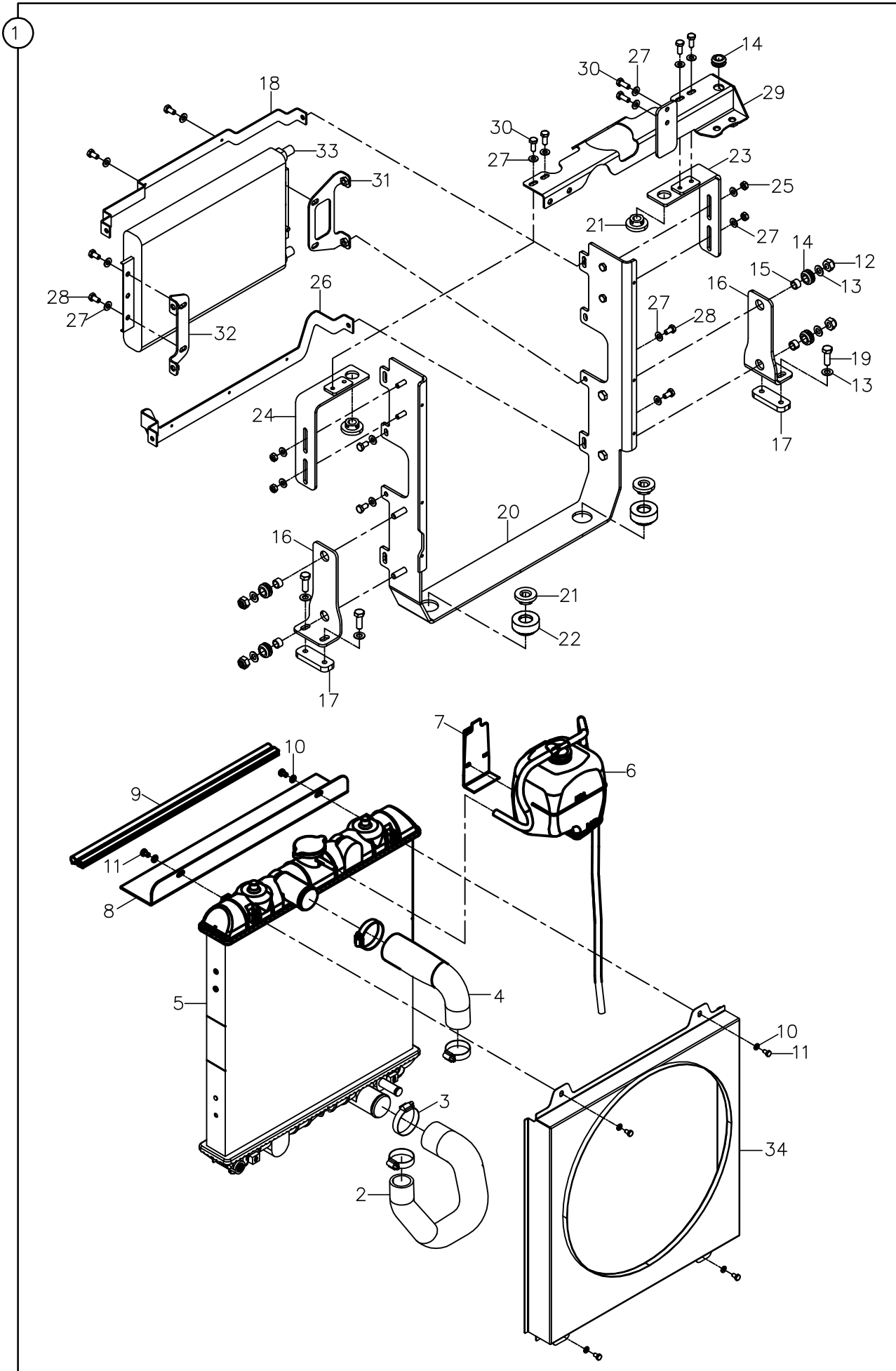
H

**ISITMA VE SOĞUTMA
HEATING AND COOLING**

H1

**ISITMA VE SOĞUTMA
HEATING AND COOLING**

RADYATÖR, YA? SO?UTUCU VE BA?LANTILARI
 RADIATOR, OIL COOLER AND FITTINGS

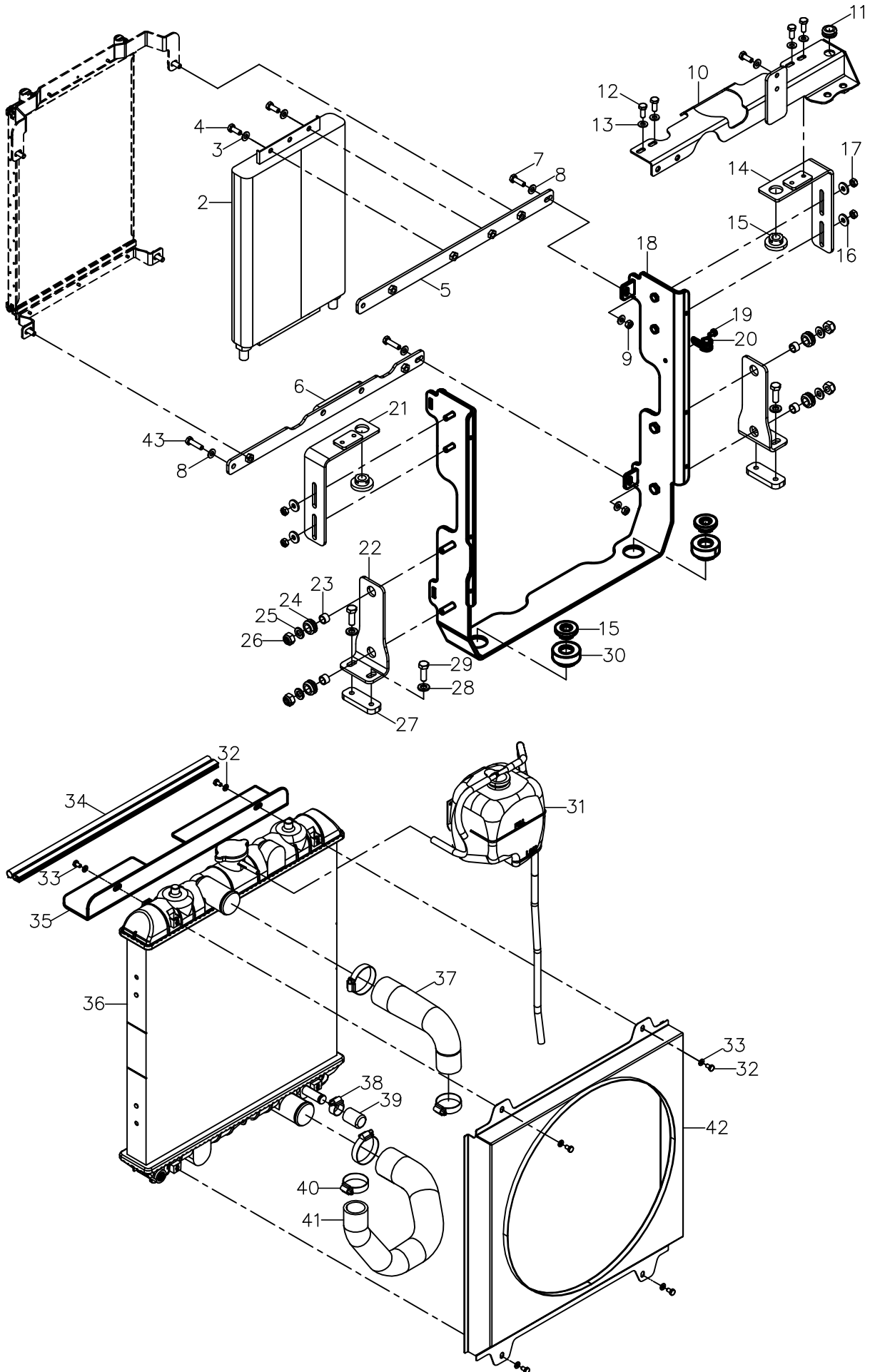


RADYATÖR, YAĞ SOĞUTUCU VE BAĞLANTILARI
RADIATOR - OIL COOLER AND FITTINGS

NO NO	PARÇA NO PART NO	TANIM	DESCRIPTION	ADET QTY	S.K. S.C.	SERİ NO SERIAL NO	D.T. ICA	NOT NOTE
1	M112400100	SOĞUTMA SİSTEMİ KOMPLE	COOLING SYSTEM, ASSY.	1				
2	M112402100	HORTUM, SU ÇIKIŞ	WATER OUTLET,HOSE	1				
3	N07/4040060	KELEPÇE	CLAMP	4				
4	M112401400	HORTUM, SU GİRİŞ	WATER INPUT,HOSE	1				
5	M112401700	YAĞ RADYATÖRÜ	OIL RADIATOR	1				
6	M112402900	TAŞIRMA KABI	EXPANSION TANK	1				
7	M112403000	TAŞIRMA KABI BAĞLANTISI	EXPANSION TANK, BRACKET	1				
8	M112404200	HAVA PERDE SACI	AIR CURTAIN	1				
9	M112404500	FİTİL	STRIP	1				
10	N03/0100013	PUL	WASHER	6				
11	N01/0231442	CİVATA M6x10	BOLT M6x10	6				
12	N02/5900086	SOMUN M10	NUT M10	4				
13	N03/0100020	PUL M10	WASHER M10	8				
14	810/40006	GROMET	GROMMET	5				
15	020/21088	YÜZÜK	RING	4				
16	M112400500	RADYATÖR BAĞLANTISI	RADIATOR, MOUNTING	2				
17	M112401300	RADYATÖR BAĞLANTI SACI	MOUNTING, PLATE	2				
18	M112401200	KONDENSER ÜST BAĞLANTISI	CONDENSER UPPER MOUNTING	1				
19	N01/0380566	CİVATA M10x30	BOLT M10x30	4				
20	M112400300	RADYATÖR SACI	RADIATOR	1				
21	M112401800	LASTİK, GROMET	RUBBER, GROMMET	4				
22	M112400200	RADYATÖR GROMET YATAĞI	BUSHING	2				
23	M112402400	RADYATÖR ÜST BAĞLANTI SACI, SAĞ	RADIATOR UPPER PLATE, RIGHT	1				
24	M112402500	RADYATÖR ÜST BAĞLANTI SACI, SOL	RADIATOR UPPER PLATE, LEFT	1				
25	N02/5900062	SOMUN M8	NUT M8	4				
26	M112401100	KONDENSER ALT BAĞLANTISI	CONDENSER BOTTOM BRACKET	1				
27	N03/0100017	PUL M8	WASHER M8	18				
28	N01/0232078	CİVATA M8x16	BOLT M8x16	8				
29	M112402600	TAŞIRMA KABI BAĞLANTISI	EXPANSION TANK, BRACKET	1				
30	N01/0222114	CİVATA M8x20	BOLT M8x20	6				
31	M112400700	YAĞ SOĞUTUCU BAĞLANTISI, SAĞ	OIL COOLER, MOUNTING, RIGHT	1				
32	M112400900	YAĞ SOĞUTUCU BAĞLANTISI, SOL	OIL COOLER, MOUNTING, LEFT	1				
33	M112401900	HİDROLİK YAĞ SOĞUTUCU	OIL COOLER, HYDRAULIC	1				
34	M112403400	DAVLUMBAZ	COWLING, FAN	1				

RADYATÖR, YA? SO?UTUCU VE BA?LANTILARI
RADIATOR, OIL COOLER AND FITTINGS

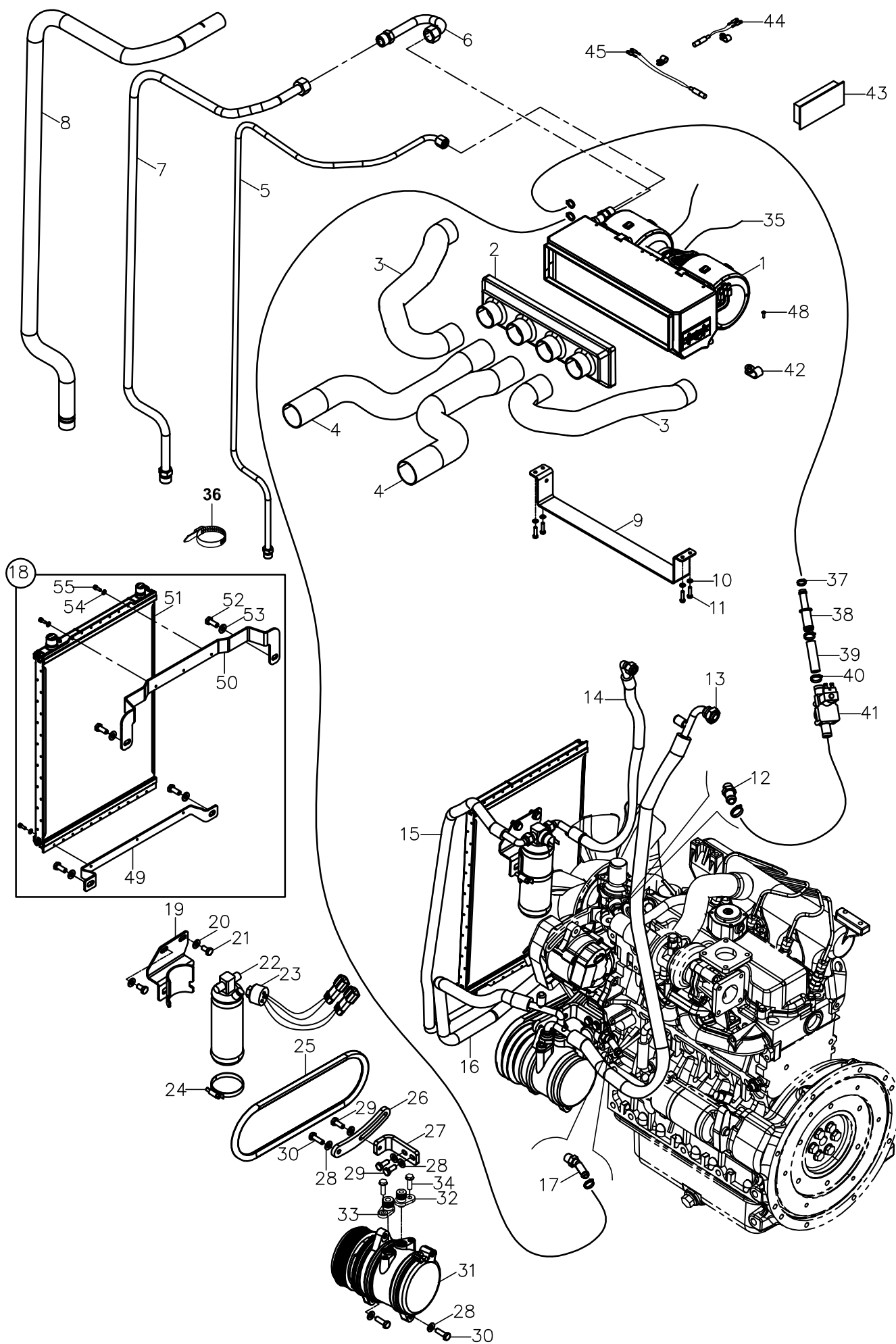
1



RADYATÖR, YAĞ SOĞUTUCU VE BAĞLANTILARI
RADIATOR - OIL COOLER AND FITTINGS

NO NO	PARÇA NO PART NO	TANIM	DESCRIPTION	ADET QTY	S.K. S.C.	SERİ NO SERIAL NO	D.T. ICA	NOT NOTE
1	M112400100	SOĞUTMA SİSTEMİ	COOLING SYSTEM, ASSY.	1				
2	M112401900	HİDROLİK YAĞ SOĞUTUCU	OIL COOLER, HYDRAULIC	1				
3	N03/0100017	PUL M8	WASHER M8	4				
4	N01/0232078	CİVATA M8x15	BOLT M8x15	4				
5	M112405000	KONDENSER ÜST BAĞLANTISI	CONDENSER UPPER MOUNTING	1				
6	M112405200	KONDENSER ALT BAĞLANTISI	CONDENSER BOTTOM BRACKET	1				
7	N01/0232138	CİVATA M8x25	BOLT M8x25	2				
8	N03/0100017	PUL M8	WASHER M8	4				
9	N02/5910062	SOMUN M8	NUT M8	4				
10	M112402600	TAŞIRMA KABI BAĞLANTISI	EXPANSION TANK, BRACKET	1				
11	810/40006	GROMET	GROMMET	1				
12	N01/032114	CİVATA M8x20	BOLT M8x20	6				
13	N03/0100017	PUL M8	WASHER M8	6				
14	M112402400	RADYATÖR ÜST BAĞLANTI SACI, SAĞ	RADIATOR UPPER PLATE, RIGHT	1				
15	M112401800	LASTİK, GROMET	RUBBER, GROMMET	4				
16	N03/0020111	PUL M8	WASHER M8	4				
17	N02/5910062	SOMUN M8	NUT M8	4				
18	M112400300	RADYATÖR SACI	RADIATOR	1				
19	N01/0231442	CİVATA M6x10	BOLT M6x10	1				
20	N07/7001215	KELEPÇE TİTREŞİM EMİCİ	HOSE HOLDER	1				
21	M112402500	RADYATÖR ÜST BAĞLANTI SACI, SOL	RADIATOR UPPER PLATE, LEFT	1				
22	M112400500	RADYATÖR BAĞLANTISI	RADIATOR, MOUNTING	2				
23	020/21088	YÜZÜK	RING	4				
24	810/40006	GROMET	GROMMET	4				
25	N03/0810015	PUL M10	WASHER M10	4				
26	N02/5910086	SOMUN M10	NUT M10	4				
27	M112401300	RADYATÖR BAĞLANTI SACI	MOUNTING, PLATE	2				
28	N03/0810015	PUL M10	WASHER M10	4				
29	N01/0380566	CİVATA M10x30	BOLT M10x30	4				
30	M112400200	RADYATÖR GROMET YATAĞI	BUSHING	2				
31	M112402900	TAŞIRMA KABI	EXPANSION TANK	1				
32	N01/0231442	CİVATA M6x10	BOLT M6x10	6				
33	N03/0100013	PUL M6	WASHER M6	6				
34	M112404500	FİTİL	STRIP	1				
35	M112404201	HAVA PERDE SACI	AIR CURTAIN	1				
36	M112401700	YAĞ RADYATÖRÜ	OIL RADIATOR	1				
37	M112401400	HORTUM, SU GİRİŞ	WATER INPUT,HOSE	1				
38	N07/4016025	KELEPÇE	CLAMP	1				
39	M112404900	TAHLİYE TAPASI	PLUG	1				
40	N07/4040060	KELEPÇE	CLAMP	4				
41	M112402100	HORTUM, SU ÇIKIŞ	WATER OUTLET,HOSE	1				
42	M112403400	DAVLUMBAZ	COWLING, FAN	1				
43	N01/0232162	CİVATA M8x30	BOLT M8x30	2				

KL?MA, SO?UTMA S?STEM?
AIR CONDITIONER, COOLING SYSTEM



KLİMA, SOĞUTMA SİSTEMİ
AIR CONDITIONER, COOLING SYSTEM

NO NO	PARÇA NO PART NO	TANIM	DESCRIPTION	ADET QTY	S.K. S.C.	SERİ NO SERIAL NO	D.T. ICA	NOT NOTE
	* M112700100 - M112702300				RK			
1	M112701400	EVAPARATÖR	EVAPARATOR	1				
2	M112701500	KAPAK	COVER	1				
3	M112701600	HORTUM	HOSE	2				
4	M112701700	HORTUM	HOSE	2				
5	M112702100	BORU	PIPE	1				
6	M112702400	BORU	PIPE	1				
7	M112702000	BORU	PIPE	1				
8	M112702500	EXPANSION İZOLESİ	INSULATED HOSE	1				
9	M116001800	KLİMA BRAKETİ	BRACKET	1				
10	N03/0100011	PUL M5	WASHER M5	4				
11	N01/0231226	CİVATA M5x20	BOLT M5x20	4				
12	M112702900	İNİPEL, SICAK SU	ADAPTER	1				
13	M112704100	HORTUM	HOSE	1				
14	M112704000	HORTUM	HOSE	1				
15	M112703900	HORTUM	HOSE	1				
16	M112703800	HORTUM	HOSE	1				
17	M112703000	İNİPEL, SICAK SU	ADAPTER	1				
18	M112702800	KONDENSER KOMPLE	CONDENSER ASSY.	1				
19	M112700700	KURUTUCU BAĞLANTI SACI	BRACKET	1				
20	N03/0100017	PUL M8	WASHER M8	2				
21	N01/0232078	CİVAT M8x16	BOLT M8x16	2				
22	M112703100	KURUTUCU	DRYER	1				
23	M112703200	MÜŞÜR, KLİMA	SWITCH, AC	1				
24	N07/4050070	KELEPÇE	CLIP	1				
25	M112701100	KLİMA KAYIŞI	BELT, A/C	1				
26	M112700600	KOMPRESÖR GERĞİ KOLU	BRACKET	1				
27	M112700500	KOMPRESÖR GERĞİSİ	BRACKET	1				
28	N03/0100017	PUL M8	WASHER M8	6				
29	N01/0232114	CİVAT M8x20	BOLT M8x20	3				
30	N01/0232138	CİVAT M8x25	BOLT M8x25	3				
31	M112700200	KOMPRESÖR	COMPRESSOR	1				
32	M112700400	RAKOR	ADAPTER	1				
33	M112700300	RAKOR	ADAPTER	1				
34	N01/5890458	CİVAT M8x20	BOLT M8x20	2				
35	799/00120	DRAİN KORTUMU	HOSE	2				
36	510/01810	KABLO BAĞI	TIE, CABLE	20				
37	N07/4016027	KELEPÇE	CLAMP	12				
38	M112704300	HORTUM ADAPTÖRÜ	ADAPTER	1				
39	H06/7030102	HORTUM	HOSE	0.5m				
40	N07/4012020	KELEPÇE	CLAMP	2				
41	M112704200	KALORİFER MUSLUĞU	TAP, HEATER	1				
42	N07/7002426	TİTREŞİM EMİCİ KELEPÇE	HOSE HOLDER	2				
43	M112701800	DİJİTAL KONTROL PANELİ	CONTROL PANEL	1				
44	M112703600	SENSÖR, KISA	SENSOR, SHORT	1				
45	M112703500	SENSÖR, UZUN	SENSOR, LONG	1				
46	H06/7030102	HORTUM	HOSE	3.5m				
47	H06/7030102	HORTUM	HOSE	4m				
48	N04/1150349	VİDA M3.9x16	SCREW M3.9x16	4				
49	M112702600	ÜST BAĞLANTI SACI	BRACKET, UPPER	1				
50	M112702701	ALT BAĞLANTI SACI	BRACKET, BOTTOM	1				
51	M112701200	KONDENSER	CONDENSER	1				
52	N01/0232114	CİVATA M8x20	BOLT M8x20	4				
53	N03/0100017	PUL M8	WASHER M8	4				
54	N03/0020001	PUL M4	WASHER M4	5				
55	N01/5870050	CİVATA M4x16	BOLT M4x16	5				

K

**ETİKET, LEVHALAR VE AVADANLIK
DECAL, PLATES & TOOL**

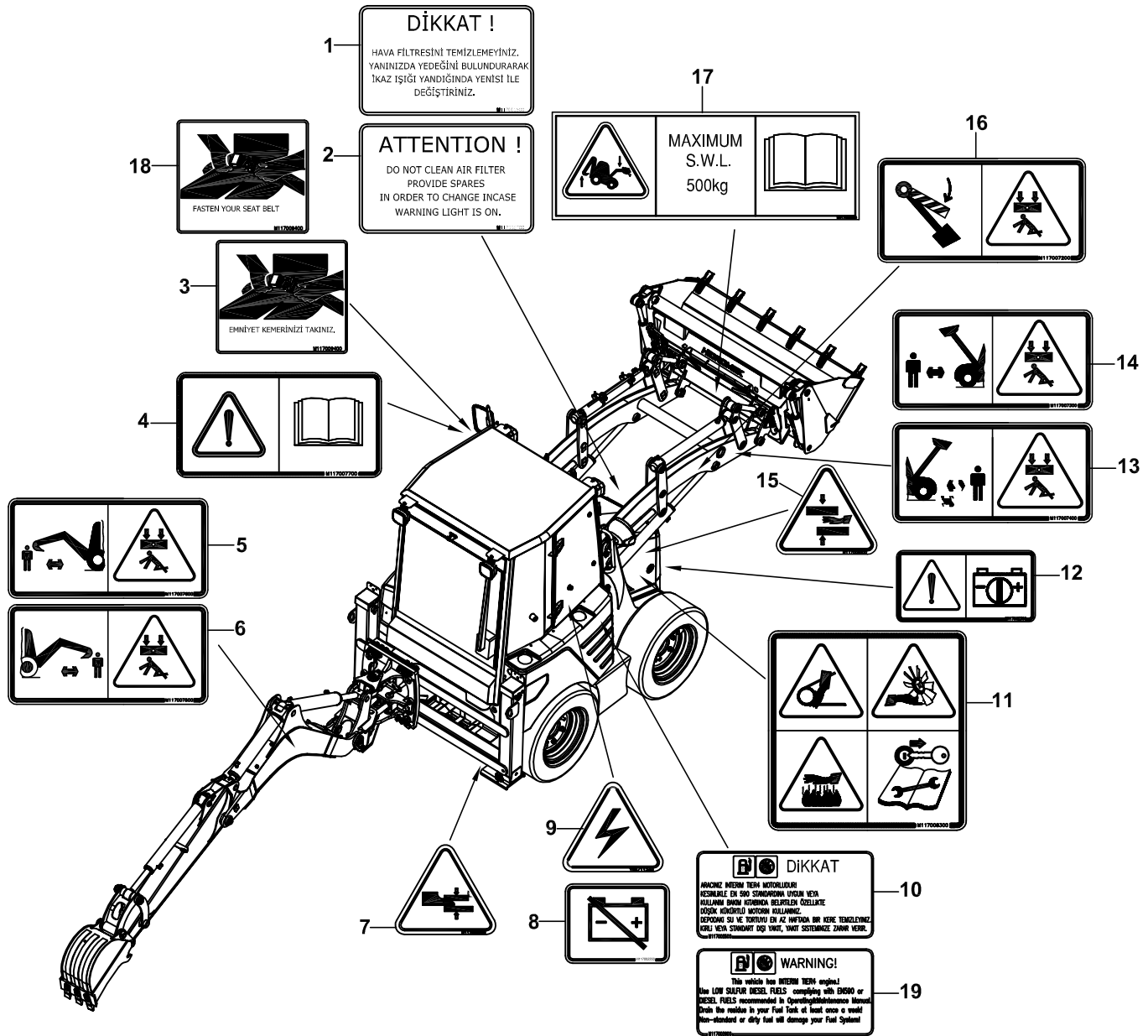
K1

**ETİKET VE LEVHALAR VE AVADANLIK
DECAL, PLATES & TOOL**

**ETİKET VE LEVHALAR, KULLANIM VE BAKIM
DECAL AND PLATES, OPERATING & MAINTENANCE**

NO NO	PARÇA NO PART NO	TANIM	DESCRIPTION	ADET QTY	S.K. S.C.	SERİ NO SERIAL NO	D.T. ICA	NOT NOTE
1	M117005000	ETİKET, BAKIM TABLOSU	DECAL, MAINTENANCE TABLE	1				
2	M117005200	ETİKET BAKIM TABLOSU, İNG	DECAL, MAINTENANCE TABLE, ENGLISH	1				
3	M117001100	ETİKET, YAĞLAMA ŞEMASI	DECAL, GREASING TABLE	1				
4	M117001200	ETİKET, YAĞLAMA ŞEMASI, İNG.	DECAL, GREASING TABLE ENGLISH	1				
5	M117002000	ETİKET, ÖN KUMANDA LEVYE FONKSİYON	DECAL, LOADER CONTROL LEVERS	1				
6	M117008800	KUMANDA KİLİT ETİKETİ	DECAL, CONTROL LOCKING	1				
7	Y06/20500	ETİKET, ANTİFİRİZ	DECAL, ANTIFREEZE	1				
8	Y06/50060	ETİKET, ANTİFİRİZ, İNG	DECAL, ANTIFREEZE	1				
9	M117001500	ETİKET, SİGORTA-RÖLE TABLASI	DECAL, FUSE-RELAY BOARD	1				
10	M117001600	ETİKET, SİGORTA-RÖLE TABLASI, İNG.	DECAL, FUSE-RELAY BOARD, ENGLISH	1				
11	M117003000	ETİKET, JOYSTİCK FONKSİYON, KAZICI (SAĞ)	DECAL, JOYSTICK FUNCTION (RIGHT)	1				
12	M117003100	ETİKET, JOYSTİCK FONKSİYON, KAZICI (SOL)	DECAL, JOYSTICK FUNCTION (LEFT)	1				

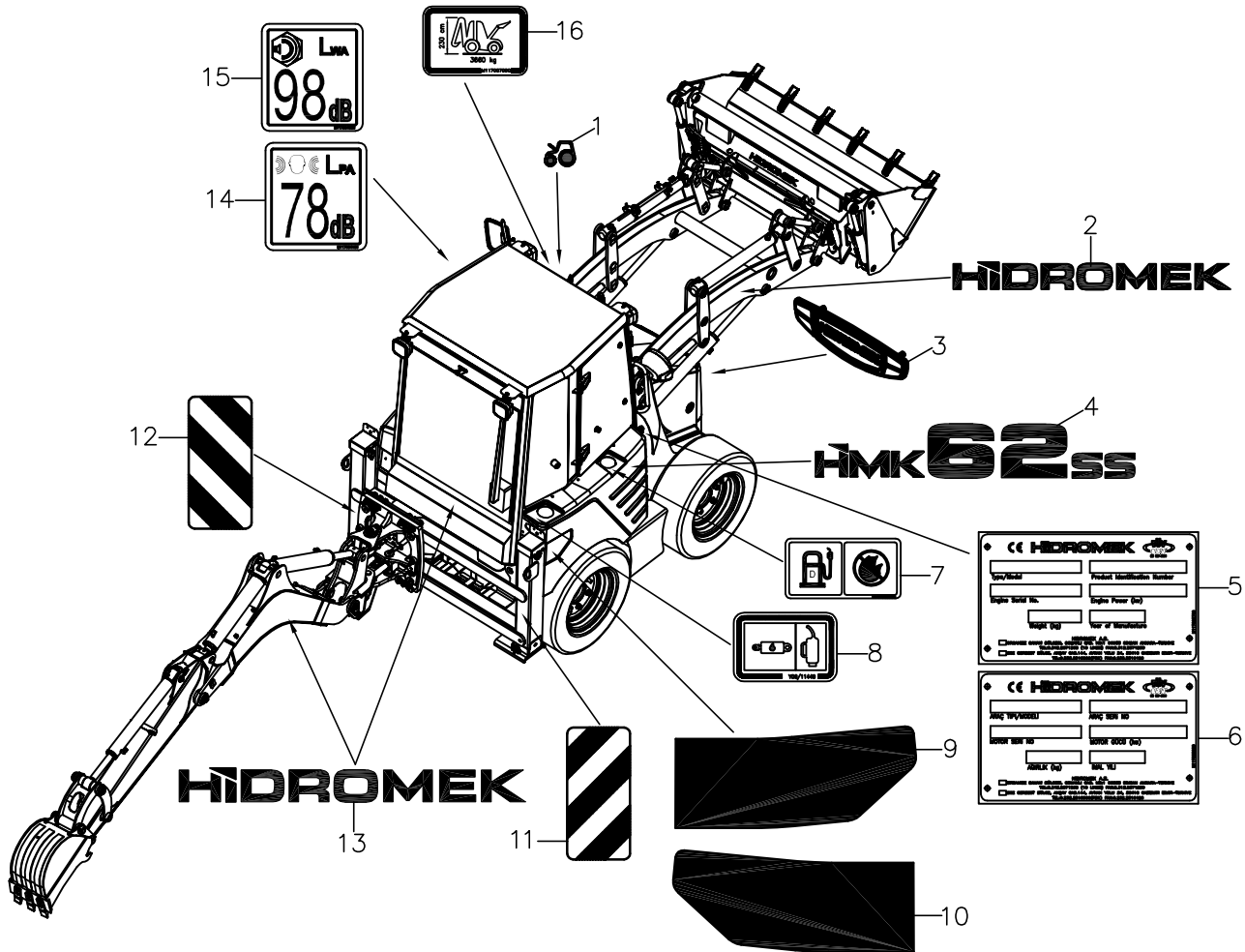
ET?KET , UYARI DECALS, WARNING



**ETİKETLER, UYARI
DECALS, WARNING**

NO NO	PARÇA NO PART NO	TANIM	DESCRIPTION	ADET QTY	S.K. S.C.	SERİ NO SERIAL NO	D.T. ICA	NOT NOTE
1	M117002800	ETİKET, HAVA FİLTRESİ UYAR,I TR	DECAL, WARNING, AIR FILTER, TR	1				
2	M117002700	ETİKET, HAVA FİLTRESİ UYARI, İNG	DECAL, WARNING, AIR FILTER, ENGLISH	1				
3	M117009400	EMNİYET KEMERİ UYARI ETİKETİ	DECAL, SEAT BELT	1				
4	M117007700	ETİKET, KULLANIM BAKIM KİTABI, TR	DECAL, OPERATING AND MAINTENANCE MANUAL	1				
5	M117007600	ETİKET, KAZICI İKAZ, SAG	DECAL, BACKHOE WARNING, RIGHT	1				
6	M117007500	ETİKET, KAZICI İKAZ, SOL	DECAL, BACKHOE WARNING, LEFT	1				
7	M117008600	AYAK İKAZ ETİKETİ	DECAL,WARNING, STABILISER	1				
8	M117002200	ETİKET, AKÜ DEVRE KESİCİ	DECAL,ACCUMULATOR POWER SWITCH	1				
9	Y06/11340	ETİKET, ELEKTRİK İKAZ	DECAL, ELECTRIC WARNING	1				
10	M117002500	ETİKET, YAKIT UYARI	DECAL,WARNING, FUEL	1				
11	M117008300	ETİKET, MOTOR İKAZ	DECAL, ENGINE WARNING	1				
12	M117002300	ETİKET, AKÜ İKAZ	DECAL, BATTERY	1				
13	M117007400	ETİKET, YÜKLEYİCİ KEPÇE İKAZ, SAG	DECAL, LOADER WARNING, RIGHT	1				
14	M117007300	ETİKET, YÜKLEYİCİ KEPÇE İKAZ, SOL	DECAL, LOADER WARNING, LEFT	1				
15	M117008500	ETİKET, MEKANİZMA İKAZ	DECAL, MECHANISM WARNING	1				
16	M117007200	ETİKET, EMNİYET SACI İKAZ	DECAL, SAFETY STRUT İKAZ	1				
17	M117008400	ETİKET, EMNİYETLİ KALDIRILAN YÜK	DECAL, SAFETY WORKING LOAD	1				
18	M117009500	EMNİYET KEMERİ UYARI ETİKETİ	DECAL, SEAT BELT	1				
19	M117002600	ETİKET, YAKIT UYARI, ING.	DECAL,WARNING, FUEL	1				

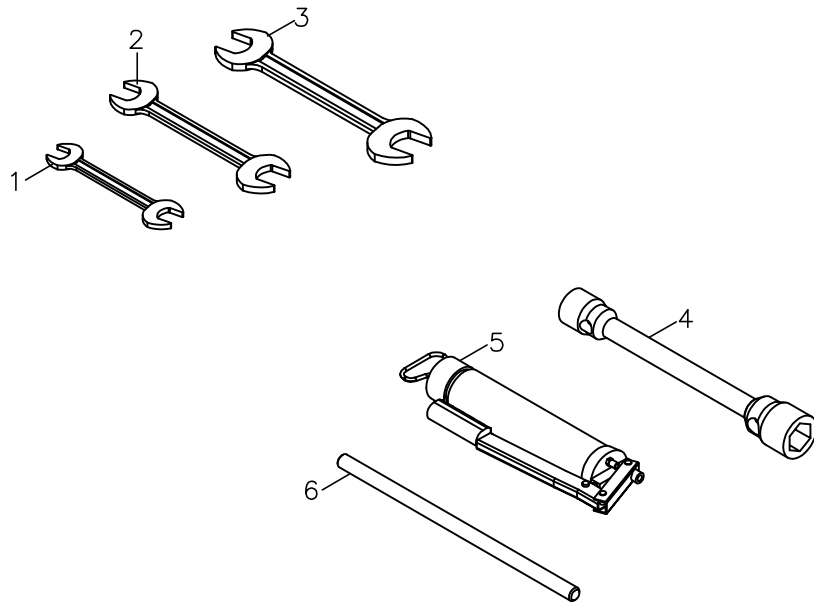
ET?KET VE LEVHALAR, MAK?NA MODEL? VE B?LG?
DECAL AND PLATES, MACHINE MODEL & INFORMATION



ETİKET VE LEVHALAR, MAKİNA MODELİ VE BİLGİ
DECAL AND PLATES, MACHINE MODEL & INFORMATION

NO NO	PARÇA NO PART NO	TANIM	DESCRIPTION	ADET QTY	S.K. S.C.	SERİ NO SERIAL NO	D.T. ICA	NOT NOTE
1	Y06/11395	ETİKET, KAPUT AÇMA KOLU	DECAL, BONNET LOCK/UNLOCK	1				
2	M117006000	ETİKET, "HİDROMEK"	DECAL, "HİDROMEK"	2				
3	Y06/20271	ETİKET, HMK , ÖN PANJUR	DECAL, HMK, GRILLE FRONT	1				
4	M117008000	ETİKET, "HMK62SS"	DECAL, "HMK62SS"	2				
5	M117003700	ETİKET, SASE, CE, YURTIÇİ	IDENTIFICATION PLATE, CE	1				
6	M117003500	ETİKET, SASE, CE- YURTDIŞI, ING	IDENTIFICATION PLATE, CE	1				
7	M117008900	ETİKET, YAKIT DEPOSU	DECAL, FUEL TANK	1				
8	Y06/11440	ETİKET, HİDROLİK YAĞ DEPOSU	DECAL, HYDRAULIC OIL TANK	1				
9	M117009000	REFLEKTÖR, SAG	REFLECTOR, RIGHT	1				
10	M117009100	REFLEKTÖR, SOL	REFLECTOR, LEFT	1				
11	M117009200	REFLEKTÖR, SAG	REFLECTOR, RIGHT	1				
12	M117009300	REFLEKTÖR, SOL	REFLECTOR, LEFT	1				
13	M117006100	ETİKET, "HİDROMEK"	DECAL, "HİDROMEK"	2				
14	M117004100	ETİKET, GÜRÜLTÜ, KABİN İÇİ	DECAL, NOISE, CAB INTERIOR	1				
15	M117004000	ETİKET, GÜRÜLTÜ, KABİN DIŞI	DECAL, NOISE, CAB EXTERIOR	1				
16	M117007000	ETİKET, MAKİNA BOYUTU	DECAL, DIMENSION	1				

AVADANLIK TAKIMI
TOOL KIT



AVADANLIK TAKIMI
TOOL KIT

NO NO	PARÇA NO PART NO	TANIM	DESCRIPTION	ADET QTY	S.K. S.C.	SERİ NO SERIAL NO	D.T. ICA	NOT NOTE
	* M117300100							
1	Y08/01218	ANAHTAR AÇIKAĞIZ 18-19	SPANNER 18-19	1				
2	Y08/01224	ANAHTAR AÇIKAĞIZ 24-27	SPANNER 24-27	1				
3	Y08/01230	ANAHTAR AÇIKAĞIZ 30-32	SPANNER 30-32	1				
4	Y08/01828	BİJON ANAHTARI, HMK 27-32, KOLSUZ	WRENCH- WHEEL	1				
5	Y08/99122	GRES POMPASI,HORTUM UÇLU, 500 cl.	GREASE, GUN	1				
6	Y08/01852	BİJON SIKMA ANAHTARI KOLU	WRENCH- WHEEL	1				